

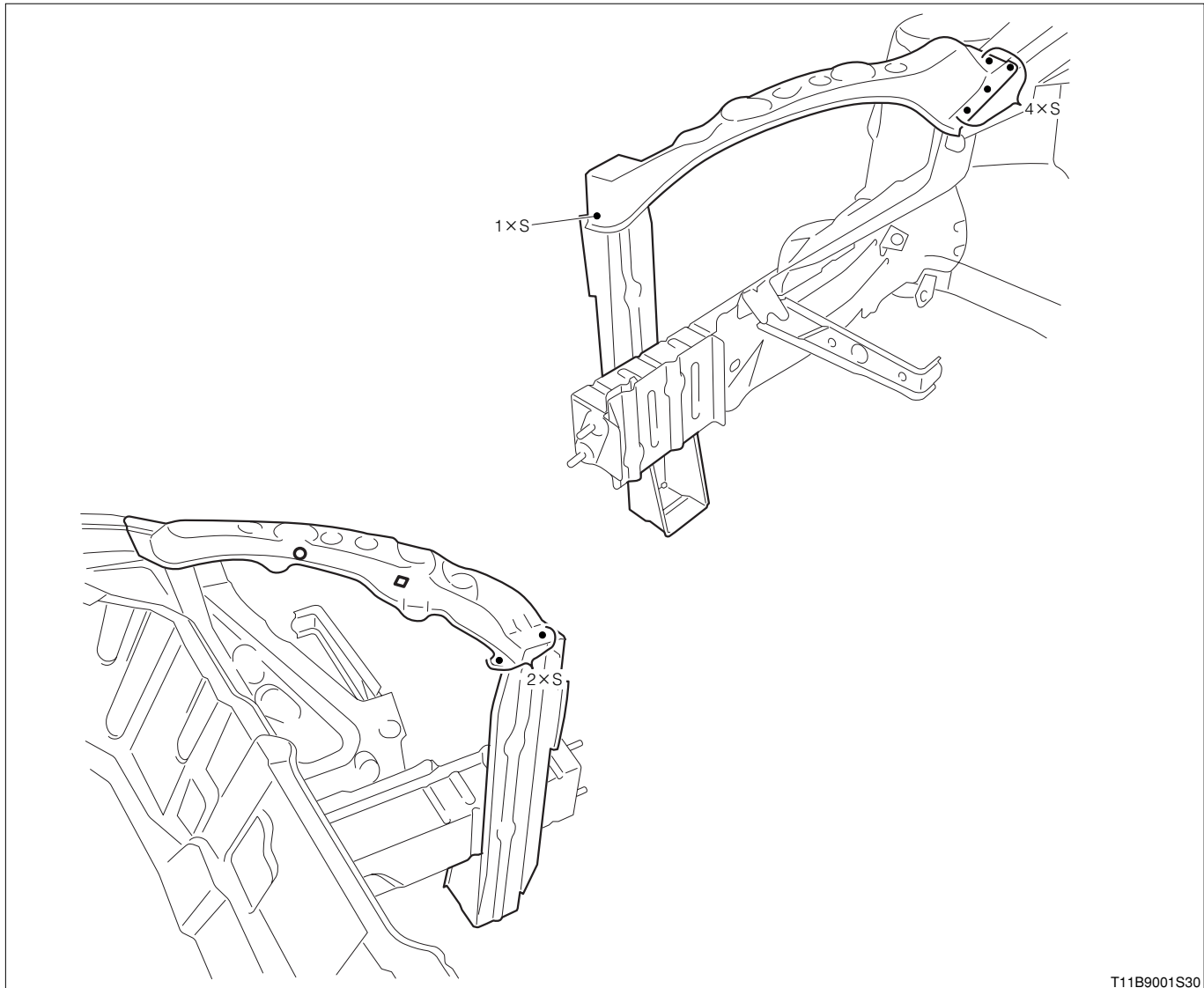
## C REPLACEMENT PROCEDURE FOR BODY PANELS

RADIATOR SUPPORT UPPER-----	C - 1
REPLACEMENT -----	C - 1
RADIATOR SUPPORT SIDE-----	C - 4
REPLACEMENT -----	C - 4
FRONT FENDER APRON FRONT -----	C - 6
REPLACEMENT -----	C - 6
FRONT FENDER APRON-----	C - 10
REPLACEMENT -----	C - 10
FRONT SIDE MEMBER-----	C - 14
REPLACEMENT (CUTTING) -----	C - 14
REPLACEMENT -----	C - 18
COWL TOP SIDE PANEL -----	C - 20
REPLACEMENT -----	C - 20
FRONT BODY PILLAR-----	C - 22
REPLACEMENT -----	C - 22
CENTER BODY PILLAR-----	C - 26
REPLACEMENT -----	C - 26
ROCKER PANEL OUTER-----	C - 29
REPLACEMENT (CUTTING) -----	C - 29
REPLACEMENT -----	C - 31
QUARTER PANEL-----	C - 33
REPLACEMENT -----	C - 33
QUARTER WHEEL HOUSE PANEL OUTER -----	C - 37
REPLACEMENT -----	C - 37
QUARTER PANEL EXTENSION REAR -	C - 41
REPLACEMENT -----	C - 41
BODY LOWER BACK PANEL-----	C - 43
REPLACEMENT (CUTTING) -----	C - 43
REPLACEMENT (CUTTING ON ONE SIDE)-----	C - 47
REAR FLOOR CROSS MEMBER REINFORCEMENT NO.2-----	C - 52
REPLACEMENT -----	C - 52
REAR FLOOR SIDE PANEL EXTENSION FRONT -----	C - 54
REPLACEMENT -----	C - 54
REAR FLOOR PAN -----	C - 56
REPLACEMENT (CUTTING) -----	C - 56
REPLACEMENT -----	C - 59
REAR FLOOR CROSS MEMBER NO.2-	C - 62
REPLACEMENT -----	C - 62
REAR FLOOR MOUNTING BRACKET NO.2-----	C - 64
REPLACEMENT -----	C - 64
ROOF PANEL-----	C - 68
REPLACEMENT -----	C - 68

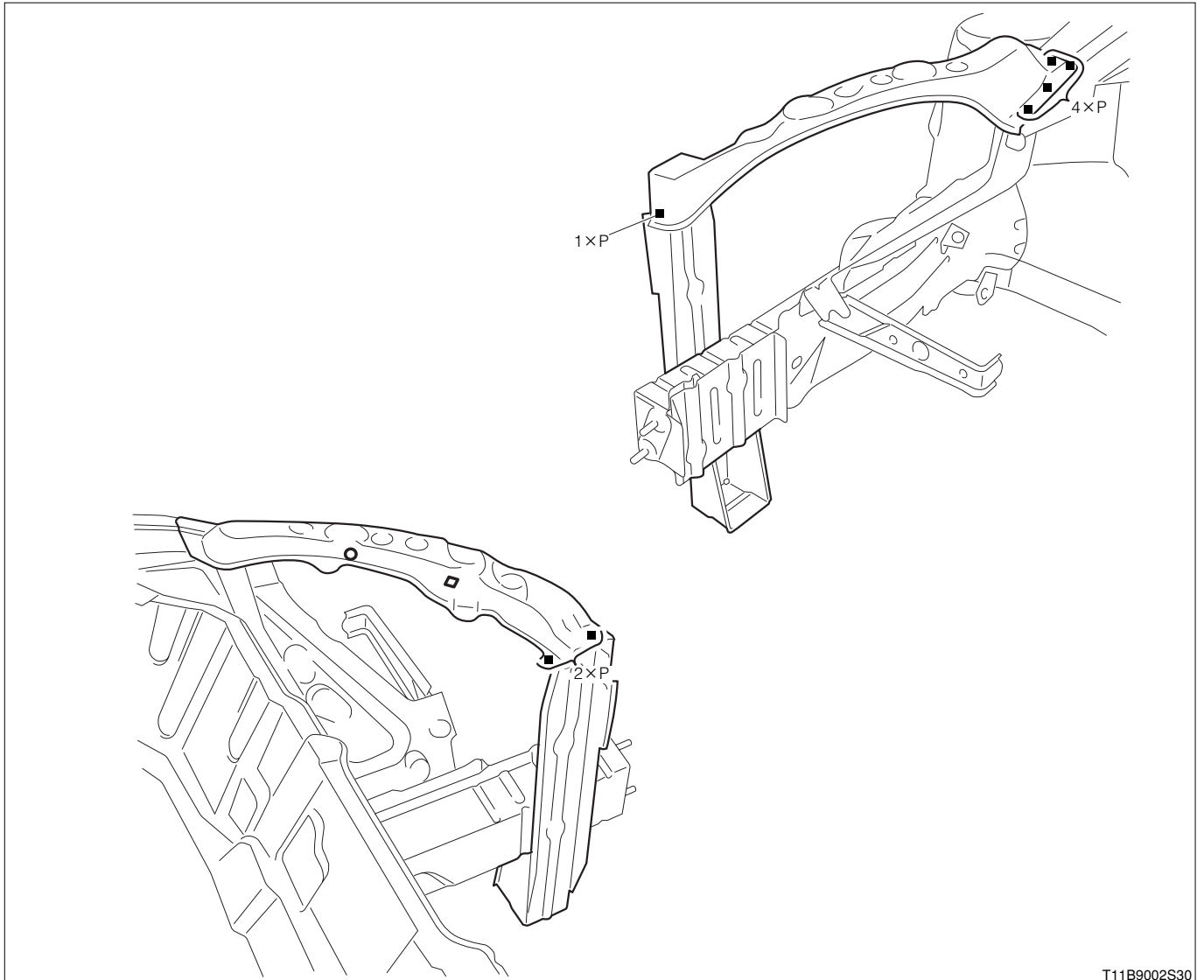
## 1 RADIATOR SUPPORT UPPER

### 1-1 REPLACEMENT

#### 1-1-1 REMOVAL PROCEDURES

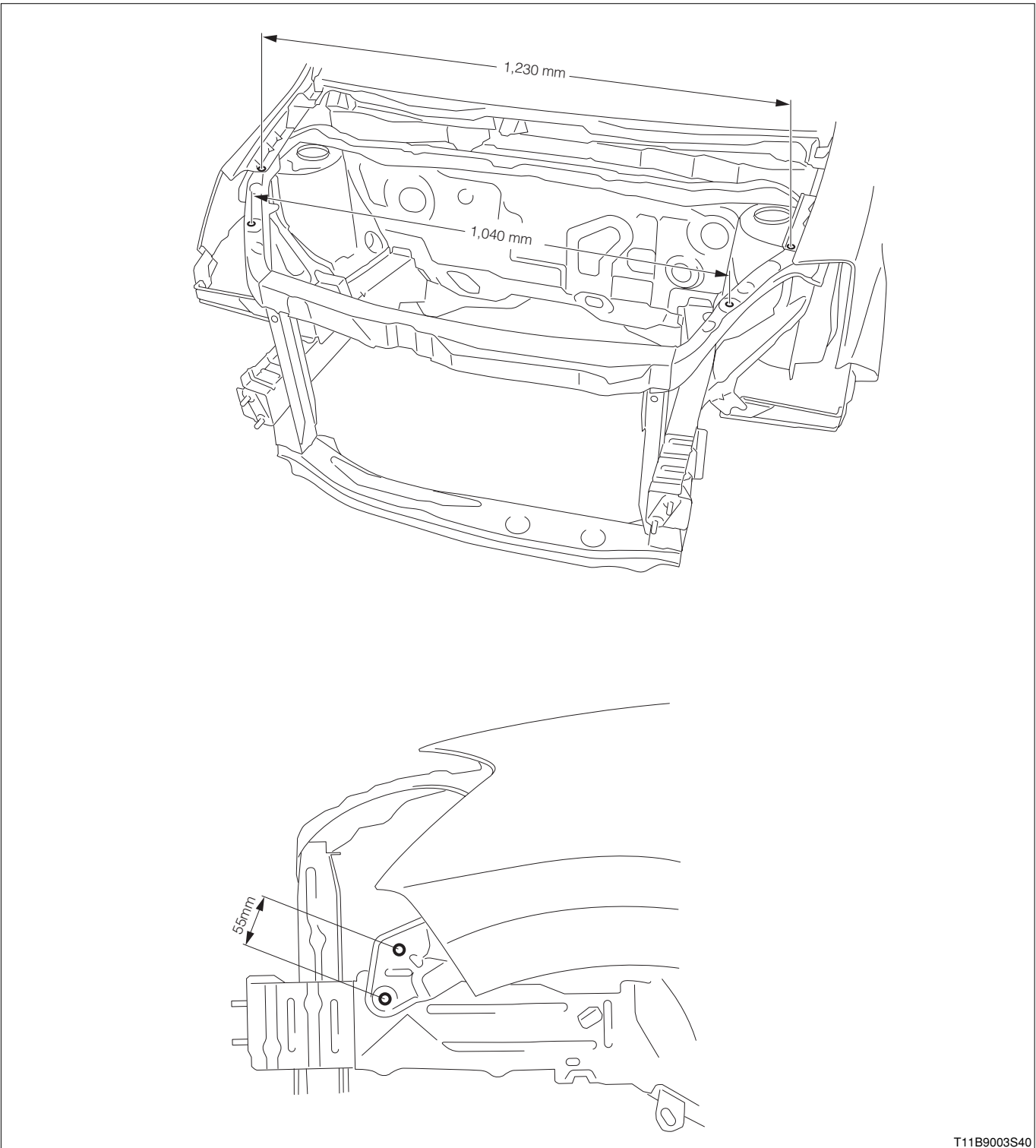


1-1-2 INSTALLATION PROCEDURES



T11B9002S30

1. Remove the part or component to be exchanged from the service parts and install to the vehicle.



T11B9003S40

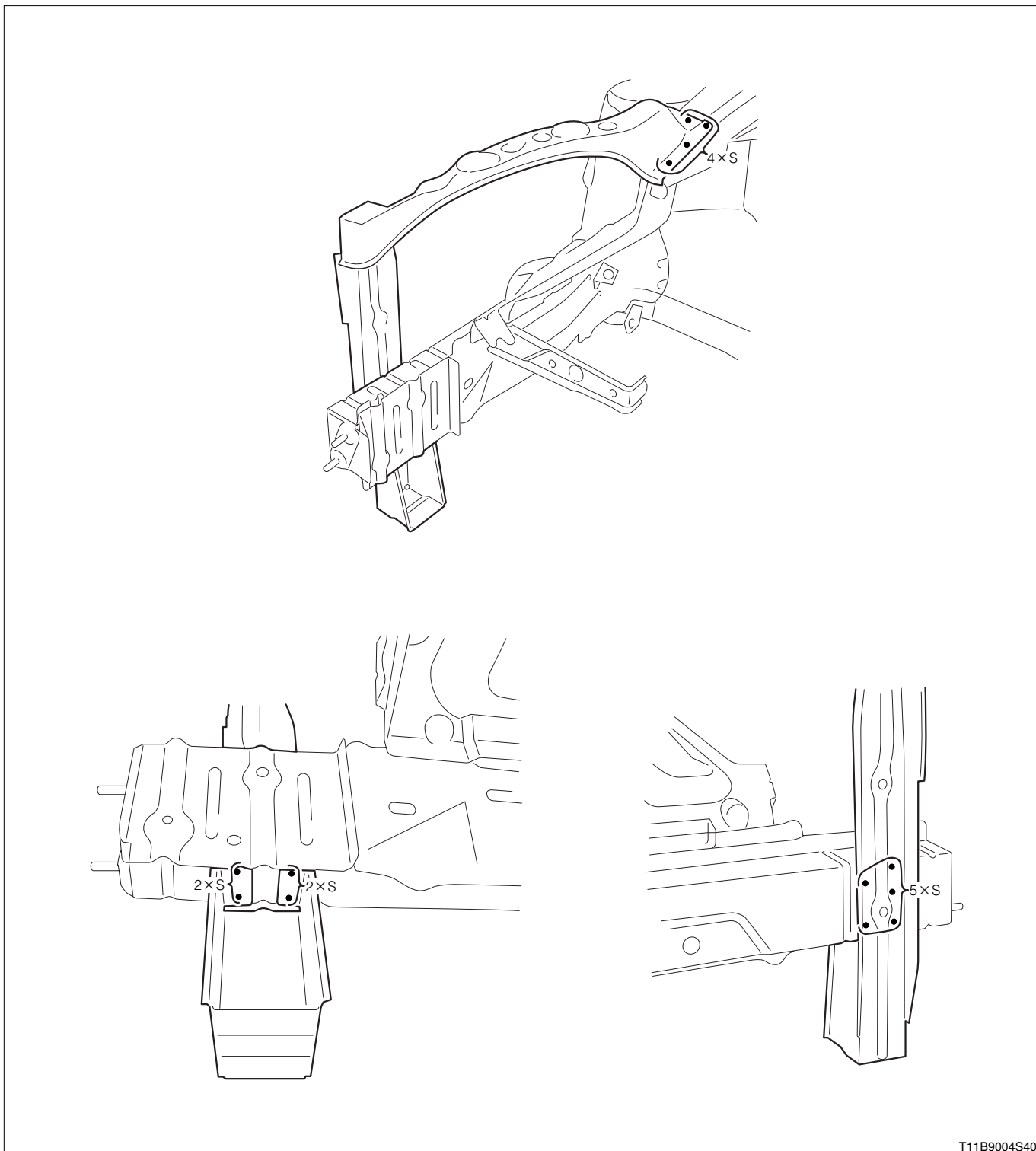
The figures are reference values.

2. Measure dimensions of the head lamp mounting hole before installing replacement parts.

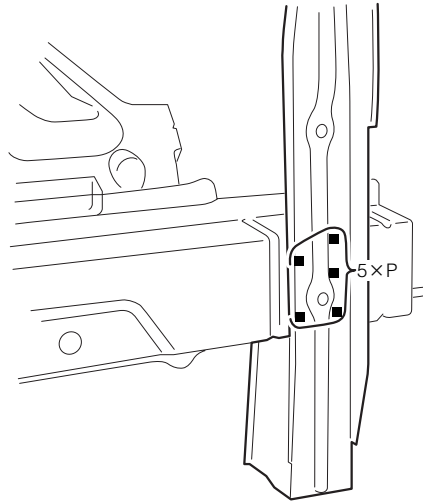
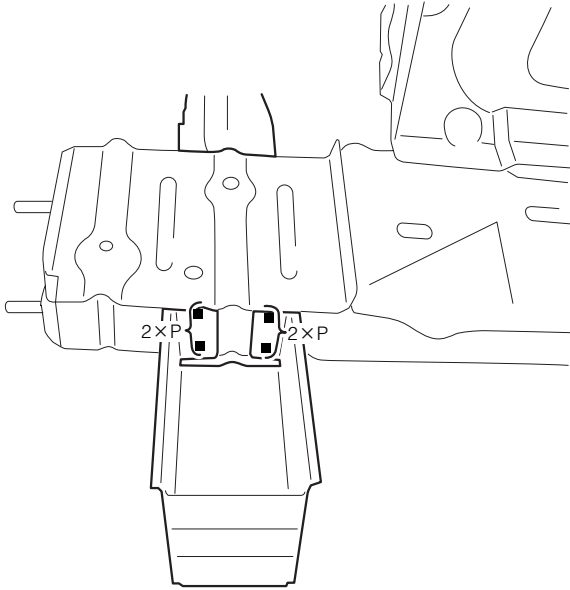
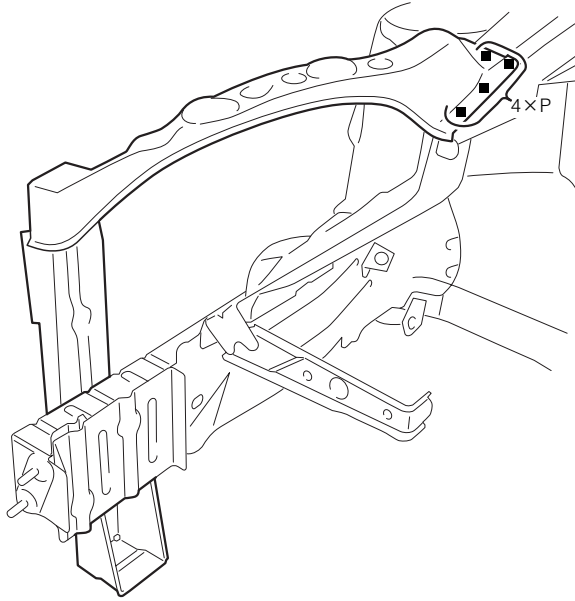
## 2 RADIATOR SUPPORT SIDE

### 2-1 REPLACEMENT

#### 2-1-1 REMOVAL PROCEDURES



## 2-1-2 INSTALLATION PROCEDURES



### 3 FRONT FENDER APRON FRONT

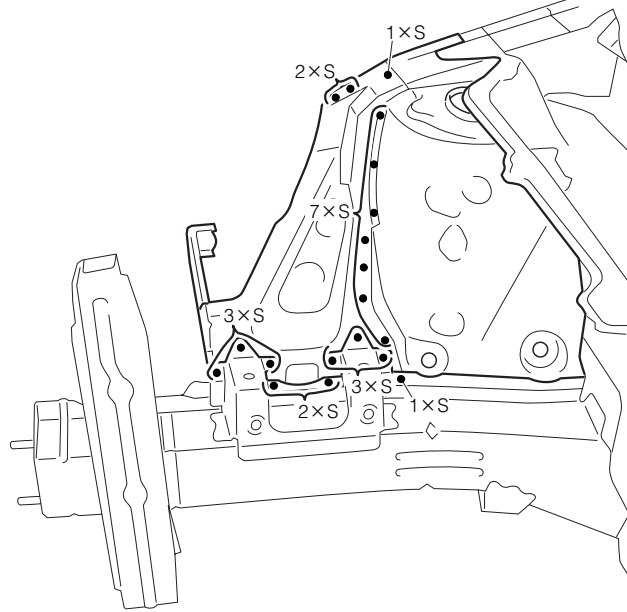
#### 3-1 REPLACEMENT

##### 3-1-1 OPERATION BEFORE REMOVAL

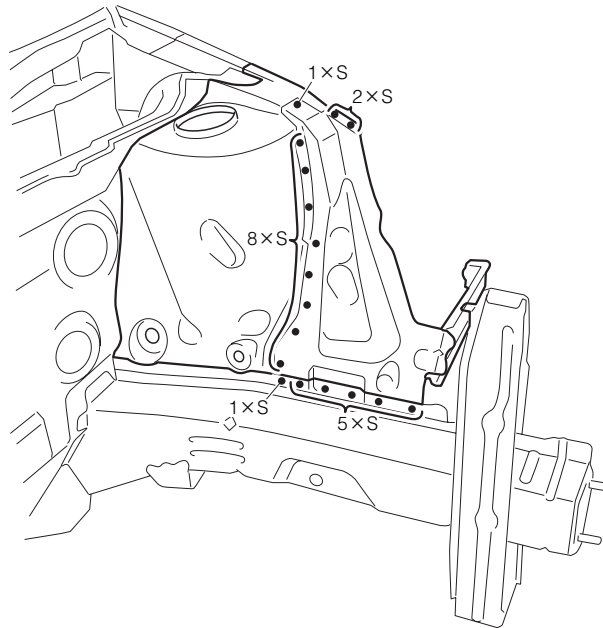
1. Remove the part or component to be exchanged from the radiator support upper.

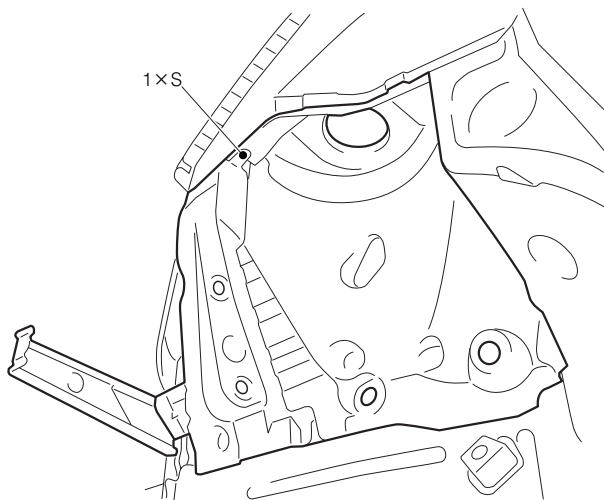
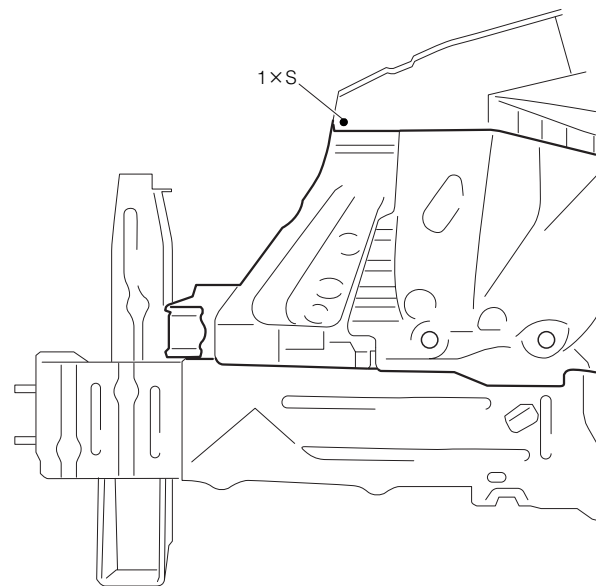
##### 3-1-2 REMOVAL PROCEDURES

[RH]



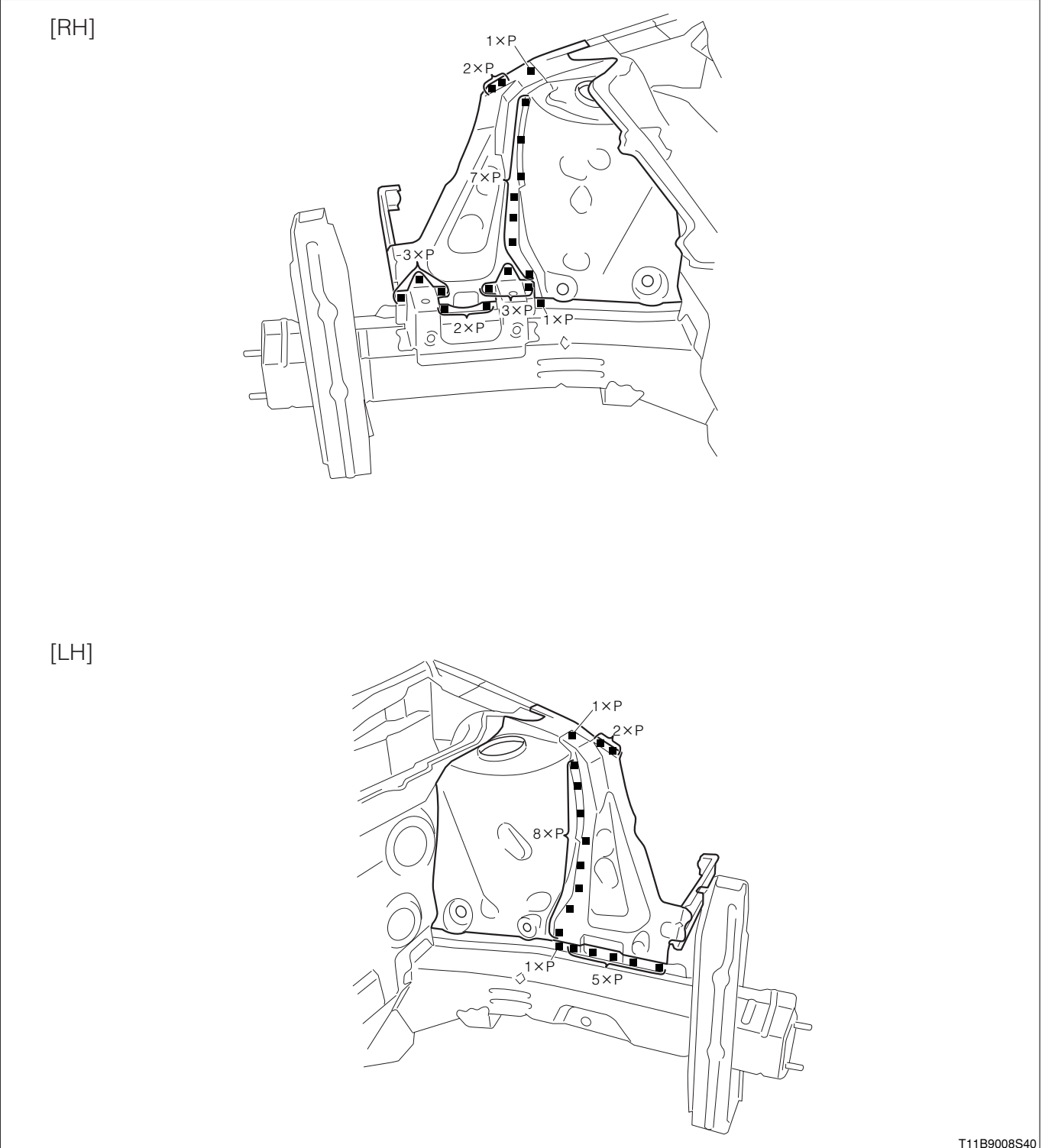
[LH]



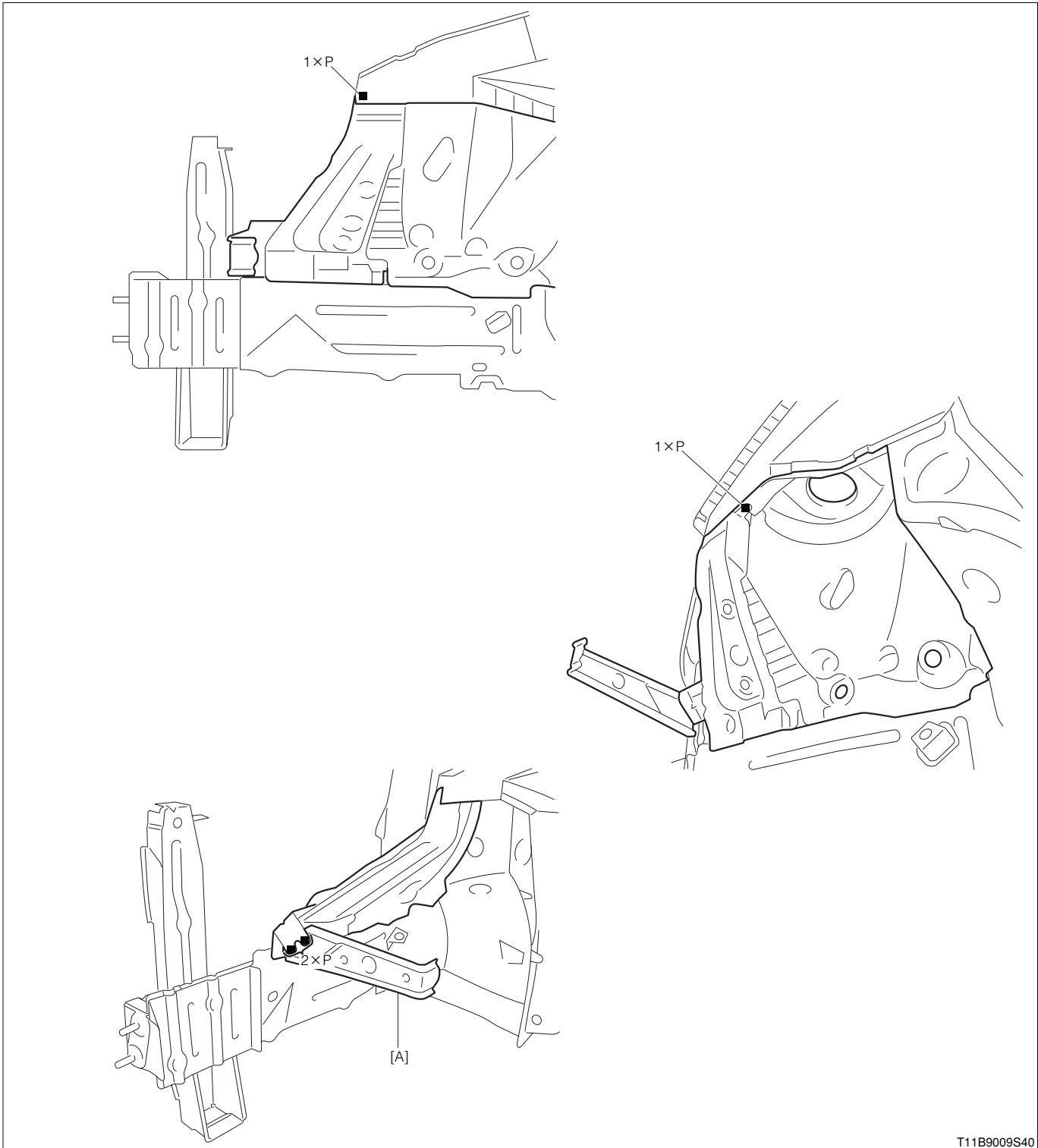




3-1-3 INSTALLATION PROCEDURES



1.Remove the part or component to be exchanged from the service parts and install to the vehicle.



T11B9009S40

[A] Front fender mounting bracket

### 3-1-4 OPERATION AFTER INSTALLATION

1. Install the radiator support upper.

## 4 FRONT FENDER APRON

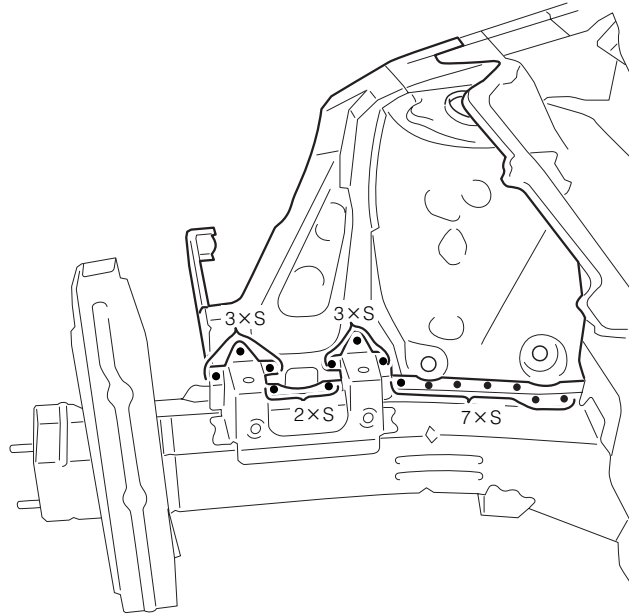
### 4-1 REPLACEMENT

#### 4-1-1 OPERATION BEFORE REMOVAL

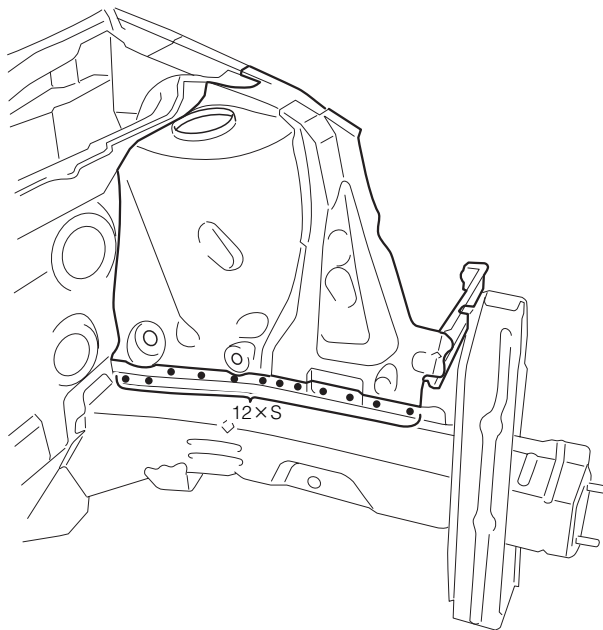
1. Remove the part or component necessary to remove the radiator support upper.
2. Remove the part or component necessary to remove the cowl top side panel.

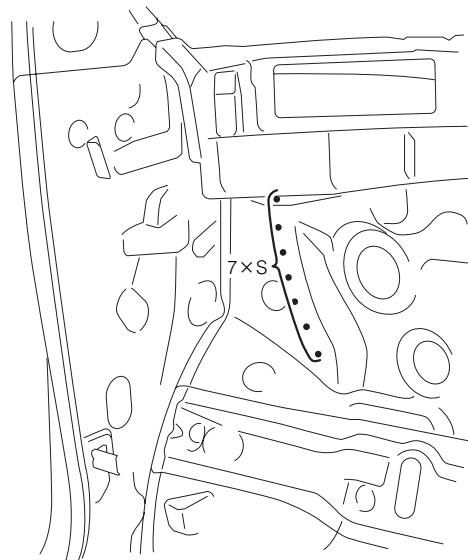
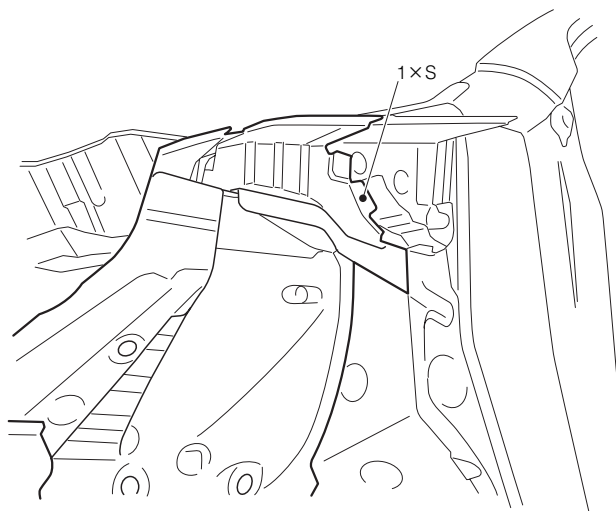
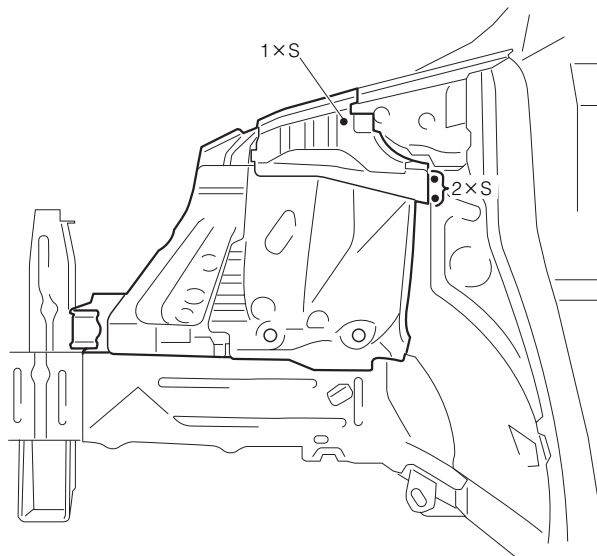
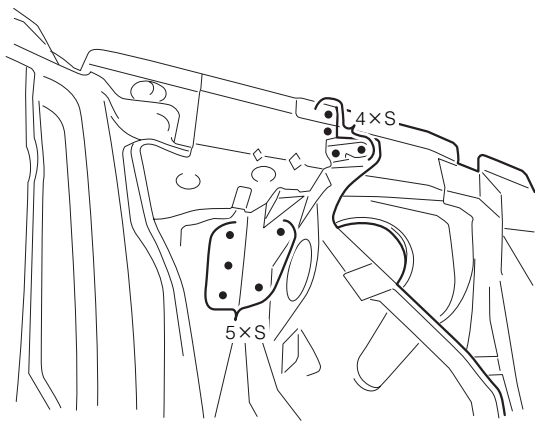
#### 4-1-2 REMOVAL PROCEDURES

[RH]



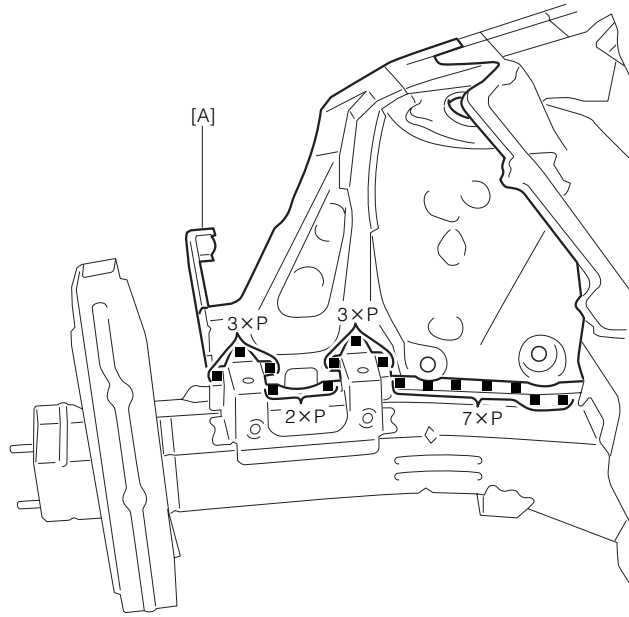
[LH]



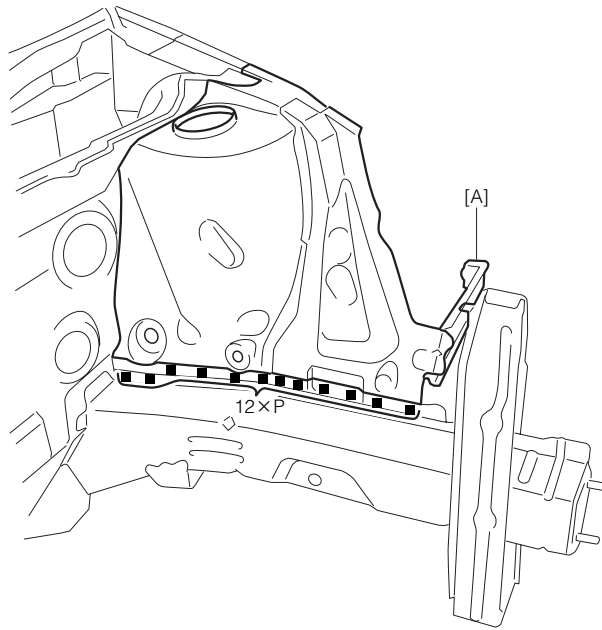


4-1-3 INSTALLATION PROCEDURES

[RH]

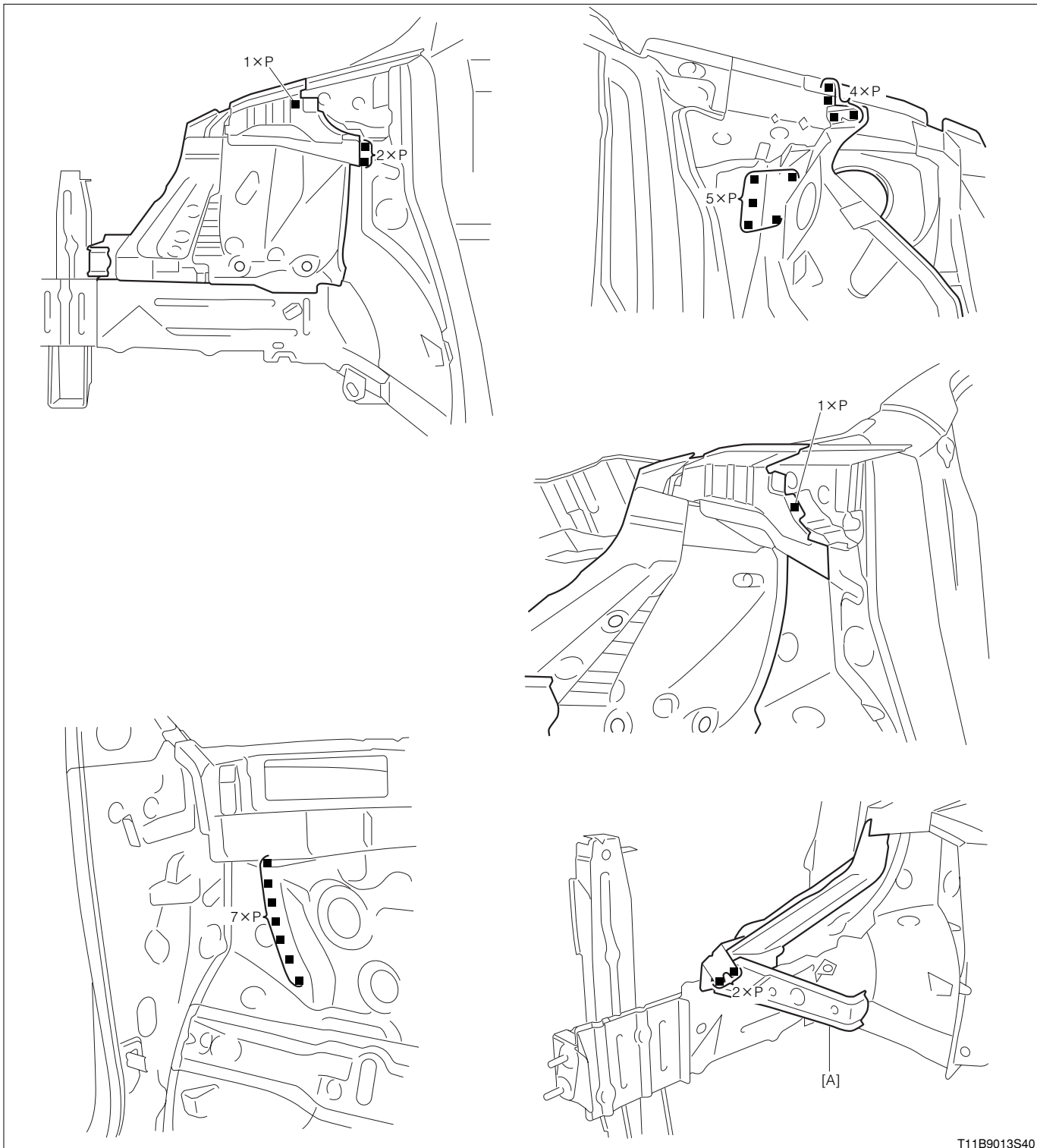


[LH]



T11B9012S40

[A] Front fender mounting bracket



T11B9013S40

[A] Front fender mounting bracket

## 4-1-4 OPERATION AFTER INSTALLATION

1. Install the cowl top side panel.
2. Install the radiator support upper.

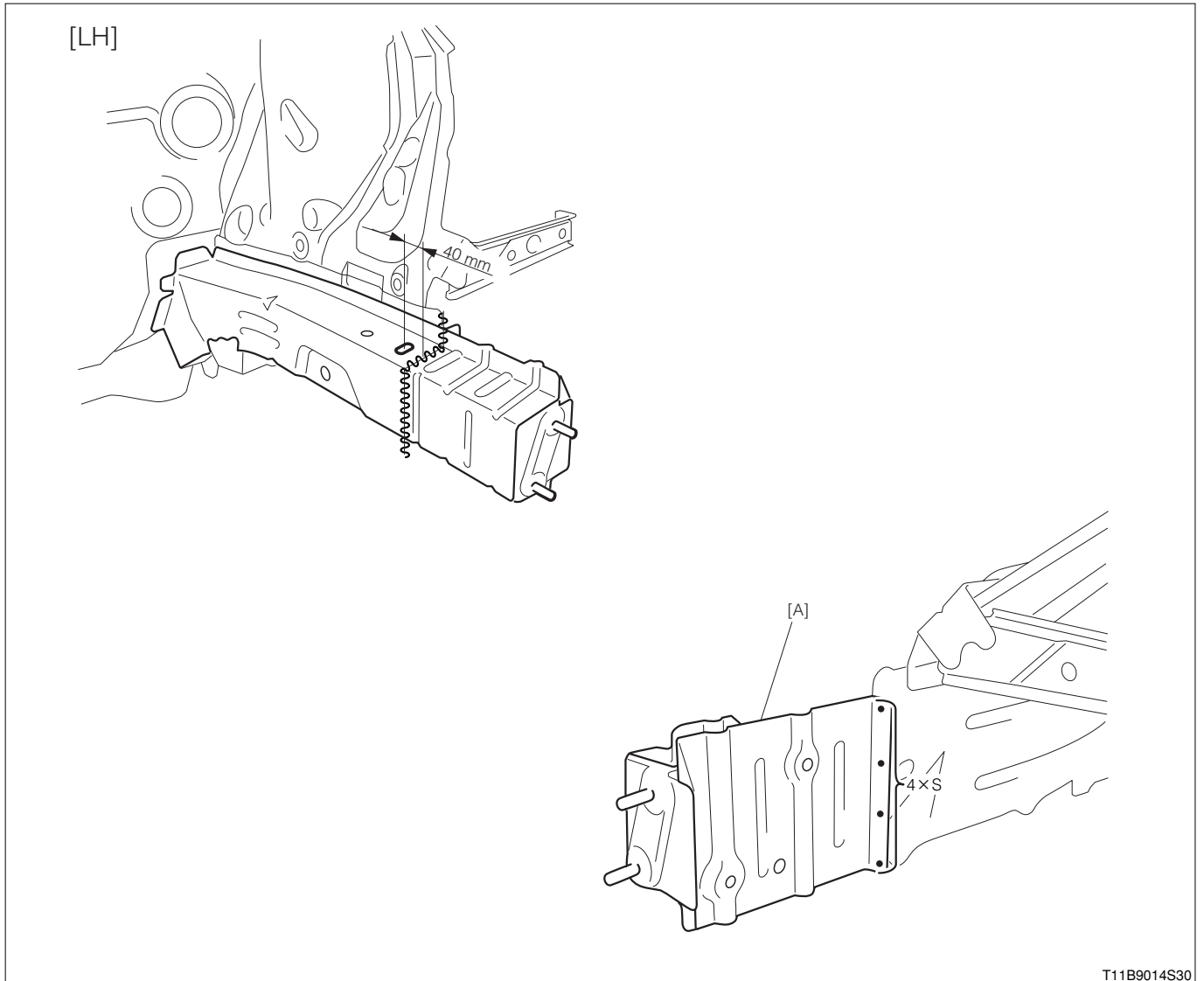
## 5 FRONT SIDE MEMBER

### 5-1 REPLACEMENT

#### 5-1-1 OPERATION BEFORE REMOVAL

- 1.Remove the necessary part or component of the radiator support side.

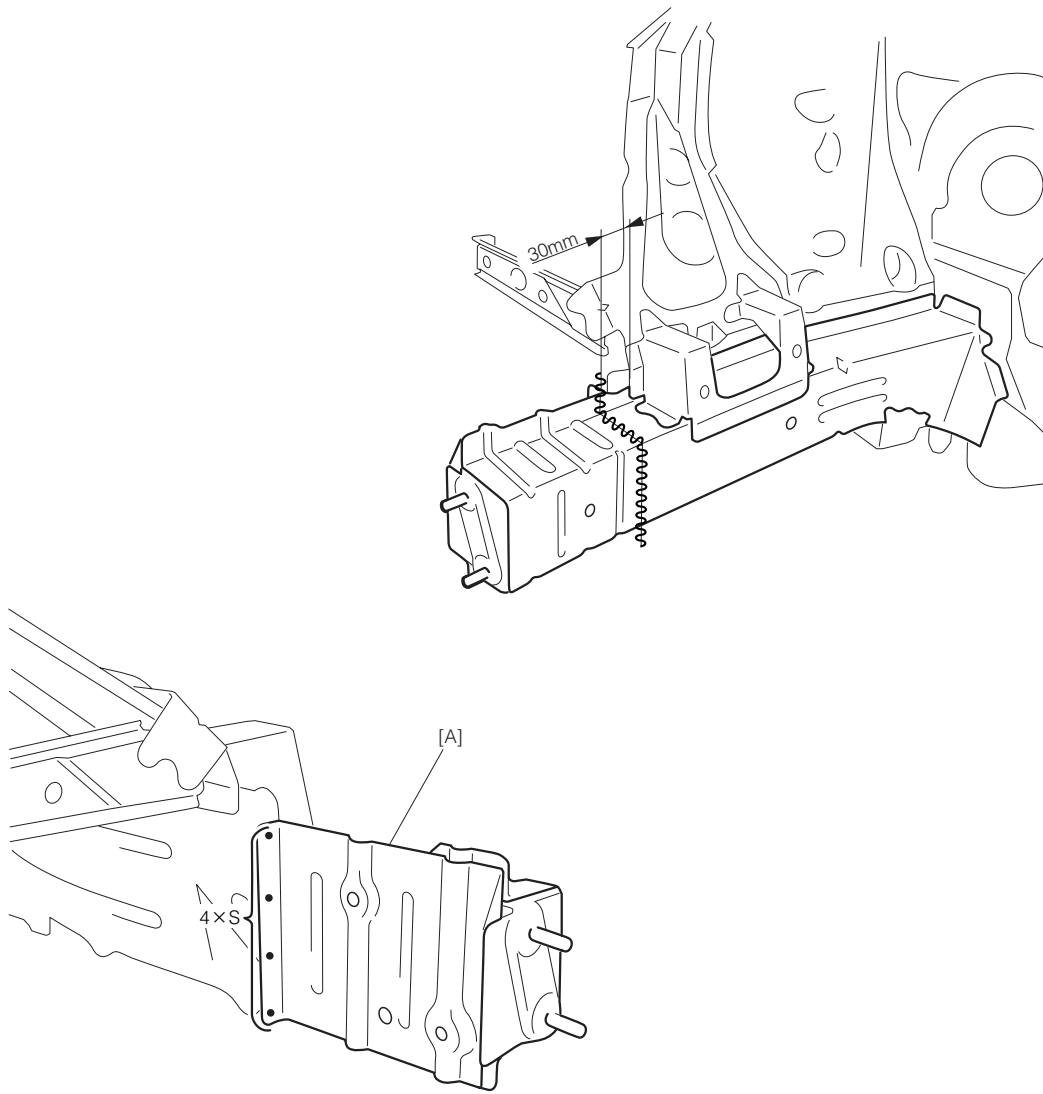
#### 5-1-2 REMOVAL PROCEDURES



[A] Front side member plate No.2

- 1.Remove [A] together.

[RH]

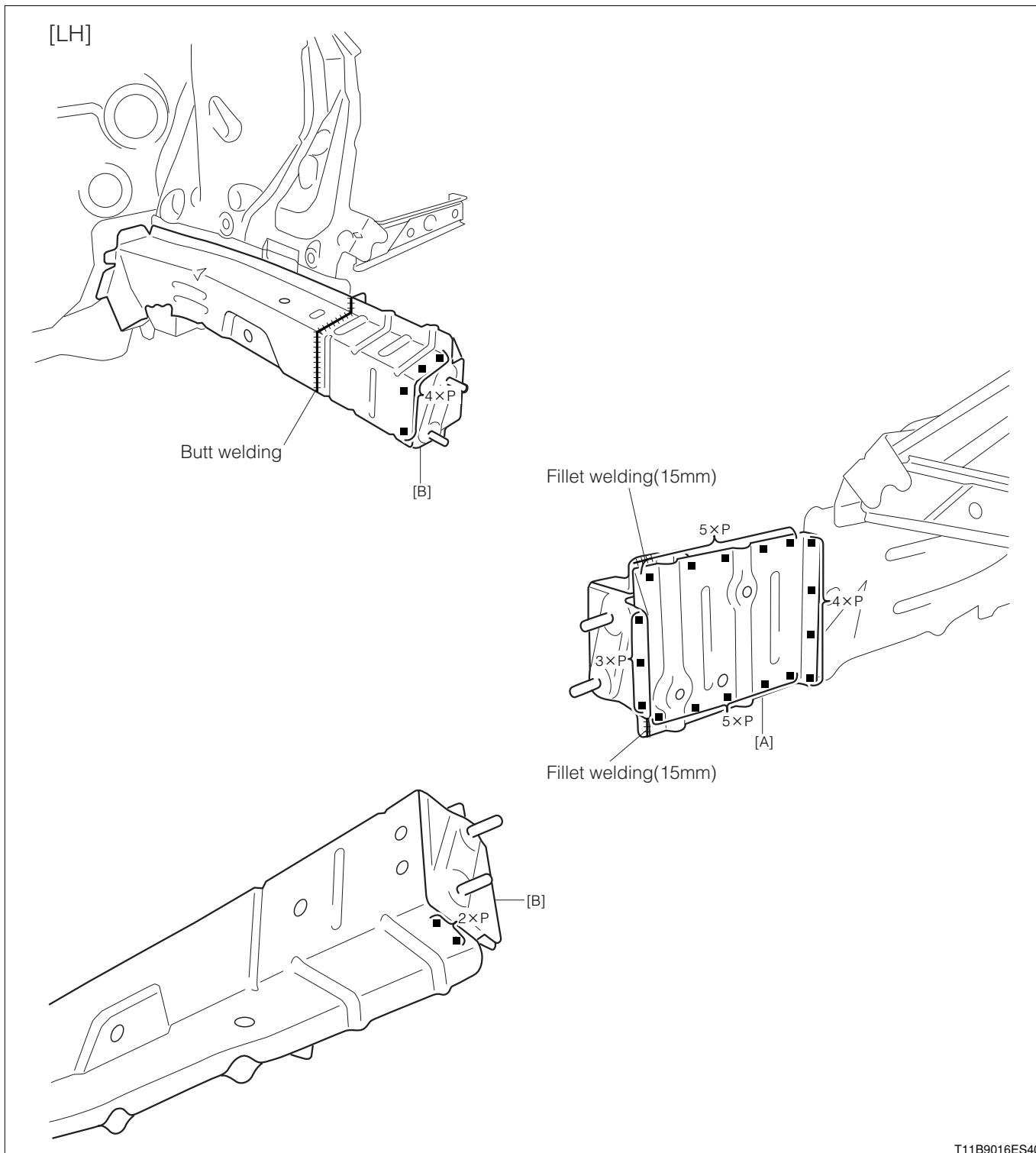


T11B9015S30

- [A] Front side member plate No.2  
2.Remove [A] together.

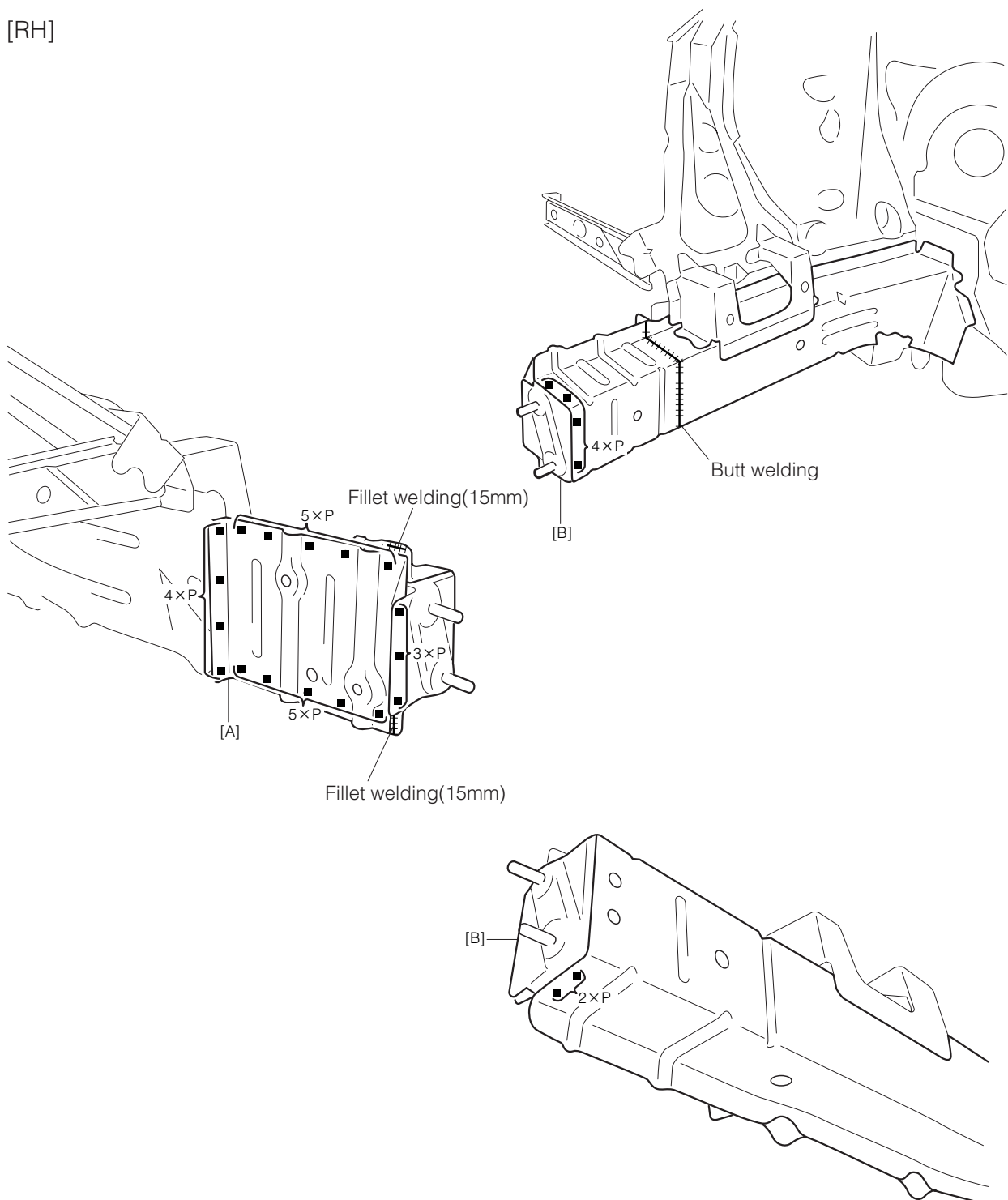


5-1-3 INSTALLATION PROCEDURES



- [A] Front side member plate No.2
- [B] Front bumper arm

[RH]



T11B9017ES40

[A] Front side member plate No.2

[B] Front bumper arm

## 5-1-4 OPERATION AFTER INSTALLATION

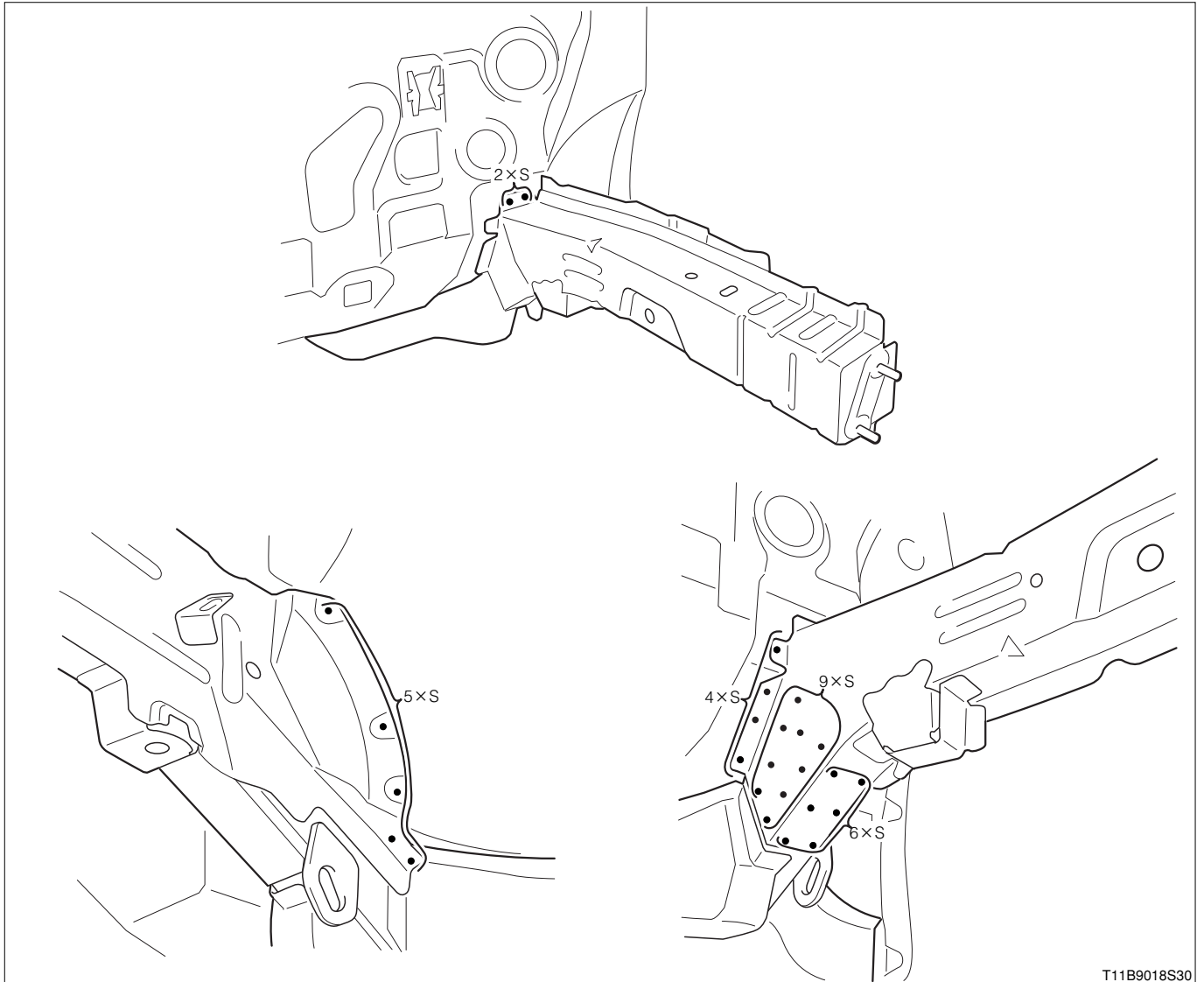
1. Install the radiator support side.

## 5-2 REPLACEMENT

### 5-2-1 OPERATION BEFORE REMOVAL

- 1.Remove the necessary part or component of the radiator support side.
- 2.Remove the necessary part or component of the front fender apron.

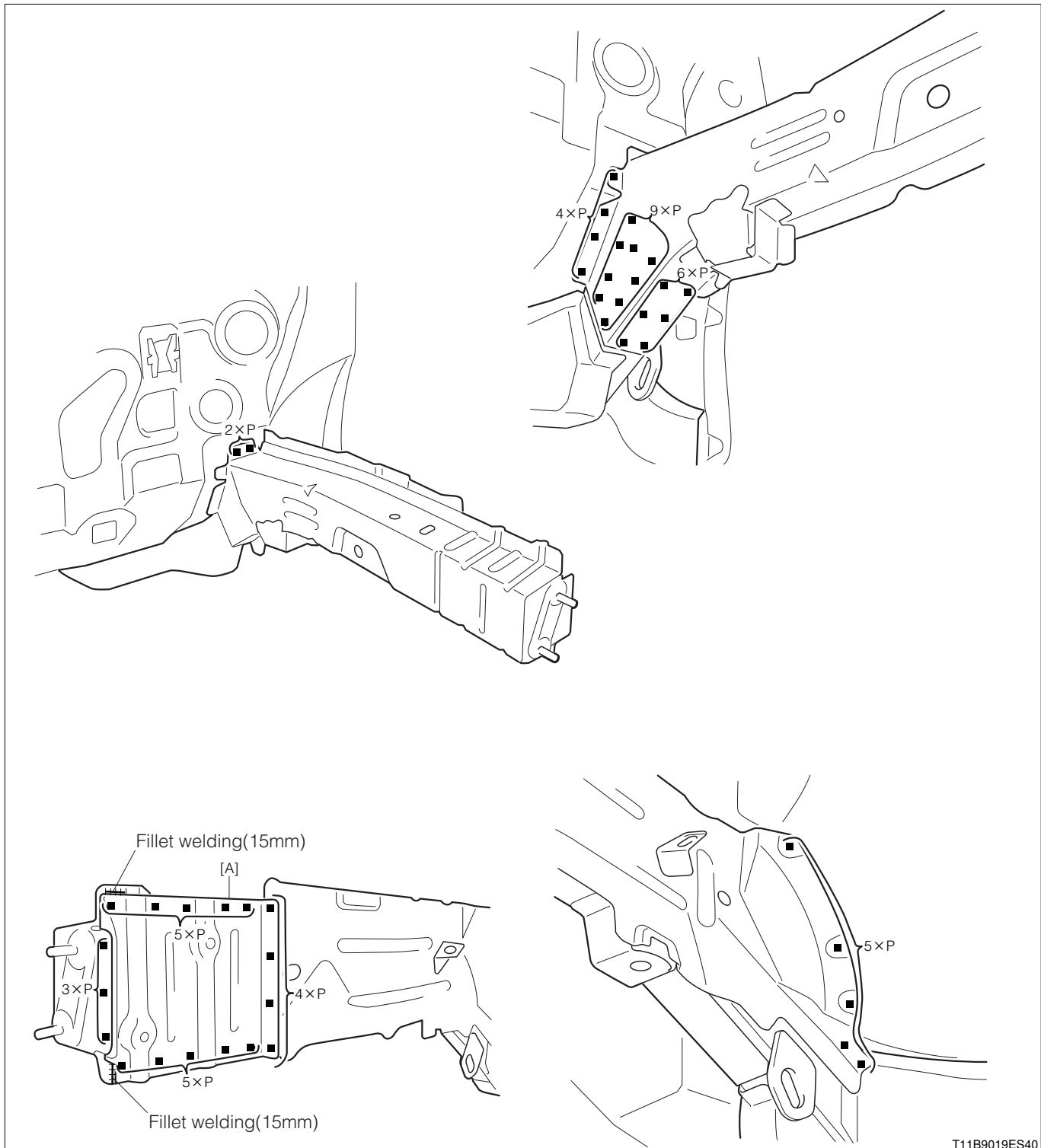
### 5-2-2 REMOVAL PROCEDURES



T11B9018S30

- 1.Replace the front side member while retaining the rear section of it on the vehicle side.

## 5-2-3 INSTALLATION PROCEDURES



[A] Front side member plate No.2

1.Remove the part or component to be exchanged from the replacement parts and install to the vehicle.

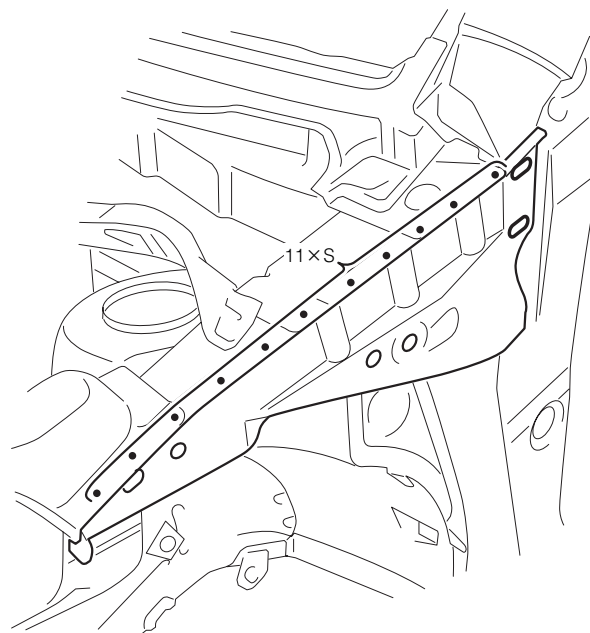
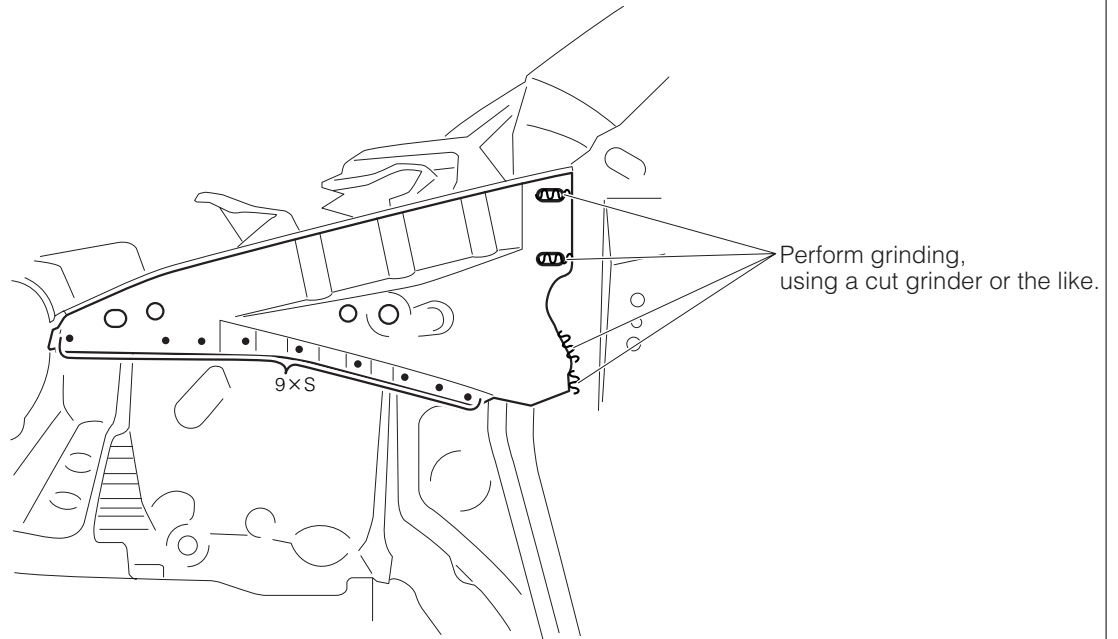
### 5-2-4 OPERATION AFTER INSTALLATION

- 1.Install the front fender apron.
- 2.Install the radiator support side.

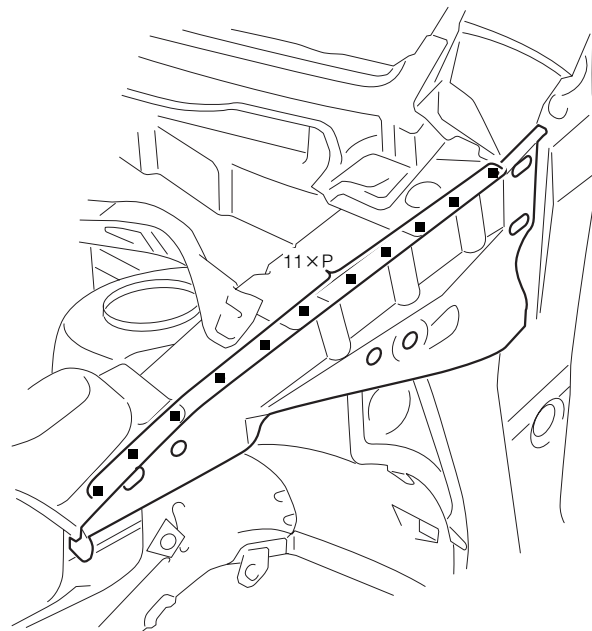
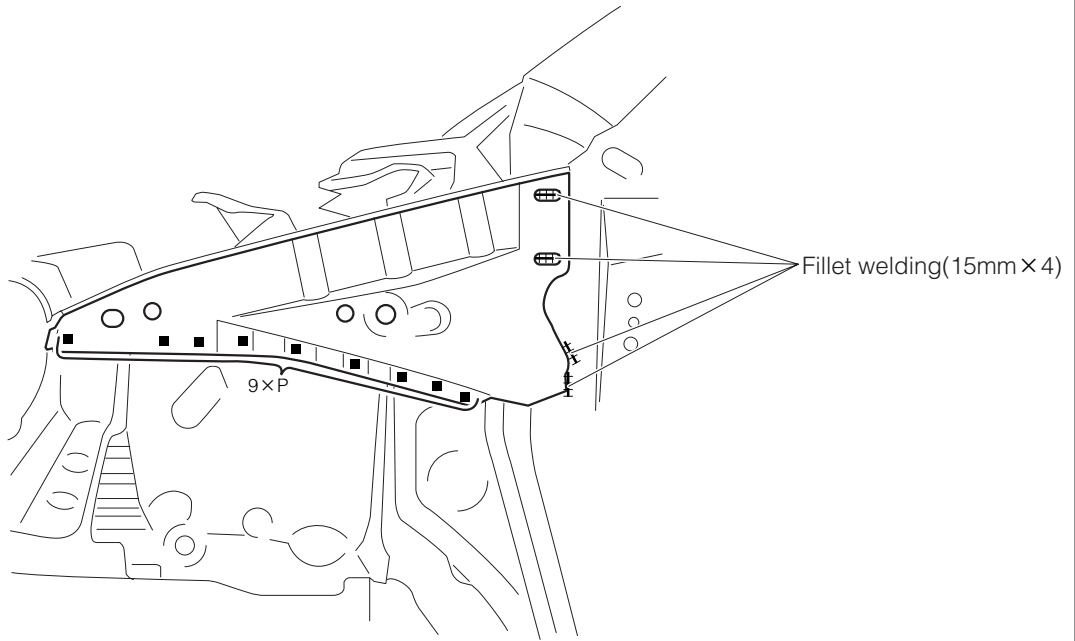
# 6 COWL TOP SIDE PANEL

## 6-1 REPLACEMENT

### 6-1-1 REMOVAL PROCEDURES



## 6-1-2 INSTALLATION PROCEDURES



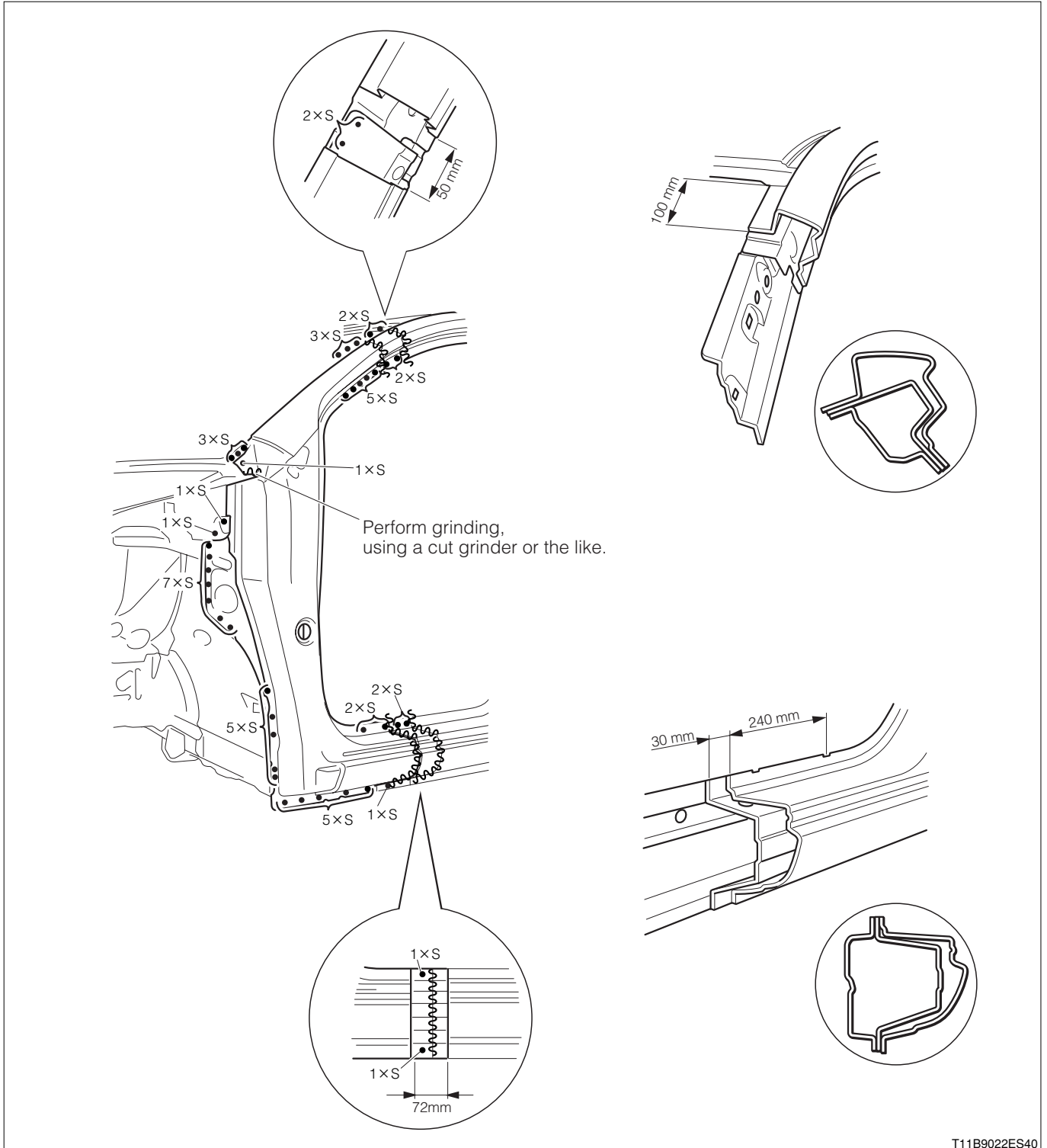
# 7 FRONT BODY PILLAR

## 7-1 REPLACEMENT

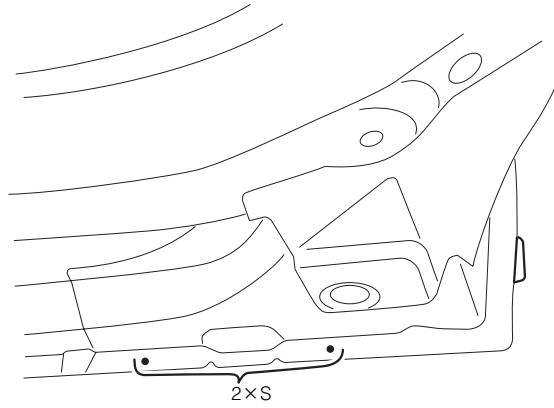
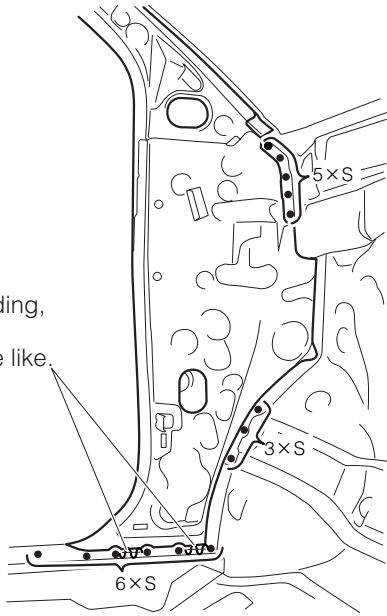
### 7-1-1 OPERATION BEFORE REMOVAL

1.Remove the necessary part or component of the cowl top side panel.

### 7-1-2 REMOVAL PROCEDURES

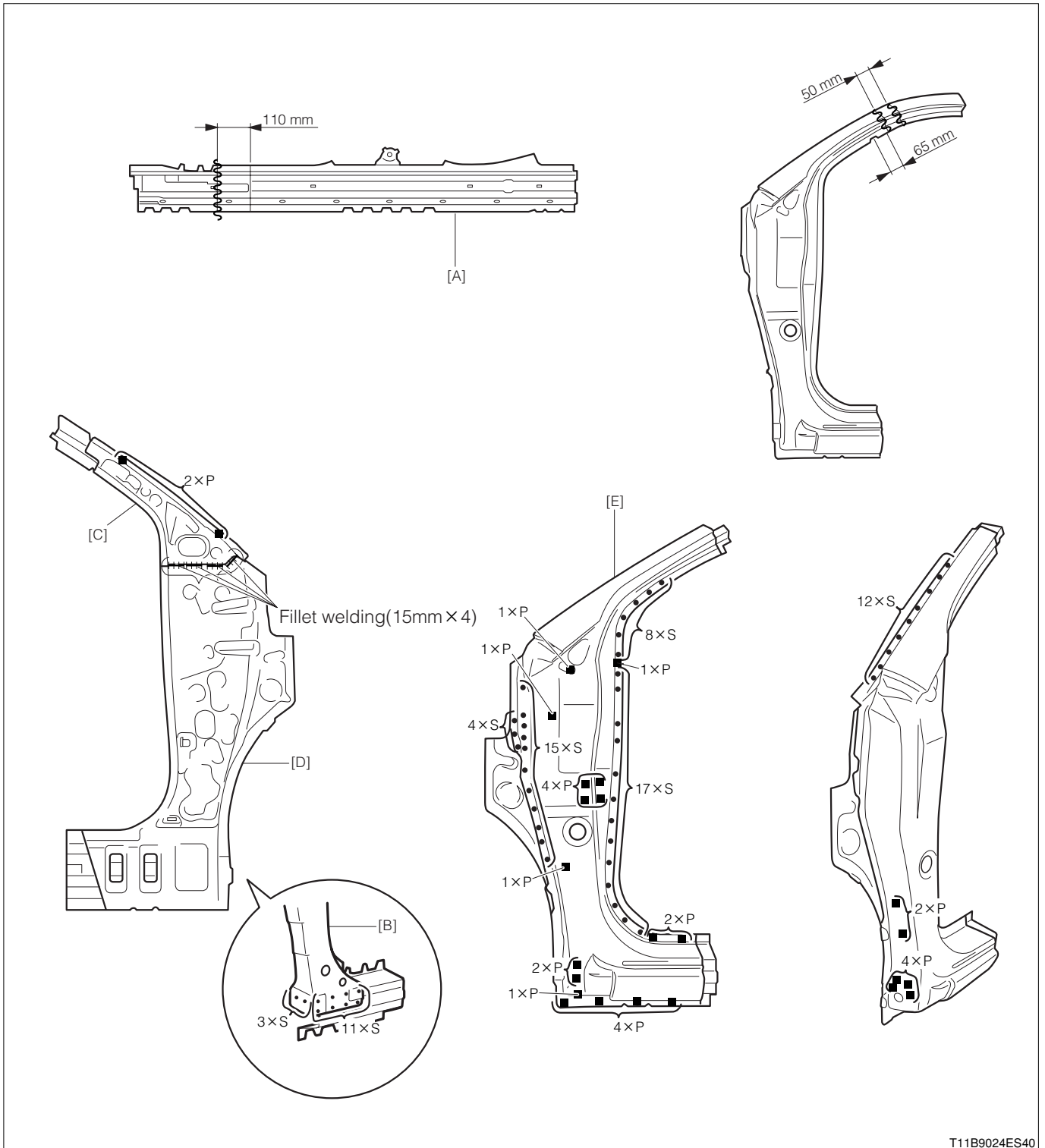


Perform grinding,  
using a cut  
grinder or the like.





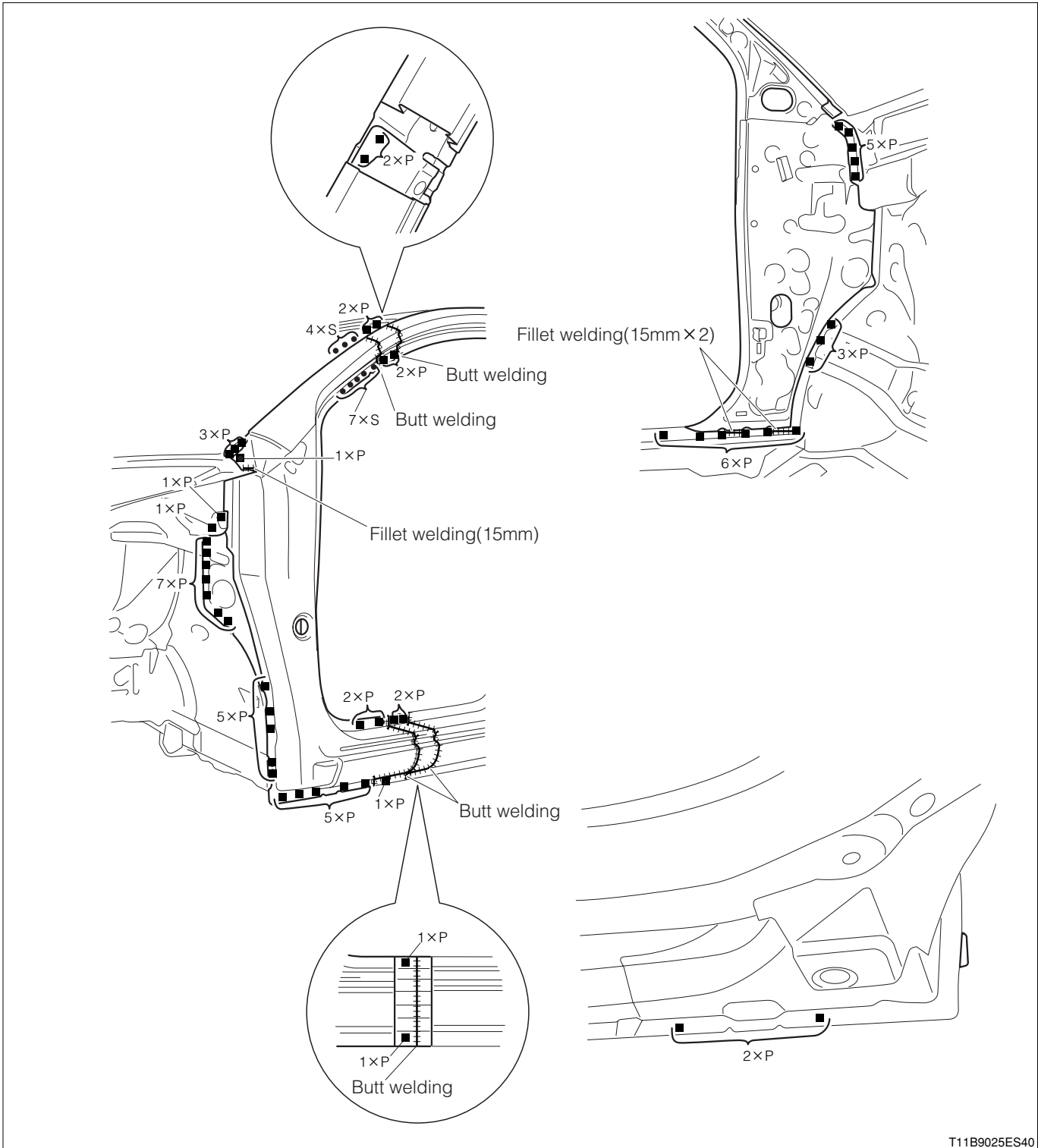
7-1-3 INSTALLATION PROCEDURES



T11B9024ES40

- [A] Rocker panel reinforcement
- [B] Front pillar reinforcement lower
- [C] Front pillar upper inner
- [D] Front pillar inner
- [E] Outer panel

1. Provide the specified number of welds to [A], [B], [C], [D], and [E] before the replacement parts are temporarily installed.



T11B9025ES40

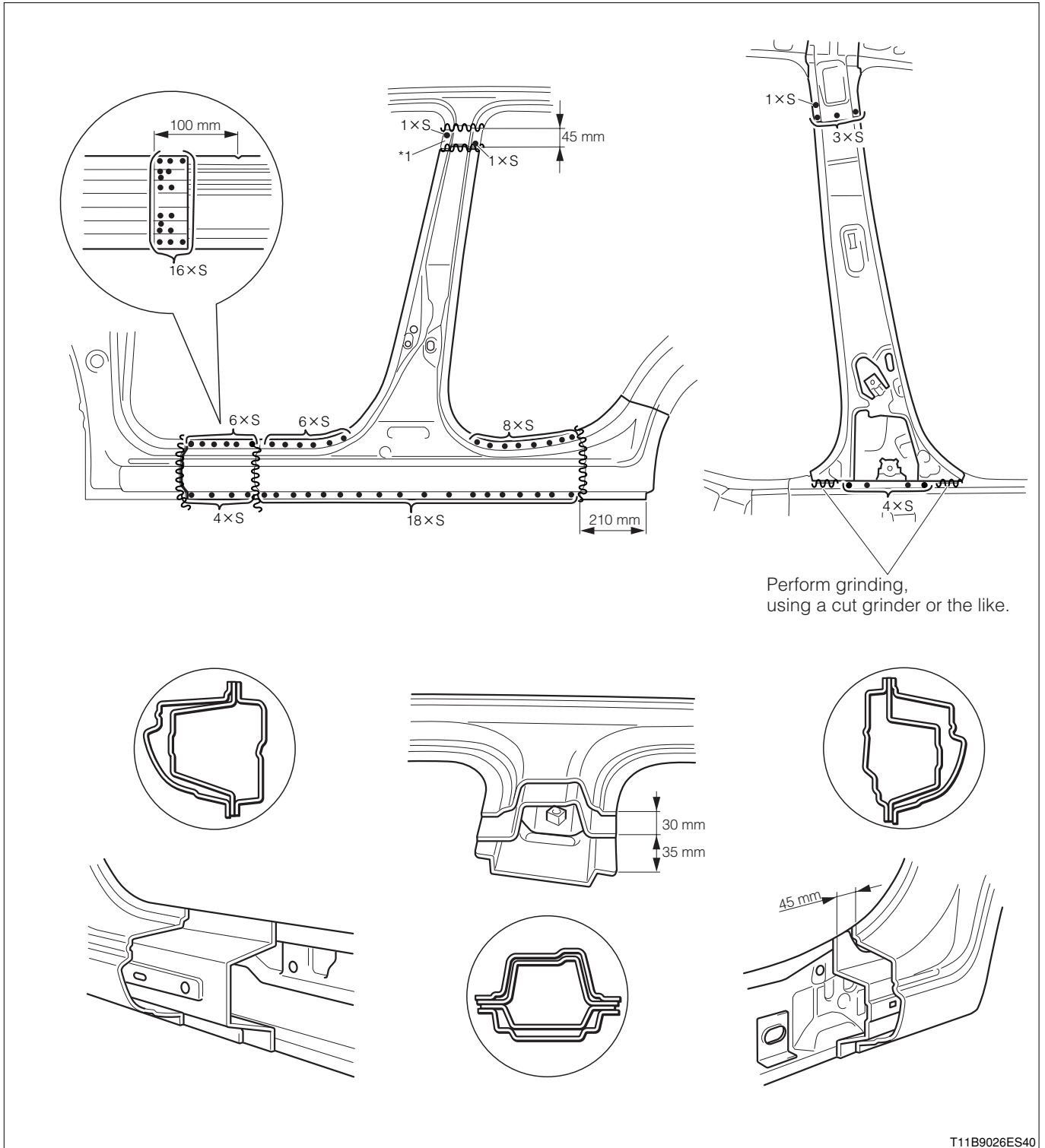
## 7-1-4 OPERATION AFTER INSTALLATION

1. Install the cowl top side panel.

# 8 CENTER BODY PILLAR

## 8-1 REPLACEMENT

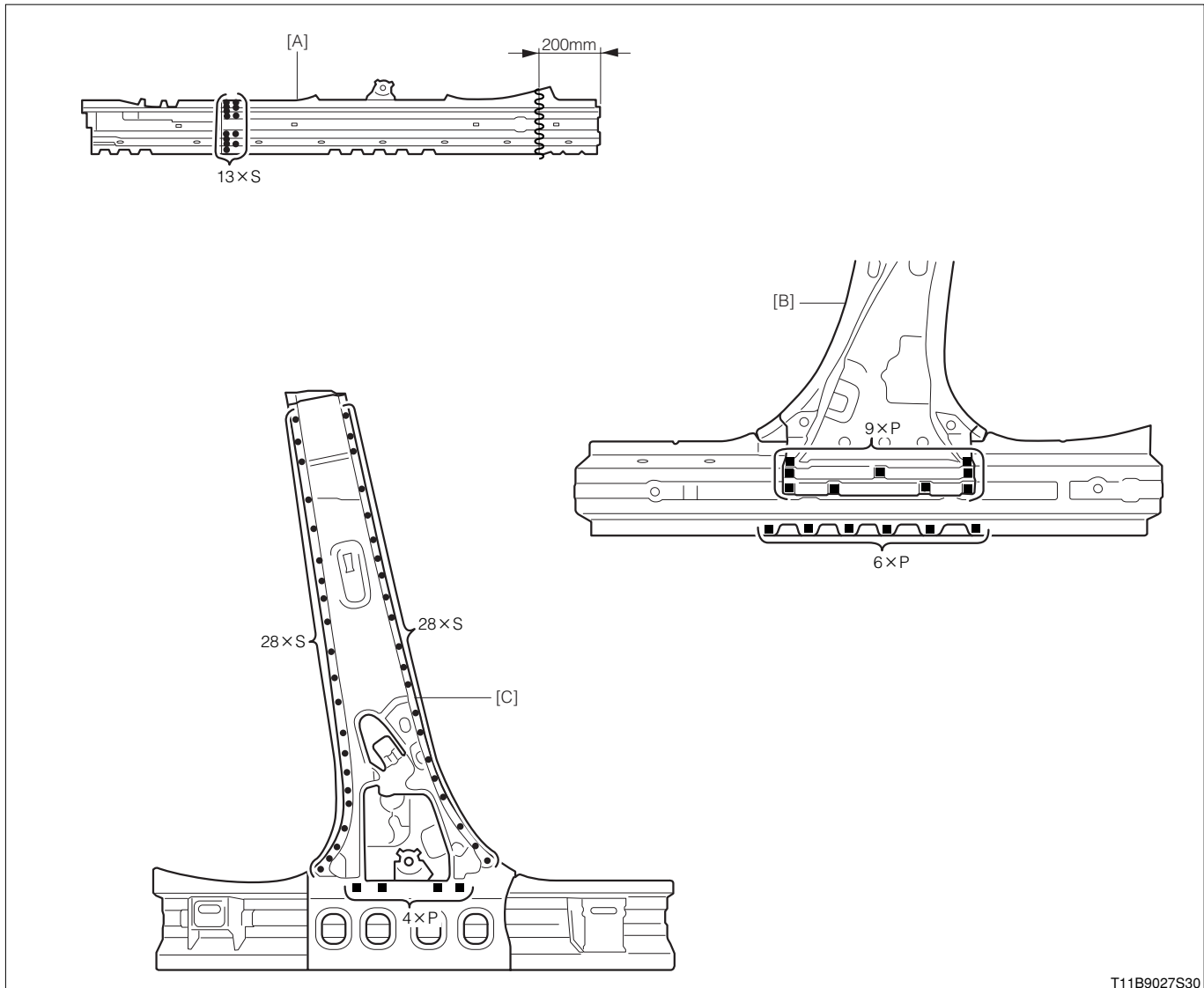
### 8-1-1 REMOVAL PROCEDURES



T11B9026ES40

**\*1 is reused.**

## 8-1-2 INSTALLATION PROCEDURES



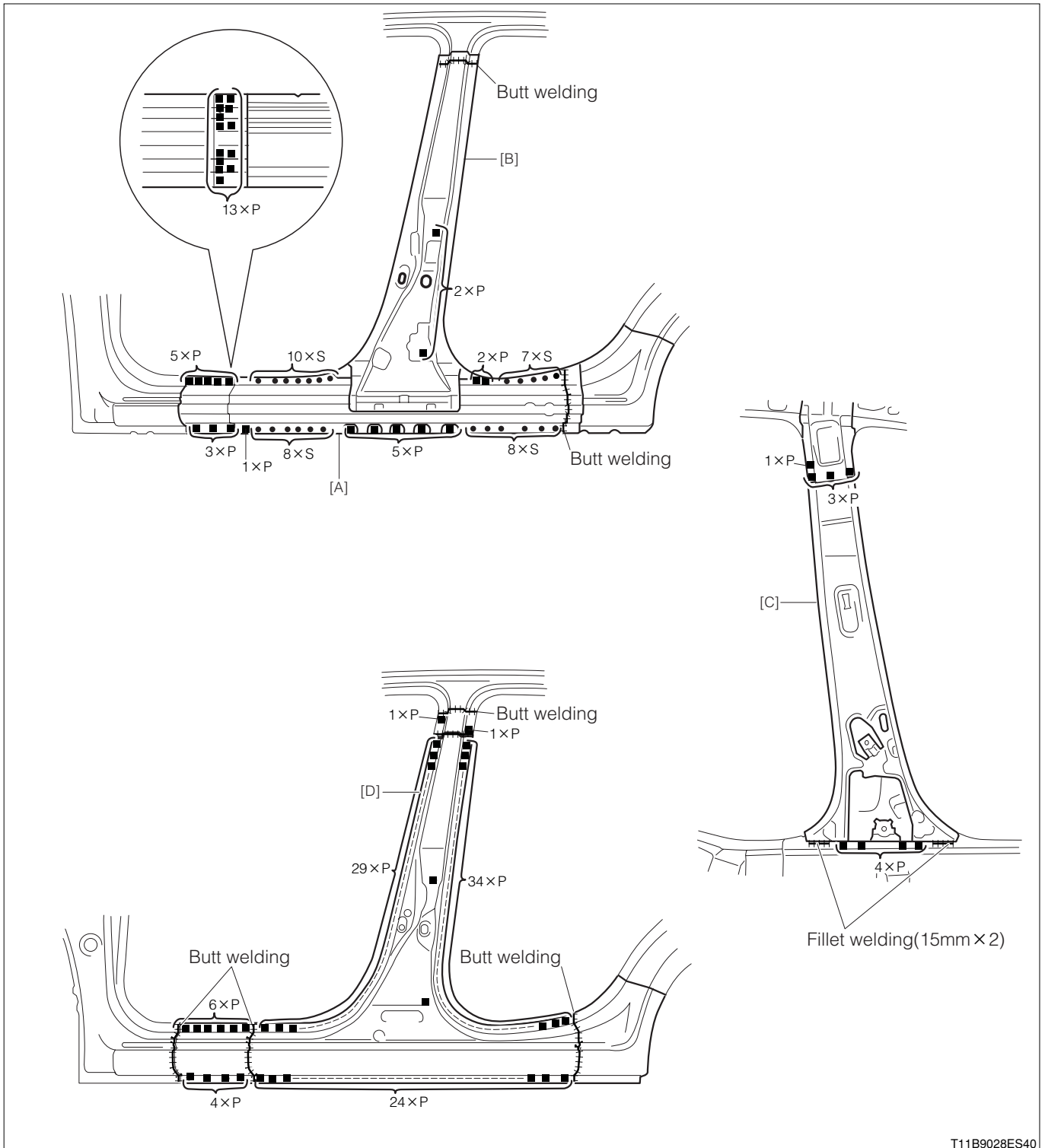
T11B9027S30

[A] Rocker panel reinforcement

[B] Center pillar reinforcement

[C] Center pillar inner

1. Provide the specified number of welds to [A], [B], and [C] before the replacement parts are temporarily installed.



T11B9028ES40

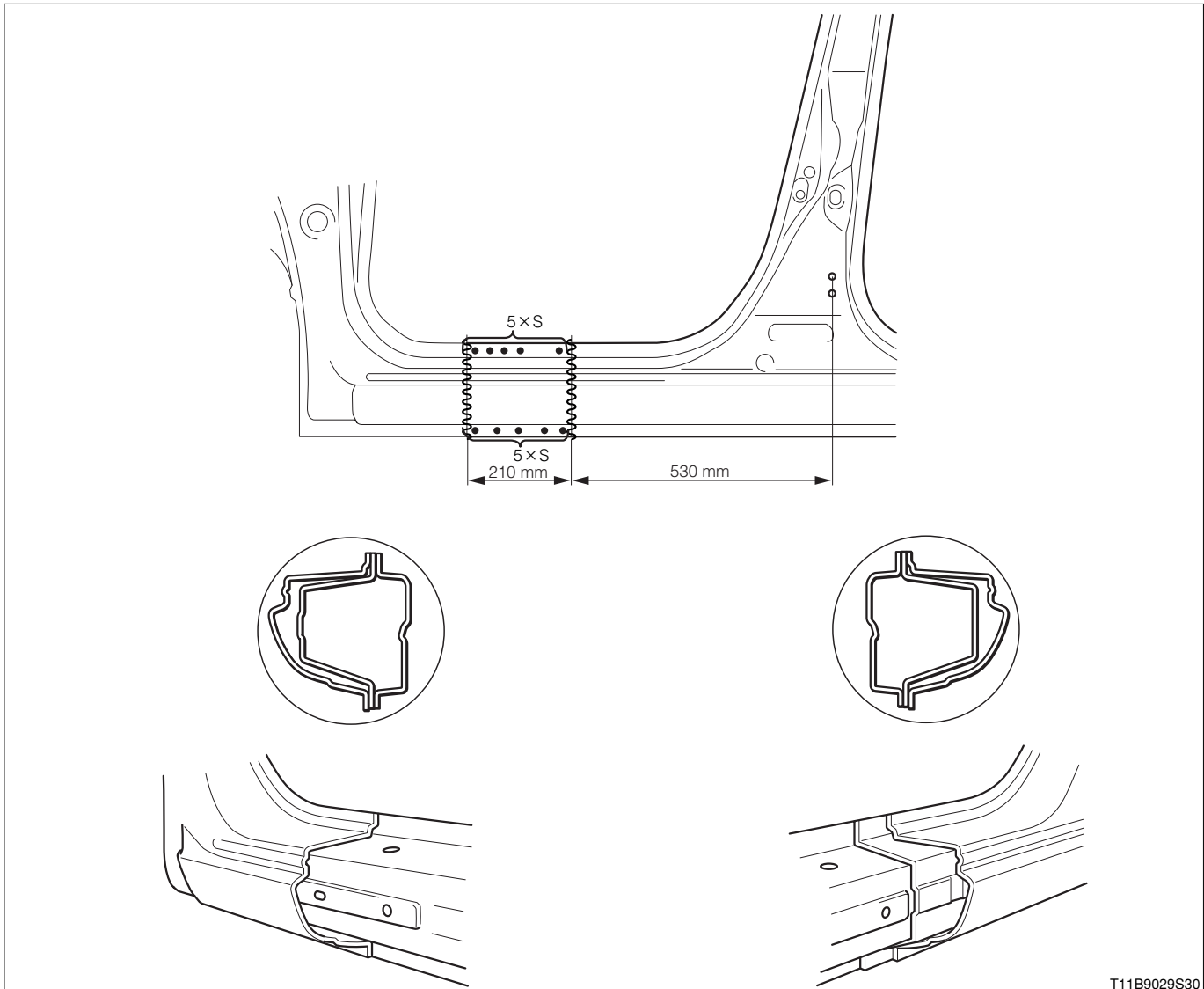
- [A] Rocker panel reinforcement
- [B] Center pillar reinforcement
- [C] Center pillar inner
- [D] Outer panel

2. Weld [A], [B], and [C] to the vehicle and then install [D].

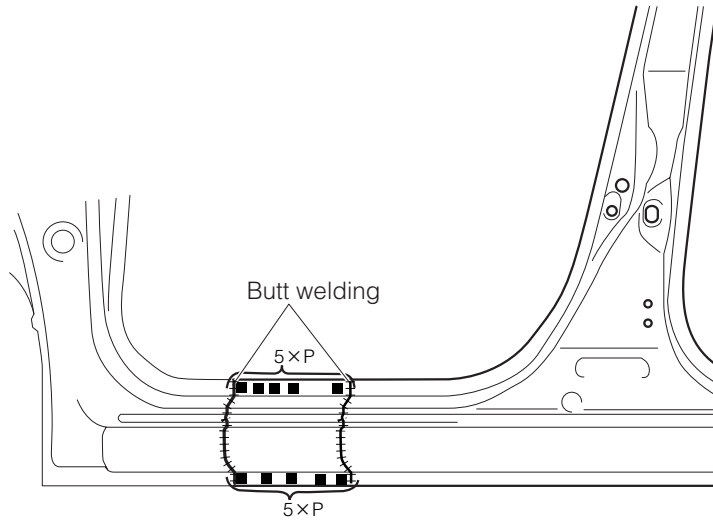
## 9 ROCKER PANEL OUTER

### 9-1 REPLACEMENT

#### 9-1-1 REMOVAL PROCEDURES

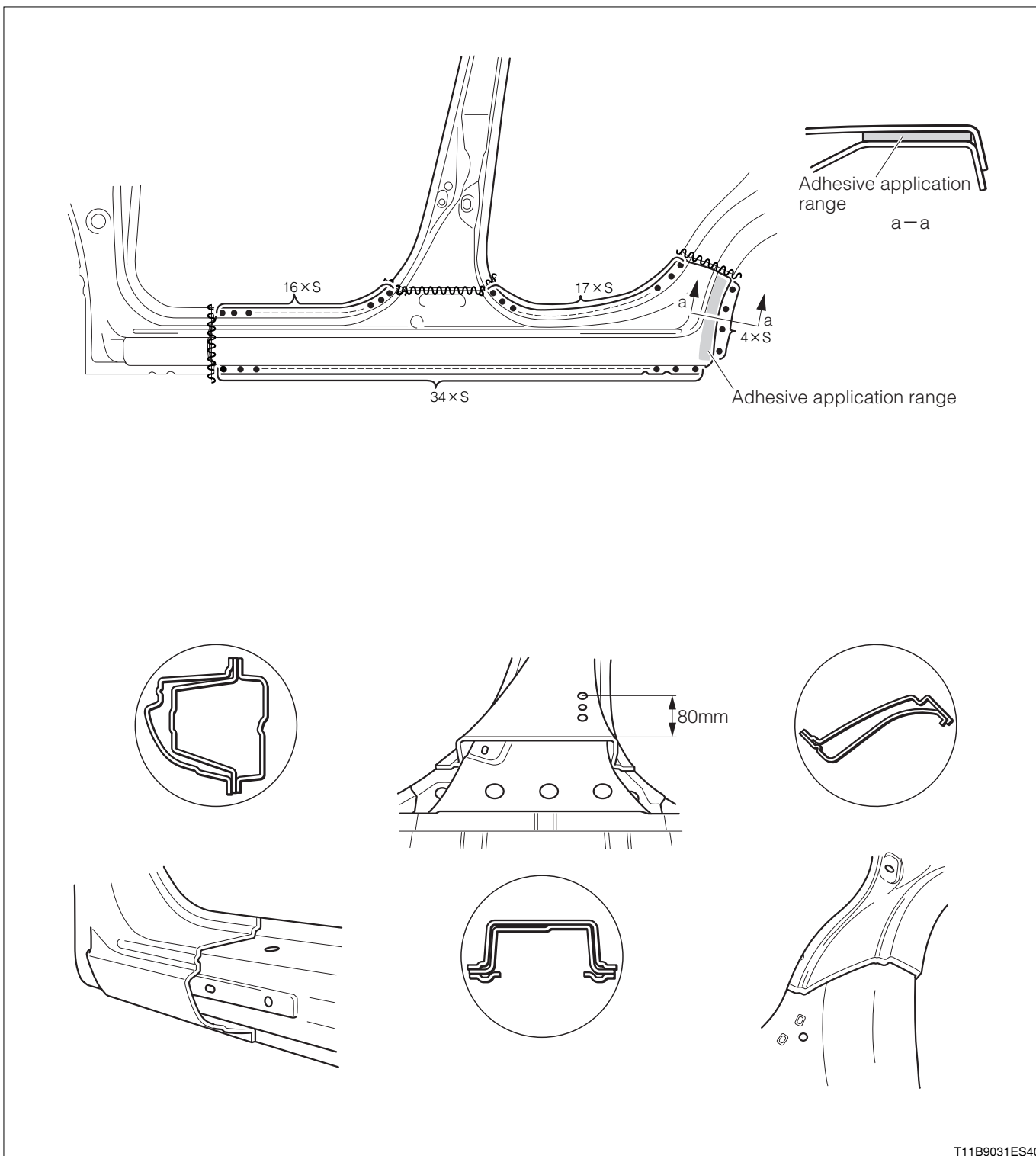


9-1-2 INSTALLATION PROCEDURES



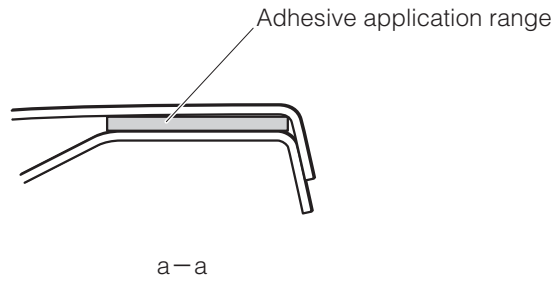
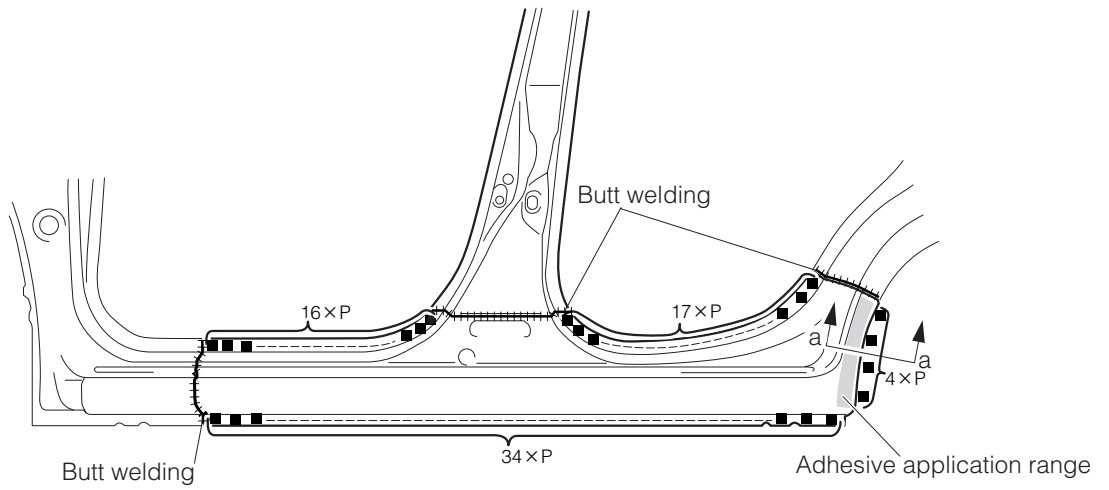
## 9-2 REPLACEMENT

### 9-2-1 REMOVAL PROCEDURES





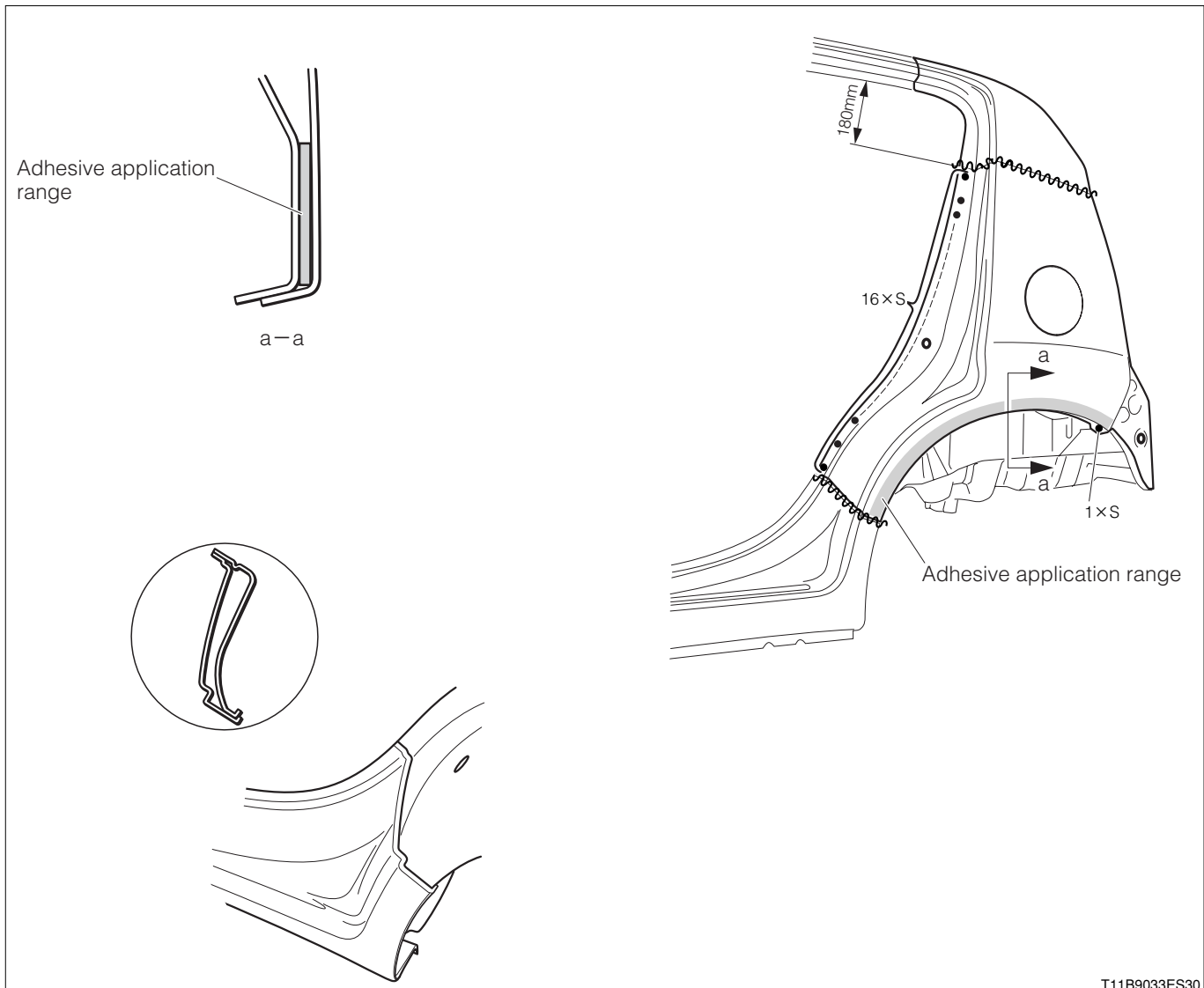
9-2-2 INSTALLATION PROCEDURES

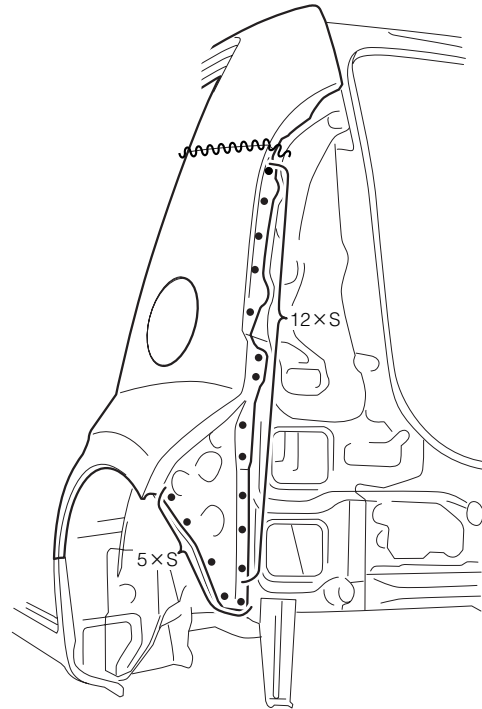
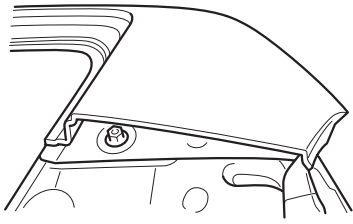


## 10 QUARTER PANEL

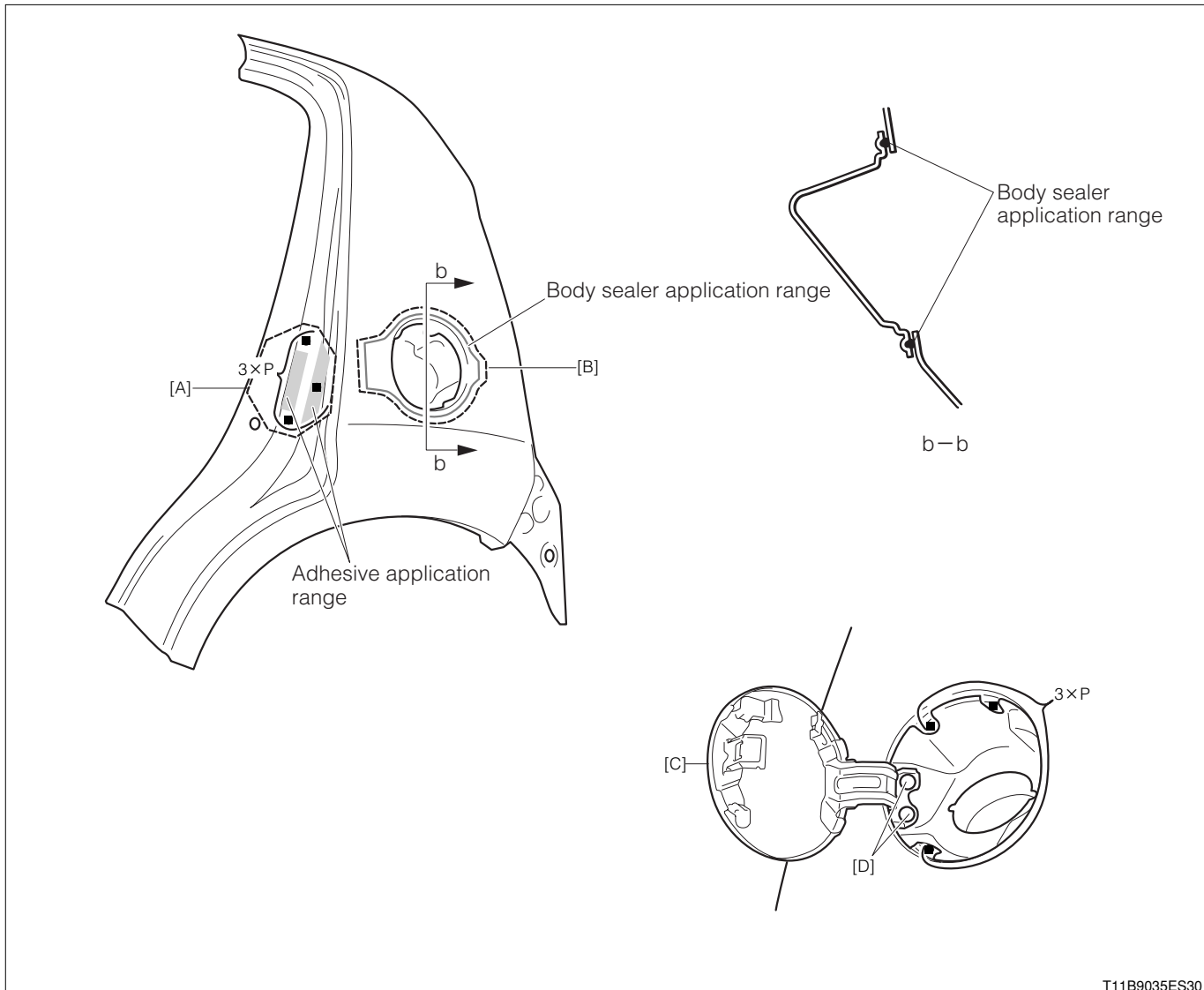
### 10-1 REPLACEMENT

#### 10-1-1 REMOVAL PROCEDURES





## 10-1-2 INSTALLATION PROCEDURES



T11B9035ES30

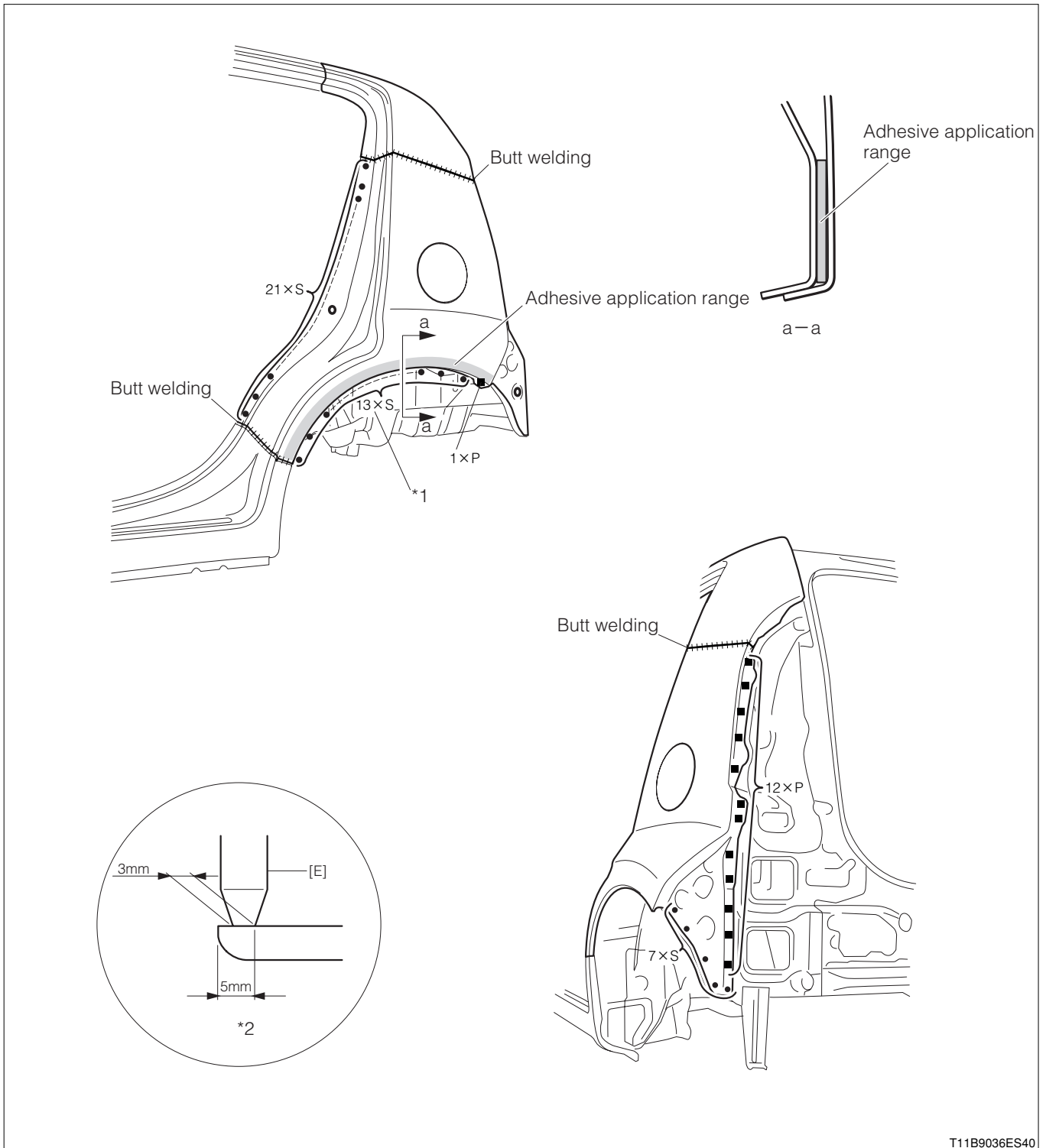
[A] Quarter lock pillar reinforcement

[B] Fuel inlet box

[C] Fuel filler opening lid

[D] Waterproofing rivet

1. Apply the body sealer before the replacement parts are temporarily installed.



T11B9036ES40

**[E] Spot tip**

2.As the flange width is narrow, work and adjust the end portion of [E] as in \*2 when spot welding the section \*1.

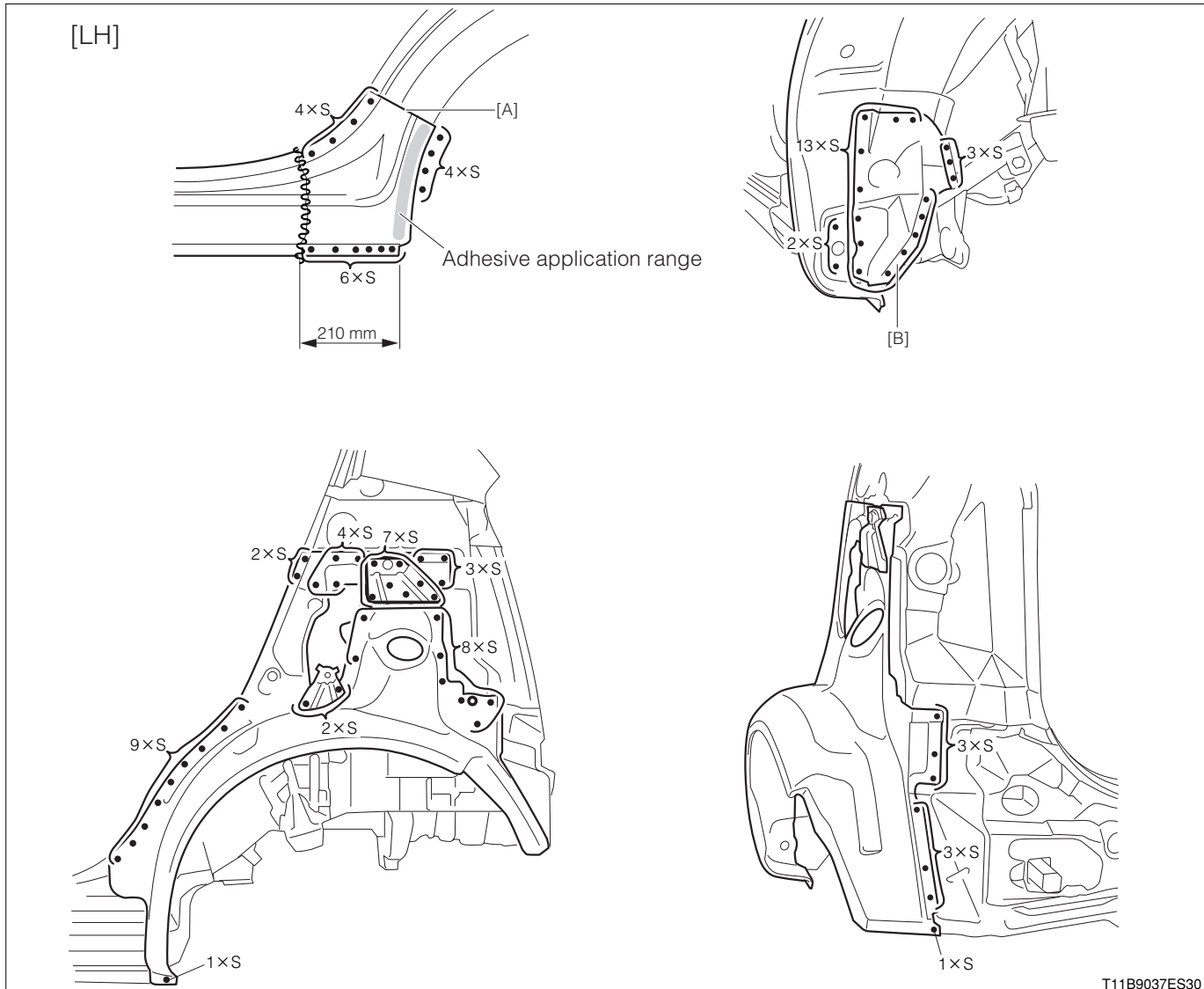
## 11 QUARTER WHEEL HOUSE PANEL OUTER

### 11-1 REPLACEMENT

#### 11-1-1 OPERATION BEFORE REMOVAL

1. Remove the necessary part or component of the quarter panel.
2. Remove the necessary part or component of the quarter panel extension rear.

#### 11-1-2 REMOVAL PROCEDURES



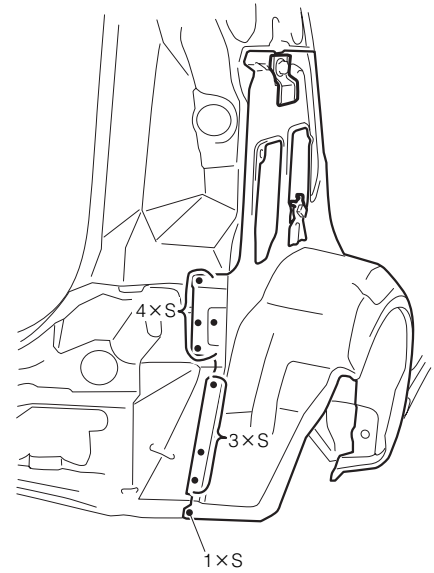
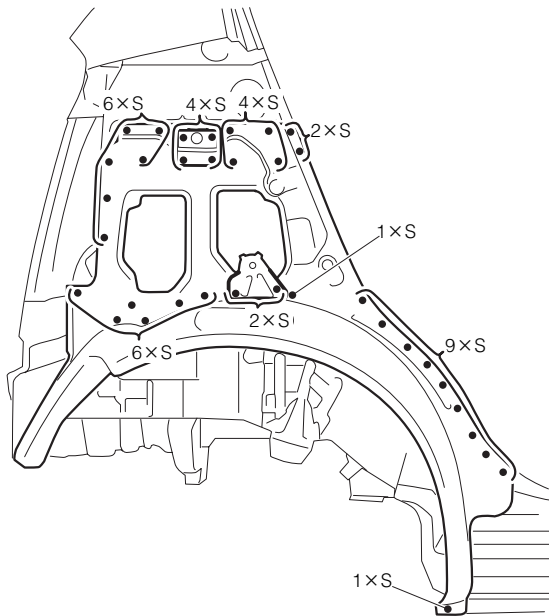
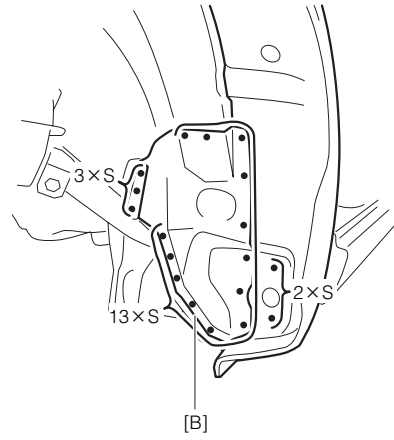
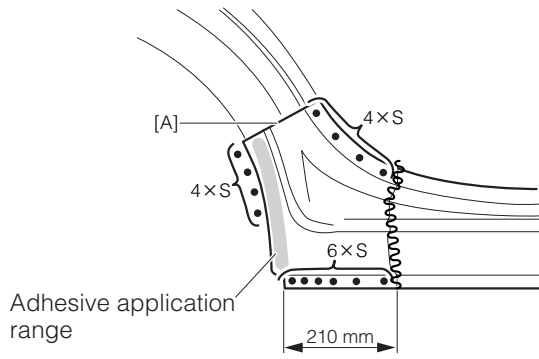
T11B9037ES30

[A] Rocker panel outer

[B] Quarter wheel house gusset inner

1. Remove [A] and [B] to remove the replacement parts.

[RH]



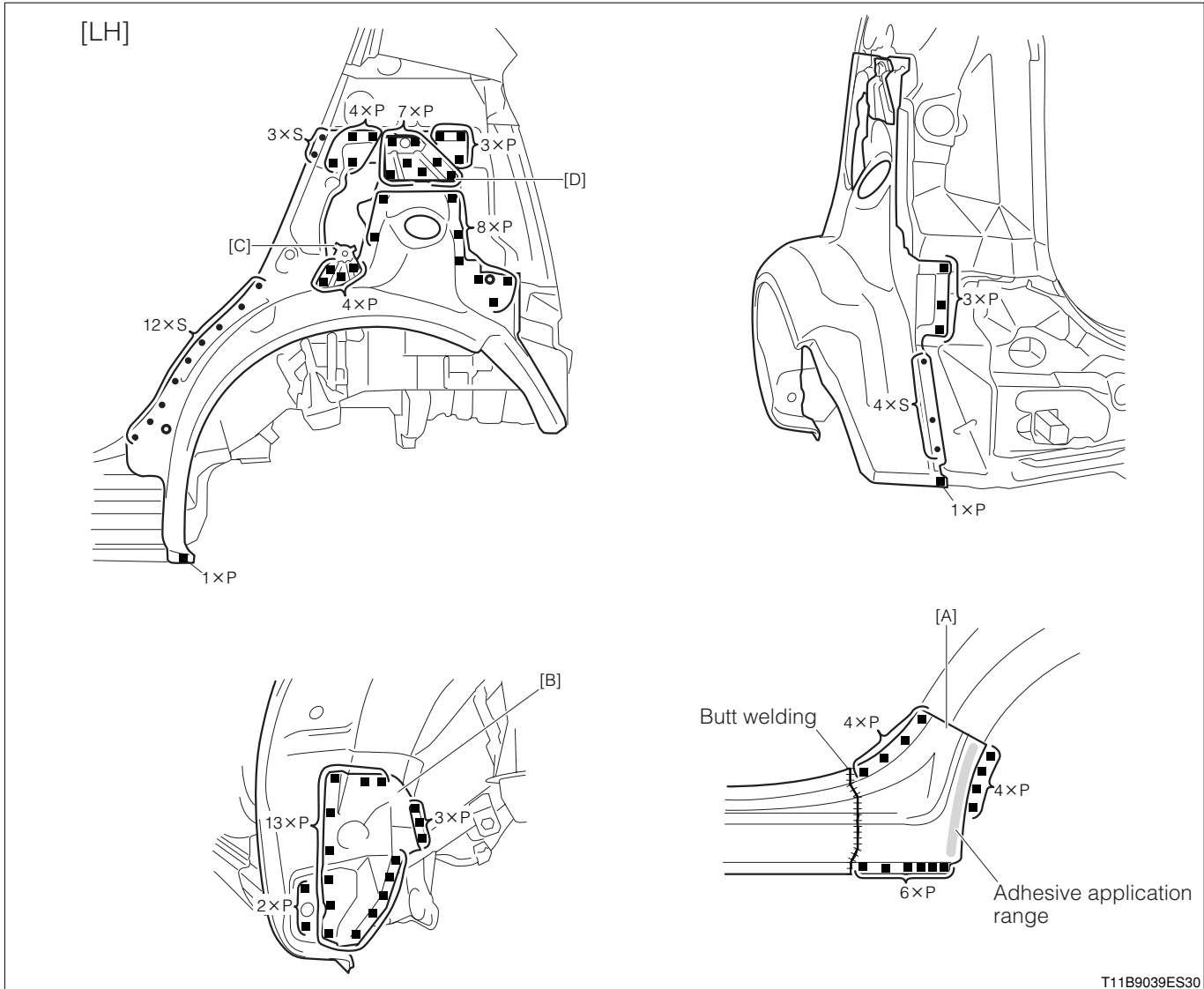
T11B9038ES40

[A] Rocker panel outer

[B] Quarter wheel house gusset inner

2.Remove [A] and [B] to remove the replacement parts.

## 11-1-3 INSTALLATION PROCEDURES



[A] Rocker panel outer

[B] Quarter wheel house gusset inner

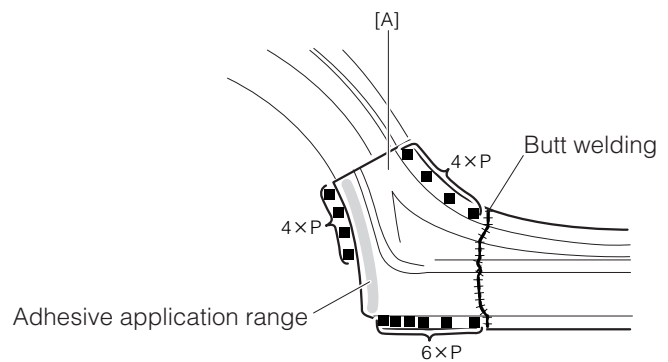
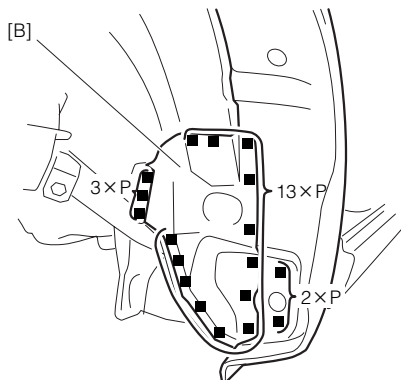
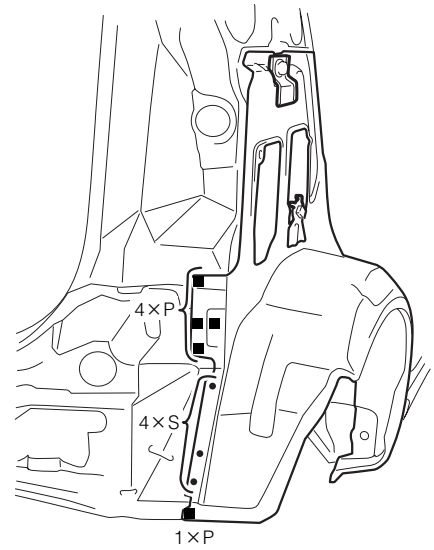
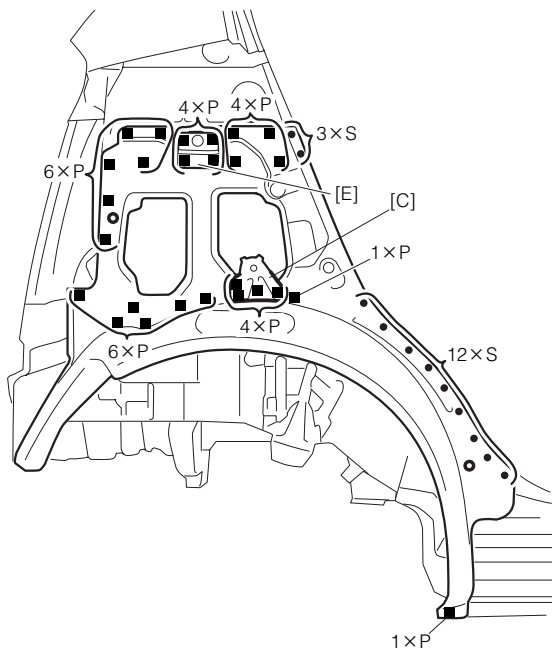
[C] Belt anchor to quarter reinforcement inner lower

[D] Rear seat back set retainer

1. Install the replacement parts, and then install [A] and [B].



[RH]



T11B9040ES40

[A] Rocker panel outer

[B] Quarter wheel house gusset inner

[C] Belt anchor to quarter reinforcement inner lower

[E] Rear seat back set retainer

2. Install the replacement parts, and then install [A] and [B].

**11-1-4 OPERATION AFTER INSTALLATION**

1. Install the quarter panel extension rear.

2. Install the quarter panel.

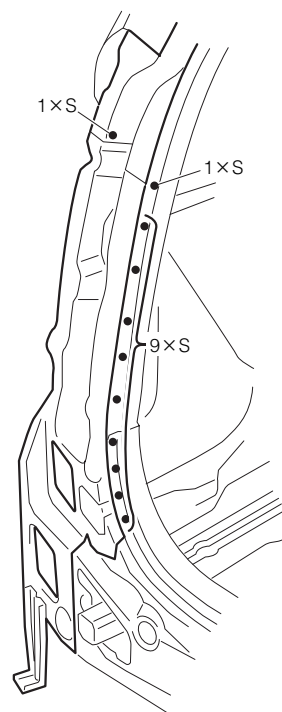
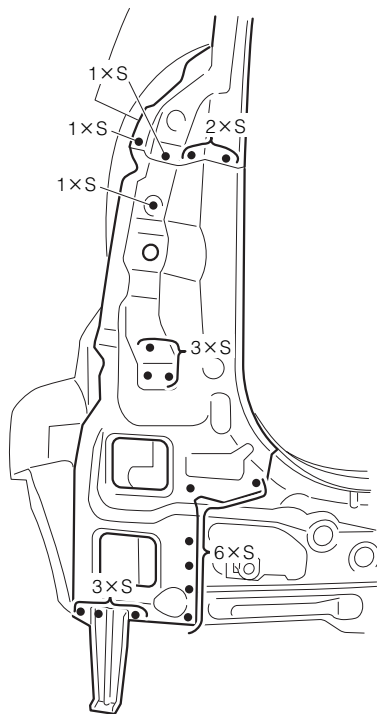
## 12 QUARTER PANEL EXTENSION REAR

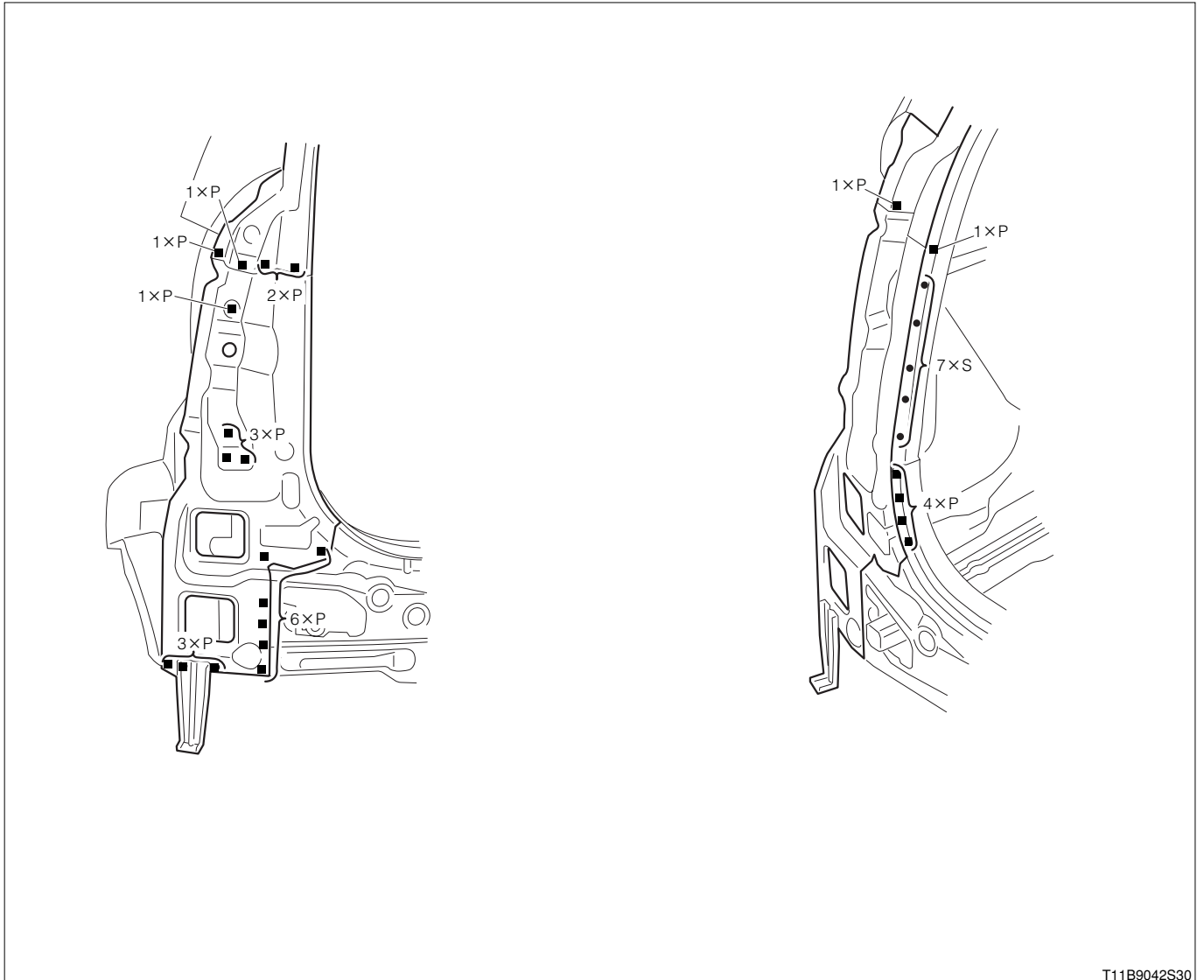
### 12-1 REPLACEMENT

#### 12-1-1 OPERATION BEFORE REMOVAL

1.Remove the necessary part or component of the quarter panel.

#### 12-1-2 REMOVAL PROCEDURES



**12-1-3 INSTALLATION PROCEDURES**

1. Remove the part or component to be exchanged from the replacement parts and install to the vehicle.

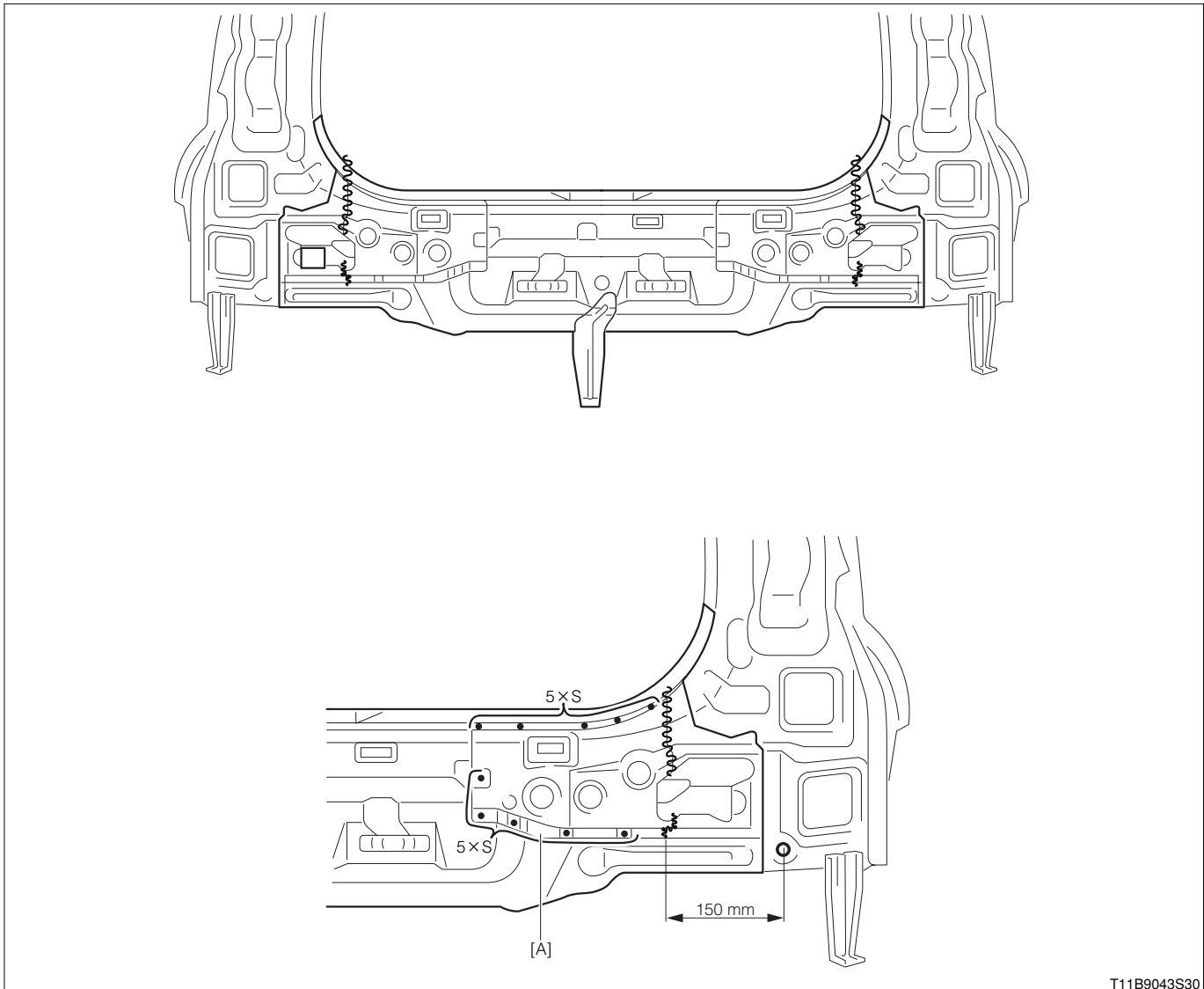
**12-1-4 OPERATION AFTER INSTALLATION**

1. Install the quarter panel.

## 13 BODY LOWER BACK PANEL

### 13-1 REPLACEMENT

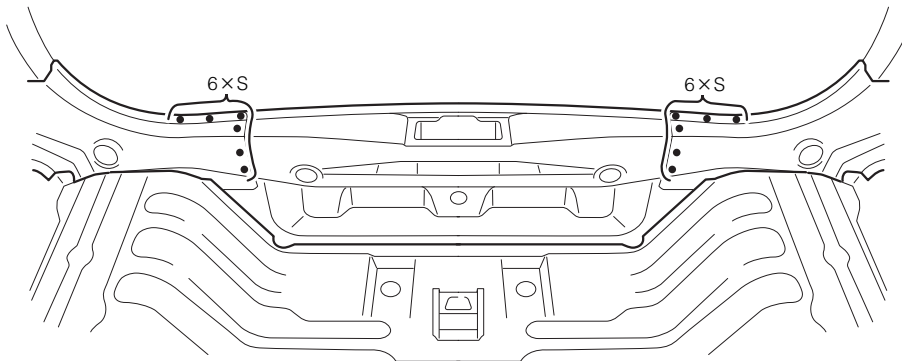
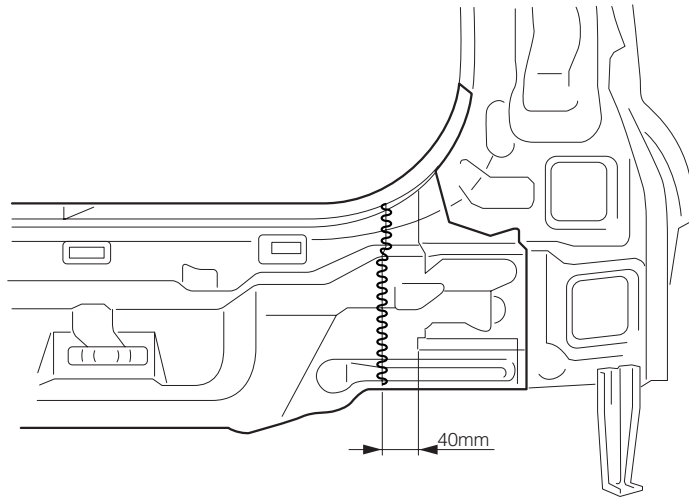
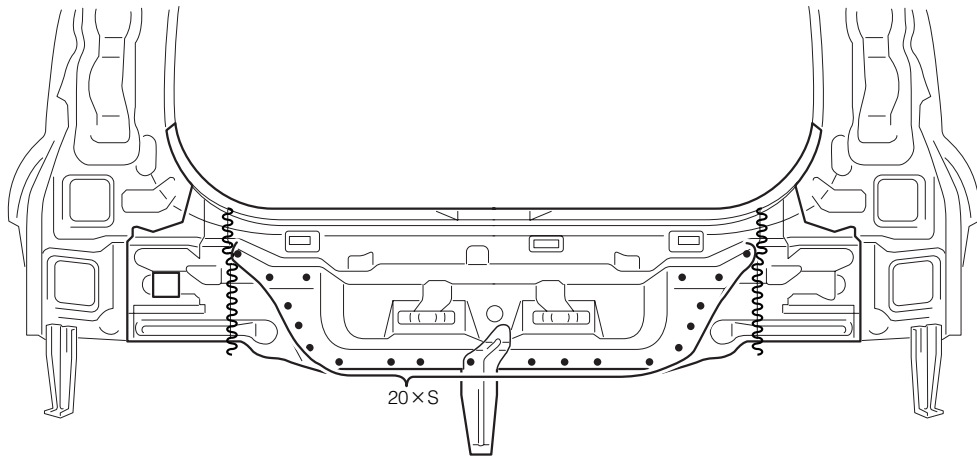
#### 13-1-1 REMOVAL PROCEDURES



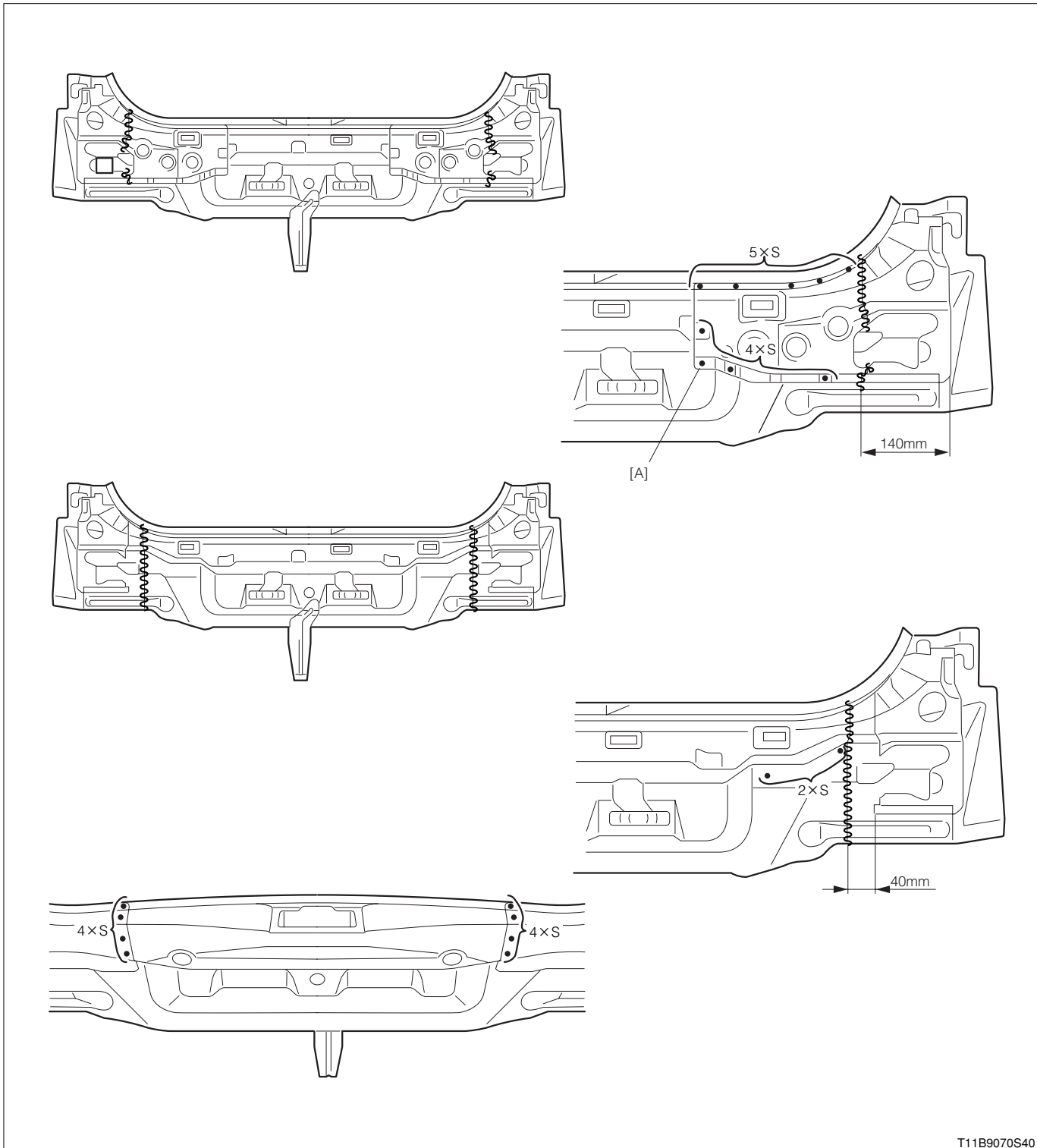
T11B9043S30

[A] Body lower back reinforcement

1. Remove [A] before starting the work.



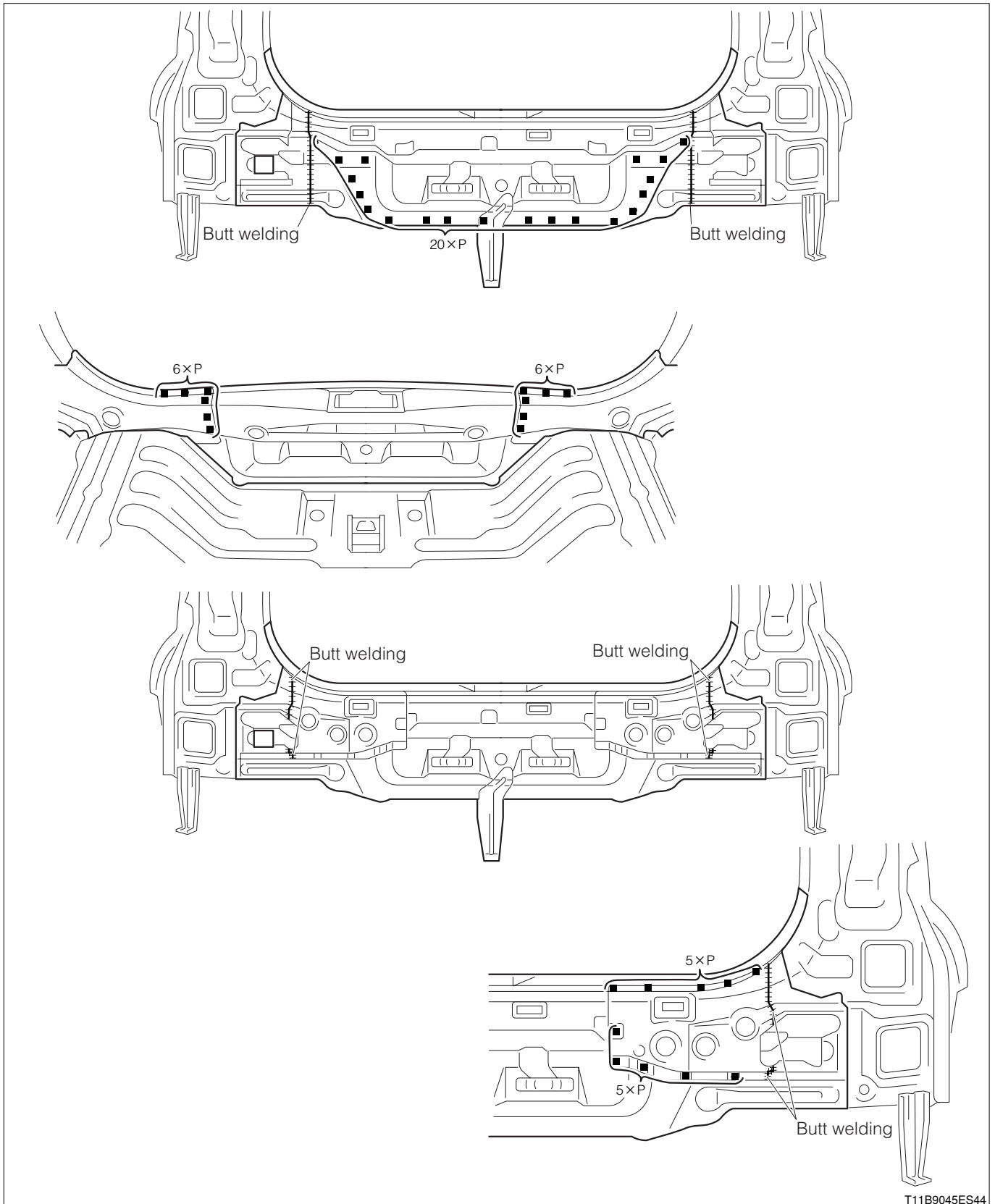
## 13-1-2 INSTALLATION PROCEDURES



T11B9070S40

[A] Body lower back reinforcement

- 1.Remove the part or component to be exchanged from the replacement parts and install to the vehicle.
- 2.Remove [A] before starting the work.

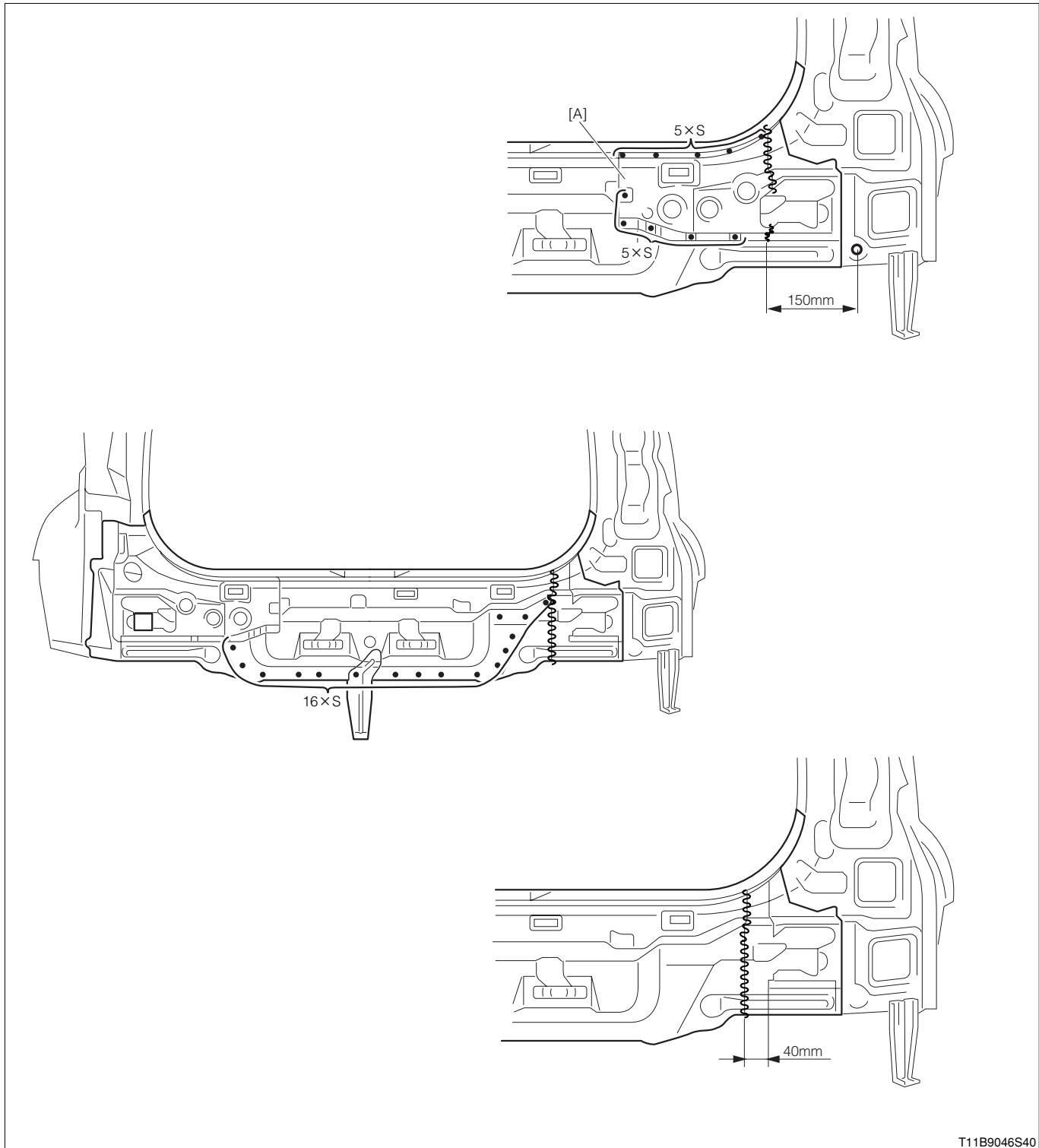


## 13-2 REPLACEMENT

### 13-2-1 OPERATION BEFORE REMOVAL

1.Remove the necessary part or component of the quarter panel extension rear.

### 13-2-2 REMOVAL PROCEDURES

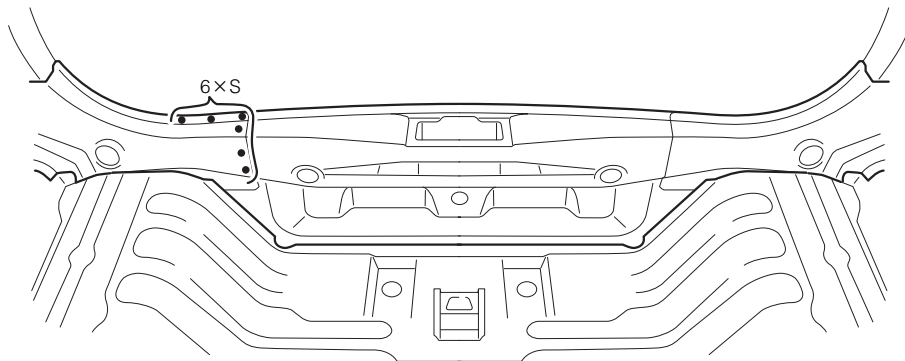
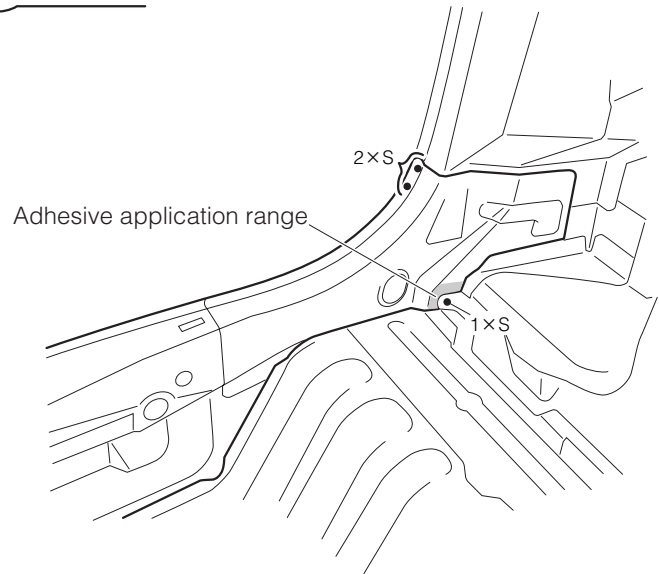
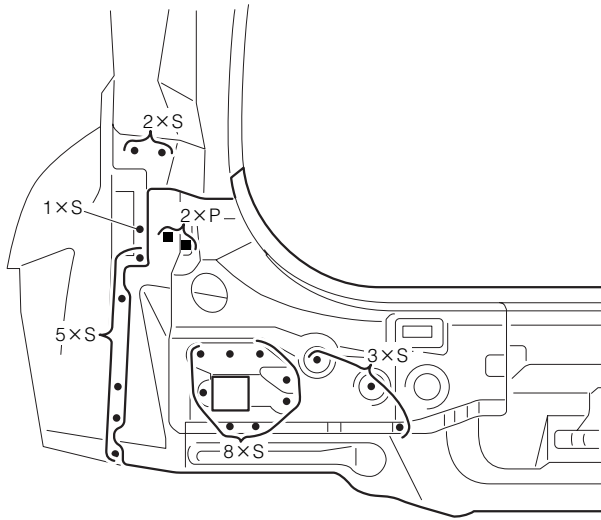


T11B9046S40

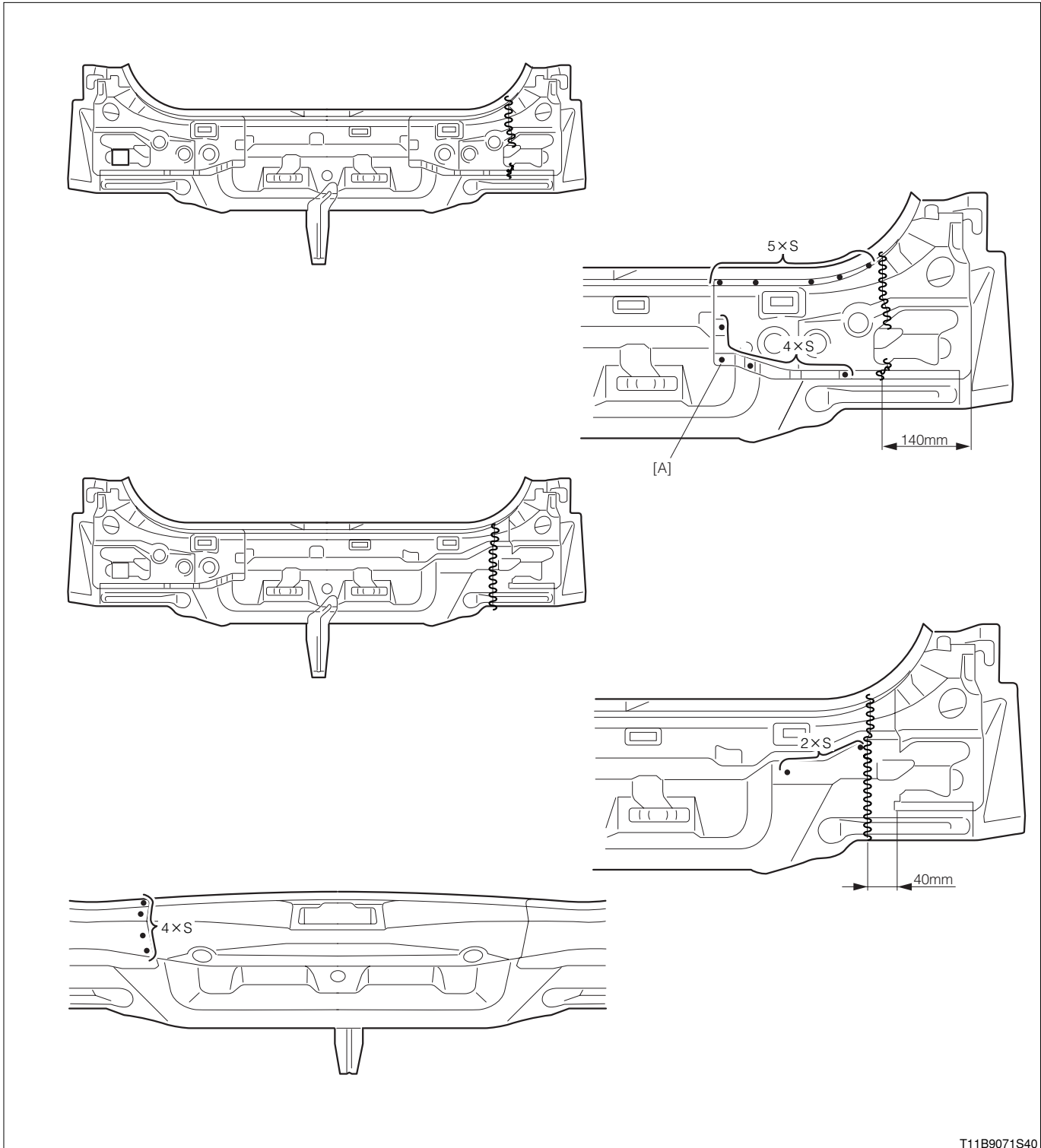
[A] Body lower back reinforcement

1.Remove [A] before starting the work.





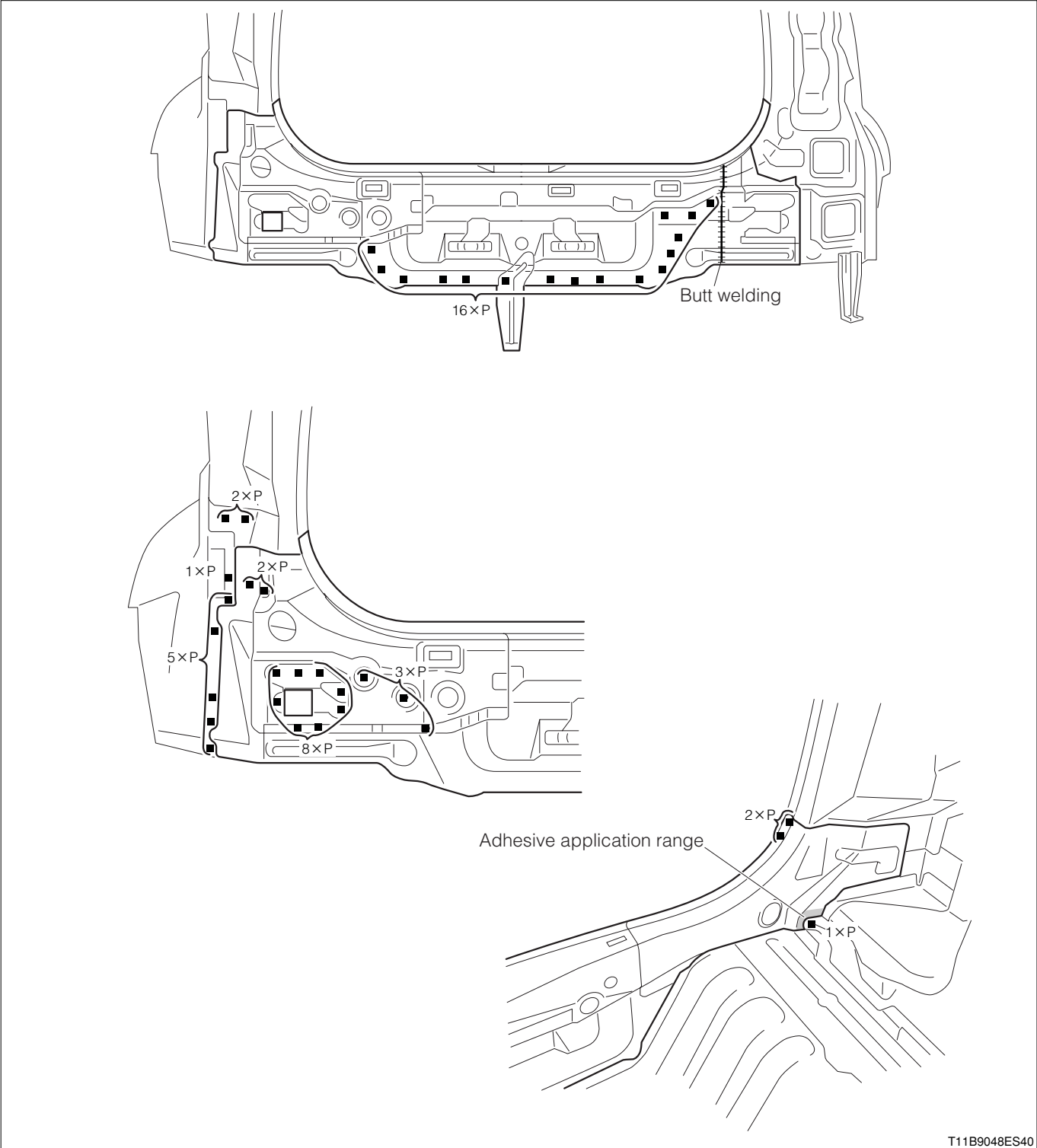
## 13-2-3 INSTALLATION PROCEDURES

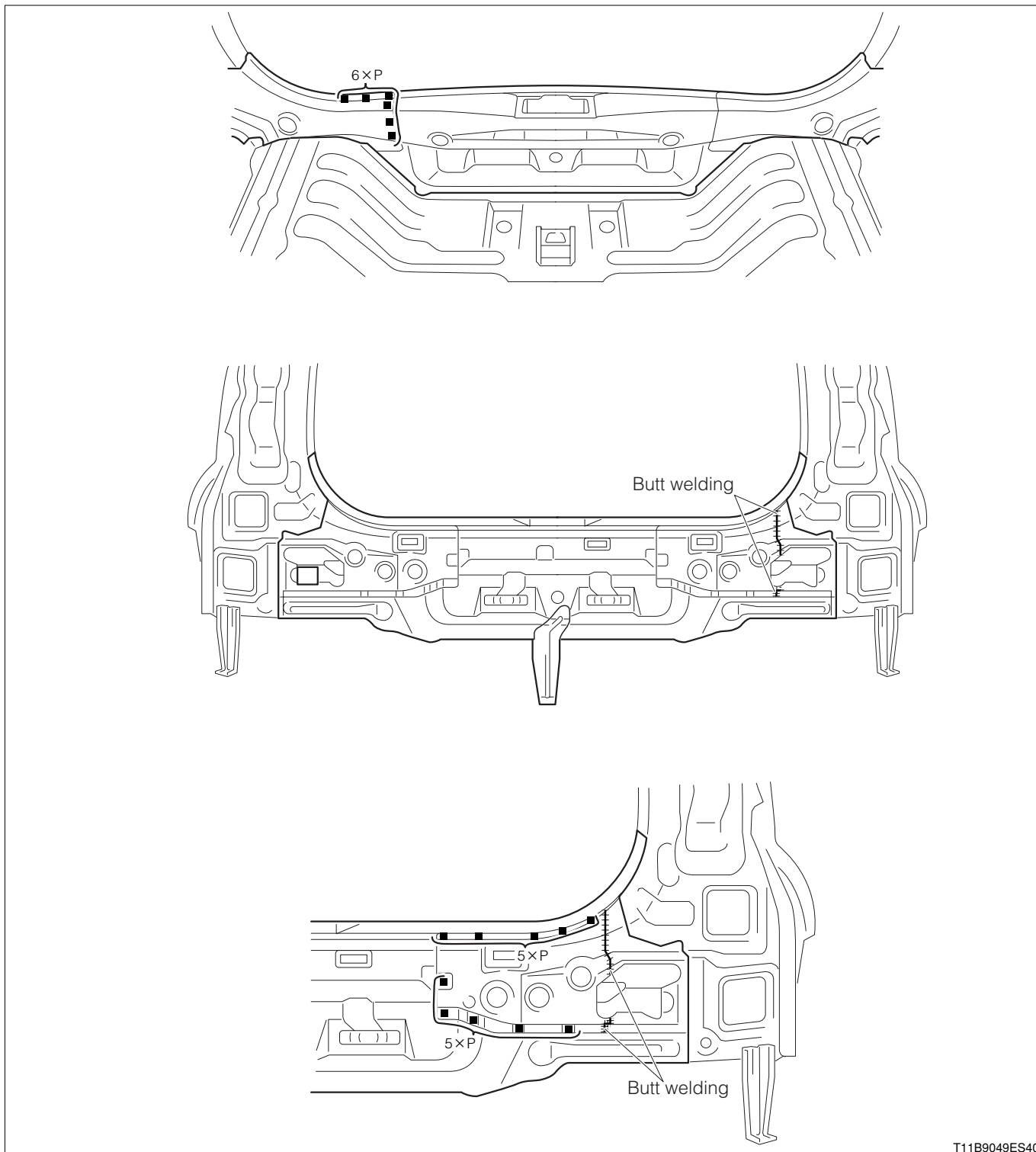


T11B9071S40

[A] Body lower back reinforcement

1. Remove the part or component to be exchanged from the replacement parts and install to the vehicle.
2. Remove [A] before starting the work.





T11B9049ES40

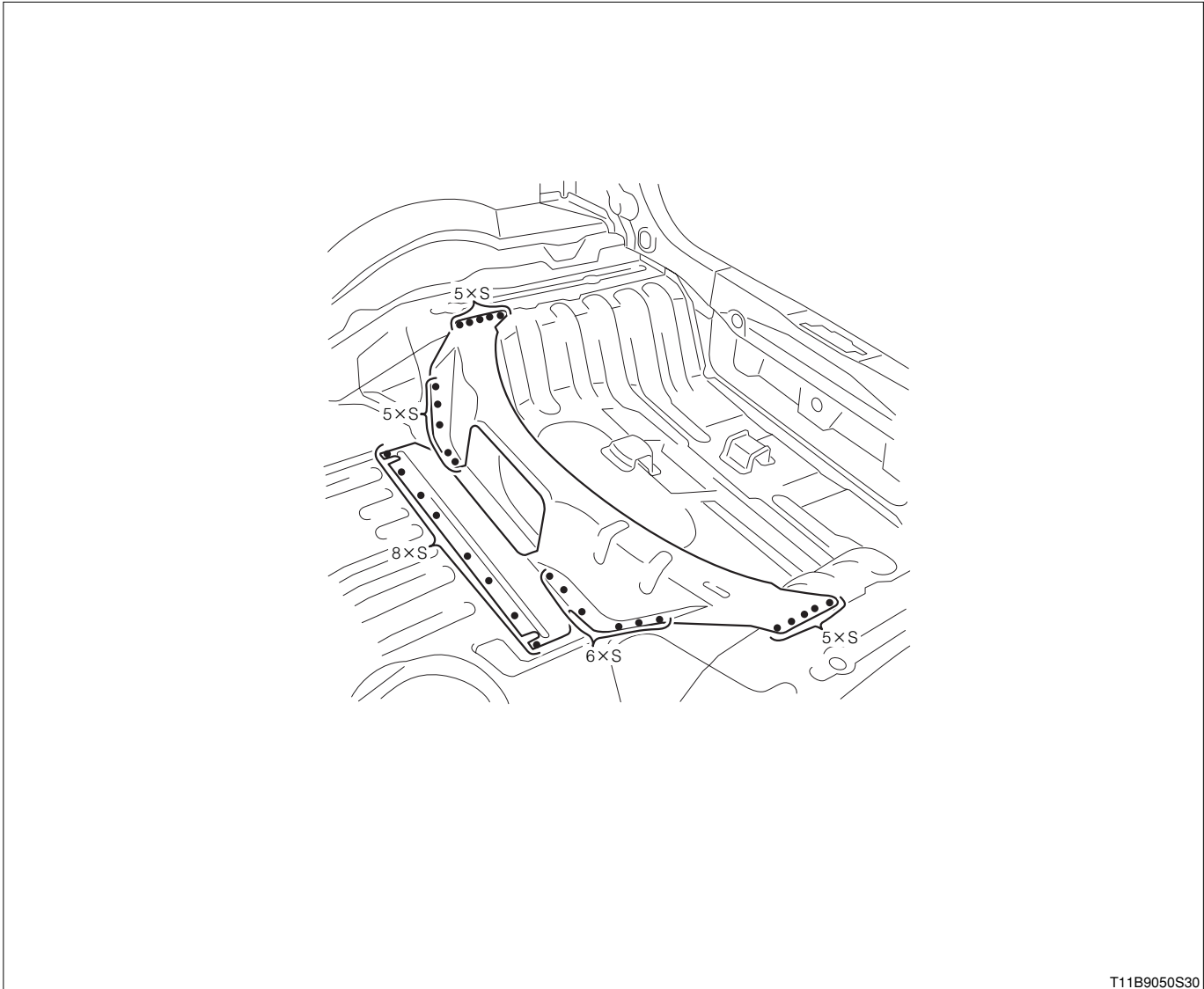
## 13-2-4 OPERATION AFTER INSTALLATION

1. Install the quarter panel extension rear.

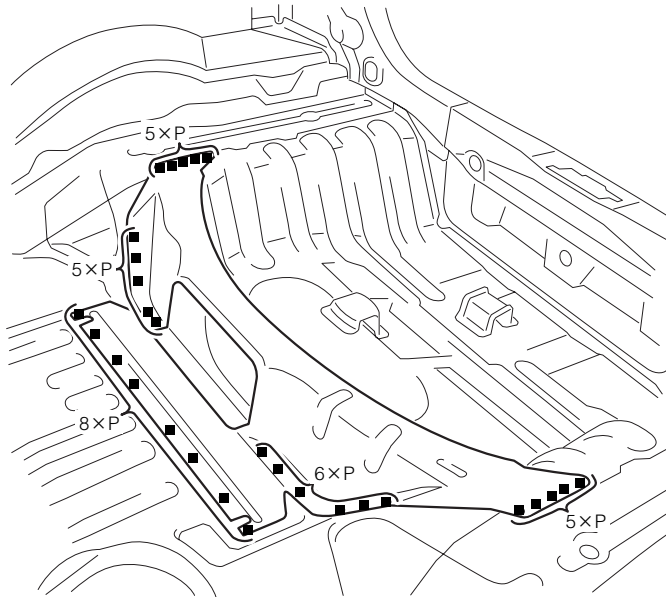
# 14 REAR FLOOR CROSS MEMBER REINFORCEMENT NO.2

## 14-1 REPLACEMENT

### 14-1-1 REMOVAL PROCEDURES



## 14-1-2 INSTALLATION PROCEDURES



# 15 REAR FLOOR SIDE PANEL EXTENSION FRONT

## 15-1 REPLACEMENT

### 15-1-1 REMOVAL PROCEDURES



T11B9052S30

\*1 is LH only.

## 15-1-2 INSTALLATION PROCEDURES



T11B9053S30

\*1 is LH only.



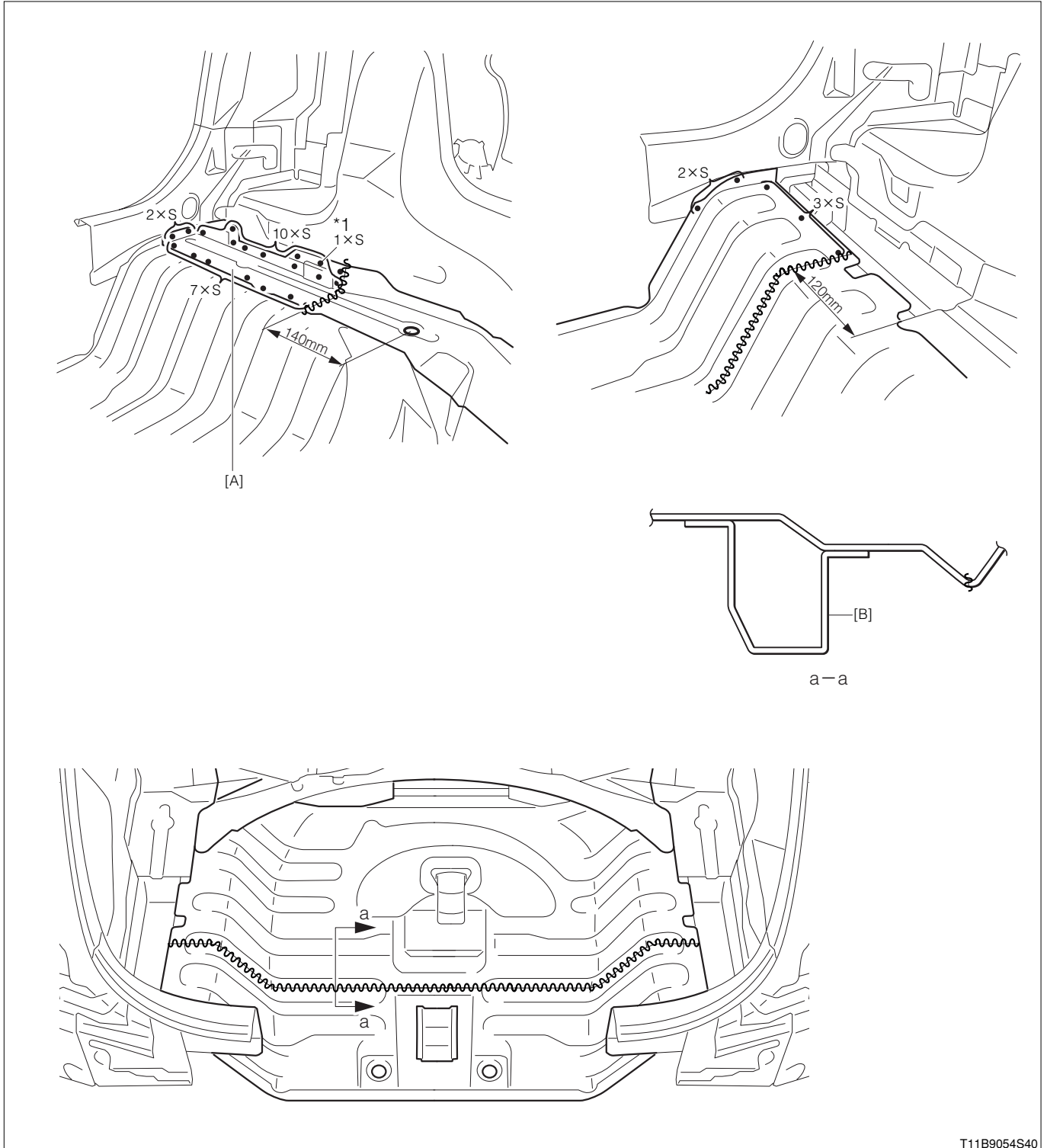
# 16 REAR FLOOR PAN

## 16-1 REPLACEMENT

### 16-1-1 OPERATION BEFORE REMOVAL

1.Remove the necessary part or component of the body lower back panel.

### 16-1-2 REMOVAL PROCEDURES



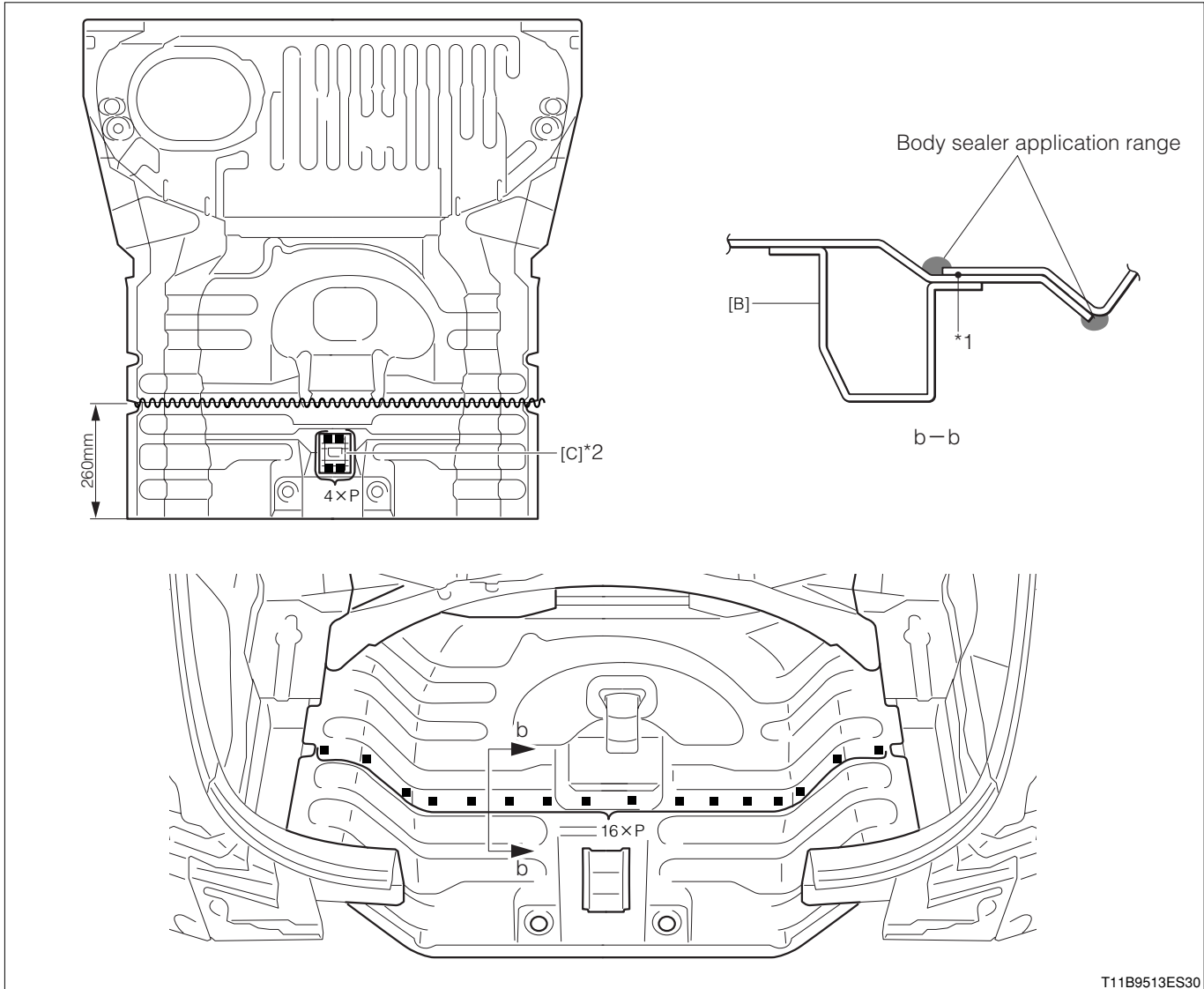
T11B9054S40

\*1is LH only.

[A] Rear floor side panel extension front

[B] Rear floor cross member No.2

## 16-1-3 INSTALLATION PROCEDURES



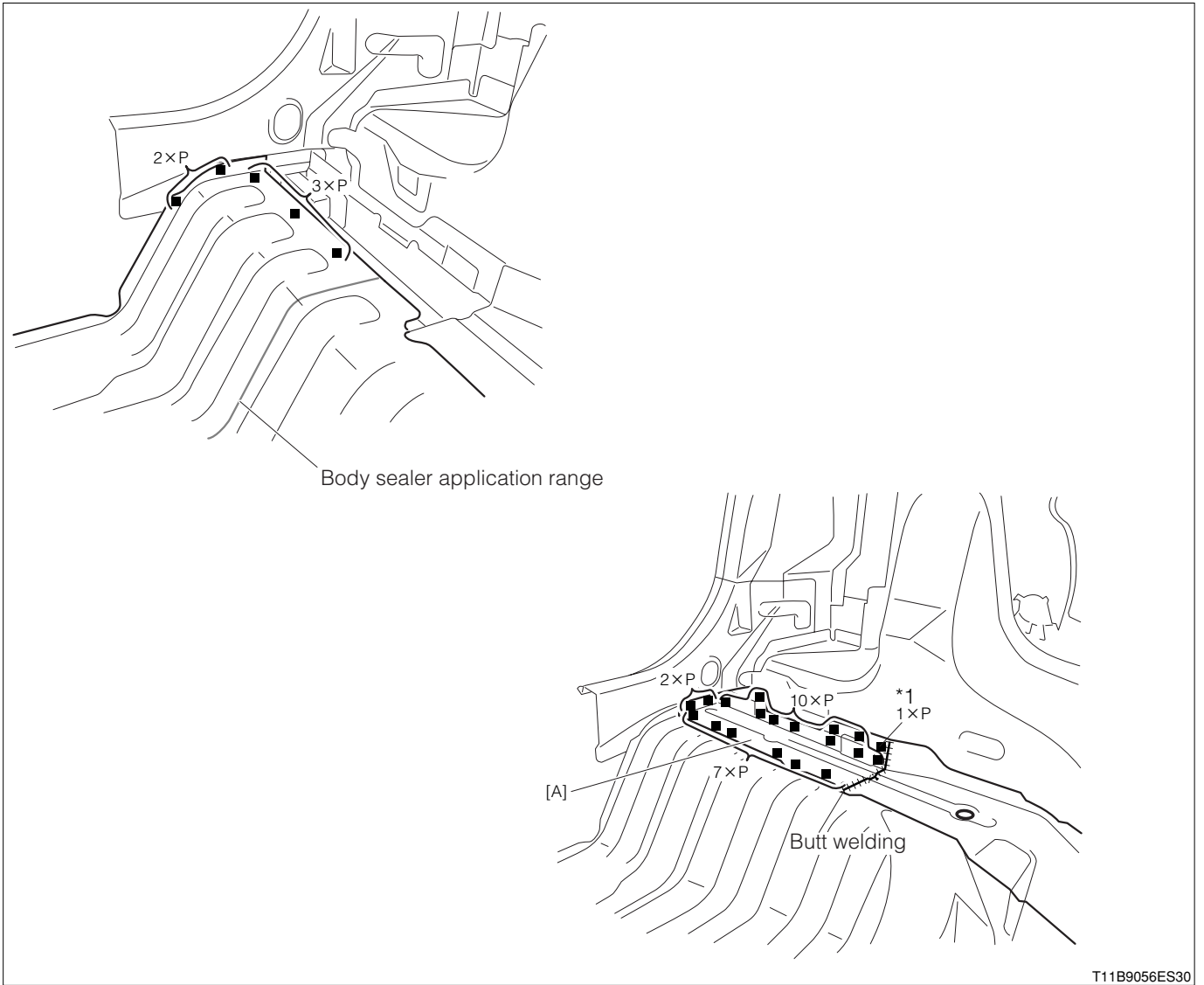
T11B9513ES30

\*2 is only for vehicles that have a compact tire as the spare tire.

[B] Rear floor cross member No.2

[C] Jack support bracket

1. Remove the part or component to be exchanged from the replacement parts and install to the vehicle.
2. Cut off the replacement part where it overlaps with the cut end by approx. 30mm.
3. Plug weld the overlapped portions of \*1, and apply the body sealer on both sides.



T11B9056ES30

\*1 is LH only.

[A] Rear floor side panel extension front

**16-1-4 OPERATION AFTER INSTALLATION**

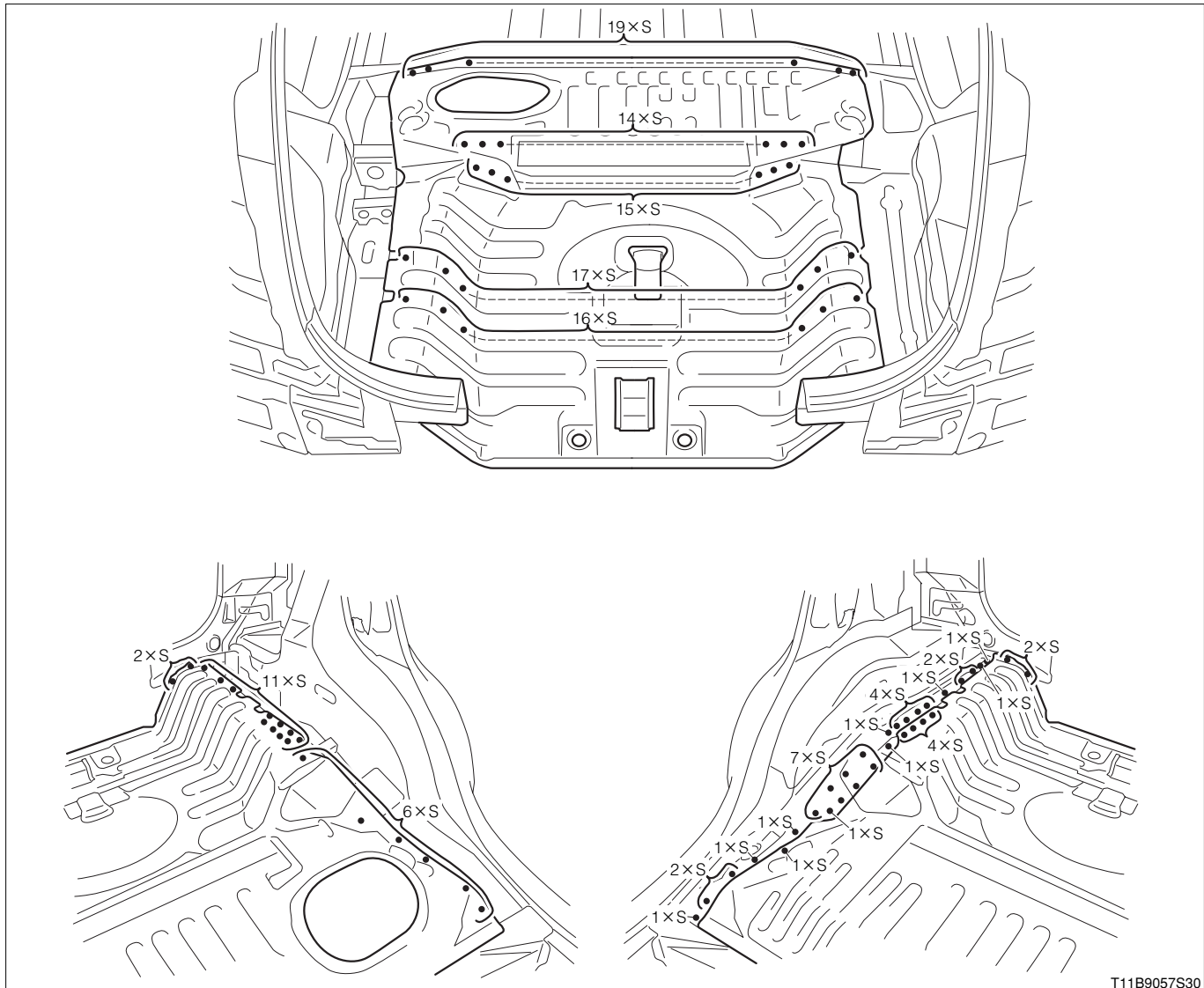
1. Install the body lower back panel.

## 16-2 REPLACEMENT

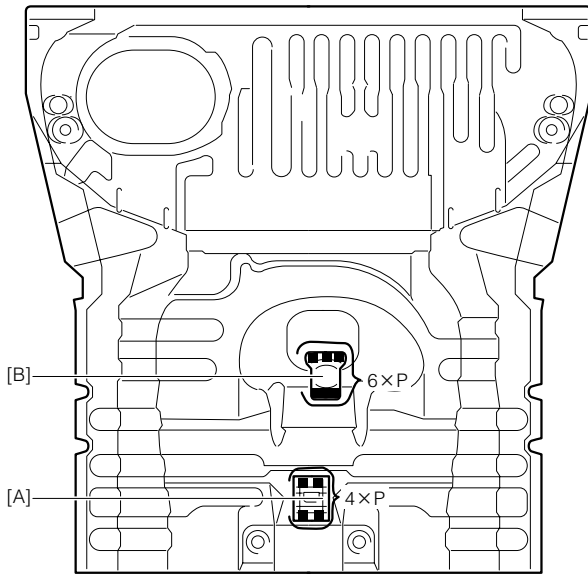
### 16-2-1 OPERATION BEFORE REMOVAL

- 1.Remove the necessary part or component of the body lower back panel.
- 2.Remove the necessary part or component of the rear floor cross member reinforcement No.2.
- 3.Remove the necessary part or component of the rear floor side panel extension front.

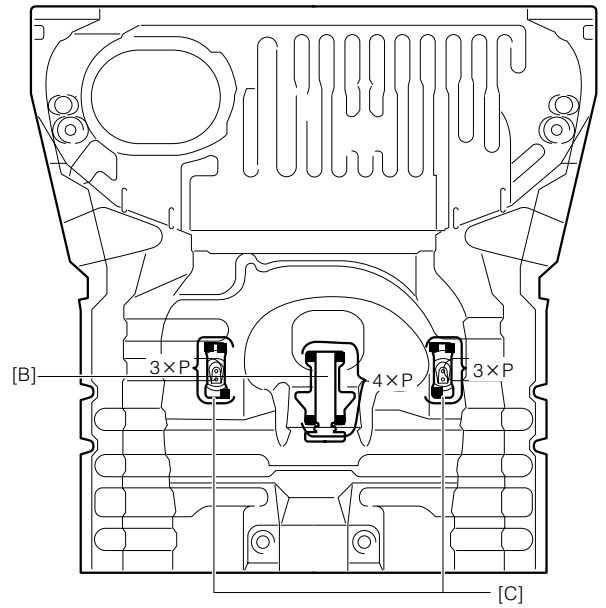
### 16-2-2 REMOVAL PROCEDURES



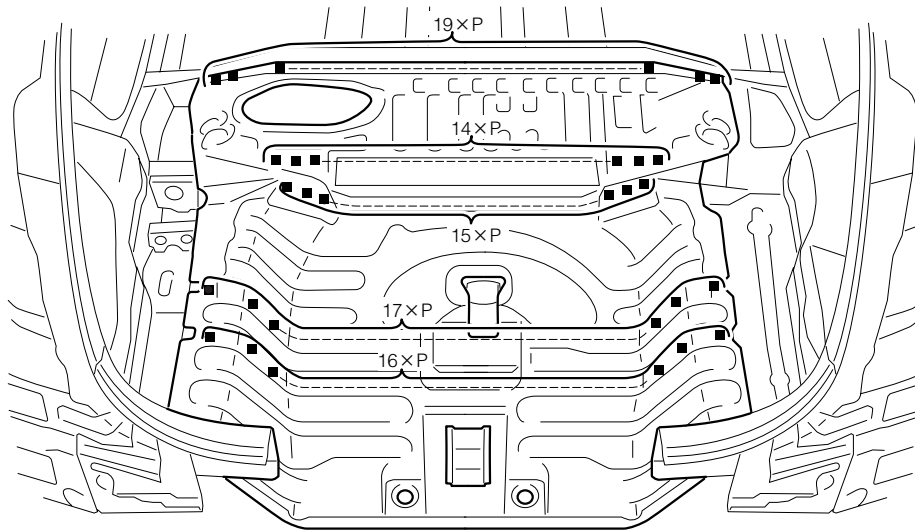
16-2-3 INSTALLATION PROCEDURES



< Vehicles that have a compact tire as the spare tire >



< Vehicles that have a standard tire as the spare tire >



T11B9510ES40

- [A] Jack support bracket
- [B] Spare wheel clamp bracket
- [C] Spare wheel carrier bracket No.1



T11B9059S30

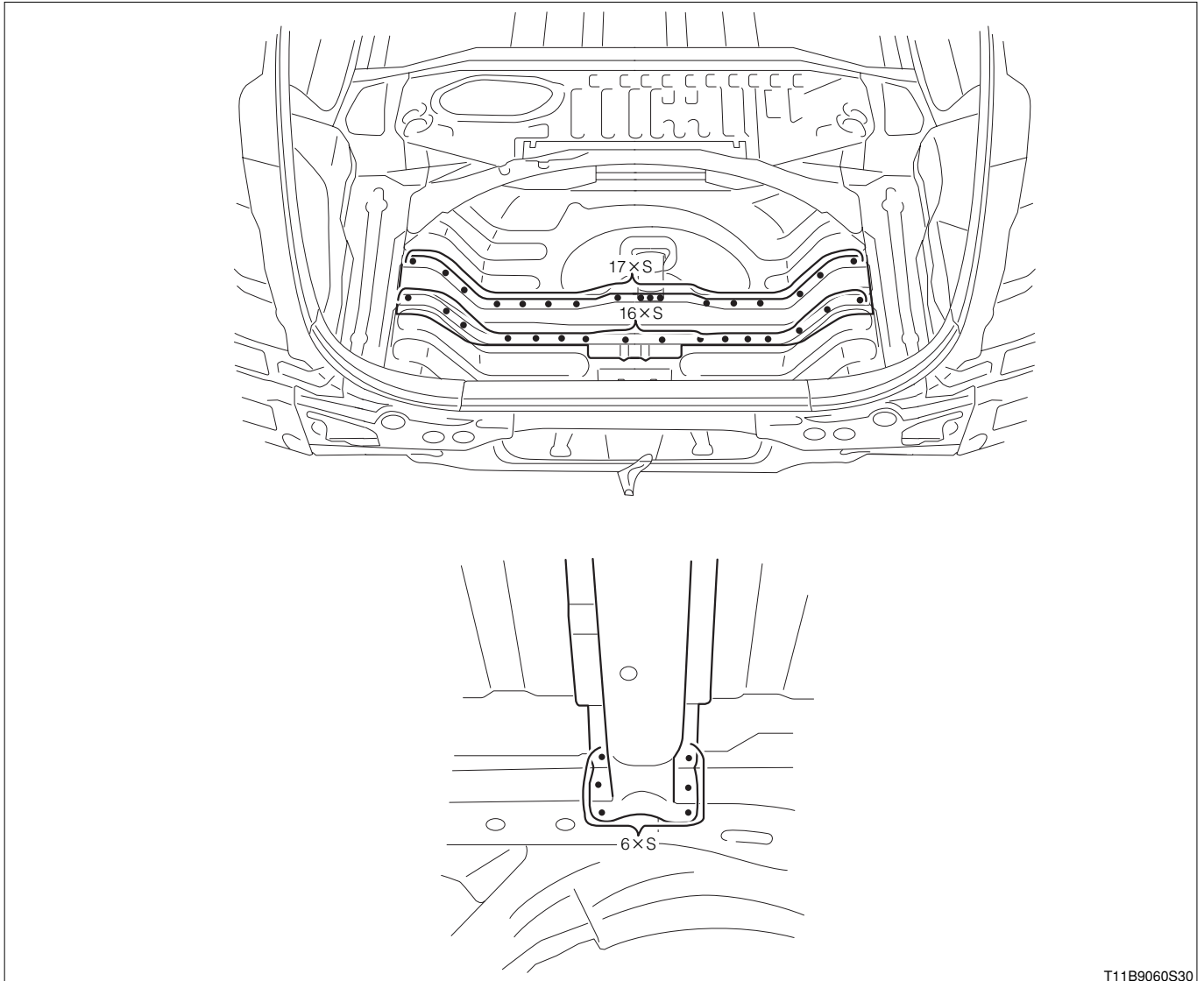
## 16-2-4 OPERATION AFTER INSTALLATION

1. Install the rear floor side panel extension front.
2. Install the rear floor cross member reinforcement No.2.
3. Install the body lower back panel.

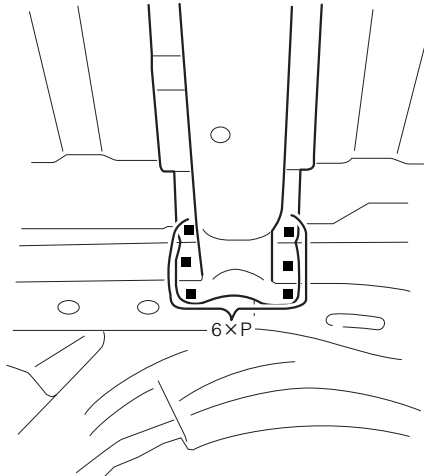
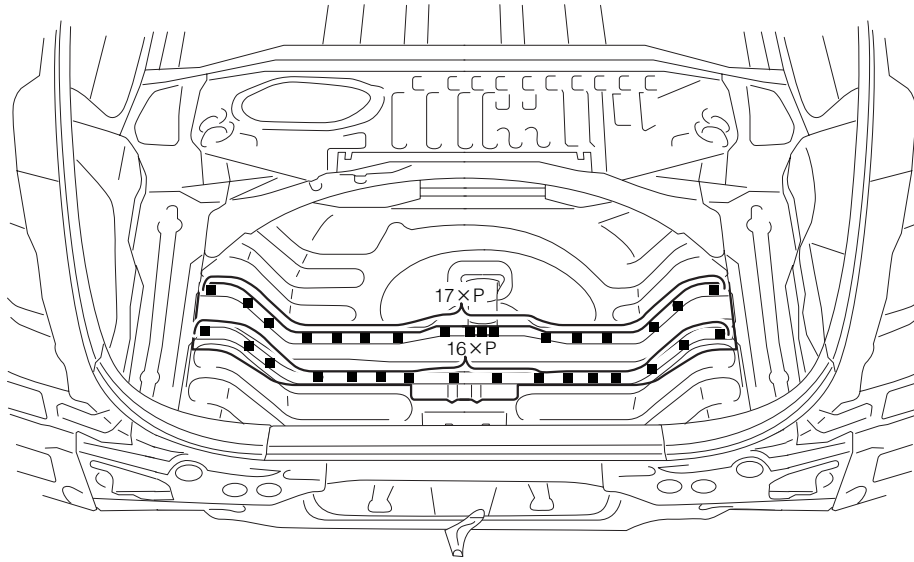
# 17 REAR FLOOR CROSS MEMBER NO.2

## 17-1 REPLACEMENT

### 17-1-1 REMOVAL PROCEDURES



## 17-1-2 INSTALLATION PROCEDURES





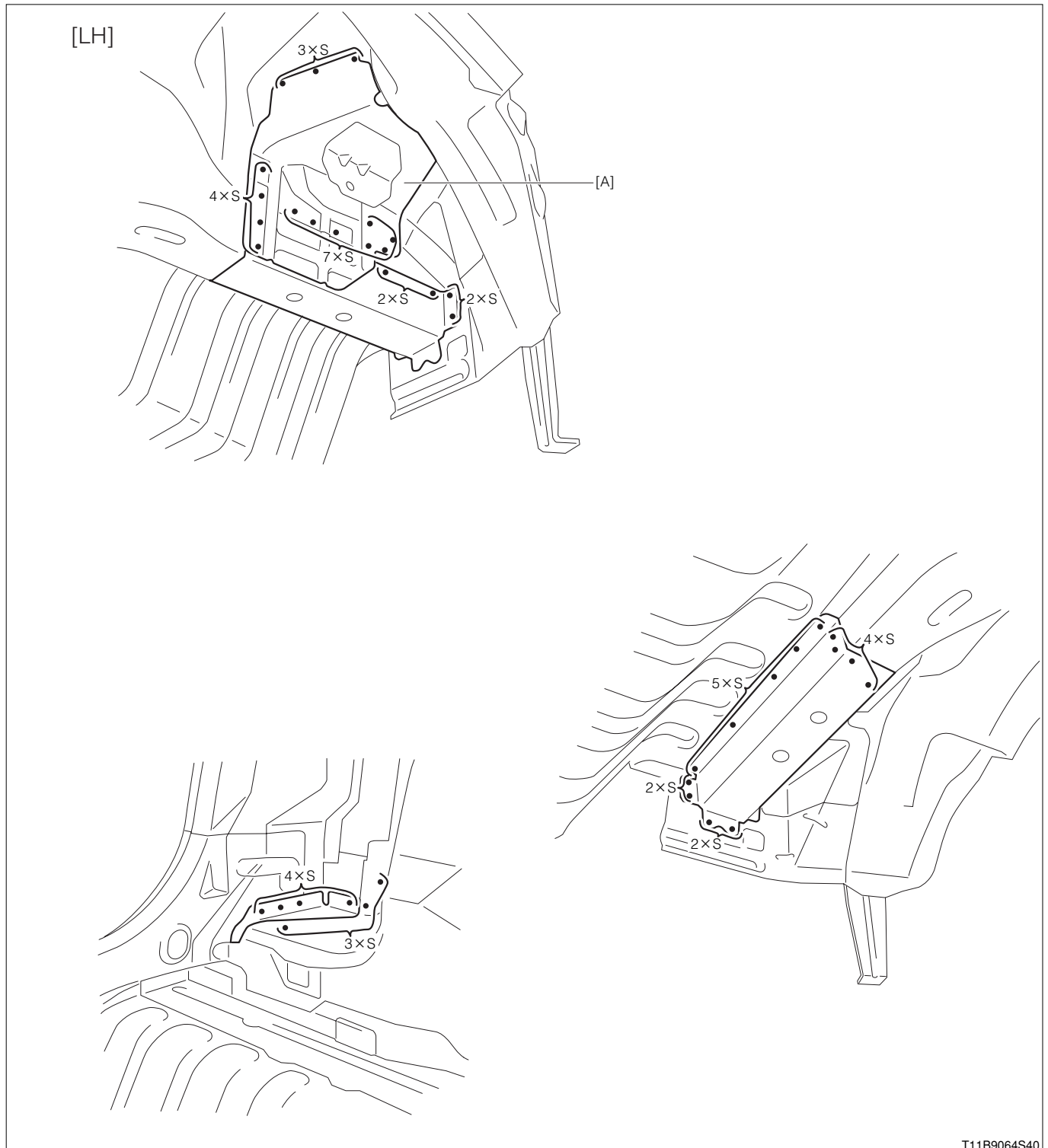
## 18 REAR FLOOR MOUNTING BRACKET NO.2

### 18-1 REPLACEMENT

#### 18-1-1 OPERATION BEFORE REMOVAL

- 1.Remove the necessary part or component of the body lower back panel.
- 2.Remove the necessary part or component of the rear floor cross member No.2.

#### 18-1-2 REMOVAL PROCEDURES

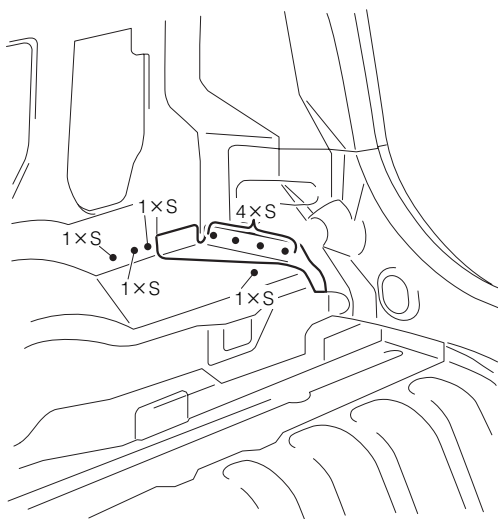
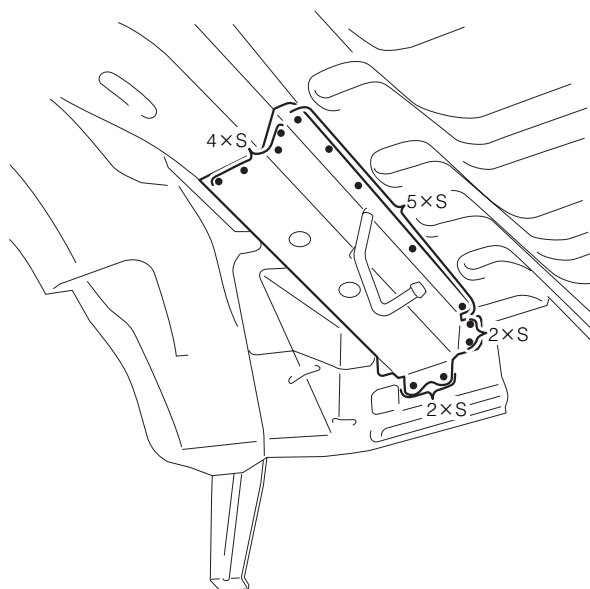
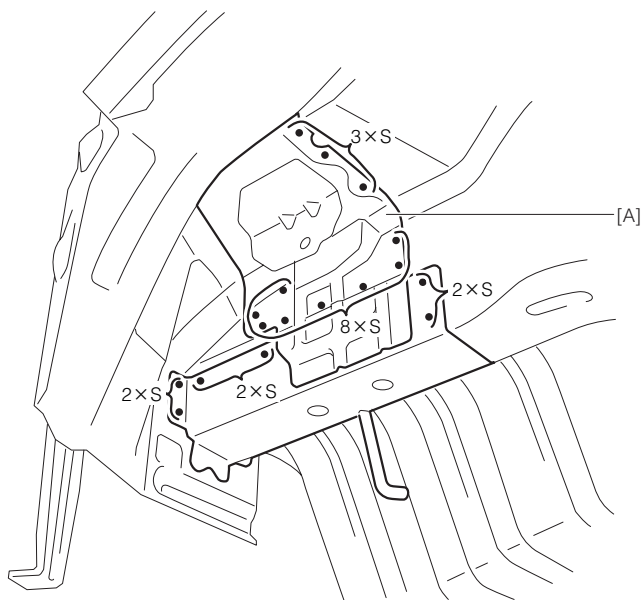


T11B9064S40

[A] Rear shock absorber bracket

- 1.Remove [A] together.

[RH]

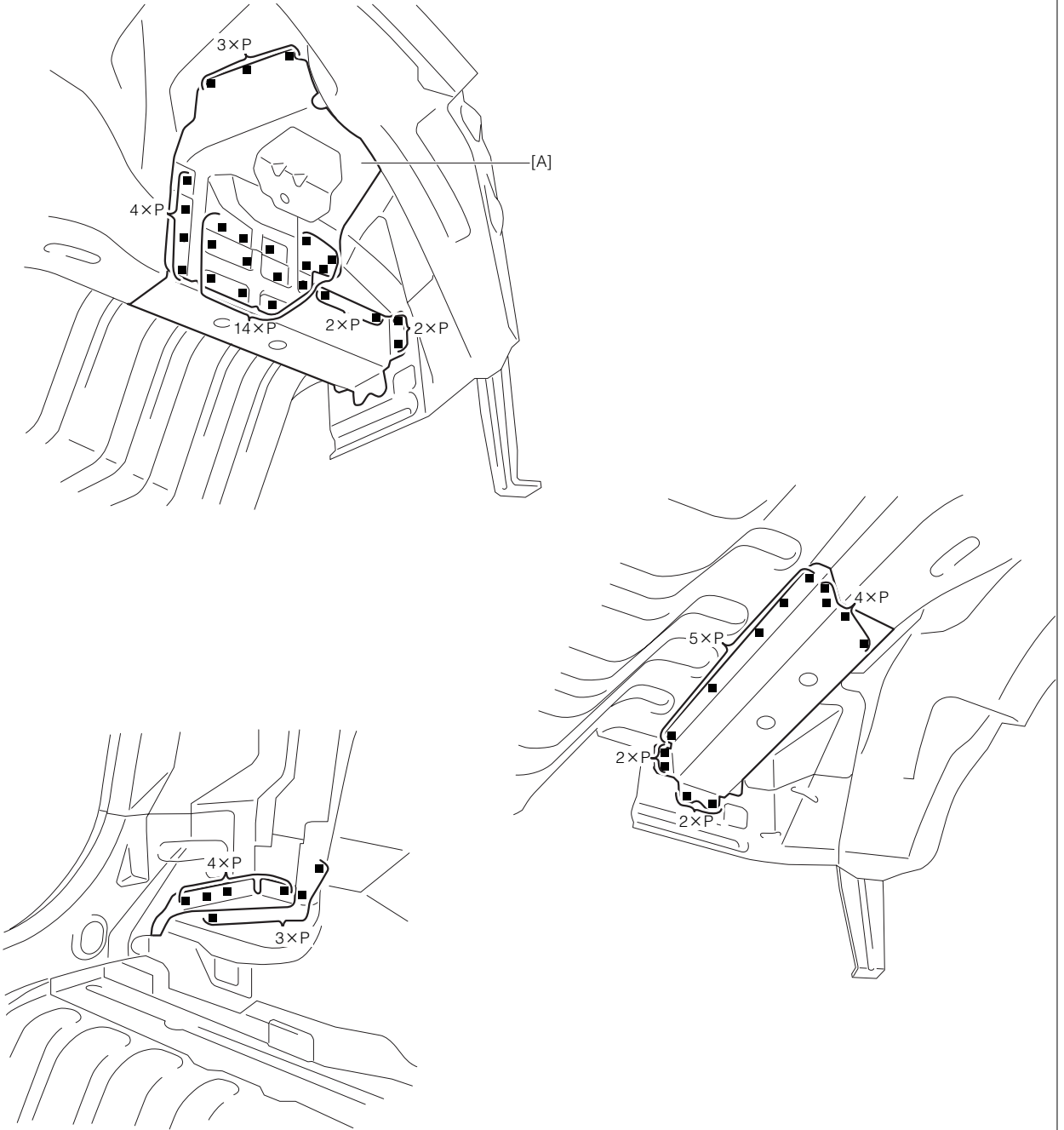


T11B9065S40

[A] Rear shock absorber bracket  
2.Remove [A] together.

18-1-3 INSTALLATION PROCEDURES

[LH]



T11B9066S40

[A] Rear shock absorber bracket

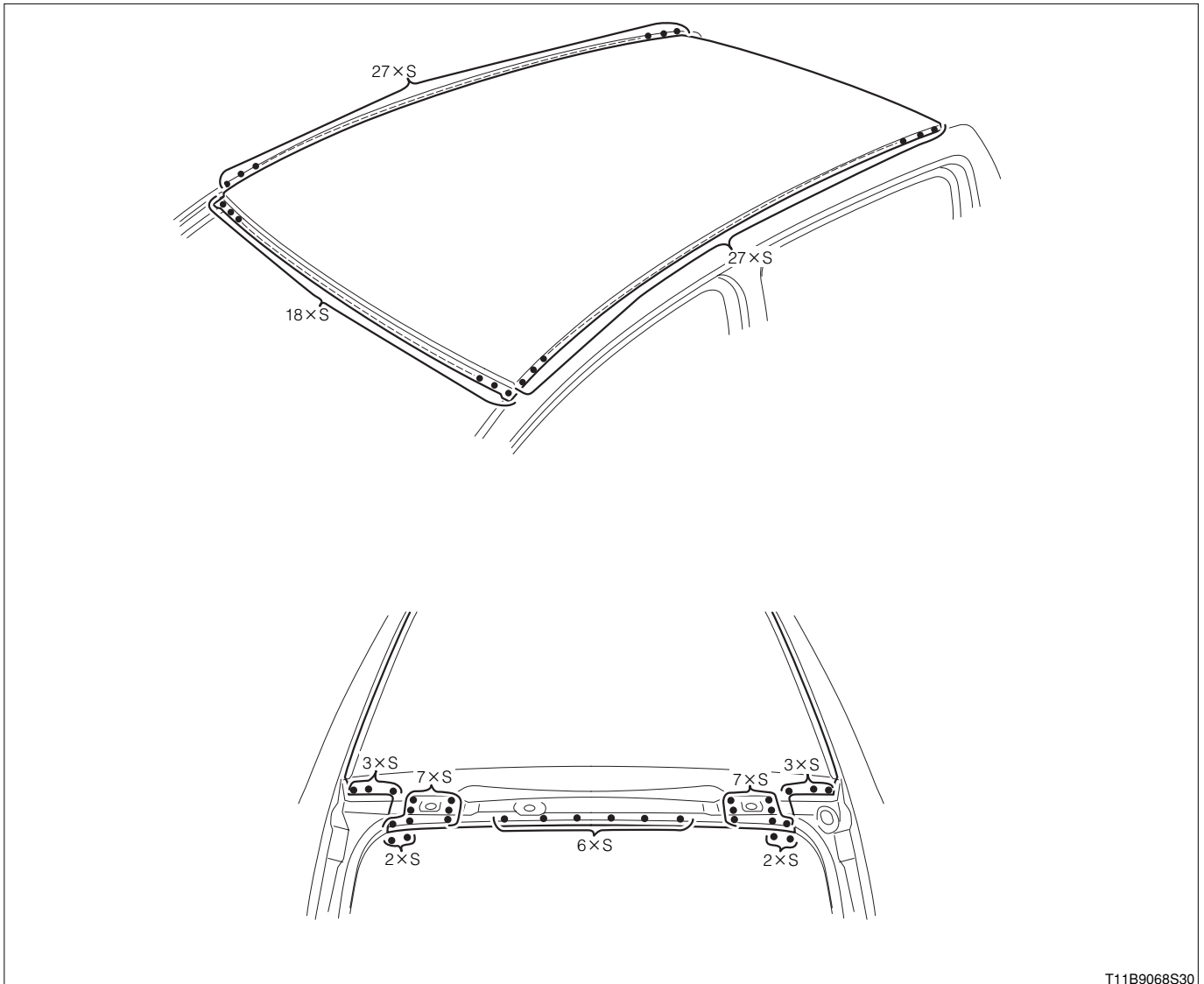


[A] Rear shock absorber bracket

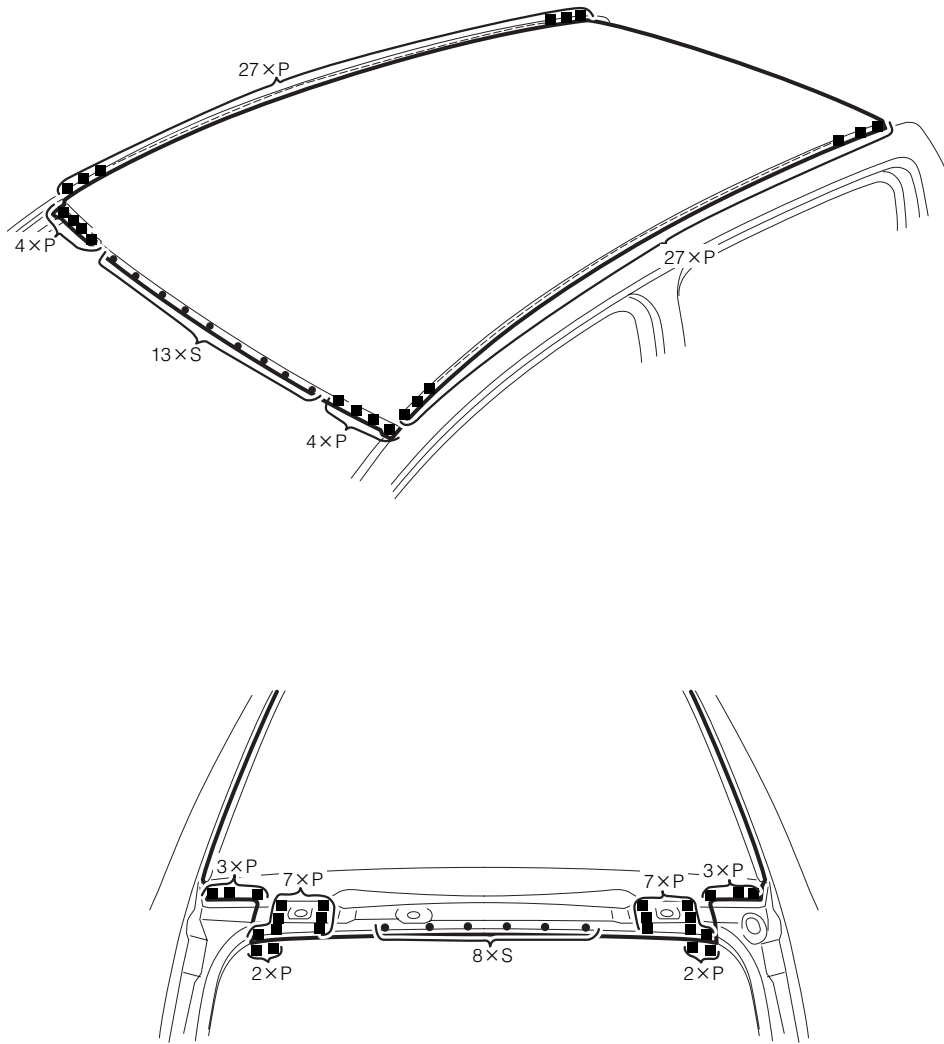
## 18-1-4 OPERATION AFTER INSTALLATION

1. Install the rear floor cross member No.2.
2. Install the body lower back panel.

**19 ROOF PANEL**  
**19-1 REPLACEMENT**  
**19-1-1 REMOVAL PROCEDURES**



## 19-1-2 INSTALLATION PROCEDURES



T11B9069S30