

J4 AUDIO & VISUAL SYSTEM

TUNER AY-----	J4 - 1
REMOVAL AND INSTALLATION -----	J4 - 1
SPEAKER(FRONT SPEAKER)-----	J4 - 3
REMOVAL AND INSTALLATION -----	J4 - 3
SPEAKER(REAR SPEAKER)-----	J4 - 4
REMOVAL AND INSTALLATION -----	J4 - 4
ANTENNA -----	J4 - 5
REMOVAL AND INSTALLATION -----	J4 - 5

1 TUNER AY

1-1 REMOVAL AND INSTALLATION

1-1-1 OPERATION BEFORE REMOVAL

1.Remove the lower instrument panel finish panel S/A.

Refer to Page I2-23.

2.Remove the lower center instrument cluster finish panel S/A.

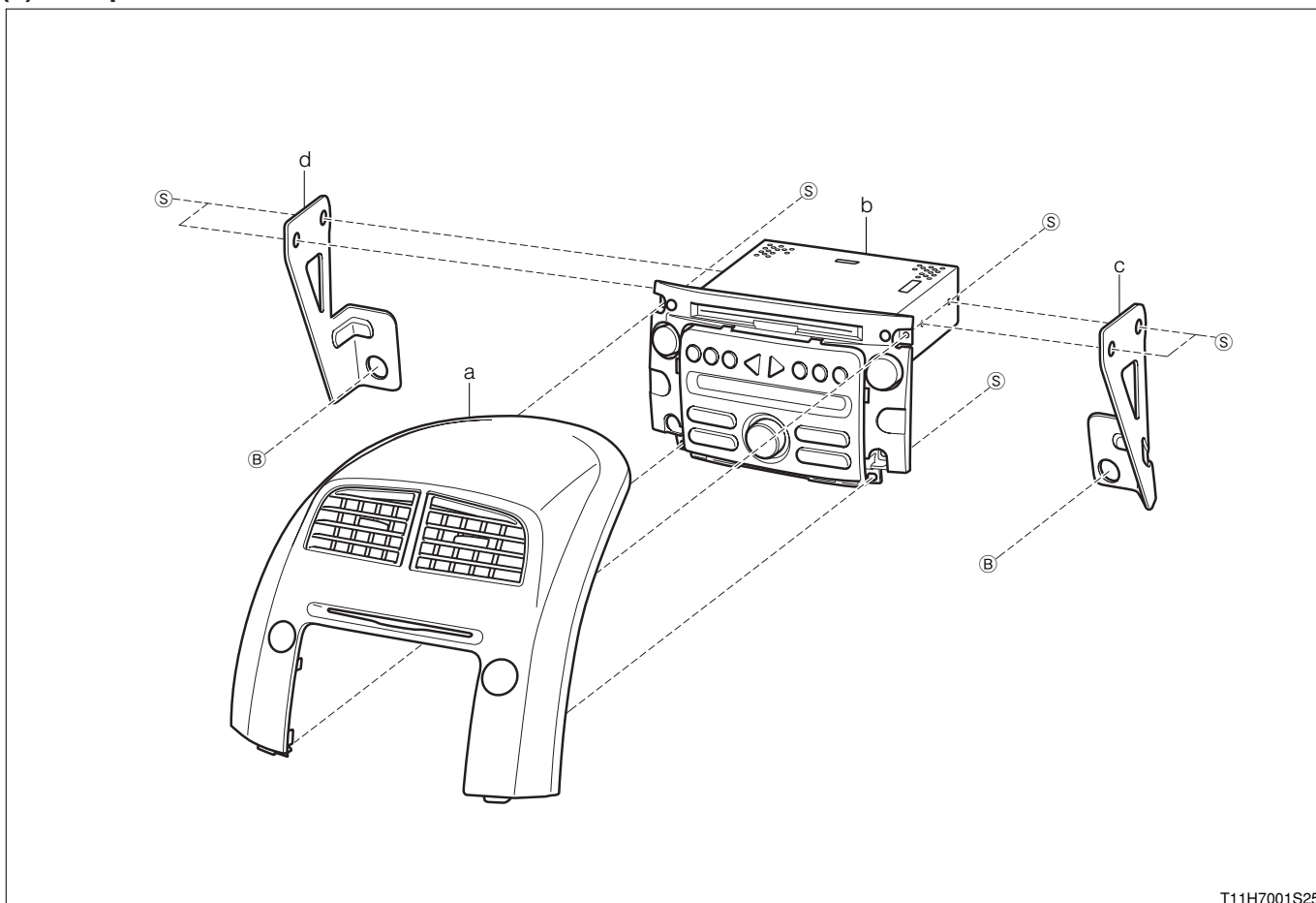
Refer to Page I2-23.

3.Move the heater control Ay until the bolts (2pcs) securing the stereo component tuner Ay can be removed.

Refer to Page K1-7.

1-1-2 REMOVAL AND INSTALLATION PROCEDURES

(1) Components



T11H7001S25

(2) Removal and installation procedures

- 1 a Panel S/A, instrument cluster finish, center
- ▼ 2 b Tuner Ay, stereo component
- 3 c Bracket, radio receiver A
- 4 d Bracket, radio receiver B

1-1-3 POINTS OF REMOVAL

(1) Tuner Ay, stereo component

1.The tuner Ay is secured on the center instrument cluster finish panel S/A by screws (4pcs). First remove the whole panel S/A from the vehicle. Then remove the screws (4pcs) to remove the tuner Ay.

1-1-4 OPERATION AFTER INSTALLATION

1.Reinstall the heater control Ay.

Refer to Page K1-7.

2.Install the lower center instruent cluster finish panel S/A.

Refer to Page I2-23.

3.Install the lower instruent panel finish panel S/A.

Refer to Page I2-23.

2 SPEAKER(FRONT SPEAKER)

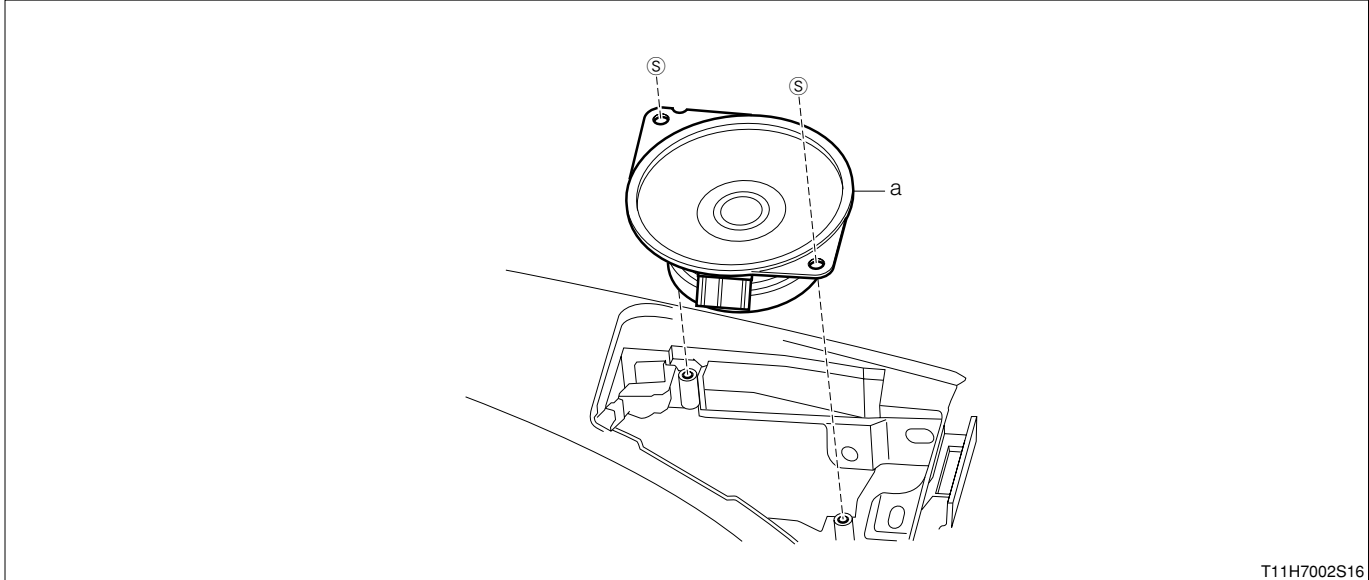
2-1 REMOVAL AND INSTALLATION

2-1-1 OPERATION BEFORE REMOVAL

- 1.Remove the RH/LH speaker grille.
Refer to Page I2-23.

2-1-2 REMOVAL AND INSTALLATION PROCEDURES

(1) Components



T11H7002S16

(2) Removal and installation procedures

- 1 a Speaker Ay, radio (RH/LH)

2-1-3 OPERATION AFTER INSTALLATION

- 1.Install the RH/LH speaker grille.
Refer to Page I2-23.

3 SPEAKER(REAR SPEAKER)

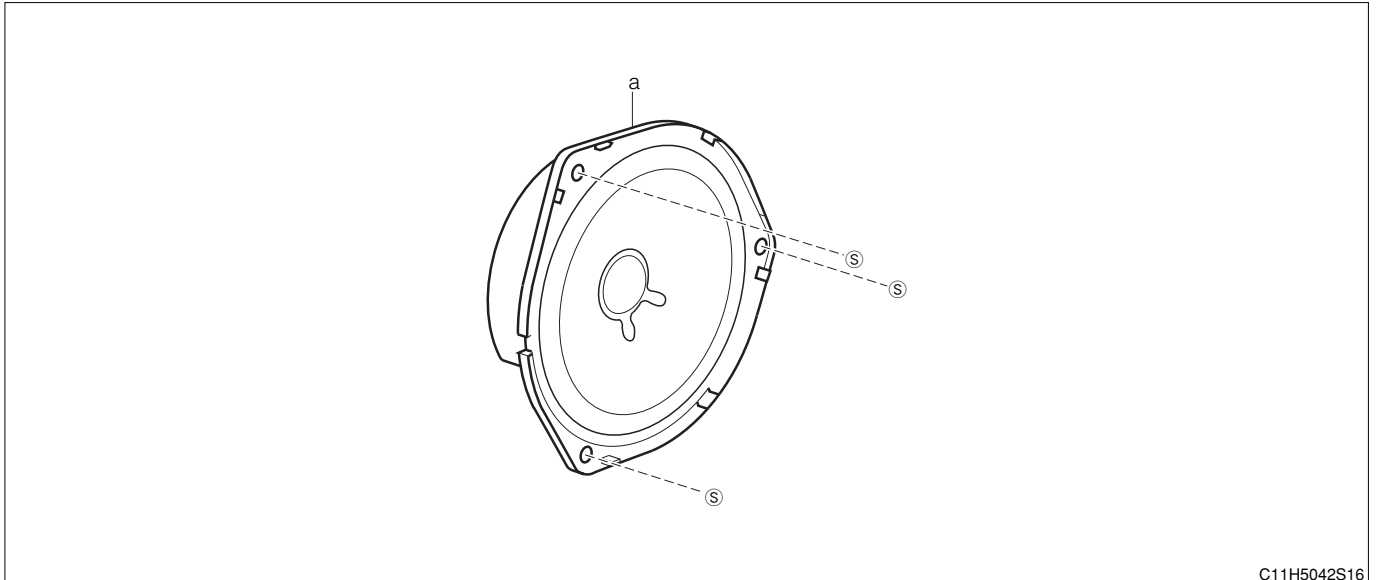
3-1 REMOVAL AND INSTALLATION

3-1-1 OPERATION BEFORE REMOVAL

- 1.Remove the lower RH/LH rear door trim board Ay.
Refer to Page I1-15.

3-1-2 REMOVAL AND INSTALLATION PROCEDURES

(1) Components



C11H5042S16

(2) Removal and installation procedures

- 1 a Speaker Ay, radio (RH/LH)

3-1-3 OPERATION AFTER INSTALLATION

- 1.Install the lower RH/LH rear door trim board Ay.
Refer to Page I1-15.

4 ANTENNA

4-1 REMOVAL AND INSTALLATION

4-1-1 ARTICLES TO BE PREPARED

Instrument

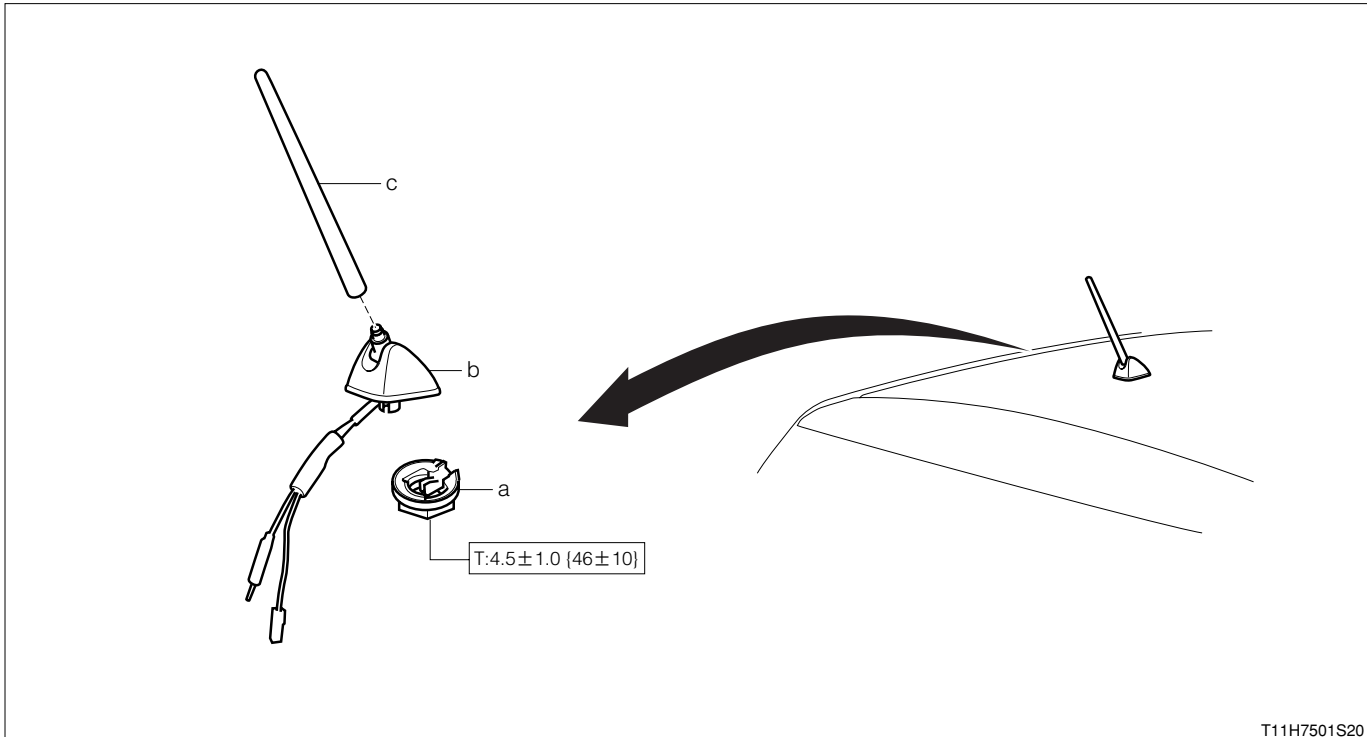
Torque wrench

4-1-2 OPERATION BEFORE REMOVAL

1. Remove the roof head lining Ay.
Refer to Page I2-53.

4-1-3 REMOVAL AND INSTALLATION PROCEDURES

(1) Components



T11H7501S20

Unit:N·m{kgf·cm}

(2) Removal and installation procedures

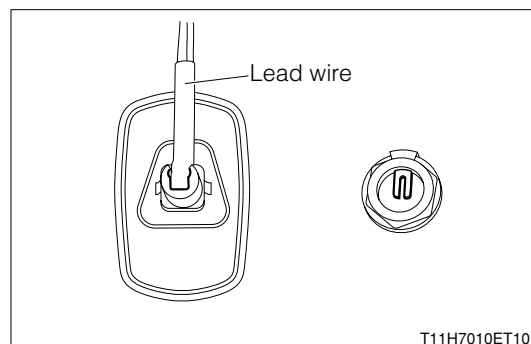
- ▲ 1 a Nut, antenna
- 2 b Antenna Ay, amplifier
- 3 c Rod, antenna

4-1-4 POINTS OF INSTALLATION

(1) Nut, antenna

1. Place a lead along the U-shaped slot of the antenna Ay amplifier. Place the nut in the direction of the lead, and tighten it to the specified torque.

TIGHTENING TORQUE: $4.5 \pm 1.0 \text{ N} \cdot \text{m}$ { $46 \pm 10 \text{ kgf} \cdot \text{cm}$ }



T11H7010ET10

4-1-5 OPERATION AFTER INSTALLATION

1. Install the roof head lining Ay.
Refer to Page I2-53.