

## J1 LIGHTING

LIGHTING -----	J1 - 1	ROOM LAMP BULB-----	J1 - 22
INSTRUCTIONS FOR SERVICE		REMOVAL AND INSTALLATION -----	J1 - 22
OPERATION -----	J1 - 1	ROOM LAMP BULB	
ARTICLES TO BE PREPARED-----	J1 - 1	(LUGGAGE ROOM LAMP)-----	J1 - 23
BASIC CHECK AND ADJUSTMENT---	J1 - 1	REMOVAL AND INSTALLATION -----	J1 - 23
FUNCTION CHECK-----	J1 - 5	HEADLAMP DIMMER SWITCH AY-----	J1 - 24
UNIT CHECK -----	J1 - 5	REMOVAL AND INSTALLATION -----	J1 - 24
HEADLAMP AY -----	J1 - 8		
REMOVAL AND INSTALLATION -----	J1 - 8		
FRONT FOG LAMP AY -----	J1 - 9		
REMOVAL AND INSTALLATION -----	J1 - 9		
SIDE TURN SIGNAL LAMP AY -----	J1 - 11		
REMOVAL AND INSTALLATION-----	J1 - 11		
REAR COMBINATION LAMP AY -----	J1 - 12		
REMOVAL AND INSTALLATION -----	J1 - 12		
HIGH MOUNTED STOP LAMP AY -----	J1 - 13		
REMOVAL AND INSTALLATION -----	J1 - 13		
LICENSE PLATE LAMP AY -----	J1 - 14		
REMOVAL AND INSTALLATION -----	J1 - 14		
ROOM LAMP AY			
(FRONT MAP LAMP) -----	J1 - 15		
REMOVAL AND INSTALLATION -----	J1 - 15		
ROOM LAMP AY -----	J1 - 16		
REMOVAL AND INSTALLATION -----	J1 - 16		
ROOM LAMP AY			
(LUGGAGE ROOM LAMP)-----	J1 - 17		
REMOVAL AND INSTALLATION -----	J1 - 17		
HEADLAMP BULB-----	J1 - 18		
REMOVAL AND INSTALLATION -----	J1 - 18		
CLEARANCE LAMP BULB-----	J1 - 19		
REMOVAL AND INSTALLATION -----	J1 - 19		
FRONT TURN SIGNAL LAMP BULB ---	J1 - 20		
REMOVAL AND INSTALLATION -----	J1 - 20		
FRONT FOG LAMP BULB -----	J1 - 21		
REMOVAL AND INSTALLATION -----	J1 - 21		
SIDE TURN SIGNAL LAMP BULB-----	J1 - 22		
REMOVAL AND INSTALLATION -----	J1 - 22		
TAIL AND STOP LAMP BULB-----	J1 - 22		
REMOVAL AND INSTALLATION -----	J1 - 22		
REAR TURN SIGNAL LAMP BULB -----	J1 - 22		
REMOVAL AND INSTALLATION -----	J1 - 22		
BACK UP LAMP BULB-----	J1 - 22		
REMOVAL AND INSTALLATION -----	J1 - 22		
REAR FOG LAMP BULB -----	J1 - 22		
REMOVAL AND INSTALLATION -----	J1 - 22		
HIGH MOUNTED STOP LAMP BULB --	J1 - 22		
REMOVAL AND INSTALLATION -----	J1 - 22		
LICENSE PLATE LAMP BULB -----	J1 - 22		
REMOVAL AND INSTALLATION -----	J1 - 22		
ROOM LAMP BULB			
(FRONT MAP LAMP BULB) -----	J1 - 22		
REMOVAL AND INSTALLATION -----	J1 - 22		

## 1 LIGHTING

### 1-1 INSTRUCTIONS FOR SERVICE OPERATION

#### 1-1-1 ITEMS TO BE OBSERVED DURING REPLACEMENT OF EACH LAMP

1. Halogen lamps become very high temperature while they are operated. When grease etc gets to the bulb surface, the bulb life will be shortened. Therefore, hold the flange section during the replacement. Do not allow your hand to touch the glass section.
2. If your hand should touch the bulb, degrease the affected section using alcohol etc. and proceed to assemble it to the lamp.
3. In the case of halogen lamps, the pressure inside the glass bulb is very high. Hence, if the bulb is dropped or hit or scratched, it is prone to be broken and the glass be scattered around.
4. If the bulb is left in a detached state for a prolonged period of time, there are possibilities that dirt or humidity gets to the lens. Therefore, when the bulb is to be replaced, first prepare a new bulb and then start to replace it.
5. The bulb should be replaced by a bulb with the same wattage.
6. Improper installation of the socket will cause the lens to be misted or allow water to be admitted. After completion of the bulb replacement, make sure to install the socket correctly.

#### 1-2 ARTICLES TO BE PREPARED

Instrument

Electrical Tester
-------------------

### 1-3 BASIC CHECK AND ADJUSTMENT

#### 1-3-1 HEADLAMP PHOTOMETRIC AXIS ADJUSTMENT

##### (1) Operation prior to photometric axis adjustment

1. Adjust the tire air inflation pressure to the specified value.
2. Seat one person at the Driver's seat.
3. Replenish oils to the specified levels. Fill gasoline to the full capacity.
4. Mount the tools, jack and spare tire at the specified positions.
5. Rock the vehicle in the up-and-down direction as well as in the right-and-left direction so that the suspension may bed well.
6. Set the engine speed to a level of 1500 rpm or more. (If the engine speed is too low, the lamp terminal voltage drops, thus making it difficult to recognize the cut-off line.)

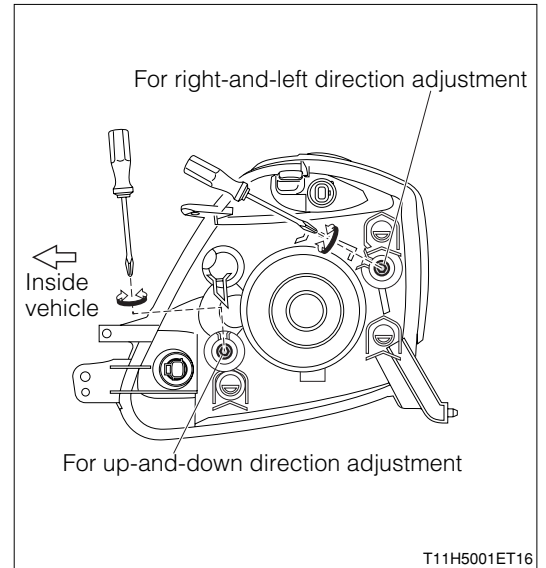
##### NOTE

- Cut-off line: Boundary line between the bright zone and dark zone in the low beam.

7. In the case of motor vehicles equipped with a headlamp levelling switch, set the levelling switch to the zero position.

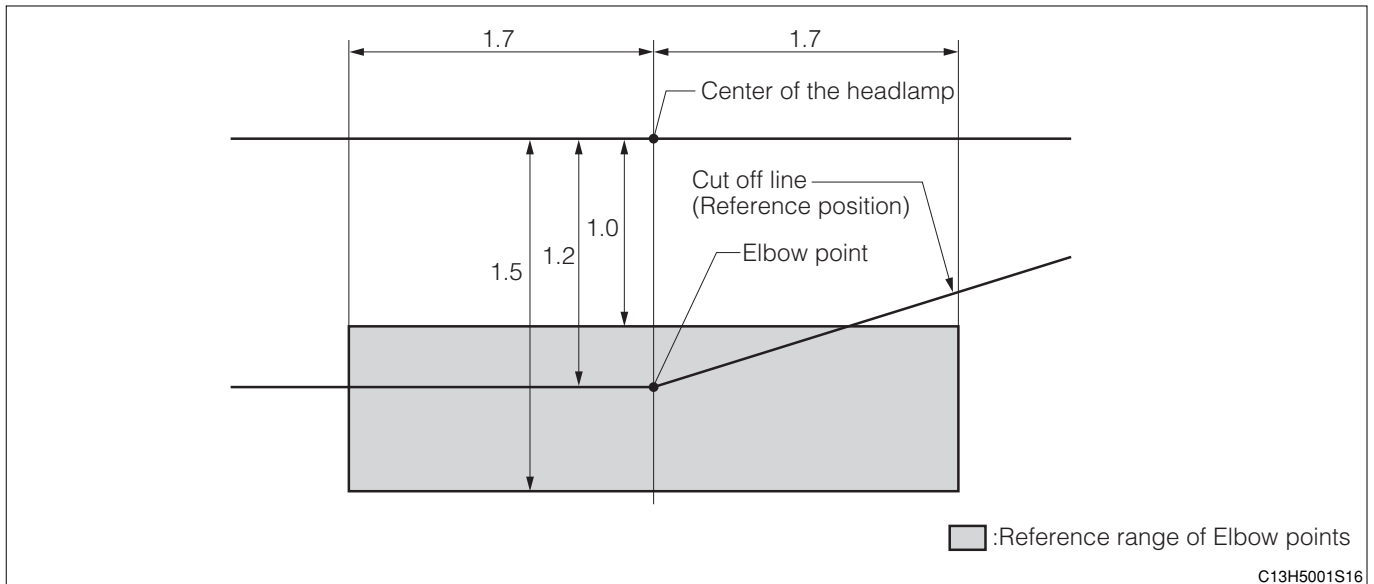
**(2) Photometric axis adjustment**

1. Adjust the photometric axis of the low beam according to the instruction manual of the headlamp tester to be used.



**Reference range of cut-off line elbow points**

Vertical position	Range from 1.0% to 1.5% below the horizontal line that passes through the lamp center (Reference position: 1.2% below)
Horizontal position	Range between 1.7 % right and left from the vertical line that passes through the lamp center: (Reference position: On the vertical line that passes through the lamp center)



Unit : %

**NOTE**

- Elbow point: Point where the cut-off line is articulated

**1-3-2 FRONT FOG LAMP PHOTOMETRIC AXIS ADJUSTMENT**

**(1) Operation prior to photometric axis adjustment**

1. Turn over the shield S/A, fender splash, front RH/LH to such an extent that the photometric axis adjustment can be done.

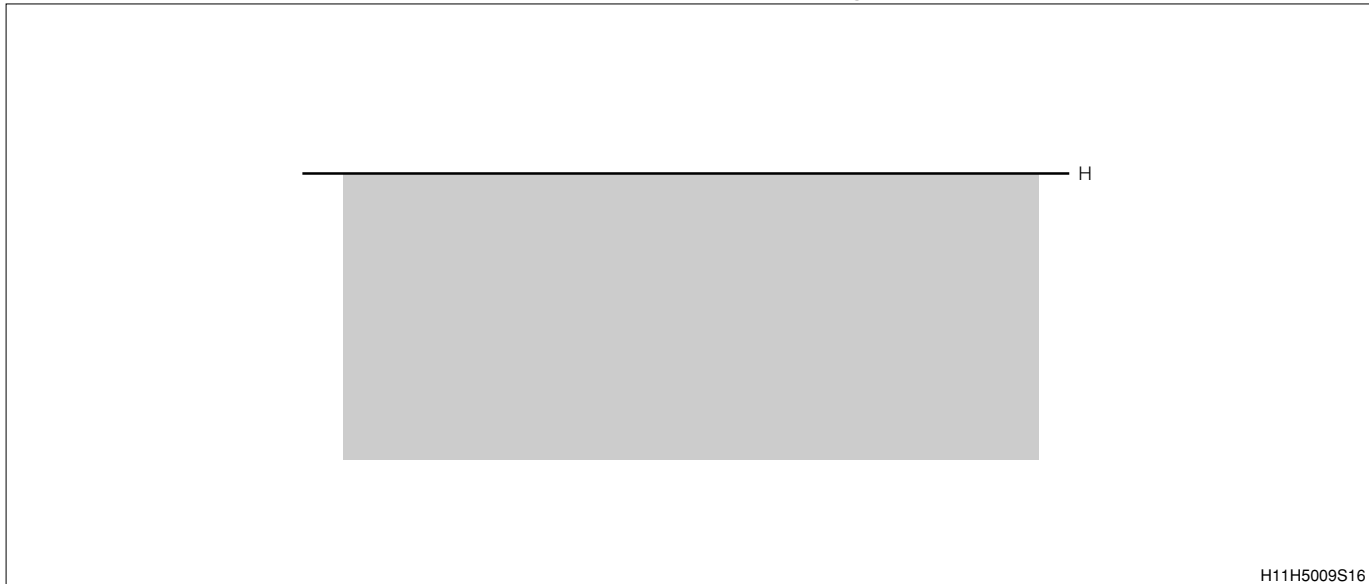
Refer to Page I1-24.

2. Adjust the tire air inflation pressure to the specified value.
3. Set the engine speed to a level of 1500 rpm or more.

# J1-3

## (2) Photometric axis adjustment

1. Prepare a screen for the adjustment use as indicated in the figure.



H11H5009S16

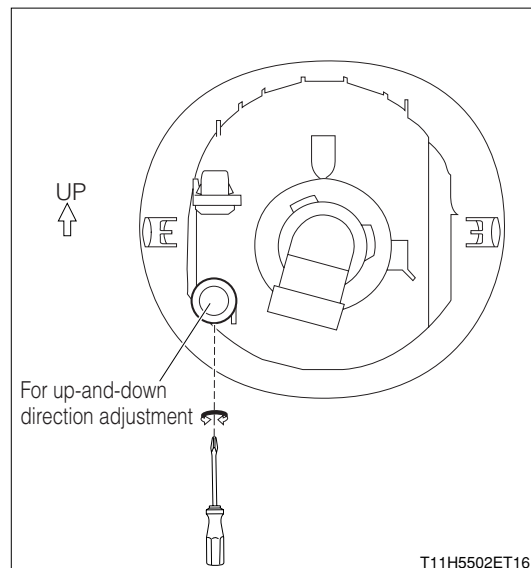
2. Place the screen normally at a distance of three meters ahead of the lamp. Align line H with the center of the front fog lamp.

- This normal placing can be carried out easily when a screen is affixed to the lens of the headlamp tester.

3. Turn ON the front fog lamp. Perform adjustment in such a way that the light distribution comes in the shaded section on the screen.

### NOTE

- Perform the adjustment by turning the aiming screw in the tightened direction. (When performing the adjustment in the loosening direction, first loosen the screw, then turn it in the tightened direction.)
- There is no screw for the right-and-left direction adjustment.
- The figure shows the right side front fog lamp.



T11H5502ET16

**1-3-3 MANUAL HEADLAMP LEVELING OPERETION CHECK**

1.Perform the photometric axis adjustment for the headlamp.

Refer to Page J1-1.

2.Place the screen normally at a distance of three meters ahead of the lamp.

**NOTE**

- This normal placing can be carried out easily when a screen is affixed to the lens of the headlamp tester.

3.Turn the headlamp leveling switch 0-1-2-3-4-5. At this time, check the vertical movement amount on the photometric axis.

**Headlamp leveling switch**

Position	Movement amount (mm)
0 – 1	30
1 – 2	30
2 – 3	30
3 – 4	30
4 – 5	30

**1-3-4 OPERATION CHECK OF LIGHTING DEVICES**

1.Visually check the operation of lamps, etc. provided on the vehicle surface.

- (1) Headlamp(Hi-Lo change)
- (2) Clearance lamp
- (3) Tail lamp
- (4) Stop lamp
- (5) Back-up lamp
- (6) License plate lamp
- (7) Turn signal lamp
- (8) Hazard lamp
- (9) Fog lamp

**SPECIFIED VALUE:** Illuminates or flashes normally.

2.Visually check the operation of the room lamp.

**SPECIFIED VALUE:** Illuminates normally.

**1-3-5 CHECK OF LIGHTING DEVICE FOR INSTALLING CONDITION**

1.Shake the lamps, etc. by hand and check the installing condition.

**SPECIFIED VALUE:** There should be no excessive play.

2.Check that the lens or reflector of the lamp has no damage such as discoloration and crack. Also check that they are not smeared and that no water has been admitted in the lamp.

**SPECIFIED VALUE:** There should be no discoloration nor cracks.

**SPECIFIED VALUE:** There should be no contamination nor admission of water.

# J1-5

## 1-4 FUNCTION CHECK

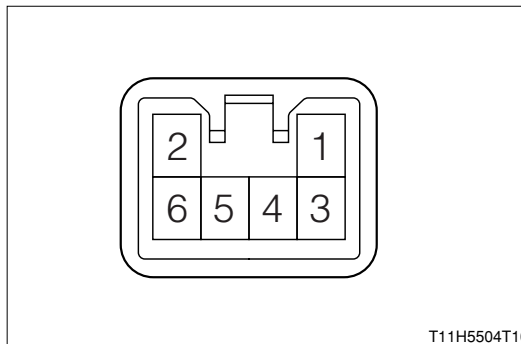
### 1-4-1 HEADLAMP LEVELING SWITCH

#### (1) Voltage test

1. With the connector connected, operate the headlamp leveling switch. At this time, working from the back of the connector, check the voltage between the connector terminals using an electrical tester.

#### Specified value

Switch position	Terminal No.	Voltage (At time of battery voltage of 12 V)
0	4(LH) and 5(RH) - 2(GND)	10.4 - 11.2V
1	4(LH) and 5(RH) - 2(GND)	9.2 - 9.9V
2	4(LH) and 5(RH) - 2(GND)	7.9 - 8.6V
3	4(LH) and 5(RH) - 2(GND)	6.6 - 7.3V
4	4(LH) and 5(RH) - 2(GND)	5.3 - 6.0V
5	4(LH) and 5(RH) - 2(GND)	4.0 - 4.8V



## 1-5 UNIT CHECK

### 1-5-1 HEADLAMP DIMMER SWITCH(VEHICLE WHERE IT IS INSTALLED AT THE RIGHT SIDE THE COLUMN)

1. Check continuity between terminals in each state.

#### Light control switch

Switch condition	Terminal No.	Standard
TAIL	5 - 8	Continuity exists.
HEAD	5 - 8, 6 - 7	Continuity exists.

#### Headlamp dimmer switch

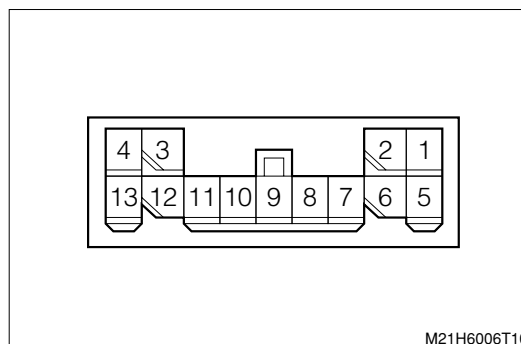
Switch condition	Terminal No.	Standard
FLASH	6 - 7 - 9	Continuity exists.
LOW BEAM	7 - 10	Continuity exists.
HIGH BEAM	7 - 9	Continuity exists.

#### Turn signal switch

Switch condition	Terminal No.	Standard
RIGHT	12 - 13	Continuity exists.
LEFT	11 - 12	Continuity exists.

#### Front fog lamp switch

Switch condition	Terminal No.	Standard
ON	1 - 3	Continuity exists.



## 1-5-2 HEADLAMP DIMMER SWITCH(VEHICLE WHERE IT IS INSTALLED AT THE LEFT SIDE OF THE CULUMN)

1.Check continuity between terminals in each state.

### Light control switch

Switch condition	Terminal No.	Standard
TAIL	10 – 13	Continuity exists.
HEAD	10 – 13, 11 – 12	Continuity exists.

### Headlamp dimmer switch

Switch condition	Terminal No.	Standard
FLASH	9 – 11 – 12	Continuity exists.
LOW BEAM	8 – 11	Continuity exists.
HIGH BEAM	9 – 11	Continuity exists.

### Turn signal switch

Switch condition	Terminal No.	Standard
RIGHT	6 – 7	Continuity exists.
LEFT	5 – 6	Continuity exists.

### Front fog lamp switch

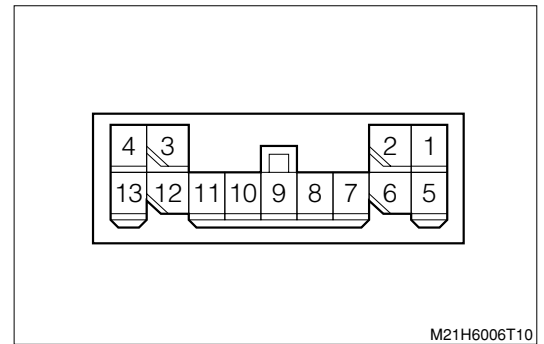
Switch condition	Terminal No.	Standard
ON	2 – 4	Continuity exists.

### Rear fog lamp switch

Switch condition	Terminal No.	Standard
ON	3 – 4	Continuity exists.

### Front fog lamp switch + Rear fog lamp switch

Switch condition	Terminal No.	Standard
ON(Front fog lamp)	2 – 4	Continuity exists.
OFF(Front fog lamp switch + Rear fog lamp switch)	2 – 3 – 4	Continuity exists.

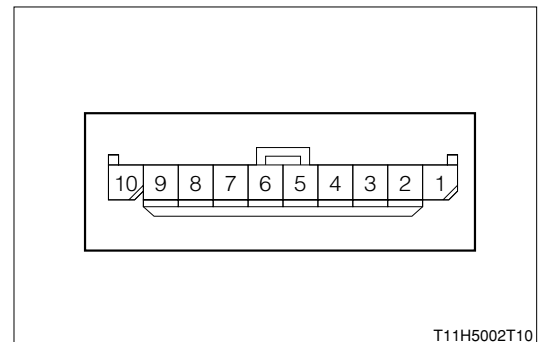


M21H6006T10

## 1-5-3 HAZARD SWITCH(HEATER CONTROL AY )

1.Check continuity between terminals when the hazard switch is turned ON.

Switch condition	Terminal No.	Standard
ON	2 – 3	Continuity exists.

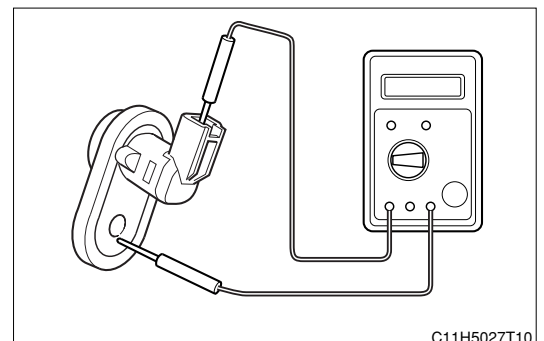


T11H5002T10

## 1-5-4 COURTESY SWITCH

1.Check the continuity between the switch connector terminal and the switch body.

Switch condition	Standard
When free	Continuity exists.
When pushed	No continuity exists.



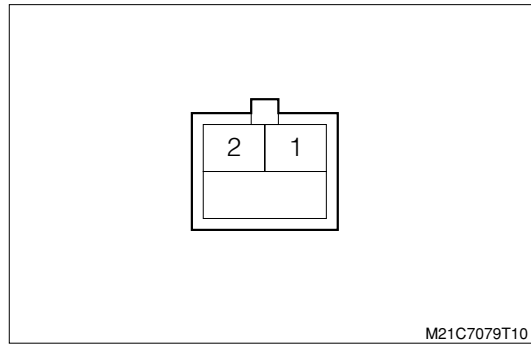
C11H5027T10

# J1-7

## 1-5-5 STOP LAMP SWITCH

1. Check continuity between the switch connector terminals.

Switch condition	Standard
When free	Continuity exists.
When pushed	No continuity exists.

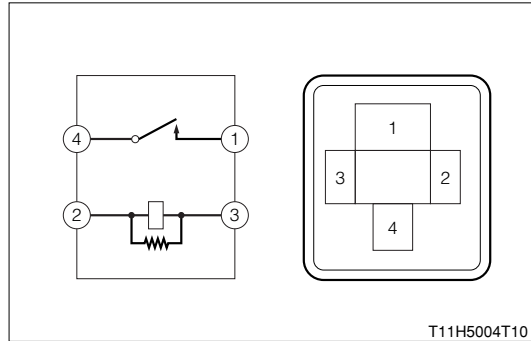


M21C7079T10

## 1-5-6 HEADLAMP RELAY

1. Check continuity between the respective terminals of the connector.

Terminal No.	Standard
1 - 4	No continuity exists.
2 - 3	Continuity exists.



T11H5004T10

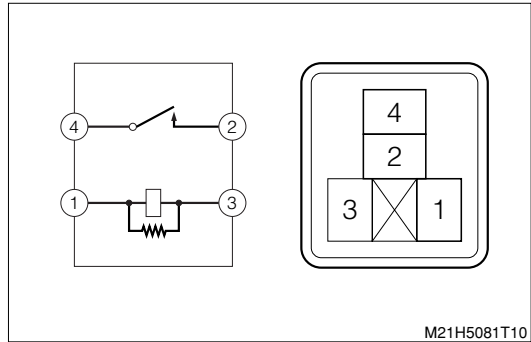
2. Apply the battery voltage between the terminals 2 and 3. At this time, check continuity between the terminals 1 and 4.

**SPECIFIED VALUE:** Continuity exists.

## 1-5-7 FOG LAMP RELAY

1. Check continuity between the respective terminals of the connector.

Terminal No.	Standard
2 - 4	No continuity exists.
1 - 3	Continuity exists.



M21H5081T10

2. Apply the battery voltage between the terminals 1 and 3. At this time, check continuity between the terminals 2 and 4.

**SPECIFIED VALUE:** Continuity exists.



## 2 HEADLAMP AY

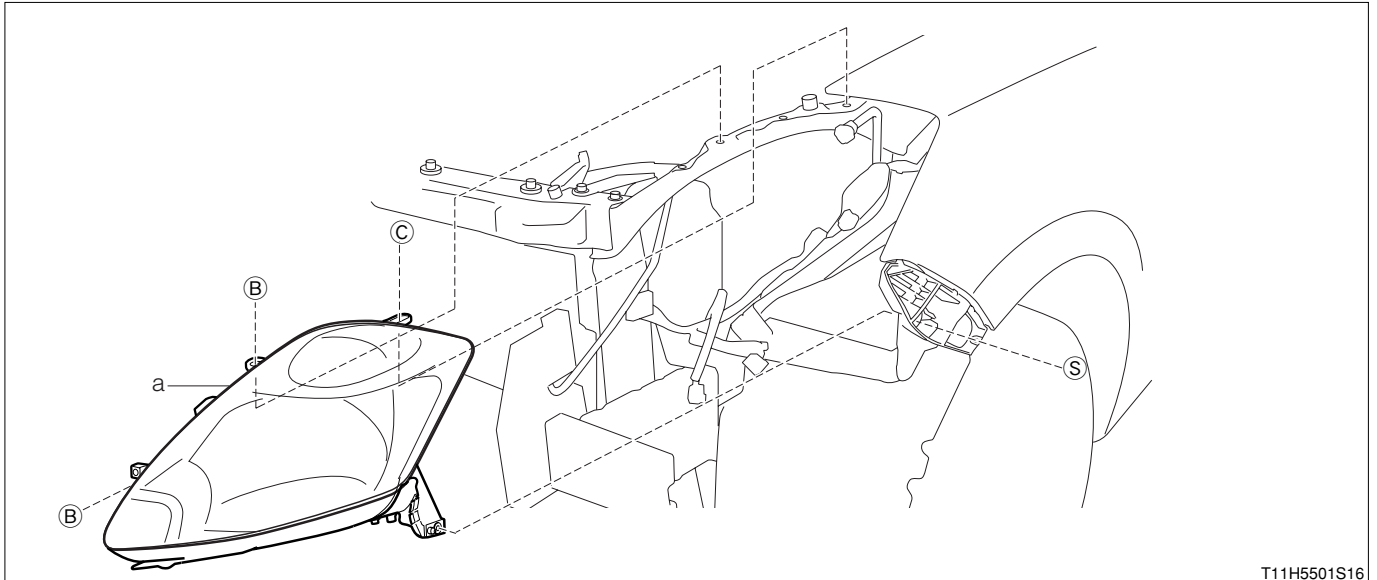
### 2-1 REMOVAL AND INSTALLATION

#### 2-1-1 OPERATION BEFORE REMOVAL

- 1.Remove the front bumper cover.  
Refer to Page I2-2.

#### 2-1-2 REMOVAL AND INSTALLATION PROCEDURES

##### (1) Components



T11H5501S16

##### (2) Removal and installation procedures

- 1 a Headlamp Ay, RH/LH

#### 2-1-3 OPERATION AFTER INSTALLATION

- 1.Install the front bumper cover.  
Refer to Page I2-2.
- 2.Perform the photometric axis adjustment for the headlamp.  
Refer to Page J1-1.

# J1-9

## 3 FRONT FOG LAMP AY

### 3-1 REMOVAL AND INSTALLATION

#### 3-1-1 OPERATION BEFORE REMOVAL

- 1.Remove the front bumper cover.  
Refer to Page I2-4.

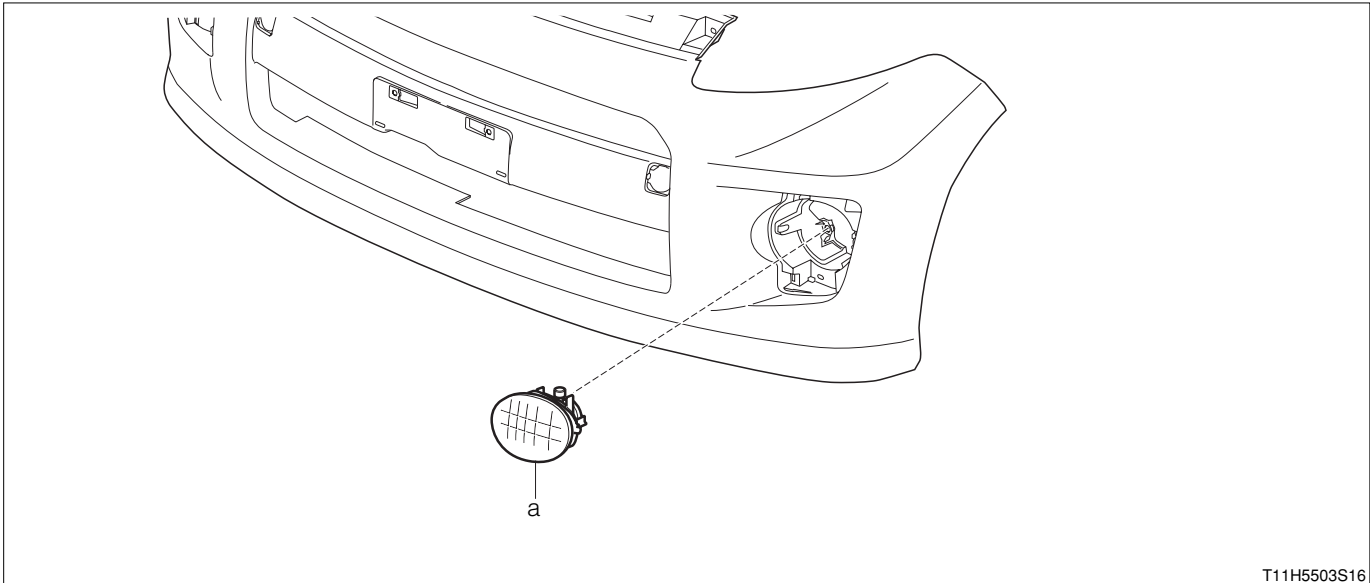
#### 3-1-2 REMOVAL AND INSTALLATION PROCEDURES

#### 3-1-3 ARTICLES TO BE PREPARED

Lubricant, adhesive, others

Protective tape

#### (1) Components



T11H5503S16

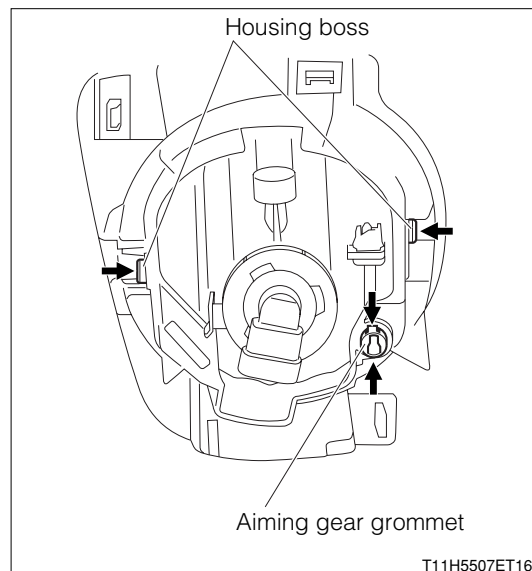
#### (2) Removal and installation procedures

- ▼ 1 a Lamp Ay, fog (RH/LH)

#### 3-1-4 POINTS OF REMOVAL

##### (1) Lamp Ay, fog, RH/LH

- 1.Perform operations from the back of the bumper.
- 2.Hold the claw of the aiming gear grommet.
- 3.Disengage the housing boss at the both sides of the lamp Ay from the bumper and push out the lamp Ay.



T11H5507ET16

**3-1-5 OPERATION AFTER INSTALLATION**

1. Install the front bumper cover.

Refer to Page I2-4.

2. Perform the photometric axis adjustment for the front fog lamp.

Refer to Page J1-2.

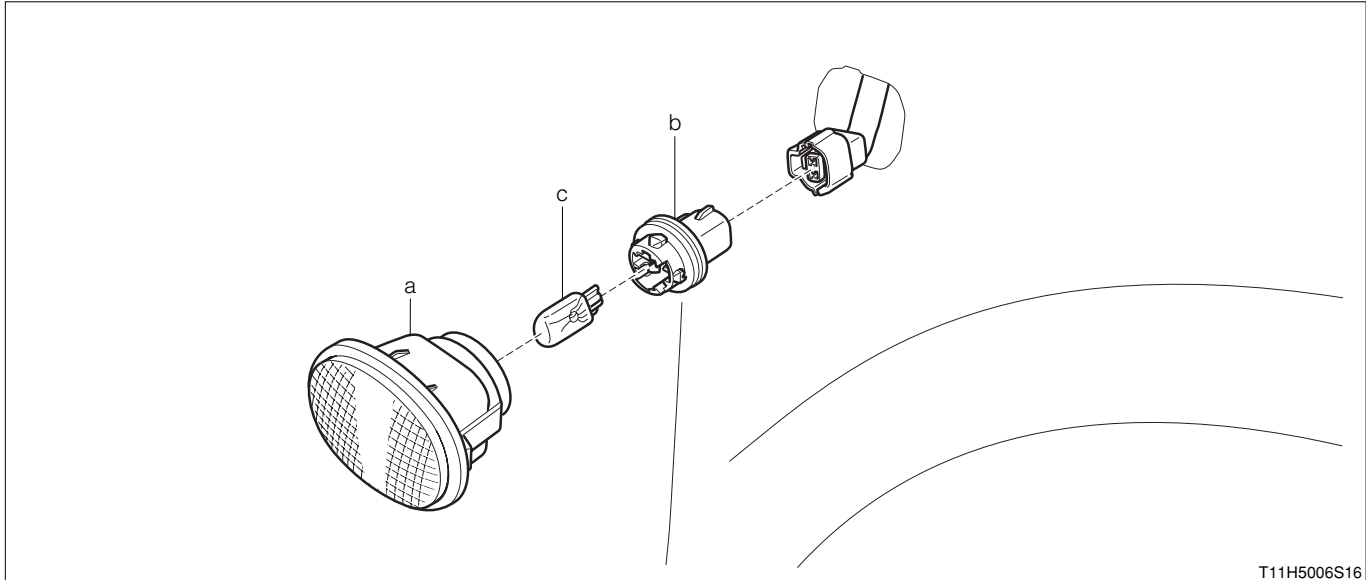
# J1-11

## 4 SIDE TURN SIGNAL LAMP AY

### 4-1 REMOVAL AND INSTALLATION

#### 4-1-1 REMOVAL AND INSTALLATION PROCEDURES

##### (1) Components



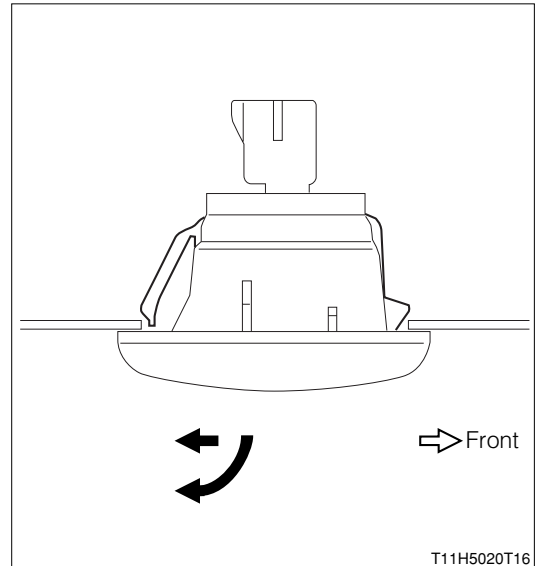
##### (2) Removal and installation procedures

- ▼ 1 a Lamp Ay, side turn signal(RH/LH)
- 2 b Socket
- 3 c Bulb

#### 4-1-2 POINTS OF REMOVAL

##### (1) Lamp Ay, side turn signal, RH/LH

1. Removes the lamp Ay by pushing it toward the rear of the vehicle.



## 5 REAR COMBINATION LAMP AY

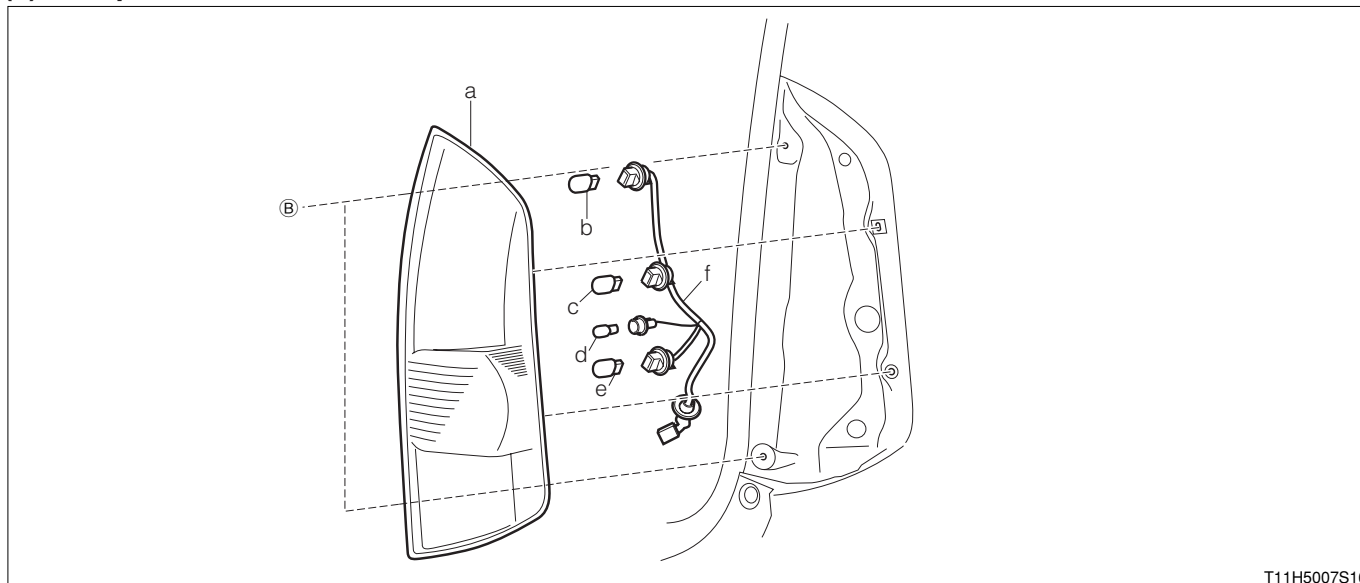
### 5-1 REMOVAL AND INSTALLATION

#### 5-1-1 OPERATION BEFORE REMOVAL

1. Remove the rear deck trim cover.  
Refer to Page I2-48.
2. Remove the rear RH/LH quarter trim panel Ay.  
Refer to Page I2-48.

#### 5-1-2 REMOVAL AND INSTALLATION PROCEDURES

##### (1) Components



T11H5007S16

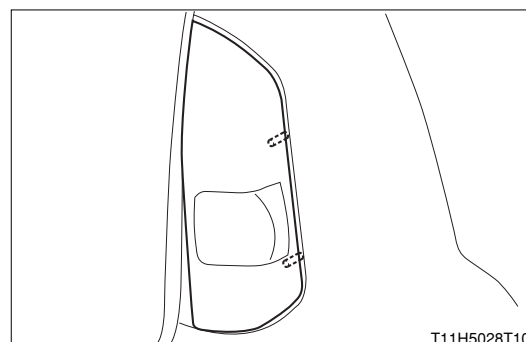
##### (2) Removal and installation procedures

- ▼ 1 a Lamp Ay, rear combination, RH/LH
- 2 b Bulb ( Tail & stop lamp)
- 3 c Bulb ( Rear turn signal lamp)
- 4 d Bulb ( Back up lamp)
- 5 e Bulb ( Rear fog lamp)
- 6 f Harness Ay

#### 5-1-3 POINTS OF REMOVAL

##### (1) Lamp Ay, rear combination, RH/LH

1. Remove the two(2) mounting bolts, and then release the stud pin from the grommet (two locations) to disassemble the lamp Ay.



T11H5028T10

#### 5-1-4 OPERATION AFTER INSTALLATION

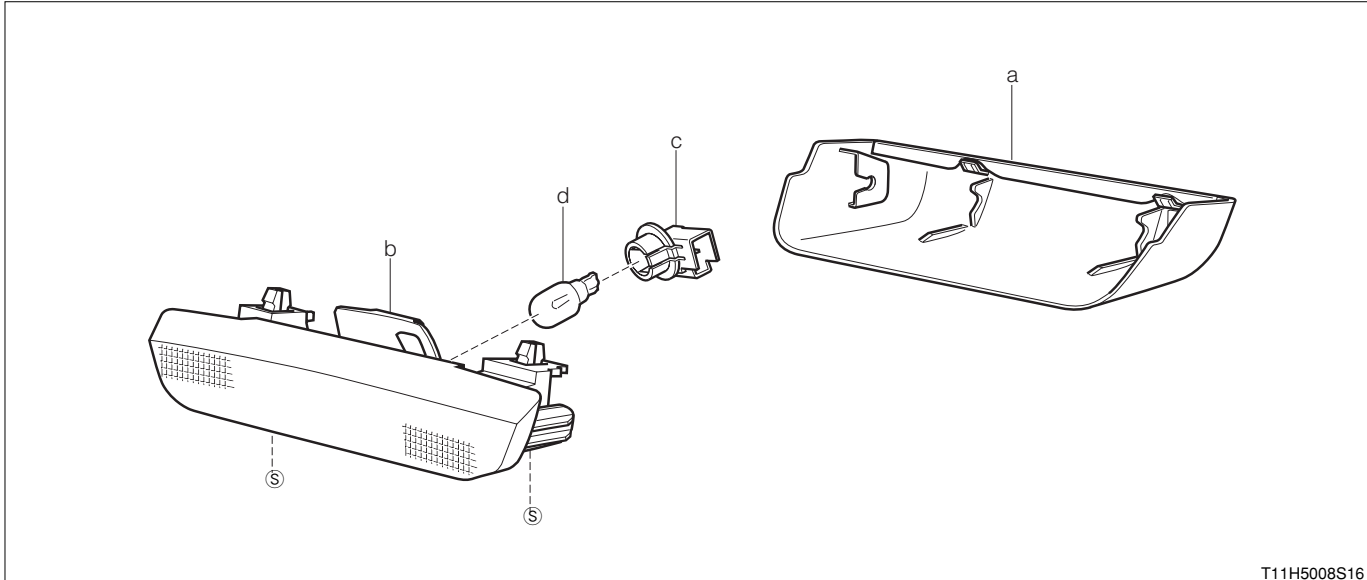
1. Remove the rear RH/LH quarter trim panel Ay.  
Refer to Page I2-48.
2. Install the rear deck trim cover.  
Refer to Page I2-48.

## 6 HIGH MOUNTED STOP LAMP AY

### 6-1 REMOVAL AND INSTALLATION

#### 6-1-1 REMOVAL AND INSTALLATION PROCEDURES

##### (1) Components



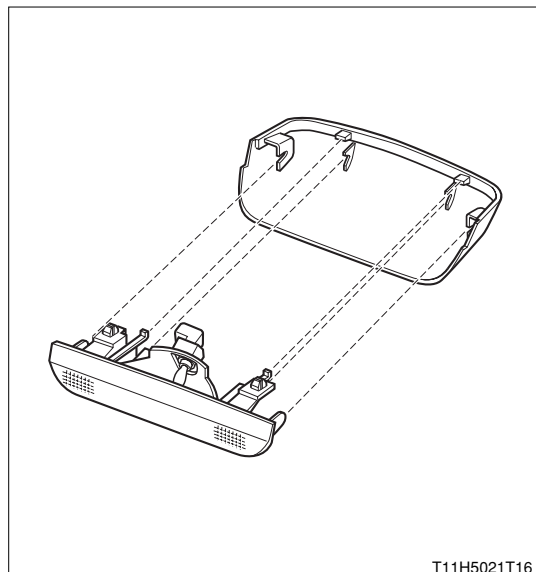
##### (2) Removal and installation procedures

- ▼ 1 a Cover, center stop lamp
- 2 b Lamp Ay, stop center
- 3 c Socket
- 4 d Bulb

#### 6-1-2 POINTS OF REMOVAL

##### (1) Cover, center stop lamp

1. Slide the cover toward the rear of the lamp Ay to release and remove from the lamp Ay.

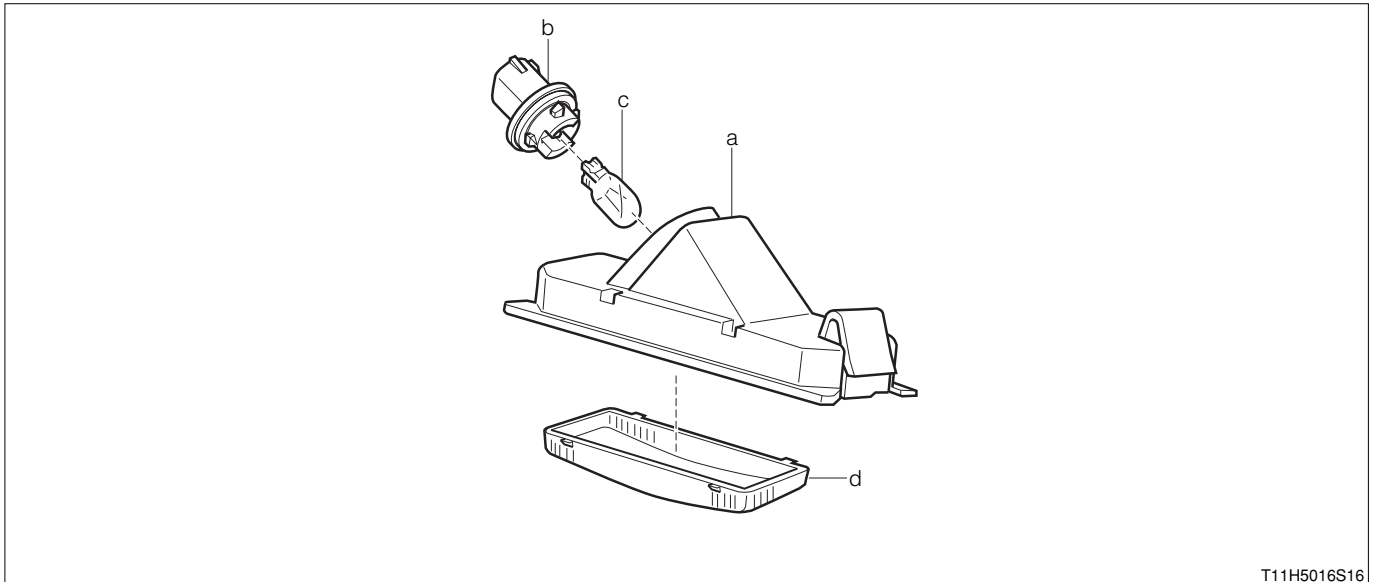


## 7 LICENSE PLATE LAMP AY

### 7-1 REMOVAL AND INSTALLATION

#### 7-1-1 REMOVAL AND INSTALLATION PROCEDURES

##### (1) Components



T11H5016S16

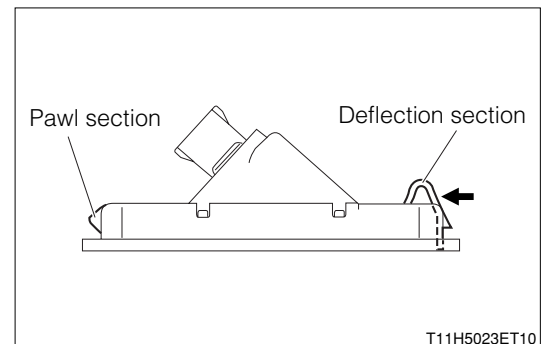
##### (2) Removal and installation procedures

- ▼ 1 a Lamp Ay, license plate
- 2 b Socket
- 3 c Bulb
- 4 d Lens, license plate lamp

#### 7-1-2 POINTS OF REMOVAL

##### (1) Lamp Ay, license plate

1. Remove the lamp Ay, while pressing down the deflecting portion.



T11H5023ET10

## 8 ROOM LAMP AY

### 8-1 REMOVAL AND INSTALLATION

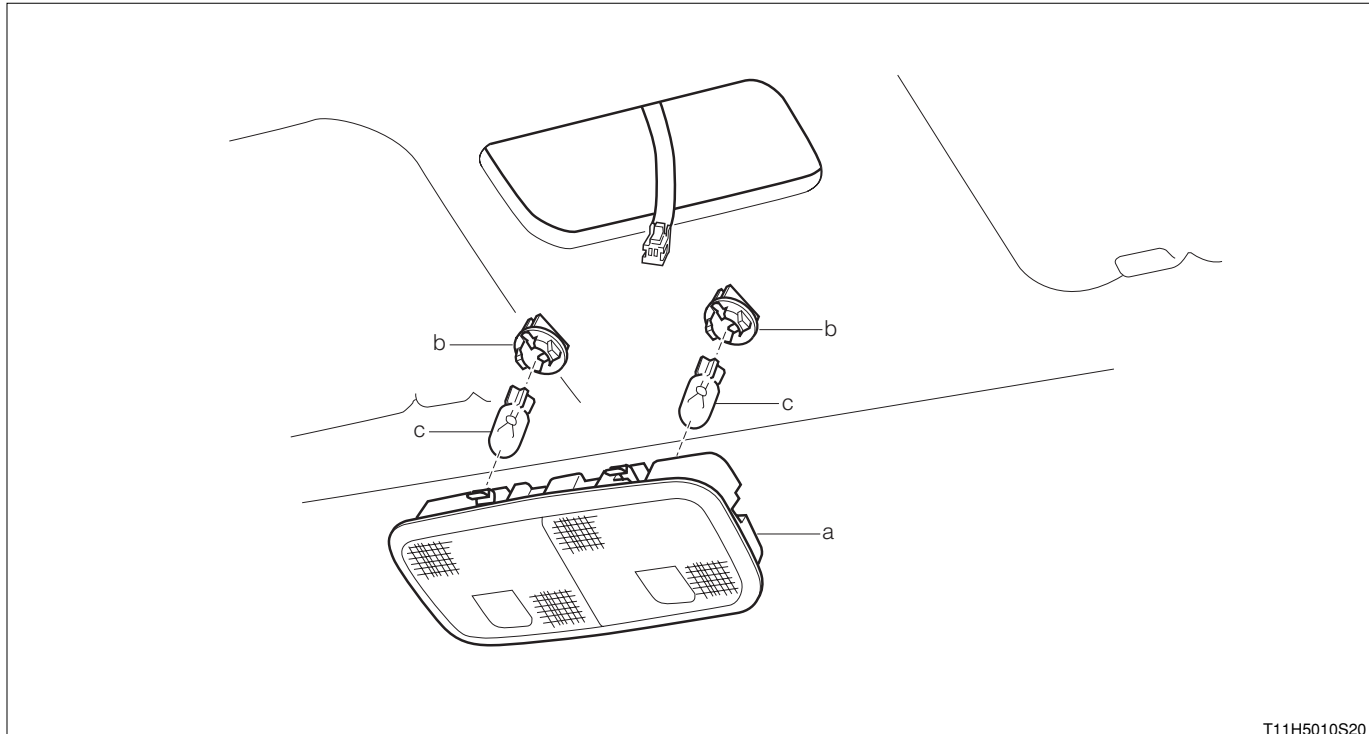
#### 8-1-1 ARTICLES TO BE PREPARED

Lubricant, adhesive, others

Protective tape

#### 8-1-2 REMOVAL AND INSTALLATION PROCEDURES

##### (1) Components



T11H5010S20

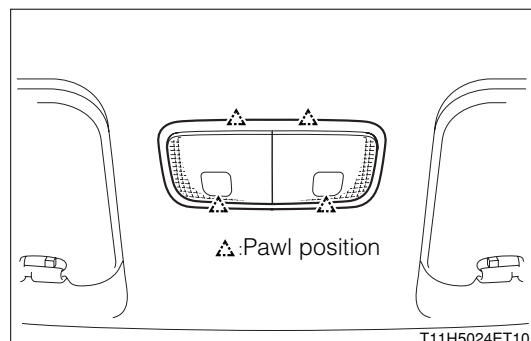
##### (2) Removal and installation procedures

- ▼ 1 a Lamp Ay, map
- 2 b Socket
- 3 c Bulb

#### 8-1-3 POINTS OF REMOVAL

##### (1) Lamp Ay, map

1. Remove by disengaging the pawls (at four points), using a flat screwdriver wrapped with a protective tape.



T11H5024ET10

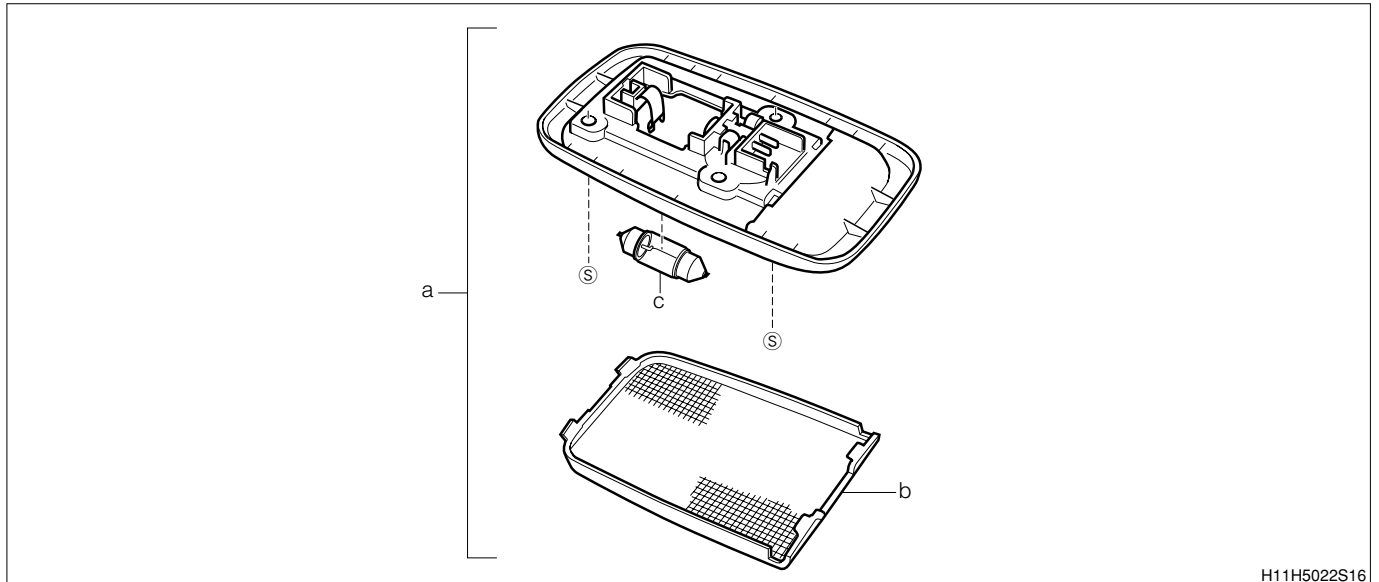


## 9 ROOM LAMP AY

### 9-1 REMOVAL AND INSTALLATION

#### 9-1-1 REMOVAL AND INSTALLATION PROCEDURES

##### (1) Components



##### (2) Removal and installation procedures

- 1 b Lens, dome lamp
- 2 c Bulb
- 3 a Lamp Ay, dome

# J1-17

## 10 ROOM LAMP AY

### 10-1 REMOVAL AND INSTALLATION

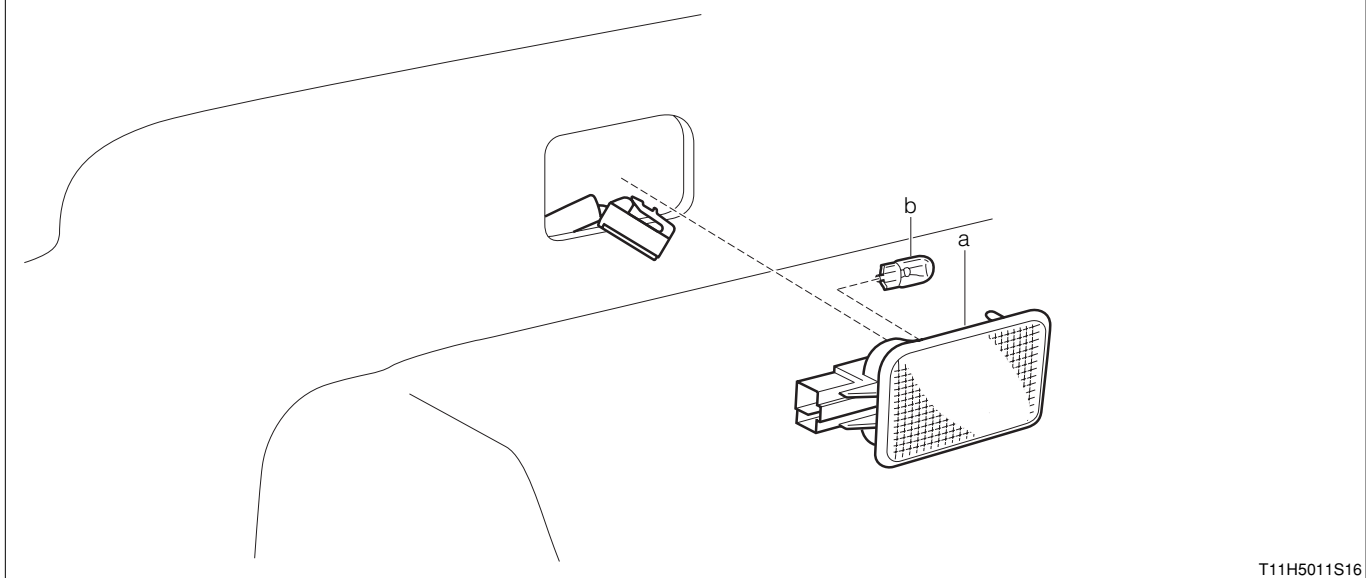
#### 10-1-1 ARTICLES TO BE PREPARED

Lubricant, adhesive, others

Protective tape

#### 10-1-2 REMOVAL AND INSTALLATION PROCEDURES

##### (1) Components



T11H5011S16

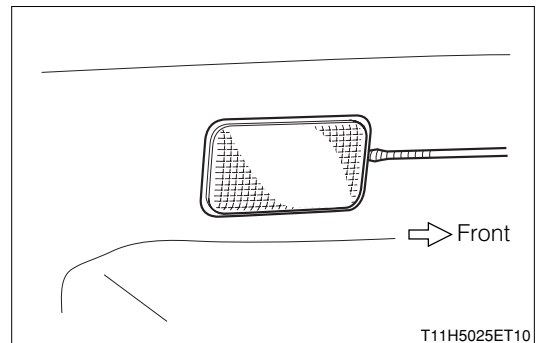
##### (2) Removal and installation procedures

- ▼ 1 a Lamp Ay, dome
- 2 b Bulb

#### 10-1-3 POINTS OF REMOVAL

##### (1) Lamp Ay, dome

1. Using a flat (–) screw driver wound with a protective tape, release.



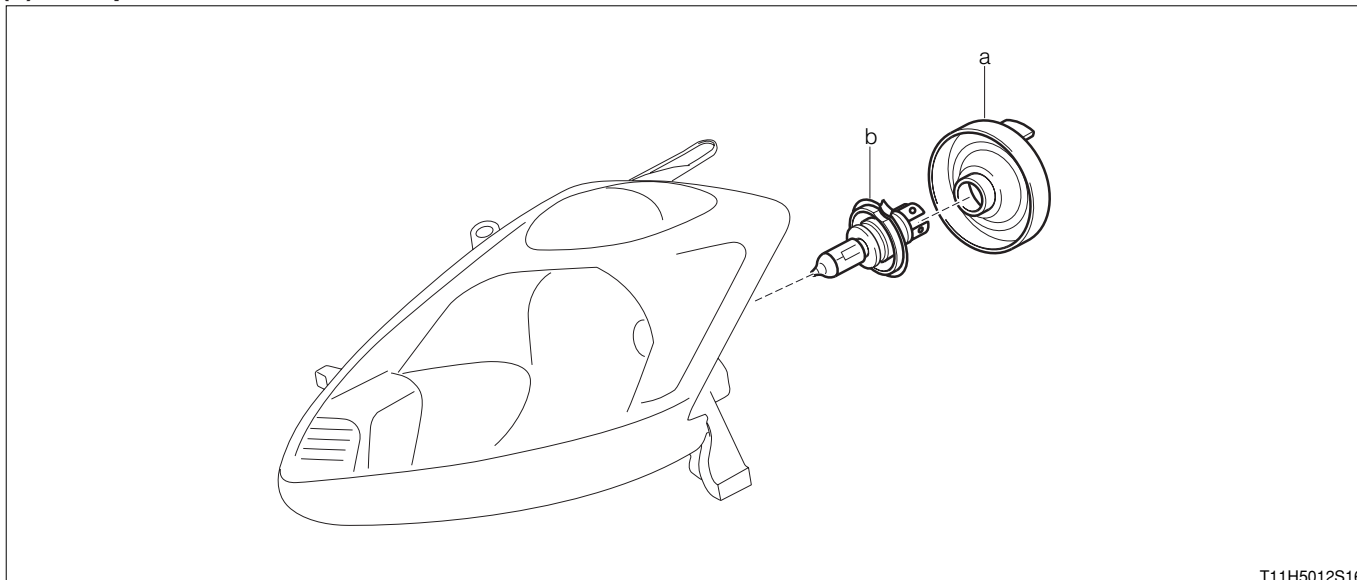
T11H5025ET10

## 11 HEADLAMP BULB

### 11-1 REMOVAL AND INSTALLATION

#### 11-1-1 REMOVAL AND INSTALLATION PROCEDURES

##### (1) Components



T11H5012S16

##### (2) Removal and installation procedures

- 1 a Cover, headlamp
- 2 b Bulb(Headlamp)

# J1-19

## 12 CLEARANCE LAMP BULB

### 12-1 REMOVAL AND INSTALLATION

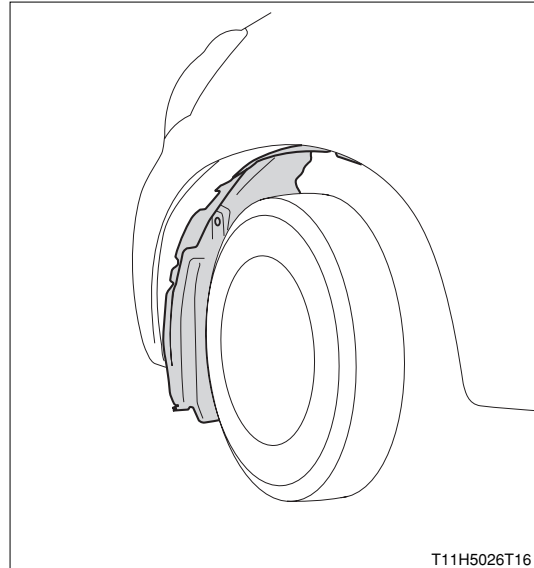
#### 12-1-1 OPERATION BEFORE REMOVAL

1. Turn over the RH/LH front fender liner (front RH/LH fender splash shield S/A in the case of the aero specification vehicles) to provide a space to remove the bulb.

#### NOTE

- For easier operation, the steering wheel may be kept in a turned state during this operation, thus providing extra work space.

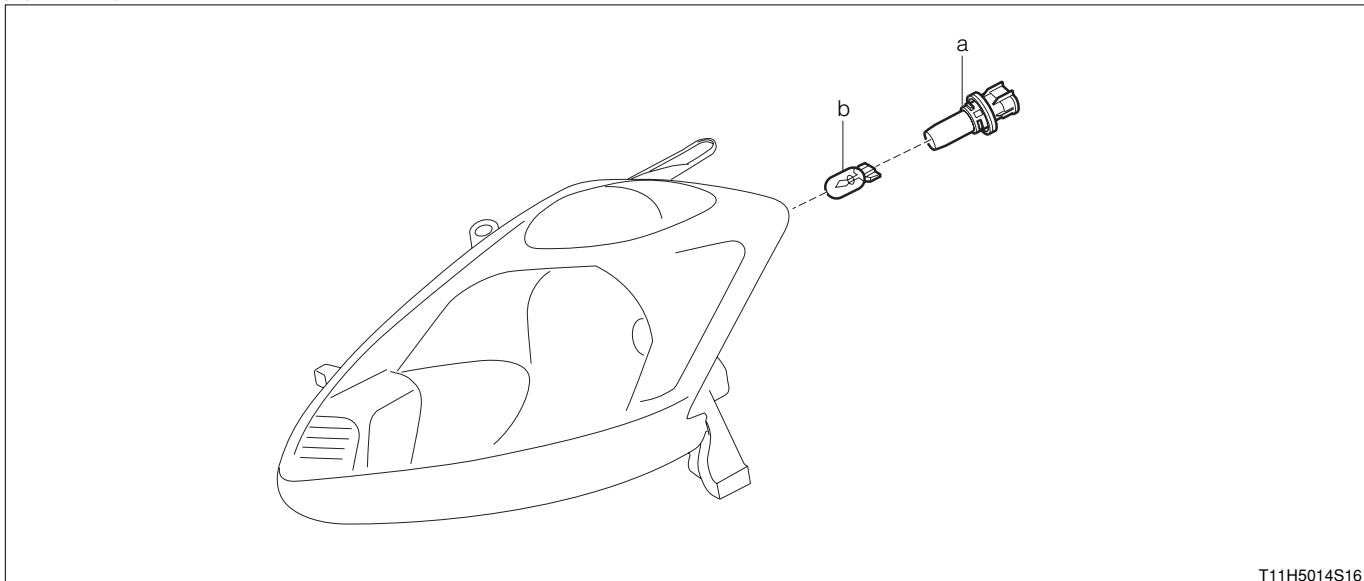
Refer to Page I1-24.



T11H5026T16

#### 12-1-2 REMOVAL AND INSTALLATION PROCEDURES

##### (1) Components



T11H5014S16

##### (2) Removal and installation procedures

- 1 a Socket ( Clearance lamp)
- 2 b Bulb ( Clearance lamp)

#### 12-1-3 OPERATION AFTER INSTALLATION

1. Return the RH/LH front fender liner (front RH/LH fender splash shield S/A in the case of the aero specification vehicles) to the original state.

Refer to Page I1-24.

## 13 FRONT TURN SIGNAL LAMP BULB

### 13-1 REMOVAL AND INSTALLATION

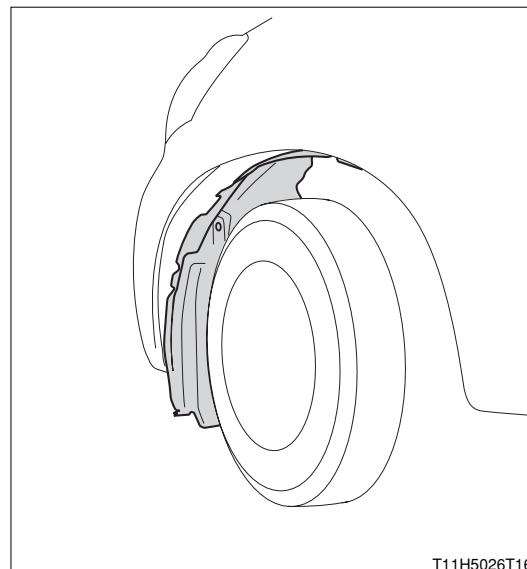
#### 13-1-1 OPERATION BEFORE REMOVAL

1. Turn over the LH front fender liner (front LH fender splash shield S/A in the case of the aero specification vehicles) to provide a space to disengage the socket. (When replacing the LH side bulb)

Refer to Page I1-24.

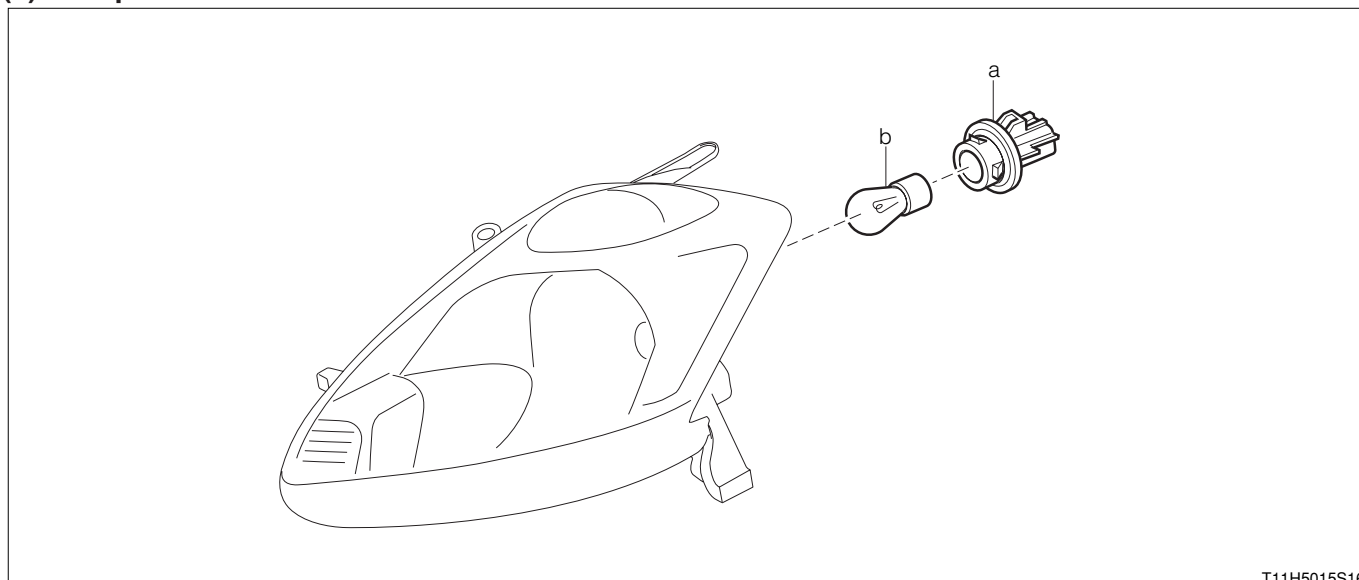
#### NOTE

- The RH bulb can be replaced from the engine compartment.
- For easier operation, the steering wheel may be kept in a turned state during this operation, thus providing extra work space.



#### 13-1-2 REMOVAL AND INSTALLATION PROCEDURES

##### (1) Components



##### (2) Removal and installation procedures

- 1 a Socket ( Front turn signal lamp)
- 2 b Bulb ( Front turn signal lamp)

#### 13-1-3 OPERATION AFTER INSTALLATION

1. Return the LH front fender liner (front LH fender splash shield S/A in the case of the aero specification vehicles) to the original state. (When replacing the LH side bulb)

Refer to Page I1-24.

# J1-21

## 14 FRONT FOG LAMP BULB

### 14-1 REMOVAL AND INSTALLATION

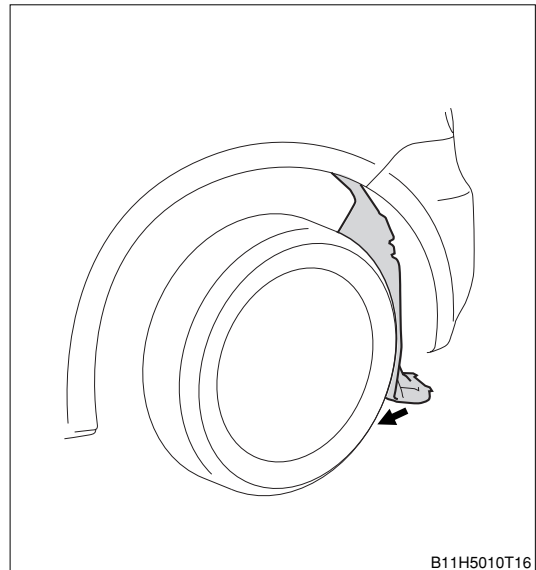
#### 14-1-1 OPERATION BEFORE REMOVAL

1. Turn over the front RH/LH fender splash shield S/A to provide a space to remove the bulb.

#### NOTE

- The space for the work can be easily obtained if the operation is performed with the steering wheel held in a turned state.

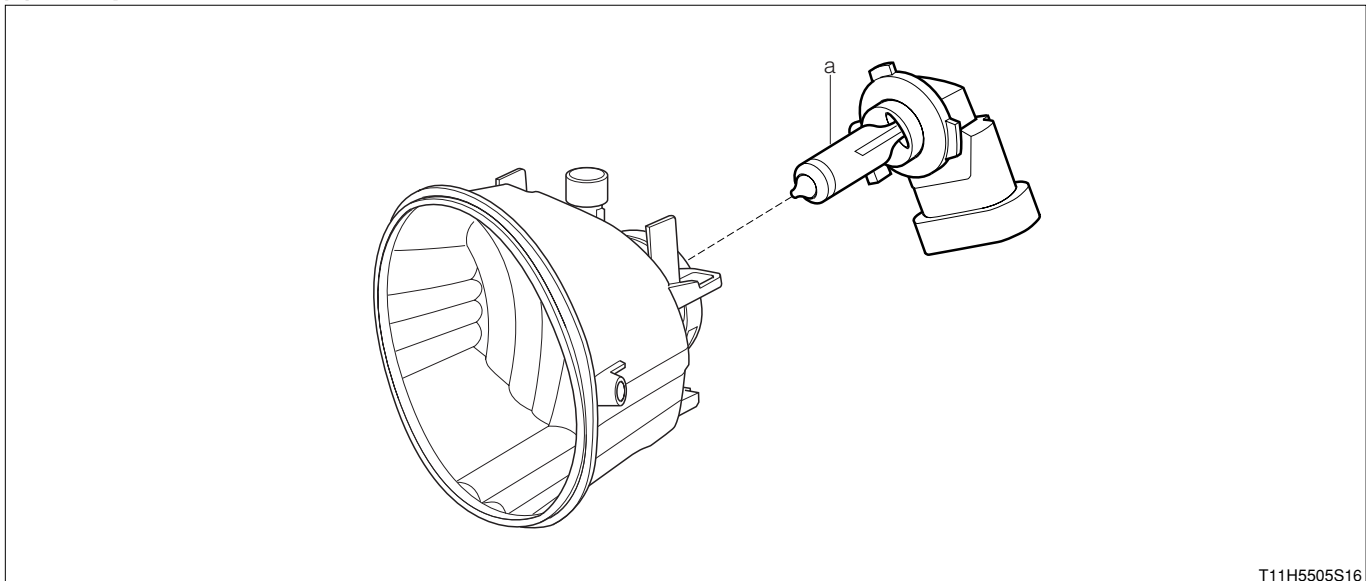
Refer to Page I1-24.



B11H5010T16

#### 14-1-2 REMOVAL AND INSTALLATION PROCEDURES

##### (1) Components



T11H5505S16

##### (2) Removal and installation procedures

- 1 a Bulb( Front fog lamp)

#### 14-1-3 OPERATION AFTER INSTALLATION

1. Return the front RH/LH fender splash shield S/A to the original state.  
Refer to Page I1-24.

2. Perform the photometric axis adjustment for the front fog lamp.

**15 SIDE TURN SIGNAL LAMP BULB****15-1 REMOVAL AND INSTALLATION**

Refer to Page J1-11.

**16 TAIL AND STOP LAMP BULB****16-1 REMOVAL AND INSTALLATION**

Refer to Page J1-12.

**17 REAR TURN SIGNAL LAMP BULB****17-1 REMOVAL AND INSTALLATION**

Refer to Page J1-12.

**18 BACK UP LAMP BULB****18-1 REMOVAL AND INSTALLATION**

Refer to Page J1-12.

**19 REAR FOG LAMP BULB****19-1 REMOVAL AND INSTALLATION**

Refer to Page J1-12.

**20 HIGH MOUNTED STOP LAMP BULB****20-1 REMOVAL AND INSTALLATION**

Refer to Page J1-13.

**21 LICENSE PLATE LAMP BULB****21-1 REMOVAL AND INSTALLATION**

Refer to Page J1-14.

**22 ROOM LAMP BULB(FRONT MAP LAMP BULB)****22-1 REMOVAL AND INSTALLATION**

To replace the bulb, remove the map lamp Ay, and then remove the bulb from the back side of the lamp Ay.

**CAUTION**

- It is important to remove the bulb from the backside of the lamp Ay, to prevent damage to the switch that may occur if the lens is removed.

Refer to Page J1-15.

**23 ROOM LAMP BULB****23-1 REMOVAL AND INSTALLATION**

Refer to Page J1-16.

# J1-23

---

## 24 ROOM LAMP BULB(LUGGAGE ROOM LAMP BULB) 24-1 REMOVAL AND INSTALLATION

Refer to Page J1-17.



## 25 HEADLAMP DIMMER SWITCH AY

### 25-1 REMOVAL AND INSTALLATION

#### 25-1-1 ARTICLES TO BE PREPARED

Lubricant, adhesive, others

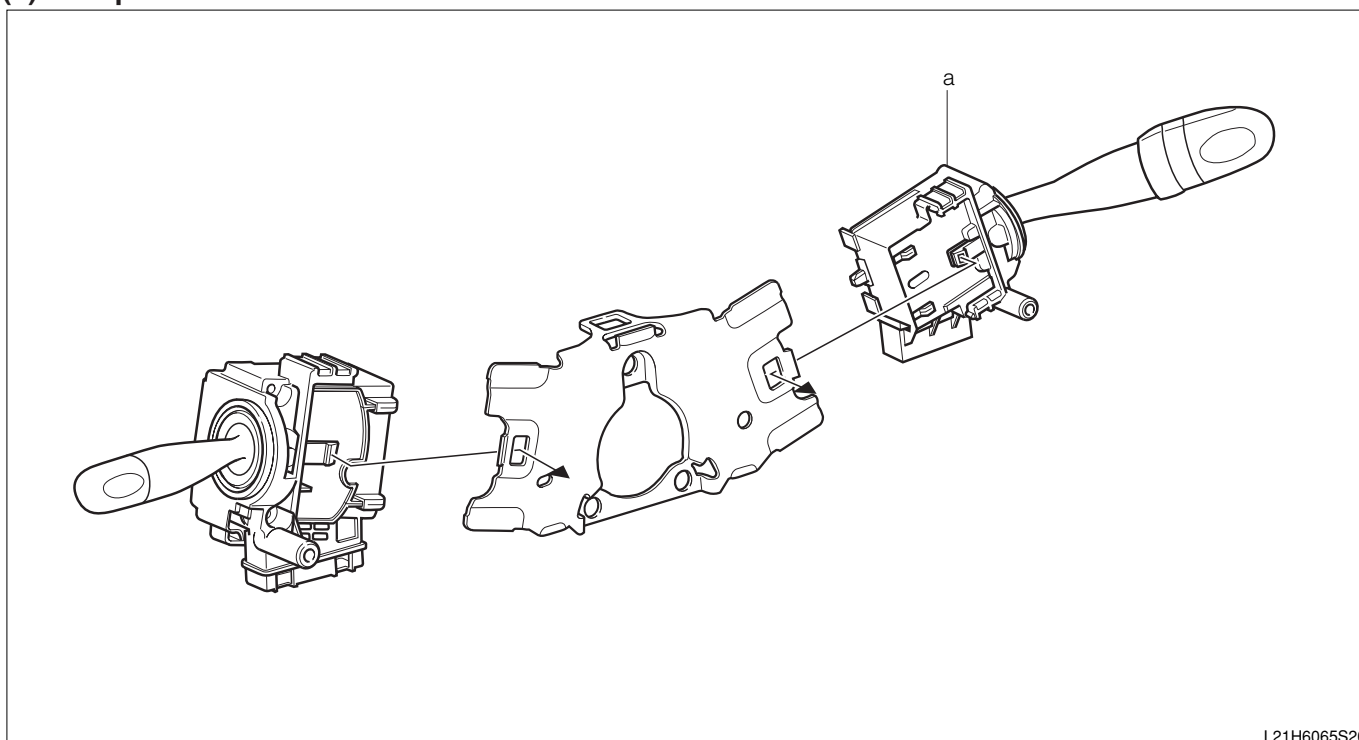
Protective tape
-----------------

#### 25-1-2 OPERATION BEFORE REMOVAL

1. Remove the lower steering column cover.  
Refer to Page G1-5.
2. Remove the upper steering column cover.  
Refer to Page G1-5.

#### 25-1-3 REMOVAL AND INSTALLATION PROCEDURES

##### (1) Components



L21H6065S20

##### (2) Removal and installation procedures

- ▼ 1 a Switch Ay, headlamp dimmer

#### 25-1-4 POINTS OF REMOVAL

##### (1) Switch Ay, headlamp dimmer

1. Using a flat (–) screwdriver wound with a protective tape, release the fitting of the the claw.

#### 25-1-5 OPERATION AFTER INSTALLATION

1. Install the upper steering column cover.  
Refer to Page G1-5.
2. Install the lower steering column cover.  
Refer to Page G1-5.