

I3 WINDSHIELD WINDOWGLASS/MIRROR

CONSTRUCTION AND OPERATION -----	I3 - 1
GLASS -----	I3 - 1
POWER WINDOW-----	I3 - 2
OUTER REARVIEW MIRROR-----	I3 - 4

1 CONSTRUCTION AND OPERATION

1-1 GLASS

1-1-1 OUTLINE

UV cut glass which reduces the ultraviolet transmission is employed for the windshield glass and front door glass.

1-1-2 GLASS SPECIFICATIONS

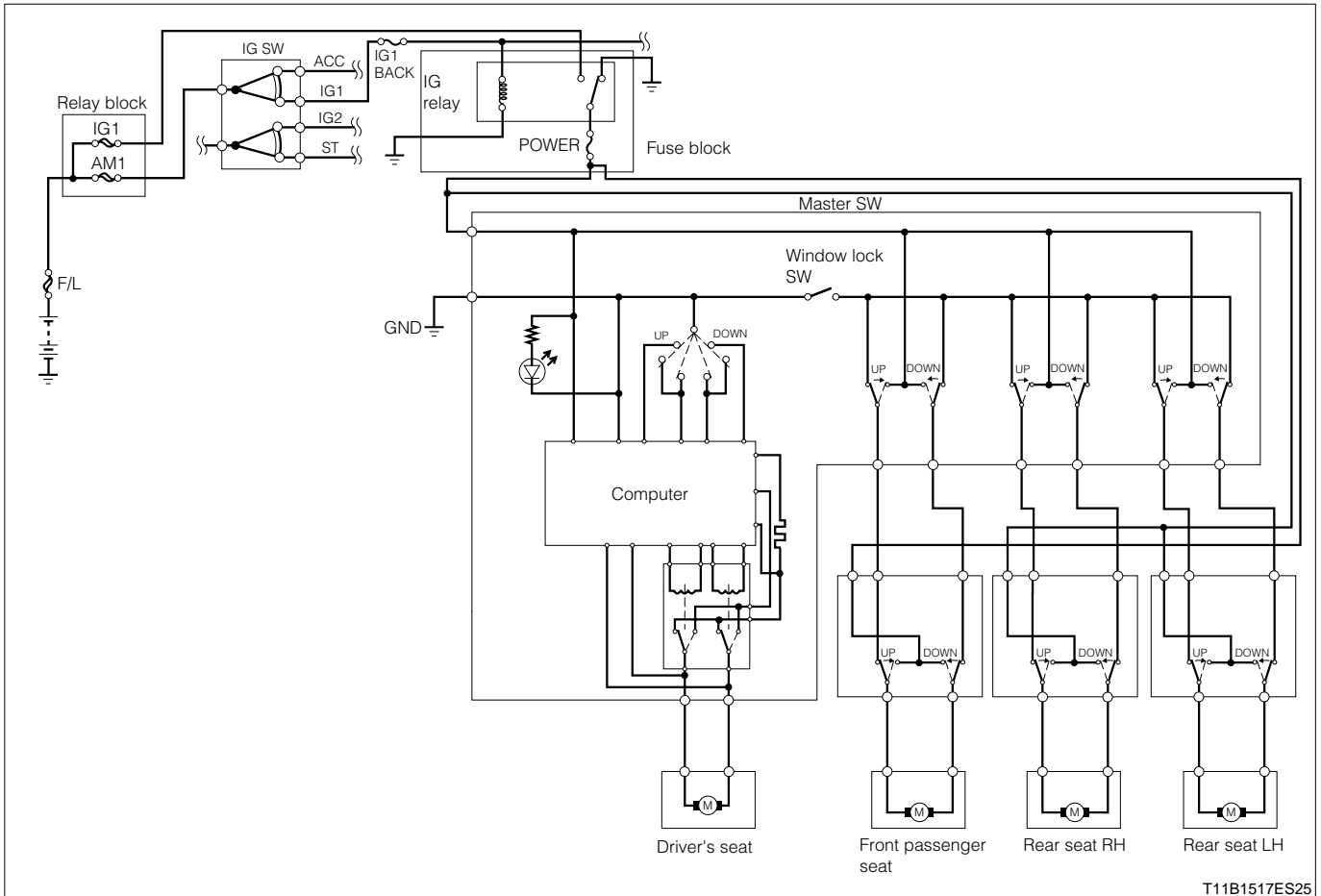
Measuring point	Installation method	Type	Sheet thickness (mm)	Visible light transmission rate (%)	Ultraviolet light transmission rate Reference value(%)
Windshield glass	Adhesion	Heat absorbing laminated glass (Green + UV-filtering)	4.7	78.3	Approx. 0
Front door glass	—	Heat absorbing toughened glass (Green + UV-filtering)	3.1	75.4	Approx. 10
Rear door glass	—	Heat absorbing toughened glass (Green)	3.1	82.2	Approx. 40
Rear door quarter glass	—	Heat absorbing toughened glass (Green)	3.1	82.2	Approx. 40
back door glass	Adhesion	Heat absorbing toughened glass (Green)	3.1	82.0	Approx. 30

1-2 POWER WINDOW

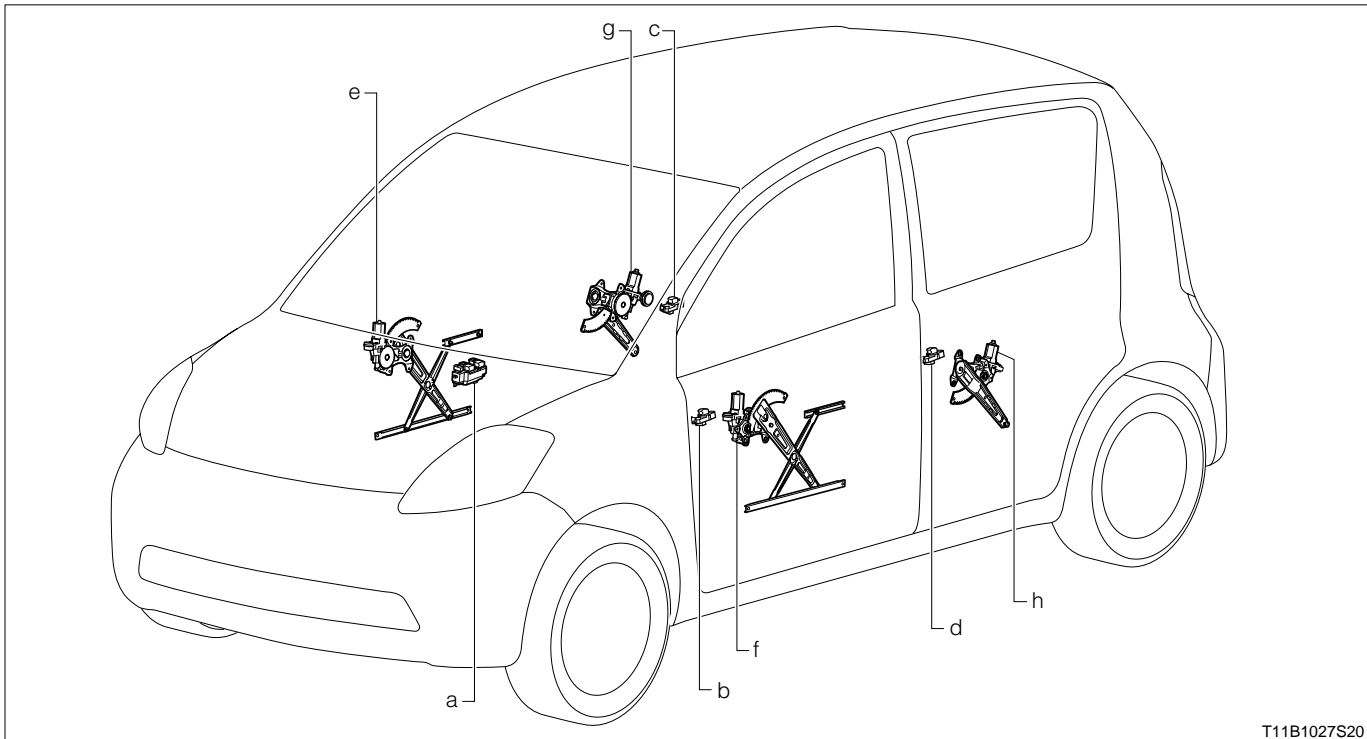
1-2-1 OUTLINE

- 1.The power window is provided on all the models.
- 2.The auto down function is provided on the power window of the driver's seat door.
- 3.Lighting has been added to the driver's seat door power window switch to improve convenience.

1-2-2 SYSTEM WIRING DIAGRAM



1-2-3 LOCATION OF COMPONENTS



T11B1027S20

The illustration represents the RHD vehicle.

a	Power window master switch
b	Front door power window switch
c	Rear door power window switch RH
d	Rear door power window switch LH
e	Front door regulator motor RH
f	Front door regulator motor LH
g	Rear door regulator motor RH
h	Rear door regulator motor LH

1-2-4 SWITCH ILLUMINATION FUNCTION

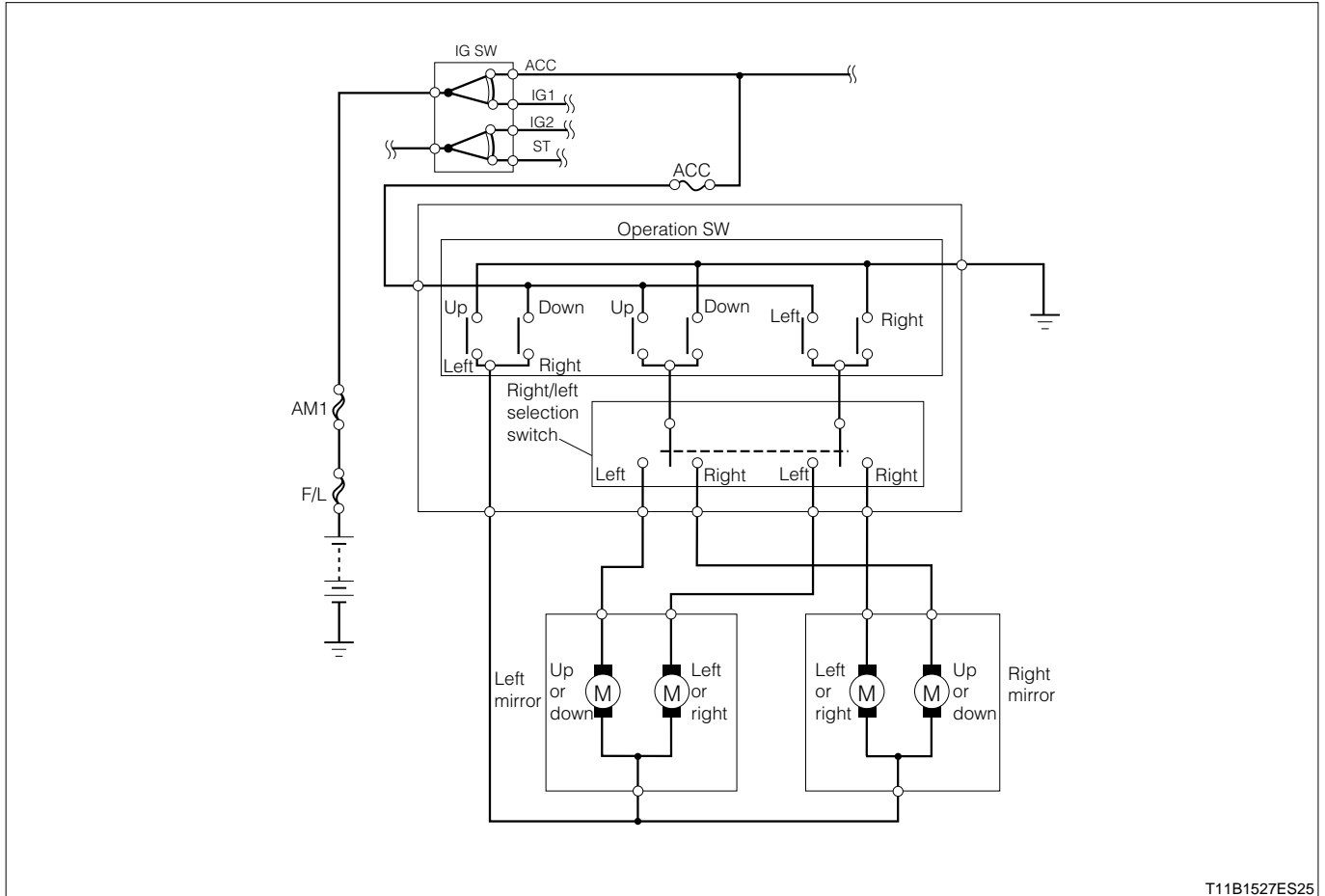
With the ignition switch turned "ON", turn on the driver's seat door power window switch.

1-3 OUTER REARVIEW MIRROR

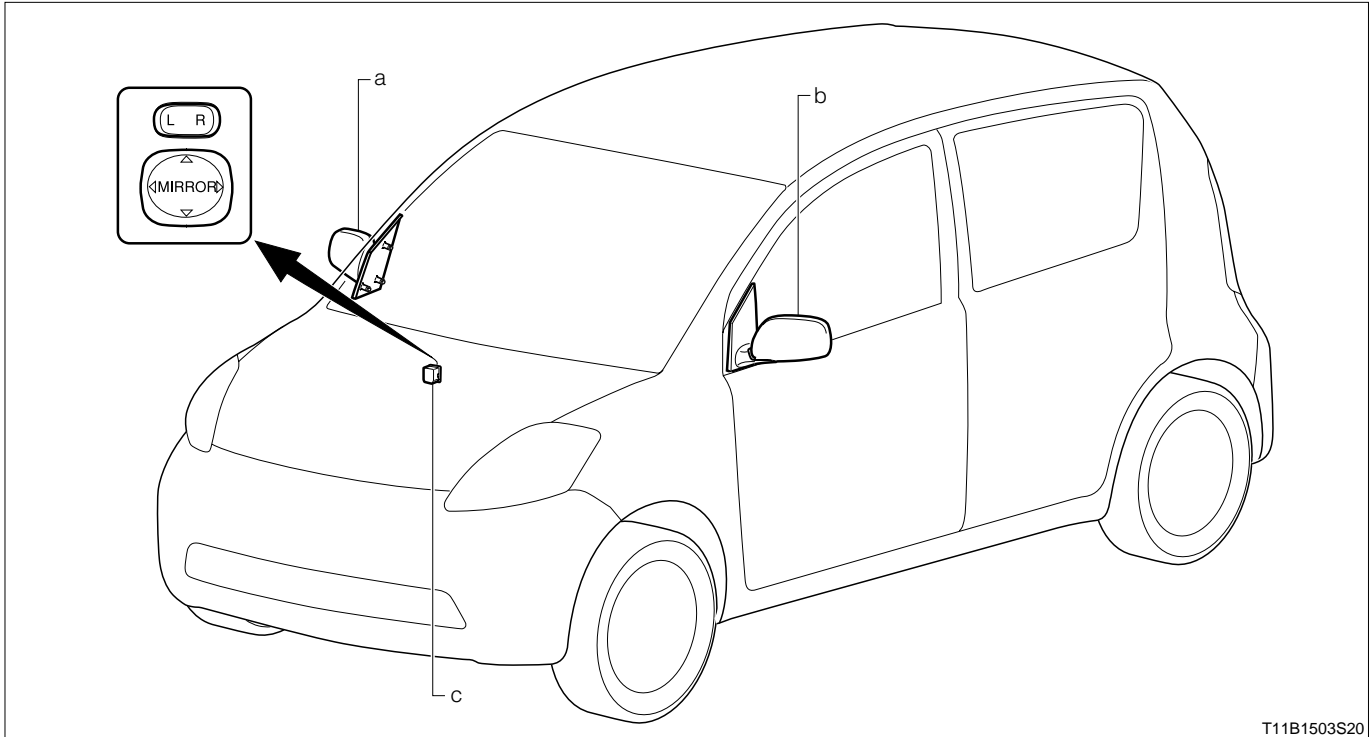
1-3-1 OUTLINE

The mirror surface movable type outer rear view mirror is provided on some specifications. Since the mirror surface section and cover can be removed, they can be replaced individually.

1-3-2 SYSTEM WIRING DIAGRAM



1-3-3 LOCATION OF COMPONENTS



T11B1503S20

The illustration represents the RHD vehicle.

a	Outer rearview mirror RH
b	Outer rearview mirror LH
c	Outer mirror switch