

C3 WHEEL & TIRE

OUTLINE -----	C3 - 1
SPECIFICATION -----	C3 - 1
CONSTRUCTION AND OPERATION ----	C3 - 2
TIRE -----	C3 - 2
DISC WHEEL -----	C3 - 3

C3-1

1 OUTLINE

1.The following tires and disc wheels given below have been employed.

- (1) Tire having the size of 155/80R13 79S, and steel wheel having the size of 13×4.00B
- (2) Tire having the size of 175/65R14 82S, and steel wheel and aluminum wheel having the size of 14×5.00J
- (3) Tire having the size of 175/65R14 82T, and steel wheel and aluminum wheel having the size of 14×5.00J

2.As regards the tire and disc wheel to be mounted, their type differs depending on the specifications.

1-1 SPECIFICATION

1-1-1 TIRE & DISK WHEEL

RHD vehicles

			Vehicle model			
			M300RS		M301RS	
Type No	Tire size	Disc wheel	GMNE	GMNEW	GMGE GQGE	GMGEW GQGEW
No.1	155/80R13 79S	13×4.50B[Steel]	○	○	—	—
No.2	175/65R14 82T	14×5.00J[Steel]	○	○	○	○
No.3	175/65R14 82T	14×5.00J[Aluminum]	○	○	○	○
No.4	175/65R14 82S	14×5.00J[Steel]	—	○	—	○
No.5	175/65R14 82S	14×5.00J[Aluminum]	—	○	—	○

○: Provided —:Nor provided

LHD vehicles

			Vehicle model			
			M300LS		M301LS	
Type No	Disc wheel	Tire size	GMNE	GMNEW	GMGE GQGE	GMGEW GQGEW
No.1	155/80R13 79S	13×4.50B[Steel]	○	○	—	—
No.2	175/65R14 82T	14×5.00J[Steel]	○	○	○	○
No.3	175/65R14 82T	14×5.00J[Aluminum]	○	○	○	○

○: Provided —:Nor provided

1-1-2 SPARE TIRE

RHD vehicles

		Vehicle model			
		M300RS		M301RS	
Type No	Tire size	GMNE	GMNEW	GMGE GQGE	GMGEW GQGEW
No.1	T115/70D14	○	○	○	○
No.2	Standard tire	○	—	○	—

○: Provided —:Nor provided

LHD vehicles

		Vehicle model			
		M300LS		M301LS	
Type No	Tire size	GMNE	GMNEW	GMGE GQGE	GMGEW GQGEW
No.1	T115/70D14	○	○	○	○
No.2	Standard tire	○	—	○	—

○: Provided —:Nor provided

2 CONSTRUCTION AND OPERATION

2-1 TIRE

Table showing tire air inflation pressure

Vehicle model	Tire			Depth of groove [mm]
	Size	Air inflation pressure [kPa{kgf/cm ² }]		
		Front wheel	Rear wheel	
M300RS	155/80R13 79S	220{2.2}		1.6 or more
M301RS	175/65R14 82S			
M300LS M301LS	175/65R14 82T			

Table showing spare tire air inflation pressure

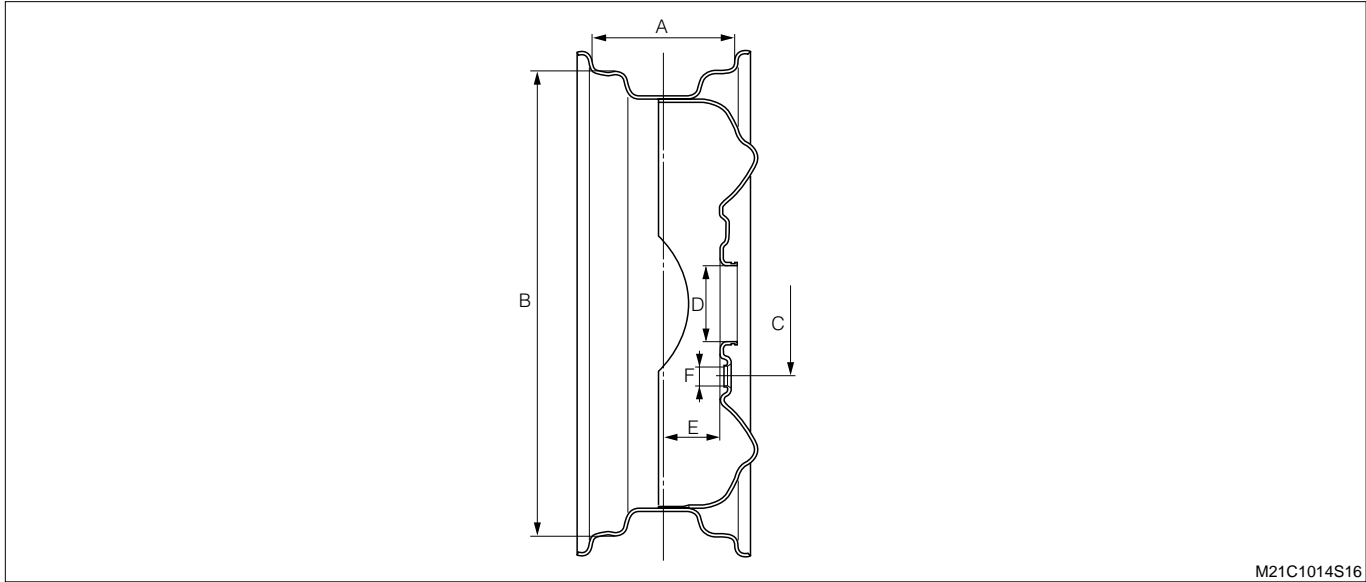
Vehicle model	Tire			Depth of groove [mm]
	Size	Air inflation pressure [kPa{kgf/cm ² }]		
		Front wheel	Rear wheel	
M300RS	T115/70D14	420{4.2}		1.6 or more
M301RS				
M300LS				
M301LS				

2-2 DISC WHEEL

Table showing disc wheels

Wheel	Dimensions [mm]					
	A	B	C	D	E	F
	Rim width	Rim diameter	PCD	Hub hole diameter	Offset	Bolt hole diameter
13 × 4.50B[Steel]	114	329.4	100	54	35	14
14 × 5.00J[Steel]	127	354.8	100	54	40	14
14 × 5.00J[Aluminum]	127	354.8	100	54	40	13

Steel wheel



Aluminum wheel

