

B12 ENGINE MOUNTING

OUTLINE -----	B12 - 1
DESCRIPTION -----	B12 - 1
CONSTRUCTION AND OPERATION---	B12 - 3
RIGHT ENGINE MOUNTING	
INSULATOR-----	B12 - 3
LEFT ENGINE MOUNTING	
INSULATOR-----	B12 - 3
REAR ENGINE MOUNTING	
INSULATOR-----	B12 - 4

B12-1

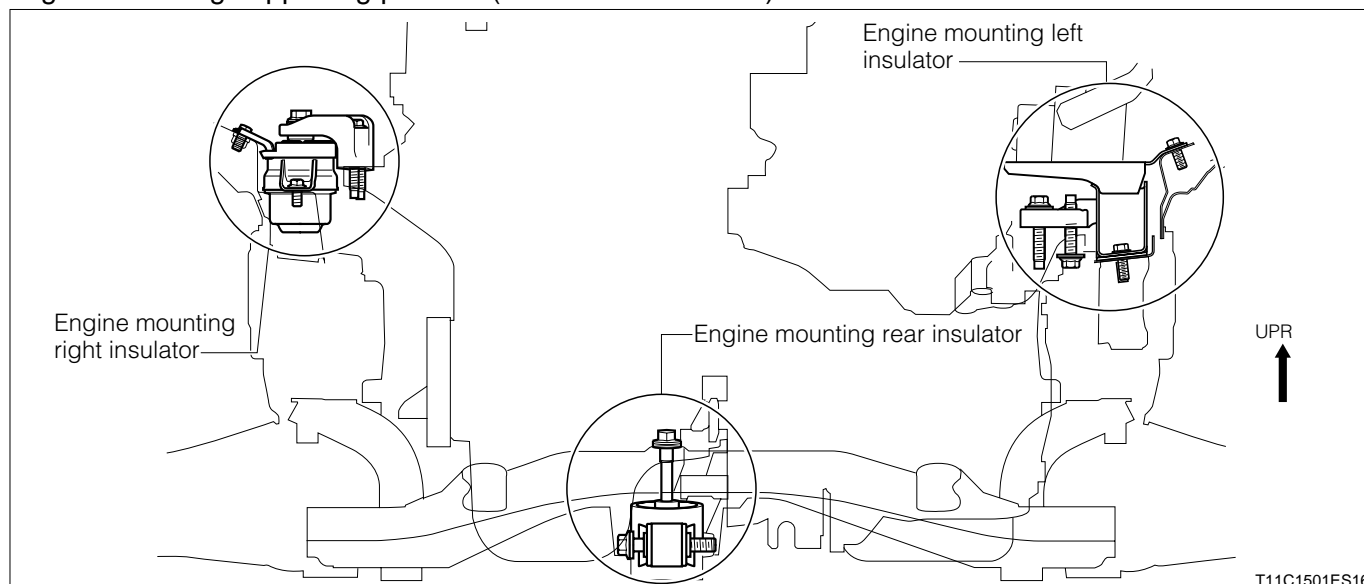
1 OUTLINE

1-1 DESCRIPTION

The engine mounting has employed a three-point supporting type on all models. Vibrations and noises have been reduced by taking the following measures.

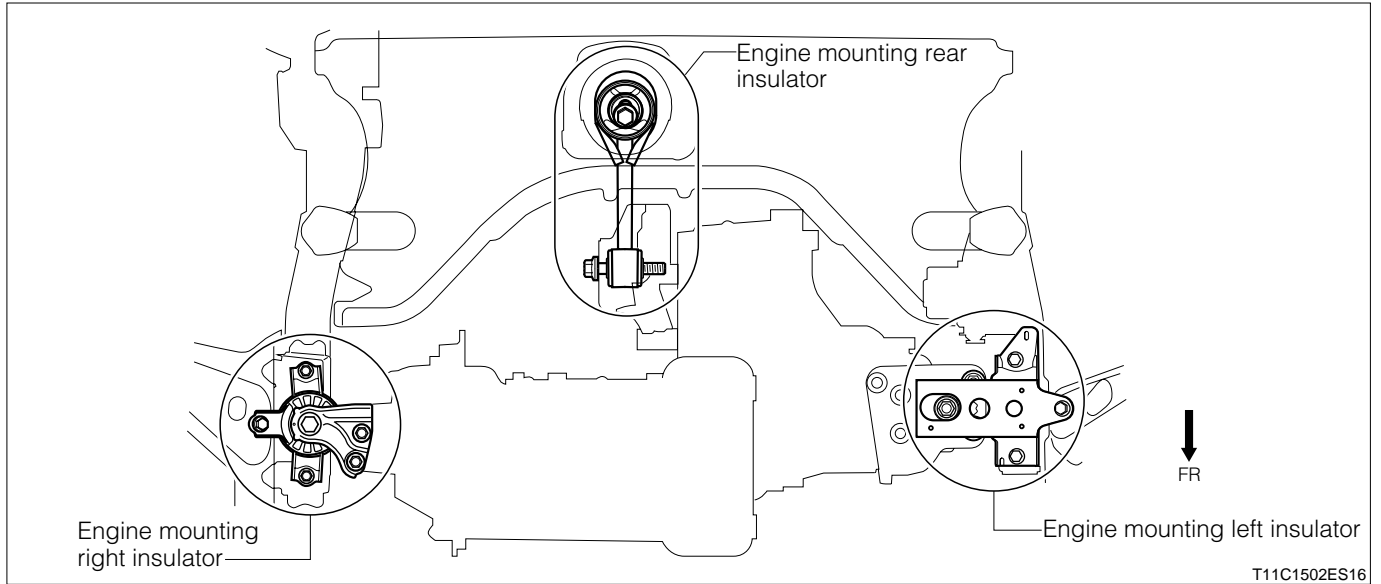
- 1.The engine mounting right insulator has employed a hydraulic damping mount on all models.
- 2.The engine mounting right insulator has the following three types given below.
 - (1) The one for Type 1KR engine-mounted M/T vehicles
 - (2) The one for Type K3 engine-mounted M/T vehicles
 - (3) The one for Type K3 engine-mounted A/T vehicles
- 3.The engine mounting left insulator has the following two types given below.
 - (1) The one for M/T vehicles
 - (2) The one for A/T vehicles
- 4.The engine mounting rear insulator has employed a torque rod type.
- 5.The engine mounting rear insulator has the following two types given below.
 - (1) The one for Type 1KR engine-mounted vehicles
 - (2) The one for Type K3 engine-mounted vehicles

Engine mounting supporting position (Front side of vehicle)



The figure above shows the position for Type 1KR engine-mounted vehicles.

Engine mounting supporting position (Top of vehicle)

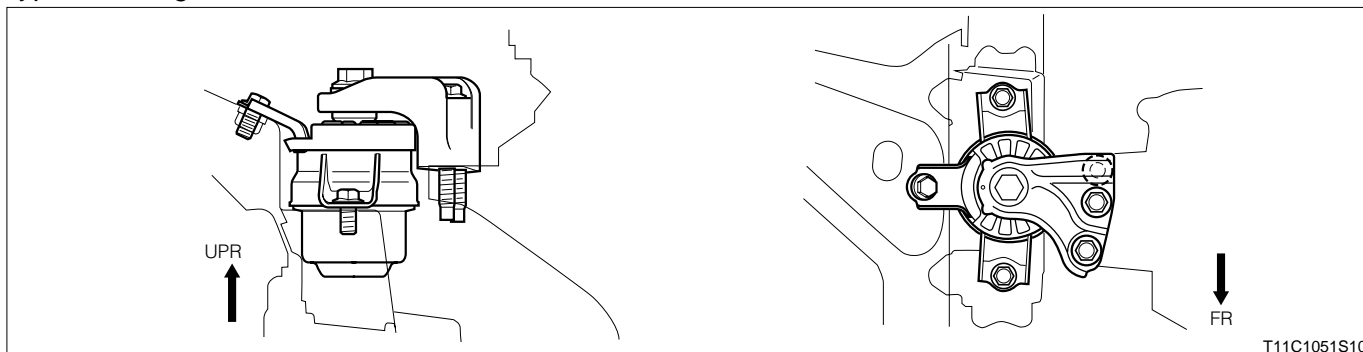


The figure above shows the position for Type 1KR engine-mounted vehicles.

2 CONSTRUCTION AND OPERATION

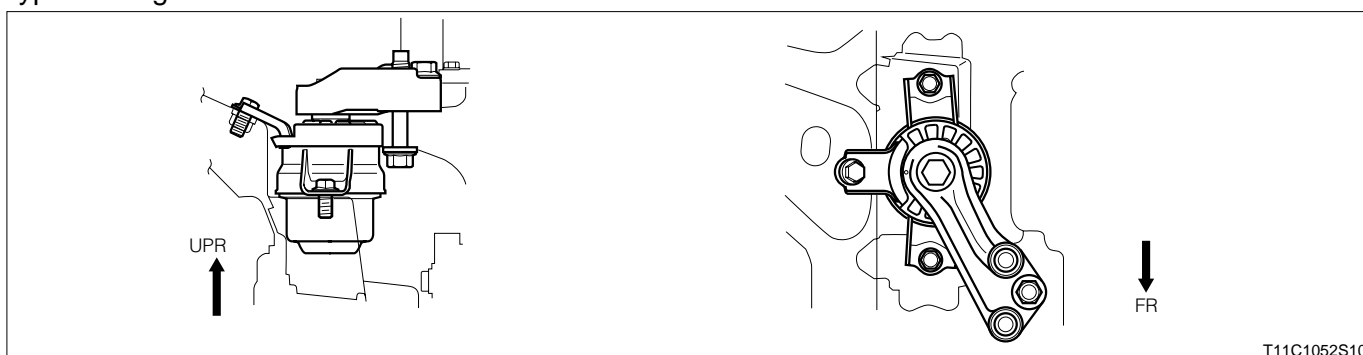
2-1 RIGHT ENGINE MOUNTING INSULATOR

Type 1KR engine-mounted vehicles



Left figure: Front side of vehicle; Right figure: Top of vehicle

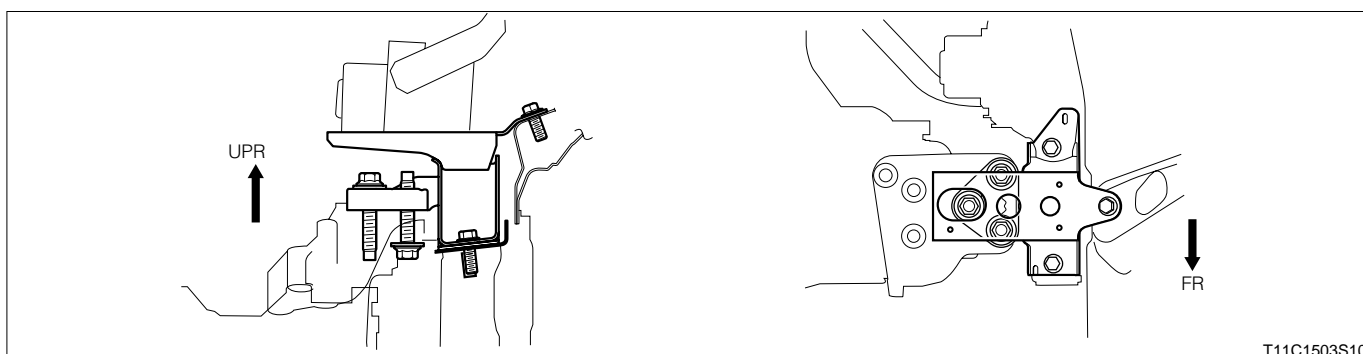
Type K3 engine-mounted vehicles



Left figure: Front side of vehicle; Right figure: Top of vehicle

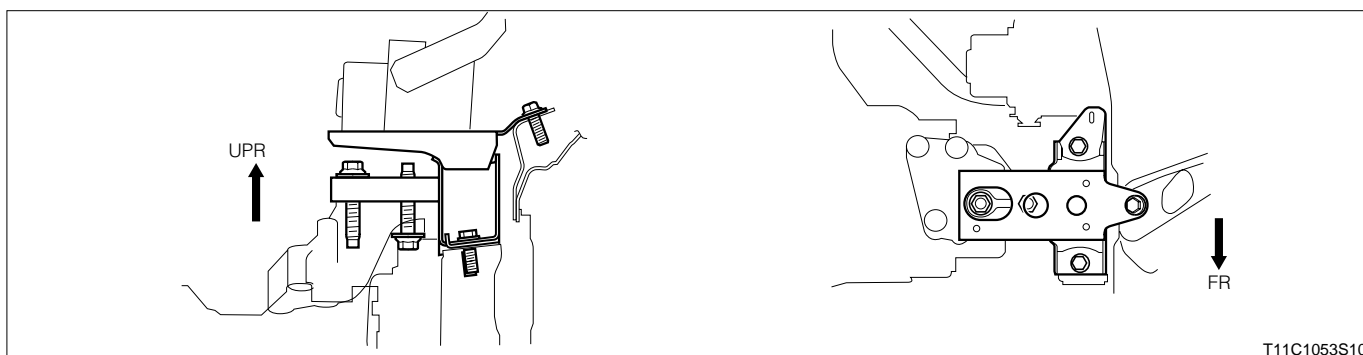
2-2 LEFT ENGINE MOUNTING INSULATOR

M/T vehicles



Left figure: Front side of vehicle; Right figure: Top of vehicle

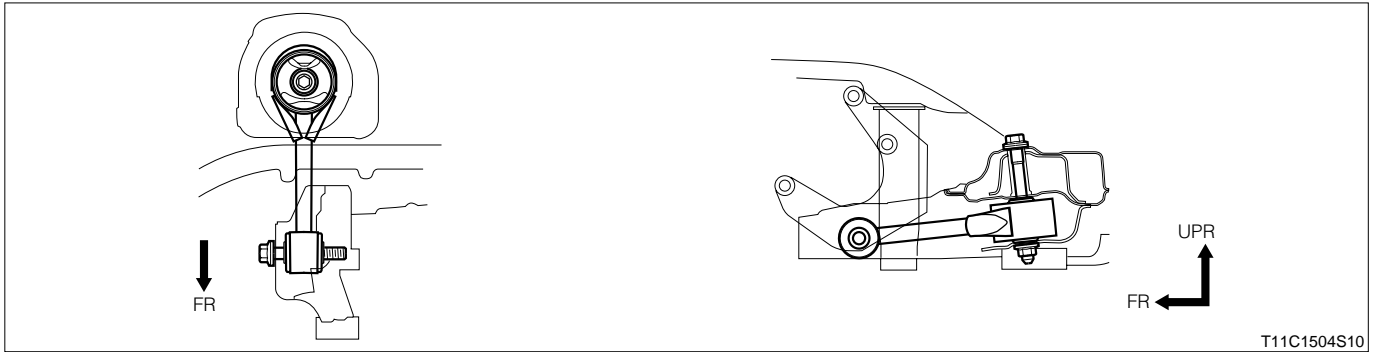
A/T vehicles



Left figure: Front side of vehicle; Right figure: Top of vehicle

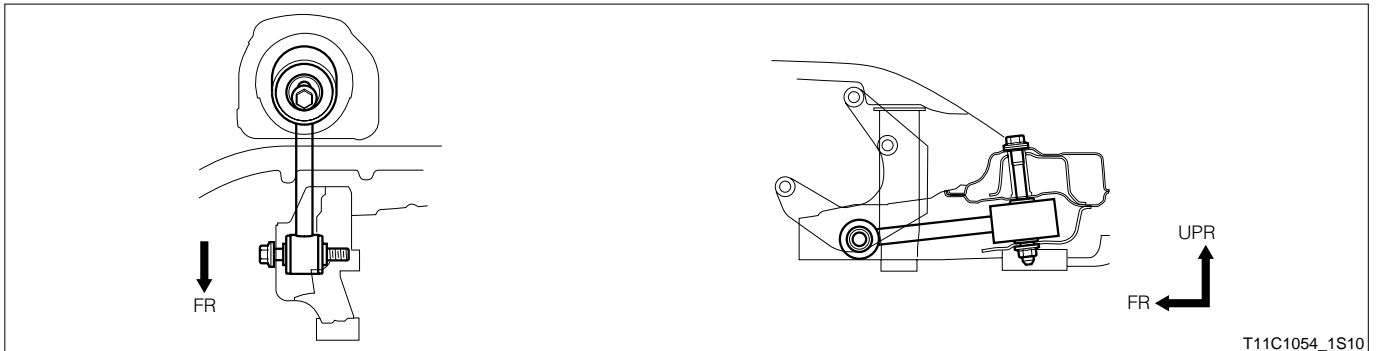
2-3 REAR ENGINE MOUNTING INSULATOR

M/T vehicles



Left figure: Top of vehicle; Right figure: Side of vehicle

A/T vehicles



Left figure: Top of vehicle; Right figure: Side of vehicle