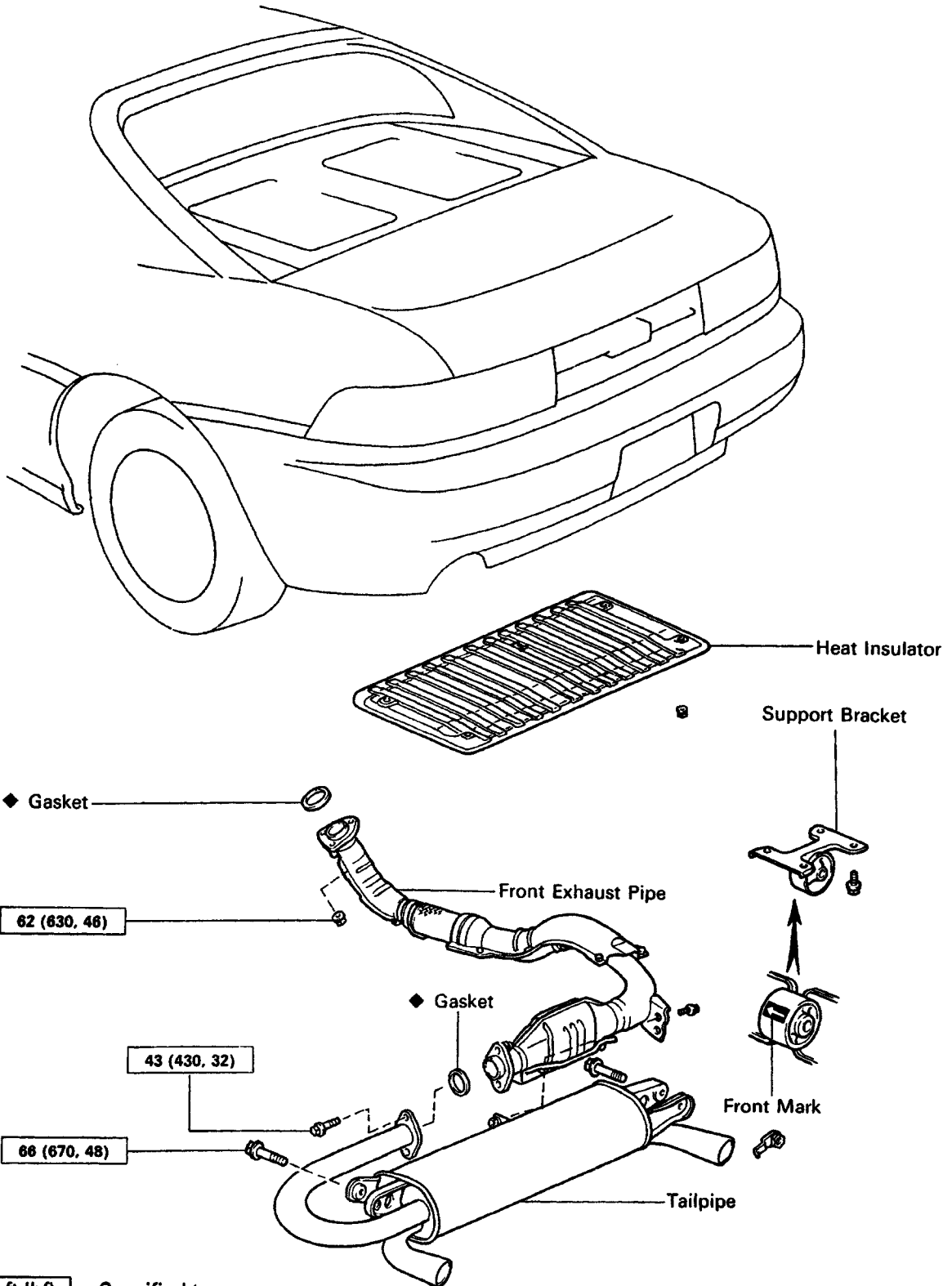


EXHAUST SYSTEM COMPONENTS

EG004-02

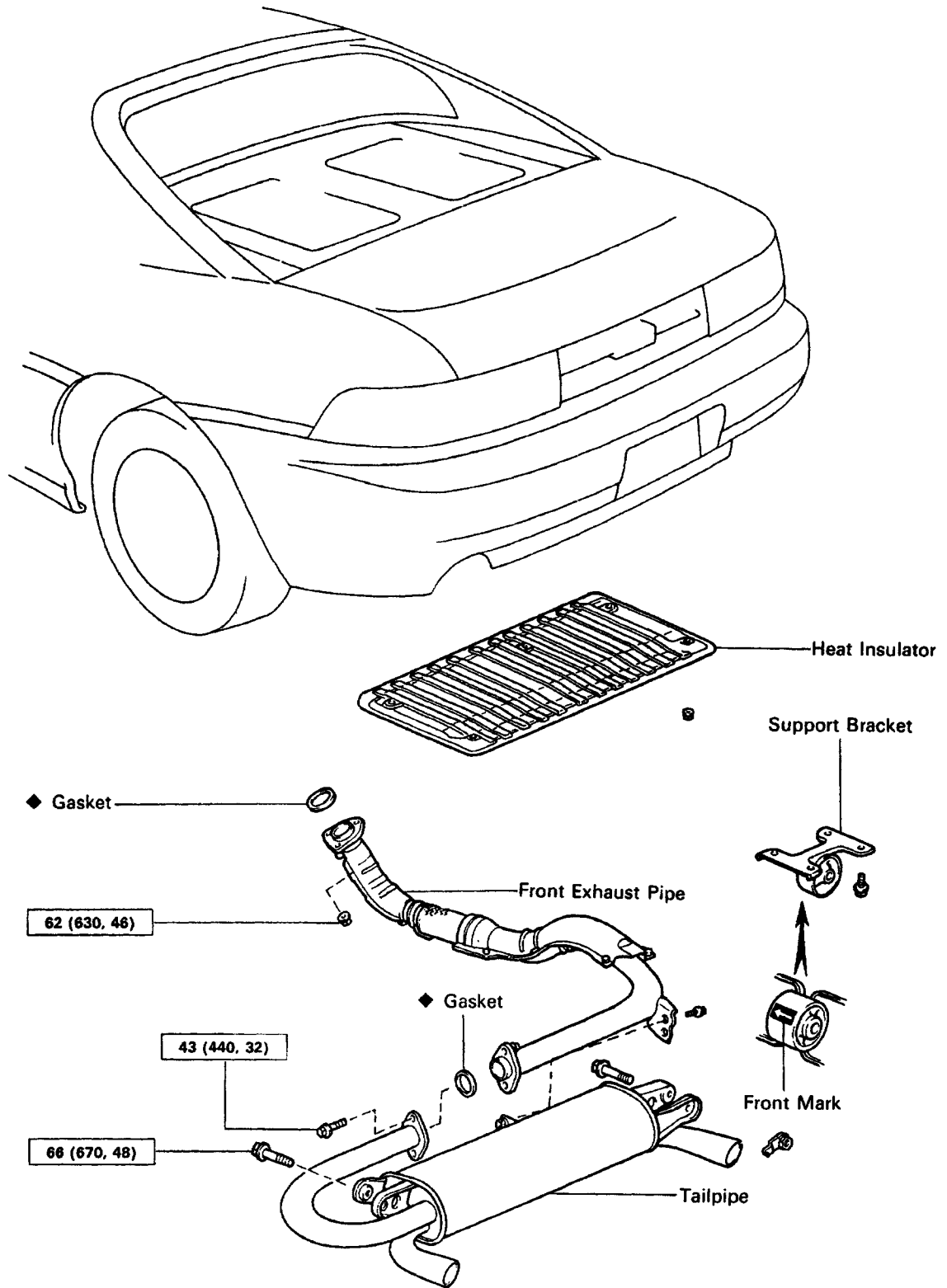
CALIF.



N·m (kgf·cm, ft·lbf) : Specified torque

◆ Non-reusable part

Ex. CALIF.



N·m (kgf·cm, ft·lbf) : Specified torque

◆ Non-reusable part