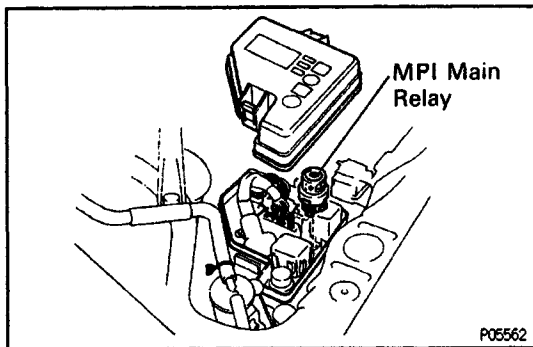
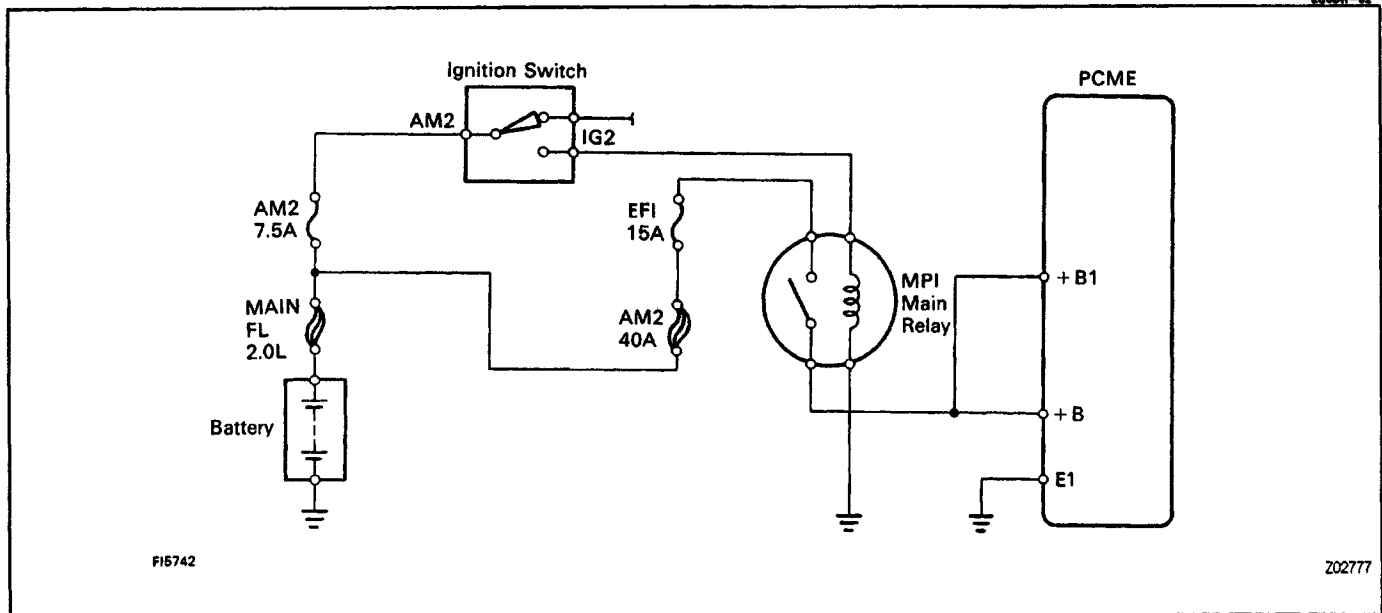
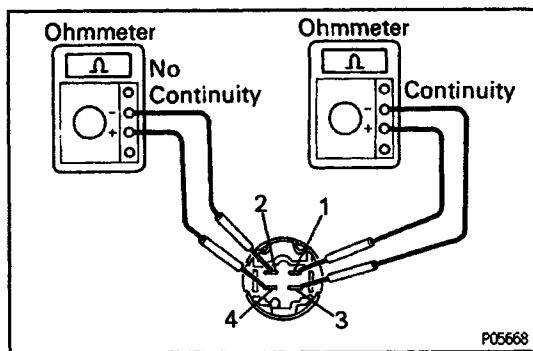


# MPI MAIN RELAY



## MPI MAIN RELAY ("EFI") INSPECTION

### 1. REMOVE MPI MAIN RELAY

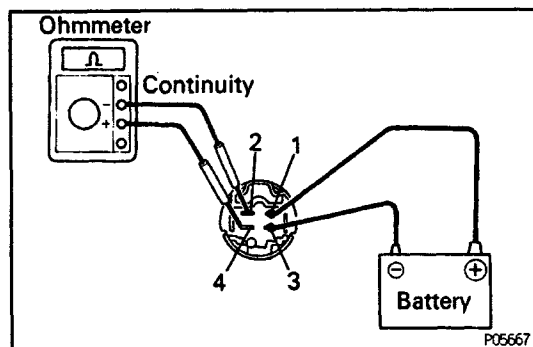


### 2. INSPECT MPI MAIN RELAY

#### A. Inspect relay continuity

- (a) Using an ohmmeter, check that there is continuity between terminals 1 and 3.
- (b) Check that there is no continuity between terminals 2 and 4.

If continuity is not as specified, replace the relay.



#### B. Inspect relay operation

- (a) Apply battery voltage across terminals 1 and 3.
- (b) Using an ohmmeter, check that there is continuity between the 2 and 4.

If operation is not as specified, replace the relay.

### 3. REINSTALL MPI MAIN RELAY