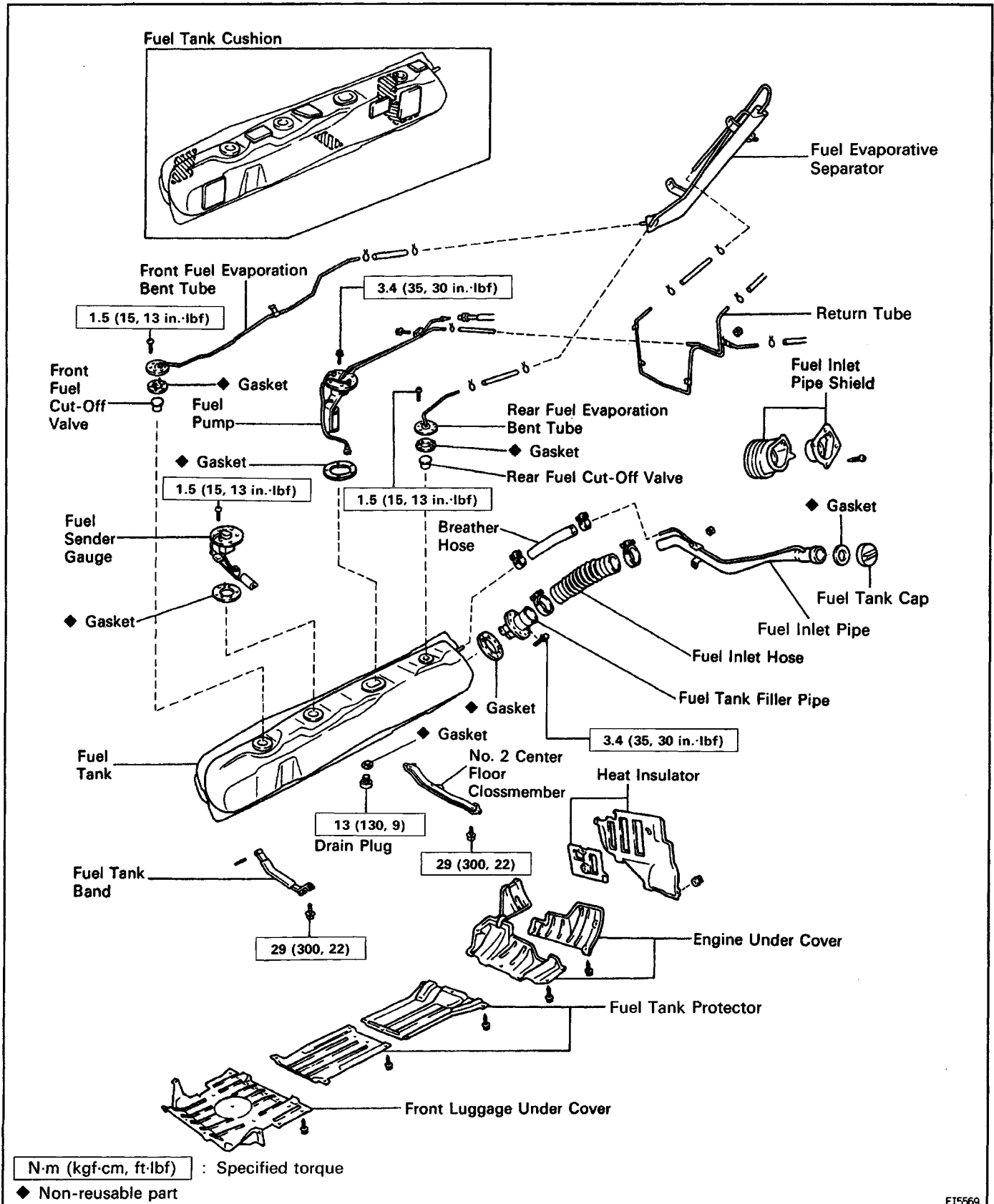


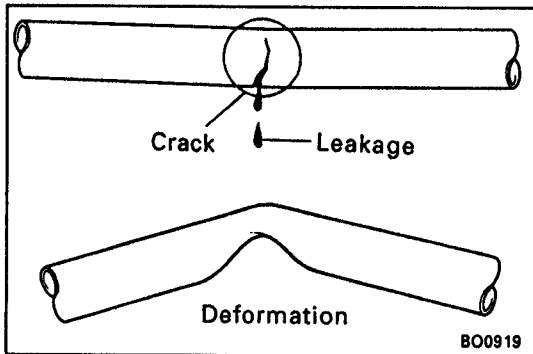
FUEL TANK AND LINE COMPONENTS

EG90C-02



PRECAUTIONS

1. Always use new gaskets when replacing the fuel tank or component parts.
2. Apply the proper torque to all parts tightened.



FUEL LINES AND CONNECTIONS INSPECTION

- (a) Check the fuel lines for cracks or leakage, and all connections for deformation.
- (b) Check the fuel tank vapor vent system hoses and connections for looseness, sharp bends or damage.
- (c) Check the fuel tank for deformation, cracks fuel leakage or tank band looseness.
- (d) Check the filler neck for damage or fuel leakage.
- (e) Hose and tube connections are as shown in the illustration.

If a problem is found, repair or replace the part as necessary.

