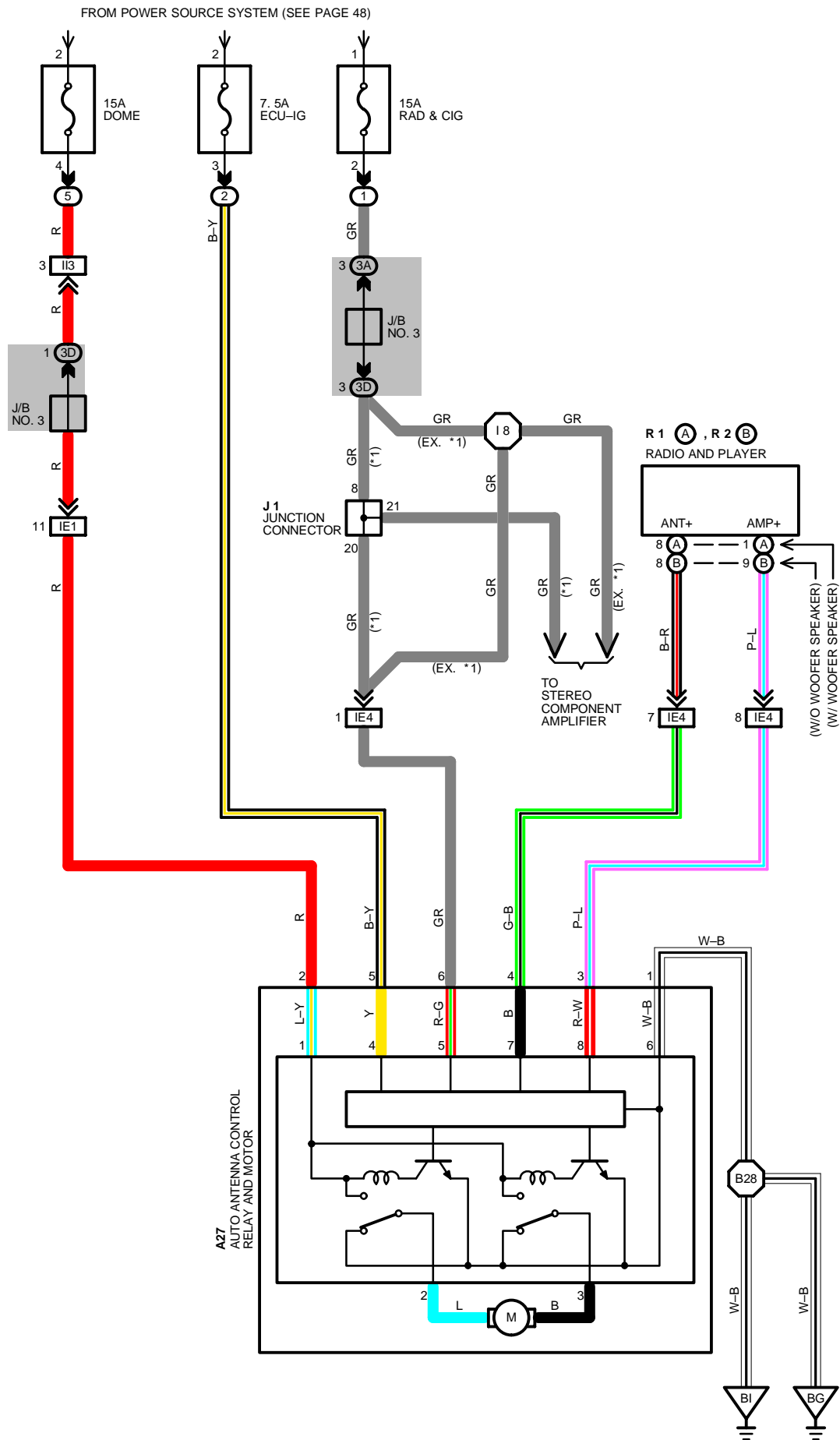


AUTO ANTENNA

*1 : (1) CANADA
 (2) USA (A/T)
 (3) USA (M/T) WITH CRUISE CONTROL, ABS,
 POWER WINDOW OR WOOFER SPEAKER



SERVICE HINTS

A27(B) AUTO ANTENNA CONTROL RELAY

- 9-GROUND : APPROX. 12 VOLTS WITH IGNITION SW AT **ON** POSITION
- 5-GROUND : APPROX. 12 VOLTS WITH IGNITION SW AT **ACC** OR **ON** POSITION
- 7-GROUND : ALWAYS APPROX. 12 VOLTS
- 8-GROUND : APPROX. 12 VOLTS WITH IGNITION SW AT **ACC** OR **ON** POSITION AND RADIO SW ON
- 3-GROUND : CONTINUITY (UPPER LIMIT SW ON) UNLESS ANTENNA AT **UP** STOP
- 2-GROUND : CONTINUITY (DOWN LIMIT SW ON) UNLESS ANTENNA AT **DOWN** STOP
- 4-3 : CLOSED WITH IGNITION SW AT **ACC** OR **ON** POSITION AND RADIO SW ON AND PLAYER SW OFF UNTIL ANTENNA AT **UPPERMOST** POSITION
- 1-2 : CLOSED WITH IGNITION SW AT **ACC** OR **ON** POSITION AND RADIO SW OFF AND PLAYER SW OFF UNTIL ANTENNA AT **LOWERMOST** POSITION
- 1-2 : CLOSED WITH IGNITION SW OFF UNTIL ANTENNA AT **LOWERMOST** POSITION

○ : PARTS LOCATION

CODE	SEE PAGE	CODE	SEE PAGE	CODE	SEE PAGE
A27	27	R 1	A	26	
J 1	26	R 2	B	26	

○ : RELAY BLOCKS

CODE	SEE PAGE	RELAY BLOCKS (RELAY BLOCK LOCATION)
1	20	R/B NO. 1 (LEFT KICK PANEL)
2	21	R/B NO. 2 (ENGINE COMPARTMENT LEFT)
5	21	R/B NO. 5 (FRONT LUGGAGE COMPARTMENT RIGHT)

○ : JUNCTION BLOCK AND WIRE HARNESS CONNECTOR

CODE	SEE PAGE	JUNCTION BLOCK AND WIRE HARNESS (CONNECTOR LOCATION)
3A	22	COWL WIRE AND J/B NO. 3 (BEHIND COMBINATION METER)
3D		

□ : CONNECTOR JOINING WIRE HARNESS AND WIRE HARNESS

CODE	SEE PAGE	JOINING WIRE HARNESS AND WIRE HARNESS (CONNECTOR LOCATION)
IE1	32	ENGINE ROOM MAIN WIRE AND COWL WIRE (LEFT KICK PANEL)
IE4		
II3	34	COWL WIRE AND LUGGAGE ROOM WIRE (RIGHT KICK PANEL)

▽ : GROUND POINTS

CODE	SEE PAGE	GROUND POINTS LOCATION
BI	36	BACK PANEL CENTER
BG	36	UNDER THE LEFT CENTER PILLAR

○ : SPLICE POINTS

CODE	SEE PAGE	WIRE HARNESS WITH SPLICE POINTS	CODE	SEE PAGE	WIRE HARNESS WITH SPLICE POINTS
I 8	34	COWL WIRE	B28	36	ENGINE ROOM MAIN WIRE

