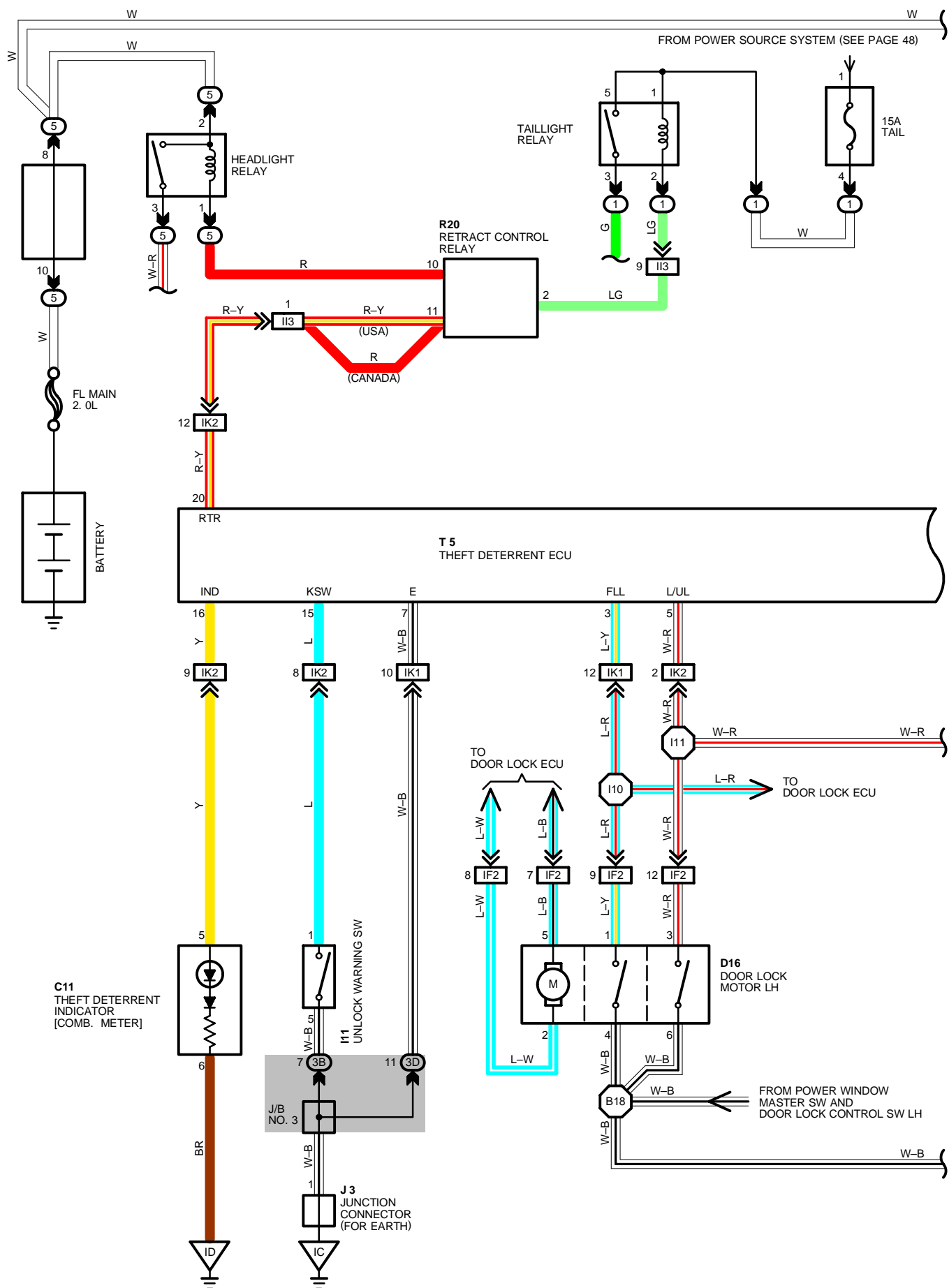
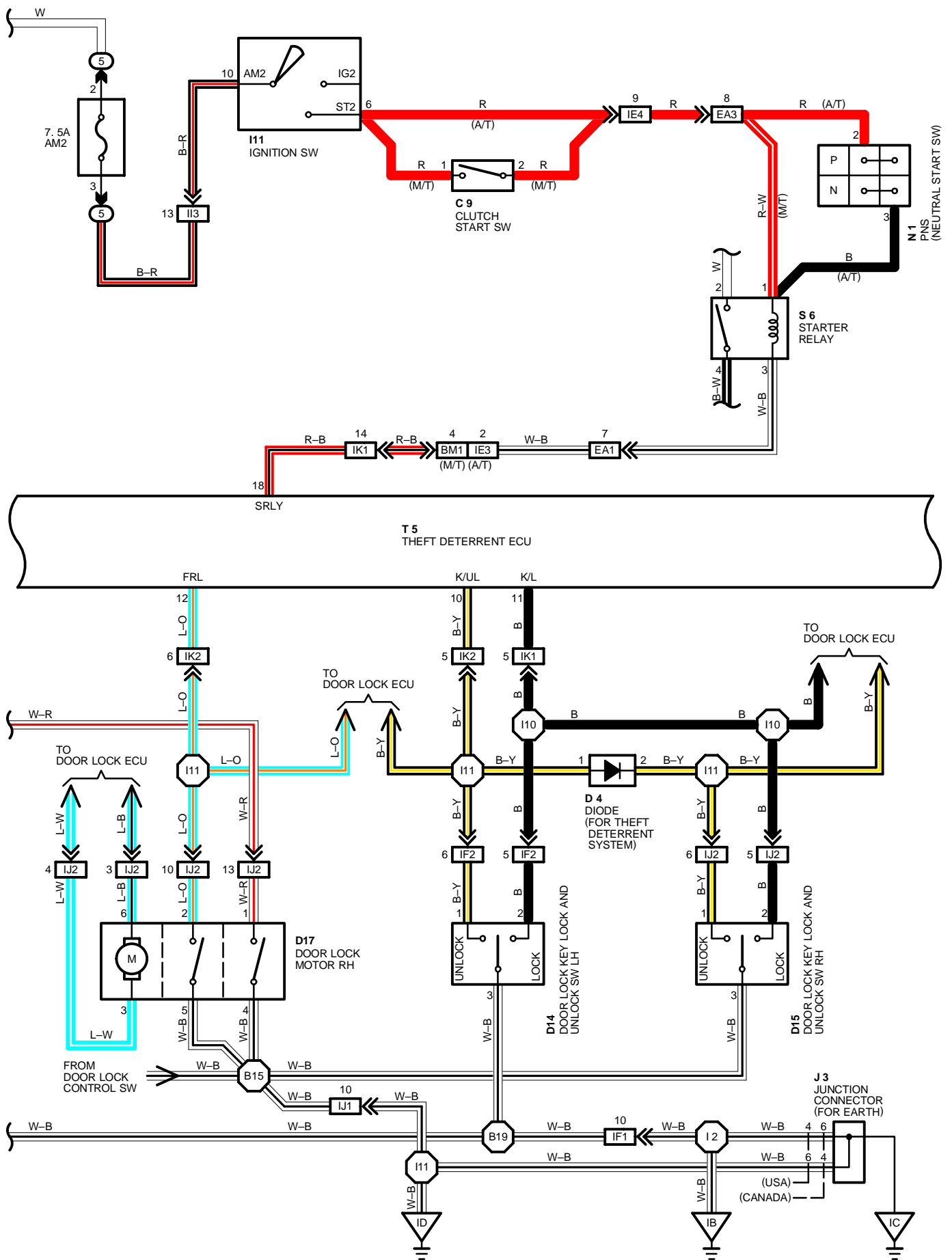
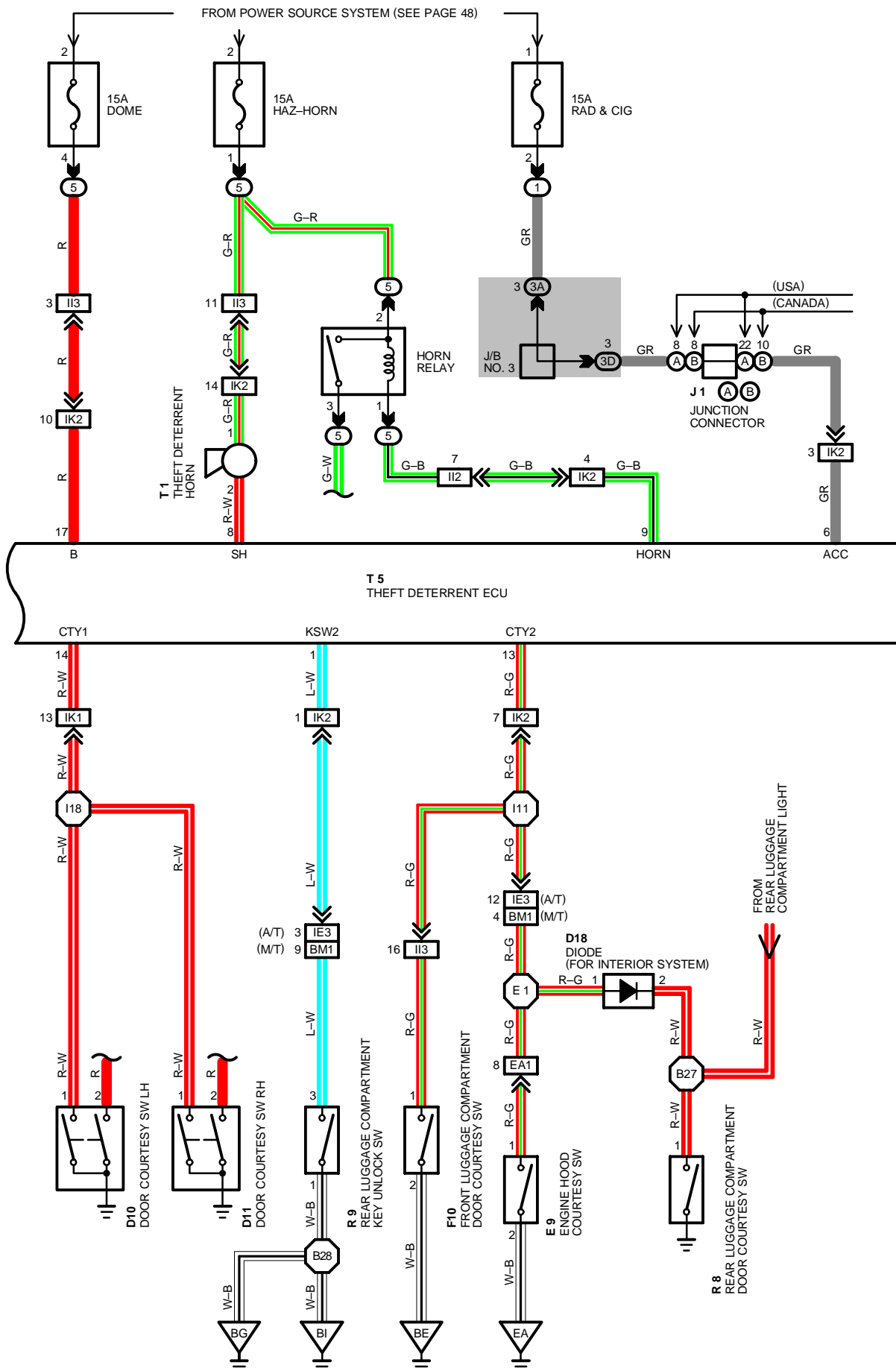


THEFT DETERRENT





THEFT DETERRENT



SERVICE HINTS

T5 THEFT DETERRENT ECU

- 13-GROUND: 0 VOLTS WITH ENGINE HOOD OR FRONT OR REAR LUGGAGE COMPARTMENT DOOR OPEN
: APPROX. 12 VOLTS WITH ENGINE HOOD OR FRONT OR REAR LUGGAGE COMPARTMENT DOOR OPEN
- 16-GROUND: APPROX. 12 VOLTS WITHIN 30 SECONDS WITH SYSTEM ON
- 10-GROUND: 0 VOLTS WITH LH OR RH DOOR UNLOCKED WITH KEY
APPROX. 12 VOLTS WITH LH OR RH DOOR EXCEPT UNLOCKED WITH KEY
- 6-GROUND : 12 VOLTS WITH IGNITION SW AT **ACC** OR **ON** POSITION
0 VOLTS WITH IGNITION SW OFF
- 7-GROUND : ALWAYS CONTINUITY
- 14-GROUND: 0 VOLTS WITH LH OR RH DOOR OPEN
APPROX. 12 VOLTS WITH LH OR RH DOOR CLOSED
- 5-GROUND : 0 VOLTS WITH LH OR RH DOOR LOCK LEVER PULLED
APPROX. 12 VOLTS WITH LH OR RH DOOR LOCK LEVER PULLED
- 1-GROUND : 0 VOLTS WITH REAR LUGGAGE COMPARTMENT DOOR UNLOCKED WITH THE KEY
12 VOLTS WITH REAR LUGGAGE COMPARTMENT DOOR LOCKED WITH THE KEY
- 11-GROUND: 0 VOLTS WITH LH OR RH DOOR LOCKED WITH THE KEY
APPROX. 12 VOLTS WITH LH OR RH DOOR EXCEPT LOCKED WITH THE KEY
- 18-GROUND: APPROX. 12 VOLTS WITH SYSTEM ON AND IGNITION SW **ST** POSITION
0 VOLTS WITH SYSTEM OPERATED
- 17-GROUND: ALWAYS APPROX. 12 VOLTS

D10, D11 DOOR COURTESY SW

- 1-GROUND : CLOSED WITH LH OR RH DOOR OPEN

D14, D15 DOOR LOCK KEY LOCK AND UNLOCK SW

- 1-3 : CLOSED WITH KEY CYLINDER UNLOCKED WITH KEY
2-3 : CLOSED WITH KEY CYLINDER LOCKED WITH KEY

D16, D17 DOOR LOCK MOTOR

- 3-6 : CLOSED WITH DOOR LOCK LEVER PULLED

E 9 ENGINE HOOD COURTESY SW

- 1-2 : CLOSED WITH ENGINE HOOD OPEN

R 8 REAR LUGGAGE COMPARTMENT DOOR COURTESY SW

- 1-GROUND : CLOSED WITH REAR LUGGAGE COMPARTMENT DOOR OPEN

R 9 REAR LUGGAGE COMPARTMENT KEY UNLOCK SW

- 1-2 : CLOSED WITH REAR LUGGAGE COMPARTMENT DOOR UNLOCKED WITH THE KEY

○ : PARTS LOCATION

CODE	SEE PAGE	CODE	SEE PAGE	CODE	SEE PAGE
C 9	26	D17	27	N 1	24
C11	26	D18	27	R 8	27
D 4	26	E 9	24 (5S-FE), 25 (3S-GTE)	R 9	27
D10	27	F10	27	R20	27
D11	27	I11	26	S 6	24 (5S-FE), 25 (3S-GTE)
D14	27	J 1	A 26	T 1	24 (5S-FE), 25 (3S-GTE)
D15	27		B 26	T 5	27
D16	27	J 3	26		

○ : RELAY BLOCKS

CODE	SEE PAGE	RELAY BLOCKS (RELAY BLOCK LOCATION)
1	20	R/B NO. 1 (LEFT KICK PANEL)
5	21	R/B NO. 5 (FRONT LUGGAGE COMPARTMENT RIGHT)

○ : JUNCTION BLOCK AND WIRE HARNESS CONNECTOR

CODE	SEE PAGE	JUNCTION BLOCK AND WIRE HARNESS (CONNECTOR LOCATION)
3A	22	COWL WIRE AND J/B NO. 3 (BEHIND COMBINATION METER)
3B		
3D		

THEFT DETERRENT

☐ : CONNECTOR JOINING WIRE HARNESS AND WIRE HARNESS

CODE	SEE PAGE	JOINING WIRE HARNESS AND WIRE HARNESS (CONNECTOR LOCATION)
EA1	28 (5S-FE)	ENGINE WIRE AND ENGINE ROOM MAIN WIRE (REAR LUGGAGE COMPARTMENT LEFT)
	30 (3S-GTE)	
EA3	28 (5S-FE)	ENGINE WIRE AND ENGINE ROOM MAIN WIRE (R/B NO. 2 INNER)
	30 (3S-GTE)	
IE3	32	ENGINE ROOM MAIN WIRE AND COWL WIRE (LEFT KICK PANEL)
IE4		
IF1	32	COWL WIRE AND FRONT DOOR LH WIRE (LEFT KICK PANEL)
IF2	32	FRONT DOOR LH WIRE AND COWL WIRE (LEFT KICK PANEL)
I12	34	LUGGAGE ROOM WIRE AND COWL WIRE (RIGHT KICK PANEL)
I13	34	COWL WIRE AND LUGGAGE ROOM WIRE (RIGHT KICK PANEL)
IJ1	34	COWL WIRE AND FRONT DOOR RH WIRE (RIGHT KICK PANEL)
IJ2	34	FRONT DOOR RH WIRE AND COWL WIRE (RIGHT KICK PANEL)
IK1	34	FLOOR WIRE AND COWL WIRE (RIGHT KICK PANEL)
IK2		
BM1	36	ENGINE ROOM MAIN WIRE AND COWL WIRE (ROOM PARTITION BOARD LEFT)

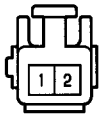
▽ : GROUND POINTS

CODE	SEE PAGE	GROUND POINTS LOCATION
EA	28 (5S-FE)	INTAKE MANIFOLD
	30 (3S-GTE)	
IB	32	LEFT KICK PANEL
IC	32	INSTRUMENT PANEL BRACE LH
ID	32	RIGHT KICK PANEL
BE	36	FRONT RIGHT FENDER
BG	36	UNDER THE LEFT CENTER PILLAR
BI	36	BACK PANEL CENTER

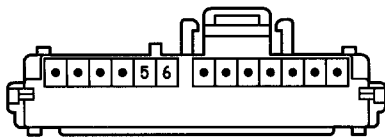
○ : SPLICE POINTS

CODE	SEE PAGE	WIRE HARNESS WITH SPLICE POINTS	CODE	SEE PAGE	WIRE HARNESS WITH SPLICE POINTS
E 1	28	ENGINE ROOM MAIN WIRE	B15	36	FRONT DOOR RH WIRE
I 2	34	COWL WIRE	B18	36	FRONT DOOR LH WIRE
I10			B19		
I11			B27	ENGINE ROOM MAIN WIRE	
I16			B28		
I18					

C 9



C11 BLUE



D 4, D18 BLACK



D10, D11



D14, D15 GRAY



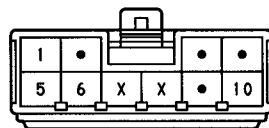
D16, D17



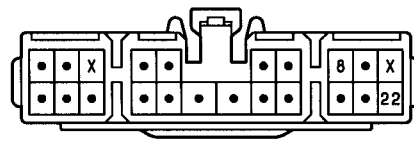
E 9, F10 BLACK



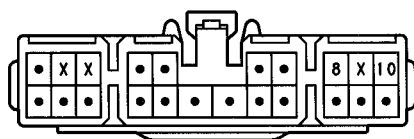
I11 BLACK



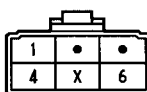
J 1 A



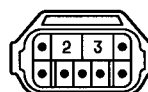
J 1 B



J 3



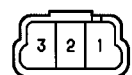
N 1 GRAY



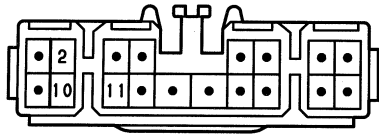
R 8 GRAY



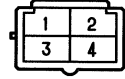
R 9



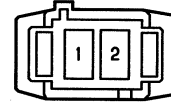
R20



S 6



T 1 BLACK



T 5

