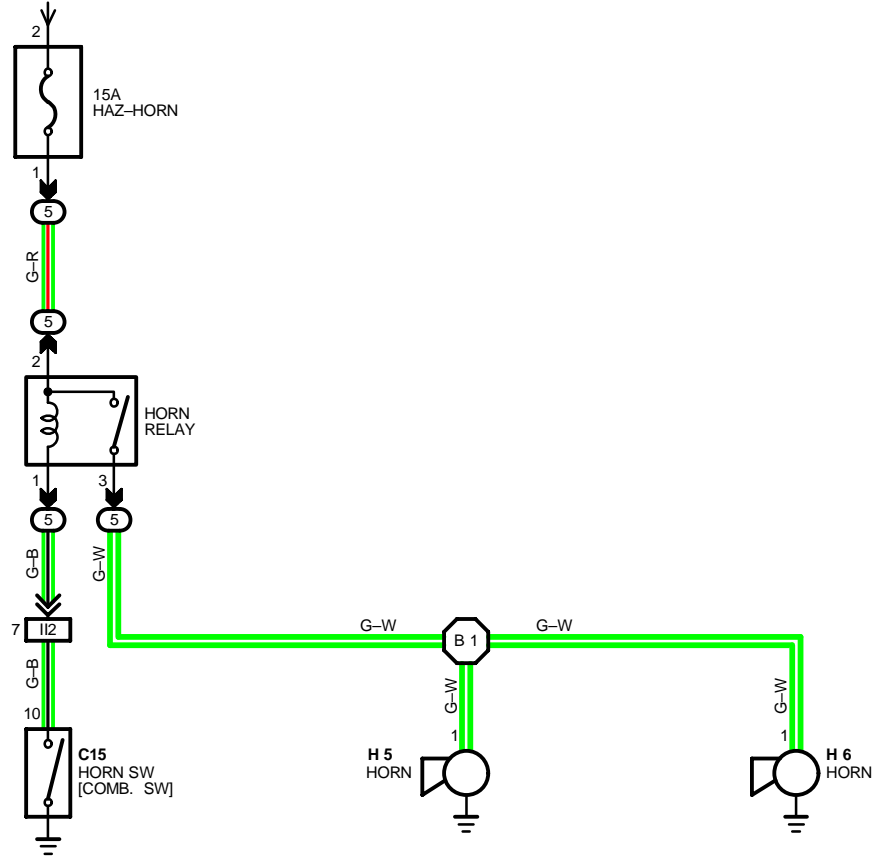


FROM POWER SOURCE SYSTEM (SEE PAGE 48)



### SERVICE HINTS

#### HORN RELAY

(5) 2- (5)3 : CLOSED WITH HORN SW ON

#### ○ : PARTS LOCATION

| CODE | SEE PAGE | CODE | SEE PAGE | CODE | SEE PAGE |
|------|----------|------|----------|------|----------|
| C15  | 26       | H 5  | 27       | H 6  | 27       |

#### □ : RELAY BLOCKS

| CODE | SEE PAGE | RELAY BLOCKS (RELAY BLOCK LOCATION)         |
|------|----------|---|
| 5    | 21       | R/B NO. 5 (FRONT LUGGAGE COMPARTMENT RIGHT) |

#### □ : CONNECTOR JOINING WIRE HARNESS AND WIRE HARNESS

| CODE | SEE PAGE | JOINING WIRE HARNESS AND WIRE HARNESS (CONNECTOR LOCATION) |
|------|----------|--|
| II2  | 34       | LUGGAGE ROOM WIRE AND COWL WIRE (RIGHT KICK PANEL)         |

#### ○ : SPLICE POINTS

| CODE | SEE PAGE | WIRE HARNESS WITH SPLICE POINTS | CODE | SEE PAGE | WIRE HARNESS WITH SPLICE POINTS |
|------|----------|---------------------------------|------|----------|---------------------------------|
| B 1  | 36       | LUGGAGE ROOM WIRE               |      |          |                                 |

