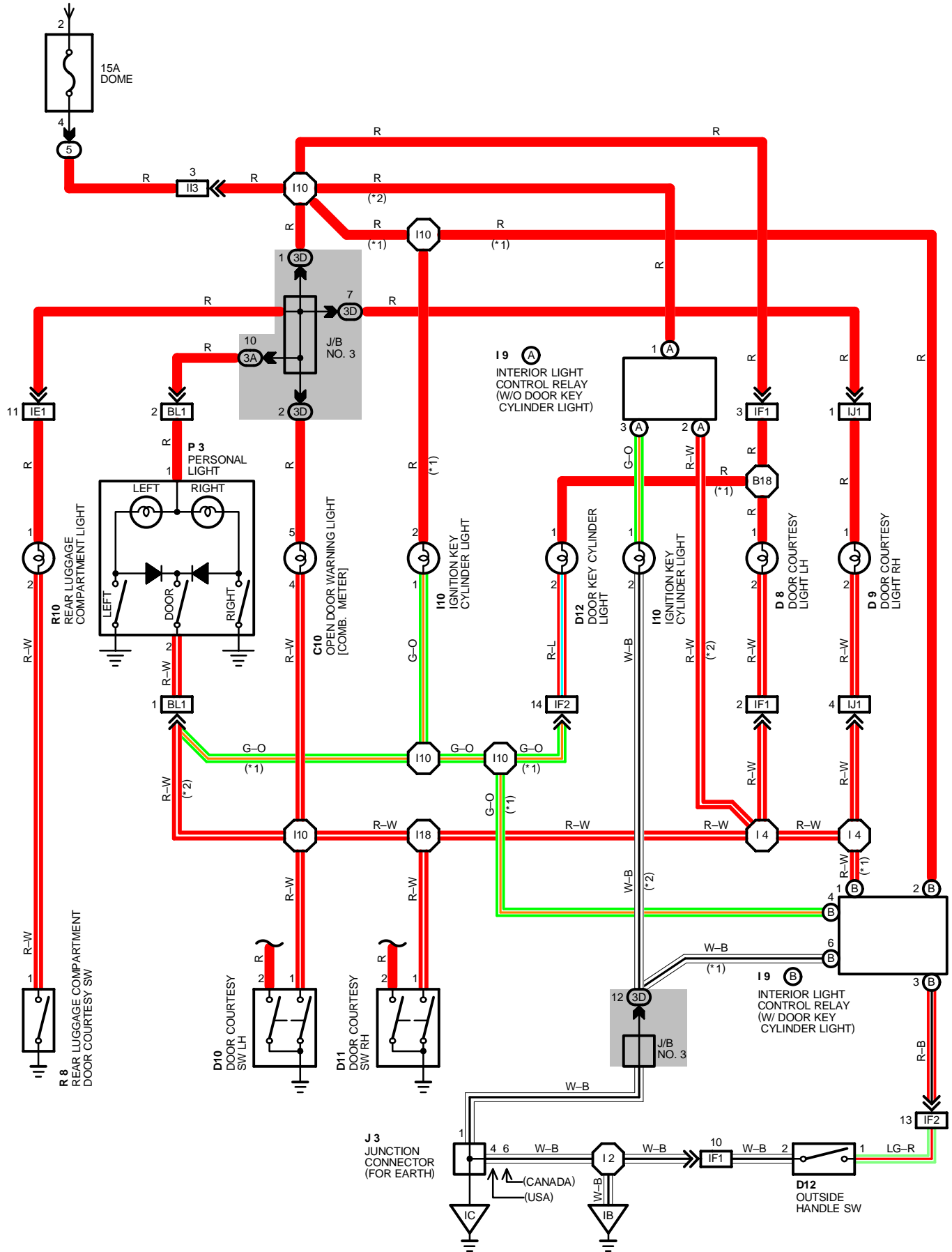


# INTERIOR LIGHT

\*1 : W/ DOOR KEY CYLINDER LIGHT  
 \*2 : W/O DOOR KEY CYLINDER LIGHT

FROM POWER SOURCE SYSTEM (SEE PAGE 48)



## SERVICE HINTS

### D10 DOOR COURTESY SW LH

1-GROUND : CLOSED WITH DRIVER'S DOOR OPEN

### D11 DOOR COURTESY SW RH

1-GROUND : CLOSED WITH PASSENGER'S DOOR OPEN

### R 8 REAR LUGGAGE COMPARTMENT DOOR COURTESY SW

1-GROUND : CLOSED WITH REAR LUGGAGE COMPARTMENT DOOR OPEN

## ○ : PARTS LOCATION

CODE	SEE PAGE	CODE	SEE PAGE	CODE	SEE PAGE
C10	26	D12	27	P 3	27
D 8	27	I 9	A 26	R 8	27
D 9	27		B 26	R10	27
D10	27	I10	26		
D11	27	J 3	26		

## ○ : RELAY BLOCKS

CODE	SEE PAGE	RELAY BLOCKS (RELAY BLOCK LOCATION)
5	21	R/B NO. 5 (FRONT LUGGAGE COMPARTMENT RIGHT)

## ○ : JUNCTION BLOCK AND WIRE HARNESS CONNECTOR

CODE	SEE PAGE	JUNCTION BLOCK AND WIRE HARNESS (CONNECTOR LOCATION)
3A	22	COWL WIRE AND J/B NO. 3 (BEHIND COMBINATION METER)
3D		

## □ : CONNECTOR JOINING WIRE HARNESS AND WIRE HARNESS

CODE	SEE PAGE	JOINING WIRE HARNESS AND WIRE HARNESS (CONNECTOR LOCATION)
IE1	32	ENGINE ROOM MAIN WIRE AND COWL WIRE (LEFT KICK PANEL)
IF1	32	COWL WIRE AND FRONT DOOR LH WIRE (LEFT KICK PANEL)
IF2	32	FRONT DOOR LH WIRE AND COWL WIRE (LEFT KICK PANEL)
I13	34	COWL WIRE AND LUGGAGE ROOM WIRE (RIGHT KICK PANEL)
IJ1	34	COWL WIRE AND FRONT DOOR RH WIRE (RIGHT KICK PANEL)
BL1	36	ROOF WIRE AND COWL WIRE (UNDER THE RIGHT FRONT PILLAR)

## ▽ : GROUND POINTS

CODE	SEE PAGE	GROUND POINTS LOCATION
IB	32	LEFT KICK PANEL
IC	32	INSTRUMENT PANEL BRACE LH

## ○ : SPLICE POINTS

CODE	SEE PAGE	WIRE HARNESS WITH SPLICE POINTS	CODE	SEE PAGE	WIRE HARNESS WITH SPLICE POINTS
I 2	34	COWL WIRE	I18	34	COWL WIRE
I 4			B18	36	FRONT DOOR LH WIRE
I10					

