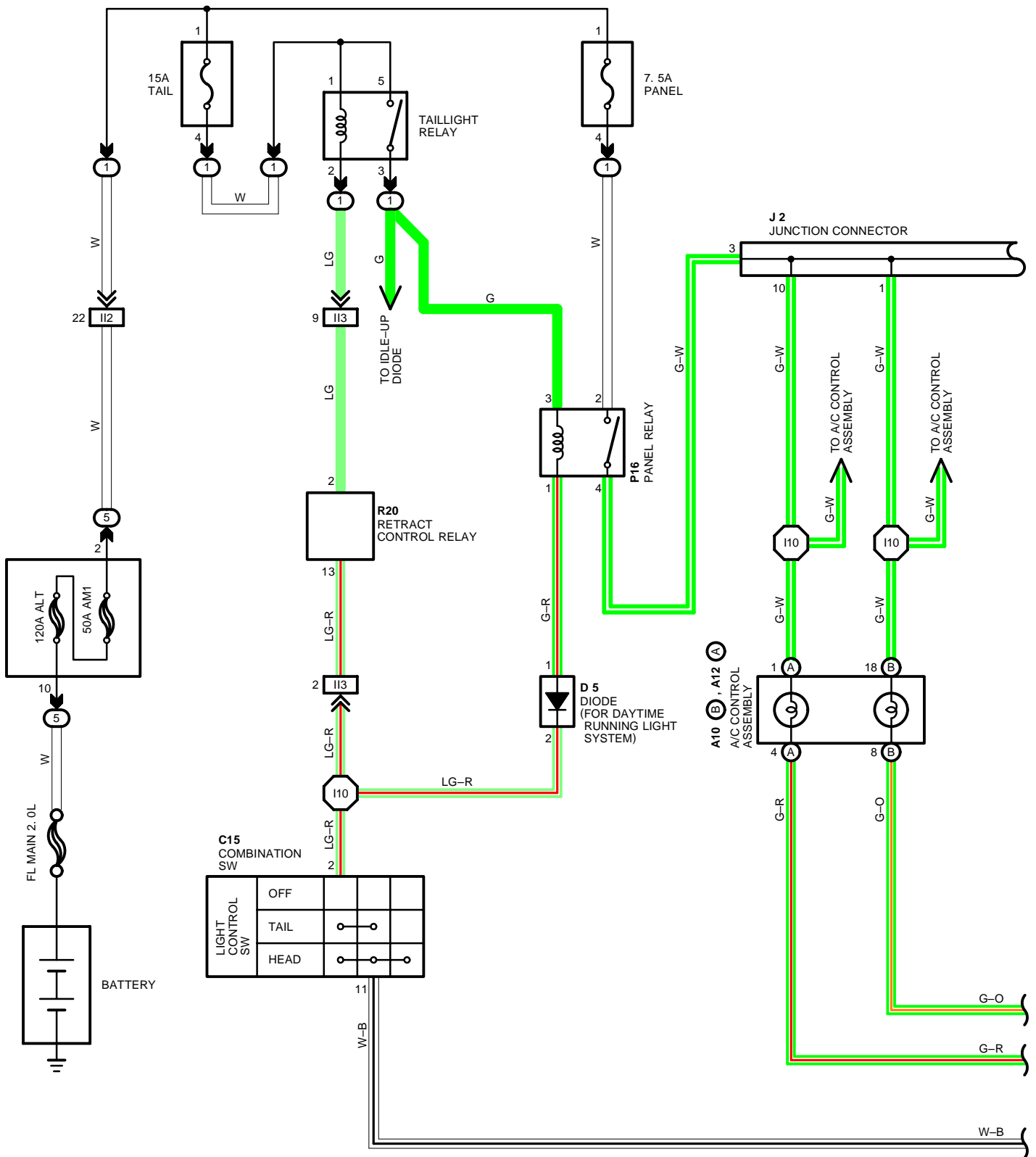


ILLUMINATION (FOR CANADA)



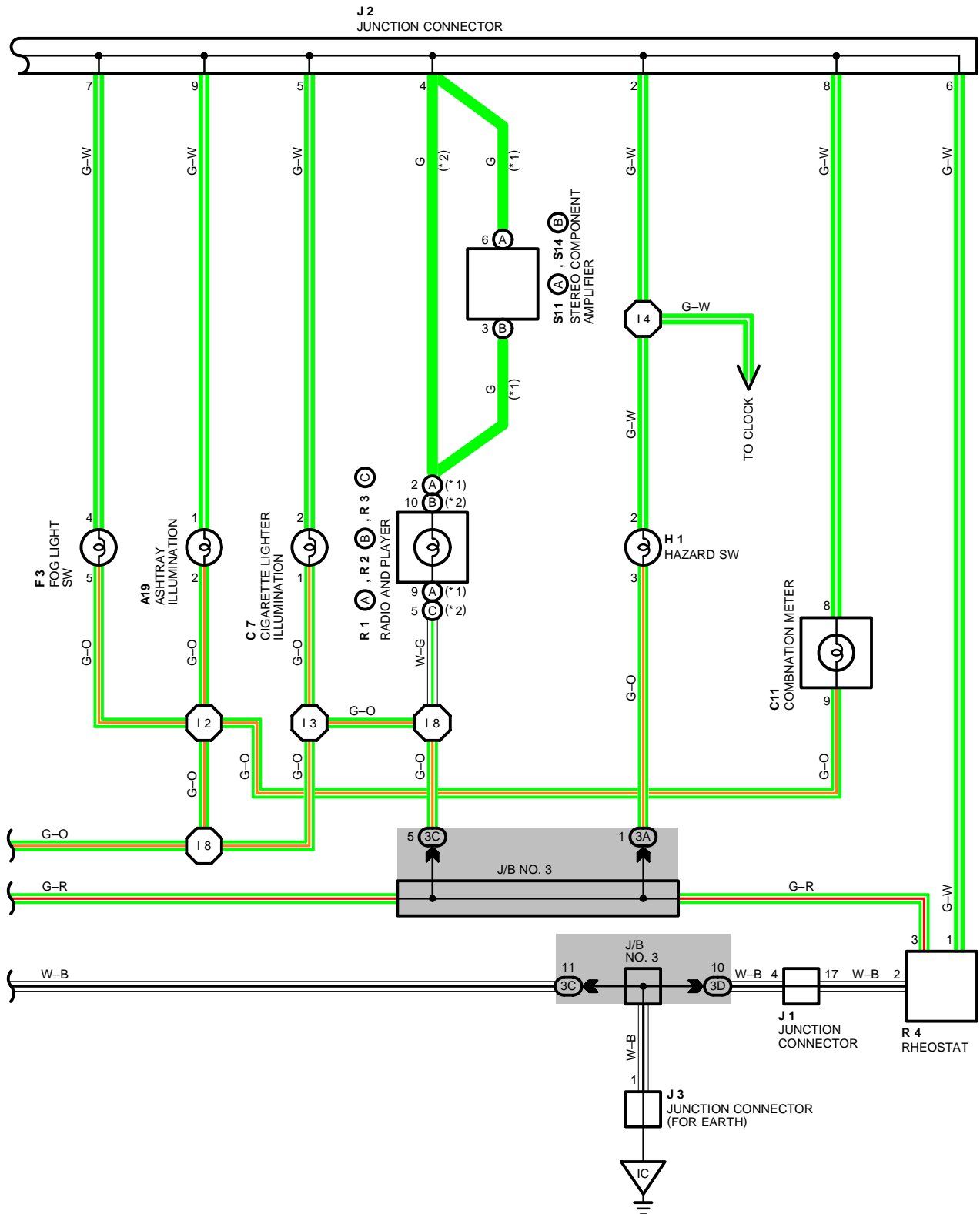
SERVICE HINTS

TAILLIGHT RELAY

(1) 5- (1) 3 : CLOSED WITH LIGHT CONTROL SW AT **TAIL** OR **HEAD** POSITION (WHEN LIGHT AUTO TURN OFF SYSTEM IS OFF)

R 4 RHEOSTAT

1-2 : APPROX. **12** VOLTS WITH RHEOSTAT FULLY TURNED COUNTERCLOCKWISE AND **0** VOLTS WITH FULLY TURNED CLOCKWISE



ILLUMINATION (FOR CANADA)

○ : PARTS LOCATION

CODE		SEE PAGE	CODE		SEE PAGE	CODE		SEE PAGE
A10	B	26	F 3	26	R 2	B	26	
A12	A	26	H 1	26	R 3	C	26	
A19		26	J 1	26	R 4		26	
C 7		26	J 2	26	R20		27	
C11		26	J 3	26	S11	A	27	
C15		26	P16	26	S14	B	27	
D 5		26	R 1	A				

○ : RELAY BLOCKS

CODE	SEE PAGE	RELAY BLOCKS (RELAY BLOCK LOCATION)
1	20	R/B NO. 1 (LEFT KICK PANEL)
5	21	R/B NO. 5 (FRONT LUGGAGE COMPARTMENT RIGHT)

○ : JUNCTION BLOCK AND WIRE HARNESS CONNECTOR

CODE	SEE PAGE	JUNCTION BLOCK AND WIRE HARNESS (CONNECTOR LOCATION)
3A	22	COWL WIRE AND J/B NO. 3 (BEHIND COMBINATION METER)
3C		
3D		

□ : CONNECTOR JOINING WIRE HARNESS AND WIRE HARNESS

CODE	SEE PAGE	JOINING WIRE HARNESS AND WIRE HARNESS (CONNECTOR LOCATION)
I12	34	LUGGAGE ROOM WIRE AND COWL WIRE (RIGHT KICK PANEL)
I13	34	COWL WIRE AND LUGGAGE ROOM WIRE (RIGHT KICK PANEL)

▽ : GROUND POINTS

CODE	SEE PAGE	GROUND POINTS LOCATION
IC	32	INSTRUMENT PANEL BRACE LH

○ : SPLICE POINTS

CODE	SEE PAGE	WIRE HARNESS WITH SPLICE POINTS	CODE	SEE PAGE	WIRE HARNESS WITH SPLICE POINTS
I 2	34	COWL WIRE	I 8	34	COWL WIRE
I 3			I10		

