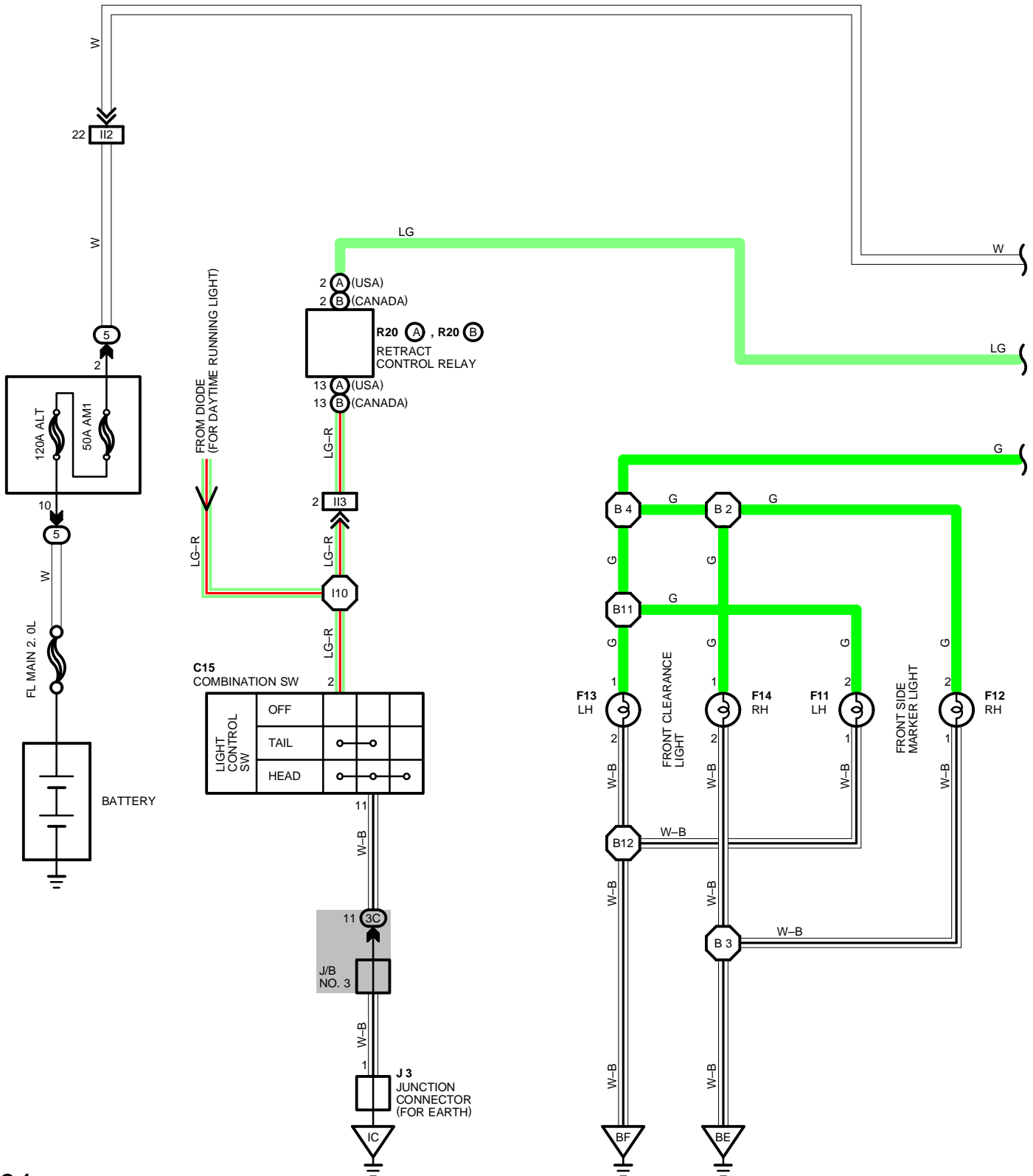


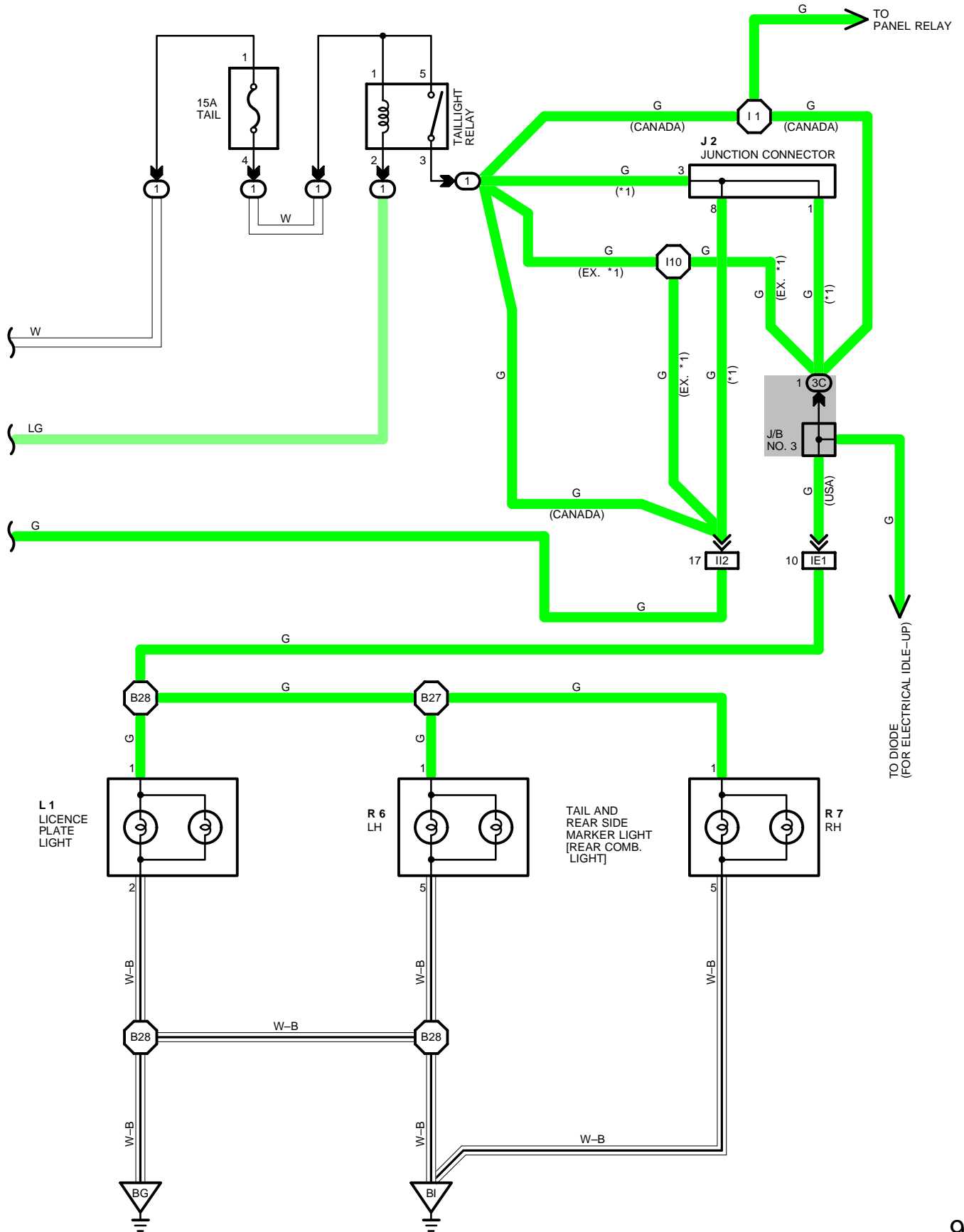
TAILLIGHT



SERVICE HINTS

TAILLIGHT RELAY

(1) 5- (1) 3 : CLOSED WITH LIGHT CONTROL SW AT TAIL OR HEAD POSITION



TAILLIGHT

○ : PARTS LOCATION

CODE	SEE PAGE	CODE	SEE PAGE	CODE	SEE PAGE
C15	26	F14	27	R 6	27
F11	27	J 2	26	R 7	27
F12	27	J 3	26	R20	A 27
F13	27	L 1	27		B 27

○ : RELAY BLOCKS

CODE	SEE PAGE	RELAY BLOCKS (RELAY BLOCK LOCATION)
1	20	R/B NO. 1 (LEFT KICK PANEL)
5	21	R/B NO. 5 (FRONT LUGGAGE COMPARTMENT RIGHT)

○ : JUNCTION BLOCK AND WIRE HARNESS CONNECTOR

CODE	SEE PAGE	JUNCTION BLOCK AND WIRE HARNESS (CONNECTOR LOCATION)
3C	22	COWL WIRE AND J/B NO. 3 (BEHIND COMBINATION METER)

□ : CONNECTOR JOINING WIRE HARNESS AND WIRE HARNESS

CODE	SEE PAGE	JOINING WIRE HARNESS AND WIRE HARNESS (CONNECTOR LOCATION)
IE1	32	ENGINE ROOM MAIN WIRE AND COWL WIRE (LEFT KICK PANEL)
II2	34	LUGGAGE ROOM WIRE AND COWL WIRE (RIGHT KICK PANEL)
II3	34	COWL WIRE AND LUGGAGE ROOM WIRE (RIGHT KICK PANEL)

▽ : GROUND POINTS

CODE	SEE PAGE	GROUND POINTS LOCATION
IC	32	INSTRUMENT PANEL BRACE LH
BE	36	FRONT RIGHT FENDER
BF	36	FRONT LEFT FENDER
BG	36	UNDER THE LEFT CENTER PILLAR
BI	36	BACK PANEL CENTER

○ : SPLICE POINTS

CODE	SEE PAGE	WIRE HARNESS WITH SPLICE POINTS	CODE	SEE PAGE	WIRE HARNESS WITH SPLICE POINTS
I 1	34	COWL WIRE	B11	36	LUGGAGE ROOM WIRE
I10			B12		
B 2	36	LUGGAGE ROOM WIRE	B27	36	ENGINE ROOM MAIN WIRE
B 3			B28		
B 4					

