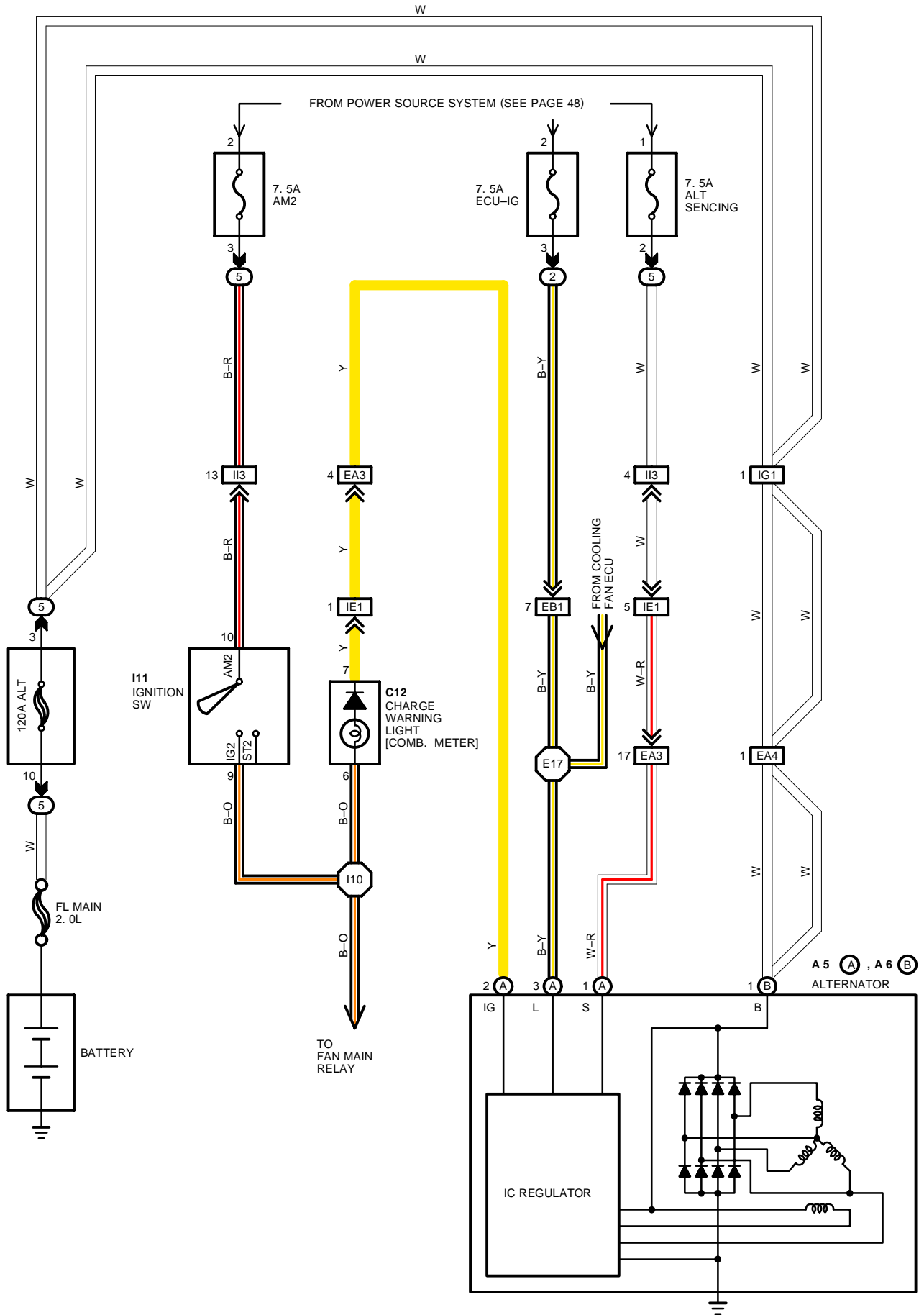


CHARGING



SERVICE HINTS

A 5(A) (ALTERNATOR)

- (A) 1-GROUND: 13.9–15.1 VOLTS WITH ENGINE RUNNING AT 2000 RPM AND 25°C (77°F)
 13.5–14.3 VOLTS WITH ENGINE RUNNING AT 2000 RPM AND 115°C (239°F)
 (A) 2-GROUND: 0–4 VOLTS WITH IGNITION SW AT ON POSITION AND ENGINE NOT RUNNING

○ : PARTS LOCATION

CODE		SEE PAGE	CODE	SEE PAGE	CODE	SEE PAGE
A 5	A	20 (5S-FE), 21 (3S-GTE)	C12	22		
A 6	B	20 (5S-FE), 21 (3S-GTE)	I11	22		

○ : RELAY BLOCKS

CODE	SEE PAGE	RELAY BLOCKS (RELAY BLOCK LOCATION)
2	21	R/B NO. 2 (ENGINE COMPARTMENT LEFT)
5	17	R/B NO. 5 (FRONT LUGGAGE COMPARTMENT RIGHT)

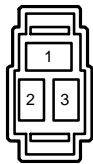
□ : CONNECTOR JOINING WIRE HARNESS AND WIRE HARNESS

CODE	SEE PAGE	JOINING WIRE HARNESS AND WIRE HARNESS (CONNECTOR LOCATION)
EA3	24 (5S-FE)	ENGINE WIRE AND ENGINE ROOM MAIN WIRE (R/B NO. 2 INNER)
	26 (3S-GTE)	
EA4	24 (5S-FE)	
	26 (3S-GTE)	
EB1	24 (5S-FE)	ENGINE WIRE AND R/B NO. 2 (R/B NO. 2 INNER)
	26 (3S-GTE)	
IE1	28	ENGINE ROOM MAIN WIRE AND COWL WIRE (LEFT KICK PANEL)
IG1	28	LUGGAGE ROOM WIRE AND ENGINE ROOM MAIN WIRE (BEHIND FOOTREST)
II3	30	COWL WIRE AND LUGGAGE ROOM WIRE (RIGHT KICK PANEL)

○ : SPLICE POINTS

CODE	SEE PAGE	WIRE HARNESS WITH SPLICE POINTS	CODE	SEE PAGE	WIRE HARNESS WITH SPLICE POINTS
E17	26 (3S-GTE)	ENGINE WIRE	I10	30	COWL WIRE

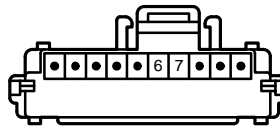
A 5 (A) BLACK



A 6 (B)



C12 GRAY



I11 BLACK

