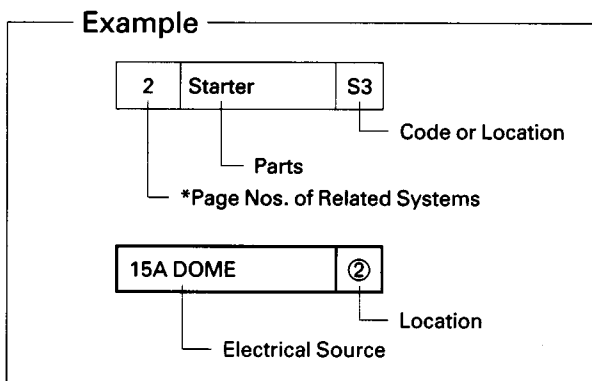
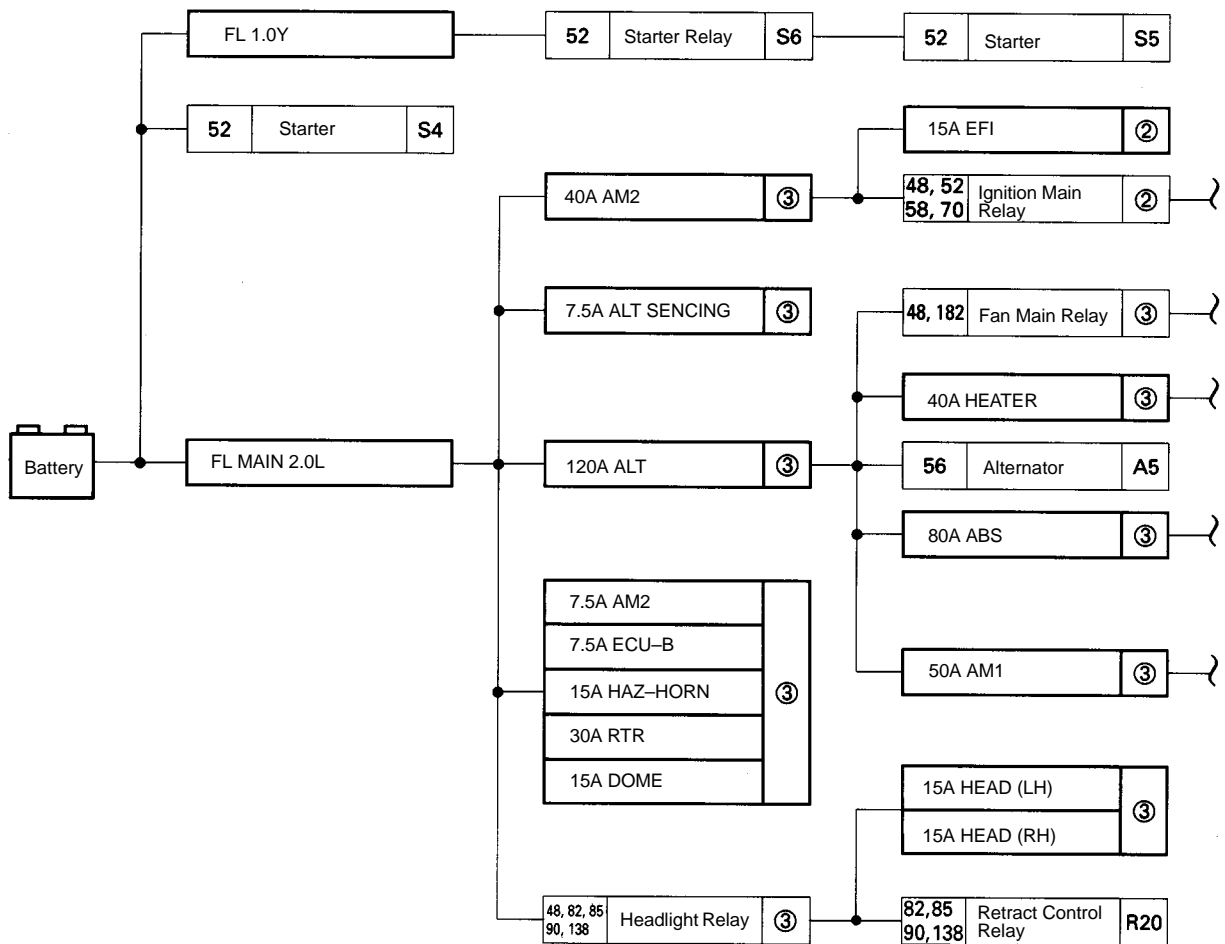


POWER SOURCE (Current Flow Chart)

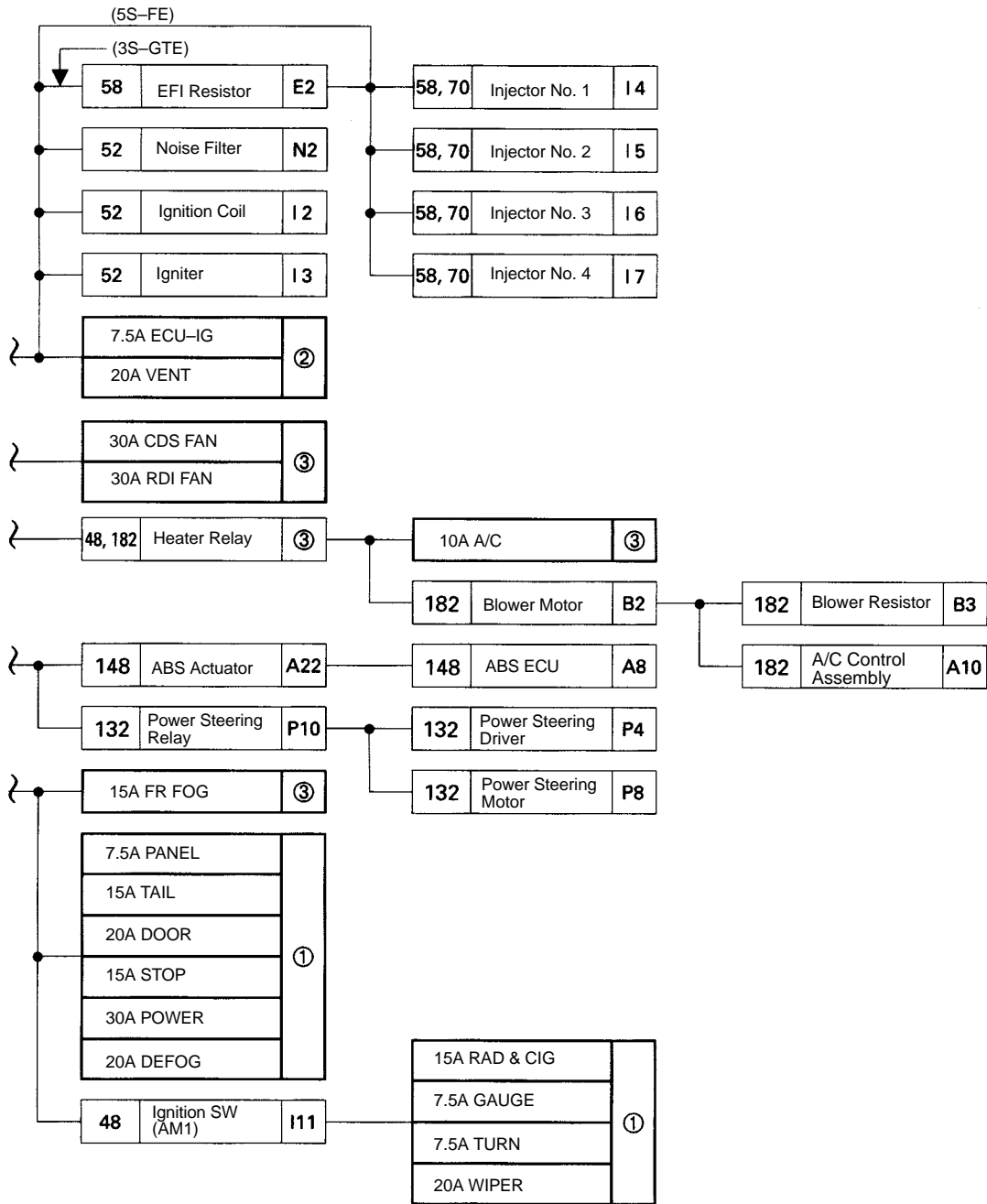
The chart below shows the route by which current flows from the battery to each electrical source (Fusible Link, Circuit Breaker, Fuse, etc.) and other parts.

The next page and following pages show the parts to which each electrical source outputs current.



* These are the page numbers of the first page on which the related system is shown. The part indicated is located somewhere in the system, not necessarily on the page indicated here.

[LOCATION] (1) : R/B No. 1 (See page 20) (2) : R/B No. 2 (See page 21) (3) : R/B No. 5 (See page 21)



POWER SOURCE (Current Flow Chart)

Location	*Page Nos. of Related Systems		182	56	148	182	97 100 144 182	182				97 100	182	168	108	176	58 70 125	52	80	166	97 100	166	
	Parts	Code or Location	A/C Magnetic Clutch	Alternator	ABS ECU	A/C Amplifier	A/C Control Assembly	A/C Dual Pressure SW	A/C Magnetic Clutch Relay	Air Inlet Servo Motor	Air Vent Mode Control Servo Motor	Ashtray Illumination	A/C Condenser Fan Motor	Auto Antenna Control Relay and Motor	Back-Up Light SW (M/T)	Brake Fluid Level SW	DLC (Check Connector)	Cold Start Injector	Cooling Fan ECU (for Engine Compartment)	Cooling Fan Motor (for Engine Compartment)	Cigarette Lighter	Cigarette Lighter Illumination	Clock
	CB or Fuse		A3	A5	A7	A9	A10	A12	A13	A15	A17	A18	A19	A25	A27	B1	B5	C1	C2	C3	C4	C6	C7
①	15A	TAIL					●	●				●										●	●
	15A	RAD & CIG												●								●	●
	7.5A	GAUGE			●	●	●				●	●					●						
	7.5A	TURN																					
	20A	WIPER																					
	20A	DEFOG																					
	15A	STOP			●																		
	20A	DOOR																					
	30A	POWER																					
7.5A	PANEL					●	●					●									●	●	
②	15A	EFI															●						
	20A	VENT																		●			
	7.5A	ECU-IG		●	●									●	●				●				
③	7.5A	ALT SENCING		●																			
	30A	CDS FAN											●										
	30A	RDI FAN																					
	15A	FR FOG																					
	15A	HEAD (LH)																					
	15A	HEAD (RH)																					
	10A	A/C	●			●	●	●	●	●													
	7.5A	ECU-B			●																		
	7.5A	AM2				●												●					
	15A	HAZ-HORN																					
	30A	RTR																					
	15A	DOME													●								●

* These are the page numbers of the first page on which the related system is shown.
The part indicated is located somewhere in the system, not necessarily on the page indicated here.

[LOCATION] (1) : R/B No. 1 (See page 20) (2) : R/B No. 2 (See page 21) (3) : R/B No. 5 (See page 21)

POWER SOURCE (Current Flow Chart)

Location	*Page Nos. of Related Systems		104				114		52 70 154	52 58 70	52 70	52 70 154	52 58 70	176	58	80 88 97 100	58 70	176	88 90	94				
	Parts		Door Courtesy Light RH	Door Courtesy SW LH	Door Courtesy SW RH	Door Key Cylinder Light	Door Lock Motor LH	Door Lock Motor RH	PCME (Engine and ECT ECU)	PCME (Engine ECU)	PCME (Engine ECU)	PCME (Engine and ECT ECU)	PCME (Engine ECU)	Engine Oil Level Sensor	Fuel Pump Resistor	Fuel Pump Relay	Fog Light SW	Fuel Pump	Fuel Sender	Fog Light LH	Fog Light RH	Front Side Marker Light LH	Front Side Marker Light RH	Front Clearance Light LH
	Code or Location		CB or Fuse	D9	D10	D11	D12	D16	D17	E6	E7	E8	E10	F1	F2	F3	F4	F5	F6	F7	F11	F12	F13	
①	15A	TAIL														●					●	●	●	
	15A	RAD & CIG																						
	7.5A	GAUGE											●					●						
	7.5A	TURN																						
	20A	WIPER																						
	20A	DEFOG																						
	15A	STOP							●	●														
	20A	DOOR					●	●																
	30A	POWER																						
	7.5A	PANEL															●							
②	15A	EFI							●	●	●	●	●		●	●		●						
	20A	VENT																						
	7.5A	ECU-IG							●			●												
③	7.5A	ALT SENCING																						
	30A	CDS FAN																						
	30A	RDI FAN																						
	15A	FR FOG															●			●	●			
	15A	HEAD (LH)																						
	15A	HEAD (RH)																						
	10A	A/C																						
	7.5A	ECU-B																						
	7.5A	AM2								●	●	●	●	●										
	15A	HAZ-HORN																						
	30A	RTR																						
	15A	DOME	●	●	●	●																		

* These are the page numbers of the first page on which the related system is shown.
The part indicated is located somewhere in the system, not necessarily on the page indicated here.

[LOCATION] (1) : R/B No. 1 (See page 20) (2) : R/B No. 2 (See page 21) (3) : R/B No. 5 (See page 21)

106	94	106	97 100 106	85 90	109	131	58 70	104	48 56 70 125 166	52 58 80 138 182	58 80 70	94	154	108	52 70 138	58	176	97 154	176	110	104	132 110				
Front Turn Signal Light LH	Front Clearance Light RH	Front Turn Signal Light RH	Hazard SW	Headlight LH	Headlight RH	High Mount Stop Light	Horn	IACV (ISC Valve)	Interior Light Control Relay	Ignition Key Cylinder Light	Ignition SW (AM2)	Junction Connector	Licence Plate Light	A/T Indicator SW	Back-Up Light SW (A/T)	PNS (Neutral Start SW)	HOSz (Oxygen Sensor)	Oil Pressure SW	O/D Main SW	Parking Brake SW	Power Main Relay	Personal Light	Power Steering Driver	Power Steering ECU	Power Window SW RH	Power Window Master SW and Door Lock Control SW
F13	F14		H1	H2	H3	H4	H5	H6	I1	I9	I10	I11	J1	L1	N1	O1	O3	O4	P1	P2	P3	P6	P7	P12	P13	
	●		●										●					●								
●		●	●									●					●	●	●	●		●	●			
			●			●															●			●	●	
									●								●								●	
															●										●	
●		●	●		●							●													●	
					●																					
					●																					

POWER SOURCE (Current Flow Chart)

Location	*Page Nos. of Related Systems		110		94	97	97	97	97	182	108	106	109	94	108	106	109	94	104	144	170	136			
	Parts		Power Window Motor LH		Power Window Motor RH	Panel Relay	Radio and Player		Rheostat	Radiator Fan Motor	Back-Up Light LH [Rear Comb. Light LH]	Rear Turn Signal Light LH [Rear Comb. Light LH]	Stop Light LH [Rear Comb. Light LH]	Tail and Rear Side Marker Light LH [Rear Comb. Light LH]	Back-Up Light RH [Rear Comb. Light RH]	Rear Turn Signal Light RH [Rear Comb. Light RH]	Stop Light RH [Rear Comb. Light RH]	Tail and Rear Side Marker Light RH [Rear Comb. Light RH]	Rear Luggage Compartment Door Courtesy SW	Rear Luggage Compartment Light	Rear Window Defogger	Rear Woofer Amplifier LH	Rear Woofer Amplifier RH	Remote Control Mirror LH	Remote Control Mirror RH
	Code or Location		P14		P15	P16	R1	R2	R4	R5	R6		R7		R8	R10	R13	R15	R24	R17	R18				
CB or Fuse		P14		P15	P16	R1	R2	R4	R5	R6		R7		R8	R10	R13	R15	R24	R17	R18					
①	15A	TAIL				●	●	●					●				●								
	15A	RAD & CIG					●																●	●	
	7.5A	GAUGE																							
	7.5A	TURN									●				●										
	20A	WIPER																							
	20A	DEFOG																			●				
	15A	STOP											●				●								
	20A	DOOR																							
	30A	POWER	●	●																					
	7.5A	PANEL			●	●	●	●	●																
②	15A	EFI																							
	20A	VENT																							
	7.5A	ECU-IG									●				●										
③	7.5A	ALT SENCING																							
	30A	CDS FAN							●																
	30A	RDI FAN							●																
	15A	FR FOG																							
	15A	HEAD (LH)																							
	15A	HEAD (RH)																							
	10A	A/C																							
	7.5A	ECU-B																							
	7.5A	AM2																							
	15A	HAZ-HORN														●									
	30A	RTR																							
	15A	DOME																		●	●		●	●	

* These are the page numbers of the first page on which the related system is shown.
The part indicated is located somewhere in the system, not necessarily on the page indicated here.

[LOCATION] (1) : R/B No. 1 (See page 20) (2) : R/B No. 2 (See page 21) (3) : R/B No. 5 (See page 21)

	136	82 88 94 100	85 90 97 138	82 94 100	85 90	160	52	52 138	146	119	58 146 154	109 148 160	97 100 170	138	106	138	58 70	70 182	70	58	176	122	182	122	144	45 82 90 94 99 100 138 166	
	R19	R20	R21	R22	R23	S1	S3	S6	S7	S8	S9	S10	S11	T1	T4	T5	V2	V3	V4	V5	V6	W1	W2	W3	W4	①	
Remote Control Mirror SW	●																										
Retract Control Relay		●																									
Retract Control Relay (Canada)			●																								
Retract Motor LH																											
Retract Motor RH																											
VSPG (Speed Sensor)							●																				
Start Injector Time SW																											
Starter Relay																											
Shift Lock ECU									●																		
Seat Belt Warning Relay										●																	
Stop Light SW											●																
Stereo Component Amplifier													●														
Theft Deterrent Horn																											
Turn Signal Flasher																											
Theft Deterrent ECU																●											
VSV (for EGR System)																	●										
VSV (for A/C Idle-Up System)																		●									
VSV (for Fuel Pressure Up Control System)																			●								
VSV (for Turbo Pressure Control System)																				●							
VSV (for T-VIS)																					●						
Water Temp. Sender																						●					
Washer Motor																							●				
Water Temp. Sender (for Radiator Fan)																								●			
Wiper Motor																											
Defogger Relay																											
Taillight Relay																											

POWER SOURCE (Current Flow Chart)

Location	CB or Fuse	Parts	Code or Location	*Page Nos. of Related Systems																	
				58 70	80	58 70 154	48 58 70	182			82 88 90	182	131 138								
				②		③															
①	15A	TAIL																			
	15A	RAD & CIG																		●	
	7.5A	GAUGE																			
	7.5A	TURN																			
	20A	WIPER																			
	20A	DEFOG																			
	15A	STOP																			
	20A	DOOR																			
	30A	POWER																			
	7.5A	PANEL																			
②	15A	EFI	●		●																
	20A	VENT		●																	
	7.5A	ECU-IG																			
③	7.5A	ALT SENCING																			
	30A	CDS FAN								●	●										
	30A	RDI FAN								●											
	15A	FR FOG																		●	
	15A	HEAD (LH)																		●	
	15A	HEAD (RH)																		●	
	10A	A/C																			
	7.5A	ECU-B																			
	7.5A	AM2				●	●	●	●												
	15A	HAZ-HORN																			●
	30A	RTR																			
	15A	DOME																			

* These are the page numbers of the first page on which the related system is shown.
The part indicated is located somewhere in the system, not necessarily on the page indicated here.

[LOCATION] (1) : R/B No. 1 (See page20) (2) : R/B No. 2 (See page21) (3) : R/B No. 5 (See page21)