

# FOREWORD

This manual contains maintenance and repair procedures for the 1988 MR 2.

Applicable model: AW11 series

The manual is divided into 21 sections and 5 appendixes with a thumb index for each section at the edge of the pages.

Please note that the publications below have also been prepared as relevant service manuals to the components and systems in this vehicle.

Manual Name	Pub. No.
● 1988 MR 2 Electrical Wiring Diagram Manual	EWDO35U
● TCCS (4A-GE) Diagnosis Manual	36903A
● ECT (A240E) Diagnosis Manual	DM010U
● MR 2 Collision Damaged Body Repair Manual	36440A
● 1988 model New Car Features	NCF024U

All information in this manual is based on the latest product information at the time of publication. However, specifications and procedures are subject to change without notice.

**TOYOTA MOTOR CORPORATION**

# 1988 TOYOTA MR 2 REPAIR MANUAL

INTRODUCTION	IN
MAINTENANCE	MA
ENGINE MECHANICAL	EM
SUPERCHARGER SYSTEM	SC
EMISSION CONTROL SYSTEMS	EC
EFI SYSTEM	FI
COOLING SYSTEM	CO
LUBRICATION SYSTEM	LU
IGNITION SYSTEM	IG
STARTING SYSTEM	ST
CHARGING SYSTEM	CH
CLUTCH	CL
MANUAL TRANSAXLE	MT
AUTOMATIC TRANSAXLE	AT
FRONT AXLE AND SUSPENSION	FA
REAR AXLE AND SUSPENSION	RA
BRAKE SYSTEM	BR
STEERING	SR
BODY ELECTRICAL SYSTEM	BE
BODY	BO
AIR CONDITIONING SYSTEM	AC
SERVICE SPECIFICATIONS	A
STANDARD BOLT TORQUE SPECIFICATIONS	B
SST AND SSM	C
AUTOMATIC TRANSMISSION HYDRAULIC CIRCUIT	D
ELECTRICAL WIRING DIAGRAMS	E

# INTRODUCTION

	Page
HOW TO USE THIS MANUAL .....	IN-2
IDENTIFICATION INFORMATION .....	IN-4
GENERAL REPAIR INSTRUCTIONS .....	IN-4
PRECAUTIONS FOR VEHICLES EQUIPPED WITH A CATALYTIC CONVERTER .....	IN-6
VEHICLE LIFT AND SUPPORT LOCATIONS .....	IN-7
ABBREVIATIONS USED IN THIS MANUAL .....	IN-8

**IN**

# HOW TO USE THIS MANUAL

To assist you in finding your way through the manual, the Section Title and major heading are given at the top of every page.

An **INDEX** is provided on the first page of each section to guide you to the item to be repaired.

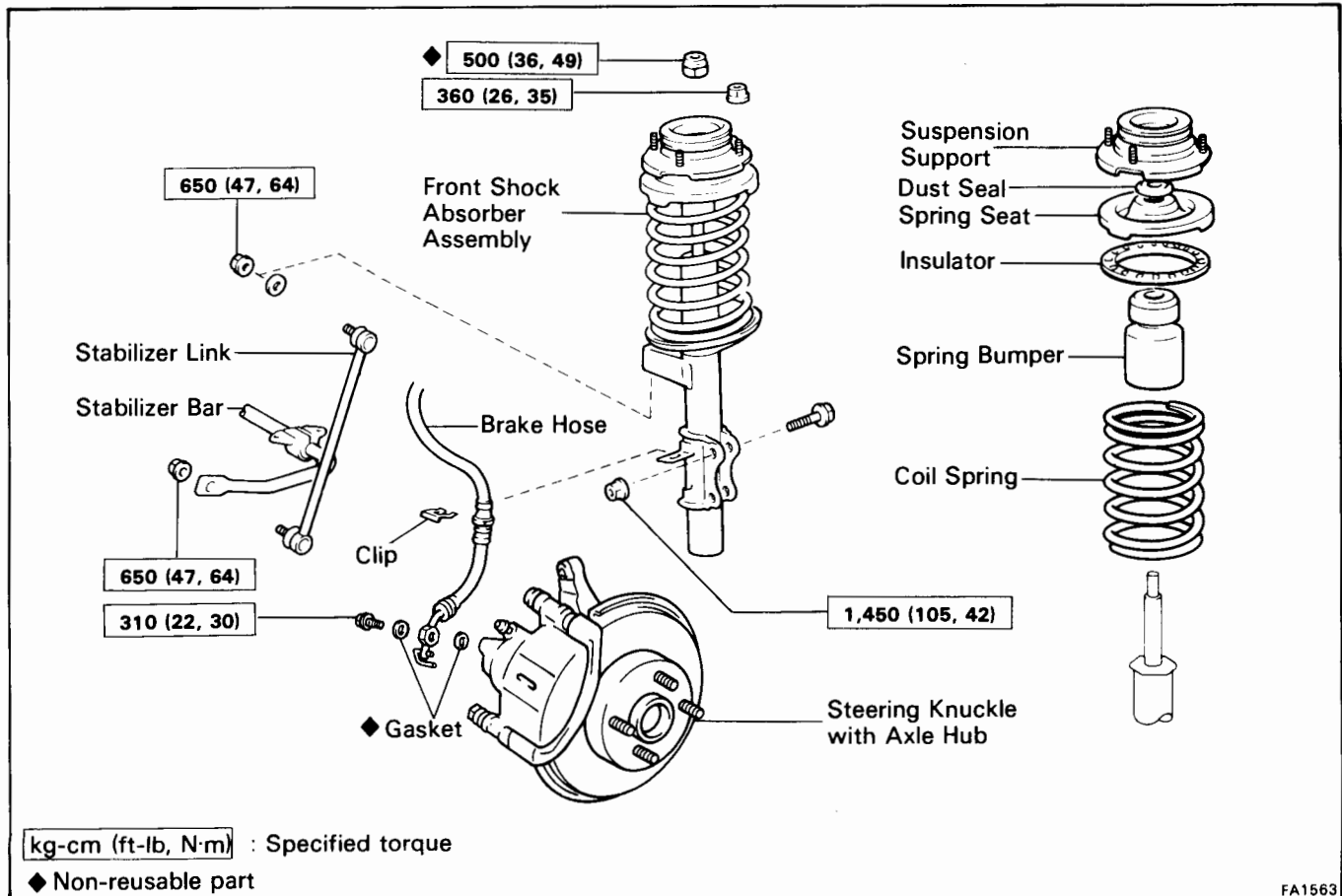
At the beginning of each section, **PRECAUTIONS** are given that pertain to *all* repair operations contained in that section. *Read these precautions before starting any repair task.*

**TROUBLESHOOTING** tables are included for each system to help you diagnose the system problem and find the cause. The repair for each possible cause is referenced in the remedy column to quickly lead you to the solution.

## REPAIR PROCEDURES

Most repair operations begin with an overview illustration. It identifies the components and shows how the parts fit together.

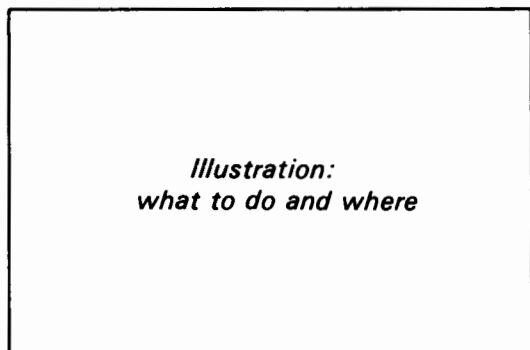
Example:



The procedures are presented in a step-by-step format:

- Illustration shows *what* to do and *where* to do it.
- The task heading tells *what* to do.
- The detailed text tells *how* to perform the task and gives other information such as specifications and warnings.

Example:



- Task heading: what to do*
- 21. CHECK PISTON STROKE OF OVERDRIVE BRAKE**
- (a) Place SST and a dial indicator onto the overdrive brake piston as shown in the figure.
- SST 09350-30020 (09350-06120)
- Set part No.*                      *Component part No.*
- Detail text: how to do it*
- (b) Measure the stroke applying and releasing the compressed air (4 – 8 kg/cm<sup>2</sup>, 57 – 114 psi or 392 – 785 kPa) as shown in the figure.
- Piston stroke: 1.40 – 1.70 mm (0.0551 – 0.0669 in.)**
- Specification*

This format provides the experienced technician with a FAST TRACK to the information needed. The upper case task heading can be read at a glance and only when necessary, the text below it provides detailed information. Important specifications and warnings always stand out in bold type.

## REFERENCES

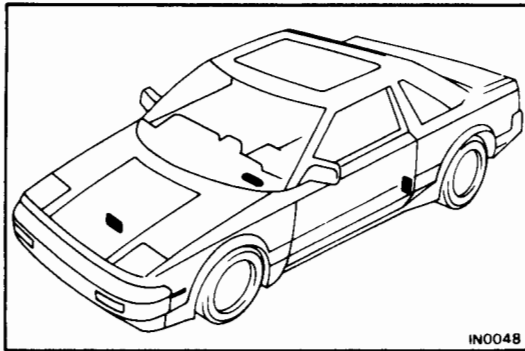
References have been kept to a minimum. However, when they are required you are given the page to go to.

## SPECIFICATIONS

Specifications are presented in bold type throughout the text in the applicable step. You never have to leave the procedure to look up your specs. All specifications are also found in Appendix A, Specifications, for quick reference.

## WARNINGS, CAUTIONS, NOTES:

- **WARNINGS** are presented in bold type, and indicate there is a possibility of injury to you or other people.
- **CAUTIONS** are also presented in bold type, and indicate the possibility of damage to the components being repaired.
- **NOTES** are separated from the text but do not appear in bold. They provide additional information to help you efficiently perform the repair.

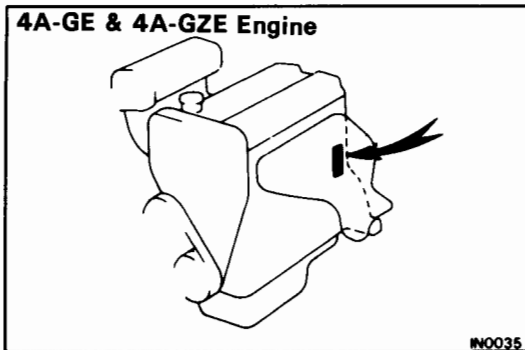


## IDENTIFICATION INFORMATION

### VEHICLE IDENTIFICATION NUMBER

The vehicle identification number is stamped on the front luggage end panel of the front luggage compartment.

This number is also stamped on top of the instrument panel and the driver's door.

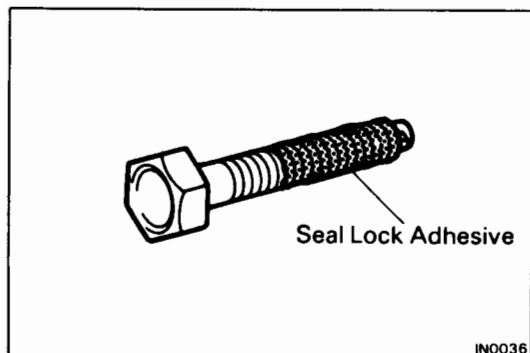


### ENGINE SERIAL NUMBER

The engine serial number is stamped on the cylinder block, as shown.

## GENERAL REPAIR INSTRUCTIONS

1. Use fender seat and floor covers to keep the vehicle clean and prevent damage.
2. During disassembly, keep parts in order to facilitate reassembly.
3. Observe the following:
  - (a) Before performing electrical work, disconnect the negative cable from the battery terminal.
  - (b) If it is necessary to disconnect the battery for inspection or repair, always disconnect the cable from the negative (-) terminal which is grounded to the vehicle body.
  - (c) To prevent damage to the battery terminal post, loosen the terminal nut and raise the cable straight up without twisting it or prying it.
  - (d) Clean the battery terminal posts and cable terminals with a shop rag. Do not scrape them with a file or other abrasive object.
  - (e) Install the cable terminal to the battery post with the nut loose, and tighten the nut after installation. Do not use a hammer or such to tap the terminal onto the post.
  - (f) Be sure the cover for the positive (+) terminal is properly in place.
4. Check hose and wiring connectors to make sure that they are secure and correct.
5. Non-reusable parts
  - (a) Always replace cotter pins, gaskets, O-rings and oil seals etc. with new ones.
  - (b) Non-reusable parts are indicated in the component illustrations by the "◆" symbol.

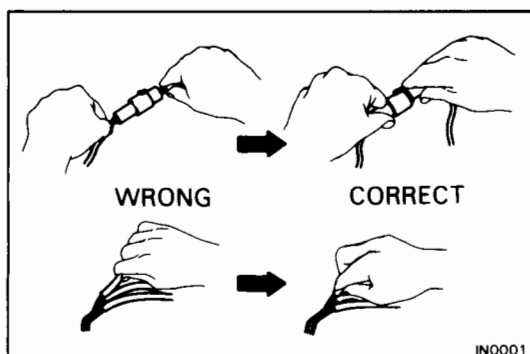


6. Precoated parts
 

Precoated parts are the bolts and nuts, which have been coated with a seal lock adhesive at the factory.

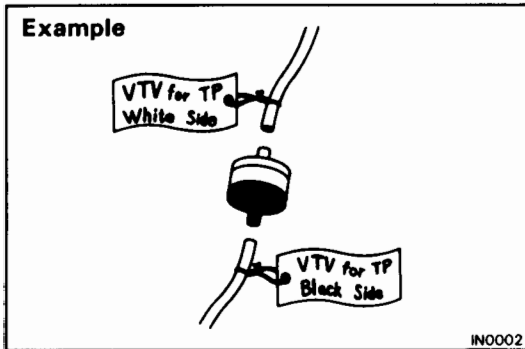
  - (a) If a precoated part is retightened, loosened or caused to move in any way, it must be recoated with the specified adhesive.
  - (b) Recoating of precoated parts
    - (1) Clean off the old adhesive from the bolt, nut or installation part threads.
    - (2) Dry with compressed air.
    - (3) Apply the specified seal lock adhesive to the bolt or nut threads.
  - (c) Precoated parts are indicated in the component illustrations by the "★" symbol.
7. When necessary, use a sealer on gaskets to prevent leaks.
8. Carefully observe all specifications for bolt tightening torques. Always use a torque wrench.
9. Use of special service tools (SST) and special service materials (SSM) may be required, depending on the nature of the repair. Be sure to use SST and SSM where specified and follow the proper work procedure. A list of SST and SSM can be found at the back of this manual.
10. When replacing fuses, be sure the new fuse has the correct amperage rating. DO NOT exceed the fuse amp rating or use one of a lower rating.
11. Care must be taken when jacking up and supporting the vehicle. Be sure to lift and support the vehicle at the proper locations (See page IN-7).
  - (a) If the vehicle is to be jacked up only at the front or rear end, be sure to block the wheels in order to ensure safety.
  - (b) After the vehicle is jacked up, be sure to support it on stands. It is extremely dangerous to do any work on the vehicle raised on jack alone, even for a small job that can be finished quickly.

12. Observe the following precautions to avoid damage to parts:



- (a) **Do not open the cover or the case of the ECU unless absolutely necessary. (If the IC terminals are touched, the IC may be destroyed by static electricity.)**
- (b) To disconnect vacuum hoses, pull on the end, not the middle of the hose.
- (c) To pull apart electrical connectors, pull on the connector itself, not the wires.
- (d) Be careful not to drop electrical components, such as sensors or relays. If they are dropped on a hard floor, they should be replaced and not reused.

- (e) When steam cleaning an engine, protect the distributor, coil and air filter from water.
- (f) Never use an impact wrench to remove or install thermo switches or thermo sensors.
- (g) When checking continuity at the wire connector, insert the tester probe carefully to prevent terminals from bending.
- (h) When using a vacuum gauge, never force the hose onto a connector that is too large. Use a step-down adapter instead. Once the hose has been stretched, it may leak.



13. Tag hoses before disconnecting them:
- (a) When disconnecting vacuum hoses, use tags to identify how they should be reconnected.
  - (b) After completing a job, double check that the vacuum hoses are properly connected. A label under the hood shows the proper layout.

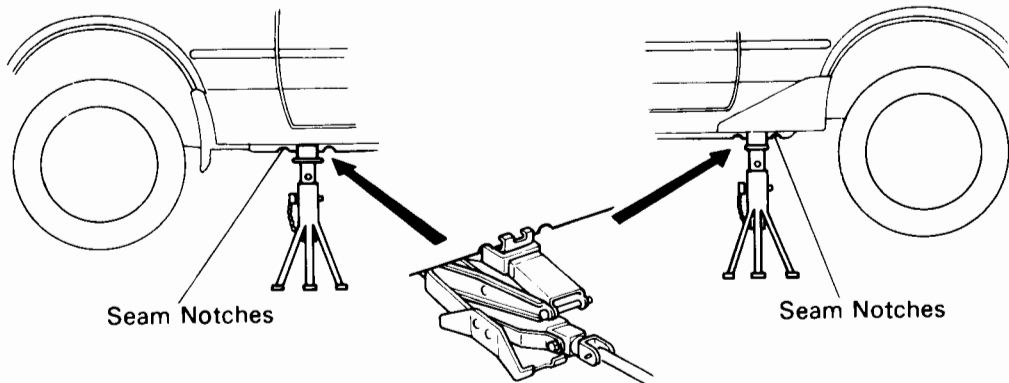
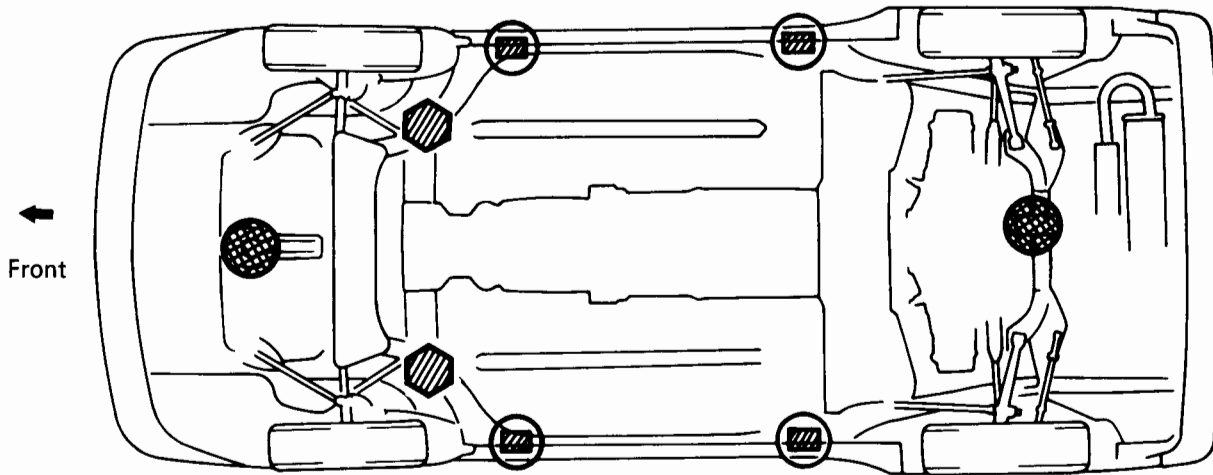
## PRECAUTIONS FOR VEHICLES EQUIPPED WITH A CATALYTIC CONVERTER

**WARNING:** If large amounts of unburned gasoline flow into the converter, it may overheat and create a fire hazard. To prevent this, observe the following precautions and explain them to your customer.

1. **Use only unleaded gasoline.**
2. **Avoid prolonged idling.**  
Avoid running the engine at idle speed for more than 20 minutes.
3. **Avoid spark jump test.**
  - (a) Spark jump test only when absolutely necessary. Perform this test as quickly as possible.
  - (b) While testing, never race the engine.
4. **Avoid prolonged engine compression measurement.**  
Engine compression tests must be made as quickly as possible.
5. **Do not run engine when fuel tank is nearly empty.**  
This may cause the engine to misfire and create an extra load on the converter.
6. **Avoid coasting with ignition turned off and prolonged braking.**
7. **Do not dispose of a used catalyst along with parts contaminated with gasoline or oil.**



# VEHICLE LIFT AND SUPPORT LOCATIONS



- JACK POSITION** ————— ●
- Front ..... Jack up support of front luggage pan
- Rear ..... Rear engine mounting
  
- PANTOGRAPH JACK POSITION** ————— ○
  
- SUPPORT POSITION**
- Safety stand ..... ▨

**NOTE:** If the arms of the swing arm lift cannot be positioned as shown by the rectangles above, position them under the floor pan reinforcements shown by the hexagons.

## ABBREVIATIONS USED IN THIS MANUAL

ABV	Air By-pass Valve
A/C	Air Conditioner
A/T, ATM	Automatic Transaxle
B <sub>1</sub>	Second Coast Brake
B <sub>2</sub>	Second Brake
B <sub>3</sub>	First and Reverse Brake
B <sub>4</sub>	Underdrive Brake
BTDC	Before Top Dead Center
BVSV	Bimetal Vacuum Switching Valve
C <sub>1</sub>	Forward Clutch
C <sub>2</sub>	Direct Clutch
C <sub>3</sub>	Underdrive Clutch
Calif.	Vehicles Sold in California
C/B	Circuit Breaker
DP	Dash Pot
ECT	Electronic Controlled Transaxle
ECU	Electronic Controlled Unit
EFI	Electronic Fuel Injection
EGR	Exhaust Gas Recirculation
ELR	Emergency Locking Retractor
ESA	Electronic Spark Advance
EVAP	Evaporative (Emission Control)
EX	Exhaust (Manifold, Valve)
Ex.	Except
F <sub>1</sub>	No. 1 One-way Clutch
F <sub>2</sub>	No. 2 One-way Clutch
F <sub>3</sub>	Underdrive One-way Clutch
FIPG	Formed in Place Gasket
FL	Fusible Link
FPU	Fuel Pressure Up
IG	Ignition
IN	Intake (Manifold, Valve)
ISC	Idle Speed Control
LH	Left-hand
Max.	Maximum
Min.	Minimum
MP	Multipurpose
M/T, MTM	Manual Transaxle
N	Neutral
O/D	Overdrive
O/S	Oversize
PCV	Positive Crankcase Ventilation
PS	Power Steering
RH	Right-hand
SSM	Special Service Materials
SST	Special Service Tools
STD	Standard
S/W	Switch
TCCS	TOYOTA Computer Controlled System
TDC	Top Dead Center
TWC	Three-way Catalyst
UD	Underdrive
U/S	Undersize
VSV	Vacuum Switching Valve
VTV	Vacuum Transmitting Valve
w/	With
w/o	Without

# MAINTENANCE

	<b>Page</b>
<b>MAINTENANCE SCHEDULE</b> .....	<b>MA-2</b>
<b>MAINTENANCE OPERATIONS</b> .....	<b>MA-4</b>
<b>GENERAL MAINTENANCE</b> .....	<b>MA-12</b>

**MA**

## **GENERAL NOTES:**

- Every service item in the periodic maintenance list must be performed.
- Failure to do even one item can cause the engine to run poorly and increase exhaust emissions.

# MAINTENANCE SCHEDULE

Maintenance operations: A = Check and adjust if necessary;  
 R = Replace, change or lubricate;  
 I = Inspect and correct or replace if necessary

## NORMAL CONDITION SCHEDULE

System	Service interval (Odometer reading or months, whichever comes first)	Maintenance services beyond 60,000 miles (96,000 km) should be performed at the same intervals shown in each maintenance schedule.						See page (item No.)	
		Miles x 1,000	10	20	30	40	50		60
	Maintenance items	Km x 1,000	16	32	48	64	80		96
		Months	12	24	36	48	60		72
ENGINE	Valve clearance							A	MA-7 (item 13)
	Drive belts <sup>(1)</sup>							I	MA-4 (item 2)
	Engine oil and oil filter ★		R	R	R	R	R	R	MA-5 (item 6)
	Supercharger oil ★	4A-GZE			I			I	MA-5 (item 7)
	Engine coolant <sup>(2)</sup>							R	MA-6 (item 8)
	Exhaust pipes and mountings				I			I	MA-7 (item 12)
FUEL	Idle speed <sup>(3)</sup>	4A-GE	A		A			A	MA-7 (item 14)
	Air filter ★				R			R	MA-5 (item 5)
	Fuel line and connections				I			I	MA-7 (item 11)
	Fuel tank cap gasket							R	MA-6 (item 10)
IGNITION	Spark plugs							R	MA-4 (item 3)
EVAP	Charcoal canister							I	MA-6 (item 9)
BRAKES	Brake pads and discs			I		I		I	MA-8 (item 16)
	Brake line pipes and hoses			I		I		I	MA-8 (item 15)
CHASSIS	Steering linkage			I		I		I	MA-8 (item 17)
	Ball joints			I		I		I	MA-9 (item 19)
	Automatic transaxle, manual transaxle, differential and steering gear housing oil <sup>(4)</sup>			I		I		I	MA-9 (item 20) MA-9 (item 18)
	Bolts and nuts on chassis and body			I		I		I	MA-11 (item 23)

For vehicles sold in California, maintenance services indicated by a star (★) is required under the terms of the Emission Control Systems Warranty. See Owner's Guide or Warranty Booklet for complete warranty information.

### NOTE:

- (1) After 60,000 miles (96,000 km) or 72 months, inspect every 10,000 miles (16,000 km) or 12 months.
- (2) After 60,000 miles (96,000 km) or 72 months, replace every 30,000 miles (48,000 km) or 36 months.
- (3) After 60,000 miles (96,000 km) or 72 months, adjust every 30,000 miles (48,000 km) or 36 months.
- (4) Inspect the steering gear housing for oil leakage only.

Follow the severe condition schedule if vehicle is operated mainly under one or more of the following severe conditions:

- Towing a trailer, using a camper or car top carrier.
- Repeat short trips less than 5 miles (8 km) and outside temperatures remain below freezing.
- Extensive idling and/or low speed driving for a long distance such as police, taxi or door-to-door delivery use.
- Operating on dusty, rough, muddy or salt spread roads.

### SEVERE CONDITION SCHEDULE

System	Service interval (Odometer reading or months, whichever comes first)	Maintenance services beyond 60,000 miles (96,000 km) should be performed at the same intervals shown in each maintenance schedule.														See page (item No.)
		Miles x 1,000	5	10	15	20	25	30	35	40	45	50	55	60		
		Km x 1,000	8	16	24	32	40	48	56	64	72	80	88	96		
		Months	6	12	18	24	30	36	42	48	54	60	66	72		
ENGINE	Timing belt	R (1)														MA-4 (item 1)
	Valve clearance														A	MA-7 (item 13)
	Drive belts <sup>(2)</sup>														I	MA-4 (item 2)
	Engine oil and oil filter ★	R	R	R	R	R	R	R	R	R	R	R	R	R	R	MA-5 (item 6)
	Supercharger oil ★	4A-GZE							I						I	MA-5 (item 7)
	Engine coolant <sup>(3)</sup>														R	MA-6 (item 8)
	Exhaust pipes and mountings				I				I				I		I	MA-7 (item 12)
FUEL	Idle speed <sup>(4)</sup>	4A-GE							A						A	MA-7 (item 14)
	Air filter ★ <sup>(5)</sup>		I	I	I	I	I	I	R	I	I	I	I	I	R	MA-5 (item 4, 5)
	Fuel line and connections								I						I	MA-7 (item 11)
	Fuel tank cap gasket														R	MA-6 (item 10)
IGNITION	Spark plugs														R	MA-4 (item 3)
EVAP	Charcoal canister														I	MA-6 (item 9)
BRAKES	Brake pads and discs			I		I			I			I			I	MA-8 (item 16)
	Brake line pipes and hoses					I						I			I	MA-8 (item 15)
CHASSIS	Steering linkage			I		I			I			I			I	MA-8 (item 17)
	Ball joints			I		I			I			I			I	MA-9 (item 19)
	Automatic transaxle, manual transaxle, differential and steering gear housing oil <sup>(7)</sup>						R					R			R	MA-9, 10 (item 21 or 22) MA-9 (item 18)
	Bolts and nuts on chassis and body <sup>(6)</sup>			I		I			I			I			I	MA-11 (item 23)

For vehicles sold in California, maintenance services indicated by a star (★) is required under the terms of the Emission Control Systems Warranty. See Owner's Guide for complete warranty information.

**NOTE:**

- (1) For the vehicles frequently idled for extensive periods and/or driven for long distance at low speeds such as taxi, police and door-to-door delivery, it is recommended to change at 60,000 miles (96,000 km).
- (2) After 60,000 miles (96,000 km) or 72 months, inspect every 10,000 miles (16,000 km) or 12 months.
- (3) After 60,000 miles (96,000 km) or 72 months, replace every 30,000 miles (48,000 km) or 36 months.
- (4) After 60,000 miles (96,000 km) or 72 months, adjust every 30,000 miles (48,000 km) or 36 months.
- (5) Applicable when operating mainly on dusty roads. If not, follow the normal condition schedule.
- (6) Applicable when operating mainly on rough and/or muddy roads. If not, follow the normal condition schedule.
- (7) Inspect the steering gear housing for oil leakage only.

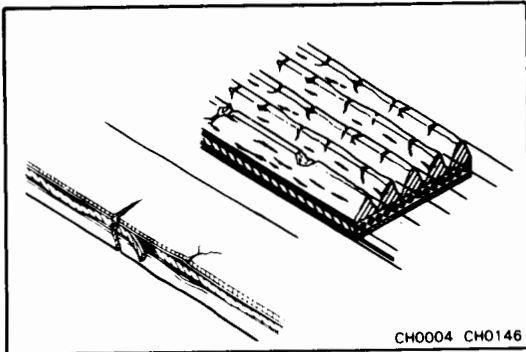
# MAINTENANCE OPERATIONS

## ENGINE

### Cold Engine Operations

#### 1. REPLACE TIMING BELT

- (a) Remove the timing belt.  
(See pages EM-15 to 17)
- (b) Install the timing belt.  
(See pages EM-22 to 25)



#### 2. INSPECT DRIVE BELTS

- (a) Visually check the belt for separation of the adhesive rubber above and below the core, core separation from the belt side, severed core, separation of the rib from the adhesive rubber, cracking or separation of the ribs, torn or worn ribs or cracks in the inner ridges of the ribs.

If necessary, replace the drive belt.

- (b) Using a belt tension gauge, check the drive belt tension.

Belt tension gauge:

Nippondenso BTG-20 (95506-00020) or  
Borroughs No. BT-33-73F

Drive belt tension:

#### 4A-GE

Alternator	New belt	175 ± 5 lb
	Used belt	115 ± 20 lb
Air con.	New belt	160 ± 20 lb
	Used belt	105 ± 10 lb

#### 4A-GZE

Alternator			
w/	Air con.	New belt	165 ± 10 lb
		Used belt	85 ± 15 lb
w/o	Air con.	New belt	175 ± 5 lb
		Used belt	115 ± 20 lb
Supercharger		New belt	175 ± 5 lb
		Used belt	115 ± 20 lb

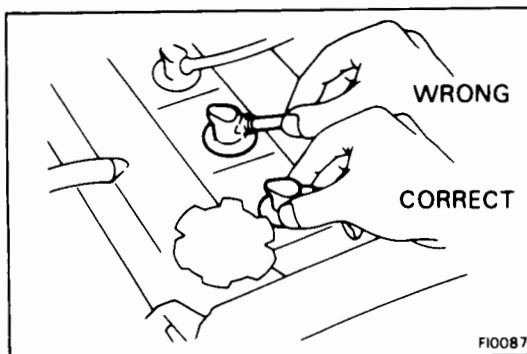
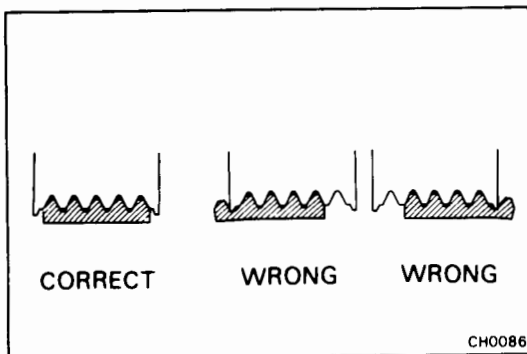
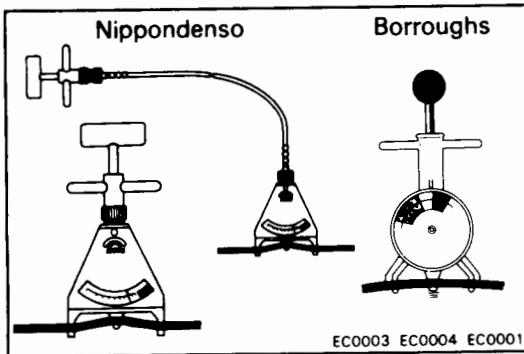
If necessary, adjust the drive belt tension.

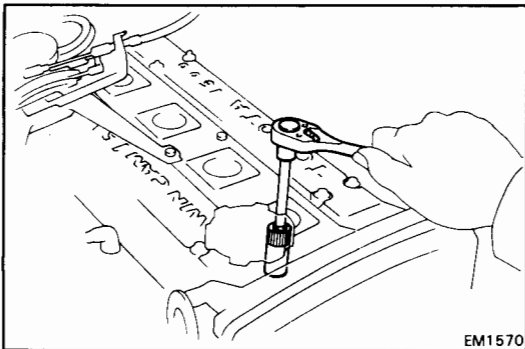
NOTE:

- "New belt" refers to a belt which has been used less than 5 minutes on a running engine.
- "Used belt" refers to a belt which has been used on a running engine for 5 minutes or more.
- After replacing the drive belt, check that it fits properly in the ribbed grooves, especially in the places difficult to see.
- After installing a new belt, run the engine for about 5 minutes and then recheck the tension.

#### 3. REPLACE SPARK PLUGS

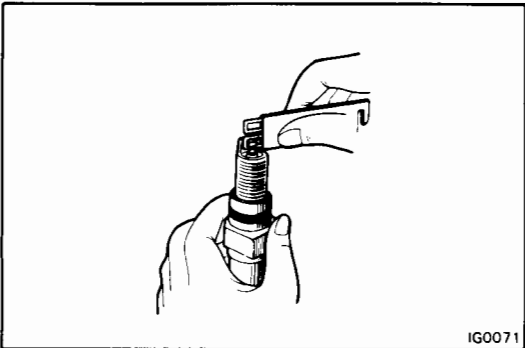
- (a) Disconnect the spark plug cords at the boot.  
DO NOT pull on the cords.





EM1570

(b) Using plug wrench (16 mm), remove the spark plugs.



IG0071

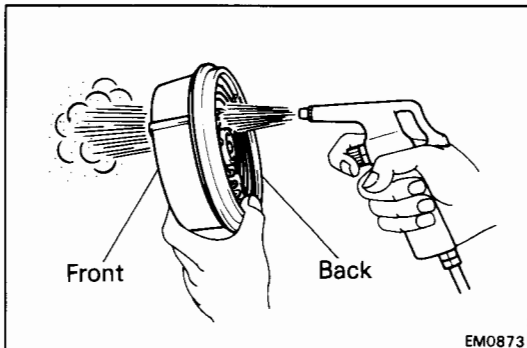
(c) Check the electrode gap of new spark plugs.

**Correct electrode gap: 1.1 mm (0.043 in.)**

**Recommended spark plugs:**

<b>4A-GE</b>	<b>ND</b>	<b>PQ16R</b>
		<b>NGK BCPR5EP11</b>
<b>4A-GZE</b>	<b>ND</b>	<b>PQ20R</b>
		<b>NGK BCPR6EP11</b>

**NOTE:** If adjusting the gap of a new plug, bend only the base of the ground electrode. Do not touch the tip. Never attempt to adjust the gap on a used plug.



EM0873

#### 4. INSPECT AIR FILTER

- (a) Visually check that the air cleaner element is not excessively dirty, damaged or oily.
- (b) Clean the element with compressed air. First blow from back side thoroughly. Then blow off the front side of the element.

#### 5. REPLACE AIR FILTER

Replace the air cleaner element with a new one.

#### 6. REPLACE ENGINE OIL AND FILTER

(See page LU-4)

**Oil grade: API grade SF or SF/CC, multigrade viscosity and fuel-efficient oil**

**Engine oil capacity:**

**Drain and refill with oil filter change**

**w/o Oil cooler**

**3.3 liters (3.5 US qts, 2.9 Imp. qts)**

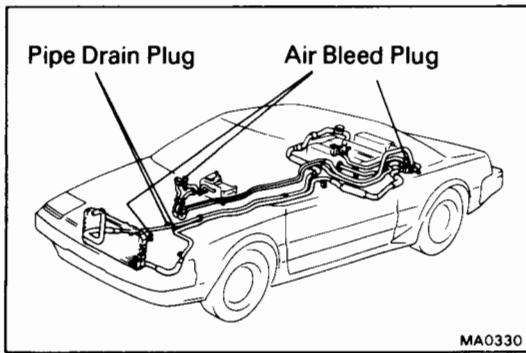
**w/ Oil cooler**

**3.4 liters (3.6 US qts, 3.0 Imp. qts)**

#### 7. INSPECT SUPERCHARGER OIL LEVEL

(See page SC-3)

**Supercharger oil: Part No. 08885-80108 or equivalent**



**8. REPLACE ENGINE COOLANT  
(See page CO-3)**

- (a) Open the air bleed plugs.
- (b) Drain the coolant from the radiator, engine and pipe drain plugs.  
(Engine drain is on the left next to the oil filter.)
- (c) Close the drain plugs.
- (d) Fill system with coolant.
- (e) Close the air bleed plugs.

**Coolant capacity:**

**M/T**

**With heater**

**12.2 liters (12.9 US qts, 10.7 Imp. qts)**

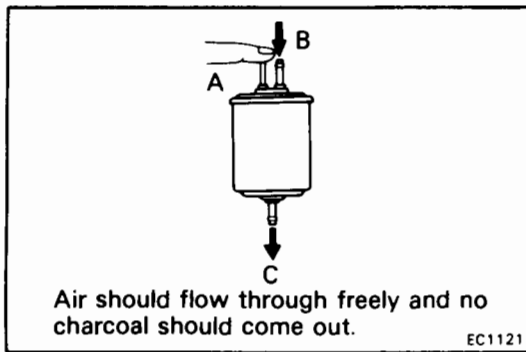
**Others**

**12.4 liters (13.1 US qts, 10.9 Imp. qts)**

**A/T**

**12.9 liters (13.6 US qts, 11.4 Imp. qts)**

Use a good brand of ethylene-glycol base coolant, mixed according to the manufacturer's instructions.



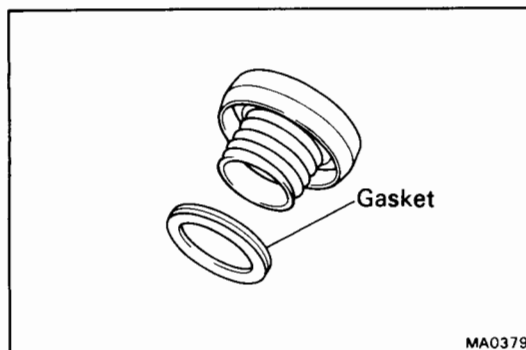
**9. INSPECT CHARCOAL CANISTER**

- (a) Disconnect the hoses to the charcoal canister located below the air intake chamber. Label the hoses for correct installation.
- (b) Plug pipe A with your finger and blow compressed air (3 kg/cm<sup>2</sup>, 43 psi or 294 kPa) through pipe B (fuel tank side).
  - Check that air comes out of the bottom pipe C without resistance.
  - Check that no activated charcoal comes out.

If necessary, replace the charcoal canister.

**NOTE:** Do not attempt to wash the charcoal.

- (c) Connect the hoses to the charcoal canister.



**10. REPLACE GASKET IN FUEL TANK CAP**

- (a) Remove the old gasket (O-ring) from the fuel tank cap. Do not damage the cap.
- (b) Install the new gasket by hand.
- (c) Inspect the cap for damage or cracks.
- (d) Install the cap and check the torque limiter.



**11. INSPECT FUEL LINES AND CONNECTIONS**

Visually inspect the fuel lines for cracks, leakage, loose connections, deformation or tank band looseness.

**12. INSPECT EXHAUST PIPE AND MOUNTINGS**

Visually inspect the pipes, hangers and connections for severe corrosion, leaks or damage.

**13. ADJUST VALVE CLEARANCE**

NOTE: Check and adjust the valve clearance while the engine is cold.

- (a) Remove the valve covers.
- (b) Measure and adjust valve clearance.  
(See step 3 on page EM-7)

**Valve clearance (cold):**

**Intake** 0.15 – 0.25 mm (0.006 – 0.010 in.)  
**Exhaust** 0.20 – 0.30 mm (0.008 – 0.012 in.)

- (c) Reinstall the valve covers.

**Hot Engine Operations**

**14. 4A-GE ENGINE ONLY:  
ADJUST IDLE SPEED**

- (a) Preparation
  - Air cleaner installed
  - All pipes and hoses of air intake system connected
  - All vacuum lines connected (i.e., EVAP, EGR systems, etc.)
  - EFI system wiring connectors fully plugged
  - Engine at normal operating temperature
  - Accessories switched off
  - Transmission in "N" range
- (b) Connect a tachometer to the engine.  
(See page IG-2)

**CAUTION:**

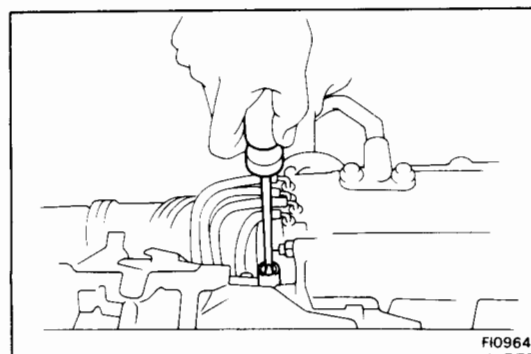
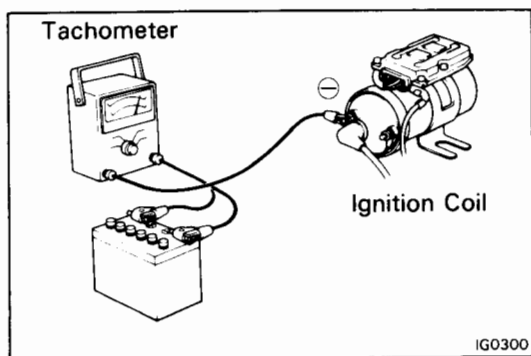
- NEVER allow the tachometer terminal to touch ground as it could result in damage to the igniter and/or ignition coil.
- As some tachometers are not compatible with this ignition system, we recommend that you confirm the compatibility of your unit before using.

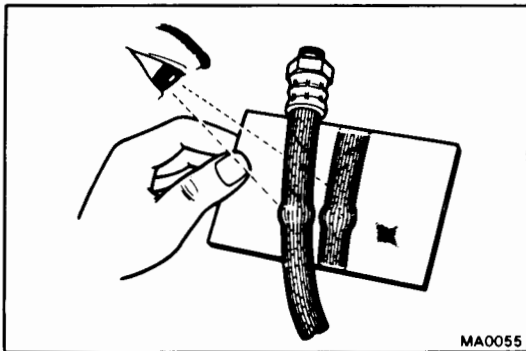
- (c) Race the engine at 2,500 rpm for about 2 minutes.
- (d) Set the idle speed by turning the IDLE SPEED ADJUSTING SCREW.

**Idle speed: 800 rpm**

- (e) Remove the tachometer.

NOTE: Make adjustments with the engine cooling fan off.



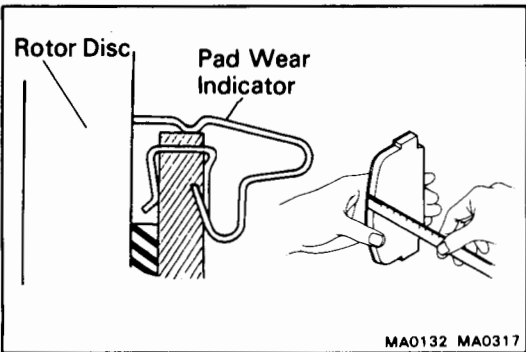
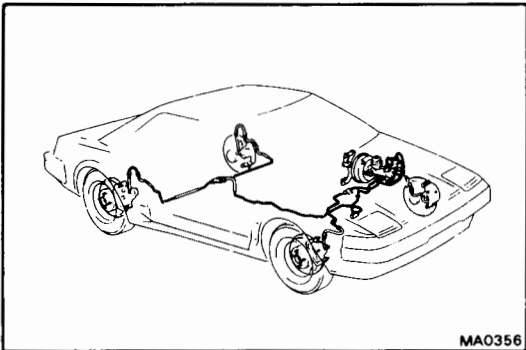


**BRAKES**

**15. INSPECT BRAKE LINE PIPES AND HOSES**

**NOTE:** Inspect in a well lighted area. Inspect the entire circumference and length of the brake hoses using a mirror as required. Turn the front wheels fully right or left before inspecting the front brake.

- (a) Check all brake lines and hoses for:
  - Damage
  - Wear
  - Deformation
  - Cracks
  - Corrosion
  - Leaks
  - Bends
  - Twists
- (b) Check all clamps for tightness and connections for leakage.
- (c) Check that the hoses and lines are clear of sharp edges, moving parts and the exhaust system.
- (d) Check that the lines installed in grommets, pass through the center of the grommets.



**16. INSPECT FRONT AND REAR BRAKE PADS AND DISCS (Front: See page BR-23, Rear: See page BR-33)**

- (a) Check the thickness of the disc brake pads and check for irregular wear.

**Minimum pad thickness:**

- Front 3.0 mm (0.118 in.)**
- Rear 1.0 mm (0.039 in.)**

**NOTE:** If a squealing or scraping noise occurs from the front or rear brakes during driving, check the pad wear indicator. If there are traces of the indicator contacting the disc rotor, the disc pad should be replaced.

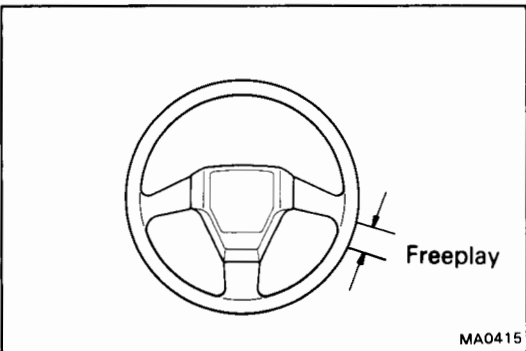
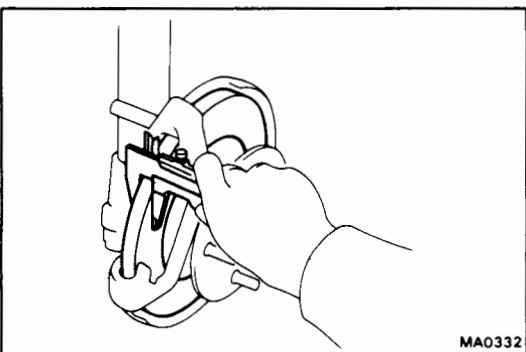
- (b) Check the disc for wear or runout.

**Minimum disc thickness:**

- Front 21.0 mm (0.827 in.)**
- Rear 9.0 mm (0.354 in.)**

**Maximum disc runout:**

- Front 0.13 mm (0.0051 in.)**
- Rear 0.15 mm (0.0059 in.)**



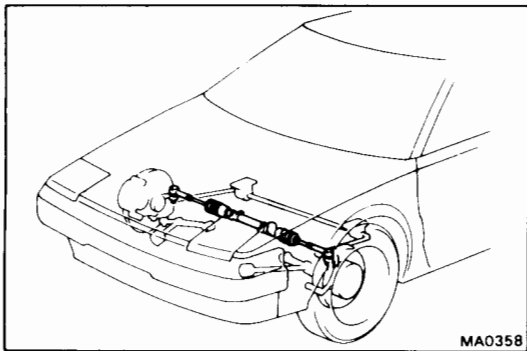
**CHASSIS**

**17. INSPECT STEERING LINKAGE**

- (a) Check the steering wheel freeplay.

**Maximum steering wheel freeplay: 30 mm (1.18 in.)**

With the vehicle stopped and pointed straight ahead, rock the steering wheel gently back and forth with light finger pressure.



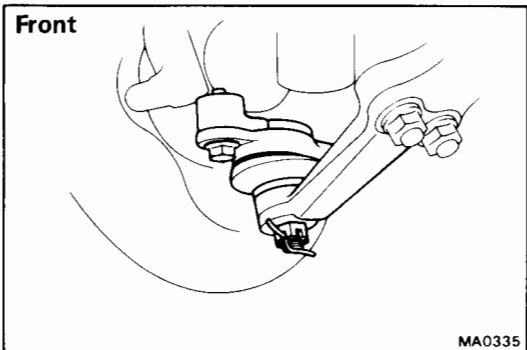
- (b) Check the steering linkage for looseness and damage.

Check that:

- Tie rod ends do not have excessive play.
- Dust seals and boots are not damaged.
- Boot clamps are not loose.

**18. INSPECT STEERING GEAR HOUSING OIL**

Check the steering gear housing for oil leakage.



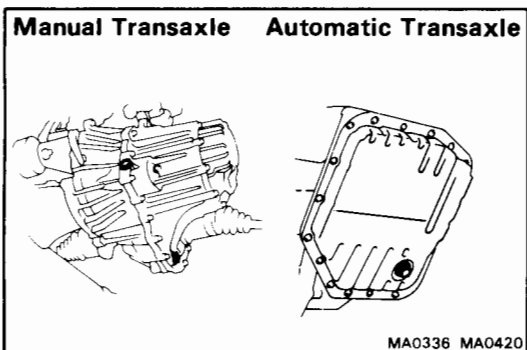
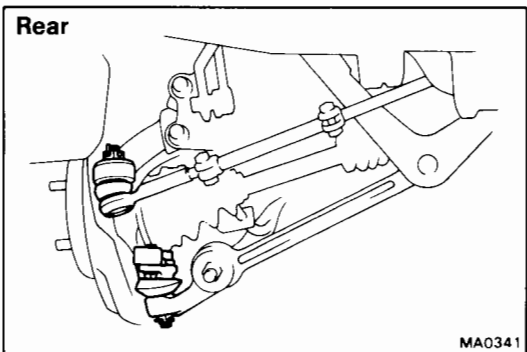
**19. INSPECT BALL JOINTS AND DUST COVERS**

- (a) Inspect the ball joints for excessive looseness.  
(Front: See page FA-20, Rear: See pages RA-35)

**Maximum ball joint vertical play: 0 mm (0 in.)**

If excessive play is found, replace the ball joints.

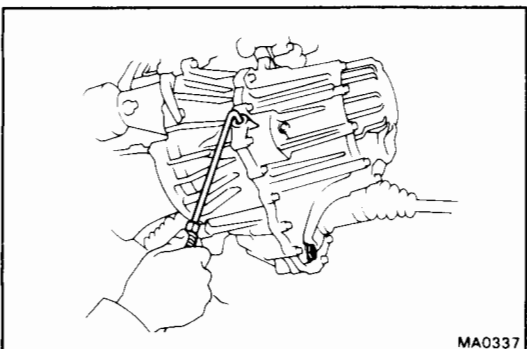
- (b) Inspect the dust cover for damage.



**20. CHECK TRANSAXLE (A/T OR M/T) AND DIFFERENTIAL OIL**

Visually check the transaxle (A/T or M/T) and differential for oil leakage.

If leakage is found, check for the cause and repair.



**21. REPLACE MANUAL TRANSAXLE (TRANSMISSION AND DIFFERENTIAL) OIL**

- (a) Remove the drain plug and drain the oil.  
(b) Reinstall drain plug securely.  
(c) Add new oil until it begins to run out of the filler hole.

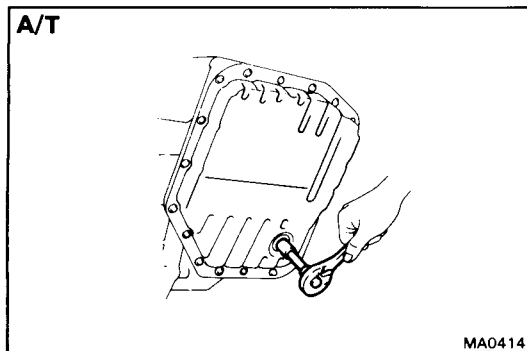
**Transaxle oil (M/T and differential):**

**Oil grade** API GL-4 or 5

**Viscosity** SAE 75W-90 or 80W-90

**Capacity**

<b>C52/4A-GE</b>	<b>2.6 liters</b> <b>(2.7 US qts, 2.3 Imp. qts)</b>
<b>E51/4A-GZE</b>	<b>4.2 liters</b> <b>(4.4 US qts, 3.7 Imp. qts)</b>



## 22. REPLACE AUTOMATIC TRANSAXLE (TRANSMISSION AND DIFFERENTIAL) FLUID

- (a) Remove the drain plug and drain the fluid.
- (b) Reinstall the drain plug securely.
- (c) With the engine OFF, add new fluid through the dipstick tube.

### Transaxle fluid (A/T and differential):

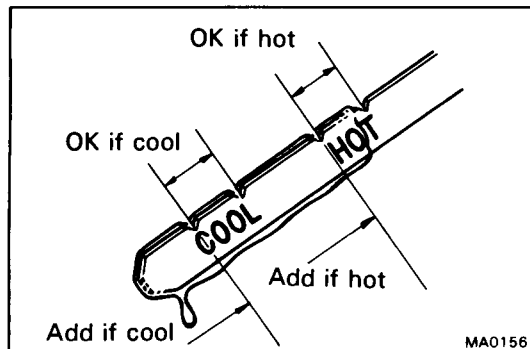
Fluid ATF DEXRON® II

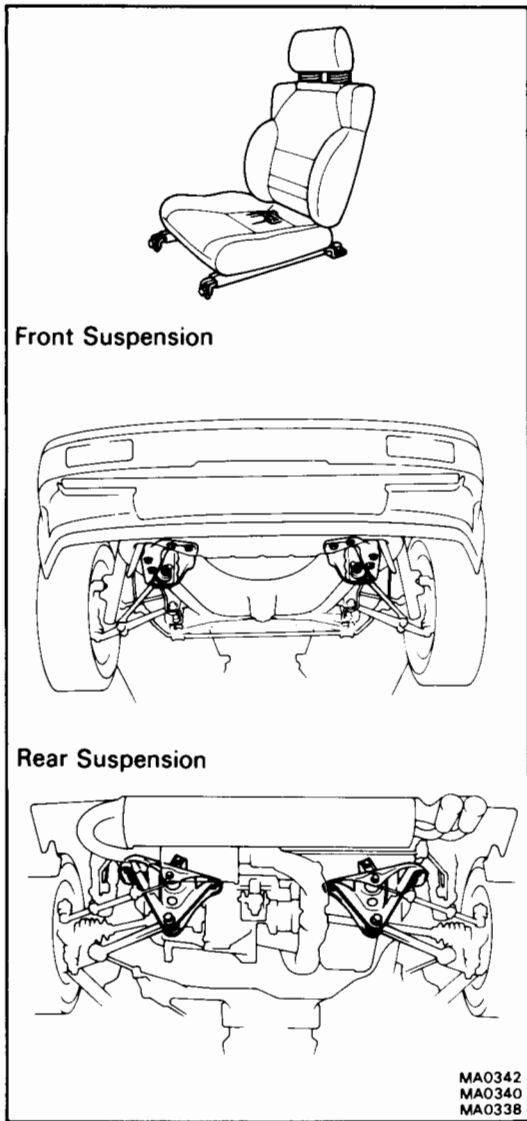
Capacity (Drain and refill) (Reference)

3.1 liters (3.3 US qts, 2.7 Imp. qts)

- (d) Start the engine and shift the selector into all positions from "P" through "L", and then shift into "P".
- (e) With the engine idling, check the fluid level. Add fluid up to the "COOL" level on the dipstick.

**CAUTION:** Do not overfill.





Front Suspension

Rear Suspension

**23. TIGHTEN BOLTS AND NUTS ON CHASSIS AND BODY**

Tighten the following parts:

- Front seats mounting bolts  
Torque: **375 kg-cm (27 ft-lb, 37 N·m)**
- Front strut bar bracket-to-body mounting bolts  
Torque: **590 kg-cm (43 ft-lb, 58 N·m)**
- Rear suspension arm bracket-to-body mounting bolts  
Torque: **590 kg-cm (43 ft-lb, 58 N·m)**

**24. FINAL INSPECTION**

- (a) Check operation of the body parts:
  - Hood (front and engine)  
Catch operates properly  
Hood locks securely when closed
  - Doors  
Door locks operate properly  
Doors close properly
  - Luggage compartment door  
Door lock operates properly
  - Seats  
Seat adjust easily and locks securely in any position  
Front seat back locks securely in any position
- (b) Road test
  - Check the engine and chassis for abnormal noise.
  - Check that the vehicle does not wander or pull to one side.
  - Check that the brakes work properly and do not drag.
- (c) Be sure to deliver a clean car and especially check:
  - Steering wheel
  - Shift lever knob
  - All switch knobs
  - Door handles
  - Seats

## GENERAL MAINTENANCE

These are the maintenance and inspection items which are considered to be the owner's responsibility. They can be performed by the owner or he can have them done at a service shop. These items include those which should be checked on a daily basis, those which, in most cases, do not require (special) tools and those which are considered to be reasonable for the owner to perform.

Items and procedures for general maintenance are as follows.

### OUTSIDE VEHICLE

#### 1. TIRES

- (a) Check the pressure with a gauge. If necessary, adjust.
- (b) Check for cuts, damage or excessive wear.

#### 2. WHEEL NUTS

When checking the tires, check the nuts for looseness or for missing nuts. If necessary, tighten them.

#### 3. TIRE ROTATION

It is recommended that the tires be rotated every 7,500 miles (12,000 km).

#### 4. WINDSHIELD WIPER BLADES

Check for wear or cracks whenever they do not wipe clean. Replace if necessary.

#### 5. FLUID LEAKS

- (a) Check underneath for leaking fuel, oil, water or other fluid.
- (b) If you smell gasoline fumes or notice any leak, have the cause found and corrected.

#### 6. DOORS AND HOODS

- (a) Check that all doors and hoods including the trunk lid operate smoothly, and that all latches lock securely.
- (b) Check that the front hood secondary latch secures the hood from opening when the primary latch is released.

### INSIDE VEHICLE

#### 7. LIGHTS

Check that the headlights, stop lights, taillights, turn signal lights, and other lights are all working.

#### 8. WARNING LIGHTS AND BUZZERS

Check that all warning lights and buzzers function properly.

#### 9. HORN

Check that it is working.

#### 10. WINDSHIELD GLASS

Check for scratches, pits or abrasions.

#### 11. WINDSHIELD WIPER AND WASHER

- (a) Check operation of the wipers and washer.
- (b) Check that the wipers do not streak.

#### 12. WINDSHIELD DEFROSTER

Check that air comes out from the defroster outlet when operating the heater or air conditioner.

#### 13. REAR VIEW MIRROR

Check that it is mounted securely.

#### 14. SUN VISORS

Check that they move freely and are mounted securely.

#### 15. STEERING WHEEL

Check that it has specified freeplay. Be alert for changes in steering condition, such as hard steering, excessive freeplay or strange noise.

#### 16. SEATS

- (a) Check that all front seat controls such as seat adjusters, seatback recliner, etc. operate smoothly.
- (b) Check that all latches lock securely in any position.
- (c) Check that the locks hold securely in any latched position.
- (d) Check that the head restraints move up and down smoothly and that the locks hold securely in any latched position.

**17. SEAT BELTS**

- (a) Check that the seat belt system such as the buckles, retractors and anchors operate properly and smoothly.
- (b) Check that the belt webbing is not cut, frayed, worn or damaged.

**18. ACCELERATOR PEDAL**

Check the pedal for smooth operation and uneven pedal effort or catching.

**19. CLUTCH PEDAL (See page CL-3)**

Check the pedal for smooth operation.  
Check that the pedal has the proper freeplay.

**20. BRAKE PEDAL (See page BR-5)**

- (a) Check the pedal for smooth operation.
- (b) Check that the pedal has the proper reserve distance and freeplay.
- (c) Check the brake booster function.

**21. BRAKES**

At a safe place, check that the brakes do not pull to one side when applied.

**22. PARKING BRAKE (See page BR-7)**

- (a) Check that the lever has the proper travel.
- (b) On a safe incline, check that vehicle is held securely with only the parking brake applied.

**UNDER HOOD**

**(Front)**

**23. WINDSHIELD WASHER FLUID**

Check that there is sufficient fluid in the tank.

**24. RADIATOR AND HOSES**

- (a) Check that the front of the radiator is clean and not blocked with leaves, dirt or bugs.
- (b) Check the hoses for cracks, kinks, rot or loose connections.

**25. BRAKE AND CLUTCH FLUID LEVELS**

- (a) Check that the brake fluid level is near the upper level line on the see-through reservoir.
- (b) Check that the clutch fluid level is within  $\pm 5$  mm (0.20 in.) of the reservoir hem.

**(Rear)**

**26. ENGINE COOLANT LEVEL**

Check that the coolant level is between the "FULL" and "LOW" lines on the see-through reservoir.

**27. HOSES AND CONNECTIONS**

Check the hoses for cracks, kinks, rot or loose connection.

**28. BATTERY ELECTROLYTE LEVEL**

Check that the electrolyte level of all battery cells is between the upper and lower level lines on the case. If level is low, add distilled water only.

**29. ENGINE DRIVE BELTS**

Check all drive belts for fraying, cracks wear or oiliness.

**30. ENGINE OIL LEVEL**

Check the level on the dipstick with the engine turned off.

**31. AUTOMATIC TRANSMISSION FLUID LEVEL**

- (a) Park the vehicle on a level surface.
- (b) With the engine idling and the parking brake applied, shift the selector into all positions from "P" to "L", and then shift into "P".
- (c) Pull out the dipstick and wipe off the fluid with a clean rag. Reinsert the dipstick and check that the fluid level is in the "HOT" range.
- (d) Perform this check with the fluid at normal driving temperature (70 – 80°C or 158 – 176°F).

NOTE: Wait until the engine cools (about 30 min.) before checking the fluid level after extended high-speed driving in hot weather, driving in heavy traffic or pulling a trailer.

**32. EXHAUST SYSTEM**

Visually inspect for cracks, holes or loose supports.

If any change in the sound of the exhaust or smell of the exhaust fumes is noticed, have the cause located and corrected.

---

# ENGINE MECHANICAL

	Page
TROUBLESHOOTING .....	EM-2
ENGINE TUNE-UP .....	EM-6
COMPRESSION CHECK .....	EM-14
TIMING BELT .....	EM-15
CYLINDER HEAD (4A-GE) .....	EM-26
CYLINDER HEAD (4A-GZE) .....	EM-55
CYLINDER BLOCK .....	EM-66

**EM**



## TROUBLESHOOTING

Problem	Possible cause	Remedy	Page
Engine overheats	Cooling system faulty Incorrect ignition timing	Troubleshoot cooling system Reset timing	CO-2 IG-11
Engine will not crank or cranks slowly	Starting system faulty	Troubleshoot starting system	ST-2
Engine will not start/ hard to start (Crank OK)	Ignition problems <ul style="list-style-type: none"> <li>● Ignition coil</li> <li>● Igniter</li> <li>● Distributor</li> </ul> Spark plugs faulty High-tension cords disconnected or broken Low compression Vacuum leaks <ul style="list-style-type: none"> <li>● PCV hose</li> <li>● EGR valve</li> <li>● Intake manifold</li> <li>● Intake air control valve (4A-GE)</li> <li>● Throttle body</li> <li>● Brake booster line</li> </ul> No fuel supply to injector <ul style="list-style-type: none"> <li>● No fuel in tank</li> <li>● Fuel pump not working</li> <li>● Fuel filter clogged</li> <li>● Fuel line clogged or leaking</li> </ul> EFI system problems Pulling in air between air flow meter and throttle body	Inspect ignition coil Inspect igniter Inspect distributor Inspect plugs Inspect cords Check compression Check PCV system Check EGR system Check intake manifold Check intake air control valve Check throttle body Check brake booster line Troubleshoot EFI system Repair as necessary Repair as necessary	IG-7 IG-4 IG-7 IG-5 IG-5 EM-14 EC-5 EC-10, 16 EM-43 EM-43 FI-97 FI-9
Rough idle, stalls or misses	Spark plugs faulty High-tension cords faulty Ignition problems <ul style="list-style-type: none"> <li>● Ignition coil</li> <li>● Igniter</li> <li>● Distributor</li> </ul> Incorrect ignition timing Incorrect valve clearance Low compression Incorrect idle speed Vacuum leaks <ul style="list-style-type: none"> <li>● PCV hose</li> <li>● EGR valve</li> <li>● Intake manifold</li> <li>● Intake air control valve (4A-GE)</li> <li>● Throttle body</li> <li>● Brake booster line</li> </ul> EFI system problems Engine overheats Pulling in air between air flow meter and throttle body	Inspect plugs Inspect cords Inspect coil Inspect igniter Inspect distributor Reset timing Adjust valve clearance Check compression Adjust idle speed Check PCV system Check EGR system Check intake manifold Check intake air control valve Check throttle body Check brake booster line Repair as necessary Check cooling system Repair as necessary	IG-5 IG-5 IG-7 IG-4 IG-7 IG-11 EM-7 EM-14 MA-7 or EM-11 EC-5 EC-10, 16 EM-43 EM-43 FI-97 CO-2

## TROUBLESHOOTING (Cont'd)

Problem	Possible cause	Remedy	Page
Engine hesitates/ poor acceleration	Spark plugs faulty	Inspect plugs	IG-5
	High tension cords faulty	Inspect cords	IG-5
	Incorrect ignition timing	Reset timing	IG-11
	Incorrect valve clearance	Adjust valve clearance	EM-7
	Low compression	Check compression	EM-14
	Air cleaner clogged	Check air cleaner	MA-5
	Engine overheats	Check cooling system	CO-2
	Vacuum leaks		
	● PCV hose	Check PCV system	EC-5
	● EGR valve	Check EGR system	EC-10, 16
	● Intake manifold	Check intake manifold	EM-43
	● Intake air control valve (4A-GE)	Check intake air control valve	EM-43
	● Throttle body	Check throttle body	FI-97
	● Brake booster line	Check brake booster line	
Emission control system problem (Cold engine)			
● EGR system always on	Check EGR system	EC-10, 16	
EFI system problems	Repair as necessary		
Pulling in air between air flow meter and throttle body	Repair as necessary		
Fuel system clogged	Check fuel system		
Air cleaner clogged	Check air cleaner		
Engine dieseling (runs after ignition switch is turned OFF)	EFI system problems	Repair as necessary	
Muffler explosion (after fire) on deceleration only	Deceleration fuel cut system completing off	Check fuel cut system	FI-128
	DP system faulty	Check DP system	EC-8
Muffler explosion (after fire) all the time	Incorrect ignition timing	Reset timing	IG-11
	Incorrect valve clearance	Adjust valve clearance	EM-7
	Air cleaner clogged	Check air cleaner	MA-5
	EFI system problem	Repair as necessary	

## TROUBLESHOOTING (Cont'd)

Problem	Possible cause	Remedy	Page
Engine backfires	Incorrect ignition timing	Reset timing	IG-11
	Incorrect valve clearance	Adjust valve clearance	EM-7
	Vacuum leaks		
	● PCV hose	Check PCV system	EC-5
	● EGR valve	Check EGR system	EC-10, 16
	● Intake manifold	Check intake manifold	EM-43
	● Intake air control valve (4A-GE)	Check intake air control valve	EM-43
	● Throttle body	Check throttle body	FI-97
	● Brake booster line	Check brake booster line	
	EFI system problem	Repair as necessary	
Pulling in air between air flow meter and throttle body	Repair as necessary		
Insufficient fuel flow	Troubleshoot fuel system		
Carbon deposits in combustion chambers	Inspect cylinder head		
Excessive oil consumption	Oil leak	Repair as necessary	
	PCV line clogged	Check PCV system	EC-5
	Piston ring worn or damaged	Check rings	EM-89
	Valve stem worn	Check valves and guides	EM-37
	Valve stem oil seal worn or damaged	Check oil seal	
Poor fuel mileage	Spark plugs faulty	Inspect plugs	IG-5
	Incorrect ignition timing	Reset timing	IG-11
	Low compression	Check compression	EM-14
	Air cleaner clogged	Check air cleaner	MA-5
	Fuel leak	Repair as necessary	
	EFI system problems	Repair as necessary	
	● Injector faulty		
	● Deceleration fuel cut system faulty		
	Spark control system always on	Check spark control system	
	Tires improperly inflated	Inflate tires to proper pressure	
	Idle speed too high	Adjust idle speed	MA-7 or EM-11
Clutch slips	Troubleshoot clutch	CL-2	
Brakes drag	Troubleshoot brakes	BR-2	

**TROUBLESHOOTING (Cont'd)**

<b>Problem</b>	<b>Possible cause</b>	<b>Remedy</b>	<b>Page</b>
Unpleasant odor	Incorrect idle speed	Adjust idle speed	MA-7 or EM-11
	Incorrect ignition timing	Reset timing	IG-11
	Vacuum leaks		
	● PCV hose	Check PCV system	EC-5
	● EGR valve	Check EGR system	EC-10, 16
	● Intake manifold	Check intake manifold	EM-43
	● Intake air control valve	Check intake air control valve	EM-43
	● Throttle body	Check throttle body	FI-97
	● Brake booster line	Check brake booster line	
	EFI system problems	Repair as necessary	

## ENGINE TUNE-UP

### INSPECTION OF ENGINE COOLANT

(See steps 1 and 2 on page CO-2)

### INSPECTION OF ENGINE OIL

(See steps 1 and 2 on page LU-3)

### INSPECTION OF BATTERY

(See steps 1 and 2 on page CH-3)

Standard specific gravity:

1.25 – 1.27 when fully charged at 20°C (68°F)

### INSPECTION OF AIR FILTER

(See steps 3 on page MA-5)

### INSPECTION OF HIGH-TENSION CORDS

(See page IG-5)

Maximum resistance: 25 k $\Omega$  per cord

### INSPECTION OF SPARK PLUGS

(See page IG-5)

Correct electrode gap: 1.1 mm (0.043 in.)

Recommended spark plugs:

4A-GE	ND	PQ16R
	NGK	BCPR5EP11
4A-GZE	ND	PQ20R
	NGK	BCPR6EP11

### INSPECTION OF ALTERNATOR DRIVE BELT

(See step 4 on page CH-4)

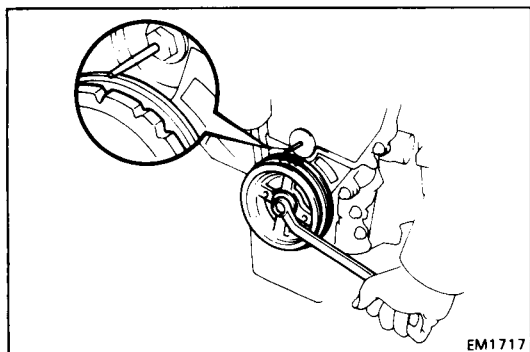
Drive belt tension:

4A-GE		New belt	175 $\pm$ 5 lb
		Used belt	115 $\pm$ 20 lb
4A-GZE	w/ Air con.	New belt	165 $\pm$ 10 lb
		Used belt	85 $\pm$ 15 lb
	w/o Air con.	New belt	175 $\pm$ 5 lb
		Used belt	115 $\pm$ 20 lb

## ADJUSTMENT OF VALVE CLEARANCE

NOTE: Adjust the valve clearance while the engine is cold.

### 1. REMOVE CYLINDER HEAD COVERS (See steps 19 to 22 on page EM-18)



### 2. SET NO.1 CYLINDER TO TDC/COMPRESSION

- Turn the crankshaft pulley and align its groove with the timing mark "O" of the timing pointer.
- Check that the valve lifters on the No.1 cylinder are loose and valve lifters on the No.4 are tight.

If not, turn the crankshaft one revolution (360°) and align the mark as above.

### 3. ADJUST VALVE CLEARANCE

- Check only those valves indicated as shown.
  - Using a feeler gauge, measure the clearance between the valve lifter and camshaft.
  - Record the valve clearance measurements which are out of specification. They will be used later to determine the required replacement adjusting shim.

#### Valve clearance (Cold):

**Intake** 0.15 – 0.25 mm (0.006 – 0.010 in.)

**Exhaust** 0.20 – 0.30 mm (0.008 – 0.012 in.)

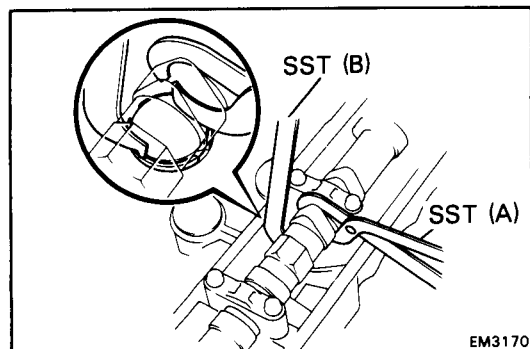
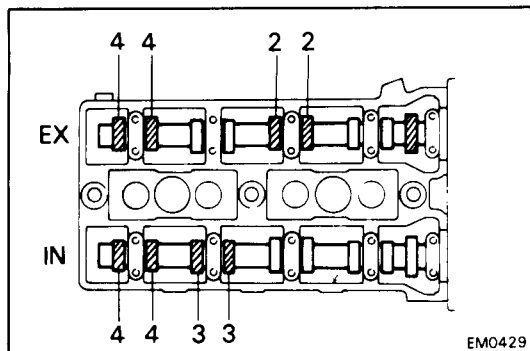
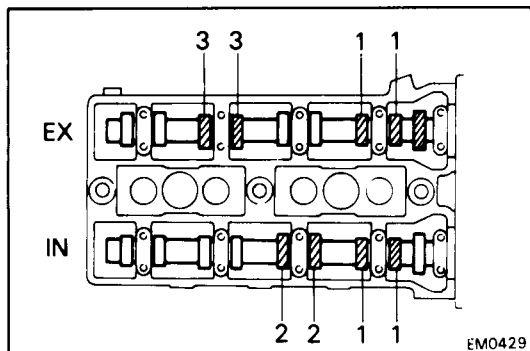
- Turn the crankshaft one revolution (360°) and align the mark as above. (See procedure step 2)
- Check only the valves indicated as shown. Measure the valve clearance. (See procedure step (a)).

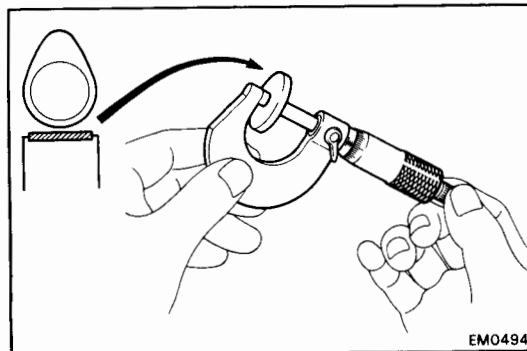
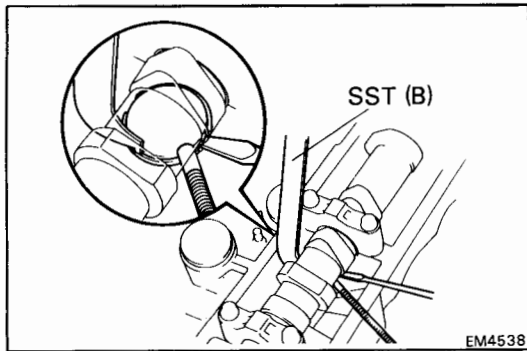
- Remove the adjusting shim.

- Turn the crankshaft to position the cam lobe of the camshaft on the adjusting valve upward.
- Using SST (A), press down the valve lifter and place SST (B) between the camshaft and valve lifter. Remove SST (A).

SST 09248-55010

NOTE: Before pressing down the valve lifter, position the notch toward the spark plug.





- Remove the adjusting shim with a small screwdriver and magnetic finger.

(e) Determine the replacement adjusting shim size following Formula or Charts:

- Using a micrometer, measure the thickness of the shim which was removed.
- Calculate the thickness of a new shim so the valve clearance comes within specified value.

T . . . . . Thickness of used shim

A . . . . . Measured valve clearance

N . . . . . Thickness of new shim

**Intake**     $N = T + (A - 0.20 \text{ mm (0.008 in.)})$

**Exhaust**    $N = T + (A - 0.25 \text{ mm (0.010 in.)})$

- Select a new shim with a thickness as close as possible to the calculated values.

NOTE: Shims are available in seventeen sizes of 0.05 mm (0.0020 in.), from 2.50 mm (0.0984 in.) to 3.30 mm (0.1299 in.).

(f) Install a new adjusting shim.

- Place a new adjusting shim on the valve lifter.
- Using SST (A), press down the valve lifter and remove SST (B).

SST 09248-55010

(g) Recheck the valve clearance.

#### 4. REINSTALL CYLINDER HEAD COVERS (See steps 2 to 5 on pages EM-21, 22)







## INSPECTION AND ADJUSTMENT OF IGNITION TIMING

(See page IG-11)

## INSPECTION AND ADJUSTMENT OF IDLE SPEED (4A-GE)

(See page MA-7)

## INSPECTION AND ADJUSTMENT OF IDLE SPEED (4A-GZE)

### 1. INITIAL CONDITIONS

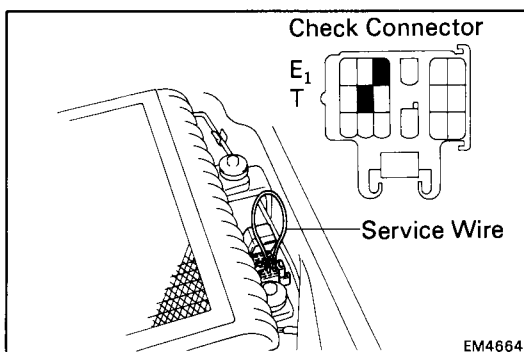
- (a) Engine at reach normal operating temperature
- (b) Air cleaner installed
- (c) All pipes and hoses of air induction system connected
- (d) All vacuum lines connected

NOTE: All vacuum hoses for EGR systems, etc. should be properly connected.

- (e) EFI system wiring connectors fully plugged
- (f) All accessories switched OFF
- (g) Transmission in "N" range

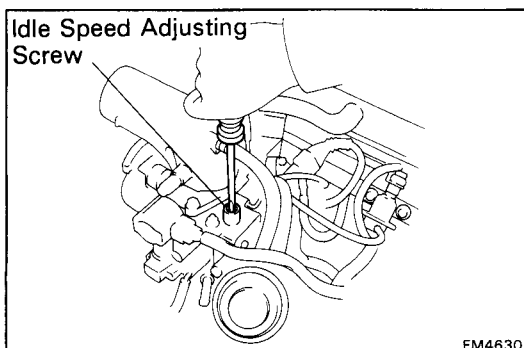
### 2. CHECK ISC VALVE SYSTEM (See page FI-106)

### 3. CONNECT TACHOMETER (See page IG-2)



### 4. ADJUST IDLE SPEED

- (a) Using a service wire, short terminals T and E<sub>1</sub> of check connector.



- (b) Check the idle speed.

**Idle speed: 800 rpm**

- (c) If the idle speed is not as specified, adjust the idle speed by turning the IDLE SPEED ADJUSTING SCREW.

NOTE: Only when the IDLE SPEED ADJUSTING SCREW is fully closed is 850 – 900 rpm possible.

- (d) Remove the service wire.

## 5. FURTHER CHECK IDLE SPEED

**Idle speed: 800 rpm**

If the idle speed is not within this value carry out either of the belowlisted procedures and then recheck the idle speed.

Carry out a driving test, including stop-go several times at a speed above 10 km/h, or start the engine, idle for 30 seconds and then turn the engine off repeatedly. By doing this, idle data will be stored in the ISC and the idle rpm will be at specified value.

## IDLE HC/CO CONCENTRATION CHECK METHOD

**NOTE:** This check is used only to determine whether or not the idle HC/CO complies with regulations.

### 1. INITIAL CONDITIONS

- (a) Engine at reach normal operating temperature
- (b) Air cleaner installed
- (c) All pipes and hoses of air induction system connected
- (d) All accessories switched OFF
- (e) All vacuum lines properly connected

**NOTE:** All vacuum hoses for EGR systems, etc. should be properly connected.

- (f) EFI system wiring connectors fully plugged
- (g) Ignition timing set correctly
- (h) Transmission in N range
- (i) Tachometer and HC/CO meter calibrated and at hand.

### 2. START ENGINE

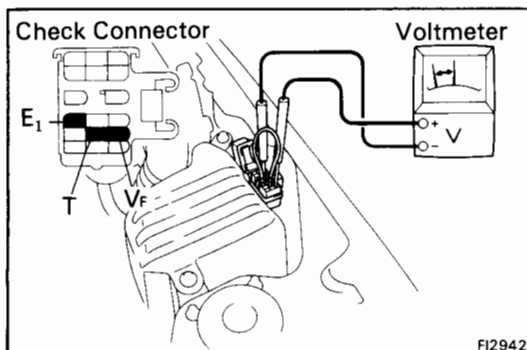
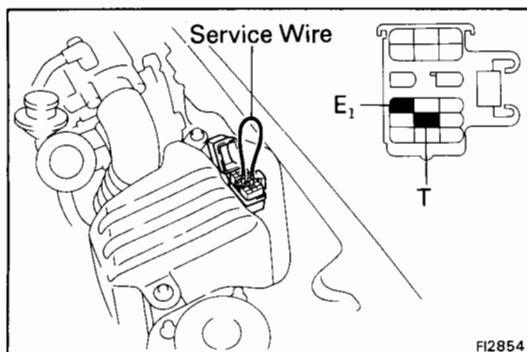
### 3. CHECK OXYGEN SENSOR OPERATION

- (a) Using a service wire, short the terminals T and E<sub>1</sub> of the check connector.
- (b) Connect the positive (+) probe of a voltmeter to terminal V<sub>F</sub> of the check connector, and negative (-) probe to terminal E<sub>1</sub>.
- (c) Hold the engine speed at 2,500 rpm for 90 seconds.
- (d) Then, maintaining engine at 2,500 rpm, count how many times needle of voltmeter fluctuates between 0 and 5 V.

**Minimum needle fluctuation:**

**8 times for every 10 seconds**

If the fluctuation is less than minimum, check the air induction system. If necessary, see EFI SYSTEM.



**4. RACE ENGINE AT 2,500 RPM FOR APPROX. 90 SECONDS**

**5. INSERT HC/CO METER TESTING PROBE INTO TAILPIPE AT LEAST 40 cm (1.3 ft)**

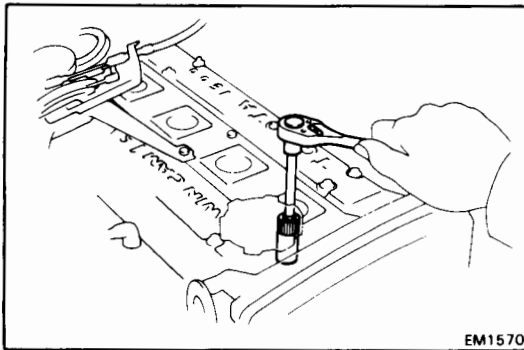
**6. CHECK HC/CO CONCENTRATION AT IDLE**

Wait at least one minute before measuring to allow the concentration to stabilize, complete the measuring within three minutes.

If the HC/CO concentration does not conform to regulations, see the following for possible causes.

## Troubleshooting

HC	CO	Problems	Causes
High	Normal	Rough idle	<ol style="list-style-type: none"> <li>Faulty ignition: <ul style="list-style-type: none"> <li>● Incorrect timing</li> <li>● Fouled, shorted or improperly gapped plugs</li> <li>● Open or crossed high-tension cords</li> <li>● Cracked distributor cap</li> </ul> </li> <li>Incorrect valve clearance</li> <li>Leaky EGR valve</li> <li>Leaky intake and exhaust valves</li> <li>Leaky cylinder</li> </ol>
High	Low	Rough idle (Fluctuating HC reading)	<ol style="list-style-type: none"> <li>Vacuum leak: <ul style="list-style-type: none"> <li>● PCV hose</li> <li>● EGR valve</li> <li>● Intake manifold</li> <li>● Intake air control valve (4A-GE)</li> <li>● Throttle body</li> <li>● Brake booster line</li> </ul> </li> <li>Lean mixture causing misfire</li> </ol>
High	High	Rough idle (Black smoke from exhaust)	<ol style="list-style-type: none"> <li>Restricted air filter</li> <li>Faulty EFI system <ul style="list-style-type: none"> <li>● Faulty pressure regulator</li> <li>● Clogged fuel return line</li> <li>● Defective water temp. sensor</li> <li>● Defective air temp. sensor</li> <li>● Faulty ECU</li> <li>● Faulty injector</li> <li>● Faulty cold start injector</li> <li>● Faulty throttle position sensor</li> <li>● Air flow meter</li> </ul> </li> </ol>

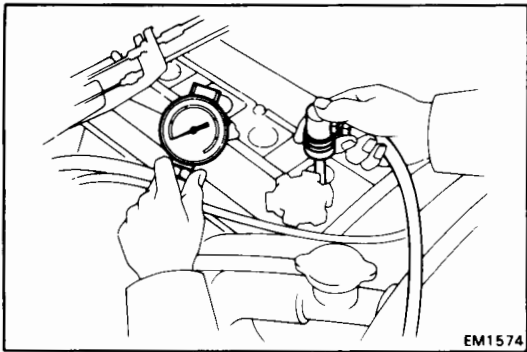


EM1570

## COMPRESSION CHECK

**NOTE:** If there is lack of power, excessive oil consumption or poor fuel economy after engine tune up, measure the cylinder compression pressure.

1. **WARM UP ENGINE**
2. **REMOVE SPARK PLUGS**  
Using a plug wrench (16 mm), remove the spark plugs.
3. **DISCONNECT HIGH-TENSION CORD FROM IGNITION COIL**
4. **DISCONNECT COLD START INJECTOR CONNECTOR**
5. **DISCONNECT INJECTOR CONNECTORS**



EM1574

6. **MEASURE CYLINDER COMPRESSION PRESSURE**
  - (a) Insert a compression gauge into the spark plug hole.
  - (b) Fully open the throttle.
  - (c) While cranking the engine, measure the compression pressure.

**NOTE:** Always use a fully charged battery to insure that at least 250 rpm can be attained.

- (d) Repeat steps (a) through (c) for each cylinder.

### Compression pressure:

4A-GE 12.6 kg/cm<sup>2</sup> (179 psi, 1,236 kPa)

4A-GZE 11.0 kg/cm<sup>2</sup> (156 psi, 1,079 kPa)

### Minimum pressure:

4A-GE 10.0 kg/cm<sup>2</sup> (142 psi, 981 kPa)

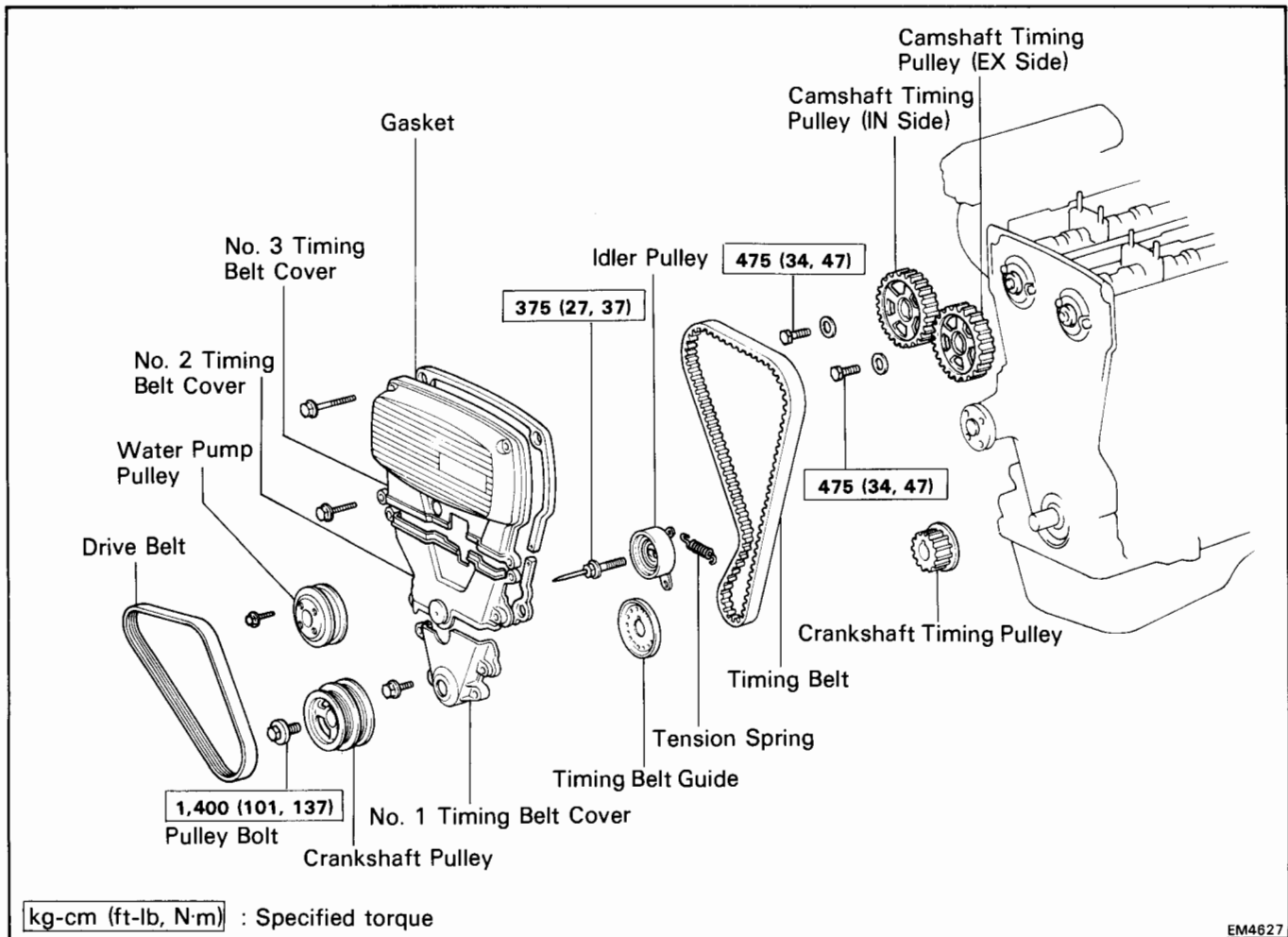
4A-GZE 8.5 kg/cm<sup>2</sup> (121 psi, 834 kPa)

### Difference between each cylinder:

1.0 kg/cm<sup>2</sup> (14 psi, 98 kPa) or less

- (e) If compression of one or more cylinders is low, pour a small amount of engine oil into that cylinder through the spark plug hole and repeat steps (a) through (c) for the cylinder with low compression.
  - If adding oil helps the compression, chances are that the piston rings and/or cylinder bore are worn or damaged.
  - If pressure remains low, a valve may be sticking or seated improperly, or there may be leakage past the gasket.

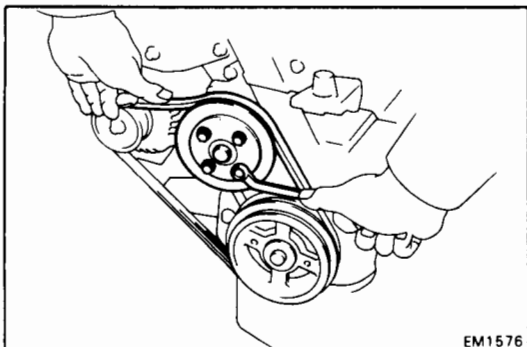
## TIMING BELT COMPONENTS



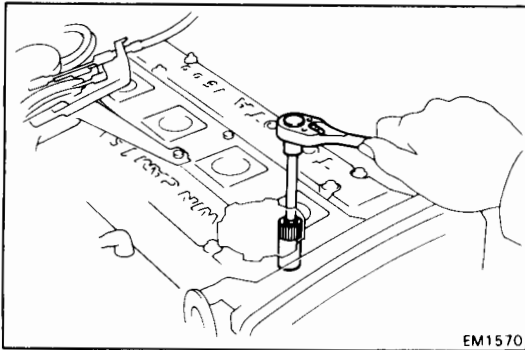
EM4627

### REMOVAL OF TIMING BELT

1. REMOVE RH WHEEL
2. REMOVE ENGINE UNDER COVER
3. (4A-GE with A/C)  
REMOVE A/C DRIVE BELT
4. (4A-GZE)  
REMOVE ALTERNATOR DRIVE BELT
5. REMOVE DRIVE BELT AND WATER PUMP PULLEY
  - (a) Loosen the four bolts mounting the pulley to the pulley seat of the water pump.
  - (b) Loosen the idler pulley lock nut and adjusting bolt, and remove the drive belt.
  - (c) Remove the four bolts and water pump pulley.

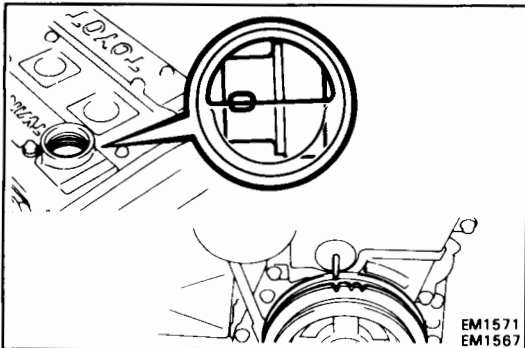


EM1576



## 6. REMOVE SPARK PLUGS

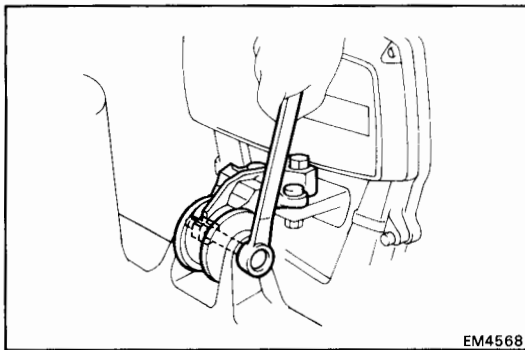
Using plug wrench (16 mm), remove the spark plugs.



## 7. SET NO. 1 CYLINDER TO TDC/COMPRESSION

- Turn the crankshaft pulley and align its groove with the idler pulley bolt.
- Remove the oil filler cap and check that you can see the cavity in the camshaft.

If necessary, turn the crankshaft pulley one complete revolution.

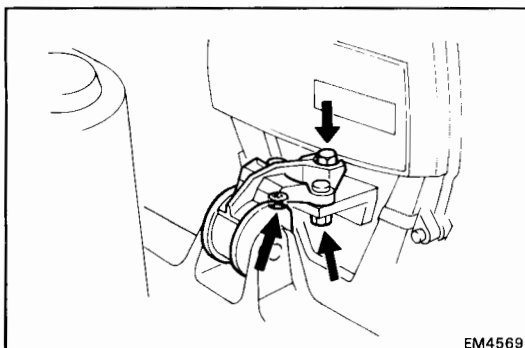


## 8. REMOVE RH ENGINE MOUNTING INSULATOR

- Disconnect the high-tension cords from the ignition coil.
- Disconnect the brake booster vacuum hose from the intake manifold.
- (4A-GE w/ Cruise control)  
Disconnect the cruise control vacuum hose from the intake manifold.
- Slightly raise the engine with a jack.

NOTE: Place a wooden block between the jack and engine.

- Remove the mounting through bolt.
- Remove the two nuts, bolt and RH engine mounting insulator.

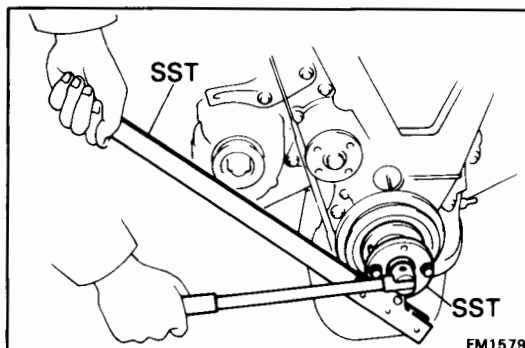


## 9. REMOVE CRANKSHAFT PULLEY

- Using SST to hold the crankshaft pulley, loosen the pulley bolt.

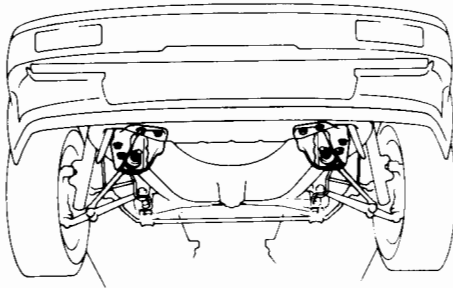
SST 09213-70010 and 09330-00021

- Remove SST and pulley bolt.

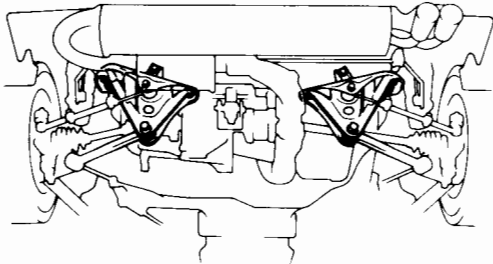




Front Suspension



Rear Suspension



MA0342  
MA0340  
MA0338

**23. TIGHTEN BOLTS AND NUTS ON CHASSIS AND BODY**

Tighten the following parts:

- Front seats mounting bolts  
Torque: **375 kg-cm (27 ft-lb, 37 N·m)**
- Front strut bar bracket-to-body mounting bolts  
Torque: **590 kg-cm (43 ft-lb, 58 N·m)**
- Rear suspension arm bracket-to-body mounting bolts  
Torque: **590 kg-cm (43 ft-lb, 58 N·m)**

**24. FINAL INSPECTION**

- (a) Check operation of the body parts:
  - Hood (front and engine)  
Catch operates properly  
Hood locks securely when closed
  - Doors  
Door locks operate properly  
Doors close properly
  - Luggage compartment door  
Door lock operates properly
  - Seats  
Seat adjust easily and locks securely in any position  
Front seat back locks securely in any position
- (b) Road test
  - Check the engine and chassis for abnormal noise.
  - Check that the vehicle does not wander or pull to one side.
  - Check that the brakes work properly and do not drag.
- (c) Be sure to deliver a clean car and especially check:
  - Steering wheel
  - Shift lever knob
  - All switch knobs
  - Door handles
  - Seats



## GENERAL MAINTENANCE

These are the maintenance and inspection items which are considered to be the owner's responsibility. They can be performed by the owner or he can have them done at a service shop. These items include those which should be checked on a daily basis, those which, in most cases, do not require (special) tools and those which are considered to be reasonable for the owner to perform.

Items and procedures for general maintenance are as follows.

### OUTSIDE VEHICLE

#### 1. TIRES

- (a) Check the pressure with a gauge. If necessary, adjust.
- (b) Check for cuts, damage or excessive wear.

#### 2. WHEEL NUTS

When checking the tires, check the nuts for looseness or for missing nuts. If necessary, tighten them.

#### 3. TIRE ROTATION

It is recommended that the tires be rotated every 7,500 miles (12,000 km).

#### 4. WINDSHIELD WIPER BLADES

Check for wear or cracks whenever they do not wipe clean. Replace if necessary.

#### 5. FLUID LEAKS

- (a) Check underneath for leaking fuel, oil, water or other fluid.
- (b) If you smell gasoline fumes or notice any leak, have the cause found and corrected.

#### 6. DOORS AND HOODS

- (a) Check that all doors and hoods including the trunk lid operate smoothly, and that all latches lock securely.
- (b) Check that the front hood secondary latch secures the hood from opening when the primary latch is released.

### INSIDE VEHICLE

#### 7. LIGHTS

Check that the headlights, stop lights, taillights, turn signal lights, and other lights are all working.

#### 8. WARNING LIGHTS AND BUZZERS

Check that all warning lights and buzzers function properly.

#### 9. HORN

Check that it is working.

#### 10. WINDSHIELD GLASS

Check for scratches, pits or abrasions.

#### 11. WINDSHIELD WIPER AND WASHER

- (a) Check operation of the wipers and washer.
- (b) Check that the wipers do not streak.

#### 12. WINDSHIELD DEFROSTER

Check that air comes out from the defroster outlet when operating the heater or air conditioner.

#### 13. REAR VIEW MIRROR

Check that it is mounted securely.

#### 14. SUN VISORS

Check that they move freely and are mounted securely.

#### 15. STEERING WHEEL

Check that it has specified freeplay. Be alert for changes in steering condition, such as hard steering, excessive freeplay or strange noise.

#### 16. SEATS

- (a) Check that all front seat controls such as seat adjusters, seatback recliner, etc. operate smoothly.
- (b) Check that all latches lock securely in any position.
- (c) Check that the locks hold securely in any latched position.
- (d) Check that the head restraints move up and down smoothly and that the locks hold securely in any latched position.

**17. SEAT BELTS**

- (a) Check that the seat belt system such as the buckles, retractors and anchors operate properly and smoothly.
- (b) Check that the belt webbing is not cut, frayed, worn or damaged.

**18. ACCELERATOR PEDAL**

Check the pedal for smooth operation and uneven pedal effort or catching.

**19. CLUTCH PEDAL (See page CL-3)**

Check the pedal for smooth operation.  
Check that the pedal has the proper freeplay.

**20. BRAKE PEDAL (See page BR-5)**

- (a) Check the pedal for smooth operation.
- (b) Check that the pedal has the proper reserve distance and freeplay.
- (c) Check the brake booster function.

**21. BRAKES**

At a safe place, check that the brakes do not pull to one side when applied.

**22. PARKING BRAKE (See page BR-7)**

- (a) Check that the lever has the proper travel.
- (b) On a safe incline, check that vehicle is held securely with only the parking brake applied.

**UNDER HOOD**

**(Front)**

**23. WINDSHIELD WASHER FLUID**

Check that there is sufficient fluid in the tank.

**24. RADIATOR AND HOSES**

- (a) Check that the front of the radiator is clean and not blocked with leaves, dirt or bugs.
- (b) Check the hoses for cracks, kinks, rot or loose connections.

**25. BRAKE AND CLUTCH FLUID LEVELS**

- (a) Check that the brake fluid level is near the upper level line on the see-through reservoir.
- (b) Check that the clutch fluid level is within  $\pm$  5 mm (0.20 in.) of the reservoir hem.

**(Rear)**

**26. ENGINE COOLANT LEVEL**

Check that the coolant level is between the "FULL" and "LOW" lines on the see-through reservoir.

**27. HOSES AND CONNECTIONS**

Check the hoses for cracks, kinks, rot or loose connection.

**28. BATTERY ELECTROLYTE LEVEL**

Check that the electrolyte level of all battery cells is between the upper and lower level lines on the case. If level is low, add distilled water only.

**29. ENGINE DRIVE BELTS**

Check all drive belts for fraying, cracks wear or oiliness.

**30. ENGINE OIL LEVEL**

Check the level on the dipstick with the engine turned off.

**31. AUTOMATIC TRANSMISSION FLUID LEVEL**

- (a) Park the vehicle on a level surface.
- (b) With the engine idling and the parking brake applied, shift the selector into all positions from "P" to "L", and then shift into "P".
- (c) Pull out the dipstick and wipe off the fluid with a clean rag. Reinsert the dipstick and check that the fluid level is in the "HOT" range.
- (d) Perform this check with the fluid at normal driving temperature (70 – 80°C or 158 – 176°F).

NOTE: Wait until the engine cools (about 30 min.) before checking the fluid level after extended high-speed driving in hot weather, driving in heavy traffic or pulling a trailer.

**32. EXHAUST SYSTEM**

Visually inspect for cracks, holes or loose supports.

If any change in the sound of the exhaust or smell of the exhaust fumes is noticed, have the cause located and corrected.

---

# ENGINE MECHANICAL

	Page
TROUBLESHOOTING .....	EM-2
ENGINE TUNE-UP .....	EM-6
COMPRESSION CHECK .....	EM-14
TIMING BELT .....	EM-15
CYLINDER HEAD (4A-GE) .....	EM-26
CYLINDER HEAD (4A-GZE) .....	EM-55
CYLINDER BLOCK .....	EM-66

**EM**

## TROUBLESHOOTING

Problem	Possible cause	Remedy	Page
Engine overheats	Cooling system faulty Incorrect ignition timing	Troubleshoot cooling system Reset timing	CO-2 IG-11
Engine will not crank or cranks slowly	Starting system faulty	Troubleshoot starting system	ST-2
Engine will not start/ hard to start (Crank OK)	Ignition problems <ul style="list-style-type: none"> <li>● Ignition coil</li> <li>● Igniter</li> <li>● Distributor</li> </ul> Spark plugs faulty High-tension cords disconnected or broken Low compression Vacuum leaks <ul style="list-style-type: none"> <li>● PCV hose</li> <li>● EGR valve</li> <li>● Intake manifold</li> <li>● Intake air control valve (4A-GE)</li> <li>● Throttle body</li> <li>● Brake booster line</li> </ul> No fuel supply to injector <ul style="list-style-type: none"> <li>● No fuel in tank</li> <li>● Fuel pump not working</li> <li>● Fuel filter clogged</li> <li>● Fuel line clogged or leaking</li> </ul> EFI system problems Pulling in air between air flow meter and throttle body	Inspect ignition coil Inspect igniter Inspect distributor Inspect plugs Inspect cords Check compression Check PCV system Check EGR system Check intake manifold Check intake air control valve Check throttle body Check brake booster line Troubleshoot EFI system Repair as necessary Repair as necessary	IG-7 IG-4 IG-7 IG-5 IG-5 EM-14 EC-5 EC-10, 16 EM-43 EM-43 FI-97 FI-9
Rough idle, stalls or misses	Spark plugs faulty High-tension cords faulty Ignition problems <ul style="list-style-type: none"> <li>● Ignition coil</li> <li>● Igniter</li> <li>● Distributor</li> </ul> Incorrect ignition timing Incorrect valve clearance Low compression Incorrect idle speed Vacuum leaks <ul style="list-style-type: none"> <li>● PCV hose</li> <li>● EGR valve</li> <li>● Intake manifold</li> <li>● Intake air control valve (4A-GE)</li> <li>● Throttle body</li> <li>● Brake booster line</li> </ul> EFI system problems Engine overheats Pulling in air between air flow meter and throttle body	Inspect plugs Inspect cords Inspect coil Inspect igniter Inspect distributor Reset timing Adjust valve clearance Check compression Adjust idle speed Check PCV system Check EGR system Check intake manifold Check intake air control valve Check throttle body Check brake booster line Repair as necessary Check cooling system Repair as necessary	IG-5 IG-5 IG-7 IG-4 IG-7 IG-11 EM-7 EM-14 MA-7 or EM-11 EC-5 EC-10, 16 EM-43 EM-43 FI-97 CO-2

## TROUBLESHOOTING (Cont'd)

Problem	Possible cause	Remedy	Page
Engine hesitates/ poor acceleration	Spark plugs faulty	Inspect plugs	IG-5
	High tension cords faulty	Inspect cords	IG-5
	Incorrect ignition timing	Reset timing	IG-11
	Incorrect valve clearance	Adjust valve clearance	EM-7
	Low compression	Check compression	EM-14
	Air cleaner clogged	Check air cleaner	MA-5
	Engine overheats	Check cooling system	CO-2
	Vacuum leaks		
	● PCV hose	Check PCV system	EC-5
	● EGR valve	Check EGR system	EC-10, 16
	● Intake manifold	Check intake manifold	EM-43
	● Intake air control valve (4A-GE)	Check intake air control valve	EM-43
	● Throttle body	Check throttle body	FI-97
	● Brake booster line	Check brake booster line	
Emission control system problem (Cold engine)			
● EGR system always on	Check EGR system	EC-10, 16	
EFI system problems	Repair as necessary		
Pulling in air between air flow meter and throttle body	Repair as necessary		
Fuel system clogged	Check fuel system		
Air cleaner clogged	Check air cleaner		
Engine dieseling (runs after ignition switch is turned OFF)	EFI system problems	Repair as necessary	
Muffler explosion (after fire) on deceleration only	Deceleration fuel cut system completing off	Check fuel cut system	FI-128
	DP system faulty	Check DP system	EC-8
Muffler explosion (after fire) all the time	Incorrect ignition timing	Reset timing	IG-11
	Incorrect valve clearance	Adjust valve clearance	EM-7
	Air cleaner clogged	Check air cleaner	MA-5
	EFI system problem	Repair as necessary	

**TROUBLESHOOTING (Cont'd)**

<b>Problem</b>	<b>Possible cause</b>	<b>Remedy</b>	<b>Page</b>
Engine backfires	Incorrect ignition timing Incorrect valve clearance Vacuum leaks <ul style="list-style-type: none"> <li>● PCV hose</li> <li>● EGR valve</li> <li>● Intake manifold</li> <li>● Intake air control valve (4A-GE)</li> <li>● Throttle body</li> <li>● Brake booster line</li> </ul> EFI system problem Pulling in air between air flow meter and throttle body Insufficient fuel flow Carbon deposits in combustion chambers	Reset timing Adjust valve clearance  Check PCV system Check EGR system Check intake manifold Check intake air control valve Check throttle body Check brake booster line Repair as necessary Repair as necessary  Troubleshoot fuel system Inspect cylinder head	IG-11 EM-7  EC-5 EC-10, 16 EM-43 EM-43 FI-97         
Excessive oil consumption	Oil leak PCV line clogged Piston ring worn or damaged Valve stem worn Valve stem oil seal worn or damaged	Repair as necessary Check PCV system Check rings Check valves and guides Check oil seal	EC-5 EM-89 EM-37
Poor fuel mileage	Spark plugs faulty Incorrect ignition timing Low compression Air cleaner clogged Fuel leak EFI system problems <ul style="list-style-type: none"> <li>● Injector faulty</li> <li>● Deceleration fuel cut system faulty</li> </ul> Spark control system always on Tires improperly inflated Idle speed too high  Clutch slips Brakes drag	Inspect plugs Reset timing Check compression Check air cleaner Repair as necessary Repair as necessary  Check spark control system Inflate tires to proper pressure Adjust idle speed  Troubleshoot clutch Troubleshoot brakes	IG-5 IG-11 EM-14 MA-5        MA-7 or EM-11 CL-2 BR-2

**TROUBLESHOOTING (Cont'd)**

<b>Problem</b>	<b>Possible cause</b>	<b>Remedy</b>	<b>Page</b>
Unpleasant odor	Incorrect idle speed	Adjust idle speed	MA-7 or EM-11
	Incorrect ignition timing	Reset timing	IG-11
	Vacuum leaks		
	● PCV hose	Check PCV system	EC-5
	● EGR valve	Check EGR system	EC-10, 16
	● Intake manifold	Check intake manifold	EM-43
	● Intake air control valve	Check intake air control valve	EM-43
	● Throttle body	Check throttle body	FI-97
	● Brake booster line	Check brake booster line	
	EFI system problems	Repair as necessary	

# ENGINE TUNE-UP

## INSPECTION OF ENGINE COOLANT

(See steps 1 and 2 on page CO-2)

## INSPECTION OF ENGINE OIL

(See steps 1 and 2 on page LU-3)

## INSPECTION OF BATTERY

(See steps 1 and 2 on page CH-3)

Standard specific gravity:

1.25 – 1.27 when fully charged at 20°C (68°F)

## INSPECTION OF AIR FILTER

(See steps 3 on page MA-5)

## INSPECTION OF HIGH-TENSION CORDS

(See page IG-5)

Maximum resistance: 25 kΩ per cord

## INSPECTION OF SPARK PLUGS

(See page IG-5)

Correct electrode gap: 1.1 mm (0.043 in.)

Recommended spark plugs:

4A-GE	ND	PQ16R
	NGK	BCPR5EP11
4A-GZE	ND	PQ20R
	NGK	BCPR6EP11

## INSPECTION OF ALTERNATOR DRIVE BELT

(See step 4 on page CH-4)

Drive belt tension:

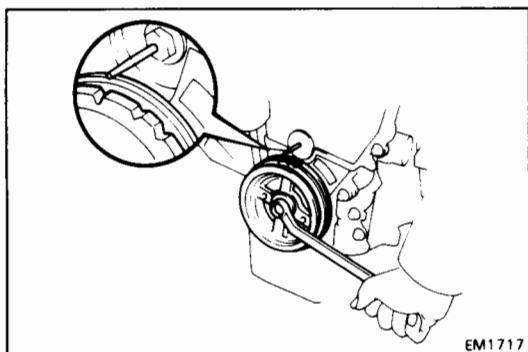
4A-GE		New belt	175 ± 5 lb
		Used belt	115 ± 20 lb
4A-GZE	w/ Air con.	New belt	165 ± 10 lb
		Used belt	85 ± 15 lb
	w/o Air con.	New belt	175 ± 5 lb
		Used belt	115 ± 20 lb



## ADJUSTMENT OF VALVE CLEARANCE

NOTE: Adjust the valve clearance while the engine is cold.

### 1. REMOVE CYLINDER HEAD COVERS (See steps 19 to 22 on page EM-18)



EM1717

### 2. SET NO.1 CYLINDER TO TDC/COMPRESSION

- Turn the crankshaft pulley and align its groove with the timing mark "O" of the timing pointer.
- Check that the valve lifters on the No.1 cylinder are loose and valve lifters on the No.4 are tight.

If not, turn the crankshaft one revolution (360°) and align the mark as above.

### 3. ADJUST VALVE CLEARANCE

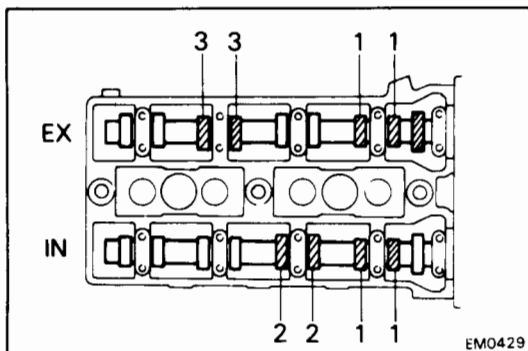
- Check only those valves indicated as shown.
  - Using a feeler gauge, measure the clearance between the valve lifter and camshaft.
  - Record the valve clearance measurements which are out of specification. They will be used later to determine the required replacement adjusting shim.

#### Valve clearance (Cold):

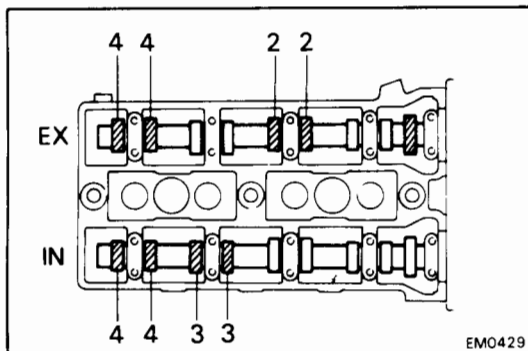
**Intake** 0.15 – 0.25 mm (0.006 – 0.010 in.)

**Exhaust** 0.20 – 0.30 mm (0.008 – 0.012 in.)

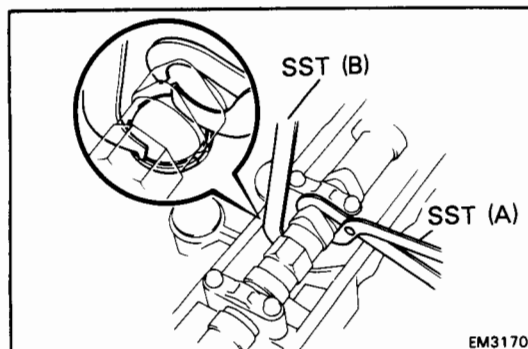
- Turn the crankshaft one revolution (360°) and align the mark as above. (See procedure step 2)
- Check only the valves indicated as shown. Measure the valve clearance. (See procedure step (a)).



EM0429



EM0429

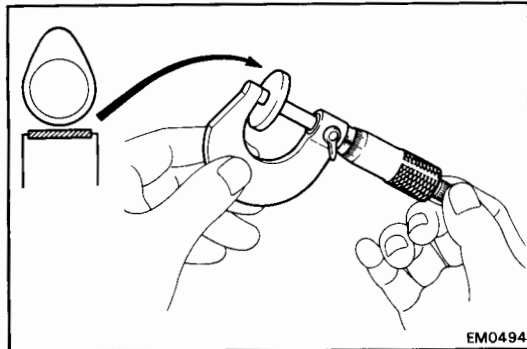
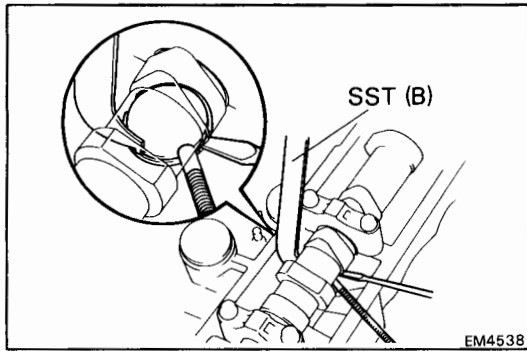


EM3170

- Remove the adjusting shim.
  - Turn the crankshaft to position the cam lobe of the camshaft on the adjusting valve upward.
  - Using SST (A), press down the valve lifter and place SST (B) between the camshaft and valve lifter. Remove SST (A).

SST 09248-55010

NOTE: Before pressing down the valve lifter, position the notch toward the spark plug.



- Remove the adjusting shim with a small screwdriver and magnetic finger.

(e) Determine the replacement adjusting shim size following Formula or Charts:

- Using a micrometer, measure the thickness of the shim which was removed.
- Calculate the thickness of a new shim so the valve clearance comes within specified value.

T . . . . Thickness of used shim

A . . . . Measured valve clearance

N . . . . Thickness of new shim

**Intake**     $N = T + (A - 0.20 \text{ mm (0.008 in.)})$

**Exhaust**    $N = T + (A - 0.25 \text{ mm (0.010 in.)})$

- Select a new shim with a thickness as close as possible to the calculated values.

NOTE: Shims are available in seventeen sizes of 0.05 mm (0.0020 in.), from 2.50 mm (0.0984 in.) to 3.30 mm (0.1299 in.).

(f) Install a new adjusting shim.

- Place a new adjusting shim on the valve lifter.
- Using SST (A), press down the valve lifter and remove SST (B).

SST 09248-55010

(g) Recheck the valve clearance.

#### 4. REINSTALL CYLINDER HEAD COVERS (See steps 2 to 5 on pages EM-21, 22)





## INSPECTION AND ADJUSTMENT OF IGNITION TIMING

(See page IG-11)

## INSPECTION AND ADJUSTMENT OF IDLE SPEED (4A-GE)

(See page MA-7)

## INSPECTION AND ADJUSTMENT OF IDLE SPEED (4A-GZE)

### 1. INITIAL CONDITIONS

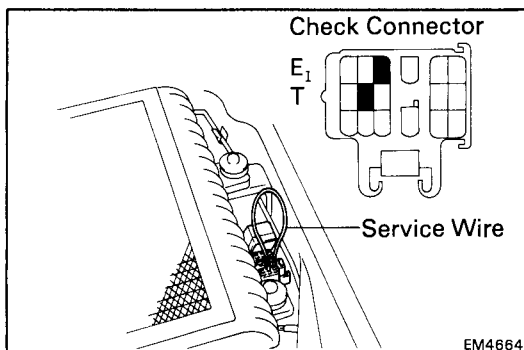
- (a) Engine at reach normal operating temperature
- (b) Air cleaner installed
- (c) All pipes and hoses of air induction system connected
- (d) All vacuum lines connected

NOTE: All vacuum hoses for EGR systems, etc. should be properly connected.

- (e) EFI system wiring connectors fully plugged
- (f) All accessories switched OFF
- (g) Transmission in "N" range

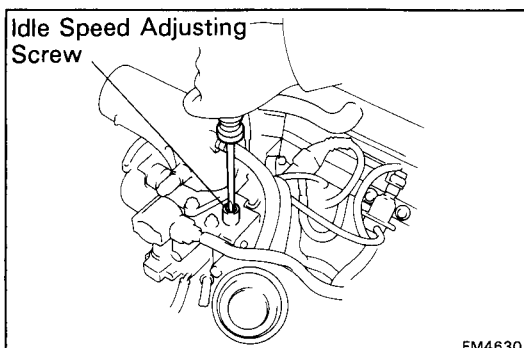
### 2. CHECK ISC VALVE SYSTEM (See page FI-106)

### 3. CONNECT TACHOMETER (See page IG-2)



### 4. ADJUST IDLE SPEED

- (a) Using a service wire, short terminals T and E<sub>1</sub> of check connector.



- (b) Check the idle speed.

**Idle speed: 800 rpm**

- (c) If the idle speed is not as specified, adjust the idle speed by turning the IDLE SPEED ADJUSTING SCREW.

NOTE: Only when the IDLE SPEED ADJUSTING SCREW is fully closed is 850 – 900 rpm possible.

- (d) Remove the service wire.

## 5. FURTHER CHECK IDLE SPEED

**Idle speed: 800 rpm**

If the idle speed is not within this value carry out either of the belowlisted procedures and then recheck the idle speed.

Carry out a driving test, including stop-go several times at a speed above 10 km/h, or start the engine, idle for 30 seconds and then turn the engine off repeatedly. By doing this, idle data will be stored in the ISC and the idle rpm will be at specified value.

## IDLE HC/CO CONCENTRATION CHECK METHOD

**NOTE:** This check is used only to determine whether or not the idle HC/CO complies with regulations.

### 1. INITIAL CONDITIONS

- (a) Engine at reach normal operating temperature
- (b) Air cleaner installed
- (c) All pipes and hoses of air induction system connected
- (d) All accessories switched OFF
- (e) All vacuum lines properly connected

**NOTE:** All vacuum hoses for EGR systems, etc. should be properly connected.

- (f) EFI system wiring connectors fully plugged
- (g) Ignition timing set correctly
- (h) Transmission in N range
- (i) Tachometer and HC/CO meter calibrated and at hand.

### 2. START ENGINE

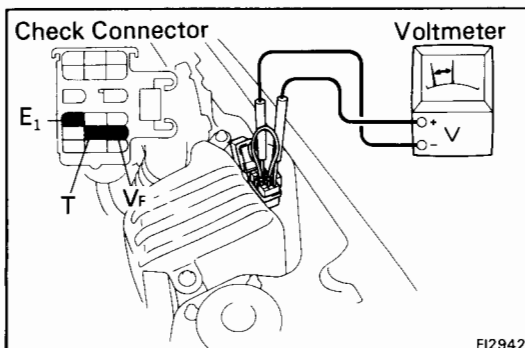
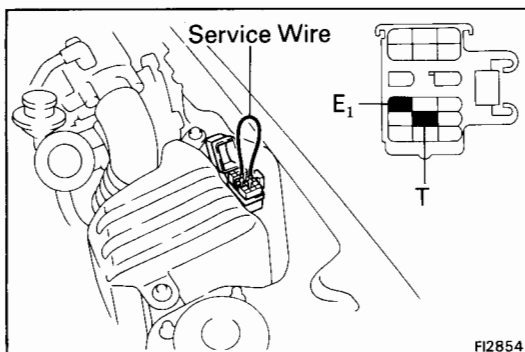
### 3. CHECK OXYGEN SENSOR OPERATION

- (a) Using a service wire, short the terminals T and E<sub>1</sub> of the check connector.
- (b) Connect the positive (+) probe of a voltmeter to terminal V<sub>F</sub> of the check connector, and negative (-) probe to terminal E<sub>1</sub>.
- (c) Hold the engine speed at 2,500 rpm for 90 seconds.
- (d) Then, maintaining engine at 2,500 rpm, count how many times needle of voltmeter fluctuates between 0 and 5 V.

**Minimum needle fluctuation:**

**8 times for every 10 seconds**

If the fluctuation is less than minimum, check the air induction system. If necessary, see EFI SYSTEM.



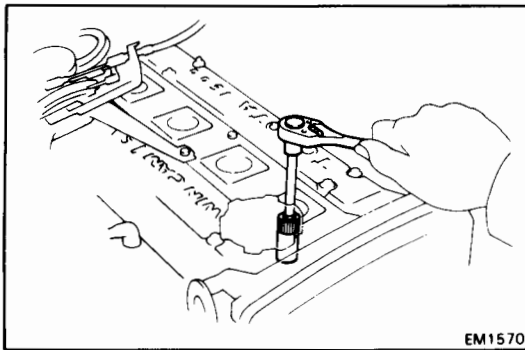
4. RACE ENGINE AT 2,500 RPM FOR APPROX. 90 SECONDS
5. INSERT HC/CO METER TESTING PROBE INTO TAILPIPE AT LEAST 40 cm (1.3 ft)
6. CHECK HC/CO CONCENTRATION AT IDLE

Wait at least one minute before measuring to allow the concentration to stabilize, complete the measuring within three minutes.

If the HC/CO concentration does not conform to regulations, see the following for possible causes.

## Troubleshooting

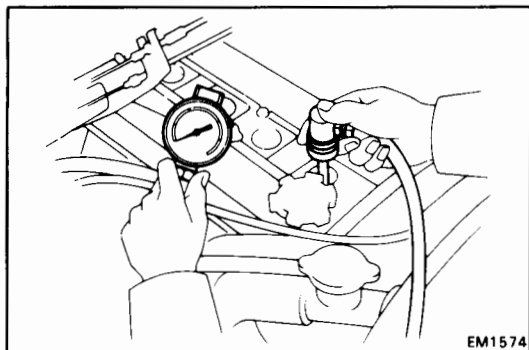
HC	CO	Problems	Causes
High	Normal	Rough idle	<ol style="list-style-type: none"> <li>1. Faulty ignition: <ul style="list-style-type: none"> <li>● Incorrect timing</li> <li>● Fouled, shorted or improperly gapped plugs</li> <li>● Open or crossed high-tension cords</li> <li>● Cracked distributor cap</li> </ul> </li> <li>2. Incorrect valve clearance</li> <li>3. Leaky EGR valve</li> <li>4. Leaky intake and exhaust valves</li> <li>5. Leaky cylinder</li> </ol>
High	Low	Rough idle (Fluctuating HC reading)	<ol style="list-style-type: none"> <li>1. Vacuum leak: <ul style="list-style-type: none"> <li>● PCV hose</li> <li>● EGR valve</li> <li>● Intake manifold</li> <li>● Intake air control valve (4A-GE)</li> <li>● Throttle body</li> <li>● Brake booster line</li> </ul> </li> <li>2. Lean mixture causing misfire</li> </ol>
High	High	Rough idle (Black smoke from exhaust)	<ol style="list-style-type: none"> <li>1. Restricted air filter</li> <li>2. Faulty EFI system <ul style="list-style-type: none"> <li>● Faulty pressure regulator</li> <li>● Clogged fuel return line</li> <li>● Defective water temp. sensor</li> <li>● Defective air temp. sensor</li> <li>● Faulty ECU</li> <li>● Faulty injector</li> <li>● Faulty cold start injector</li> <li>● Faulty throttle position sensor</li> <li>● Air flow meter</li> </ul> </li> </ol>



## COMPRESSION CHECK

**NOTE:** If there is lack of power, excessive oil consumption or poor fuel economy after engine tune up, measure the cylinder compression pressure.

1. **WARM UP ENGINE**
2. **REMOVE SPARK PLUGS**  
Using a plug wrench (16 mm), remove the spark plugs.
3. **DISCONNECT HIGH-TENSION CORD FROM IGNITION COIL**
4. **DISCONNECT COLD START INJECTOR CONNECTOR**
5. **DISCONNECT INJECTOR CONNECTORS**



### 6. MEASURE CYLINDER COMPRESSION PRESSURE

- (a) Insert a compression gauge into the spark plug hole.
- (b) Fully open the throttle.
- (c) While cranking the engine, measure the compression pressure.

**NOTE:** Always use a fully charged battery to insure that at least 250 rpm can be attained.

- (d) Repeat steps (a) through (c) for each cylinder.

#### Compression pressure:

**4A-GE** 12.6 kg/cm<sup>2</sup> (179 psi, 1,236 kPa)

**4A-GZE** 11.0 kg/cm<sup>2</sup> (156 psi, 1,079 kPa)

#### Minimum pressure:

**4A-GE** 10.0 kg/cm<sup>2</sup> (142 psi, 981 kPa)

**4A-GZE** 8.5 kg/cm<sup>2</sup> (121 psi, 834 kPa)

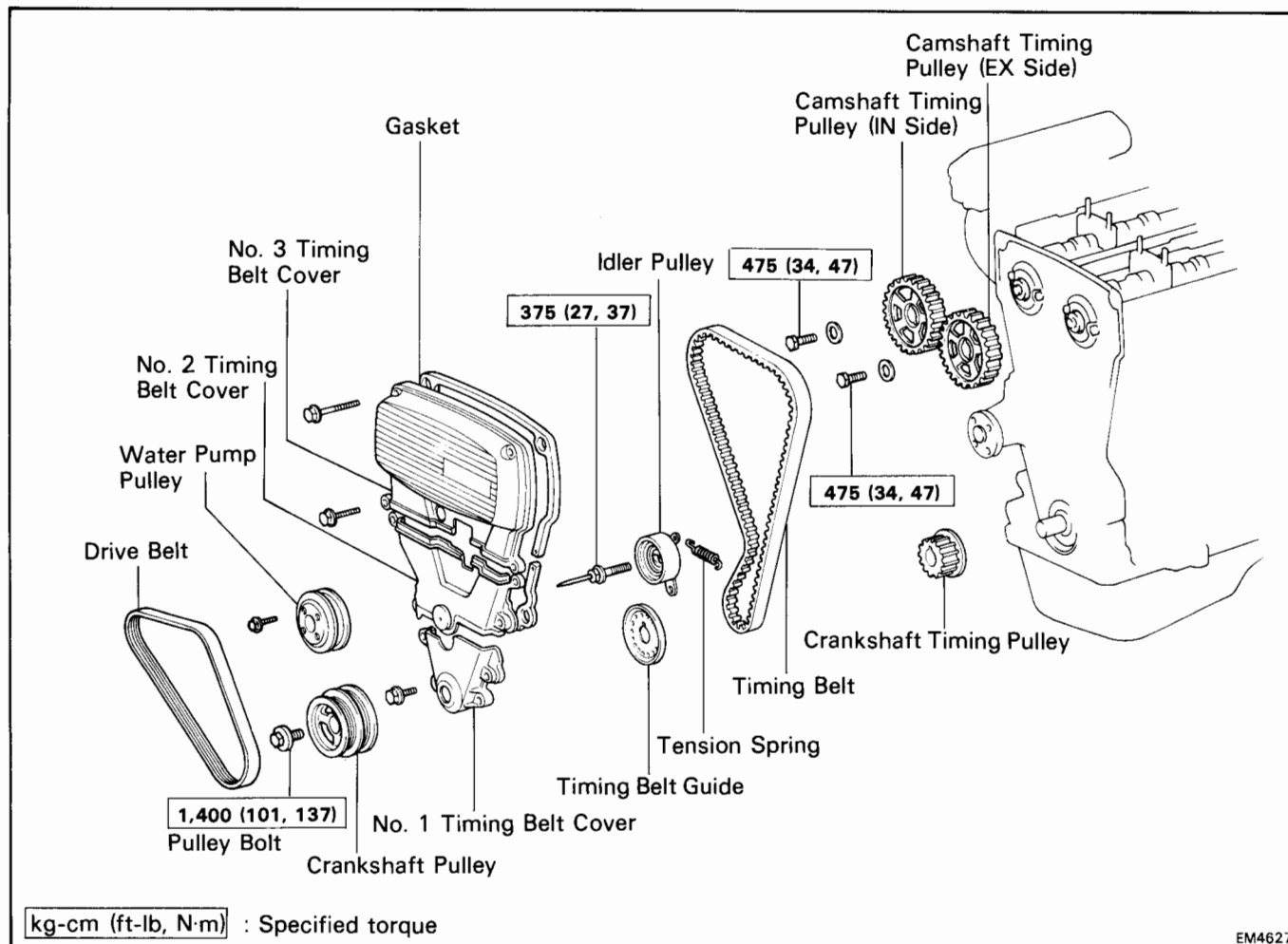
#### Difference between each cylinder:

**1.0 kg/cm<sup>2</sup> (14 psi, 98 kPa) or less**

- (e) If compression of one or more cylinders is low, pour a small amount of engine oil into that cylinder through the spark plug hole and repeat steps (a) through (c) for the cylinder with low compression.
- If adding oil helps the compression, chances are that the piston rings and/or cylinder bore are worn or damaged.
  - If pressure remains low, a valve may be sticking or seated improperly, or there may be leakage past the gasket.



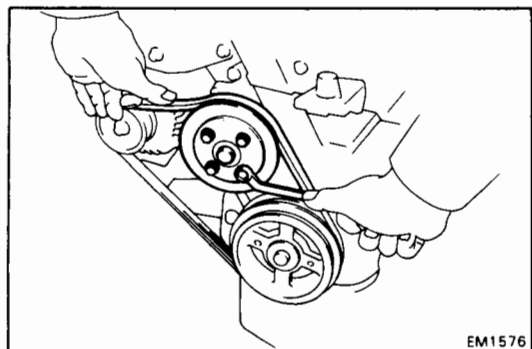
## TIMING BELT COMPONENTS



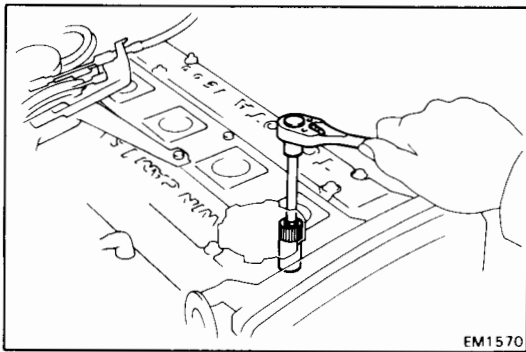
EM4627

### REMOVAL OF TIMING BELT

1. REMOVE RH WHEEL
2. REMOVE ENGINE UNDER COVER
3. (4A-GE with A/C)  
REMOVE A/C DRIVE BELT
4. (4A-GZE)  
REMOVE ALTERNATOR DRIVE BELT
5. REMOVE DRIVE BELT AND WATER PUMP PULLEY
  - (a) Loosen the four bolts mounting the pulley to the pulley seat of the water pump.
  - (b) Loosen the idler pulley lock nut and adjusting bolt, and remove the drive belt.
  - (c) Remove the four bolts and water pump pulley.



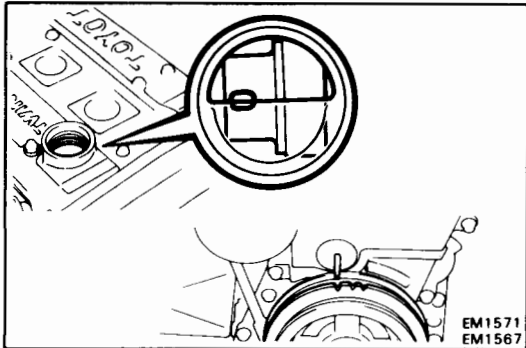
EM1576



EM1570

## 6. REMOVE SPARK PLUGS

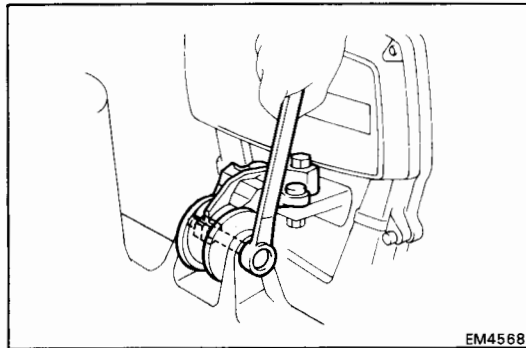
Using plug wrench (16 mm), remove the spark plugs.

EM1571  
EM1567

## 7. SET NO. 1 CYLINDER TO TDC/COMPRESSION

- Turn the crankshaft pulley and align its groove with the idler pulley bolt.
- Remove the oil filler cap and check that you can see the cavity in the camshaft.

If necessary, turn the crankshaft pulley one complete revolution.



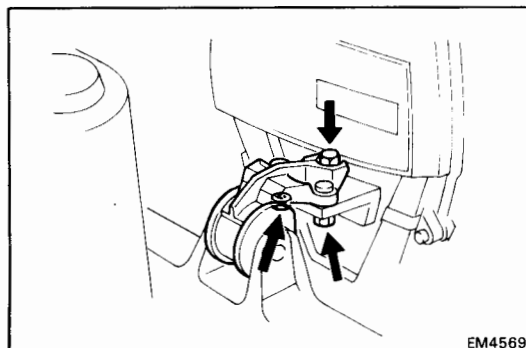
EM4568

## 8. REMOVE RH ENGINE MOUNTING INSULATOR

- Disconnect the high-tension cords from the ignition coil.
- Disconnect the brake booster vacuum hose from the intake manifold.
- (4A-GE w/ Cruise control)  
Disconnect the cruise control vacuum hose from the intake manifold.
- Slightly raise the engine with a jack.

**NOTE:** Place a wooden block between the jack and engine.

- Remove the mounting through bolt.
- Remove the two nuts, bolt and RH engine mounting insulator.



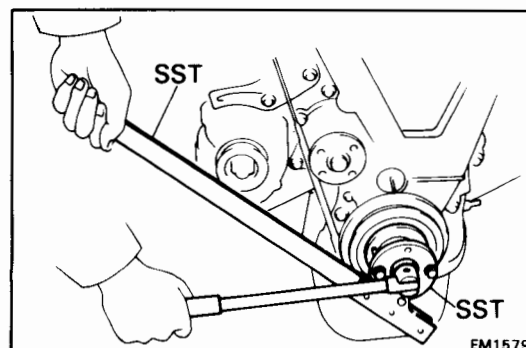
EM4569

## 9. REMOVE CRANKSHAFT PULLEY

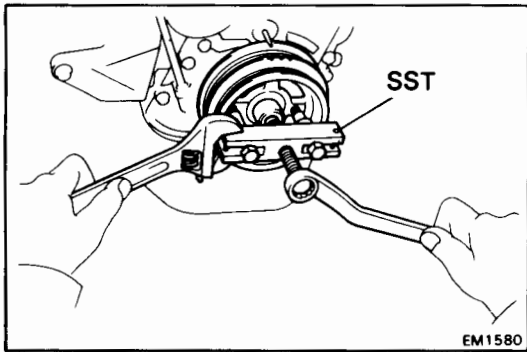
- Using SST to hold the crankshaft pulley, loosen the pulley bolt.

SST 09213-70010 and 09330-00021

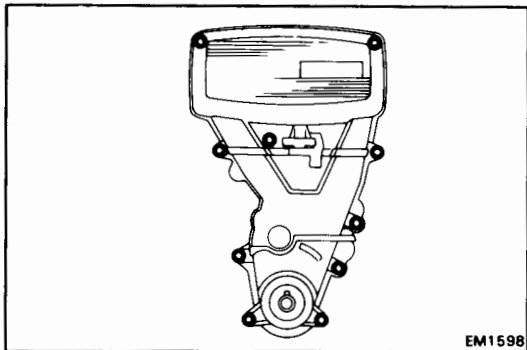
- Remove SST and pulley bolt.



EM1579



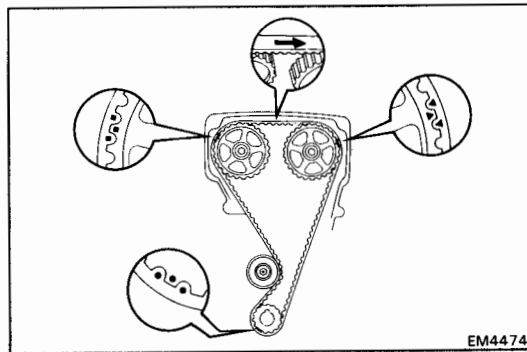
- (c) Using SST, remove the crankshaft pulley.  
SST 09213-31021



#### 10. REMOVE TIMING BELT COVERS WITH GASKETS

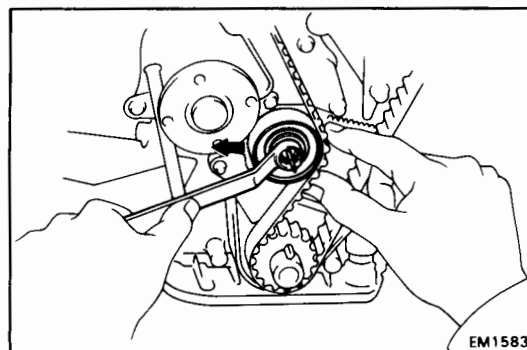
Remove the ten bolts and timing belt covers with gaskets.

#### 11. REMOVE TIMING BELT GUIDE

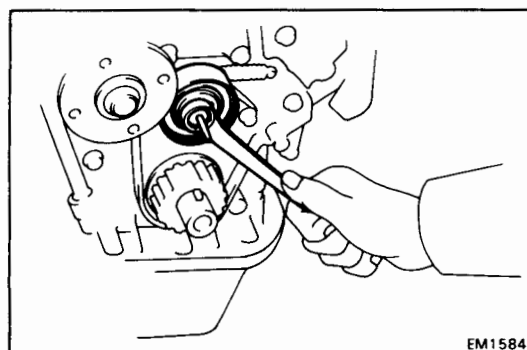


#### 12. REMOVE TIMING BELT

**NOTE:** If reusing the timing belt, draw a direction arrow on the belt (in direction of engine revolution), and place matchmarks on the pulleys and belt as shown.

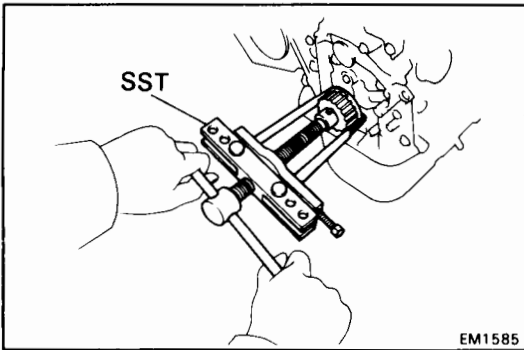


- (a) Loosen the idler pulley bolt, push it left as far as it will go and temporarily tighten it.  
(b) Remove the belt.



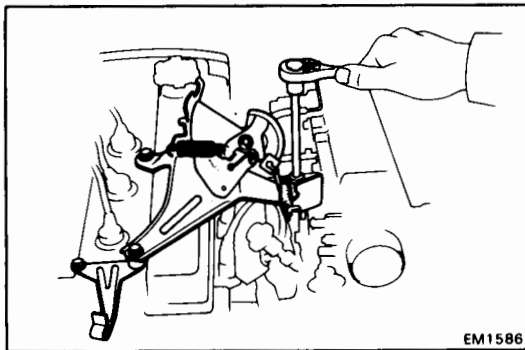
#### 13. REMOVE IDLER PULLEY AND TENSION SPRING

Remove the bolt, pulley and tension spring.

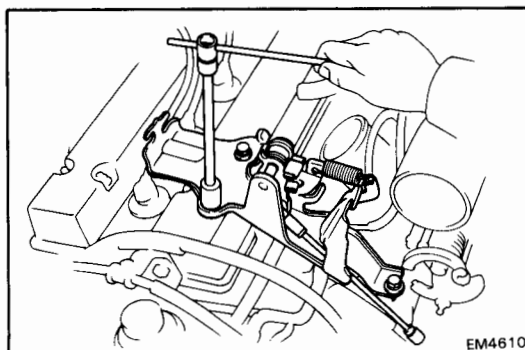
**14. REMOVE CRANKSHAFT TIMING PULLEY**

NOTE: If the pulley is difficult to remove by hand, remove using SST.

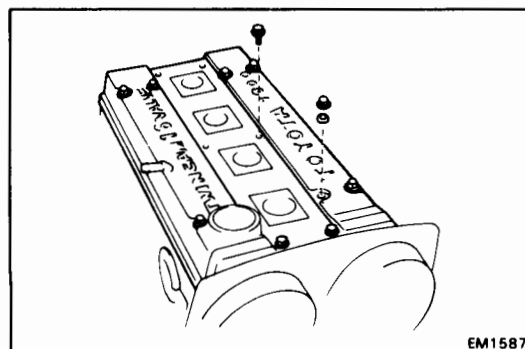
SST 09950-20017

**15. (4A-GZE)  
REMOVE OIL COOLER HOSE****16. (A/T vehicle)  
DISCONNECT A/T THROTTLE CABLE****17. DISCONNECT ACCELERATOR CABLE****18. (w/ Cruise control)  
DISCONNECT CRUISE CONTROL CABLE****19. REMOVE PCV HOSE****20. (4A-GE)  
REMOVE ACCELERATOR LINK AND SPEEDOMETER  
CABLE CLAMP**

Remove the four bolts, accelerator link and speedometer cable clamp.

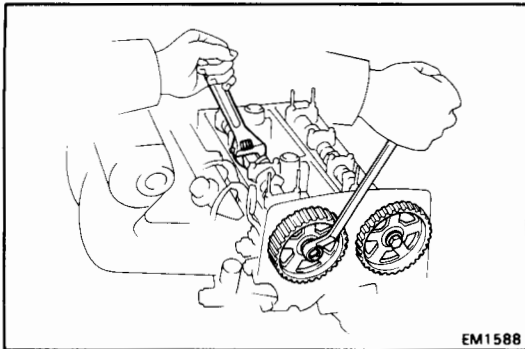
**21. (4A-GZE w/ Cruise control)  
REMOVE ACCELERATOR LINK**

Disconnect accelerator rod, and remove the three bolts and accelerator link.

**22. REMOVE CYLINDER HEAD COVERS****(a) Disconnect following wires:**

- Engine compartment cooling fan motor connector
- Noise filter connector
- Distributor wire connectors
- Oil pressure sender gauge connector
- (w/ A/C)  
Compressor connector

**(b) Remove the four bolts, center cover and gasket.****(c) Remove the eight cap nuts, seal washers, two head covers and gaskets.**

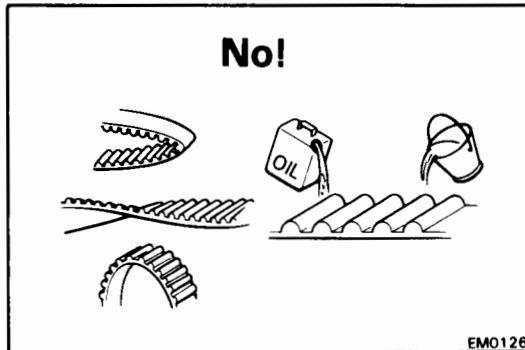


EM1588

### 23. REMOVE CAMSHAFT TIMING PULLEYS

Secure the hexagonal portion of the camshaft, remove the bolt, plate washer and pulley. Remove the two camshaft pulleys.

**CAUTION:** Be careful not to damage the cylinder head with the wrench.



EM0126

### INSPECTION OF TIMING BELT COMPONENTS

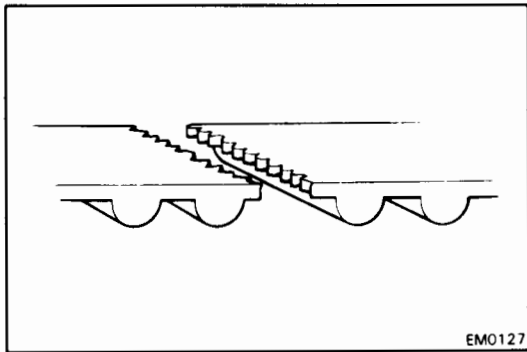
#### 1. INSPECT TIMING BELT

**CAUTION:**

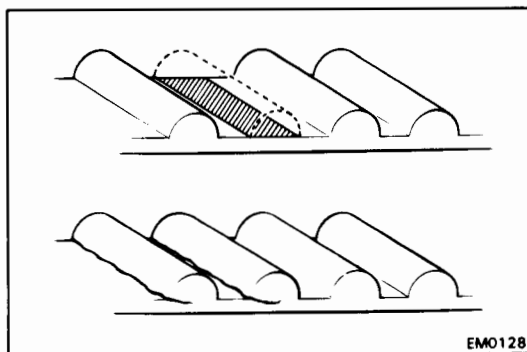
- Do not bend, twist or turn the timing belt inside out.
- Do not allow the timing belt to come into contact with oil, water or steam.
- Do not utilize timing belt tension when installing or removing the mount bolt of the camshaft timing pulley.

If there are defect as shown in the figures, check the following points:

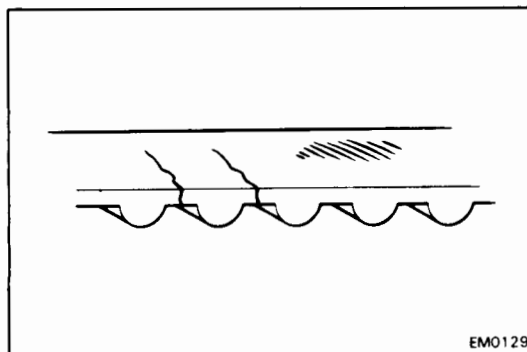
- (a) Premature parting
  - Check for proper installation.
  - Check timing cover gasket for damage and proper installation.
  
- (b) If the belt teeth are cracked or damaged, check to see if either the camshaft or water pump is locked.
  
- (c) If there is noticeable wear or cracks on the belt face, check to see if there nicks on side of the idler pulley lock.



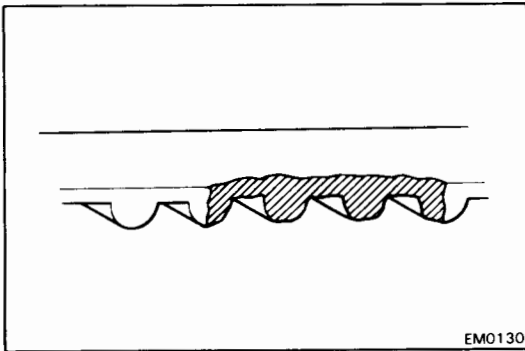
EM0127



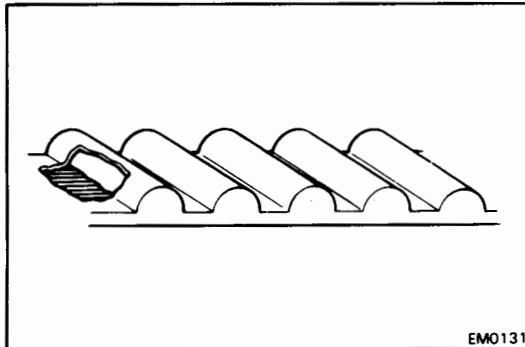
EM0128



EM0129

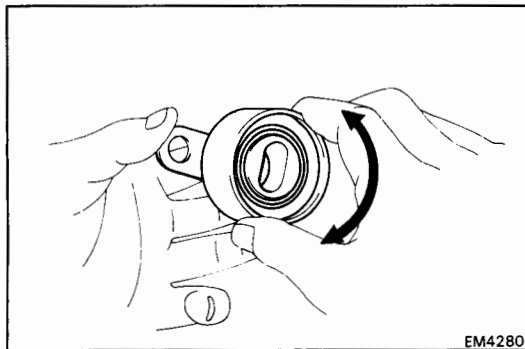


- (d) If there is wear or damage on only one side of the belt, check the belt guide and the alignment of the each pulley.



- (e) If there is noticeable wear on the belt teeth, check timing cover for damage and check for correct gasket installation. Check for foreign material on the pulley teeth.

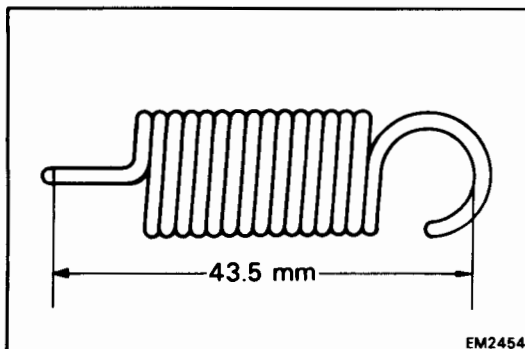
If necessary, replace the timing belt.



## 2. INSPECT IDLER PULLEY

Check the turning smoothness of the idler pulley.

If necessary, replace the idler pulley.



## 3. INSPECT TENSION SPRING

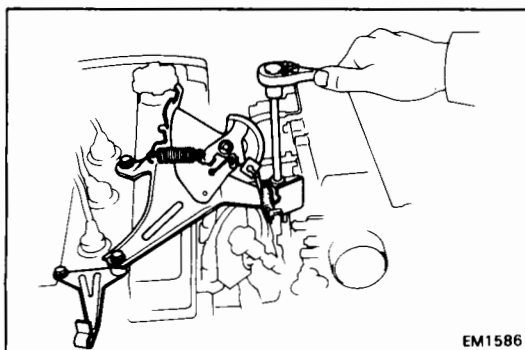
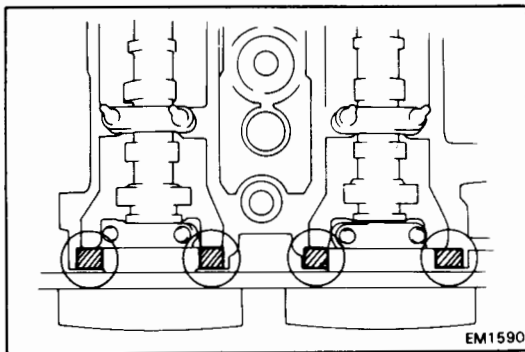
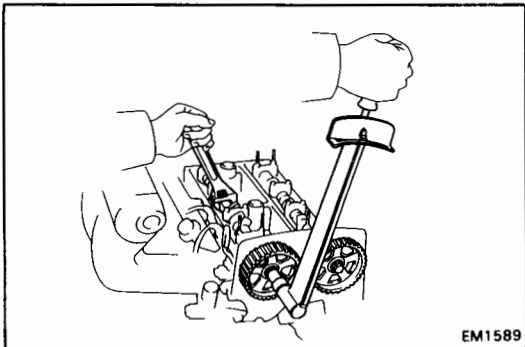
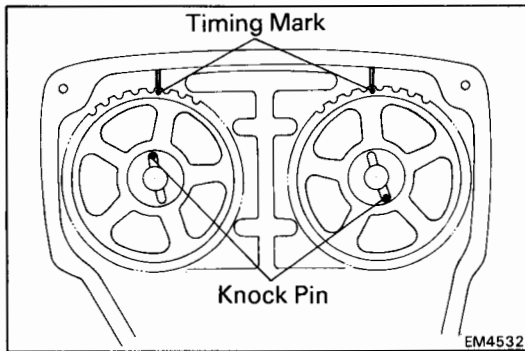
- (a) Measure the free length of the tension spring.

**Free length: 43.5 mm (1.713 in.)**

If the free length is not as specified, replace the tension spring.

- (b) Measure the tension of the tension spring at the specified installed length.

**Installed tension: 9.97 kg (22.0 lb, 98 N·m)  
at 50.2 mm (1.976 in.)**



## INSTALLATION OF TIMING BELT

(See page EM-15)

### 1. INSTALL CAMSHAFT TIMING PULLEYS

- Position the knock pin of the camshafts as shown in the figure.
- Align the camshaft knock pin with the knock pin groove of the pulley, and slide the pulley, facing the timing mark upward.
- Secure the hexagonal portion of the camshaft, and install the plate washer and bolt. Torque the bolt.

**Torque: 475 kg-cm (34 ft-lb, 47 N·m)**

**CAUTION:** Be careful not to damage the cylinder head with the wrench.

### 2. INSTALL CYLINDER HEAD COVERS WITH GASKET

- Apply seal packing to the cylinder head as shown in the figure.

**Seal packing: Part No. 08826-00080 or equivalent**

- Install the gaskets to the head covers.
- Install the two head covers with the four seal washers and cap nuts.

**Torque: 130 kg-cm (9 ft-lb, 13 N·m)**

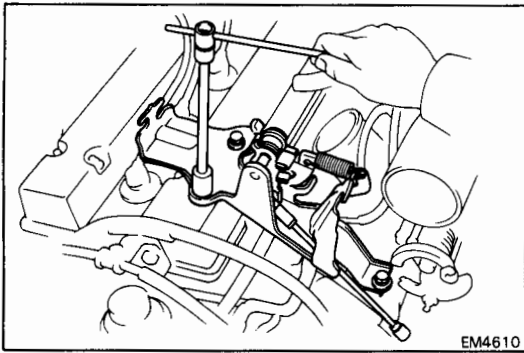
- Install the gasket to the center cover.
- Install the center cover with the four bolts.

Connect the following wires:

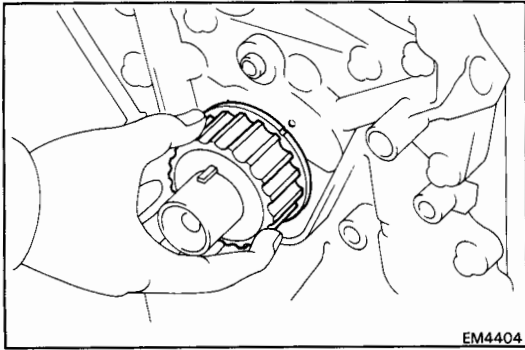
- Distributor wire connector
- Engine compartment cooling fan motor connector
- Oil pressure sender gauge connector
- (w/ A/C)  
Compressor connector
- Noise filter connector

### 3. (4A-GE) INSTALL ACCELERATOR LINK AND SPEEDOMETER CABLE CLAMP

Install the accelerator link and speedometer cable clamp with the four bolts.

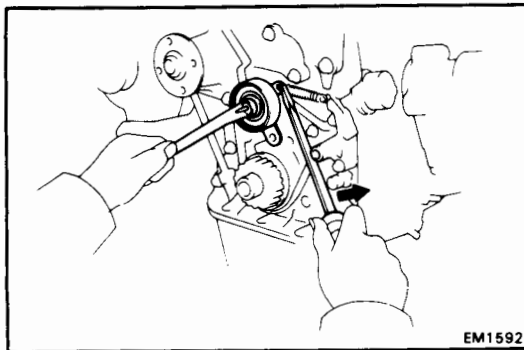


4. **(4A-GZE w/ Cruise control)  
INSTALL ACCELERATOR LINK**
  - (a) Install the accelerator link with the three bolts.
  - (b) Connect the accelerator rod.
5. **INSTALL PCV HOSE**
6. **(w/ Cruise control)  
CONNECT CRUISE CONTROL CABLE**
7. **CONNECT ACCELERATOR CABLE**
8. **(A/T vehicle)  
CONNECT A/T THROTTLE CABLE**
9. **(4A-GZE)  
INSTALL OIL COOLER HOSE**



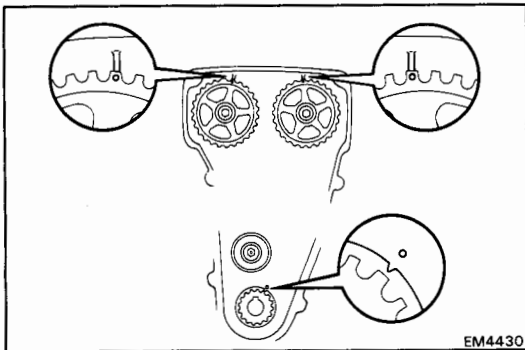
**10. INSTALL CRANKSHAFT TIMING PULLEY**

Align the pulley set key with the key groove of the pulley, and slide the pulley.



**11. TEMPORARILY INSTALL IDLER PULLEY AND TENSION SPRING**

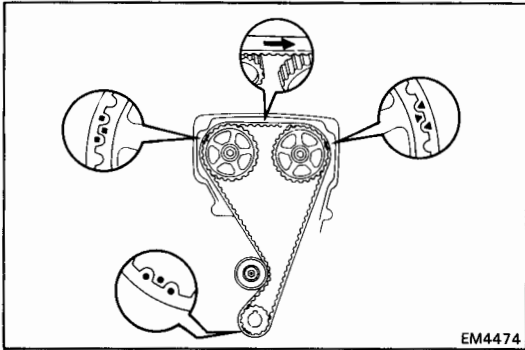
- (a) Install the pulley with the bolt. Do not tighten the bolt yet.
- (b) Install the tension spring.
- (c) Pry the pulley toward the left as far as it will go and tighten the bolt.



**12. SET NO. 1 CYLINDER TO TDC/COMPRESSION**

- (a) Align the timing marks of the camshaft timing pulleys and No. 4 timing belt cover by turning the camshafts.
- (b) Align the timing marks of the crankshaft timing pulley and oil pump body by turning the crankshaft.

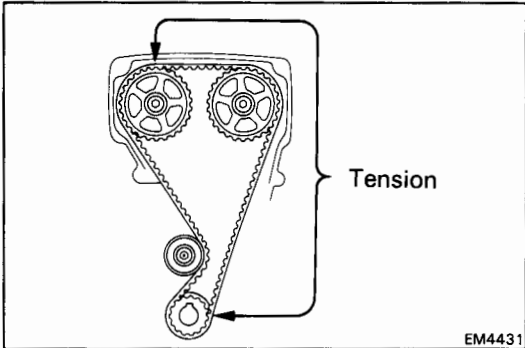




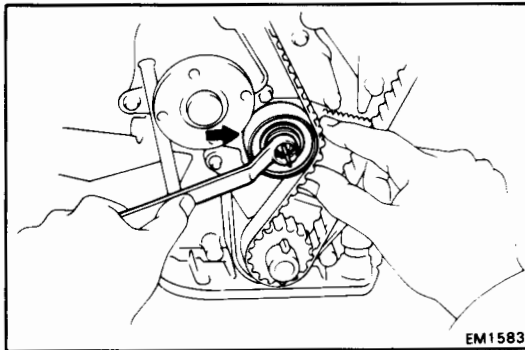
### 13. INSTALL TIMING BELT

**CAUTION:** The engine should be cold.

**NOTE:** If reusing the timing belt, align the points marked during removal, and install the belt with the arrow pointing in the direction of engine revolution.

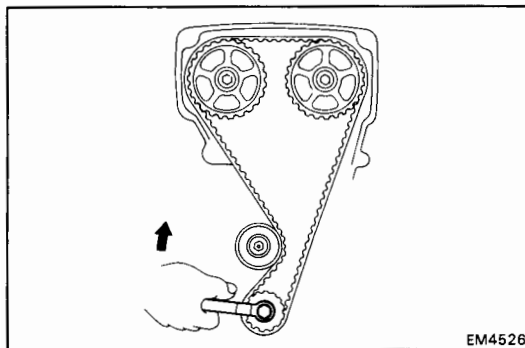


Install the timing belt, insuring the tension between the intake camshaft and crankshaft timing pulleys.



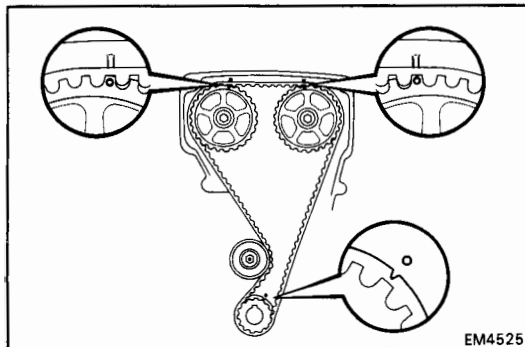
### 14. CHECK VALE TIMING AND TIMING BELT DEFLECTION

(a) Slowly loosen the idler pulley bolt.



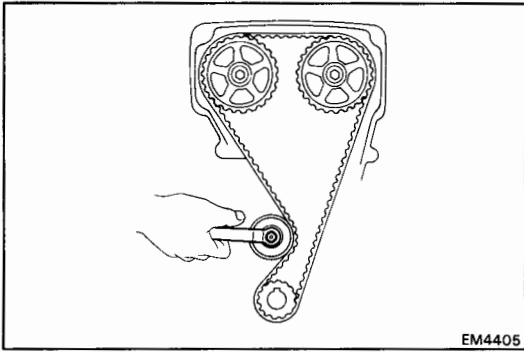
(b) Temporarily install the crankshaft pulley bolt, and turn the crankshaft pulley two revolutions from TDC to TDC.

**NOTE:** Always turn the crankshaft clockwise.

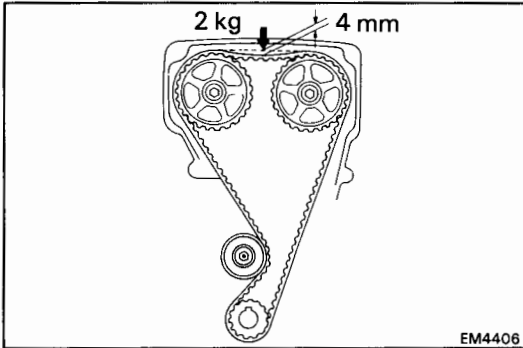


(c) Check that each pulley aligns with the timing marks as shown in the figure.

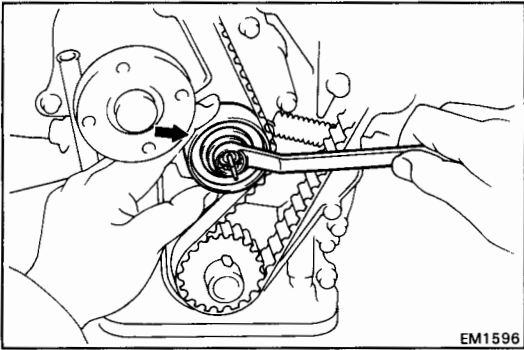
If the marks do not align, remove the timing belt and reinstall it.



- (d) Torque the idler pulley bolt.  
**Torque: 375 kg-cm (27 ft-lb, 37 N·m)**

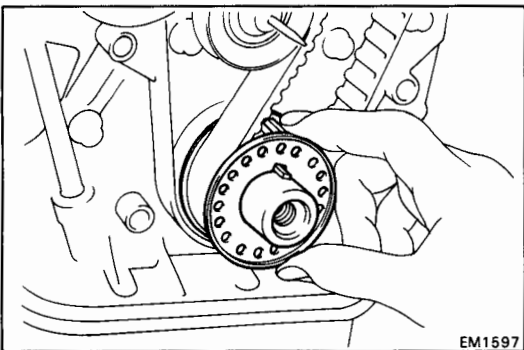


- (e) Check that there is belt deflection at the position indicated in the figure.  
**Deflection: 4 mm (0.16 in.) at 2 kg (4.4 lb, 20 N)**



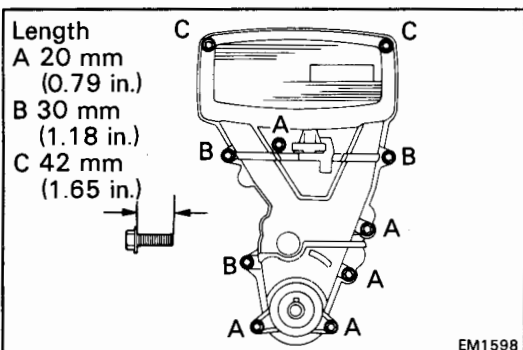
If the deflection is not as specified, adjust with the idler pulley.

- (f) Remove the temporarily installed crankshaft pulley bolt.



## 15. INSTALL TIMING BELT GUIDE

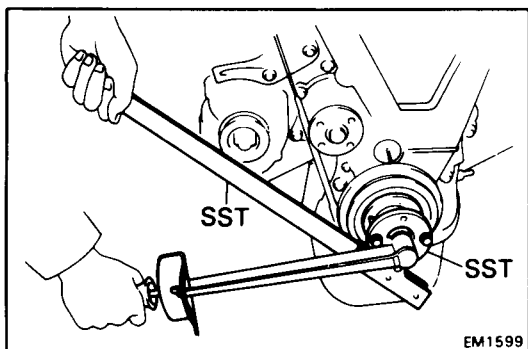
Install the guide, facing the cup side outward.



## 16. INSTALL TIMING BELT COVERS

- (a) Install the gaskets to the belt covers.  
 (b) Install the No. 1, No. 2 and No. 3 belt covers with the ten bolts.

**NOTE:** Each bolt length is indicated in the figure.

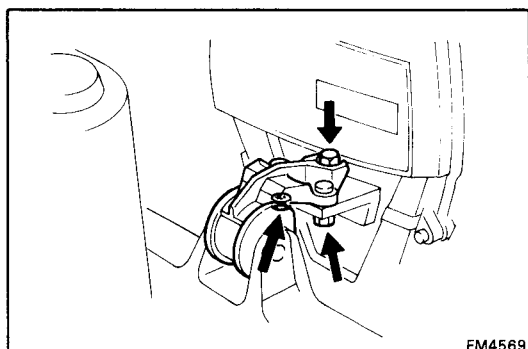
**17. INSTALL CRANKSHAFT PULLEY**

(a) Align the pulley set key with the key groove of the pulley, slide the pulley.

(b) Using SST, install and torque the the bolt.

SST 09213-70010 and 09330-00021

**Torque: 1,400 kg-cm (101 ft-lb, 137 N·m)**

**18. INSTALL RH ENGINE MOUNTING INSULATOR**

(a) Install the RH engine mounting insulator to the engine with the two nuts and bolt.

(b) Align the RH mounting insulator into the bracket and temporarily install the mounting through bolt.

(c) Lower the engine and remove the jack.

(d) Tighten the mounting through bolt.

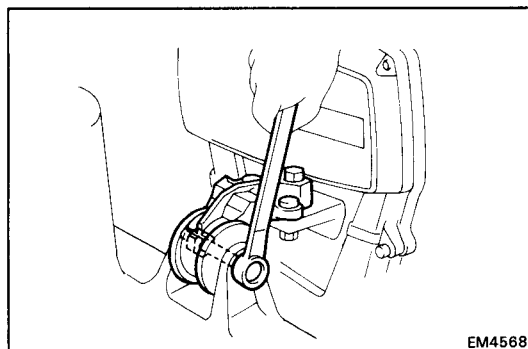
**Torque: 600 kg-cm (43 ft-lb, 58 N·m)**

(e) (4A-GE w/ Cruise control)

Connect the cruise control vacuum hose to the intake manifold.

(f) Connect the brake booster vacuum hose to the intake manifold.

(g) Connect the high-tension cords to the ignition coil.

**19. INSTALL SPARK PLUGS**

(See page IG-6)

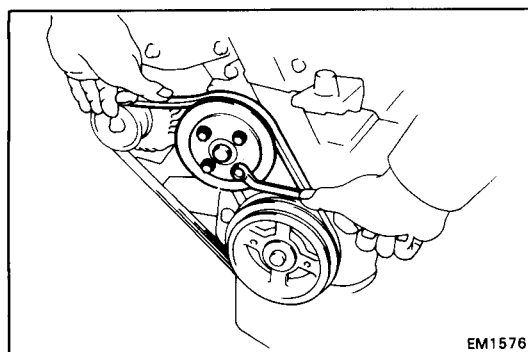
**20. INSTALL WATER PUMP PULLEY AND DRIVE BELT**

(a) Install the water pump pulley with the four bolts.

(b) Install and adjust drive belts.

(See page MA-4)

(c) Stretch the belt tight and tighten the four pulley bolt.

**21. (4A-GZE)**

**INSTALL AND ADJUST ALTERNATOR DRIVE BELT**

(See page MA-4)

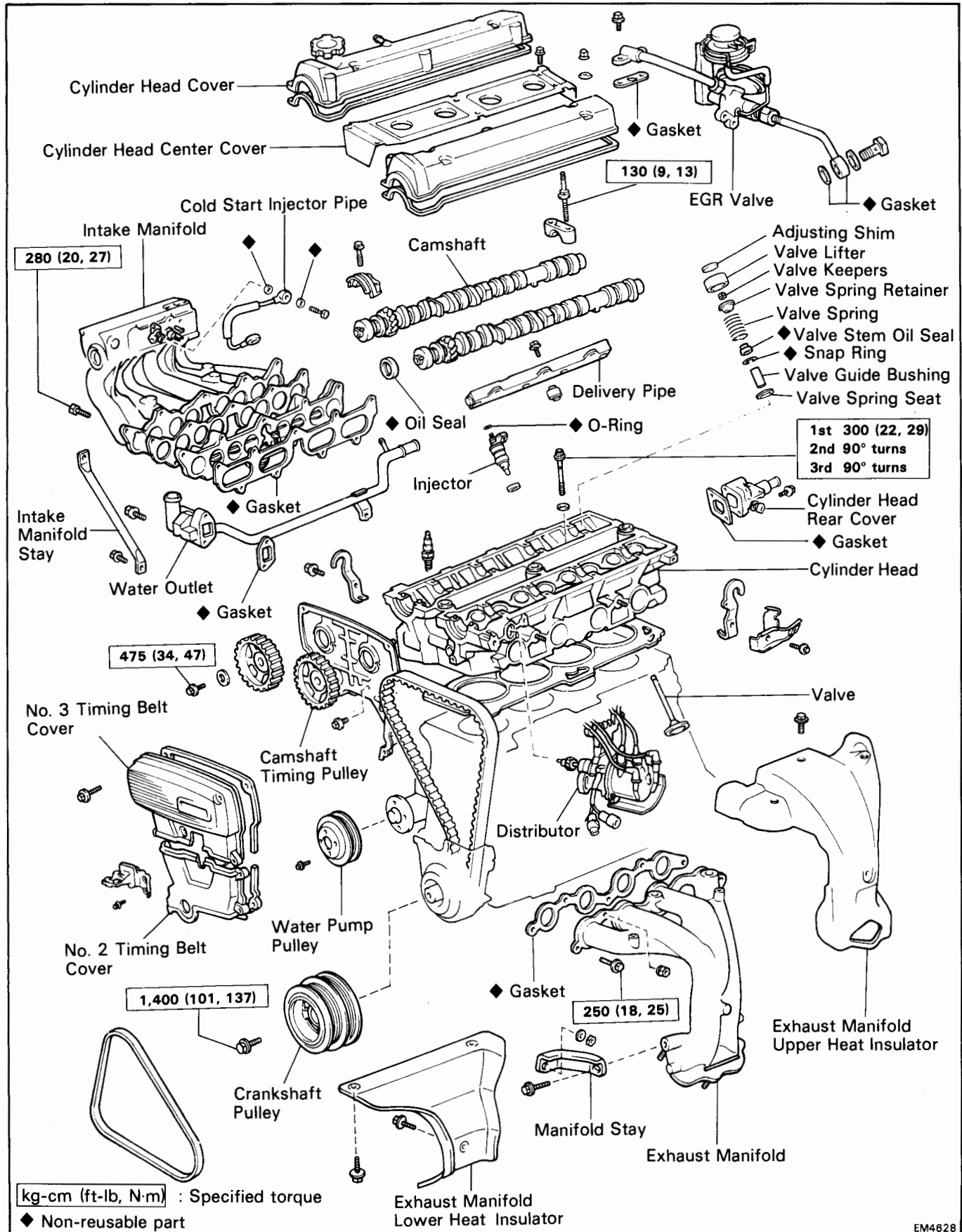
**22. (4A-GE with A/C)**

**INSTALL AND ADJUST A/C DRIVE BELT**

(See page MA-4)

**23. INSTALL ENGINE UNDER COVER****24. INSTALL RH WHEEL**

# CYLINDER HEAD (4A-GE) COMPONENTS



**REMOVAL OF CYLINDER HEAD**

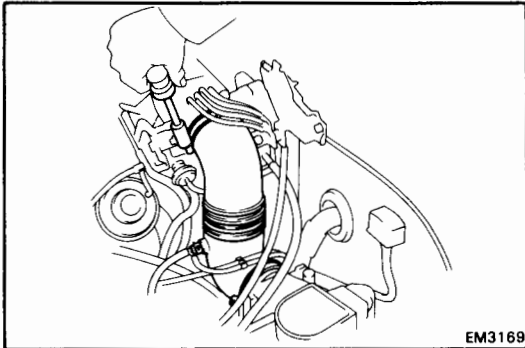
(See page EM-26)

1. **DISCONNECT CABLE FROM NEGATIVE TERMINAL OF BATTERY**

2. **REMOVE ENGINE HOOD**

3. **REMOVE ENGINE UNDER COVER**

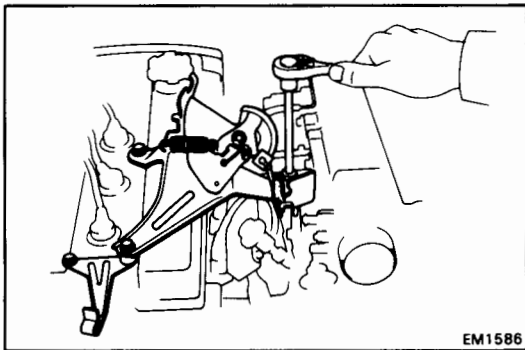
4. **DRAIN ENGINE COOLANT**  
(See page CO-3)



5. **REMOVE AIR RESONATOR**

6. **REMOVE NO. 1 AIR CLEANER HOSE**

- (a) Disconnect the vacuum hose from the air cleaner hose.
- (b) Disconnect the VSV and air flow meter connector.
- (c) Loosen the two clamp bolts and remove the air cleaner hose.



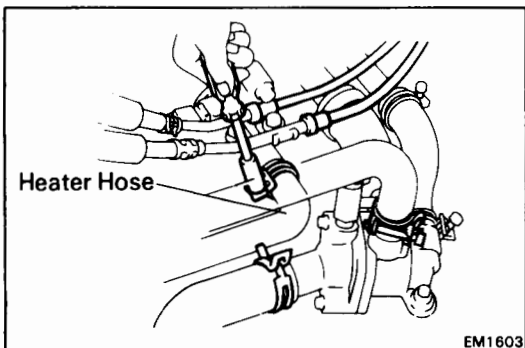
7. **REMOVE ACCELERATOR LINK AND SPEEDOMETER CABLE CLAMP**

- (a) (w/ Cruise control)  
Disconnect the cruise control cable.
- (b) Disconnect the accelerator cable and connecting rod.
- (c) Remove the four bolts, accelerator link and speedometer cable clamp.

8. **DISCONNECT FOLLOWING VACUUM HOSES:**

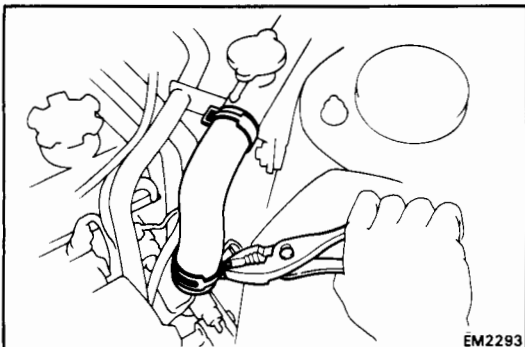
- Brake booster hose
- (w/ Cruise control)  
Cruise control vacuum hose from intake manifold

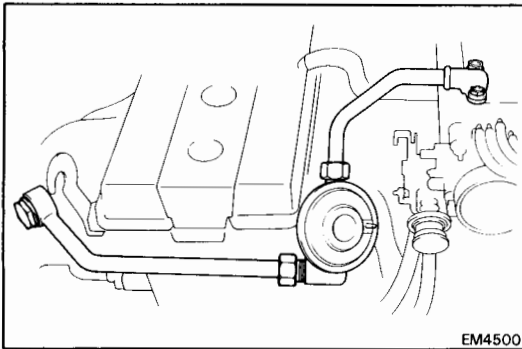
9. **DISCONNECT HEATER HOSE FROM CYLINDER HEAD REAR COVER**



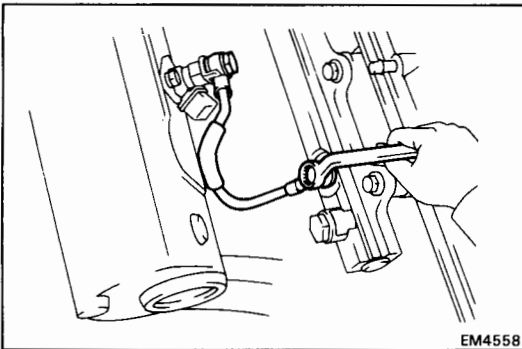
10. **DISCONNECT NO. 1 RADIATOR HOSE FROM WATER OUTLET HOUSING**

11. **REMOVE PCV HOSE**



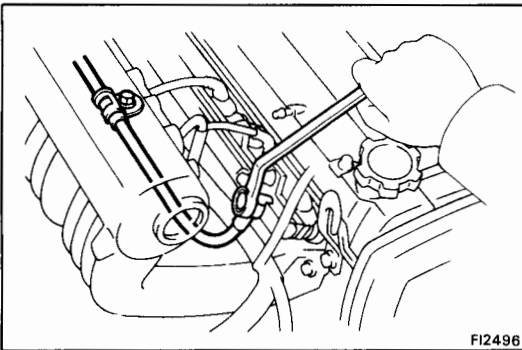
**12. REMOVE EGR VALVE WITH PIPES**

- (a) Remove the EGR vacuum modulator and bracket.
- (b) Remove the accelerator cable clamp from the engine hanger.
- (c) Remove the union bolt, four bolts and EGR valve with pipes and gaskets.

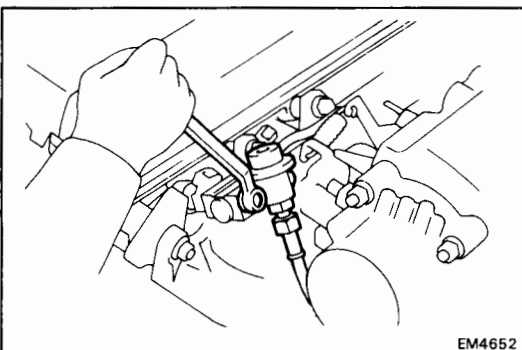
**13. REMOVE COLD START INJECTOR PIPE**

- (a) Disconnect the cold start injector connector.
- (b) Remove the two union bolts, cold start injector pipe and four gaskets.

NOTE: Slowly loosen the union bolts.

**14. REMOVE NO. 1 FUEL PIPE**

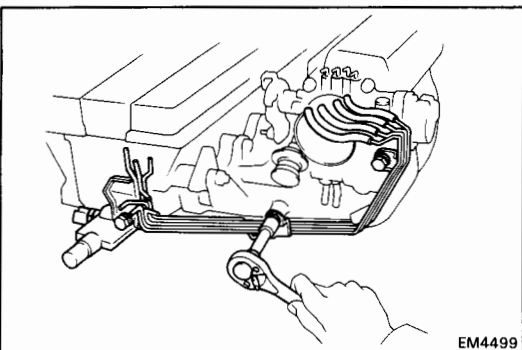
- (a) Remove the union bolt and two gaskets, and disconnect the No. 1 fuel pipe from the delivery pipe.
- (b) Remove the two bolts and disconnect the No. 1 fuel pipe from the intake manifold and cylinder head rear cover.

**15. REMOVE PRESSURE REGULATOR**

- (a) Disconnect the vacuum hose.
- (b) Disconnect the fuel hose from the No. 2 fuel pipe.
- (c) Remove the bolt, and disconnect the No. 2 fuel pipe from the cylinder head rear cover.
- (d) Remove the two bolts and pressure regulator with the No. 2 fuel pipe.

**16. DISCONNECT HIGH-TENSION CORDS FROM IGNITION COIL****17. DISCONNECT NO. 2 AND NO. 3 WATER BY-PASS HOSES FROM AUXILIARY AIR VALVE****18. REMOVE VACUUM PIPE AND CYLINDER HEAD REAR COVER**

- (a) Disconnect the water temp. sensor connector.
- (b) (w/ A/C)  
Disconnect the water temp. switch connector.
- (c) Remove the vacuum hoses from the vacuum pipe.
- (d) Remove the four bolts, vacuum pipe, cylinder head rear cover and wire clamp.

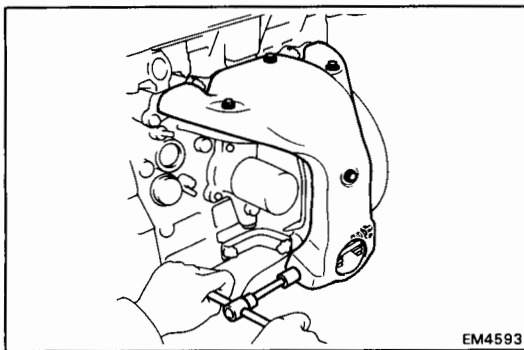


**19. DISCONNECT FOLLOWING CONNECTORS AND WIRES:**

- Engine compartment wire connector from the engine compartment main wire
- Cold start injector time switch connector
- Engine compartment cooling fan temp. sensor connector
- Throttle position sensor connector
- (w/ A/C)  
VSV connector (for pressure regulator)
- Injector connectors
- Ground strap from intake manifold
- Two igniter connectors
- Ground strap (between cylinder head and body)
- Noise filter connector
- Engine compartment cooling fan motor connector
- EGR gas temperature sensor connector (Calif. only)
- Water temp. sender gauge connector
- (w/ A/C)  
Compressor connector
- Oil pressure sender gauge connector
- Starter wire and connector
- VSV connector (for T-VIS)
- Alternator wire and connector

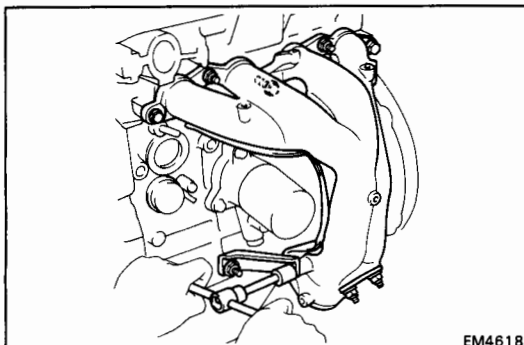
**20. LAY WIRE HARNESS TO ONE SIDE WITHOUT DISCONNECTING IT FROM ENGINE****21. REMOVE DISTRIBUTOR****22. (w/ A/C)  
REMOVE A/C DRIVE BELT AND IDLER PULLEY****23. REMOVE DRIVE BELT AND WATER PUMP PULLEY  
(See page EM-15)****24. REMOVE FRONT EXHAUST PIPE  
(See page LU-5)****25. REMOVE EXHAUST MANIFOLD**

- (a) Remove the six bolts and upper heat insulator.

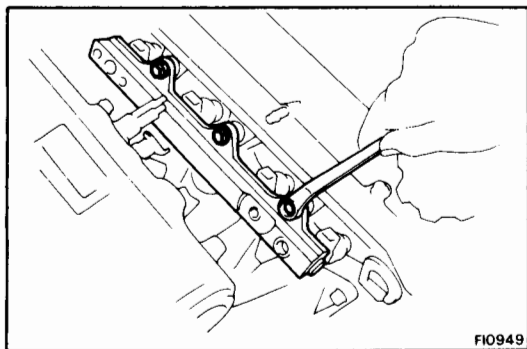


EM4593

- (b) Remove the bolt, nut and manifold stay.  
 (c) Remove the three bolts, two nuts exhaust manifold and gasket.  
 (d) Remove the three bolts and lower insulator.



EM4618

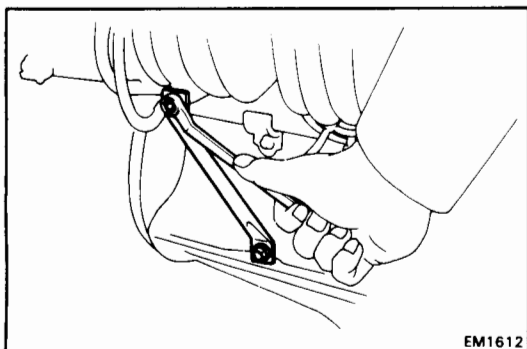


## 26. REMOVE DELIVERY PIPE WITH INJECTORS

- (a) Remove the three bolts, and then remove the delivery pipe with the injectors.

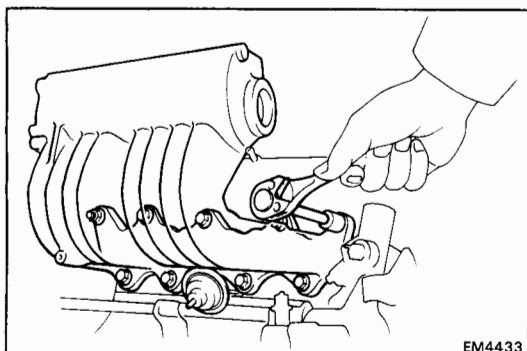
NOTE: When removing the delivery pipe, be careful not to drop the injectors.

- (b) Remove the four insulators and three spacers from the cylinder head.

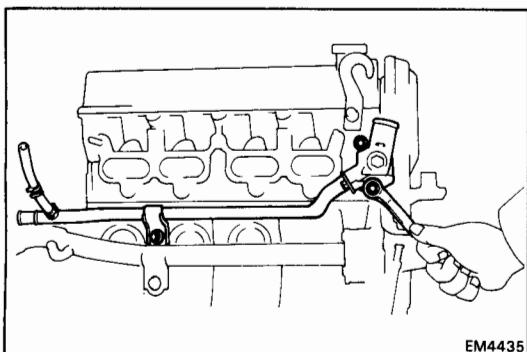


## 27. REMOVE INTAKE MANIFOLD AND INTAKE AIR CONTROL VALVE

- (a) Remove the manifold stay.
- (b) Disconnect the vacuum hose from the intake air control valve.
- (c) Remove the two bolts and VSV with vacuum tank.



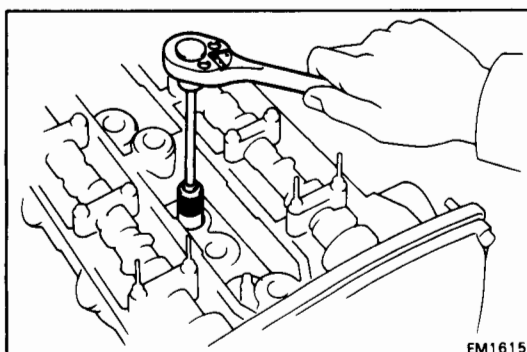
- (d) Remove the two nuts and seven bolts.
- (e) Remove the manifold and air control valve with the gaskets.



## 28. REMOVE WATER OUTLET WITH NO. 1 BY-PASS PIPE AND DRIVE BELT ADJUSTING BAR

- (a) Disconnect the water by-pass hose.
- (b) Remove the three bolts, water outlet with the No. 1 by-pass pipe, drive belt adjusting bar and gasket.

## 29. REMOVE CYLINDER HEAD COVERS (See steps 19 to 22 on page EM-18)

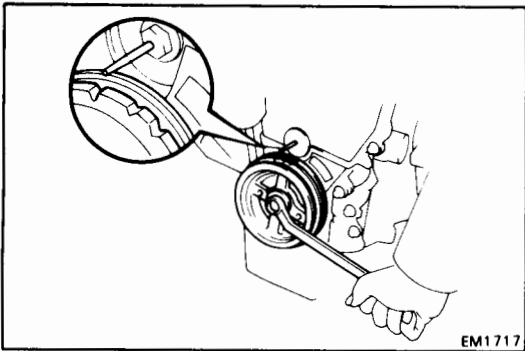


## 30. REMOVE SPARK PLUGS

Using plug wrench (16 mm), remove the spark plugs.

## 31. INSPECT VALVE CLEARANCE (See page EM-7)

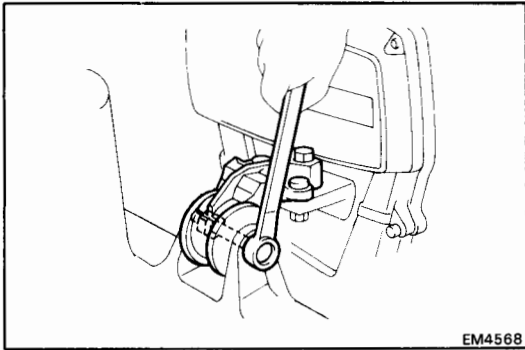




EM1717

**32. SET NO. 1 CYLINDER TO TDC/COMPRESSION**

- (a) Turn the crankshaft pulley and align its groove with the idler pulley bolt.
- (b) Check that the valve lifters on the No. 1 cylinder are loose. If not, turn the crankshaft pulley one complete revolution.



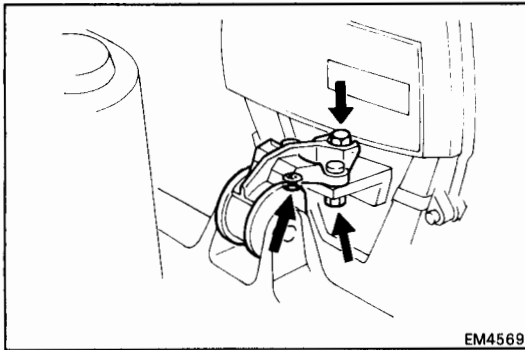
EM4568

**33. REMOVE RH ENGINE MOUNTING INSULATOR**

- (a) Slightly raise the engine with a jack.

**NOTE:** Place a wooden block between the jack and engine.

- (b) Remove the mounting through bolt.

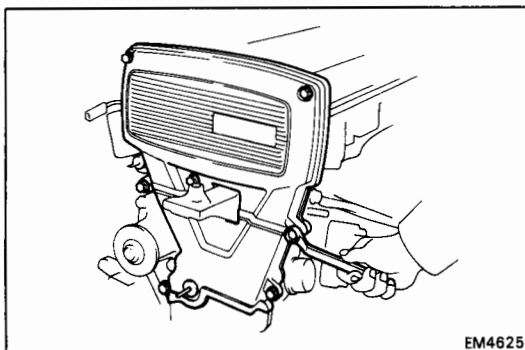


EM4569

- (c) Remove the two nuts, bolt and RH engine mounting insulator.

**34. REMOVE CRANKSHAFT PULLEY**

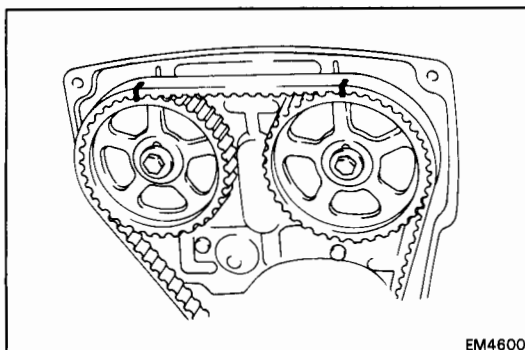
(See step 9 on page EM-16)



EM4625

**35. REMOVE NO. 3 AND NO. 2 TIMING BELT COVERS WITH GASKETS**

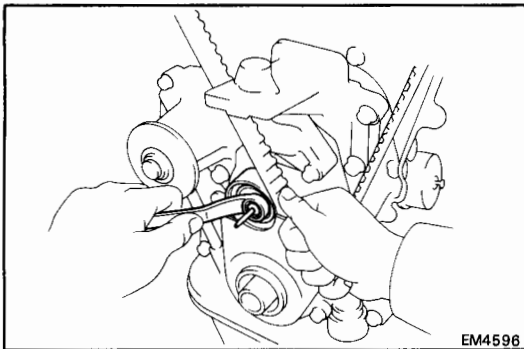
Remove the seven bolts, No. 3 and No. 2 timing belt covers.



EM4600

**36. REMOVE TIMING BELT FROM CAMSHAFT TIMING PULLEYS**

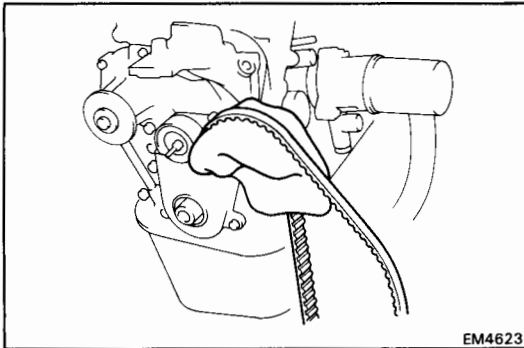
Place matchmarks on the camshaft timing pulleys and belt.



EM4596

### 37. REMOVE TIMING BELT FROM CAMSHAFT TIMING PULLEYS

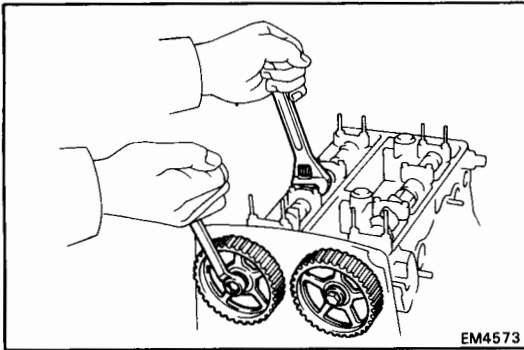
- Loosen the idler pulley bolt, push it left as far as it will go and then temporarily tighten it.
- Remove the timing belt from the camshaft timing pulleys.



EM4623

#### NOTE:

- Support the belt so the meshing of the crankshaft timing pulley and timing belt does not shift.
- Be careful not to drop anything inside the timing belt cover.
- Do not allow the belt to come into contact with oil, water or dust.

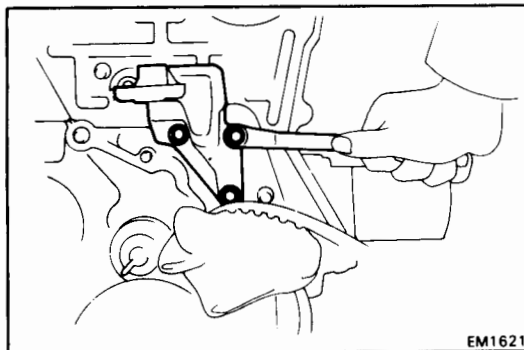


EM4573

### 38. REMOVE CAMSHAFT TIMING PULLEYS

Secure the hexagonal portion of the camshaft, remove the bolt, plate washer and pulley. Remove the two camshaft pulleys.

**CAUTION:** Be careful not to damage the cylinder head with the wrench.



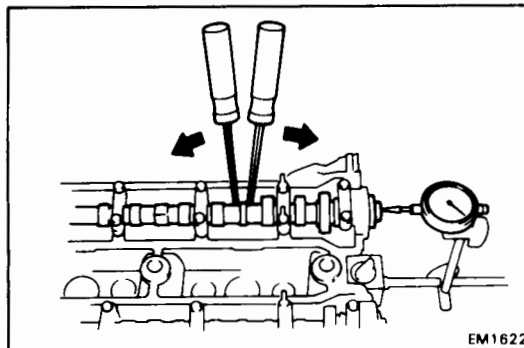
EM1621

### 39. REMOVE RH MOUNTING BRACKET

Remove the three bolts and bracket.

### 40. REMOVE NO. 4 TIMING BELT COVER

Remove the seven bolts and No. 4 timing belt cover.



EM1622

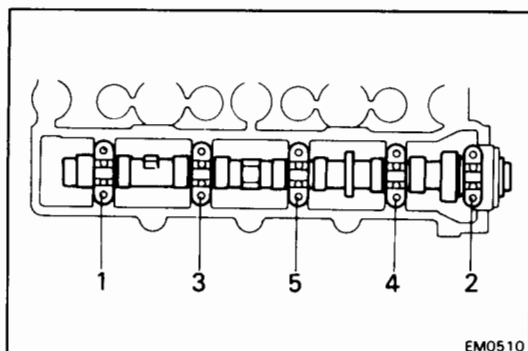
### 41. INSPECT CAMSHAFT THRUST CLEARANCE

Using a dial indicator, measure the thrust clearance while moving the camshaft back and forth.

**Standard clearance:** 0.08 – 0.19 mm  
(0.0031 – 0.0075 in.)

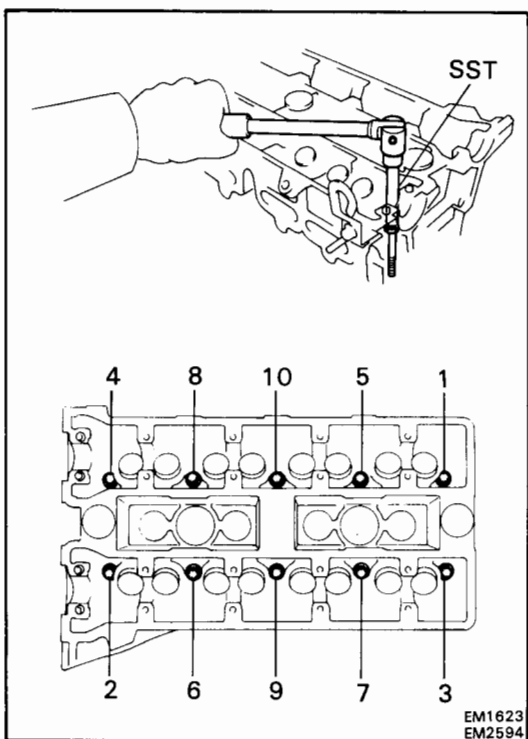
**Maximum clearance:** 0.30 mm (0.0118 in.)

If clearance is greater than maximum, replace the camshaft and/or cylinder head.

**42. REMOVE CAMSHAFTS**

- (a) Uniformly loosen and remove the bearing cap bolts in several passes, in the sequence shown.
- (b) Remove the bearing caps, oil seal and camshaft.

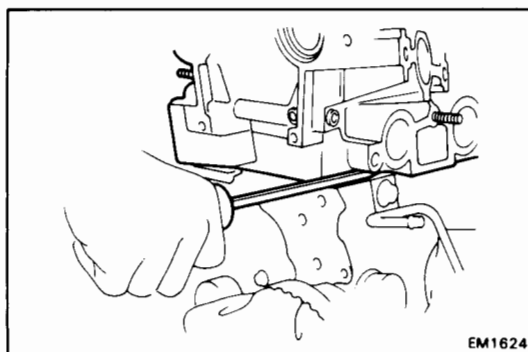
NOTE: Arrange the intake and exhaust camshafts.

**43. REMOVE CYLINDER HEAD**

- (a) Using SST, uniformly loosen and remove the ten cylinder head bolts in several passes, in the sequence shown.

SST 09205-16010

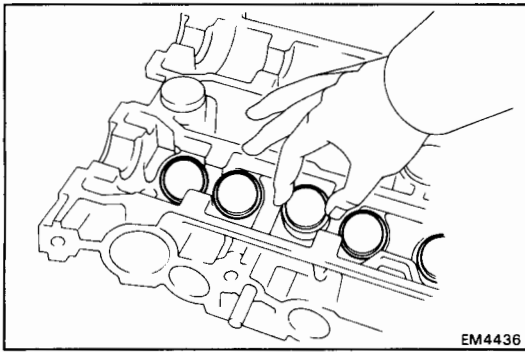
**CAUTION:** Head warpage or cracking could result from removing bolts in incorrect order.



- (b) Lift the cylinder head from the dowels on the cylinder block and place the head on wooden blocks on a bench.

NOTE: If the cylinder head is difficult to lift off, pry with a screwdriver between the cylinder head and block saliences.

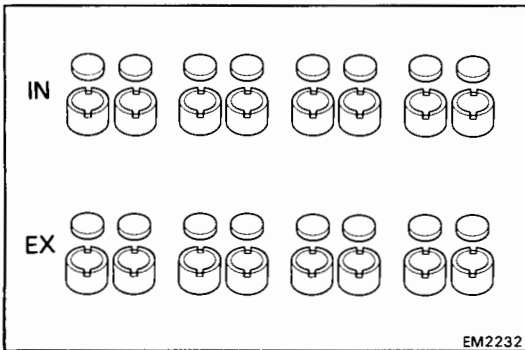
**CAUTION:** Be careful not to damage the cylinder head and cylinder block surfaces of cylinder head gasket side.



## DISASSEMBLY OF CYLINDER HEAD

(See page EM-26)

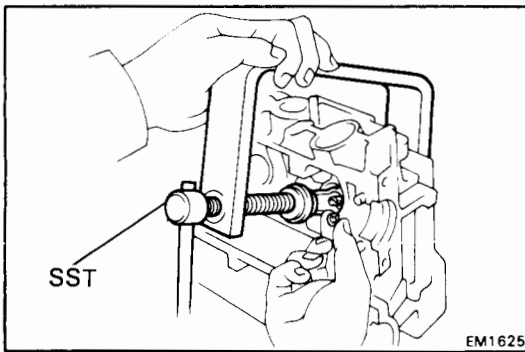
### 1. REMOVE VALVE LIFTERS AND SHIMS



NOTE: Arrange the valve lifters and shims in correct order.

### 2. REMOVE GROUND STRAP AND RH ENGINE HANGER

### 3. REMOVE ENGINE ROOM TEMP. SENSOR BRACKET AND LH ENGINE HANGER

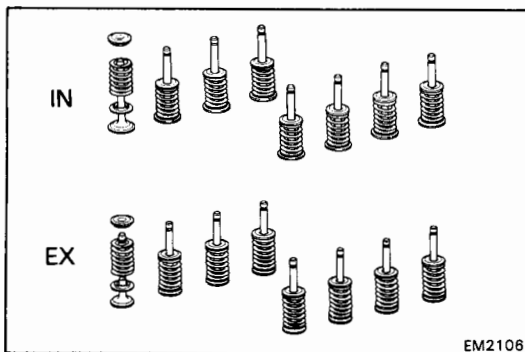


### 4. REMOVE VALVES

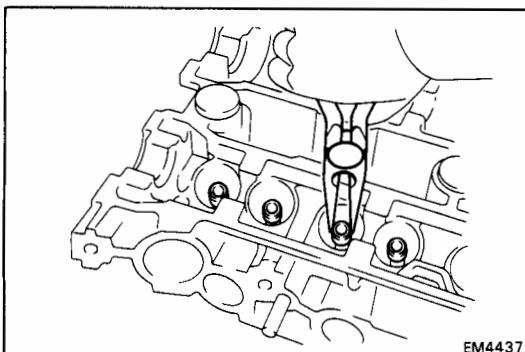
(a) Using SST, compress the valve spring and remove the two keepers.

SST 09202-70010

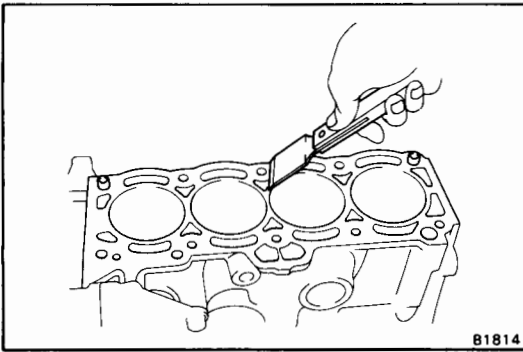
(b) Remove the spring retainer, valve spring, valve and spring seat.



NOTE: Arrange the valves, valve springs, spring seats and spring retainers in correct order.



(c) Using needle-nose pliers, remove the oil seal.

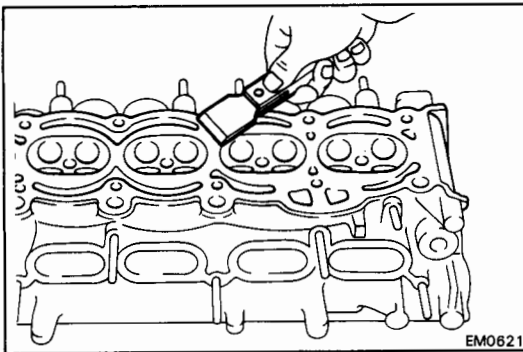


## INSPECTION, CLEANING AND REPAIR OF CYLINDER HEAD COMPONENTS

### 1. CLEAN TOP OF PISTONS AND TOP OF BLOCK

- (a) Turn the crankshaft and bring each piston to top dead center (TDC). Using a gasket scraper, remove all the carbon from the piston top.
- (b) Remove all the gasket material from the top of the cylinder block.
- (c) Using compressed air, blow carbon and oil from the bolt holes.

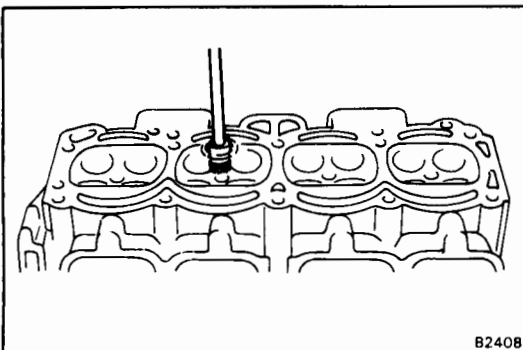
**WARNING:** Protect your eyes when using high pressure air.



### 2. REMOVE GASKET MATERIAL

Using a gasket scraper, remove all gasket material from the head and manifold surfaces.

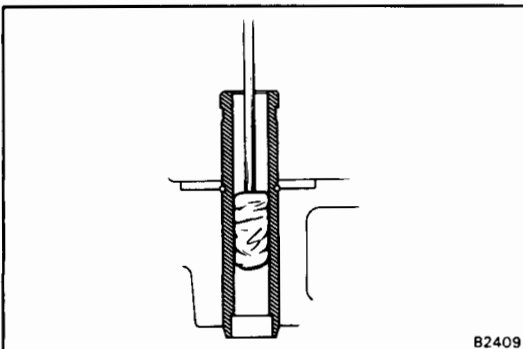
**CAUTION:** Be careful not to scratch the surfaces.



### 3. CLEAN COMBUSTION CHAMBER

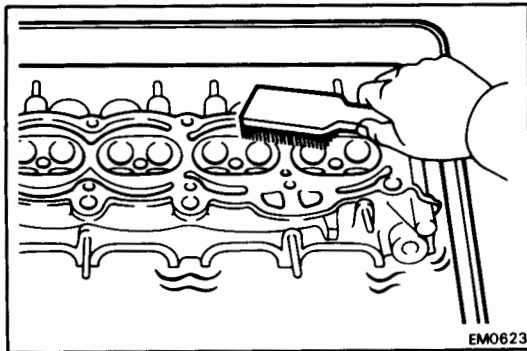
Using a wire brush, remove all the carbon from the combustion chambers.

**CAUTION:** Be careful not to scratch the head gasket contact surfaces.



### 4. CLEAN VALVE GUIDE BUSHINGS

Using a valve guide brush and solvent, clean all the valve guide bushings.

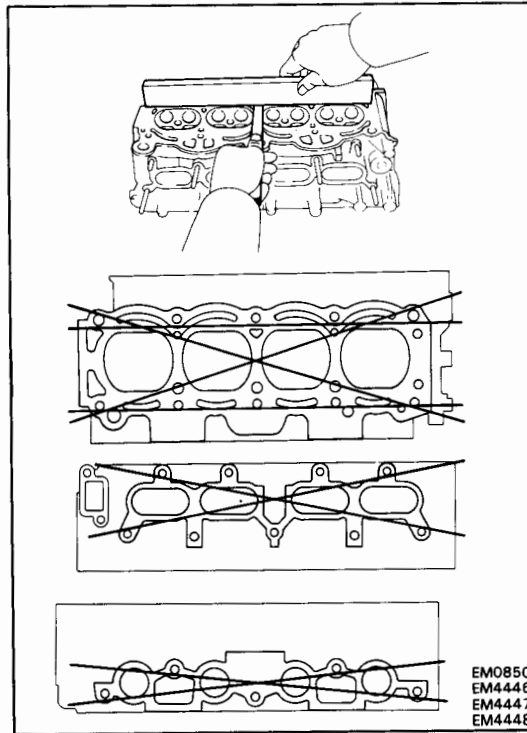


EM0623

### 5. CLEAN CYLINDER HEAD

Using a soft brush and solvent, thoroughly clean the head.

**CAUTION:** Do not clean the head in a hot tank as this would seriously damage it.

EM0850  
EM4446  
EM4447  
EM4448

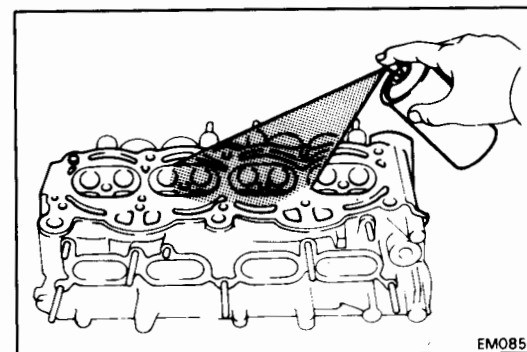
### 6. INSPECT CYLINDER HEAD FOR FLATNESS

Using a precision straight edge and feeler gauge, measure the surfaces contacting the cylinder block and manifold for warpage.

**Maximum surface warpage:**

Cylinder block side	0.05 mm (0.0020 in.)
Intake manifold side	0.05 mm (0.0020 in.)
Exhaust manifold side	0.10 mm (0.0039 in.)

If warpage is greater than maximum, replace the cylinder head.

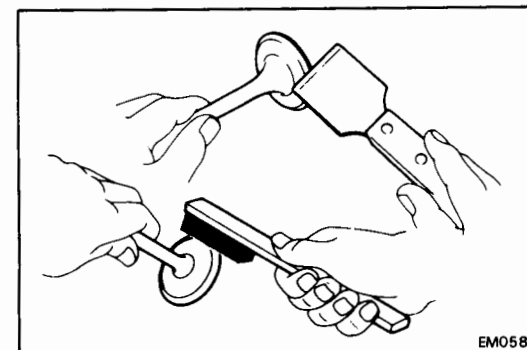


EM0851

### 7. INSPECT CYLINDER HEAD FOR CRACKS

Using a dye penetrant, check the combustion chamber, intake and exhaust ports, head surface and the top of the head for cracks.

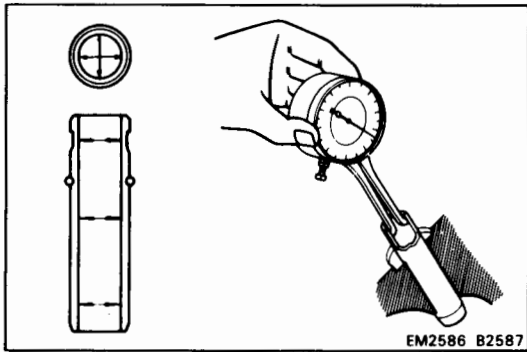
If a crack is found, replace the head.



EM0580

### 8. CLEAN VALVES

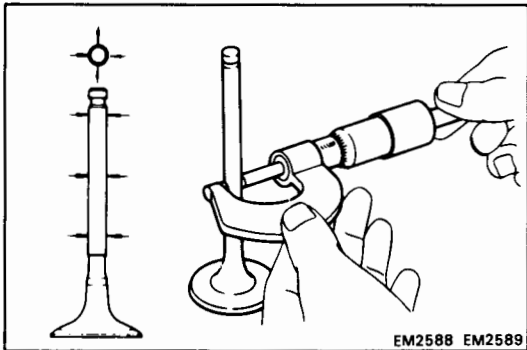
- Using a gasket scraper, chip any carbon from the valve.
- Using a wire brush, thoroughly clean the valve.

**9. INSPECT VALVE STEM AND GUIDE BUSHINGS**

- (a) Using a caliper gauge, measure the inside diameter of the guide bushing.

**Bushing inside diameter:**

**6.010 – 6.030 mm (0.2366 – 0.2374 in.)**



- (b) Using a micrometer, measure the diameter of the valve stem.

**Valve stem diameter**

**Intake 5.970 – 5.985 mm  
(0.2350 – 0.2356 in.)**

**Exhaust 5.965 – 5.980 mm  
(0.2348 – 0.2354 in.)**

- (c) Subtract the valve stem measurement from the valve guide bushing measurement.

**Standard stem oil clearance:**

**Intake 0.025 – 0.060 mm  
(0.0010 – 0.0024 in.)**

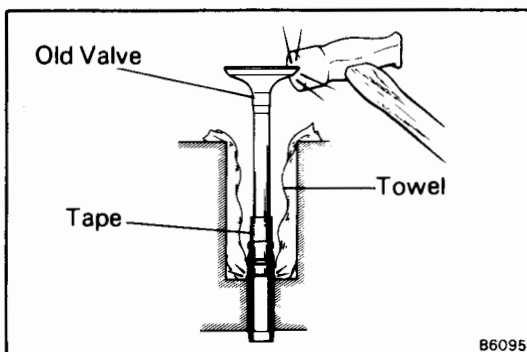
**Exhaust 0.030 – 0.065 mm  
(0.0012 – 0.0026 in.)**

**Maximum stem oil clearance:**

**Intake 0.08 mm (0.0031 in.)**

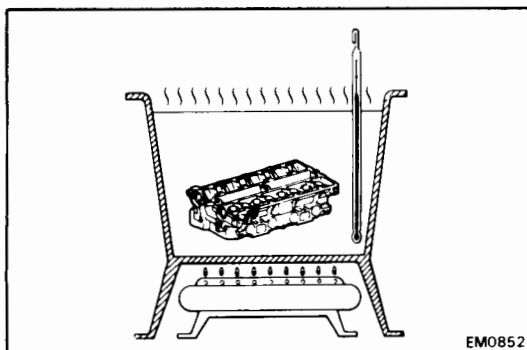
**Exhaust 0.10 mm (0.0039 in.)**

If the clearance more than maximum, replace the valve and guide bushing.

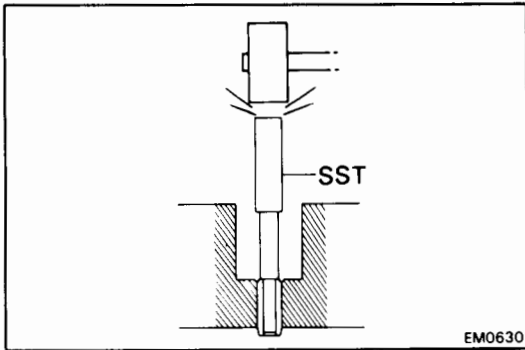
**10. IF NECESSARY, REPLACE VALVE GUIDE BUSHING**

- (a) Insert an old valve wrapped with tape into the valve guide bushing and break off the valve guide bushing by hitting it with a hammer.

**CAUTION: Be careful not to damage the liter port.**

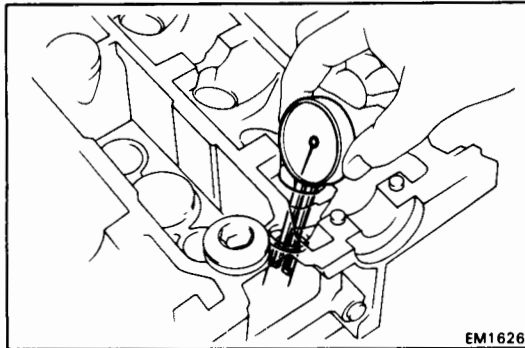


- (b) Gradually heat the cylinder head to 80 – 100°C (176 – 212°F).



- (c) Using SST and a hammer, drive out the valve guide bushing.

SST 09201-70010



- (d) Using a caliper gauge, measure the valve guide bore of the cylinder head.

**Standard valve guide bore (cold):**

**11.000 – 11.027 mm (0.4331 – 0.4341 in.)**

Both intake and exhaust

Bushing bore mm (in.)	Bushing size
11.000 – 11.027 (0.4331 – 0.4341)	Use STD
Over 11.027 (0.4341)	Use O/S 0.05

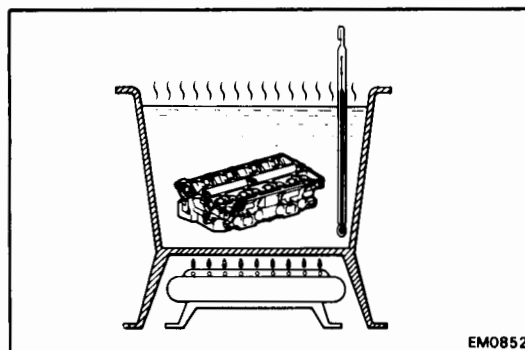
- (e) Select a new guide bushing (STD size or O/S 0.05).

If the bushing bore diameter of the cylinder head is greater than 11.027 mm (0.4341 in.), machine the bushing bore to the following dimension:

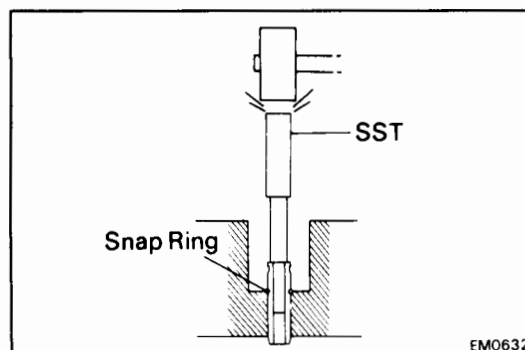
**Rebored cylinder head bushing bore dimension:**

**11.050 – 11.077 mm (0.4350 – 0.4361 in.)**

If the bushing bore diameter of the cylinder head is greater than 11.077 mm (0.4361 in.), replace the cylinder head.



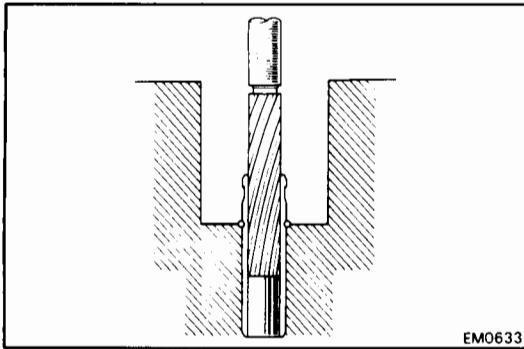
- (f) Gradually heat the cylinder head to 80 – 100°C (176 – 212°F).



- (g) Using SST and a hammer, drive in a new valve guide bushing until the snap ring makes contact with the cylinder head.

SST 09201-70010

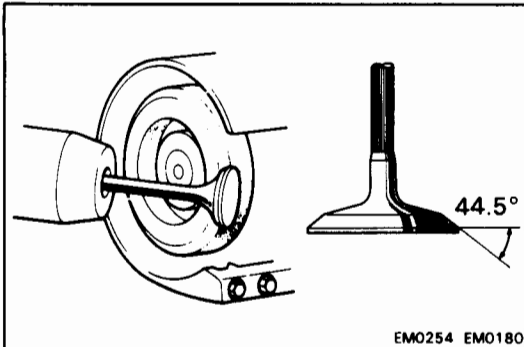




- (h) Using a sharp 6 mm reamer, ream the valve guide bushing to obtain specified clearance between the valve guide bushing and new valve stem.

**Intake clearance:** 0.025 – 0.060 mm  
(0.0010 – 0.0024 in.)

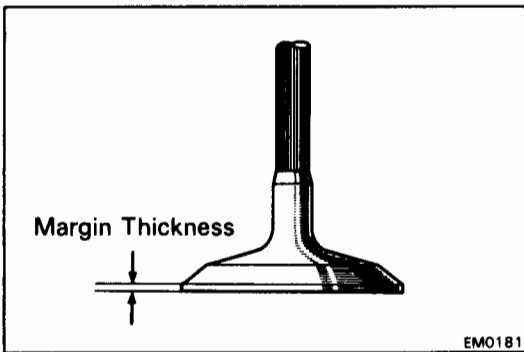
**Exhaust clearance:** 0.030 – 0.065 mm  
(0.0012 – 0.0026 in.)



## 11. INSPECT AND GRIND VALVES

- (a) Grind the valve enough only to remove pits and carbon.  
(b) Check that the valve is ground at the correct valve face angle.

**Valve face angle:** 44.5°

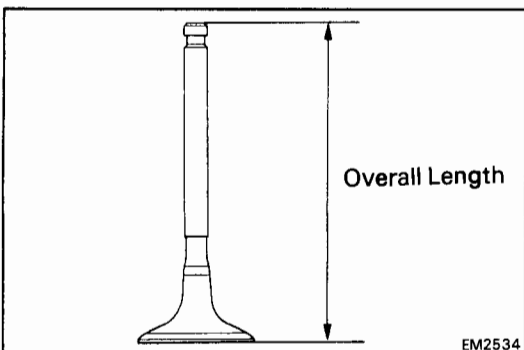


- (c) Check the valve head margin thickness.

**Standard margin thickness:** 0.8 – 1.2 mm  
(0.031 – 0.047 in.)

**Minimum margin thickness:** 0.5 mm (0.020 in.)

If the margin thickness is less than minimum, replace the valve.



- (d) Check the valve overall length.

**Standard overall length:**

**Intake** 99.60 mm (3.9213 in.)

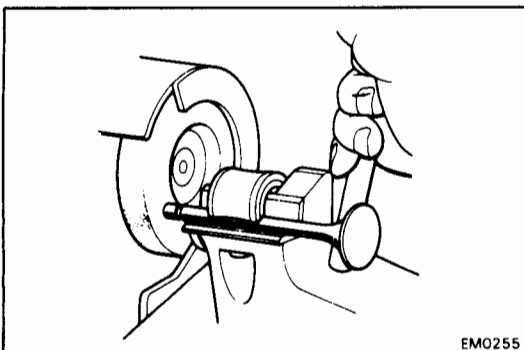
**Exhaust** 99.75 mm (3.9272 in.)

**Minimum overall length:**

**Intake** 99.10 mm (3.9016 in.)

**Exhaust** 99.25 mm (3.9075 in.)

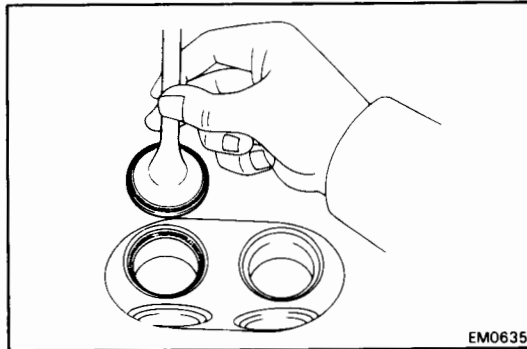
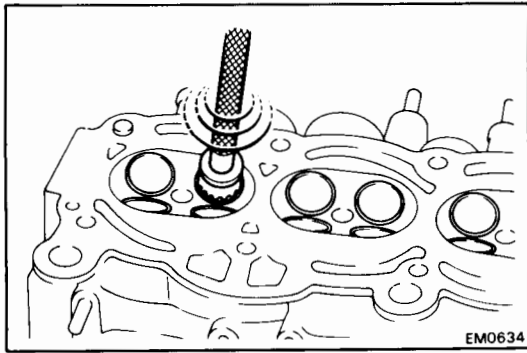
If the valve overall length is less than minimum, replace the valve.



- (e) Check the surface of the valve stem tip for wear.

If the valve stem tip is worn, regrind it with grinder or replace the valve if necessary.

**CAUTION:** Do not grind off more than the minimum overall length (See above).



## 12. INSPECT AND CLEAN VALVE SEATS

- (a) Using a 45° carbide cutter, resurface the valve seats. Remove only enough metal to clean the seats.

- (b) Check the valve seating position.

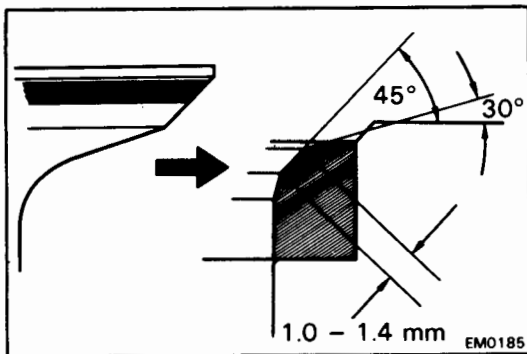
Apply a thin coat of prussian blue (or white lead) to the valve face. Install the valve. While applying light pressure to the valve, rotate the valve against the seat.

- (c) Check the valve face and seat for the following.

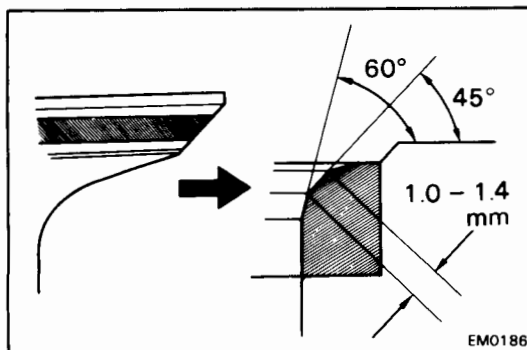
- If blue appears 360° around the face, the valve is concentric. If not, replace the valve.
- If blue appears 360° around the valve seat, the guide and seat are concentric. If not, resurface the seat.
- Check that the seat contact is on the middle of the valve face with the following width.

**1.0 – 1.4 mm (0.039 – 0.055 in.)**

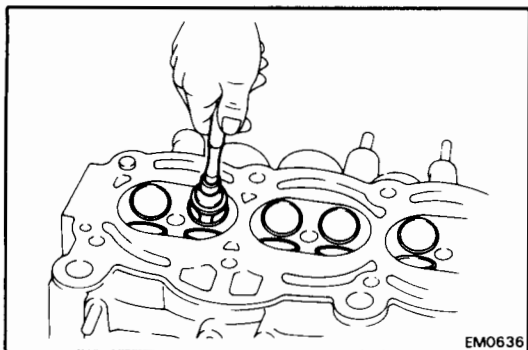
If not, correct the valve seat as follows:



- (1) If seating is too high on the valve face use 30° and 45° cutters to correct the seat.

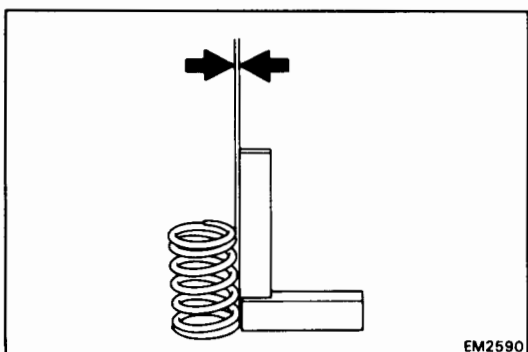


- (2) If seating is too low on the valve face, use 60° and 45° cutters to correct the seat.



EM0636

- (d) Hand-lap the valve and valve seat with an abrasive compound.
- (e) Clean the valve and valve seat after hand-lapping.



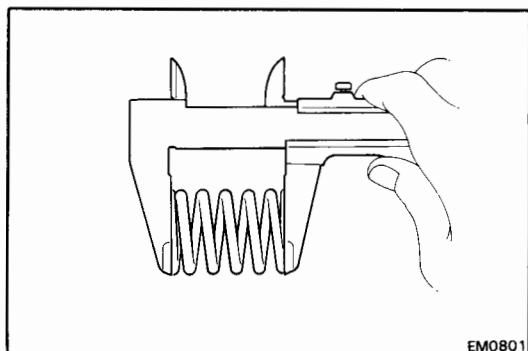
EM2590

### 13. INSPECT VALVE SPRINGS

- (a) Using a steel square, measure the squareness of the valve springs.

**Maximum squareness: 1.8 mm (0.071 in.)**

If squareness is greater than maximum, replace the valve spring.

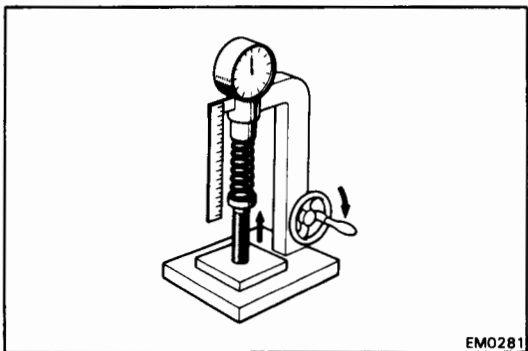


EM0801

- (b) Using calipers, measure the free length of the valve spring.

**Free length: 41.09 mm (1.6177 in.)**

If the free length is not as specified, replace the valve spring.



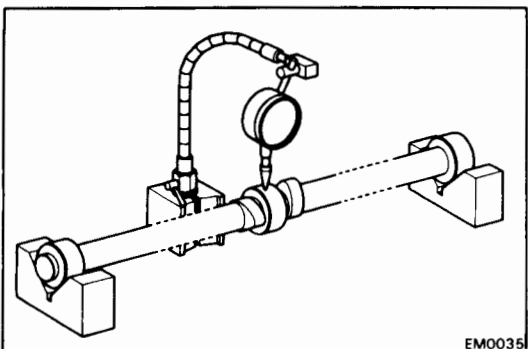
EM0281

- (c) Using a spring tester, measure the tension of the valve spring at the specified installed length.

**Installed tension:**

**14.6 – 1.0 kg (32.2 – 37.5 lb, 143 – 167 N)  
at 34.7 mm (1.366 in.)**

If the installed tension is not as specified, replace the valve spring.



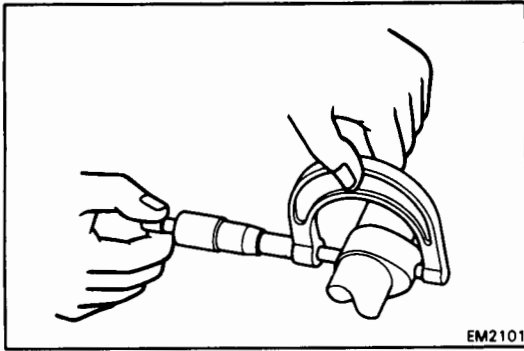
EM0035

### 14. INSPECT CAMSHAFT AND BEARING CAPS

- (a) Place the camshaft on V-blocks and, using a dial indicator, measure the circle runout at the center journal.

**Maximum circle runout: 0.04 mm (0.0016 in.)**

If the circle runout is greater than the maximum, replace the camshaft.

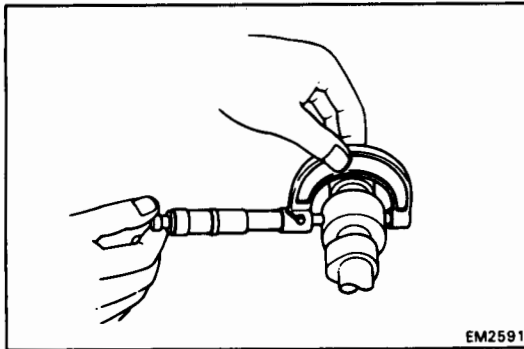


(b) Using a micrometer, measure the cam lobe height.

**Standard cam lobe height:** 35.410 – 35.510 mm  
(1.3823 – 1.3980 in.)

**Minimum lobe height:** 35.11 mm (1.3823 in.)

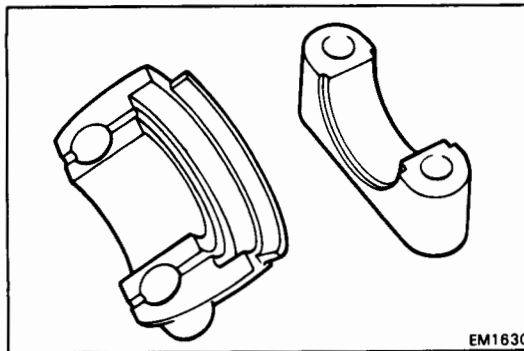
If the cam lobe height is less than minimum, replace the camshaft.



(c) Using a micrometer, measure the journal diameter.

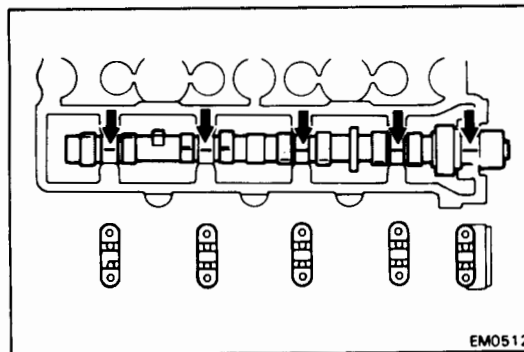
**Standard diameter:** 26.949 – 26.965 mm  
(1.0610 – 1.0616 in.)

If the journal diameter is less than specified, replace the camshaft.



(d) Check the bearings for flaking or scoring.

If bearings are damaged, replace the cylinder head and camshaft.

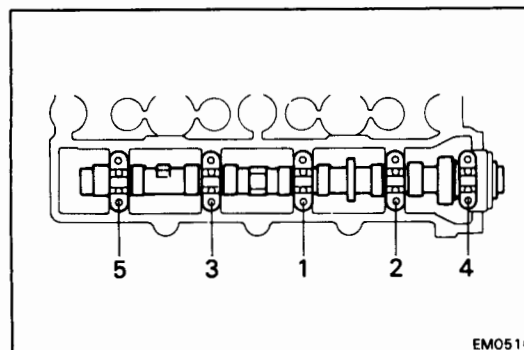


## 15. INSPECT CAMSHAFT OIL CLEARANCE

(a) Clean the bearing caps and camshaft journal.

(b) Place the camshaft in the cylinder head.

(c) Lay a strip of Plastigage across each journal.

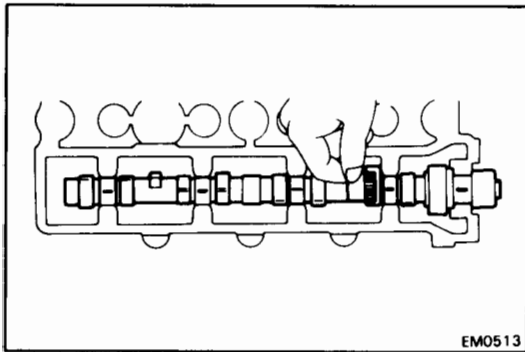


(d) Install the bearing caps.

(See step 2 on page EM-47)

**Torque:** 130 kg-cm (9 ft-lb, 13 N·m)

**NOTE:** Do not turn the camshaft.



EM0513

- (e) Remove the bearing caps.
- (f) Measure the Plastigage at its widest point.

**Standard oil clearance:** 0.035 – 0.072 mm  
(0.0014 – 0.0028 in.)

**Maximum oil clearance:** 0.10 mm (0.0039 in.)

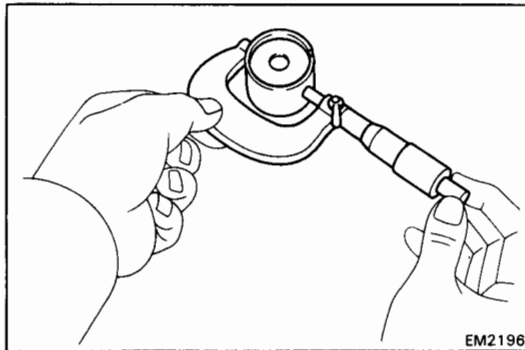
If the oil clearance is greater than maximum, replace the camshaft. If necessary, replace the bearing caps and cylinder head as a set.

- (g) Completely remove the Plastigage.

## 16. INSPECT VALVE LIFTERS AND LIFTER BORES

- (a) Using a micrometer, measure the lifter diameter.

**Lifter diameter:** 27.975 – 27.985 mm  
(1.1014 – 1.1018 in.)



EM2196

- (b) Using a caliper gauge, measure the lifter bore diameter of the cylinder head.

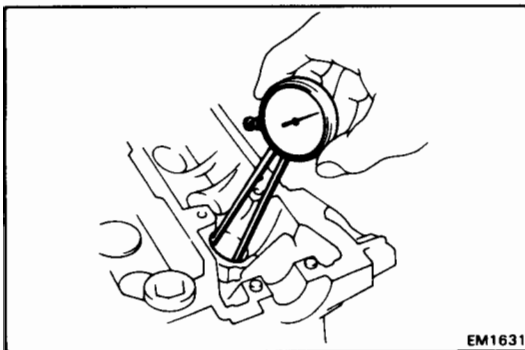
**Lifter bore diameter:** 28.000 – 28.021 mm  
(1.1024 – 1.1032 in.)

- (c) Subtract the lifter diameter measurement from the lifter bore diameter measurement.

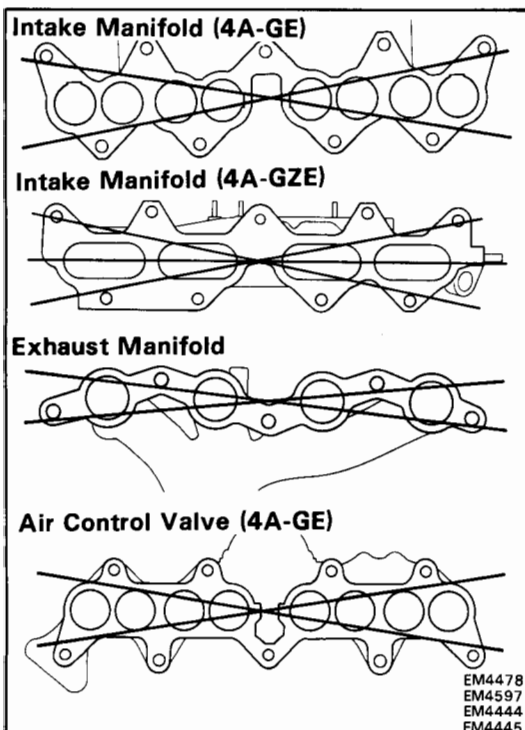
**Standard oil clearance:** 0.015 – 0.046 mm  
(0.0005 – 0.0018 in.)

**Maximum oil clearance:** 0.10 mm (0.0039 in.)

If the oil clearance is greater than maximum, replace the lifter. If necessary, replace the cylinder head.



EM1631

EM4478  
EM4597  
EM4444  
EM4445

## 17. INSPECT INTAKE, EXHAUST MANIFOLDS AND AIR CONTROL VALVE

Using a precision straight edge and feeler gauge, check the surfaces contacting the cylinder head or air control valve for warpage.

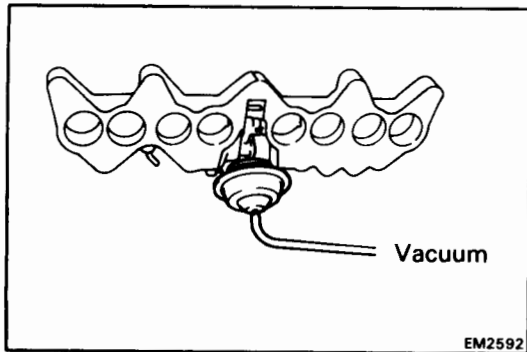
**Maximum warpage:**

**Intake manifold** 0.05 mm (0.0020 in.)

**Exhaust manifold** 0.30 mm (0.0118 in.)

**Air control valve** 0.05 mm (0.0020 in.)  
(4A-GE only)

If warpage is greater than maximum, replace the manifold or air control valve.

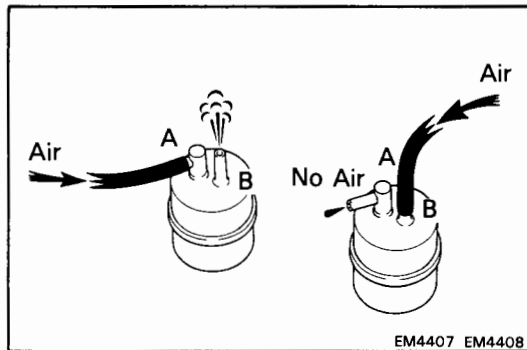


## INSPECTION OF TOYOTA – VARIABLE INDUCTION SYSTEM (T-VIS)

### 1. INSPECT AIR CONTROL VALVE

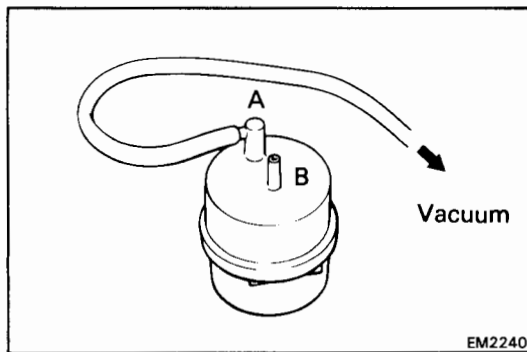
- With 300 mmHg (11.81 in.Hg, 40.0 kPa) of vacuum applied to the actuator, check that the control valve moves smoothly to the fully closed position.
- With the vacuum released, check that the valve quickly fully opens.

If abnormal, replace the valve.



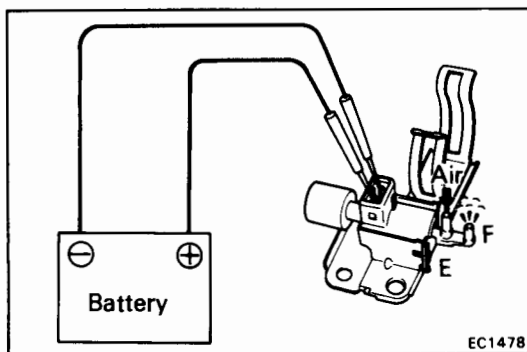
### 2. INSPECT VACUUM TANK

- Check that air flows from pipe A to B.
- Check that air does not flow from pipe B to A.



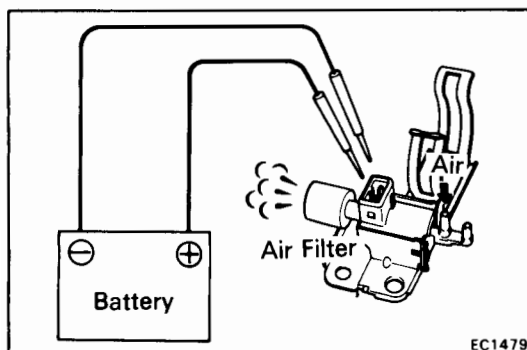
- Apply 500mmHg (19.69 in.Hg, 66.7 kPa) of vacuum to pipe A and check that there is no change in vacuum after one minute.

If there is change, replace the vacuum tank.



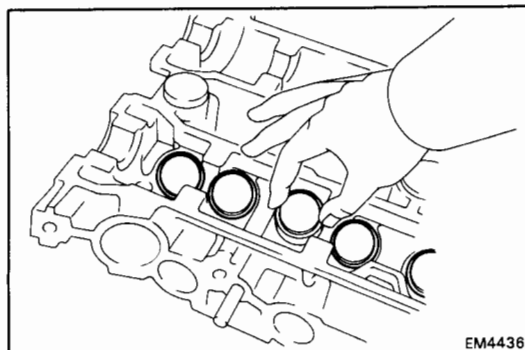
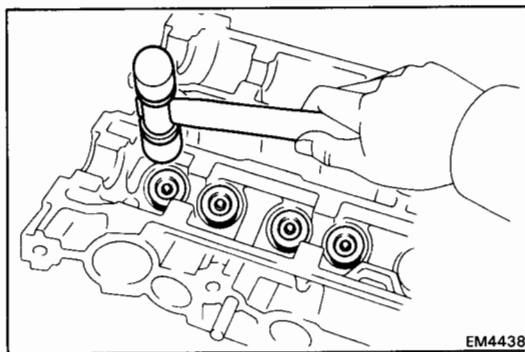
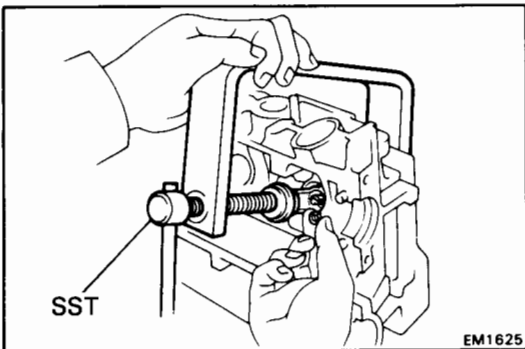
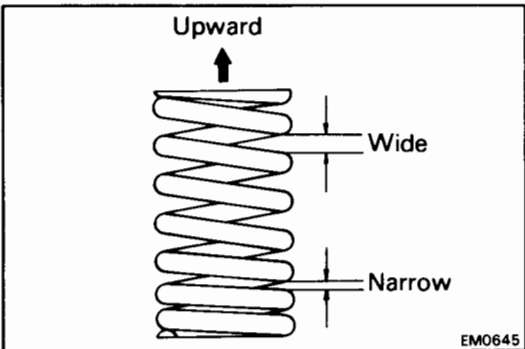
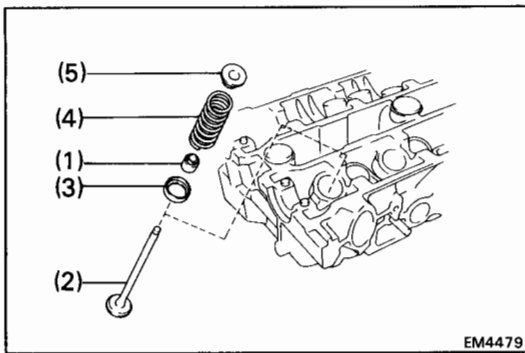
### 3. INSPECT VACUUM SWITCHING VALVE (VSV)

- Connect the VSV terminals to the battery terminals as illustrated.
- Blow into pipe E and check that air comes out of pipe F.



- Disconnect the battery.
- Blow into pipe E and check that air comes out of the air filter.

If a problem is found, replace the VSV.



## ASSEMBLY OF CYLINDER HEAD

(See page EM-26)

### NOTE:

- Thoroughly clean all parts to be assembled.
- Before installing the parts, apply new engine oil to all sliding and rotating surfaces.
- Replace all gaskets and oil seals with new ones.

### 1. INSTALL VALVES

(a) Install the following parts:

- (1) New oil seal
- (2) Valve
- (3) Spring seat
- (4) Valve spring
- (5) Spring retainer

**CAUTION:** Confirm the correct direction of the valve spring.

(b) Using SST, compress the valve spring and place the two keepers around the valve stem.

SST 09202-70010

(c) Using a plastic-faced hammer, lightly tap the valve stem tip to assure proper fit.

### 2. INSTALL RH ENGINE HANGER AND GROUND STRAP

### 3. INSTALL LH ENGINE HANGER AND ENGINE ROOM TEMP. SENSOR BRACKET

### 4. INSTALL VALVE LIFTERS AND SHIMS

(a) Install the valve lifter and shim.

(b) Check the valve lifter rotates smoothly by hand.

**NOTE:** Make sure the valve lifters with their shims are installed in the correct order.

## INSTALLATION OF CYLINDER HEAD

(See page EM-26)

### 1. INSTALL CYLINDER HEAD

#### NOTE:

- The cylinder head bolts are tighten in three progressive steps.
- If any of the bolts break or deform, replace them.

(a) Place a new cylinder head gasket in position on the cylinder block.

#### CAUTION: Be careful of the installation direction.

(b) Place the cylinder head in position on the cylinder head gasket.

(c) Apply a light coat of engine oil on the threads and under the heads of the cylinder head bolts.

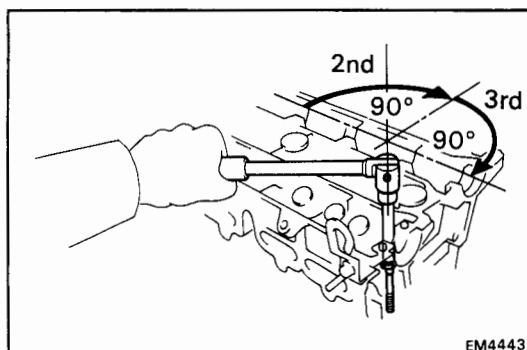
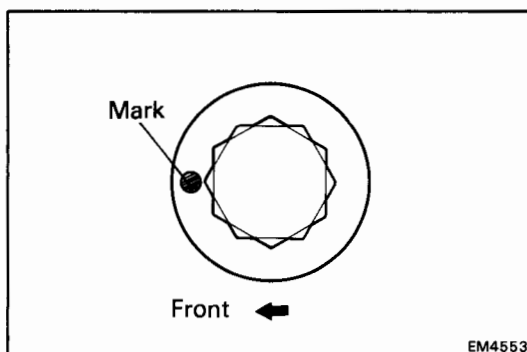
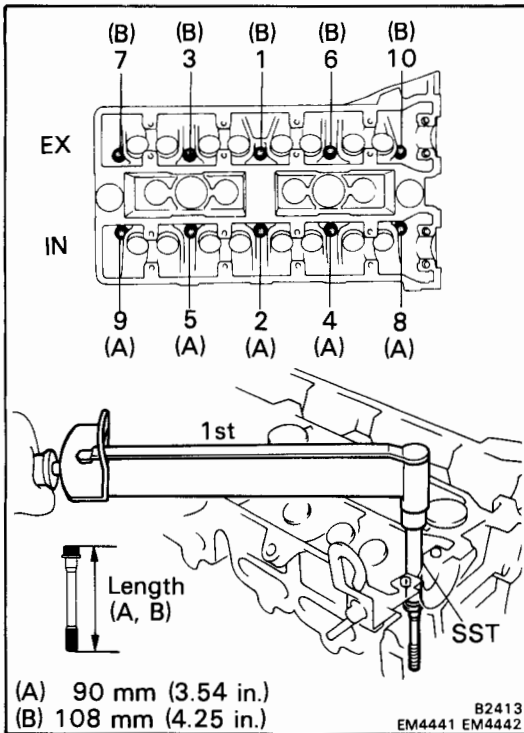
(d) First, using SST, install and uniformly tighten the ten cylinder head bolts in several passes, in the sequence shown.

SST 09205-16010

**Torque: 300 kg-cm (22 ft-lb, 29 N·m)**

NOTE: Each bolt length is indicated in the figure.

If any one of the bolts not meet the torque specification, replace the bolt.



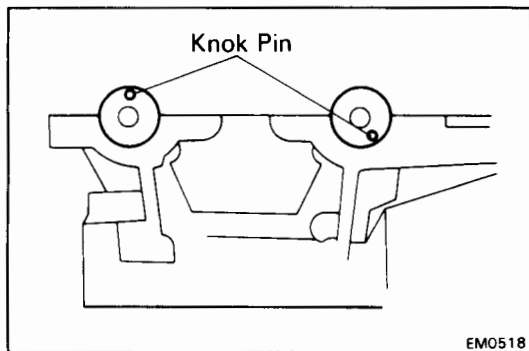
(e) Mark the front of the cylinder head bolt head with paint.

(f) Second, retighten the ten cylinder head bolts 90° in the numerical order shown.

(g) Third, retighten the ten cylinder head bolts by an additional 90°.

(h) Check that the paint mark is now facing rearward.

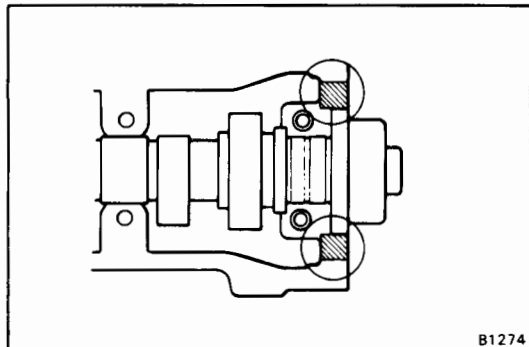




## 2. INSTALL CAMSHAFTS

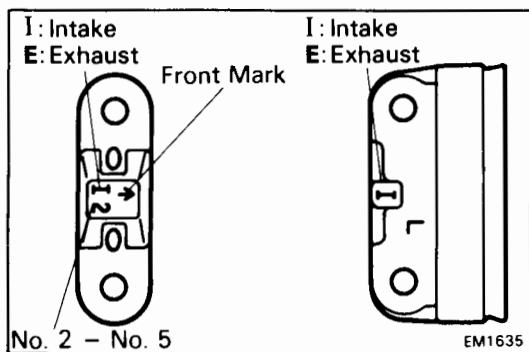
- (a) Place the camshafts in position on the cylinder head as shown in the figure.

NOTE: The exhaust camshaft has a distributor drive gear.

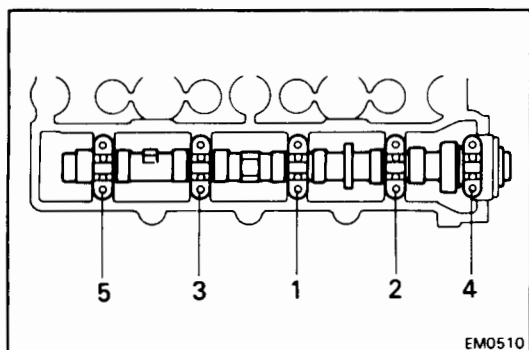


- (b) Apply seal packing to the cylinder head as shown in the figure.

Seal packing: Part No. 08826-0080 or equivalent



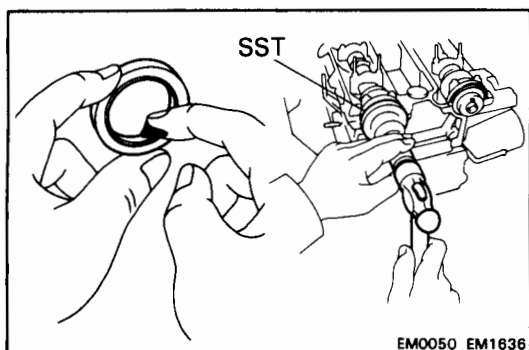
- (c) Install the bearing caps in their proper locations.



- (d) Apply a light coat of engine oil on the threads and under the heads of the bearing cap bolts.

- (e) Install and uniformly tighten the bearing cap bolts in several passes, in the sequence shown.

Torque: 130 kg-cm (9 ft-lb, 13 N·m)

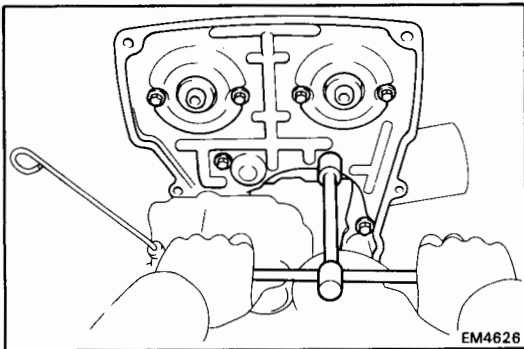


- (f) Apply MP grease to new camshaft oil seals lip.

- (g) Using SST, tap in the oil seal.

SST 09223-50010

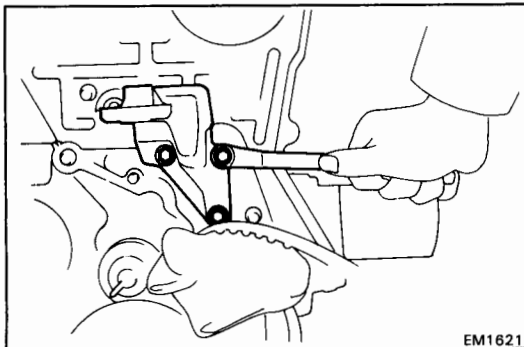
NOTE: Be careful not to install the oil seal slantwise.



### 3. INSTALL NO. 4 TIMING BELT COVER

Install the belt cover with the seven bolts.

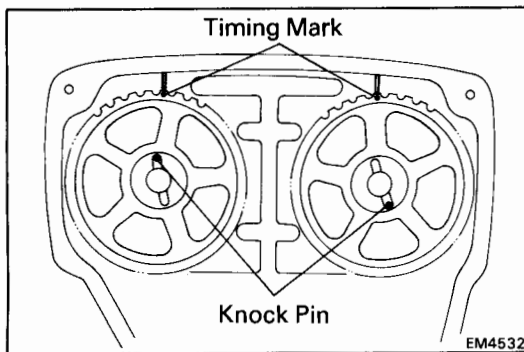
**Torque: 95 kg-cm (82 in.-lb, 9.3 N·m)**



### 4. INSTALL RH MOUNTING BRACKET

Install the mounting bracket with the three bolts.

**Torque: 400 kg-cm (29 ft-lb, 39 N·m)**



### 5. INSTALL CAMSHAFT TIMING PULLEYS

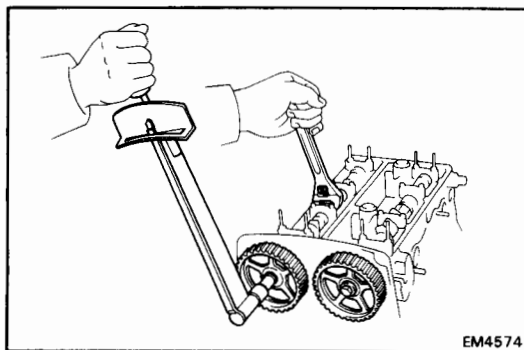
(a) Position the knock pin of the camshafts as shown in the figure.

(b) Align the camshaft knock pin with the knock pin groove of the pulley, and slide pulley, facing the timing mark upward.

(c) Secure the hexagonal portion of the camshaft, and install the plate washer and bolt. Torque the bolt.

**Torque: 475 kg-cm (34 ft-lb, 47 N·m)**

**CAUTION:** Be careful not to damage the cylinder head with the wrench.

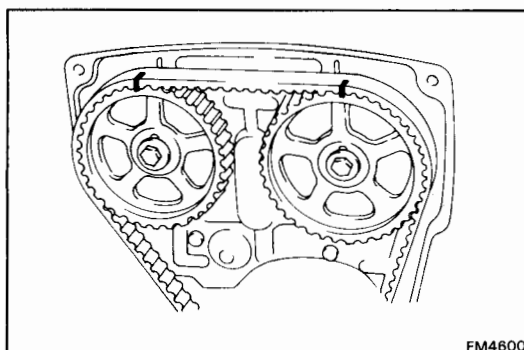


### 6. INSTALL TIMING BELT

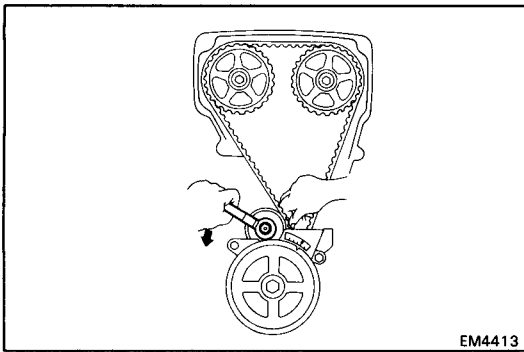
**CAUTION:** The engine should be cold.

Align the matchmarks of the camshaft timing pulleys and timing belt, and install the timing belt.

**NOTE:** Be careful not to shift the meshing of the crankshaft timing pulley and timing belt.

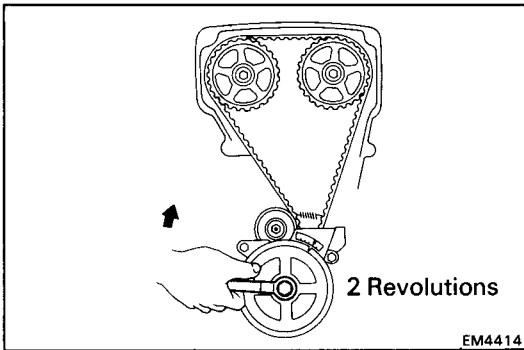


### 7. TEMPORARILY INSTALL CRANKSHAFT PULLEY



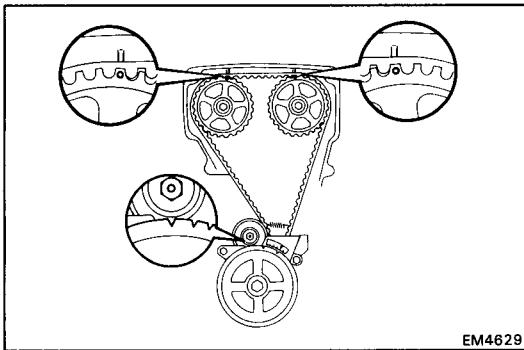
## 8. CHECK VALVE TIMING AND TIMING BELT DEFLECTION

(a) Slowly loosen the idler pulley bolt.



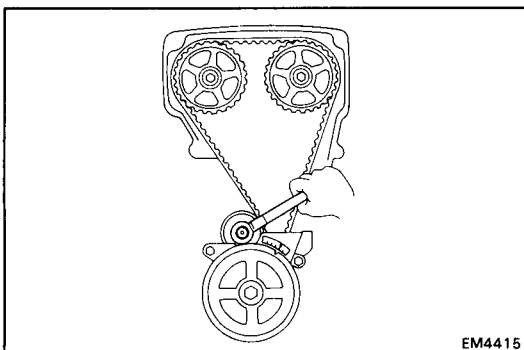
(b) Turn the crankshaft pulley two revolutions from TDC to TDC.

NOTE: Always turn the crankshaft clockwise.



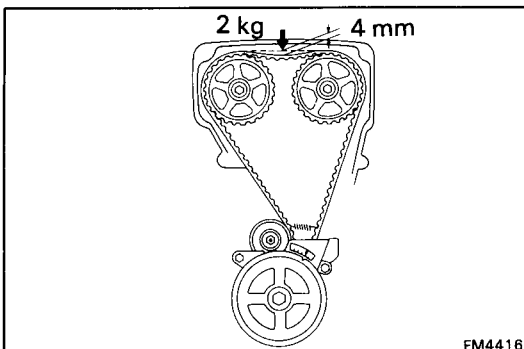
(c) Check that each pulley aligns with the timing marks as shown in the figure.

If the marks do not align, shift meshing of the timing belt and timing pulley and readjust according to steps 6 to 8.



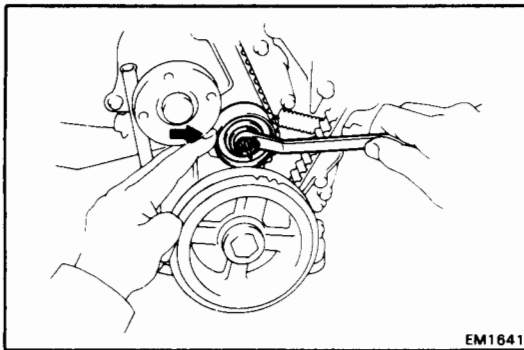
(d) Torque the idler pulley bolt.

**Torque: 375 kg-cm (27 ft-lb, 37 N·m)**

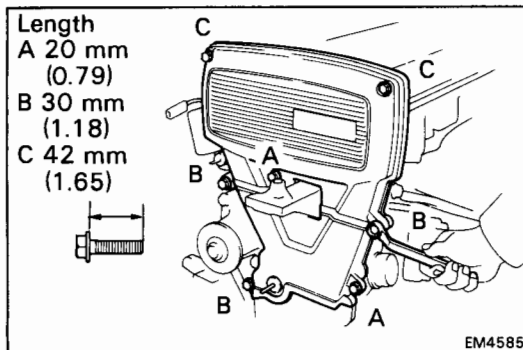


(e) Check belt deflection at the position indicated in the figure.

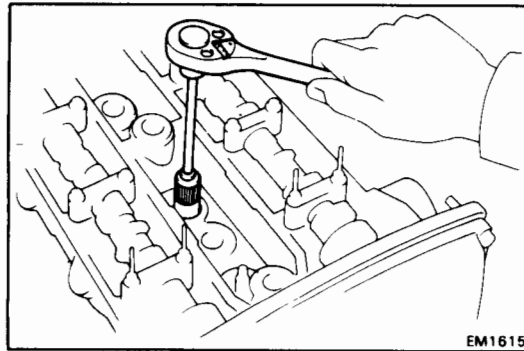
**Deflection: 4 mm (0.16 in.) at 2 kg (4.4 lb, 20 N)**



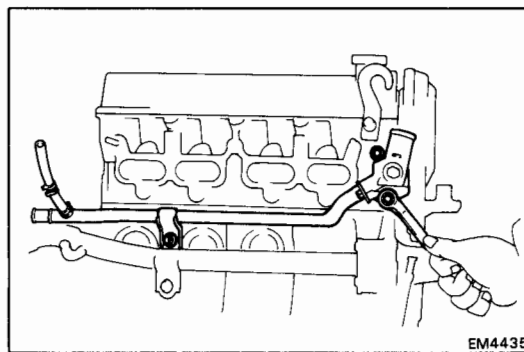
EM1641



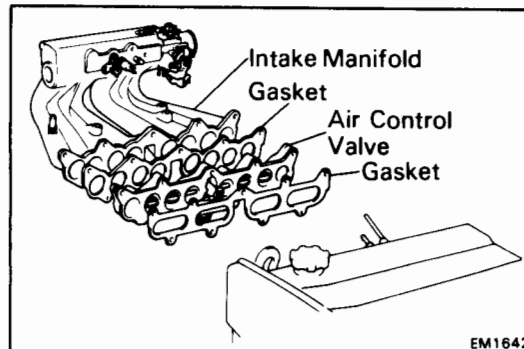
EM4585



EM1615



EM4435



EM1642

If the deflection is not as specified, adjust with the idler pulley.

**9. REMOVE CRANKSHAFT PULLEY**  
(See step 9 on page EM-16)

**10. INSTALL NO. 2 AND NO. 3 TIMING BELT COVERS**

- (a) Install the gaskets to the belt covers.
- (b) Install the No. 2 and No. 3 belt covers with the seven bolts.

NOTE: Each bolt length is indicated in the figure.

**11. INSTALL CRANKSHAFT PULLEY**  
(See step 17 on page EM-25)

**12. INSTALL RH ENGINE MOUNTING INSULATOR**

**13. INSPECT VALVE CLEARANCE** (See page EM-7)

**14. INSTALL SPARK PLUGS**

Using a plug wrench (16 mm), install the spark plugs.

Torque: 180 kg-cm (13 ft-lb, 18 N·m)

**15. INSTALL CYLINDER HEAD COVERS**  
(See steps 2 to 5 on pages EM-21, 22)

**16. INSTALL WATER OUTLET AND BY-PASS PIPE**

- (a) Install a new gasket, the water outlet and by-pass pipe assembly with the three bolts.

Torque:

Cylinder head side

280 kg-cm (20 ft-lb, 27 N·m)

Cylinder block side

130 kg-cm (9 ft-lb, 13 N·m)

- (b) Install the alternator drive adjusting bar with the three bolts.

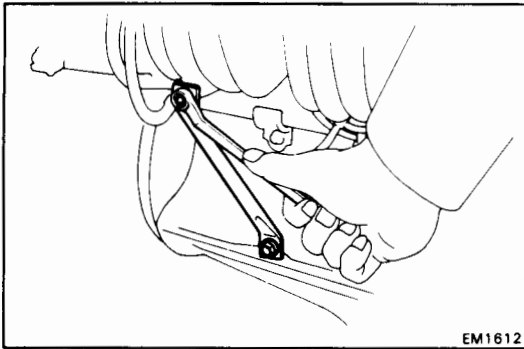
Torque: 185 kg-cm (13 ft-lb, 18 N·m)

**17. INSTALL INTAKE AIR CONTROL VALVE AND INTAKE MANIFOLD**

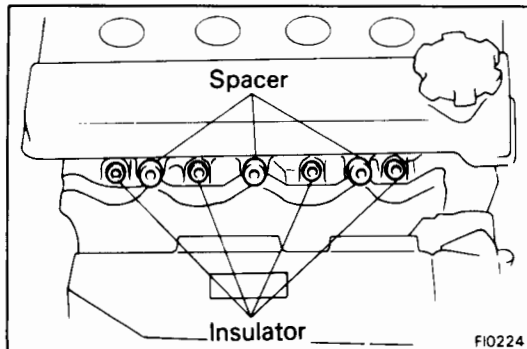
- (a) Using new gaskets, install the intake air control valve and intake manifold.

Torque: 280 kg-cm (20 ft-lb, 27 N·m)

- (b) Install the VSV with vacuum tank, connect the vacuum hose to the intake air control valve.

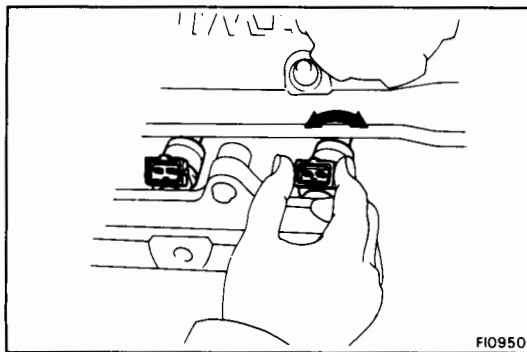


- (c) Install the manifold stay.



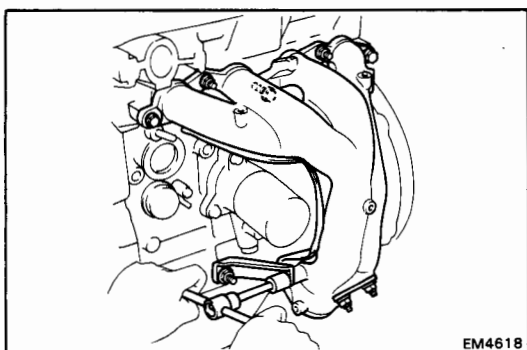
## 18. INSTALL DELIVERY PIPE WITH INJECTORS

- (a) Replace the O-ring on to the injector.
- (b) Install the four insulators into the injector holes of the cylinder head.
- (c) Install the three spacers on the cylinder head.
- (d) Install the injectors on the cylinder head together with the delivery pipe.



- (e) Check that the injectors rotate smoothly.
- (f) Install and tighten the three bolts.

**Torque: 175 kg-cm (13 ft-lb, 17 N·m)**



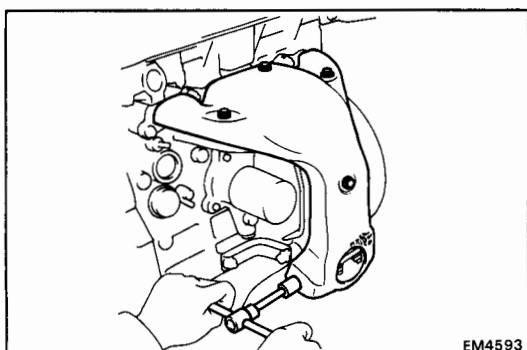
## 19. INSTALL EXHAUST MANIFOLD

- (a) Install the lower heat insulator to the manifold with the three bolts.
- (b) Install a new gasket, the exhaust manifold with the three bolts and two nuts.

**Torque: 250 kg-cm (18 ft-lb, 25 N·m)**

- (c) Install the manifold stay with the bolt and nut.

**Torque: 400 kg-cm (29 ft-lb, 39 N·m)**



- (d) Install the upper heat insulator with the six bolts.

**20. INSTALL FRONT EXHAUST PIPE**

(See page LU-12)

**21. INSTALL WATER PUMP PULLEY AND DRIVE BELT**

(See page EM-25)

**22. (w/ A/C)****INSTALL A/C IDLER PULLEY AND DRIVE BELT****23. INSTALL DISTRIBUTOR**

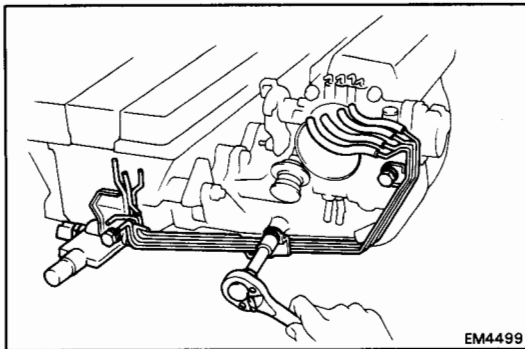
(See page IG-10)

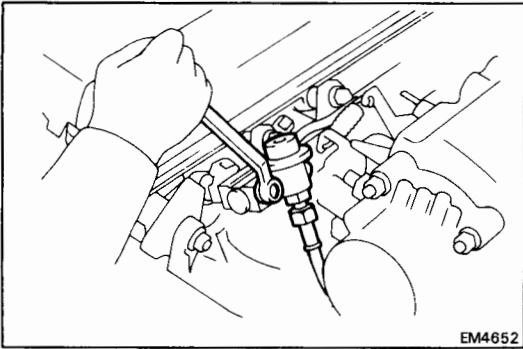
**24. CONNECT FOLLOWING CONNECTORS AND WIRERS:**

- Alternator wire and connector
- VSV connector (for T-VIS)
- Starter wire and connector
- Oil pressure sender gauge connector
- (w/ A/C)  
Compressor connector
- Water temp. sender gauge connector
- EGR gas temperature sensor connector (Calif. only)
- Engine compartment cooling fan motor connector
- Noise filter connector
- Ground strap (between cylinder head and body)
- Two igniter connectors
- Bond cable to intake manifold
- Injector connectors
- (w/ A/C)  
VSV connector (for pressure regulator)
- Throttle position sensor connector
- Engine compartment cooling fan temp. sensor connector
- Cold start injector time switch connector
- Engine wire connector to engine main wire

**25. INSTALL CYLINDER HEAD REAR COVER AND VACUUM PIPE**

- (a) Using a new gasket, temporarily install the cylinder head rear cover and wire clamp.
- (b) Install the vacuum pipe, and tighten the four bolts.
- (c) Connect the vacuum hoses to the vacuum pipe.
- (d) (w/ A/C)  
Connect the water temp. switch connector.
- (e) Connect the water temp. sensor connector.

**26. CONNECT NO. 2 AND NO. 3 WATER BY-PASS HOSES TO AUXILIARY AIR VALVE****27. CONNECT HIGH-TENSION CORDS TO IGNITION COIL**



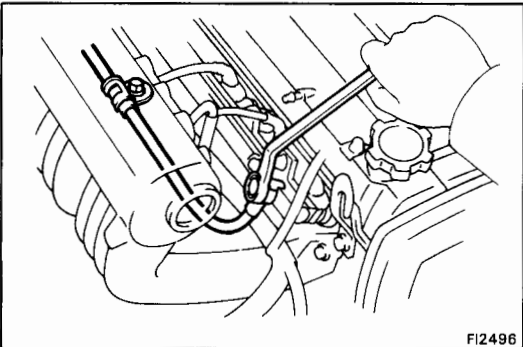
EM4652

**28. INSTALL PRESSURE REGULATOR**

- (a) Using a new O-ring, install the pressure regulator with the two bolts.

**Torque: 95 kg-cm (82 in-lb, 9.3 N·m)**

- (b) Install the No. 2 fuel pipe to the cylinder head rear cover with the bolt.
- (c) Connect the fuel hose to the No. 2 fuel pipe.
- (d) Connect the vacuum hose.



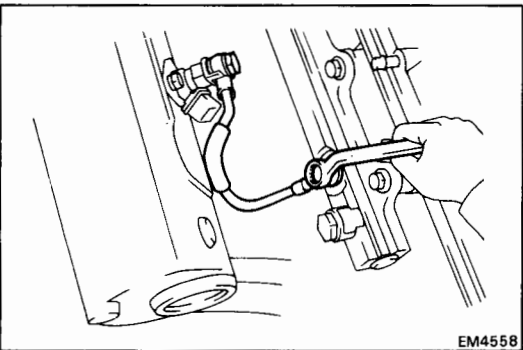
F12496

**29. INSTALL NO. 1 FUEL PIPE**

- (a) Connect the fuel pipe with two new gaskets and union bolt.

**Torque: 300 kg-cm (22 ft-lb, 29 N·m)**

- (b) Install the fuel pipe to the intake manifold and cylinder head rear cover.



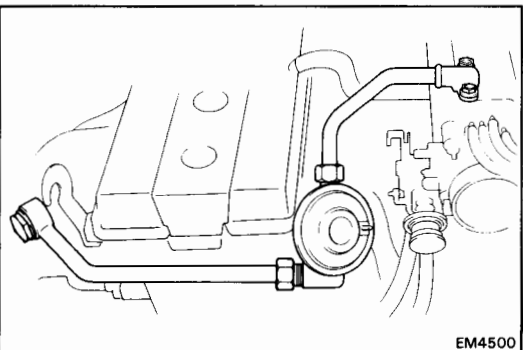
EM4558

**30. INSTALL COLD START INJECTOR PIPE**

- (a) Using new gaskets, install the cold start injector pipe.

**Torque: 180 kg-cm (13 ft-lb, 18 N·m)**

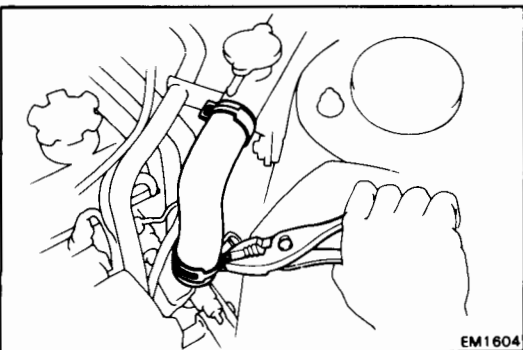
- (b) Connect the cold start injector connector.



EM4500

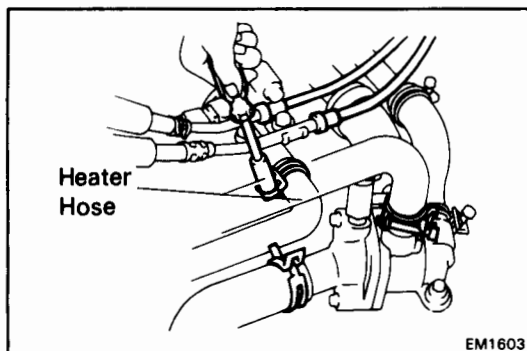
**31. INSTALL EGR VALVE WITH PIPES**

- (a) Using new gaskets, install the EGR valve with pipes.
- (b) Install the accelerator cable clamp to the engine hanger.
- (c) Install the EGR vacuum modulator and bracket.

**32. INSTALL PCV HOSE**

EM1604

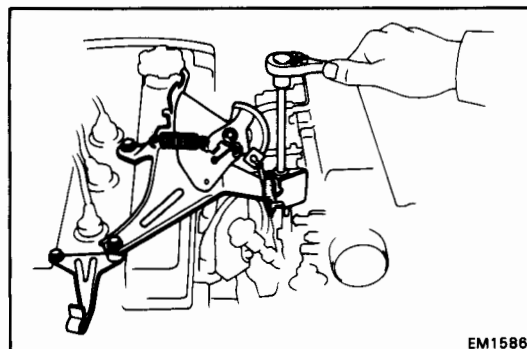
**33. CONNECT NO. 1 RADIATOR HOSE TO WATER OUTLET HOUSING**



**34. CONNECT HEATER HOSE TO CYLINDER HEAD REAR COVER**

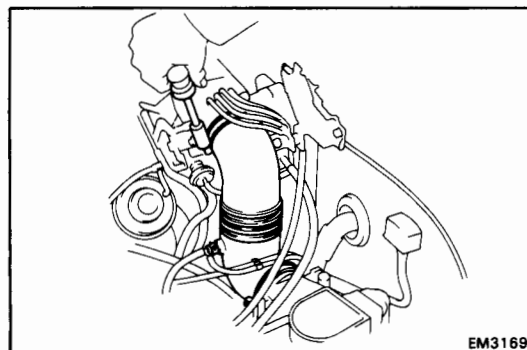
**35. CONNECT FOLLOWING VACUUM HOSES:**

- Brake booster hose.
- (w/ Cruise control)  
Cruise control vacuum hose to intake manifold.



**36. INSTALL ACCELERATOR LINK AND SPEEDOMETER CABLE CLAMP**

- (a) Install the accelerator link and speedometer cable clamp with the four bolts.
- (b) Connect the accelerator cable and connecting rod.
- (c) (w/ Cruise control)  
Connect the cruise control cable.



**37. INSTALL NO. 1 AIR CLEANER HOSE**

- (a) Install the air cleaner hoses with clamp. And tighten the clamp bolts.
- (b) Connect the VSV and air flow meter connector.
- (c) Connect the vacuum hose to the air cleaner hose.

**38. INSTALL AIR RESONATOR**

**39. REFILL WITH COOLANT (See page CO-4)**

**Capacity:**

**M/T**

w/ Heater

12.2 liters (12.9 US qts, 10.7 Imp. qts)

Others

12.4 liters (13.1 US qts, 10.9 Imp. qts)

**A/T**

12.9 liters (13.6 US qts, 11.4 Imp. qts)

**40. CONNECT CABLE TO NEGATIVE TERMINAL OF BATTERY**

**41. START ENGINE AND CHECK FOR LEAKS**

**42. PERFORM ENGINE ADJUSTMENT**

Adjust the ignition timing.

(See steps 5 to 8 on pages IG-11, 12)

**43. INSTALL ENGINE UNDER COVER**

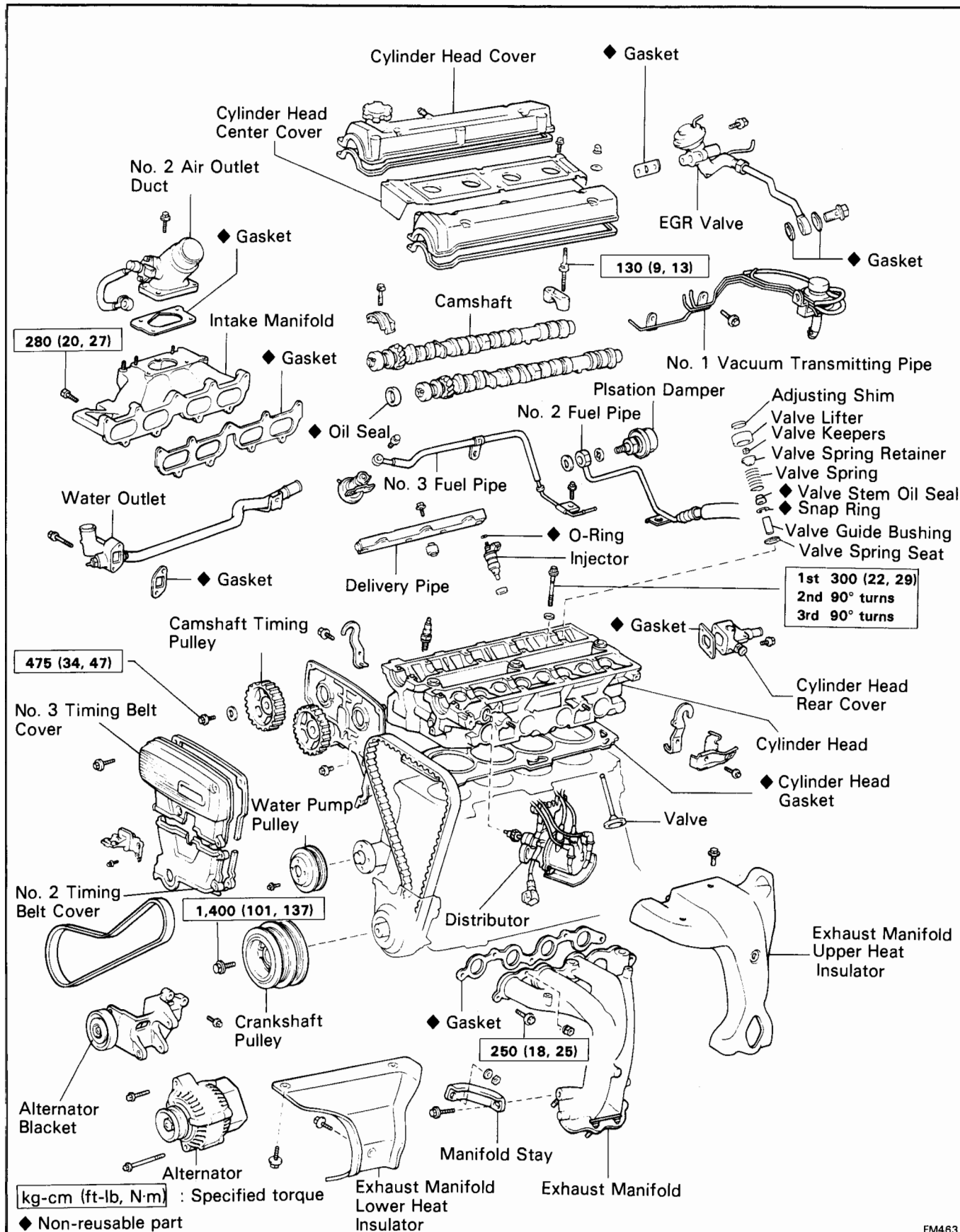
**44. PERFORM ROAD TEST**

Check for abnormal noise, shock, slippage, correct shift points and smooth operation.

**45. RECHECK ENGINE COOLANT AND ENGINE OIL LEVELS**



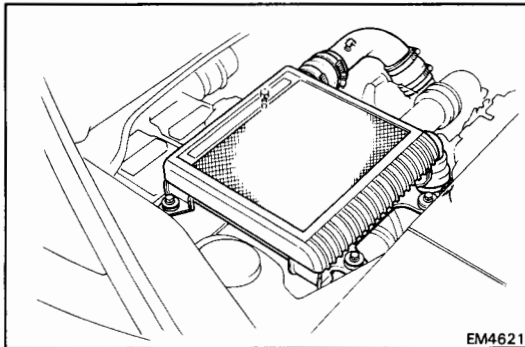
# CYLINDER HEAD (4A-GZE) COMPONENTS



**REMOVAL OF CYLINDER HEAD**

(See page EM-55)

1. **DISCONNECT CABLE FROM NEGATIVE TERMINAL OF BATTERY**
2. **REMOVE ENGINE HOOD**
3. **REMOVE ENGINE UNDER COVER**
4. **DRAIN ENGINE COOLANT (See page CO-3)**



EM4621

5. **REMOVE INTERCOOLER**

Disconnect the two hose clamps, and remove the four bolts and intercooler.

6. **REMOVE BATTERY**

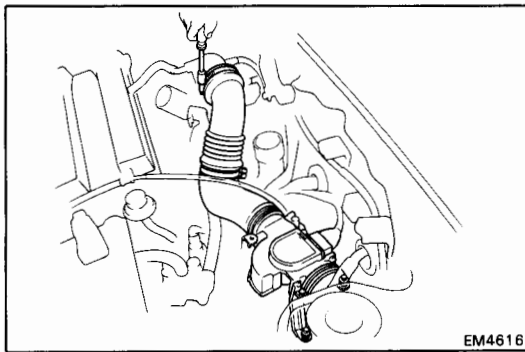
7. **DISCONNECT AIR BLEEDER HOSE FROM WATER INLET HOUSING**

8. (w/ Cruise control)  
**DISCONNECT CRUISE CONTROL VACUUM HOSE**

9. (A/T vehicle)  
**DISCONNECT A/T THROTTLE CABLE**

10. **REMOVE AIR FLOW METER WITH NO. 3 AIR CLEANER HOSE**

- (a) Disconnect the EGR VSV connector.
- (b) Disconnect the air flow meter connector.
- (c) Remove the bolt and EGR VSV.
- (d) Loosen the two clamps, and remove the three bolts and air flow meter with No. 3 air cleaner hose.



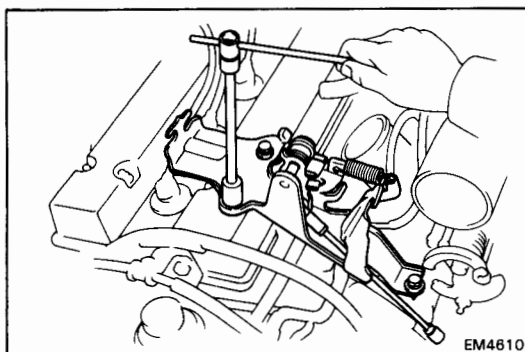
EM4616

11. **DISCONNECT ACCELERATOR CABLE**

12. (w/ Cruise control)  
**DISCONNECT CRUISE CONTROL CABLE**

13. (w/ Cruise control)  
**REMOVE ACCELERATOR LINK**

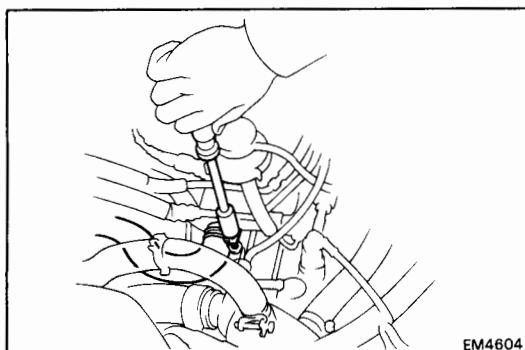
Disconnect accelerator rod, and remove the three bolts and accelerator link.



EM4610

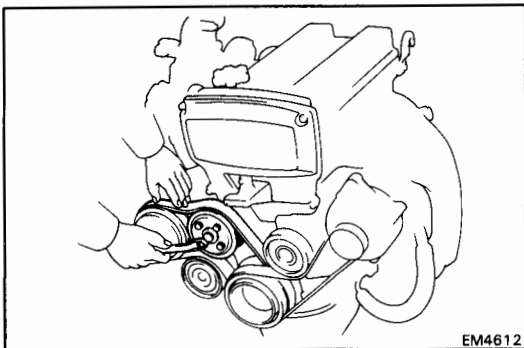
14. (w/ A/C)  
**DISCONNECT A/C IDLE UP VACUUM HOSES**

15. **DISCONNECT HEATER HOSE FROM CYLINDER HEAD REAR COVER**

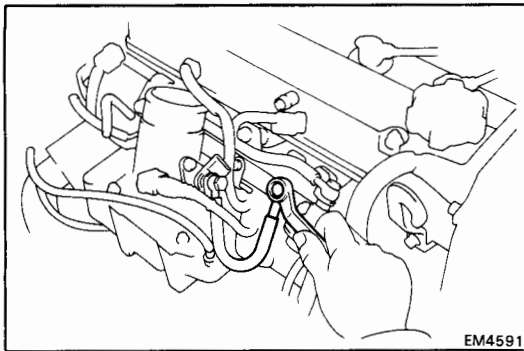


EM4604

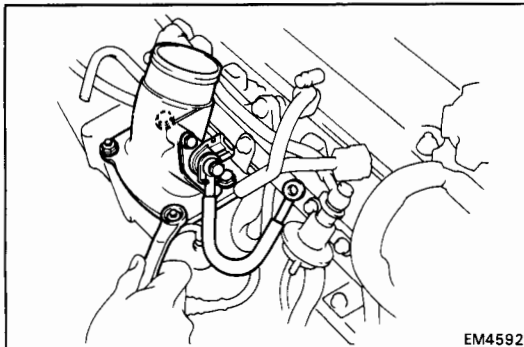
16. DISCONNECT BRAKE BOOSTER VACUUM HOSE
17. REMOVE RADIATOR RESERVOIR TANK
18. DISCONNECT NO. 1 RADIATOR HOSE FROM WATER OUTLET HOUSING
19. DISCONNECT FOLLOWING CONNECTORS AND WIRES:
  - (a) Cold start injector time switch connector
  - (b) EGR gas temp. sensor connector
  - (c) Engine compartment cooling fan sensor connector
  - (d) Water temperature sensor connector
  - (e) Water temperature sender gauge connector
  - (f) Noise filter connector
  - (g) Ground strap connector (between cylinder head and body)
  - (h) Igniter connector
  - (i) Distributor connector
  - (j) High-tension cord from ignition coil
  - (k) Solenoid resistor connector
  - (l) Engine compartment cooling fan motor connector
  - (m) (w/ A/C)  
Two A/C compressor connectors
  - (n) Oil pressure sender gauge connector
  - (o) Alternator wire and connector
  - (p) Injector connectors
  - (q) Cold start injector connector
  - (r) Supercharger air control valve connector
  - (s) Supercharger ABV connector
  - (t) Throttle position sensor connector
  - (u) ISC valve connector



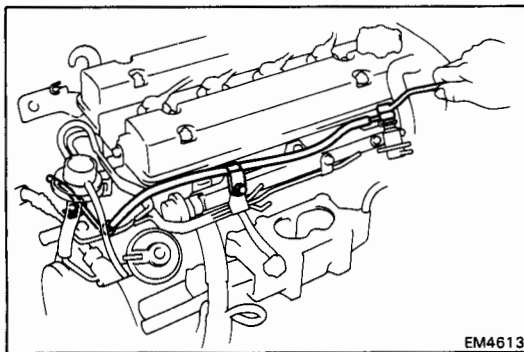
20. REMOVE DRIVE BELTS AND WATER PUMP PULLEY
  - (a) Loosen the four bolts mounting the pulley to the pulley seat of the water pump.
  - (b) Loosen the idler pulley lock nuts and adjusting bolts, and remove the drive belts.
  - (c) Remove the four bolts and water pump pulley.
21. REMOVE SUPERCHARGER (See page SC-5)

**22. REMOVE NO. 2 AIR OUTLET DUCT**

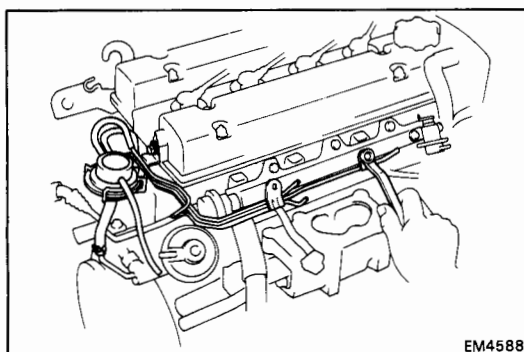
- (a) Remove the union bolt and gaskets, and disconnect the cold start injector pipe from the delivery pipe.



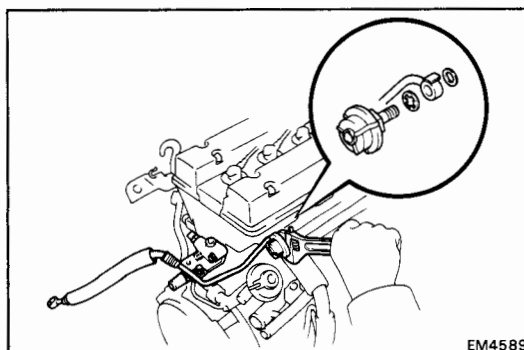
- (b) Remove the two bolts, nuts, No. 2 air outlet duct and gasket.

**23. DISCONNECT NO. 3 FUEL PIPE**

- (a) Remove the union bolt and two gaskets.  
 (b) Remove the two bolts and disconnect the No. 3 fuel pipe.

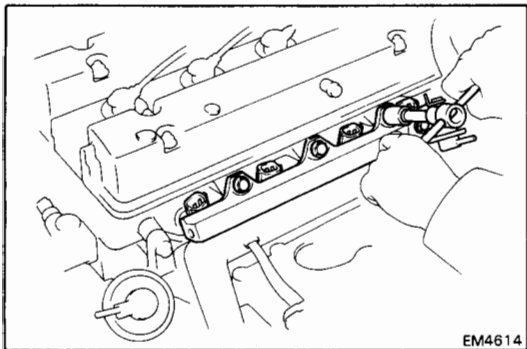
**24. REMOVE NO. 1 VACUUM TRANSMITTING PIPE**

- (a) Disconnect the vacuum hose from the EGR valve.  
 (b) Disconnect the EGR modulator hose.  
 (c) Remove the two bolts and No. 1 vacuum transmitting pipe with modulator.

**25. DISCONNECT NO. 2 FUEL HOSE**

- (a) Remove the pulsation damper and gaskets.  
 (b) Remove the bolt and disconnect the No. 2 fuel hose.

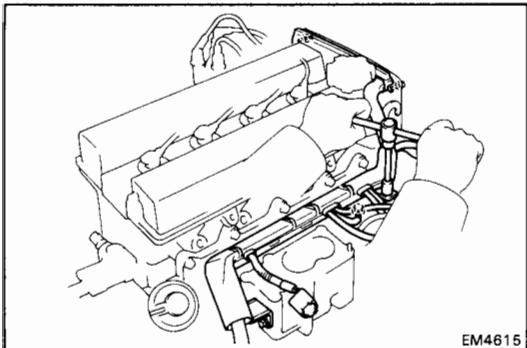
**26. REMOVE CYLINDER HEAD REAR COVER**

**27. REMOVE DELIVERY PIPE WITH INJECTORS**

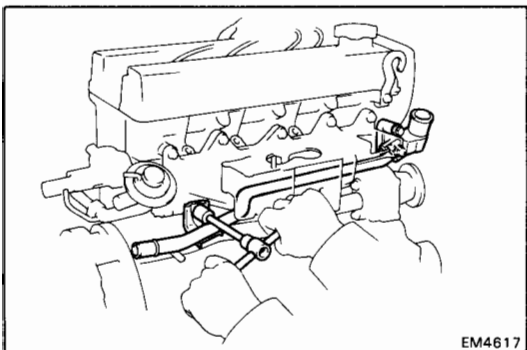
- (a) Remove the three bolts, and then remove the delivery pipe with the injectors.

**CAUTION:** Be careful not to drop the injectors.

- (b) Remove the four insulators and three spacers from the cylinder head.

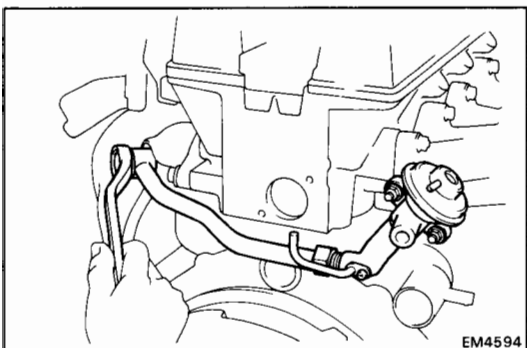
**28. LAY WIRE HARNESS TO ONE SIDE**

Loosen the two bolts of the No. 3 timing cover, and remove the three bolts and lay the wire harness.

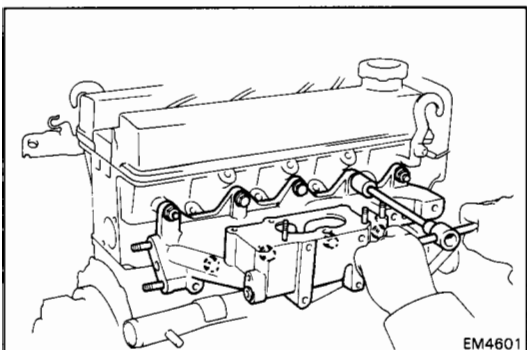
**29. REMOVE WATER OUTLET WITH BY-PASS PIPE**

- (a) Disconnect water by-pass hose.

- (b) Remove the three bolts, water outlet with by-pass pipe and gasket.

**30. REMOVE EGR VALVE WITH PIPE**

Remove the union bolt, two gaskets, two nuts and EGR valve with pipe and gasket.

**31. REMOVE INTAKE MANIFOLD**

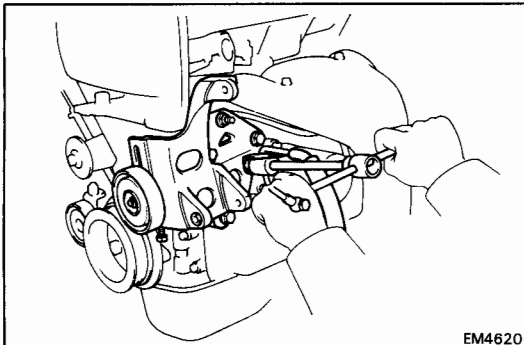
Remove the seven bolts, two nuts, intake manifold and gasket.

**32. REMOVE FRONT EXHAUST PIPE**  
(See page LU-4)

**33. (w/ A/C)**  
**REMOVE A/C COMPRESSOR AND BRACKET**

**34. REMOVE DISTRIBUTOR**  
(See page IG-9)

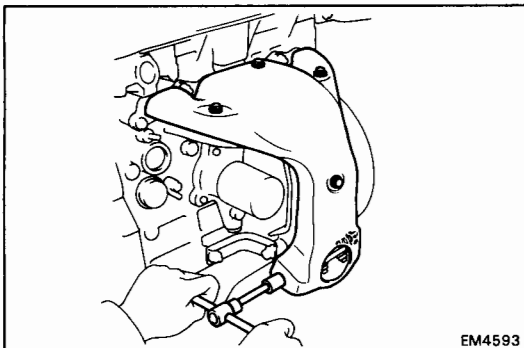
**35. REMOVE ALTERNATOR**  
(See page CH-7)



EM4620

**36. REMOVE ALTERNATOR BRACKET**

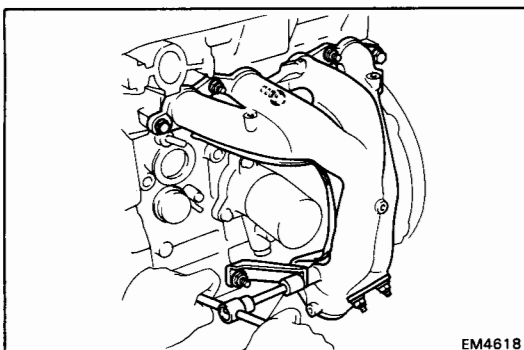
- (a) Disconnect the oil cooler pipe.
- (b) Remove the three bolts, nut and alternator bracket.



EM4593

**37. REMOVE EXHAUST MANIFOLD**

- (a) Remove the six bolts and upper heat insulator.



EM4618

- (b) Remove the bolt, nut and manifold stay.

- (c) Remove the three bolts, two nuts exhaust manifold and gasket.

**38. REMOVE CAMSHAFT AND CYLINDER HEAD**  
(See steps 29 to 43 on pages EM-30 to 33)

## DISASSEMBLY OF CYLINDER HEAD

(See pages EM-34, 55)

## INSPECTION, CLEANING AND REPAIR OF CYLINDER HEAD COMPONENTS

(See page EM-35)

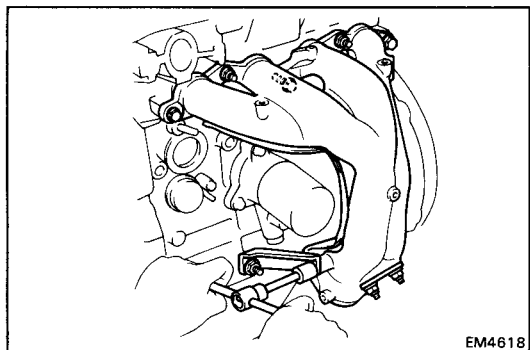
## ASSEMBLY OF CYLINDER HEAD

(See pages EM-45, 55)

## INSTALLATION OF CYLINDER HEAD

(See pages EM-45, 55)

1. **INSTALL CYLINDER HEAD AND CAMSHAFT**  
(See steps 1 to 15 on pages EM-46 to 50)

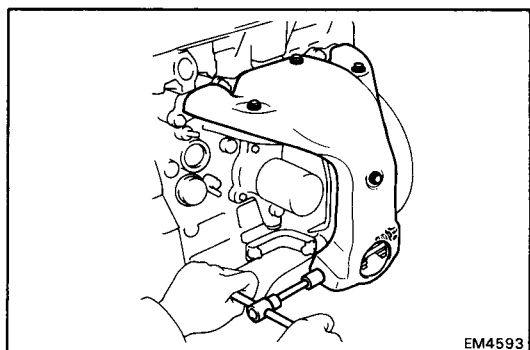


2. **INSTALL EXHAUST MANIFOLD**

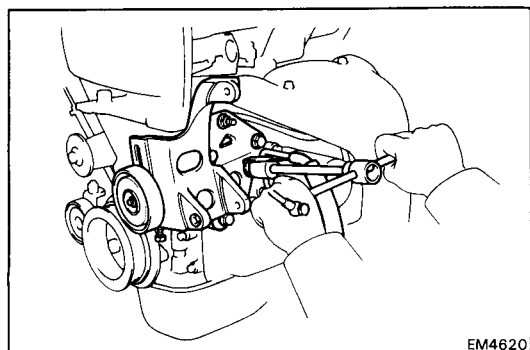
- (a) Install a new gasket, the exhaust manifold with the three bolts and two nuts.

**Torque: 250 kg-cm (18 ft-lb, 25 N·m)**

- (b) Install the manifold stay with the bolt and nut.



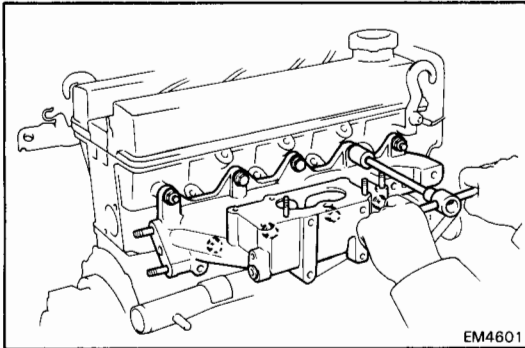
- (c) Install the upper heat insulator with the six bolts.



3. **INSTALL ALTERNATOR BRACKET**

- (a) Install the alternator bracket with the three bolts and nut.
- (b) Connect the oil cooler pipe.

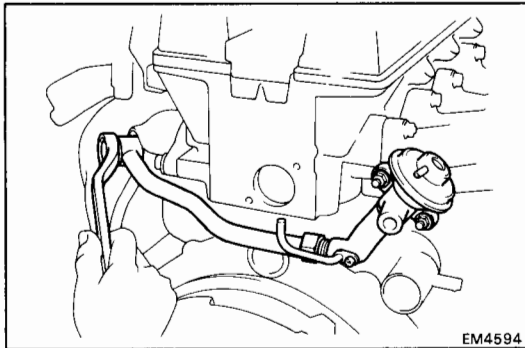
4. **INSTALL ALTERNATOR**  
(See page CH-15)
5. **INSTALL DISTRIBUTOR**  
(See page IG-10)  
(w/ A/C)
6. **INSTALL A/C COMPRESSOR AND BRACKET**
7. **INSTALL FRONT EXHAUST PIPE**  
(See page LU-12)



8. **INSTALL INTAKE MANIFOLD**

Install a new gasket, the intake manifold with the seven bolts and two nuts.

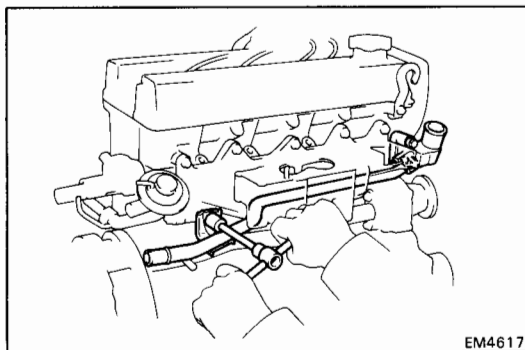
**Torque: 280 kg-cm (20 ft-lb, 27 N·m)**



9. **INSTALL EGR VALVE WITH PIPE**

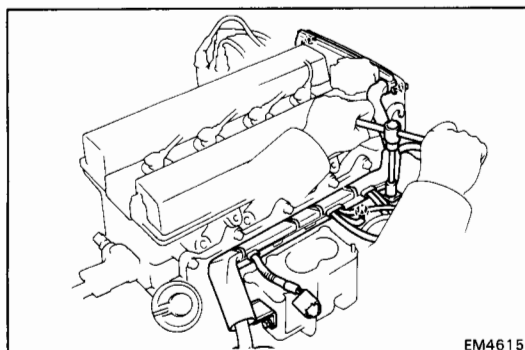
Using new gaskets, install the EGR valve with pipe. Torque the union bolt and two nuts.

**Torque: Union bolt 700 kg-cm (51 ft-lb, 69 N·m)**  
**Nut 190 kg-cm (14 ft-lb, 19 N·m)**



10. **INSTALL WATER OUTLET WITH BY-PASS PIPE**

Using a new gasket, install the water outlet with by-pass pipe to the cylinder head and intake manifold with the three bolts.

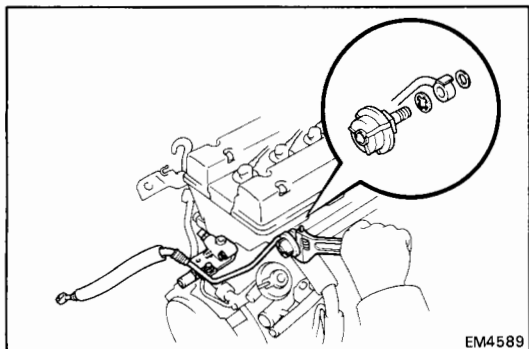


11. **CLAMP WIRE HARNESS**

Clamp the wire harness with the five bolts.

12. **INSTALL DELIVERY PIPE WITH INJECTORS**  
(See page FI-90)

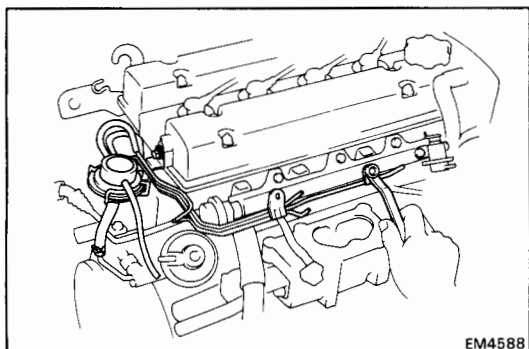


**13. INSTALL CYLINDER HEAD REAR COVER****14. CONNECT NO. 2 FUEL HOSE**

- (a) Install the pulsation damper with new gaskets.

**Torque: 300 kg-cm (22 ft-lb, 29 N·m)**

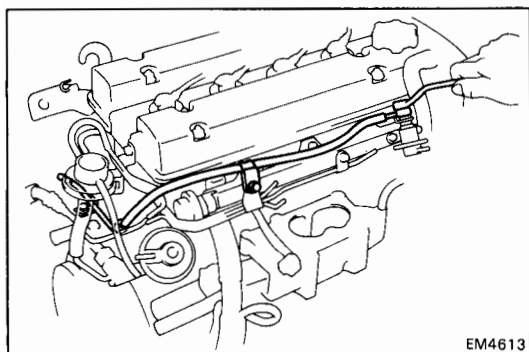
- (b) Clamp the hose to the cylinder head rear cover with the bolt.

**15. INSTALL NO. 1 VACUUM TRANSMITTING PIPE**

- (a) Install the No. 1 vacuum transmitting pipe with modulator with the two bolts.

- (b) Connect the EGR modulator hose.

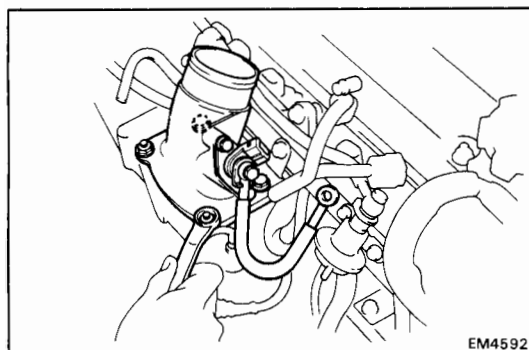
- (c) Connect the vacuum hose.

**16. CONNECT NO. 3 FUEL PIPE**

- (a) Connect the No. 3 fuel pipe with the union bolt and new gasket.

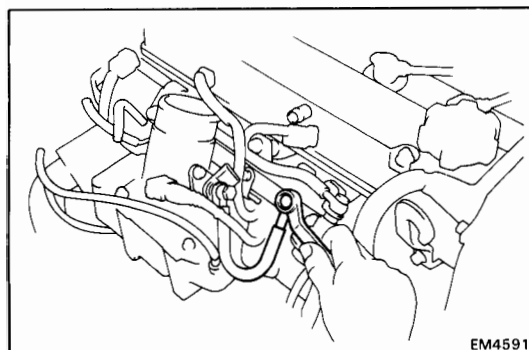
**Torque: 150 kg-cm (11 ft-lb, 15 N·m)**

- (b) Clamp the No. 3 fuel pipe with the two bolts.

**17. INSTALL NO. 2 AIR OUTLET DUCT**

- (a) Install the No. 2 air outlet duct with a new gasket, the two bolts and two nuts.

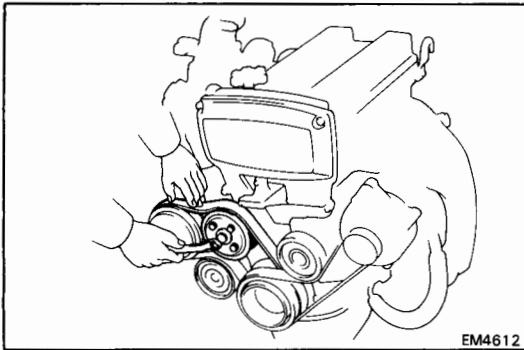
**Torque: 95 kg-cm (82 in.-lb, 9 N·m)**



- (b) Connect the cold start injector pipe to the delivery pipe with new gaskets and the union bolt.

**Torque: 150 kg-cm (11 ft-lb, 15 N·m)**

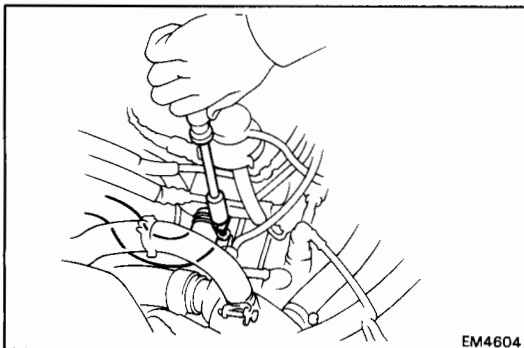
**18. INSTALL SUPERCHARGER (See page SC-17)**

**19. INSTALL WATER PUMP PULLEY AND DRIVE BELTS**

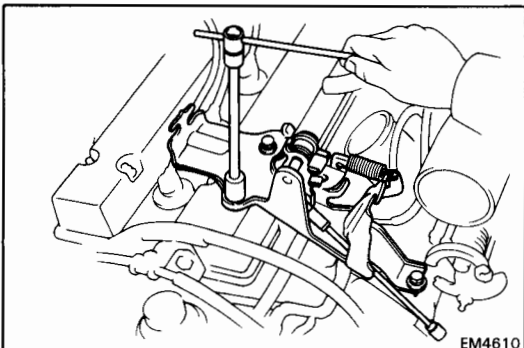
- (a) Install the water pump pulley with the four bolts.
- (b) Install and adjust drive belts.  
(See page MA-4)
- (c) Stretch the belt tight and tighten the four pulley bolts.

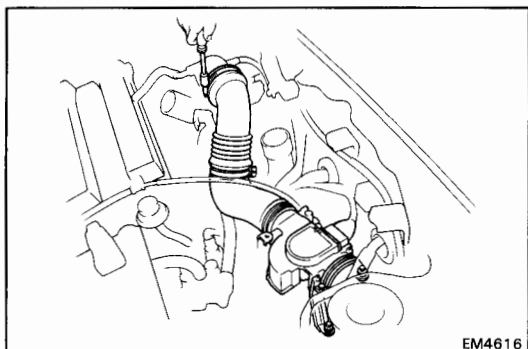
**20. CONNECT FOLLOWING CONNECTORS AND WIRES:**

- (a) Cold start injector time switch connector
- (b) EGR gas temp. sensor connector (Calif. only)
- (c) Engine compartment cooling fan sensor connector
- (d) Water temperature sensor connector
- (e) Water temperature sender gauge connector
- (f) Noise filter connector
- (g) Ground strap connector (between cylinder head and body)
- (h) Igniter connector
- (i) Distributor connector
- (j) High-tension cord from ignition coil
- (k) Solenoid resistor connector
- (l) Engine compartment cooling fan motor connector
- (m) (w/ A/C)  
Two A/C compressor connectors
- (n) Oil pressure sender gauge connector
- (o) Alternator wire and connector
- (p) Injector connectors
- (q) Cold start injector connector
- (r) Supercharger air control valve connector
- (s) Supercharger ABV connector
- (t) Throttle position sensor connector
- (u) ISC valve connector

**21. CONNECT NO. 1 RADIATOR HOSE TO WATER OUTLET HOUSING****22. INSTALL RADIATOR RESERVOIR TANK****23. CONNECT BRAKE BOOSTER VACUUM HOSE****24. CONNECT HEATER HOSE TO CYLINDER HEAD REAR COVER****25. (w/ A/C)  
CONNECT A/C IDLE UP VACUUM HOSES****26. (w/ Cruise control)  
INSTALL ACCELERATOR LINK**

- (a) Install the accelerator link with the three bolts.
- (b) Connect the accelerator rod.





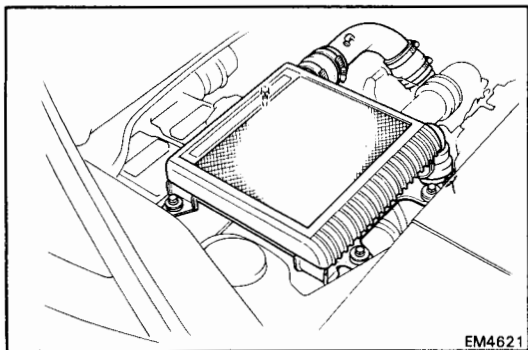
**27. INSTALL AIR FLOW METER WITH NO. 3 AIR CLEANER HOSE**

- (a) Install the air flow meter with No. 3 air cleaner hose with the three bolts and two clamps.
- (b) Install the EGR VSV with the bolt.
- (c) Connect the air flow meter and EGR VSV connectors.

**28. (A/T vehicle)  
CONNECT A/T THROTTLE CABLE**

**29. (w/ Cruise control)  
CONNECT CRUISE CONTROL VACUUM HOSE**

**30. CONNECT AIR BLEEDER HOSE TO WATER INLET HOUSING INSTALL BATTERY**



**31. INSTALL INTERCOOLER**

Install the intercooler with the four bolts and two clamps.

**32. REFILL WITH COOLANT (See page CO-4)**

Capacity:

M/T

w/ Heater

12.2 liters (12.9 US qts, 10.7 Imp. qts)

Others

12.4 liters (13.1 US qts, 10.9 Imp. qts)

A/T

12.9 liters (13.6 US qts, 11.4 Imp. qts)

**33. CONNECT CABLE TO NEGATIVE TERMINAL OF BATTERY**

**34. START ENGINE AND CHECK FOR LEAKS**

**35. PERFORM ENGINE ADJUSTMENT**

Adjust the ignition timing.

(See steps 5 to 8 on pages IG-11, 12)

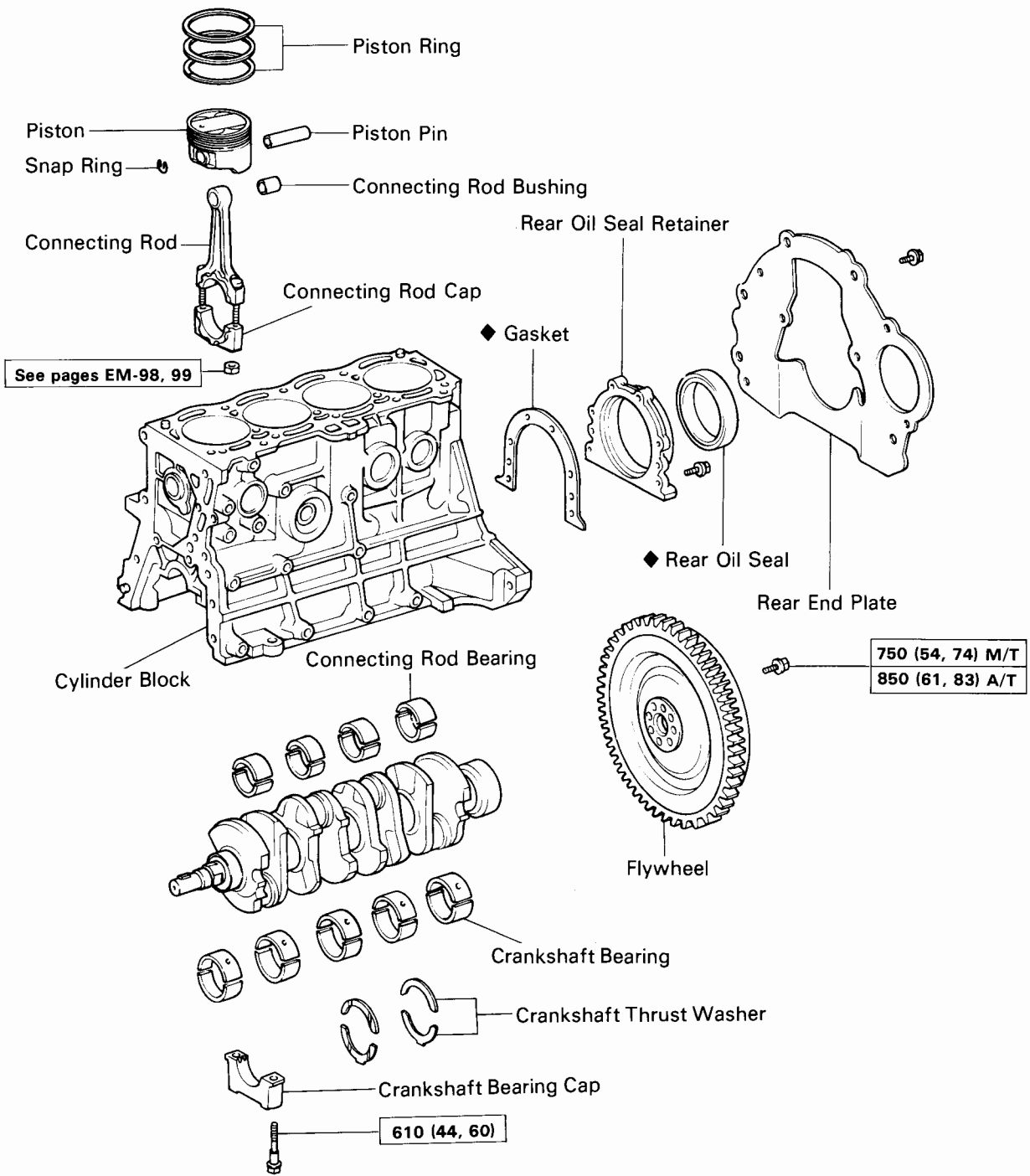
**36. INSTALL ENGINE UNDER COVER**

**37. PERFORM ROAD TEST**

Check for abnormal noise, shock, slippage, correct shift points and smooth operation.

**38. RECHECK ENGINE COOLANT AND ENGINE OIL LEVELS**

# CYLINDER BLOCK COMPONENTS

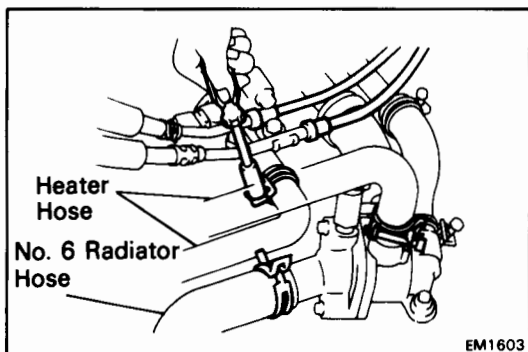


kg-cm (ft-lb, N·m) : Specified torque

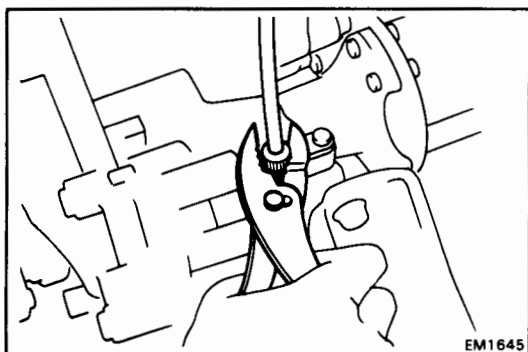
◆ Non-reusable part

**REMOVAL OF ENGINE (4A-GE)**

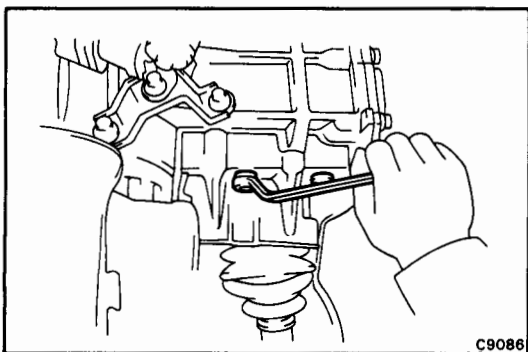
1. **DISCONNECT CABLE FROM NEGATIVE TERMINAL OF BATTERY**
2. **REMOVE FUEL TANK PROTECTORS AND ENGINE UNDER COVER**
3. **DRAIN ENGINE OIL**
4. **DRAIN ENGINE COOLANT (See page CO-3)**
5. **DISCONNECT FOLLOWING CABLES:**
  - Accelerator cable
  - (w/ Cruise control)  
Cruise control cable
  - (A/T vehicle)  
A/T throttle cable
6. **DISCONNECT CRUISE CONTROL VACUUM HOSE**
7. **REMOVE BATTERY**
8. **REMOVE AIR FLOW METER WITH NO. 1 AIR HOSE**
9. **DISCONNECT HEATER HOSES AND NO. 6 RADIATOR HOSE**
  - (a) Disconnect the heater hoses from the cylinder head rear cover and water inlet housing.
  - (b) Disconnect the No. 6 radiator hose from the water inlet.
10. **DISCONNECT AIR BLEEDER HOSE FROM WATER INLET HOUSING**
11. **DISCONNECT FUEL HOSE FROM FILTER**
12. **DISCONNECT FUEL RETURN HOSE**
13. **DISCONNECT VACUUM HOSE FROM CHARCOAL CANISTER**
14. **DISCONNECT FOLLOWING CONNECTORS:**
  - Engine wire and engine main wire connector
  - (M/T vehicle)  
Back-up light switch connector
15. **DISCONNECT SPEEDOMETER CABLE**
16. (M/T vehicle)  
**REMOVE TRANSAXLE PROTECTOR**
17. **REMOVE GROUND STRAP FROM WATER INLET HOUSING**



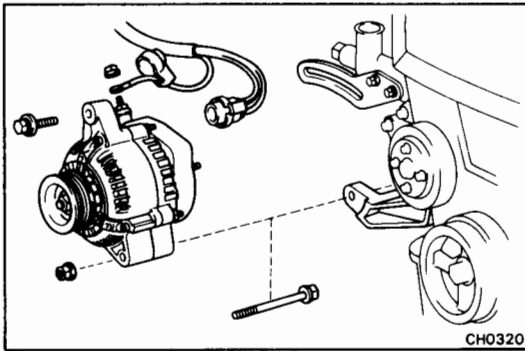
EM1603



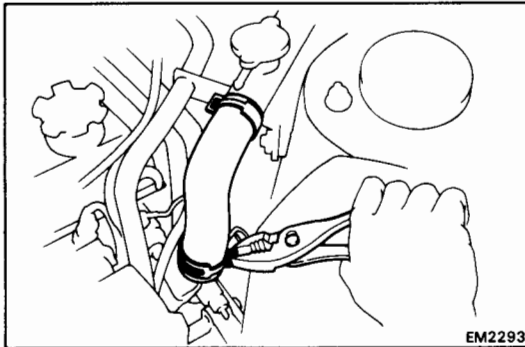
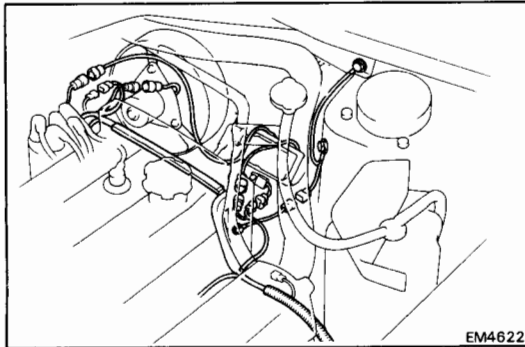
EM1645



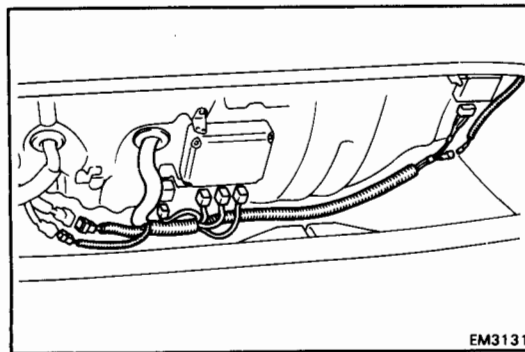
C9086

**18. REMOVE RADIATOR RESERVOIR TANK****19. REMOVE AIR CONDITIONER DRIVE BELT**

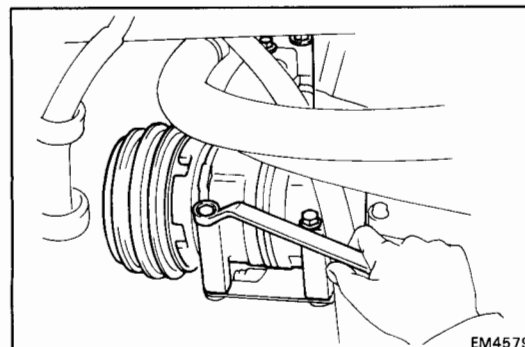
Loosen the lock nut and adjusting bolt. Remove the drive belt.

**20. REMOVE ALTERNATOR (See page CH-7)****21. DISCONNECT NO. 1 RADIATOR HOSE FROM WATER OUTLET HOUSING****22. DISCONNECT BRAKE BOOSTER HOSE****23. DISCONNECT FOLLOWING CONNECTORS:**

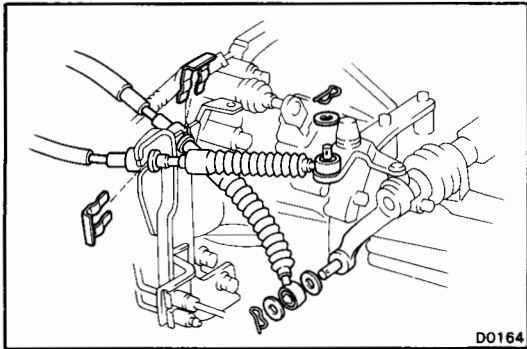
- Two igniter connectors
- Noise filter connector
- Engine compartment cooling fan motor connector
- Ground strap connector (between cylinder head and body)
- (w/ A/C)  
Compressor connector

**24. DISCONNECT HIGH-TENSION CORD FROM IGNITION COIL****25. PULL OUT ENGINE WIRE HARNESS TO ENGINE COMPARTMENT**

- (a) Remove the rear luggage compartment trim with the five clips.
- (b) Disconnect following connectors:
  - Circuit opening relay connector
  - ECU connectors
  - Cooling fan computer connector
  - Engine wire and engine main wire connectors
- (c) Pull out wire harness to the engine compartment.

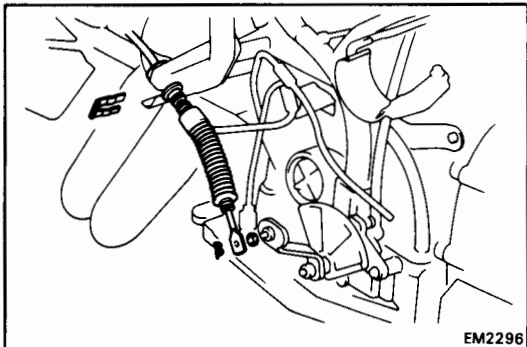
**26. (w/ A/C)  
DISCONNECT A/C COMPRESSOR**

- (a) Remove the four compressor mounting bolts.
- (b) Move the compressor aside and suspend it.



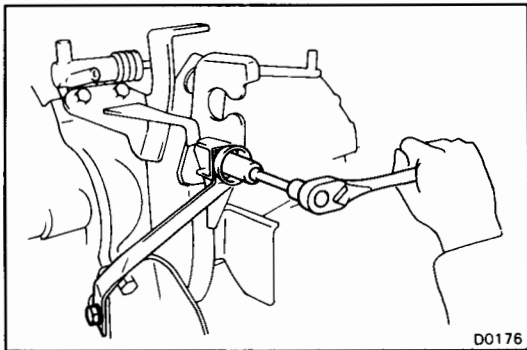
**27. DISCONNECT CONTROL CABLES  
(M/T vehicle)**

- (a) Remove the clips, washers and retainers.
- (b) Disconnect the control cables from the shift outer lever and select lever.



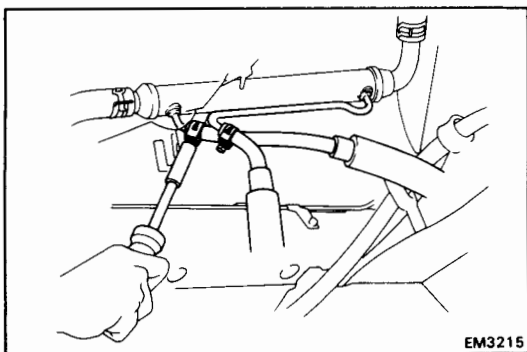
**(A/T vehicle)**

- (a) Remove the clip and retainer.
- (b) Disconnect the control cable from the shift lever.

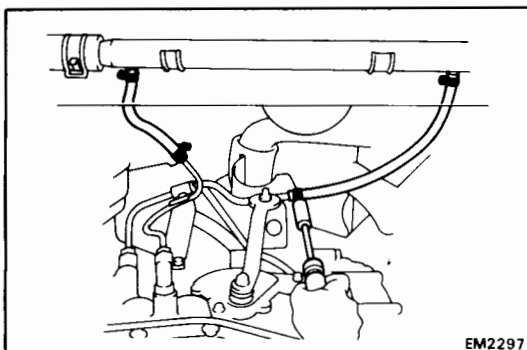


**28. (M/T vehicle)  
REMOVE CLUTCH RELEASE CYLINDER AND  
CONTROL BRACKET**

- (a) Remove the two bolts and No. 2 control cable bracket.
- (b) Remove the three bolts and control bracket and clutch release cylinder.



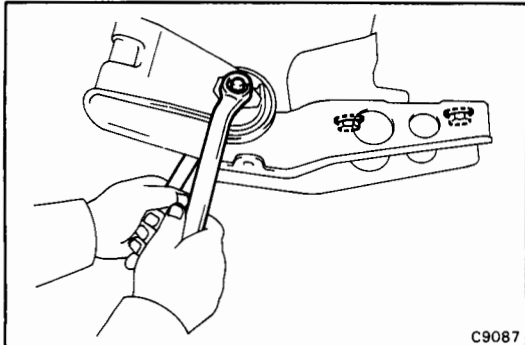
**29. (w/ Oil cooler)  
DISCONNECT ENGINE OIL COOLER HOSES**



**30. (w/ A/T)  
DISCONNECT A/T OIL COOLER HOSES**

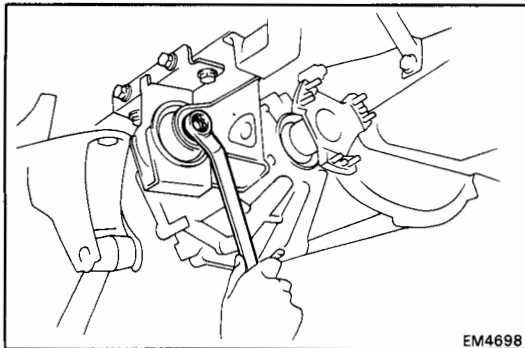
**31. REMOVE FRONT EXHAUST PIPE**  
(See page LU-5)

**32. REMOVE REAR DRIVE SHAFTS**  
(See page RA-15)



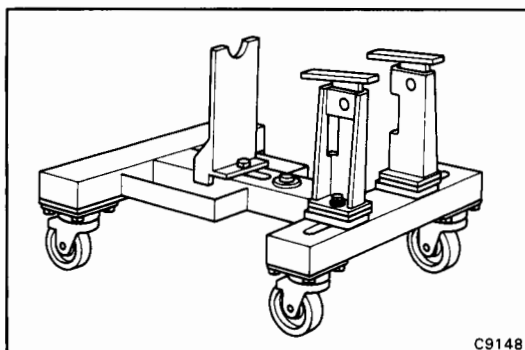
**33. REMOVE FRONT MOUNTING INSULATOR**

- (a) Remove the mounting through bolt.
- (b) Remove the two mount bolts.



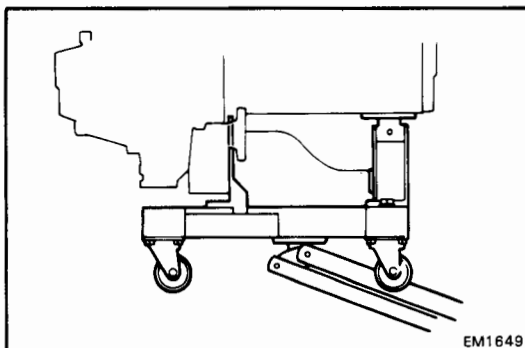
**34. REMOVE REAR MOUNTING INSULATOR**

- (a) Remove the mounting through bolt.
- (b) Remove the four mount bolts.



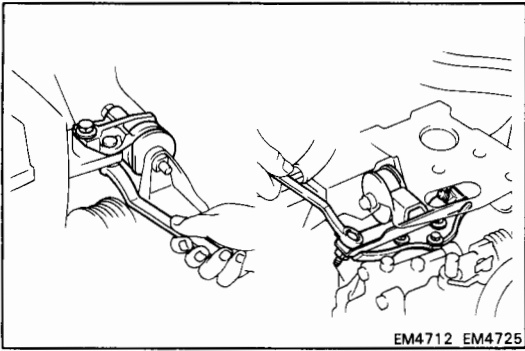
**35. REMOVE ENGINE WITH TRANSAXLE**

NOTE: Prepare an engine saddle in advance as shown.

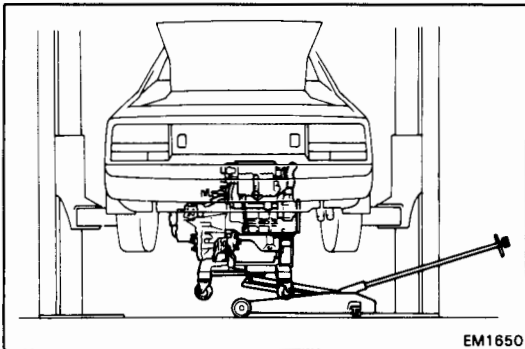


- (a) Lower the vehicle while supporting the engine with the engine saddle.





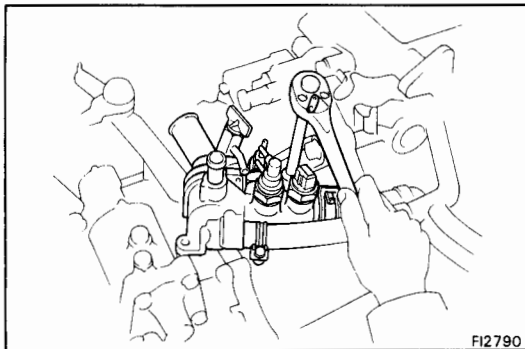
- (b) Remove the two bolts and nuts holding the RH mounting bracket and RH mounting insulator.
- (c) Remove the two (M/T) or three (A/T) bolts holding the LH mounting insulator and transaxle bracket.



- (d) Slowly raise the vehicle.

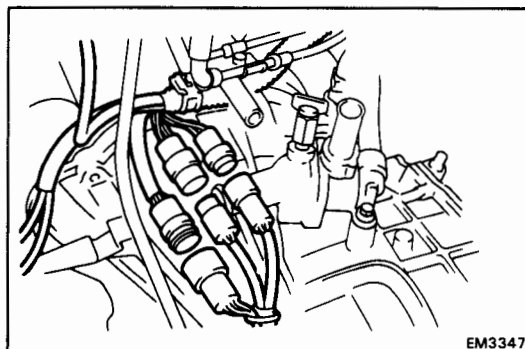
**CAUTION:** Be careful not to damage the throttle position sensor.

- (e) Make sure the engine is clear of all wiring, hoses and cables.



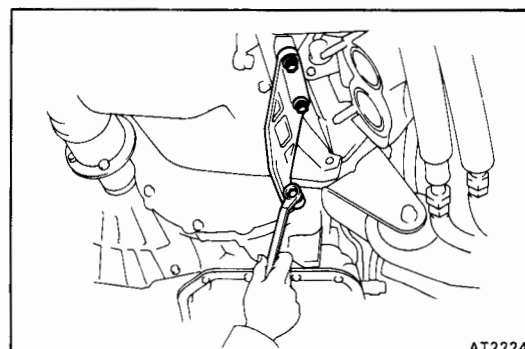
### 36. REMOVE WATER INLET WITH HOUSING

- (a) Disconnect the start injector time switch connector.
- (b) Disconnect the vacuum hoses from BSVs.
- (c) Remove the water inlet housing mounting nut.
- (d) Disconnect the two hoses from the No. 1 and No. 2 water by-pass pipes, and remove the water inlet housing.



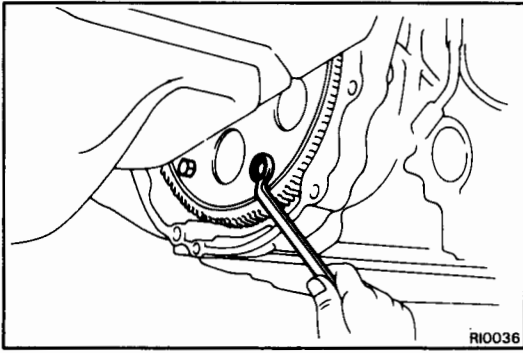
### 37. DISCONNECT FOLLOWING CONNECTORS:

- Back-up and neutral start switch connector
- Neutral start switch connector
- Transmission solenoid connector



### 38. REMOVE FLYWHEEL HOUSING UNDER COVER

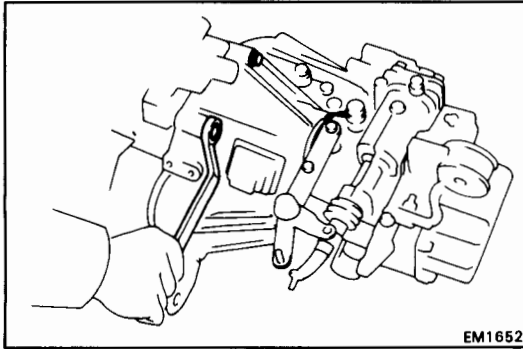
- (a) (A/T vehicle)  
Remove the three bolts and stiffener plate.
- (b) Remove the three bolts (M/T) or two bolts (A/T) and under cover.



**39. (A/T vehicle)  
REMOVE SIX TORQUE CONVERTER MOUNTING  
BOLTS**

Turn the crankshaft to gain access to each bolt. Remove the six bolts.

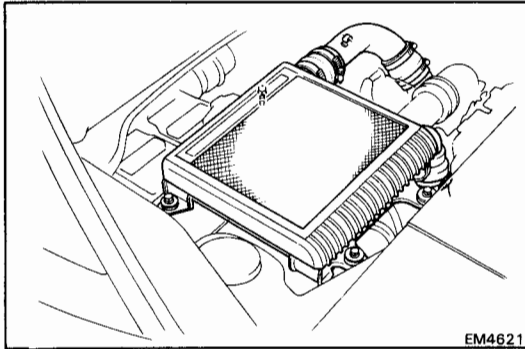
**40. REMOVE STARTER (See page ST-3)**



**41. REMOVE TRANSAXLE FROM ENGINE**

**REMOVAL OF ENGINE (4A-GZE)**

1. **DISCONNECT CABLE FROM NEGATIVE TERMINAL OF BATTERY**
2. **REMOVE FUEL TANK PROTECTORS AND ENGINE UNDER COVER**
3. **DRAIN ENGINE OIL**
4. **DRAIN ENGINE COOLANT (See page CO-3)**



EM4621

5. **REMOVE INTERCOOLER**

Disconnect the two hose clamps, and remove the four bolts and intercooler.

6. **REMOVE BATTERY**

7. **DISCONNECT FOLLOWING HOSES:**

- (a) (w/ A/C)  
A/C idle up vacuum hoses
- (b) Charcoal canister vacuum hose
- (c) (w/ Cruise control)  
Cruise control vacuum hose
- (d) Air bleeder hose from water inlet housing

8. **(A/T vehicle)  
DISCONNECT A/T THROTTLE CABLE**

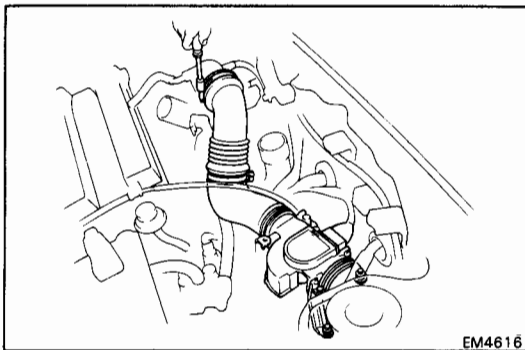
9. **REMOVE AIR FLOW METER WITH NO. 3 AIR CLEANER HOSE**

- (a) Disconnect the EGR VSV connector.
- (b) Disconnect the air flow meter connector.
- (c) Remove the bolt and EGR VSV.
- (d) Loosen the two clamps, and remove the three bolts and air flow meter with No. 3 air cleaner hose.

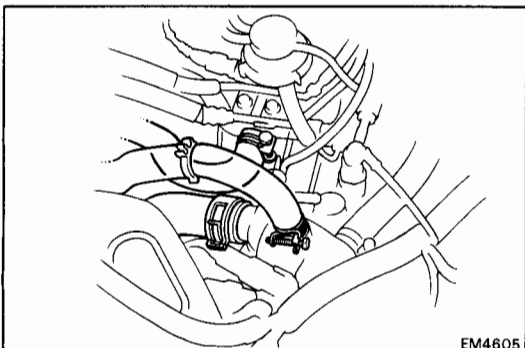
10. **DISCONNECT ACCELERATOR CABLE**

11. **(w/ Cruise control)  
DISCONNECT CRUISE CONTROL CABLE**

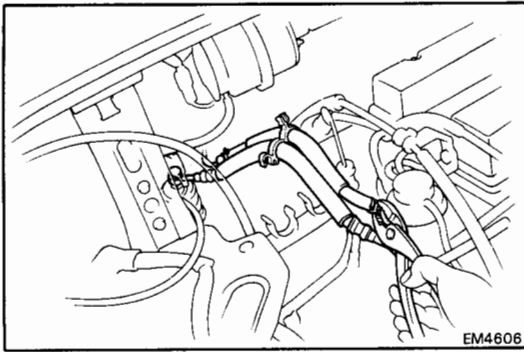
12. **DISCONNECT HEATER HOSES AND NO. 6 RADIATOR HOSE**



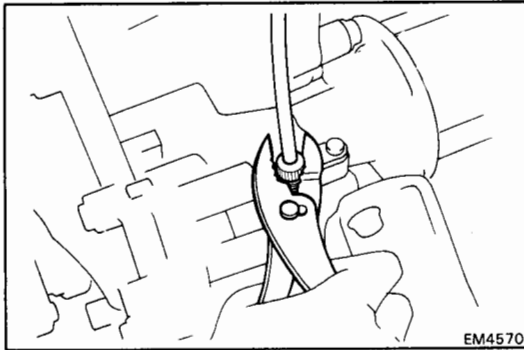
EM4616



EM4605



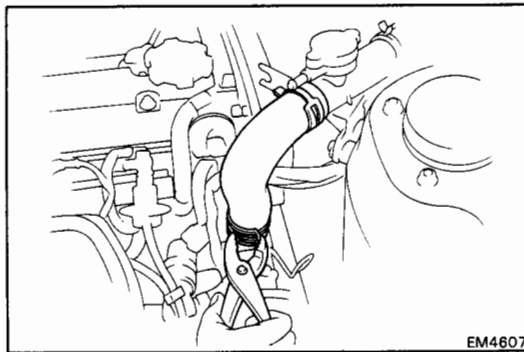
**13. DISCONNECT FUEL INLET AND RETURN HOSES**



**14. DISCONNECT SPEEDOMETER CABLE**

**15. DISCONNECT BRAKE BOOSTER VACUUM HOSE**

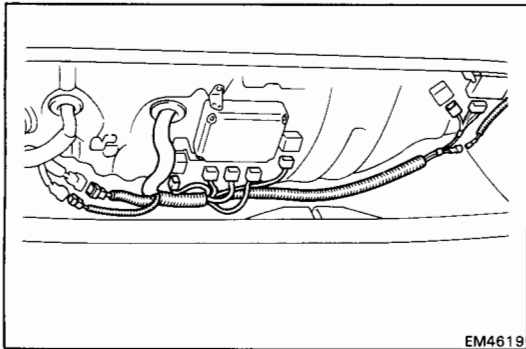
**16. REMOVE RADIATOR RESERVOIR TANK**



**17. DISCONNECT NO. 1 RADIATOR HOSE FROM WATER OUTLET HOUSING**

**18. DISCONNECT FOLLOWING CONNECTORS AND WIRES:**

- (a) (A/T vehicle)  
Two neutral start switch connectors
- (b) (A/T vehicle)  
Solenoid connector
- (c) (A/T vehicle)  
Speed sensor connector
- (d) Cold start injector time switch connector
- (e) (M/T vehicle)  
Back-up light switch connector
- (f) Ground strap from water inlet housing
- (g) Two engine wire connectors
- (h) Check connector
- (i) High-tension cord from ignition coil
- (j) Igniter connector
- (k) Noise filter connector
- (l) Engine compartment cooling fan connector
- (m) Ground strap connector (between cylinder head and body)
- (n) (w/ A/C)  
Two A/C compressor connectors
- (o) Solenoid resistor connector



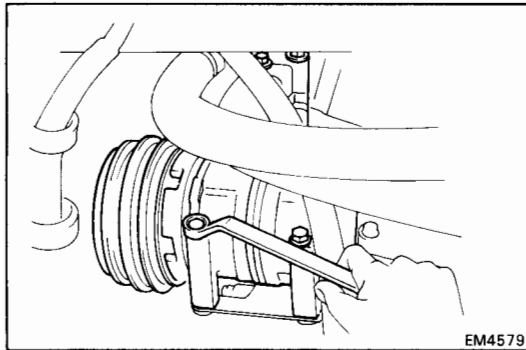
EM4619

### 19. PULL OUT ENGINE WIRE HARNESS TO ENGINE COMPARTMENT

- (a) Remove the five clips and rear luggage compartment trim.
- (b) Disconnect the following connectors:
  - Circuit opening relay connector
  - ECU connectors
  - Cooling fan computer connector
  - Supercharger relay connector
  - IC regulator connector
  - Engine wire and engine main wire connectors
- (c) Pull out the wire harness to the engine compartment.

### 20. (w/ A/C) REMOVE A/C DRIVE BELT

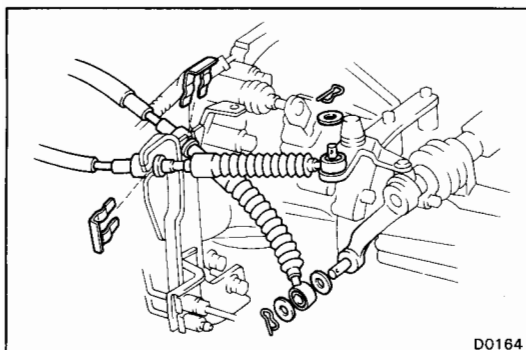
Loosen the idle pulley lock nut and adjusting bolt, and remove the drive belt.



EM4579

### 21. (w/ A/C) DISCONNECT A/C COMPRESSOR

- (a) Remove the four compressor mounting bolts.
- (b) Move the compressor aside and suspend it.

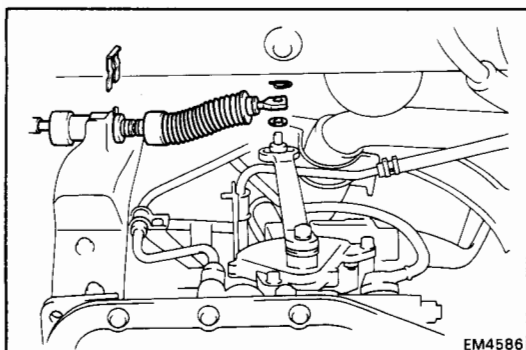


D0164

### 22. DISCONNECT CONTROL CABLES

(M/T vehicle)

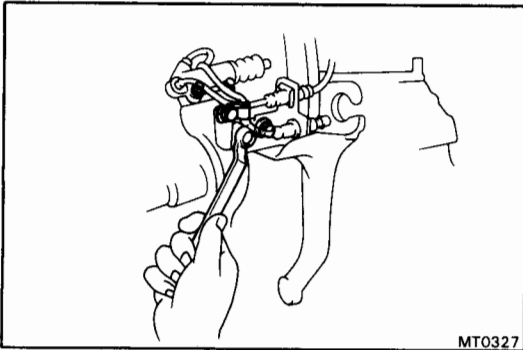
- (a) Remove the clips, washers and retainers.
- (b) Disconnect the control cables from the shift outer lever and select lever.



EM4586

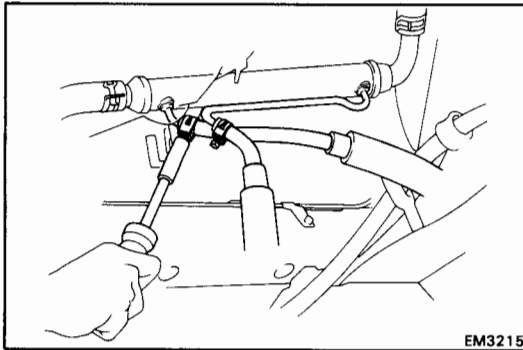
(A/T vehicle)

- (a) Remove the clip and retainer.
- (b) Disconnect the control cable from the shift lever.



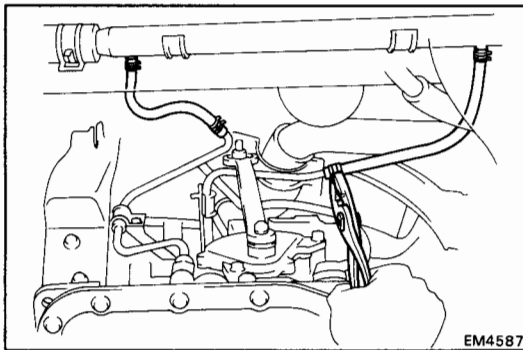
MT0327

- 23. (M/T vehicle)  
REMOVE CLUTCH RELEASE CYLINDER AND  
CONTROL BRACKET**



EM3215

- 24. DISCONNECT ENGINE OIL COOLER HOSES**

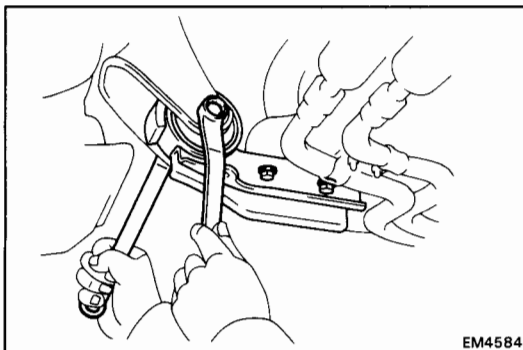


EM4587

- 25. (A/T vehicle)  
DISCONNECT A/T OIL COOLER HOSES**

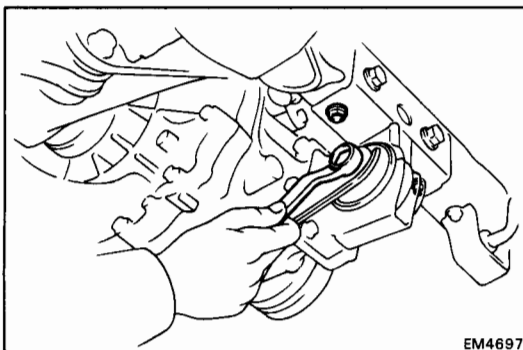
- 26. REMOVE FRONT EXHAUST PIPE  
(See page LU-5)**

- 27. REMOVE REAR DRIVE SHAFTS  
(See page RA-15)**



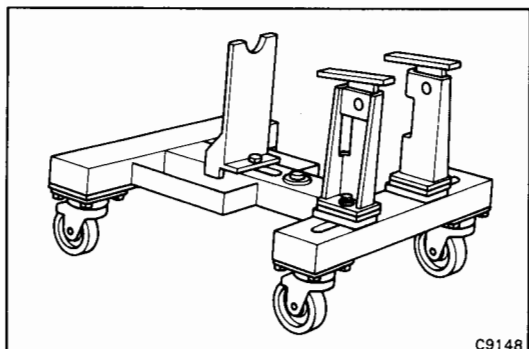
EM4584

- 28. REMOVE FRONT MOUNTING INSULATOR**
- (a) Remove the mounting through bolt.
  - (b) Remove the two mount bolts and insulator.



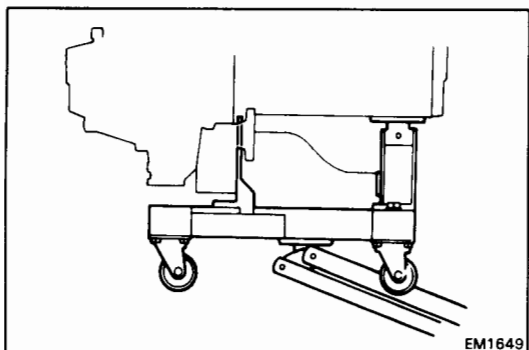
EM4697

- 29. REMOVE REAR MOUNTING INSULATOR**
- (a) Remove the mounting through bolt.
  - (b) Remove the four mount bolts and insulator.

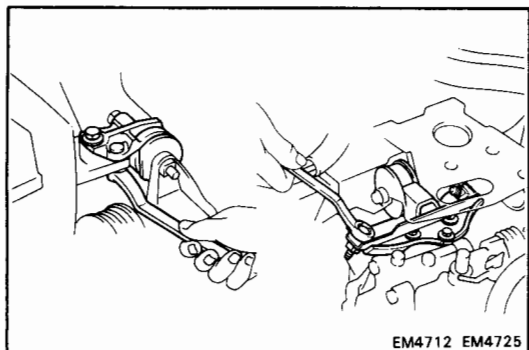


### 30. REMOVE ENGINE WITH TRANSAXLE

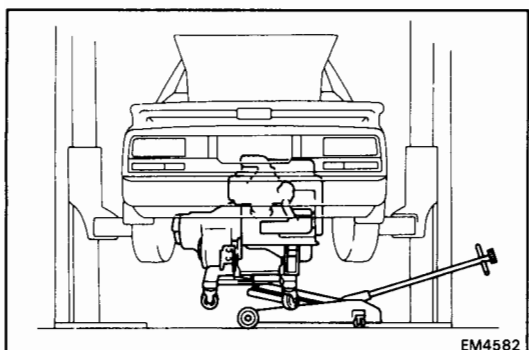
NOTE: Prepare an engine saddle in advance as shown.



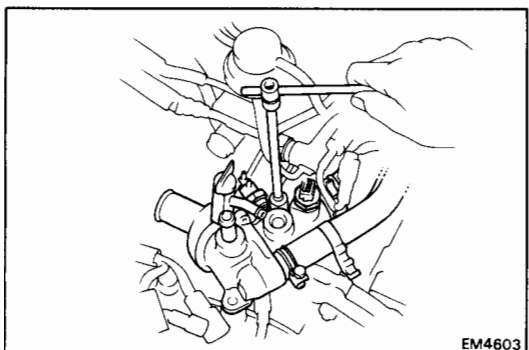
- (a) Lower the vehicle while supporting the engine with the engine saddle.



- (b) Remove the two bolts and nuts holding the RH mounting bracket and RH mounting insulator.  
 (c) Remove the two (M/T) or three (A/T) bolts holding the LH mounting insulator and transaxle bracket.

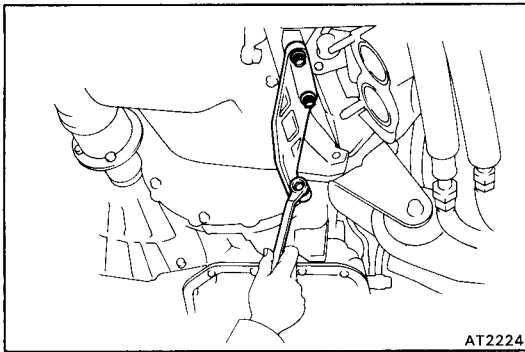


- (d) Slowly raise the vehicle.  
 (e) Check that the engine is clear of all wiring, hoses and cables.

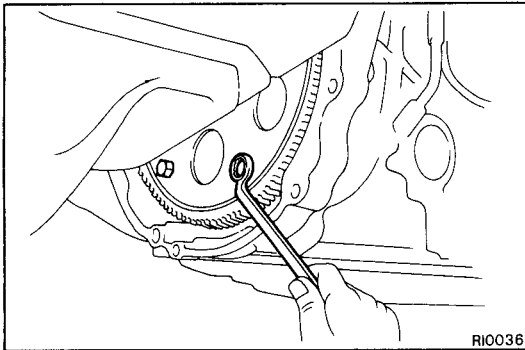


### 31. REMOVE WATER INLET WITH HOUSING

- (a) Disconnect the vacuum hoses from BVSV.  
 (b) Remove the water inlet with housing mounting nut.  
 (c) Disconnect the two hoses from the No. 1 and No. 2 water by-pass pipes, and remove the water inlet housing.

**32. REMOVE FLYWHEEL HOUSING UNDER COVER**

- (a) (A/T vehicle)  
Remove the three bolts and stiffener plate.
- (b) Remove the three bolts (M/T) or two bolts (A/T) and under cover.

**33. (A/T vehicle)  
REMOVE SIX TORQUE CONVERTER MOUNTING BOLTS**

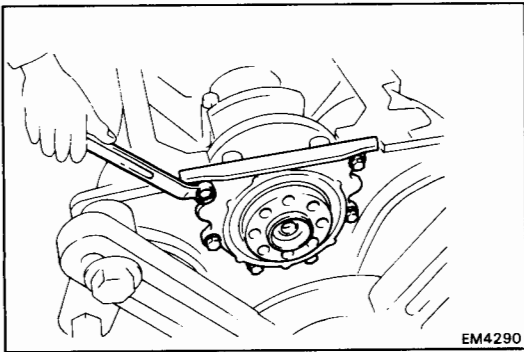
Turn the crankshaft to gain access to each bolt. Remove the six bolts.

**34. REMOVE STARTER (See page ST-3)****35. REMOVE TRANSAXLE FROM ENGINE**



**PREPARATION FOR DISASSEMBLY**

1. (M/T)  
REMOVE CLUTCH COVER AND DISC
2. (M/T)  
REMOVE FLYWHEEL
3. (A/T)  
REMOVE DRIVE PLATE
4. REMOVE REAR END PLATE
5. INSTALL ENGINE TO ENGINE STAND FOR ASSEMBLY
6. (w/ A/C)  
REMOVE A/C COMPRESSOR BRACKET
7. (4A-GE)  
REMOVE ALTERNATOR BRACKET
8. (4A-GZE)  
REMOVE ALTERNATOR AND BRACKET
9. REMOVE DISTRIBUTOR (See page IG-9)
10. REMOVE TIMING BELT (See page EM-15)
11. REMOVE CYLINDER HEAD  
4A-GE (See page EM-26)  
4A-GZE (See page EM-55)
12. REMOVE WATER PUMP (See page CO-7)
13. REMOVE OIL FILTER BRACKETS  
(See steps 3 to 6 on pages LU-13, 14)
14. REMOVE OIL PAN, STRAINER, BAFFLE PLATE AND OIL PUMP  
(See steps 7 to 11 on pages LU-6, 7)



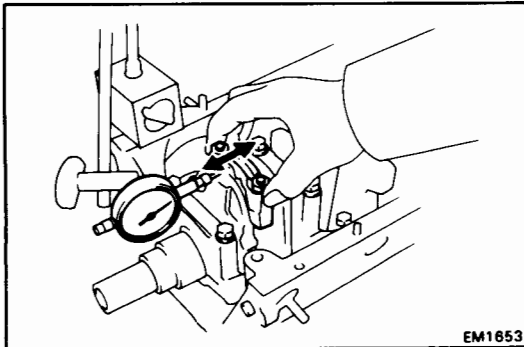
EM4290

## DISASSEMBLY OF CYLINDER BLOCK

(See page EM-66)

### 1. REMOVE REAR OIL SEAL RETAINER

Remove the six bolts, rear oil seal retainer and gasket.



EM1653

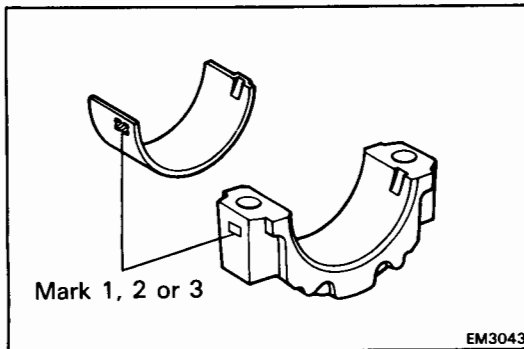
### 2. MEASURE CONNECTING ROD THRUST CLEARANCE

Using a dial indicator, measure the thrust clearance while moving the rod back and forth.

**Standard thrust clearance:** 0.15 – 0.25 mm  
(0.0059 – 0.0098 in.)

**Maximum thrust clearance:** 0.30 mm (0.0118 in.)

If the clearance is greater than maximum, replace the connecting rod assembly. If necessary replace the crankshaft.



EM3043

### 3. REMOVE ROD CAPS AND MEASURE OIL CLEARANCE

**NOTE:** If replacing the bearing, replace with one having the same number as marked on the bearing cap.

There are three sizes of standard bearings supplied, marked 1, 2 or 3 respectively.

**Bearing thickness (at center wall):**

**STD**

**Mark 1** 1.486 – 1.490 mm  
(0.0585 – 0.0587 in.)

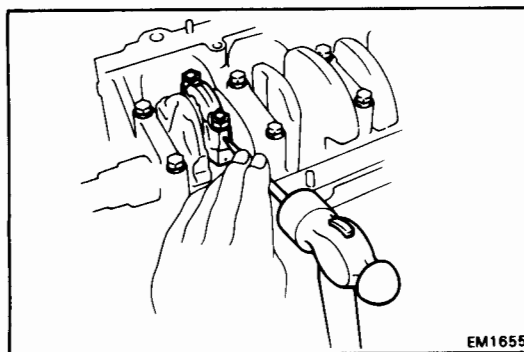
**Mark 2** 1.490 – 1.494 mm  
(0.0587 – 0.0588 in.)

**Mark 3** 1.494 – 1.498 mm  
(0.0588 – 0.0590 in.)

**U/S**

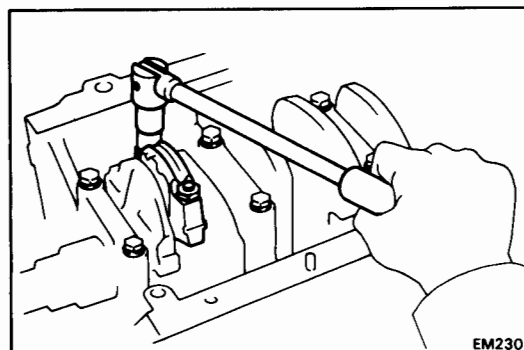
**0.25** 1.607 – 1.613 mm (0.0633 – 0.0635 in.)

- (a) Using a punch or numbering stamp, place the matchmarks on the rod and cap to ensure correct assembly.

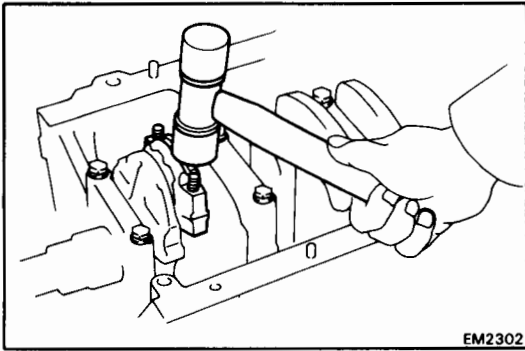


EM1655

- (b) Remove the rod cap nuts.

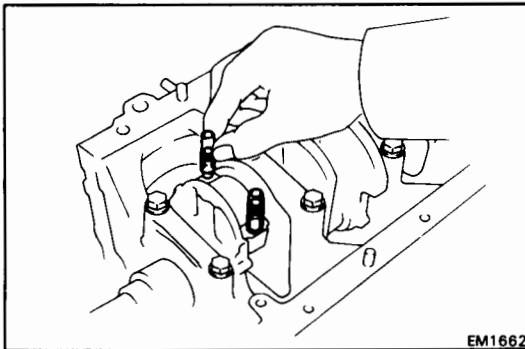


EM2301

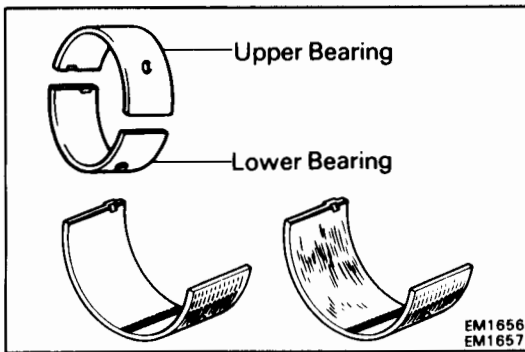


- (c) Using a plastic-faced hammer, lightly tap the connecting rod bolt and lift off the cap and lower bearing.

**NOTE:** Keep the lower bearing inserted with the cap.



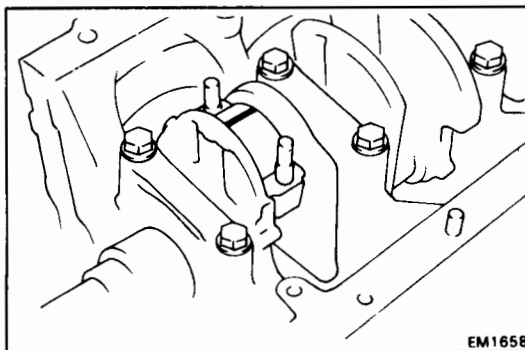
- (d) Cover the connecting rod bolts with a short piece of hose to protect the crankshaft from damage.



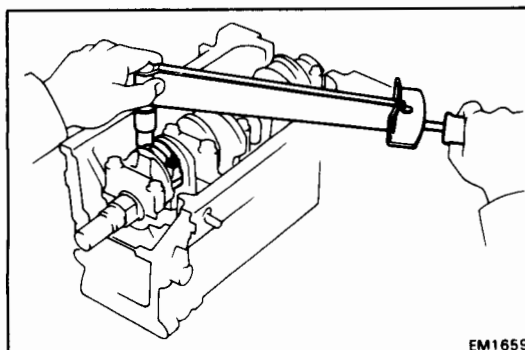
- (e) Clean the crank pin and bearing.

- (f) Check the crank pin and bearing for pitting and scratches.

If the crank pin or bearing are damaged, replace the bearing. If necessary grind or replace the crankshaft.



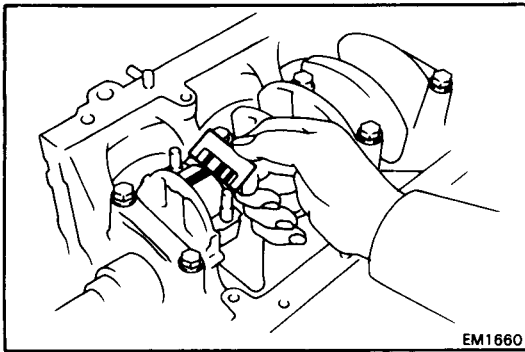
- (g) Lay a strip of Plastigage across the crankshaft pin.



- (h) Install the connecting rod cap.  
(See step 6 on page EM-98)

**NOTE:** Do not turn the crankshaft.

- (i) Remove the rod cap. (See procedure (b) and (c) above.)



(j) Measure the Plastigage at its widest point.

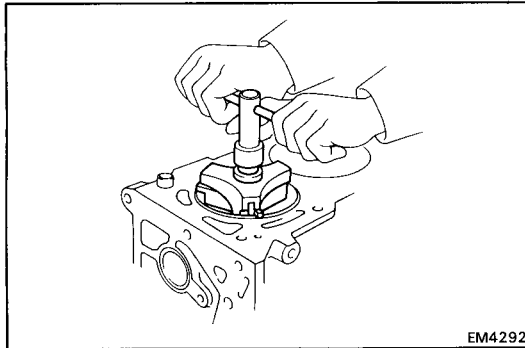
**Standard oil clearance:**

<b>STD</b>	<b>0.020 – 0.051 mm</b> <b>(0.0008 – 0.0020 in.)</b>
<b>U/S 0.25</b>	<b>0.019 – 0.073 mm</b> <b>(0.0007 – 0.0029 in.)</b>

**Maximum oil clearance: 0.08 mm (0.0031 in.)**

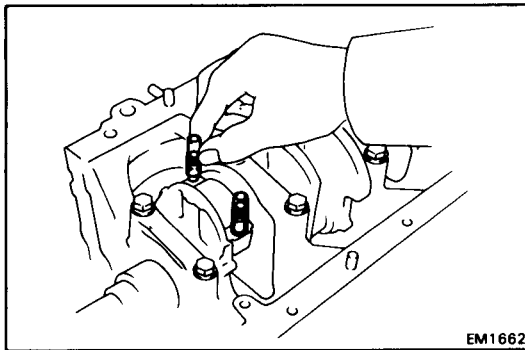
If the clearance is greater than maximum, replace the bearings. If necessary, grind or replace the crankshaft.

(k) Completely remove the Plastigage.



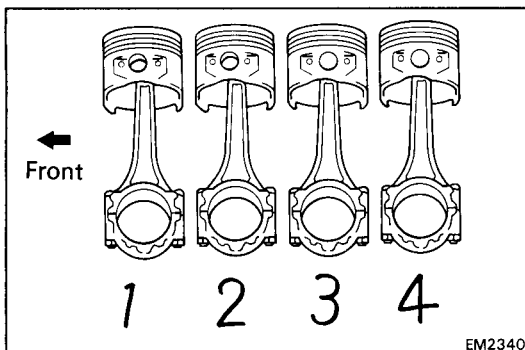
#### 4. PUSH OUT PISTON AND CONNECTING ROD ASSEMBLIES

(a) Remove all the carbon from the top of the cylinder.



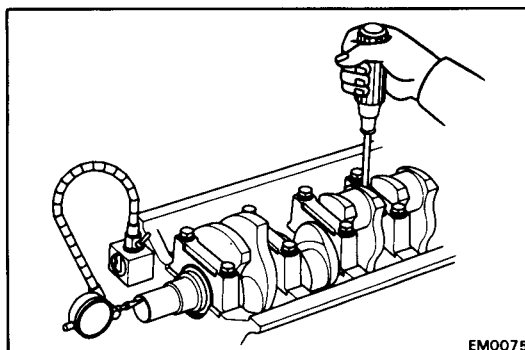
(b) Cover the rod bolts with a short piece of hose to protect the crankshaft from damage.

(c) Push out the piston and connecting rod assembly and the upper bearing through the top of the cylinder block.



NOTE:

- Keep the inserted bearing, connecting rod and cap together.
- Arrange the piston and connecting rod assemblies in correct order.



#### 5. CHECK CRANKSHAFT THRUST CLEARANCE

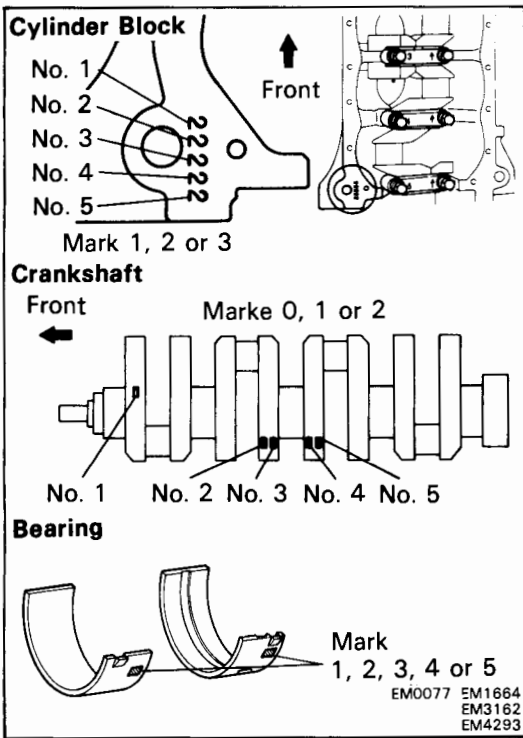
Using a dial indicator, measure the thrust clearance while prying the crankshaft back and forth with a screwdriver.

**Standard thrust clearance: 0.02 – 0.22 mm**  
**(0.0008 – 0.0087 in.)**

**Maximum thrust clearance: 0.30 mm (0.0118 in.)**

If the clearance is greater than maximum, replace the thrust washers as a set.

**Thrust washer thickness: 2.440 – 2.490 mm**  
**(0.0961 – 0.0980 in.)**



**6. REMOVE MAIN BEARING CAPS AND MEASURE OIL CLEARANCE**

NOTE: If replacing a bearing, replace with one having the same number. If the number of the bearing cannot be determined, select a bearing from the table below according to the numbers imprinted on the cylinder block and crankshaft.

	Number marked								
	1	2	3	1	2	3	1	2	3
Cylinder Block	1	2	3	1	2	3	1	2	3
Crankshaft	0	0	0	1	1	1	2	2	2
Bearing	1	2	3	2	3	4	3	4	5

Example: Cylinder Block "2", Crankshaft "1" = Bearing "3"

**(Reference)**

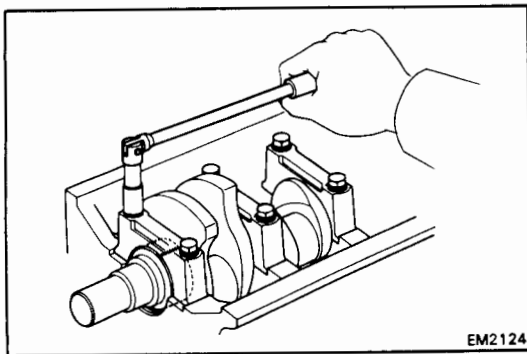
mm (in.)					
No.	Cylinder block main journal bore	No.	Crankshaft diameter	No. ★ Bearing thickness	
1	52.025-52.031 (2.0482-2.0485)	0	47.994-48.000 (1.8895-1.8898)	1	2.002-2.005 (0.0788-0.0789)
				2	2.005-2.008 (0.0789-0.0791)
2	52.031-52.037 (2.0485-2.0487)	1	47.988-47.994 (1.8893-1.8895)	3	2.008-2.011 (0.0791-0.0792)
				4	2.011-2.014 (0.0792-0.0793)
3	52.037-52.043 (2.0487-2.0489)	2	47.982-47.988 (1.8891-1.8893)	5	2.014-2.017 (0.0793-0.0794)

★ Bearing thickness = Center wall thickness

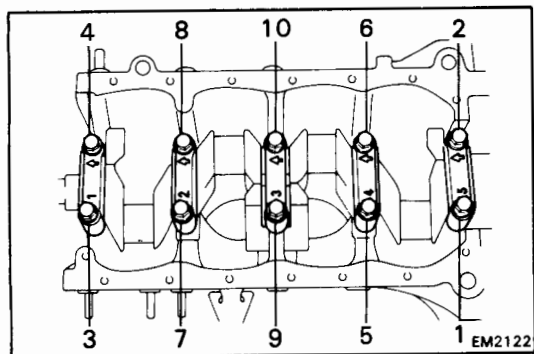
**Bearing thickness (at center wall):**

U/S 0.25

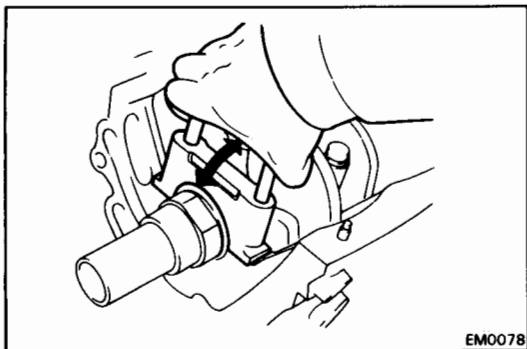
2.121 – 2.127 mm (0.0835 – 0.0837 in.)



- (a) Remove the bearing caps with the lower bearing and lower thrust washers (No. 3 cap only).



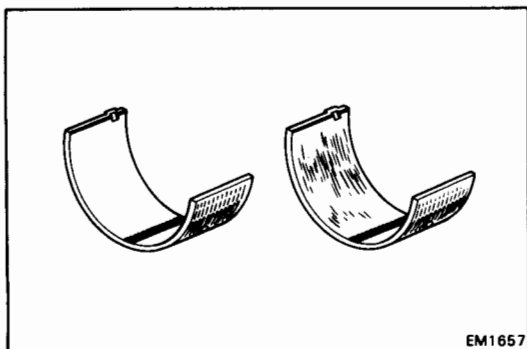
NOTE: Uniformly loosen and remove the main bearing cap bolts in several passes, in the sequence shown.



- (b) Using the removed bearing cap bolts, wiggle the bearing cap back and forth, and remove it with the lower bearing and thrust washers (No. 3 journal only).

## NOTE:

- Keep the lower bearing inserted with the cap.
- Arrange the caps and lower thrust washers in correct order.

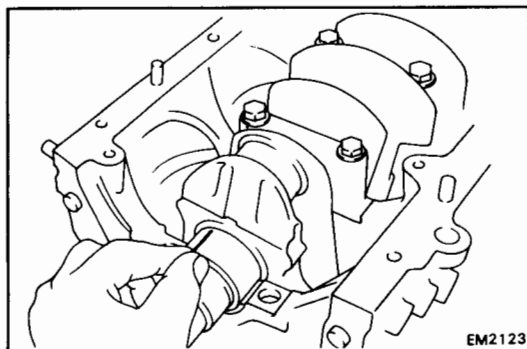


- (c) Lift off the crankshaft.

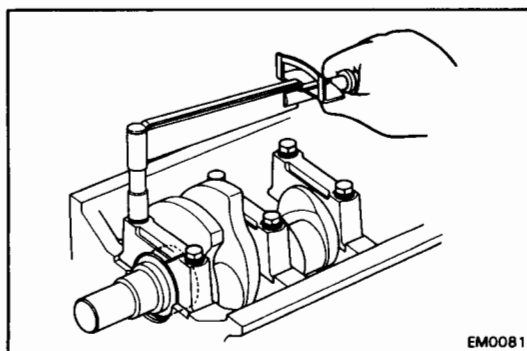
NOTE: Keep the upper bearings and upper thrust washers (No. 3 journal only) inserted in the cylinder block.

- (d) Clean the journals and bearings.  
 (e) Check the journals and bearings for pitting and scratches.

If the journal or bearing is damaged, grind or replace the bearing. If necessary, replace the crankshaft.



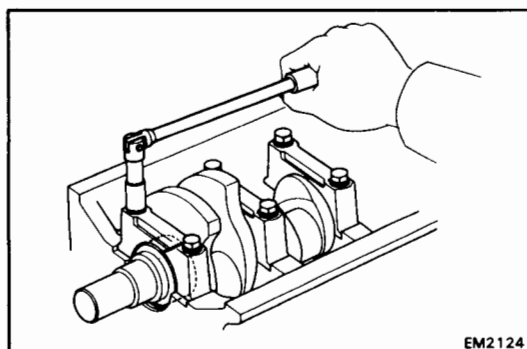
- (f) Place the crankshaft on the cylinder block.  
 (g) Lay a strip of plastigage across each journal.



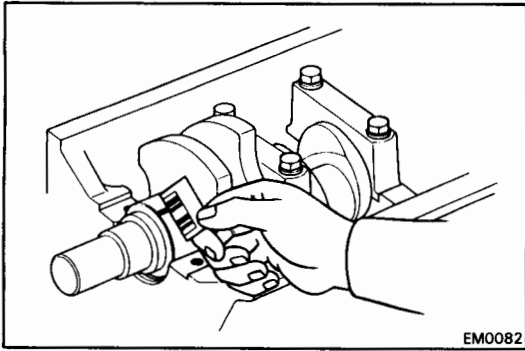
- (h) Install the bearing caps with the lower bearing and lower thrust washers (No. 3 cap only).  
 (See step 4 on page EM-96)

**Torque: 610 kg-cm (44 ft-lb, 60 N·m)**

NOTE: Do not turn the crankshaft.



- (i) Remove the bearing caps with the lower bearing and lower thrust washers.  
 (See procedure (a) and (b) above)



EM0082

(j) Measure the Plastigage at its widest point.

**Standard oil clearance:**

**STD**

**0.015 – 0.033 mm**  
(0.0006 – 0.0013 in.)

**U/S 0.25**

**0.013 – 0.0053 mm**  
(0.0005 – 0.0021 in.)

**Maximum oil clearance: 0.10 mm (0.0039 in.)**

**NOTE:** If replacing the cylinder block subassembly, the bearing standard clearance will be:

0.015 – 0.045 mm (0.0006-0.0018 in.).

If the clearance is greater than maximum, replace the bearings. If necessary, grind or replace the crankshaft.

(k) Completely remove the Plastigage.

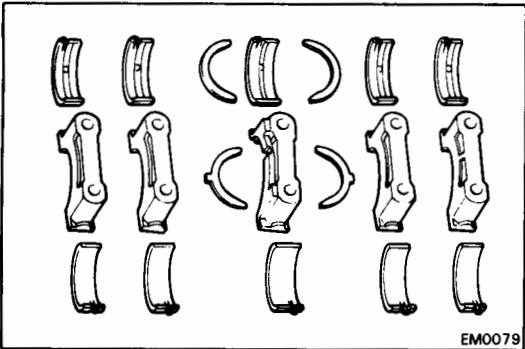
## 7. REMOVE CRANKSHAFT

(a) Lift out the crankshaft.

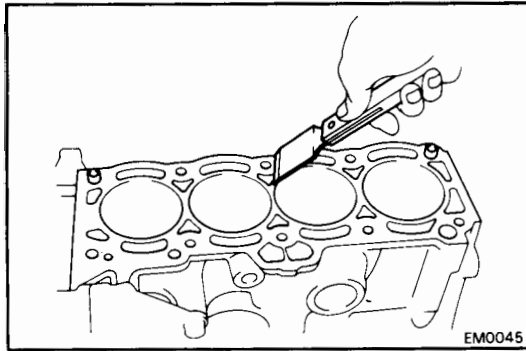
(b) Remove the upper bearings and upper thrust washers from the cylinder block.

**NOTE:**

- Arrange the caps, bearings and thrust washers in correct order.
- The pilot bearing in the crankshaft rear end is permanently lubricated and requires no cleaning or lubrication.



EM0079



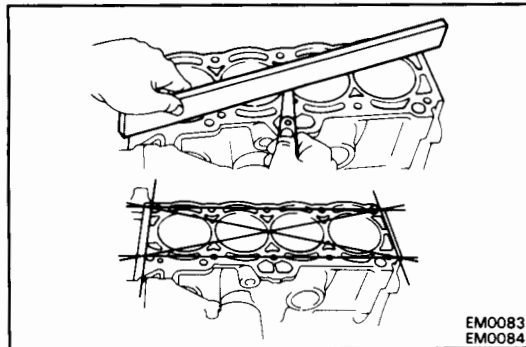
## INSPECTION OF CYLINDER BLOCK

### 1. REMOVE GASKET MATERIAL

Using a gasket scraper, remove all gasket material from the cylinder block surface.

### 2. CLEAN CYLINDER BLOCK

Using a soft brush and solvent, clean the block.

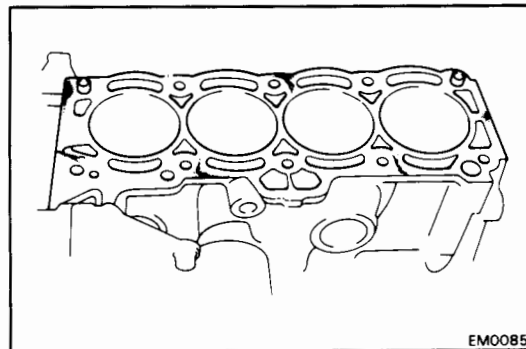


### 3. INSPECT TOP OF BLOCK

Using a precision straight edge and thickness gauge, check the surface contacting the cylinder head gasket for warpage.

**Maximum warpage: 0.05 mm (0.0020 in.)**

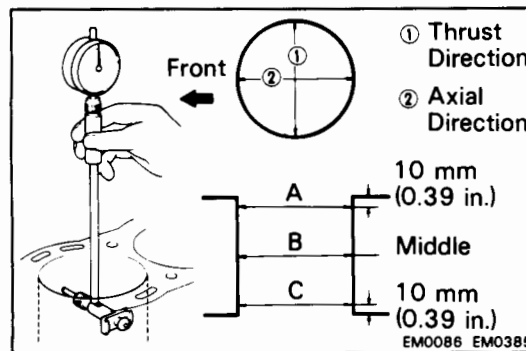
If warpage is greater than maximum, replace the cylinder block.



### 4. INSPECT CYLINDERS

Visually inspect cylinders for vertical scratches.

If deep scratches are present, rebore the cylinder.



### 5. INSPECT CYLINDER BORE DIAMETER

Using a cylinder gauge, measure the cylinder bore diameter at positions A, B and C in the thrust and axial directions.

**Standard diameter:**

**STD 81.00 – 81.03 mm  
(3.1890 – 3.1902 in.)**

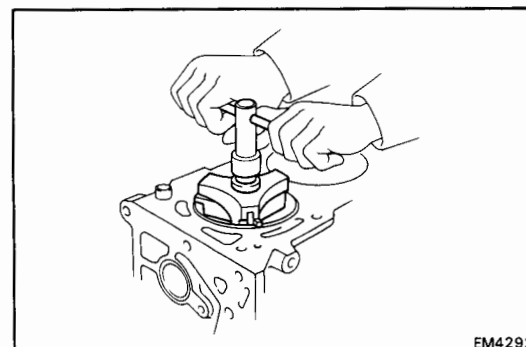
**Maximum diameter:**

**STD 81.23 mm (3.1980 in.)  
O/S 0.50 81.73 mm (3.2177 in.)**

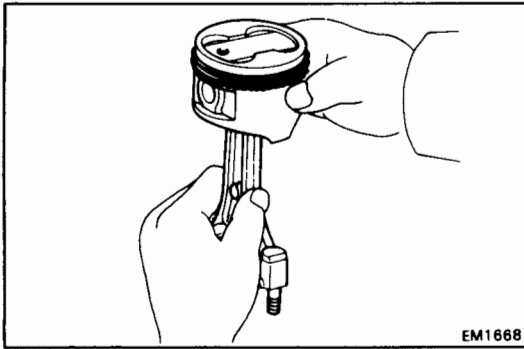
If the diameter is greater than maximum, rebore all four cylinders, or replace the cylinder block.

### 6. REMOVE CYLINDER RIDGE

If the wear is less than 0.2 mm (0.008 in.), use a ridge reamer to machine the top of the cylinder.





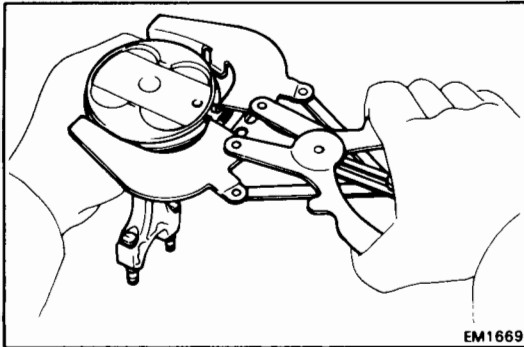


EM1668

## DISASSEMBLY OF PISTON AND CONNECTING ROD ASSEMBLIES

### 1. CHECK FIT BETWEEN PISTON AND PIN

Try to move the piston back and forth on the piston pin. If any movement is felt, replace the piston and pin as set.

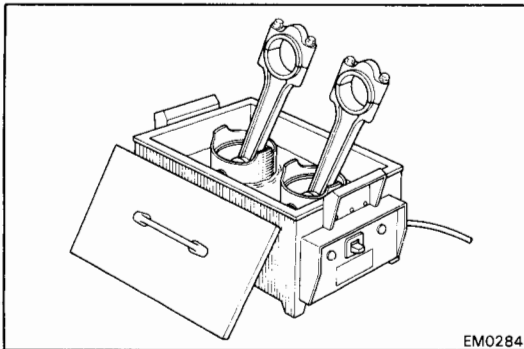


EM1669

### 2. REMOVE PISTON RINGS

- Using a piston ring expander, remove the compression rings.
- Remove the two side rails and oil ring expander by hand.

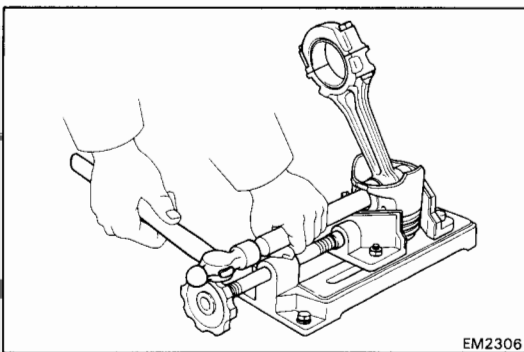
NOTE: Arrange the rings in the correct order.



EM0284

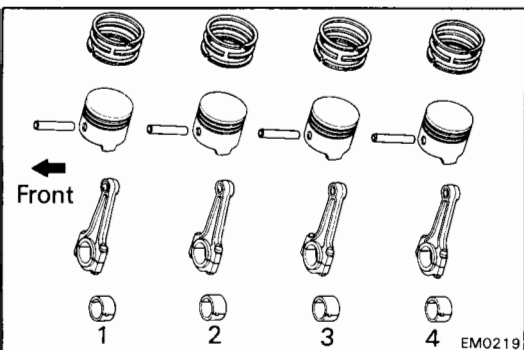
### 3. DISCONNECT CONNECTING ROD FROM PISTON

- Using needle-nose pliers, remove the snap rings.
- Gradually heat the piston to 70 – 80°C (158 – 176°F).



EM2306

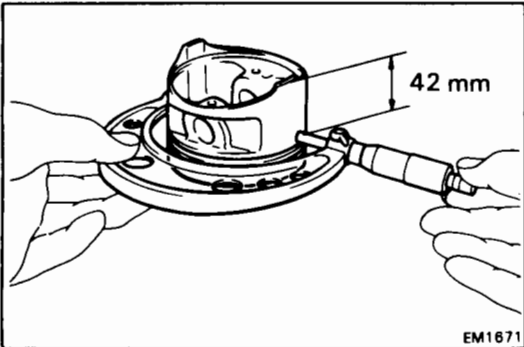
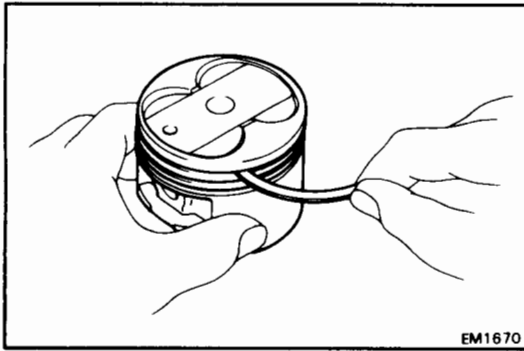
- Using a plastic-faced hammer and brass bar, lightly tap out the piston pin and remove the connecting rod.



EM0219

#### NOTE:

- The piston and pin are a matched set.
- Arrange the piston, pins, rings, connecting rods and bearing in correct order.



## INSPECTION OF PISTON AND CONNECTING ROD ASSEMBLIES

### 1. CLEAN PISTON

- Using a gasket scraper, remove the carbon from the piston top.
- Using a groove cleaning tool or broken ring, clean the ring grooves.
- Using a soft brush and solvent, thoroughly clean the piston.

**CAUTION:** Do not damage the piston.

### 2. INSPECT PISTON DIAMETER AND OIL CLEARANCE

- Using a micrometer and with the piston upside down, measure the piston diameter at right angles to the piston pin center line, 42 mm (1.65 in.) from the skirt bottom edge.

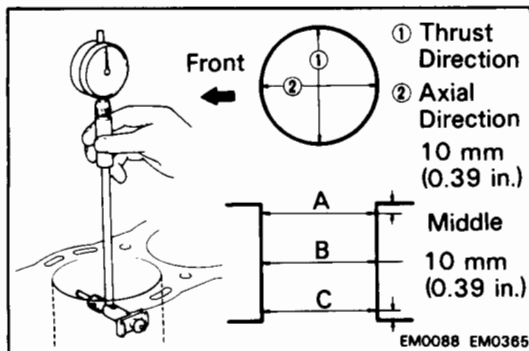
**Piston diameter:**

#### 4A-GE

STD	80.890 – 80.920 mm (3.1846 – 3.1858 in.)
O/S 0.50	81.390 – 81.420 mm (3.2043 – 3.2055 in.)

#### 4A-GZE

STD	80.870 – 80.900 mm (3.1839 – 3.1850 in.)
O/S 0.50	81.370 – 81.400 mm (3.2035 – 3.2047 in.)



- Measure the cylinder bore diameter in thrust directions (See page EM-86) and subtract the piston diameter measurement from the cylinder bore diameter measurement.

**Piston clearance:**

4A-GE	0.10 – 0.12 mm (0.0039 – 0.0047 in.)
4A-GZE	0.12 – 0.14 mm (0.0047 – 0.0055 in.)

If not within specification, replace the pistons. If necessary, rebore or replace the cylinder block.

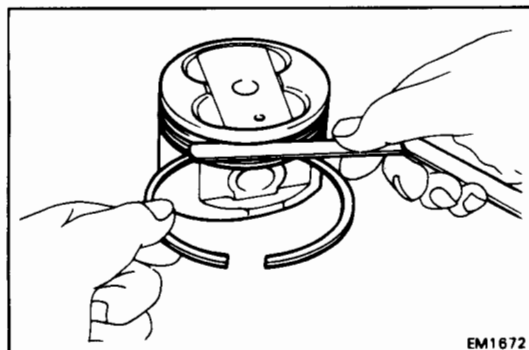
### 3. INSPECT PISTON RING GROOVE CLEARANCE

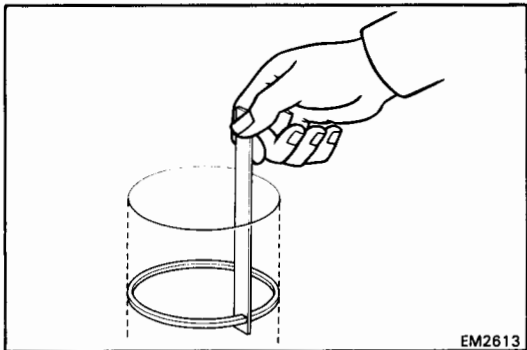
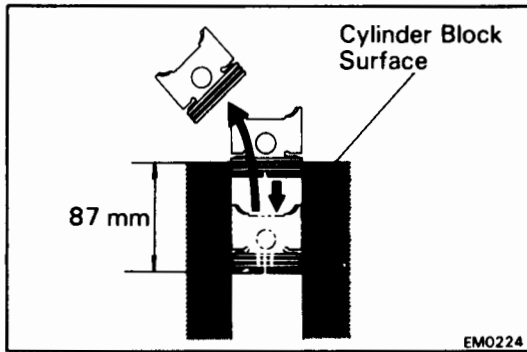
Using a thickness gauge, measure the clearance between the new piston ring and the ring land.

**Piston ring groove clearance:**

No. 1	0.04 – 0.08 mm (0.0016 – 0.0031 in.)
No. 2	0.03 – 0.07 mm (0.0012 – 0.0028 in.)

If the clearance is not within specification, replace the piston.





#### 4. INSPECT PISTON RING END GAP

- Insert the piston ring into the cylinder bore.
- Using a piston, push the piston ring a little beyond the bottom of the ring travel to 87 mm (0.43 in.) from the top surface of the cylinder block.
- Using a thickness gauge, measure the end gap.

##### Standard piston ring end gap:

No. 1 0.25 – 0.47 mm  
(0.0098 – 0.0185 in.)

No. 2 0.20 – 0.42 mm  
(0.0079 – 0.0165 in.)

Oil Code mark T  
0.15 – 0.52 mm  
(0.0059 – 0.0205 in.)

Code mark R  
0.30 – 1.02 mm  
(0.0118 – 0.0402 in.)

##### Maximum piston ring end gap:

No. 1 1.07 mm (0.0421 in.)

No. 2 1.02 mm (0.0402 in.)

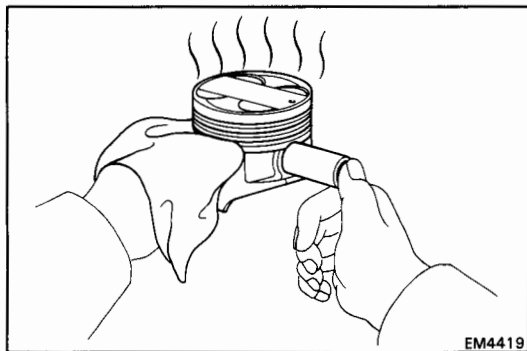
Oil Code mark T  
1.12 mm (0.0441 in.)

Code mark R  
1.62 mm (0.0638 in.)

If the gap is greater than maximum, replace the piston ring.

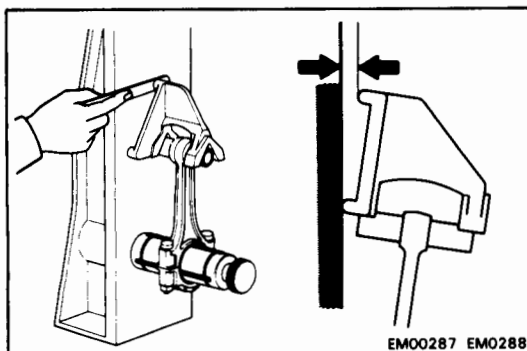
If the gap is greater than maximum, even with a new piston ring, rebore the cylinder and use an O/S piston ring.

NOTE: The code mark is engraved on top of the No. 1 and No. 2 piston rings. (See page EM-96)



#### 5. INSPECT PISTON PIN FIT

As 80°C (176°F) you should be able to push the piston pin into the piston pin hole with your thumb.



#### 6. INSPECT CONNECTING RODS

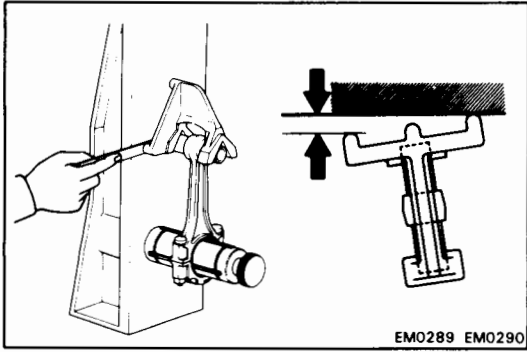
Using a rod aligner, check the connecting rod alignment.

- Check for bend.

##### Maximum bend:

0.03 mm (0.0012 in.) per 100 mm (3.94 in.)

If bend is greater than maximum, replace the connecting rod assembly.



EM0289 EM0290

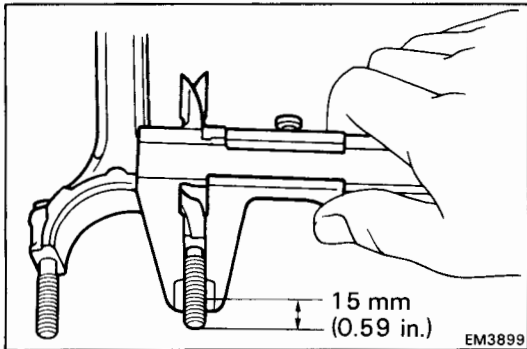
- (b) Check for twist.

**Maximum twist:**

**0.05 mm (0.0020 in.) per 100 mm (3.94 in.)**

If twist is greater than maximum, replace the connecting rod assembly.

NOTE: If replacing the connecting rod, replace the same number of connecting rod bearings as that of new connecting rod caps. (See page EM-80)



EM3899

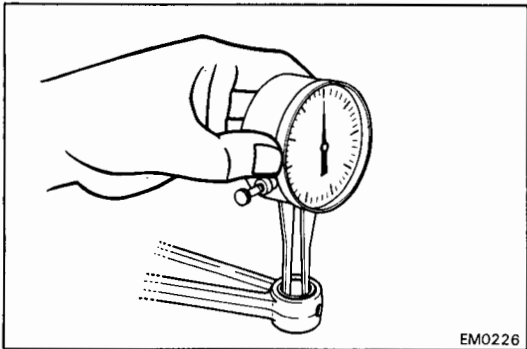
**7. (12-sided nut type)  
INSPECT CONNECTING ROD BOLTS**

- (a) Fix a connecting rod cap nut each of the connecting rod bolts threads and check that the nut can be turned by hand to the end of the threads.
- (b) If a nut cannot be moved all the way down the threads, measure the compressed thread outer diameter with a measuring gauge.
- (c) If the location of this area cannot be judged by visual inspection, use the dimension locations in the illustration and measure the outer diameter.

**Standard diameter: 8.860 – 9.000 mm  
(0.3488 – 0.3543 in.)**

**Minimum diameter: 8.60 mm (0.3386 in.)**

If the outer diameter is less than minimum, replace the connecting rod bolt and connecting rod cap nut.

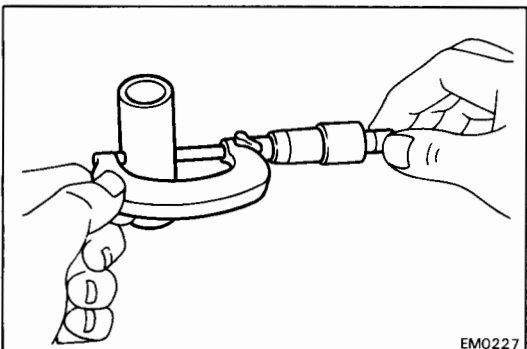


EM0226

**8. INSPECT PISTON PIN OIL CLEARANCE**

- (a) Using a caliper gauge, measure the inside diameter of the connecting rod bushing.

**Bushing inside diameter: 20.010 – 20.022 mm  
(0.7878 – 0.7883 in.)**



EM0227

- (b) Using micrometer, measure the piston pin diameter.

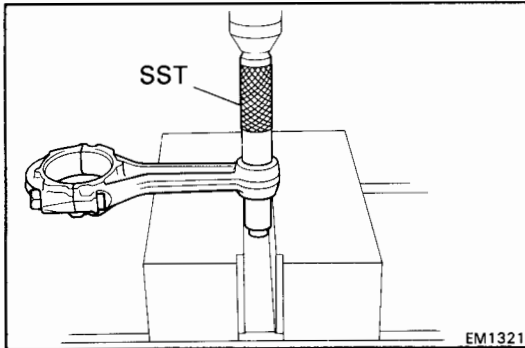
**Piston pin diameter: 20.004 – 20.016 mm  
(0.7876 – 0.7880 in.)**

- (c) Subtract the piston pin diameter measurement from the bushing inside diameter measurement.

**Standard oil clearance:** 0.004 – 0.008 mm  
(0.0002 – 0.0003 in.)

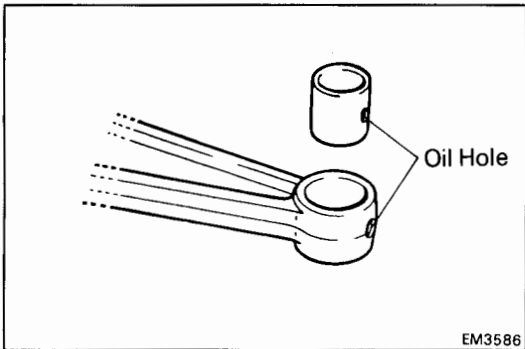
**Maximum oil clearance:** 0.05 mm (0.0020 in.)

- If clearance is greater than maximum, replace the bushing.  
If necessary, replace the piston and piston pin assembly.



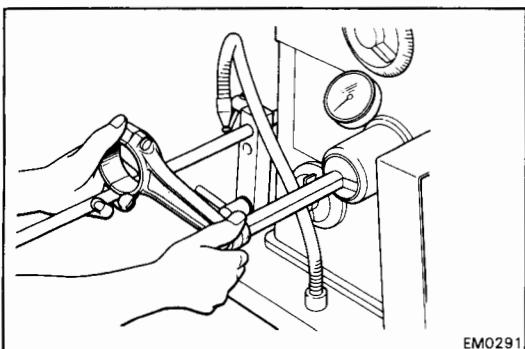
## 9. IF NECESSARY, REPLACE CONNECTING ROD BUSHINGS

- (a) Using SST and a press, push out the bushing.  
SST 09222-30010

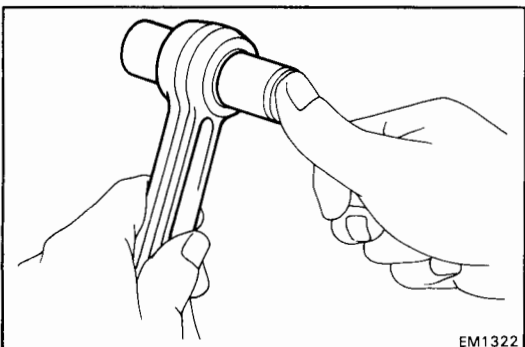


- (b) Align the oil holes of a new bushing and connecting rod.

- (c) Using SST and a press, press in the bushing.  
SST 09222-30010



- (d) Using a pin hole grinder, hone the bushing to obtain the standard specified clearance (See step 7) between the bushing and piston pin.



- (e) Check the piston pin fit at normal room temperature.  
Coat the piston pin with engine oil and push it into the connecting rod with your thumb.

## BORING OF CYLINDERS

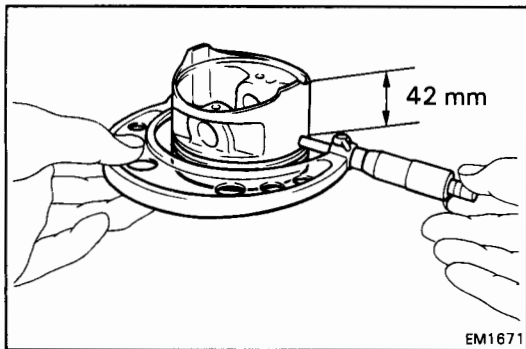
### NOTE:

- Bore all four cylinders for the oversized piston outside diameter.
- Replace the piston rings with ones to match the oversized pistons.

### 1. KEEP OVERSIZED PISTON

#### Oversized piston diameter:

4A-GE	O/S 0.50	81.390 – 81.420 mm (3.2043 – 3.2055 in.)
4A-GZE	O/S 0.50	81.370 – 81.400 mm (3.2035 – 3.2047 in.)



### 2. CALCULATE AMOUNT TO BORE CYLINDER

- (a) Using a micrometer and with the piston upside down, measure the piston diameter at right angles to the piston pin center line, 42 mm (1.65 in.) from the skirt bottom edge.

- (b) Calculate the amount each cylinder is to be rebored as follows:

$$\text{Size to be rebore} = P + C - H$$

P = Piston diameter

C = Piston clearance

4A-GE 0.10 – 0.12 mm  
(0.0039 – 0.0031 in.)

4A-GZE 0.12 – 0.14 mm  
(0.0047 – 0.0055 in.)

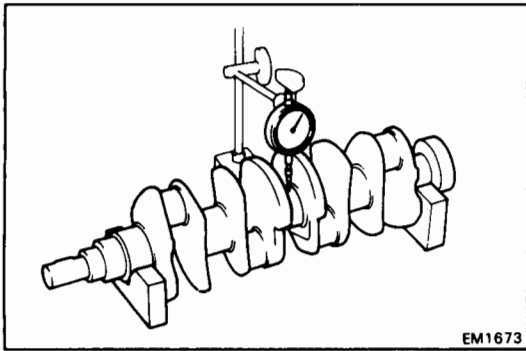
H = allowance for honing

Less than 0.02 mm (0.0008 in.)

### 3. BORE AND HONE CYLINDERS TO CALCULATED DIMENSIONS

Amount of honing: 0.02 mm (0.0008 in.) maximum

**CAUTION:** Excess honing will destroy the finished roundness.



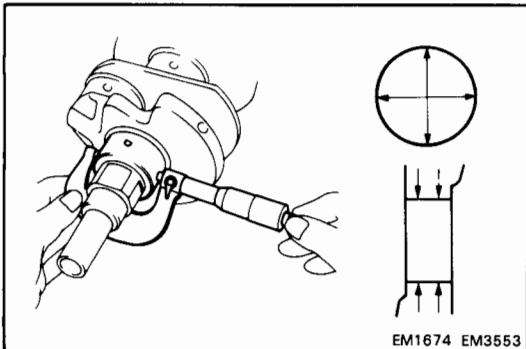
## INSPECTION OF CRANKSHAFT

### 1. MEASURE CRANKSHAFT FOR RUNOUT

- (a) Place the crankshaft on V-blocks.
- (b) Using a dial indicator, measure the circle runout at the center journal.

**Maximum circle runout: 0.06 mm (0.0024 in.)**

If the circle runout is greater than the maximum, replace the crankshaft.



### 2. INSPECT MAIN JOURNALS AND CRANK PINS

- (a) Using a micrometer, measure the diameter of the journal and crank pin.

**Journal diameter: 47.982 – 48.000 mm  
(1.8891 – 1.8898 in.)**

**Crank pin diameter: 41.985 – 42.000 mm  
(1.6529 – 1.6535 in.)**

- (b) Measure the journal for out-of-round and taper as shown.

**Maximum taper and out-of-round: 0.02 mm  
(0.0008 in.)**

If taper or out-of-round is greater than maximum, regrind or replace the crankshaft.

### 3. GRIND CRANK PIN AND/OR MAIN JOURNAL IF NECESSARY

Grind the crank pins and/or main journals to the undersized finished diameter.

Install a new pin and/or main undersize bearings.

**Bearing size (U/S 0.25)**

**Main journal finished diameter:**

**U/S 0.25**

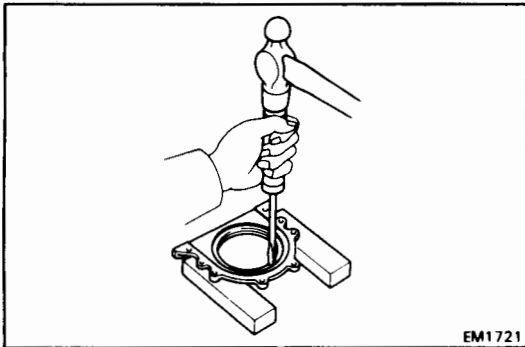
**47.745 – 47.755 mm (1.8797 – 1.8801 in.)**

**Crank pin finished diameter:**

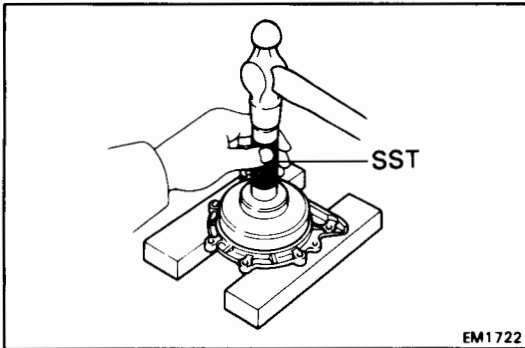
**U/S 0.25**

**41.745 – 41.755 mm (1.6435 – 1.6439 in.)**

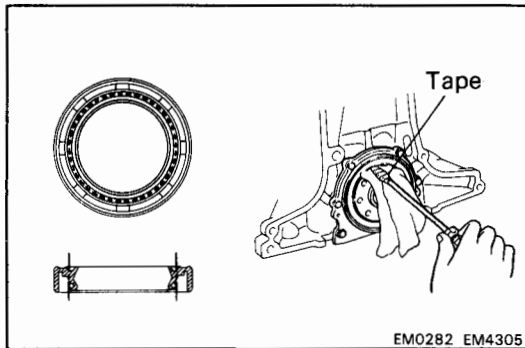
**Taper and out-of-round limit: 0.02 mm (0.0008 in.)**



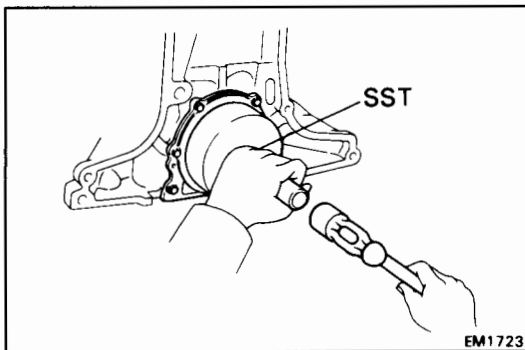
EM1721



EM1722



EM0282 EM4305



EM1723

## REPLACEMENT OF REAR OIL SEAL

NOTE: There are two methods to replace the oil seal depending on whether the rear oil seal retainer is assembled to the engine or not.

### 1. REPLACE CRANKSHAFT REAR OIL SEAL

(a) Using a screwdriver and hammer, tap out the oil seal.

(b) Using SST and a hammer, tap in a new oil seal until its surface is flush with the rear oil seal retainer edge.

SST 09223-41020

NOTE: Be careful not to install the oil seal slantwise.

(c) Apply MP grease to the seal lip.

### 2. IF REAR OIL SEAL RETAINER IS INSTALLED ON CYLINDER BLOCK

(a) Using a knife, cut off the lip of the oil seal as shown.

(b) Using a screwdriver of taping tip, pry out the oil seal.

**CAUTION:** Be careful not to damage the crankshaft.

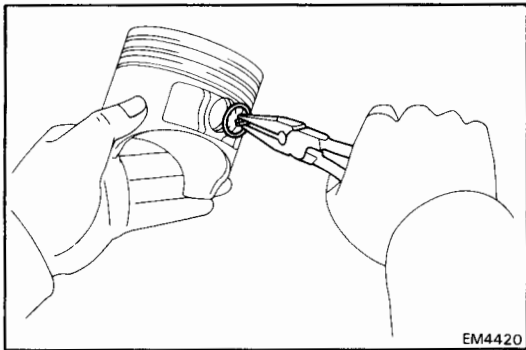
(c) Check the oil seal lip contact surface of the crankshaft for cracks or damage.

(d) Apply MP grease to a new oil seal lip.

(e) Using SST and a hammer, tap in the oil seal until its surface is flush with the rear oil seal retainer edge.

SST 09223-41020

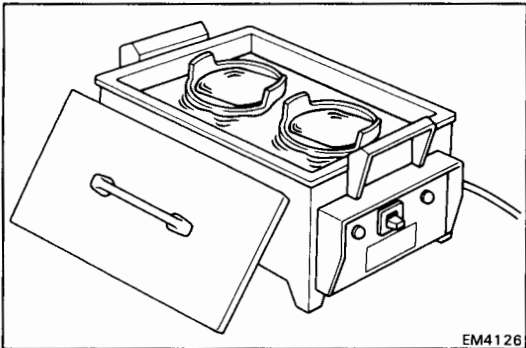




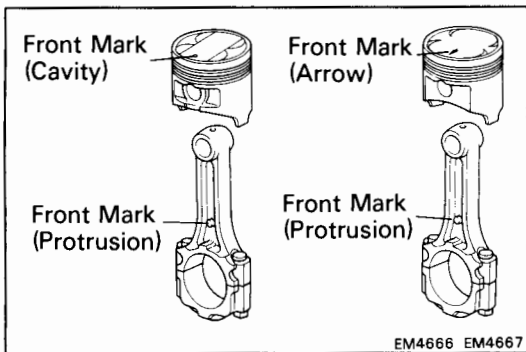
## ASSEMBLY OF PISTON AND CONNECTING ROD

### 1. ASSEMBLE PISTON AND CONNECTING ROD

(a) Install a new snap ring one side of the piston pin hole.

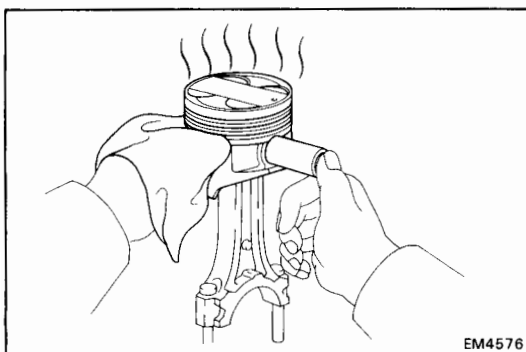


(b) Gradually heat the piston to 70 – 80°C (158 – 176°F).



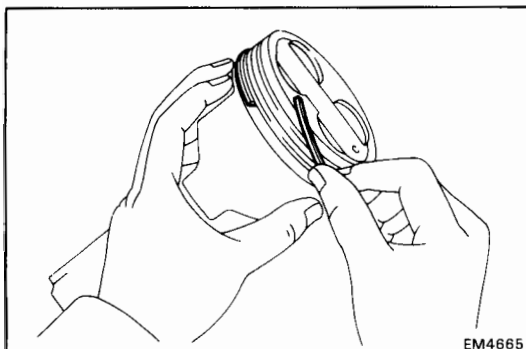
(c) Coat the piston pin with engine oil.

(d) Align the front marks of the piston and connecting rod.



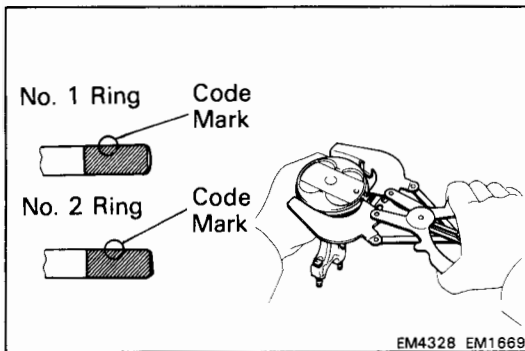
(e) Push in the piston pin with your thumb.

(f) Install a new snap ring on the other side of the piston pin hole.

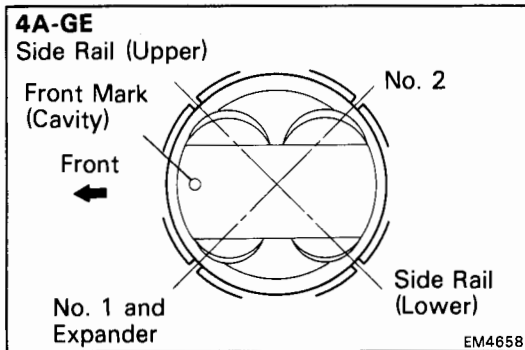


### 2. INSTALL PISTON RINGS

(a) Install the oil ring expander and two side rails by hand.

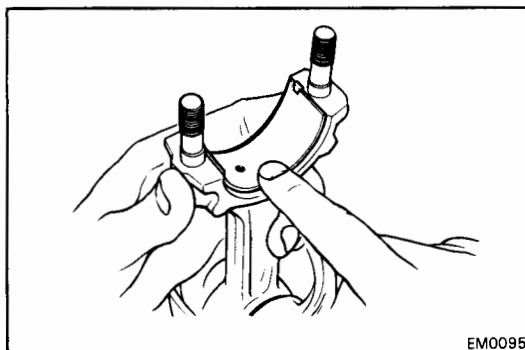
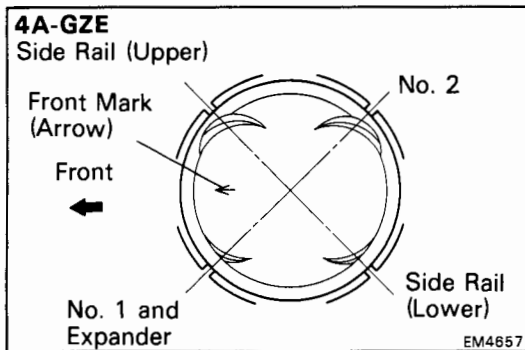


- (b) Using a piston ring expander, install the two compression rings with the code mark facing upward.



- (c) Position the piston rings so that the ring ends are as shown.

**CAUTION:** Do not align the end gaps.



### 3. INSTALL BEARINGS

- Align the bearing claw with the claw groove of the connecting rod or connecting rod cap.
- Install the bearings in the connecting rod and rod cap.
- Lubricate the face of the bearings with clean engine oil.

**NOTE:** If replacing the bearings, replace with one having the same number as marked on the bearing cap.

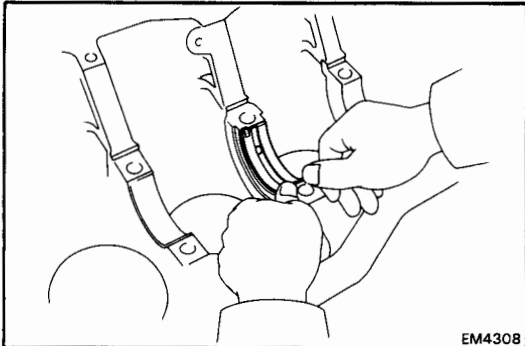
**CAUTION:** Install the bearing with the oil hole in the connecting rod.

**ASSEMBLY OF CYLINDER BLOCK**

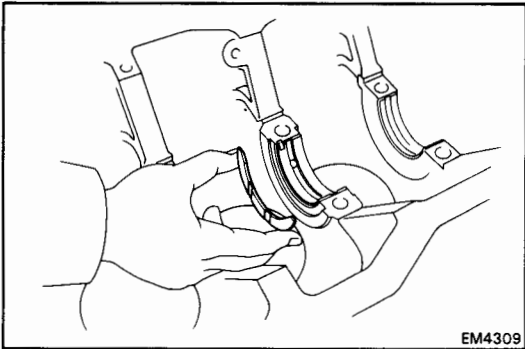
(See page EM-66)

**NOTE:**

- Thoroughly clean all parts to be assembled.
- Before installing the parts, apply new engine oil to all sliding and rotating surfaces.
- Replace all gaskets, O-rings and oil seals with new parts.

**1. INSTALL MAIN BEARINGS**

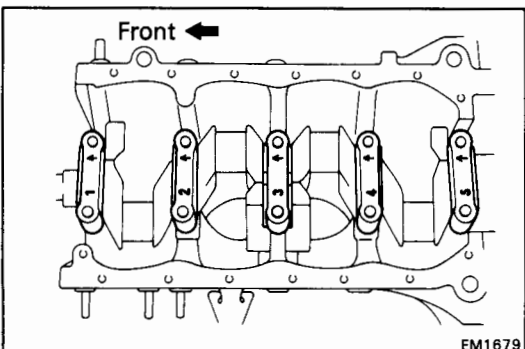
- (a) Align the bearing claw with the claw groove of the main bearing cap or cylinder block.
- (b) Install the bearing in the cylinder block and bearing caps.
- (c) Lubricate the faces of the bearings with clean engine oil.

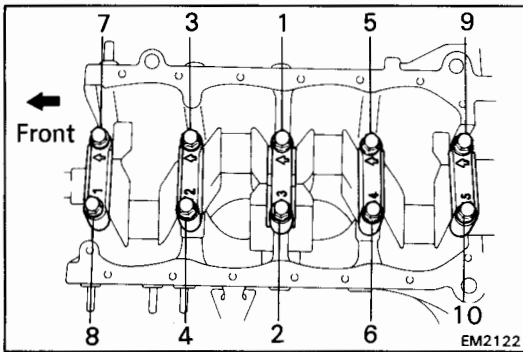
**CAUTION:** Install the bearing with the oil hole in the block.**2. INSTALL UPPER THRUST WASHERS**

Install the thrust washers on the center main bearing with the oil grooves facing outward.

**3. PLACE CRANKSHAFT ON CYLINDER BLOCK****4. INSTALL MAIN BEARING CAPS AND LOWER THRUST WASHERS****NOTE:** Each bearing cap has a number and front mark.

- (a) Install the thrust washers on the center bearing cap with the oil grooves facing outward.
- (b) Install the bearing caps in numerical order with the arrows facing forward.



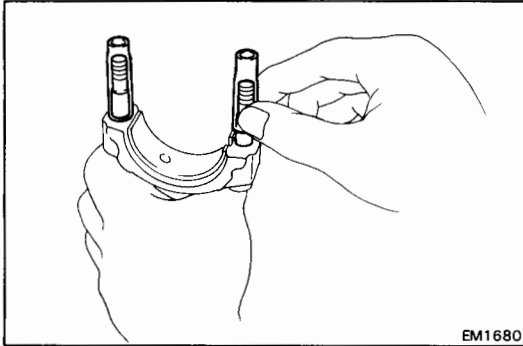


- (c) Apply a light coat of engine oil on the threads and under the heads of the cap bolts.
- (d) Install and uniformly tighten the ten cap bolts in several passes, in the sequence shown.

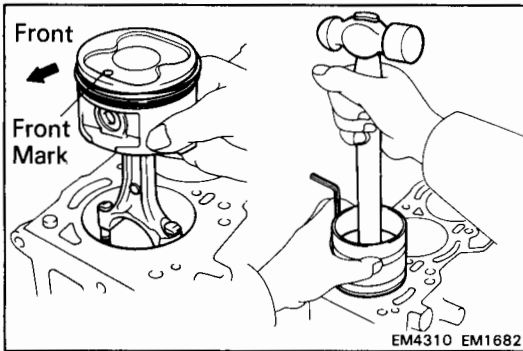
**Torque: 610 kg-cm (44 ft-lb, 60 N·m)**

- (e) Check that the crankshaft turns smoothly.
- (f) Check the crankshaft thrust clearance.  
(See page EM-82)

## 5. INSTALL PISTON AND CONNECTING ROD ASSEMBLES



- (a) Lubricate the cylinder bores and crank pins with clean engine oil.
- (b) Cover the connecting rod bolts with a short piece of hose to protect the crankshaft from damage.

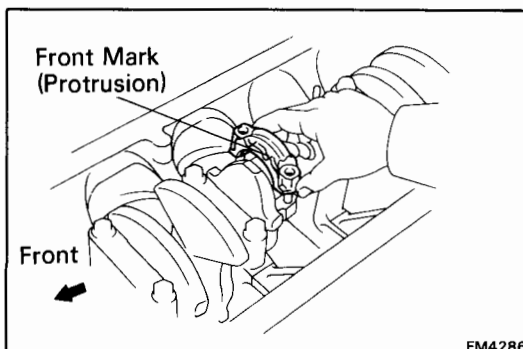


- (c) Using a piston ring compressor, push the correctly numbered piston and connecting rod assembly into each cylinder with the front mark (cavity for 4A-GE and arrow for 4A-GZE) of the piston facing forward.

## 6. INSTALL CONNECTING ROD CAPS (12-sided nut type)

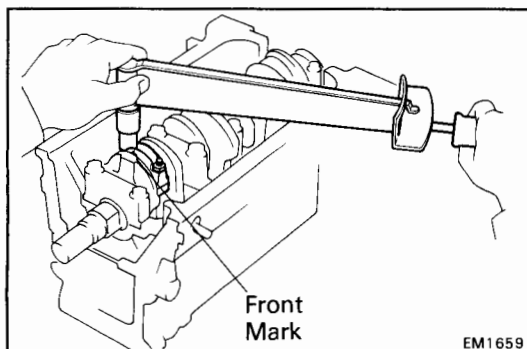
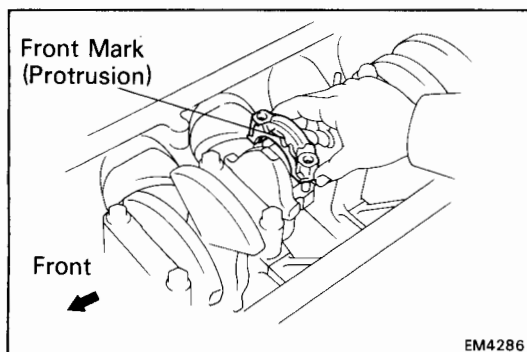
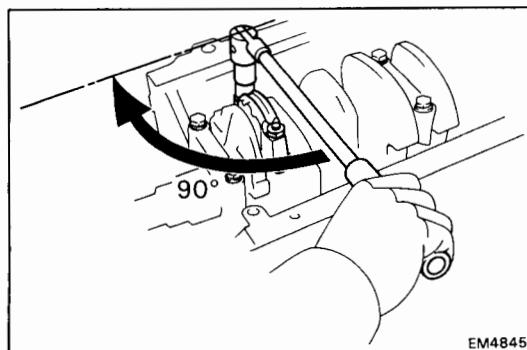
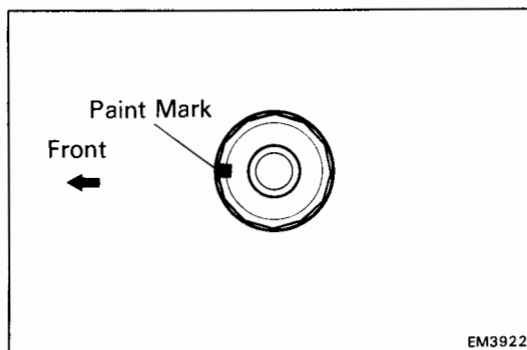
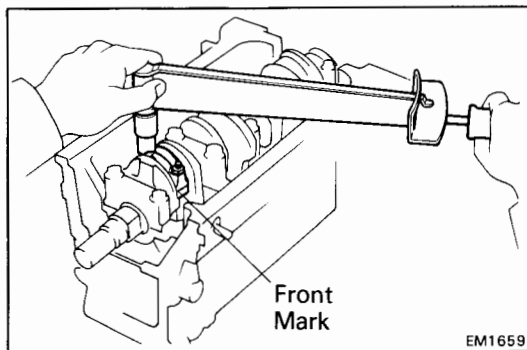
NOTE:

- The connecting rod cap nuts are tightened in two progressive steps.
- If any of the cap bolts break or deform, replace them.



- (a) Match the numbered cap with the numbered connecting rod.
- (b) Install the cap with the front mark facing forward.

NOTE: Align the marks punched on the rod and cap.



- (c) Apply a light coat of the engine oil on the threads and under the nuts of the connecting rod cap.
- (d) First, install and alternately tighten the cap nuts in several passes.

**Torque: 400 kg-cm (29 ft-lb, 39 N·m)**

If any one of the nuts does not meet the torque specification, replace the connecting rod bolt.

- (e) Mark the front side of the top of cap nut with paint.

- (f) Second, alternately retighten the cap nuts by an additional 90°.

- (g) Check that the paint mark is turned by 90°. Check that the crankshaft turns smoothly. Check the connecting rod thrust clearance. (See page EM-80)

#### (Hexagon nut type)

- (a) Match the numbered cap with the numbered connecting rod.

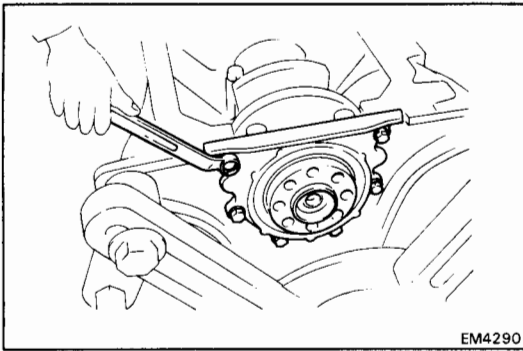
- (b) Install the cap with the front mark facing forward.

**NOTE:** Align the marks punched on the rod and cap.

- (c) Apply a light coat of the engine oil on the threads and under the nuts of the connecting rod cap.
- (d) Install and alternately tighten the cap nuts in several passes.

**Torque: 500 kg-cm (36 ft-lb, 49 N·m)**

- (e) Check that the crankshaft turns smoothly.
- (f) Check the connecting rod thrust clearance. (See page EM-80)



### 7. INSTALL REAR OIL SEAL RETAINER

Install a new gasket and the rear oil seal retainer with the six bolts.

**Torque: 95 kg-cm (82 in.-lb, 9.3 N·m)**

## POST ASSEMBLY

### 1. INSTALL OIL PUMP, BAFFLE PLATE, STRAINER AND OIL PUMP

(See steps 1 to 3 on pages LU-10, 11)

### 2. INSTALL OIL FILTER BRACKETS

(See steps 3 to 6 on pages LU-16, 17)

### 3. INSTALL WATER PUMP (See page CO-8)

### 4. INSTALL CYLINDER HEAD

4A-GE (See page EM-46)

4A-GZE (See page EM-61)

### 5. INSTALL TIMING BELT (See page EM-21)

### 6. INSTALL DISTRIBUTOR (See page IG-10)

### 7. (4A-GE)

INSTALL ALTERNATOR BRACKET

### 8. (4A-GZE)

INSTALL ALTERNATOR AND BRACKET

### 9. (w/ A/C)

INSTALL A/C COMPRESSOR BRACKET

### 10. REMOVE ENGINE FROM ENGINE STAND

### 11. INSTALL REAR END PLATE

### 12. (M/T)

INSTALL FLYWHEEL

(a) Install the flywheel on the crankshaft.

(b) Install and uniformly tighten the mount bolts in several passes, in the sequence shown.

**Torque: 750 kg-cm (54 ft-lb, 74 N·m)**

### 13. (A/T)

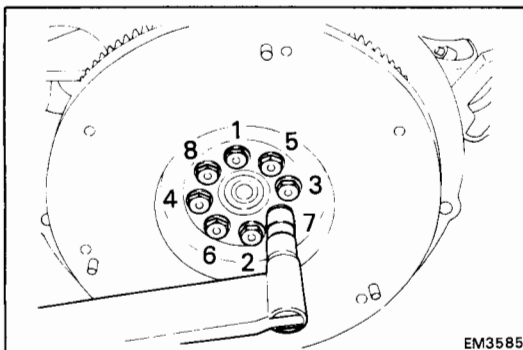
INSTALL DRIVE PLATE

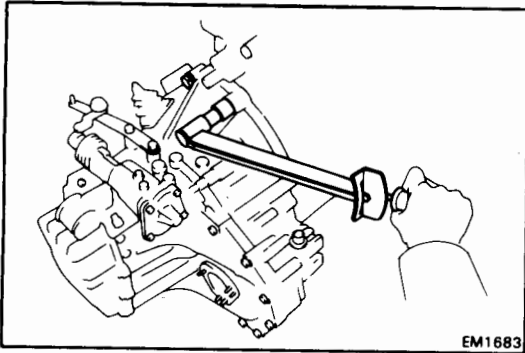
(See procedure step 12)

**Torque: 850 kg-cm (61 ft-lb, 83 N·m)**

### 14. (M/T)

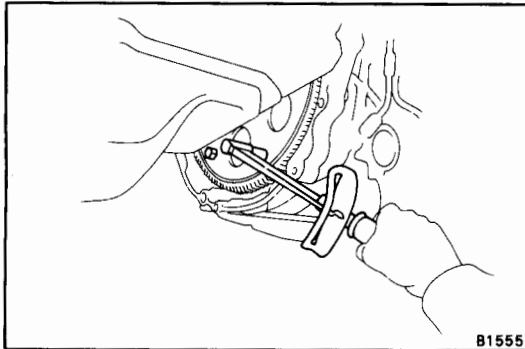
INSTALL CLUTCH DISC AND COVER (See page CL-14)





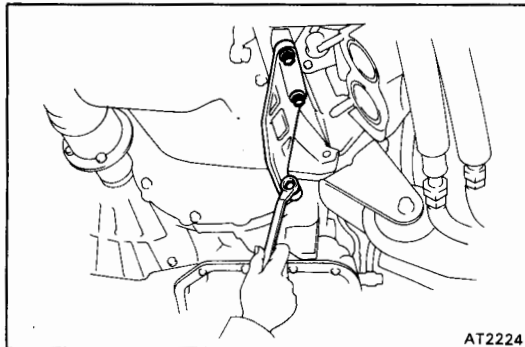
## INSTALLATION OF ENGINE (4A-GE)

1. **INSTALL TRANSAXLE TO ENGINE**  
(See page MT-96) (M/T vehicle)  
(See page AT-144) (A/T vehicle)
2. **INSTALL STARTER** (See page ST-12)



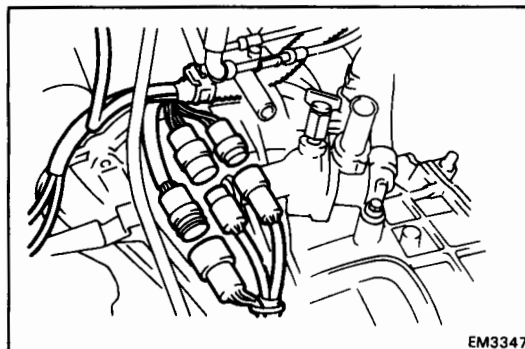
3. (A/T vehicle)  
**INSTALL SIX TORQUE CONVERTER MOUNTING BOLT**
  - (a) First, install the gray bolt and then five black bolts.
  - (b) Tighten the bolts evenly.

**Torque: 280 kg-cm (20 ft-lb, 27 N·m)**

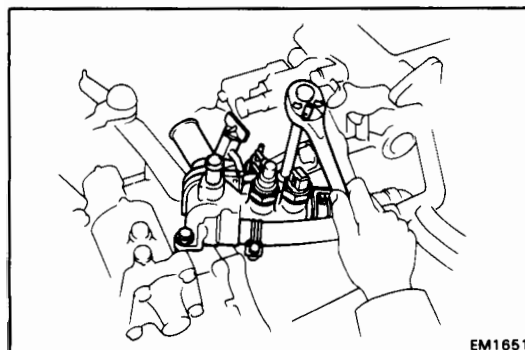


4. **INSTALL FLYWHEEL HOUSING UNDER COVER**
  - (a) Install the under cover with the three bolts (M/T) or two bolts (A/T).
  - (b) (A/T vehicle)  
Install the stiffener plate with the three bolts. Tighten the bolts.

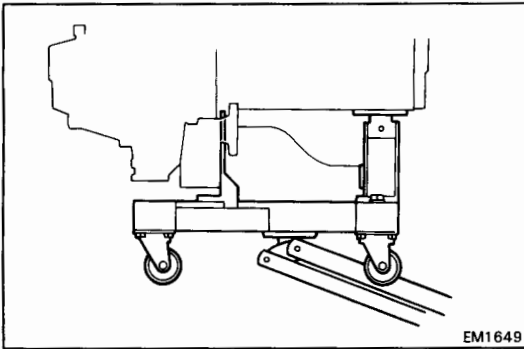
**Torque: 380 kg-cm (27 ft-lb, 37 N·m)**



5. (w/ A/C)  
**CONNECT FOLLOWING CONNECTORS:**
  - Transmission solenoid connector
  - Neutral start switch connector
  - Back-up and neutral start switch connector

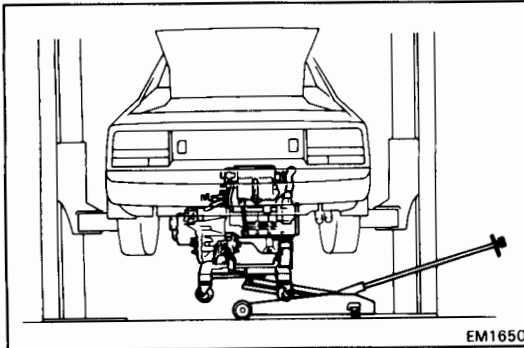


6. **INSTALL WATER INLET WITH HOUSING**
  - (a) Connect the two hoses to the No. 1 and No. 2 water by-pass pipes.
  - (b) Install the water inlet and housing with the nut.
  - (c) Connect the vacuum hoses to BVSVS.
  - (d) Connect the start injector time switch connector.



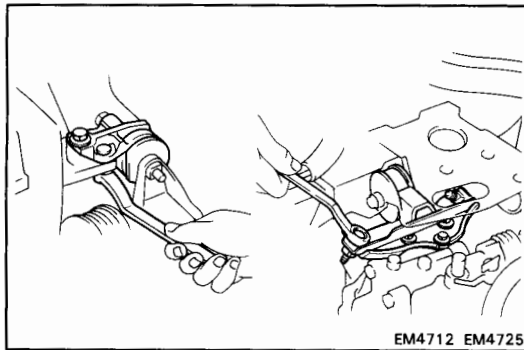
## 7. INSTALL ENGINE WITH TRANSAXLE

- (a) Set the engine with transaxle in the engine saddle as shown.



- (b) Slowly lower the vehicle.

**CAUTION:** Be careful not to damage the throttle position sensor.



- (c) Install the RH mounting insulator with the two bolts and nuts.

- (d) Install the LH mounting insulator with the two (M/T) or three (A/T) bolts.

## 8. RAISE VEHICLE

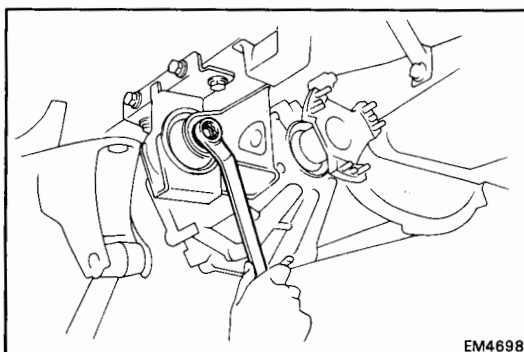
## 9. INSTALL REAR MOUNTING INSULATOR

- (a) Install the mounting to the body with the four bolts.  
 (b) Connect the mounting to the bracket with through bolt.

**Torque:**

10 mm bolt head 530 kg-cm (38 ft-lb, 52 N·m)

12 mm bolt head 800 kg-cm (58 ft-lb, 78 N·m)



## 10. INSTALL FRONT MOUNTING INSULATOR

- (a) Install the mounting insulator to the body with the two bolts.

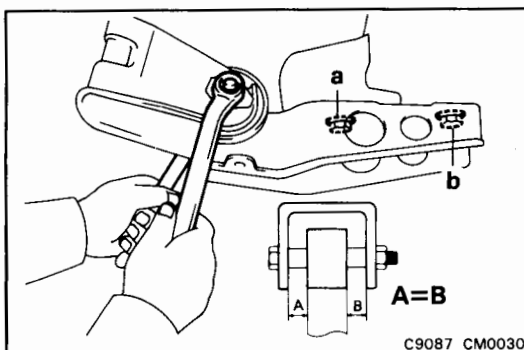
**Torque:** a 530 kg-cm (38 ft-lb, 52 N·m)

b 740 kg-cm (54 ft-lb, 73 N·m)

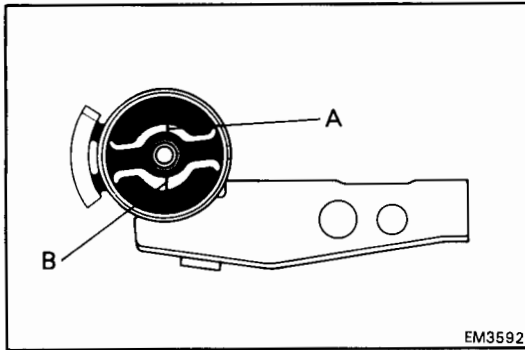
- (b) Connect the mounting bracket to the insulator, temporarily install the through bolt.

- (c) By bouncing the engine, confirm the mounting insulator is mounted on the middle of the insulator mount bracket.

**Torque:** 800 kg-cm (58 ft-lb, 78 N·m)

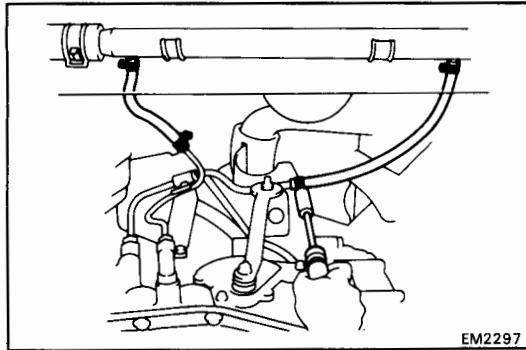




**[Reference]**

Make sure clearance A and B.

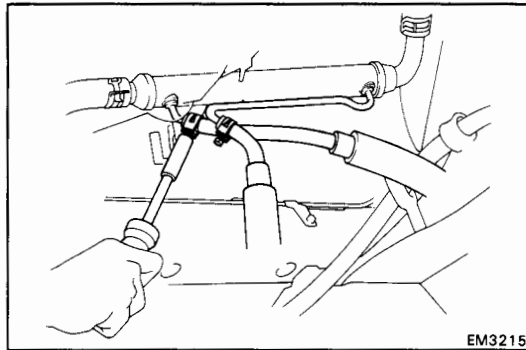
Clearance: **A = 3 mm (0.118 in.)**  
**B = 5 mm (0.179 in.)**



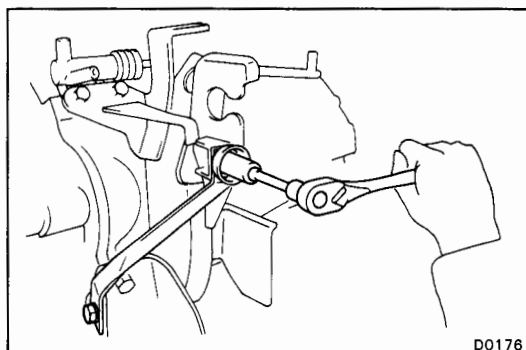
- 11. INSTALL REAR DRIVE SHAFTS**  
 (See page RA-27)

- 12. INSTALL FRONT EXHAUST PIPE**  
 (See page LU-12)

- 13. (A/T vehicle)**  
**CONNECT A/T OIL COOLER HOSES**

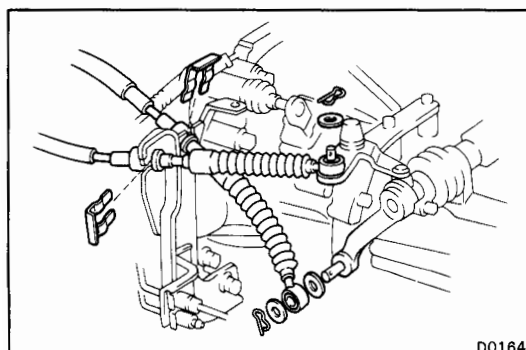


- 14. (w/ Oil cooler)**  
**CONNECT ENGINE OIL COOLER HOSES**



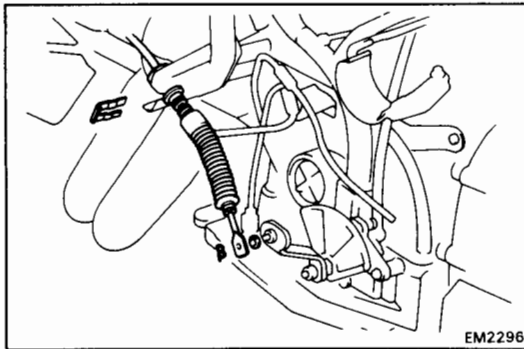
- 15. (M/T vehicle)**  
**INSTALL CLUTCH RELEASE CYLINDER AND CONTROL BRACKET**

- (a) Install the control bracket and clutch release cylinder with the three bolts.  
 (b) Install the No. 2 control cable bracket with the two bolts.

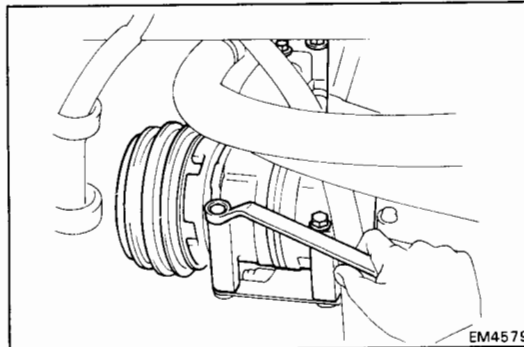


- 16. CONNECT CONTROL CABLES**  
**(M/T vehicle)**

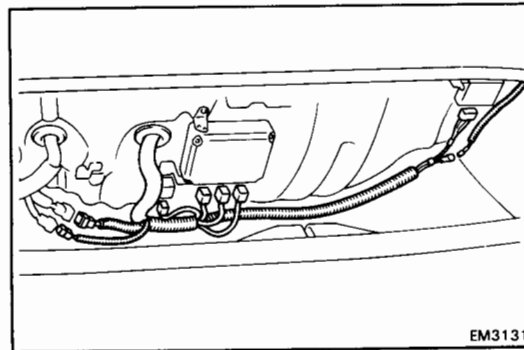
- (a) Connect the control cables to the shift outer lever and select lever.  
 (b) Install the retainers, washers and clips.

**(A/T vehicle)**

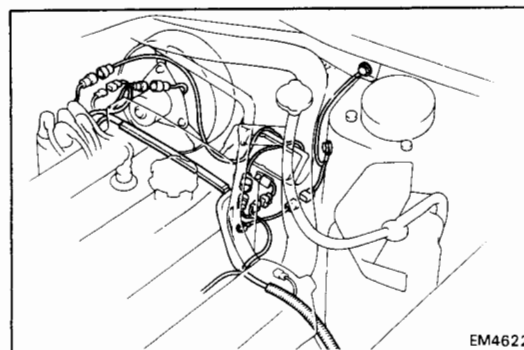
- (a) Connect the control cable to the shift lever.
- (b) Install the retainer and clip.


**17. (w/ A/C)  
CONNECT A/C COMPRESSOR**

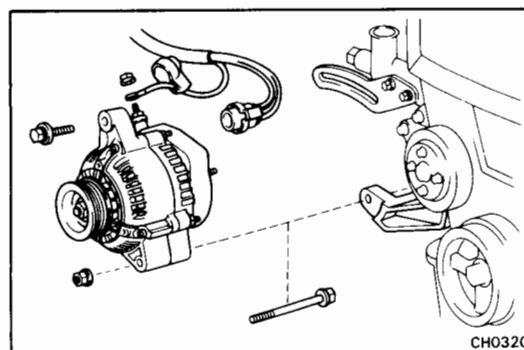
Install the A/C compressor with the four bolts.


**18. INSTALL ENGINE WIRE HARNESS IN REAR LUGGAGE COMPARTMENT**

- (a) Insert the engine wire harness in the rear luggage compartment.
- (b) Connect following connectors:
  - Engine wire and engine main wire connectors.
  - Cooling fan computer connector
  - ECU connector
  - Circuit opening relay connector
- (c) Install the rear luggage compartment trim with the five clips.

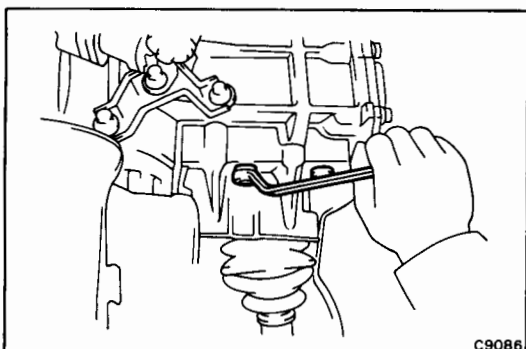

**19. CONNECT HIGH-TENSION CORD TO IGNITION COIL**
**20. CONNECT FOLLOWING WIRES:**

- (w/ A/C)  
Compressor connector
- Ground strap connector (between cylinder head and body)
- Engine compartment cooling fan motor connector
- Noise filter connector
- Two igniter connectors

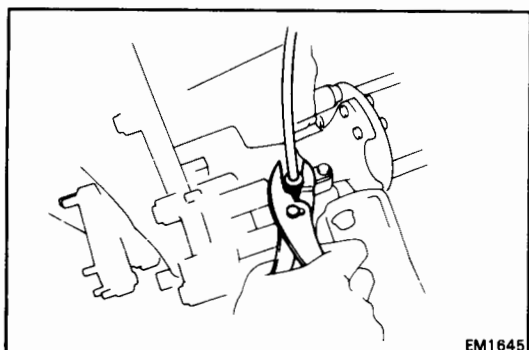

**21. CONNECT BRAKE BOOSTER HOSE**
**22. CONNECT NO. 1 RADIATOR HOSE TO WATER OUTLET HOUSING**
**23. INSTALL ALTERNATOR (See page CH-15)**
**24. INSTALL AIR CONDITIONER DRIVE BELT**

Drive belt tension:

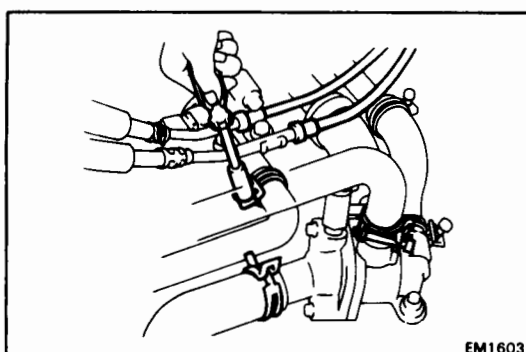
A/C	New belt	160 ± 20 lb
	Used belt	105 ± 10 lb



25. **INSTALL RADIATOR RESERVOIR TANK**
26. **INSTALL GROUND STRAP TO WATER INLET HOUSING**
27. **(M/T vehicle)  
INSTALL TRANSAXLE PROTECTOR**



28. **CONNECT SPEEDOMETER CABLE**
29. **CONNECT FOLLOWING CONNECTORS:**
  - Engine wire and engine main wire connector
  - Back-up light switch connector (M/T only)
30. **CONNECT VACUUM HOSE TO CHARCOAL CANISTER**
31. **CONNECT FUEL RETURN HOSE**
32. **CONNECT FUEL HOSE TO FILTER**  
Torque: 300 kg-cm (22 ft-lb, 29 N·m)
33. **CONNECT AIR BLEEDER HOSE TO WATER INLET HOUSING**



34. **CONNECT HEATER HOSES AND NO. 6 RADIATOR HOSE**
  - (a) Connect the No. 6 radiator hose to the water inlet housing.
  - (b) Connect the heater hoses to the cylinder head rear plate and water inlet housing.
35. **INSTALL AIR FLOW METER WITH NO. 1 AIR HOSE**
36. **INSTALL BATTERY**
37. **CONNECT CRUISE CONTROL VACUUM HOSE**
38. **CONNECT FOLLOWING CABLES:**
  - Accelerator cable
  - (w/ Cruise control)  
Cruise control cable
  - (A/T vehicle)  
A/T throttle cable  
(See page AT-6)

**39. REFILL WITH COOLANT (See page CO-4)****Capacity:****M/T****w/ Heater****12.2 liters (12.9 US qts, 10.7 Imp. qts)****Others****12.4 liters (13.1 US qts, 10.9 Imp. qts)****A/T****12.9 liters (13.6 US qts, 11.4 Imp. qts)****40. REFILL WITH ENGINE OIL (See page LU-4)****Oil capacity (w/o Oil cooler):****Drain and refill****w/o Oil filter change****3.0 liters (3.2 US qts, 2.7 Imp. qts)****w/ Oil filter change****3.3 liters (3.5 US qts, 2.9 Imp. qts)****Dry fill****3.7 liters (3.9 US qts, 3.3 Imp. qts)****Oil capacity (w/ Oil cooler):****Drain and refill****w/o Oil filter change****3.1 liters (3.3 US qts, 2.7 Imp. qts)****w/ Oil filter change****3.4 liters (3.6 US qts, 3.0 Imp. qts)****Dry fill****3.8 liters (4.0 US qts, 3.3 Imp. qts)****41. CONNECT CABLE TO NEGATIVE TERMINAL OF BATTERY****42. START ENGINE AND CHECK FOR LEAKS****43. PERFORM ENGINE ADJUSTMENT**

Adjust the ignition timing.

(See steps 5 to 8 on pages IG-11, 12)

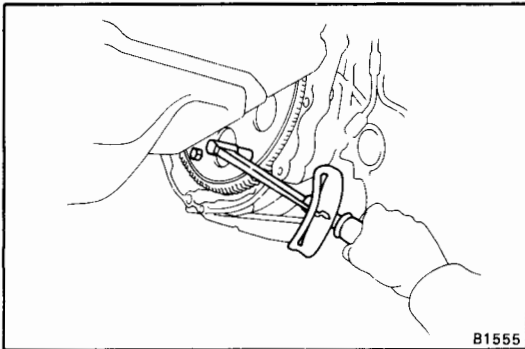
**44. INSTALL ENGINE UNDER COVER AND FUEL TANK PROTECTORS****45. PERFORM ROAD TEST**

Check for abnormal noise, shock, slippage, correct shift points and smooth operation.

**46. RECHECK ENGINE COOLANT AND ENGINE OIL LEVELS**

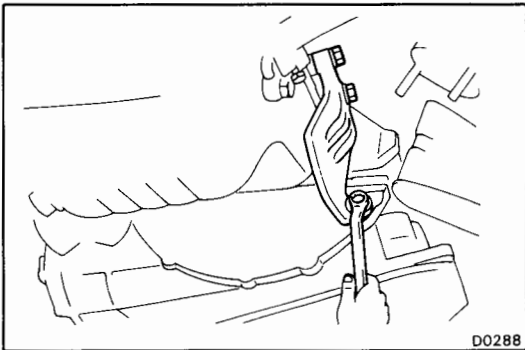
**INSTALLATION OF ENGINE (4A-GZE)**

1. **INSTALL TRANSAXLE TO ENGINE**  
M/T vehicle (See page MT-96)  
A/T vehicle (See page AT-144)
2. **INSTALL STARTER (See page ST-12)**



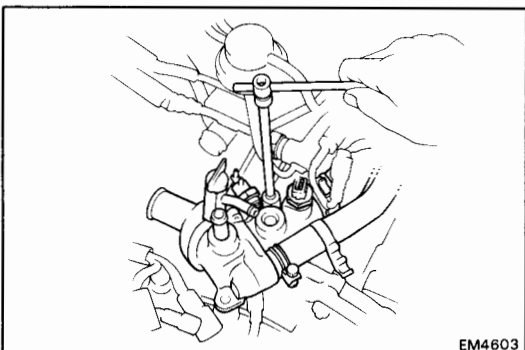
B1555

3. **(A/T vehicle)**  
**INSTALL SIX TORQUE CONVERTER MOUNTING BOLT**
  - (a) First, install the gray bolt and then five black bolts.
  - (b) Tighten the bolts evenly.**Torque: 280 kg-cm (20 ft-lb, 27 N·m)**



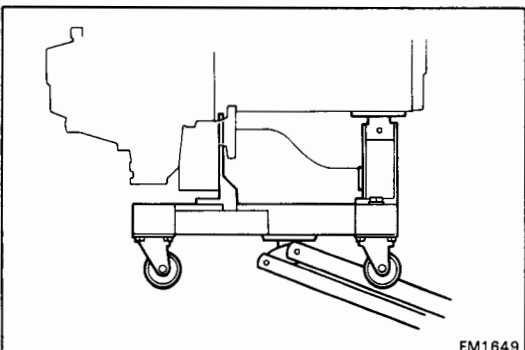
D0288

4. **INSTALL FLYWHEEL HOUSING UNDER COVER**
  - (a) Install the under cover with the three bolts (M/T) or two bolts (A/T).
  - (b) (A/T vehicle)  
Install the stiffener plate with the three bolts. Tighten the bolts.**Torque: 380 kg-cm (27 ft-lb, 37 N·m)**



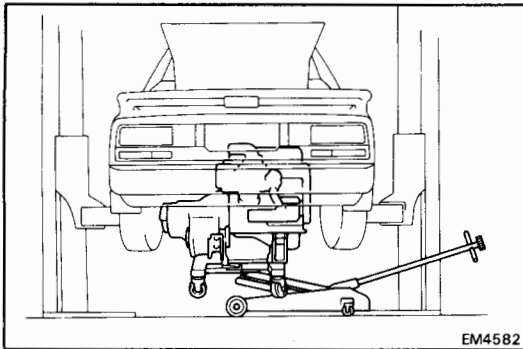
EM4603

5. **INSTALL WATER INLET WITH HOUSING**
  - (a) Connect the two hoses to the No. 1 and No. 2 water by-pass pipes.
  - (b) Install the water inlet and housing with the nut.
  - (c) Connect the vacuum hoses to BVSV.

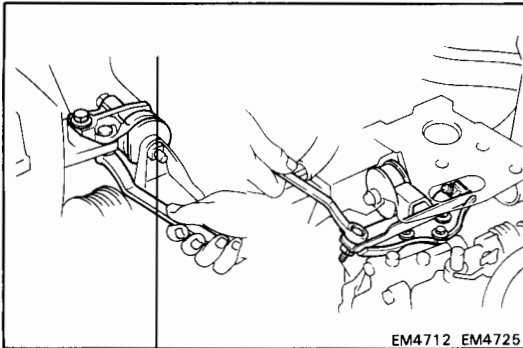


EM1649

6. **INSTALL ENGINE WITH TRANSAXLE**
  - (a) Set the engine with transaxle in the engine saddle as shown.



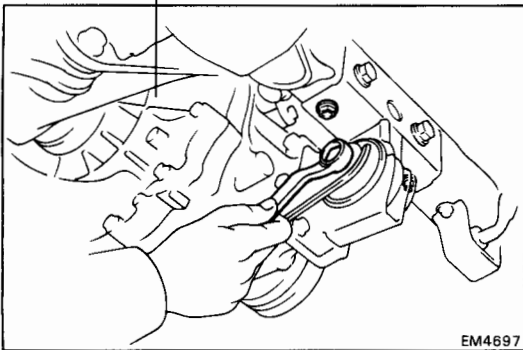
(b) Slowly lower the vehicle.



(c) Install the RH mounting insulator with the two bolts and nuts.

(d) Install the LH mounting insulator with the two (M/T) or three (A/T) bolts.

## 7. RAISE VEHICLE



## 8. INSTALL REAR MOUNTING INSULATOR

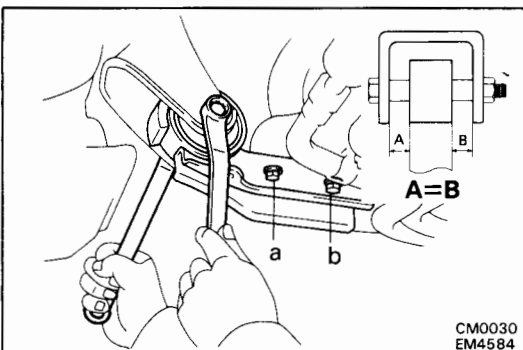
(a) Install the mounting insulator to the body with the four bolts.

(b) Connect the mounting insulator to the bracket with the through bolt.

**Torque:**

**10 mm bolt head 530 kg-cm (38 ft-lb, 52 N·m)**

**12 mm bolt head 800 kg-cm (58 ft-lb, 78 N·m)**



## 9. INSTALL FRONT MOUNTING INSULATOR

(a) Install the mounting insulator to the body with the two bolts.

**Torque: a 530 kg-cm (38 ft-lb, 52 N·m)**

**b 740 kg-cm (54 ft-lb, 73 N·m)**

(b) Connect the mounting bracket to the insulator, temporarily install the through bolt.

(c) By bouncing the engine, confirm the mounting insulator is mounted on the middle of the insulator mount bracket.

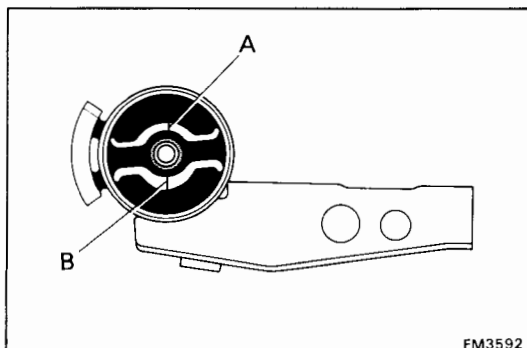
**Torque: 800 kg-cm (58 ft-lb, 78 N·m)**

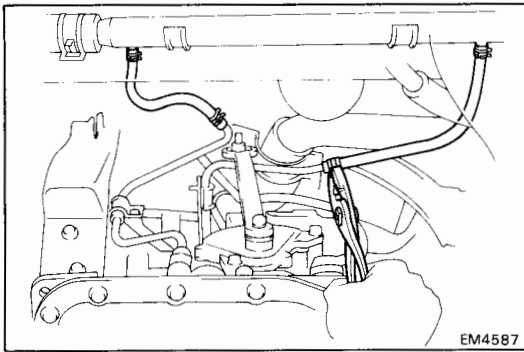
(Reference)

Make sure clearance A and B.

**Clearance: A = 3 mm (0.118 in.)**

**B = 5 mm (0.197 in.)**

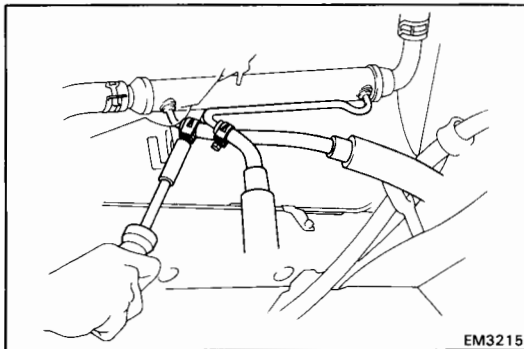
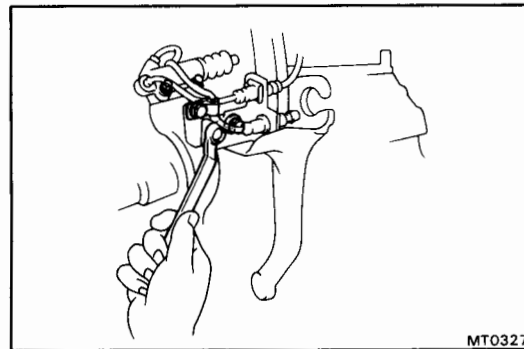


**10. INSTALL REAR DRIVE SHAFTS**

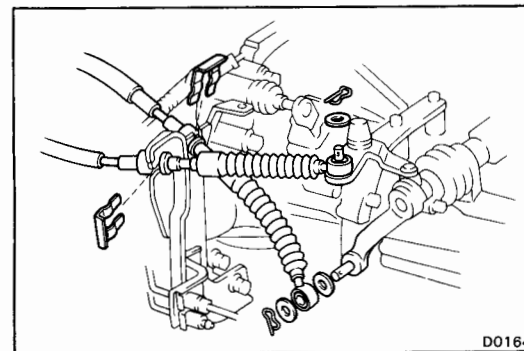
(See page RA-27)

**11. INSTALL FRONT EXHAUST PIPE**

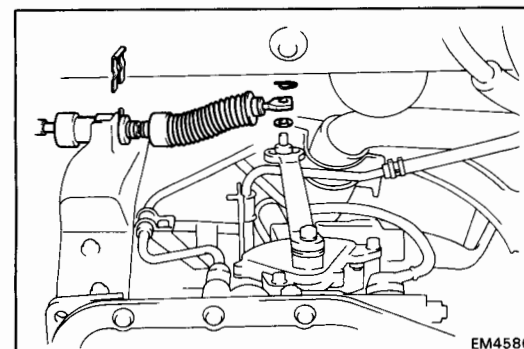
(See page LU-12)

**12. (A/T vehicle)  
CONNECT A/C OIL COOLER HOSES****13. CONNECT ENGINE OIL COOLER HOSES****14. (M/T vehicle)  
INSTALL CLUTCH RELEASE CYLINDER AND  
CONTROL BRACKET**

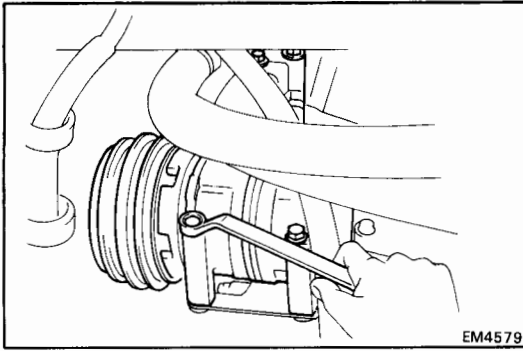
- (a) Install the control bracket and clutch release cylinder with the six bolts.
- (b) Connect the heater hose clamp with the bolt.

**15. CONNECT CONTROL CABLE  
(M/T vehicle)**

- (a) Connect the control cables to the shift outer lever and select level.
- (b) Install the retainers, washers and clips.

**(A/T vehicle)**

- (a) Connect the control cable to the shift lever.
- (b) Install the retainer and clip.

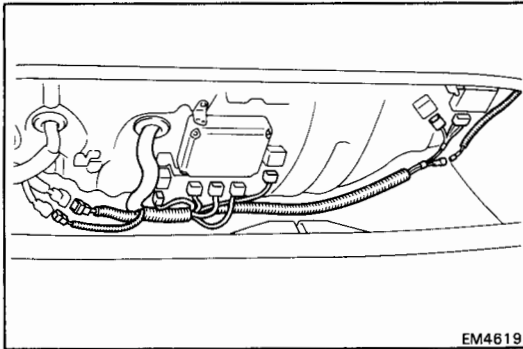
**16. (w/ A/C)****CONNECT A/C COMPRESSOR**

Install the A/C compressor with the four bolts

**17. INSTALL A/C DRIVE BELT****Drive belt tension:**

**New belt** 165 ± 10 lb

**Used belt** 85 ± 15 lb

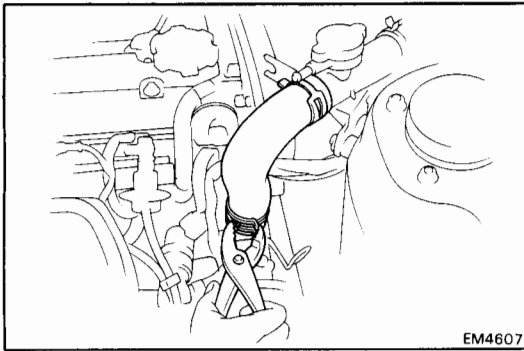
**18. INSTALL ENGINE WIRE HARNESS IN REAR LUGGAGE COMPARTMENT**

- (a) Insert the engine wire harness in the rear luggage compartment.
- (b) Disconnect the following connectors:
  - Circuit opening relay connector
  - ECU connectors
  - Cooling fan computer connector
  - Supercharger relay connector
  - IC regulator connector
  - Engine wire and engine main wire connectors
- (c) Install the rear luggage compartment trim with the five clips.

**19. CONNECT FOLLOWING CONNECTORS AND WIRES:**

- (a) (A/T vehicle)  
Two neutral start switch connectors
- (b) (A/T vehicle)  
Solenoid connector
- (c) (A/T vehicle)  
Speed sensor connector
- (d) Cold start injector time switch connector
- (e) (M/T vehicle)  
Back-up light switch connector
- (f) Ground strap from water inlet housing
- (g) Two engine wire connectors
- (h) Check connector
- (i) High-tension cord from ignition coil
- (j) Igniter connector
- (k) Noise filter connector
- (l) Engine compartment cooling fan connector
- (m) Ground strap connector (between cylinder head and body)
- (n) (w/ A/C)  
Two A/C compressor connectors
- (o) Solenoid resistor connector

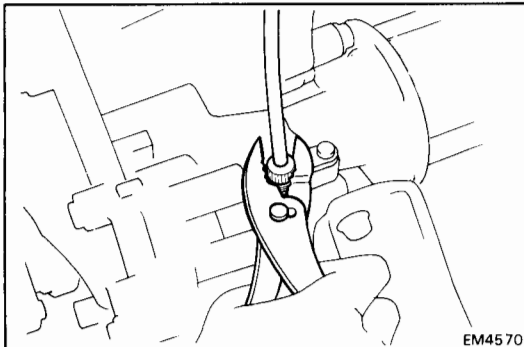




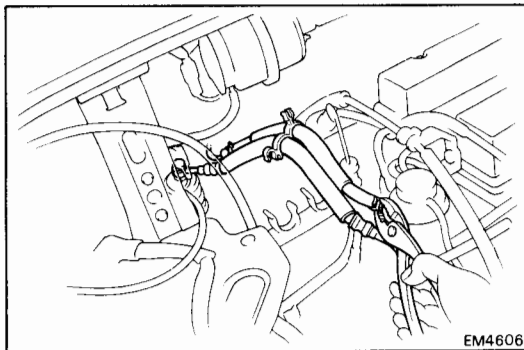
**20. CONNECT NO. 1 RADIATOR HOSE TO WATER OUTLET HOUSING**

**21. INSTALL RADIATOR RESERVOIR TANK**

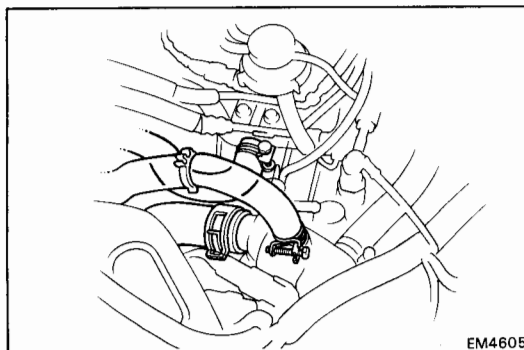
**22. CONNECT BRAKE BOOSTER VACUUM HOSE**



**23. CONNECT SPEEDOMETER CABLE**



**24. CONNECT FUEL INLET AND RETURN HOSES**

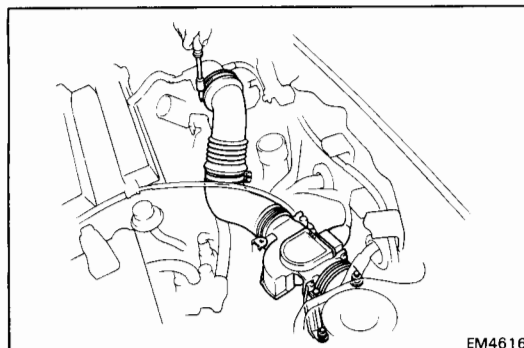


**25. CONNECT HEATER HOSES AND NO. 6 RADIATOR HOSE**

- (a) Connect the No. 6 radiator hose to the water inlet housing.
- (b) Connect the heater hoses to the cylinder head rear cover.

**26. (w/ Cruise control)  
CONNECT CRUISE CONTROL CABLE**

**27. CONNECT ACCELERATOR CABLE**



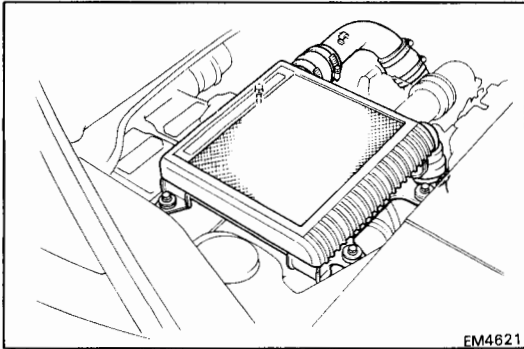
**28. INSTALL AIR FLOW METER WITH NO. 3 AIR CLEANER HOSE**

- (a) Install the air flow meter with No. 3 air cleaner hose with the three bolts and two clamps.
- (b) Install the EGR VSV with the bolt.
- (c) Connect the air flow meter and EGR VSV connectors.

**29. (A/T vehicle)  
CONNECT A/T THROTTLE CABLE**

**30. CONNECT FOLLOWING HOSES:**

- (a) (w/ A/C)  
A/C idle up vacuum hoses
- (b) Charcoal canister vacuum hose
- (c) (w/ Cruise control)  
Cruise control vacuum hose
- (d) Air bleeder hose from water inlet housing

**31. INSTALL BATTERY****32. INSTALL INTERCOOLER**

Install the intercooler with the four bolts and two clamps.

**33. REFILL WITH COOLANT (See page CO-4)**

Capacity:

M/T

w/ Heater

12.2 liters (12.9 US qts, 10.7 Imp. qts)

Others

12.4 liters (13.1 US qts, 10.9 Imp. qts)

A/T

12.9 liters (13.6 US qts, 11.4 Imp. qts)

**34. REFILL WITH ENGINE OIL (See page LU-4)**

Oil capacity (w/o Oil cooler):

Drain and refill

w/o Oil filter change

3.0 liters (3.2 US qts, 2.6 Imp. qts)

w/ Oil filter change

3.3 liters (3.5 US qts, 2.9 Imp. qts)

Dry fill 3.7 liters (3.9 US qts, 3.3 Imp. qts)

Oil capacity (w/ Oil cooler):

Drain and refill

w/o Oil filter change

3.1 liters (3.3 US qts, 2.7 Imp. qts)

w/ Oil filter change

3.4 liters (3.6 US qts, 3.0 Imp. qts)

Dry fill 3.8 liters (4.0 US qts, 3.3 Imp. qts)

**35. CONNECT CABLE TO NEGATIVE TERMINAL OF BATTERY****36. START ENGINE AND CHECK FOR LEAKS****37. PERFORM ENGINE ADJUSTMENT**

Adjust the ignition timing.

(See steps 5 to 8 on pages IG-11, 12)

**38. INSTALL ENGINE UNDER COVER AND FUEL TANK PROTECTORS****39. PERFORM ROAD TEST**

Check for abnormal noise, shock, slippage, correct shift points and smooth operation.

**40. RECHECK ENGINE COOLANT AND ENGINE OIL LEVELS**

---

# SUPERCHARGER SYSTEM

	Page
TRUBLESHOOTING .....	SC-2
SUPERCHARGER .....	SC-3
SUPERCHARGER RELAY .....	SC-19

**SC**

## TROUBLESHOOTING

Problem	Possible cause	Remedy	Page
No supercharger pressure	Compressor does not rotate properly		
	(a) Drive belt loose or broken	Adjust or replace drive belt	MA-4
	(b) Compressor faulty	Repair compressor	SC-9
	Magnetic clutch does not engage		
	(a) Fuses blown	Check "EFI" or "IGN" fuse	
	(b) Supercharger relay faulty	Check supercharger relay	SC-19
Supercharger pressure too low	(c) Magnetic clutch faulty	Check magnetic clutch	SC-3
	(d) EFI ECU faulty	Check EFI ECU	
	(e) Wiring faulty	Check wiring	
	Drive belt slipping	Check or replace drive belt	MA-4
	Magnetic clutch faulty	Check magnetic clutch	SC-3
Supercharger pressure too high	Compressor faulty	Check compressor	SC-9
	ABV VSV faulty	Check ABV VSV	SC-12
	ABV faulty	Check ABV	SC-12
	EFI ECU faulty	Check EFI ECU	
	ABV VSV faulty	Check ABV VSV	SC-12
ABV faulty	Check ABV	SC-12	
EFI ECU faulty	Check EFI ECU		

# SUPERCHARGER

## ON-VEHICLE INSPECTION OF SUPERCHARGER

### 1. CHECK SUPERCHARGER OIL LEVEL

NOTE: With the engine cold, check the oil level on the dipstick.

- (a) Park the vehicle on a level spot and turn the engine off.
- (b) Remove the brake booster hose clamp.
- (c) Remove the VSV retaining bolt.

**CAUTION: Do not disconnect the hoses from the VSV.**

- (d) Turn the yellow-headed supercharger oil level dipstick counterclockwise and pull it out.
- (e) Wipe the dipstick clean with a rag.
- (f) Reinsert the dipstick. Turn it fully clockwise or the reading will not be correct.
- (g) Remove the dipstick again and look at the oil level on the end.
- (h) The oil level should be between the "L" and "F" marks on the dipstick.

If low, check for leakage and add oil up to the "F" mark as follows.

- (i) Add supercharger oil through the dipstick tube using a vinyl tube and syringe.

**Supercharger oil: Part No. 08885-80108 or equivalent**

- (j) Recheck the oil level.

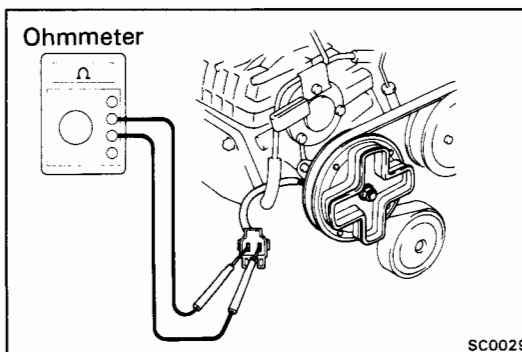
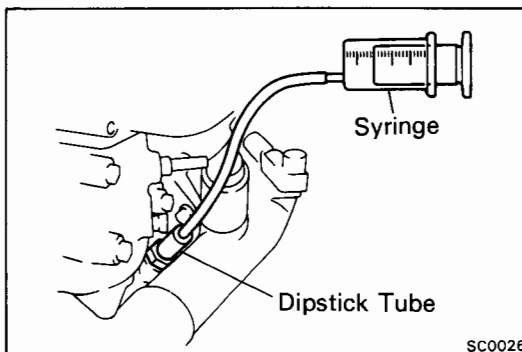
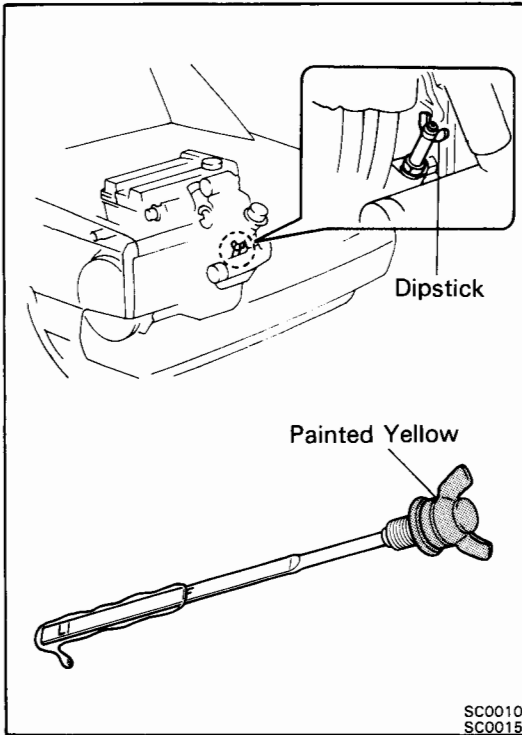
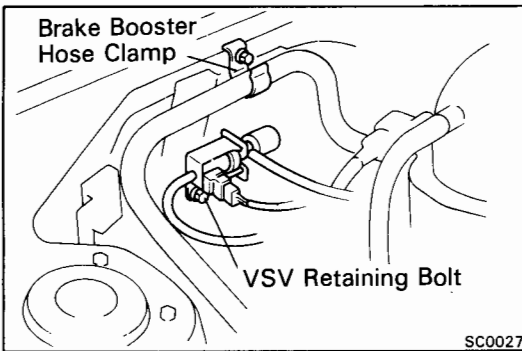
NOTE: Avoid overfilling and low level, or the supercharger could be damaged.

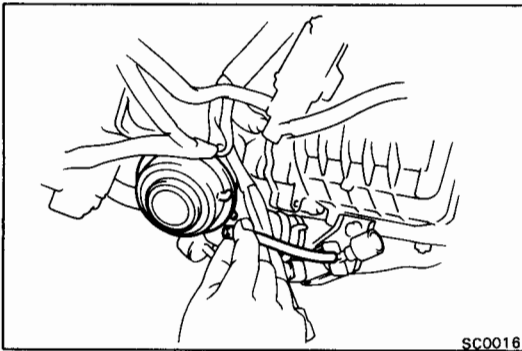
### 2. INSPECT MAGNET CLUTCH

- (a) Check that the magnet clutch goes ON when the throttle valve is suddenly opened during engine idling.
- (b) Using an ohmmeter, measure the resistance of the stator coil between the clutch lead wire terminals.

**Standard resistance:  $3.7 \pm 0.2 \Omega$  at 20°C (68°F)**

If the resistance is not as specified, replace the clutch stator.

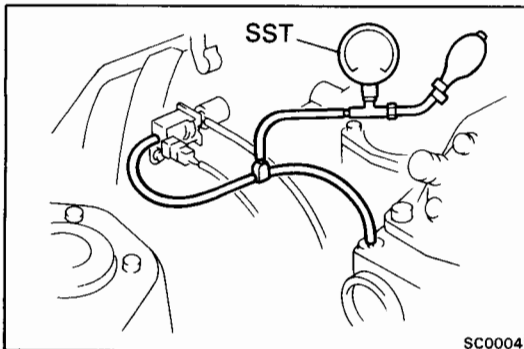




### 3. INSPECT AIR BY-PASS VALVE (ABV)

While the engine running, disconnect the ABV vacuum hose and check that there is normal operating noise in ABV.

### 4. (A/T vehicle) INSPECT STALL TEST (See page AT-8)



### 5. INSPECT SUPERCHARGER PRESSURE

- (a) Install SST (turbocharger pressure gauge) between the VSV and intake manifold with a three way.

SST 09992-00241

- (b) (M/T vehicle)

While driving with the engine running at 1,500 rpm on the fourth gear, fully open the throttle valve and check the supercharger pressure with the engine rpm at 2,000 rpm.

**Standard pressure: 0.25 kg/cm<sup>2</sup> (3.6 psi, 25 kPa)**

- (c) (A/T vehicle)

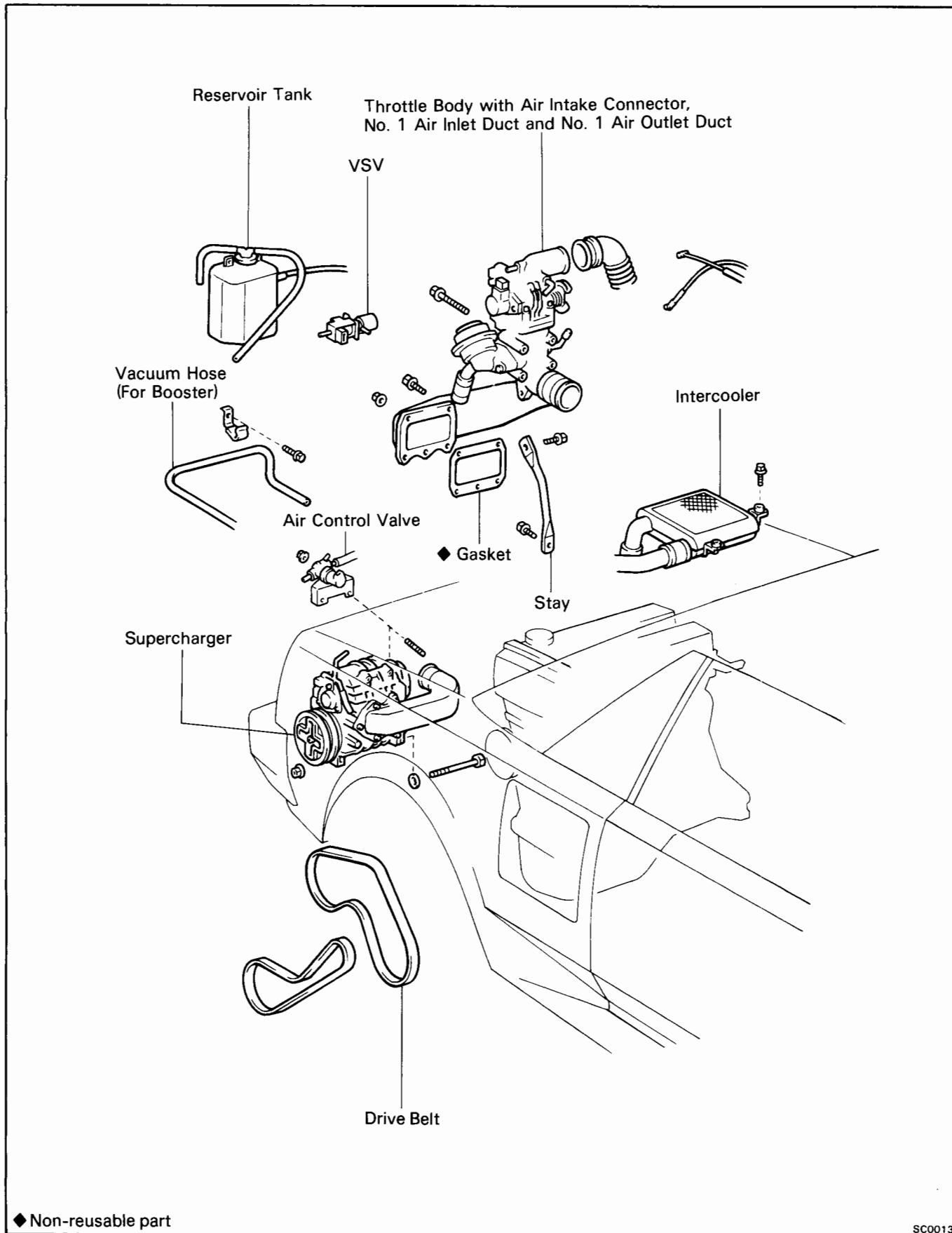
Check the supercharger pressure with a stall test.

**Standard pressure: 0.30 kg/cm<sup>2</sup> (4.3 psi, 29 kPa)**

If the pressure is less than that specified, inspect the supercharger assembly.

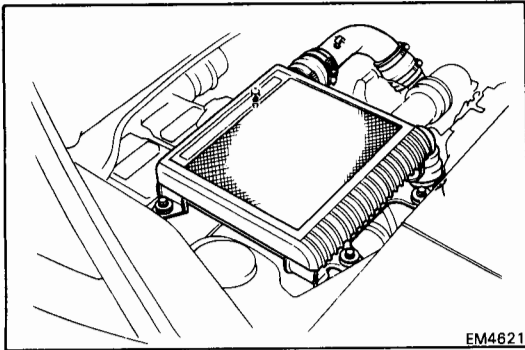
If the pressure is above specification, inspect the ABV system.

# REMOVAL OF SUPERCHARGER Components



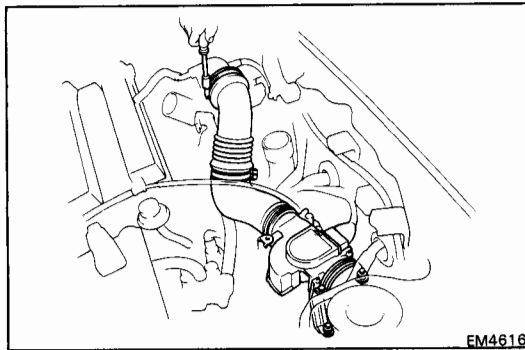
◆ Non-reusable part

1. **DISCONNECT CABLE FROM NEGATIVE TERMINAL OF BATTERY**
2. **DRAIN ENGINE COOLANT**
3. **REMOVE RADIATOR RESERVOIR TANK**
4. **REMOVE VSV**



5. **REMOVE INTERCOOLER**

Disconnect the two hose clamps, and remove the four bolts and intercooler.



6. **REMOVE AIR FLOW METER WITH NO.3 AIR CLEANER HOSE**

- (a) Disconnect the air flow meter connector.
- (b) Remove the bolt and EGR VSV without disconnect the connector.
- (c) Loosen the two clamps, and remove the three bolts and air flow meter with No.3 air cleaner hose.

7. **DISCONNECT ACCELERATOR CABLE (ROD) AND THROTTLE CABLE**

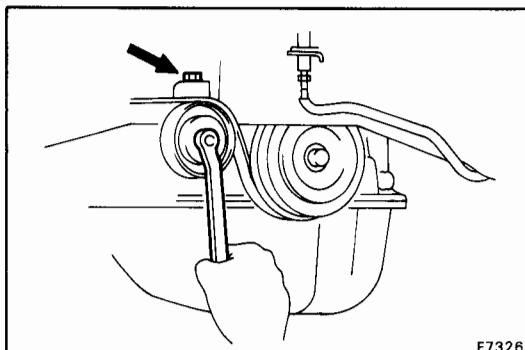
8. **DISCONNECT FOLLOWING HOSES:**

- (a) PCV hose
- (b) Brake booster hose
- (c) ACV hose
- (d) A/C idle up vacuum hose
- (e) Emission control vacuum hoses

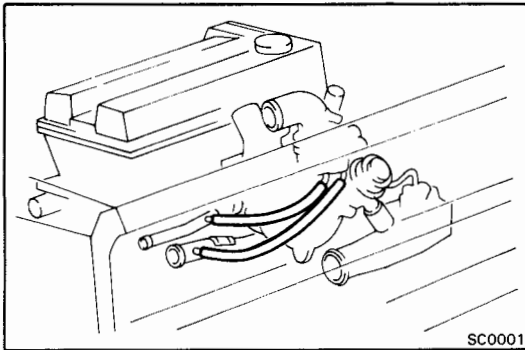
9. **REMOVE NO.1 INTAKE AIR CONNECTOR PIPE WITH AIR HOSE**

10. **REMOVE DRIVE BELT (FOR SUPERCHARGER)**

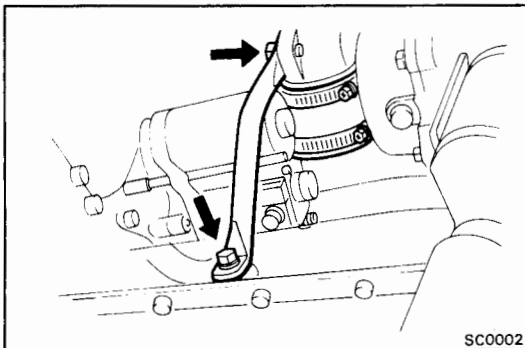
Loosen the idler pulley lock nut and adjusting bolt, and remove the drive belt.





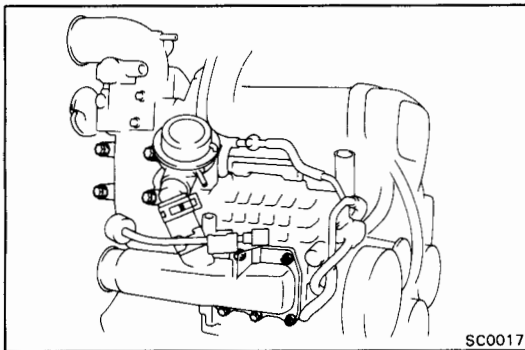


- 11. DISCONNECT NO.2 AND NO.3 WATER BY-PASS HOSES**



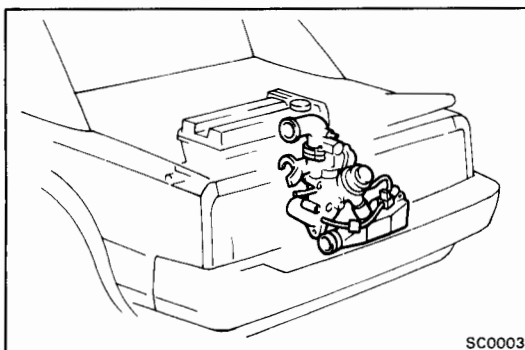
- 12. LOOSEN AIR HOSE CLAMP**

- 13. REMOVE TWO BOLTS AND AIR INLET DUCT STAY**

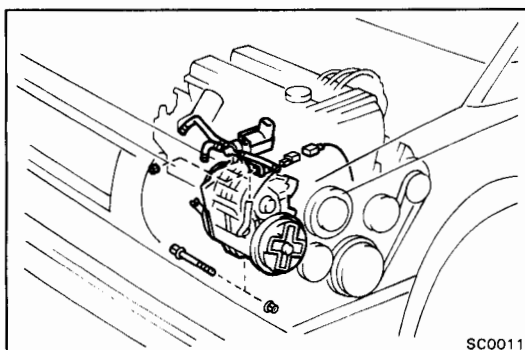


- 14. REMOVE THROTTLE BODY WITH AIR INTAKE CONNECTOR, NO.1 AIR INLET DUCT, AND NO.1 AIR OUTLET DUCT**

- (a) Remove the four bolt holding the No.1 inlet duct to the intake manifold.
- (b) Remove the three bolts and two nuts holding the No.1 air outlet duct to the supercharger housing.

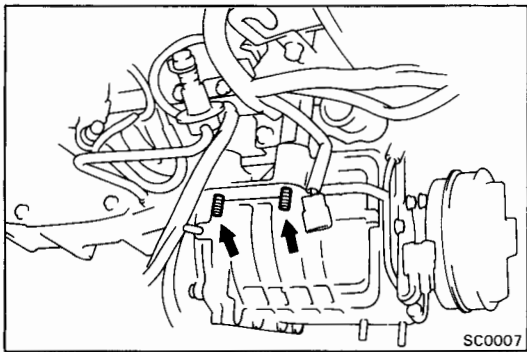


- (c) Remove the throttle body with air intake connector, No.1 air inlet duct and No.1 air outlet duct.

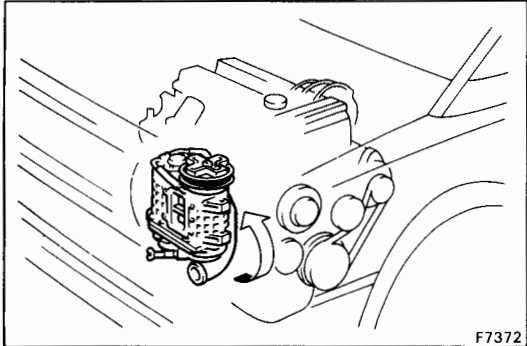


- 15. REMOVE SUPERCHARGER**

- (a) Disconnect the ACV and supercharger connectors.
- (b) Disconnect the two ACV hoses.
- (c) Remove the two nuts and ACV.
- (d) Remove the pivot bolt and nut.



(e) Remove the two stud bolts.

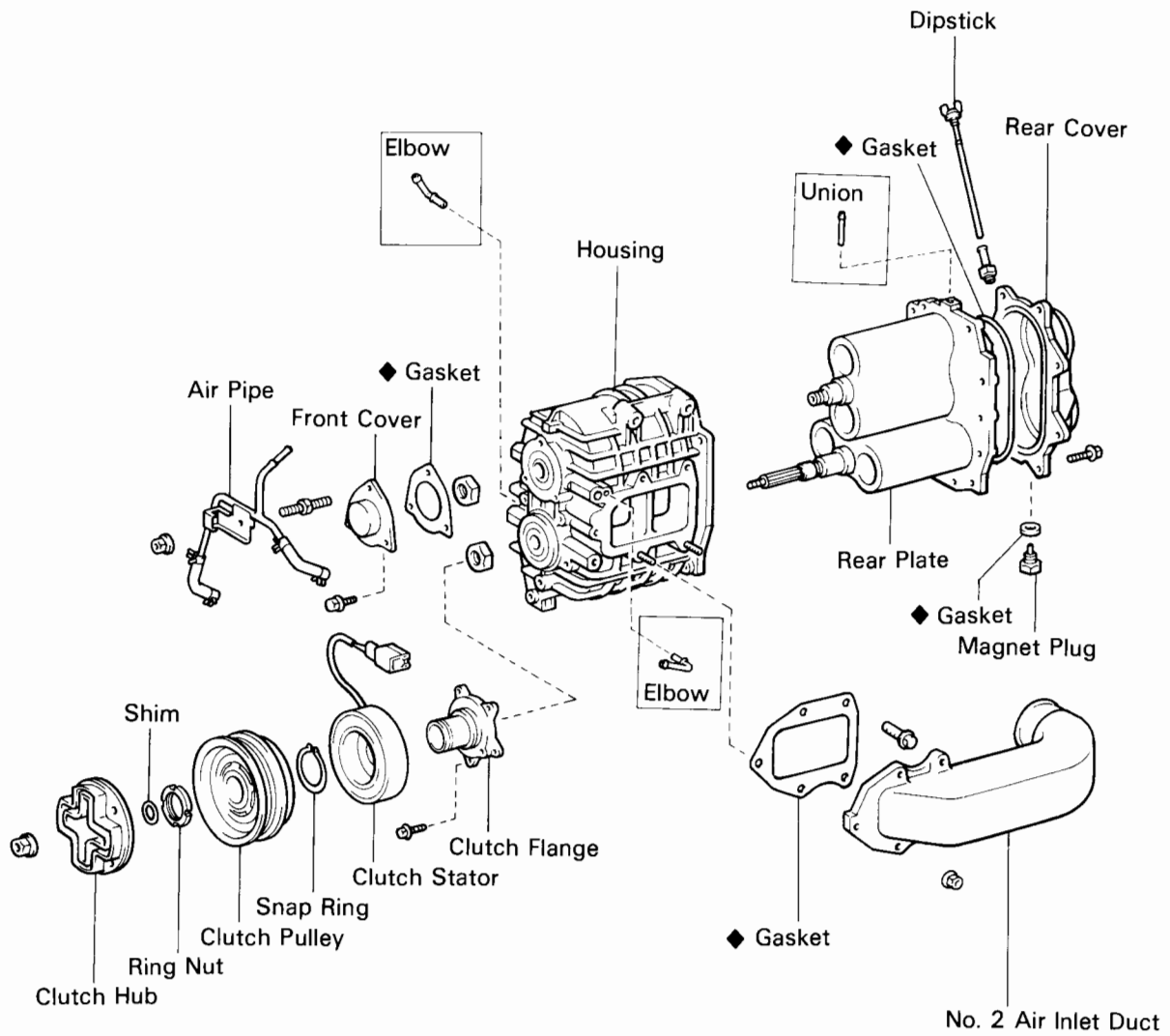


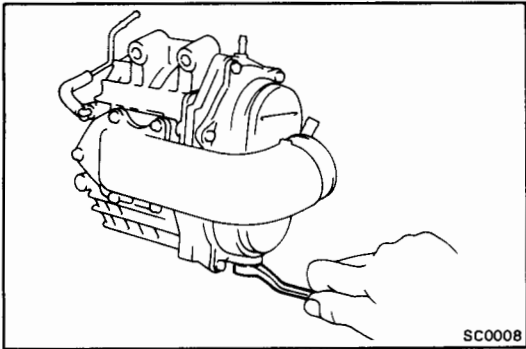
(f) As shown in the illustration, rotate the supercharger assembly so that the clutch hub is uppermost, then lift it upwards.

**CAUTION:** The vehicle body is easily scratched, so use a cloth or rag to protect it.

# DISASSEMBLY OF SUPERCHARGER

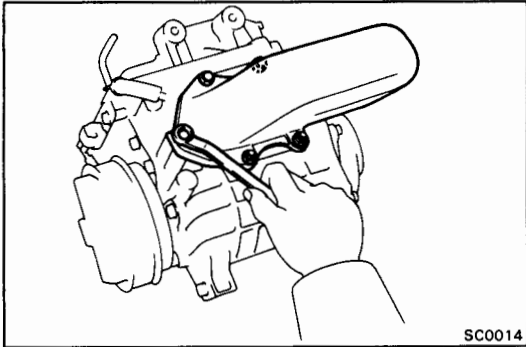
## Components





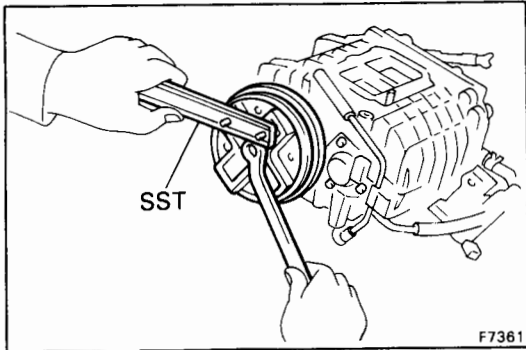
### 1. DRAIN SUPERCHARGER OIL

Remove the magnet plug under the rear cover and drain the oil.



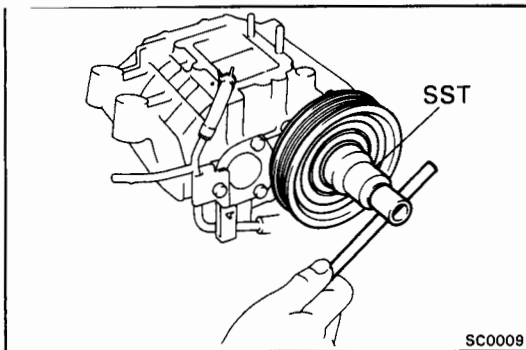
### 2. REMOVE NO.2 AIR INLET DUCT

Remove the five bolts and No.2 air inlet duct.



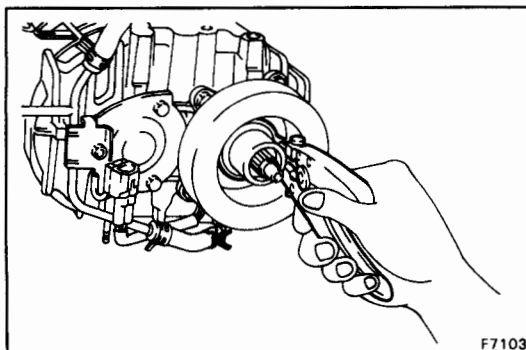
### 3. REMOVE CLUTCH HUB

Using SST, remove the nut, clutch hub and shim.  
SST 09504-00011



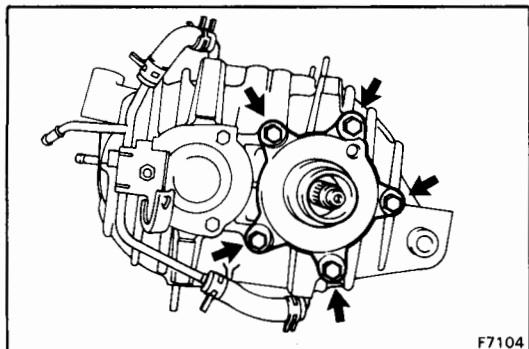
### 4. REMOVE CLUTCH PULLEY

- (a) Using SST, remove the ring nut.  
SST 09814-22010
- (b) Remove the clutch pulley and shim.

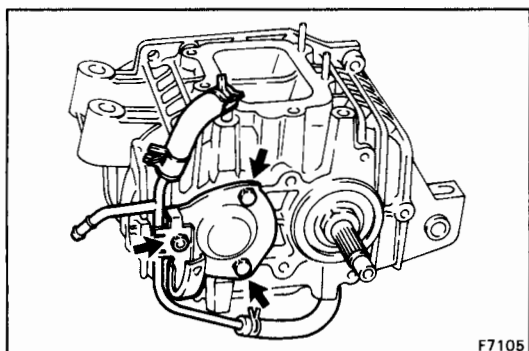


### 5. REMOVE CLUTCH STATOR

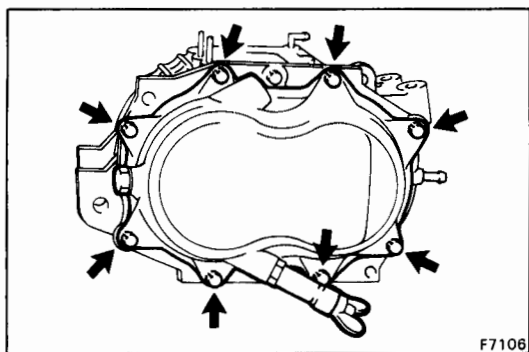
- (a) Disconnect the connector from the clamp.
- (b) Using snap ring pliers, remove the snap ring.
- (c) Remove the clutch stator.

**6. REMOVE CLUTCH FLANGE**

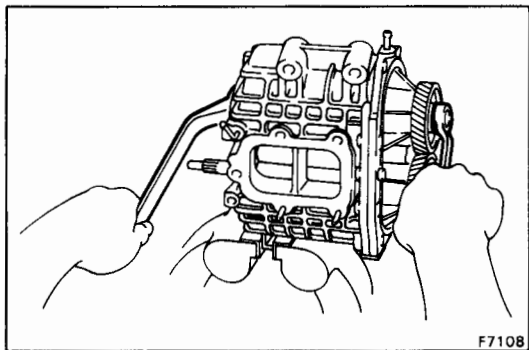
Remove the five bolts and clutch flange.

**7. REMOVE FRONT COVER**

- (a) Disconnect the air hoses from the housing.
- (b) Remove the nut and air pipe.
- (c) Remove the two bolts, stud bolt, front cover and gasket.

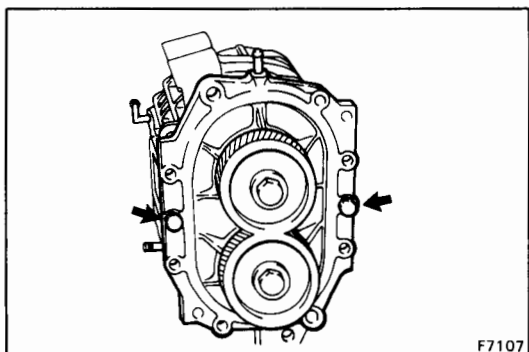
**8. REMOVE REAR COVER**

Remove the eight bolts, rear cover and gasket.

**9. REMOVE REAR PLATE**

- (a) Mount the supercharger in a soft jaw vise.
- (b) Secure the bolt and remove the nut. Remove the two nuts.

- (c) Remove the two bolts and rear plate.

**10. IF NECESSARY, REMOVE ELBOWS****11. IF NECESSARY, REMOVE UNION**

## INSPECTION OF SUPERCHARGER COMPONENTS

### 1. INSPECT HOUSING

Check that there is no damage on the inside surface of the housing.

### 2. INSPECT ROTOR

- Check that there is no damage on the outside of the rotor.
- Check that there is no looseness in the rotor and shaft and that the rotor rotate smoothly.

### 3. INSPECT BEARINGS

Check that the bearing is not rough or worn.

## INSPECTION OF AIR BY-PASS VALVE (ABV) AND AIR CONTROL VALVE (ACV) SYSTEM

### 1. INSPECT AIR BY-PASS VALVE (ABV)

Apply a vacuum to the ABV and measure the vacuum when the valve opens.

**Partially open vacuum:**

105 – 165 mmHg

(4.134 – 6.496 in.Hg, 13.00 – 21.99 kPa)

**Fully open vacuum:**

245 – 395 mmHg

(9.646 – 15.551 in.Hg, 32.66 – 52.65 kPa)

If the vacuum is not within specification, replace the ABV.

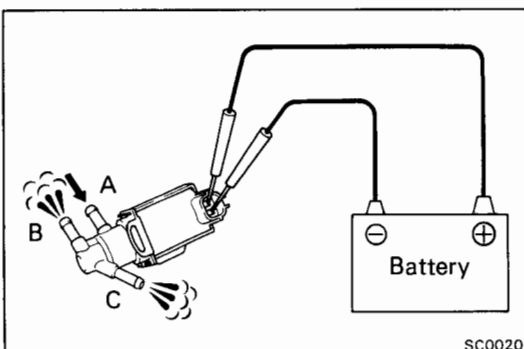
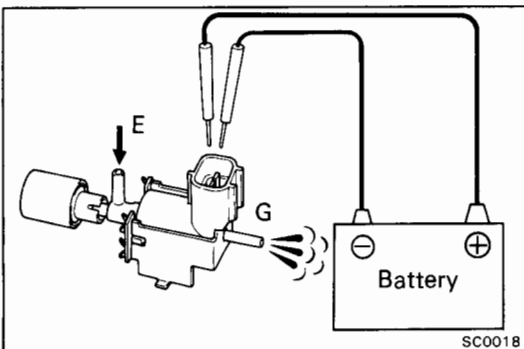
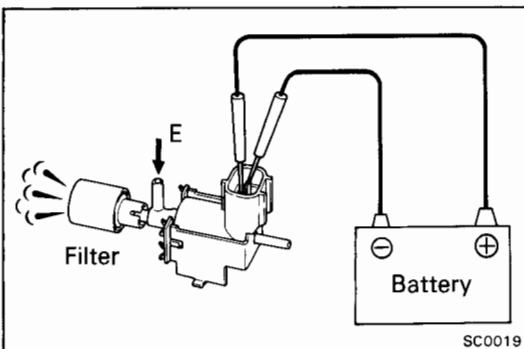
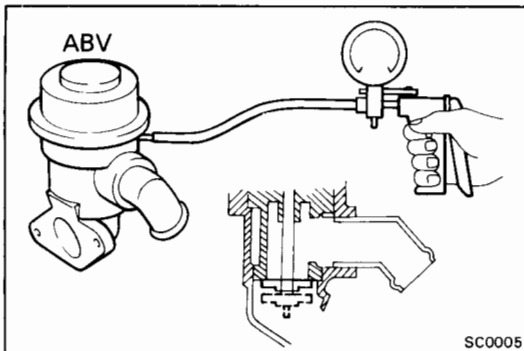
### 2. INSPECT ABV VSV

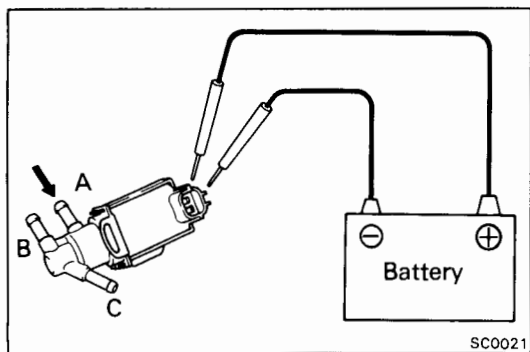
- Apply battery voltage across the terminals.
- Check that air flows from pipe E to air filter.
- Disconnect the battery terminals.
- Check that air flows from pipe E to G.

If a problem is found, replace the VSV.

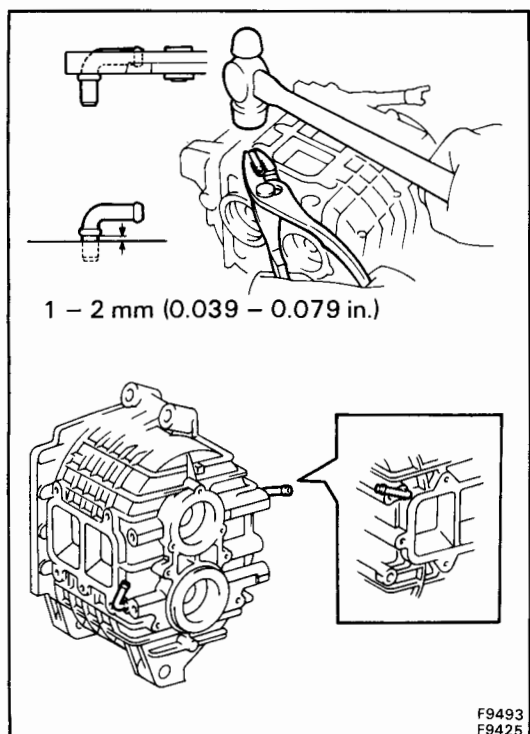
### 3. INSPECT ACV

- Apply battery voltage across the terminals.
- Check that air flows from pipe A to B and C.





- (c) Disconnect the battery terminals.
- (d) Check that air does not flow from pipe A to B or C. If a problem is found, replace the ACV.

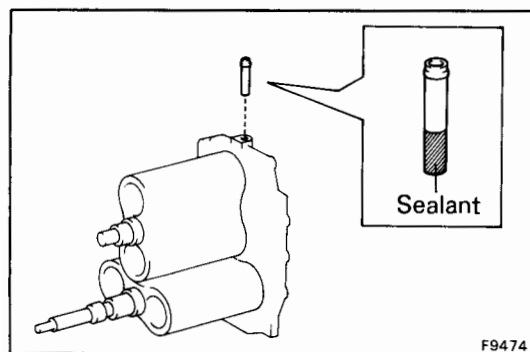


## INSTALLATION OF SUPERCHARGER

(See page SC-9)

### 1. INSTALL ELBOWS

Using pliers and a hammer, tap in the elbow so that it faces the same way as in the illustration.



### 2. INSTALL UNION

- (a) Apply a light coat of sealant to the part of the part of the union to be inserted into the rear plate.

**Sealant: Part No. 08833-00090, THREE BOND 1131, LOCTITE 518 or equivalent**

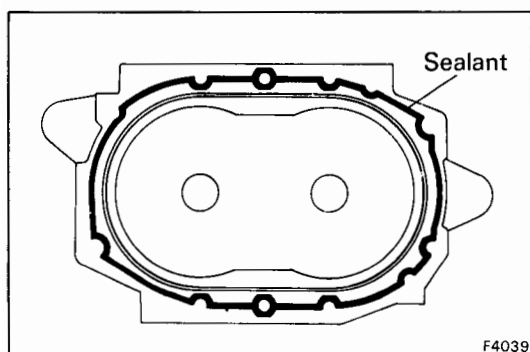
- (b) Using a hammer, tap the union into place with a block of wood, etc., placed between the union and the hammer.

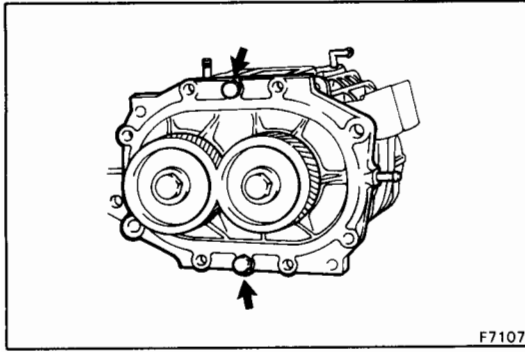
### 3. INSTALL REAR PLATE

- (a) Remove any packing material and be careful not to drop oil on the contacting surfaces of the rear plate and housing.
- (b) Apply engine oil to four locations on the upper surface of the rotor.
- (c) Apply a light coat of sealant to the outer edge of the groove on the side matching the housing.

**Sealant: Part No. 08833-00090, THREE BOND 1131, LOCTITE 518 or equivalent**

**CAUTION:** Do not apply the sealant too liberally or it will overflow the groove in the housing and be squeezed inside the housing.



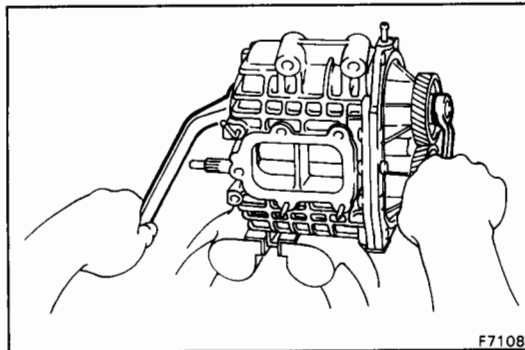


NOTE: The groove in the housing is to prevent sealant being squeezed inside housing.

(d) Install the rear plate as soon as the seal packing is applied.

(e) Install and torque the two bolts.

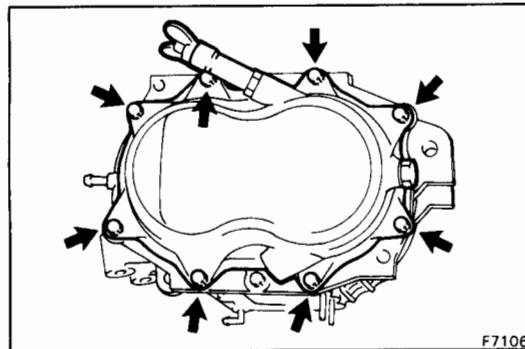
**Torque: 50 kg-cm (43 in.-lb, 4.9 N·m)**



(f) Mount the supercharger in a soft jaw vice.

(g) Secure the bolt and install the nut. Install the two nuts.

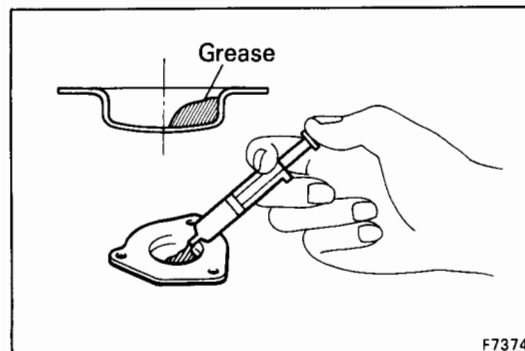
**Torque: 500 kg-cm (36 ft.-lb, 49 N·m)**



#### 4. INSTALL REAR COVER

Install a new gasket and the rear cover with the eight bolts.

**Torque: 50 kg-cm (43 in.-lb, 4.9 N·m)**



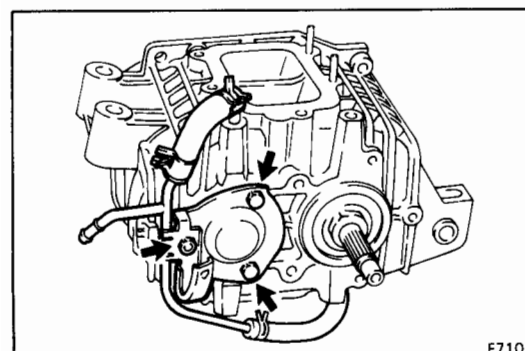
#### 5. INSTALL HOUSING FRONT COVER

(a) Remove the grease inside the housing front cover.

(b) Pour supercharger grease into the housing front cover.

**Grease: Part No.08887-80109 or equivalent**

**Grease capacity: 2 g (0.09 oz)**



(c) Install a new gasket and the housing front cover with the two bolts and stud bolt.

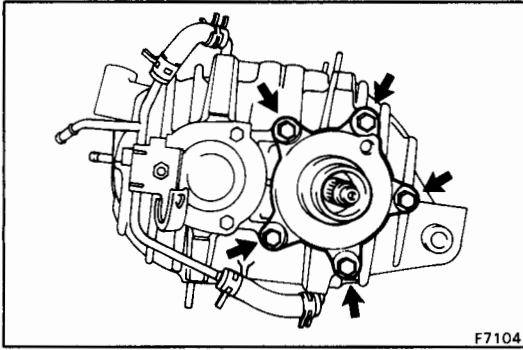
**Torque: 50 kg-cm (43 in.-lb, 4.9 N·m)**

(d) Install the air pipe with the nut.

**Torque: 50 kg-cm (43 in.-lb, 4.9 N·m)**

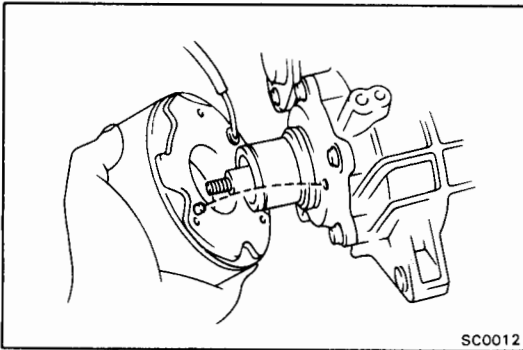
(e) Connect the air hoses to the housing.



**6. INSTALL CLUTCH FLANGE**

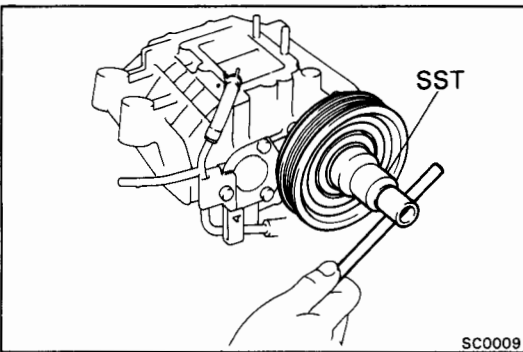
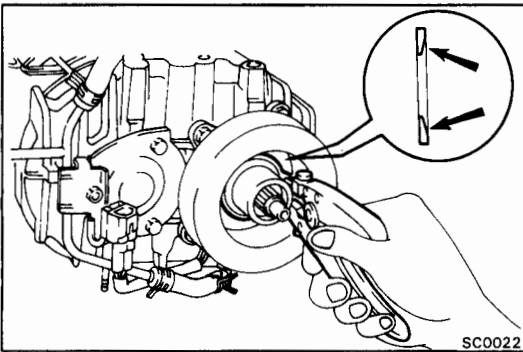
Install the clutch flange with the five bolts.

**Torque: 50 kg-cm (43 in.-lb, 4.9 N·m)**

**7. INSTALL CLUTCH STATOR**

(a) Align the hole of the clutch flange with the protrusion of the clutch stator.

(b) Using snap ring pliers, install the snap ring, facing the taper side toward the front.

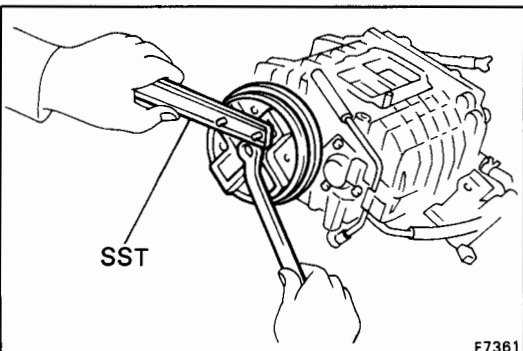
**8. INSTALL CLUTCH PULLEY**

(a) Install the clutch pulley.

(b) Using SST, install the ring nut.

SST 09814-22010

**Torque: 250 kg-cm (18 ft-lb, 25 N·m)**

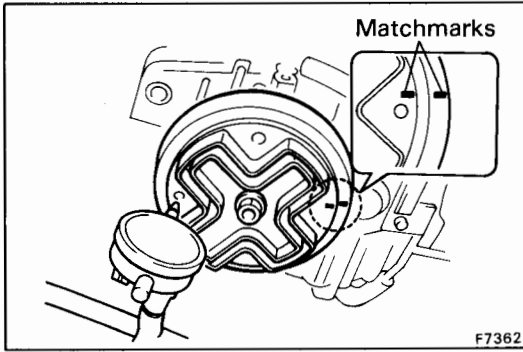
**9. INSTALL CLUTCH HUB**

(a) On the shaft install the shim used previously, then install the clutch hub.

(b) Using SST, install and torque the nut.

SST 09504-00011

**Torque: 200 kg-cm (14 ft-lb, 20 N·m)**



**10. INSPECT AND ADJUST AIR GAP OF MAGNET CLUTCH**

- (a) Set up a dial gauge as shown in the illustration.
- (b) Place the matchmarks to ensure that the positions of the pulley and clutch hub remain unchanged.
- (c) Apply battery voltage between the terminals of the connector, and measure the value of movement of the clutch hub.

NOTE: Take measurements starting from the second time the clutch hub is operated.

- (d) Measure the other three locations using the same method. Use the average value of the four locations for the air gap value.

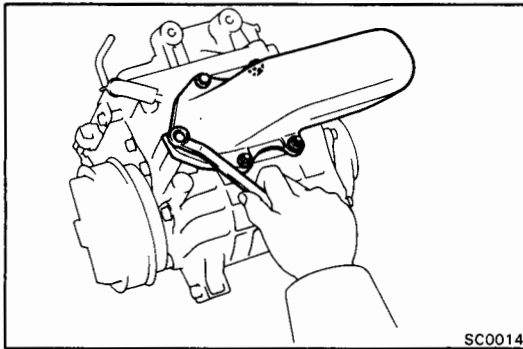
**Standard air gap: 0.35 – 0.65 mm  
(0.0138 – 0.0256 in.)**

If the air gap is not within specification, replace the shim.

Adjusting shim thickness		mm (in.)
0.1 (0.004)		0.7 (0.028)
0.3 (0.012)		0.9 (0.035)
0.5 (0.020)		1.1 (0.043)

**CAUTION:** When measuring, check that the location marks for the pulley and clutch hub are in the correct position.

NOTE: If the air gap is greater than specification, use a thinner shim. If the air gap is less than specifications, use a thicker shim.



**11. INSTALL NO.2 AIR INLET DUCT**

Install a new gasket and No.2 air inlet duct with the three bolts and two nuts.

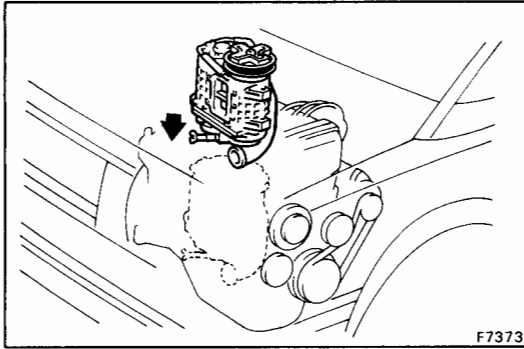
**Torque: 95 kg-cm (82 in.-lb, 9.4 N·m)**

**12. FILL WITH SUPERCHARGER OIL**

- (a) Clean and install the magnet plug with a new gasket.
- (b) Fill the supercharger with new oil.

**Supercharger oil: Part No.08885 - 80108 or equivalent**

**Oil capacity: 130 cc (7.9 cu in.)**



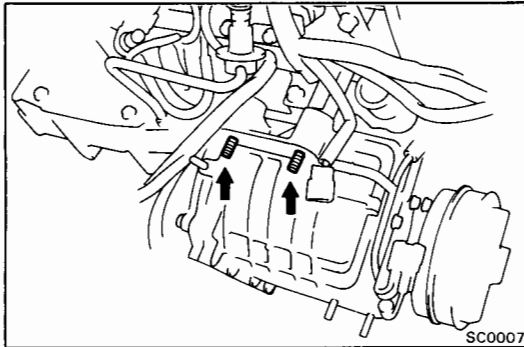
## INSTALLATION OF SUPERCHARGER

(See page SC-5)

### 1. INSTALL SUPERCHARGER

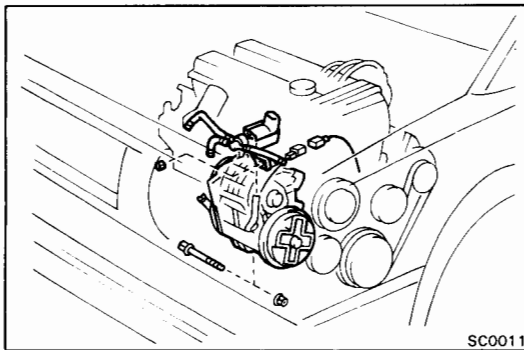
- (a) As shown in the illustration, insert the supercharger with the clutch hub uppermost.

**CAUTION:** The vehicle body is easily scratched, so use a cloth or rag to protect it.



- (b) Install the two stud bolts.

**Torque:** 350 kg-cm (25 ft-lb, 34 N·m)



- (c) Fix the lower part of the supercharger in place by inserting the pivot bolt from the rear of the engine.

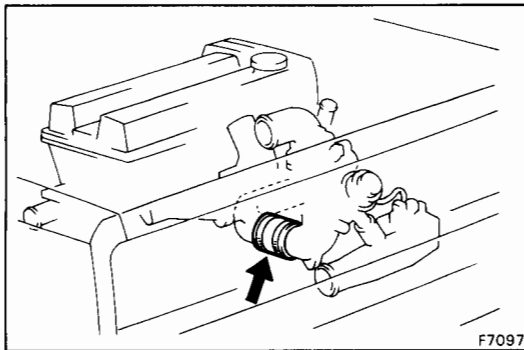
- (d) Install the supercharger by tightening the two nuts together with the air control valve.

**Torque:**

**Stud bolt side** 350 kg-cm (25 ft-lb, 34 N·m)

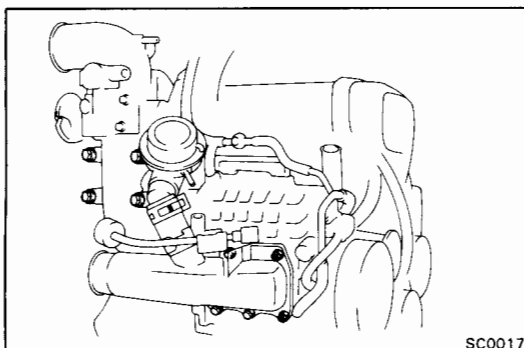
**Pivot bolt side** 600 kg-cm (47 ft-lb, 64 N·m)

- (e) Connect the ACV and supercharger connectors.



### 2. INSTALL THROTTLE BODY WITH AIR INTAKE CONNECTOR NO.1 AIR INLET DUCT, AND NO.1 AIR OUTLET DUCT

- (a) Push in the air hose to the No.2 air inlet duct.

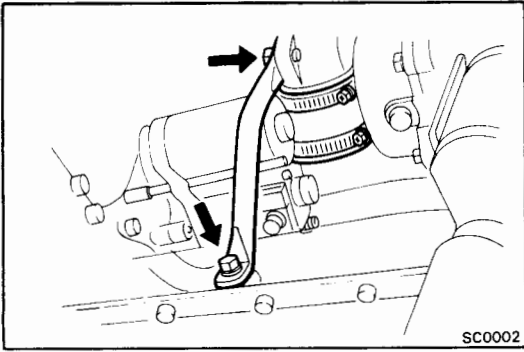


- (b) Install the four bolts holding the No.1 inlet duct to the intake manifold.

**Torque:** 190 kg-cm (14 ft-lb, 19 N·m)

- (c) Install a new gasket and the No.1 air outlet duct with the three bolts and two nuts.

**Torque:** 100 kg-cm (7 ft-lb, 10 N·m)

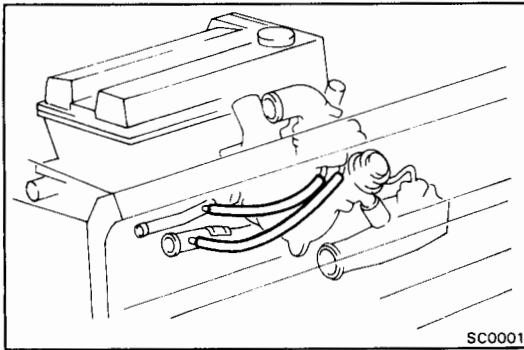


### 3. INSTALL AIR INLET DUCT STAY

Install the air inlet duct stay with the two bolts.

**Torque:** Duct side 220 kg-cm (16 ft-lb, 22 N·m)  
Block side 400 kg-cm (29 ft-lb, 39 N·m)

### 4. TIGHTEN AIR HOSE CLAMP



### 5. CONNECT NO.2 AND NO.3 WATER BY-PASS HOSES

### 6. INSTALL DRIVE BELT (See page MA-4)

### 7. INSTALL NO.1 INTAKE AIR CONNECTOR PIPE WITH AIR HOSE

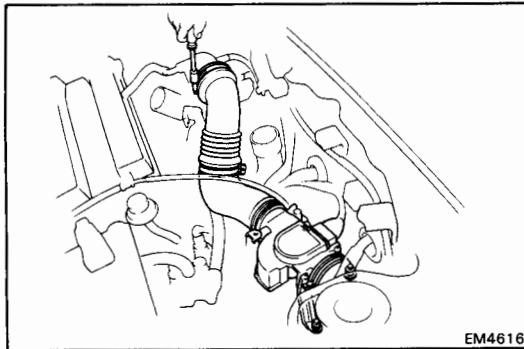
### 8. CONNECT FOLLOWING HOSE:

- (a) PCV hose
- (b) Brake booster hose
- (c) ACV hose
- (d) A/C idle up vacuum hose
- (e) Emission control vacuum hoses

### 9. CONNECT ACCELERATOR CABLE (ROD) AND THROTTLE CABLE

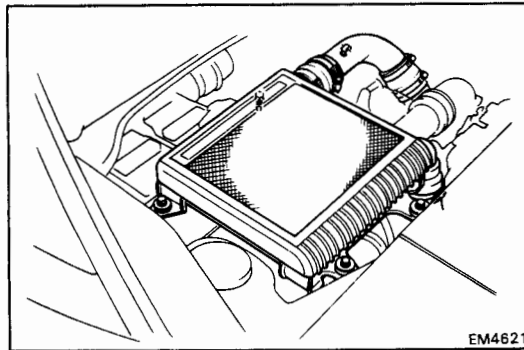
### 10. INSTALL AIR FLOW METER WITH NO.3 AIR CLEANER HOSE

- (a) Install the air flow meter with No.3 air cleaner hose with the three bolts and two clamps.
- (b) Install the EGR VSV with the bolt.
- (c) Connect the air flow meter connector.



### 11. INSTALL INTERCOOLER

Install the intercooler with four bolts and two clamps.

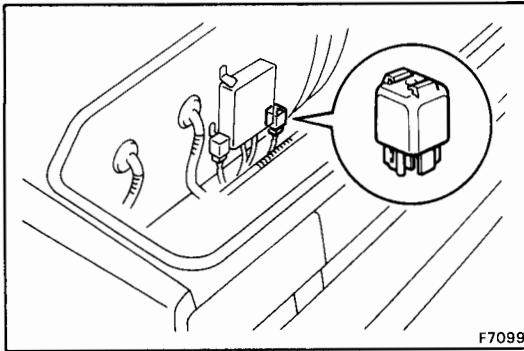


### 12. INSTALL VSV

### 13. INSTALL RADIATOR RESERVOIR TANK

### 14. FILL WITH ENGINE COOLANT

### 15. CONNECT CABLE TO NEGATIVE TERMINAL OF BATTERY

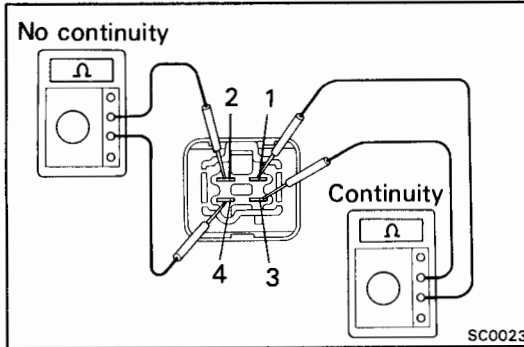


## SUPERCHARGER RELAY

### INSPECTION OF SUPERCHARGER RELAY

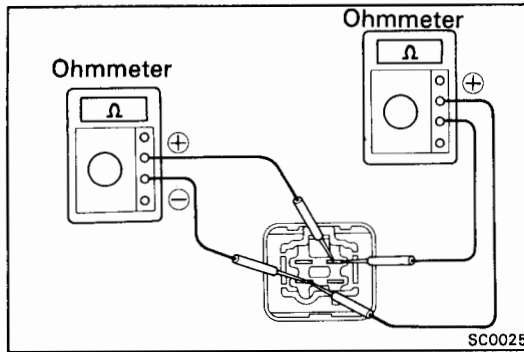
#### INSPECT SUPERCHARGER RELAY

Location: Inside of the luggage compartment trim.



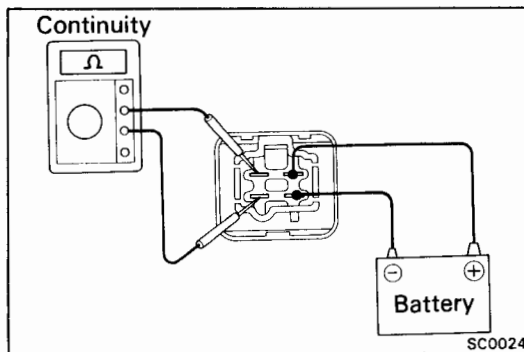
#### A. Inspect Relay Continuity

- (a) Using an ohmmeter, check that there is continuity between terminals 1 and 3.
- (b) Check that there is no continuity between terminal 2 and 4.



- (c) Check the continuity between terminals 1 and 4.
- (d) Reverse the polarity of the tester probes and repeat step (c).
- (e) Check that one shows continuity and the other shows no continuity.

If continuity is not as specified, replace the relay.



#### B. Inspect Relay Operation

- (a) Apply battery voltage across terminals 1 and 3.
- (b) Check that there is continuity between terminals 2 and 4.

If operation is not as specified, replace the relay.

# EMISSION CONTROL SYSTEMS

	Page
SYSTEM PURPOSE .....	EC-2
COMPONENT LAYOUT AND SCHEMATIC DRAWING (4A-GE) .....	EC-3
COMPONENT LAYOUT AND SCHEMATIC DRAWING (4A-GZE) .....	EC-4
POSITIVE CRANKCASE VENTILATION (PCV) SYSTEM .....	EC-5
FUEL EVAPORATIVE EMISSION CONTROL (EVAP) SYSTEM .....	EC-6
DASH POT (DP) SYSTEM .....	EC-8
EXHAUST GAS RECIRCULATION (EGR) SYSTEM (4A-GE) .....	EC-10
EXHAUST GAS RECIRCULATION (EGR) SYSTEM (4A-GZE) .....	EC-16
THREE-WAY CATALYST (TWC) SYSTEM .....	EC-21

**NOTE: TROUBLESHOOTING**  
(See page EM-2)

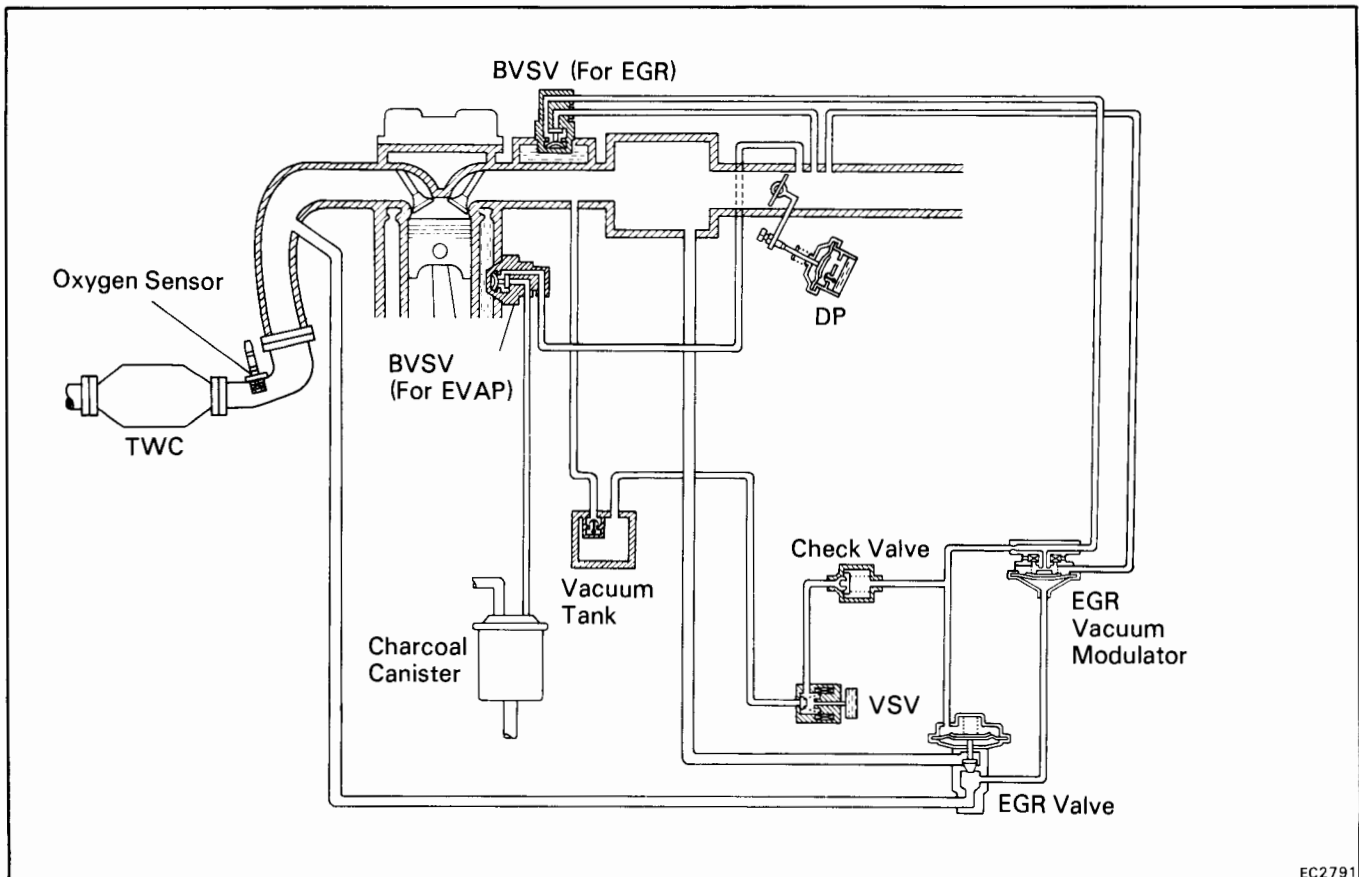
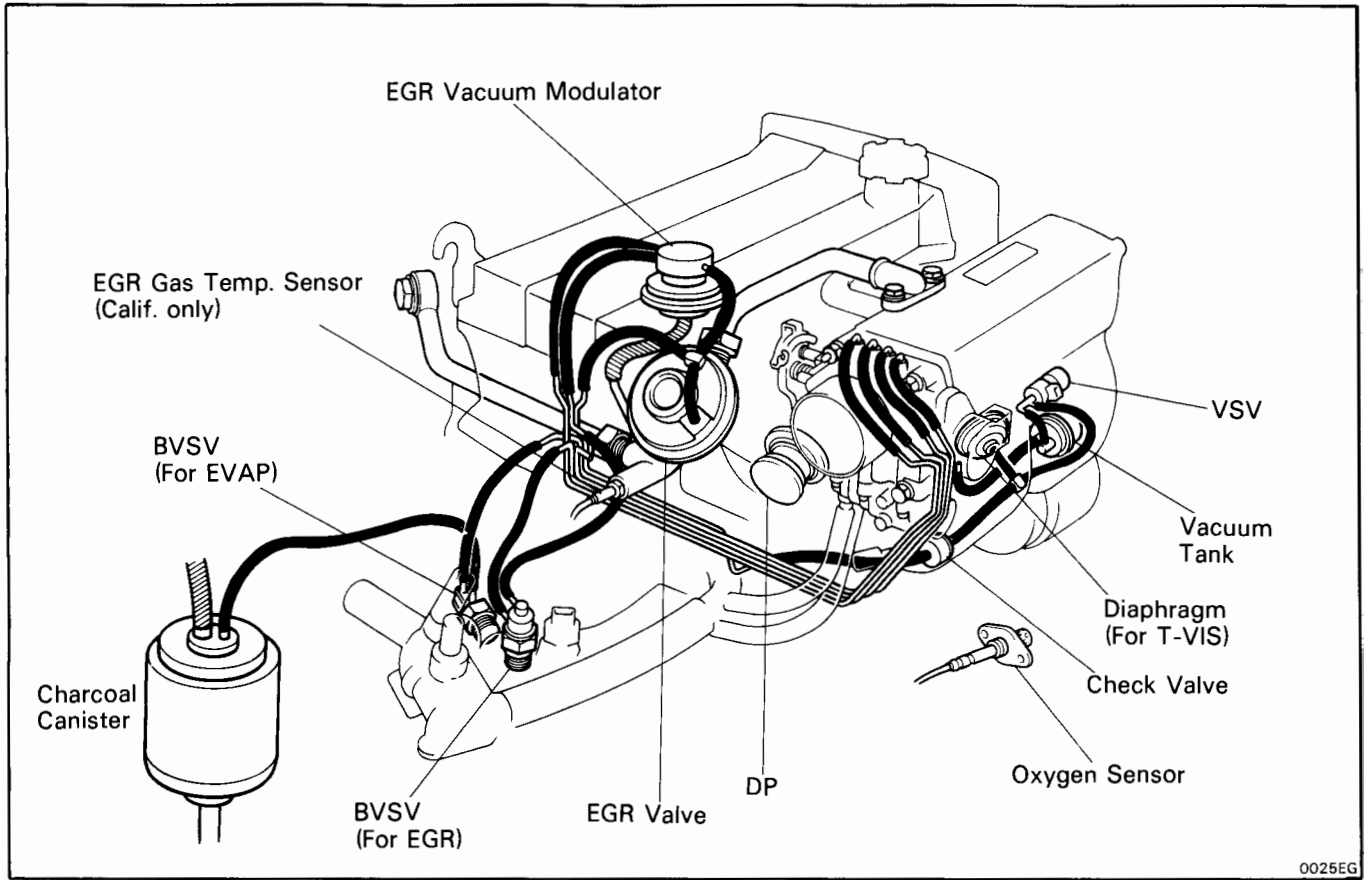
**EC**

**SYSTEM PURPOSE**

<b>System</b>	<b>Abbreviation</b>	<b>Purpose</b>
Positive crankcase ventilation	PCV	Reduces blow-by gas (HC)
Fuel evaporative emission control	EVAP	Reduces evaporative HC
Dash pot	DP	Reduces HC and CO
Exhaust gas recirculation	EGR	Reduces NOx
Three-way catalyst	TWC	Reduces HC, CO and NOx
Electronic fuel injection*	EFI	Regulates all engine conditions for reduction of exhaust emissions.

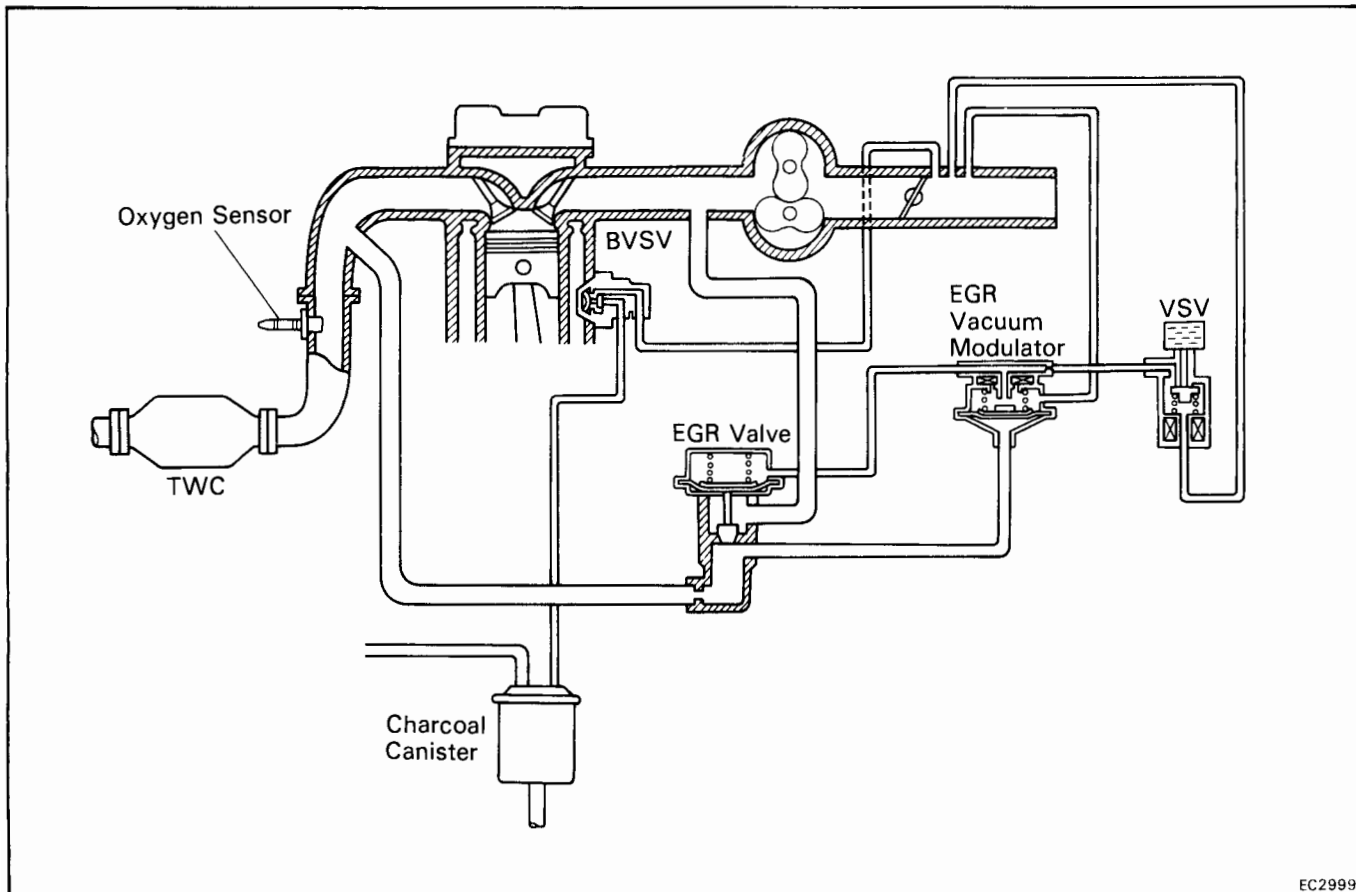
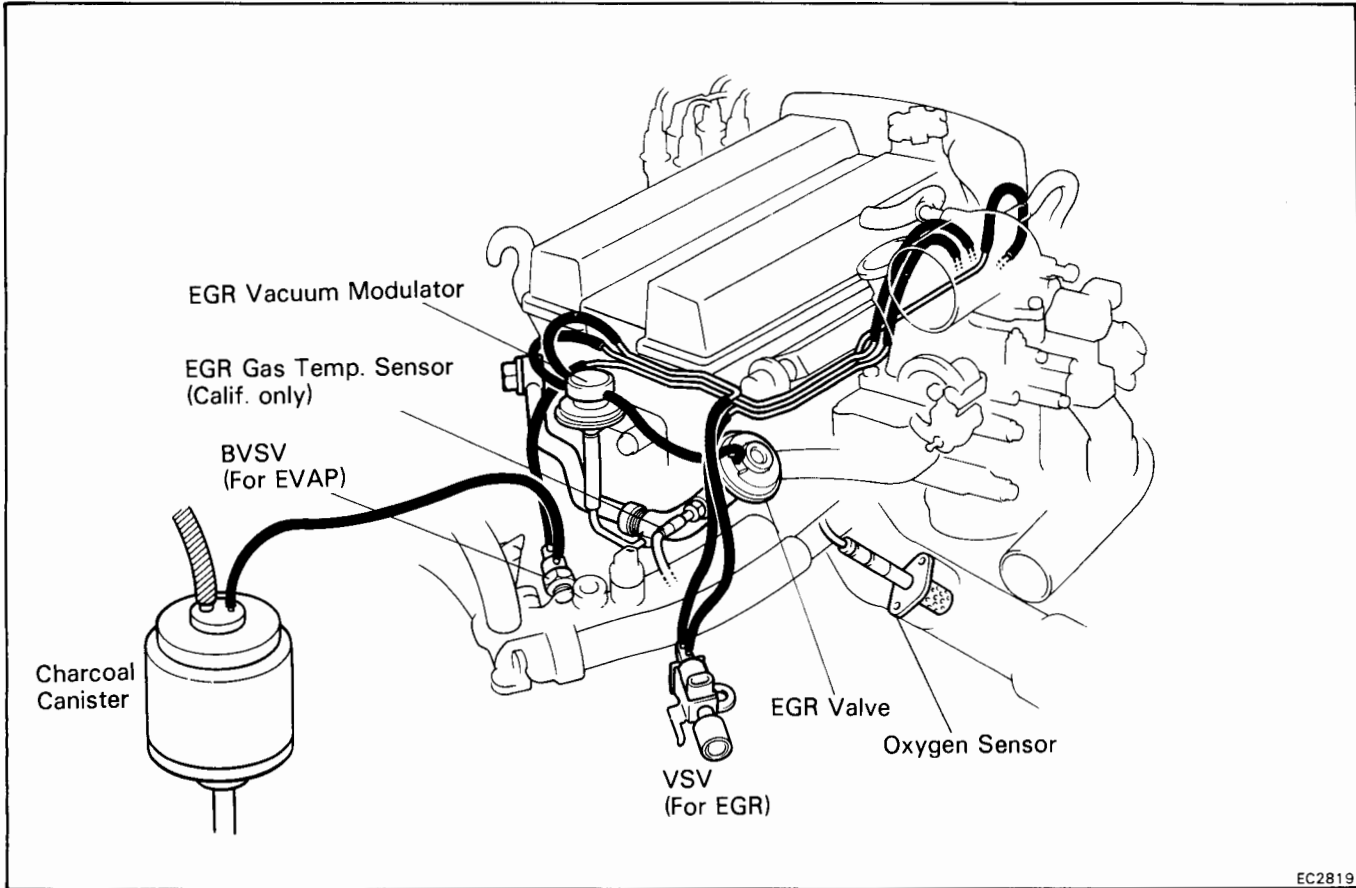
\* For inspection and repair of the EFI system, refer to EFI section.

# COMPONENT LAYOUT AND SCHEMATIC DRAWING (4A-GE)

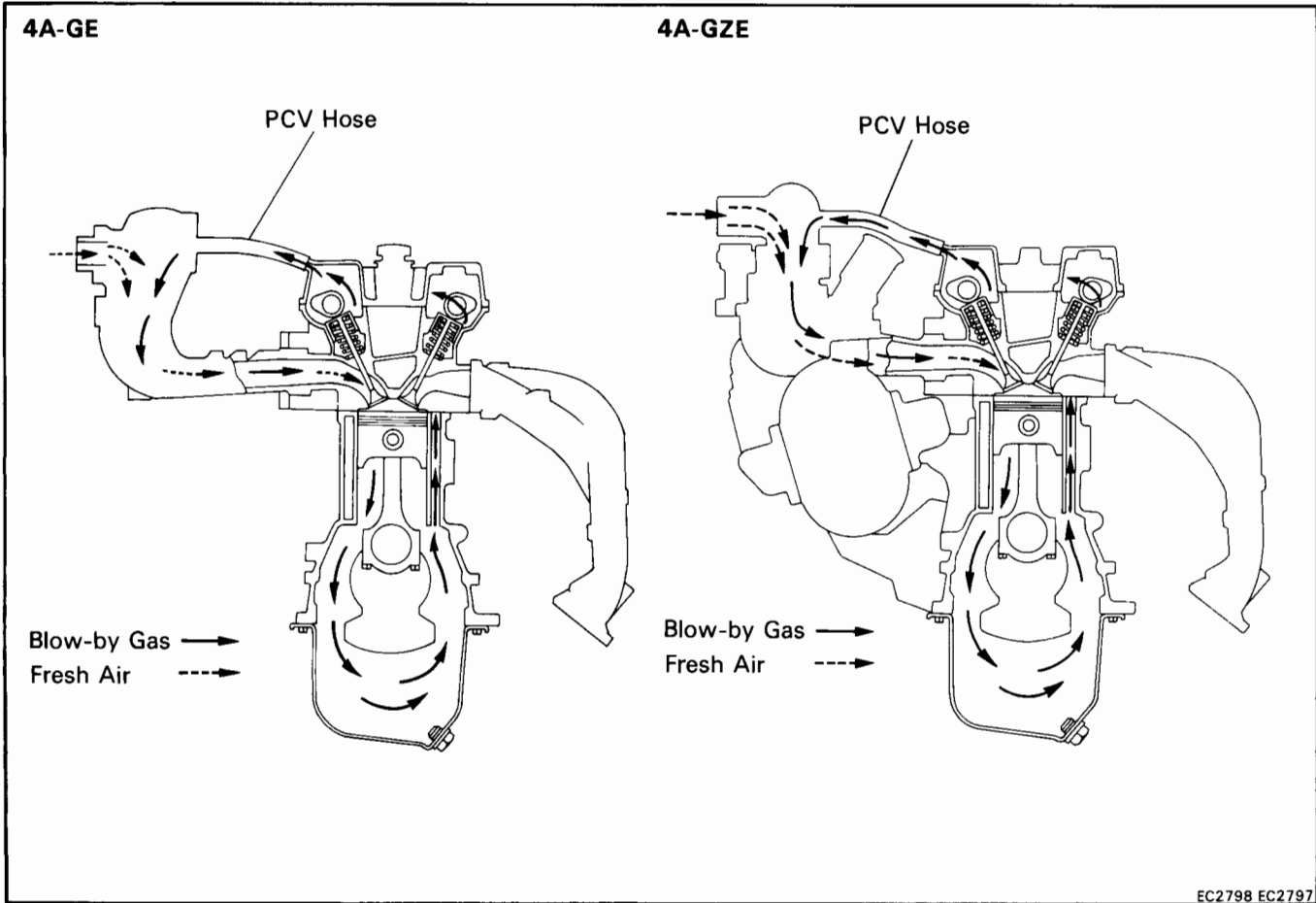




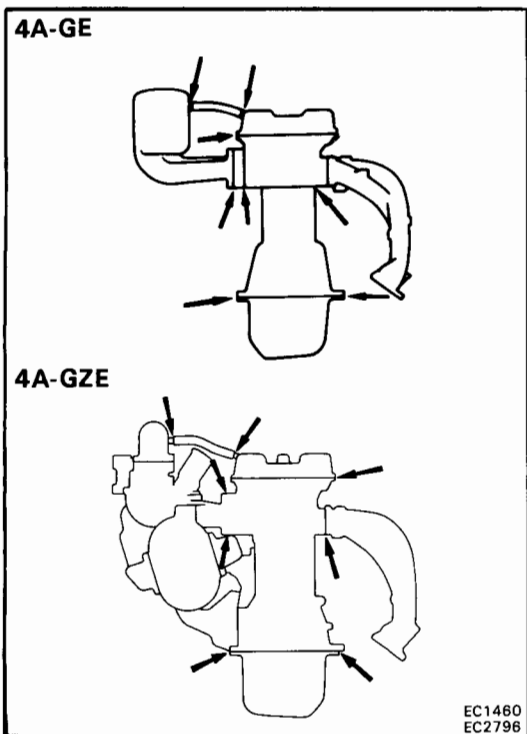
# COMPONENT LAYOUT AND SCHEMATIC DRAWING (4A-GZE)



# POSITIVE CRANKCASE VENTILATION (PCV) SYSTEM



To reduce HC emissions, crankcase blow-by gas (HC) is routed to the intake manifold for combustion in the cylinders.

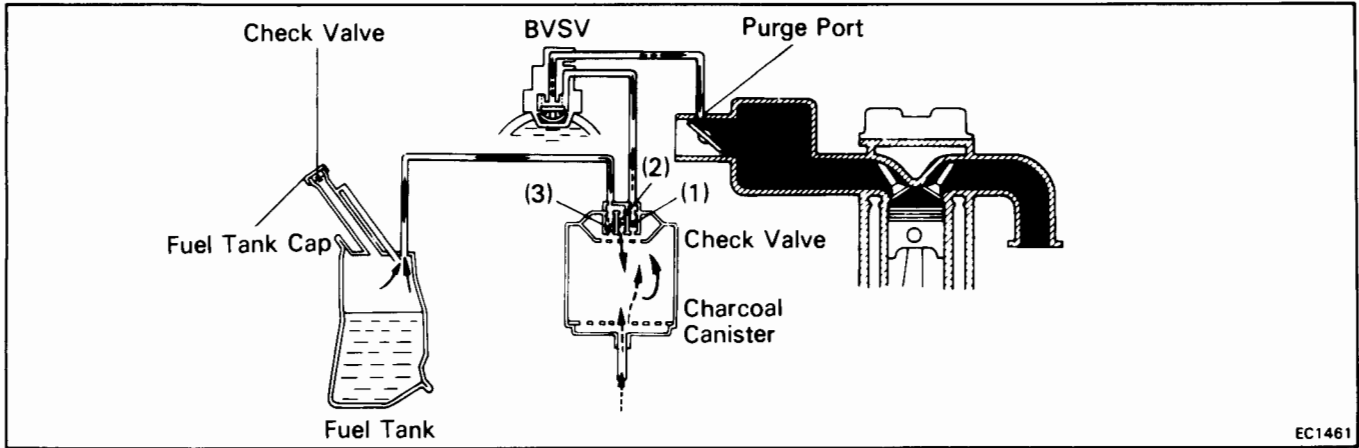


## INSPECTION OF PCV HOSES AND CONNECTIONS

**VISUALLY INSPECT HOSES, CONNECTIONS AND GASKETS**

Check for cracks, leaks or damage.

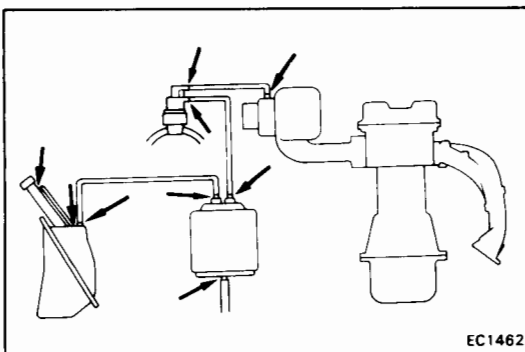
# FUEL EVAPORATIVE EMISSION CONTROL (EVAP) SYSTEM



EC1461

To reduce HC emissions, evaporated fuel from the fuel tank is routed through the charcoal canister to the intake manifold for combustion in the cylinders.

Coolant Temp.	BVSV	Throttle Valve Opening	Canister Check Valve			Check Valve in Cap	Evaporated Fuel (HC)
			(1)	(2)	(3)		
Below 35°C (95°F)	CLOSED	—	—	—	—	—	HC from tank is absorbed into the canister.
Above 54°C (129°F)	OPEN	Positioned below purge port	CLOSED	—	—	—	
		Positioned above purge port	OPEN	—	—	—	HC from canister is led into air intake manifold.
High pressure in tank	—	—	—	OPEN	CLOSED	CLOSED	HC from tank is absorbed into the canister.
High vacuum in tank	—	—	—	CLOSED	OPEN	OPEN	Air is led into the fuel tank.



EC1462

## INSPECTION OF FUEL VAPOR LINES, FUEL TANK AND TANK CAP

### 1. VISUALLY INSPECT LINES AND CONNECTIONS

Look for loose connections, kinks or damage.

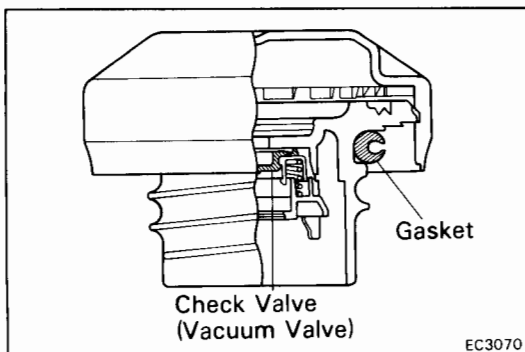
### 2. VISUALLY INSPECT FUEL TANK

Look for deformation, cracks or fuel leakage.

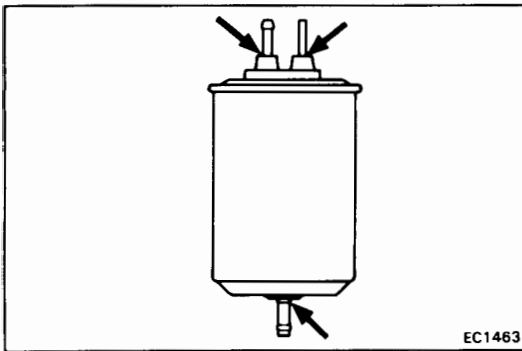
### 3. VISUALLY INSPECT FUEL TANK CAP

Look for a damaged or deformed gasket and cap.

If necessary, repair or replace the cap.



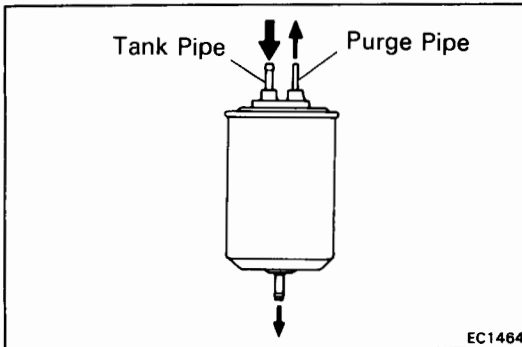
EC3070



## INSPECTION OF CHARCOAL CANISTER

1. REMOVE CHARCOAL CANISTER
2. VISUALLY INSPECT CHARCOAL CANISTER CASE

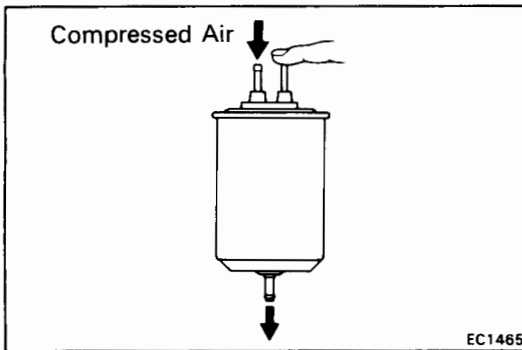
Look for cracks or damage.



3. CHECK FOR CLOGGED FILTER AND STUCK CHECK VALVE

- (a) Using low pressure compressed air, blow into the tank pipe and check that air flows without resistance from the other pipes.
- (b) Blow into the purge pipe and check that air does not flow from the other pipes.

If a problem is found, replace the charcoal canister.



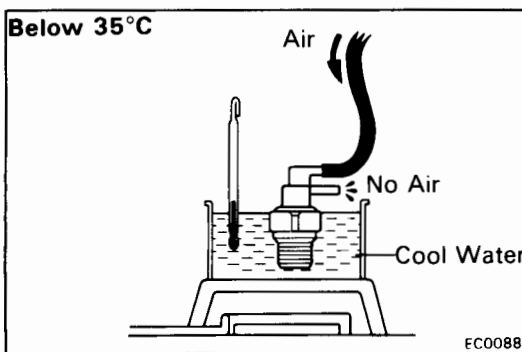
4. CLEAN FILTER IN CANISTER

Clean the filter by blowing 3 kg/cm<sup>2</sup> (43 psi, 294 kPa) of air into the tank pipe while holding the other upper canister pipe closed.

NOTE:

- Do not attempt to wash the canister.
- No activated carbon should come out.

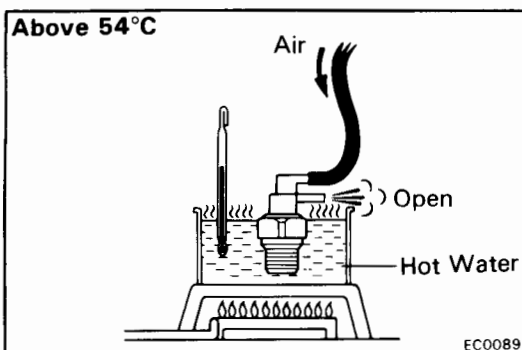
5. INSTALL CHARCOAL CANISTER



## INSPECTION OF BVSV

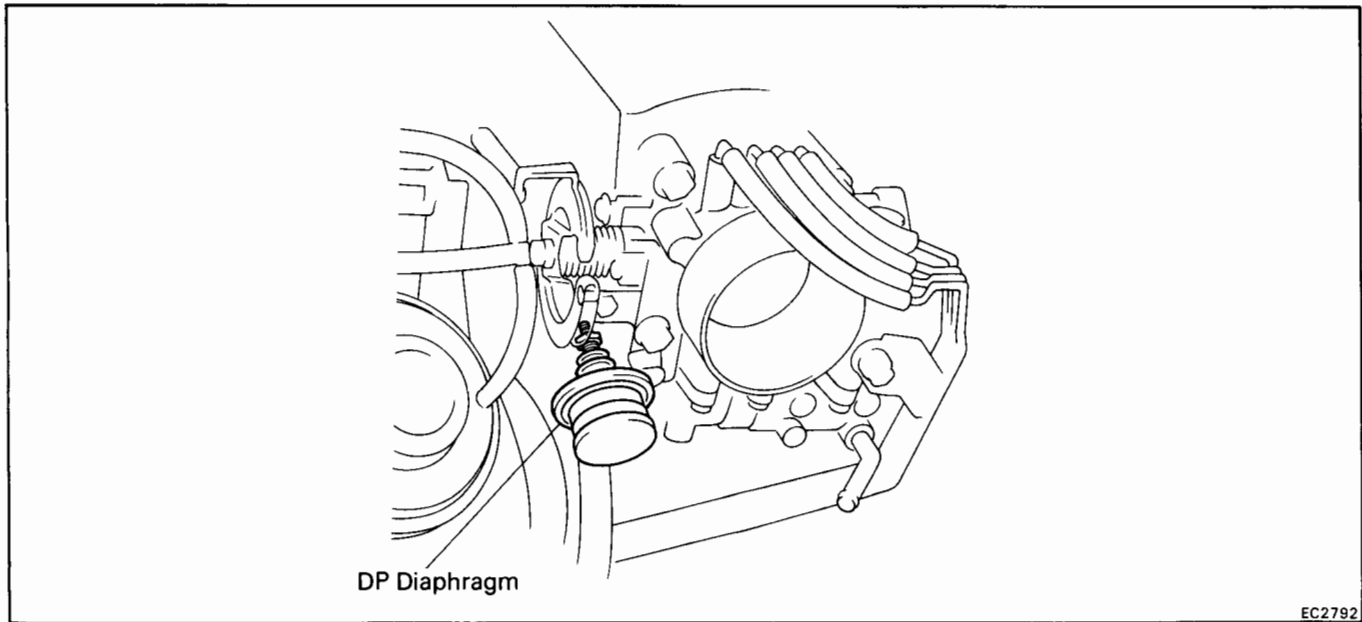
### CHECK BVSV BY BLOWING AIR INTO PIPE

- (a) Drain the coolant from the cylinder block into a suitable container.
  - (b) Remove the BVSV.
  - (c) Cool the BVSV to below 35°C (95°F) with cool water.
  - (d) Blow air into a pipe and check that the BVSV is closed.
  - (e) Heat the BVSV to above 54°C (129°F) with hot water.
  - (f) Blow air into a pipe and check that the BVSV is open.
- If a problem is found, replace the BVSV.

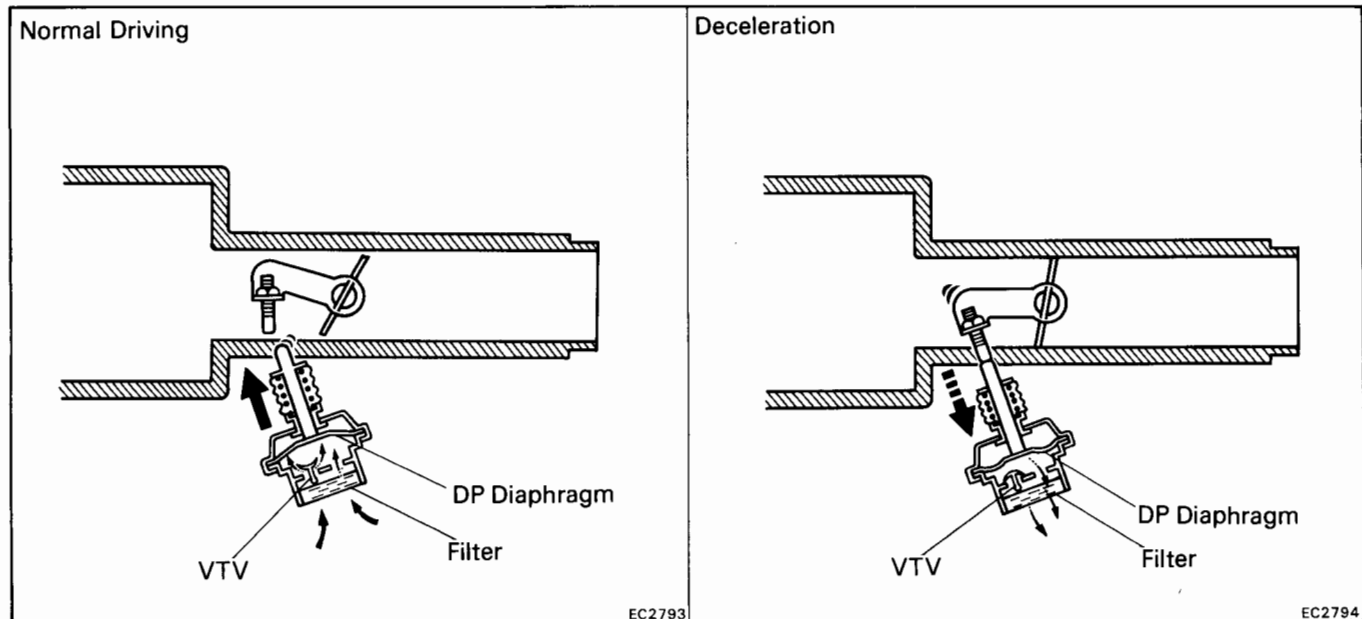


- (g) Apply liquid sealer to the threads of the BVSV and reinstall.
- (h) Fill the cylinder block with coolant.

## DASH POT (DP) SYSTEM (4A-GE only)

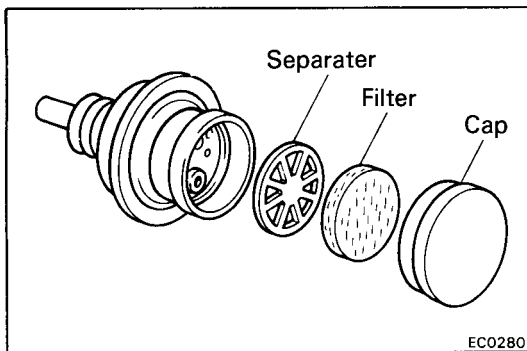


EC2792



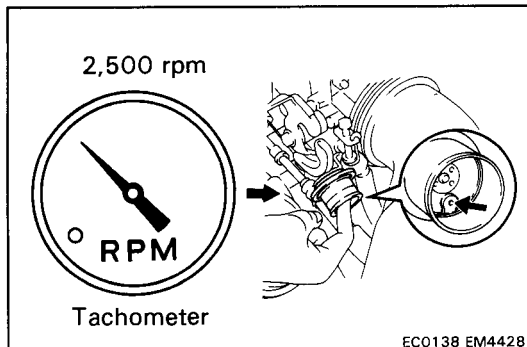
To reduce HC and CO emissions, when decelerating the dash pot opens the throttle valve slightly more than at idle. This causes the air-fuel mixture to burn completely.

Condition	Diaphragm	VTV	Throttle Valve
Idling	Pushed in by return force of throttle valve	CLOSED	Idle speed position
Normal driving	Pushed out by diaphragm spring	OPEN	High speed position
Deceleration	Pushed in by return force of throttle valve	CLOSED	Slightly opens and then slowly closes to idle position

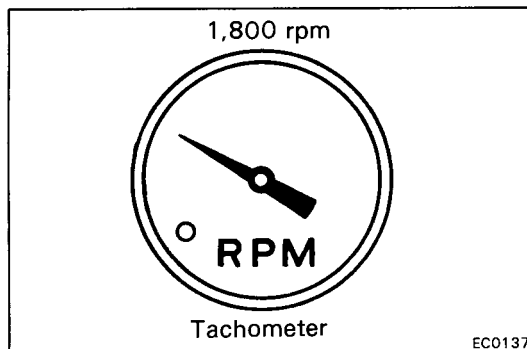


## INSPECTION OF DP SYSTEM

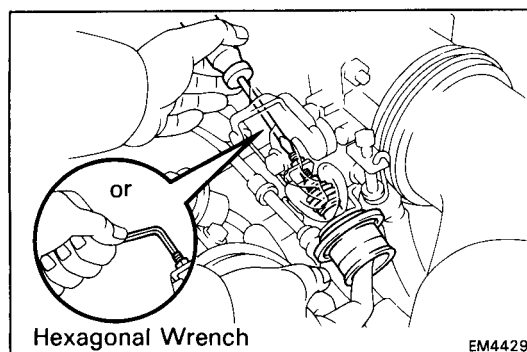
1. **WARM UP AND STOP ENGINE**  
Allow the engine to reach normal operating temperature.
2. **CHECK IDLING SPEED AND ADJUST, IF NECESSARY**
3. **REMOVE CAP, FILTER AND SEPARATER FROM DP**



4. **CHECK DP SETTING SPEED**
  - (a) Race the engine at 2,500 rpm for a few seconds.
  - (b) Plug the VTV hole with your finger.

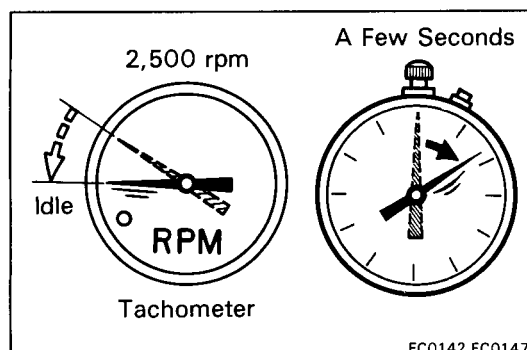


- (c) Release the throttle valve.
  - (d) Check that the DP is set.
- DP setting speed: 1,800 rpm**  
(w/ Cooling fan OFF)



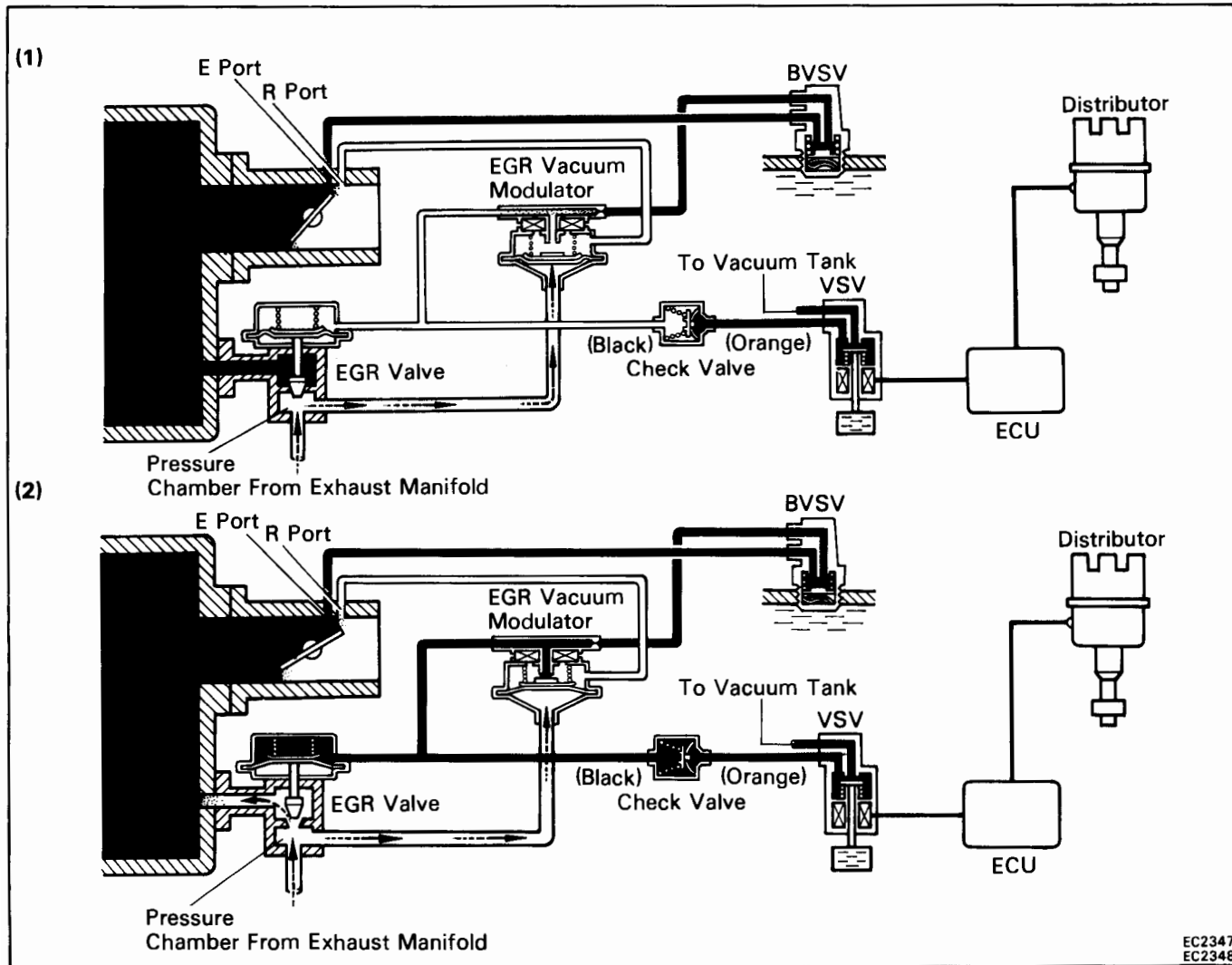
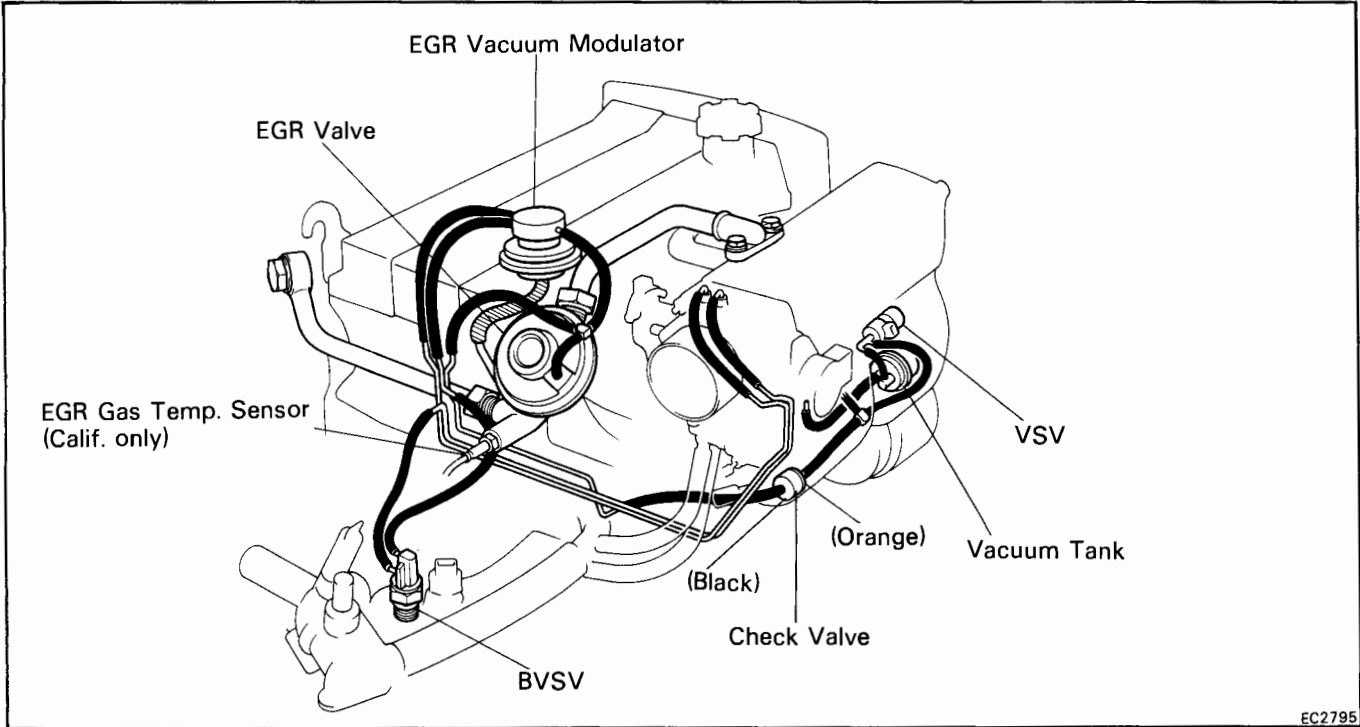
If not at specified, adjust with the DP adjusting screw.

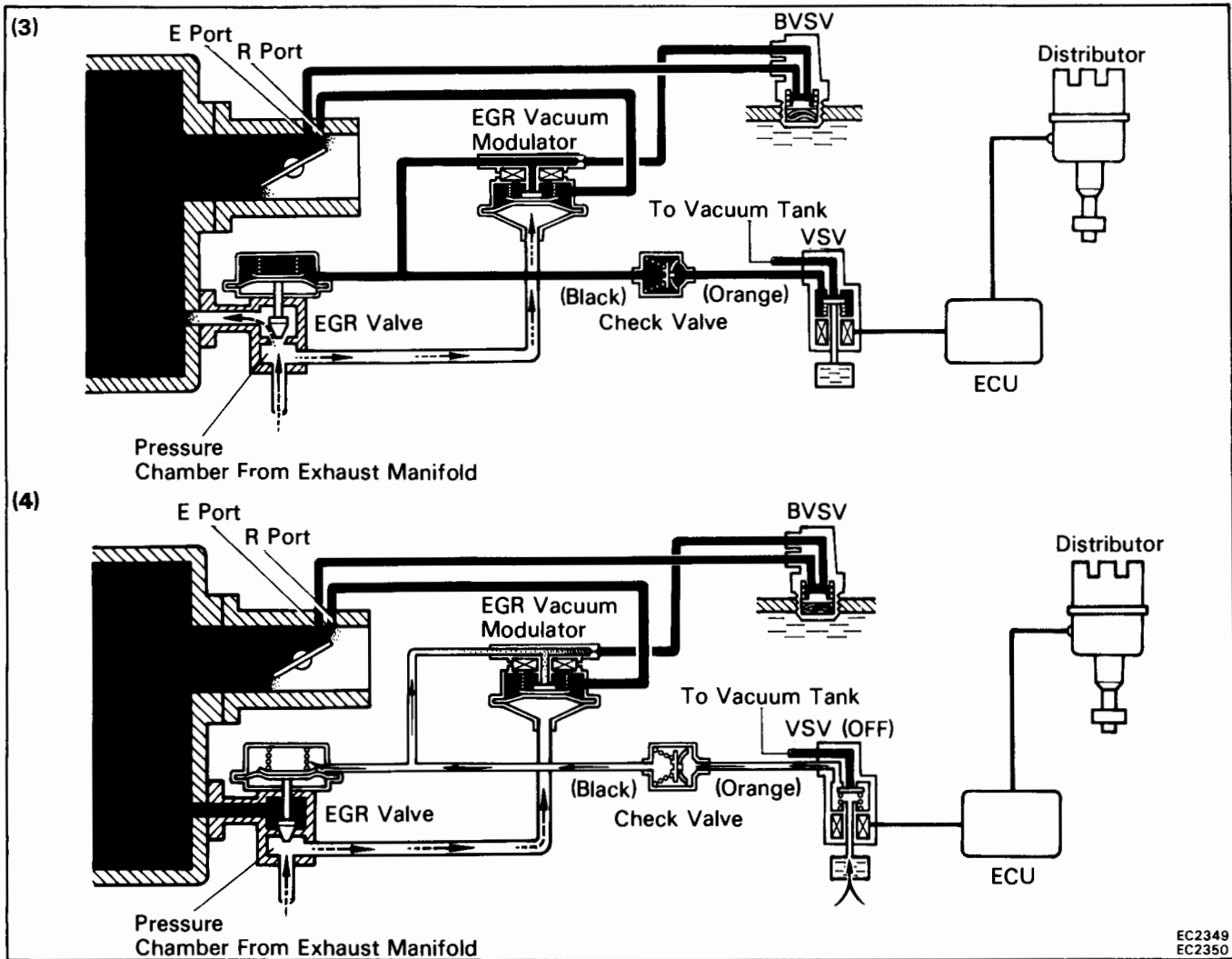
5. **REINSTALL DP SEPARATER, FILTER AND CAP**



6. **CHECK VTV OPERATION**  
Race the engine at 2,500 rpm for a few seconds, release the throttle valve and check that the engine returns to idle in a few seconds.

# EXHAUST GAS RECIRCULATION (EGR) SYSTEM (4A-GE)





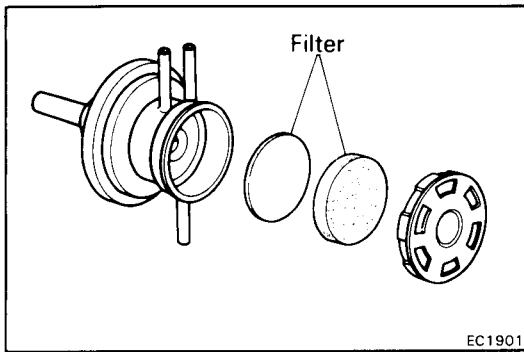
To reduce NOx emissions, part of the exhaust gases are recirculated through the EGR valve to the intake manifold to lower the maximum combustion temperature.

Coolant Temp.	BVSV	ENGINE rpm	VSV	Throttle Valve Opening Angle	Pressure in the EGR Valve Pressure Chamber	EGR Vacuum Modulator	EGR Valve	Exhaust Gas	
Below 35°C (95°F)	CLOSED	—	—	—	—	—	CLOSED	Not recirculated	
Above 54°C (129°F)	OPEN	Below 4,350 rpm	ON	Positioned below E port	—	—	CLOSED	Not recirculated	
				Positioned between E port and R port	(1) LOW	*Pressure constantly alternating between low and high	OPENS passage to atmosphere	CLOSED	Not recirculated
					(2) HIGH		CLOSES passage to atmosphere	OPEN	Recirculated
		Positioned above R port	(3) HIGH	**	CLOSES passage to atmosphere	OPEN	Recirculated (increase)		
		Above 4,350 rpm	(4) OFF	—	—	—	CLOSED	Not recirculated	

\* Pressure increase → Modulator closes → EGR valve opens → Pressure drops  
 ← EGR valve closes ← Modulator opens ←

\*\* When the throttle valve is positioned above the R port, the EGR vacuum modulator will close the atmosphere passage and open the EGR valve to increase the EGR gas, even if the exhaust pressure is insufficiently low.

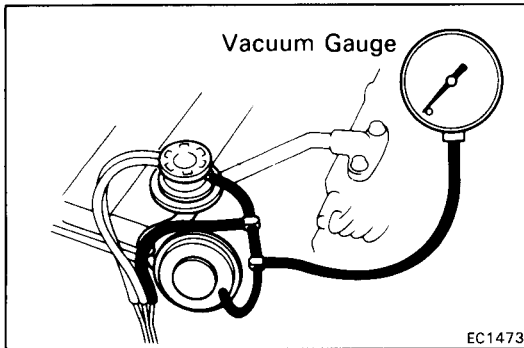




## INSPECTION OF EGR SYSTEM

### 1. CHECK AND CLEAN FILTERS IN EGR VACUUM MODULATOR

- (a) Check the filter for contamination or damage.
- (b) Using compressed air, clean the filters.

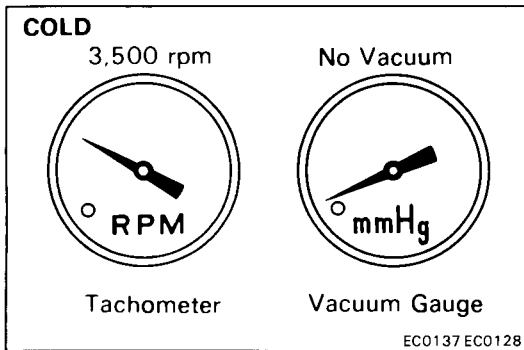


### 2. PREPARATION

Using a 3-way connector, connect a vacuum gauge to the hose between the EGR valve and EGR vacuum modulator.

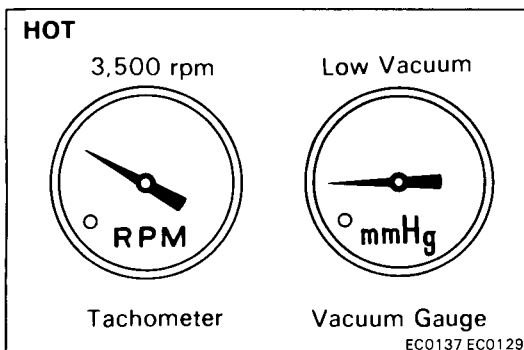
### 3. CHECK SEATING OF EGR VALVE

Start the engine and check that the engine starts and runs at idle.



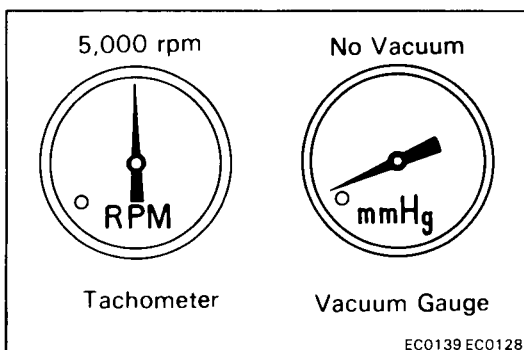
### 4. CHECK BVSV WITH COLD ENGINE

- (a) The coolant temperature should be below 35°C (95°F).
- (b) Check that the vacuum gauge indicates zero at 3,500 rpm.

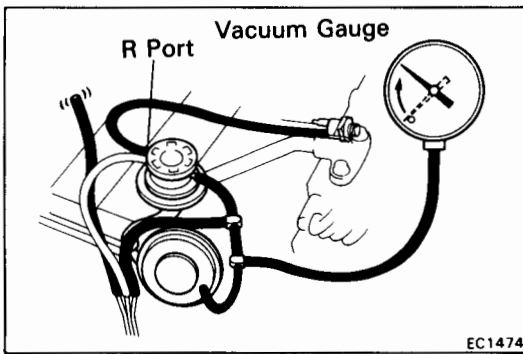


### 5. CHECK BVSV, VSV AND EGR VACUUM MODULATOR WITH HOT ENGINE

- (a) Warm up the engine.
- (b) Check that the vacuum gauge indicates low vacuum at 3,500 rpm.



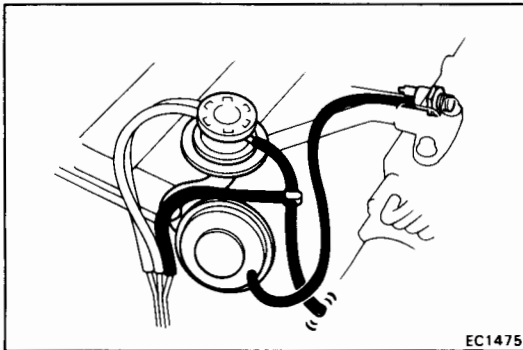
- (c) Check that the vacuum gauge indication is zero at 5,000 rpm.



- (d) Disconnect the vacuum hose from R port of the EGR vacuum modulator and connect R port directly to the intake manifold with another hose.
- (e) Check that the vacuum gauge indicates high vacuum at 3,500 rpm.

**NOTE:** As a large amount of EGR gas enters, the engine will misfire slightly.

- (f) Disconnect the vacuum gauge and reconnect the vacuum hoses to the proper locations.



## 6. CHECK EGR VALVE

- (a) Apply vacuum directly to the EGR valve with the engine idling.
- (b) Check that the engine runs rough or dies.
- (c) Reconnect the vacuum hoses to the proper location.

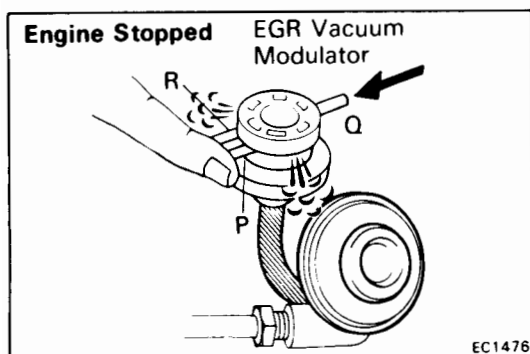
**IF NO PROBLEM IS FOUND WITH THIS INSPECTION, THE SYSTEM IS OKAY; OTHERWISE INSPECT EACH PART**

## INSPECTION OF EGR VALVE

### 1. REMOVE EGR VALVE

Check the valve for sticking and heavy carbon deposits. If a problem is found, replace it.

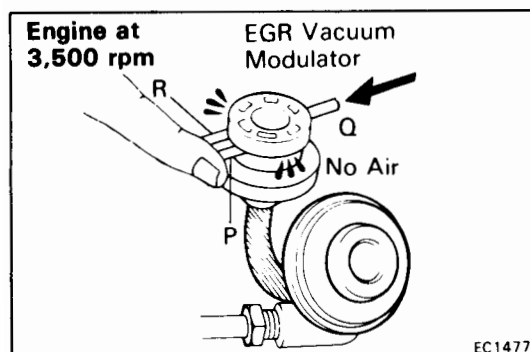
### 2. REINSTALL EGR VALVE WITH A NEW GASKET



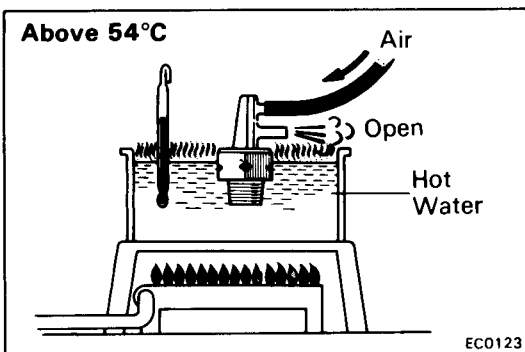
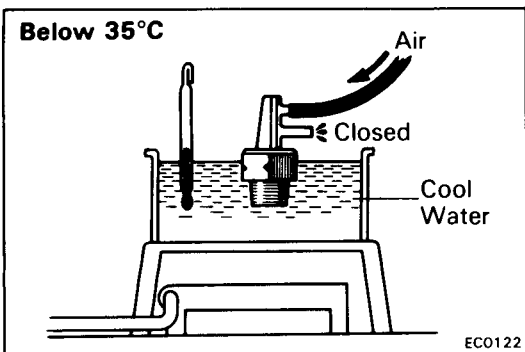
## INSPECTION OF EGR VACUUM MODULATOR

### CHECK EGR VACUUM MODULATOR OPERATION

- (a) Disconnect the vacuum hoses from ports P, Q and R of the EGR vacuum modulator.
- (b) Block ports P and R with your finger.
- (c) Blow air into port Q. Check that the air passes through to the air filter side freely.



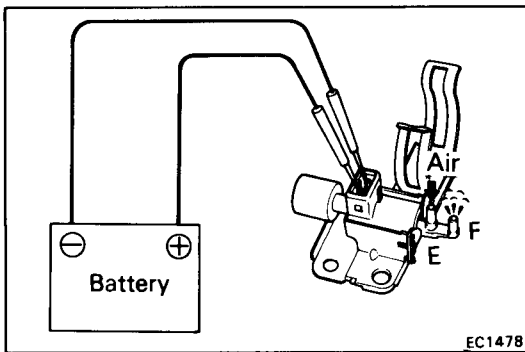
- (d) Start the engine and maintain an engine speed of 3,500 rpm.
- (e) Repeat the above test. Check that there is a strong resistance to air flow.
- (f) Reconnect the vacuum hoses to the proper locations.



## INSPECTION OF BVSV

### CHECK BVSV BY BLOWING AIR INTO PIPE

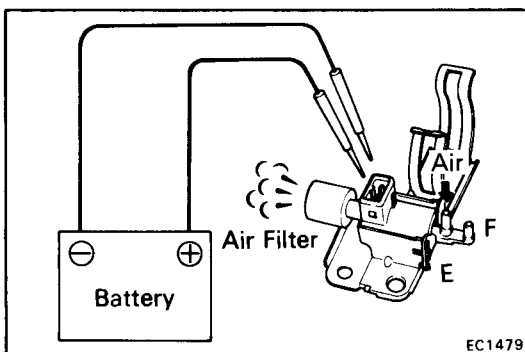
- (a) Drain the coolant from the cylinder block into a suitable container.
  - (b) Remove the BVSV.
  - (c) Cool the BVSV to below 35°C (95°F) with cool water.
  - (d) Blow air into the pipe and check that the BVSV is closed.
  - (e) Heat the BVSV to above 54°C (129°F) with hot water.
  - (f) Blow air into the pipe and check that the BVSV is open.
- If a problem is found, replace the BVSV.
- (g) Apply liquid sealer to the threads of the BVSV and reinstall.
  - (h) Fill the cylinder block with coolant.



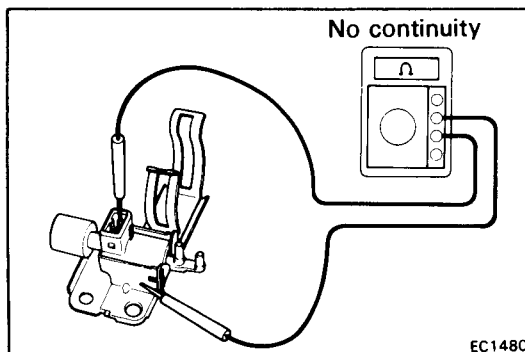
## INSPECTION OF VSV

### 1. CHECK VACUUM CIRCUIT CONTINUITY IN VSV BY BLOWING AIR INTO PIPE

- (a) Connect the VSV terminals to the battery terminals as illustrated.
- (b) Blow into pipe E and check that air comes out of pipe F.
- (c) Disconnect the battery.
- (d) Blow into pipe E and check that air comes out of air filter.



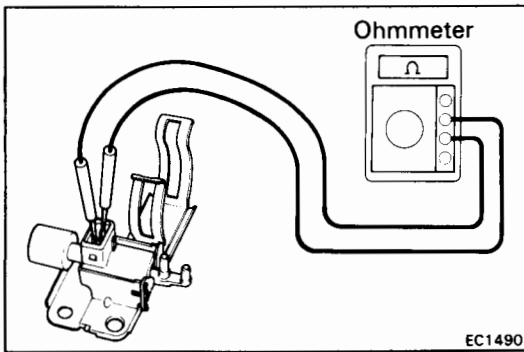
If a problem is found, repair or replace the VSV.



### 2. CHECK FOR SHORT CIRCUIT

Using an ohmmeter, check that there is no continuity between the terminal and the VSV body.

If there is continuity, replace the VSV.

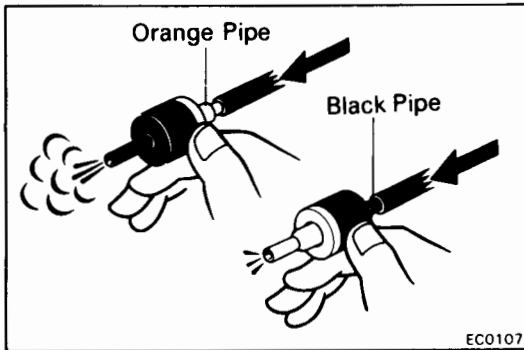


### 3. CHECK FOR OPEN CIRCUIT

Using an ohmmeter, measure the resistance between the terminals as shown.

**Specified resistance: 33 – 39 Ω at 20°C (68°F)**

If resistance is not within specification, replace the VSV.



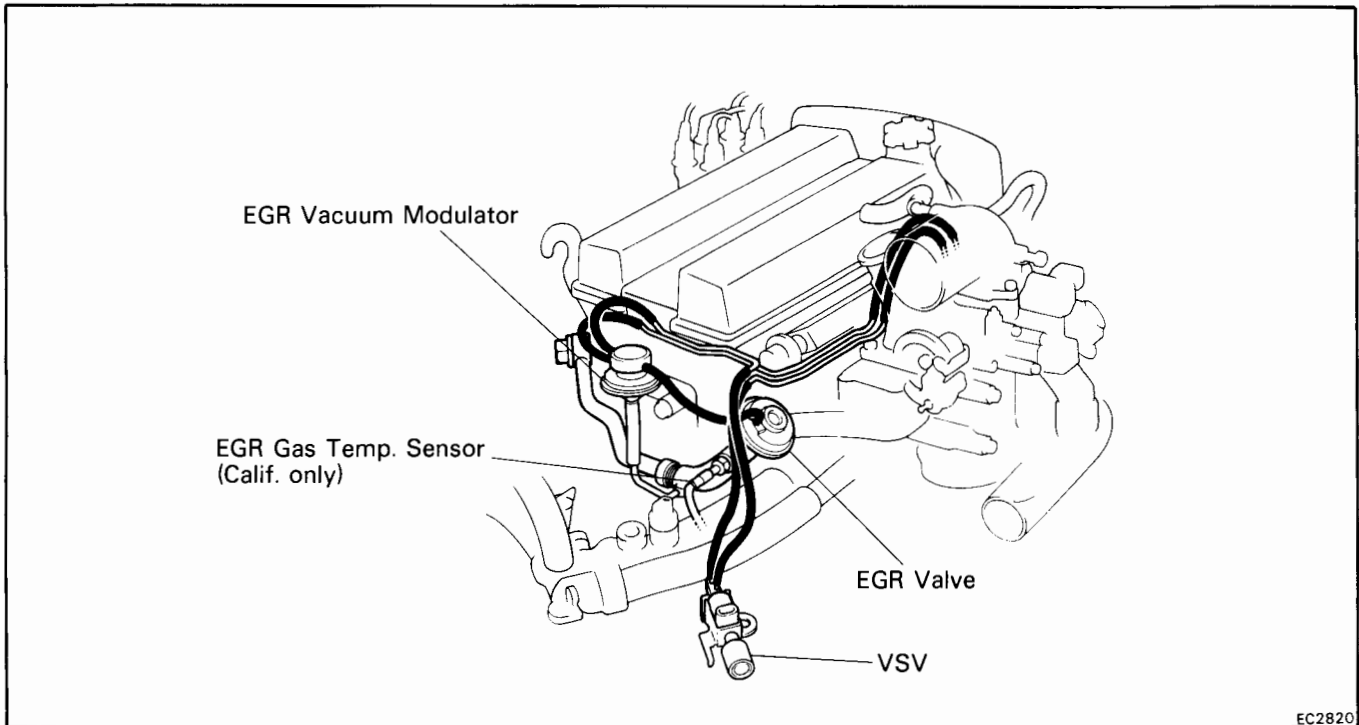
### INSPECTION OF CHECK VALVE

#### CHECK VALVE BY BLOWING AIR INTO EACH PIPE

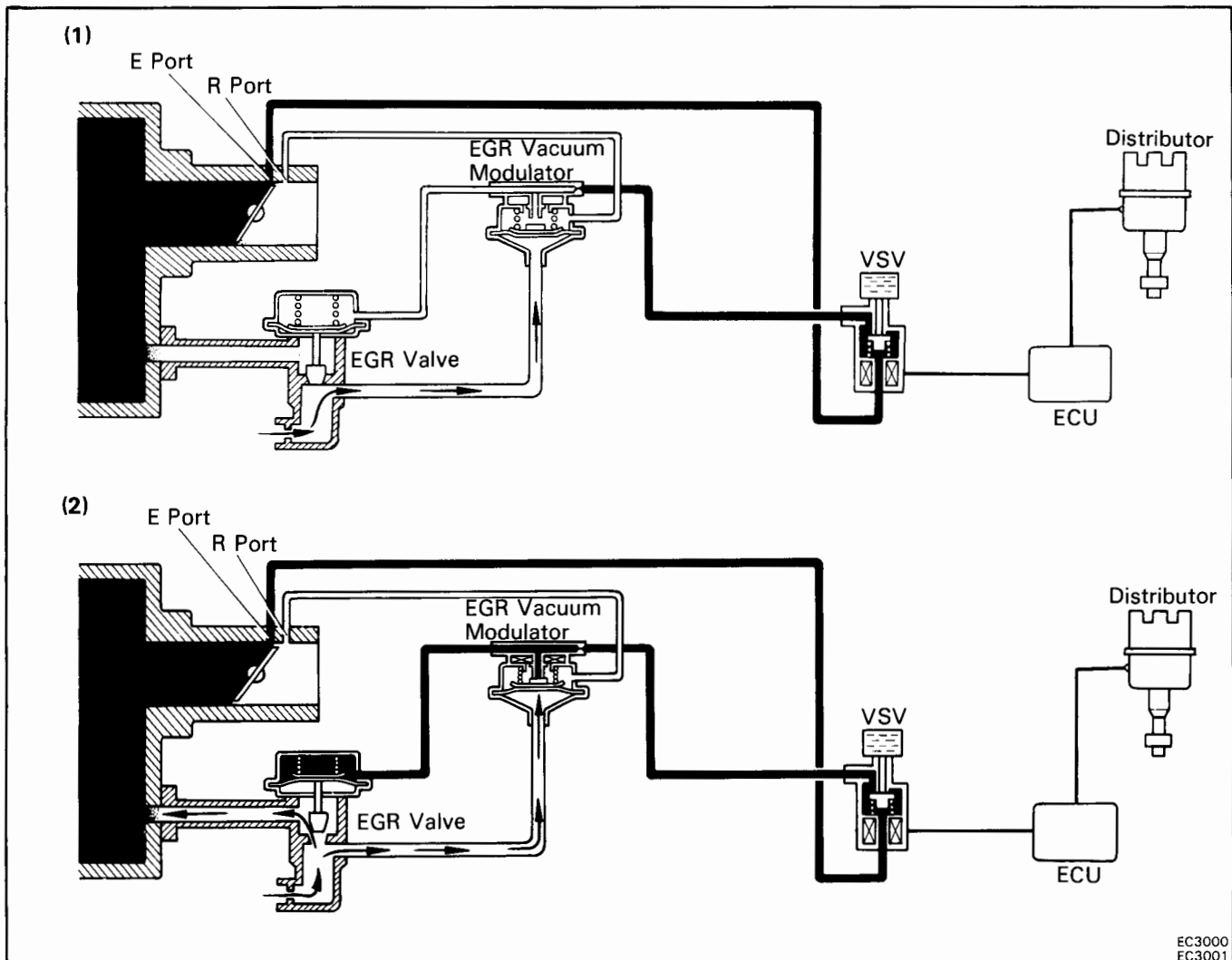
- (a) Check that air flows from the orange pipe to the black pipe.
- (b) Check that air does not flow from the black pipe to the orange pipe.

If a problem is found, replace the check valve.

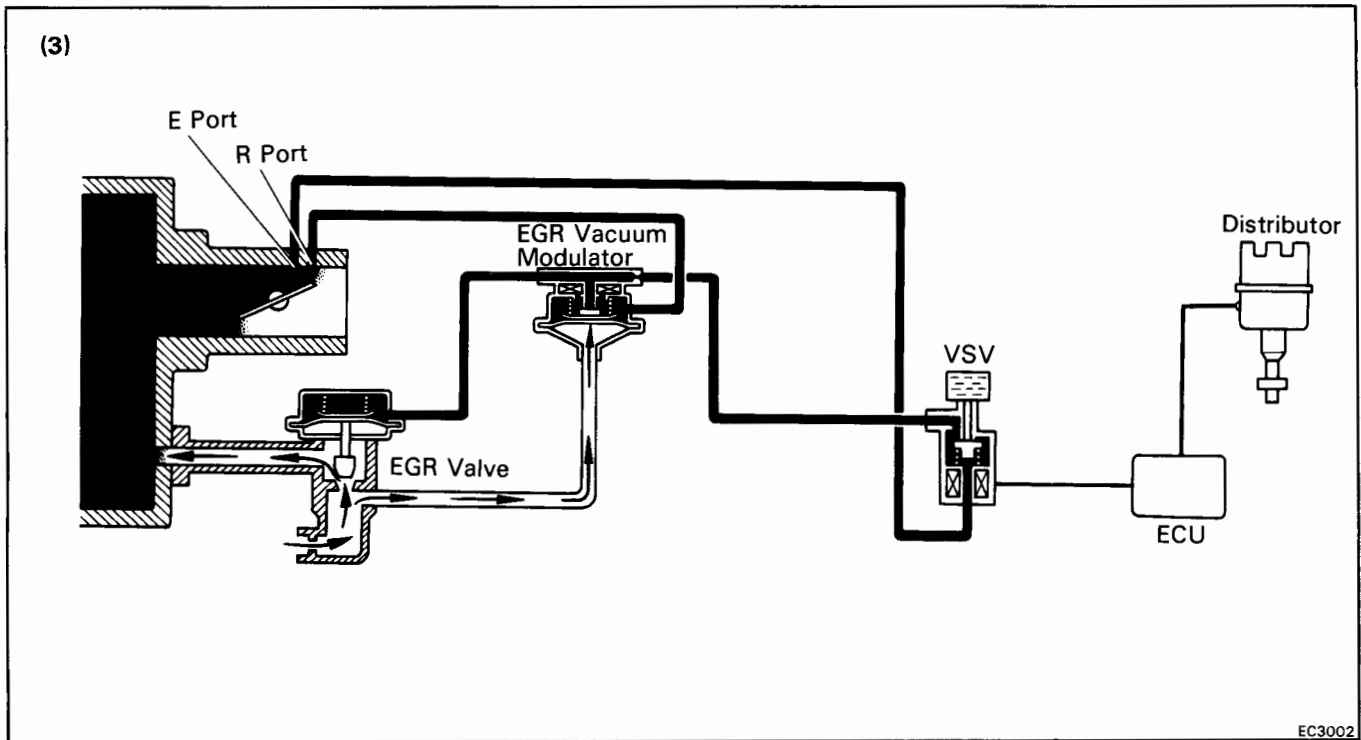
# EXHAUST GAS RECIRCULATION (EGR) SYSTEM (4A-GZE)



EC2820



EC3000  
EC3001

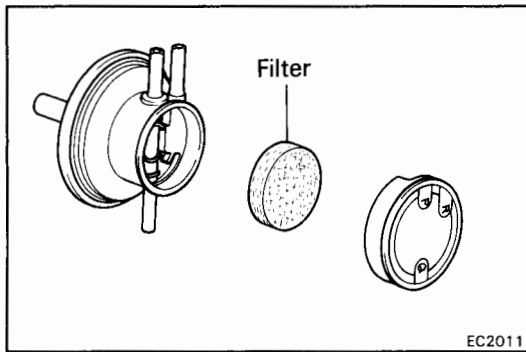


To reduce NOx emissions, part of the exhaust gases are recirculated through the EGR valve to the intake manifold to lower the maximum combustion temperature.

Coolant Temp.	Engine RPM	Intake Air Volume	VSV	Throttle Valve Opening Angle	Pressure in the EGR Valve Pressure Chamber	EGR Vacuum Modulator	EGR Valve	Exhaust Gas
M/T Below 44°C (111°F)	—	—	OFF	—	—	—	CLOSED	Not recirculated
A/T Below 35°C (95°F)	—	—	OFF	—	—	—	CLOSED	Not recirculated
M/T Above 50°C (122°F)	Above 4,200 rpm	—	OFF	—	—	—	CLOSED	Not recirculated
	Blow 3,800 rpm	LOW	OFF	—	—	—	CLOSED	Not recirculated
		HIGH	ON	Positioned below E port	—	—	CLOSED	Not recirculated
A/T Above 40°C (104°F)	HIGH	Positioned between E port and R port		(1) LOW	*Pressure constantly alternating between low and high	OPENS passage to atmosphere	CLOSED	Not recirculated
				(2) HIGH		CLOSES passage to atmosphere	OPEN	Recirculated
			Positioned above R port	(3) HIGH	**	CLOSES passage to atmosphere	OPEN	Recirculated (increase)

\* Pressure increase → Modulator closes → EGR valve opens → Pressure drops  
 ← EGR valve closes ← Modulator opens ←

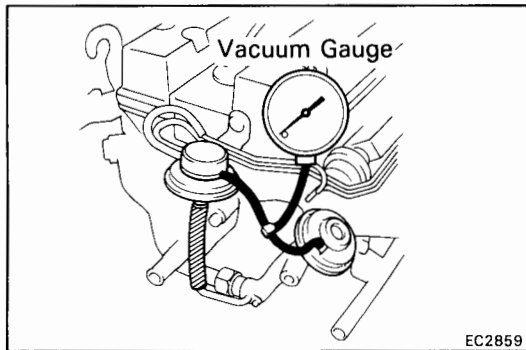
\*\* When the throttle valve is positioned above the R port, the EGR vacuum modulator will close the atmosphere passage and open the EGR valve to increase the EGR gas, even if the exhaust pressure is insufficiently low.



## INSPECTION OF EGR SYSTEM

### 1. CHECK AND CLEAN FILTER IN EGR VACUUM MODULATOR

- (a) Check the filter for contamination or damage.
- (b) Using compressed air, clean the filter.

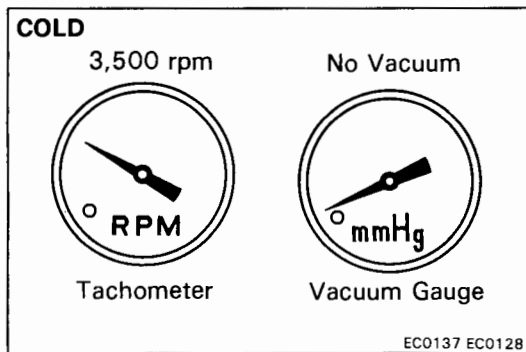


### 2. PREPARATION

Using a 3-way connector, connect a vacuum gauge to the hose between the EGR valve and EGR vacuum modulator.

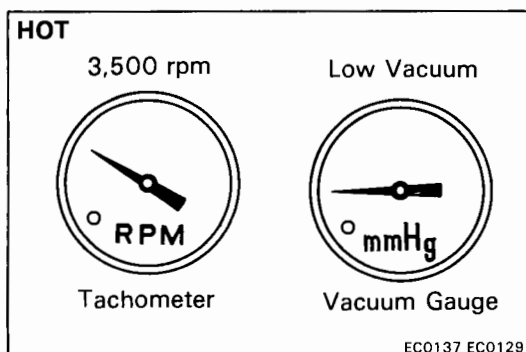
### 3. CHECK SEATING OF EGR VALVE

Start the engine and check that the engine starts and runs at idle.



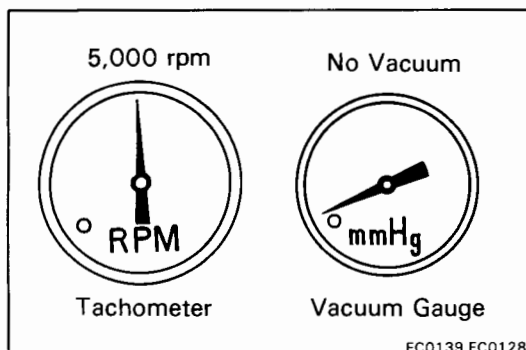
### 4. CHECK VSV WITH COLD ENGINE

- (a) (M/T)  
The coolant temperature should be below 44°C (111°F).
- (b) (A/T)  
The coolant temperature should be below 35°C (95°F).
- (c) Check that the vacuum gauge indicates zero at 3,500 rpm.

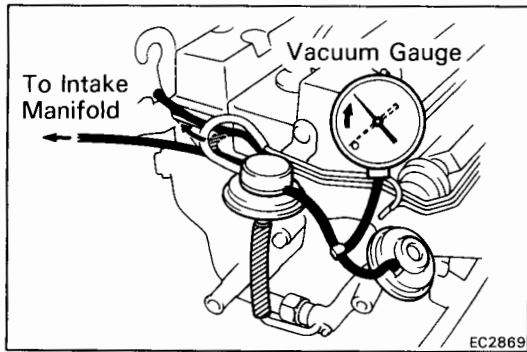


### 5. CHECK VSV AND EGR VACUUM MODULATOR WITH HOT ENGINE

- (a) Warm up the engine.
- (b) Check that the vacuum gauge indicates low vacuum at 3,500 rpm.



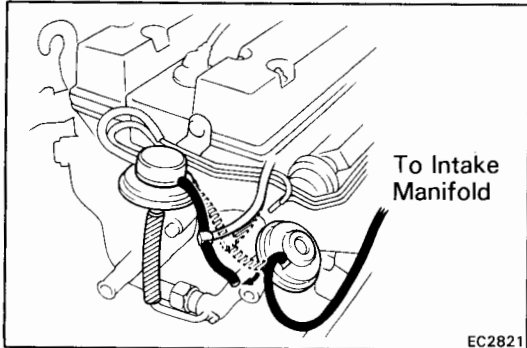
- (c) Check that the vacuum gauge indication is zero at 5,000 rpm.



- (d) Disconnect the vacuum hose from R port of the EGR vacuum modulator and connect R port directly to the intake manifold with another hose.
- (e) Check that the vacuum gauge indicates high vacuum at 3,500 rpm.

NOTE: As a large amount of EGR gas enters, the engine will misfire slightly.

- (f) Disconnect the vacuum gauge and reconnect the vacuum hoses to the proper locations.



#### 6. CHECK EGR VALVE

- (a) Apply vacuum directly to the EGR valve with the engine idling.
- (b) Check that the engine runs rough or dies.
- (c) Reconnect the vacuum hoses to the proper location.

**IF NO PROBLEM IS FOUND WITH THIS INSPECTION, THE SYSTEM IS OKAY; OTHERWISE INSPECT EACH PART**

### INSPECTION OF EGR VALVE

#### 1. REMOVE EGR VALVE

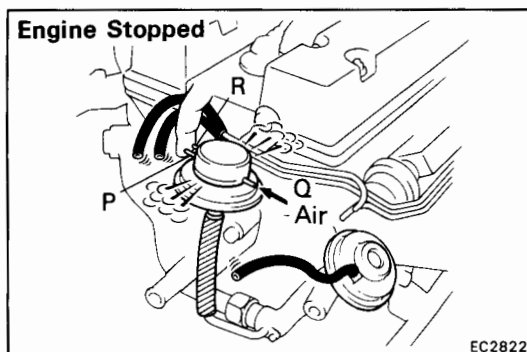
Check the valve for sticking and heavy carbon deposits. If a problem is found, replace it.

#### 2. REINSTALL EGR VALVE WITH A NEW GASKET

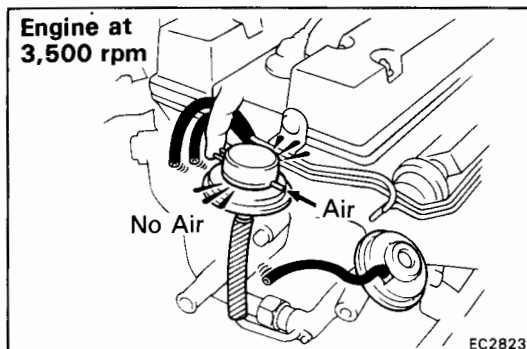
### INSPECTION OF EGR VACUUM MODULATOR

#### CHECK EGR VACUUM MODULATOR OPERATION

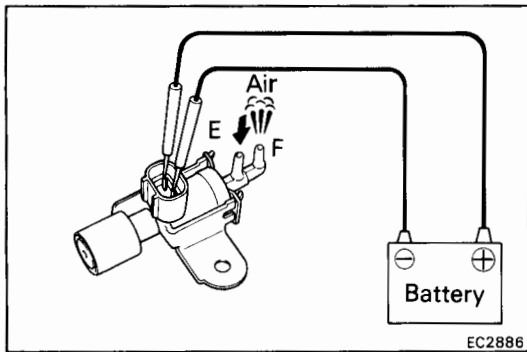
- (a) Disconnect the vacuum hoses from ports P, Q and R of the EGR vacuum modulator.
- (b) Block ports P and R with your finger.
- (c) Blow air into port Q. Check that the air passes through to the air filter side freely.



- (d) Start the engine and maintain an engine speed of 3,500 rpm.
- (e) Repeat the above test. Check that there is a strong resistance to air flow.
- (f) Reconnect the vacuum hoses to the proper locations.







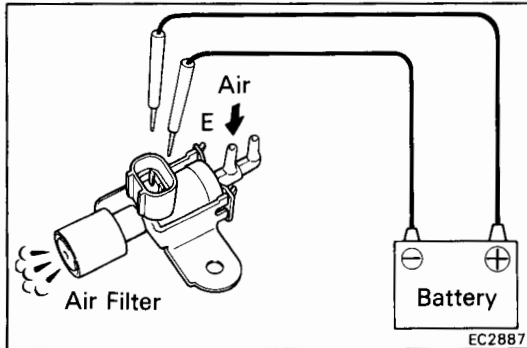
## INSPECTION OF VSV

### 1. CHECK VACUUM CIRCUIT CONTINUITY IN VSV BY BLOWING AIR INTO PIPE

- (a) Connect the VSV terminals to the battery terminals as illustrated.
- (b) Blow into pipe E and check that air comes out of pipe F.

- (c) Disconnect the battery.
- (d) Blow into pipe E and check that air comes out of air filter.

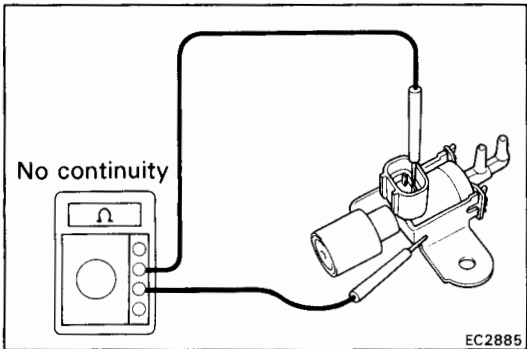
If a problem is found, repair or replace the VSV.



### 2. CHECK FOR SHORT CIRCUIT

Using an ohmmeter, check that there is no continuity between the terminal and the VSV body.

If there is continuity, replace the VSV.

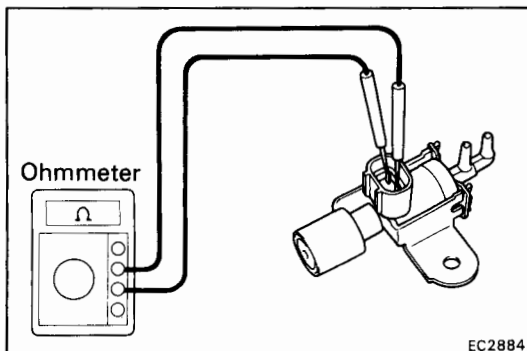


### 3. CHECK FOR OPEN CIRCUIT

Using an ohmmeter, measure the resistance between the terminals as shown.

**Specified resistance: 33 – 39  $\Omega$  at 20°C (68°F)**

If resistance is not within specification, replace the VSV.



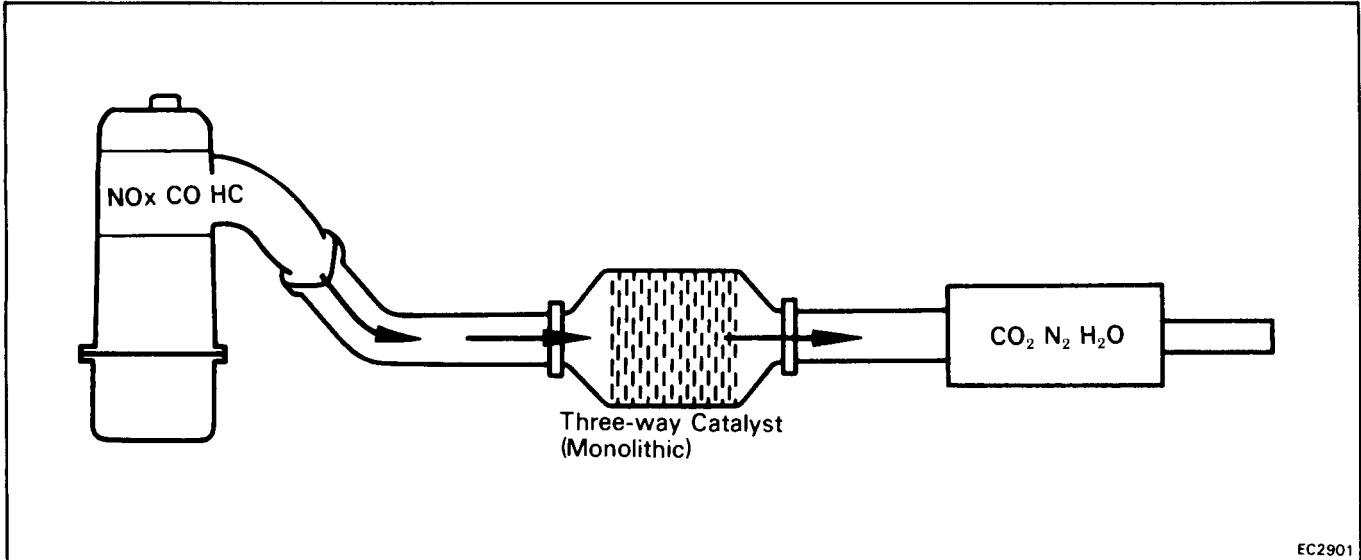
## INSPECTION OF WATER TEMPERATURE SENSOR

(See page FI-116)

## INSPECTION OF AIR FLOW METER

(See page FI-94)

# THREE-WAY CATALYST (TWC) SYSTEM



EC2901

To reduce HC, CO and NO<sub>x</sub> emissions, they are oxidized, reduced and converted to nitrogen (N<sub>2</sub>), carbon dioxide (CO<sub>2</sub>) and water (H<sub>2</sub>O) by the catalyst.

Exhaust port		TWC		Exhaust Gas
HC, CO, AND NO <sub>x</sub>	→	OXIDATION AND REDUCTION	→	CO <sub>2</sub> H <sub>2</sub> O N <sub>2</sub>

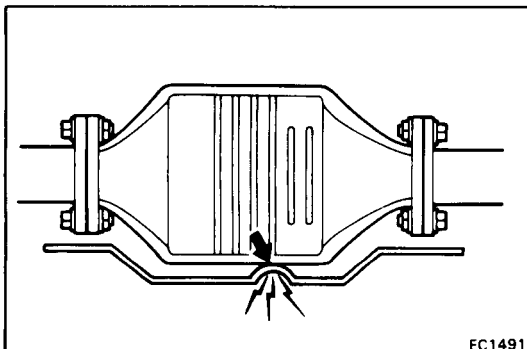
## INSPECTION OF EXHAUST PIPE ASSEMBLY

1. CHECK CONNECTIONS FOR LOOSENESS OR DAMAGE
2. CHECK CLAMPS FOR WEAKNESS, CRACKS OR DAMAGE

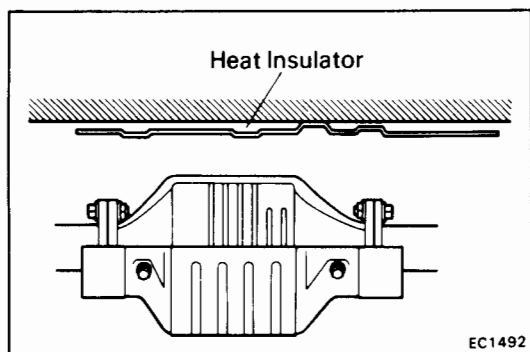
## INSPECTION OF CATALYTIC CONVERTER

### CHECK FOR DENTS OR DAMAGE

If any part of protector is damaged or dented to the extent that it contacts the catalyst, repair or replace.

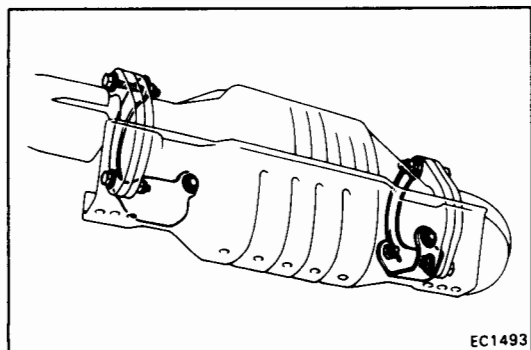


EC1491



## INSPECTION OF HEAT INSULATOR

1. CHECK HEAT INSULATOR FOR DAMAGE
2. CHECK FOR ADEQUATE CLEARANCE BETWEEN CATALYTIC CONVERTER AND HEAT INSULATOR



## REPLACEMENT OF CATALYTIC CONVERTER

1. REMOVE CONVERTER
  - (a) Jack up the vehicle.
  - (b) Check that the converter is cool.
  - (c) Remove the converter protector.
  - (d) Remove the bolts at the front and rear of the converter.
  - (e) Remove the converter and gaskets.
2. INSTALL CONVERTER
  - (a) Place new gaskets on the front and rear exhaust pipes, and connect the converter to the exhaust pipes.
  - (b) Install the converter protector.
  - (c) Tighten the bolts.

**Torque: Catalyst — Exhaust pipe**  
**440 kg-cm (32 ft-lb, 43 N·m)**  
**Protector — Bracket**  
**195 kg-cm (14 ft-lb, 19 N·m)**

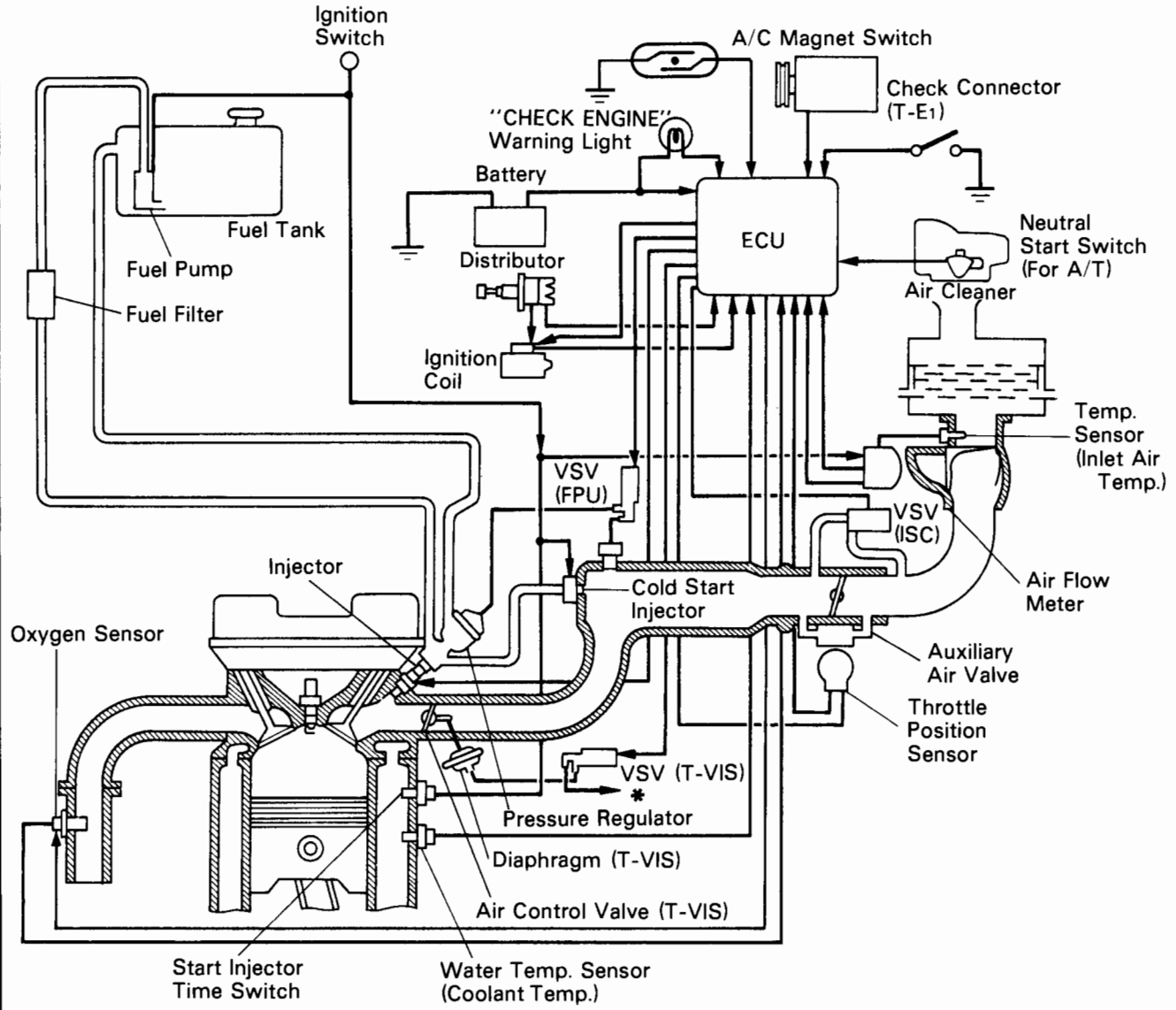
  - (d) Reinstall the bracket bolts and tighten them.

# EFI SYSTEM

	Page
DESCRIPTION .....	FI-2
PRECAUTIONS .....	FI-5
INSPECTION PRECAUTIONS .....	FI-5
TROUBLESHOOTING .....	FI-9
DIAGNOSIS SYSTEM .....	FI-21
TROUBLESHOOTING WITH VOLT/ OHMMETER (4A-GE) .....	FI-29
TROUBLESHOOTING WITH VOLT/ OHMMETER (4A-GZE) .....	FI-31
TROUBLESHOOTING EFI ELECTRONIC CIRCUIT WITH VOLT/OHMMETER (4A-GE) ...	FI-33
TROUBLESHOOTING EFI ELECTRONIC CIRCUIT WITH VOLT/OHMMETER (4A-GZE) ..	FI-48
FUEL SYSTEM .....	FI-64
Fuel Pump .....	FI-64
Cold Start Injector .....	FI-73
Pressure Regulator (4A-GE) .....	FI-78
Pressure Regulator (4A-GZE) .....	FI-79
Injector .....	FI-80
Fuel Tank and Line .....	FI-93
AIR INDUCTION SYSTEM .....	FI-94
Air Flow Meter .....	FI-94
Throttle Body .....	FI-97
Idle Speed Control (ISC) Valve (4A-GZE) .....	FI-106
Auxiliary Air Valve (4A-GE) .....	FI-108
ELECTRONIC CONTROL SYSTEM .....	FI-109
Location of Electronic Control Parts .....	FI-109
EFI Main Relay .....	FI-110
Circuit Opening Relay .....	FI-111
Solenoid Resistor (4A-GZE) and Injector Relay	FI-113
Start Injector Time Switch .....	FI-115
Water Temperature Sensor .....	FI-116
EGR Gas Temperature Sensor (For California) .	FI-117
High Temperature Line Pressure Up System .....	FI-118
Idle-up System .....	FI-119
Oxygen Sensor .....	FI-120
Electronic Controlled Unit (ECU) .....	FI-123
Fuel Cut RPM .....	FI-128

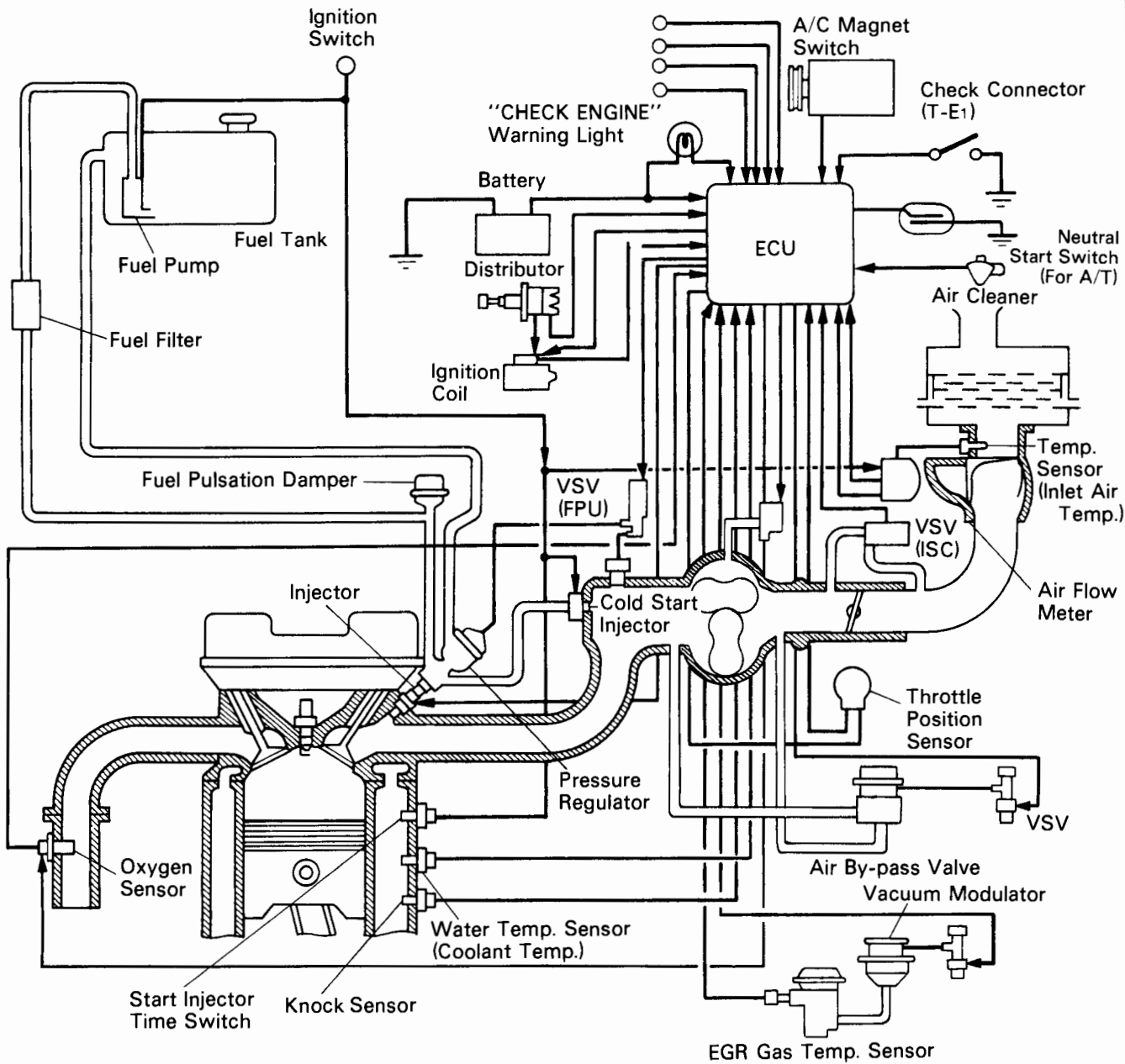
# DESCRIPTION

4A-GE



\*: To Vacuum Reservoir Tank

4A-GZE



\* : To Vacuum Reservoir Tank

The EFI system is composed of 3 basic sub-systems; Fuel Induction, Air Induction and Electronic Control.

## FUEL SYSTEM

An electric fuel pump supplies sufficient fuel, under a constant pressure, to the injectors. These injectors inject a metered quantity of fuel into the intake manifold in accordance with signals from the ECU (Electronic Control Unit).

## AIR INDUCTION SYSTEM

The air induction system provides sufficient air for engine operation.

## ELECTRONIC CONTROL SYSTEM

The 4A-GE and 4A-GZE engine is equipped with a Toyota Computer Control System (TCCS) which centrally controls the EFI, ESA, Diagnosis systems, etc. by means of an Electronic Control Unit (ECU – formerly EFI computer) employing a microcomputer.

By the ECU, the TCCS controls the following functions:

### 1. Electronic Fuel Injection (EFI)

The ECU receives signals from various sensors indicating changing engine operating conditions such as:

- Intake air volume
- Intake air temperature
- Coolant temperature
- Engine rpm
- Acceleration/deceleration
- Exhaust oxygen content etc,

These signals are utilized by the ECU to determine the injection duration necessary for an optimum air-fuel ratio.

### 2. Electronic Spark Advance (ESA)

The ECU is programmed with data for optimum ignition timing under any and all operating conditions. Using data provided by sensors which monitor various engine functions (rpm, A/C signal, coolant temperature, etc.), the microcomputer (ECU) triggers the spark at precisely the right instant. (See IG section)

### 3. Diagnosis

The ECU detects any malfunctions or abnormalities in the sensor network and lights a "CHECK ENGINE" warning light on the instrument panel. At the same time, the trouble is identified and a diagnostic code is recorded by the ECU. The diagnostic code can be read by the number of blinks of the "CHECK ENGINE" warning light when terminals T and E<sub>1</sub> are short-circuited. There are 13 (Calif.) or 14 (Ex. Calif.) different diagnostic codes, including "normal operation."  
(See pages FI-24 to 27)

### 4. Fail-Safe Function

In the event of a sensor malfunction, a back-up circuit will take over to provide minimal drivability. Simultaneously the "CHECK ENGINE" warning light is activated.

## PRECAUTIONS

1. Before working on the fuel system, disconnect the negative terminal from the battery.

NOTE: Any diagnosis code retained by the computer will be erased when the battery terminal is removed. Therefore read the diagnosis before removing the battery terminal.

2. Do not smoke or work near an open flame when working on the fuel system.
3. Keep gasoline off rubber or leather parts.

## INSPECTION PRECAUTIONS

### MAINTENANCE PRECAUTIONS

1. INSURE CORRECT ENGINE TUNE-UP

2. PRECAUTIONS WHEN CONNECTING GAUGE

- (a) Connect the tachometer (+) terminal to the ignition coil (-) terminal.
- (b) Use the battery as the power source for the timing light, tachometer, etc.

3. IN EVENT OF ENGINE MISFIRE THE FOLLOWING PRECAUTIONS SHOULD BE TAKEN

- (a) Insure proper connection of battery terminals, etc.
- (b) Handle high-tension cords carefully.
- (c) After repair work, insure that the ignition coil terminals and all other ignition system lines are reconnected securely.

When cleaning the engine compartment, be especially careful to protect the electrical system from water.

4. PRECAUTIONS WHEN HANDLING OXYGEN SENSOR

- (a) Do not allow oxygen sensor to drop or hit against an object.
- (b) Do not allow water to come into contact with the sensor or attempt to cool it.

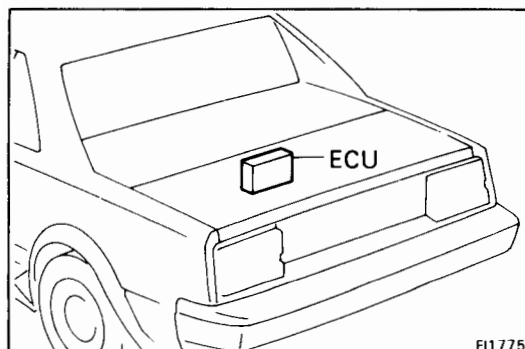
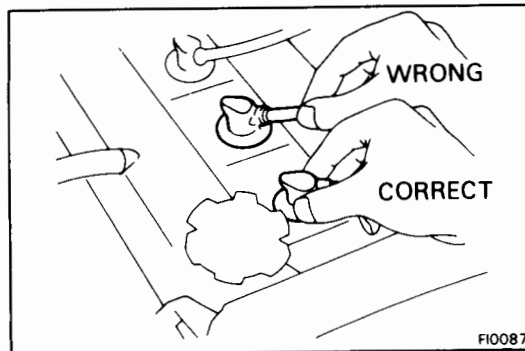
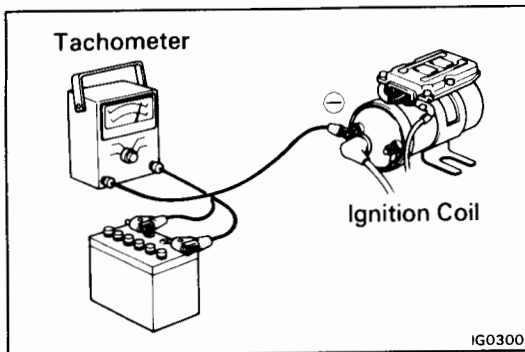
## IF CAR IS EQUIPPED WITH MOBILE RADIO SYSTEM (HAM, CB, ETC.)

The ECU has been designed so that it will not be affected by outside interference.

However, if your vehicle is equipped with a CB radio transceiver, etc., (even one with about 10 W output), it may, at times, have an affect upon ECU operation, especially if the antenna and feeder are installed nearby.

Therefore, observe the following precautions:

- (a) Install the antenna as far as possible from the ECU. The ECU is located at the trunk center, so the antenna should be installed on the front or rear side of the vehicle.
- (b) Keep the antenna feeder as far away as possible from the ECU wires—at least 20 cm (7.87 in.), and do not wind them together.

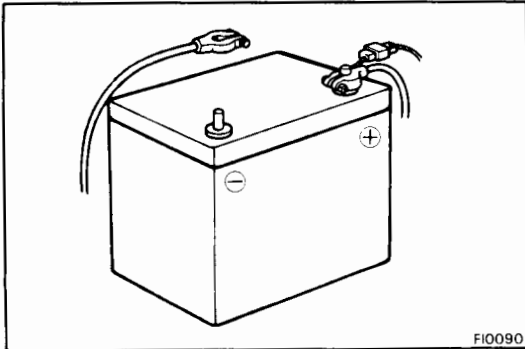




- (c) Insure that the feeder and antenna are properly adjusted.
- (d) Do not equip your vehicle with a powerful mobile radio system.

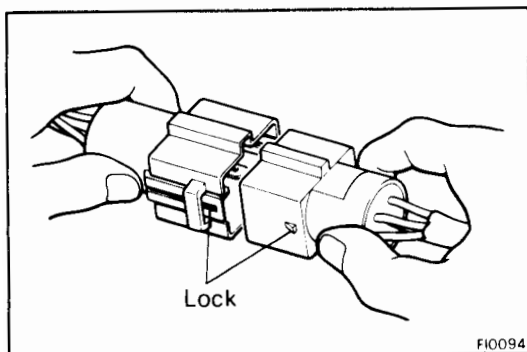
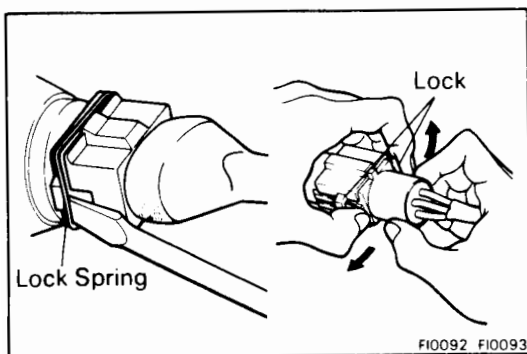
## AIR INDUCTION SYSTEM

1. Make sure that the oil dipstick, oil filler cap, PCV hose, etc., are all securely fitted, otherwise the engine may run out of tune.
2. Disconnection, looseness or cracks in the parts of the air intake system between the air flow meter and cylinder head will allow air suction and cause the engine to run out of tune.

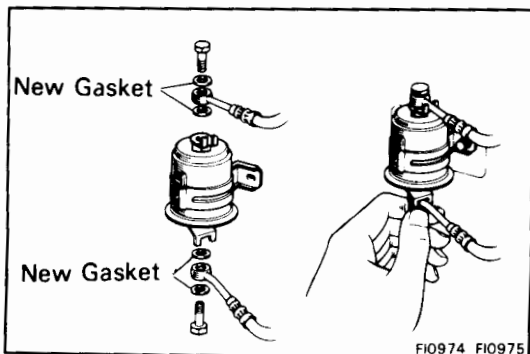
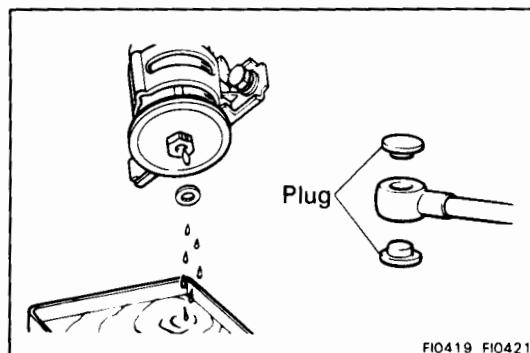
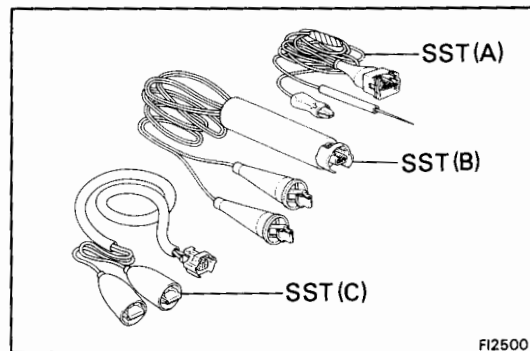
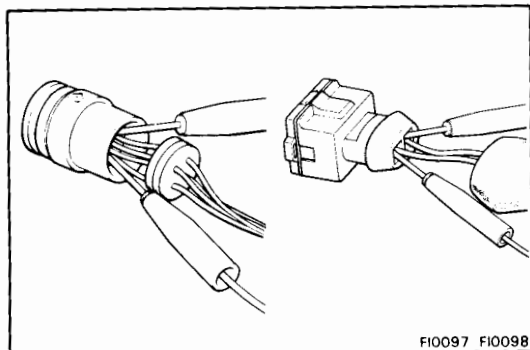
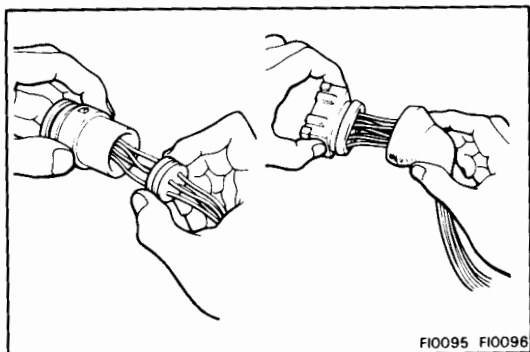


## ELECTRONIC CONTROL SYSTEM

1. Before removing EFI wiring connectors, terminals, etc., first disconnect the power by either turning OFF the ignition switch or disconnecting the battery terminals.
2. When installing a battery, be especially careful not to incorrectly connect the positive and negative cables.
3. Do not permit parts to receive a severe impact during removal or installation. Handle all EFI parts carefully, especially the ECU.
4. Do not be careless during troubleshooting as there are numerous transistor circuits and even slight terminal contact can cause further troubles.
5. Do not open the ECU cover.
6. When inspecting during rainy weather, take care to prevent entry of water. Also, when washing the engine compartment, prevent water from getting on the EFI parts and wiring connectors.
7. Parts should be replaced as an assembly.
8. Care is required when pulling out and inserting wiring connectors.
  - (a) Release the lock and pull out the connector, pulling on the connectors.



- (b) Fully insert the connector and insure that it is locked.

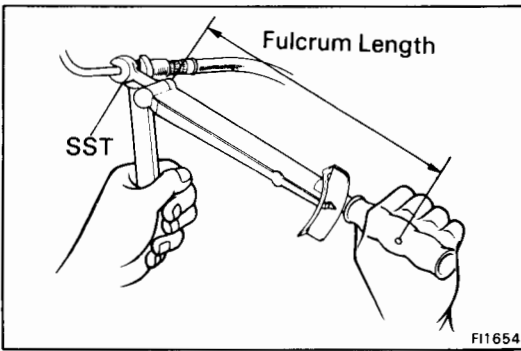


9. When inspecting a connector with a circuit tester.
  - (a) Carefully take out the water-proofing rubber if it is a water-proof type connector.
  - (b) Insert the tester probe into the connector from the wiring side when checking the continuity, amperage or voltage.
  - (c) Do not apply unnecessary force to the terminal.
  - (d) After checking, install the water-proofing rubber on the connector securely.
  
10. Use SST for inspection or test of the injector, cold start injector or its wiring connector.  
 SST 09842-30050(A), 09842-30060(B) (4A-GZE) and 09842-30070(C) (4A-GE)

## FUEL SYSTEM

1. When disconnecting the high fuel pressure line, a large amount of gasoline will spill out so observe the following procedure.
  - (a) Put a container under the connection.
  - (b) Slowly loosen the connection.
  - (c) Disconnect the connection.
  - (d) Plug the connection with a rubber plug.
  
2. When connecting the flare nut or union bolt on the high pressure pipe union, observe the following procedure: (Union bolt type)
  - (a) Always use a new gasket.
  - (b) First tighten the union bolt by hand.
  - (c) Then tighten the bolt to the specified torque.

**Torque: 300 kg-cm (22 ft-lb, 29 N·m)**

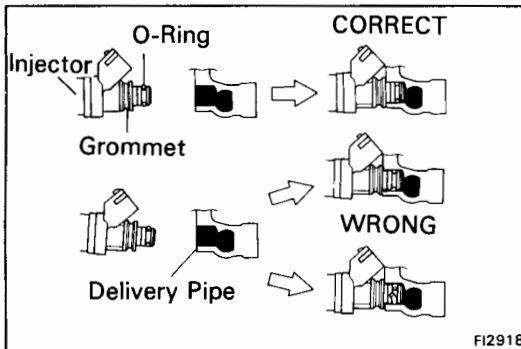


(Flare nut type)

- (a) Apply a thin coat of oil to the flare and tighten the flare nut.
- (b) Then using SST, tighten the nut to the specified torque.

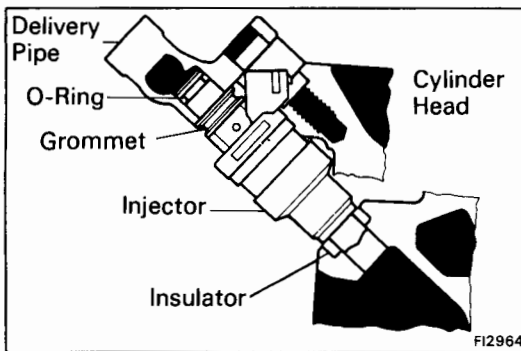
**Torque: 310 kg-cm (22 ft-lb, 30 N-m)**

**NOTE:** Use a torque wrench with a fulcrum length of 30 cm (11.81 in.)

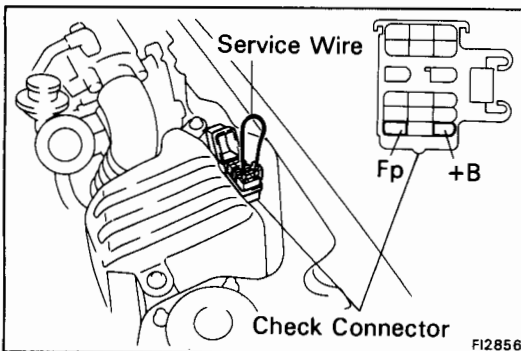


3. Observe the following precautions when removing and installing the injectors.

- (a) Never reuse an O-ring.
- (b) When placing an O-ring on the injector, use care not to damage it in any way.
- (c) Lubricate the O-ring with spindle oil or gasoline before installing – never use engine, gear or brake oil.



4. Install the injector to the delivery pipe and cylinder head as shown in the figure.



5. Confirm that there are no fuel leaks after performing any maintenance on the fuel system.

- (a) With engine stopped, turn the ignition switch to ON.
- (b) Short circuit the fuel pump check terminals (Fp – +B) in the check connector.

**NOTE:** The check connector is located near the resonator (4A-GE) or intercooler (4A-GZE).

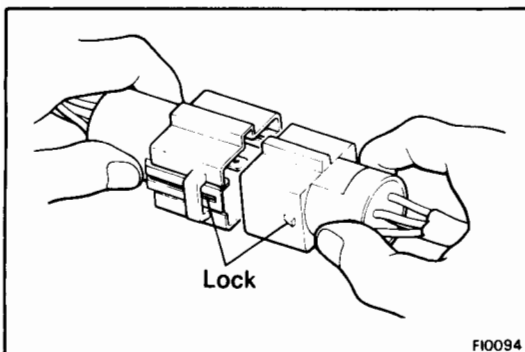
- (c) When the fuel return hose is pinched, the pressure within the high pressure line will rise to about 4 kg/cm<sup>2</sup> (57 psi, 392 kPa). In this state, check to see that there are no leaks from any part of the fuel system.

**CAUTION:** Always pinch the hose. Avoid bending as it may cause the hose to crack.

# TROUBLESHOOTING

## TROUBLESHOOTING HINTS

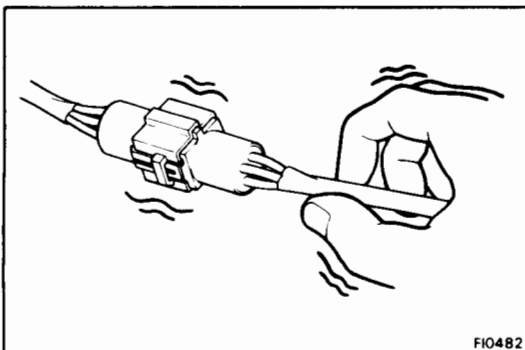
1. Engine troubles are usually not caused by the EFI system. When troubleshooting, always first check the condition of the other systems.
  - (a) Electronic source
    - Battery
    - Fusible links
    - Fuses
  - (b) Body ground
  - (c) Fuel supply
    - Fuel leakage
    - Fuel filter
    - Fuel pump
  - (d) Ignition system
    - Spark plugs
    - High-tension cords
    - Distributor
    - Igniter and ignition coil
  - (e) Air induction system
    - Vacuum leaks
  - (f) Others
    - Ignition timing (ESA system)
    - Idle speed
    - etc.



2. The most frequent cause of problems is simply a bad contact in wiring connectors. Always make sure that connections are secure.

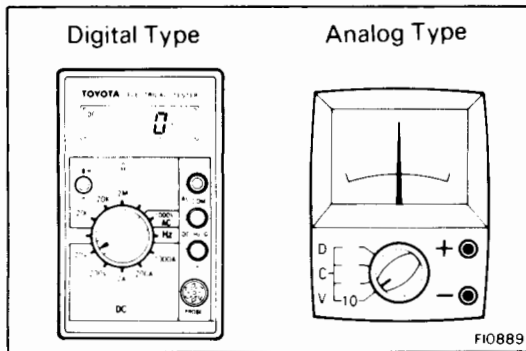
When inspecting the connector, pay particular attention to the following points:

- (a) Check to see that the terminals are not bent.
- (b) Check to see that the connector is pushed in completely and locked.



- (c) Check to see that there is no signal change when the connector is slightly tapped or wiggled.

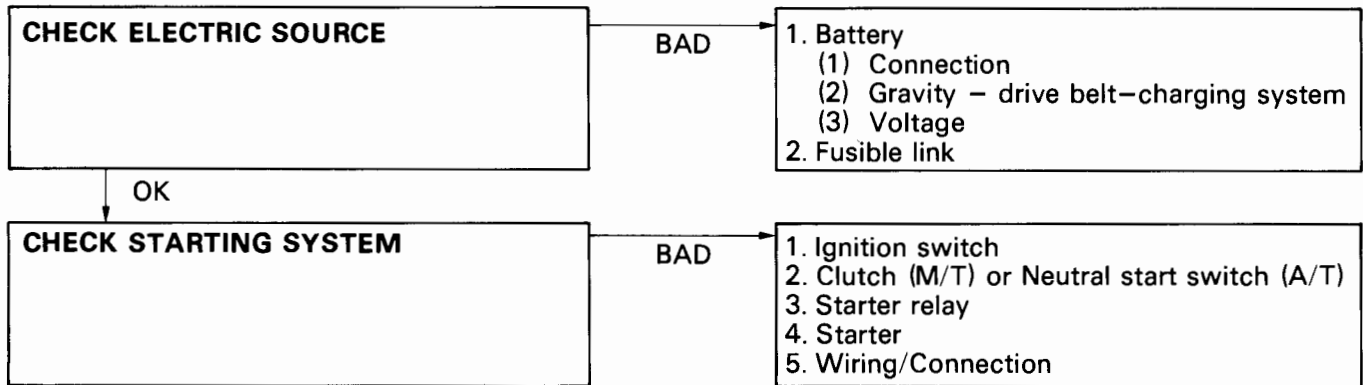
3. Sufficiently troubleshoot for other causes before replacing the ECU, as the ECU is of high quality and is expensive.



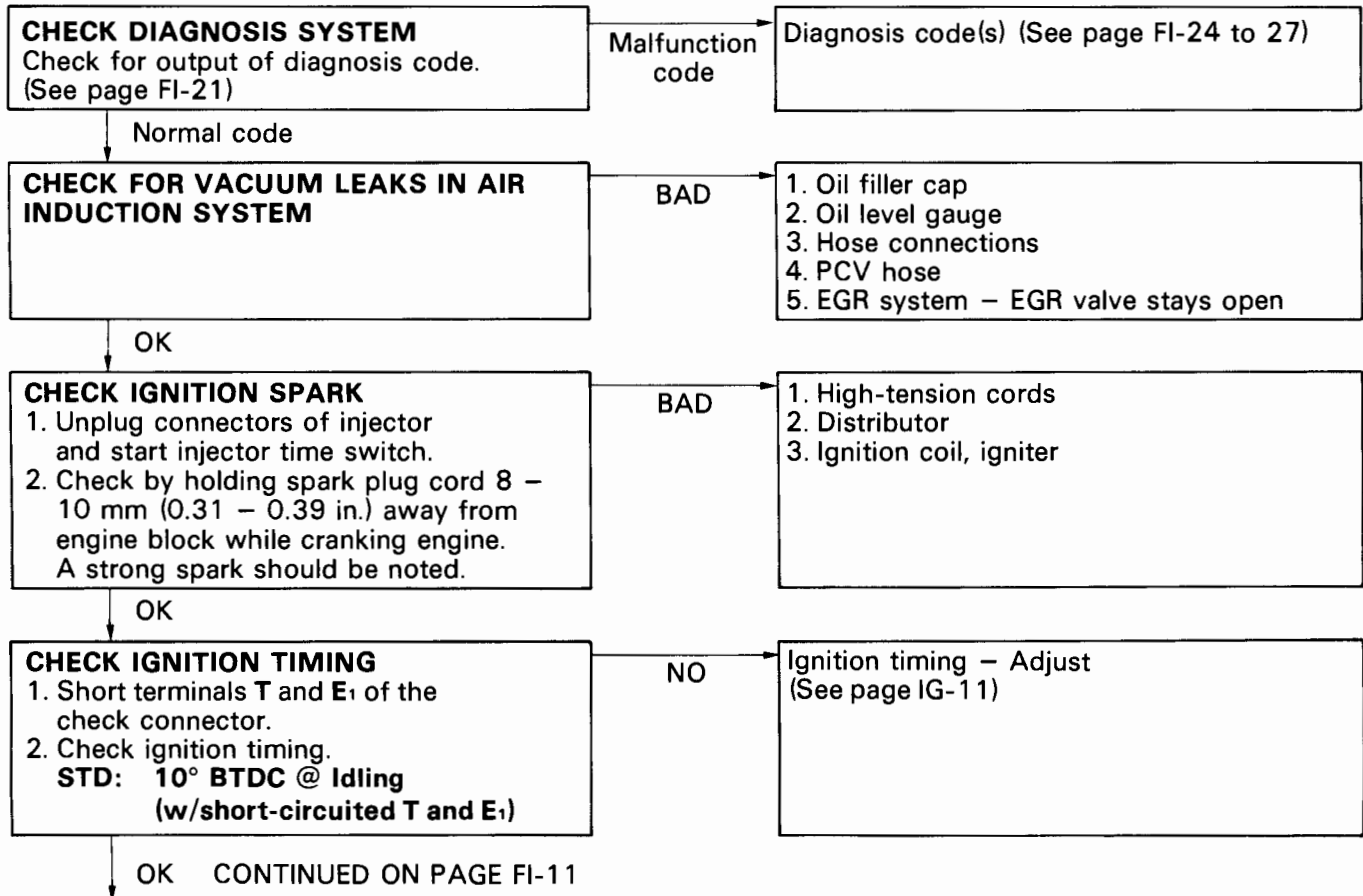
4. Use a volt/ohmmeter with high impedance (10 kΩ/V minimum) for troubleshooting of the electrical circuit. (See page FI-26)

### TROUBLESHOOTING PROCEDURES

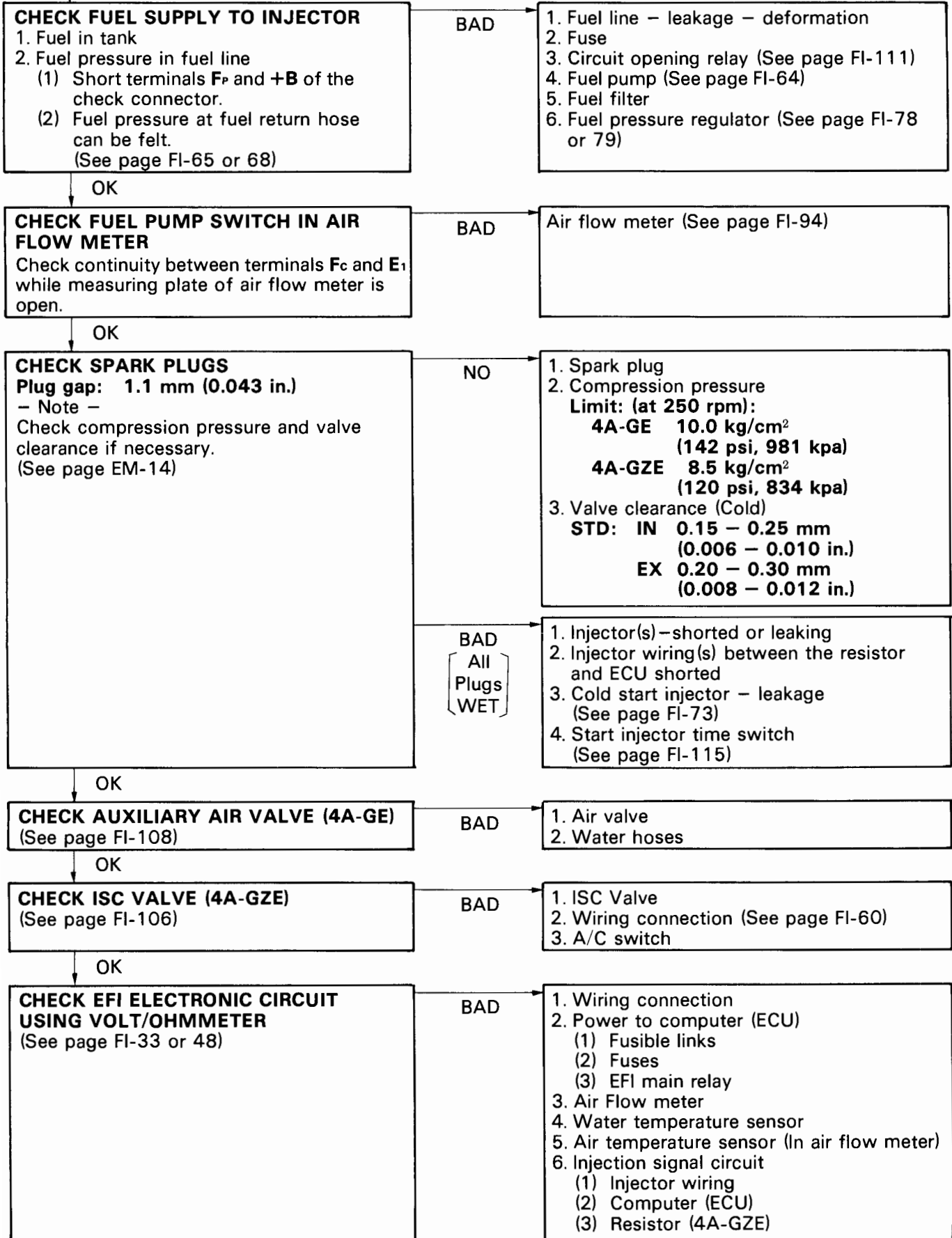
#### SYMPTOM – DIFFICULT TO START OR NO START (ENGINE WILL NOT CRANK OR CRANKS SLOWLY)



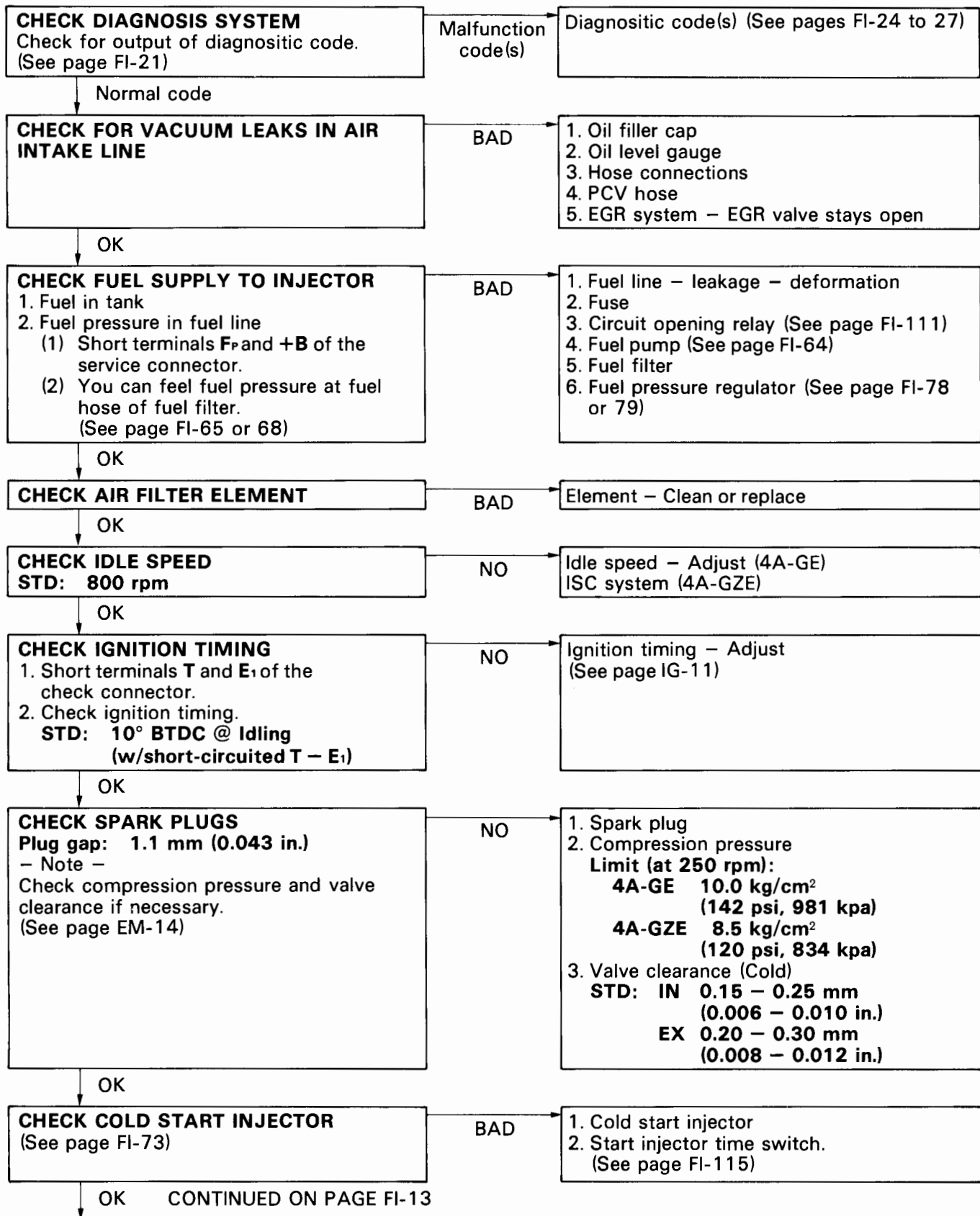
#### SYMPTOM – DIFFICULT TO START OR NO START (CRANKS OK)

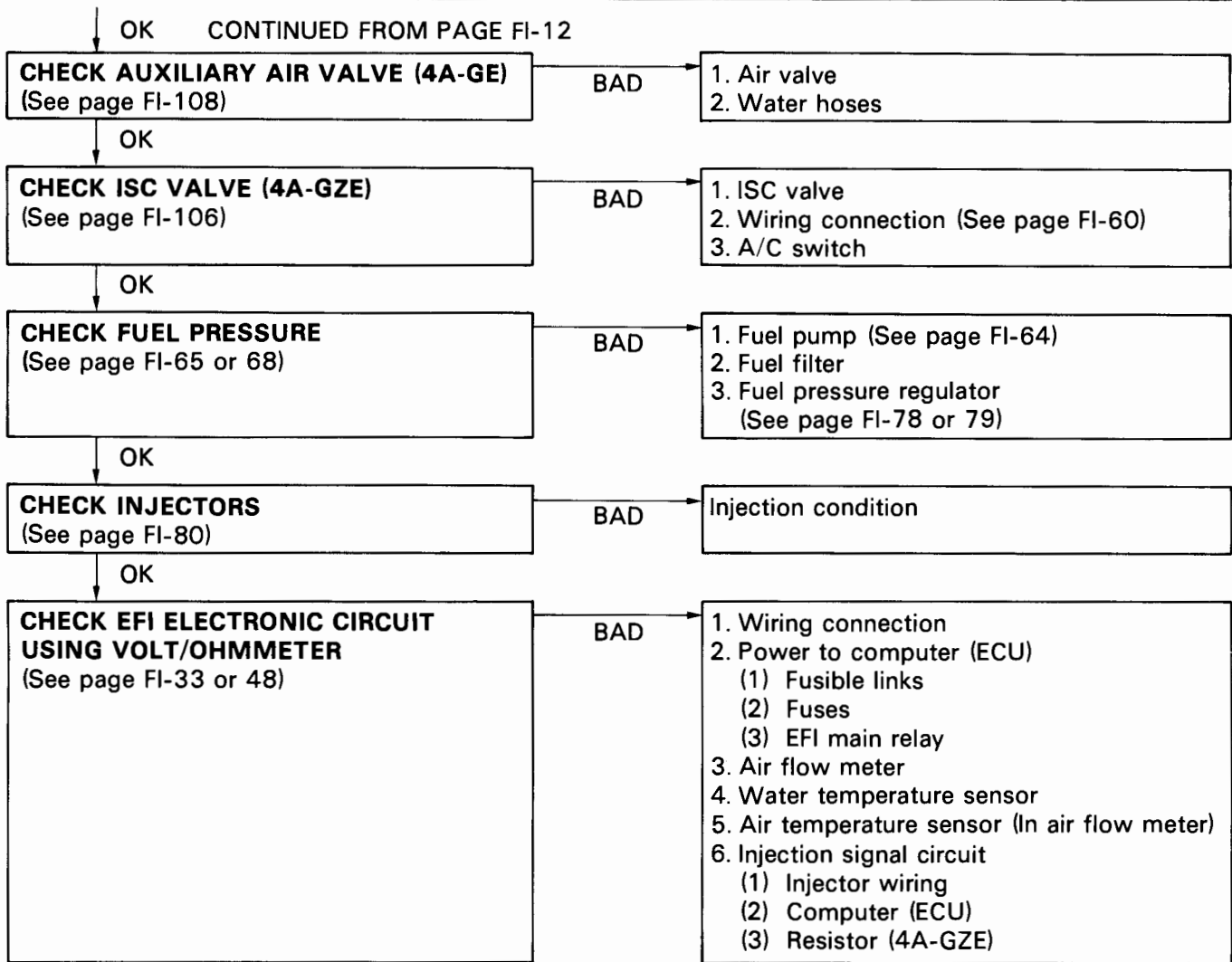


OK CONTINUED FROM PAGE FI-10

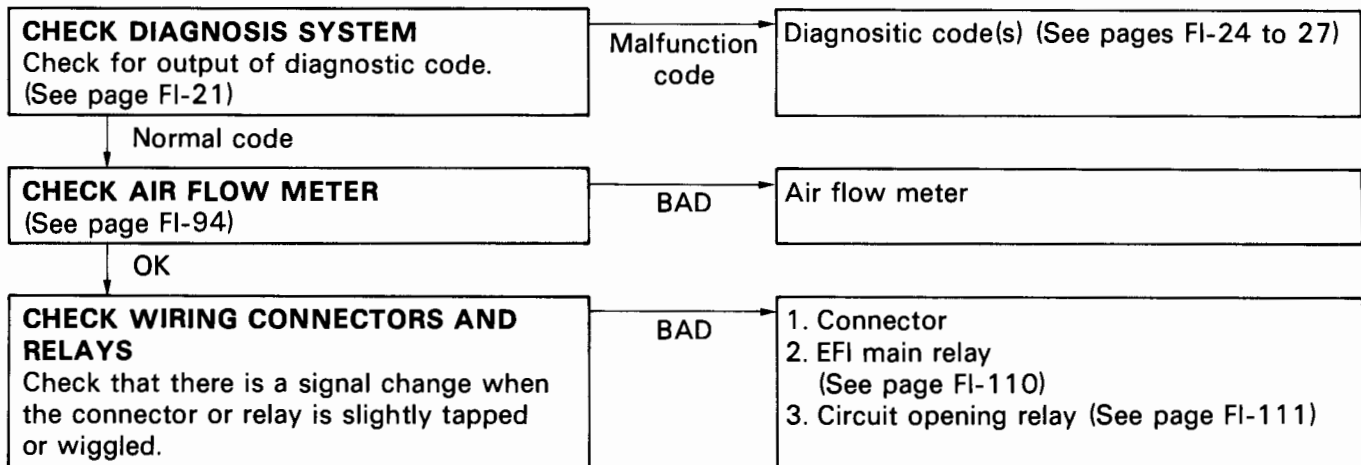


**SYMPTOM — ENGINE OFTEN STALLS**



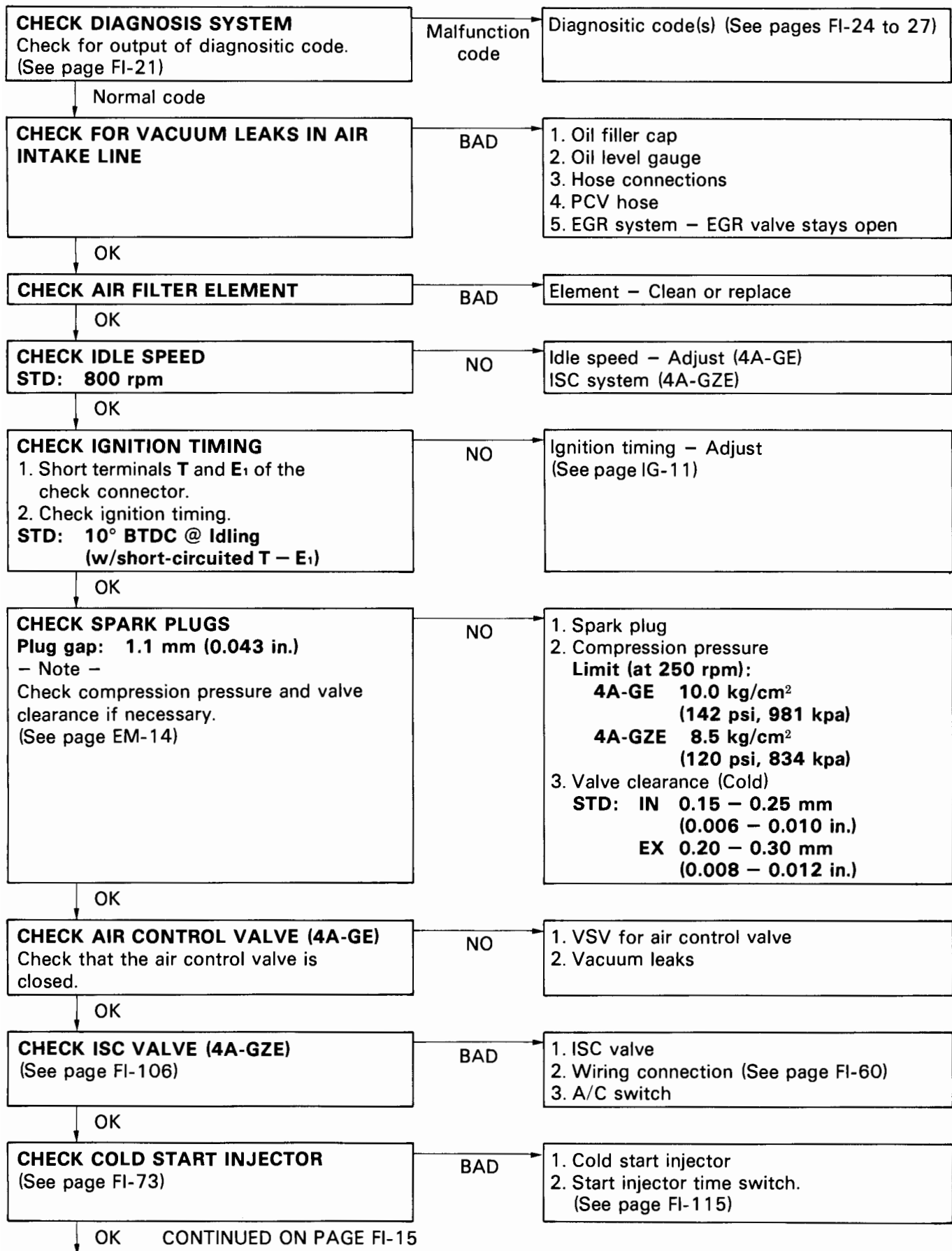


**SYMPTOM — ENGINE SOMETIMES STALLS**

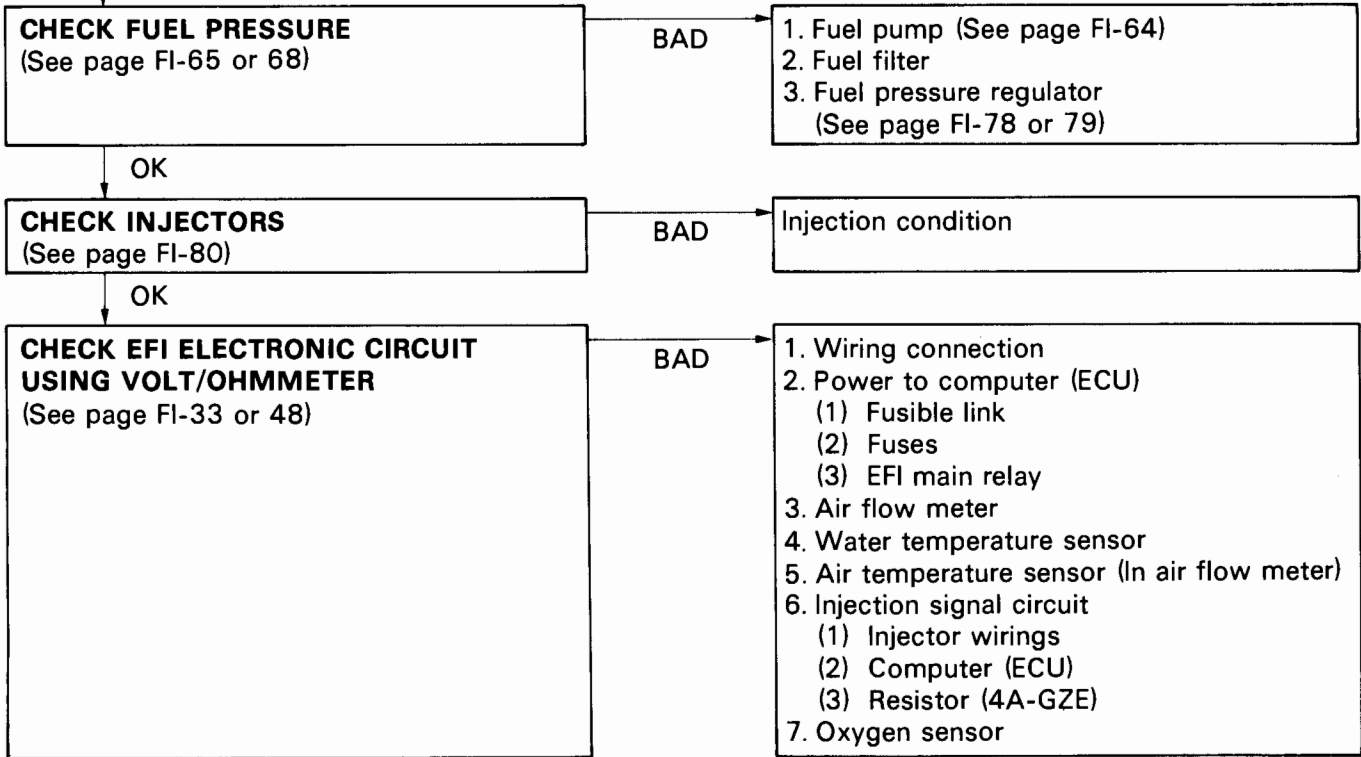




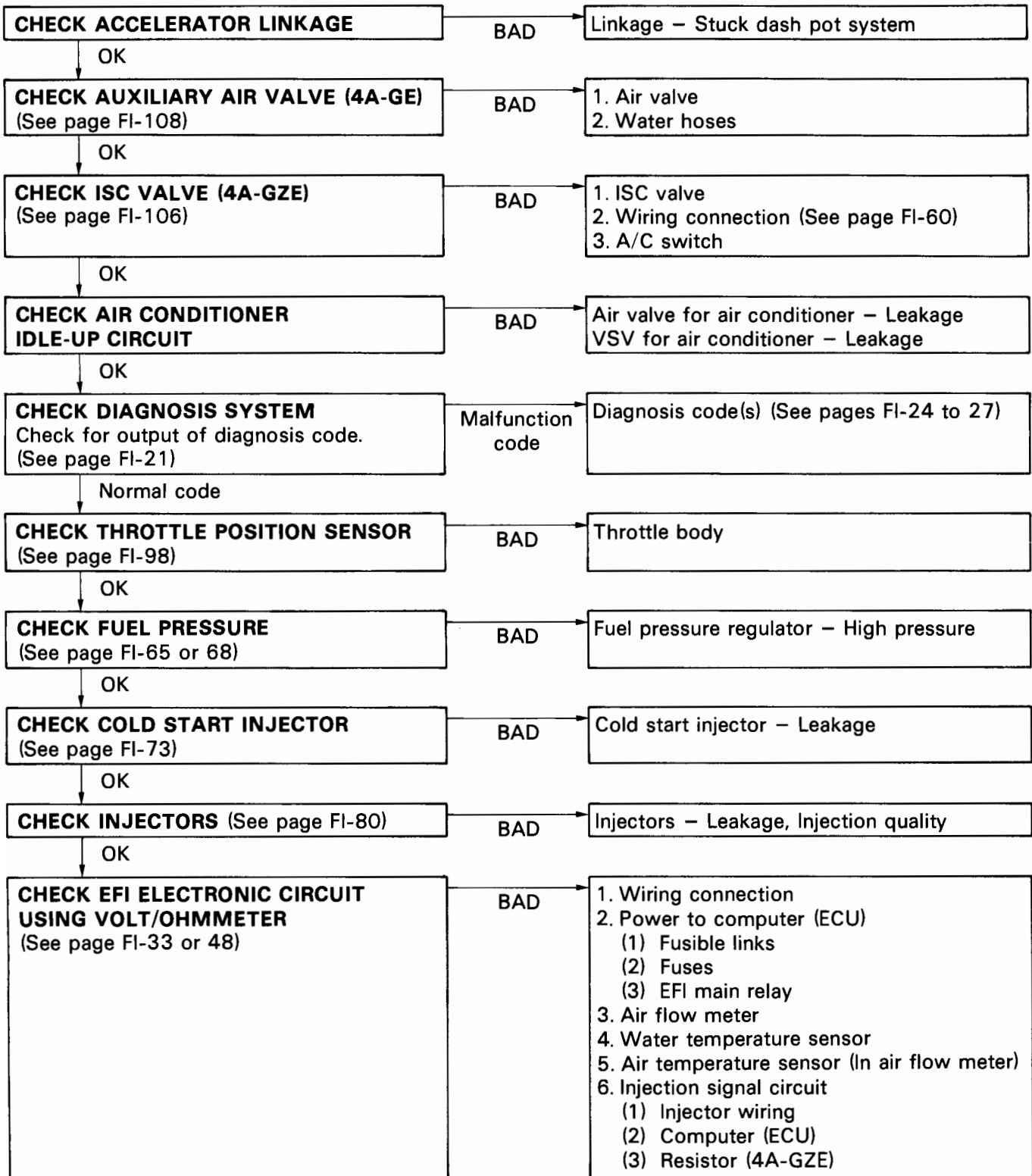
**SYMPTOM – ROUGH IDLING AND/OR MISSING**



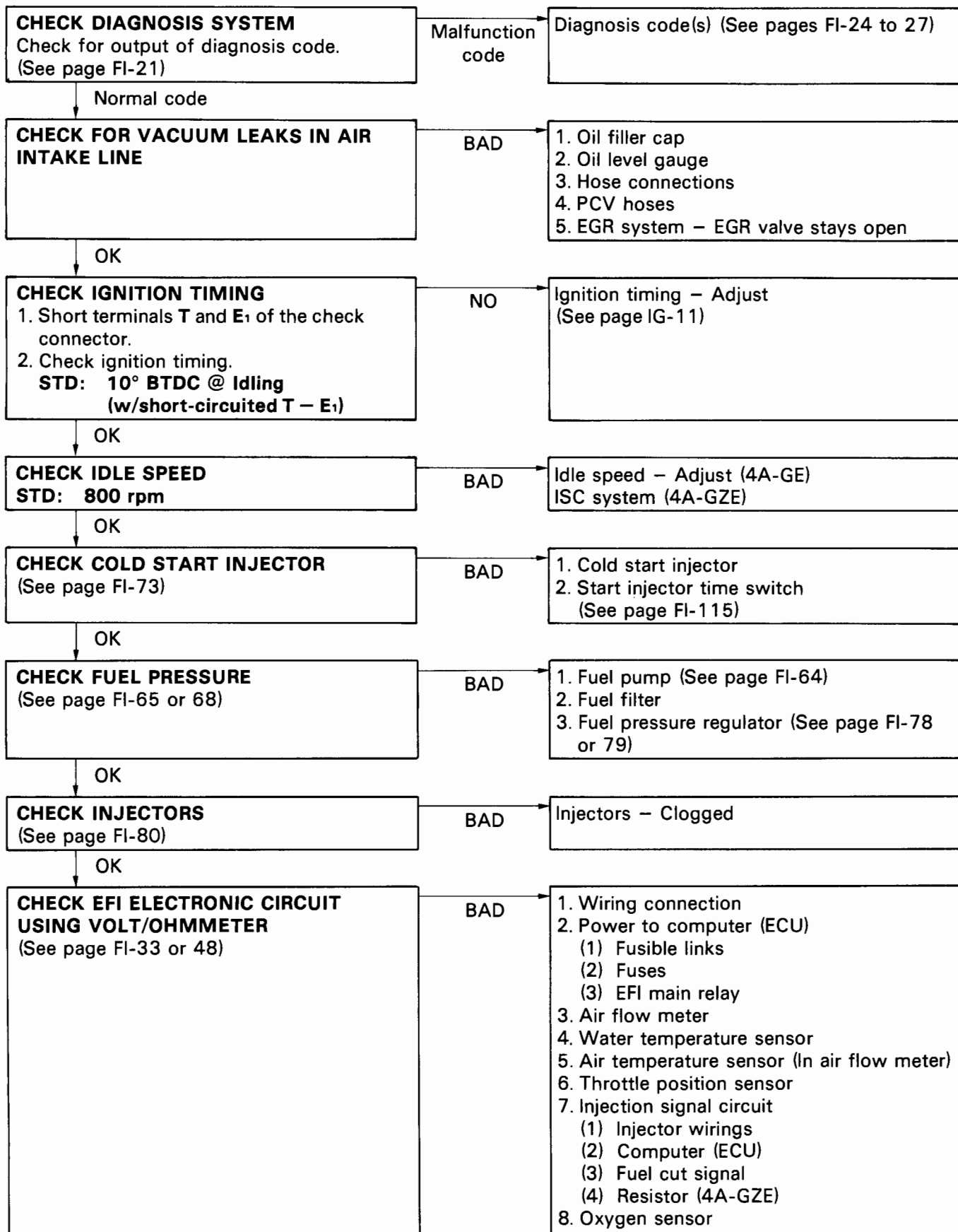
OK CONTINUED FROM PAGE FI-14



**SYMPTOM – HIGH ENGINE IDLE SPEED (NO DROP)**

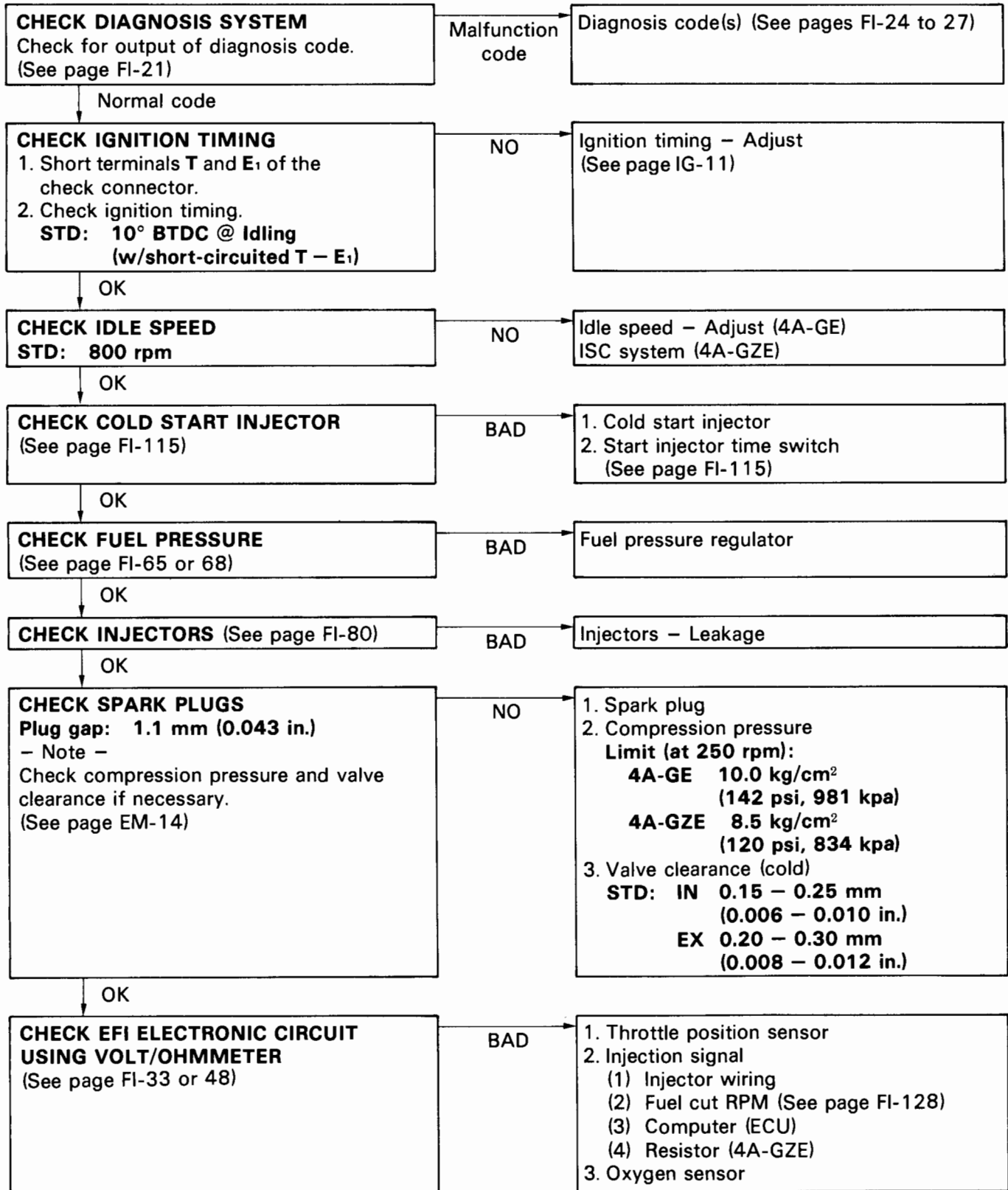


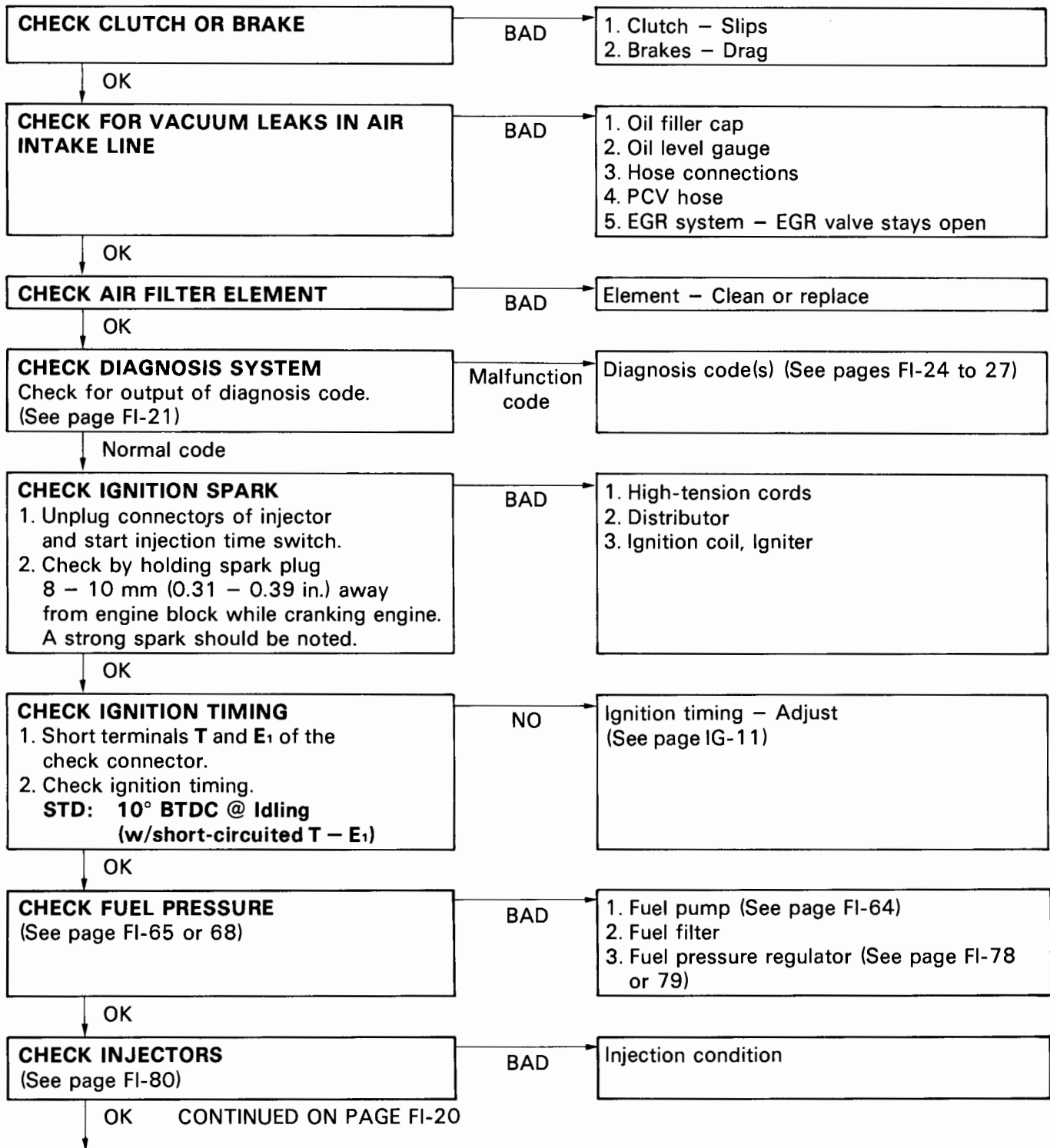
**SYMPTOM — ENGINE BACKFIRES-Lean Fuel Mixture**



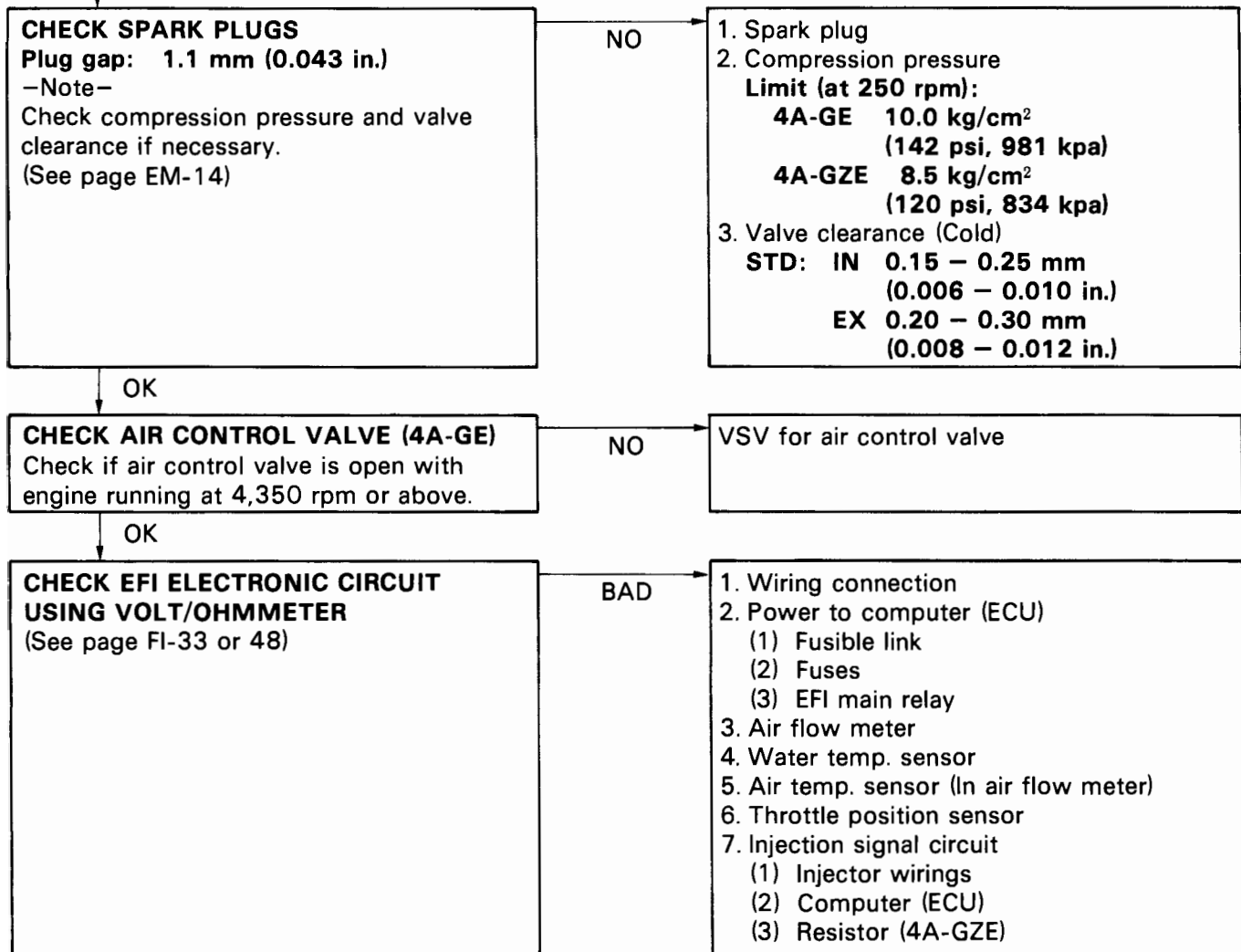
**SYMPTOM — MUFFLER EXPLOSION (AFTER FIRE)**

**-Rich Fuel Mixture-Misfire**



**SYMPTOM — ENGINE HESITATES AND/OR POOR ACCELERATION**

OK CONTINUED FROM PAGE FI-19



# DIAGNOSIS SYSTEM

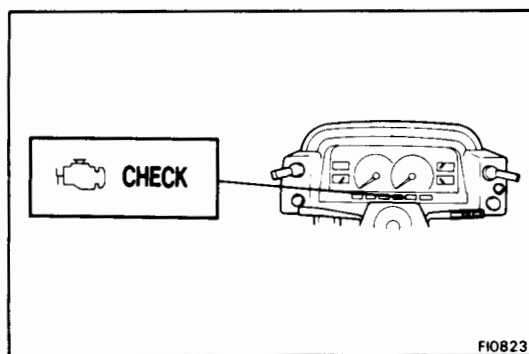
## DESCRIPTION

The ECU contains a built-in self-diagnosis system by which troubles with the engine signal network are detected and an indicated by a "CHECK ENGINE" warning light on the instrument panel flashes.

By analyzing various signals as shown in the later table (pages FI-24 to 27) the Electronic Control Unit (ECU) detects system malfunctions which are related to the various operating parameter sensors or to actuator. The ECU stores the failure code associated with the detected failure until the diagnosis system is cleared by removing the AM<sub>2</sub> fuse with the ignition switch off.

A "CHECK ENGINE" warning light on the instrument panel informs the driver that a malfunction has been detected.

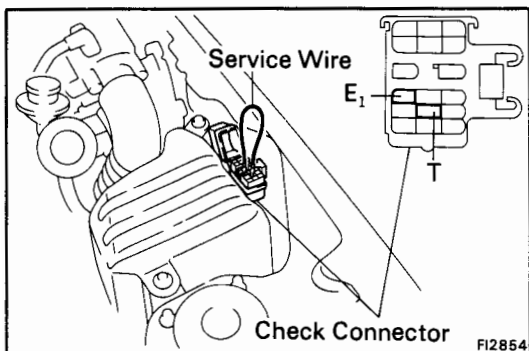
The light goes out automatically when the malfunction has been cleared.



## "CHECK ENGINE" WARNING LIGHT CHECK

1. The "CHECK ENGINE" warning light will come on when the ignition switch is placed at ON and the engine is not running.
2. When the engine is started, the "CHECK ENGINE" warning light should go out.

If the light remains on, the diagnosis system has detected a malfunction or abnormality in the system.



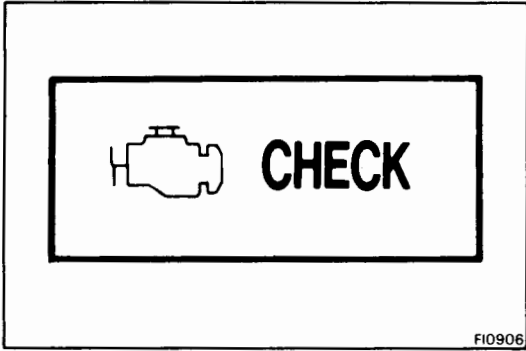
## OUTPUT OF DIAGNOSTIC CODES

To obtain an output of diagnostic codes, proceed as follows:

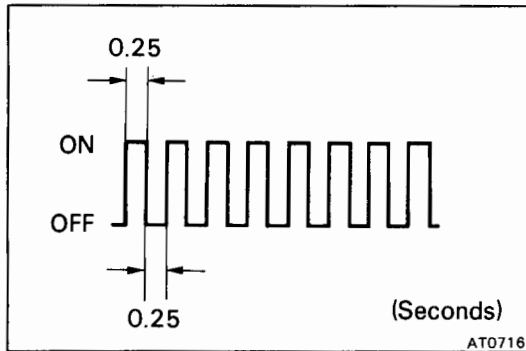
1. Initial conditions
  - (a) Battery voltage above 11 volts
  - (b) Throttle valve fully closed (throttle position sensor IDL points closed)
  - (c) Transmission in neutral position
  - (d) Accessory switches OFF
  - (e) Engine at normal operating temperature
2. Turn the ignition switch to ON. Do not start the engine.
3. Using a service wire short terminals T and E<sub>1</sub> of the check connector.

NOTE: The check connector is located near the resonator (4A-GE) or intercooler (4A-GZE).



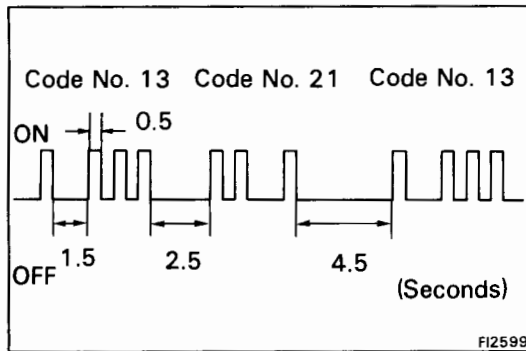


4. Read the diagnosis code as indicated by the number of flashes of the "CHECK ENGINE" warning light.



Diagnosis code (See pages FI-24 to 27)

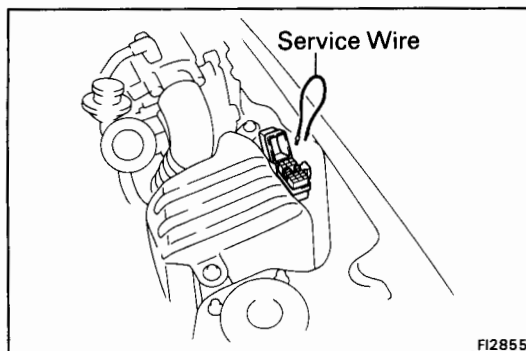
- (a) Normal System Operation  
The light will blink once every 0.5 seconds.



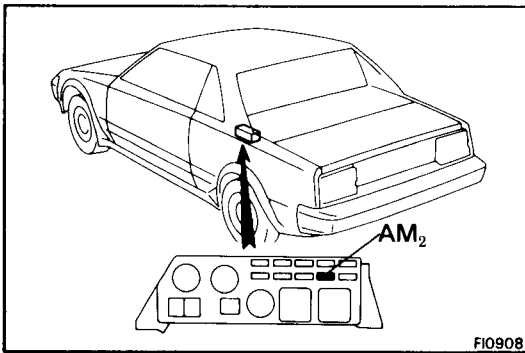
- (b) Malfunction Code Indication
  - The light will blink a number of times equal to the malfunction code indication as follows:
    1. Between the first digit and second digit, 1.5 seconds.
    2. Between code and code, 2.5 seconds.
    3. Between all malfunction codes, 4.5 seconds.

The diagnostic code series will be repeated as long as the check connector terminal T and E<sub>1</sub> are shorted.

**NOTE:** In the event of a number of trouble codes, indication will begin from the smaller value and continue in order to the larger.



5. After the diagnosis check, remove the service wire.



## CANCELLING DIAGNOSTIC CODE










1. After repair of the trouble area, the diagnosis code retained in memory by the ECU must be cancelled out by removing the fuse AM<sub>2</sub> (7.5A), located in the engine compartment No. 2 relay box, for 10 seconds or more, depending on ambient temperature (the lower the temperature, the longer the fuse must be left out) with the ignition switch off.

### NOTE:







- Cancellation can also be done by removing the battery negative (-) terminal, but in this case, other memory systems (clock, etc.) will also be cancelled out.
  - If the diagnosis code is not cancelled out, it will be retained by the ECU and appear along with a new code in the event of future trouble.
  - If it is necessary to work on engine components requiring removal of the battery terminal, a check must first be made to see if a diagnostic code has been recorded.
2. After cancellation, perform a road test to confirm that a "normal" code is now read on the "CHECK ENGINE" warning light.

If the same diagnosis code appears, it indicates that the trouble area has not been repaired thoroughly.

## DIAGNOSTIC CODES (4A-GE)











Code No.	Number of blinks "CHECK ENGINE"	System	Diagnosis	Trouble area	See page
-	 ON OFF FI1401	Normal	This appears when none of the other codes are identified.	-	-
12	 FI1389	RPM Signal	<ul style="list-style-type: none"> <li>No "Ne" signal to ECU within 2 seconds after engine has been cranked.</li> <li>No "G" signal to ECU 2 times in succession when engine speed is between 500 rpm and 4,000 rpm.</li> </ul>	<ul style="list-style-type: none"> <li>Distributor circuit</li> <li>Distributor</li> <li>Starter signal circuit</li> <li>Igniter circuit</li> <li>Igniter</li> <li>ECU</li> </ul>	-
13	 FI1390	RPM Signal	No. "Ne" signal to ECU when the engine speed is above 1,500 rpm.	<ul style="list-style-type: none"> <li>Distributor circuit</li> <li>Distributor</li> <li>ECU</li> </ul>	
14	 FI1391	Ignition Signal	No "IGf" signal to ECU 4 times in succession.	<ul style="list-style-type: none"> <li>Igniter circuit</li> <li>Igniter</li> <li>Igniter and ignition coil circuit</li> <li>Igniter and ignition coil</li> <li>ECU</li> </ul>	FI-44
21	 FI1400	Oxygen Sensor Signal	Detection of oxygen sensor deterioration.	<ul style="list-style-type: none"> <li>Oxygen sensor circuit</li> <li>Oxygen sensor</li> <li>ECU</li> </ul>	FI-46
		Oxygen Sensor Heater	Open or short circuit in oxygen sensor heater	<ul style="list-style-type: none"> <li>Oxygen sensor heater circuit</li> <li>Oxygen sensor heater</li> <li>ECU</li> </ul>	
22	 FI1392	Water Temp. Sensor Signal	Open or short circuit in water temp. sensor signal. (THW)	<ul style="list-style-type: none"> <li>Water temp. sensor circuit</li> <li>Water temp. sensor</li> <li>ECU</li> </ul>	FI-42
24	 FI1611	Intake Air Temp. Sensor Signal	Open or short circuit in intake air temp. sensor signal. (THA)	<ul style="list-style-type: none"> <li>Intake air temp. sensor circuit</li> <li>Intake air temp. sensor</li> <li>ECU</li> </ul>	FI-41
25	 FI2562	Air fuel Ratio Lean Malfunction	When air-fuel ratio feedback compensation valve or adaptive control valve continues at the upper (lean) or lower (rich) limit renewed for a certain period of time.	<ul style="list-style-type: none"> <li>Injection circuit</li> <li>Injector</li> <li>Oxygen sensor circuit</li> <li>Oxygen sensor</li> <li>Oxygen sensor</li> <li>ECU</li> <li>Fuel line pressure</li> <li>Air leak</li> <li>Air flow meter</li> <li>Ignition system</li> </ul>	FI-46
26	 FI2563	Air-fuel Ratio Rich Malfunction		<ul style="list-style-type: none"> <li>Injector circuit</li> <li>Injector</li> <li>Oxygen sensor circuit</li> <li>Oxygen sensor</li> <li>Fuel line pressure</li> <li>Air flow meter</li> <li>Cold start injector</li> <li>ECU</li> </ul>	

**DIAGNOSTIC CODES (4A-GE) (Cont'd)**









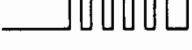
Code No.	Number of blinks "CHECK ENGINE"	System	Diagnosis	Trouble area	See page
31	 FI1394	Air-flow Meter Signal	Short circuit between VC and VB, VC and E2 or VS and VC.	<ul style="list-style-type: none"> <li>● Air flow meter circuit</li> <li>● Air flow meter</li> <li>● ECU</li> </ul>	FI-38
41	 FI1396	Throttle Position Sensor Signal	Open or short circuit in throttle position signal.	<ul style="list-style-type: none"> <li>● Throttle position sensor circuit</li> <li>● Throttle position sensor</li> <li>● ECU</li> </ul>	FI-36
42	 FI1397	Vehicle Speed Sensor Signal	No "SPD" signal for 5 seconds when engine speed is above 2,500 rpm.	<ul style="list-style-type: none"> <li>● Vehicle speed sensor circuit</li> <li>● Vehicle speed sensor</li> <li>● ECU</li> </ul>	-
43	 FI1398	Starter Signal	No "STA" signal to ECU until engine speed reaches 800 rpm with vehicle not moving.	<ul style="list-style-type: none"> <li>● IG switch circuit</li> <li>● IG switch</li> <li>● ECU</li> </ul>	FI-43
* 71	 FI2622	EGR System Malfunction	EGR gas temp. below prede terminal level for during EGR control.	<ul style="list-style-type: none"> <li>● EGR system (EGR valve, EGR hose etc.,)</li> <li>● EGR gas temp. sensor circuit</li> <li>● EGR gas temp. sensor</li> <li>● VSV for EGR.</li> <li>● VSV for EGR circuit</li> <li>● ECU</li> </ul>	FI-47
51	 FI1399	Switch Signal	Air conditioner switch ON, idle switch OFF or A/T shift position other than "P" or "N" range during diagnosis check.	<ul style="list-style-type: none"> <li>● A/C switch circuit</li> <li>● A/C switch</li> <li>● A/C Amplifier</li> <li>● Throttle position sensor circuit</li> <li>● Throttle position sensor</li> <li>● ECU</li> </ul>	FI-45

\* For California

## DIAGNOSTIC CODES (4A-GZE)

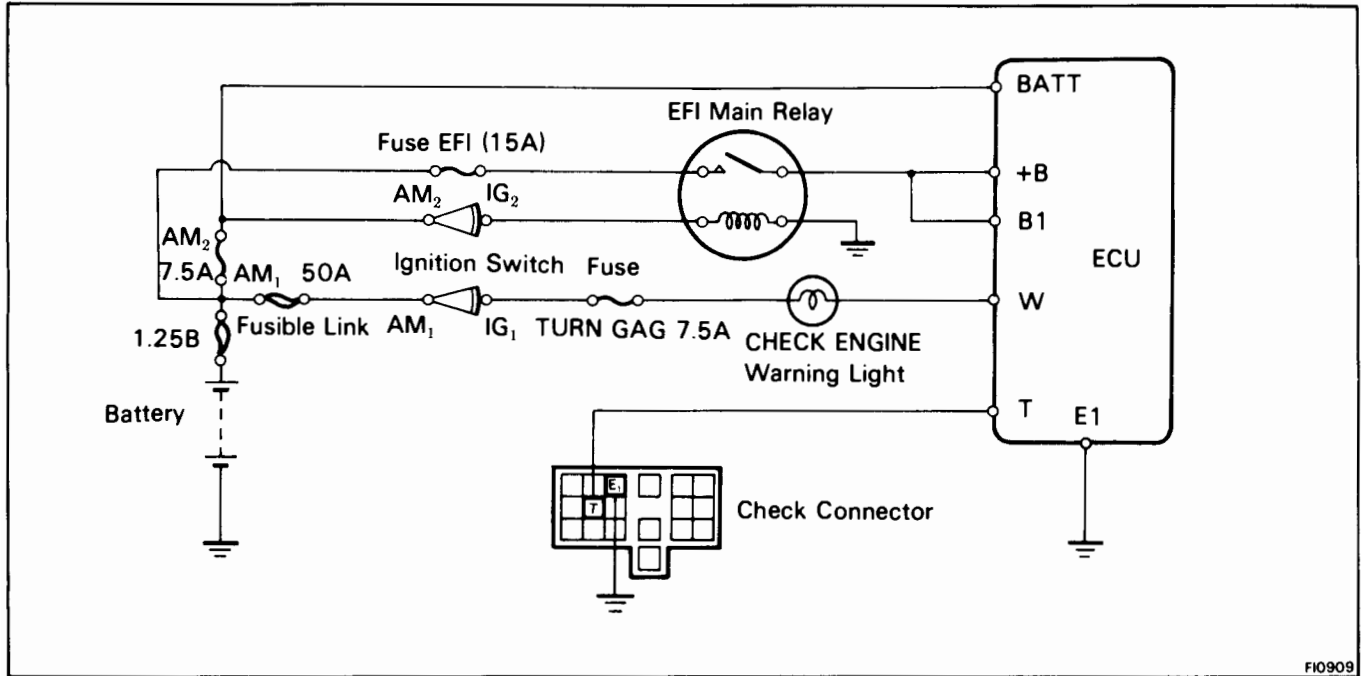
Code No.	Number of blinks "CHECK ENGINE"	System	Diagnosis	Trouble area	See page
-	 FI1401	Normal	This appears when none of the other codes are identified.	-	-
11	 FI1605	ECU (+B)	Momentary interruption in power supply to ECU.	<ul style="list-style-type: none"> <li>● Ignition switch circuit</li> <li>● Ignition switch</li> <li>● Main relay circuit</li> <li>● Main relay</li> <li>● ECU</li> </ul>	FI-49
12	 FI1389	RPM Signal	No "Ne" or "G" signal to ECU within 2 seconds after engine has been cranked.	<ul style="list-style-type: none"> <li>● Distributor circuit</li> <li>● Distributor</li> <li>● Starter signal circuit</li> <li>● ECU</li> </ul>	-
13	 FI1390	RPM Signal	No "Ne" signal to ECU when engine speed is above 1,000 rpm.	<ul style="list-style-type: none"> <li>● Distributor circuit</li> <li>● Distributor</li> <li>● ECU</li> </ul>	-
14	 FI1391	Ignition Signal	No "IGf" signal to ECU 8 - 11 times in succession.	<ul style="list-style-type: none"> <li>● Igniter and ignition coil circuit</li> <li>● Igniter and ignition coil</li> <li>● ECU</li> </ul>	FI-59
21	 FI1400	Oxygen Sensor	Detection of oxygen sensor deterioration.	<ul style="list-style-type: none"> <li>● Oxygen sensor circuit</li> <li>● Oxygen sensor</li> <li>● ECU</li> </ul>	FI-62
		Oxygen Sensor Heater	Open or short circuit oxygen sensor heater.	<ul style="list-style-type: none"> <li>● Oxygen sensor heater circuit</li> <li>● Oxygen sensor heater</li> <li>● ECU</li> </ul>	
22	 FI1392	Water Temp. Sensor Signal	Open or short circuit in water temp. screw signal.	<ul style="list-style-type: none"> <li>● Water temp. sensor</li> <li>● Water temp. sensor</li> <li>● ECU</li> </ul>	FI-57
24	 FI1611	Intake Air Temp. Sensor Signal	Open or short circuit in intake air temp. sensor signal.	<ul style="list-style-type: none"> <li>● Intake air temp. sensor Circuit</li> <li>● Intake air temp. sensor</li> <li>● ECU</li> </ul>	FI-56
25	 FI2562	Air-fuel Ratio Lean Malfunction	When air-fuel ratio feedback compensation valve or adaptive control value continues at the upper (lean) or lower (rich) limit renewed for a certain period of time.	<ul style="list-style-type: none"> <li>● Injector circuit</li> <li>● Injector</li> <li>● Oxygen sensor circuit</li> <li>● Oxygen sensor</li> <li>● ECU</li> <li>● Air leak</li> <li>● Fuel line pressure</li> <li>● Air flow meter</li> </ul>	FI-62
26	 FI2563	Air-fuel Ratio Rich Malfunction		<ul style="list-style-type: none"> <li>● Injector circuit</li> <li>● Injector</li> <li>● Oxygen sensor circuit</li> <li>● Oxygen sensor</li> <li>● Fuel line pressure</li> <li>● Air flow meter</li> <li>● ECU</li> </ul>	

**DIAGNOSTIC CODES (4A-GZE) (Cont'd)**

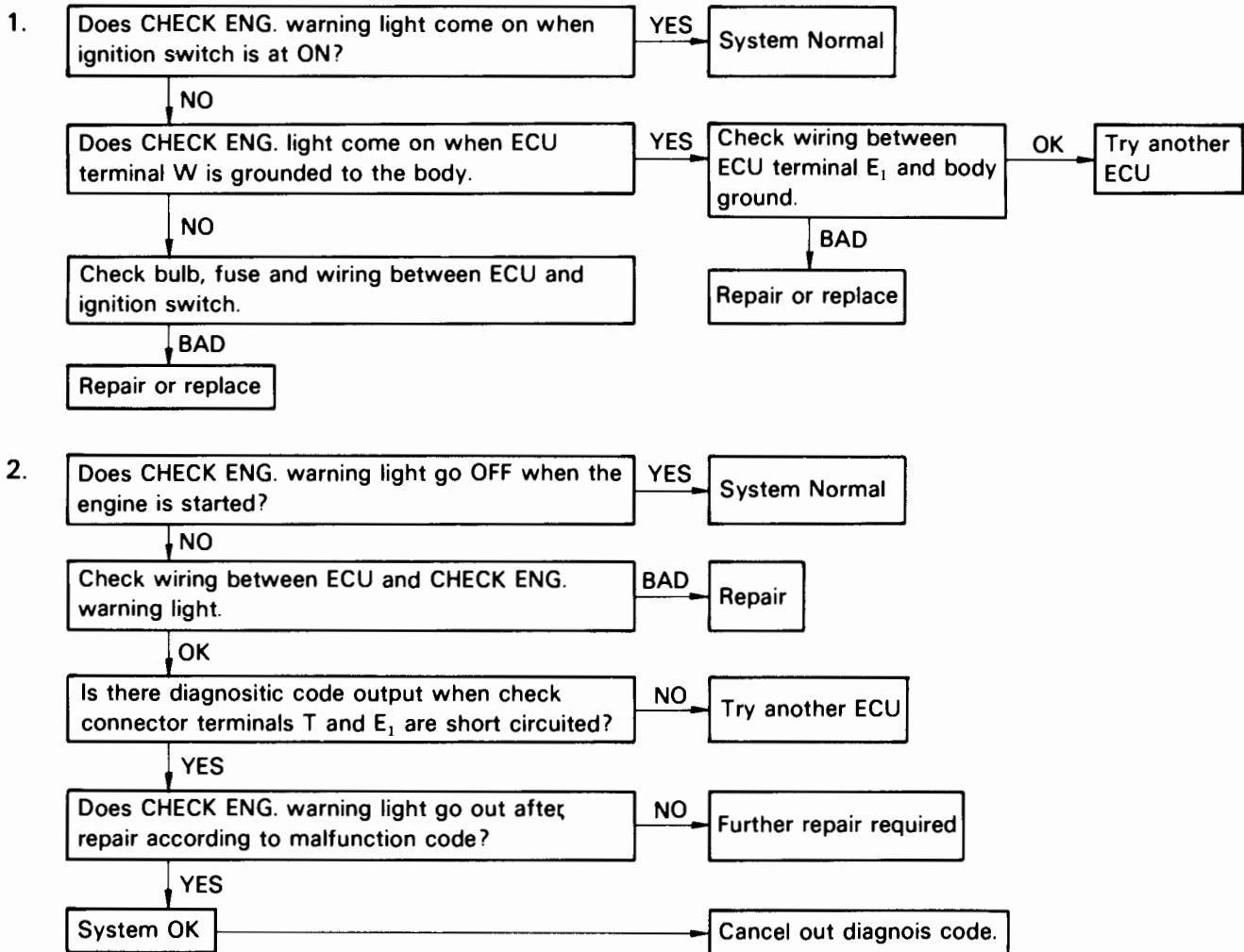
Code No.	Number of blinks "CHECK ENGINE"	System	Diagnosis	Trouble area	See page
31	 FI1394	Air-flow Meter Signal	Open circuit in VC signal or short circuit between VS and E2 when idle contacts are closed	<ul style="list-style-type: none"> <li>● Air flow meter circuit</li> <li>● Air flow meter</li> <li>● ECU</li> </ul>	FI-53
32	 FI1395	Air-flow Meter Signal	Open circuit in E2 or short circuit between VC and VS	<ul style="list-style-type: none"> <li>● Air flow meter circuit</li> <li>● Air-flow meter</li> <li>● ECU</li> </ul>	
41	 FI1396	Throttle Position Sensor Signal	Open or short circuit in throttle position sensor signal.	<ul style="list-style-type: none"> <li>● Throttle position sensor circuit</li> <li>● Throttle position sensor</li> </ul>	FI-51
42	 FI1397	Vehicle Speed Sensor Signal	No "SPD" signal for 8 seconds when engine speed is between 2,300 rpm and 5,000 rpm and coolant temp. is below 80°C (176°F) except when racing the engine.	<ul style="list-style-type: none"> <li>● Vehicle speed sensor circuit</li> <li>● Vehicle speed sensor</li> <li>● ECU</li> </ul>	-
43	 FI1398	Starter Signal	No "STA" signal to ECU until engine speed reaches 800 rpm with Vehicle not moving	<ul style="list-style-type: none"> <li>● IG switch circuit</li> <li>● IG switch</li> <li>● ECU</li> </ul>	FI-58
52	 FI1618	Knock Sensor Signal	Open or short circuit in knock sensor signal	<ul style="list-style-type: none"> <li>● Knock sensor circuit</li> <li>● Knock sensor</li> <li>● ECU</li> </ul>	-
53	 FI1619	Knock Control Signal in ECU	Knock control in ECU faulty	<ul style="list-style-type: none"> <li>● ECU</li> </ul>	
* 71	 FI2622	EGR System Malfunction	EGR gas temp. below predetermined level during EGR operation	<ul style="list-style-type: none"> <li>● EGR system (EGR valve, EGR hose etc.,)</li> <li>● EGR gas temp. sensor circuit</li> <li>● EGR gas temp. sensor</li> <li>● VSV for EGR</li> <li>● VSV for EGR circuit</li> <li>● ECU</li> </ul>	FI-63
51	 FI1399	Switch Signal	Air conditioner switch ON, idle switch OFF or A/T shift position other than "P" or "N" range during diagnosis check.	<ul style="list-style-type: none"> <li>● A/C switch circuit</li> <li>● A/C switch</li> <li>● A/C amplifire</li> <li>● Throttle position sensor circuit</li> <li>● Throttle position sensor</li> <li>● ECU</li> </ul>	FI-61

\*: For California

INSPECTION OF DIAGNOSIS CIRCUIT



FI0909



# TROUBLESHOOTING WITH VOLT/OHMMETER (4A-GE)

## PREPARATION OF TROUBLESHOOTING

1. Remove the rear luggage compartment trim.
2. Remove the ECU with the wire harness.

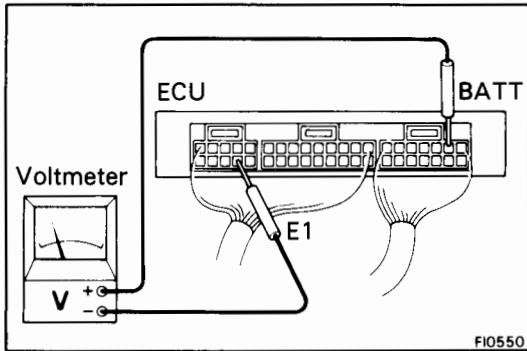
## EFI SYSTEM CHECK PROCEDURE

**NOTE:**

1. The EFI circuit can be checked by measuring the resistance and voltage at the wiring connectors of the ECU.
2. Perform all voltage measurements with the connectors connected.
3. Verify that the battery voltage is 11V or above when the ignition switch is at ON.

Using a voltmeter with high impedance (10 kΩ/V minimum), measure the voltage at each terminal of the wiring connector.

**NOTE:** If there is any problem, see TROUBLESHOOTING FOR EFI ELECTRONIC CIRCUIT WITH VOLT/OHMMETER.

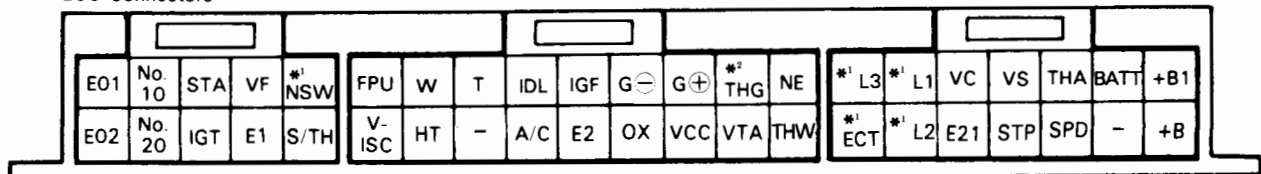


### Connectors of ECU

Symbol	Terminal	Symbol	Terminal	Symbol	Terminal
E01	Engine ground (Power)	T	Service connector	* <sup>1</sup> L3	ECT Computer
E02	Engine ground (Power)	—	—	* <sup>1</sup> ECT	ECT Computer
No. 10	No. 3, 4 injector	IDL	Throttle position sensor	* <sup>1</sup> L1	ECT Computer
No. 20	No. 1, 2 injector	A/C	A/C Magnet clutch	* <sup>1</sup> L2	ECT Computer
STA	Starter switch	IGF	Igniter	VC	Air flow meter
IGT	Igniter	E2	Sensor ground	E21	Sensor ground
VF	Service connector	G ⊖	Engine revolution sensor	VS	Air flow meter
E1	Engine ground	OX	Oxygen sensor	STP	Stop light switch
* <sup>1</sup> NSW	Neutral start switch	G ⊖	Engine revolution sensor	THA	Inlet air temperature sensor
S/TH	VSV (T-VIS)	VCC	Throttle position sensor	SPD	Speedometer sensor
FPU	VSV (FPU)	* <sup>2</sup> THG	EGR temperature sensor	BATT	Battery
V-ISC	VSV (ISC)	VTA	Throttle position sensor	—	—
W	Warning light	NE	Engine revolution sensor	+ B1	EFI main relay
HT	Oxygen sensor heater	THW	Water temperature sensor	+ B	EFI main relay

\*<sup>1</sup> : For A/T  
\*<sup>2</sup> : For Calif.

ECU Connectors



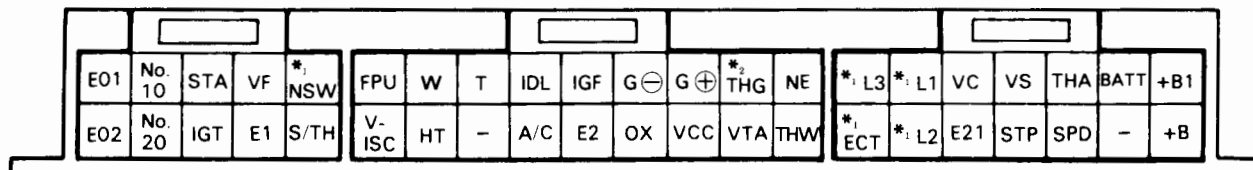


Voltage at ECU wiring connectors

No.	Terminals	STD voltage	Condition		See page
1	+ B1 - E1 + B	10 - 14	Ignition S/W ON		FI-34
2	BATT - E1	10 - 14	—		FI-35
3	IDL - E2	10 - 14	Ignition S/W ON	Throttle valve open	FI-36
	VTA - E2	0.1 - 1.0		Throttle valve fully closed	
		4 - 5		Throttle valve fully open	
	VCC - E2	4 - 6		—	
4	+B1 - E2	10 - 14	Ignition S/W ON	—	FI-38
	VC - E2	6 - 10		—	
	VS - E2	2 - 5.5		Measuring plate fully closed	
		6 - 9	Measuring plate fully open		
		2 - 8	Idling	—	
5	No. 10 - E01 No. 20 - E02	9 - 14	Ignition S/W ON		FI-39
6	W - E1	9 - 14	No trouble (Check engine warning light off) and engine running		FI-40
7	THA - E2	1 - 3	Ignition S/W ON	Intake air temperature 20°C (68°F)	FI-41
8	THW - E2	0.1 - 1.0	Ignition S/W ON	Coolant temperature 80°C (176°F)	FI-42
9	STA - E1	6 - 14	Ignition S/W ST position and press on the clutch pedal (M/T)		FI-43
10	IGT - E1	0.7 - 1.0	Idling		FI-44
11	A/C - E1	5 - 14	Air conditioning ON		FI-45

\*<sub>1</sub> : For A/T  
\*<sub>2</sub> : For Calif.

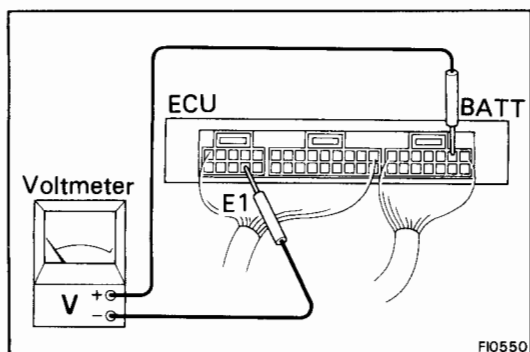
ECU Connectors



# TROUBLESHOOTING WITH VOLT/OHMMETER (4A-GZE)

## PREPARATION OF TROUBLESHOOTING

1. Remove the rear luggage compartment trim.
2. Remove the ECU with the wire harness.



## EFI SYSTEM CHECK PROCEDURE

**NOTE:**

1. The EFI circuit can be checked by measuring the resistance and voltage at the wiring connectors of the ECU.
2. Perform all voltage measurements with the connectors connected.
3. Verify that the battery voltage is 11V or above when the ignition switch is at ON.

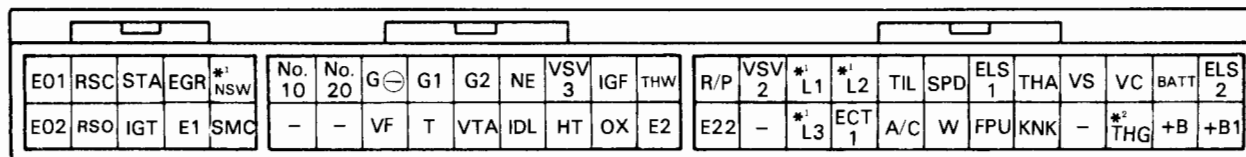
Using a voltmeter with high impedance (10 kΩ/V minimum), measure the voltage at each terminal of the wiring connector.

**NOTE:** If there is any problem, see TROUBLESHOOTING FOR EFI ELECTRONIC CIRCUIT WITH VOLT/OHMMETER.

### Connectors of ECU

Symbol	Terminal	Symbol	Terminal	Symbol	Terminal
E01	Engine ground (Power)	G2	Engine revolution sensor	TIL	Super charge indicator lamp.
E02	Engine ground (Power)	VTA	Throttle position sensor	A/C	A/C Magnet clutch
RSC	ISC valve	NE	Engine revolution sensor	SPD	Speedometer sensor
RSO	ISC valve	IDL	Throttle position sensor	W	Warning light
STA	Starter switch	VSV3	VSV (Air by-pass)	ELS1	Stop light
IGT	Igniter	HT	Oxygen sensor heater	FPU	VSV (FPU)
EGR	EGR valve	IGF	Igniter	THA	Inlet air temp. sensor
E1	Engine ground	OX	Oxygen sensor	KNK	Knock sensor
*1 NSW	Neutral start switch	THW	Water temperature sensor	VS	Air flow meter
SMC	Super charger relay	E2	Sensor ground	-	-
No. 10	No. 3, 4 injector	R/P	Fuel control switch	VC	Air flow meter
-	-	E22	Sensor ground	*2 THG	EGR temperature sensor
No. 20	No. 1, 2 injector	VSV2	VSV (Air bleed)	BATT	Battery
-	-	-	-	+B	EFI main relay
G ⊖	Engine revolution sensor	*1 L1	ECT computer	ELS2	Accessory switch
VF	Service connector	*1 L3	ECT computer	+B1	EFI main relay
G1	Engine revolution sensor	*1 L2	ECT computer		
T	Service connector	*1 ECT1	ECT computer		

\*1 : For A/T  
\*2 : For Calif.



Voltage at ECU wiring connectors

No.	Terminals	STD voltage	Condition		See page
1	+ B1 + B - E1	10 - 14	Ignition S/W ON		FI-49
2	BATT - E1	10 - 14	—		FI-50
3	IDL - E2	M/T 4 - 5 A/T 10 - 14	Ignition S/W ON	Throttle valve open	FI-51
	VTA - E2	0.1 - 1.0		Throttle valve fully closed	
		4 - 5		Throttle valve fully open	
	VC - E2	4 - 6		—	
4	VC - E2	4 - 6	Ignition S/W ON	—	FI-53
	VS - E2	4 - 5		Measuring plate fully closed	
		0.02 - 0.5		Measuring plate fully open	
		2 - 4	Idling	—	
5	No. 10 - E01 No. 20 - E02	9 - 14	Ignition S/W ON		FI-54
6	W - E1	9 - 14	No trouble (Check engine warning light off) and engine running		FI-55
7	THA - E2	1 - 3	Ignition S/W ON	Intake air temperature 20°C (68°F)	FI-56
8	THW - E2	0.1 - 1.0	Ignition S/W ON	Coolant temperature 80°C (176°F)	FI-57
9	STA - E1	6 - 14	Ignition S/W ST position and press on the clutch pedal (M/T)		FI-58
10	IGT - E1	0.7 - 1.0	Idling		FI-59
11	RSC RSO - E1	9 - 14	Ignition S/W ON		FI-60
12	A/C - E1	5 - 14	Air conditioning ON		FI-61

\*<sup>1</sup> : For A/T  
\*<sup>2</sup> : For Calif.

E01	RSC	STA	EGR	NSW	No. 10	No. 20	G ⊖	G1	G2	NE	VSV <sub>3</sub>	IGF	THW	R/P	VSV <sub>2</sub>	* <sup>1</sup> L1	* <sup>1</sup> L2	TIL	SPD	ELS <sub>1</sub>	THA	VS	VC	BATT	ELS <sub>2</sub>
E02	RSO	IGT	E1	SMC	-	-	Vf	T	VTA	IDL	HT	OX	E2	E22	-	* <sup>1</sup> L3	* <sup>2</sup> ECT <sub>1</sub>	A/C	W	FPU	KNK	-	THG	+B	+B1

## TROUBLESHOOTING EFI ELECTRONIC CIRCUIT WITH VOLT/OHMMETER (4A-GE)

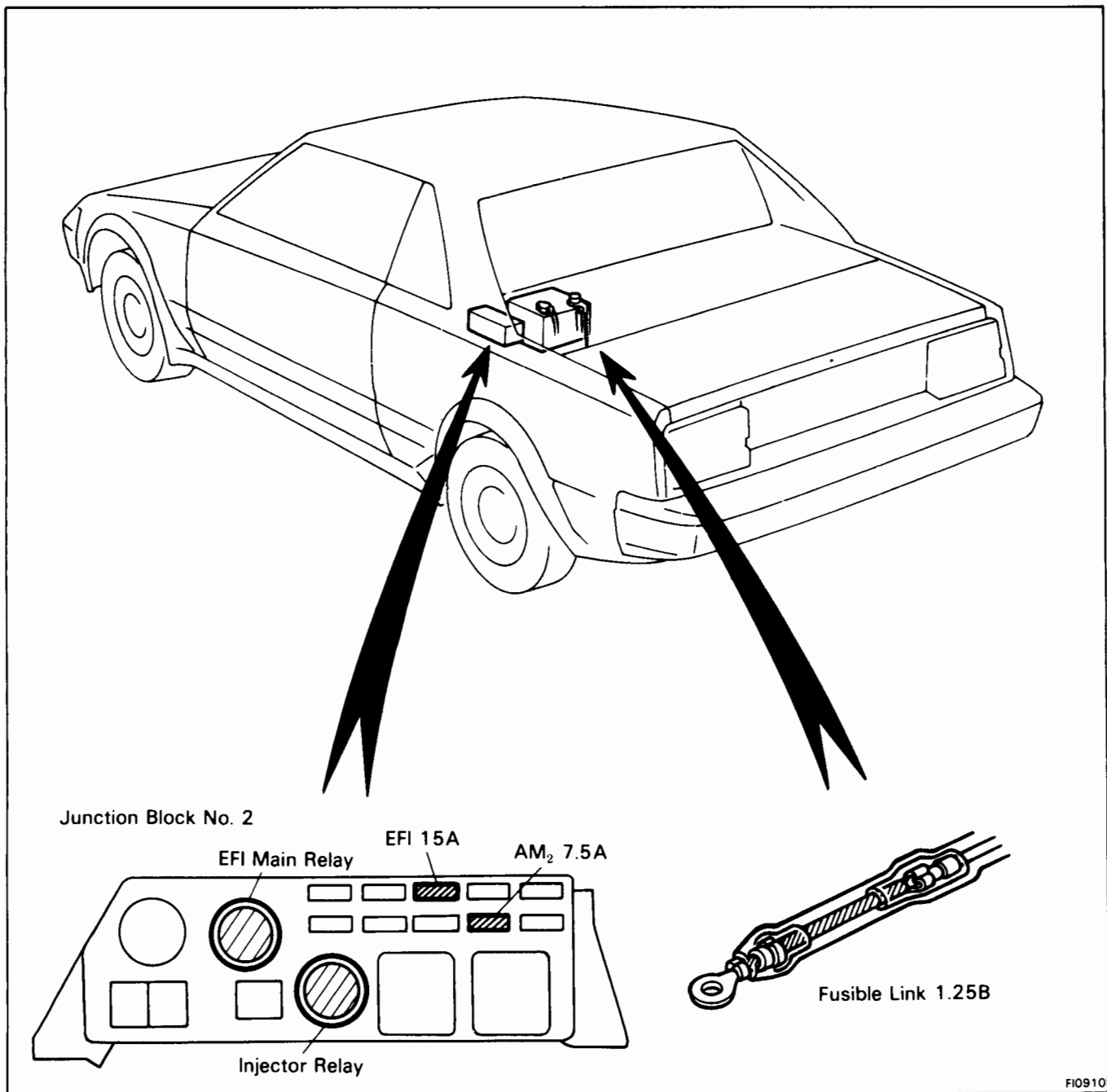
**NOTE:** The following troubleshooting procedures are designed for inspection of each separate system, and therefore the actual procedure may vary somewhat. However, troubleshooting should be performed by referring to the inspection methods described in this manual.

Before beginning inspection, it is best to first make a simple check of the fuses, fusible links and the condition of the connectors.

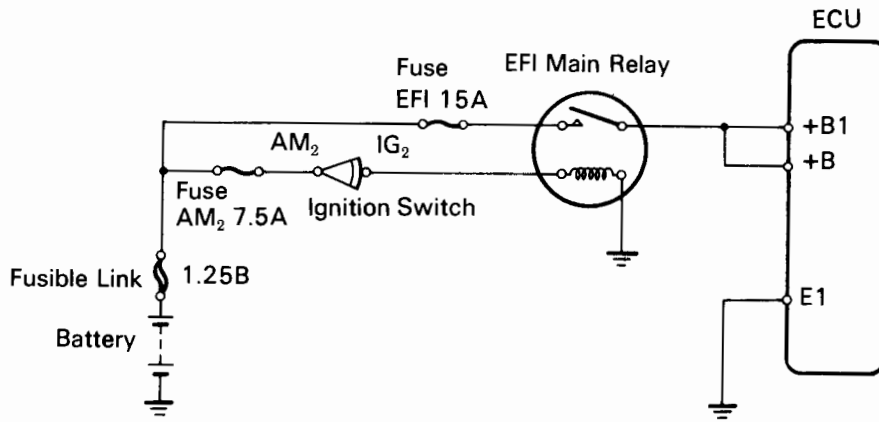
The following troubleshooting procedures are based on the supposition that the trouble lies in either a short or open circuit in a component outside the computer or a short circuit within the computer.

If engine trouble occurs even though proper operating voltage is detected in the computer connector, then the computer is faulty and should be replaced.

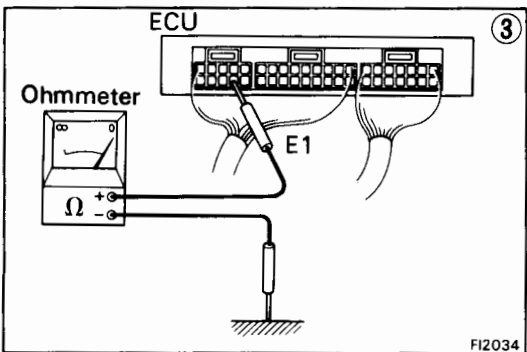
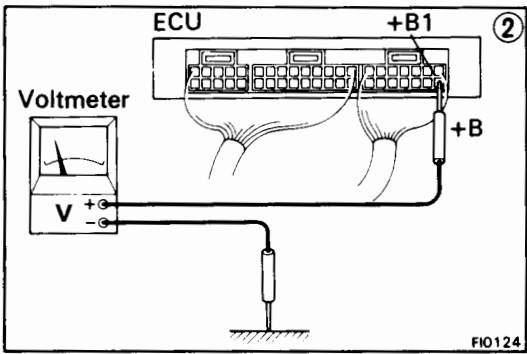
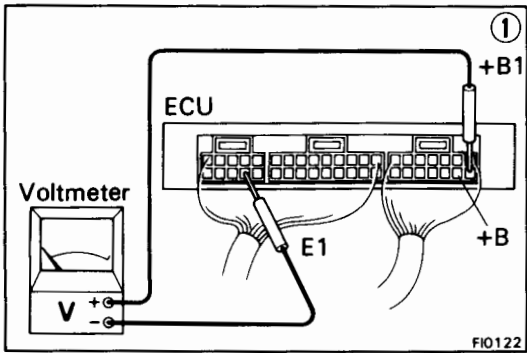
### LOCATION OF FUSES AND FUSIBLE LINKS



No.	Terminals	Trouble	Condition	STD Voltage
1	+B1 – E1 +B	No voltage	Ignition switch ON	10 – 14 V



FI2852



① There is no voltage between ECU terminals +B1 or +B and E1. (IG S/W ON)

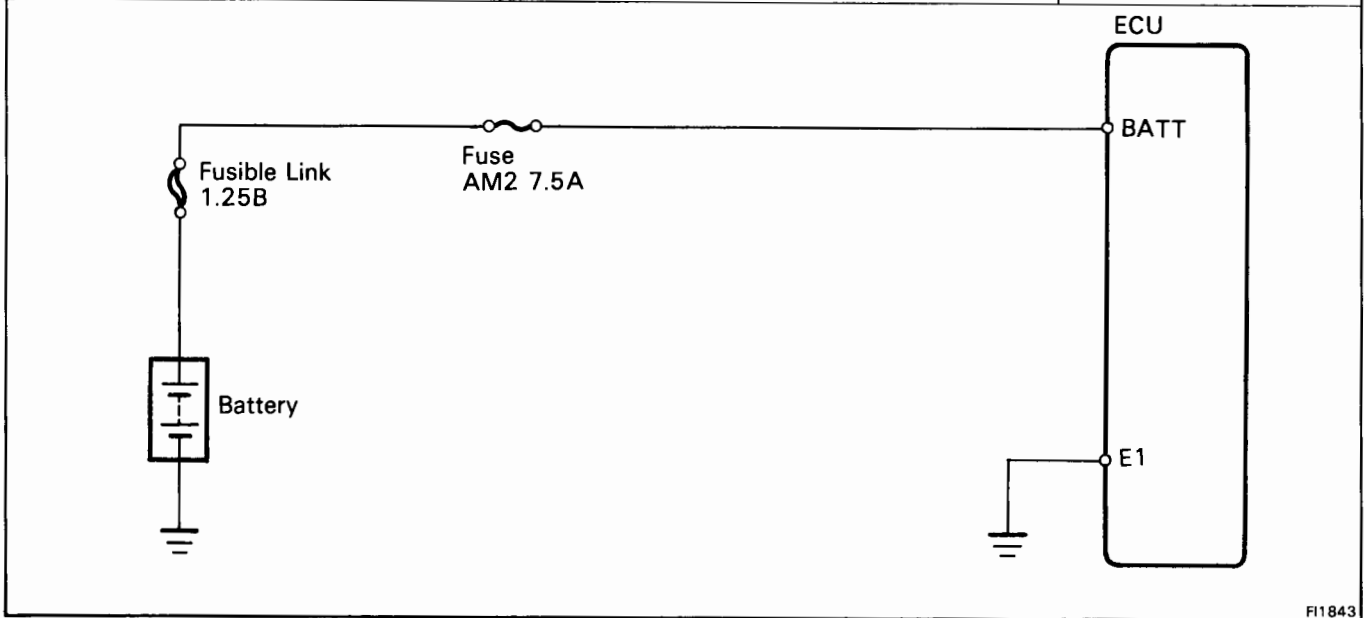
② Check that there is voltage between ECU terminals +B1 or +B and body ground. (IG S/W ON)

③ Check wiring between ECU terminal E1 and body ground.

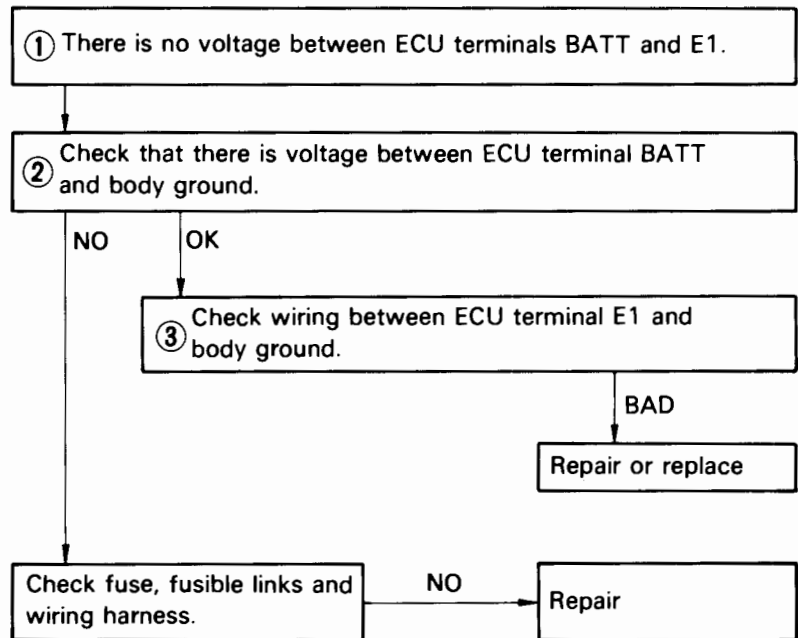
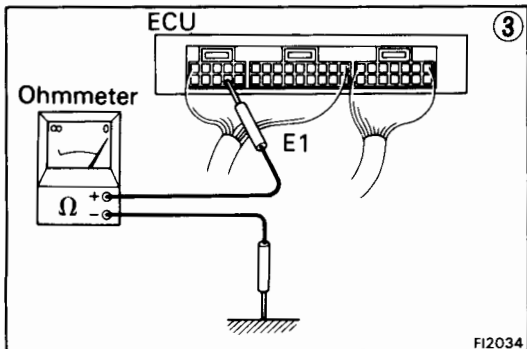
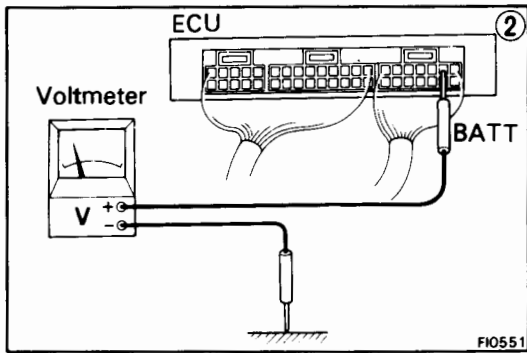
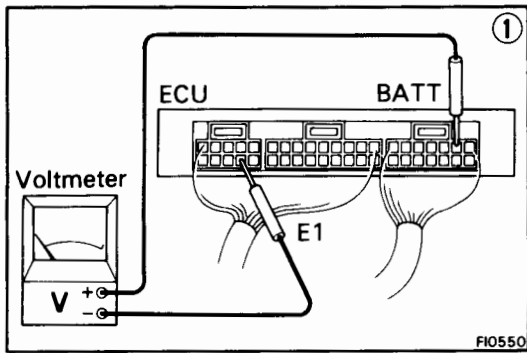
```

    graph TD
        Step1[① There is no voltage between ECU terminals +B1 or +B and E1. (IG S/W ON)] --> Step2[② Check that there is voltage between ECU terminals +B1 or +B and body ground. (IG S/W ON)]
        Step2 -- NO --> CheckFuses[Check fuse, fusible link and wiring harness.]
        Step2 -- OK --> CheckRelay[Check EFI main relay.]
        CheckFuses -- BAD --> Repair1[Repair or replace]
        CheckFuses -- OK --> CheckRelay
        CheckRelay -- BAD --> Replace[Replace]
        CheckRelay -- OK --> Repair2[Repair or replace]
        CheckWiring[Check wiring between ECU terminal E1 and body ground.] -- BAD --> Repair2
        CheckWiring -- OK --> Repair1
    
```

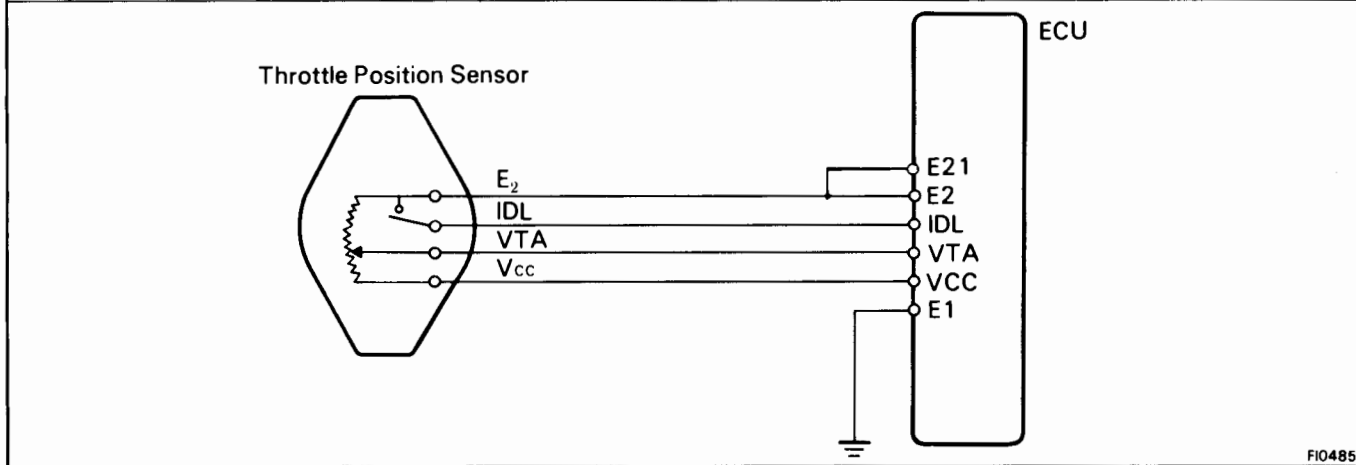
No.	Terminals	Trouble	Condition	STD Voltage
2	BATT — E1	No voltage	—	10 — 14 V



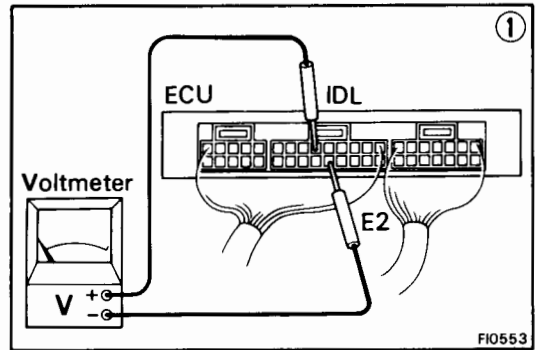
FI1843



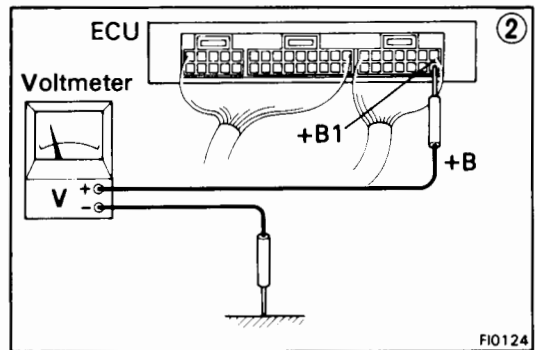
No.	Terminals	Trouble	Condition	STD Voltage	
3	IDL – E2	No voltage	Ignition switch ON	Throttle valve open	10 – 14 V
	VTA – E2			Throttle valve fully closed	0.1 – 1.0 V
	VCC – E2			Throttle valve fully open	4 – 5 V
				–	4 – 6 V



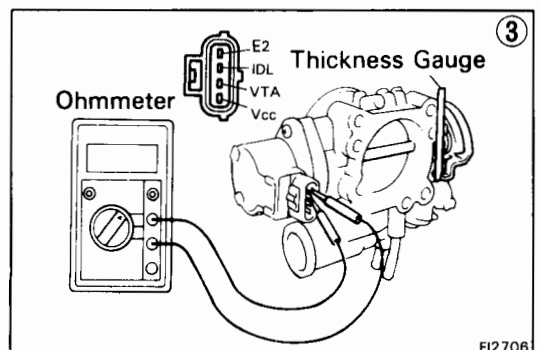
FI0485



FI0553



FI0124



FI2706

• IDL ↔ E2

There is no voltage between ECU terminals IDL and E2.  
 ① (IG S/W ON) (Throttle valve open)

② Check that there is voltage between ECU terminal +B1 or +B and body ground. (IG S/W ON)

NO → Refer to No. 1 (See page FI-34)  
 OK → Check wiring between ECU terminal E1 and body ground.

Check wiring between ECU terminal E1 and body ground.

BAD → Repair or replace

Refer to No. 1 (See page FI-34)

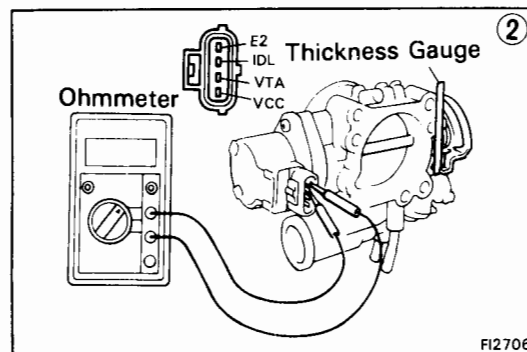
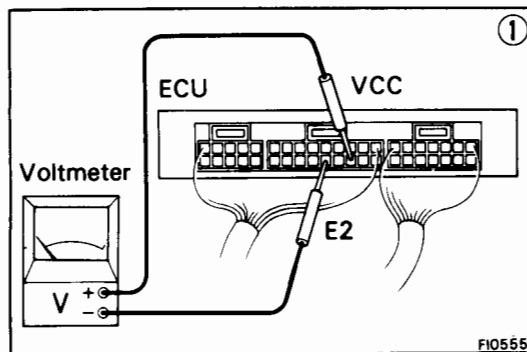
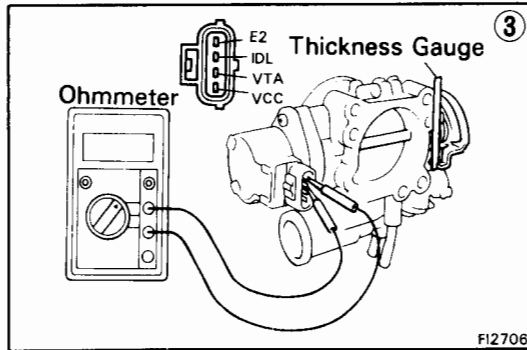
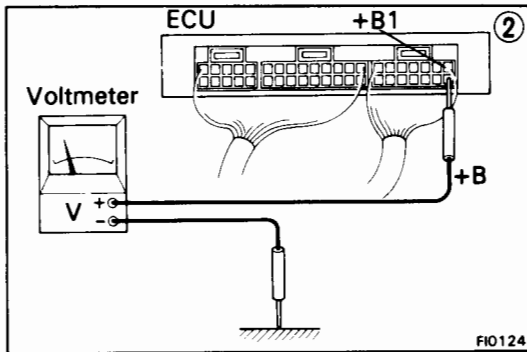
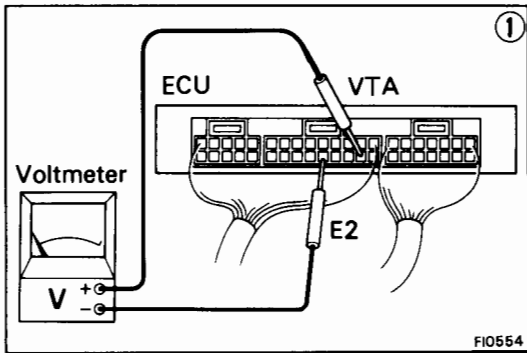
BAD → Repair or replace

③ Check throttle position sensor.

BAD → Repair or replace throttle position sensor.

OK → Check wiring between ECU and throttle position sensor.

OK → Try another ECU



• VTA ↔ E2

```

    graph TD
      A["① There is no specified voltage at ECU terminals VTA and E2.  
(IG S/W ON)"] --> B["② Check that there is voltage between ECU terminal +B1 or +B  
and body ground. (IG S/W ON)"]
      B -- NO --> C["Refer to No. 1 (See page FI-34)"]
      B -- OK --> D["Check wiring between ECU terminal E1 and body  
ground."]
      D -- BAD --> E["Repair or replace"]
      C -- BAD --> E
      C -- OK --> F["③ Check throttle position sensor."]
      F -- BAD --> E
      F -- OK --> G["Check wiring between ECU and  
throttle position sensor."]
      G -- BAD --> E
      G -- OK --> H["Try another ECU."]
    
```

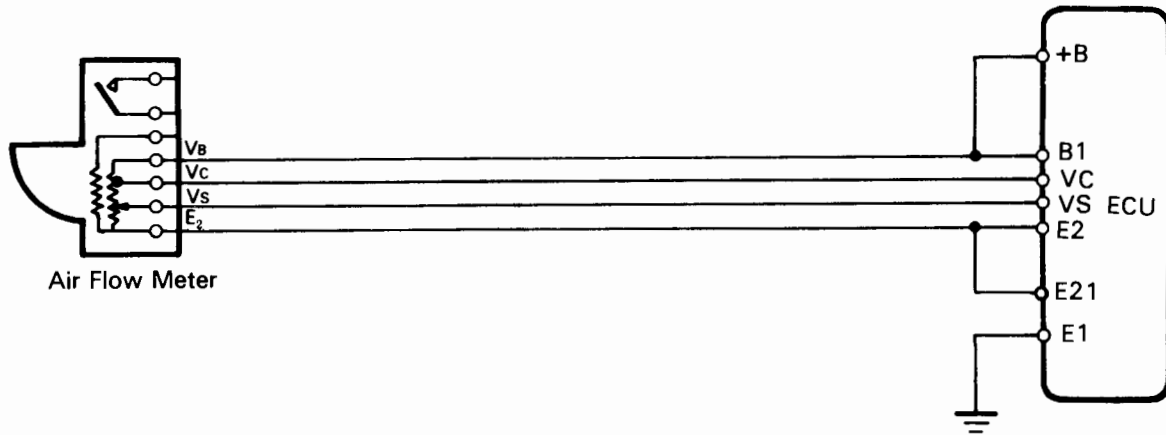
• VCC ↔ E2

```

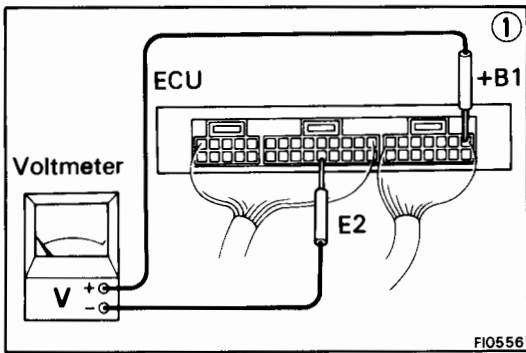
    graph TD
      A["① There is no voltage between ECU terminals VCC and E2.  
(IG S/W ON)"] --> B["Check that there is voltage between ECU terminal +B1 or +B  
and body ground. (IG S/W ON)"]
      B -- NO --> C["Refer to No. 1.  
(See page FI-34)"]
      B -- OK --> D["② Check throttle position  
sensor."]
      D -- BAD --> E["Repair or replace"]
      D -- OK --> F["Check wiring between ECU and  
throttle position sensor."]
      F -- OK --> G["Try another ECU."]
      F -- BAD --> H["Repair or replace  
wiring."]
    
```



No.	Terminals	Trouble	Condition	STD Voltage	
4	+B1 - E2 VC - E2	No voltage	Ignition switch ON	-	10 - 14V
				-	6 - 10V
	VS - E2		Measuring plate fully closed	2 - 5.5V	
			Measuring plate fully open	6 - 9V	
		Idling	-	2 - 8V	



FI2936



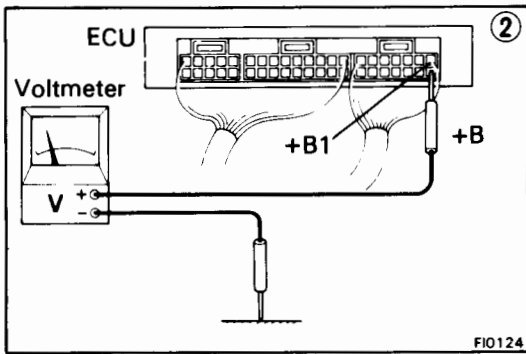
• +B1 ↔ E2

① There is no voltage between computer terminals +B1 and E2. (IG S/W ON)

② Check that there is voltage between computer terminal +B and body ground. (IG S/W ON)

NO  
Refer to No. 1. (See page FI-34)

OK  
Try another computer.



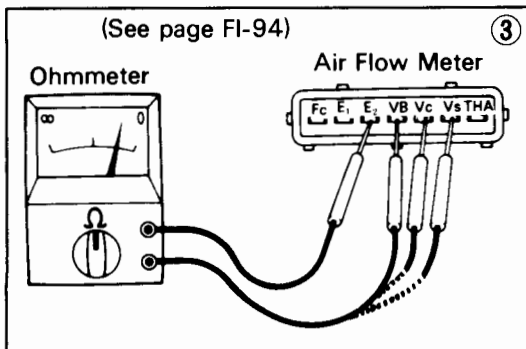
• VC - E2, VS - E2

There is no specified voltage at computer terminals VC and VS. (IG S/W ON)

① Check that there is voltage between computer terminals +B1 and E2. (IG S/W ON)

OK  
③ Check air flow meter.

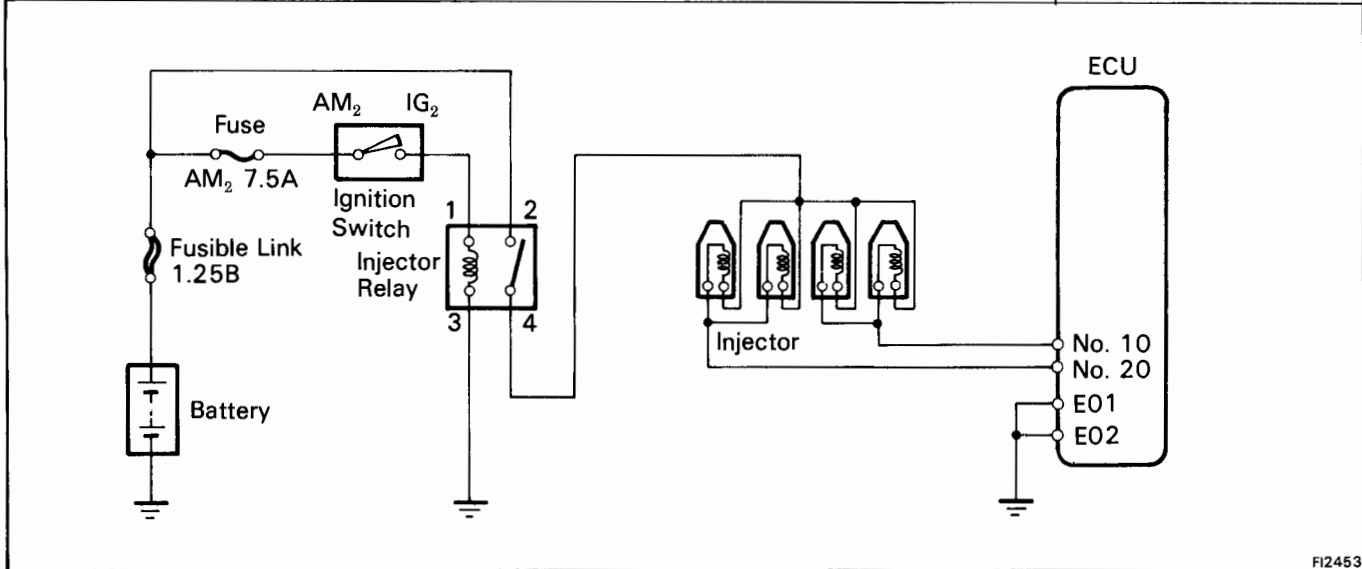
NO  
Refer to No. 1 (See page FI-34)



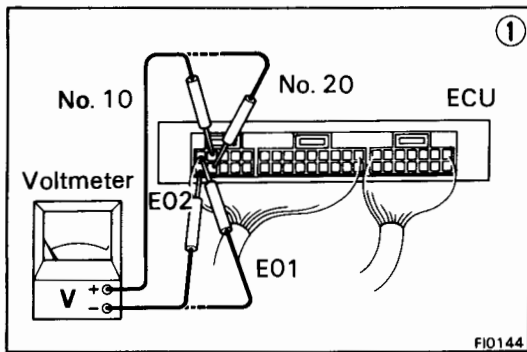
NO  
Repair or replace air flow meter.

OK  
Check wiring between computer and air flow meter.

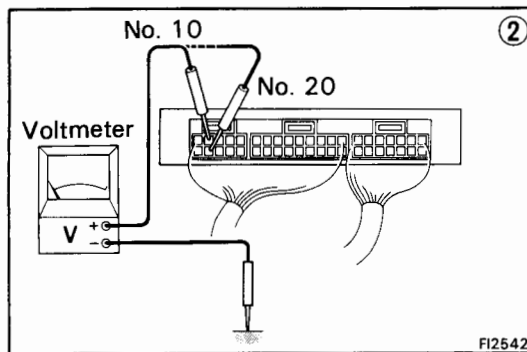
No.	Terminals	Trouble	Condition	STD Voltage
5	No. 10 - E01 No. 20 - E02	No voltage	Ignition switch ON	9 - 14V



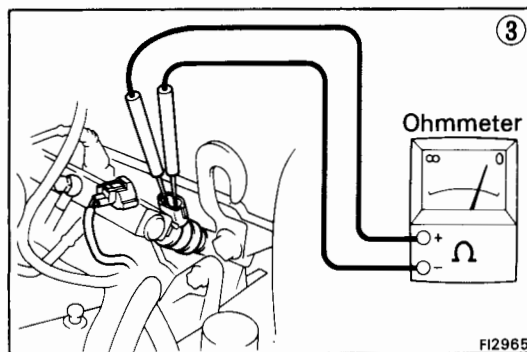
FI2453



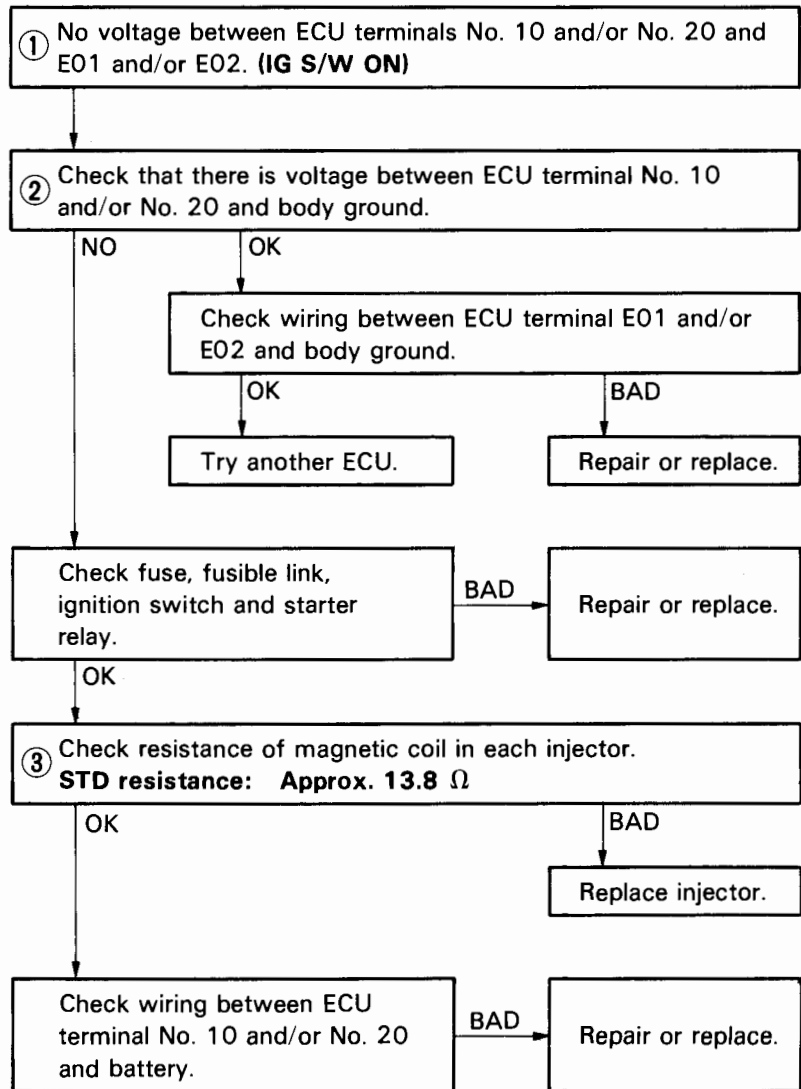
FI0144



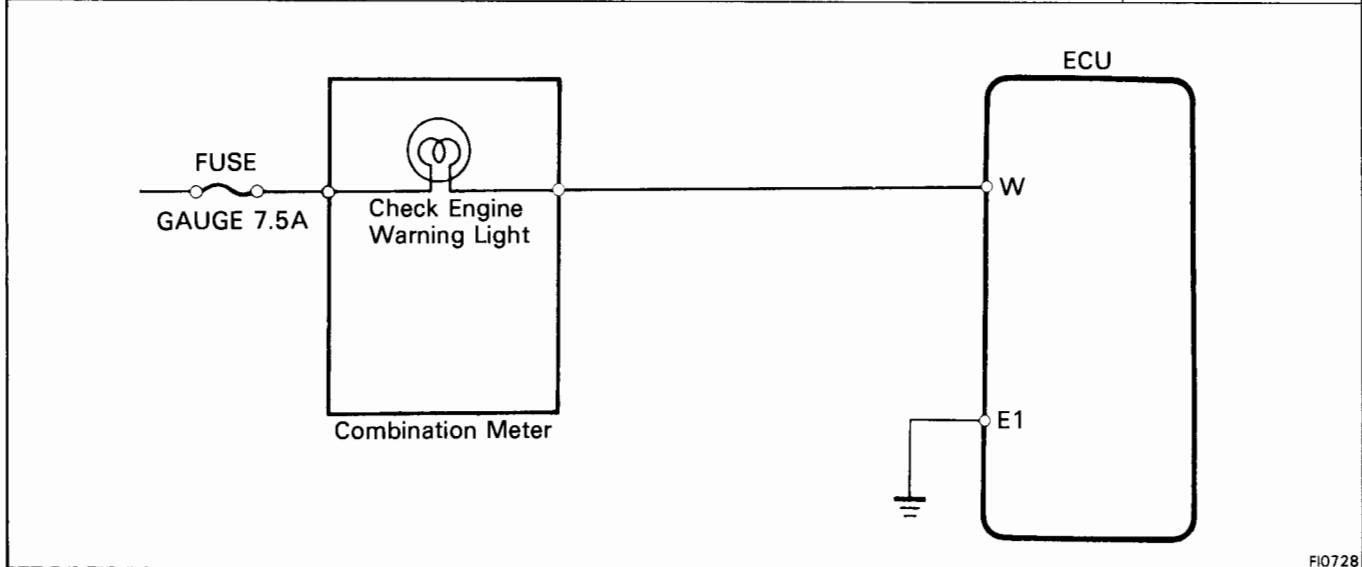
FI2542



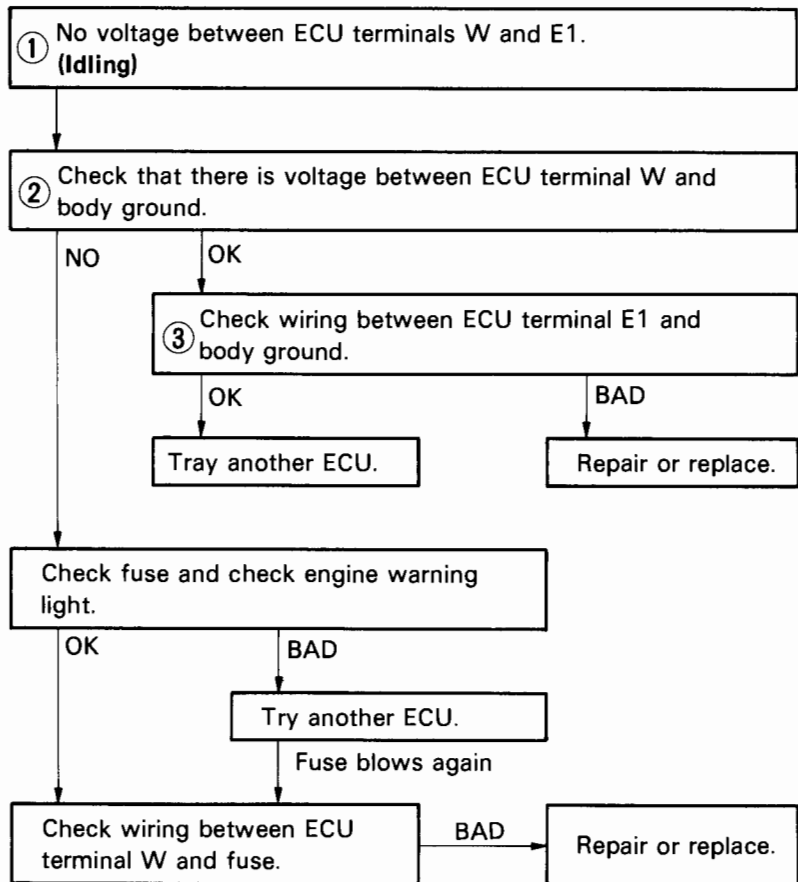
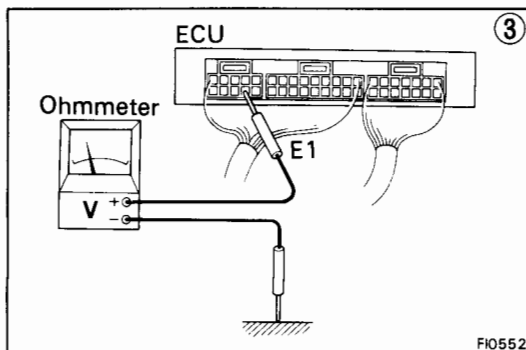
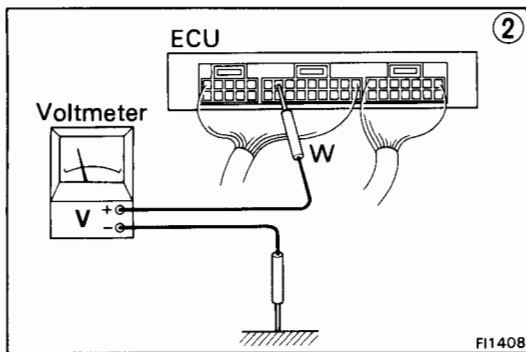
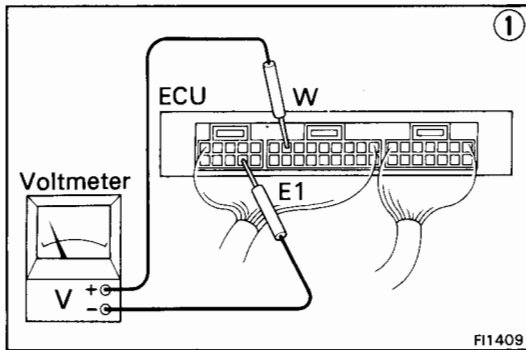
FI2965



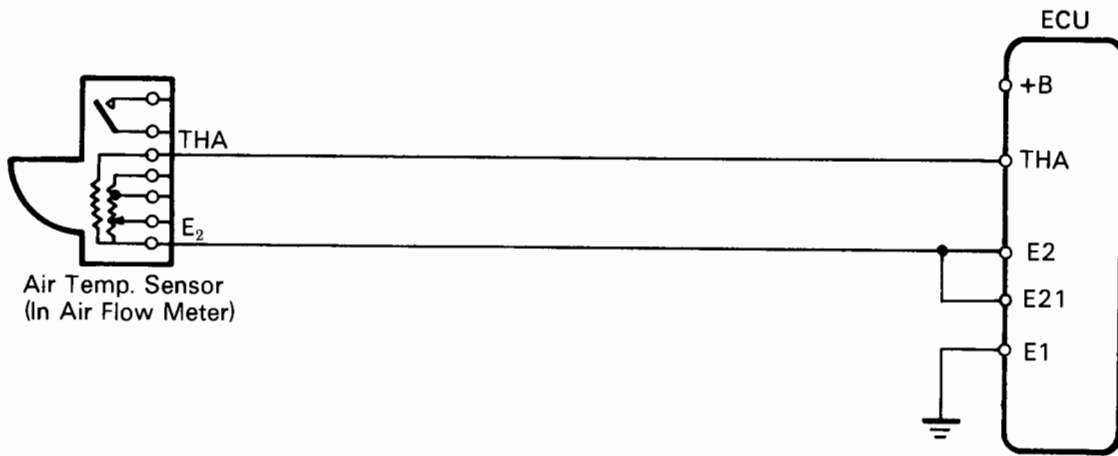
No.	Terminals	Trouble	Condition	STD Voltage
6	W – E1	No voltage	No trouble (check engine warning light off) and engine running.	9 – 14V



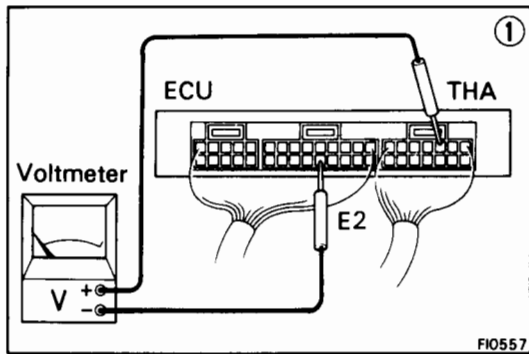
FI0728



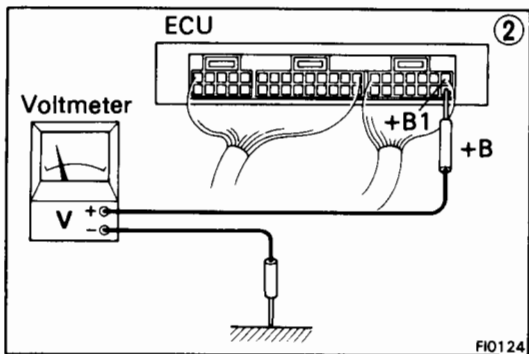
No.	Terminals	Trouble	Condition		STD voltage
7	THA – E2	No voltage	Ignition switch ON	Intake air temperature 20°C (68°F)	1 – 3 V



FI2937



① There is no specified voltage between ECU terminals THA and E2. (IG S/W ON)



② Check that there is voltage between ECU terminal +B1 or +B and body ground. (IG S/W ON)

OK

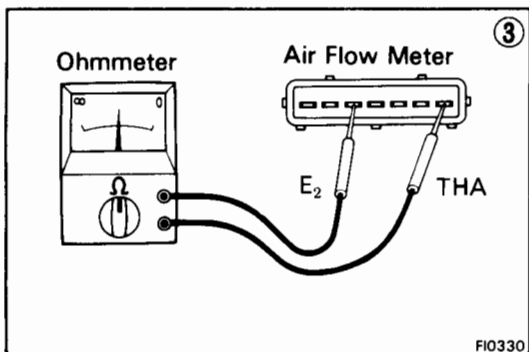
③ Check air temp. sensor.

BAD

Replace air temp. sensor.

NO

Refer to No. 1. (See page FI-34)



OK

Check wiring between ECU and air temperature sensor.

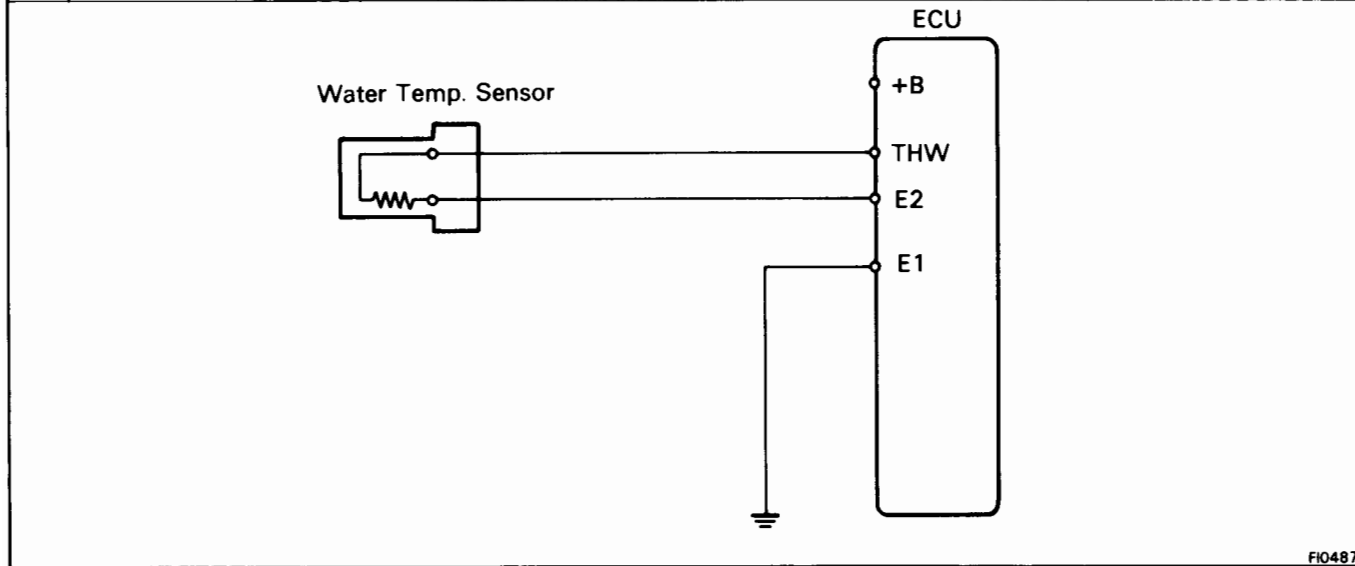
OK

Try another ECU.

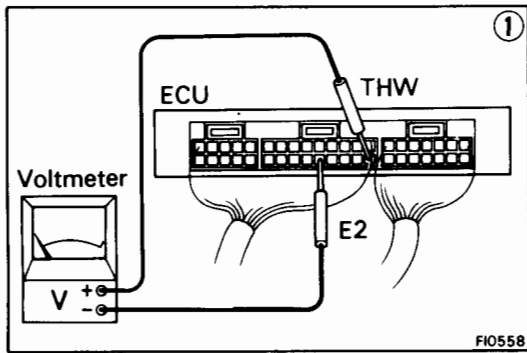
BAD

Repair or replace wiring.

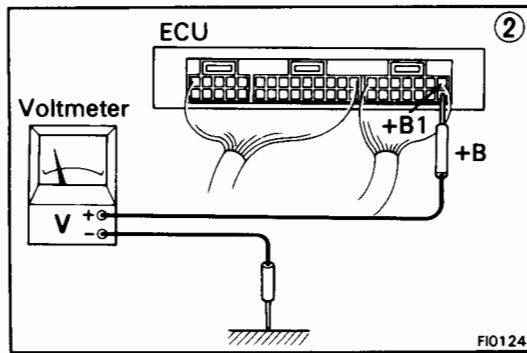
No.	Terminals	Trouble	Condition		STD Voltage
8	THW – E2	No voltage	Ignition switch ON	Coolant temperature 80°C (176°F)	0.1 – 1.0 V



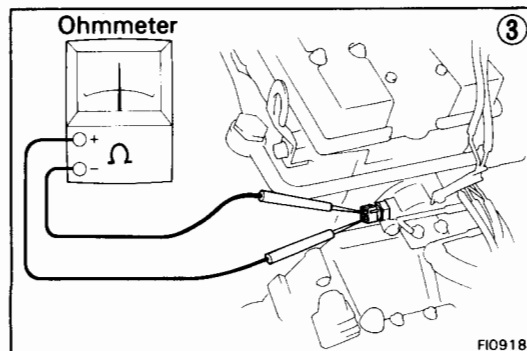
FI0487



FI0558



FI0124



FI0918

① There is no specified voltage between ECU terminals THW and E2. (IG S/W ON)

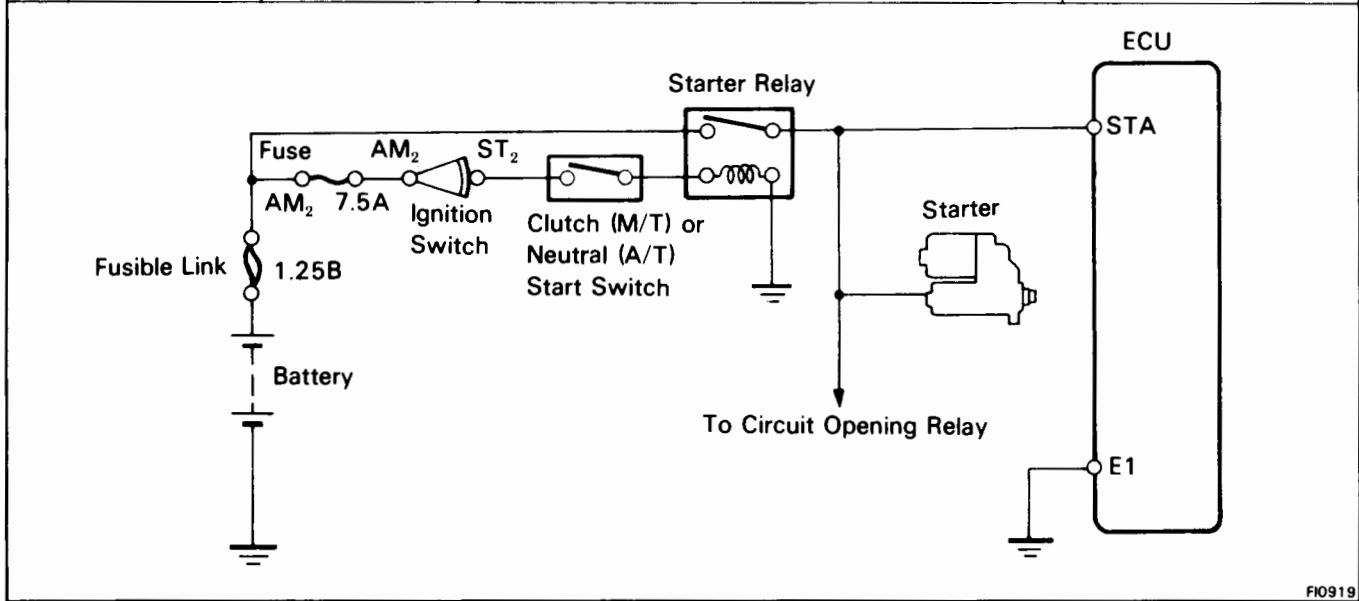
② Check that there is voltage between ECU terminal +B1 or +B and body ground. (IG S/W ON)

OK → ③ Check water temp. sensor.  
 NO → Refer to No. 1. (See page FI-34)

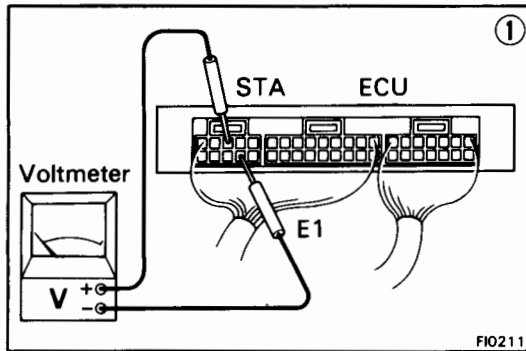
BAD → Replace water temp. sensor.  
 OK → Check wiring between ECU and air temp. sensor.

OK → Try another ECU.  
 BAD → Repair or replace wiring.

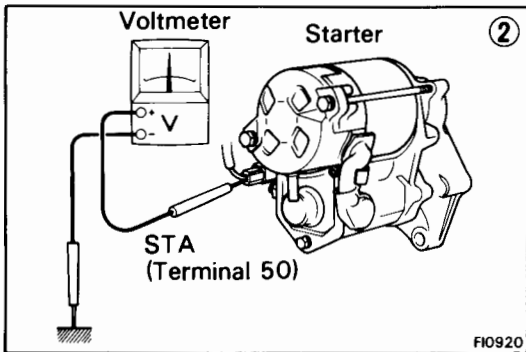
No.	Terminals	Trouble	Condition	STD Voltage
9	STA - E1	No voltage	Ignition switch ST position	6 - 14 V



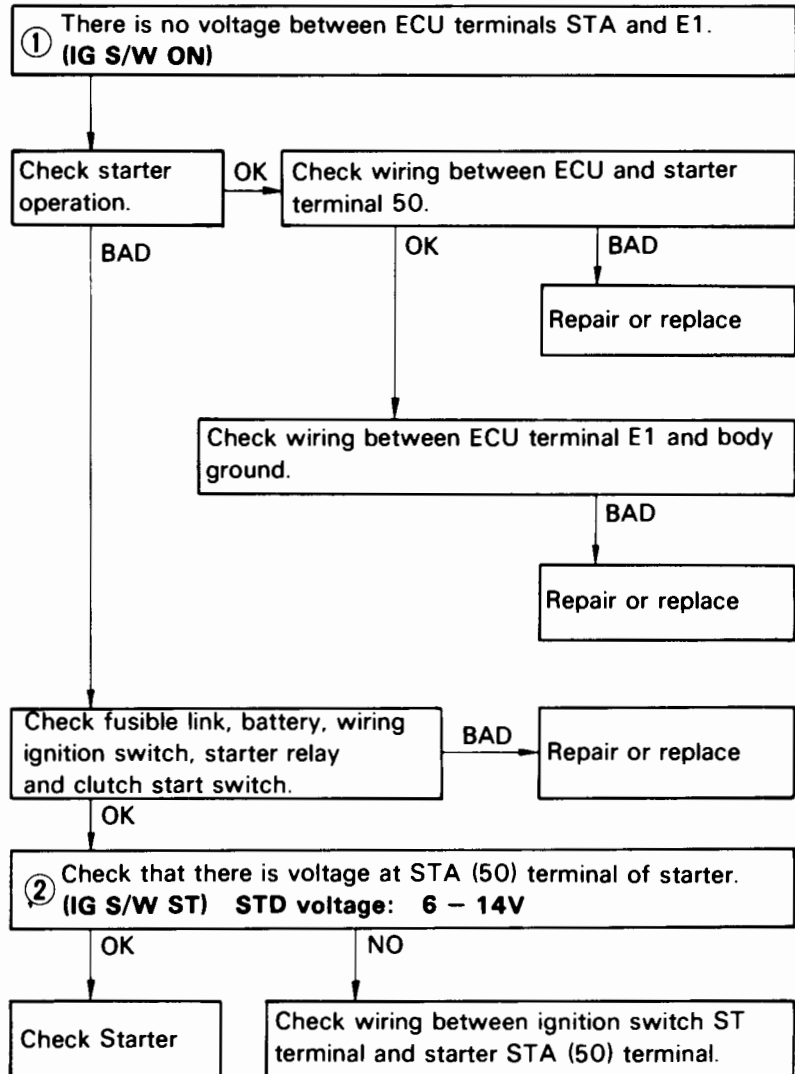
FI0919



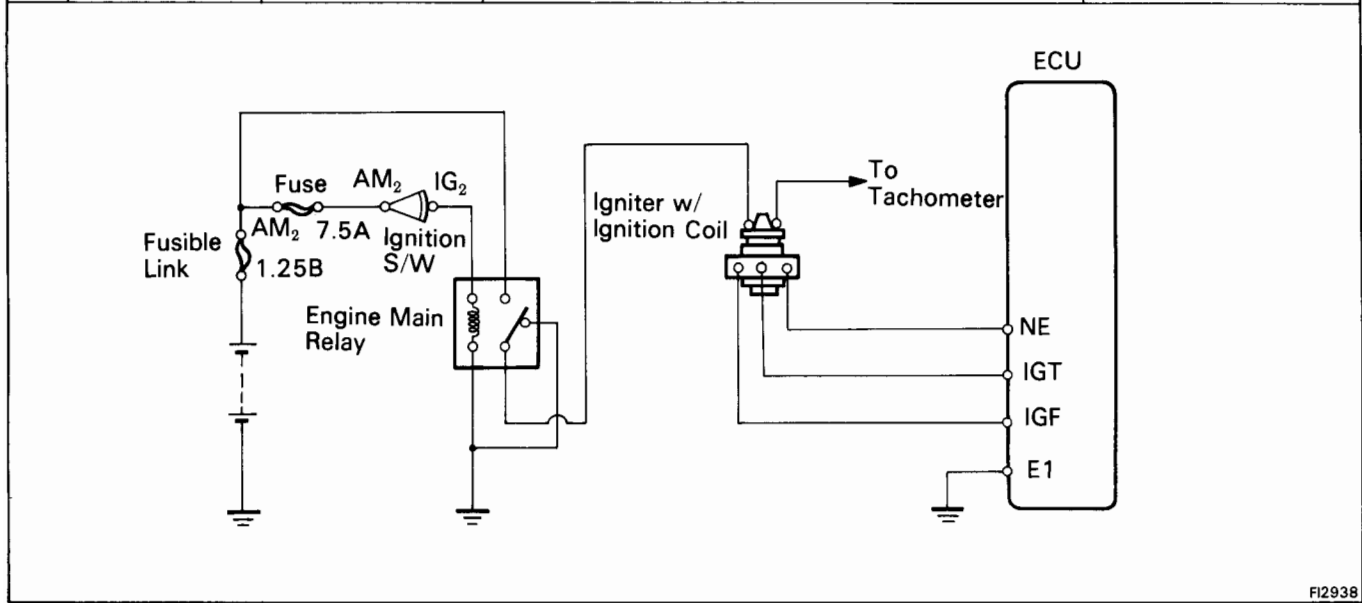
FI0211



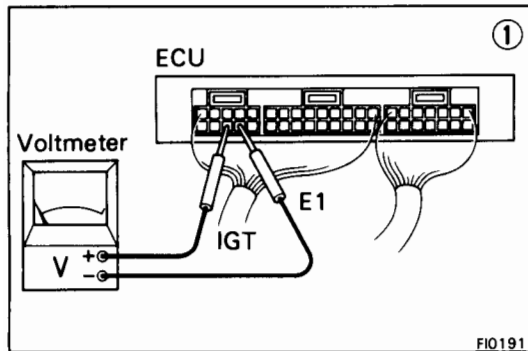
FI0920



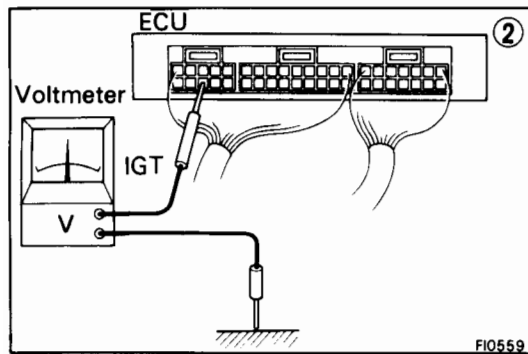
No.	Terminals	Trouble	Condition	STD Voltage
10	IGT - E <sub>1</sub>	No voltage	Idling	0.7 - 1.0 V



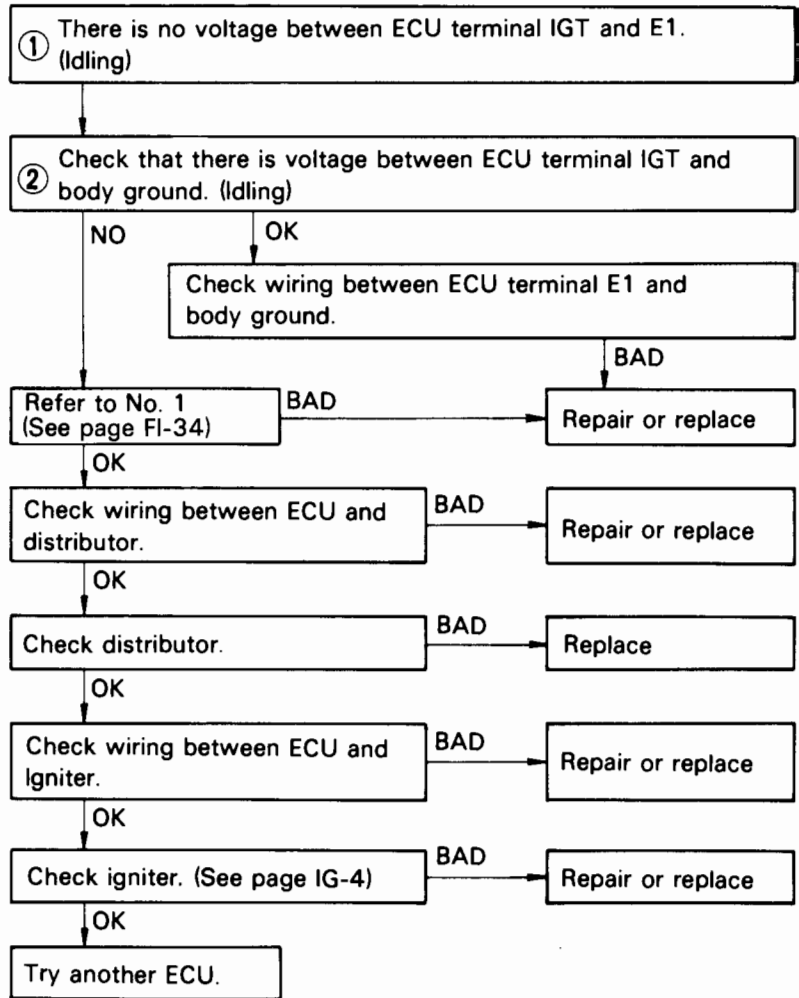
FI2938



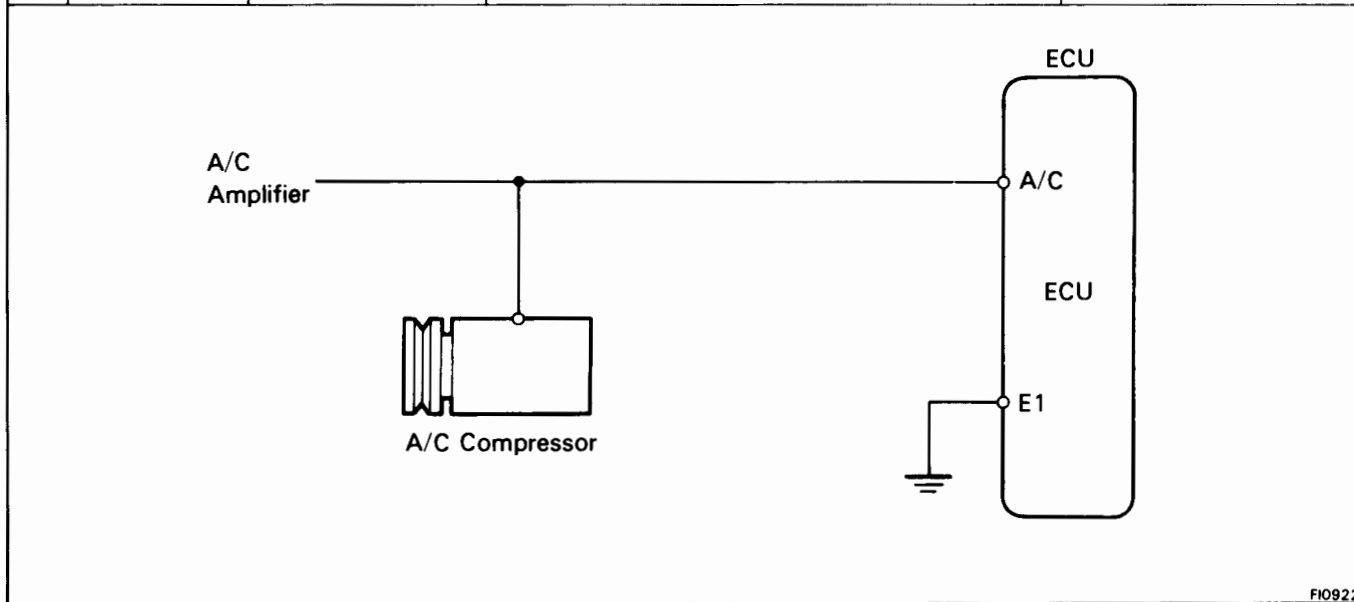
FI0191



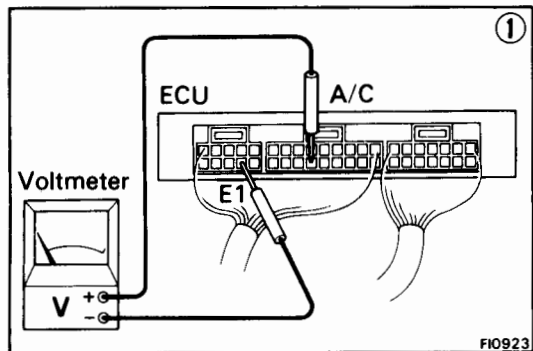
FI0559



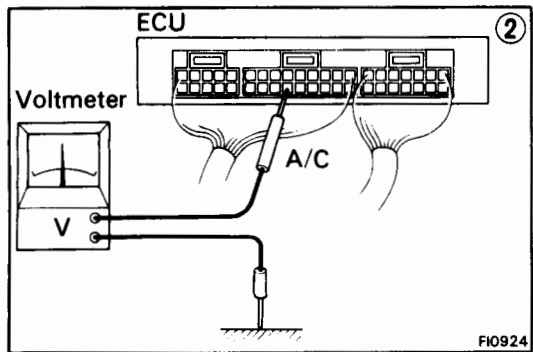
No.	Terminals	Trouble	Condition	STD Voltage
11	A/C — E1	No voltage	Air conditioning ON	5 — 14 V



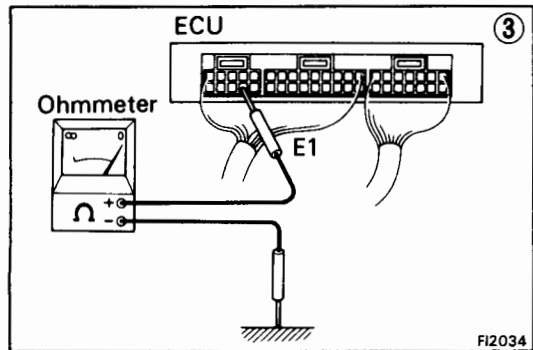
FI0922



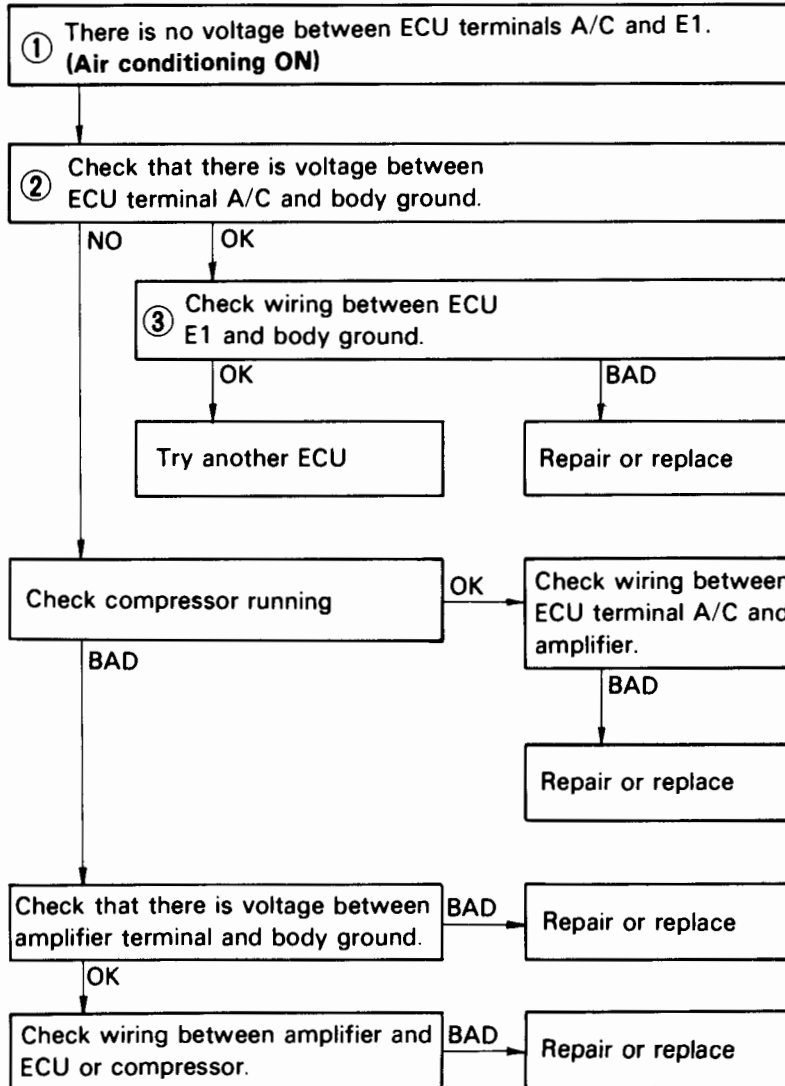
FI0923



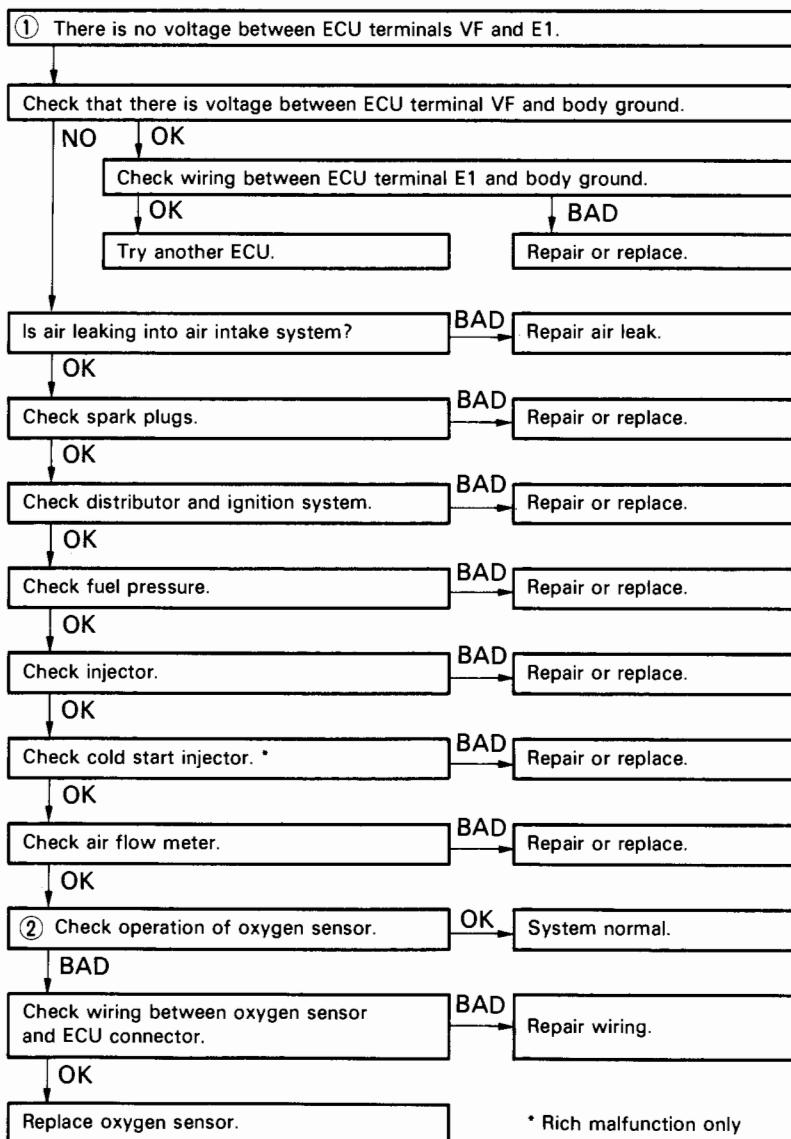
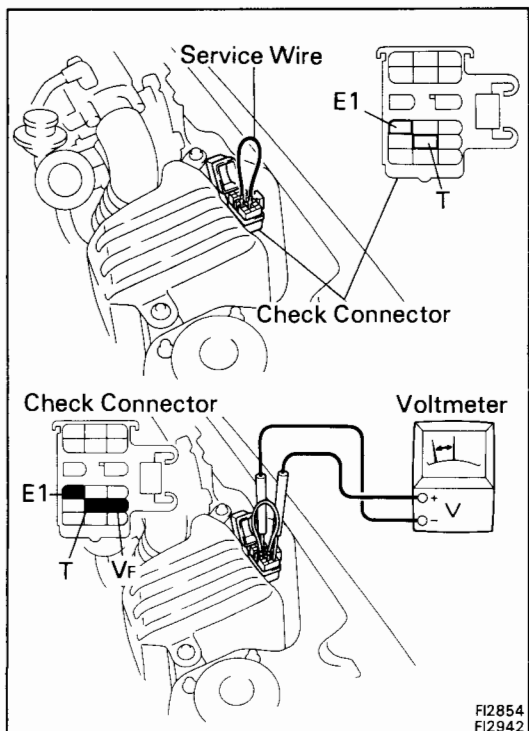
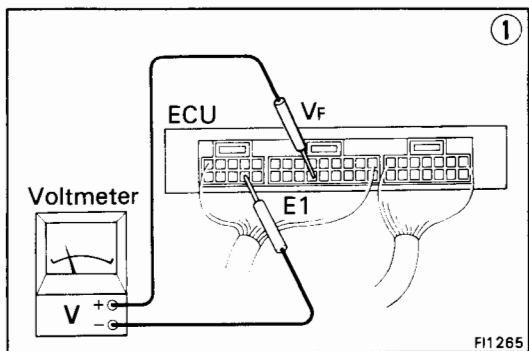
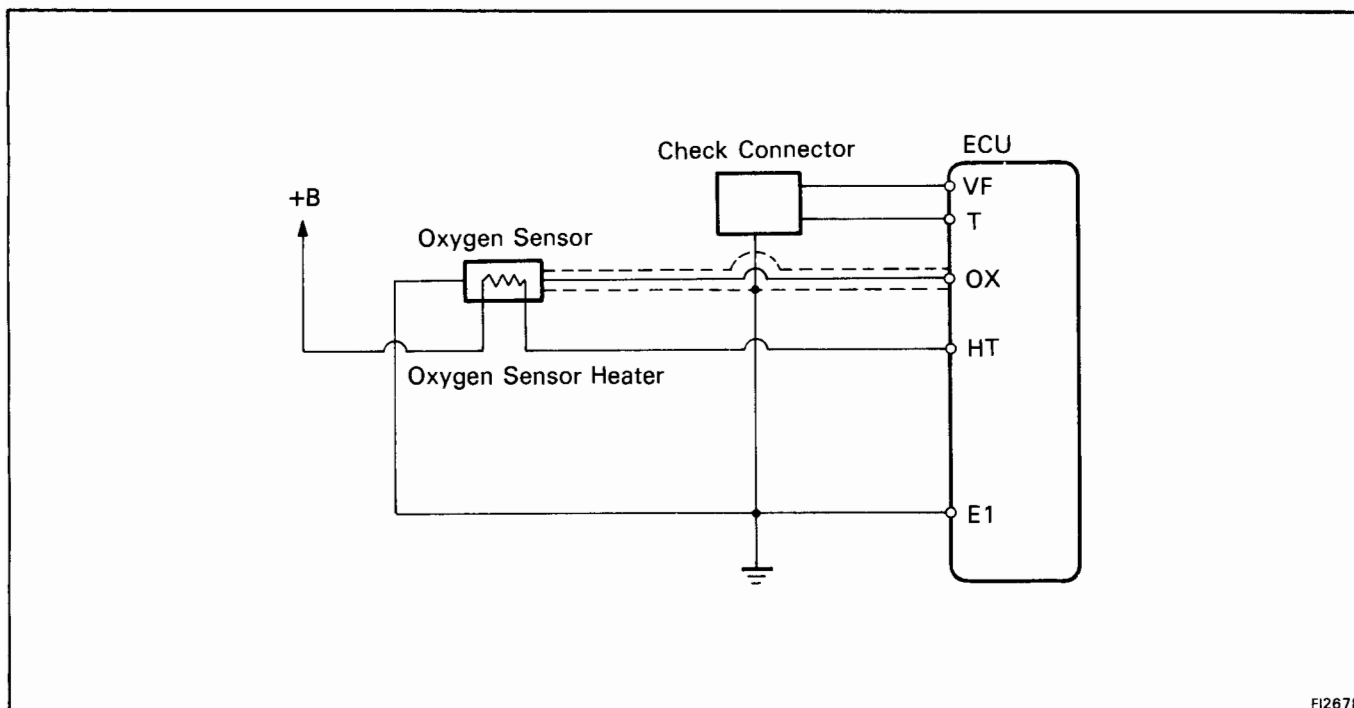
FI0924



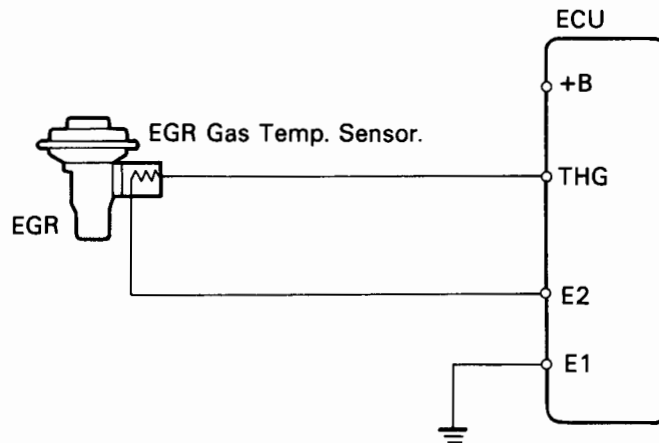
FI2034



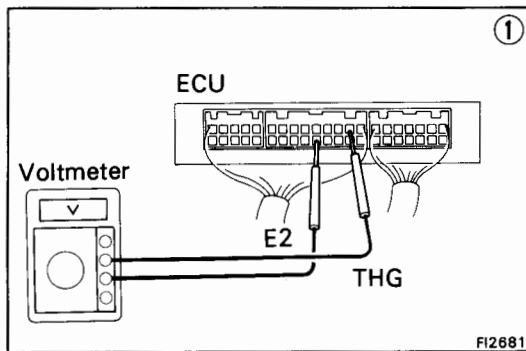




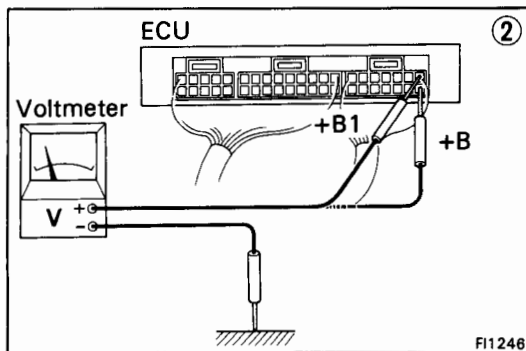
California



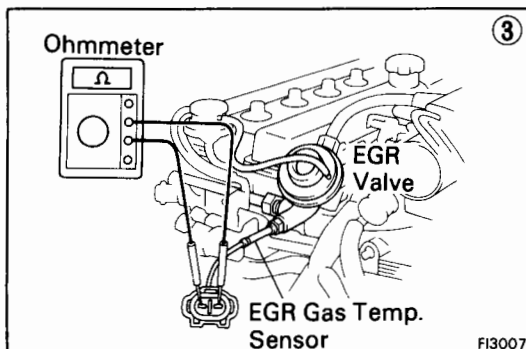
FI2680



FI2681



FI1248



FI3007

```

    graph TD
      Step1["① No voltage between ECU terminals THG and E2.  
(Engine running at 2,000 rpm)"]
      Step2["② Check that there is voltage between ECU terminal +B or +B1  
and body ground. (IG S/W ON)"]
      Step3["③ Check EGR gas temp. sensor."]
      
      Step1 --> Step2
      Step2 -- NO --> RefNo1["Refer to No. 1  
(See page FI-34)"]
      Step2 -- OK --> CheckE1["Check wiring between ECU terminal E1 and body ground."]
      CheckE1 -- BAD --> Repair1["Repair or replace."]
      CheckE1 -- OK --> CheckEGR["Check EGR system."]
      CheckEGR -- BAD --> Repair1
      CheckEGR -- OK --> Step3
      
      Step3 -- BAD --> ReplaceSensor["Replace EGR gas temp.  
sensor."]
      Step3 -- OK --> CheckWiring["Check wiring between ECU and  
EGR gas temp. sensor."]
      CheckWiring -- BAD --> Repair2["Repair or replace."]
      CheckWiring -- OK --> TryECU["Try another ECU."]
  
```

## TROUBLESHOOTING EFI ELECTRONIC CIRCUIT WITH VOLT/OHMMETER (4A-GZE)

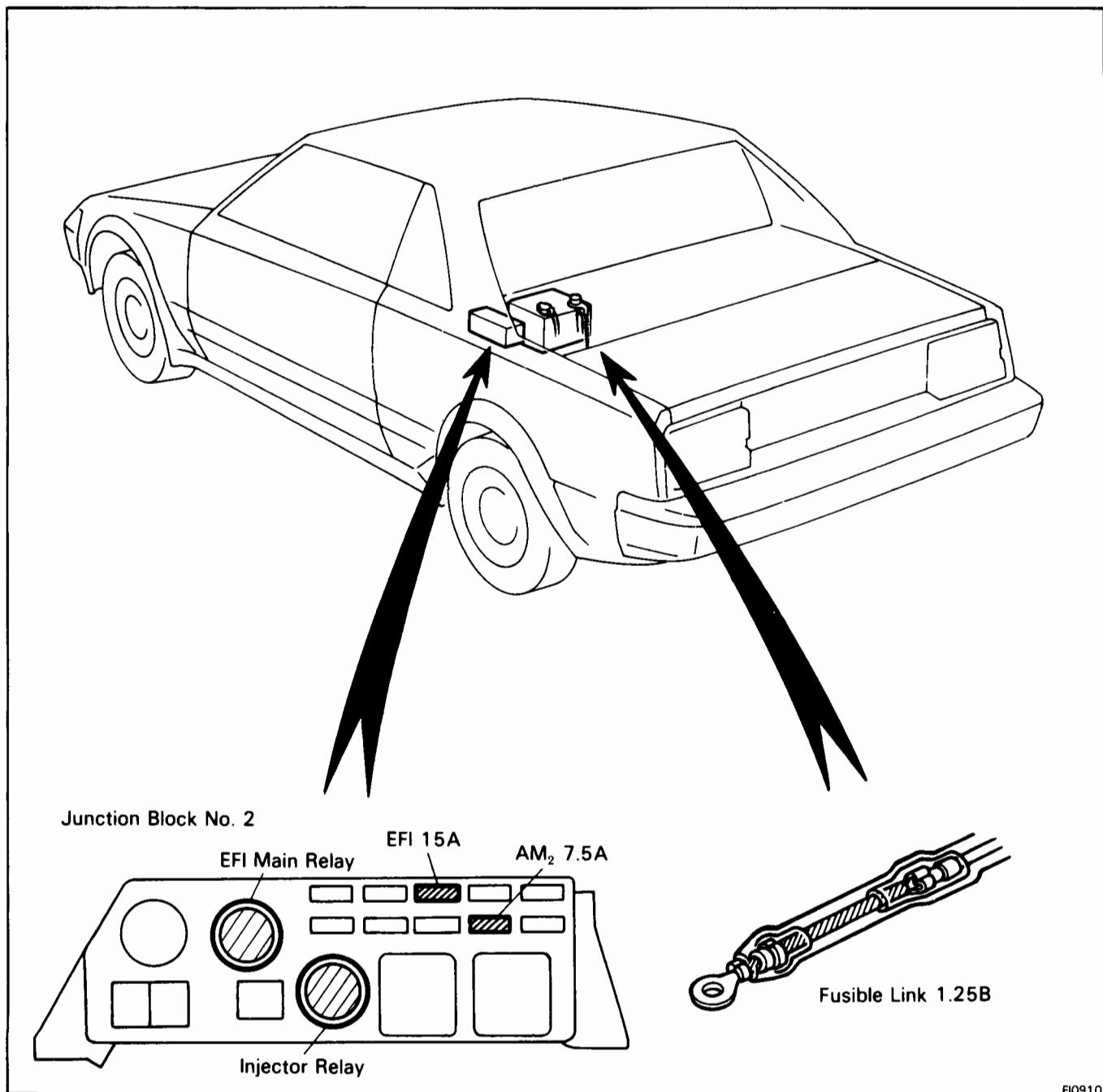
**NOTE:** The following troubleshooting procedures are designed for inspection of each separate system, and therefore the actual procedure may vary somewhat. However, troubleshooting should be performed by referring to the inspection methods described in this manual.

Before beginning inspection, it is best to first make a simple check of the fuses, fusible links and the condition of the connectors.

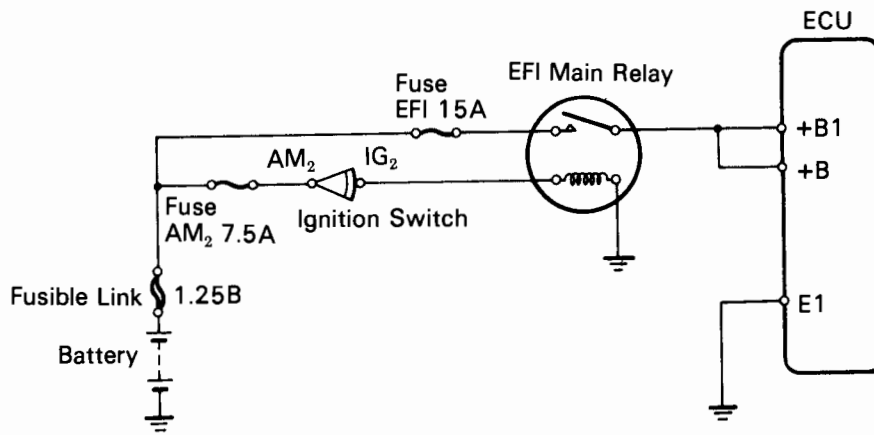
The following troubleshooting procedures are based on the supposition that the trouble lies in either a short or open circuit in a component outside the computer or a short circuit within the computer.

If engine trouble occurs even though proper operating voltage is detected in the computer connector, then the computer is faulty and should be replaced.

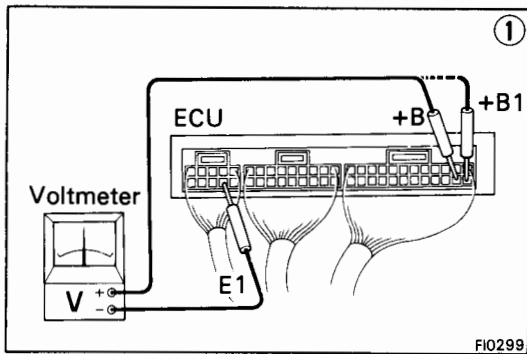
### LOCATION OF FUSES AND FUSIBLE LINKS



No.	Terminals	Trouble	Condition	STD Voltage
1	+B1 +B - E1	No voltage	Ignition switch ON	10 - 14 V



FI2852



① There is no voltage between ECU terminal +B1 or +B and E1. (IG S/W ON)

② Check that there is voltage between ECU terminals +B1 or +B and body ground. (IG S/W ON)

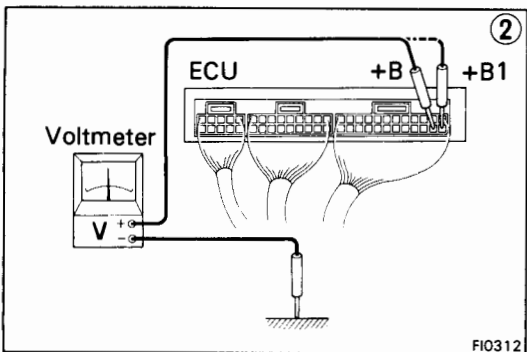
NO

OK

③ Check wiring between ECU terminal E1 and body ground

BAD

Repair or replace



Check fuse, fusible link and wiring harness.

BAD

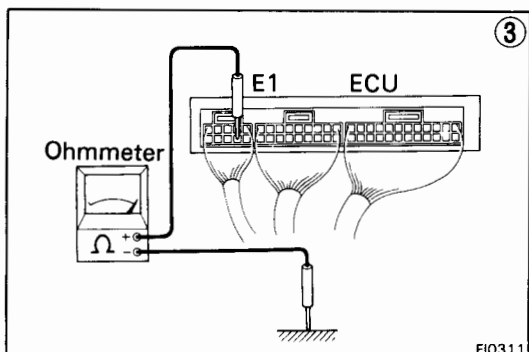
Repair or replace

OK

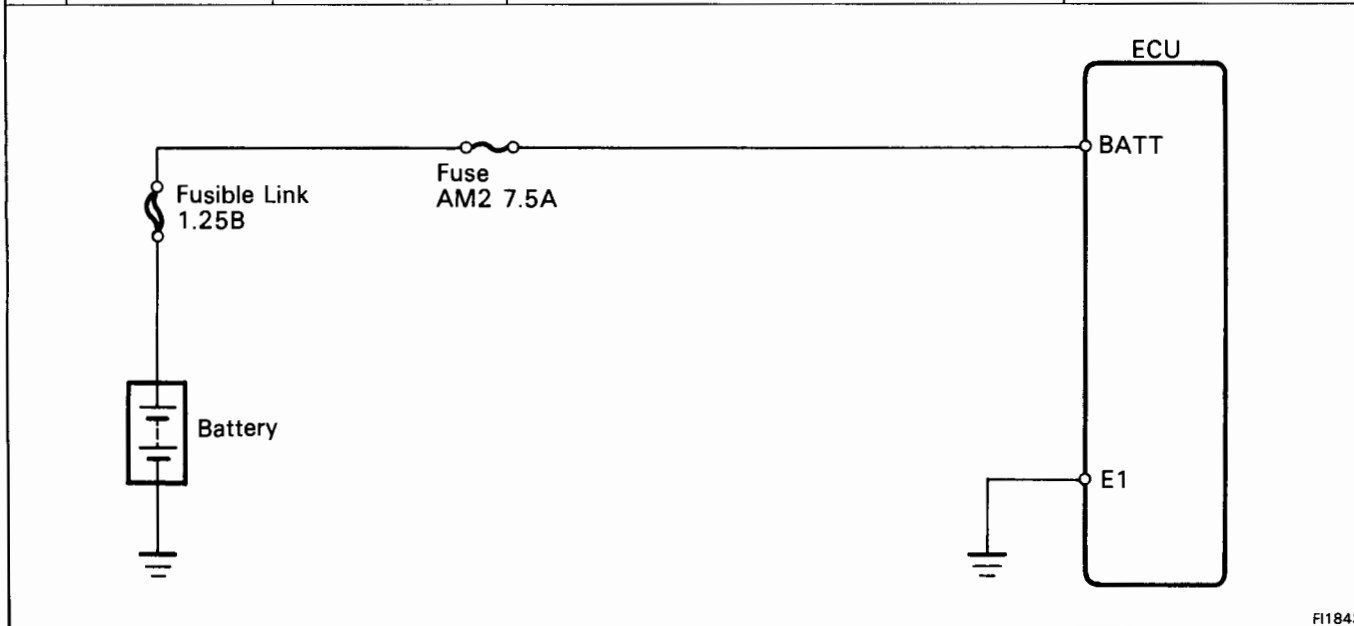
Check EFI main relay.

BAD

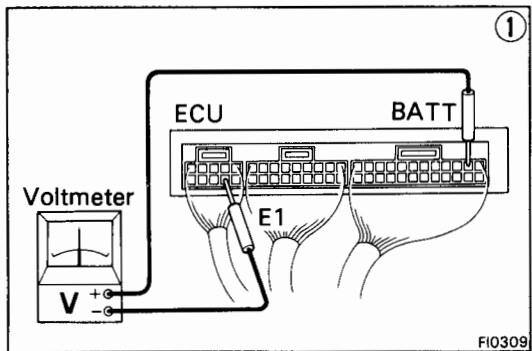
Replace



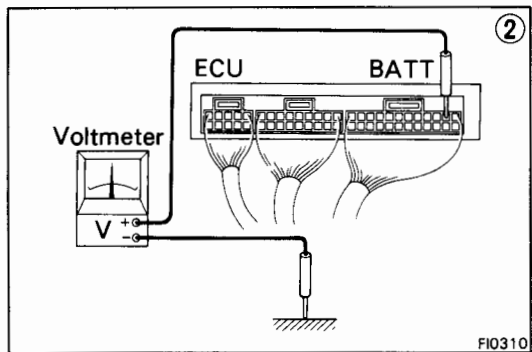
No.	Terminals	Trouble	Condition	STD Voltage
2	BATT — E1	No voltage	—	10 — 14 V



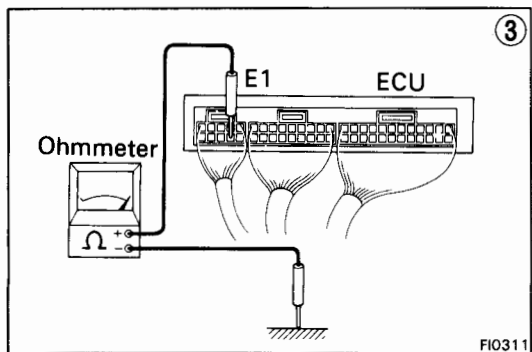
FI1843



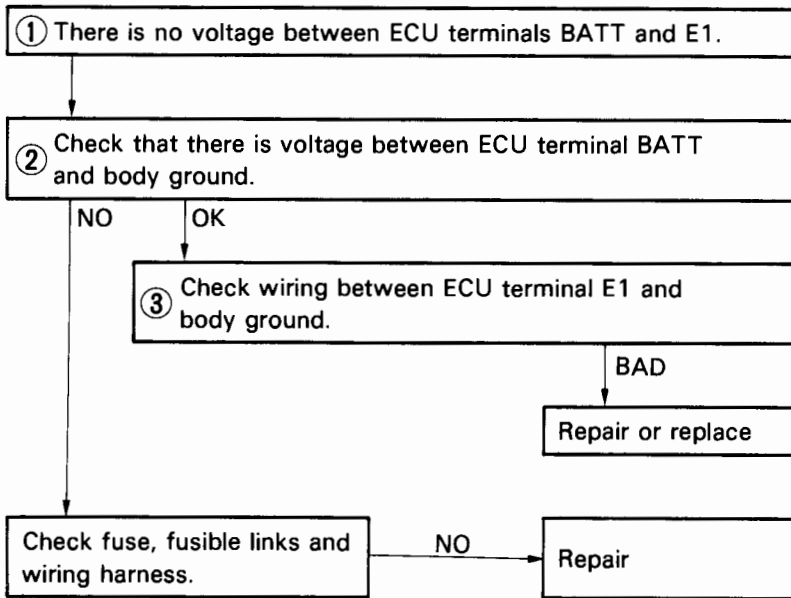
FI0309



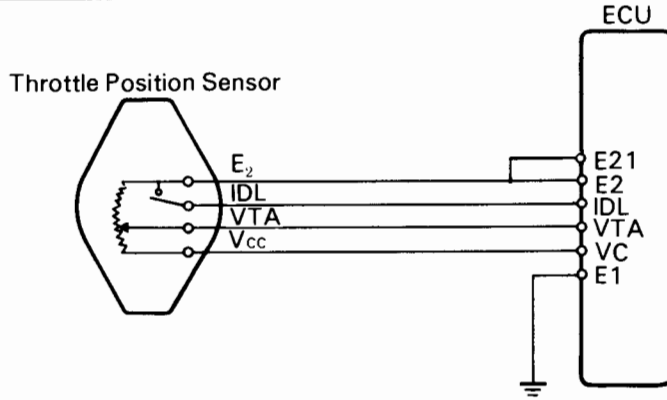
FI0310



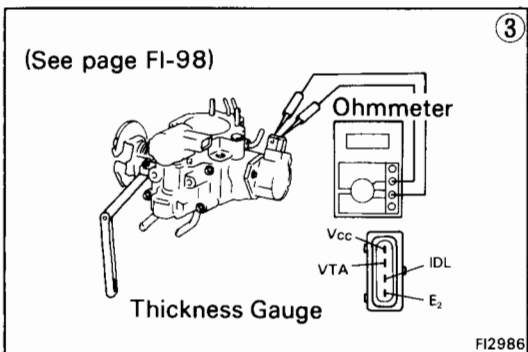
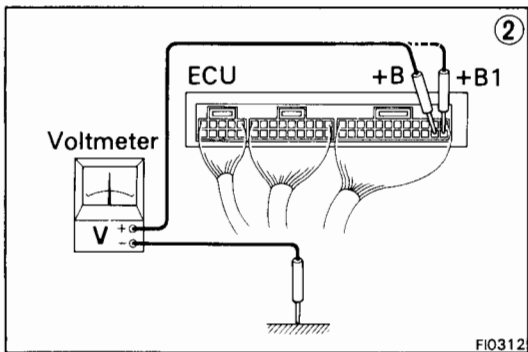
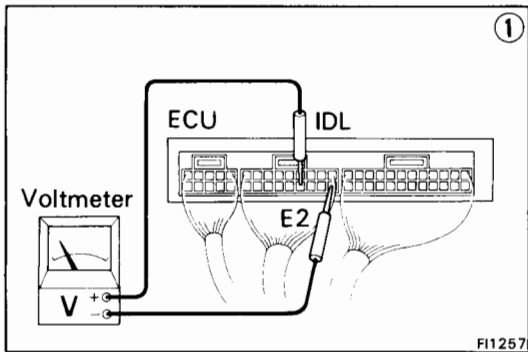
FI0311



No.	Terminals	Trouble	Condition	STD Voltage	
3	IDL - E2	No voltage	Ignition switch ON	Throttle valve open	M/T 4 - 5 V A/T 10 - 14 V
	VTA - E2			Throttle valve fully closed	0.1 - 1.0 V
	VC - E2			Throttle valve fully open	4 - 5 V
				-	4 - 6 V



FI0485



• IDL → E2

① There is no voltage between ECU terminals IDL and E2. (IG S/W ON) (Throttle valve open)

② Check that there is voltage between ECU terminal +B1 or +B and body ground. (IG S/W ON)

NO

OK

Check wiring between ECU terminal E1 and body ground.

BAD

Repair or replace

Refer to No. 1 (See page FI-49)

BAD

Repair or replace

OK

③ Check throttle position sensor.

BAD

Repair or replace throttle position sensor.

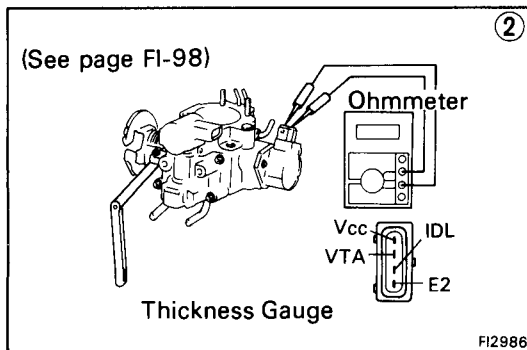
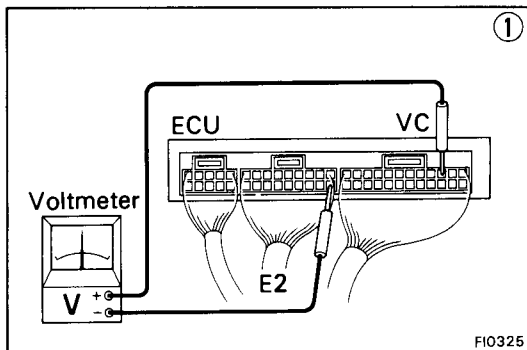
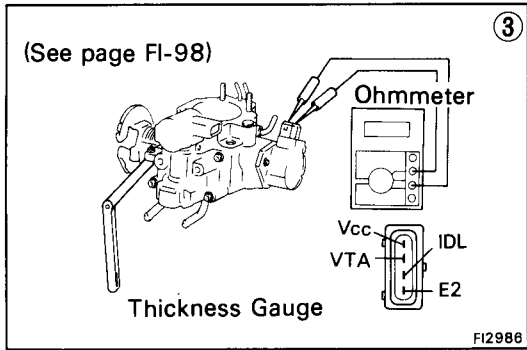
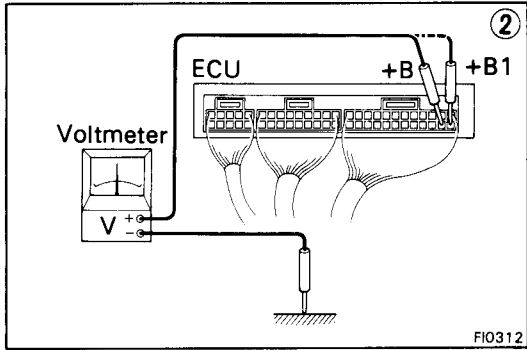
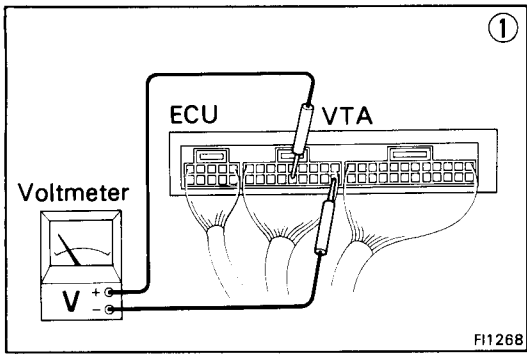
OK

Check wiring between ECU and throttle position sensor.

BAD

OK

Try another ECU



• VTA ↔ E2

```

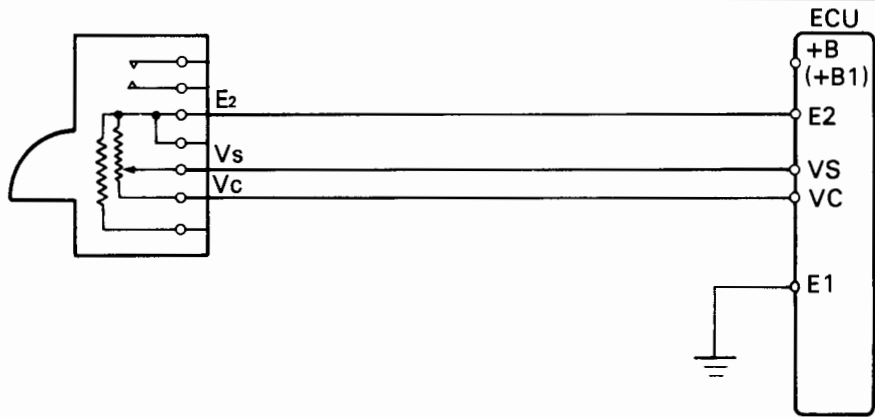
    graph TD
      A["① There is no specified voltage at ECU terminals VTA and E2.  
(IG S/W ON)"] --> B["② Check that there is voltage between ECU terminal +B1 or +B  
and body ground. (IG S/W ON)"]
      B -- NO --> C["Refer to No. 1 (See Page FI-49)"]
      B -- OK --> D["Check wiring between ECU terminal E1 and body  
ground."]
      D -- BAD --> E["Repair or replace"]
      C -- BAD --> E
      C -- OK --> F["③ Check throttle position sensor."]
      F -- BAD --> E
      F -- OK --> G["Check wiring between ECU and  
throttle position sensor."]
      G -- BAD --> E
      G -- OK --> H["Try another ECU."]
    
```

• VC ↔ E2

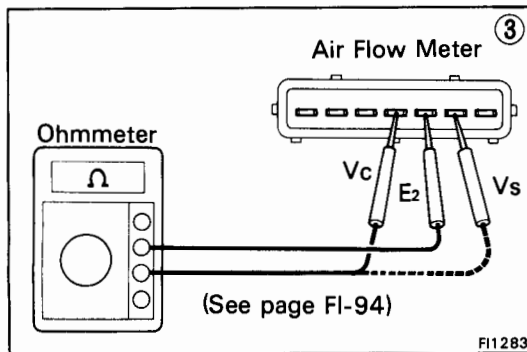
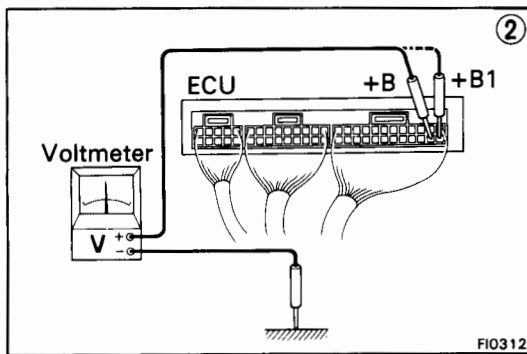
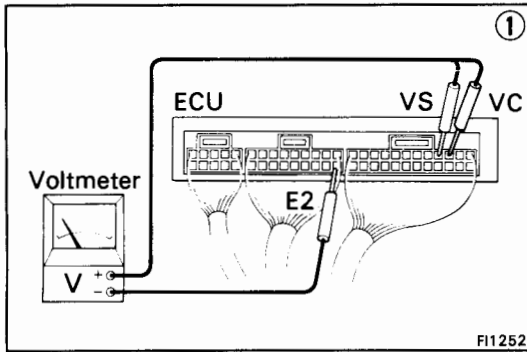
```

    graph TD
      A["① There is no voltage between ECU terminals VC and E2.  
(IG S/W ON)"] --> B["Check that there is voltage between ECU terminal +B1 or +B  
and body ground. (IG S/W ON)"]
      B -- OK --> C["② Check throttle position  
sensor."]
      B -- NO --> D["Refer to No. 1.  
(See page FI-49)"]
      C -- BAD --> E["Repair or replace"]
      C -- OK --> F["Check wiring between ECU and  
throttle position sensor."]
      F -- OK --> G["Try another ECU."]
      F -- BAD --> H["Repair or replace  
wiring."]
    
```

No.	Terminals	Trouble	Condition	STD Voltage	
4	Vc - E2	No voltage	IG S/W ON	—	4 - 6V
	Vs - E2			Measuring plate fully closed	4 - 5 V
				Measuring plate fully open	0.02 - 0.5 V
			Idling	—	2 - 4V



FI1269



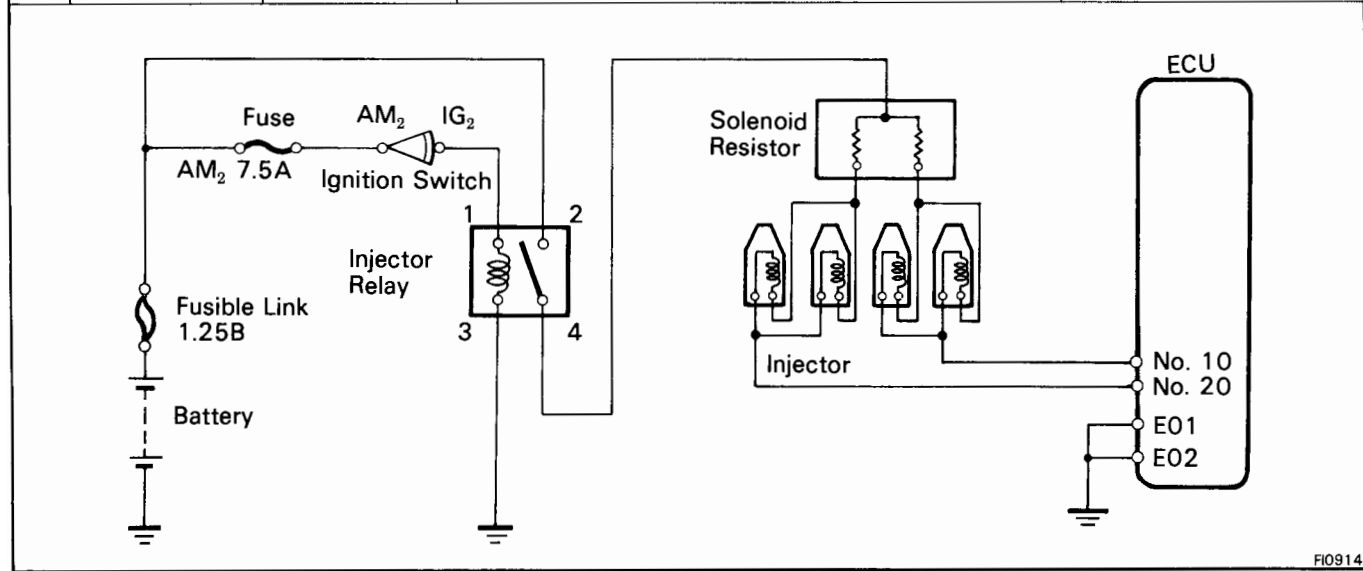
• VC - E2, VS - E2

```

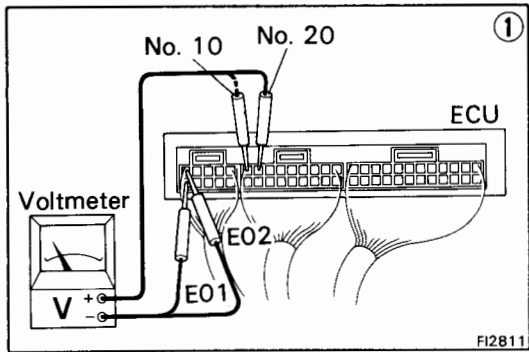
    graph TD
      A["① No specified voltage at ECU terminals Vc or Vs and E2.  
(IG S/W ON)"] --> B["② Check that there is voltage between ECU terminal +B or +B1 and body ground. (IG S/W ON)"]
      B -- NO --> C["Refer to No. 1  
(See page FI-49)"]
      B -- OK --> D["Check wiring between ECU terminal E1 and body ground."]
      D -- BAD --> E["Repair or replace."]
      D -- OK --> F["③ Check air flow meter."]
      F -- BAD --> G["Repair or replace air flow meter."]
      F -- OK --> H["Check wiring between ECU and air flow meter."]
      H -- BAD --> I["Repair or replace."]
      H -- OK --> J["Try another ECU."]
    
```



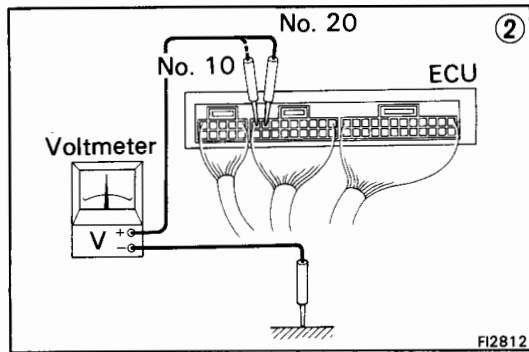
No.	Terminals	Trouble	Condition	STD Voltage
5	No. 10 - E No. 20 - E	No voltage	Ignition switch ON	9 - 14V



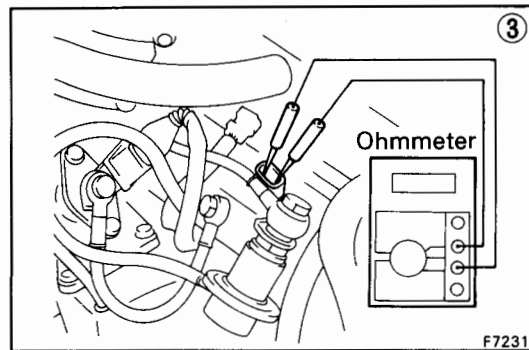
FI0914



FI2811



FI2812



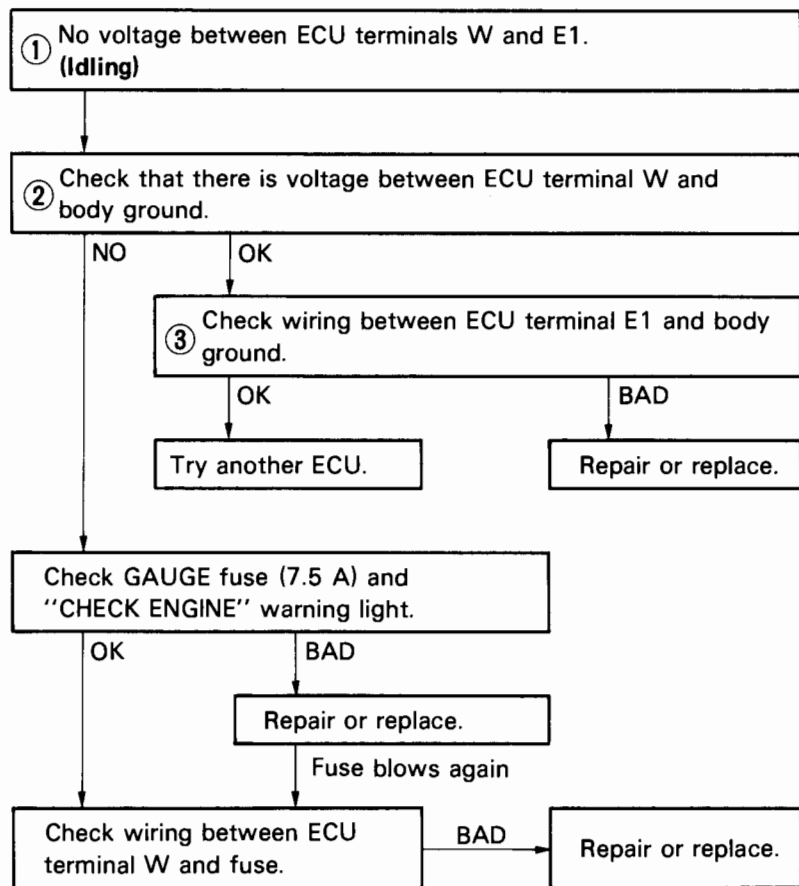
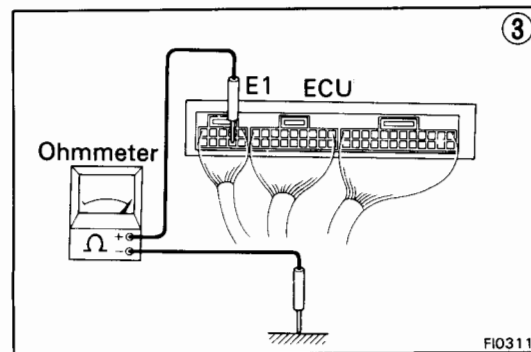
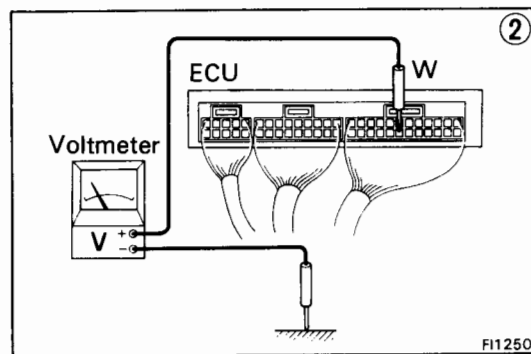
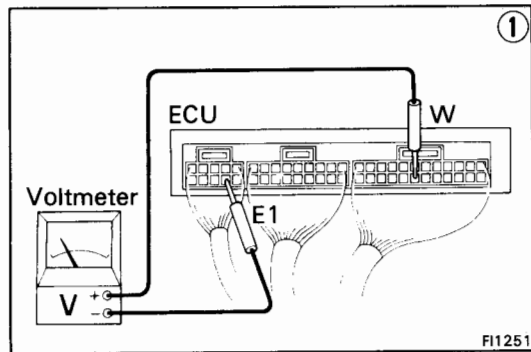
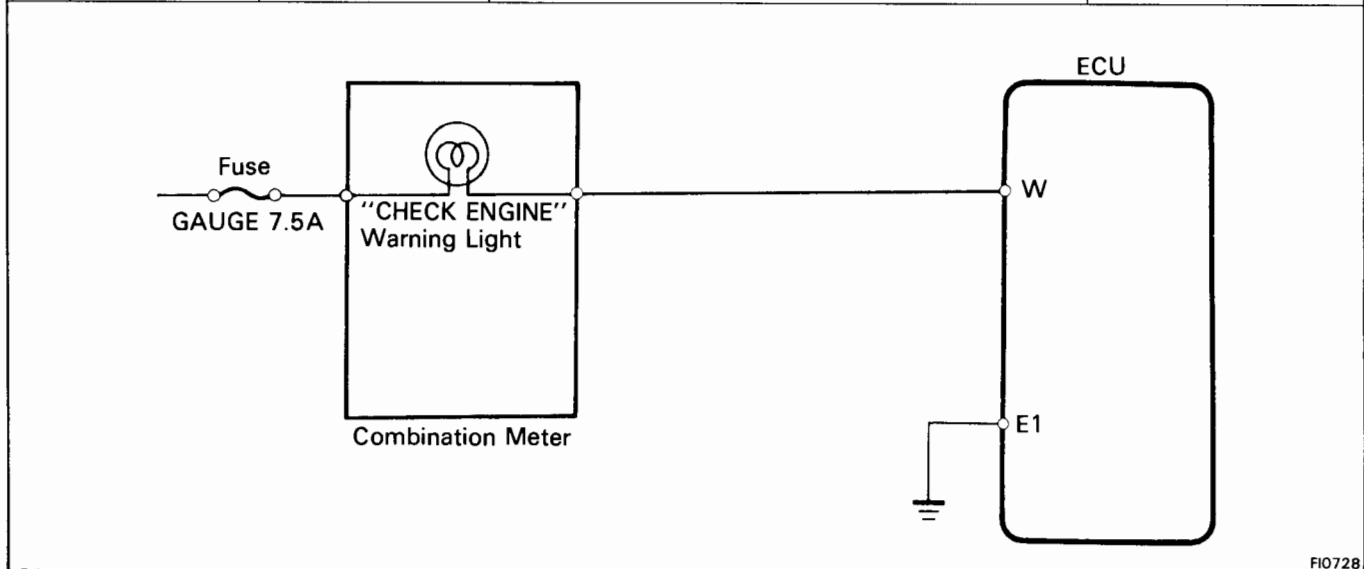
F7231

```

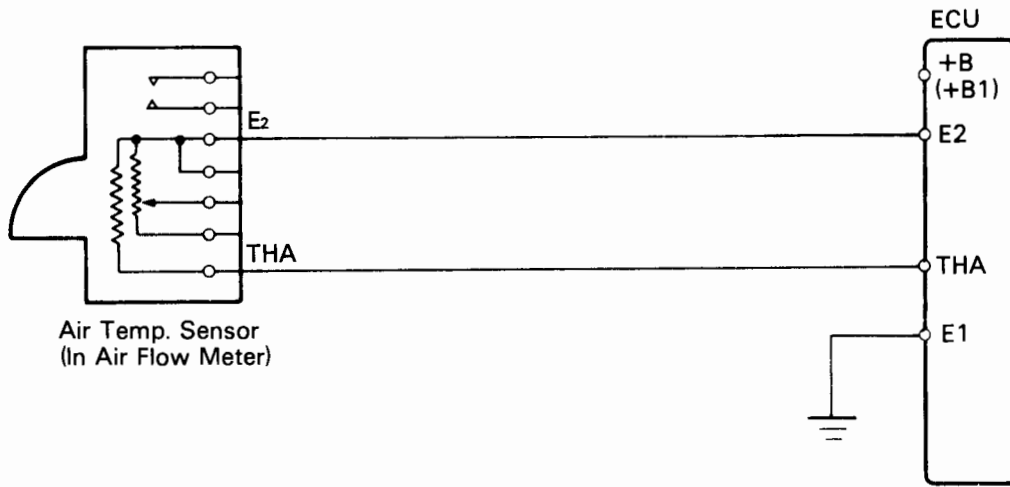
    graph TD
      Step1["① There is no voltage between computer terminal No. 10 and/or No. 20 and E01 and/or E02. (IG S/W ON)"]
      Step2["② Check that there is specified voltage between resistor terminal (+) and body ground. STD voltage: 9 - 14V"]
      Step3["② Check that there is specified voltage between resistor terminal (-) and body ground. STD voltage: 9 - 14V"]
      Step4["③ Check resistance of the magnetic coil in each injector. STD resistance: Approx. 2.9 Ω"]
      Step5["Check wiring between computer and resistor."]
      Step6["Check fuse, fusible link, injector relay and ignition switch."]
      Step7["Repair or replace"]
      Step8["Replace resistor"]
      Step9["Replace injector"]

      Step1 --> Step2
      Step2 -- NO --> Step6
      Step2 -- OK --> Step3
      Step3 -- NO --> Step8
      Step3 -- OK --> Step4
      Step4 -- BAD --> Step9
      Step4 -- OK --> Step5
      Step6 --> Step7
  
```

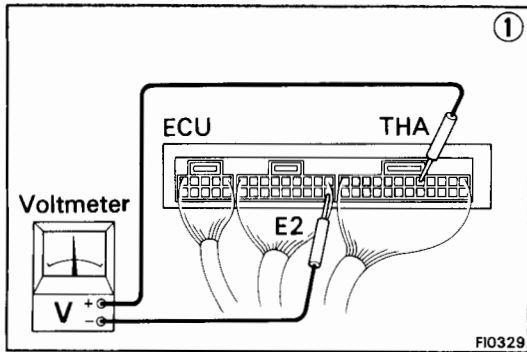
No.	Terminals	Trouble	Condition	STD Voltage
6	W – E1	No voltage	No trouble ("CHECK ENGINE" warning light off) and engine running.	9 – 14V



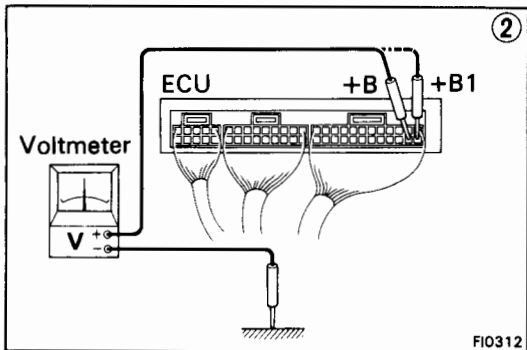
No.	Terminals	Trouble	Condition		STD voltage
7	THA – E2	No voltage	Ignition switch ON	Intake air temperature 20°C (68°F)	1 – 3 V



FI1272



① There is no specified voltage between ECU terminals THA and E2. (IG S/W ON)

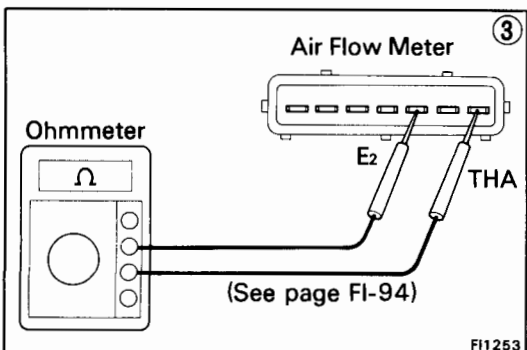


② Check that there is voltage between ECU terminal +B1 or +B and body ground. (IG S/W ON)

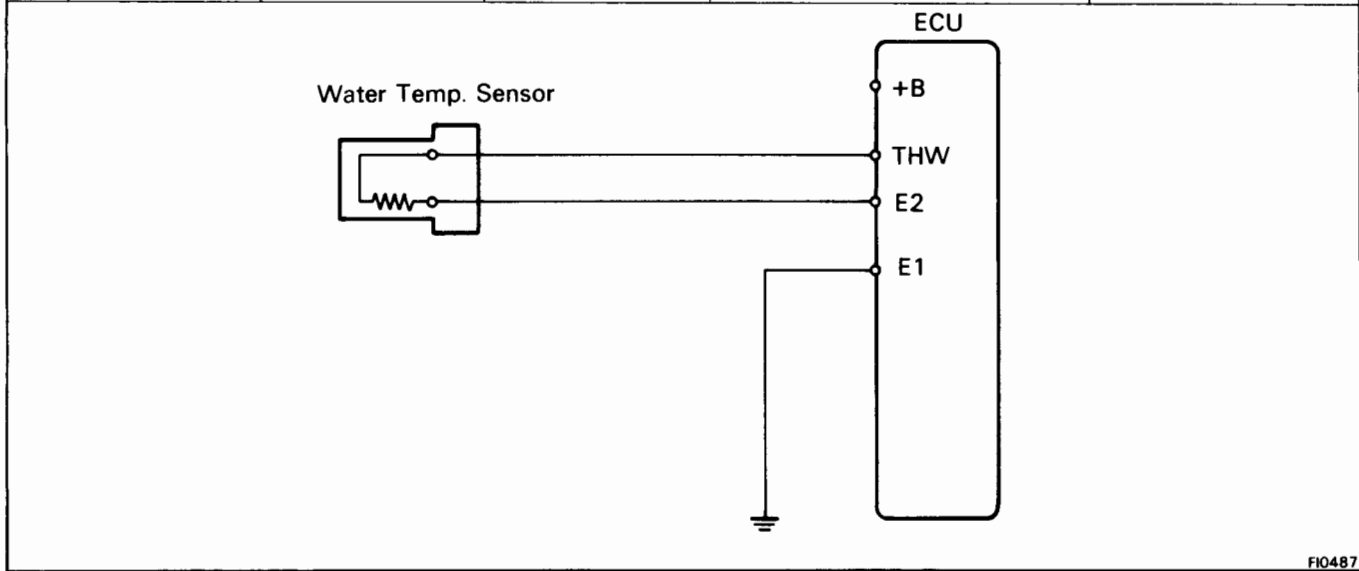
OK → ③ Check air temp. sensor.  
 NO → Refer to No. 1. (See page FI-49)

BAD → Replace air temp. sensor.  
 OK → Check wiring between ECU and air temperature sensor.

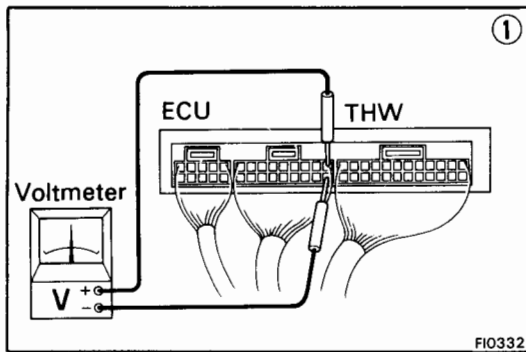
OK → Try another ECU.  
 BAD → Repair or replace wiring.



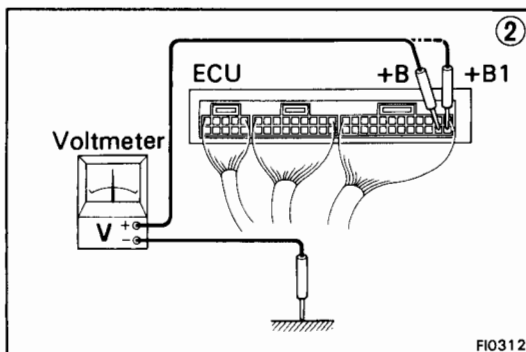
No.	Terminals	Trouble	Condition		STD Voltage
8	THW – E2	No voltage	Ignition switch ON	Coolant temperature 80°C (176°F)	0.1 – 1.0 V



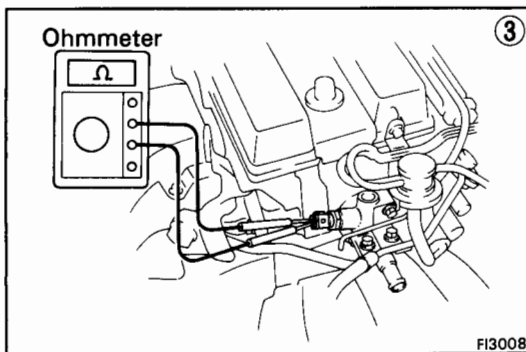
FI0487



FI0332



FI0312



FI3008

① There is no specified voltage between ECU terminals THW and E2. (IG S/W ON)

② Check that there is voltage between ECU terminal +B1 or +B and body ground. (IG S/W ON)

③ Check water temp. sensor.

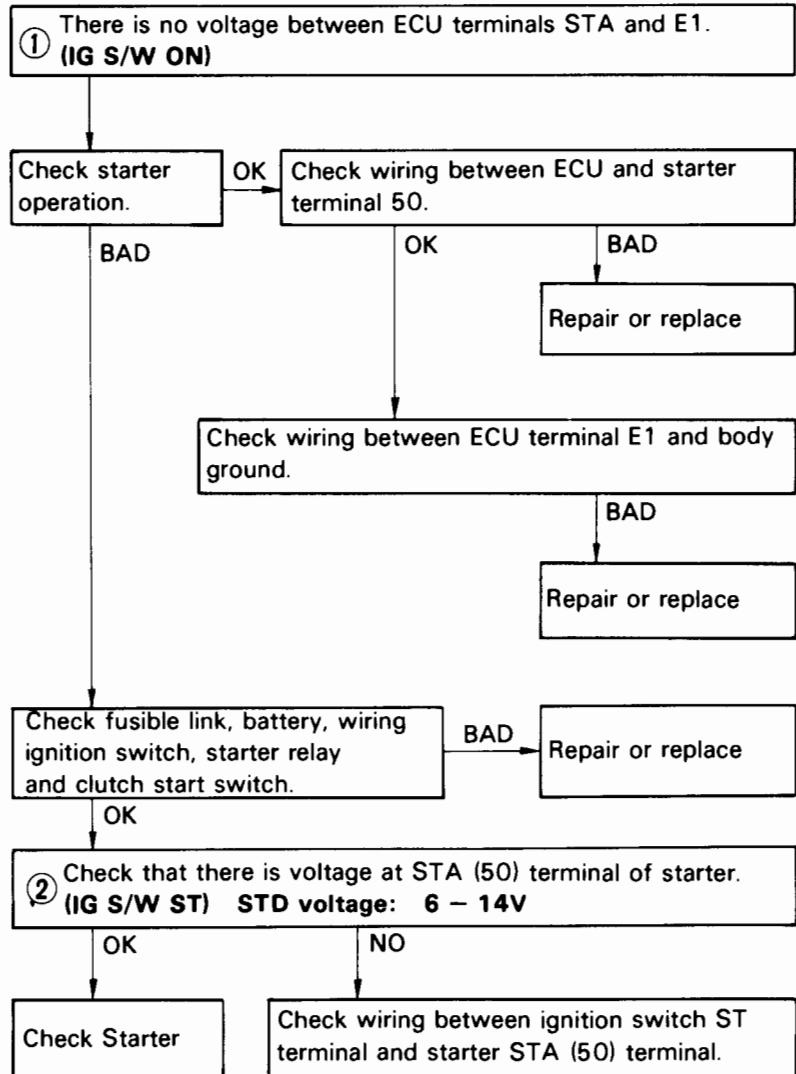
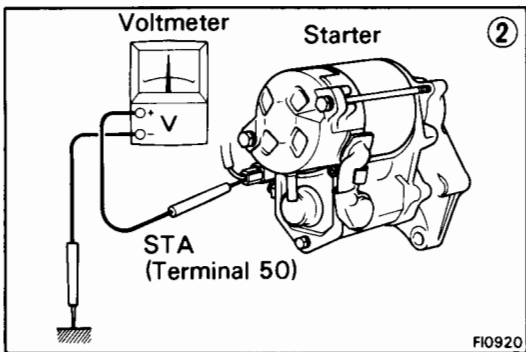
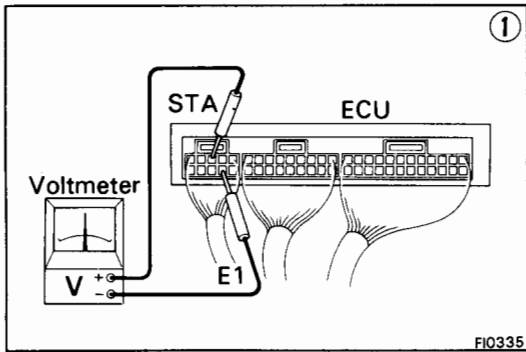
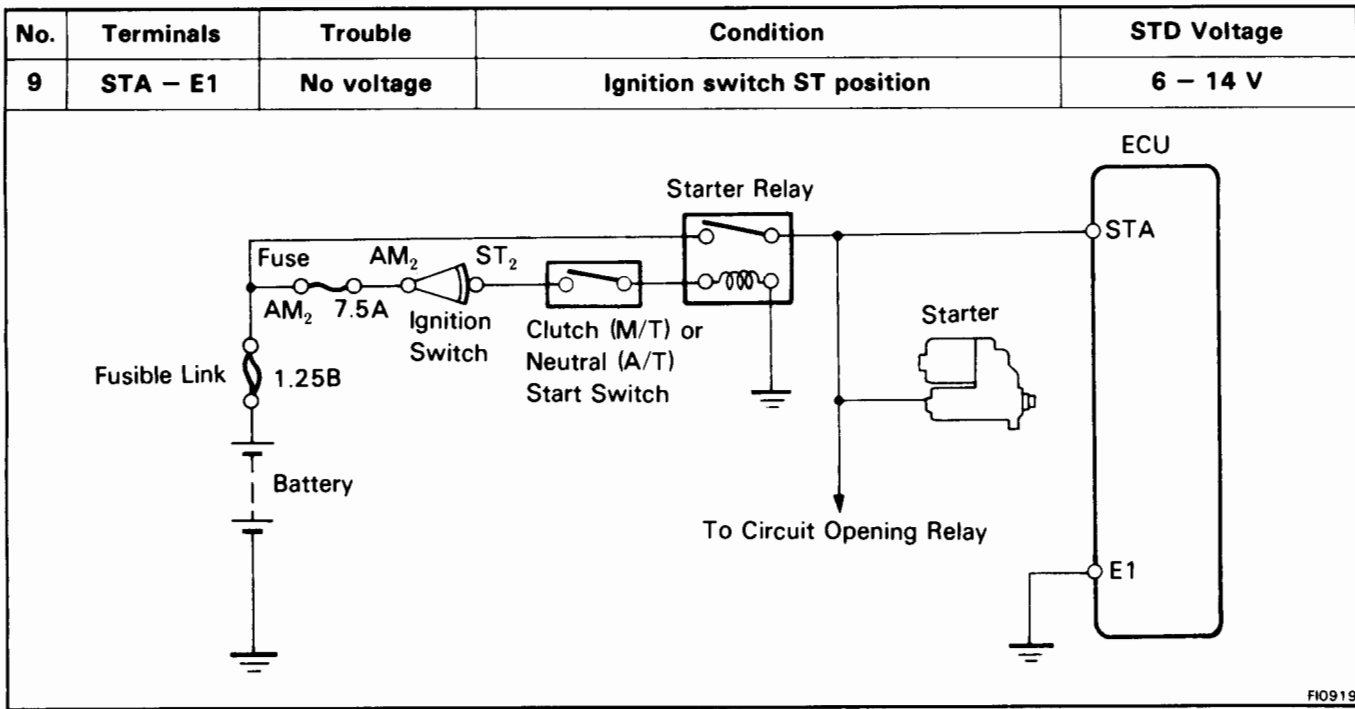
Refer to No. 1. (See page FI-49)

Replace water temp. sensor.

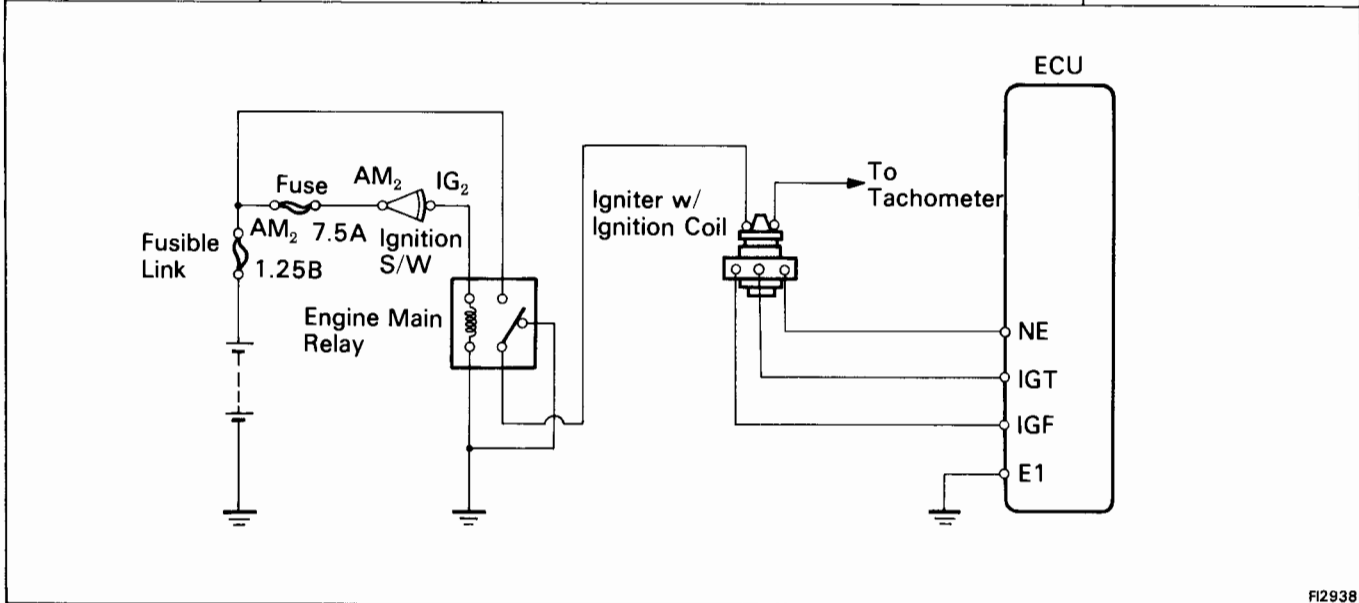
Check wiring between ECU and air temp. sensor.

Try another ECU.

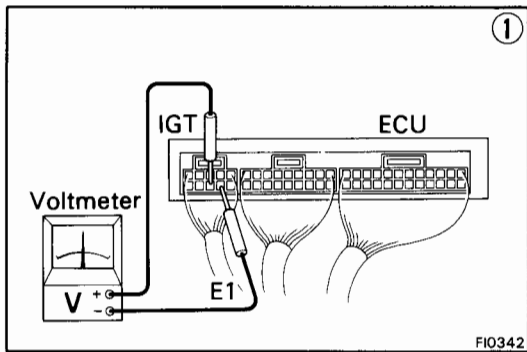
Repair or replace wiring.



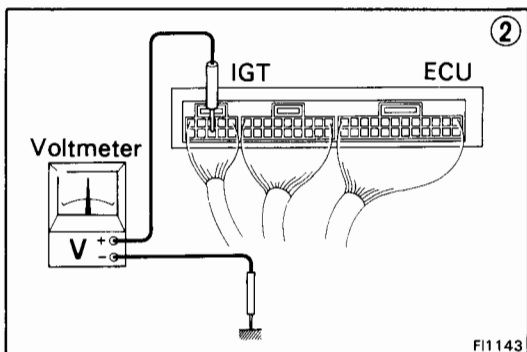
No.	Terminals	Trouble	Condition	STD Voltage
10	IGT – E1	No voltage	Idling	0.7 – 1.0 V



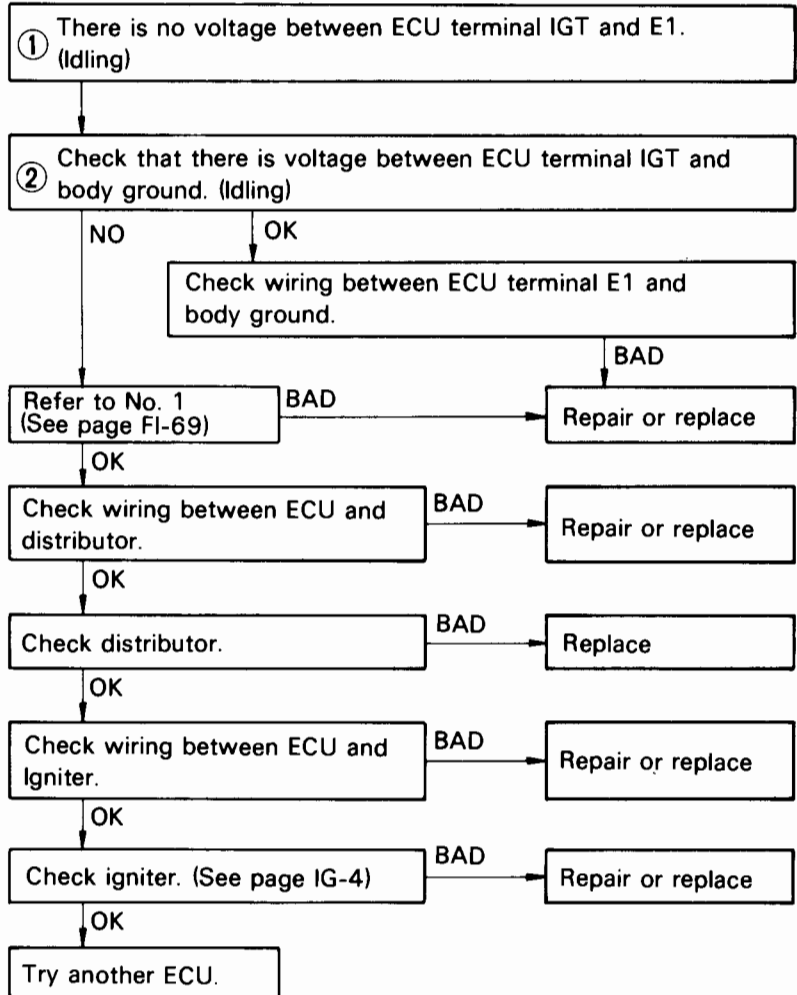
FI2938



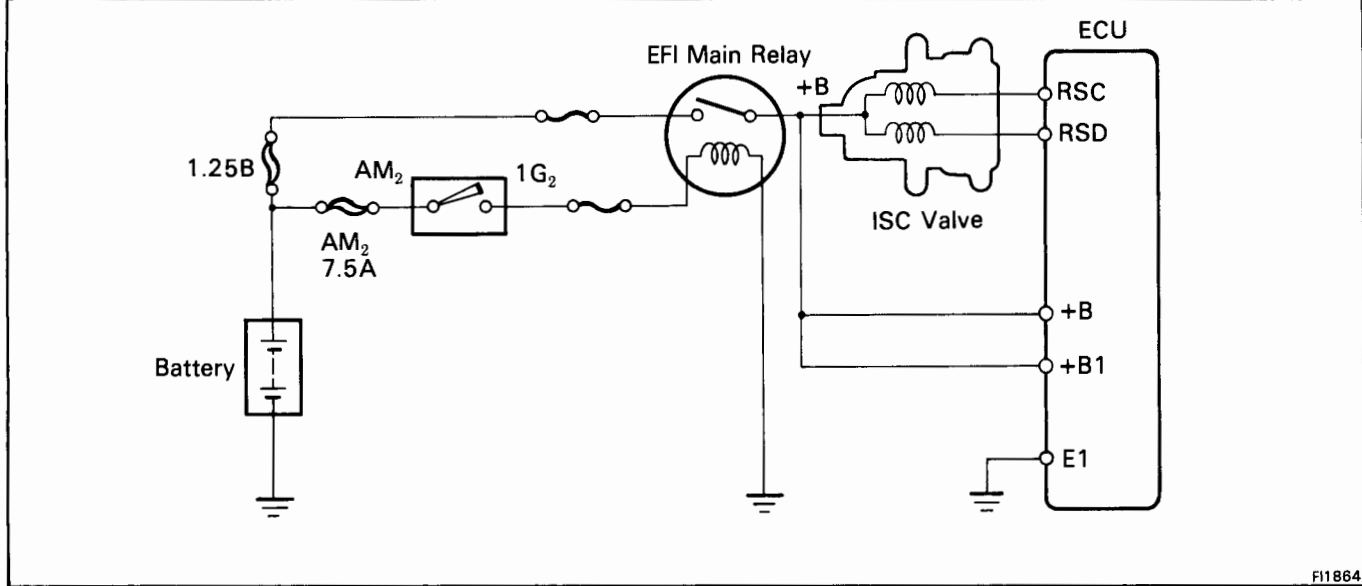
FI0342



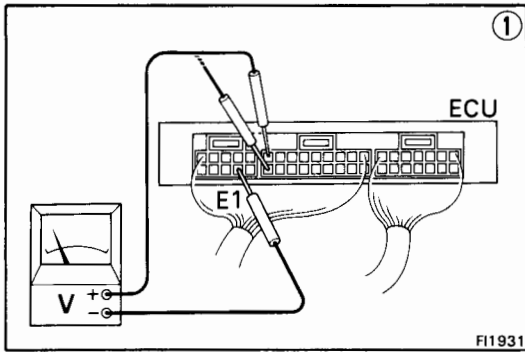
FI1143



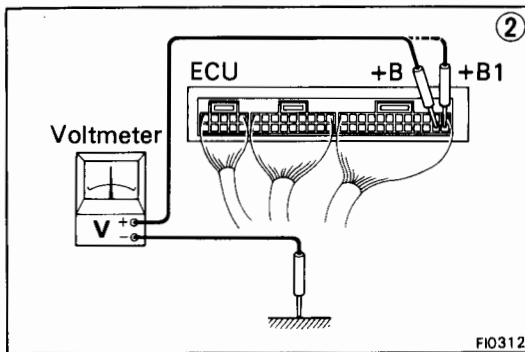
No.	Terminals	Trouble	Condition	STD Voltage
11	1SC <sub>1</sub> 1SC <sub>2</sub> - E1	No voltage	IG S/W ON	9 - 14 V



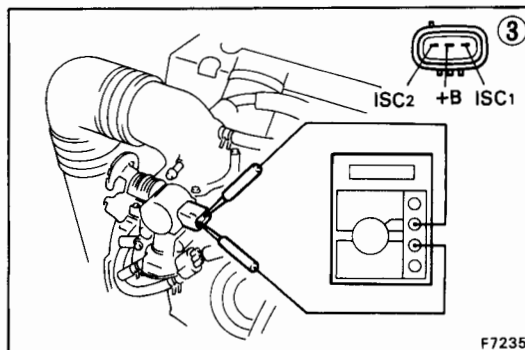
FI1864



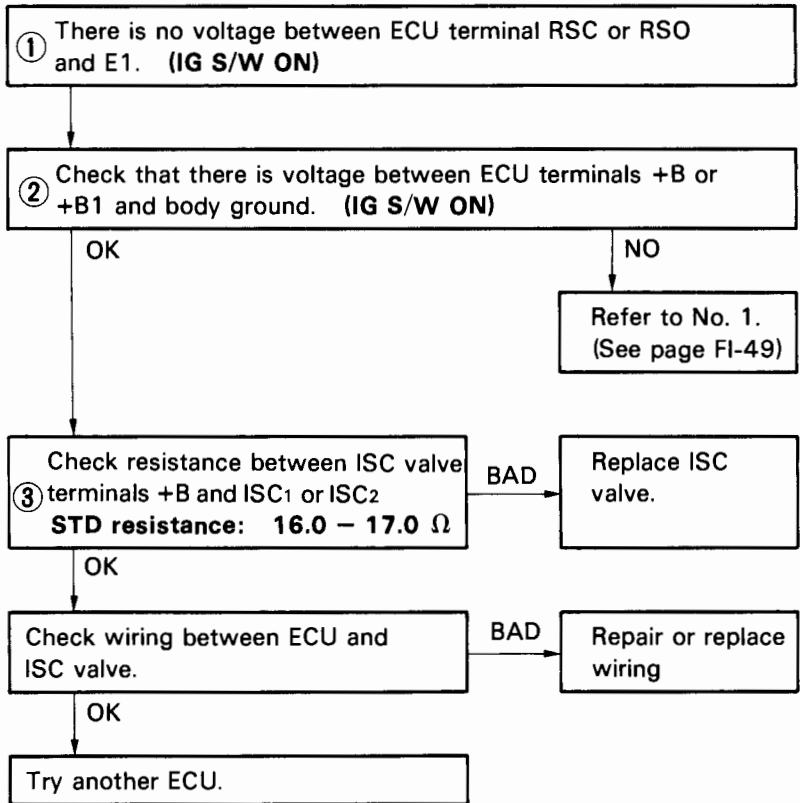
FI1931



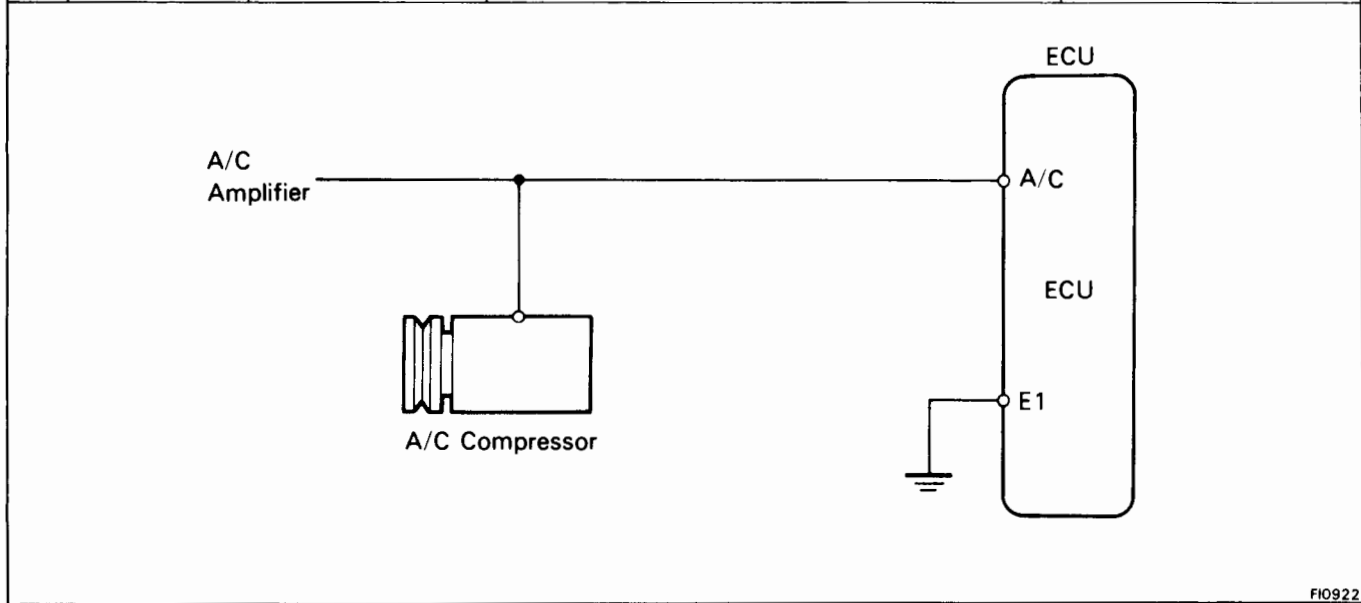
FI0312



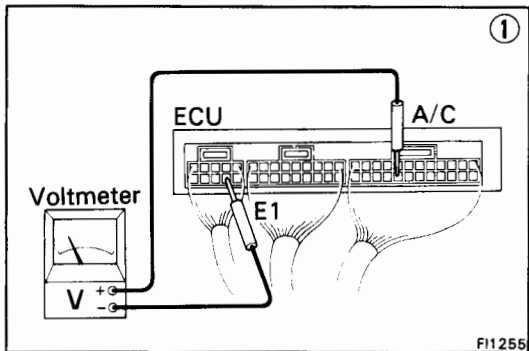
F7235



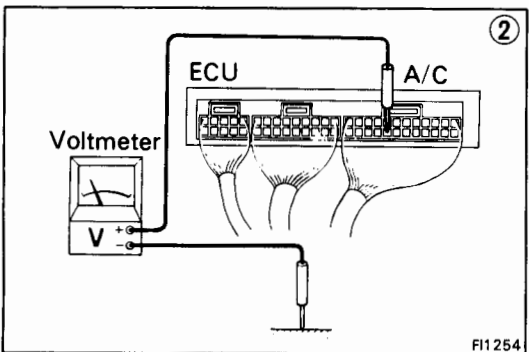
No.	Terminals	Trouble	Condition	STD Voltage
12	A/C - E1	No voltage	Air conditioning ON	5 - 14 V



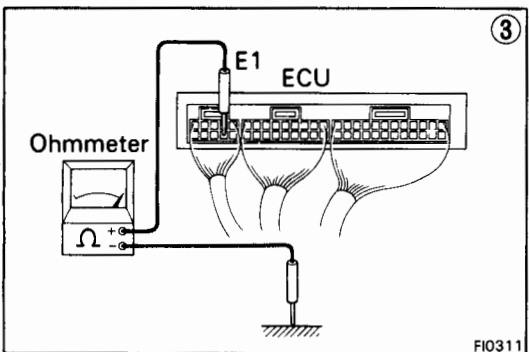
FI0922



FI1255



FI1254



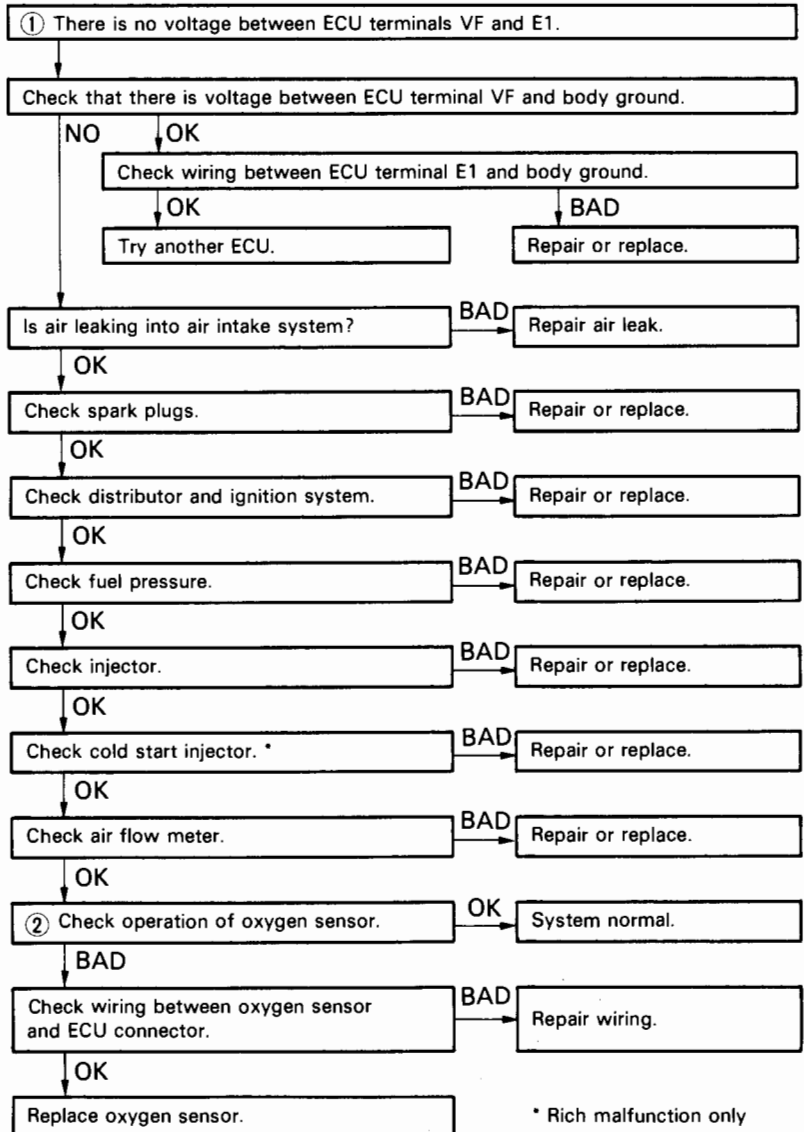
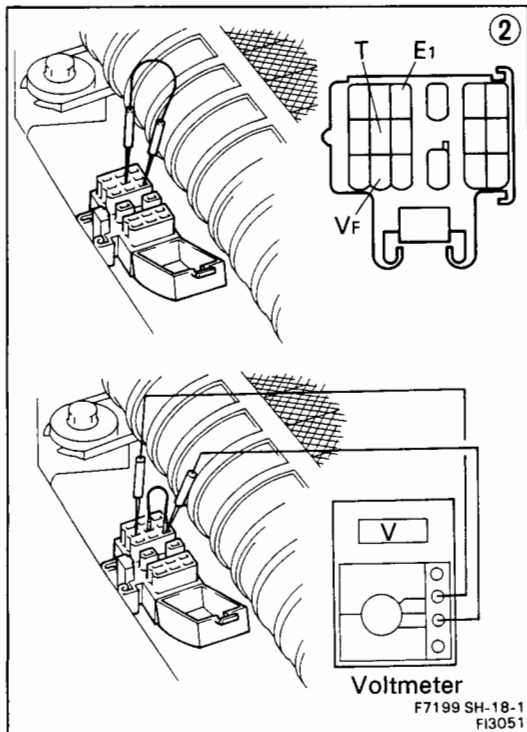
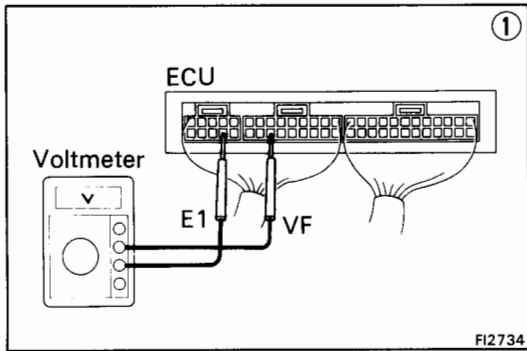
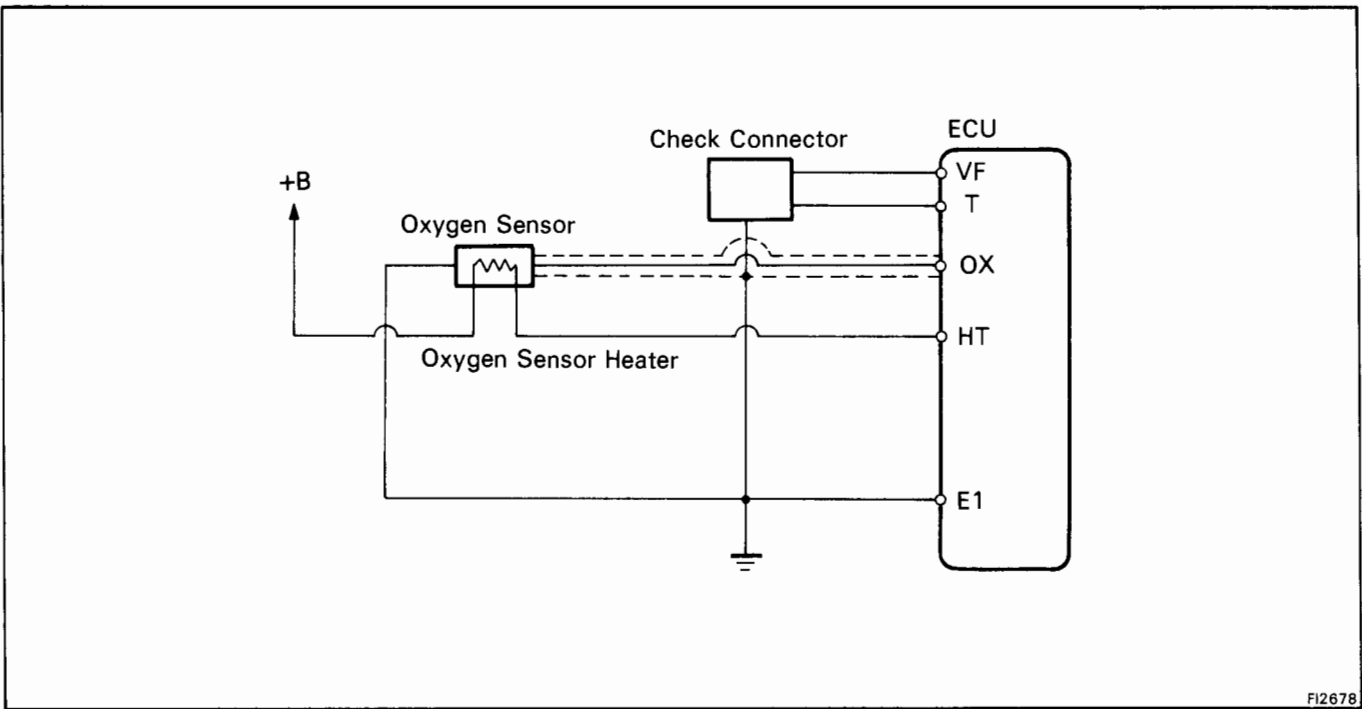
FI0311

```

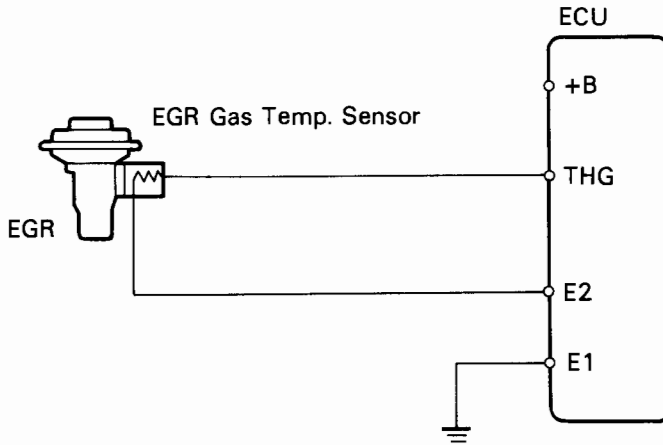
    graph TD
      Step1["① There is no voltage between ECU terminals A/C and E1.  
(Air conditioning ON)"]
      Step2["② Check that there is voltage between  
ECU terminal A/C and body ground."]
      Step3["③ Check wiring between ECU  
E1 and body ground."]
      CheckComp["Check compressor running"]
      CheckAmp["Check wiring between  
ECU terminal A/C and  
amplifier."]
      CheckAmpGnd["Check that there is voltage between  
amplifier terminal and body ground."]
      CheckAmpECU["Check wiring between amplifier and  
ECU or compressor."]
      TryECU["Try another ECU"]
      Repair1["Repair or replace"]
      Repair2["Repair or replace"]
      Repair3["Repair or replace"]
      Repair4["Repair or replace"]

      Step1 --> Step2
      Step2 -- NO --> CheckComp
      Step2 -- OK --> Step3
      Step3 -- OK --> TryECU
      Step3 -- BAD --> Repair1
      CheckComp -- OK --> CheckAmp
      CheckComp -- BAD --> CheckAmpGnd
      CheckAmp -- BAD --> Repair2
      CheckAmp -- OK --> CheckAmpECU
      CheckAmpGnd -- BAD --> Repair3
      CheckAmpGnd -- OK --> CheckAmpECU
      CheckAmpECU -- BAD --> Repair4
      CheckAmpECU -- OK --> End
  
```

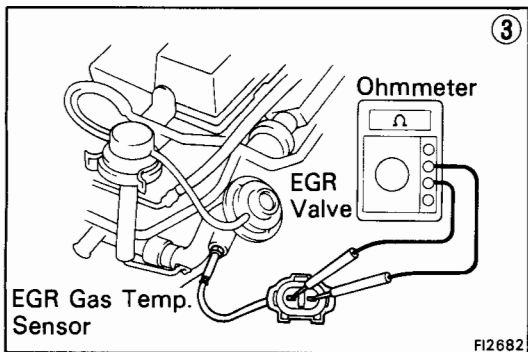
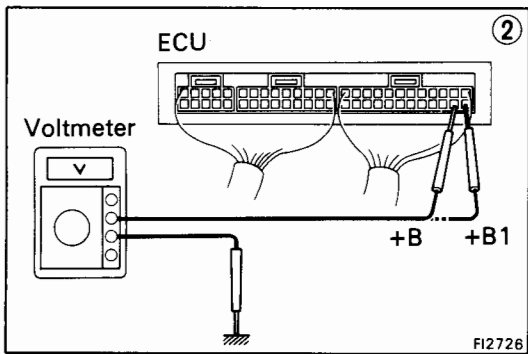
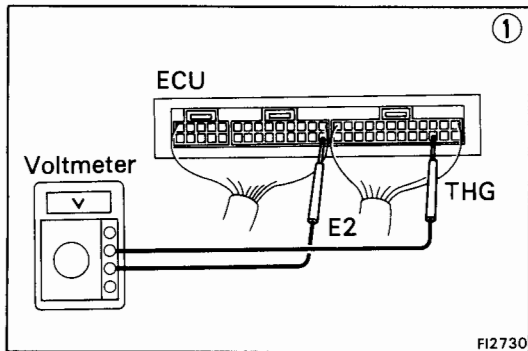




California



FI2680

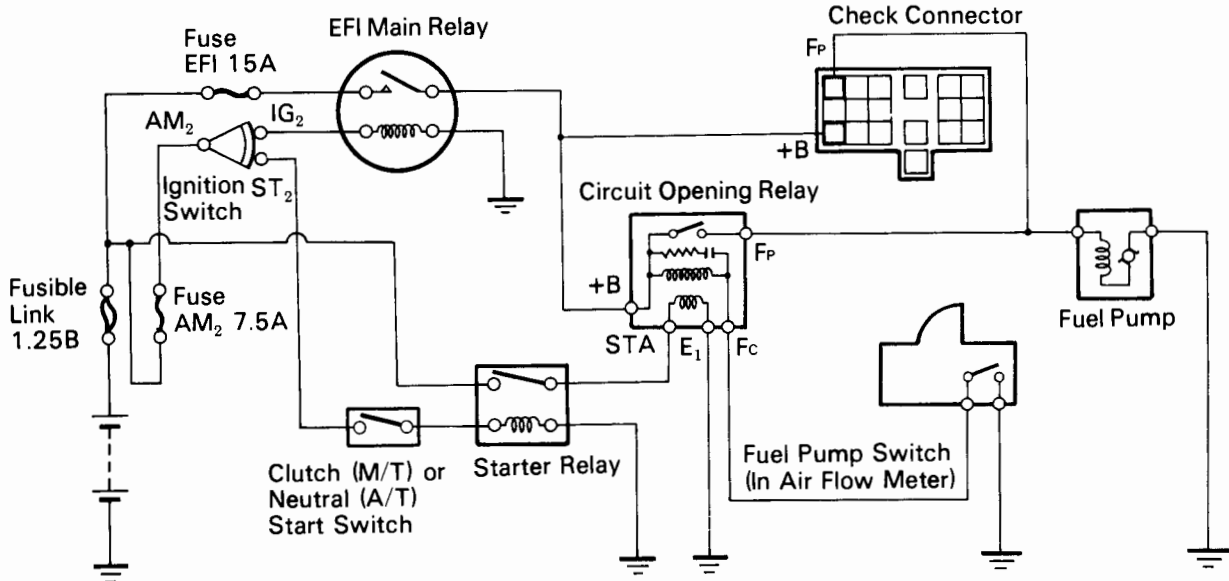
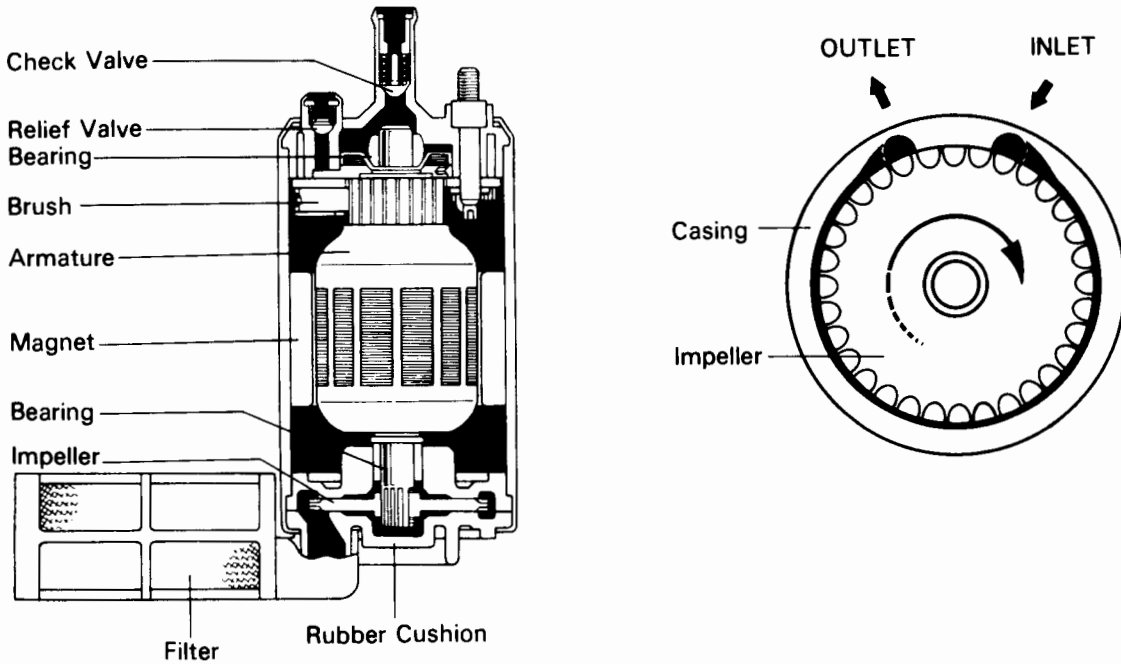


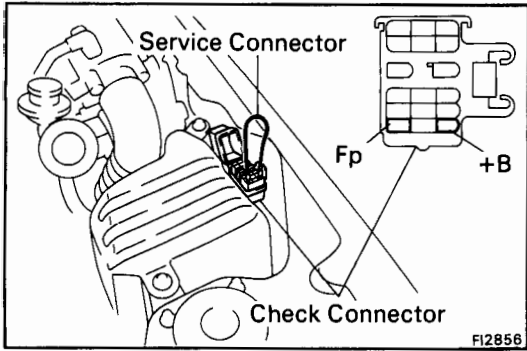
```

    graph TD
      A[No voltage between ECU terminals THG and E2.  
(Engine running at 2,000 rpm)] --> B[Check that there is voltage between ECU terminal +B or +B1  
and body ground. (IG S/W ON)]
      B -- NO --> C[Refer to No. 1  
(See page FI-49)]
      B -- OK --> D[Check wiring between ECU terminal E1 and body ground.]
      D -- BAD --> E[Repair or replace.]
      D -- OK --> F[Check EGR system.]
      F -- BAD --> E
      F -- OK --> G[Check EGR gas temp. sensor.]
      G -- BAD --> H[Replace EGR gas temp.  
sensor.]
      G -- OK --> I[Check wiring between ECU and  
EGR gas temp. sensor.]
      I -- BAD --> E
      I -- OK --> J[Try another ECU.]
    
```

# FUEL SYSTEM

## Fuel Pump





## ON-VEHICLE INSPECTION (4A-GE)

### 1. CHECK FUEL PUMP OPERATION

(a) Turn the ignition switch ON.

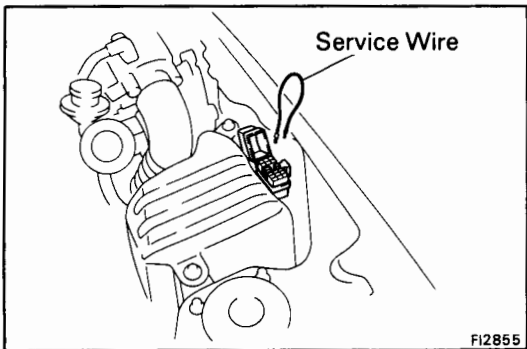
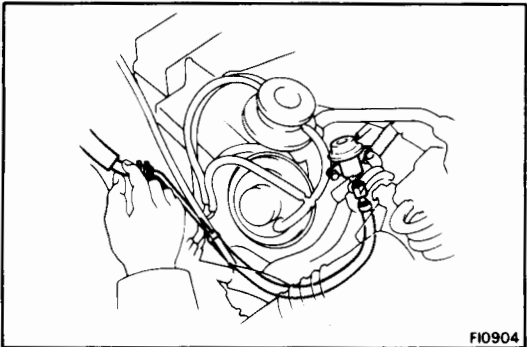
NOTE: Do not start the engine.

(b) Short the terminals Fp and +B of the check connector.

NOTE: The check connector is located near the resonator.

(c) Check that there is pressure in the pressure regulator fuel return hose.

NOTE: At this time, you will hear fuel return noise from the pressure regulator.



(d) Remove the service wire.

(e) Turn the ignition switch OFF.

If there is no pressure, check the following parts.

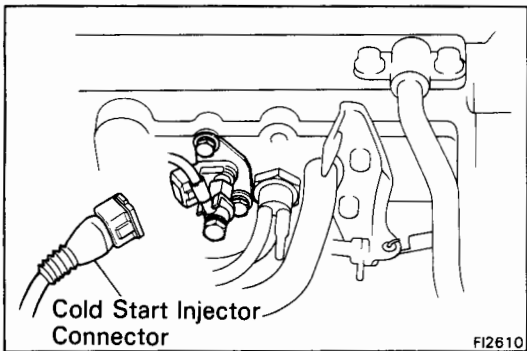
- Fusible link (1.25B)
- Fuse (EFI 15A, AM<sub>2</sub> 7.5A)
- EFI main relay
- Circuit opening relay
- Fuel pump
- Wiring connections

### 2. CHECK FUEL PRESSURE

(a) Check that battery voltage is above 12 volts.

(b) Disconnect the battery ground cable.

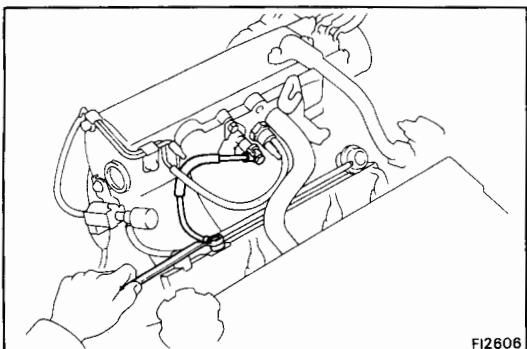
(c) Disconnect the wiring connector from the cold start injector.

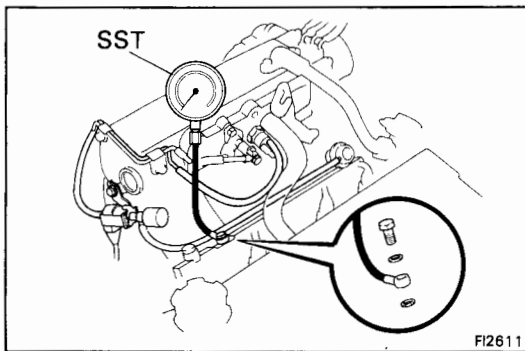


(d) Place a suitable container or shop towel under the cold start injector pipe.

(e) Slowly loosen the union bolt of the cold start injector pipe and remove the bolt and two gaskets from the delivery pipe.

(f) Drain the fuel in the delivery pipe.

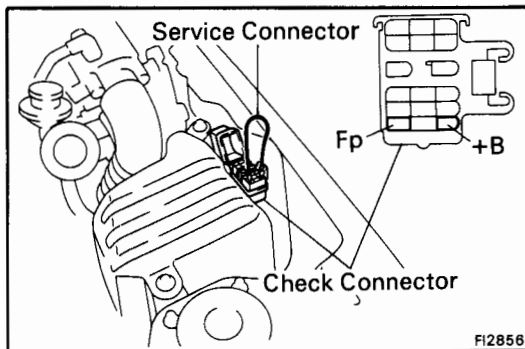




- (g) Install a gasket, SST, another gasket and union bolt to the delivery pipe as shown in the figure.

SST 09268-45012

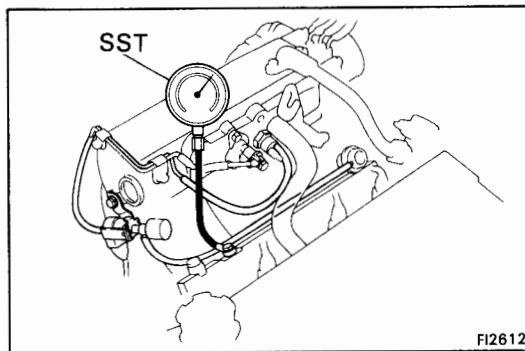
- (h) Wipe off any splattered gasoline.
- (i) Reconnect the battery cable.



- (j) Short the terminals Fp and +B of the check connector.

NOTE: The check connector is located near the resonator.

- (k) Turn on the ignition switch.



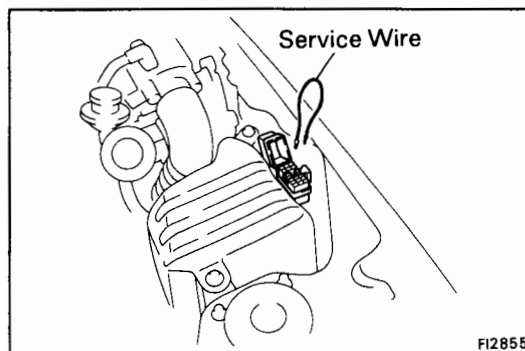
- (l) Measure the fuel pressure.

**Fuel pressure: 2.7 – 3.1 kg/cm<sup>2</sup>  
(38 – 44 psi, 265 – 304 kPa)**

If high, replace the pressure regulator.

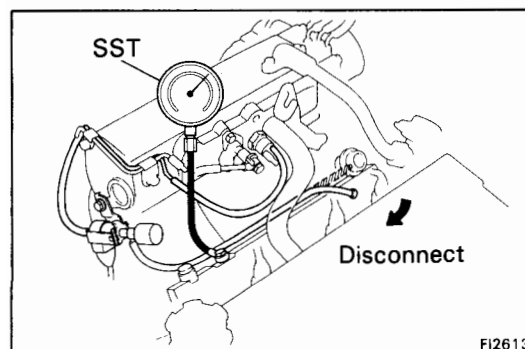
If low, check the following parts.

- Fuel hoses and connection
- Fuel Pump
- Fuel filter
- Pressure regulator



- (m) Remove the service wire from the check connector.

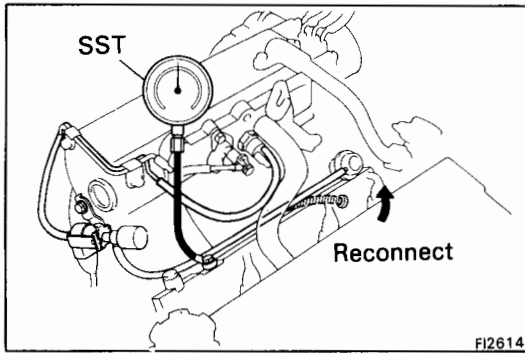
- (n) Start the engine.



- (o) Disconnect the vacuum sensing hose from the pressure regulator and plug it.

- (p) Measure the fuel pressure at idling.

**Fuel pressure: 2.7 – 3.1 kg/cm<sup>2</sup>  
(38 – 44 psi, 265 – 304 kPa)**



- (q) Reconnect the vacuum sensing hose to the pressure regulator.
- (r) Measure the fuel pressure at idling after 90 seconds.

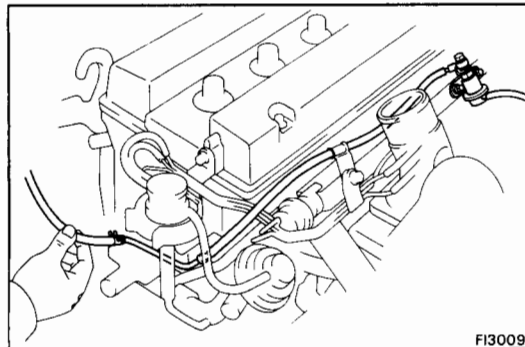
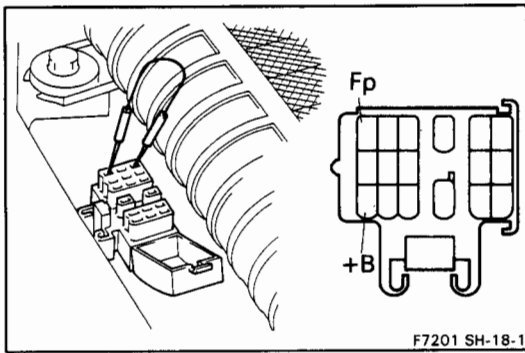
**Fuel pressure: 2.1 – 2.3 kg/cm<sup>2</sup>  
(30 – 33 psi, 206 – 226 kPa)**

If no pressure, check the vacuum sensing hose and pressure regulator.

- (s) Stop the engine. Check that the fuel pressure remains above 1.5 kg/cm<sup>2</sup> (21 psi, 147 kPa) for 5 minutes after the engine is turned off.

If not within specification, check the fuel pump, pressure regulator and/or injectors.

- (t) After checking fuel pressure, disconnect the battery ground cable and carefully remove the SST to prevent gasoline from splashing.
- (u) Using new gaskets, reconnect the cold start injector hose to the delivery pipe.
- (v) Connect the wiring connector to the cold start injector.
- (w) Check for fuel leakage.



## ON-VEHICLE INSPECTION (4A-GZE)

### 1. CHECK FUEL PUMP OPERATION

(a) Turn the ignition switch ON.

NOTE: Do not start the engine.

(b) Short the terminals Fp and +B of the check connector.

NOTE: The check connector is located near the inter-cooler.

(c) Check that there is pressure in the pressure regulator fuel return hose.

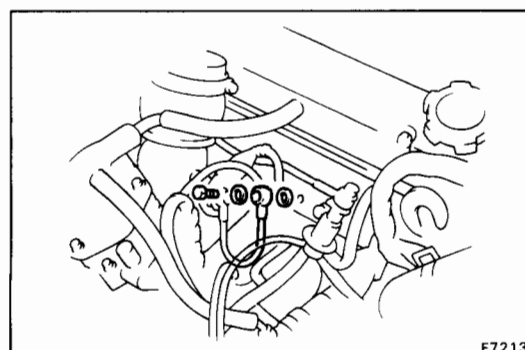
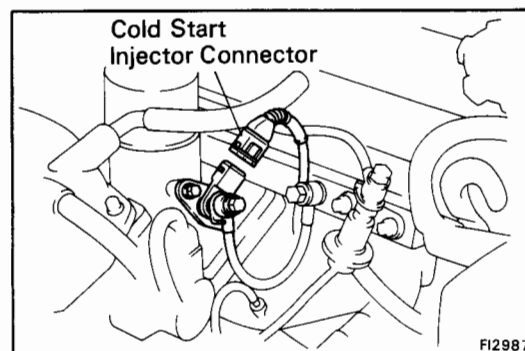
NOTE: At this time, you will hear fuel return noise from the pressure regulator.

(d) Remove the service wire.

(e) Turn the ignition switch OFF.

If there is no pressure, check the following parts.

- Fusible link (1.25B)
- Fuse (EFI 15A, AM<sub>2</sub> 7.5A)
- EFI main relay
- Circuit opening relay
- Fuel pump
- Wiring connections



### 2. CHECK FUEL PRESSURE

(a) Check that battery voltage is above 12 volts.

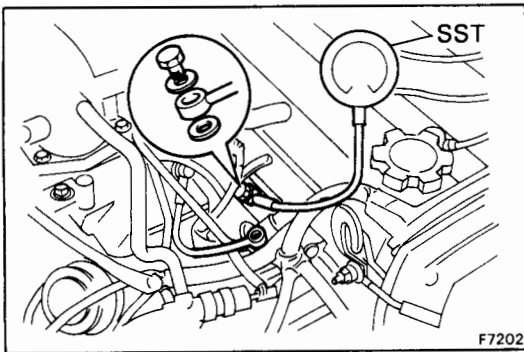
(b) Disconnect the battery ground cable.

(c) Disconnect the wiring connector from the cold start injector.

(d) Place a suitable container or shop towel under the cold start injector pipe.

(e) Slowly loosen the union bolt of the cold start injector pipe and remove the bolt and two gaskets from the delivery pipe.

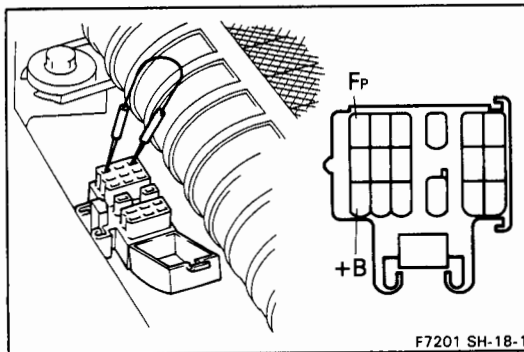
(f) Drain the fuel in the delivery pipe.



- (g) Install a gasket, SST, another gasket and union bolt to the delivery pipe as shown in the figure.

SST 09268-45012

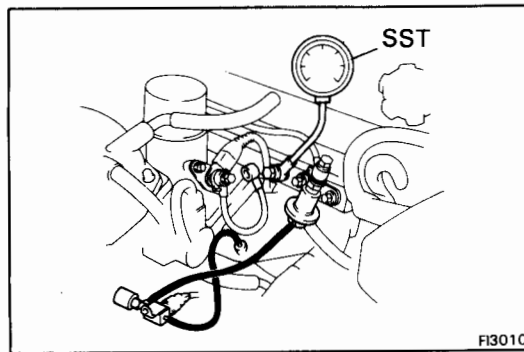
- (h) Wipe off any splattered gasoline.
- (i) Reconnect the battery cable.



- (j) Short the terminals Fp and +B of the check connector.

NOTE: The check connector is located near the inter-cooler.

- (k) Turn on the ignition switch.



- (l) Measure the fuel pressure.

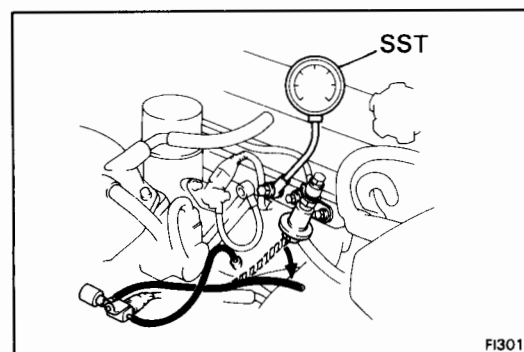
**Fuel pressure: 2.3 – 2.8 kg/cm<sup>2</sup>  
(33 – 40 psi, 265 – 304 kPa)**

If high, replace the pressure regulator.

If low, check the following parts.

- Fuel hoses and connection
- Fuel Pump
- Fuel filter
- Pressure regulator

- (m) Remove the service wire from the check connector.
- (n) Start the engine.

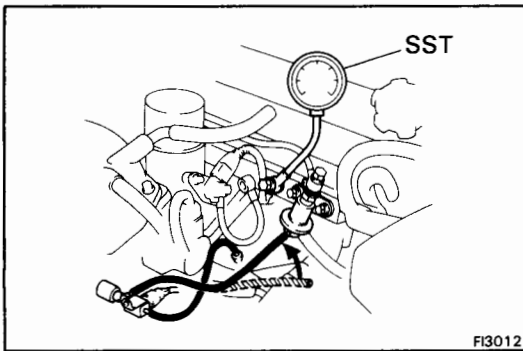


- (o) Disconnect the vacuum sensing hose from the pressure regulator and plug it.

- (p) Measure the fuel pressure at idling.

**Fuel pressure: 2.3 – 2.8 kg/cm<sup>2</sup>  
(33 – 40 psi, 265 – 304 kPa)**





- (q) Reconnect the vacuum sensing hose to the pressure regulator.
- (r) Measure the fuel pressure at idling after 90 seconds.

**Fuel pressure: 1.4 – 1.9 kg/cm<sup>2</sup>  
(20 – 27 psi, 137 – 186 kPa)**

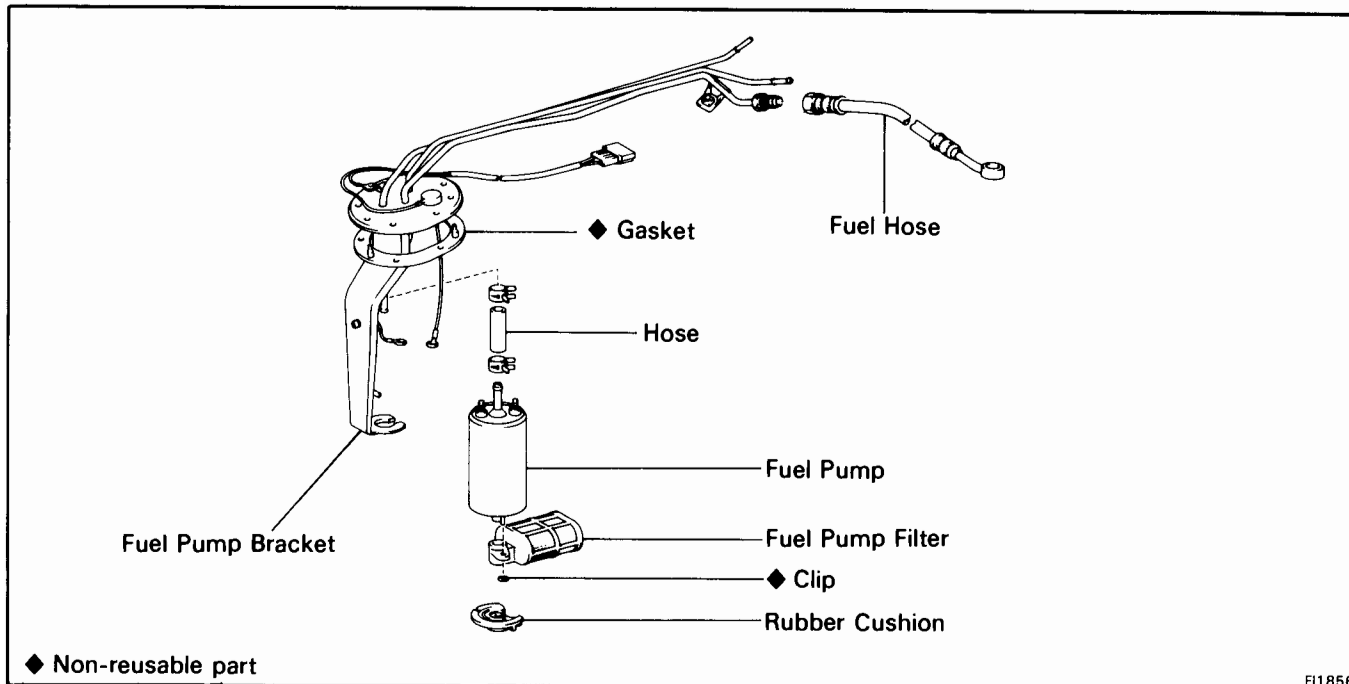
If no pressure, check the vacuum sensing hose and pressure regulator.

- (s) Stop the engine. Check that the fuel pressure remains above 1.5 kg/cm<sup>2</sup> (21 psi, 147 kPa) for 5 minutes after the engine is turned off.

If not within specification, check the fuel pump, pressure regulator and/or injectors.

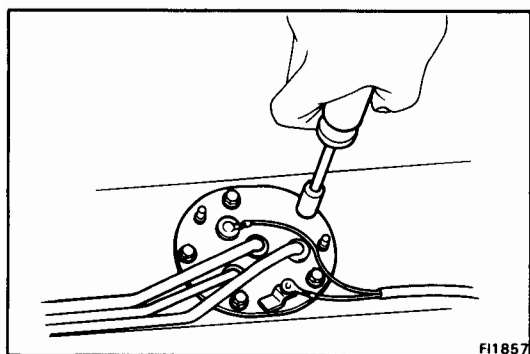
- (t) After checking fuel pressure, disconnect the battery ground cable and carefully remove the SST to prevent gasoline from splashing.
- (u) Using new gaskets, reconnect the cold start injector hose to the delivery pipe.
- (v) Connect the wiring connector to the cold start injector.
- (w) Check for fuel leakage.

## REMOVAL OF FUEL PUMP

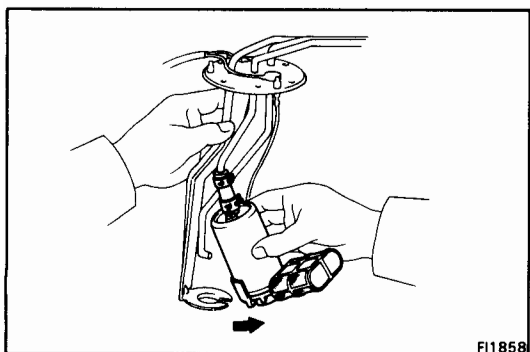


**WARNING:** Do not smoke or work near an open flame when working on the fuel pump.

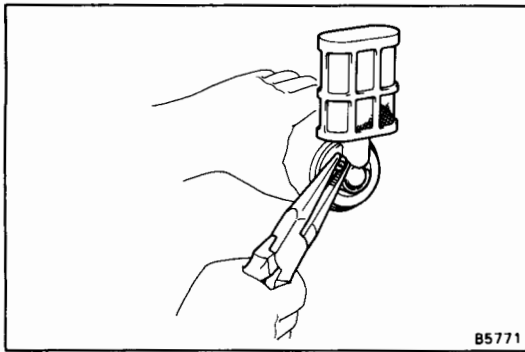
1. DRAIN GASOLINE FROM FUEL TANK
2. REMOVE FUEL TANK



3. REMOVE FUEL PUMP BRACKET FROM FUEL TANK
  - (a) Remove the clamp bolt from the fuel tank.
  - (b) Remove the five bolts.
  - (c) Pull out the fuel pump bracket.

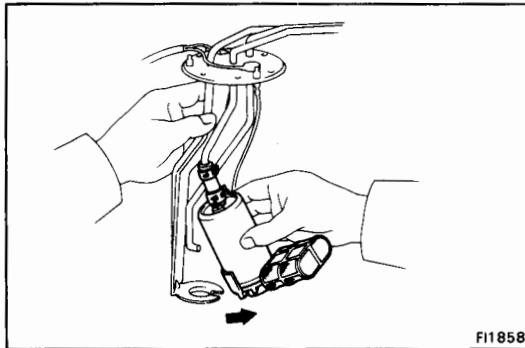


4. REMOVE FUEL PUMP FROM FUEL PUMP BRACKET
  - (a) Remove the two nuts and disconnect the wires from the fuel pump.
  - (b) Pull off the lower side of the fuel pump from the bracket.
  - (c) Remove the fuel pump from the fuel hose.



**5. REMOVE FUEL PUMP FILTER FROM FUEL PUMP**

- (a) Remove the rubber cushion.
- (b) Remove the clip and pull out the filter.



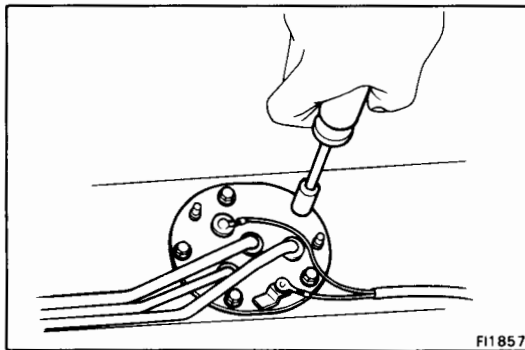
**INSTALLATION OF FUEL PUMP**

(See page FI-71)

**1. INSTALL FUEL PUMP FILTER TO FUEL PUMP**

**2. INSTALL FUEL PUMP TO FUEL PUMP BRACKET**

- (a) Insert the outlet port of the fuel pump into the fuel hose.
- (b) Install the rubber cushion to the lower side of the fuel pump.
- (c) Push the lower side of the fuel pump together with the rubber cushion into the fuel pump bracket.

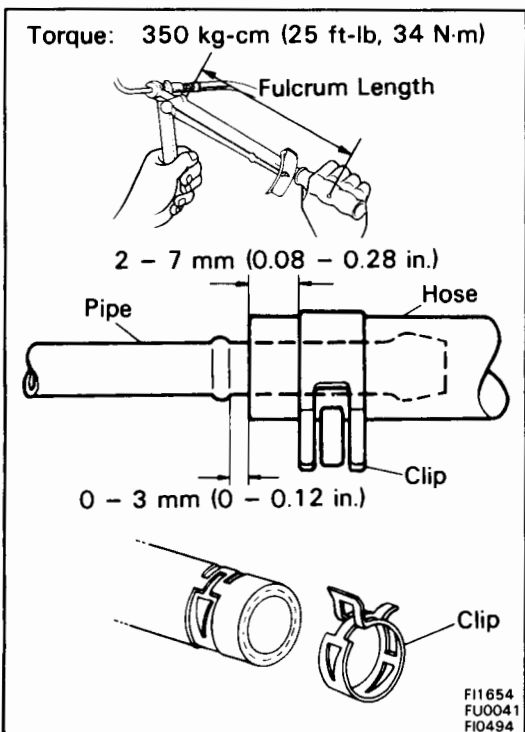


**3. INSTALL FUEL PUMP BRACKET**

- (a) Place the bracket with a new gasket on the fuel tank.
- (b) Install and torque the five screws.

**Torque: 20 – 60 kg-cm  
(18 – 52 in.-lb, 2.0 – 5.8 N·m)**

- (c) Install the clamp bolt to the fuel tank.



**4. INSTALL FUEL TANK**

- (a) Apply a thin coat of oil to the flare and tighten the flare nut.
- (b) Then using SST, tighten the nut to the specified torque.

SST 09631-22020

**Torque: 310 kg-cm (22 ft-lb, 30 N·m)**

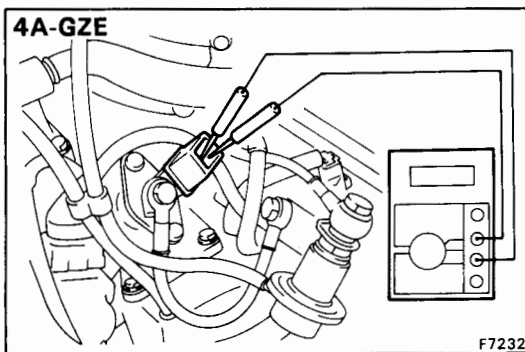
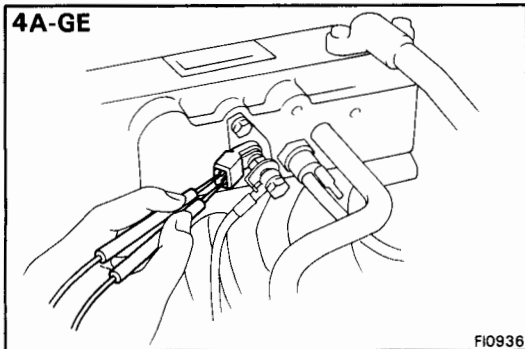
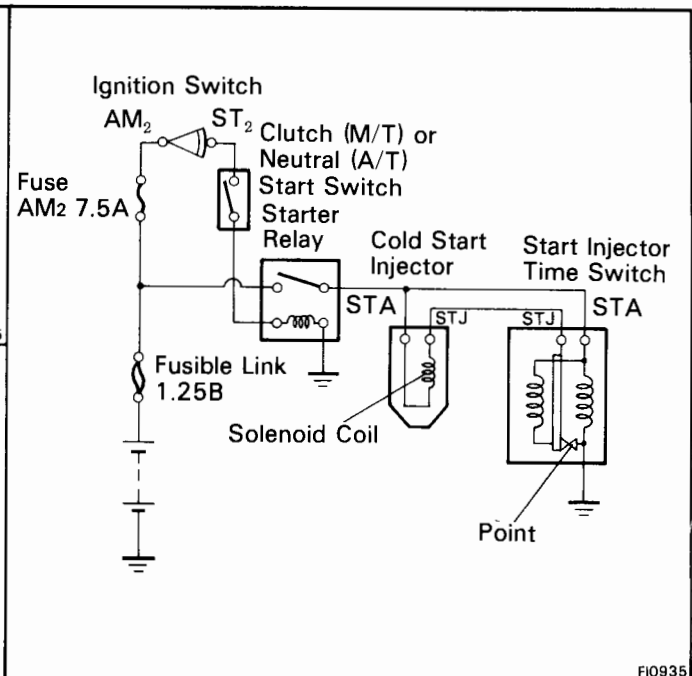
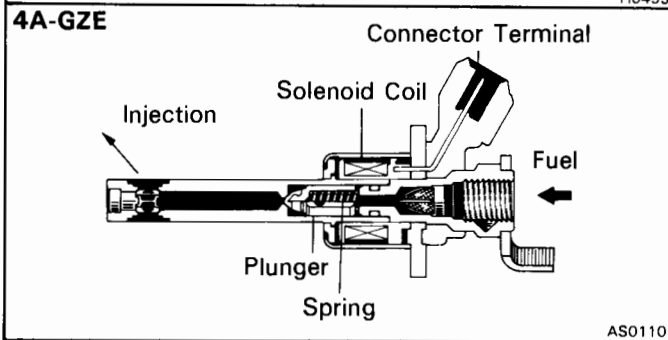
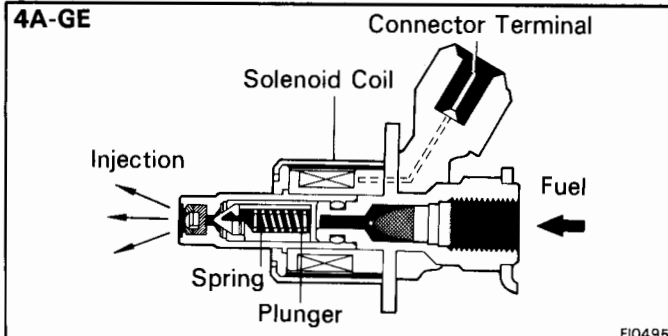
**NOTE:** Use a torque wrench with a fulcrum length of 30 cm (11.81 in.)

**CAUTION:**

- Tighten the fuel tank mounting bolts, etc. to the specified torque.
- Push in the pipe and insert-type hose to the specified position, and install the clip to the specified location.
- If reusing the hose, reinstall the clip to the original location.

**5. REFILL GASOLINE**

# Cold Start Injector



## ON-VEHICLE INSPECTION

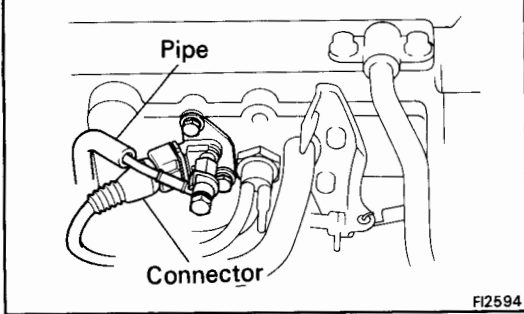
### MEASURE RESISTANCE OF COLD START INJECTOR

- (a) Disconnect the cold start injector connector.
- (b) Using an ohmmeter, check the resistance of the injector.

**Resistance:** **4A-GE**      3 – 5 Ω  
**4A-GZE**      2 – 4 Ω

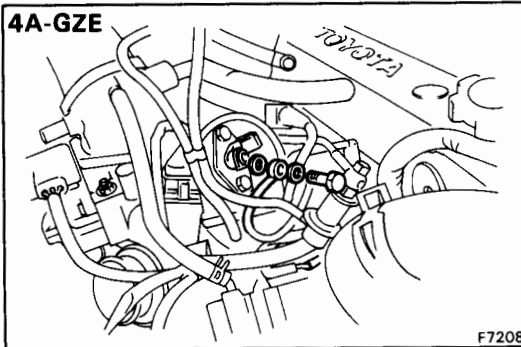
- (c) Connect the cold start injector connector.

4A-GE



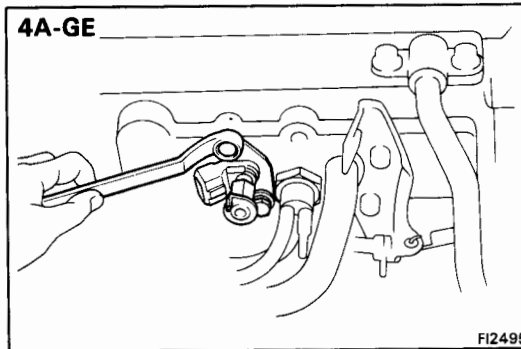
FI2594

4A-GZE



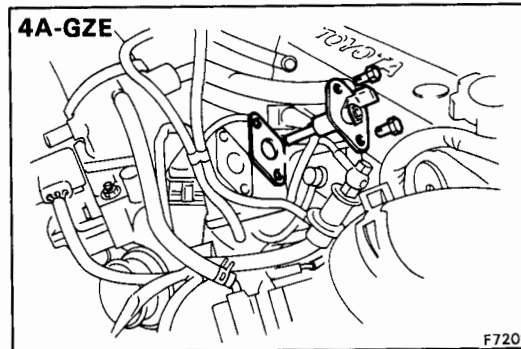
F7208

4A-GE



FI2495

4A-GZE



F7209

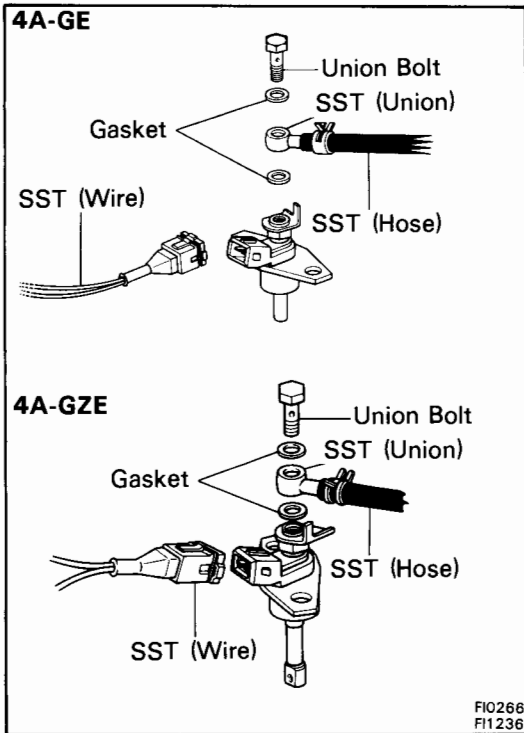
## REMOVAL OF COLD START INJECTOR

1. **DISCONNECT CABLE FROM NEGATIVE TERMINAL OF BATTERY**
2. **DISCONNECT COLD START INJECTOR CONNECTOR**
3. **REMOVE COLD START INJECTOR PIPE**
  - (a) Put a suitable container or shop towel under the cold start injector pipe.
  - (b) Remove the two union bolts and the cold start injector pipe with the gaskets.

NOTE: Slowly loosen the union bolts.

## 4. REMOVE COLD START INJECTOR

Remove the two bolts and cold start injector with the gasket.



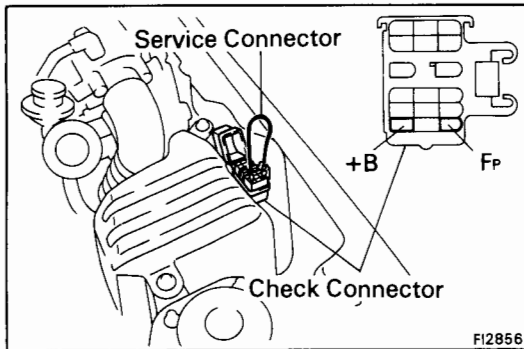
## INSPECTION OF COLD START INJECTOR

### CHECK INJECTION OF COLD START INJECTOR

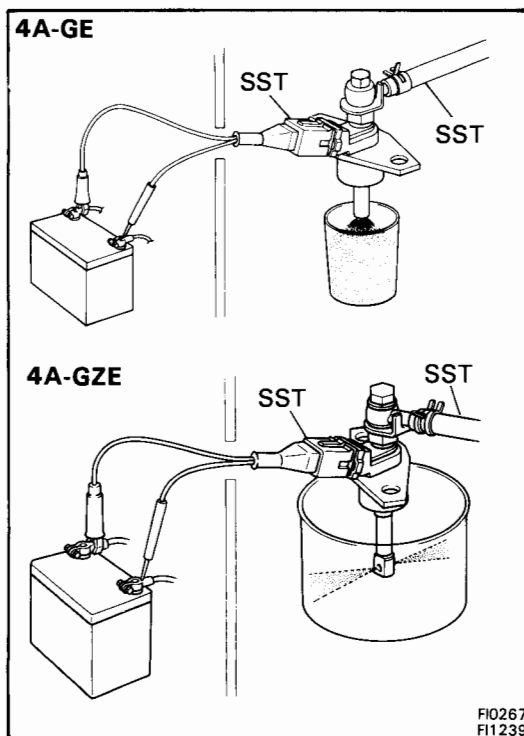
- (a) Install the gasket, SST (Two unions), another gasket and two union bolts to the delivery pipe and injector.
- (b) Connect the SST (Hose) from the unions.  
SST 09268-41045
- (c) Connect the SST (Wire) to the injector.  
SST 09842-30050

**WARNING:** Position the injector as far away from the battery as possible.

- (d) Put a container under the injector.
  - (e) Turn the ignition switch ON.
- NOTE:** Do not start the engine.



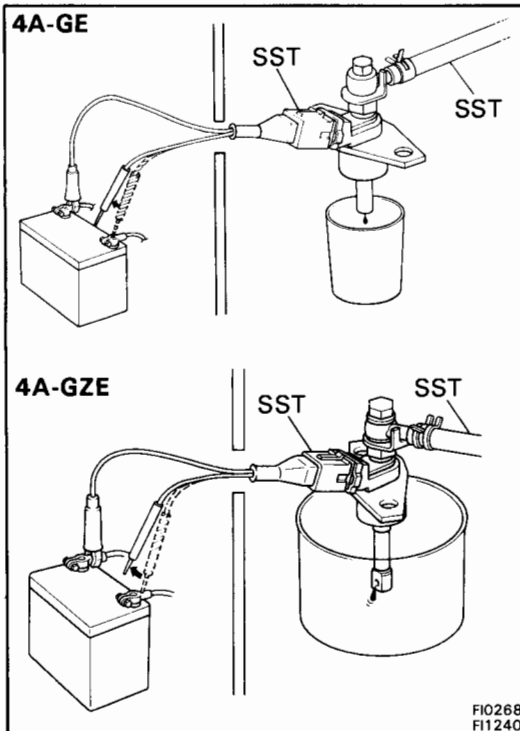
- (f) Short terminals F<sub>P</sub> and +B of the check connector with a service wire.



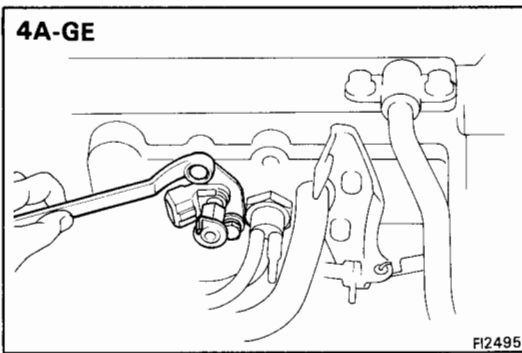
- (g) Connect the test probes of the SST to the battery and check that the fuel spray is as shown.

SST 09842-30050

**CAUTION:** Perform this check within the shortest possible time.



- (h) Disconnect the test probes from the battery and check that there is less than one drop of fuel per minute from the injector.
- (i) After checking, remove SST and restore the following parts to their original condition.
- Fuel pump check connector
  - Ignition switch OFF
  - Cold start injector
  - Injector wiring

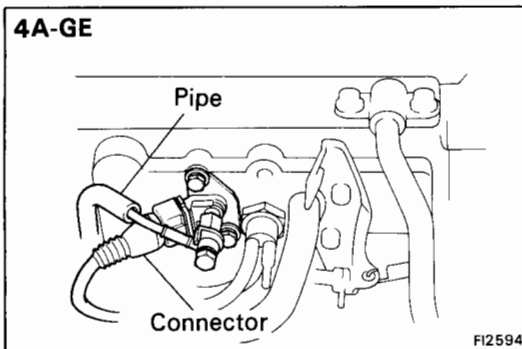
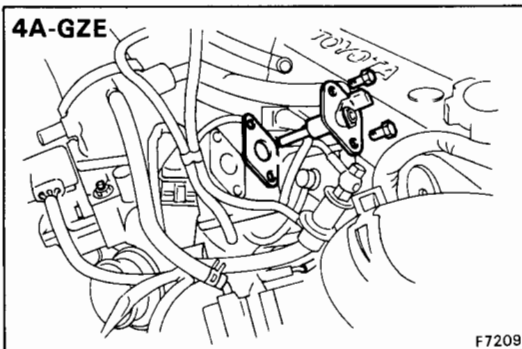


## INSTALLATION OF COLD START INJECTOR

### 1. INSTALL COLD START INJECTOR

Place on a new gasket and install the cold start injector with the two bolts.

**Torque: 75 kg-cm (65 in-lb, 7.4 N-m)**

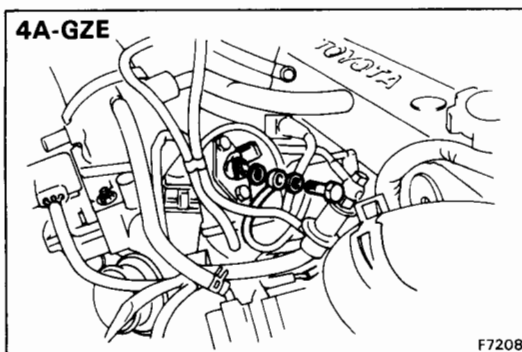


### 2. INSTALL COLD START INJECTOR PIPE

Using new gaskets, connect the cold start injector pipe to the delivery pipe and cold start injector. Install the union bolts.

**Torque: 180 kg-cm (13 ft-lb, 18 N-m)**

### 3. CONNECT COLD START INJECTOR CONNECTOR

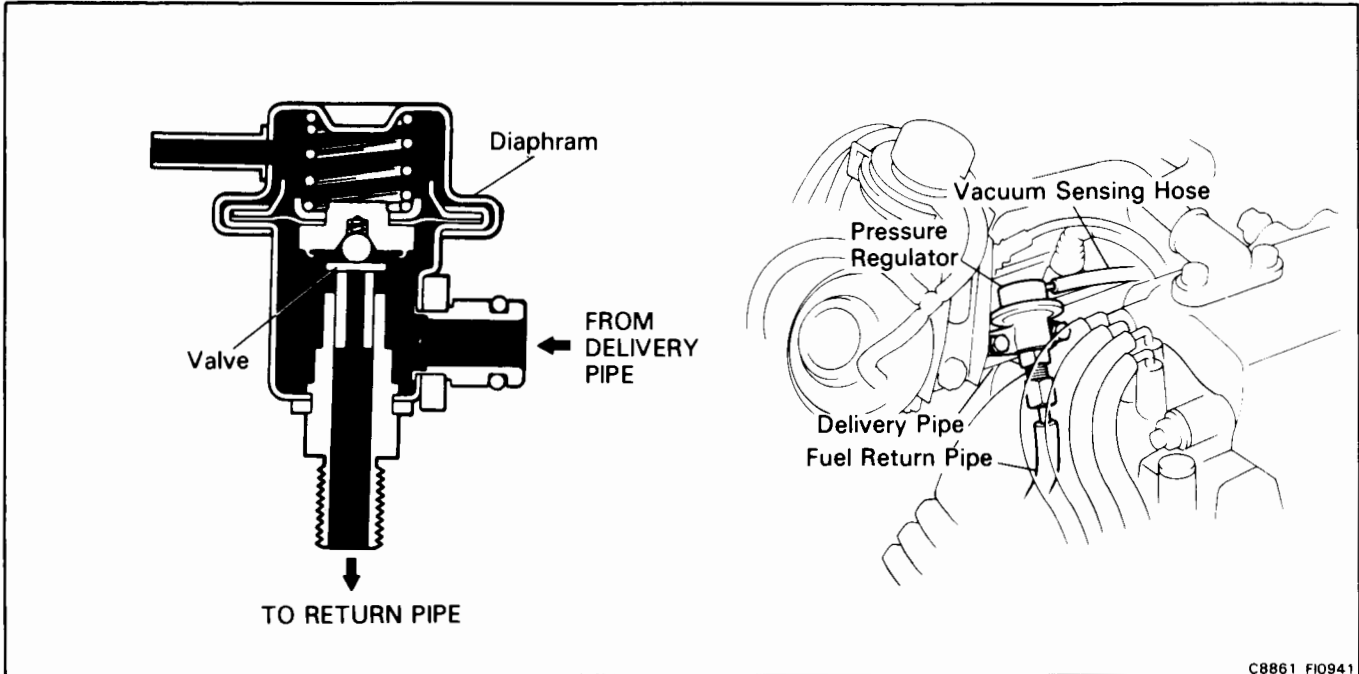


### 4. CONNECT CABLE TO NEGATIVE TERMINAL OF BATTERY

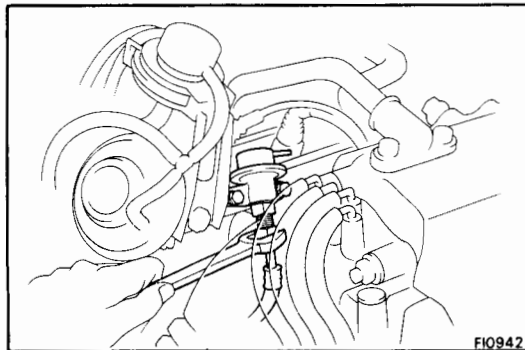
### 5. CHECK FOR FUEL LEAKAGE



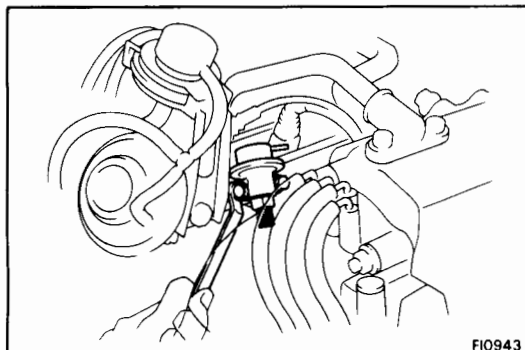
## Pressure Regulator (4A-GE)



C8861 FI0941



FI0942



FI0943

### ON-VEHICLE INSPECTION

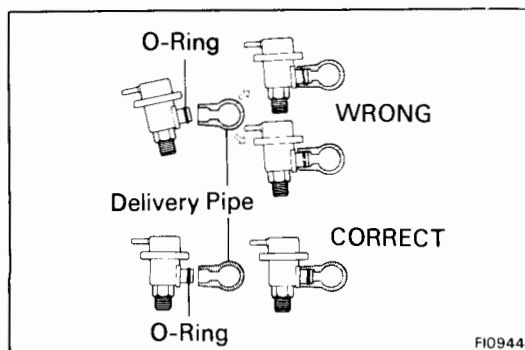
**CHECK FUEL PRESSURE** (See page FI-40)

### REMOVAL OF PRESSURE REGULATOR

1. **DISCONNECT VACUUM SENSING HOSE FROM PRESSURE REGULATOR**
2. **DISCONNECT FUEL PIPE FROM PRESSURE REGULATOR**
  - (a) Put a suitable container or shop towel under the pressure regulator.
  - (b) Remove the flare nut and fuel pipe.
3. **REMOVE PRESSURE REGULATOR**  
Remove the two bolts and pull out the pressure regulator from the delivery pipe.

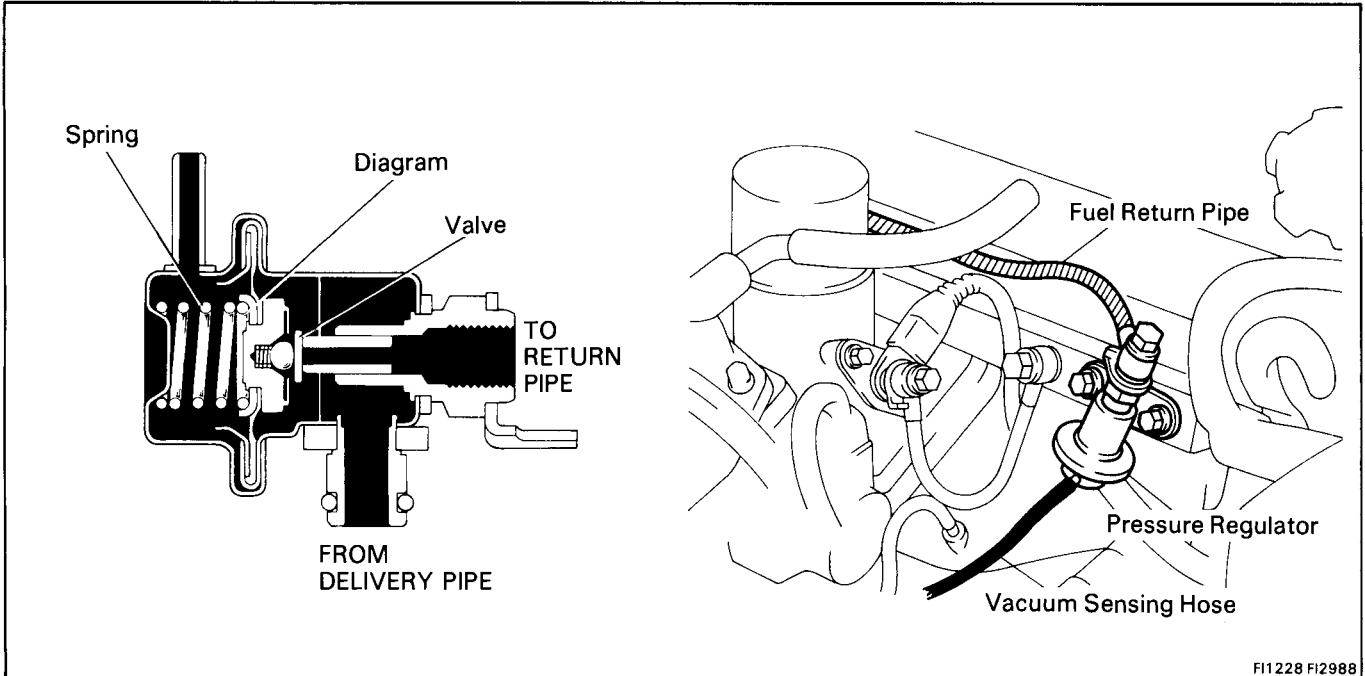
### INSTALLATION OF PRESSURE REGULATOR

1. **INSTALL PRESSURE REGULATOR**  
Install a new o-ring and the pressure regulator, and torque the two bolts.  
**Torque: 75 kg-cm (65 in-lb, 7.4 N·m)**
2. **CONNECT FUEL PIPE**  
**Torque: 300 kg-cm (22 ft-lb, 29 N·m)**
3. **CONNECT VACUUM SENSING HOSE**
4. **CHECK FOR FUEL LEAKAGE** (See page FI-8)

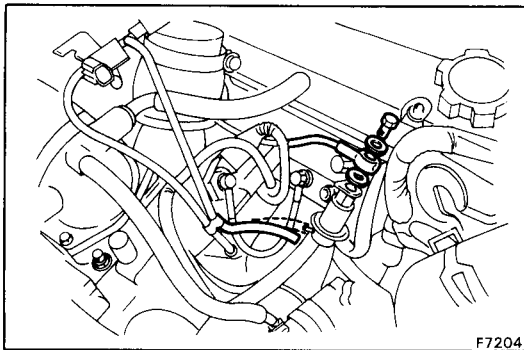


FI0944

## Pressure Regulator (4A-GZE)



FI1228 FI2988



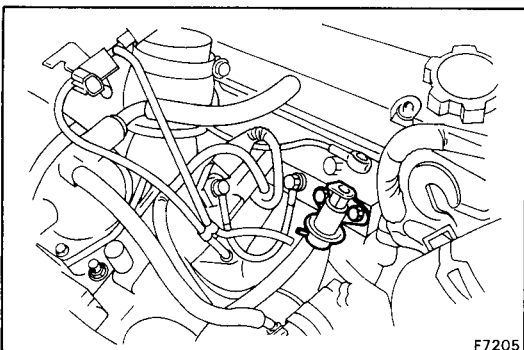
F7204

### ON-VEHICLE INSPECTION

**CHECK FUEL PRESSURE** (See page FI-65)

### REMOVAL OF PRESSURE REGULATOR

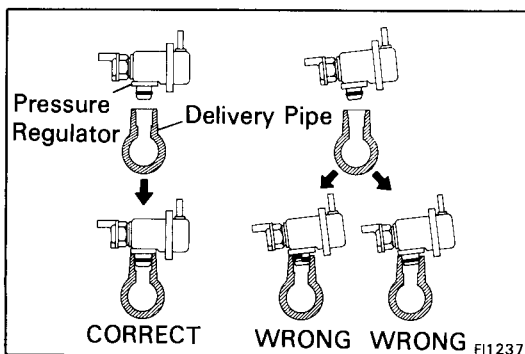
1. **DISCONNECT VACUUM SENSING HOSE FROM PRESSURE REGULATOR**
2. **DISCONNECT FUEL PIPE FROM PRESSURE REGULATOR**
  - (a) Put a suitable container or shop towel under the pressure regulator.
  - (b) Remove the union bolt, two gaskets and disconnect the fuel pipe.
3. **REMOVE PRESSURE REGULATOR**  
Remove the two bolts and pull out the pressure regulator from the delivery pipe.



F7205

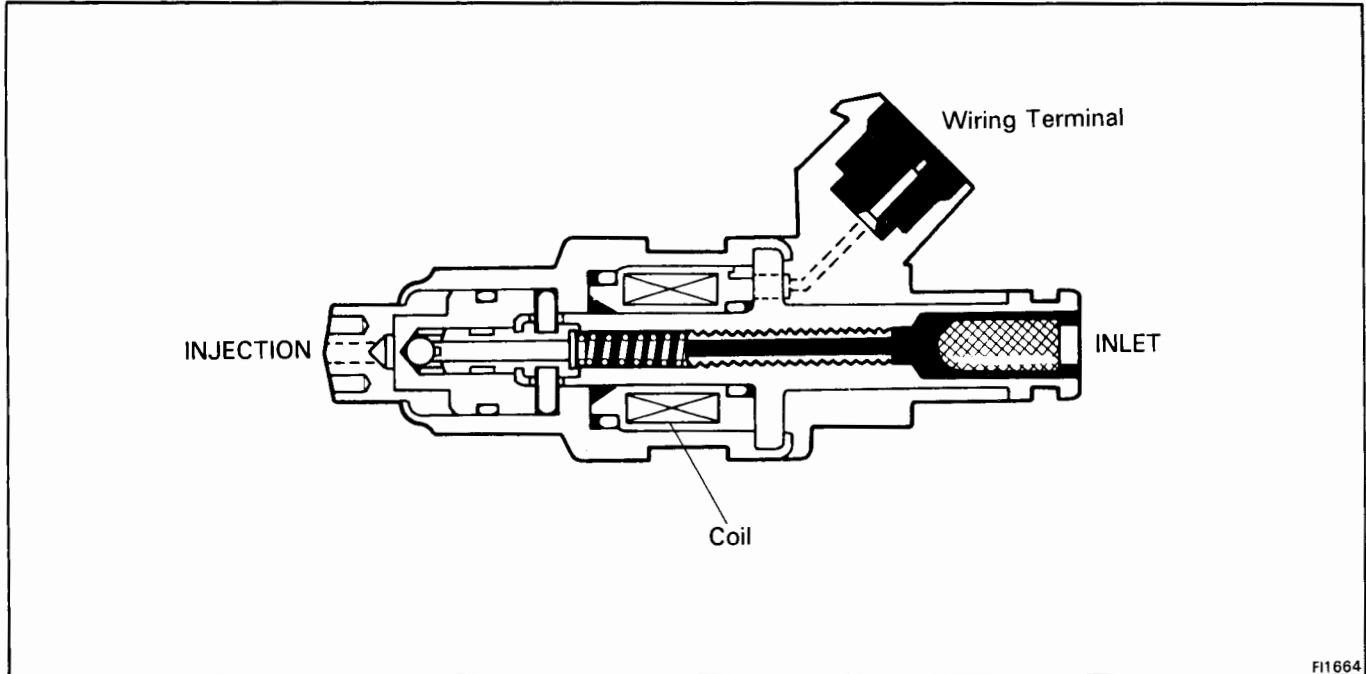
### INSTALLATION OF PRESSURE REGULATOR

1. **INSTALL PRESSURE REGULATOR**  
Install a new o-ring and the pressure regulator, and torque the two bolts.  
**Torque: 75 kg-cm (65 in-lb, 7.4 N·m)**
2. **CONNECT FUEL HOSE**  
Install two new gasket, fuel hose and union bolt.  
**Torque: 150 kg-cm (11 ft-lb, 15 N·m)**
3. **CONNECT VACUUM SENSING HOSE**
4. **CHECK FOR FUEL LEAKAGE** (See page FI-8)

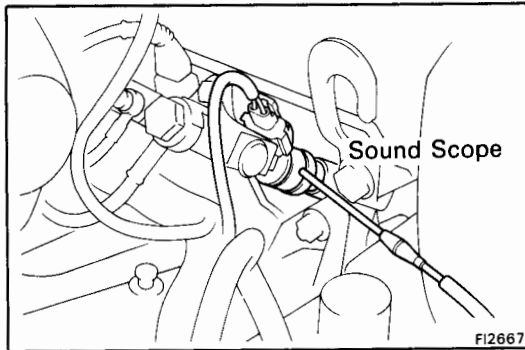


FI1237

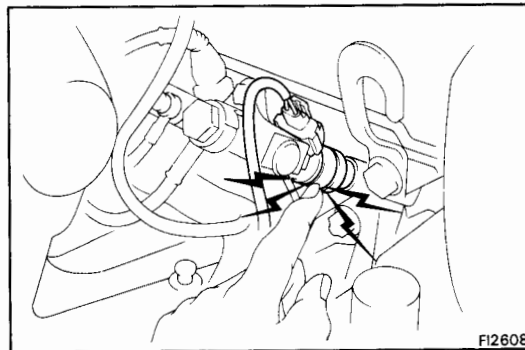
## Injector



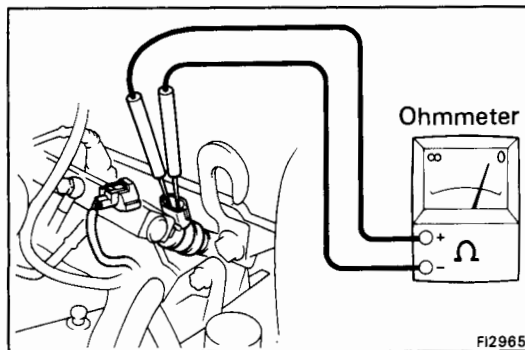
F11664



F12667



F12608



F12965

### ON-VEHICLE INSPECTION

#### 1. CHECK INJECTOR OPERATION

Check the operating sound from each injector.

- (a) With the engine running or cranking, use a sound scope to check that there is normal operating noise in proportion to engine rpm.

- (b) If you have no sound scope, you can check the injector transmission operation with your finger.

If no sound or an unusual sound is heard, check the wiring connector, injector, resistor or injection signal from the computer.

#### 2. MEASURE RESISTANCE OF INJECTOR

- (a) Disconnect the injector connector.
- (b) Using an ohmmeter, check the resistance of both terminals.

Resistance: 4A-GE    Approx. 13.8 Ω  
 4A-GZE    Approx. 2.9 Ω

## REMOVAL OF INJECTOR (4A-GE)

1. **DISCONNECT CABLE FROM NEGATIVE TERMINAL OF BATTERY**

2. **DISCONNECT FOLLOWING HOSES:**

- (a) PCV hose from cylinder head cover
- (b) Vacuum sensing hose from pressure regulator

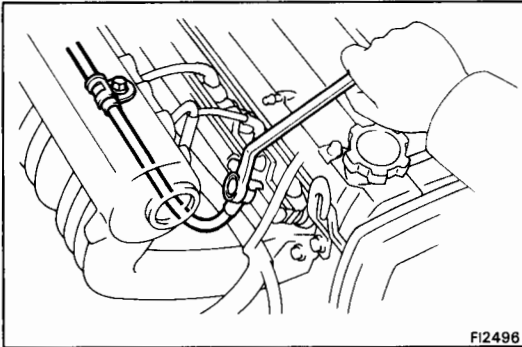
3. **REMOVE PRESSURE REGULATOR**  
(See page FI-78)

4. **REMOVE COLD START INJECTION PIPE**  
(See step 3 on page FI-74)

5. **DISCONNECT FUEL PIPE**

- (a) Remove the inlet pipe mounting bolt.
- (b) Remove the union bolt, two gaskets and fuel pipe.

6. **DISCONNECT INJECTOR CONNECTORS**

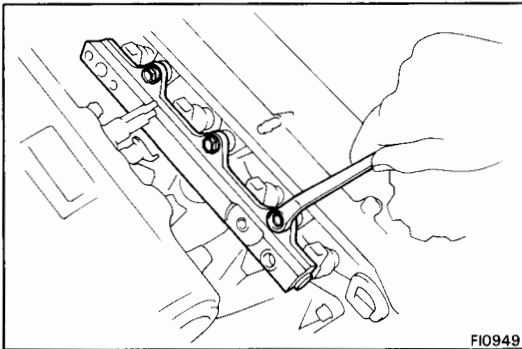


7. **REMOVE DELIVERY PIPE**

- (a) Remove the three bolts, and then remove the delivery pipe with the injectors.

NOTE: When removing the delivery pipe, be careful not to drop the injectors.

- (b) Remove the four insulators and three collars from the cylinder head.

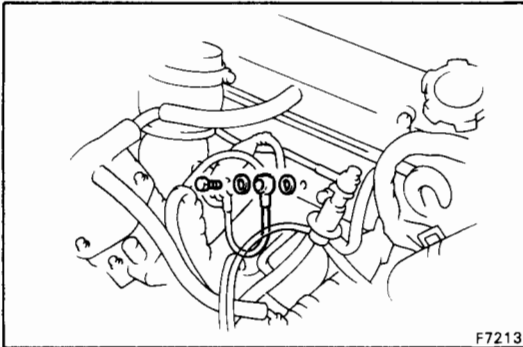


8. **REMOVE INJECTORS**

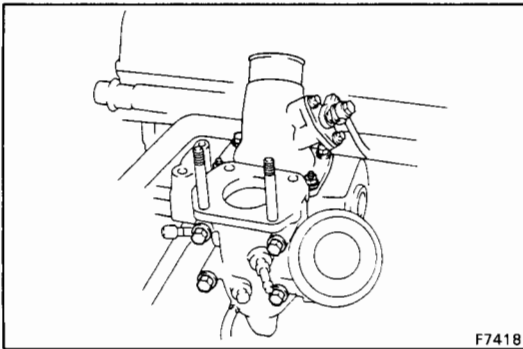
Pull out the injectors from the delivery pipe.

## REMOVAL OF INJECTOR (4A-GZE)

1. DISCONNECT CABLE FROM NEGATIVE TERMINAL OF BATTERY
2. REMOVE THROTTLE BODY (See page FI-99)



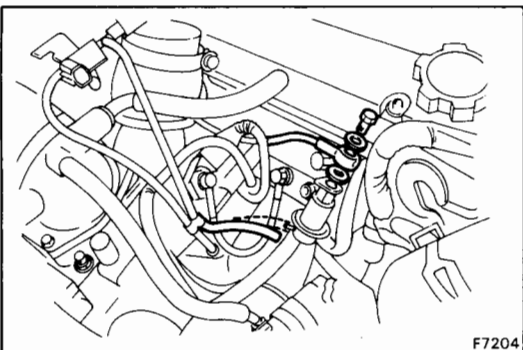
3. DISCONNECT COLD START INJECTOR PIPE
  - (a) Disconnect the cold start injector connector.
  - (b) Remove the union bolt and two gaskets, and disconnect the fuel pipe.



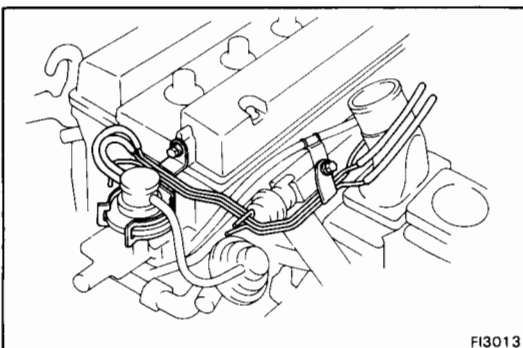
4. LOOSEN AIR OUT LET DUCT  
Loosen the two bolts, two nuts of air outlet duct.

5. REMOVE ACCELERATOR CABLE BRACKET

6. DISCONNECT INJECTOR CONNECTORS



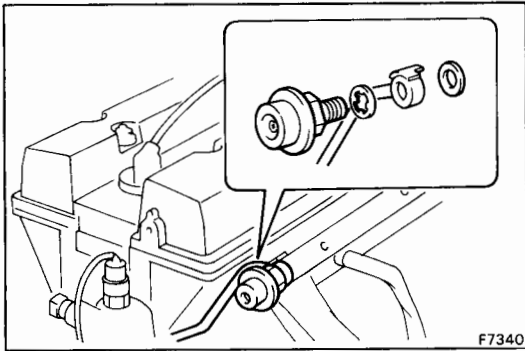
7. DISCONNECT FUEL RETURN PIPE
  - (a) Remove the clamp bolt, union bolt and two gaskets, and disconnect the fuel pipe.
  - (b) Disconnect the vacuum hose from pressure regulator.



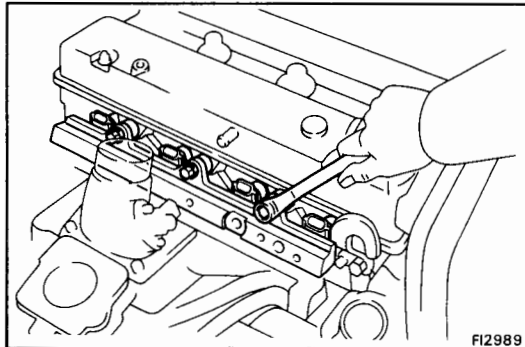
8. DISCONNECT EGR VACUUM HOSE FROM MODULATOR

9. REMOVE VACUUM PIPE  
Remove the three clamp bolts and vacuum pipe.

10. REMOVE PRESSURE REGULATOR  
(See page FI-79)

**8. REMOVE FUEL INLET PIPE**

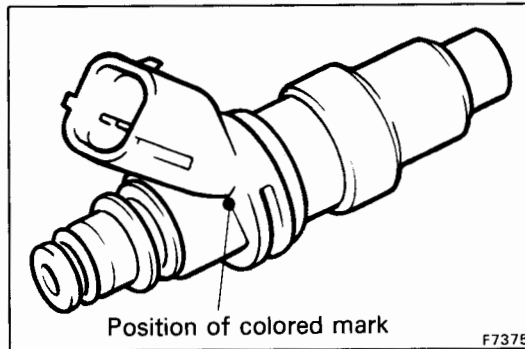
- (a) Remove the clamp bolt.
- (b) Remove the pulsation damper and two gaskets, and disconnect the fuel inlet pipe from the delivery pipe.

**9. REMOVE DELIVERY PIPE**

- (a) Remove the three bolts, and then remove the delivery pipe with the injectors.

**NOTE:** When removing the delivery pipe, be careful not to drop the injectors.

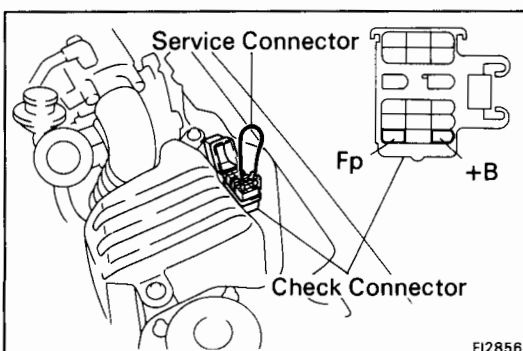
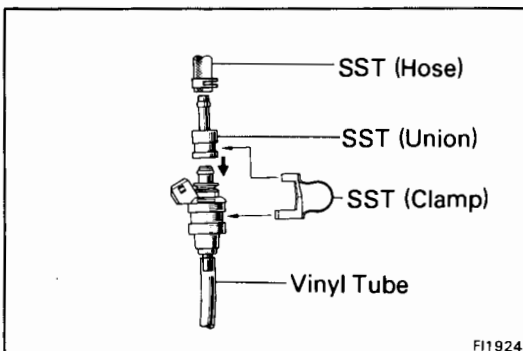
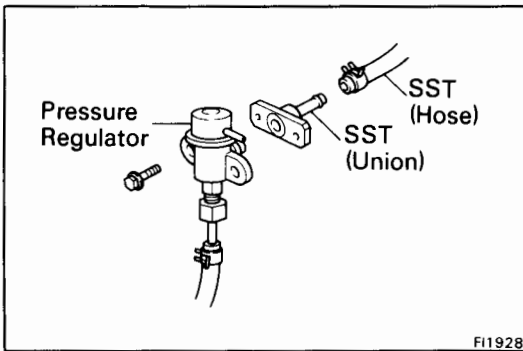
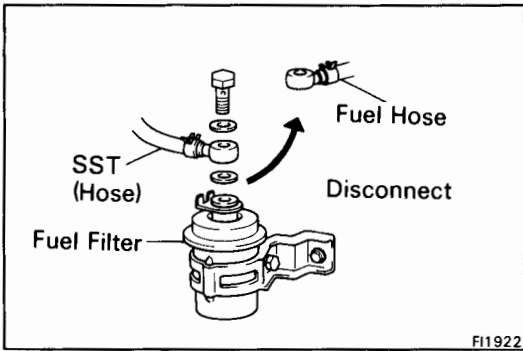
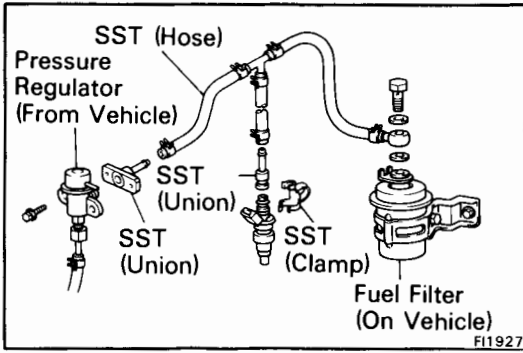
- (b) Remove the four insulators and three collars from the cylinder head.

**10. REMOVE INJECTORS**

Pull out the injectors from the delivery pipe.

**CAUTION:** When replacing the injector, replace it with one having the same-colored painted mark.

Colors: blue, yellow, black, white.



## INSPECTION OF INJECTOR (4A-GE)

### 1. TEST INJECTION OF INJECTORS

**WARNING:** Keep clear of sparks during the test.

- (a) Disconnect the fuel hose from the fuel filter outlet.
- (b) Connect SST (Union) to the fuel filter outlet.

SST 09268-41045

**NOTE:** Use the vehicle's fuel filter.

- (c) Install SST (Union) to the removed pressure regulator.

SST 09268-41045

- (d) Install SST (Union) to the injector and hold the injector and union with SST (Clamp).

SST 09268-41045

- (e) Put the injector into the graduated cylinder.

**NOTE:** Install a suitable vinyl tube onto the injector to prevent gasoline from splashing out.

- (f) Connect the battery cable.

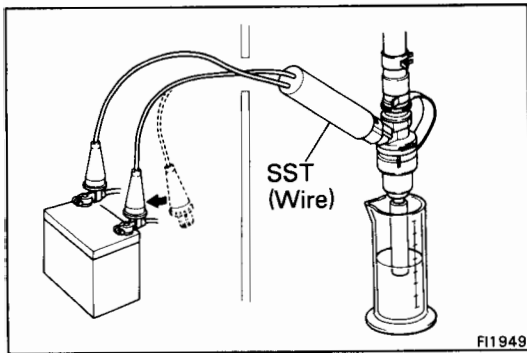
- (g) Turn the ignition switch ON.

**NOTE:** Do not start the engine.

- (h) Using a service wire, short terminals Fp and +B of the check connector.

**NOTE:**

- The fuel pump will operate.
- The check connector is located near the resonator.



- (i) Connect SST (Resistor Wire) to the injector and battery for 15 seconds and measure the injection volume with a graduated cylinder.

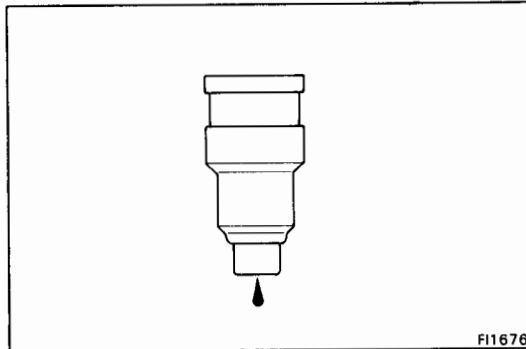
Test each injector two or three times. If not within specified volume, replace the injector.

SST 09842-30070

**Volume: 45 – 55 cc/15 sec. (2.7 – 3.4 cu in.)**

**Difference between each injector:**

**Less than 5 cc (0.3 cu in.)**



## 2. CHECK LEAKAGE

- (a) In the condition above, disconnect SST from the battery and check for fuel leakage from the injector nozzle.

SST 09842-30070

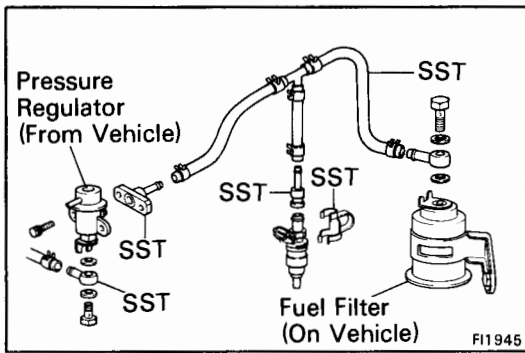
**Fuel drop: Less than one fuel drop of fuel per minute**

- (b) Disconnect the battery cable.

- (c) Remove the SST and disconnect the service wire from the terminals Fp and +B.

SST 09268-41045

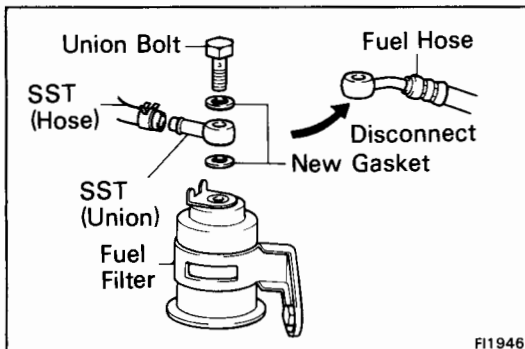




## INSPECTION OF INJECTOR (4A-GZE)

### 1. TEST INJECTION OF INJECTORS

**WARNING:** Keep clear of sparks during the test.

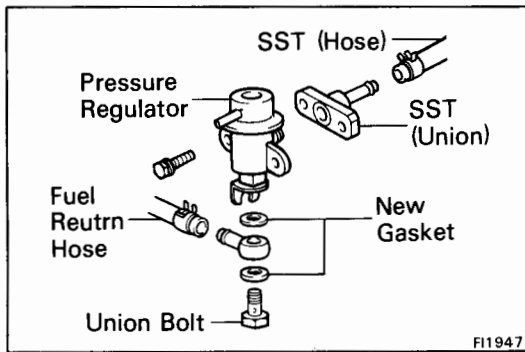


(a) Disconnect the fuel hose from the fuel filter outlet.

(b) Connect SST (Union) to the fuel filter outlet.

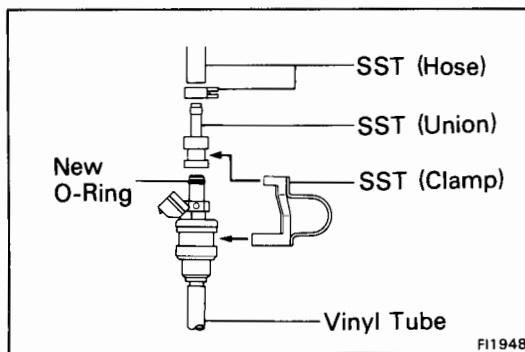
SST 09268-41045

NOTE: Use the vehicle's fuel filter.



(c) Install SST (Union) to the removed pressure regulator.

SST 09268-41045



(d) Install SST (Union) to the injector and hold the injector and union with SST (Clamp.)

SST 09268-41045

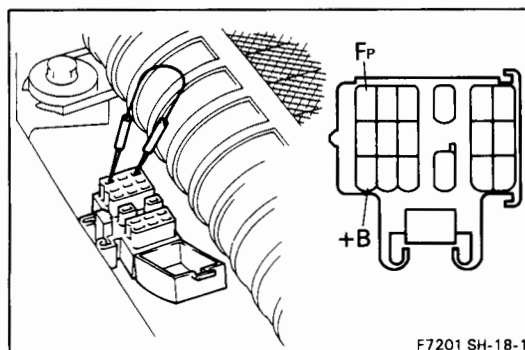
(e) Put the injector into the graduated cylinder.

NOTE: Install a suitable vinyl tube onto the injector to prevent gasoline from splashing out.

(f) Connect the battery cable.

(g) Turn the ignition switch ON.

NOTE: Do not start the engine.

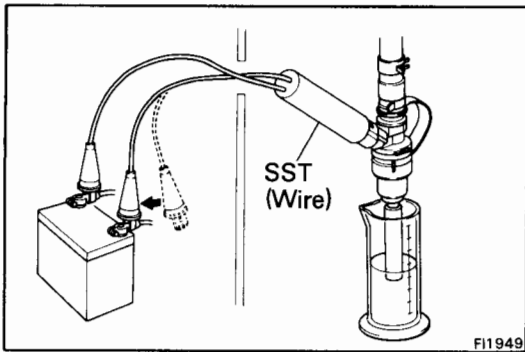


(h) Using a service wire, short terminals Fp and +B of the check connector.

NOTE:

- The fuel pump will operate.

- The check connector is located near the inter-cooler.



- (i) Connect SST (Resistor Wire) to the injector and battery for 15 seconds and measure the injection volume with a graduated cylinder.

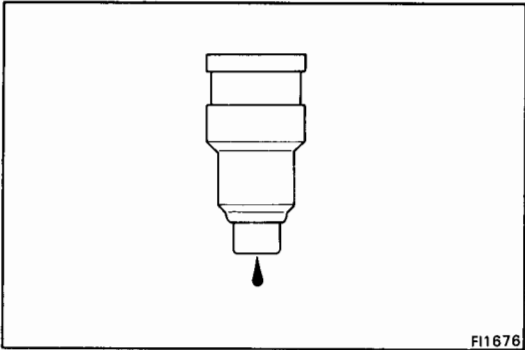
Test each injector two or three times. If not within specified volume, replace the injector.

SST 09842-30060

**Volume: 80 – 100 cc/15 sec. (4.9 – 6.1 cu in.)**

**Difference between each injector:**

**Less than 5 cc (0.3 cu in.)**



## 2. CHECK LEAKAGE

- (a) In the condition above, disconnect SST from the battery and check for fuel leakage from the injector nozzle.

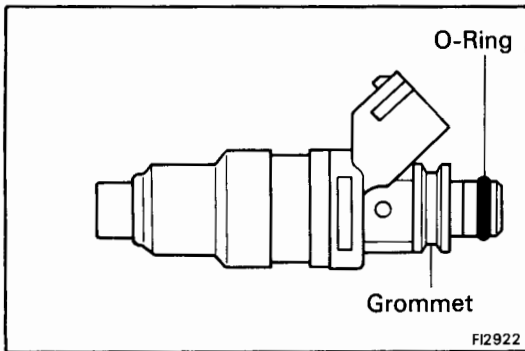
SST 09842-30060

**Fuel drop: Less than one fuel drop of fuel per minute**

- (b) Disconnect the battery cable.

- (c) Remove the SST and disconnect the service wire from the terminals Fp and +B.

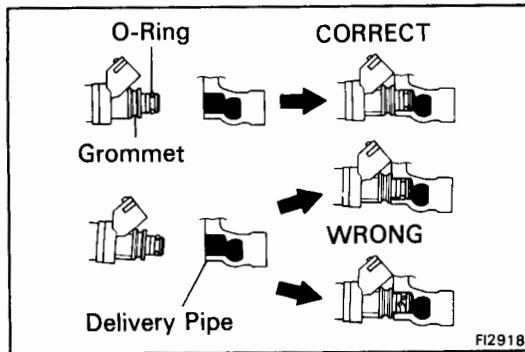
SST 09268-41045



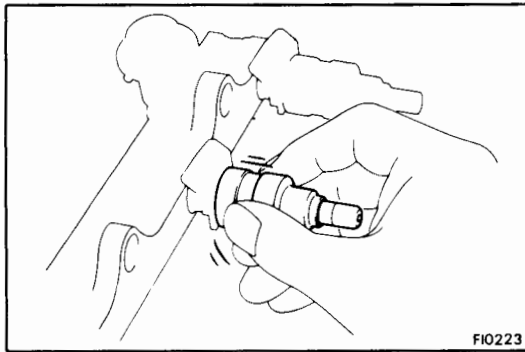
## INSTALLATION OF INJECTORS (4A-GE)

### 1. INSTALL INJECTORS INTO DELIVERY PIPE

(a) Replace the O-ring on to the injector.

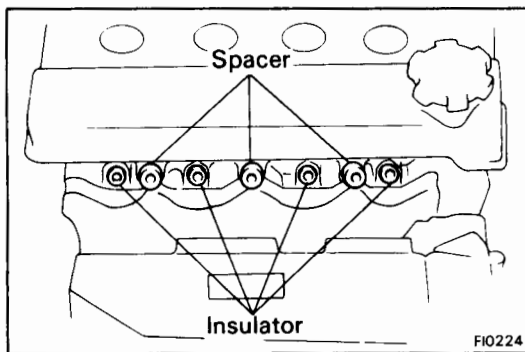


(b) Apply a thin coat of gasoline to the O-rings and install the injectors into the delivery pipe.



(c) Make sure that the injectors rotate smoothly.

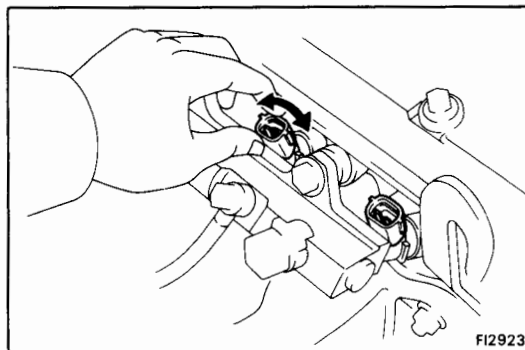
NOTE: If the injectors do not rotate smoothly, the probable cause is incorrect installation of O-rings. Replace the O-rings.



### 2. INSTALL DELIVERY PIPE WITH INJECTORS

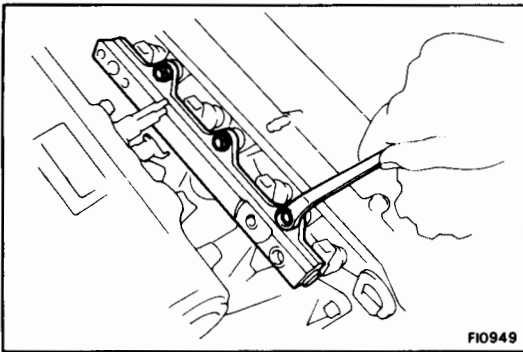
(a) Install the four insulators into the injector hole of the cylinder head.

(b) Install the three collars on the delivery pipe mounting hole of the cylinder head.



(c) Place the injectors together with the delivery pipe on the cylinder head.

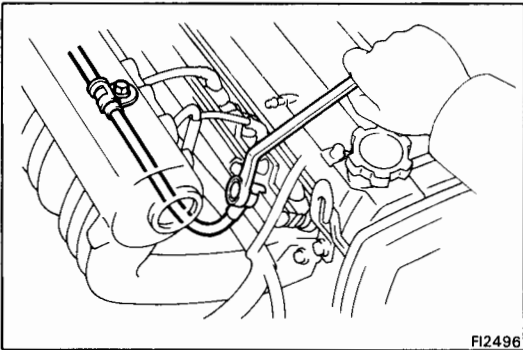
(d) Make sure that the injectors rotate smoothly.



- (e) Install the three thinner spacers and bolts.  
Torque the bolts.

**Torque: 175 kg-cm (13 ft-lb, 17 N-m)**

### 3. CONNECT INJECTOR CONNECTORS



### 4. CONNECT FUEL INLET PIPE

- (a) Place the fuel inlet pipe with two new gaskets on the delivery pipe.  
(b) Install and torque the union bolt.

**Torque: 300 kg-cm (22 ft-lb, 29 N-m)**

### 5. INSTALL COLD START INJECTION PIPE (See steps 3 on page FI-74)

### 6. INSTALL PRESSURE REGULATOR (See page FI-78)

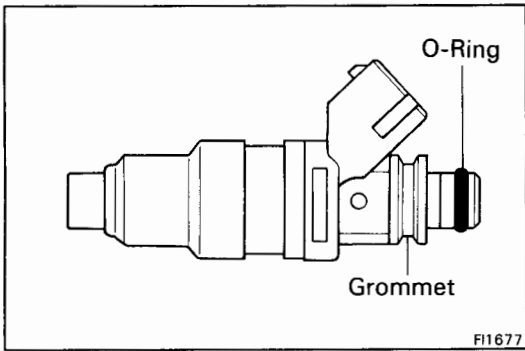
### 7. CONNECT FOLLOWING HOSES:

- (a) PCV hose to the cylinder head cover.  
(b) Vacuum sensing hose to the pressure regulator.

### 8. CONNECT CABLE TO NEGATIVE TERMINAL OF BATTERY

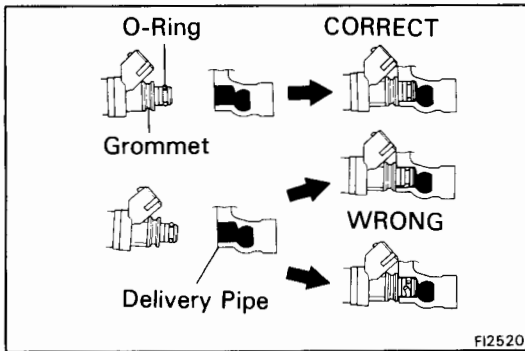
### 9. CHECK FOR FUEL LEAKAGE (See page FI-8)

## INSTALLATION OF INJECTORS (4A-GZE)



### 1. INSTALL INJECTORS INTO DELIVERY PIPE

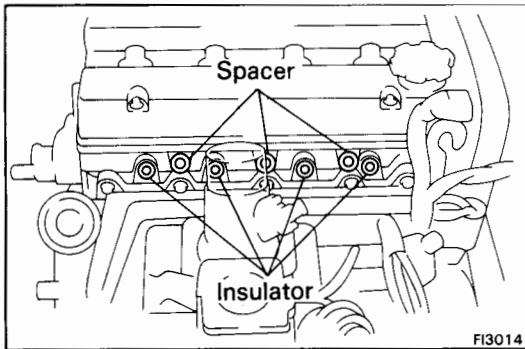
- (a) Replace the O-ring on to the injector.
- (b) Apply a thin coat of gasoline to the O-rings and install the injectors into the delivery pipe.



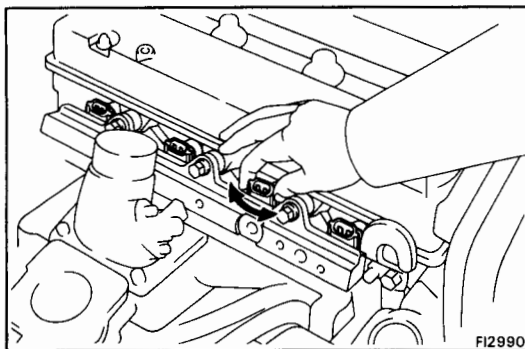
- (c) Make sure that the injectors rotate smoothly.

**NOTE:** If the injectors do not rotate smoothly, the probable cause is incorrect installation of O-rings. Replace the O-rings.

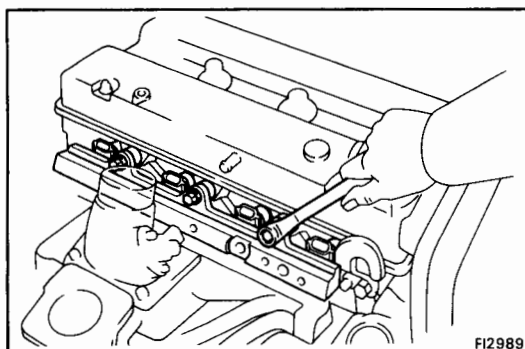
### 2. INSTALL DELIVERY PIPE WITH INJECTORS



- (a) Install the four insulators into the injector hole of the cylinder head.
- (b) Install the three collars on the delivery pipe mounting hole of the cylinder head.

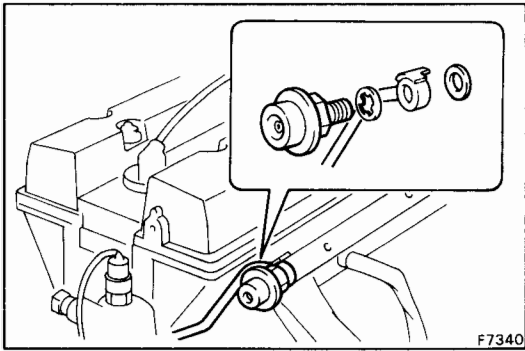


- (c) Place the injectors together with the delivery pipe on the cylinder head.
- (d) Make sure that the injectors rotate smoothly.



- (e) Install the three thinner spacers and bolts.  
Torque the bolts.

**Torque: 175 kg-cm (13 ft-lb, 17 N-m)**

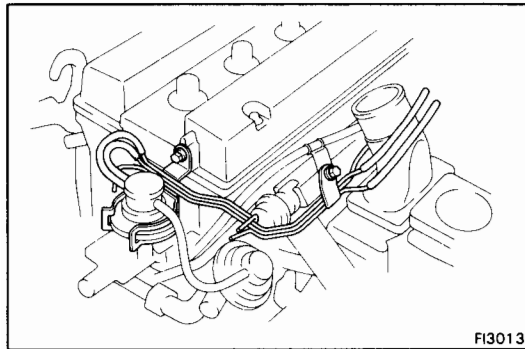
**3. INSTALL FUEL INLET PIPE**

(a) Place the fuel pipe with two new gaskets on the delivery pipe.

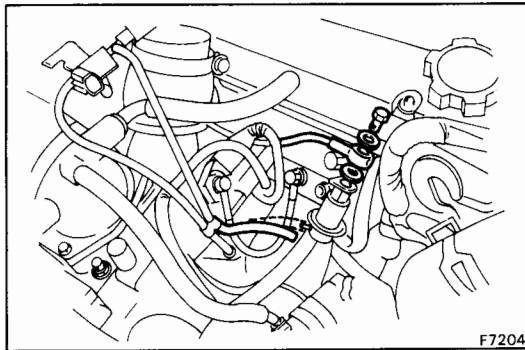
(b) Install and torque the union bolt.

**Torque: 300 kg-cm (22 ft-lb, 29 N·m)**

(c) Install the clamp bolt.

**4. INSTALL PRESSURE REGULATOR  
(See page FI-79)****5. INSTALL VACUUM PIPE**

Install the vacuum pipe and three clamp bolts.

**6. CONNECT EGR VACUUM HOSE TO MODULATOR****7. CONNECT FUEL RETURN PIPE**

(a) Connect the vacuum hose to the pressure regulator.

(b) Place the fuel with two new gaskets on the pressure regulator.

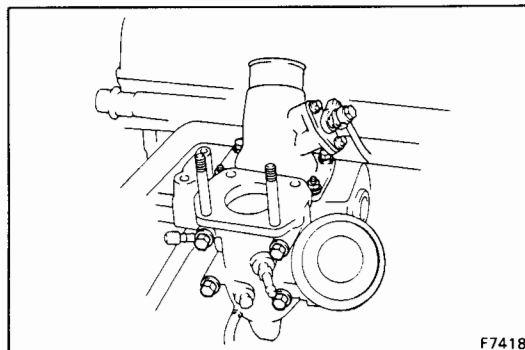
(c) Install and torque the union bolt.

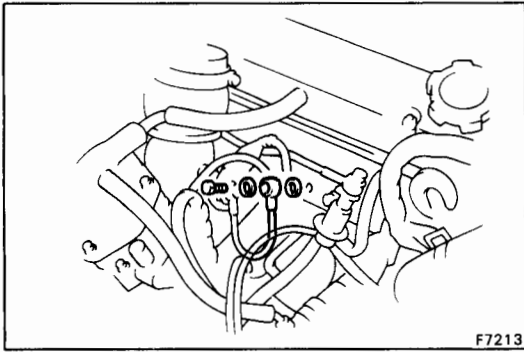
(d) Install the clamp bolt.

**8. CONNECT INJECTOR CONNECTORS****9. INSTALL ACCELERATOR CABLE BRACKET****10. INSTALL AIR OUTLET DUCT**

Tighten the two bolts and two nuts of air outlet duct.

**Torque: 100 kg-cm (7 ft-lb, 10 N·m)**



**11. CONNECT COLD START INJECTOR PIPE**

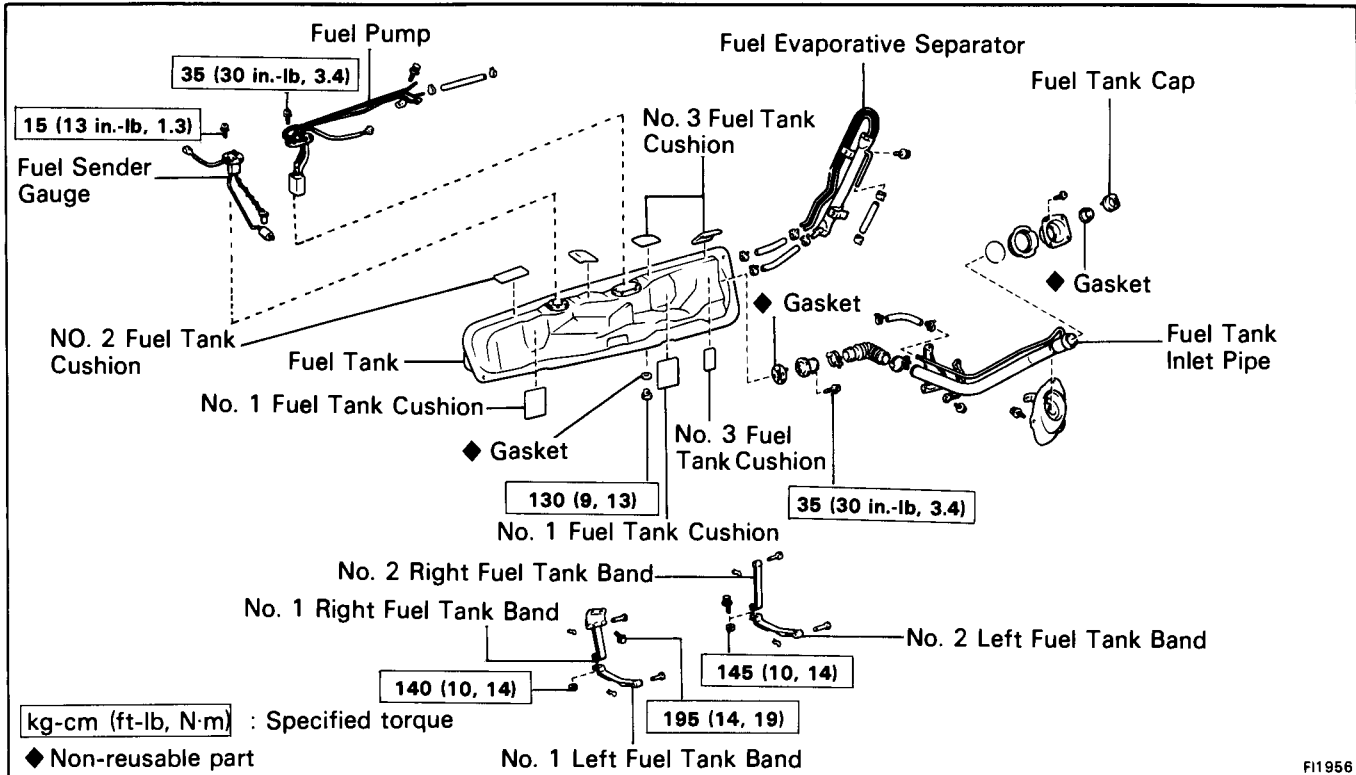
- (a) Place the fuel pipe and two new gaskets.
- (b) Install and torque the union bolt.

**Torque: 150 kg-cm (11 ft-lb, 15 N·m)**

- (c) Connect the cold start injector connector.

**12. INSTALL THROTTLE BODY (See page FI-104)****13. CONNECT CABLE TO NEGATIVE TERMINAL OF BATTERY**

# Fuel Tank and Line COMPONENTS



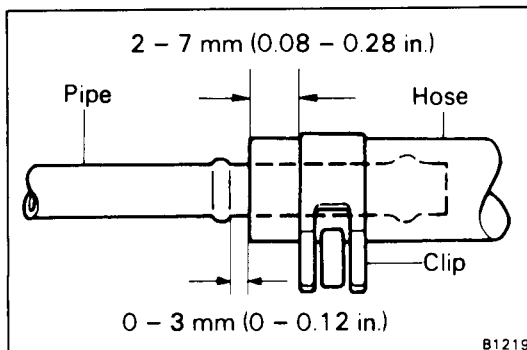
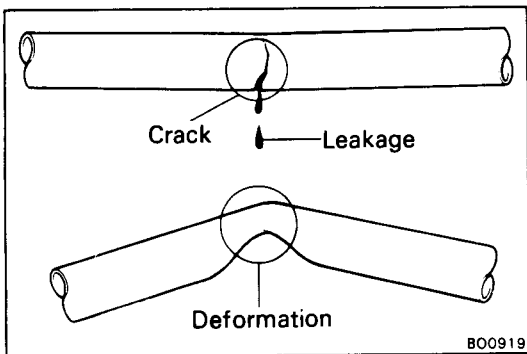
## PRECAUTIONS

1. Always use new gaskets when replacing the fuel tank or component part.
2. When re-installing, be sure to include the rubber protectors on the upper surfaces of the fuel tank and tank band.
3. Apply the proper torque to all parts tightend.

## INSPECT FUEL LINES AND CONNECTIONS

- (a) Inspect the fuel lines for cracks or leakage, and all connections for deformation.
- (b) Inspect the fuel tank vapor vent system hoses and connections for looseness, kinks or damage.
- (c) Inspect the fuel tank for deformation, cracks, fuel leakage or tank band looseness.
- (d) Inspect the filler neck for damage or fuel leakage.
- (e) Hose and tube connections are as shown in the illustration.

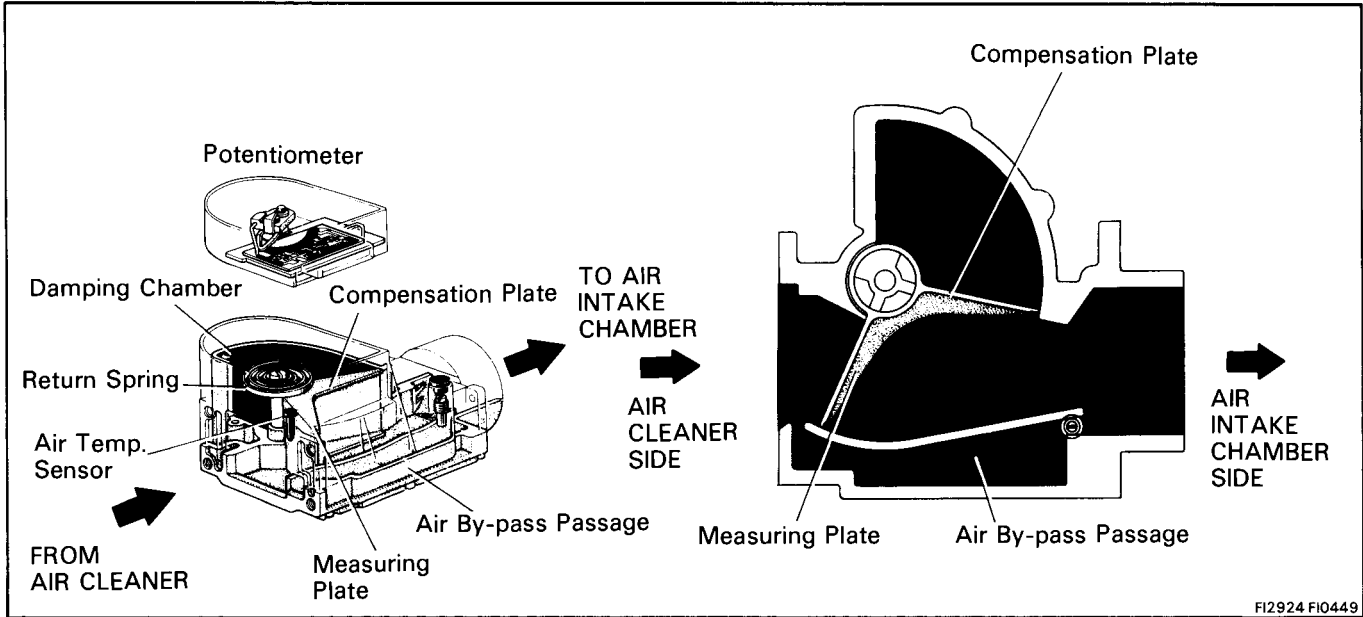
If a problem is found, repair or replace the parts as necessary.



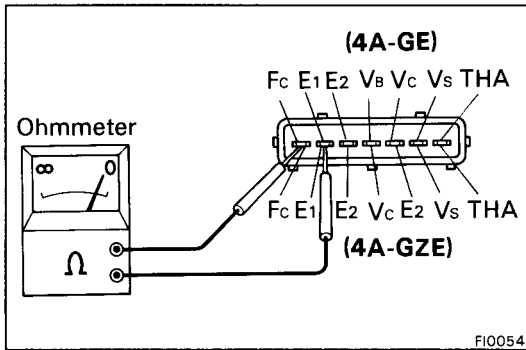


# AIR INDUCTION SYSTEM

## Air Flow Meter



FI2924 FI0449



FI0054

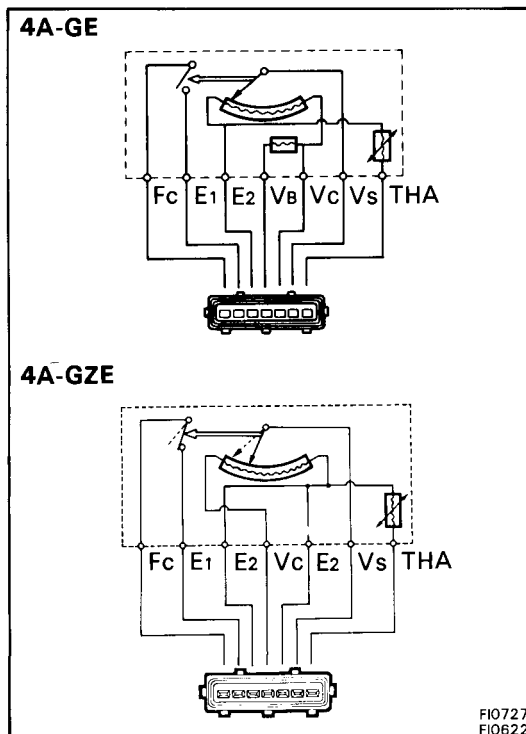
### ON-VEHICLE INSPECTION

#### MEASURE RESISTANCE OF AIR FLOW METER

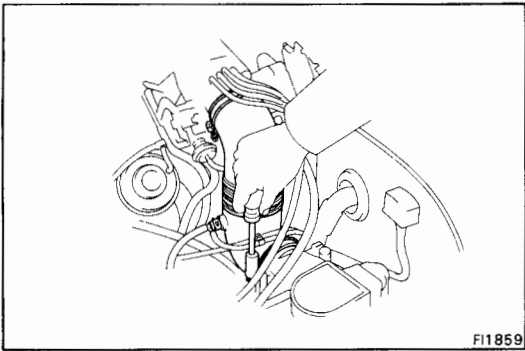
- Disconnect the wiring connector from the air flow meter.
- Using an ohmmeter, measure the resistance between each terminal.

Terminals	Resistance		Temperature
	4A-GE	4A-GZE	
E <sub>2</sub> - V <sub>s</sub>	20 - 3,000 Ω	20 - 1,200 Ω	-
E <sub>2</sub> - V <sub>c</sub>	100 - 300 Ω	200 - 400 Ω	-
E <sub>2</sub> - V <sub>b</sub>	200 - 400 Ω	-	-
E <sub>2</sub> - THA	10 - 20 kΩ		-20°C (-4°F)
	4 - 7 kΩ		0°C (32°F)
	2 - 3 kΩ		20°C (68°F)
	0.9 - 1.3 kΩ		40°C (104°F)
	0.4 - 0.7 kΩ		60°C (140°F)
E <sub>1</sub> - F <sub>c</sub>	Infinity		-

If not within specification, replace the air flow meter.

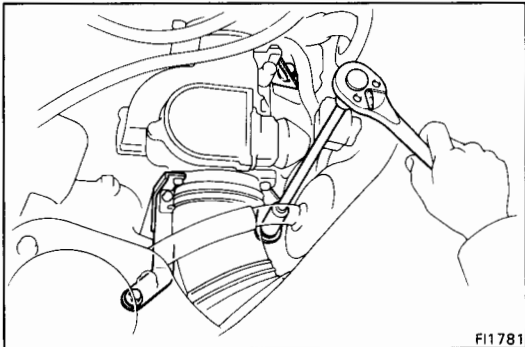


FI0727  
FI0622



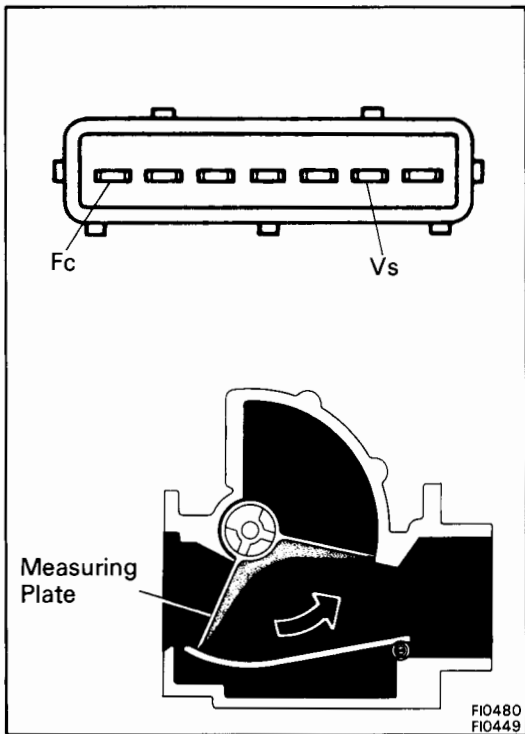
## REMOVAL OF AIR FLOW METER

1. REMOVE RESONATOR (4A-GE) OR INTERCOOLER (4A-GZE)
2. DISCONNECT AIR FLOW METER CONNECTOR
3. DISCONNECT AIR CLEANER HOSES FROM AIR FLOW METER



4. REMOVE AIR FLOW METER

Remove the three bolts and air flow meter.



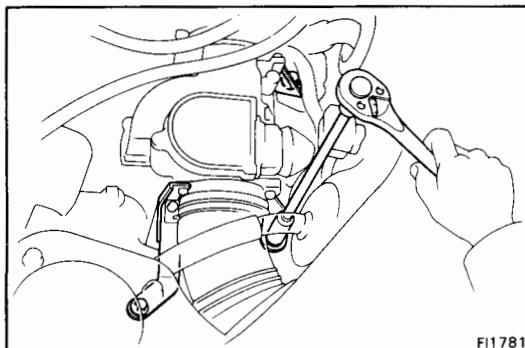
## INSPECTION OF AIR FLOW METER

### MEASURE RESISTANCE OF AIR FLOW METER

Using an ohmmeter, measure the resistance between each terminal by moving the measuring plate.

Terminals	Resistance $\Omega$		Measuring plate opening
	4A-GE	4A-GZE	
E1 - Fc	Infinity		Fully closed
	Zero		Other than closed
E2 - Vs	20 - 400	200 - 600	Fully closed
	20 - 3,000	20 - 1,200	Fully open

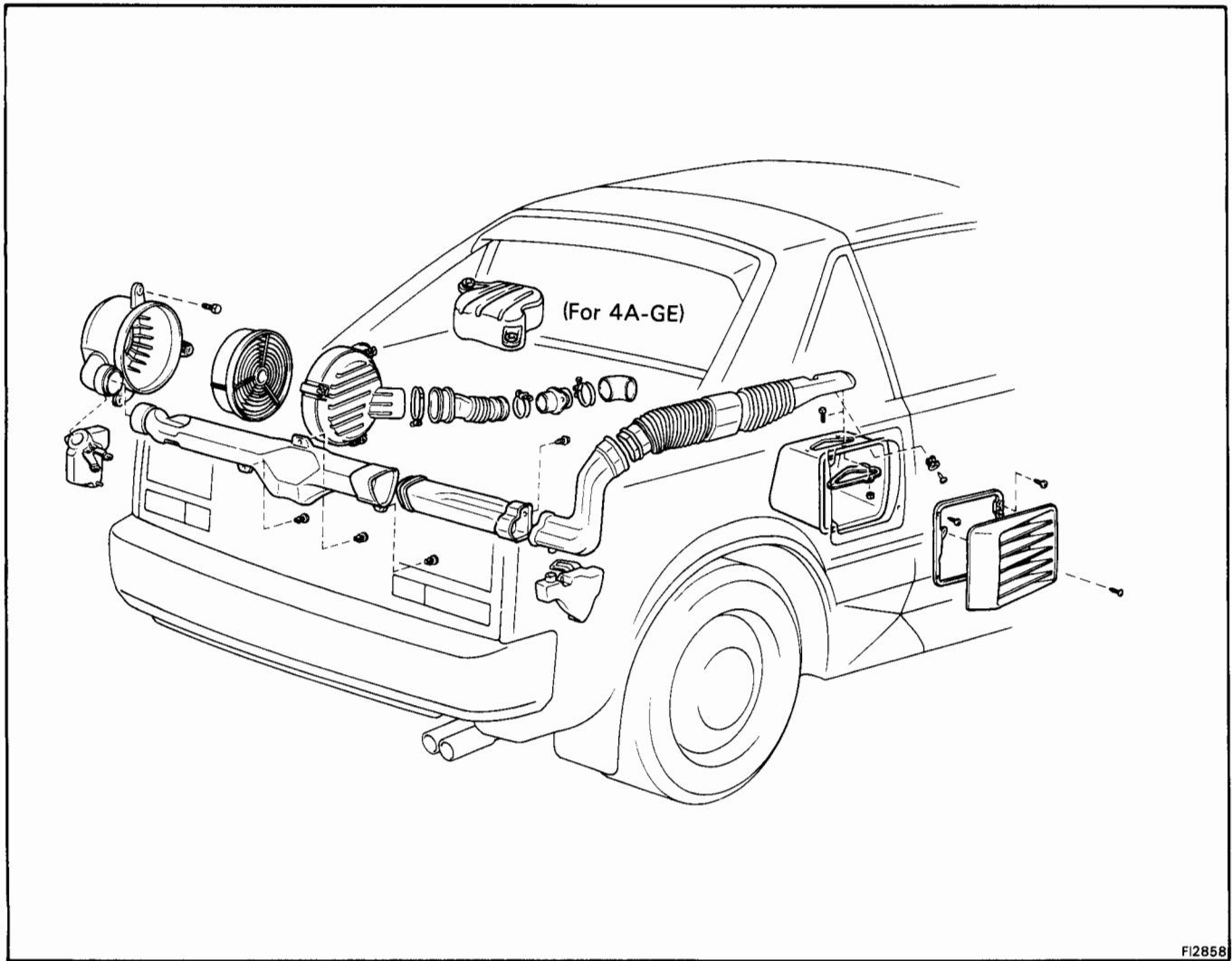
NOTE: Resistance between terminals E2 and Vs will change in a wave pattern as the measuring plate slowly opens.



## INSTALLATION OF AIR FLOW METER

1. INSTALL AIR FLOW METER
2. CONNECT AIR CLEANER HOSES TO AIR FLOW METER
3. CONNECT AIR FLOW METER CONNECTOR
4. INSTALL RESONATOR (4A-GE) OR INTERCOOLER (4A-GZE)

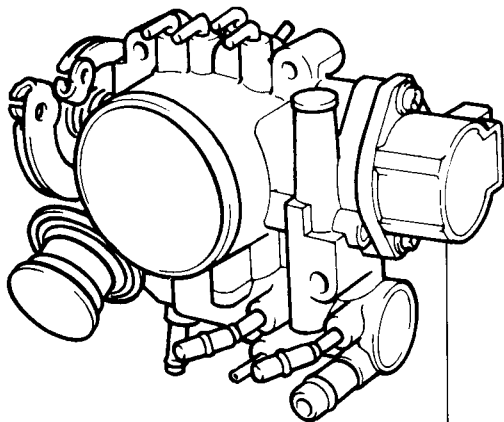
Component



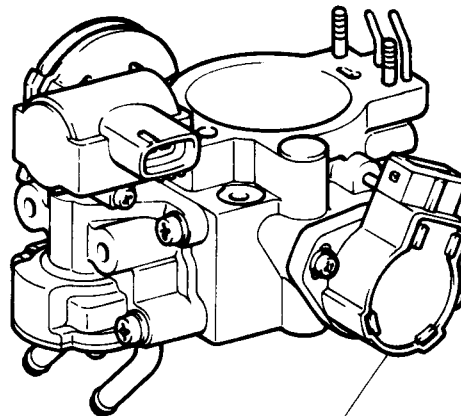
# Throttle Body

4A-GE

4A-GZE

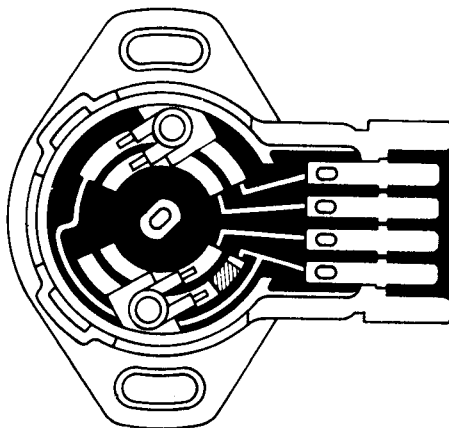


Throttle Position Sensor



Throttle Position Sensor

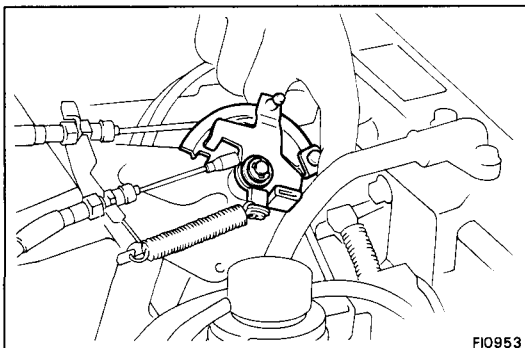
Throttle Position Sensor



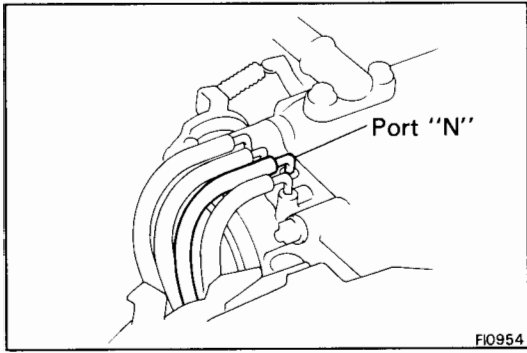
FI2497 FI2991  
FI2973

## ON-VEHICLE CHECK

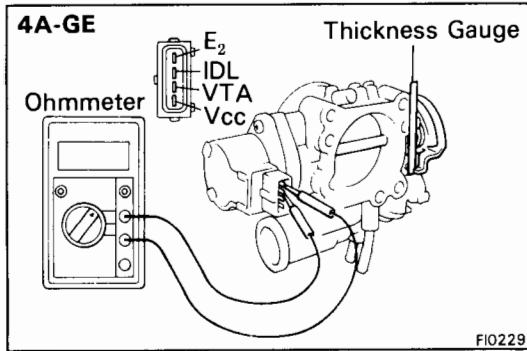
1. **CHECK THROTTLE BODY**
  - (a) Check that the throttle linkage moves smoothly.



FI0953



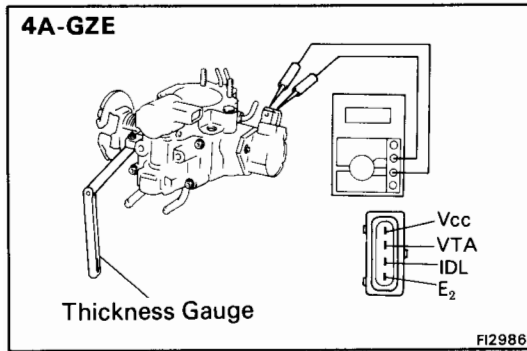
- (b) Check the vacuum at port "N."
- Start the engine.
  - Check the vacuum with your finger.



**2. CHECK THROTTLE POSITION SENSOR**

Check the resistance between the terminals.

- Unplug the connector from the sensor.
- Insert a thickness gauge between the throttle stop screw and stop lever.
- Using an ohmmeter, check the resistance between each terminal.

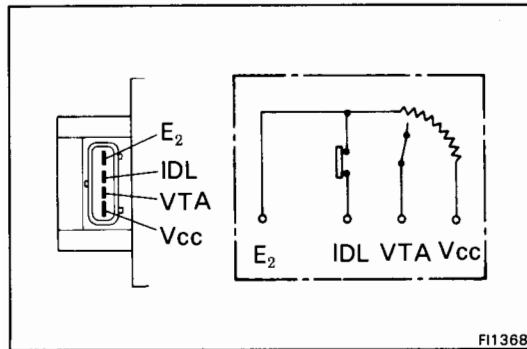


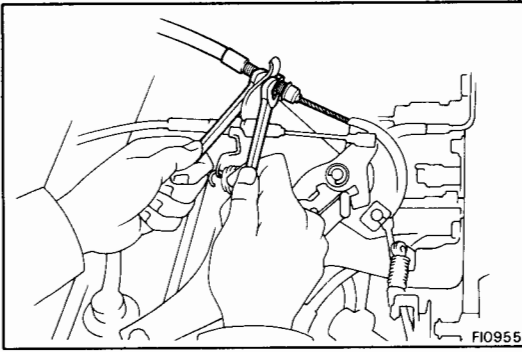
**4A-GE**

Clearance between Lever and stop screw	Between terminals	Resistance
0 mm (0 in.)	VTA - E <sub>2</sub>	0.2 - 0.8 kΩ
0.35 mm (0.0138 in.)	IDL - E <sub>2</sub>	2.3 kΩ or less
0.59 mm (0.0232 in.)	IDL - E <sub>2</sub>	Infinity
Throttle valve fully opened position	VTA - E <sub>2</sub>	3.3 - 10 kΩ
—	Vcc - E <sub>2</sub>	3 - 7 kΩ

**4A-GZE**

Clearance between Lever and stop screw	Between terminals	Resistance
0 mm (0 in.)	VTA - E <sub>2</sub>	0.2 - 0.8 kΩ
0.40 mm (0.0157 in.)	IDL - E <sub>2</sub>	2.3 kΩ or less
0.65 mm (0.0256 in.)	IDL - E <sub>2</sub>	Infinity
Throttle valve fully opened position	VTA - E <sub>2</sub>	3.3 - 10 kΩ
—	Vcc - E <sub>2</sub>	3 - 7 kΩ

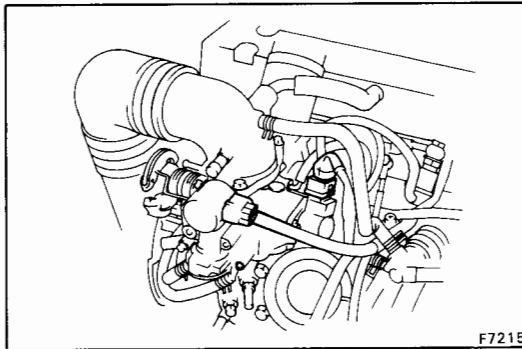
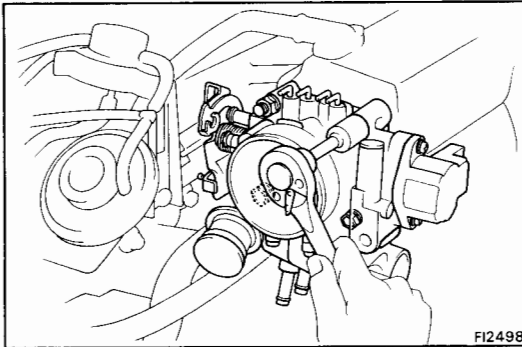




**REMOVAL OF THROTTLE BODY  
(4A-GE)**

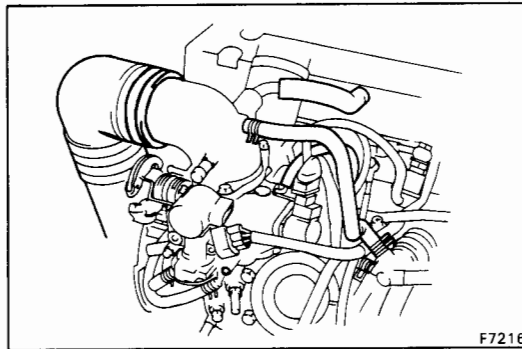
1. DRAIN COOLANT FROM THROTTLE BODY
2. REMOVE AIR CLEANER HOSE NO. 1
3. DISCONNECT THROTTLE POSITION SENSOR CONNECTOR
4. DISCONNECT WATER AND VACUUM HOSES
5. REMOVE ACCELERATOR RETURN SPRING
6. DISCONNECT ACCELERATOR CABLE
7. REMOVE THROTTLE BODY

Remove the two bolts, two nuts and the throttle body with the gasket.

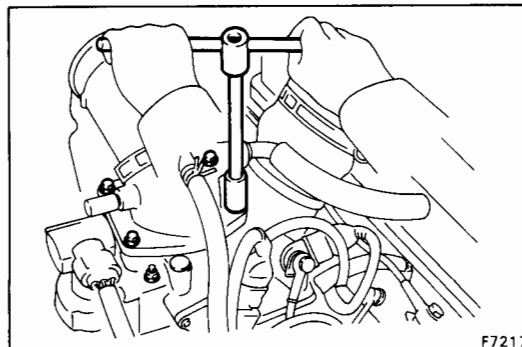


**(4A-GZE)**

1. DRAIN COOLANT FROM THROTTLE BODY
2. DISCONNECT FOLLOWING CONNECTORS:
  - (a) Throttle position sensor connector
  - (b) ISC valve connector

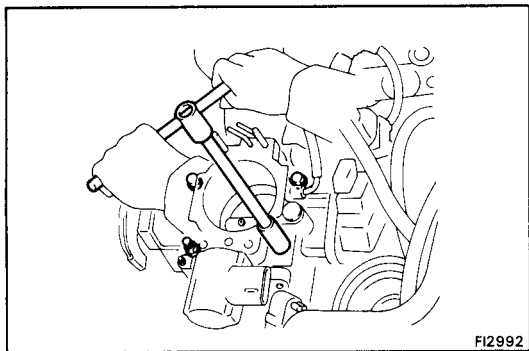


3. DISCONNECT FOLLOWING HOSES:
  - (a) Air cleaner hose
  - (b) Charcoal canister hose
  - (c) ABV vacuum hose
  - (d) PCV hose
  - (e) EGR vacuum hose



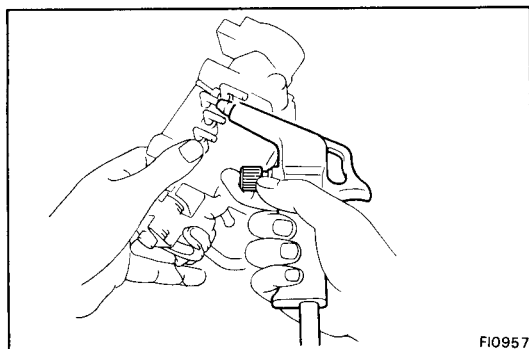
4. DISCONNECT THROTTLE CABLE
5. DISCONNECT THROTTLE CABLE (A/T)
6. REMOVE INTAKE AIR CONNECTOR
 

Remove the two bolts, nuts, air connector and gasket.
7. DISCONNECT TWO WATER BY-PASS HOSES



## 8. REMOVE THROTTLE BODY

Remove the two bolts, two nuts and the throttle body with the gasket.

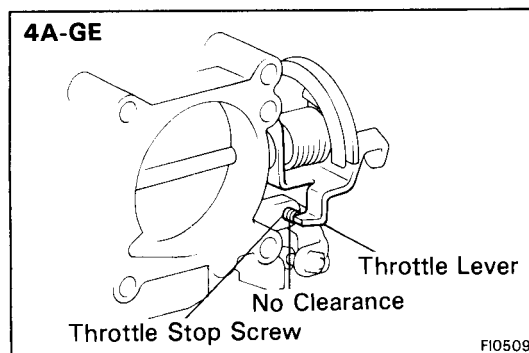


## INSPECTION OF THROTTLE BODY

### 1. CLEAN THROTTLE BODY BEFORE INSPECTION

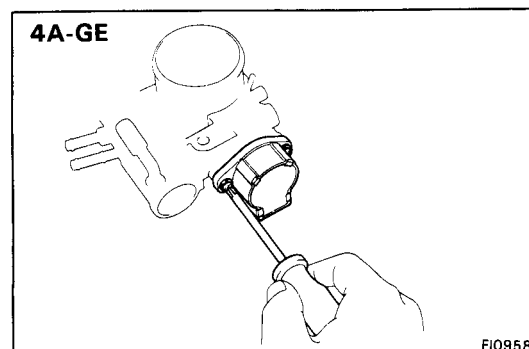
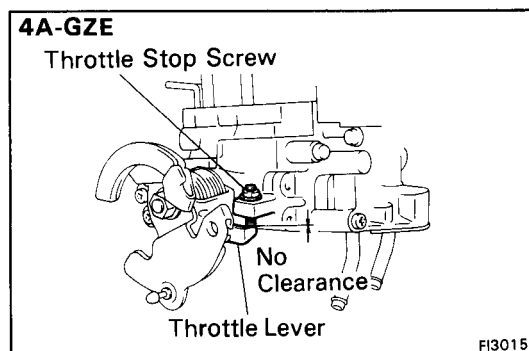
- (a) Wash and clean the cast parts with a soft brush and carburetor cleaner.
- (b) Using compressed air, blow all passages and apertures in the throttle body.

**CAUTION:** To prevent deterioration, do not clean the throttle position sensor and dash pot.



### 2. CHECK THROTTLE VALVE

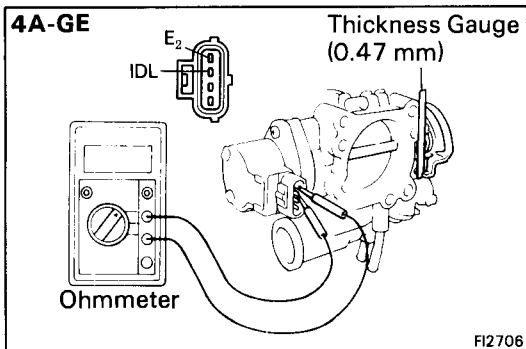
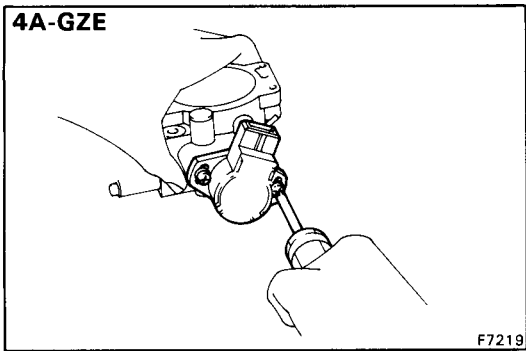
Check that there is no clearance between the throttle stop screw and throttle lever when the throttle valve is fully closed.



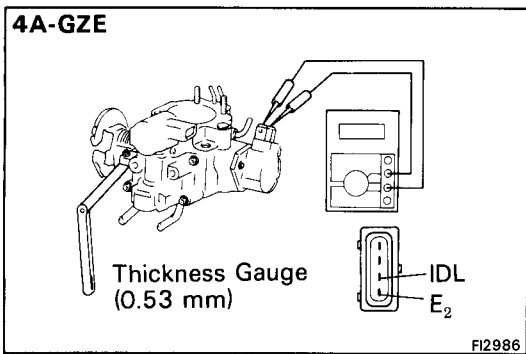
### 3. CHECK THROTTLE POSITION SENSOR (See step 2 on page FI-98)

### 4. IF NECESSARY, ADJUST THROTTLE POSITION SENSOR

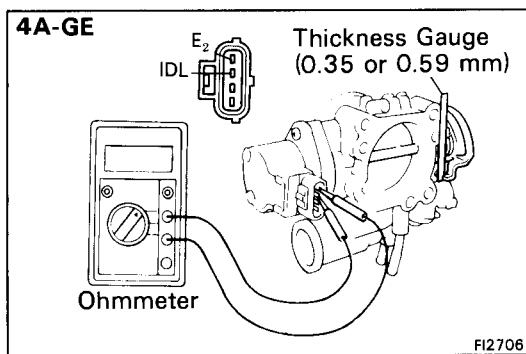
- (a) Loosen the two screws of the sensor.



- (b) (4A-GE)  
 Insert a thickness gauge (0.47 mm or 0.0185 in.) between the throttle stop screw and lever, and connect the ohmmeter to terminals IDL and E<sub>2</sub>. Gradually turn the sensor clockwise until the ohmmeter deflects, and secure the sensor with two screws.



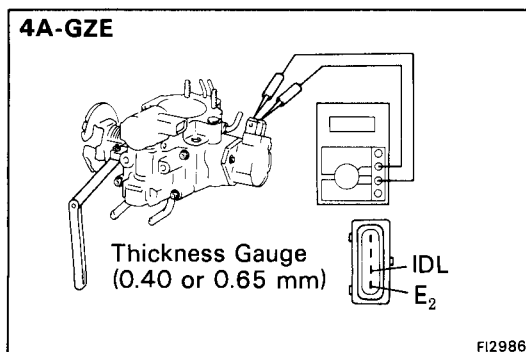
- (b) (4A-GZE)  
 Insert a thickness gauge (0.53 mm or 0.0209 in.) between the throttle stop screw and lever, and connect the ohmmeter to terminals IDL and E<sub>2</sub>. Gradually turn the sensor clockwise until the ohmmeter deflects, and secure the sensor with two screws.



- (c) Using a thickness gauge, recheck the continuity between terminals IDL and E<sub>2</sub>.

(4A-GE)

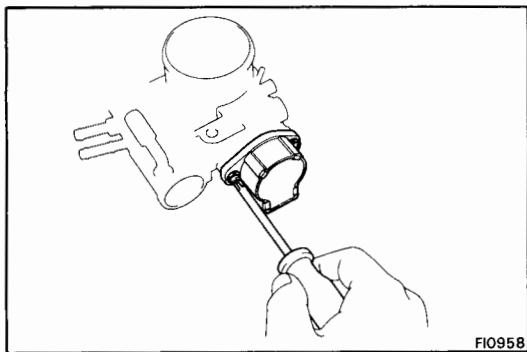
Clearance between lever and stop screw	Continuity (IDL – E <sub>2</sub> )
0.35 mm (0.0138 in.)	Continuity
0.59 mm (0.0232 in.)	No continuity



(4A-GZE)

Clearance between lever and stop screw	Continuity (IDL – E <sub>2</sub> )
0.40 mm (0.0157 in.)	Continuity
0.65 mm (0.0256 in.)	No continuity



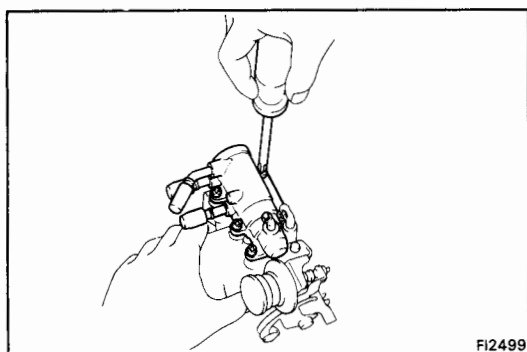


FI0958

## DISASSEMBLY OF THROTTLE BODY (4A-GE)

### 1. REMOVE THROTTLE POSITION SENSOR

Remove the two screws and sensor.

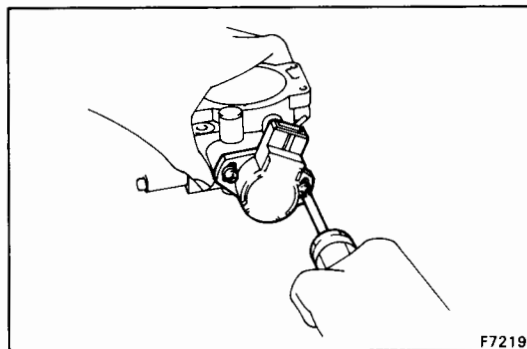


FI2499

### 2. REMOVE AIR VALVE

Remove the five screws, air valve, gasket and O-ring.

### 3. REMOVE DASH POT

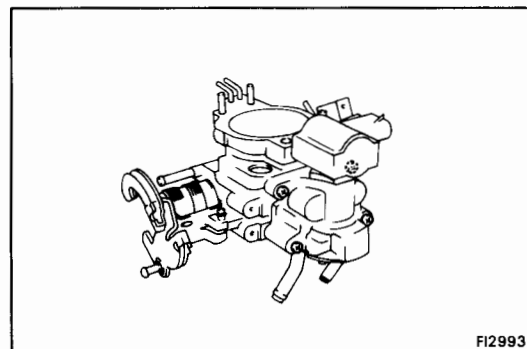


F7219

## (4A-GZE)

### 1. REMOVE THROTTLE POSITION SENSOR

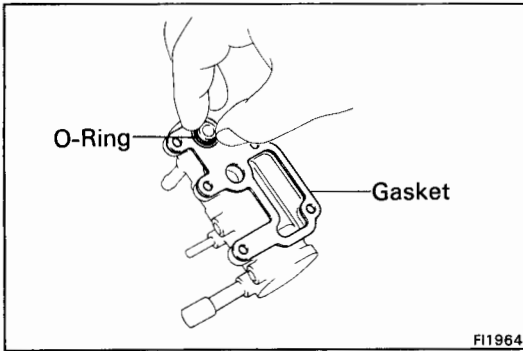
Remove the two screws and sensor.



FI2993

### 2. REMOVE ISC VALVE

Remove the four screws and ISC valve with the gasket.



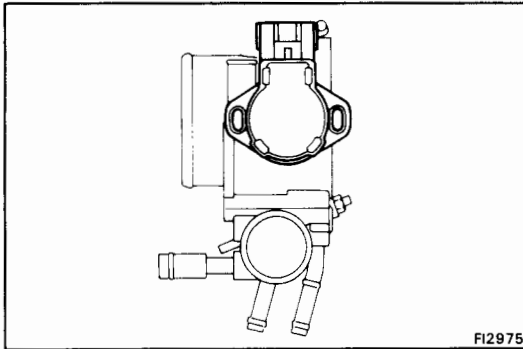
FI1964

**ASSEMBLY OF THROTTLE BODY  
(4A-GE)**

**1. INSTALL DASH POT**

**2. INSTALL AIR VALVE**

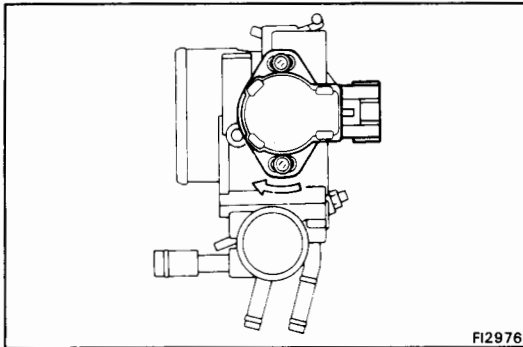
- (a) Place the gasket and O-ring on the throttle body.
- (b) Install the air valve with five screws.



FI2975

**3. INSTALL THROTTLE POSITION SENSOR**

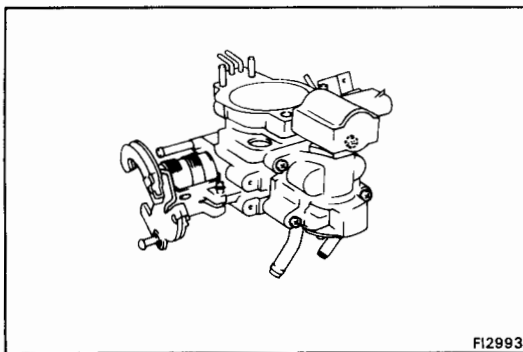
- (a) Check that the throttle valve is fully closed.
- (b) Place the sensor on the throttle body as shown in the figure.



FI2976

- (c) Turn the sensor clockwise, and temporarily install the two screws.

**4. ADJUST THROTTLE POSITION SENSOR  
(See step 4 on page FI-100)**

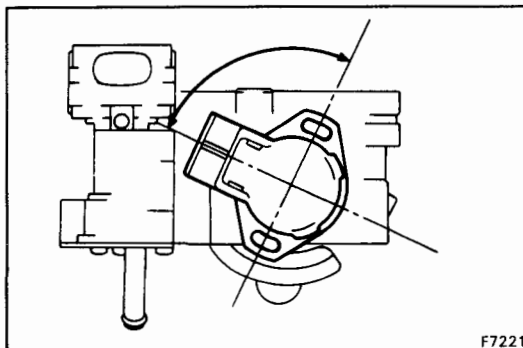


FI2993

**(4A-GZE)**

**1. INSTALL ISC VALVE**

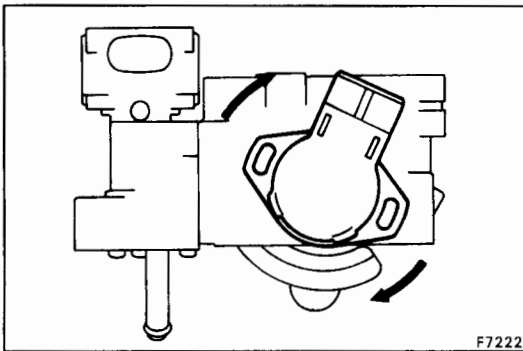
Install a new gasket, ISC valve and four screws.



F7221

**2. INSTALL THROTTLE POSITION SENSOR**

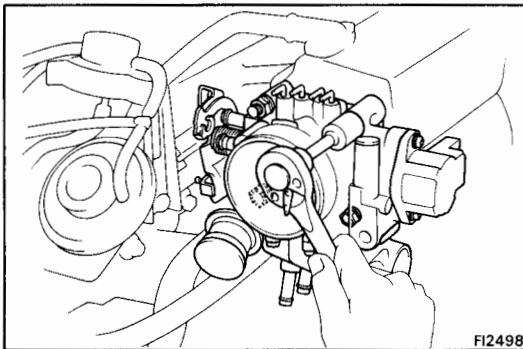
- (a) Check that the throttle valve is fully closed.
- (b) Place the sensor on the throttle body as shown in the figure.



F7222

- (c) Turn the sensor clockwise, and temporarily install the two screws.

**3. ADJUST THROTTLE POSITION SENSOR**  
(See step 4 on page FI-100)



FI2498

**INSTALLATION OF THROTTLE BODY**  
**(4A-GE)**

**1. INSTALL THROTTLE BODY**

Place on a new gasket and install the throttle body with two bolts and two nuts.

**Torque: 220 kg-cm (16 ft-lb, 22 N·m)**

**2. CONNECT ACCELERATOR CABLE**

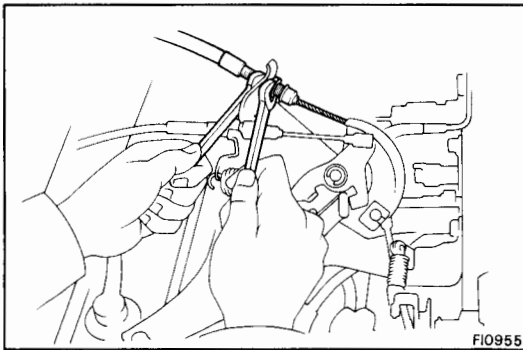
**3. INSTALL ACCELERATOR RETURN SPRING**

**4. CONNECT WATER AND VACUUM HOSES**

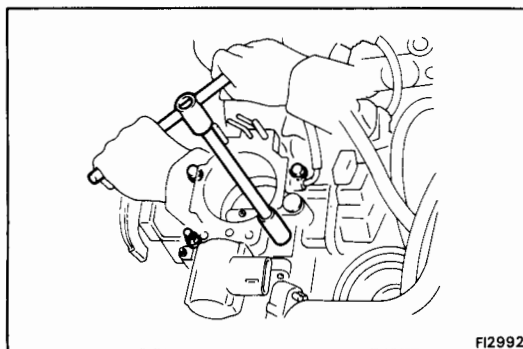
**5. CONNECT THROTTLE POSITION SENSOR CONNECTOR**

**6. INSTALL AIR CLEANER HOSE NO. 1**

**7. REFILL WITH COOLANT**



FI0955



FI2992

**(4A-GZE)**

**1. INSTALL THROTTLE BODY**

Place on a new gasket and install the throttle body with two bolts and two nuts.

**Torque: 220 kg-cm (16 ft-lb, 22 N·m)**

**2. CONNECT TWO WATER BY-PASS HOSES**

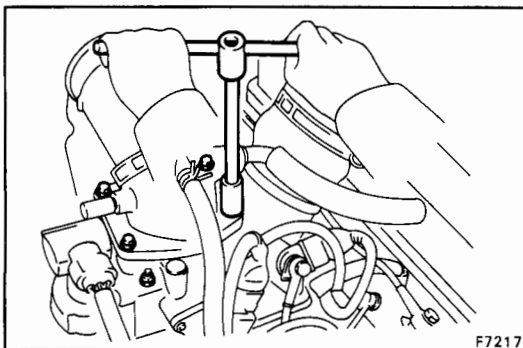
**3. INSTALL INTAKE AIR CONNECTOR**

Place on a new gasket and install the throttle body with two bolts and two nuts.

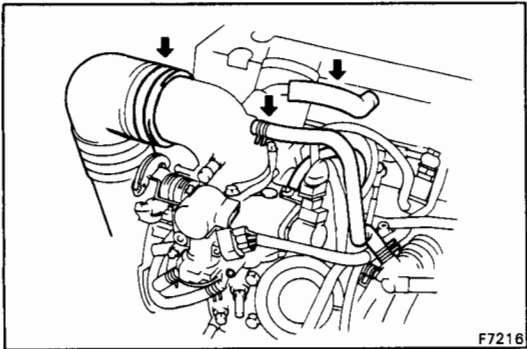
**Torque: 100 kg-cm (7 ft-lb, 10 N·m)**

**4. CONNECT THROTTLE CABLE (A/T)**

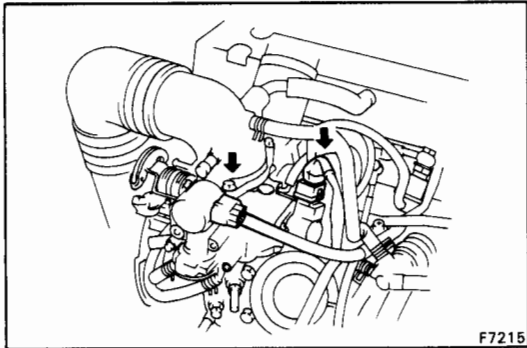
**5. CONNECT ACCELERATOR CABLE**



F7217

**6. CONNECT FOLLOWING HOSES:**

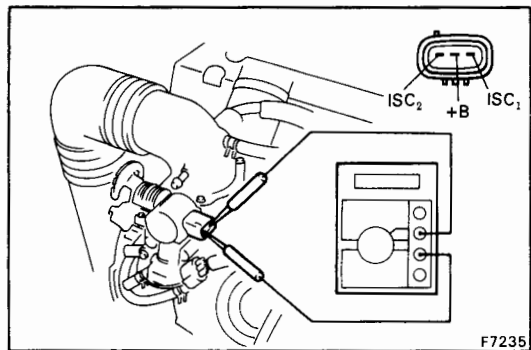
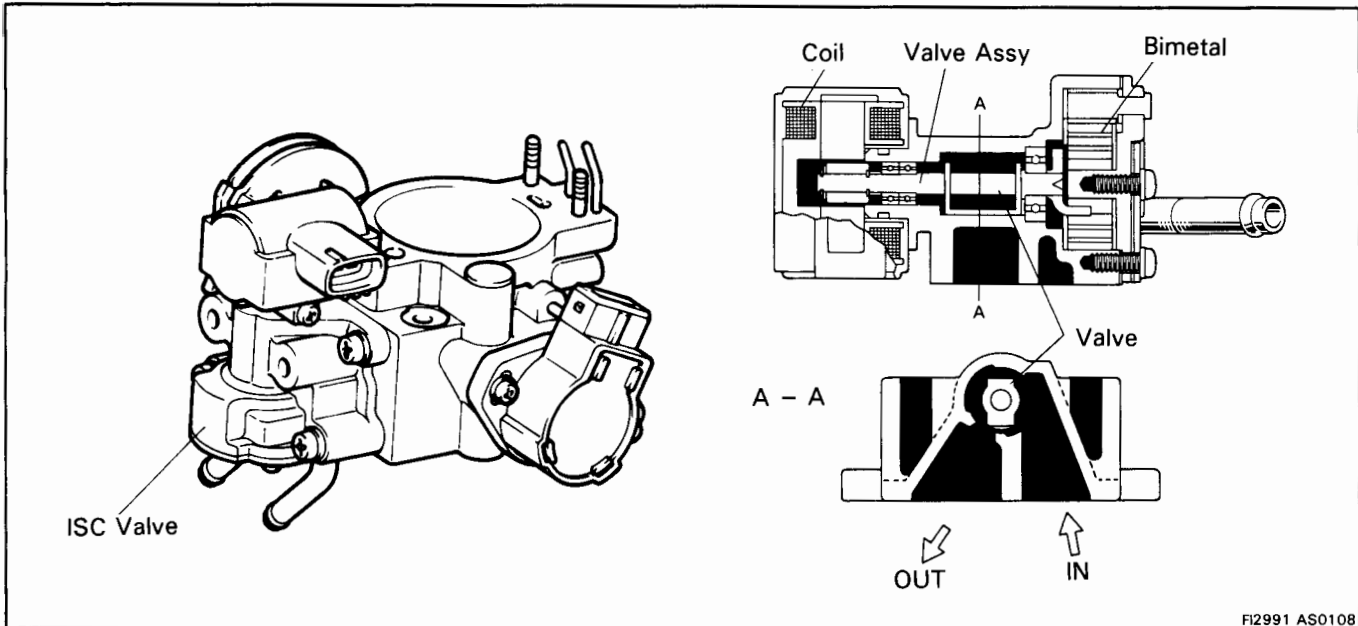
- (a) PCV hose
- (b) ABV vacuum hose
- (c) Charcoal canister hose
- (d) Air cleaner hose
- (e) EGR vacuum hose

**7. CONNECT FOLLOWING CONNECTORS:**

- (a) ISC valve connector
- (b) Throttle position sensor connector

**8. REFILL WITH COOLANT**

## Idle Speed Control (ISC) Valve (4A-GZE)

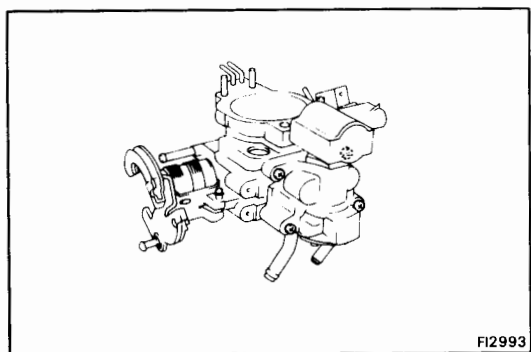


### ON-VEHICLE INSPECTION

#### INSPECT RESISTANCE OF ISC VALVE

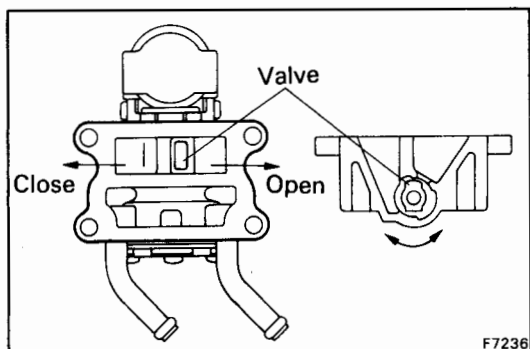
- (a) Disconnect the ISC valve connector.
- (b) Using an ohmmeter, measure the resistance between each terminal.

<b>Resistance:</b>	<b>ISC<sub>1</sub> - +B</b>	<b>16 - 17 Ω</b>
	<b>ISC<sub>2</sub> - +B</b>	<b>16 - 17 Ω</b>



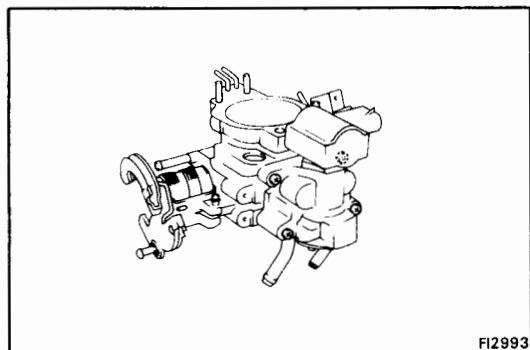
### REMOVAL OF ISC VALVE

1. DRAIN COOLANT FROM THROTTLE BODY
2. DISCONNECT ISV VALVE CONNECTOR
3. DISCONNECT TWO WATER BY-PASS HOSES
4. REMOVE ISC VALVE  
(See page FI-102)



## INSPECT OPERATION OF ISC VALVE

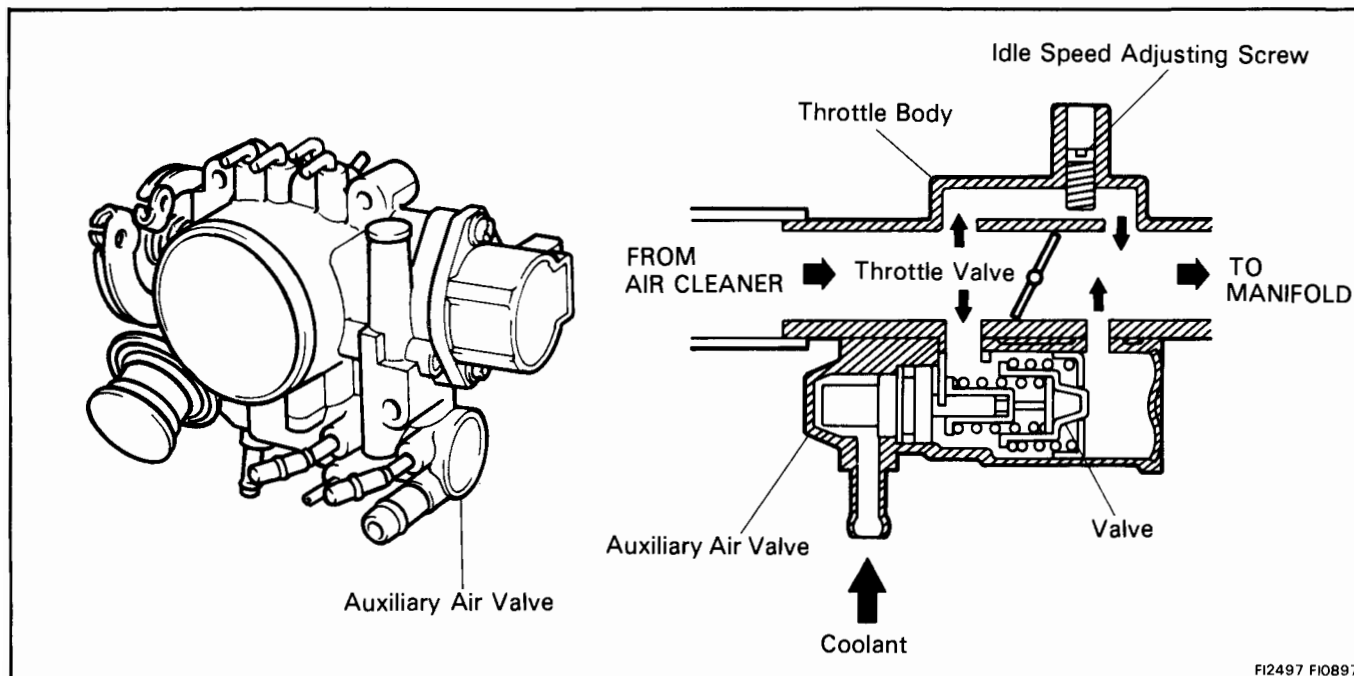
- (a) Apply battery voltage, connect the positive terminal to +B terminal and the negative terminal to ISC<sub>1</sub> terminal. Check that the valve moves forward the closed position.
- (b) Apply terminal voltage, connect the positive terminal to +B terminal and the negative terminal to ISC<sub>2</sub> terminal. Check that the valve moves forward the open position.



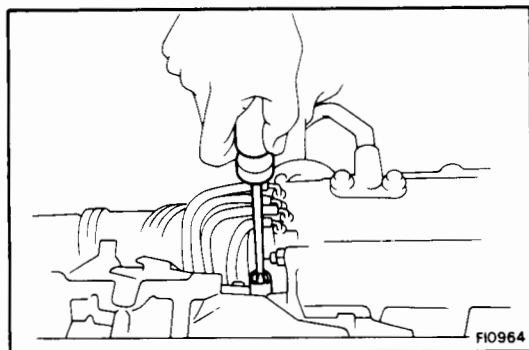
## INSTALLATION OF ISC VALVE

1. **INSTALL ISC VALVE**  
(See page FI-103)
2. **CONNECT TWO WATER BY-PASS HOSES**
3. **CONNECT ISC VALVE CONNECTOR**
4. **REFILL WITH COOLANT**

## Auxiliary Air Valve (4A-GE)



FI2497 FI0897



### ON-VEHICLE INSPECTION

#### CHECK OPERATION OF AUXILIARY AIR VALVE

Check the engine rpm by fully screwing in the idle speed adjusting screw.

At low temp. (Coolant temp.: below 80°C or 176°F)

- When the idle speed adjusting screw is in, the engine rpm should drop.

After warm-up

- When the idle speed adjusting screw is in, the engine rpm should drop below 600 rpm or stop.

#### REMOVAL OF AUXILIARY AIR VALVE

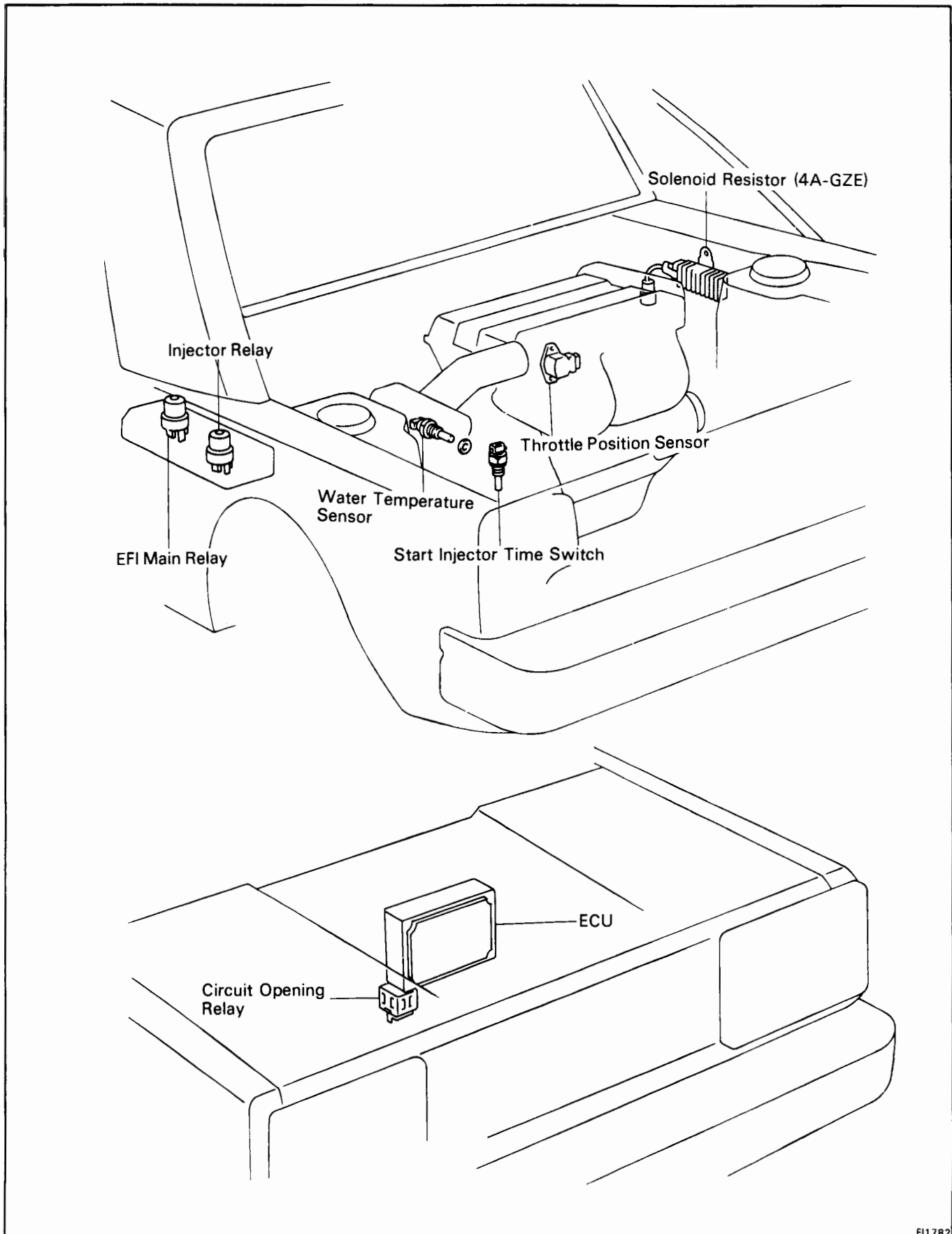
1. REMOVE THROTTLE BODY (See page FI-99)
2. REMOVE AIR VALVE (See step 2 on page FI-102)

#### INSTALLATION OF AUXILIARY AIR VALVE

1. INSTALL AIR VALVE (See step 2 on page FI-103)
2. INSTALL THROTTLE BODY (See page FI-104)

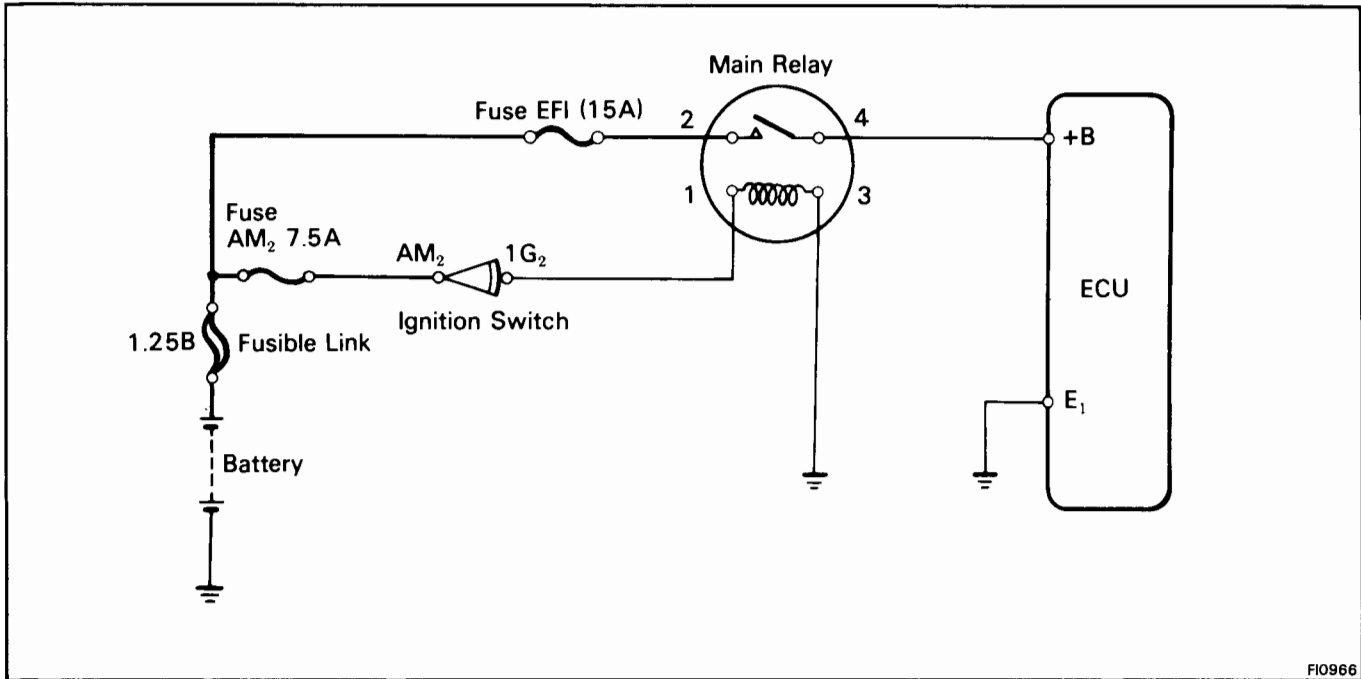
# ELECTRONIC CONTROL SYSTEM

## Location of Electronic Control Parts

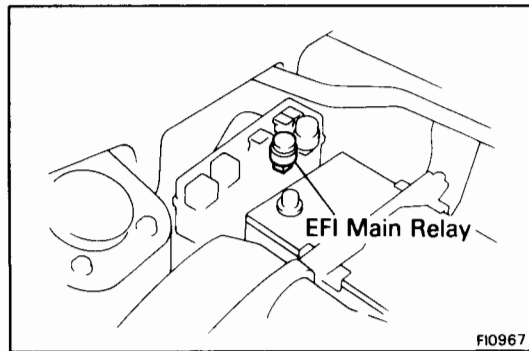




# EFI Main Relay



FI0966

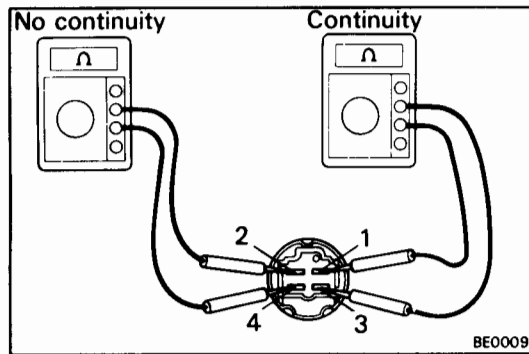


FI0967

## INSPECTION OF EFI MAIN RELAYS

### 1. CHECK OPERATION OF MAIN RELAYS

Turn the ignition switch ON. At this time an operation noise will occur from the relay.



BE0009

### 2. INSPECT RELAY CONTINUITY

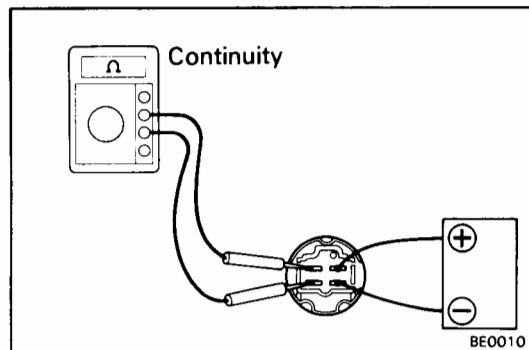
- (a) Check that there is continuity between terminals 1 and 3.
- (b) Check that there is no continuity between terminals 2 and 4.
- (c) Check that there is no continuity between terminals 3 and 4.

If continuity is not as specified, replace the relay.

### 3. INSPECT RELAY OPERATION

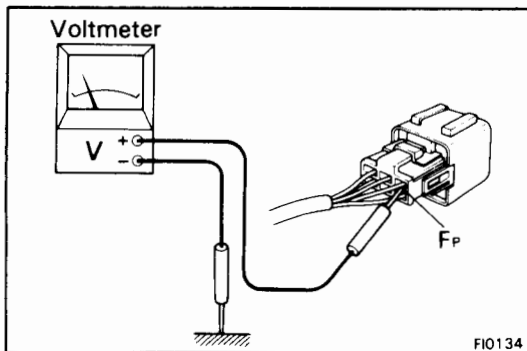
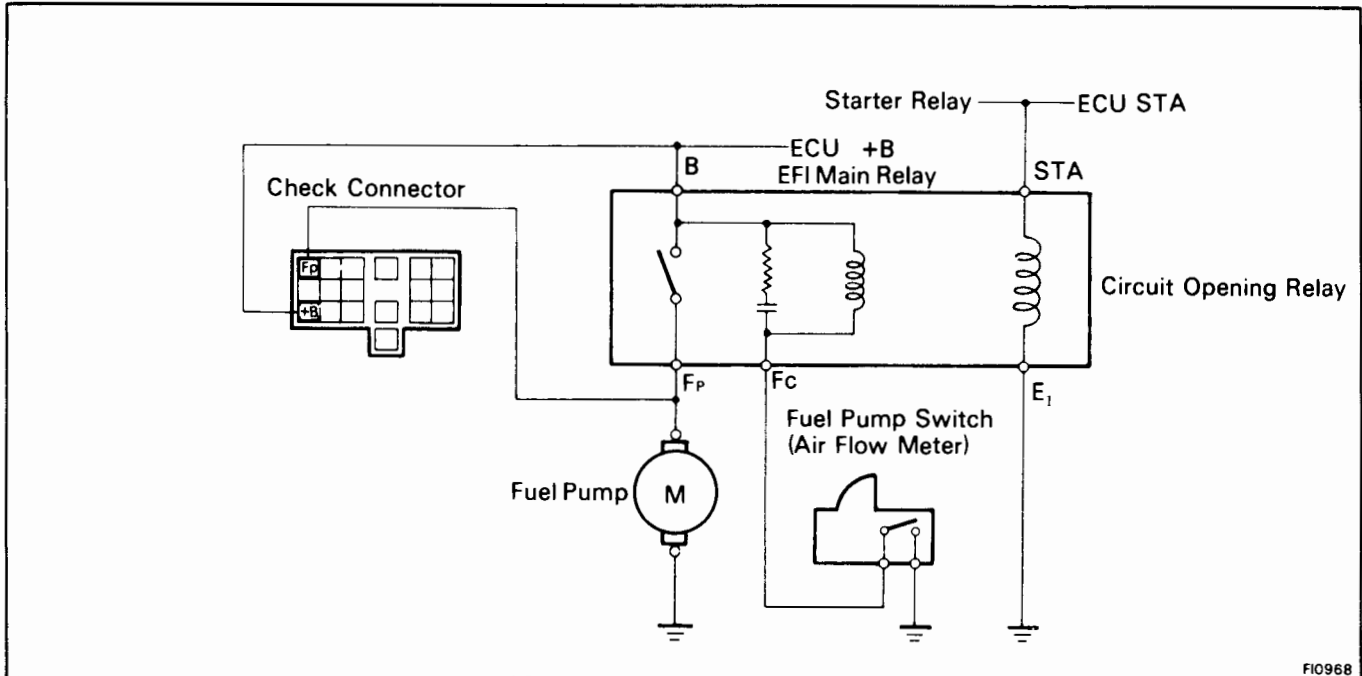
- (a) Apply battery voltage across terminals 1 and 3.
- (b) Check that there is continuity between terminals 2 and 4.

If operation is not as specified, replace the relay.



BE0010

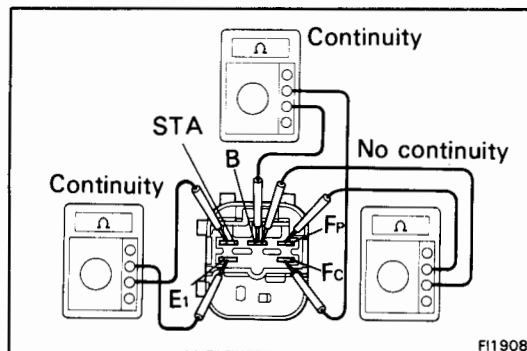
## Circuit Opening Relay



### INSPECTION OF CIRCUIT OPENING RELAY

#### 1. CHECK CIRCUIT OPENING RELAY OPERATION

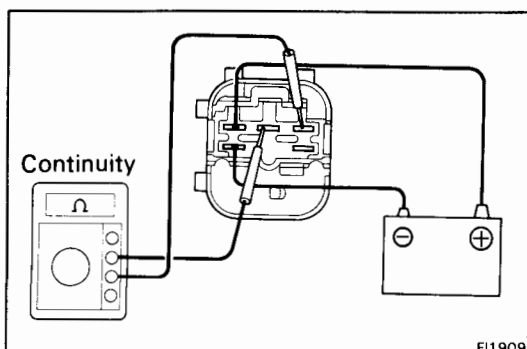
- (a) Remove the rear luggage compartment trim.
- (b) Remove the circuit opening relay with the wiring.
- (c) Using a voltmeter, check that the meter indicates voltage at terminal F<sub>p</sub> during engine cranking and running.



#### 2. INSPECT RELAY CONTINUITY

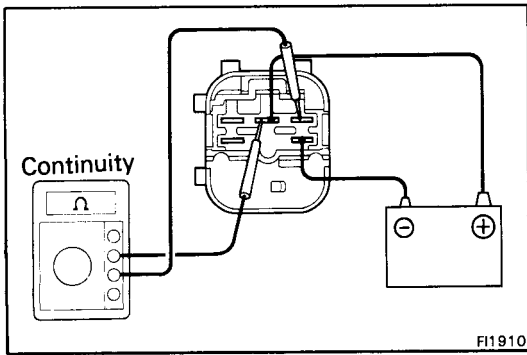
- (a) Using an ohmmeter, check that there is continuity between terminals STA and E<sub>1</sub>.
- (b) Check that there is continuity between terminals B and F<sub>c</sub>.
- (c) Check that there is no continuity between terminals B and F<sub>p</sub>.

If continuity is not as specified, replace the relay.



#### 3. INSPECT RELAY OPERATION

- (a) Apply battery voltage across terminals STA and E<sub>1</sub>.
- (b) Using an ohmmeter, check that there is continuity between terminals B and F<sub>p</sub>.



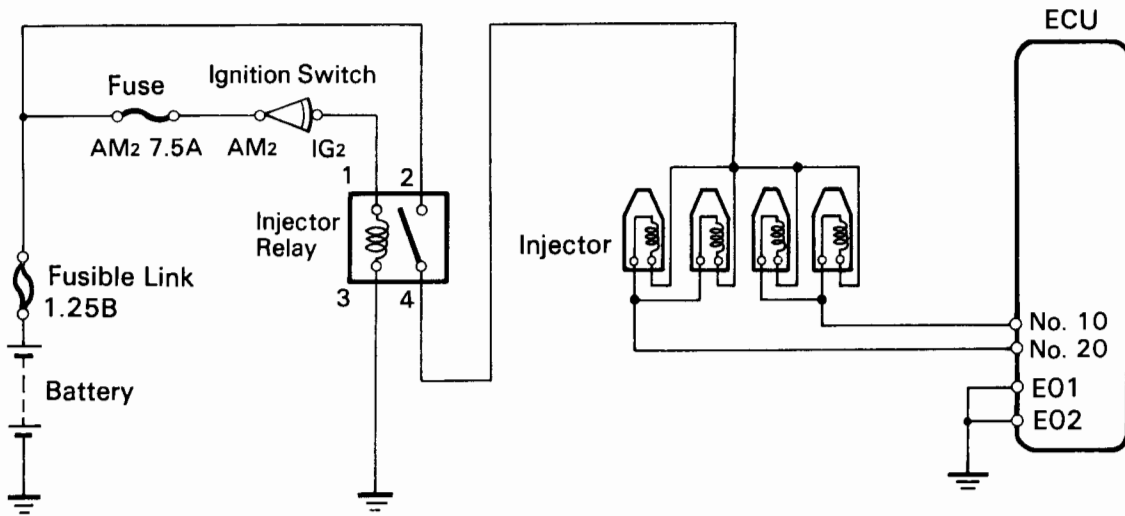
(c) Apply battery voltage across terminals B and Fc.

(d) Check that there is continuity between terminals B and Fp.

If operation is not as specified, replace the relay.

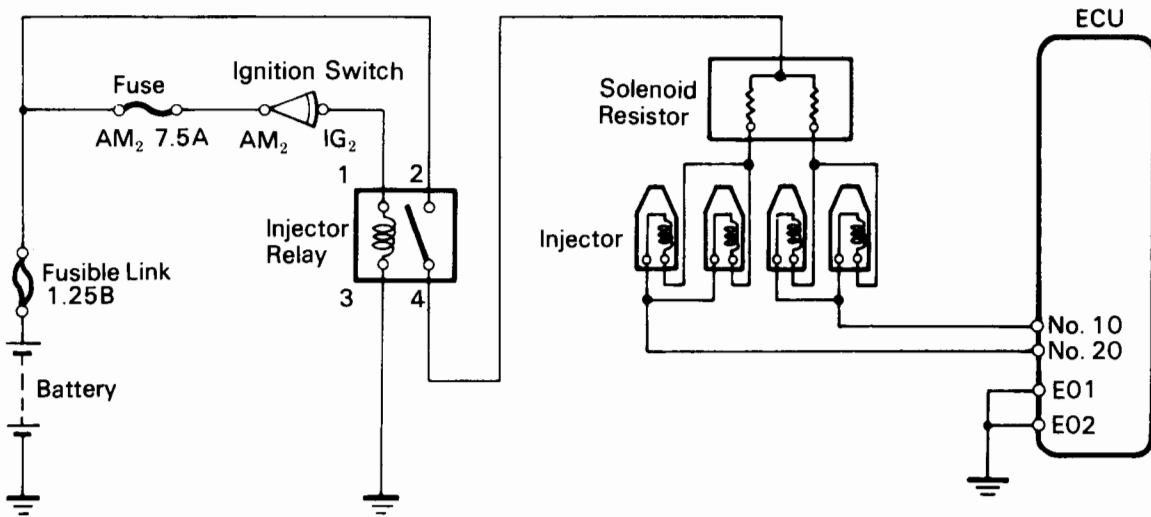
## Solenoid Resistor (4A-GZE) and Injector Relay

4A-GE

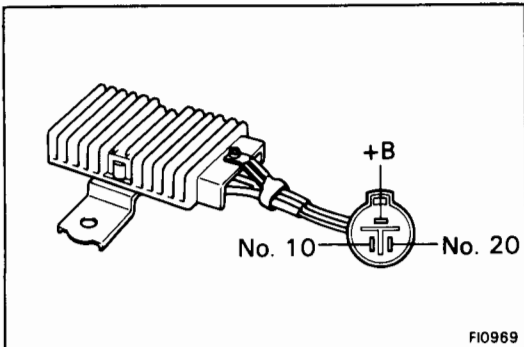


FI0914

4A-GZE



FI0914



FI0969

### INSPECTION OF SOLENOID RESISTOR (4A-GZE)

#### MEASURE RESISTANCE OF SOLENOID RESISTOR

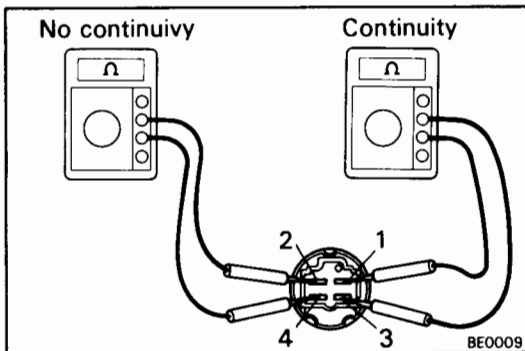
Using an ohmmeter, measure the resistance between +B and other terminals.

**Resistance: 3 Ω each**

## INSPECT INJECTOR RELAY

### INSPECT INJECTOR RELAY

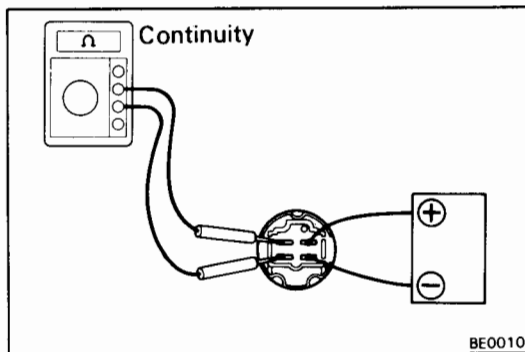
NOTE: The injector relay is located in the No. 2 junction block.



### Inspect Relay Continuity

- Check that there is continuity between terminals 1 and 3.
- Check that there is no continuity between terminals 2 and 4.
- Check that there is no continuity between terminals 3 and 4.

If continuity is not as specified, replace the relay.

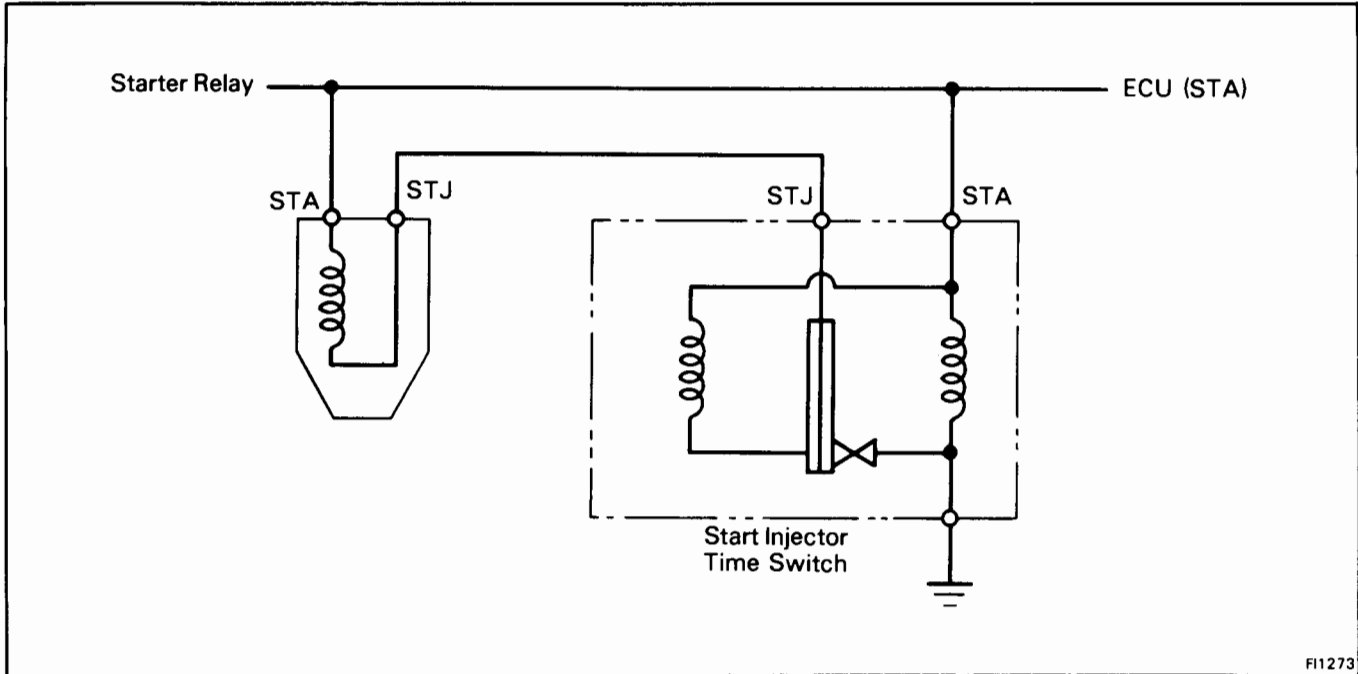


### Inspect Relay Operation

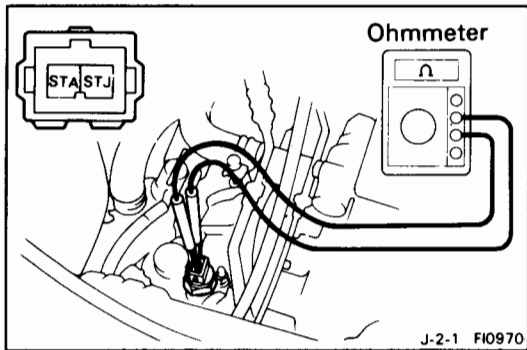
- Apply battery voltage across terminals 1 and 3.
- Check that there is continuity between terminals 2 and 4.

If operation is not as specified, replace the relay.

## Start Injector Time Switch



FI1273



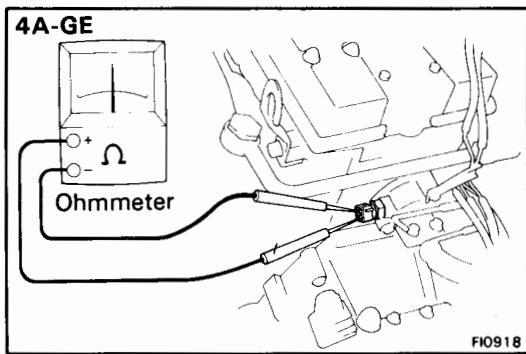
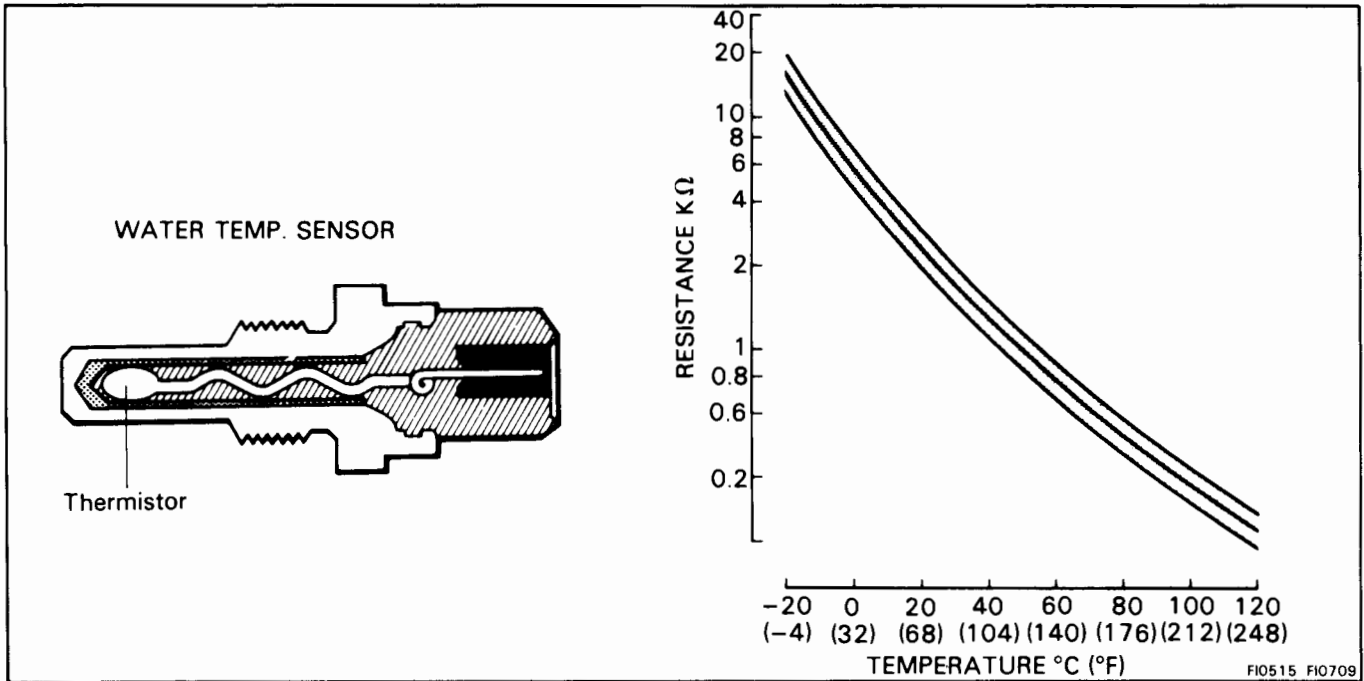
J-2-1 FI0970

### INSPECTION OF START INJECTOR TIME SWITCH

1. **MEASURE RESISTANCE OF START INJECTOR TIME SWITCH**
  - (a) Disconnect the connector.
  - (b) Using an ohmmeter, measure the resistance between each terminal.

Between terminals	Resistance ( $\Omega$ )	Coolant temp.
STA - STJ	20 - 40 40 - 60	Below 30°C (95°F) Above 40°C (95°F)
STA - Ground	20 - 80	—

# Water Temperature Sensor

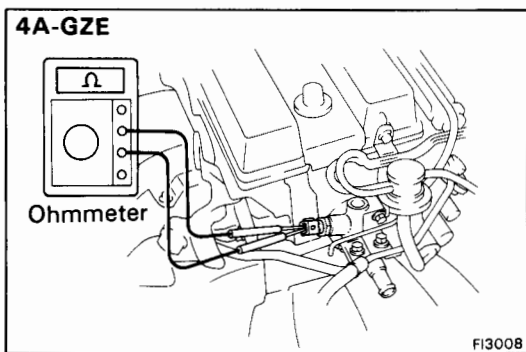


## INSPECTION OF WATER TEMPERATURE SENSOR

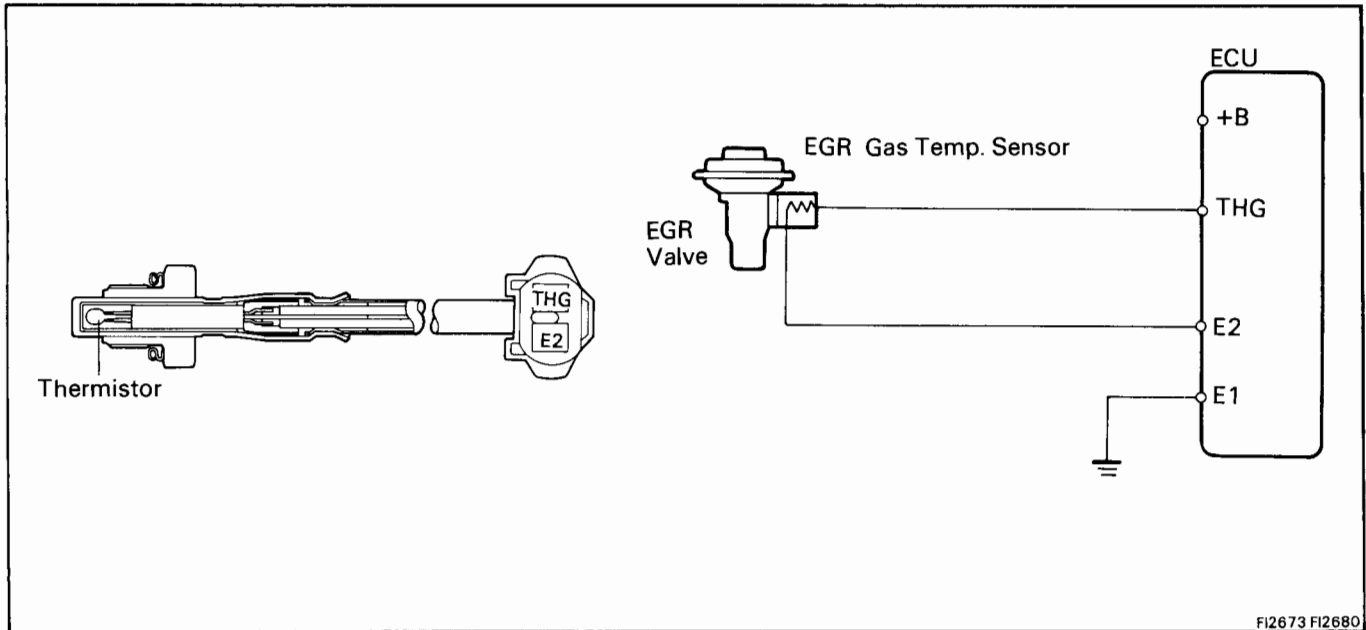
### MEASURE RESISTANCE OF WATER TEMPERATURE SENSOR

- (a) Disconnect the connector.
- (b) Using an ohmmeter, measure the resistance between both terminals.

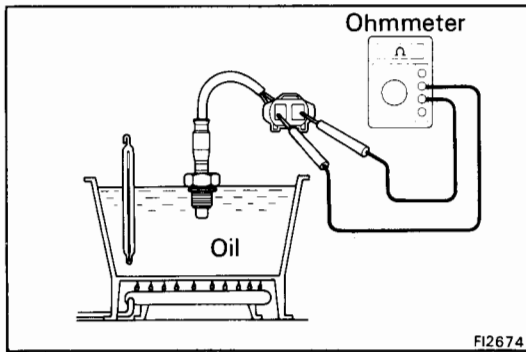
**Resistance: Refer to chart.**



## EGR Gas Temperature Sensor (For California)



FI2673 FI2680



FI2674

### INSPECTION OF EGR GAS TEMPERATURE SENSOR

#### INSPECT EGR GAS TEMPERATURE SENSOR

Using an ohmmeter, measure the resistance between the terminals.

**Resistance:**

**69.40 – 88.50 k $\Omega$  at 50°C (112°F)**

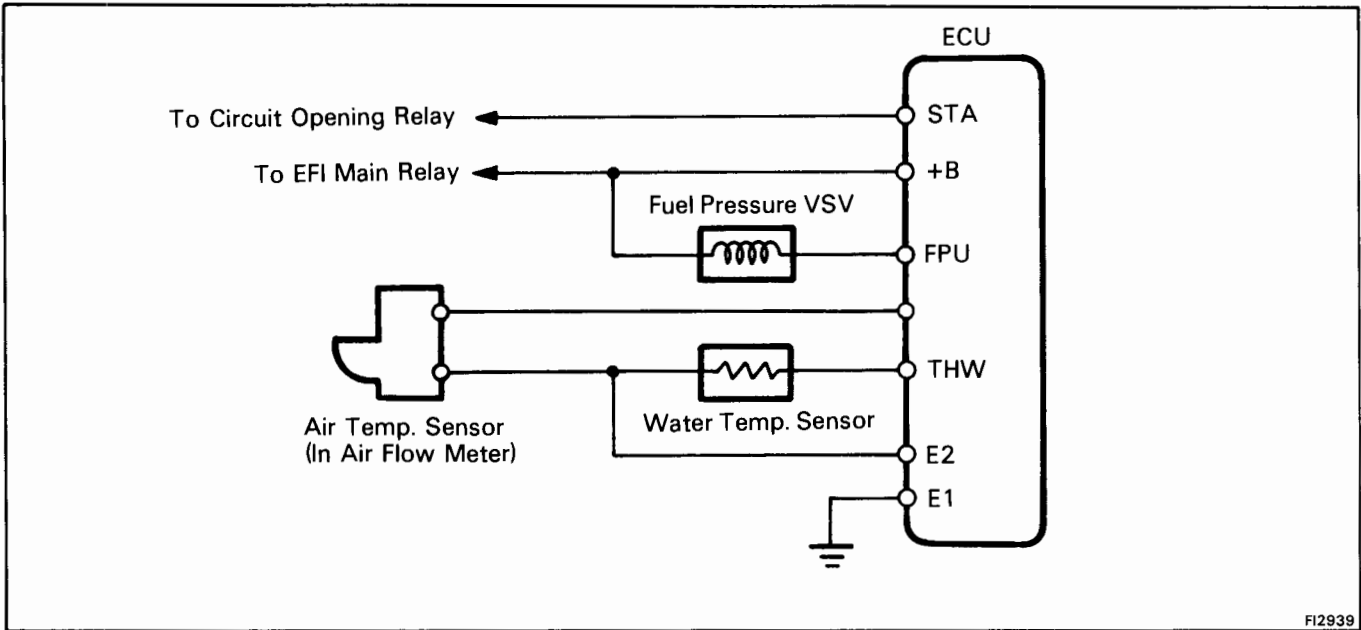
**11.89 – 14.37 k $\Omega$  at 100°C (212°F)**

**2.79 – 3.59 k $\Omega$  at 150°C (302°F)**

If the resistance is not as specified, replace the sensor.



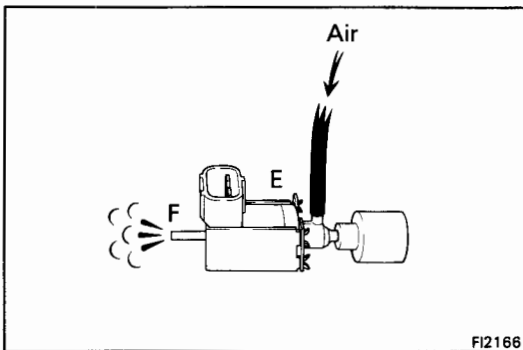
## High Temperature Line Pressure Up System



FI2939

### INSPECTION OF HIGH TEMPERATURE LINE PRESSURE UP SYSTEM

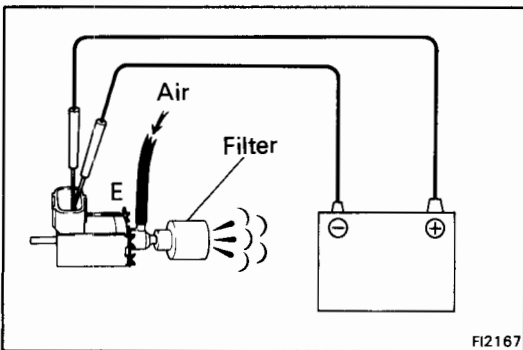
1. INSPECT WATER TEMPERATURE SENSOR  
(See page FI-116)
2. INSPECT AIR TEMPERATURE SENSOR  
(See page FI-94)



FI2166

### 3. INSPECT FUEL PRESSURE VSV

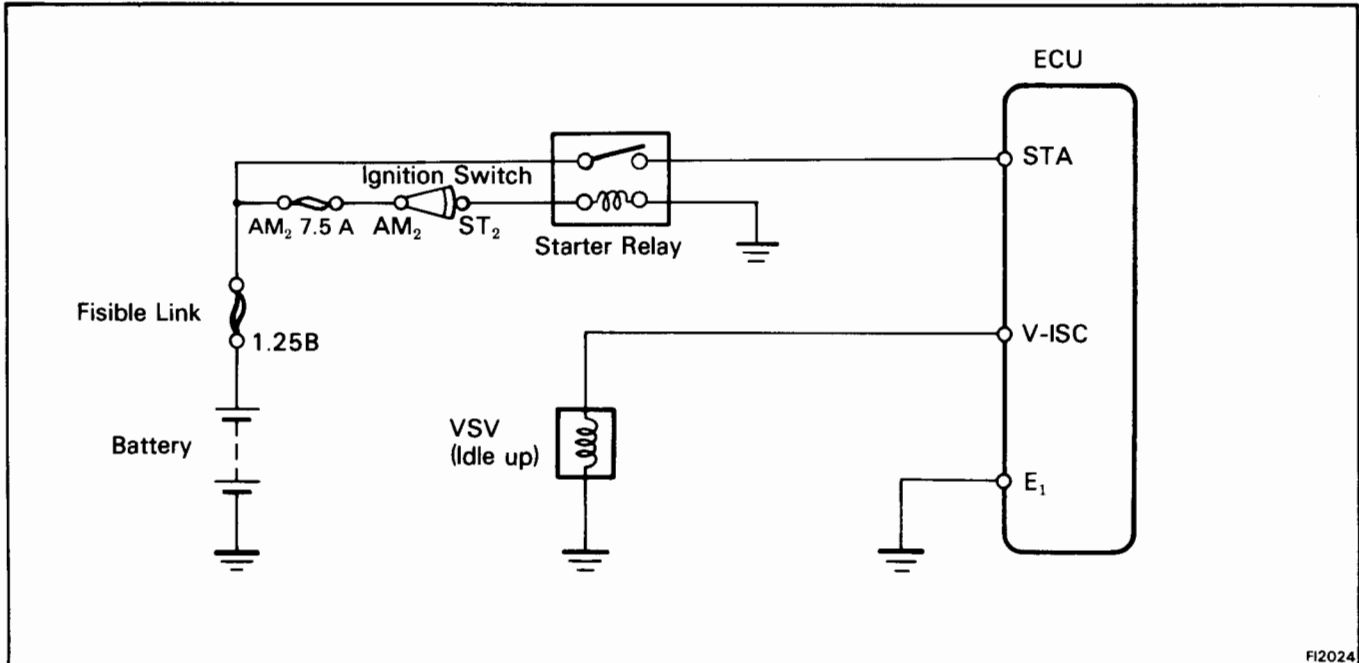
- (a) Check that air does not flow pipe E to pipe F.



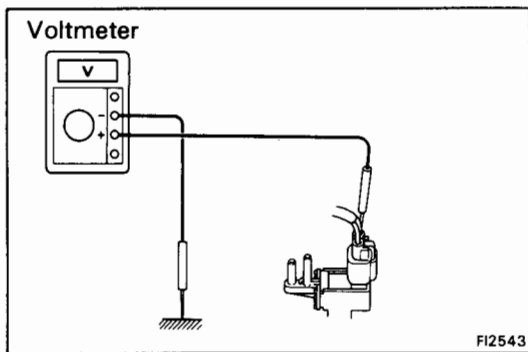
FI2167

- (b) Apply battery voltage across the terminals.
- (c) Check that air flows from pipe E to pipe F.  
If operation is not as specified, replace the VSV.

## Idle-up System



FI2024

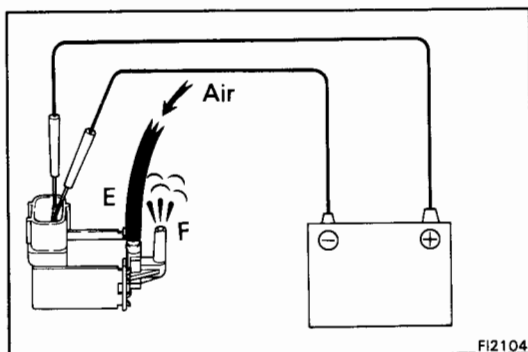


FI2543

### INSPECTION OF VSV (Idle-up)

#### 1. MEASURE BATTERY VOLTAGE OF VSV

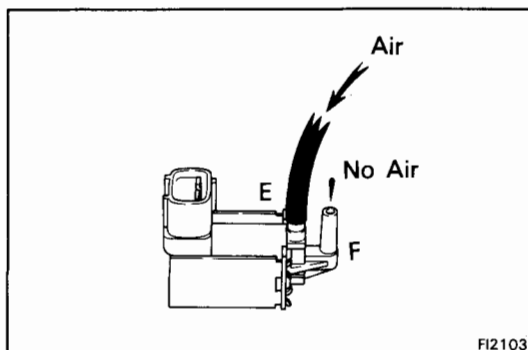
- (a) All accessories switched "OFF"
- (b) Using a voltmeter, check that the meter indicates battery voltage during cranking and for ten seconds after starting.



FI2104

#### 2. INSPECT VSV OPERATION

- (a) Remove the VSV.
- (b) Connect the VSV terminals to the battery terminals as illustrated.
- (c) Blow into pipe E and check that air comes out of pipe F.



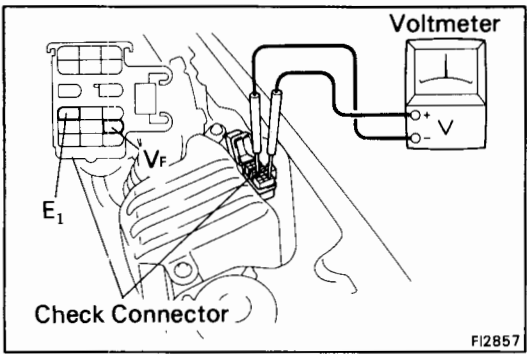
FI2103

- (d) Disconnect the battery terminals.
- (e) Closed VSV.

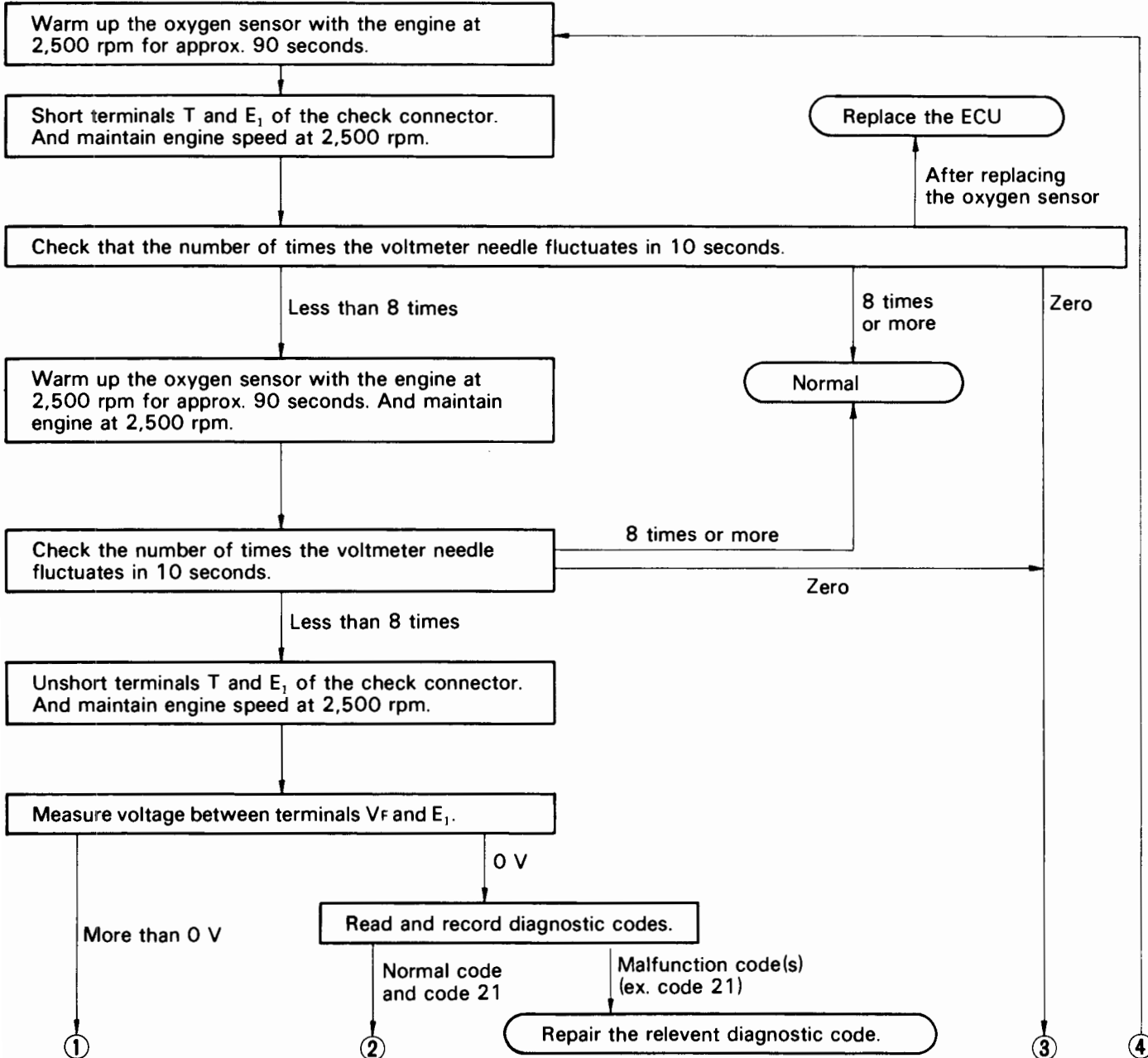
If a problem is found, replace the VSV.

# Oxygen Sensor

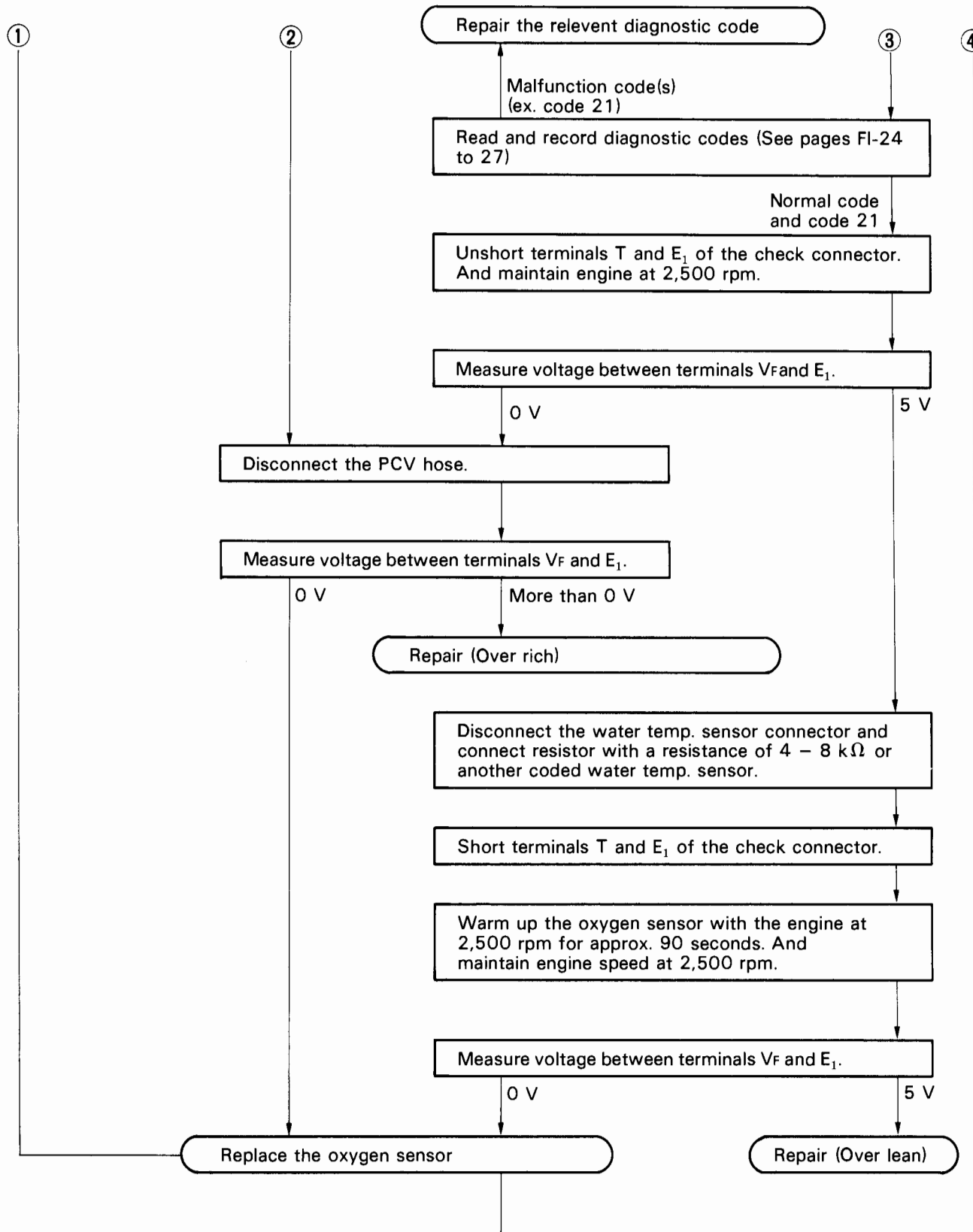
## INSPECTION OF FEEDBACK VOLTAGE (V<sub>F</sub>)

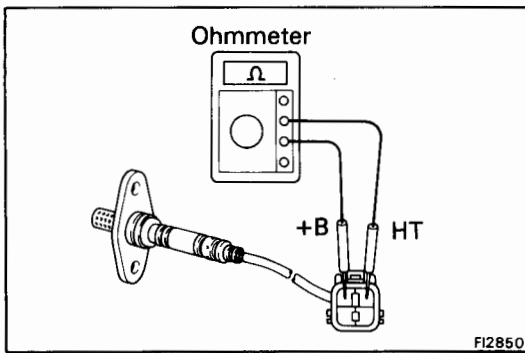


1. Warm up the engine.
2. Connect the positive (+) lead of a voltmeter to terminal V<sub>F</sub> of the check connector and negative (-) lead to terminal E<sub>1</sub>.



CONTINUED FROM PAGE FI-120





### 3. INSPECT HEATER COIL RESISTANCE OF OXYGEN SENSOR

Using an ohmmeter, measure the resistance between the terminals +B and HT.

**Resistance: 5.1 – 6.3  $\Omega$**

**If the resistance is not as specified, replace the sensor.**

# Electronic Controlled Unit (ECU)

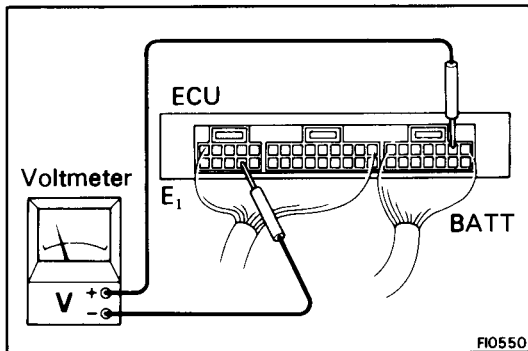
## INSPECTION OF ECU

### 1. MEASURE VOLTAGE OF ECU

NOTE: The EFI circuit can be checked by measuring the resistance and voltage at the wiring connectors of the ECU.

Check the voltages at the wiring connectors.

- Remove the rear luggage compartment trim.
- Turn the ignition switch ON.
- Measure the voltage at each terminal.



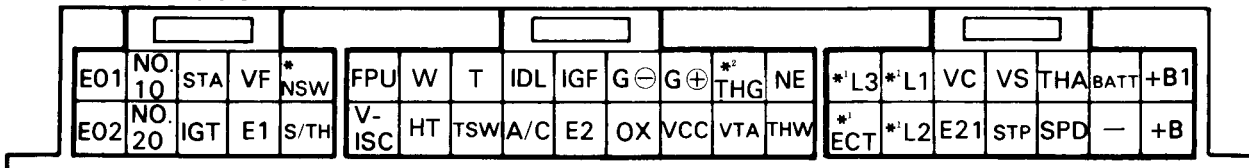
- NOTE: 1. Perform all voltage measurements with the connectors connected.  
 2. Verify that the battery voltage is 11 V or above when the ignition switch is ON.

### Connectors of ECU (4A-GE)

Symbol	Terminal	Symbol	Terminal	Symbol	Terminal
E01	Engine ground (Power)	T	Service connector	*L3	ECT Computer
E02	Engine ground (Power)	TSW	Water temperature switch	*ECT	ECT Computer
No. 10	No.3, 4 injector	IDL	Throttle position sensor	*L1	ECT Computer
No. 20	No.1, 2 injector	A/C	A/C Magnet clutch	*L2	ECT Computer
STA	Starter switch	IGF	Igniter	VC	Air flow meter
IG	Igniter	E2	Sensor ground	E21	Sensor ground
VF	Service connector	G ⊖	Engine revolution sensor	VS	Air flow meter
E1	Engine ground	OX	Oxygen sensor	STP	Stop light switch
* NSW	Neutral Start Switch	G ⊕	Engine revolution sensor	THA	Inlet air temp. sensor
S/TH	VSV (T-VIS)	VCC	Throttle position sensor	SPD	Speedometer sensor
FPU	VSV (FPU)	* <sup>2</sup> THG	EGR temperature sensor	BATT	Battery
V-ISC	VSV (ISC)	VTA	Throttle position sensor	—	—
W	Warning light	NE	Engine revolution sensor	+B1	EFI main relay
HT	Oxygen sensor heater	THW	Water temp. sensor	+B	EFI main relay

\*<sup>1</sup> : For A/T  
 \*<sup>2</sup> : For Calif.

ECU Connectors



## Voltage at ECU Wiring Connectors (4A-GE)

Terminals	STD voltage	Condition	
BATT - E1	10 - 14	-	
+B - E1		Ignition S/W ON	
+B1 - E1			
IDL - E1	10 - 14	Ignition S/W ON	Throttle valve open
VTA - E2	0.1 - 1.0		Throttle valve fully closed
	4 - 5		Throttle valve fully open
VCC - E2	4 - 6	Ignition S/W ON	
VC - E2	6 - 10	Ignition S/W ON	-
VS - E2	2 - 5.5		Measuring plate fully closed
	6 - 9		Measuring plate fully open
	2 - 8	Idling	-
THA - E2	1 - 3	Ignition S/W ON	Intake air temperature 20°C (68°F)
THW - E2	0.1 - 1.0	Ignition S/W ON	Coolant temperature 80°C (176°F)
STA - E1	6 - 14	Ignition S/W ST position and press on the clutch pedal (M/T)	
No. 10 - E01 No. 20 - E02	9 - 14	Ignition S/W ON	
IGT - E1	0.7 - 1.0	Idling	
T - E1	10 - 14	Ignition S/W ON	Service connector T ↔ E <sub>1</sub> not short
	0.5 or less		Service connector T ↔ E <sub>1</sub> short
A/C - E1	5 - 14	Ignition S/W ON	A/C switch ON
	0.5 or less		A/C switch OFF
W - E1	0.5 or less	Ignition S/W ON	
	9 - 14	Engine start	
S/TH - E1	0 - 2	Idling	
	10 - 14	More than 4,350 rpm	
* NSW - E1	0	Ignition S/W ON	Shift position P or N range
	10 - 14		Ex. P or N range
	6 - 11	Cranking	

\* : For A/T

**Connectors of ECU (4A-GZE)**

Symbol	Terminal	Symbol	Terminal	Symbol	Terminal
E01	Engine ground (Power)	G2	Engine revolution sensor	TIL	Super charger indicator lamp.
E02	Engine ground (Power)	VTA	Throttle position sensor	A/C	A/C Magnet clutch
RSC	ISC valve	NE	Engine revolution sensor	SPD	Speedometer sensor
RSO	ISC valve	IDL	Throttle position sensor	W	Warning light
STA	Starter switch	VSV3	VSV (Air bypass)	ELS1	Stop light
IGT	Igniter	HT	Oxygen sensor heater	FPU	VSV (FPU)
EGR	EGR valve	IGF	Igniter	THA	Inlet air temp. sensor
E1	Engine ground	OX	Oxygen sensor	KNK	Knock sensor
* <sup>1</sup> NSW	Neutral start switch	THW	Water temperature sensor	VS	Air flow meter
SMC	Super charger relay	E2	Sensor ground	—	—
No. 10	No. 3, 4 injector	R/P	Fuel control switch	VC	Air flow meter
—	—	E22	Sensor ground	* <sup>2</sup> THG	EGR temperature sensor
No. 20	No. 1, 2 injector	VSV2	VSV (Air bleed)	BATT	Battery
—	—	—	—	+B	EFI main relay
G ⊖	Engine revolution sensor	* <sup>1</sup> L1	ECT computer	ELS2	Accessory switch
VF	Service connector	* <sup>1</sup> L3	ECT computer	+B1	EFI main relay
G1	Engine revolution sensor	* <sup>1</sup> L2	ECT computer	—	—
T	Service connector	ECT1	ECT computer	—	—

\*<sup>1</sup> : For A/T  
 \*<sup>2</sup> : For Calif.

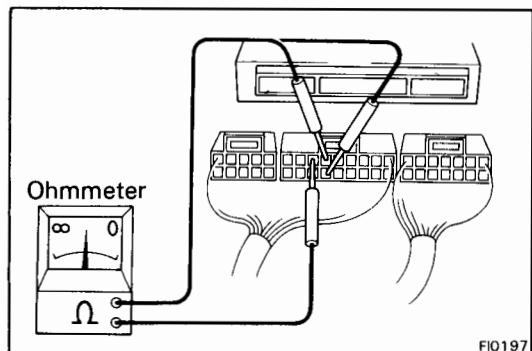
E01	RSC	STA	EGR	NSW	No. 10	No. 20	G ⊖	G1	G2	NE	VSV <sub>3</sub>	IGF	THW	R/P	VSV <sub>2</sub>	L1	L2	TIL	SPD	ELS <sub>1</sub>	THA	VS	VC	BATT	ELS <sub>2</sub>
E02	RSO	IGT	E1	SMC	—	—	V <sub>F</sub>	T	VTA	IDL	HT	OX	E2	E22	—	L3	ECT <sub>1</sub>	A/C	W	FPU	KNK	—	THG	+B	+B1



## Voltage at ECU Wiring Connectors (4A-GZE)

Terminals	STD voltage	Condition	
BATT - E1		—	
+ B1 - E1 + B - E1	10 - 14	Ignition S/W ON	
IDL - E2	M/T 4 - 5 A/T 10 - 14	Ignition S/W ON	Throttle valve open
VTA - E2	0.1 - 1.0		Throttle valve fully closed
	4 - 5		Throttle valve fully open
VC - E2	4 - 6	—	
VS - E2	4 - 5	Ignition S/W ON	Measuring plate fully closed
	0.02 - 0.5		Measuring plate fully open
		2 - 4	Idling
THA - E2	1 - 3	Ignition S/W ON	Intake air temperature 20°C (68°F)
THW - E2	0.1 - 1.0	Ignition S/W ON	Coolant temperature 80°C (176°F)
STA - E1	6 - 14	Ignition S/W ST position and press on the clutch pedal (M/T)	
No. 10 - E01 No. 20 - E02	9 - 14	Ignition S/W ON	
IGT - E1	0.7 - 1.0	Idling	
T - E1	10 - 14	Ignition S/W ON	Service connector T ↔ E <sub>1</sub> not short
	0.5 or less		Service connector T ↔ E <sub>1</sub> short
A/C - E1	5 - 14	Ignition S/W ON	A/C switch ON
	0.5 or less		A/C switch OFF
W - E1	0.5 or less	Ignition S/W ON	
	9 - 14	Engine start	
RSC RSO - E1	9 - 14	Ignition S/W ON	
* NSW - E1	0	Ignition S/W ON	Shift position P or N range
	10 - 14		Ex. P or N range
		6 - 11	Cranking

\*: For A/T



**2. MEASURE RESISTANCE OF ECU**

**CAUTION:**

1. Do not touch the ECU terminals.
2. The tester probe should be inserted into the wiring connector from the wiring side.

Check the resistance between each terminal of the wiring connector.

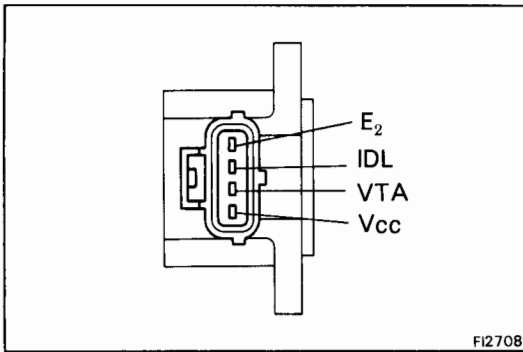
- Remove the rear luggage compartment trim.
- Unplug the wiring connectors from the ECU.
- Measure the resistance between each terminal of the wiring connectors.

**Resistances at ECU Wiring Connectors (4A-GE)**

Terminals	Condition	Resistance
IDL - E2	Throttle valve open	Infinity
	Throttle valve fully closed	2.3 kΩ or less
VTA - E2	Throttle valve fully open	3.3 - 10 kΩ
	Throttle valve fully closed	0.2 - 0.8 kΩ
VC - E2	—	100 - 300 Ω
VS - E2	Measuring plate fully closed	20 - 400 Ω
	Measuring plate fully open	20 - 3,000 Ω
VCC - E2	—	3 - 7 kΩ
THA - E2	Intake air temperature 20°C (68°F)	2 - 3 kΩ
THW - E2	Coolant temperature 80°C (176°F)	0.2 - 0.4 kΩ
G + - G ⊖	—	140 - 180 Ω

**Resistances at ECU Wiring Connectors (4A-GZE)**

Terminals	Condition	Resistance
IDL - E2	Throttle valve open	Infinity
	Throttle valve fully closed	2.3 kΩ or less
VTA - E2	Throttle valve fully open	3.3 - 10 kΩ
	Throttle valve fully closed	0.2 - 0.8 kΩ
VS - E2	Measuring plate fully closed	200 - 600 Ω
	Measuring plate fully open	20 - 1,200 Ω
THA - E2	Intake air temperature 20°C (68°F)	2 - 3 kΩ
THW - E2	Coolant temperature 80°C (176°F)	0.2 - 0.4 kΩ
G1 - G ⊖, G2 - G ⊖, NE - G ⊖	—	140 - 180 Ω



## Fuel Cut RPM

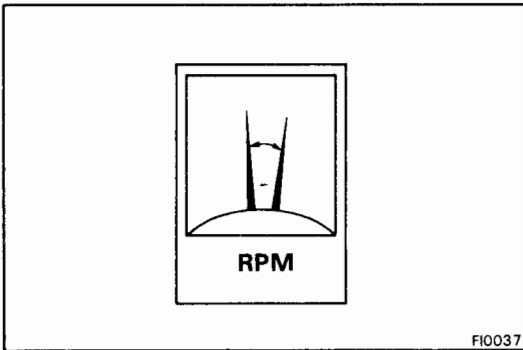
### INSPECTION OF FUEL CUT RPM

- (a) Start and warm up the engine.
- (b) Disconnect the throttle position sensor connector from the throttle position sensor.
- (c) Short circuit terminals IDL and E<sub>2</sub> on the wire connector side.
- (d) Gradually raise the engine rpm and check that there is fluctuation between the fuel cut and fuel return points.

NOTE: The vehicle should be stopped.

**Fuel cut rpm: 1,600 rpm (A/C OFF)**  
**1,900 rpm (A/C ON)**

**Fuel return rpm: 1,200 rpm (A/C OFF)**  
**1,500 rpm (A/C ON)**



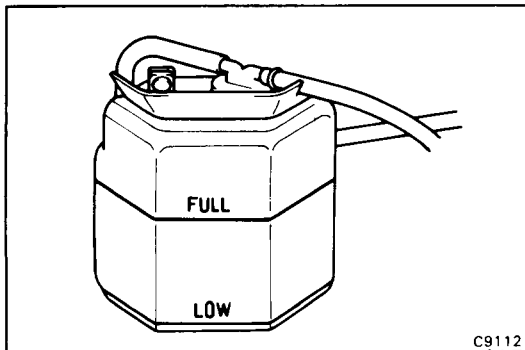
# COOLING SYSTEM

	Page
TROUBLESHOOTING .....	CO-2
CHECK OF ENGINE COOLANT .....	CO-2
REPLACEMENT OF ENGINE COOLANT .....	CO-3
WATER PUMP .....	CO-6
THERMOSTAT .....	CO-10
RADIATOR .....	CO-11
ELECTRIC COOLING FAN (RADIATOR) .....	CO-13
ELECTRIC COOLING FAN (ENGINE COMPARTMENT) .....	CO-17

## TROUBLESHOOTING

Problem	Possible cause	Remedy	Page
Engine overheats	Check coolant	Replenish coolant	CO-3
	Water pump drive belt loose or missing	Adjust or replace belt	CO-9
	Dirt, leaves or insects on radiator	Clean radiator	
	Hoses, water pump, thermostat housing, radiator, heater, core plugs or head gasket leakage	Repair as necessary	
	Thermostat faulty	Check thermostat	CO-10
	Ignition timing retarded	Set timing	
	Electric cooling system faulty	Inspect electric cooling system	CO-13
	Radiator hose plugged or rotted	Replace hose	
	Water pump faulty	Replace water pump	CO-6
	Radiator plugged faulty	Check radiator	CO-11
	Cylinder head or block cracked or plugged	Repair as necessary	

**NOTE:** The thermostat on the A series engine is equipped with a by-pass valve. Therefore, if the engine tends to over-heat, removal of the thermostat will adversely affect cooling efficiency.

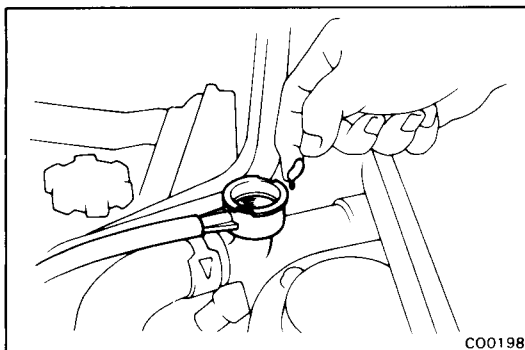


C9112

## CHECK OF ENGINE COOLANT

### 1. CHECK COOLANT LEVEL

The coolant level should be between the LOW and FULL lines. If low, check for leakage and add coolant up to the FULL line.



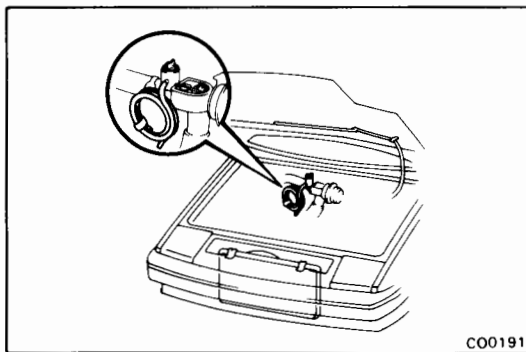
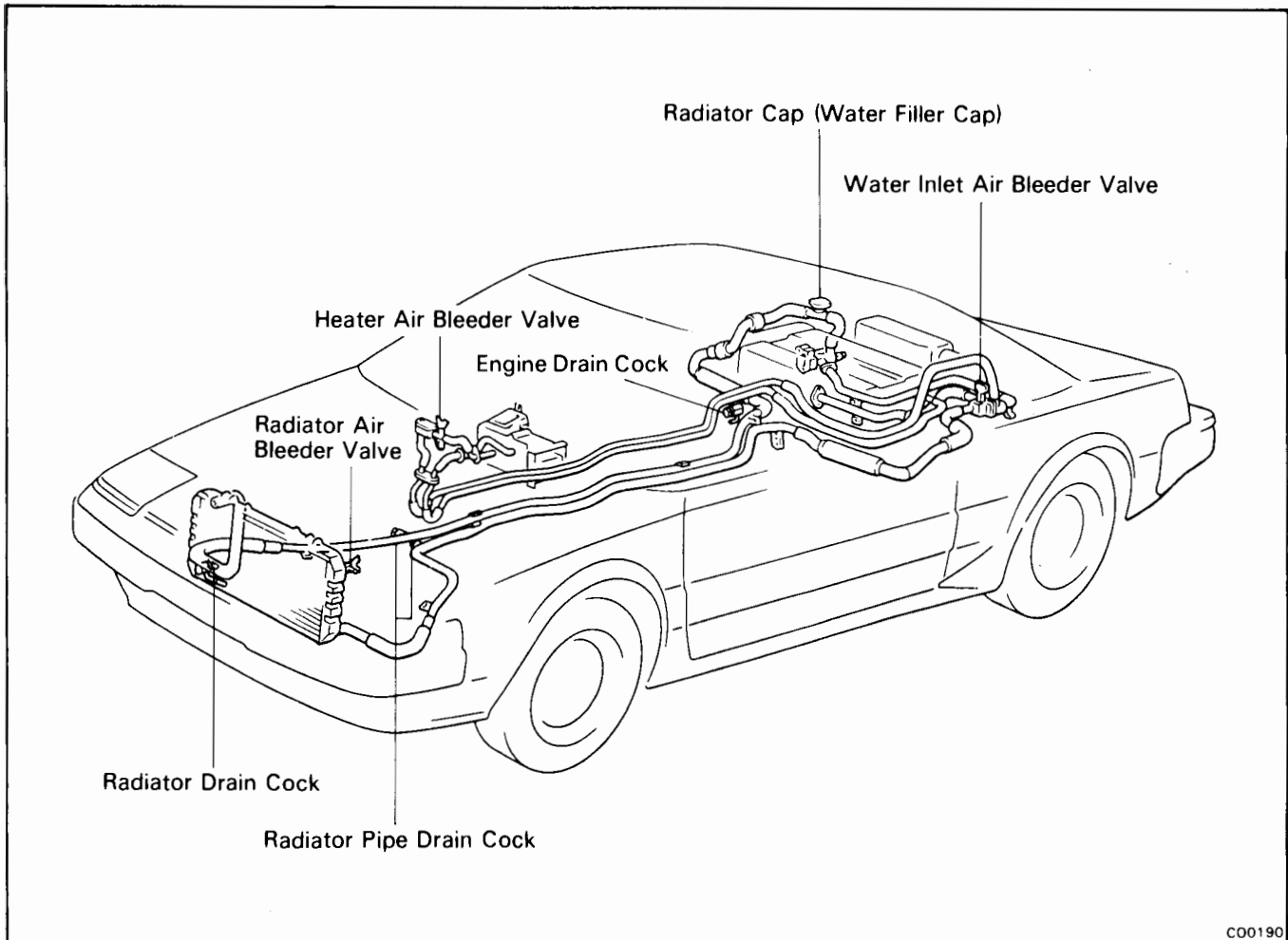
CO0198

### 2. CHECK COOLANT QUALITY

There should not be any excessive deposits of rust or scales around the radiator cap (water filler cap) or radiator filler hole, and the coolant should also be free from oil. Replace the coolant if excessively dirty.

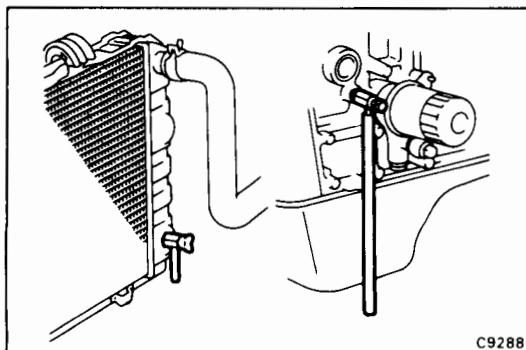
# REPLACEMENT OF ENGINE COOLANT

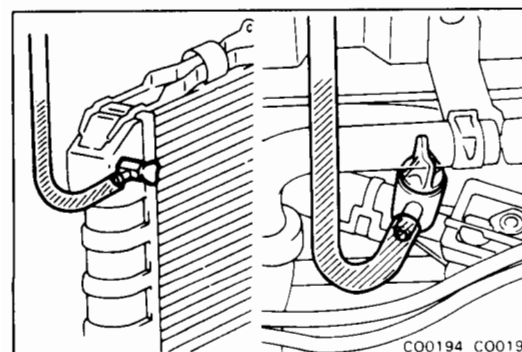
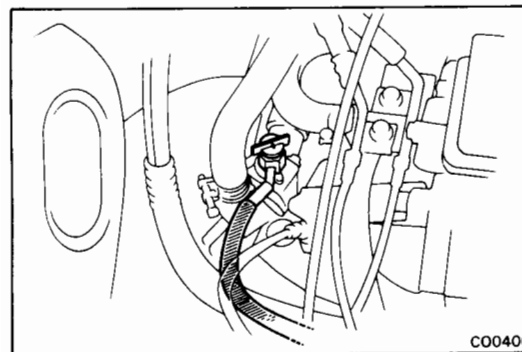
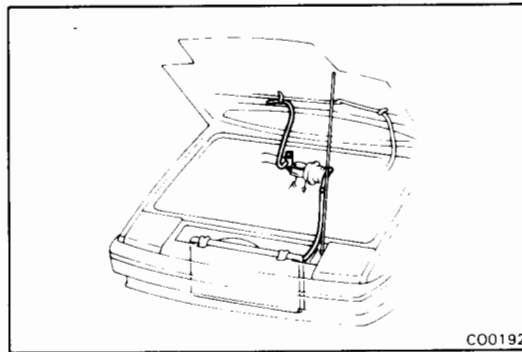
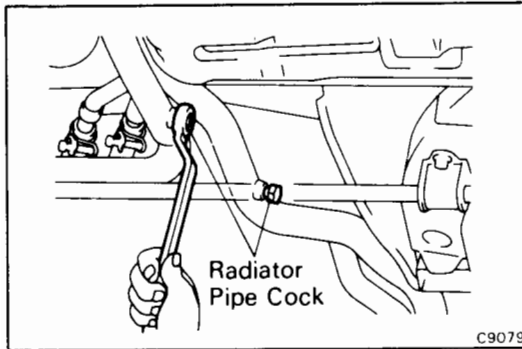
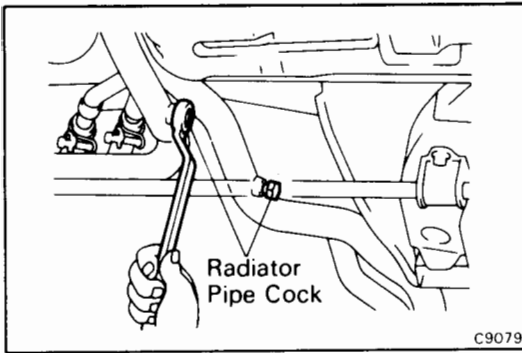
## COOLING CIRCUIT



### DRAINAGE OF ENGINE COOLANT

1. REMOVE SPARE TIRE AND LUGGAGE COMPARTMENT TRIM
2. REMOVE SERVICE HOSE
3. REMOVE NO. 1 FUEL TANK PROTECTOR
4. SET HEATER CONTROL LEVER TO MAX HOT
5. REMOVE WATER FILER CAP
6. DRAIN COOLANT
  - (a) Connect the service hose to the drain cock.
  - (b) Drain the coolant from the radiator and engine dra cocks.





- (c) Drain the coolant from the two radiator pipe's cocks.

## REPLACEMENT OF ENGINE COOLANT

### 1. CLOSE DRAIN COCKS

Tight the radiator drain cock and torque the engine and radiator pipes drain cocks.

#### Torque:

Radiator pipe	170 kg-cm (12 ft-lb, 17 N·m)
Engine	130 kg-cm ( 9 ft-lb, 13 N·m)

### 2. CONNECT SERVICE HOSES

- Connect the service hoses to the radiator and heater air bleeder valves.
- Suspend the opposite end of the hose connected to the radiator to the hood stay.
- Suspend the opposite end of the hose connected to the heater air bleeder valve to the windshield washer tube.

NOTE: Do not close-off or pinch any of the tubes.

### 3. REFILL WITH COOLANT

NOTE: Use a good brand of ethylene-glycol base coolant, mixed according to the manufacturer's directions.

- Open the water inlet, radiator and heater air bleeder valves about three turns.
- Pour the coolant into the water filler.
- When the coolant begins to come out of the engine air bleeder valve, stop pouring and close the air drain valve.
- Again, pour coolant into the water filler hole until it is full.
- Check that the coolant levels in the suspended tubes come up to the level of the water filler nozzle.

If the coolant level in either tube does not come up to filler nozzle lever, check the tube for folds or obstructions. Repeat steps (d) and (e) above.

#### Total capacity:

M/T

With heater

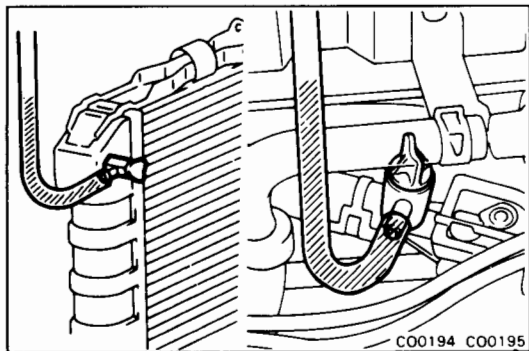
12.2 liters (12.9 US qts, 10.7 Imp. qts)

Others

12.4 liters (13.1 US qts, 10.9 Imp. qts)

A/T

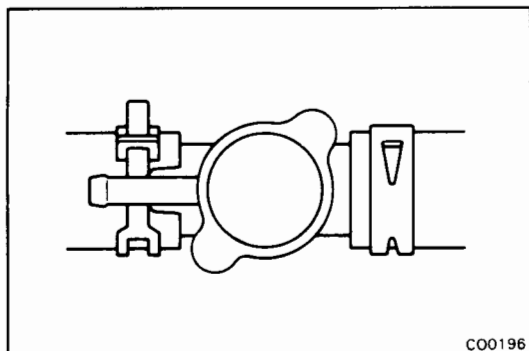
12.9 liters (13.6 US qts, 11.4 Imp. qts)



(f) Close the radiator and heater air bleeder valves.

(g) Disconnect the service hoses.

NOTE: When removing the service hoses, place a rag beneath the valve to catch any dripping coolant.



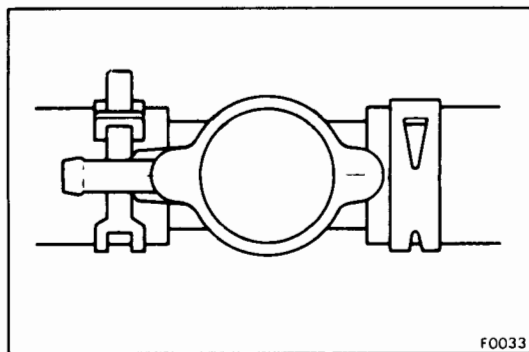
(h) Fasten the radiator cap (water filler cap) to the first stop point.

NOTE: Do not tighten the radiator cap completely (to the second stop point).

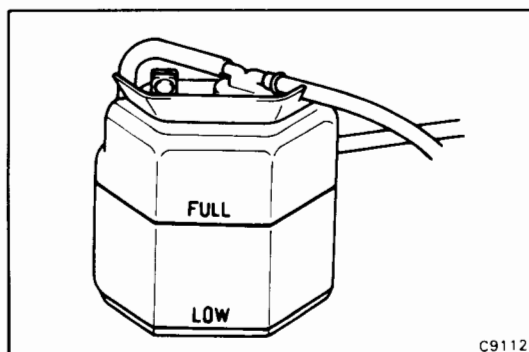
(i) Start the engine and run at fast idle for about 3 minutes, and then turn it off.

If the level of the radiator filler hole falls add coolant as before.

Then repeat steps (h) and (i) above.



(j) Completely tighten the radiator cap.



(k) Fill coolant into the reservoir tank up to the "FULL" mark.

#### 4. INSTALL NO. 1 FUEL TANK PROTECTOR

#### 5. INSTALL SERVICE HOSE

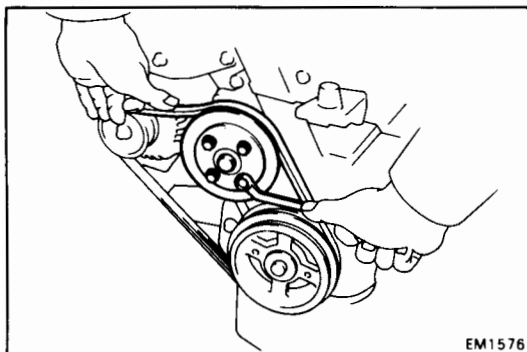
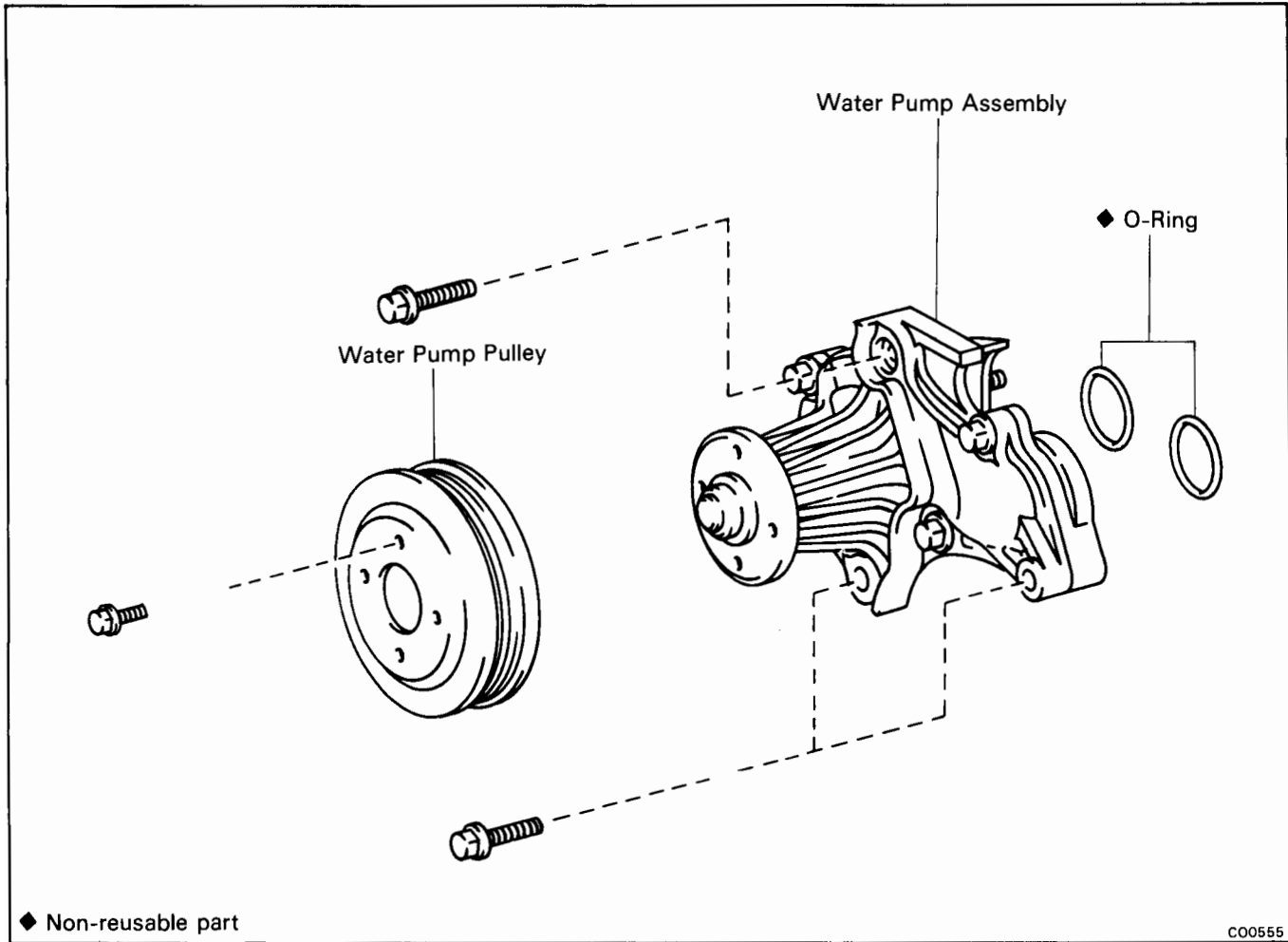
NOTE: Thoroughly flush out remaining coolant in hoses.

#### 6. START ENGINE AND CHECK FOR LEAKS

#### 7. INSTALL FRONT LUGGAGE COMPARTMENT TRIM AND SPARE TIRE

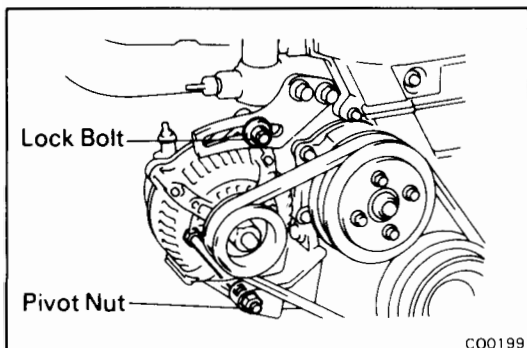


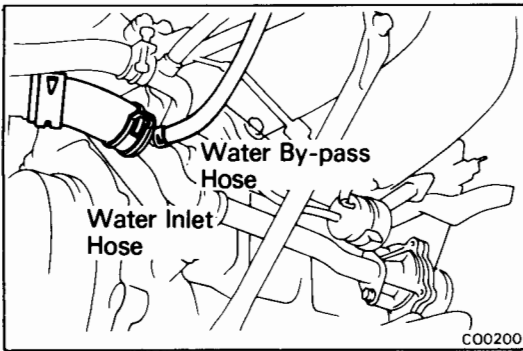
## WATER PUMP COMPONENTS



### REMOVAL OF WATER PUMP

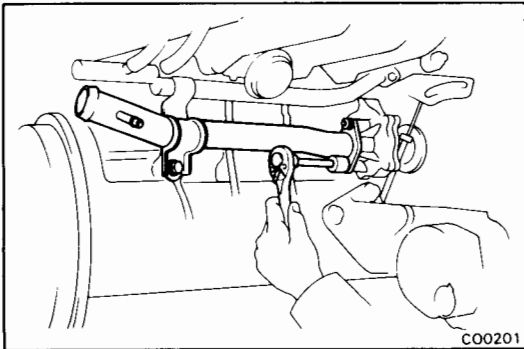
1. **DRAIN COOLANT** (See page CO-3)
2. **IF VEHICLE HAS AIR CONDITIONING, REMOVE COMPRESSOR DRIVE BELT AND IDLE PULLEY**
3. **REMOVE ALTERNATOR DRIVE BELT**
  - (a) Loosen the water pump pulley bolts.
  - (b) Loosen the lock bolt and pivot nut.
  - (c) Move the alternator fully right, and remove the drive belt.
4. **REMOVE WATER PUMP PULLEY**  
Remove the four bolts and pump pulley.



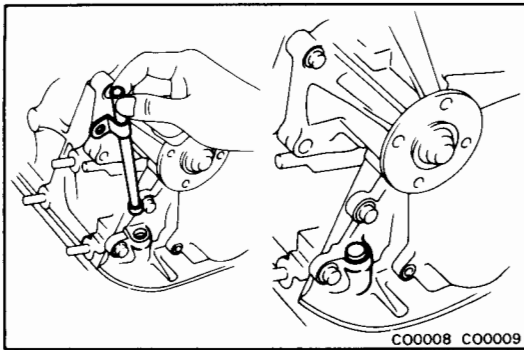


## 5. REMOVE WATER INLET PIPE

- (a) Disconnect the water inlet and water by-pass hoses from the inlet pipe.



- (b) Remove the two nut and clamp bolts.  
 (c) Remove the water inlet pipe and O-ring.

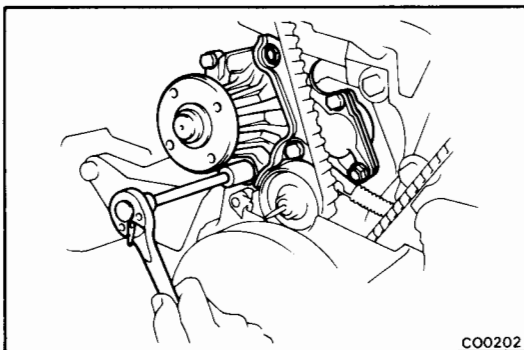


## 6. REMOVE OIL DIPSTICK GUIDE AND DIPSTICK

Remove the mounting bolt and pull out the oil dipstick guide and dipstick.

**NOTE:** After pulling out the oil dipstick guide, be sure to plug the oil pump body hole.

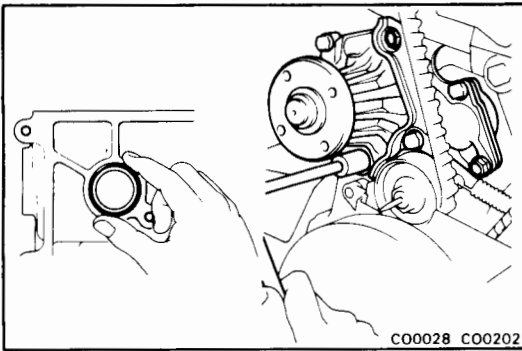
## 7. REMOVE NO. 3 AND NO. 2 TIMING BELT COVERS AND GASKETS



## 8. REMOVE WATER PUMP

Remove the three bolts and water pump.

**CAUTION:** Be careful not to get coolant on the timing belt.



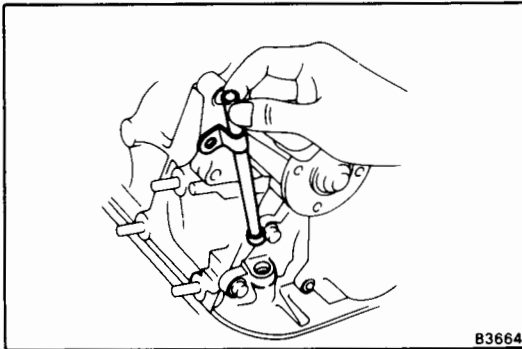
## INSTALLATION OF WATER PUMP

### 1. INSTALL WATER PUMP

Place the water pump O-ring on the block and install the pump with three bolts.  
Torque the bolts.

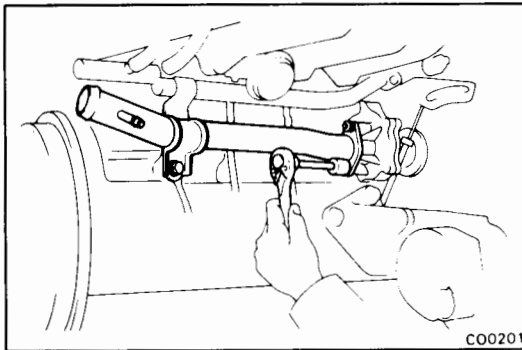
**Torque: 150 kg-cm (11 ft-lb, 15 N·m)**

### 2. INSTALL NO. 2 AND NO. 3 TIMING BELT COVERS WITH GASKETS



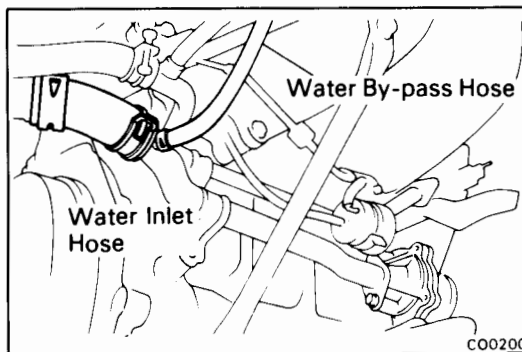
### 3. INSTALL OIL DIPSTICK GUIDE AND DIPSTICK

- Install a new O-ring on the oil dipstick guide.
- Apply small amount of engine oil to O-ring.
- Push in the oil dipstick guide with the O-ring.
- Install the mounting bolt.

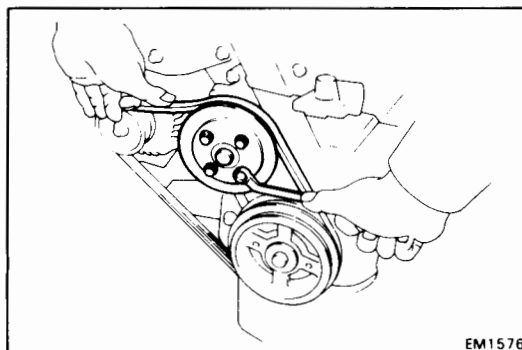


### 4. INSTALL INLET PIPE

- Install the inlet pipe and a new O-ring to the water pump with the two nuts.
- Install the inlet pipe clamp bolt.

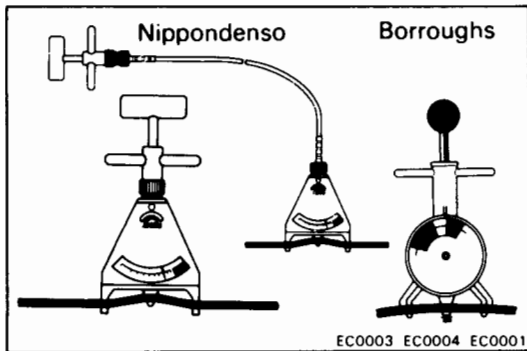


- Connect the water inlet and water by-pass hoses to the inlet pipe.



### 5. INSTALL WATER PUMP PULLEY AND ALTERNATOR DRIVE BELT

- Install the water pump pulley and temporarily tighten the four bolts.
- Place the drive belt on each pulley and set up the drive belt.
- Tighten the four bolts.



## 6. ADJUST DRIVE BELT TENSION

Using a belt tension gauge, adjust the drive belt tension.

Belt tension gauge:

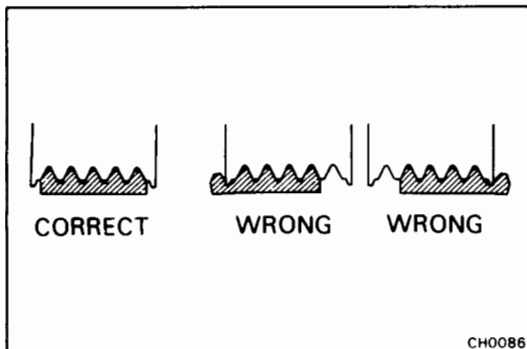
Nippondenso BTG-20 (95506-00020) or  
Borroughs No. BT-33-73F

Drive belt tension:

Alternator	New belt	175 ± 5 lb
	Used belt	115 ± 20 lb
A/C	New belt	160 ± 20 lb
	Used belt	105 ± 10 lb

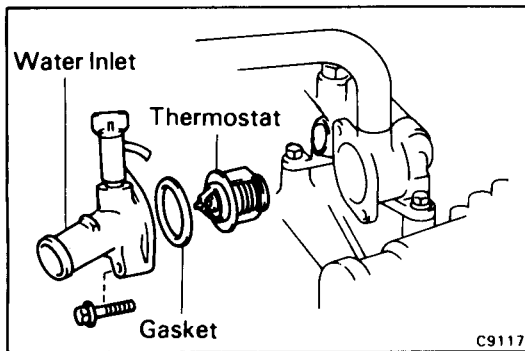
NOTE:

- "New belt" refers to a belt which has been used less than 5 minutes on a running engine.
- "Used belt" refers to a belt which has been used on a running engine for 5 minutes or more.
- After installing the drive belt, check that it fits properly in the ribbed grooves.



## 7. REFILL WITH COOLANT (See page CO-4)

## 8. START ENGINE AND CHECK FOR LEAKS

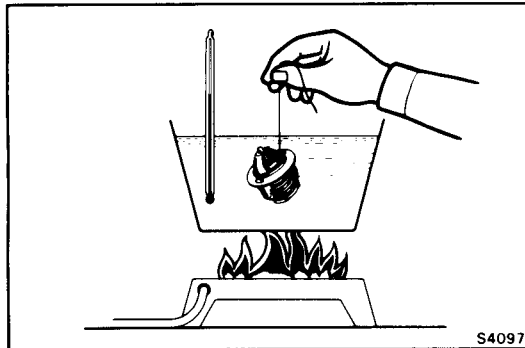


## THERMOSTAT

### REMOVAL OF THERMOSTAT

1. **DRAIN COOLANT** (See page CO-3)
2. **REMOVE WATER INLET AND THERMOSTAT**

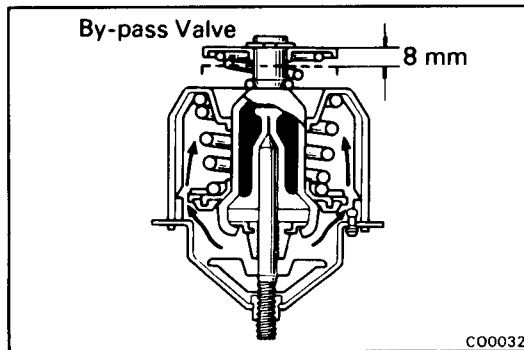
Remove the two bolts, the water inlet and thermostat from the water inlet housing.



### INSPECTION OF THERMOSTAT

**NOTE:** The thermostat is numbered according to the valve opening temperature.

- (a) Immerse the thermostat in water and heat the water gradually.



- (b) Check the valve opening temperature and valve lift. If the valve opening temperature and valve lift are not within the following specifications, replace the thermostat.

**Low temperature type:**

Valve opening temperature **80 – 84°C**  
(176 – 183°F)

Valve lift **More than 8 mm (0.31 in.)**  
at 95°C (203°F)

- (c) Check that valve spring is tight when the thermostat is fully closed. Replace as necessary.

### INSTALLATION OF THERMOSTAT

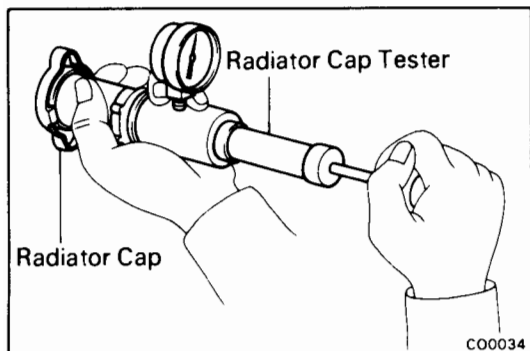
1. **INSTALL THERMOSTAT AND WATER INLET**  
Install the water inlet on a new gasket with two bolts.
2. **REFILL RADIATOR WITH COOLANT** (See page CO-4)
3. **START ENGINE AND CHECK FOR LEAKS**

## RADIATOR

### CLEANING OF RADIATOR

Using water or steam cleaner, remove any mud and dirt from the radiator core.

**CAUTION:** If using a high pressure type cleaner, be careful not to deform radiator core fins. Keep a distance of more than 40 – 50 cm (15.75 – 19.69 in.) between the radiator core and cleaner nozzle when the cleaner nozzle pressure is 30 – 35 kg/cm<sup>2</sup> (427 – 498 psi, 2,942 – 3,432 kPa).



### INSPECTION OF RADIATOR

#### 1. CHECK RADIATOR CAP (WATER FILLER CAP)

Using a radiator cap tester, pump the tester until the relief valve opens. Check that the valve opens between 0.75 kg/cm<sup>2</sup> (10.7 psi, 74 kPa) and 1.05 kg/cm<sup>2</sup> (15 psi, 103 kPa).

Check that the pressure gauge does not drop rapidly when pressure on the cap is below 0.6 kg/cm<sup>2</sup> (8.5 psi, 59 kPa).

If either check is not within limits, replace the cap.

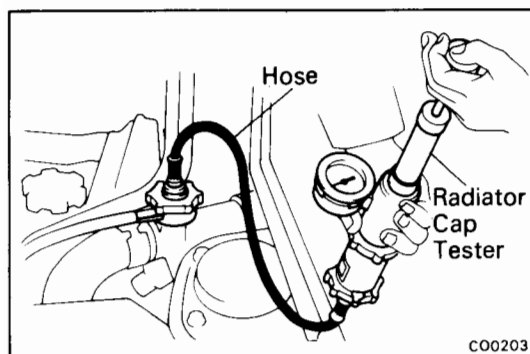
#### 2. CHECK COOLING SYSTEM FOR LEAKS

(a) Fill the radiator with coolant and attach a radiator cap tester.

(b) Warm up the engine.

(c) Pump it to 1.2 kg/cm<sup>2</sup> (17 psi, 118 kPa), check that pressure does not drop.

If the pressure drops, check for leaks from the hoses, pipes, radiator or water or water pump. If no external leaks are found, check the heater core, block and head.



### REMOVAL OF RADIATOR

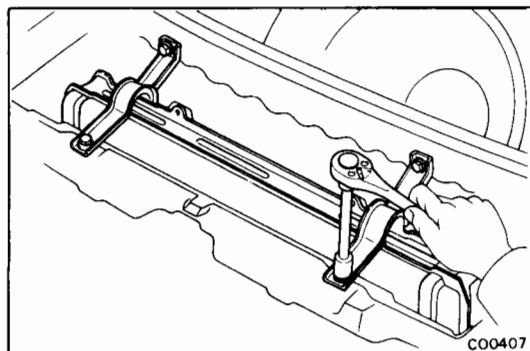
1. DRAIN COOLANT (See page CO-3)

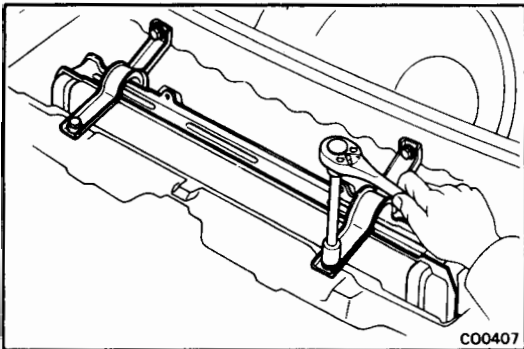
2. REMOVE ELECTRIC COOLING FAN(S)  
(See page CO-16)

3. DISCONNECT TEMPERATURE SWITCH CONNECTOR

4. DISCONNECT TWO RADIATOR HOSES

5. REMOVE TWO RADIATOR SUPPORTS AND RADIATOR

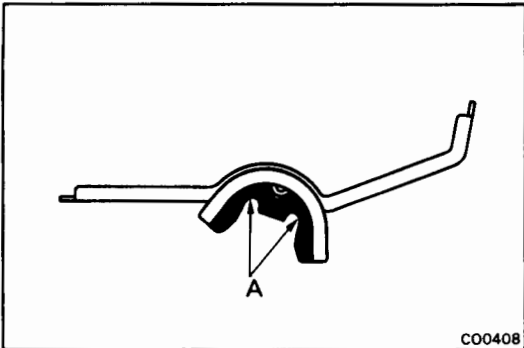




## INSTALLATION OF RADIATOR

### 1. INSTALL RADIATOR AND SUPPORT

Place the radiator in installed position and install the two supports with two bolts.

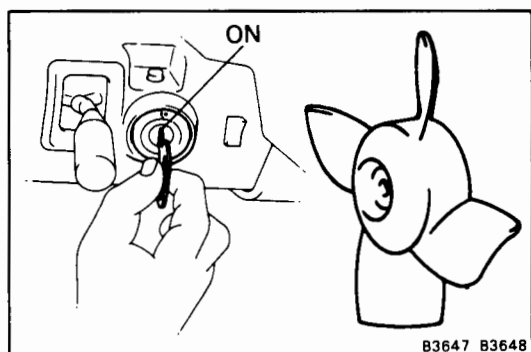
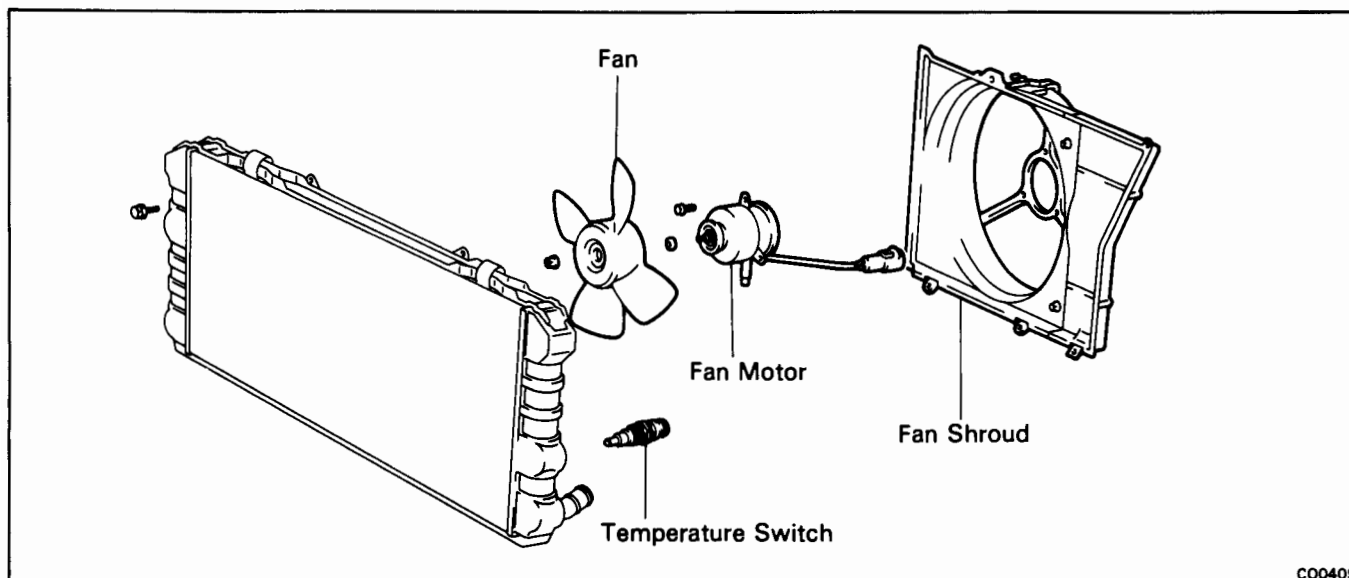


NOTE: After installation, confirm that the rubber cushion (A) of the support is not depressed.

2. CONNECT TWO RADIATOR HOSES
3. CONNECT TEMPERATURE SWITCH CONNECTOR
4. INSTALL ELECTRIC COOLING FANS  
(See page CO-16)
5. REFILL WITH COOLANT (See page CO-4)
6. START ENGINE AND CHECK FOR LEAKS

## ELECTRIC COOLING FAN (RADIATOR)

### COMPONENTS



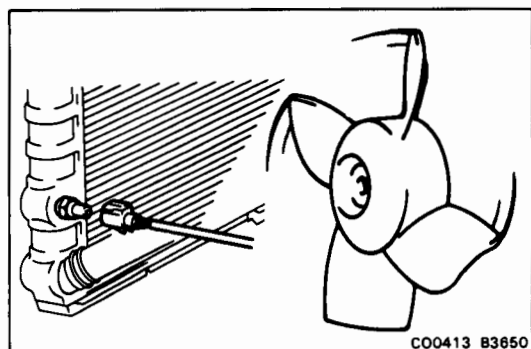
### ON-VEHICLE INSPECTION

#### Low Temperature [below 83°C (181°F)]

##### 1. TURN IGNITION SWITCH ON

Confirm that the fan stops.

If it doesn't, check the fan relay and temperature switch, and check for a separated connector or severed wire between the relay and temperature switch.

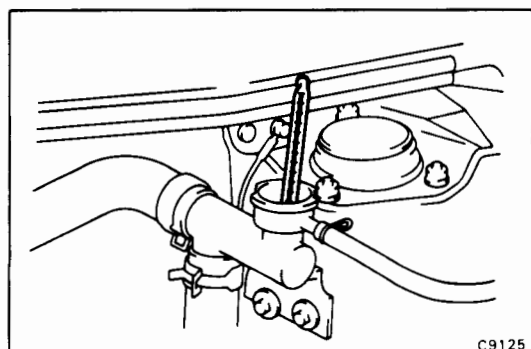


##### 2. DISCONNECT TEMPERATURE SWITCH CONNECTOR

Confirm that the fan rotates.

If it doesn't, check the fan relay, fan motor, ignition relay and fuse, and check for a short circuit between the fan relay and temperature switch.

##### 3. CONNECT TEMPERATURE SWITCH CONNECTOR



#### High Temperature [above 93°C (199°F)]

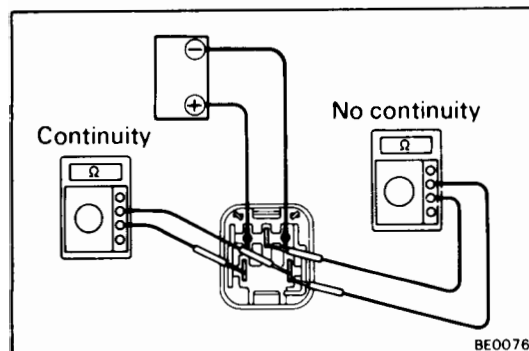
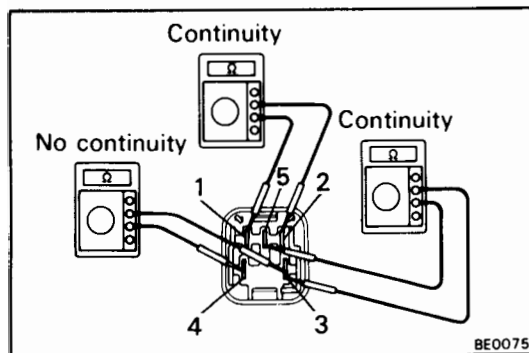
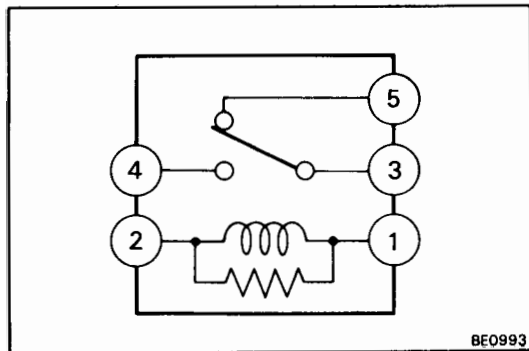
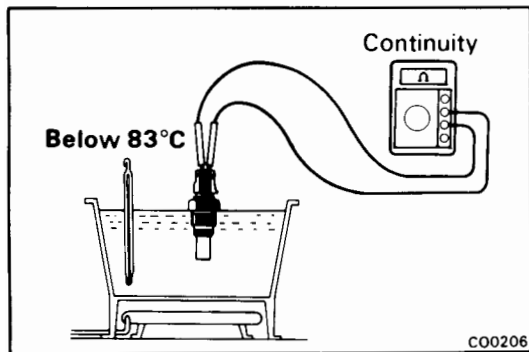
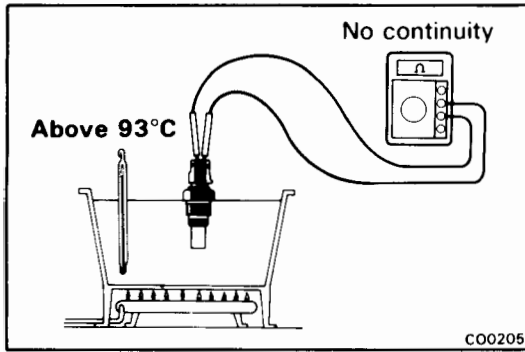
##### 4. START ENGINE

(a) Raise the engine temperature to above 93°C (199°F).

(b) Confirm that the fan rotates.

If it doesn't, replace the temperature switch.





## INSPECTION OF ELECTRIC COOLING FAN

### 1. INSPECT TEMPERATURE SWITCH

NOTE: The switch is located at the radiator right side.

(a) Using an ohmmeter, check that there is no continuity when the coolant is above 93°C (199°F).

(b) Check that there is continuity when the coolant temperature is below 83°C (181°F).

### 2. INSPECT FAN MAIN RELAY

NOTE: The relay is located in the No. 5 junction block of the front luggage compartment.

#### Inspect Relay Continuity

(a) Using an ohmmeter, check that there is continuity between terminals 1 and 2.

(b) Check that there is continuity between terminals 3 and 5.

(c) Check that there is no continuity between terminals 3 and 4.

If continuity is not as specified, replace the relay.

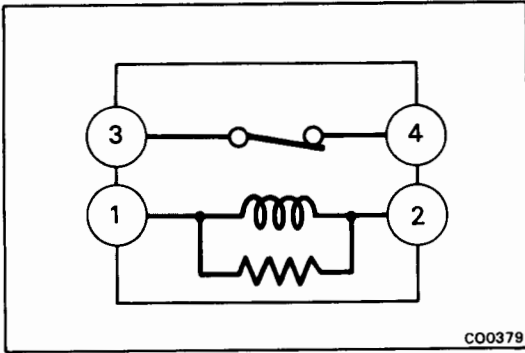
#### Inspect Relay Operation

(a) Apply battery voltage across terminals 1 and 2.

(b) Using an ohmmeter, check that there is continuity between terminals 3 and 4.

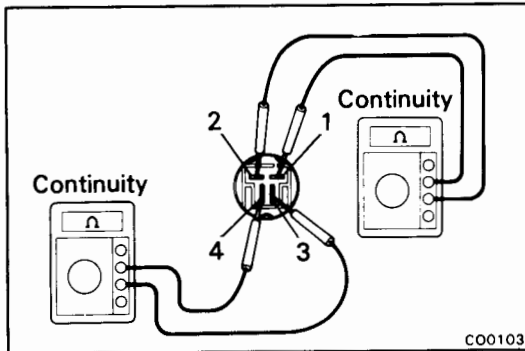
(c) Check that there is no continuity between terminals 3 and 5.

If operation is not as described, replace the relay.



**3. INSPECT NO. 1 FAN RELAY**

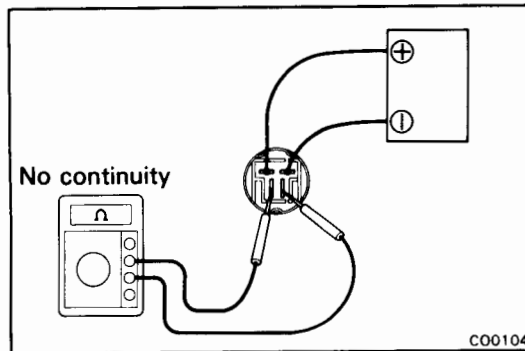
**NOTE:** The relay located in the No. 5 junction block of the front luggage compartment.



**Inspect Relay Continuity**

- (a) Using an Ohmmeter, check that there is continuity between terminals 1 and 2.
- (b) Check that there is continuity between terminals 3 and 4.

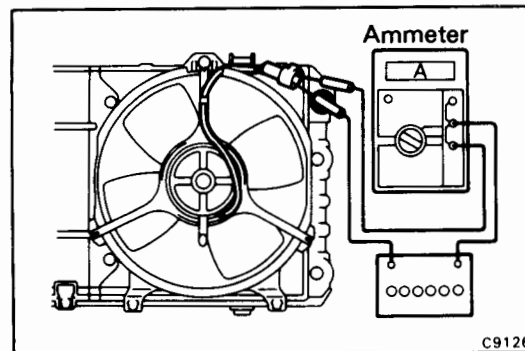
If continuity is not as specified, replace the relay.



**Inspect Relay Operation**

- (a) Apply battery voltage across terminals 1 and 2.
- (b) Check that there is no continuity between terminals 3 and 4.

If operation is not as described, replace the relay.



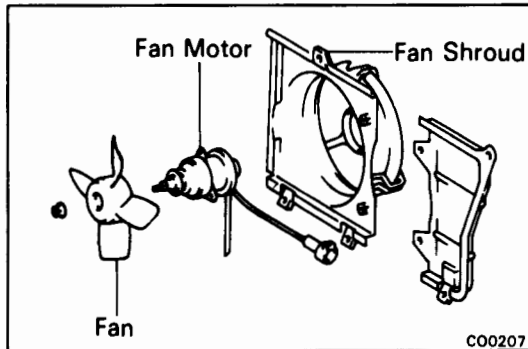
**4. INSPECT FAN MOTOR**

- (a) Connect the battery and ammeter to the fan motor connector.
- (b) Check to see that the motor rotates smoothly, and current is as follows:

**Current: 5.8 – 7.4 A (M/T)**  
**8.8 – 10.8 A (A/T)**

**REMOVAL OF ELECTRIC COOLING FAN**

1. **DISCONNECT CONNECTOR OF FAN MOTOR**
2. **REMOVE ELECTRIC COOLING FAN**  
Remove the five bolts and electric cooling fan.

**DISASSEMBLY OF ELECTRIC COOLING FAN**

(See page CO-13)

1. **REMOVE FAN**  
Remove the nut and fan.
2. **REMOVE FAN MOTOR**  
Remove the three screws and fan motor.

**ASSEMBLY OF ELECTRIC COOLING FAN**

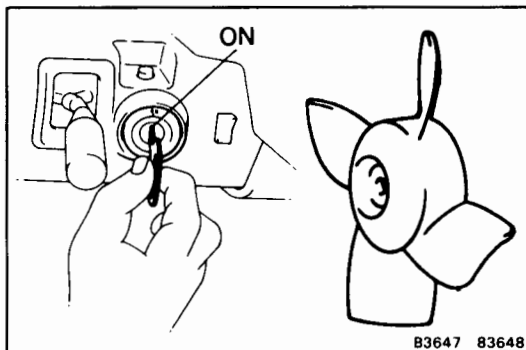
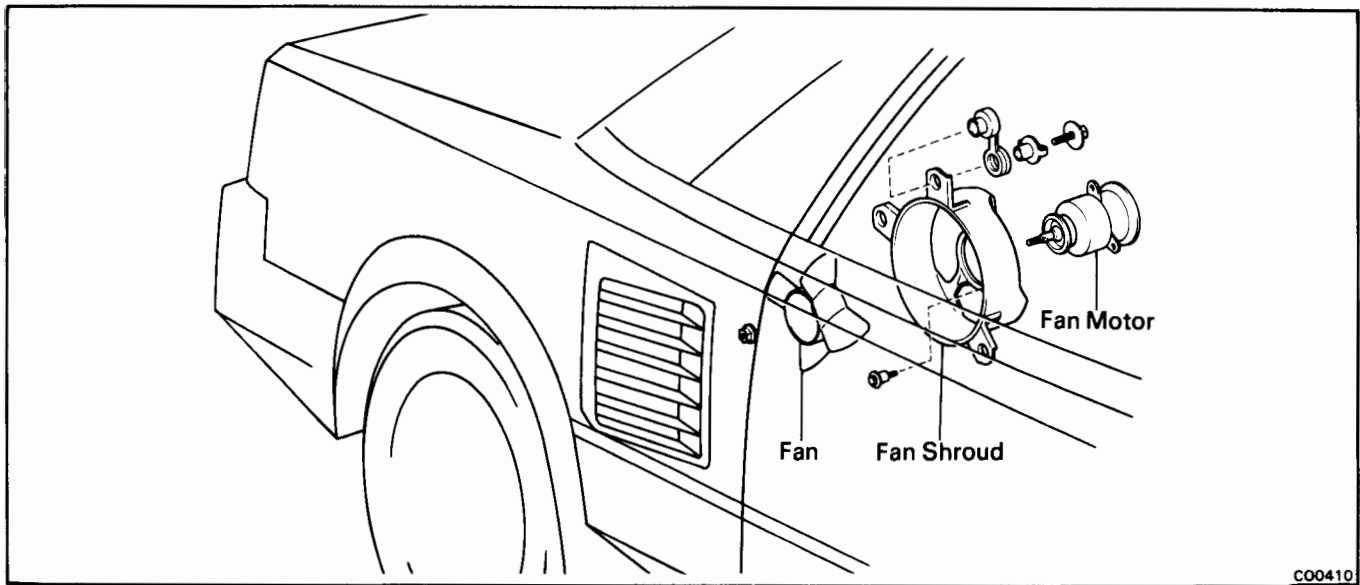
(See page CO-13)

1. **INSTALL FAN MOTOR**  
Install the fan with the three screws.
2. **INSTALL FAN**  
Install the fan with the nut.

**INSTALLATION OF ELECTRIC COOLING FAN**

1. **INSTALL ELECTRIC COOLING FAN(S)**
2. **CONNECT CONNECTOR OF FAN MOTOR**

## ELECTRIC COOLING FAN (ENGINE COMPARTMENT) COMPONENTS



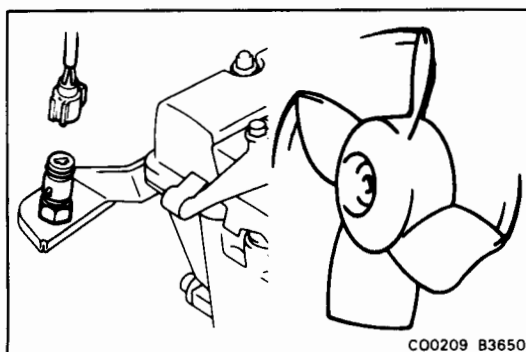
### ON-VEHICLE INSPECTION

#### Low Temperature [below 54°C (129°F)]

##### 1. TURN IGNITION SWITCH ON

Confirm that the fan stops.

If it doesn't, then check the fan relay and temperature sensor, and check for a separated connector or severed wire between the relay and temperature sensor.

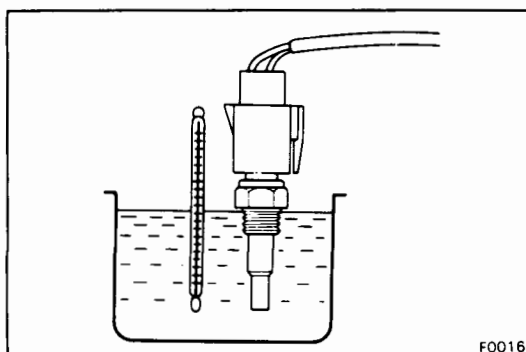


##### 2. DISCONNECT TEMPERATURE SENSOR CONNECTOR

Confirm that the fan rotates.

If it doesn't, then check the fan relay, fan motor, engine main relay, temperature sensor and cooling fan computer.

##### 3. CONNECT TEMPERATURE SENSOR CONNECTOR



#### High Temperature [above 70°C (158°F)]

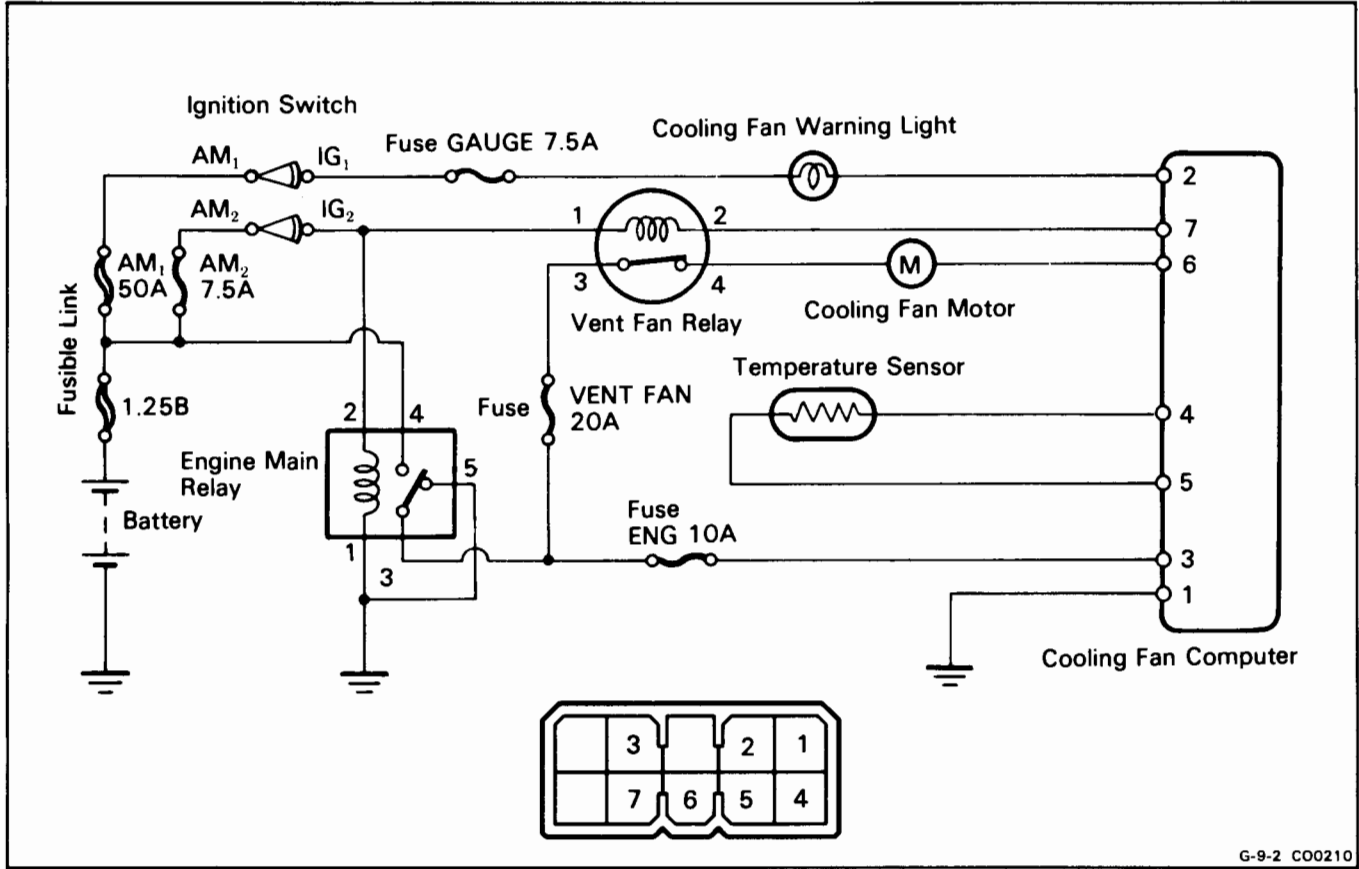
##### 4. START ENGINE

(a) Raise the engine temperature to above 70°C (158°F).

(b) Confirm that the fan rotates.

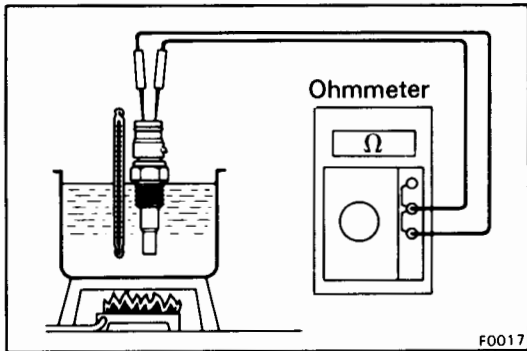
If it doesn't, replace the temperature sensor.

INSPECTION OF COOLING FAN CIRCUIT



G-9-2 CO0210

Terminals	Condition	Result
1 – Body ground	—	Coninuty
1 – 3	Ignition S/W ON	There is battery voltage.
4 – 5	Less than 54°C (129°F) More than 70°C (158°F) (Temp. sensor)	More than 600 Ω Less than 415 Ω (Sensor resistance)
1 – 2	Ignition S/W ON	The cooling fan warning light lights
1 – 6		Fan motor runs and warning light lights
1 – 6	Ignition S/W ON and Continuity 7-1	Fan motor stops



## INSPECTION OF ELECTRIC COOLING FAN

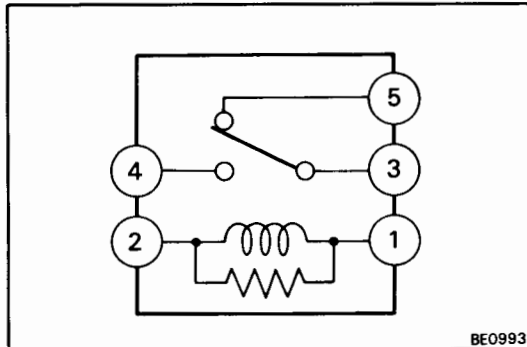
### 1. INSPECT TEMPERATURE SENSOR

NOTE: The sensor located at the cylinder head rear plate.

Using an ohmmeter, measure the resistance of the temperature sensor.

#### Resistance

Less than 54°C (129°F)	More than 600 Ω
More than 70°C (158°F)	Less than 415 Ω



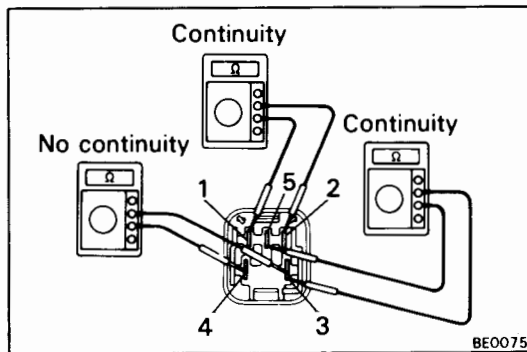
### 2. INSPECT ENGINE MAIN RELAY

NOTE: The relay is located in the No. 2 junction block of the engine compartment.

#### Inspect Relay Continuity

- Using an ohmmeter, check that there is continuity between terminals 1 and 2.
- Check that there is continuity between terminals 3 and 5.
- Check that there is no continuity between terminals 3 and 4.

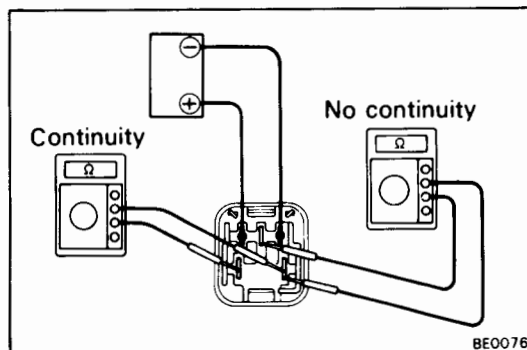
If continuity is not as specified, replace the relay.



#### Inspect Relay Operation

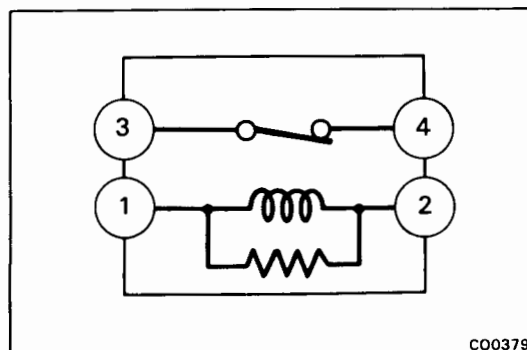
- Apply battery voltage across terminals 1 and 2.
- Using an ohmmeter, check that there is continuity between terminals 3 and 4.
- Check that there is no continuity between terminals 3 and 5.

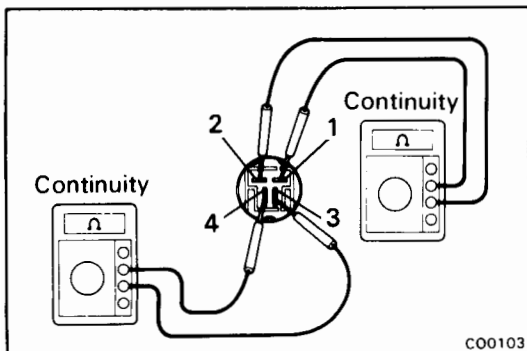
If operation is not as described, replace the relay.



### 3. INSPECT VENT FAN RELAY

NOTE: The relay located in the No. 2 junction block of the engine compartment.

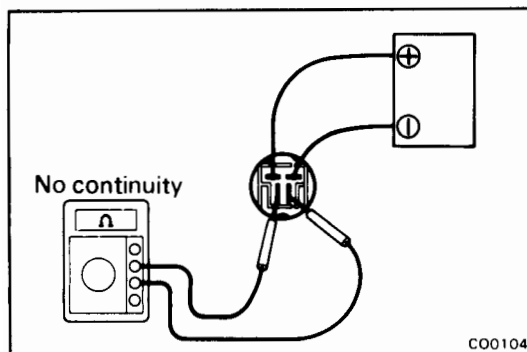




#### Inspect Relay Continuity

- Using an Ohmmeter, check that there is continuity between terminals 1 and 2.
- Check that there is continuity between terminals 3 and 4.

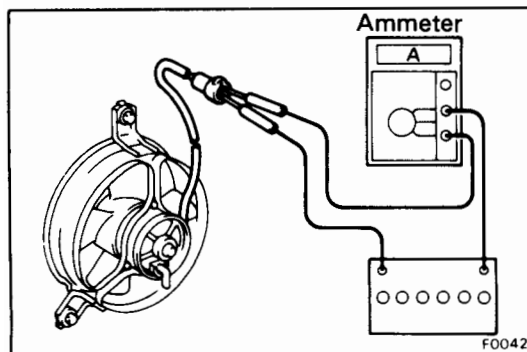
If continuity is not as specified, replace the relay.



#### Inspect Relay Operation

- Apply battery voltage across terminals 1 and 2.
- Check that there is no continuity between terminals 3 and 4.

If operation is not as described, replace the relay.



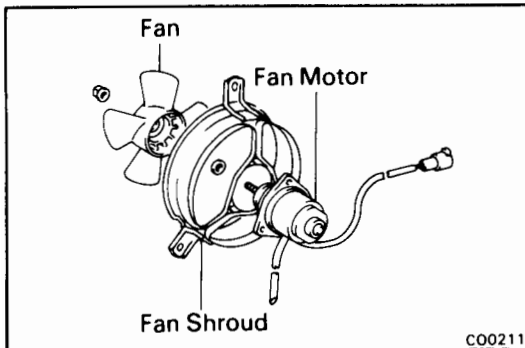
#### 4. INSPECT FAN MOTOR

- Connect the battery and ammeter to the fan motor connector.
- Check to see that the motor rotates smoothly, and current is as follows:

**Current: 1.5 – 2.7 A**

**REMOVAL OF ELECTRIC COOLING FAN**

1. **DISCONNECT CONNECTOR OF FAN MOTOR**
2. **REMOVE ELECTRIC COOLING FAN**  
Remove the three bolts, spacers and cooling fan.

**DISASSEMBLY OF ELECTRIC COOLING FAN**

(See page CO-17)

1. **REMOVE FAN**  
Remove the nut and fan.
2. **REMOVE FAN MOTOR**  
Remove the three screws and fan motor.

**ASSEMBLY OF ELECTRIC COOLING FAN**

(See page CO-17)

1. **INSTALL FAN MOTOR**  
Install the fan motor with the three screws.
2. **INSTALL FAN**  
Install the fan with nut.

**INSTALLATION OF ELECTRIC COOLING FAN**

1. **INSTALL ELECTRIC COOLING FAN**  
Install the cooling fan with the three bolts and spacers.
2. **CONNECT CONNECTOR OF FAN MOTOR**

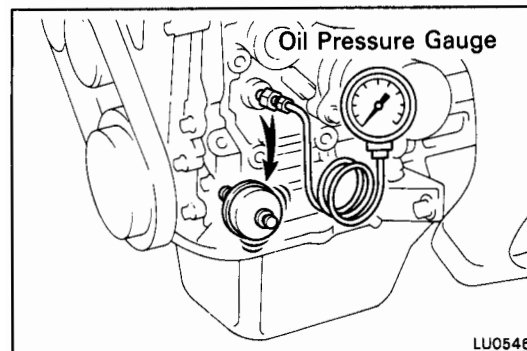
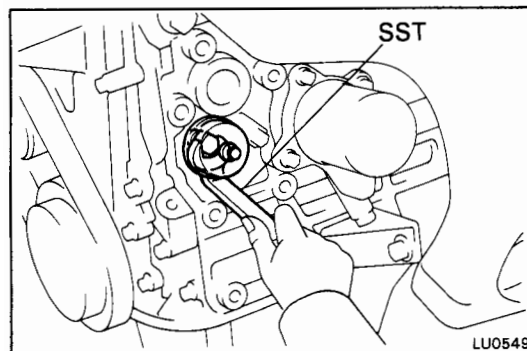
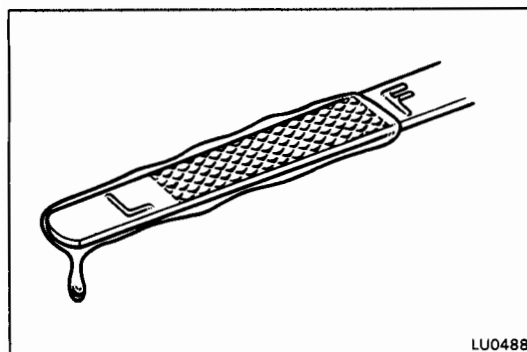
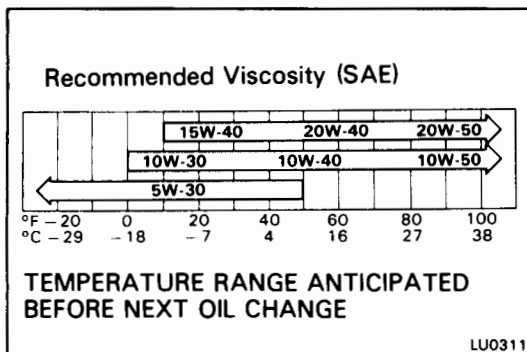


# LUBRICATION SYSTEM

	Page
TROUBLESHOOTING .....	LU-2
OIL PRESSURE CHECK .....	LU-3
REPLACEMENT OF ENGINE OIL AND OIL FILTER .....	LU-4
OIL PUMP .....	LU-5
OIL COOLER AND PRESSURE REGULATOR .....	LU-13

## TROUBLESHOOTING

Problem	Possible cause	Remedy	Page
Oil leakage	Cylinder head, cylinder block or oil pump body damaged or cracked Oil seal faulty Gasket faulty	Repair as necessary Replace oil seal Replace gasket	LU-9 or EM-94
Low oil pressure	Oil leakage Relief valve faulty Oil pump faulty Poor quality engine oil Crankshaft bearing faulty Connecting rod bearing faulty Oil filter clogged	Repair as necessary Repair relief valve Repair oil pump Replace engine oil Replace bearing Replace bearing Replace oil filter	LU-7, 13 LU-5 LU-4 EM-66 EM-66 LU-4
High oil pressure	Relief valve faulty	Repair relief valve	LU-7, 13



## OIL PRESSURE CHECK

### 1. CHECK ENGINE OIL QUALITY

Check the oil for deterioration, entry of water, discoloring or thinning.

If the quality is poor, replace the oil.

Use API grade SF or SF/CC, fuel-efficient and recommended viscosity oil.

### 2. CHECK ENGINE OIL LEVEL

The oil level should be between the "L" and "F" marks on the dipstick.

If low, check the for leakage and add oil up to "F" mark.

### 3. (4A-GZE) REMOVE ALTERNATOR (See page CH-7)

### 4. (4A-GZE) REMOVE ALTERNATOR BRACKET (See page EM-60)

### 5. REMOVE OIL PRESSURE SENDER GAUGE Using SST, remove the oil pressure sender gauge. SST 09027-12140

### 6. INSTALL OIL PRESSURE GAUGE

### 7. START ENGINE

Start the engine and warm it up to normal operating temperature.

### 8. CHECK OIL PRESSURE

Oil pressure:

At idling 0.3 kg/cm<sup>2</sup> (4.3 psi, 29 kPa)  
or more

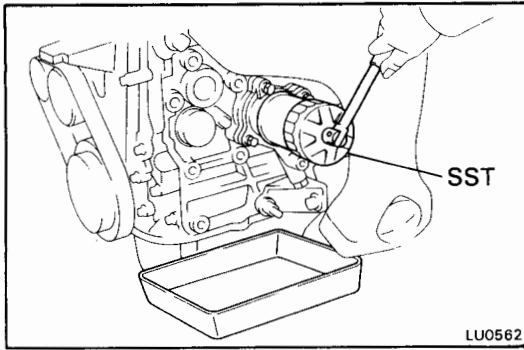
At 3,000 rpm 2.5 – 5.0 kg/cm<sup>2</sup>  
(36 – 71 psi, 245 – 490 kPa)

NOTE: Check for oil leakage after reinstalling the oil pressure sender gauge.

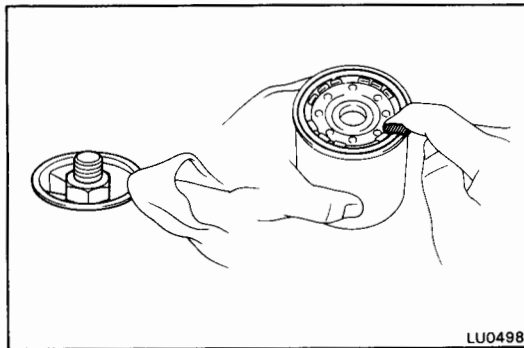
### 9. REINSTALL OIL PRESSURE SENDER GAUGE

### 10. (4A-GZE) INSTALL ALTERNATOR BRACKET (See page EM-61)

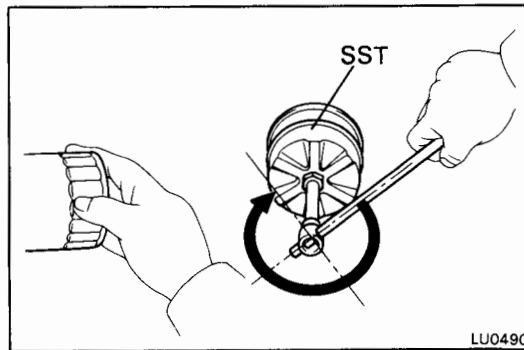
### 11. (4A-GZE) INSTALL ALTERNATOR (See page CH-15)



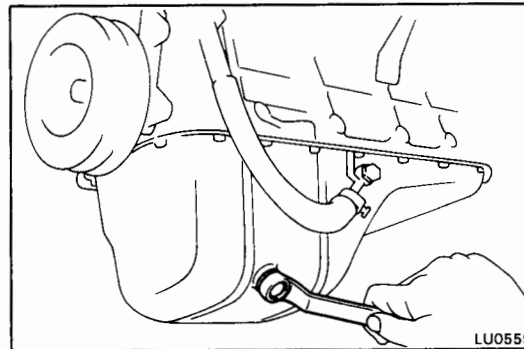
LU0562



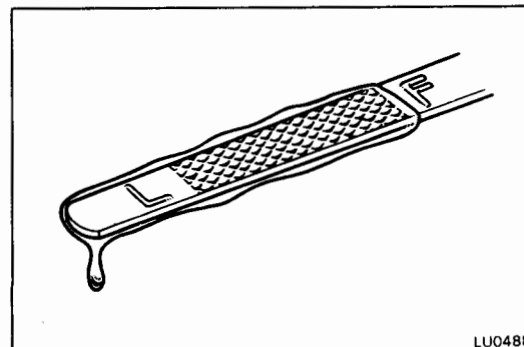
LU0498



LU0490



LU0559



LU0488

## REPLACEMENT OF ENGINE OIL AND OIL FILTER

### 1. DRAIN ENGINE OIL

- (a) Remove the oil filler cap.
- (b) Remove the oil drain plug, and drain the oil into a container.

### 2. REPLACE OIL FILTER

- (a) Using SST, remove the oil filter.  
SST 09228-06500
- (b) Check and clean the oil filter installation surface.
- (c) Apply clean engine oil to the gasket of a new oil filter.

- (d) Lightly screw in the oil filter by hand to where you feel resistance.

- (e) Using SST, tighten it another 3/4 turn.

SST 09228-06500

### 3. FILL WITH ENGINE OIL

- (a) Clean and install the oil drain plug with a new gasket.

**Torque: 250 kg-cm (18 ft-lb, 25 N·m)**

- (b) Fill the engine with new oil, API grade SF or SF/CC, multigrade, viscosity and fuel-efficient oil.

#### Capacity (w/o Oil cooler):

##### Drain and refill

##### w/o Oil filter change

3.0 liters (3.2 US qts, 2.6 Imp. qts)

##### w/ Oil filter change

3.3 liters (3.5 US qts, 2.9 Imp. qts)

Dry fill 3.7 liters (3.9 US qts, 3.3 Imp. qts)

#### Capacity (w/ Oil cooler):

##### Drain and refill

##### w/o Oil filter change

3.1 liters (3.3 US qts, 2.7 Imp. qts)

##### w/ Oil filter change

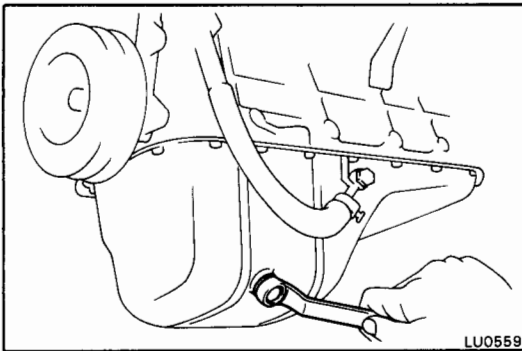
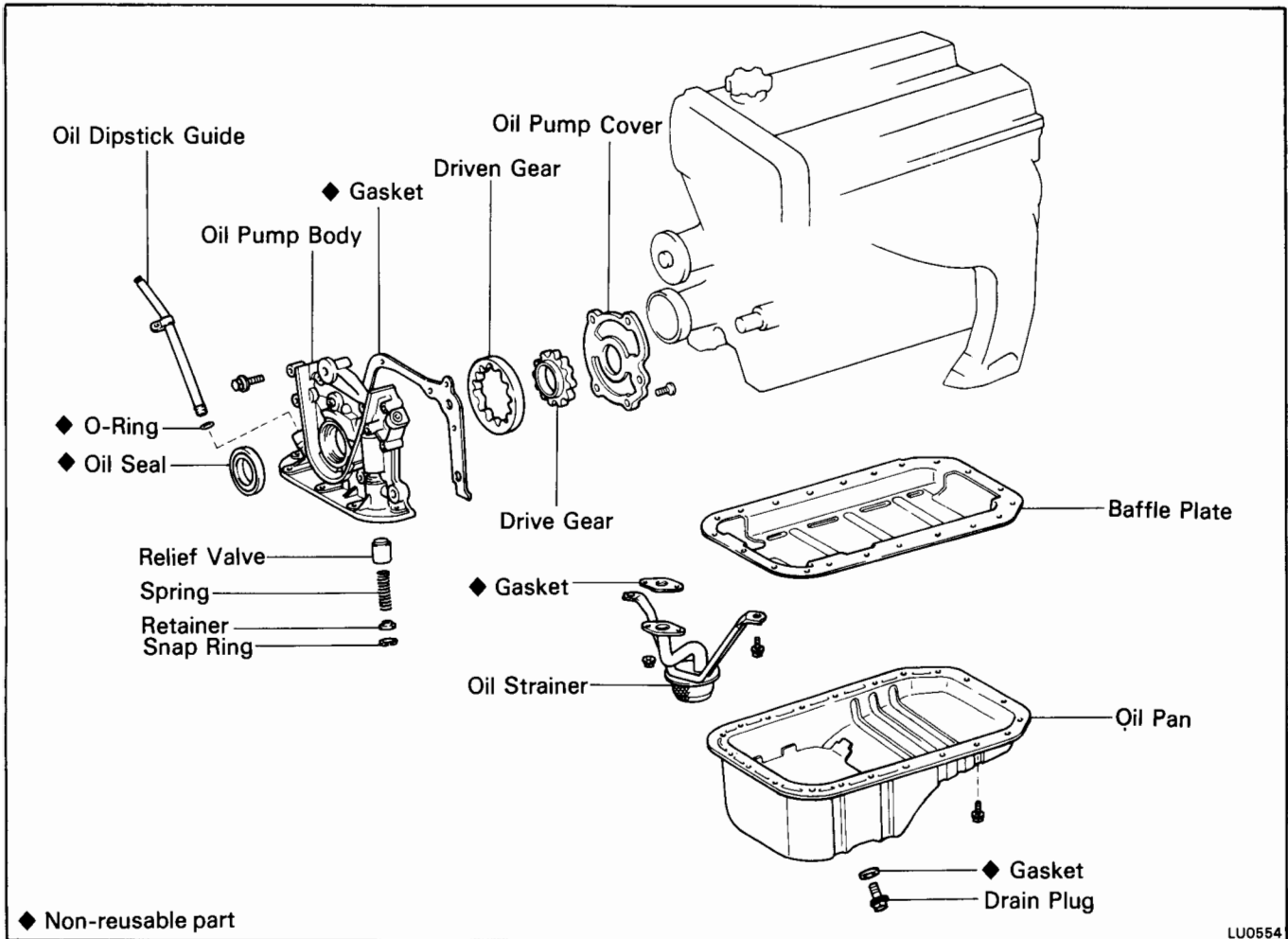
3.4 liters (3.6 US qts, 3.0 Imp. qts)

Dry fill 3.8 liters (4.0 US qts, 3.3 Imp. qts)

### 4. START ENGINE AND CHECK FOR LEAKS

### 5. RECHECK ENGINE OIL LEVEL (See page LU-3)

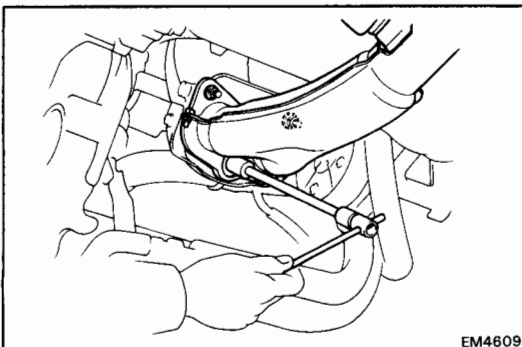
## OIL PUMP COMPONENTS

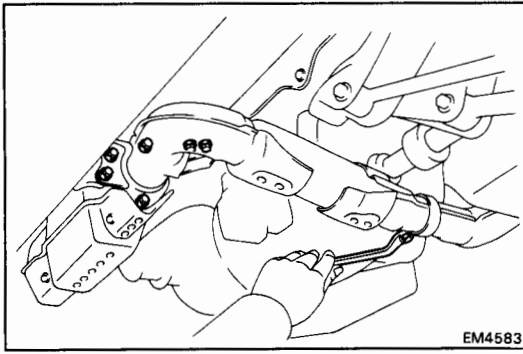


### REMOVAL OF OIL PUMP

NOTE: When repairing the oil pump, the oil pan and strainer should be removed and cleaned.

1. **RAISE VEHICLE**  
**CAUTION:** Be sure the vehicle is securely supported.
2. **DRAIN ENGINE OIL (See page LU-4)**
3. **REMOVE FRONT EXHAUST PIPE**
  - (a) Disconnect the oxygen sensor connector.
  - (b) Remove the three nuts holding the exhaust manifold to exhaust manifold pipe.





(c) Remove the four bolts, two nuts and exhaust manifold pipe.

**4. (w/ Oil cooler)  
DISCONNECT OIL COOLER HOSE**

**5. REMOVE TIMING BELT, IDLER PULLEY AND  
CRANKSHAFT TIMING PULLEY  
(See steps 1 to 14 on pages EM-15 to 18)**

**6. INSTALL RH ENGINE MOUNTING**

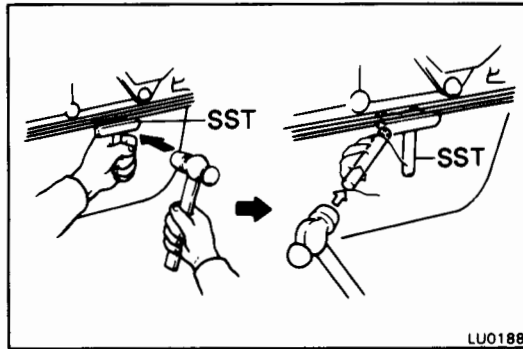
**7. REMOVE OIL PAN**

(a) Remove the nineteen bolts and two nuts.

(b) Insert the blade of SST between the baffle plate and oil pan, cut off applied sealer and remove the oil pan.

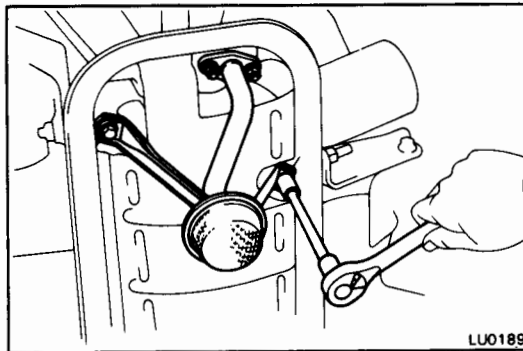
SST 09032-00100

**CAUTION:** Be careful not to damage the oil pan flange.



**8. REMOVE OIL STRAINER**

Remove the two bolts, two nuts, oil strainer and gasket.



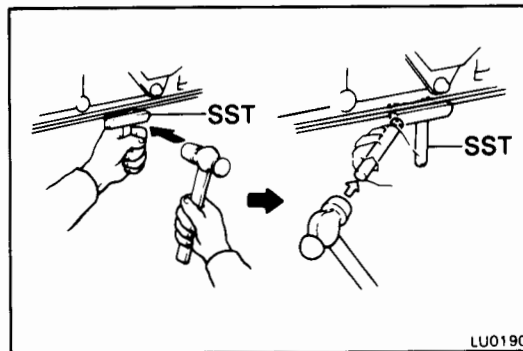
**9. REMOVE OIL PAN BAFFLE PLATE**

Insert the blade of SST between the cylinder block and baffle plate, cut off applied sealer and remove the baffle plate.

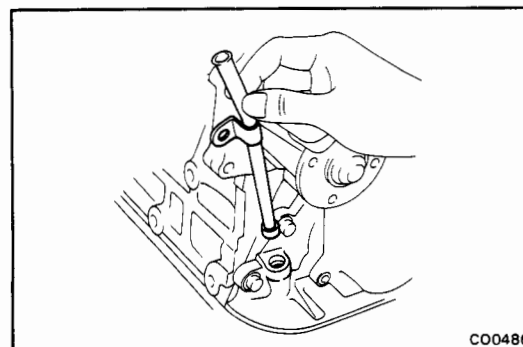
SST 09032-00100

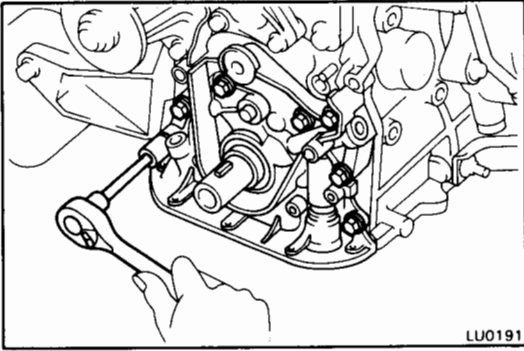
**CAUTION:**

- Do not use SST for the oil pump body side and rear oil seal retainer.
- Be careful not to damage the baffle plate flange.



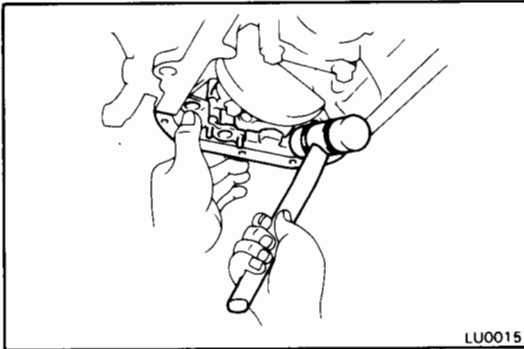
**10. REMOVE OIL DIPSTICK AND GUIDE**



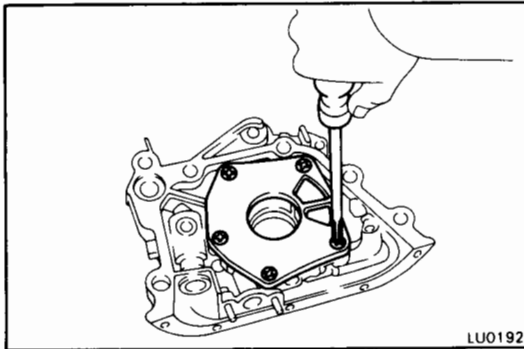


## 11. REMOVE OIL PUMP

(a) Remove the seven bolts.



(b) Using a plastic-faced hammer, careful tap off the oil pump.



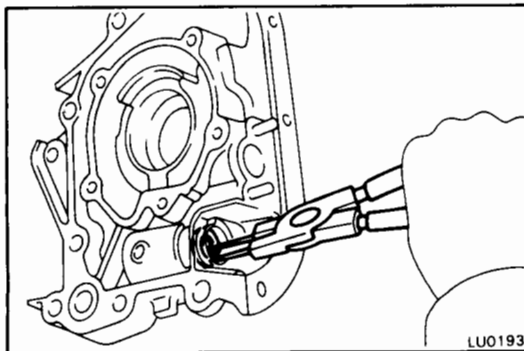
## DISASSEMBLY OF OIL PUMP

(See page LU-5)

### 1. REMOVE DRIVE AND DRIVEN GEARS

(a) Remove the five screws and oil pump body cover.

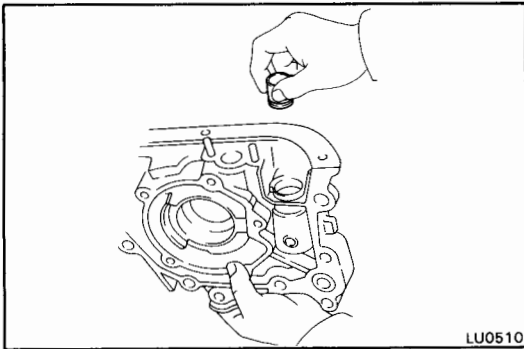
(b) Remove the drive and driven gears.



### 2. REMOVE RELIEF VALVE

(a) Using snap ring pliers, remove the snap ring.

(b) Remove the retainer, spring and relief valve.

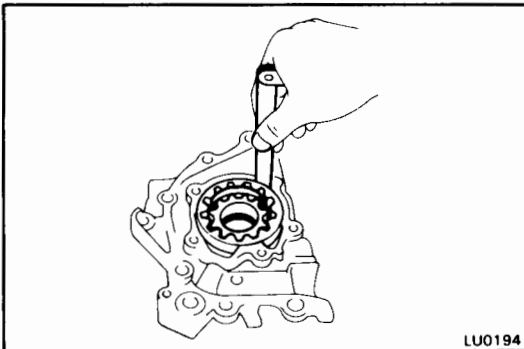


## INSPECTION OF OIL OIL PUMP

### 1. INSPECT RELIEF VALVE

Coat the relief valve with engine oil and check that it falls smoothly into the valve hole by its own weight.

If it is not, replace the relief valve. If necessary, replace the oil pump assembly.



### 2. INSPECT DRIVE AND DRIVEN GEARS

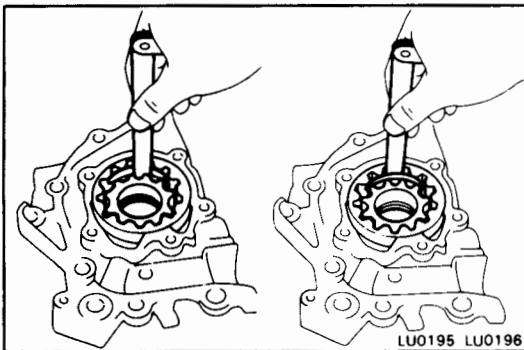
#### A. Inspect gear body clearance

Using a thickness gauge, measure the clearance between the driven gear and pump body.

**Standard body clearance:** 0.100 – 0.191 mm  
(0.0039 – 0.0075 in.)

**Maximum body clearance:** 0.20 mm (0.0079 in.)

If the body clearance is greater than maximum, replace the gears as a set. If necessary, replace the oil pump body.



#### B. Inspect gear tip clearance

Using a thickness gauge, measure the clearance between each gear and the crescent.

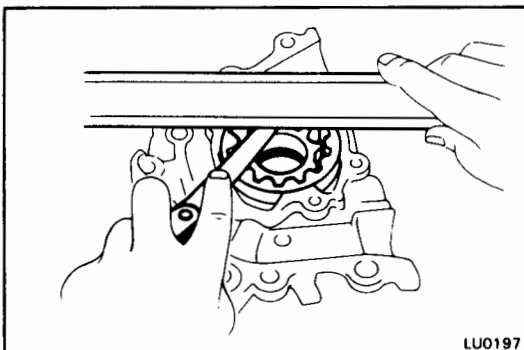
**Standard tip clearance:**

**Drive gear to crescent** 0.107 – 0.248 mm  
(0.0042 – 0.0098 in.)

**Driven gear to crescent** 0.055 – 0.306 mm  
(0.0022 – 0.0120 in.)

**Maximum tip clearance:** 0.35 mm (0.0138 in.)

If the tip clearance is greater than maximum, replace the gears as a set. If necessary, replace the oil pump body.



#### C. Inspect gear side clearance

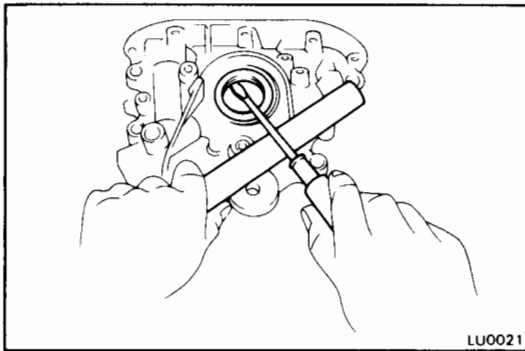
Using a precision straight edge and thickness gauge, measure the clearance as shown.

**Standard side clearance:** 0.025 – 0.075 mm  
(0.0010 – 0.0030 in.)

**Maximum side clearance:** 0.10 mm (0.0039 in.)

If the side clearance is greater than maximum, replace the gears as a set. If necessary, replace the oil pump body.

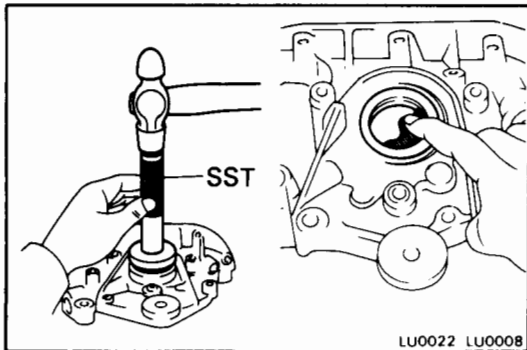




## REPLACEMENT OF OIL SEAL

### 1. REMOVE OIL SEAL

Using a screwdriver, pry out the oil seal.



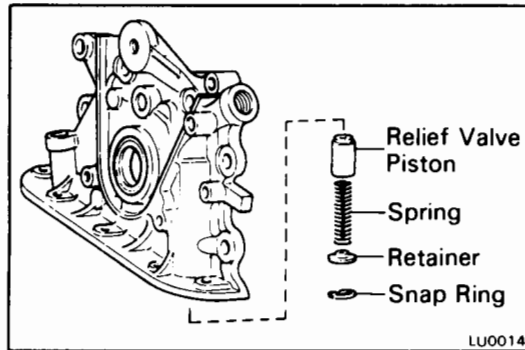
### 2. INSTALL OIL SEAL

(a) Using SST and a hammer, tap in a new oil seal.

SST 09517-30010

**CAUTION:** Be careful not to install a new oil seal slantwise.

(b) Apply MP grease to the oil seal lip.



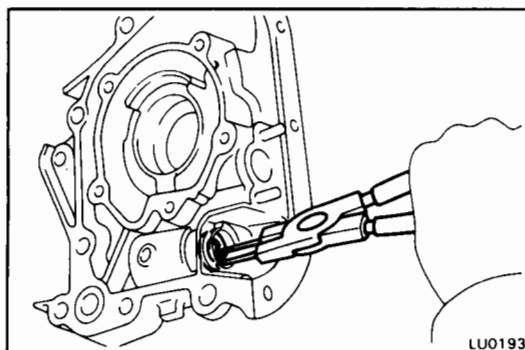
## ASSEMBLY OF OIL PUMP

(See page LU-5)

### 1. INSTALL RELIEF VALVE

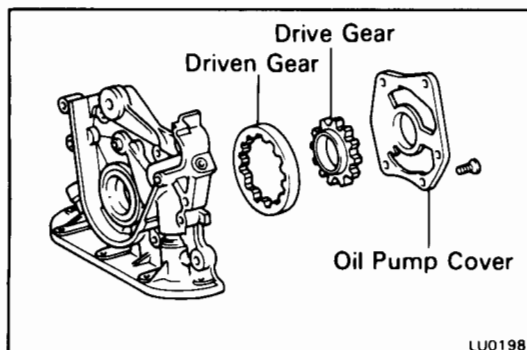
(a) Insert the relief valve, spring and retainer into the pump body hole.

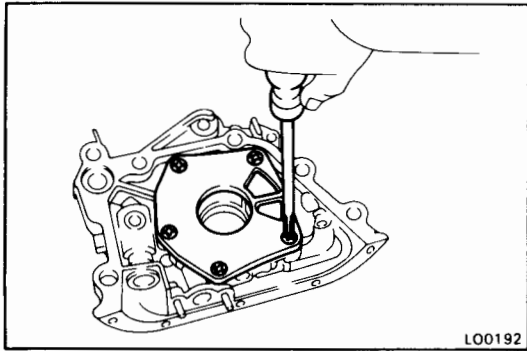
(b) Using snap ring pliers, install the snap ring.



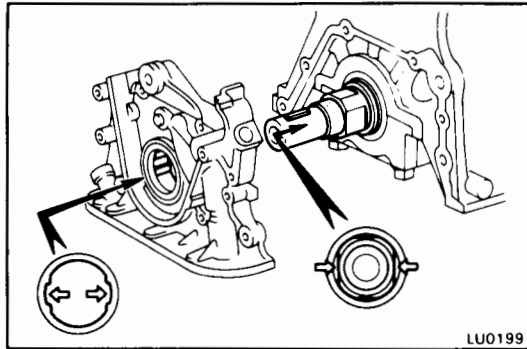
### 2. INSTALL DRIVE AND DRIVEN GEARS

(a) Insert the drive and driven gears into the pump body.





- (b) Install the pump body cover with the five screws.  
**Torque: 105 kg-cm (8 ft-lb, 10 N·m)**

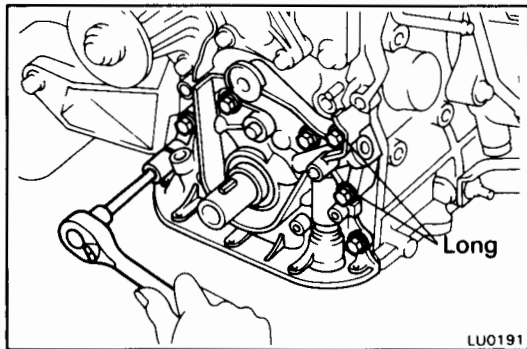


## INSTALLATION OF OIL PUMP

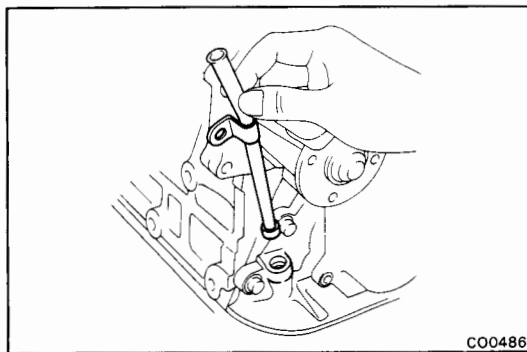
(See page LU-5)

### 1. INSTALL OIL PUMP

- (a) Install a new gasket to cylinder block.  
 (b) Install the oil pump to the crankshaft with the spline teeth of the drive gear engaged with the large teeth of the crankshaft.



- (c) Install and torque the seven bolts.  
**Torque: 218 kg-cm (16 ft-lb, 21 N·m)**

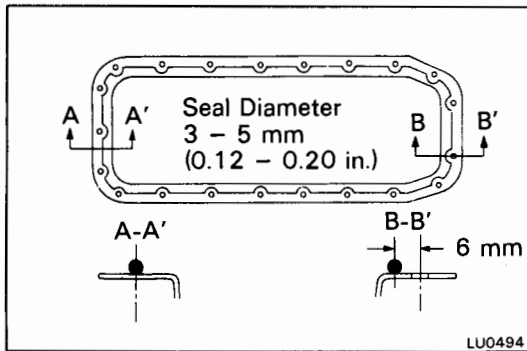


### 2. INSTALL OIL DIPSTICK GUIDE AND DIPSTICK

- (a) Lightly coat a new O-ring with engine oil.  
 (b) Install the new O-ring to the oil dipstick guide.  
 (c) Push in the oil dipstick guide and install the mount bolt.  
 (d) Insert the oil dipstick.

### 3. INSTALL OIL PAN Baffle PLATE

- (a) Remove any old packing (FIG) material and be careful not to drop any oil on the contact surfaces of the oil pan and cylinder block.
- Using a razor blade and gasket scraper, remove all the old packing (FIG) material from the gasket surfaces and sealing groove.
  - Thoroughly clean all components to remove all the loose material.



- Using a non-residue solvent, clean both sealing surfaces.

**CAUTION:** Do not use a solvent which will affect the painted surfaces.

- (b) Apply seal packing to the baffle plate as shown in the figure.

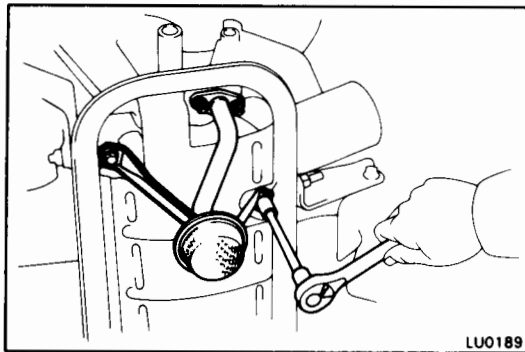
**Seal packing:** Part No.08826-00080 or equivalent

- Install a nozzle that has been cut to a 5 mm (0.20 in.) opening.

**NOTE:** Avoid applying an excess amount to the surface. Be particularly careful near oil passages.

- Parts must be assembled within 3 minutes of application. Otherwise the material must be removed and reapplied.
- Immediately remove nozzle from the tube, and reinstall cap.

- (c) Install the baffle plate.



## 5. INSTALL OIL STRAINER

Install a new gasket and the oil strainer with the two bolts and two nuts.

**Torque:** 95 kg-cm (82 in.-lb, 9.3 N·m)

## 6. INSTALL OIL PAN

- (a) Remove any old packing (FIPG) material and be careful not to drop any oil on the contact surfaces of the oil pan and baffle plate.

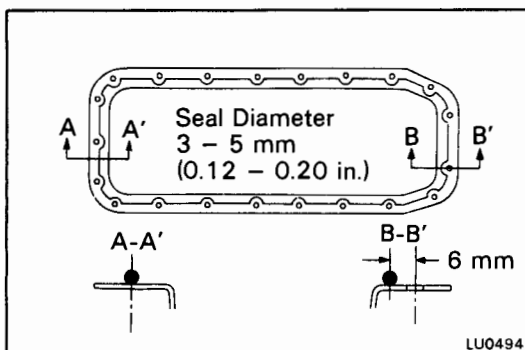
- Using a razor blade and gasket scraper, remove all the old packing (FIPG) material from the gasket surfaces and sealing groove.
- Thoroughly clean all components to remove all the loose material.
- Using a non-residue solvent, clean both sealing surfaces.

**CAUTION:** Do not use a solvent which will affect the painted surfaces.

- (b) Apply seal packing to the oil pan as shown in the figure.

**Seal packing:** Part No.08826-00080 or equivalent

- Install a nozzle that has been cut to a 5 mm (0.20 in.) opening.



NOTE: Avoid applying an excess amount to the surface. Be particularly careful near oil passages.

- Parts must be assembled within 3 minutes of application. Otherwise the material must be removed and reapplied.

- Immediately remove nozzle from the tube, and reinstall cap.

- (c) Install the oil pan with the nineteen bolts and two nuts.

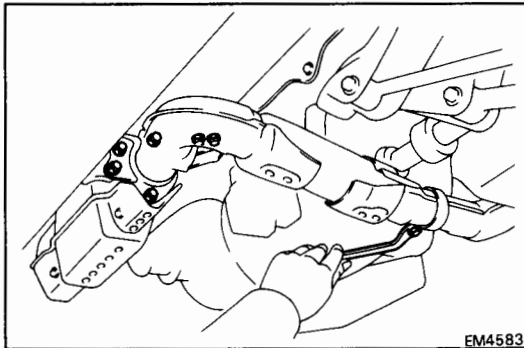
**Torque: 50 kg-cm (43 in.-lb, 4.9 N·m)**

**7. SUPPORT ENGINE AT OIL PAN**

**8. REMOVE RH ENGINE MOUNTING**

**9. INSTALL CRANKSHAFT TIMING PULLEY, IDLER PULLEY AND TIMING BELT**  
(See steps 10 to 24 on pages EM-22 to 25)

**10. (w/ Oil cooler)  
CONNECT OIL COOLER HOSE**

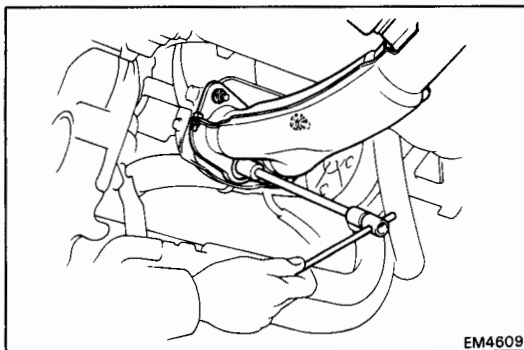


**11. INSTALL FRONT EXHAUST PIPE**

- (a) Install a new gasket and the exhaust pipe with the four bolts and two nuts.

**Torque:**

**Pipe to Catalytic converter  
440 kg-cm (32 ft-lb, 43 N·m)**



- (b) Install two new gaskets and the exhaust pipe with three new nuts to the exhaust manifold. Torque the nuts.

**Torque: 630 kg-cm (46 ft-lb, 62 N·m)**

- (c) Connect the oxygen sensor connector.

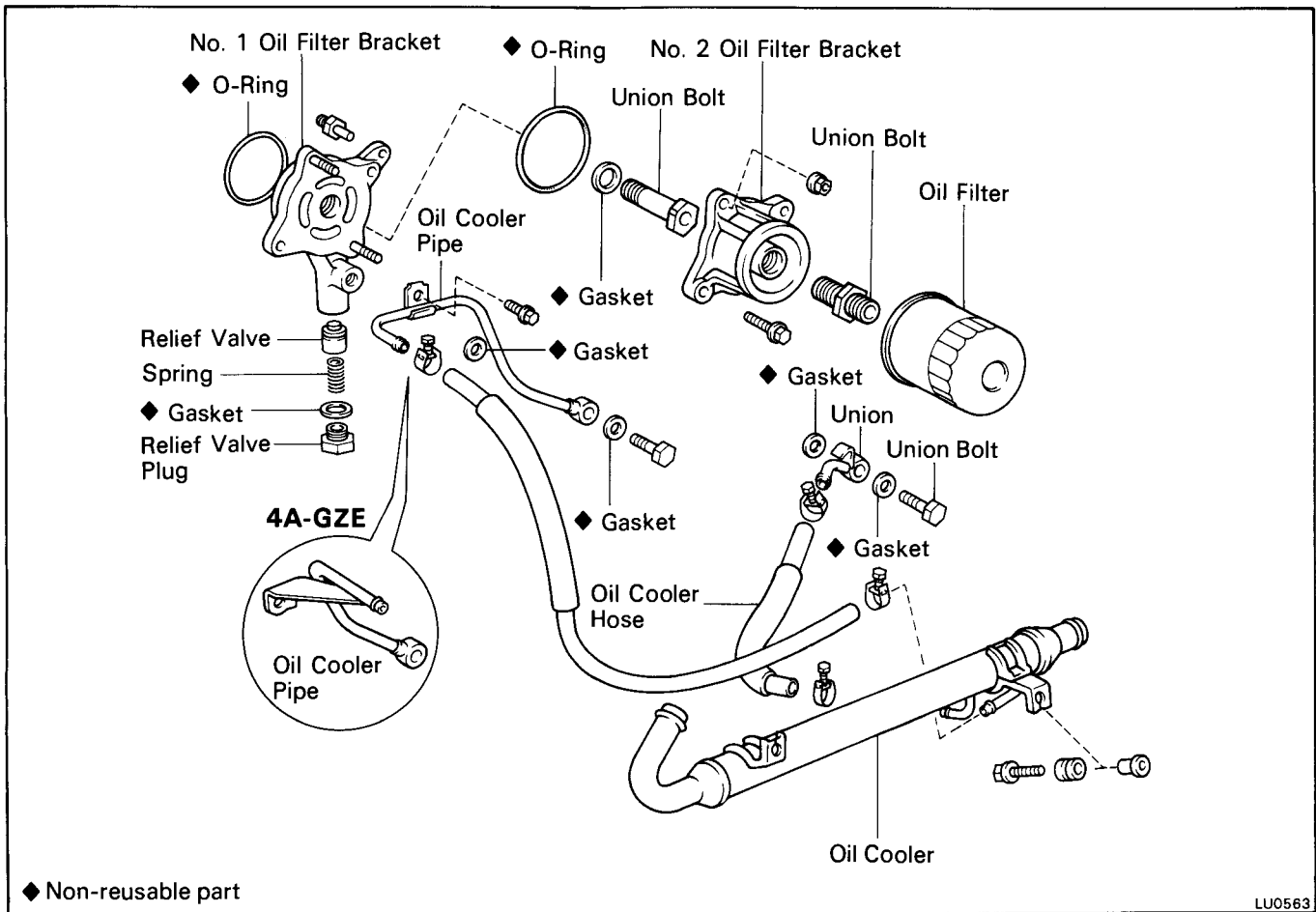
**12. LOWER VEHICLE**

**13. FILL WITH ENGINE OIL (See page LU-4)**

**14. START ENGINE AND CHECK FOR LEAKS**

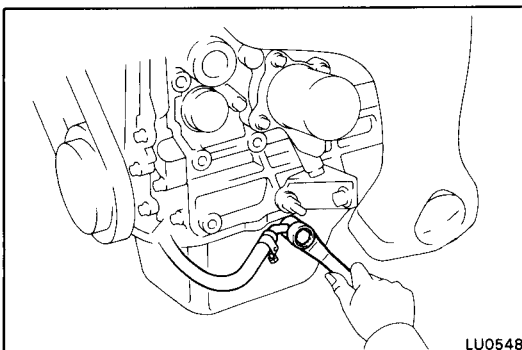
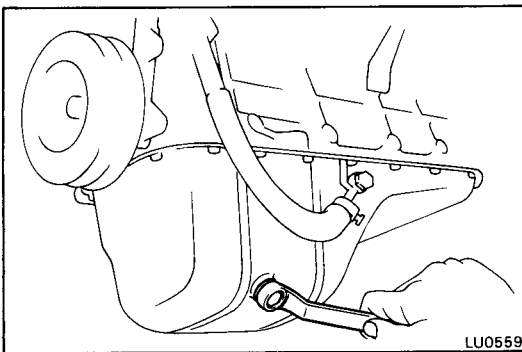
**15. RECHECK ENGINE OIL LEVEL (See page LU-3)**

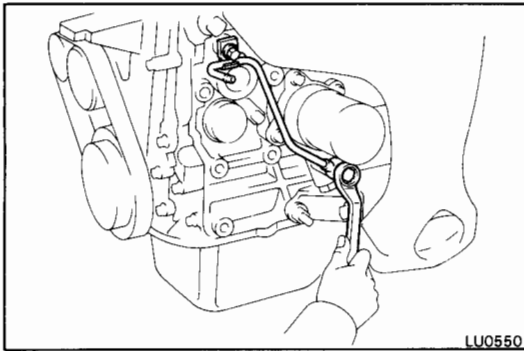
# OIL COOLER AND PRESSURE REGULATOR COMPONENTS



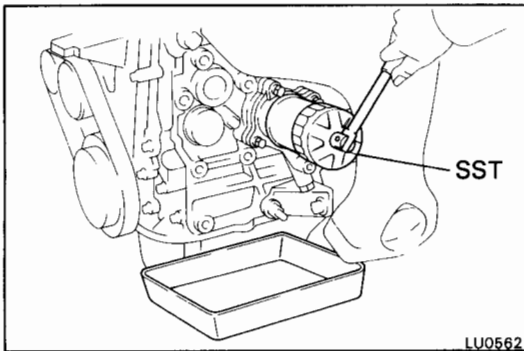
## REMOVAL AND DISASSEMBLY OF PRESSURE REGULATOR (RELIEF VALVE)

1. DRAIN ENGINE OIL (See page LU-5)
2. DRAIN ENGINE COOLANT (See page CO-3)
3. DISCONNECT OIL COOLER PIPES
  - (a) Remove the union bolt, two gaskets oil cooler pipe.



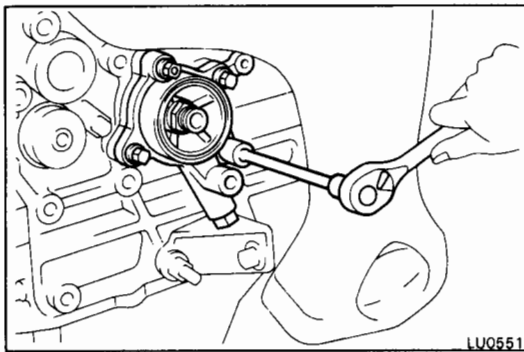


- (b) Remove the bolt, union bolt, cooler pipe and two gaskets.



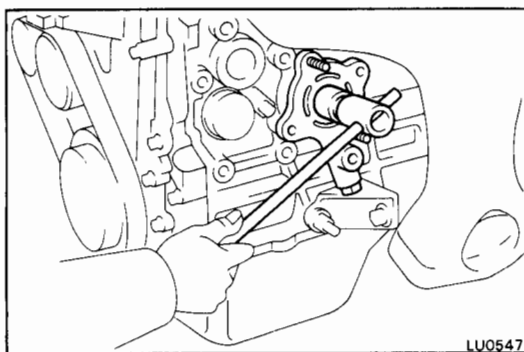
#### 4. REMOVE OIL FILTER

Using SST, remove the oil filter.  
SSt 09228-06500



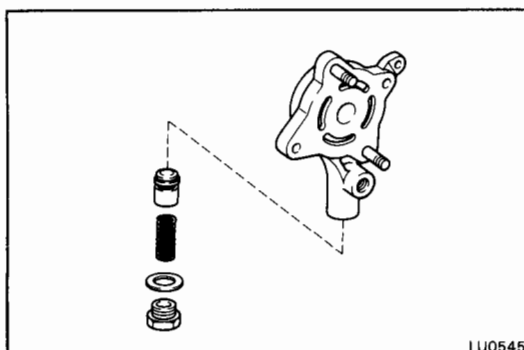
#### 5. REMOVE NO.2 OIL FILTER BRACKET

Remove the two bolts, two nuts, No.2 oil filter bracket and O-ring.



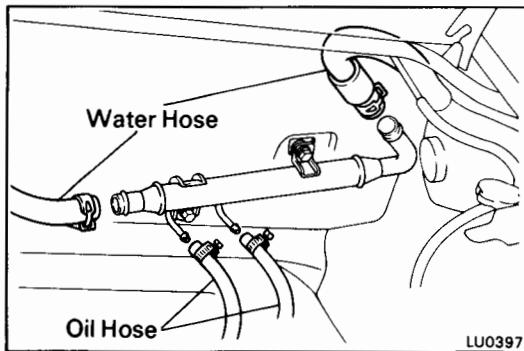
#### 6. REMOVE NO.1 OIL FILTER BRACKET

Remove the union bolt, gasket, gasket, No.1 oil filter bracket and O-ring.

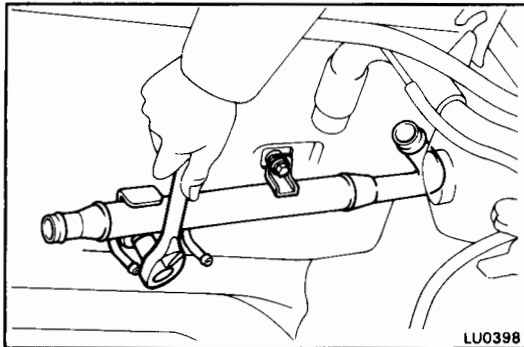


#### 7. REMOVE RELIEF VALVE

Remove the plug, gasket, spring and relief valve.

**8. REMOVE OIL COOLER**

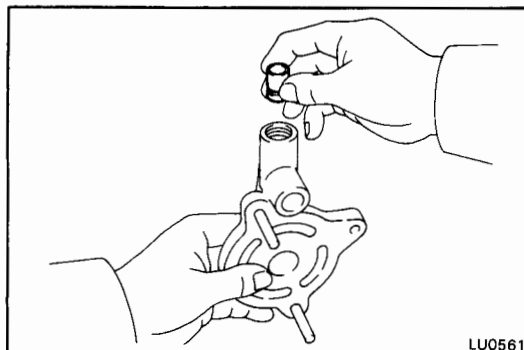
- (a) Remove the clamps and disconnect the two water hoses and two oil cooler hoses.



- (b) Remove the two bolts, insulator and oil cooler.

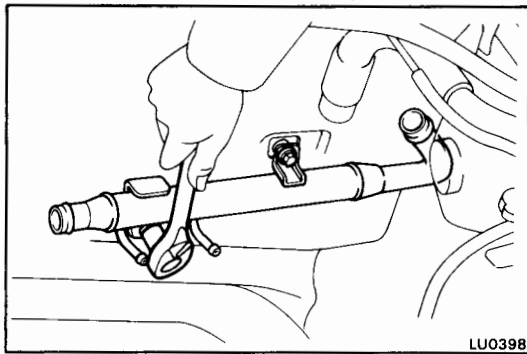
**INSPECTION OF OIL COOLER AND PRESSURE REGULATOR (RELIEF VALVE)****1. INSPECT OIL COOLER**

Check the oil cooler for damage or clogging.

**2. INSPECT RELIEF VALVE**

Coat the relief valve with engine oil, and check that it falls smoothly into the valve hole by its own weight.

If it is not, replace the relief valve. If necessary, replace the No.1 oil filter bracket.

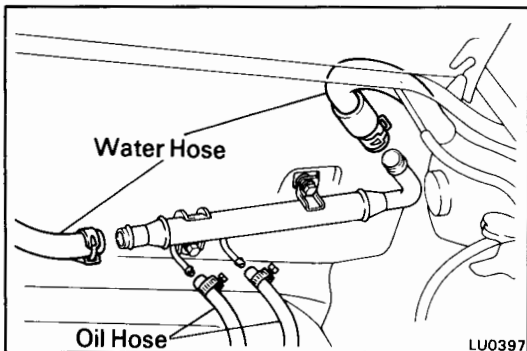


## ASSEMBLY OF AND INSTALLATION OF PRESSURE REGULATOR (RELIEF VALVE)

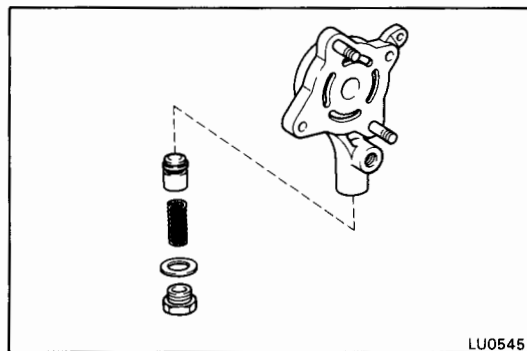
(See page LU-13)

### 1. INSTALL OIL COOLER

(a) Install the oil cooler with the two insulators and bolts.



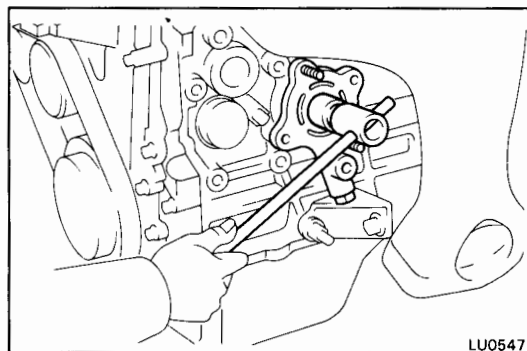
(b) Connect the two oil hoses and water hoses, and install the clamps.



### 2. INSTALL RELIEF VALVE

Insert the relief valve, spring, a new gasket and screw on the relief valve plug. Torque the plug.

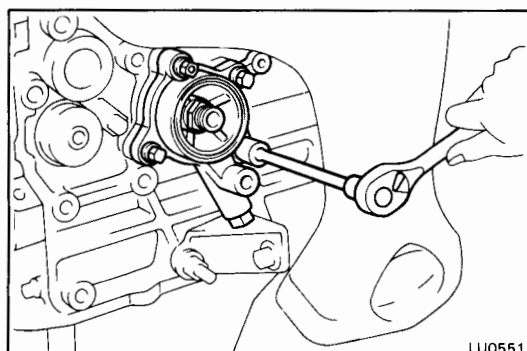
**Torque: 375 kg-cm (27 ft-lb, 37 N·m)**



### 3. INSTALL NO.1 OIL FILTER BRACKET

Install a new O-ring and the No.1 oil filter bracket with a new gasket and the union bolt. Torque the union bolt.

**Torque: 450 kg-cm (33 ft-lb, 44 N·m)**



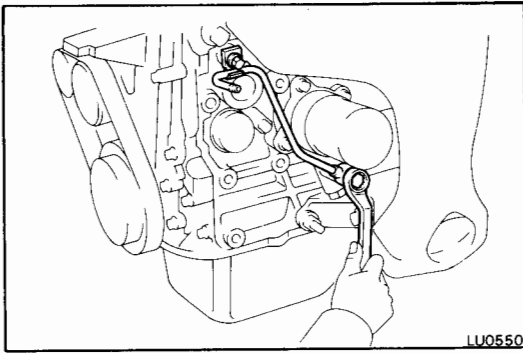
### 4. INSTALL NO.2 OIL FILTER BRACKET

Install a new O-ring and the No.2 oil filter bracket with the two bolts and two nuts.

**Torque: 200 kg-cm (14 ft-lb, 20 N·m)**

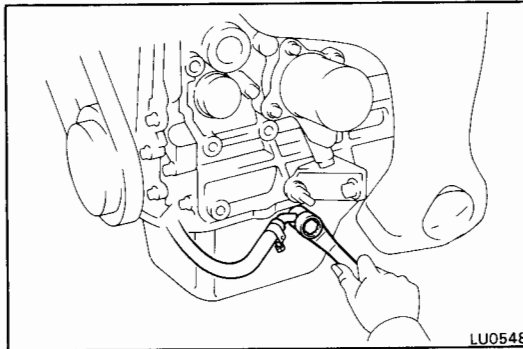
### 5. INSTALL OIL FILTER (See page LU-4)



**6. CONNECT OIL COOLER PIPES**

- (a) Install the cooler pipe with the bolt, new two gaskets and the union bolt. Torque the union bolt.

**Torque: 300 kg-cm (22 ft-lb, 29 N·m)**



- (b) Install the cooler pipe , two new gaskets and union bolt. Torque the union bolt.

**Torque: 250 kg-cm (18 ft-lb, 25 N·m)**

**7. REFILL WITH ENGINE COOLANT**

(See page CO-4)

**8. REFILL WITH ENGINE OIL**

(See step 3 on page LU-4)

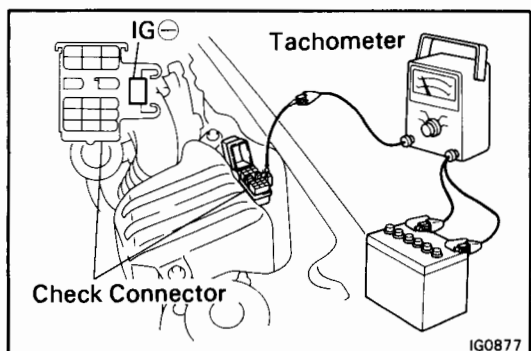
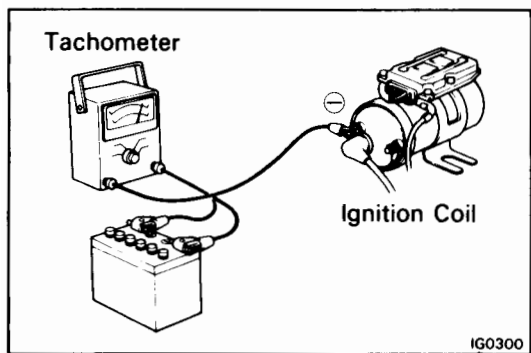
**9. START ENGINE AND CHECK FOR LEAKS****10. RECHECK ENGINE OIL LEVEL**

Recheck the engine oil level and refill as necessary.

---

# IGNITION SYSTEM

	<b>Page</b>
<b>PRECAUTIONS</b> .....	<b>IG-2</b>
<b>TROUBLESHOOTING</b> .....	<b>IG-2</b>
<b>ELECTRONIC SPARK ADVANCE (ESA)</b> .....	<b>IG-3</b>
<b>ON-VEHICLE INSPECTION</b> .....	<b>IG-4</b>
<b>DISTRIBUTOR</b> .....	<b>IG-9</b>



## PRECAUTIONS

1. Do not keep the ignition switch on for more than 10 minutes if the engine will not start.
2. There are two methods of connecting the tachometer:
  - To the ignition coil —  
Connect the positive (+) terminal to the ignition coil negative (-) terminal.
  - To the check connector —  
Connect the tachometer test probe to the check connector terminal IG ⊖.
3. As some tachometers are not compatible with this ignition system, we recommended that you confirm the compatibility of your unit before using.
4. NEVER allow the ignition coil terminals to touch ground as it could result in damage to the igniter and/or ignition coil.
5. Do not disconnect the battery when the engine is running.
6. Make sure that the igniter is properly grounded to the body.

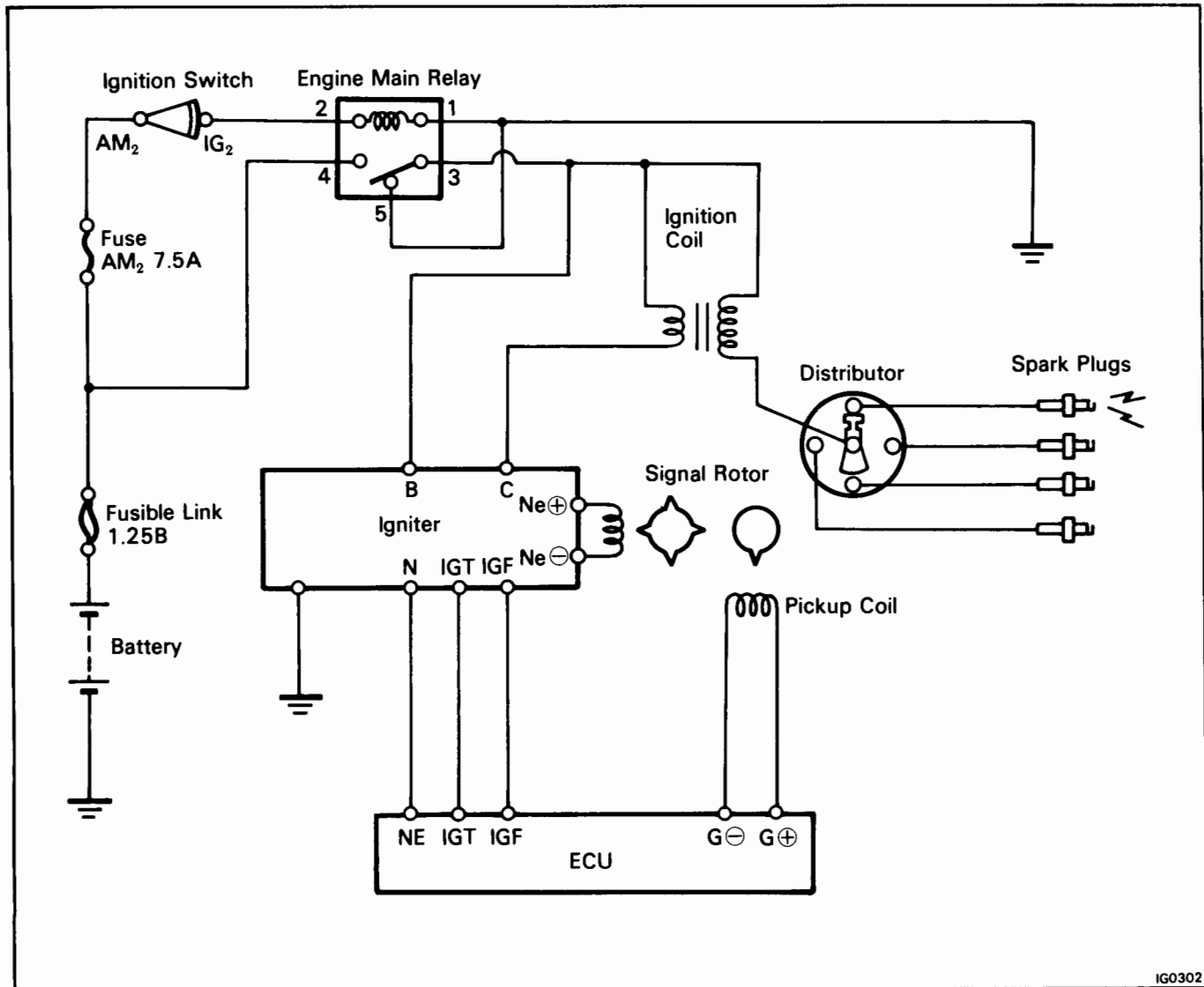
## TROUBLESHOOTING

Problem	Possible cause	Remedy	Page
Engine will not start/ hard to start (cranks ok)	Incorrect ignition timing Ignition coil faulty Igniter faulty Distributor High tension cord faulty Spark plugs faulty Ignition wiring disconnected or broken	Reset timing Inspect coil Inspect igniter Inspect distributor Inspect high-tension cords Inspect plugs Inspect wiring	IG-10 IG-7 IG-4 IG-7 IG-5 IG-5
Rough idle or stalls	Spark plugs faulty Ignition wiring faulty Incorrect ignition timing Ignition coil faulty Igniter faulty Distributor High tension cord faulty	Inspect plugs Inspect wiring Reset timing Inspect coil Inspect igniter Inspect distributor Inspect high-tension cords	IG-5 IG-10 IG-7 IG-4 IG-7 IG-5
Engine hesitates/ poor acceleration	Spark plugs faulty Ignition wiring faulty Incorrect ignition timing	Inspect plugs Inspect wiring Reset timing	IG-5 IG-10
Engine dieseling (runs after ignition switch is turned off)	Incorrect ignition timing	Reset timing	IG-10
Muffler explosion (after fire) all the time	Incorrect ignition timing	Reset timing	IG-10
Engine backfires	Incorrect ignition timing	Reset timing	IG-10
Poor fuel economy	Spark plugs faulty Incorrect ignition timing	Inspect plugs Reset timing	IG-5 IG-10
Engine overheats	Incorrect ignition timing	Reset timing	IG-10

## ELECTRONIC SPARK ADVANCE (ESA)

The ECU is programmed with data for optimum ignition timing under any and all operating conditions. Using data provided by sensors which monitor various engine functions (rpm, intake air volume, engine temperature, etc.) the microcomputer (ECU) triggers the spark at precisely the right instant.

ESA SYSTEM CIRCUIT



# ON-VEHICLE INSPECTION

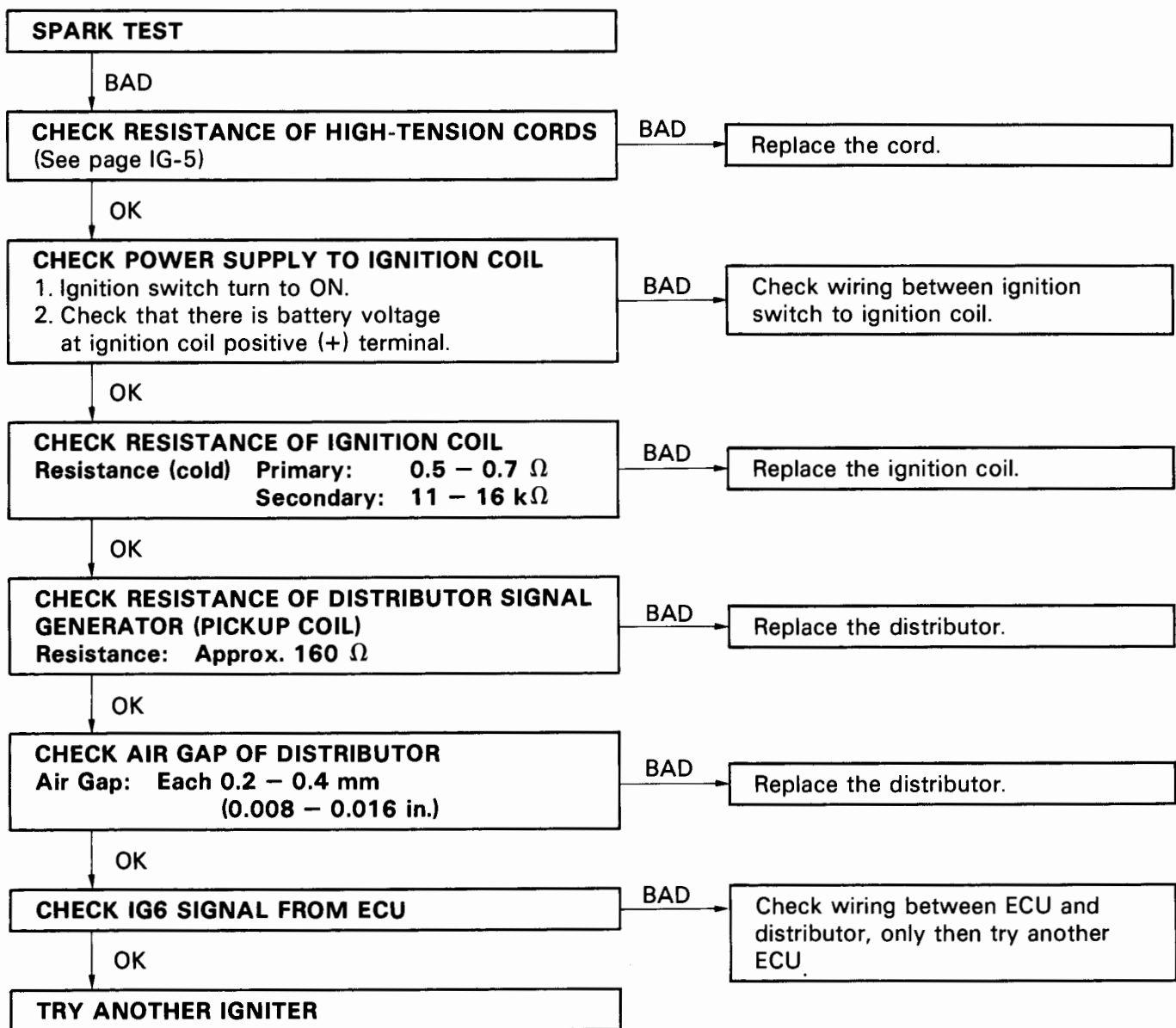
## SPARK TEST

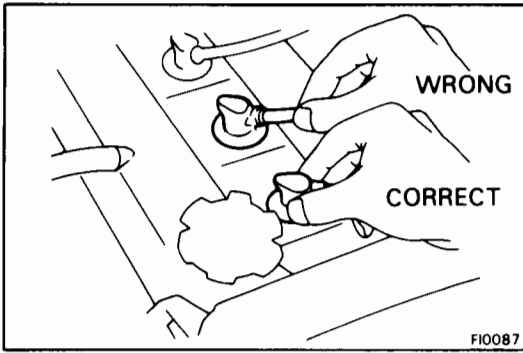
### CHECK THAT SPARK OCCURS

- (a) Disconnect high-tension cords from the distributor.
- (b) Hold the end about 12.7 mm (0.500 in.) from body of car.
- (c) See if spark occurs while engine is being cranked.

NOTE: To prevent gasoline from being injected from injectors during this test, crank the engine for no more than 1-2 seconds at a time.

If the spark does not occur, perform the test as follows.

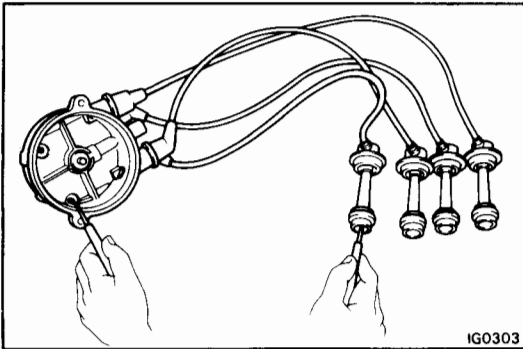




### INSPECTION OF HIGH-TENSION CORD

- CAREFULLY REMOVE HIGH-TENSION CORDS BY THEIR RUBBER BOOTS**

**CAUTION:** DO NOT pull on the cords or bend the wires. The conductor inside may be damaged.



- INSPECT RESISTANCE OF HIGH-TENSION CORD AND DISTRIBUTOR CAP**

Using an ohmmeter, check that the resistance does not exceed the maximum.

**Maximum resistance: 25 kΩ/cord**

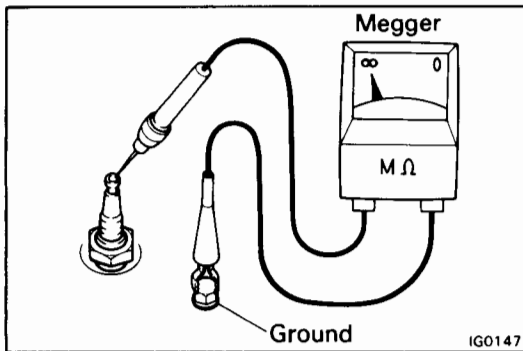
If more than maximum, check the terminals, and replace the high-tension cord and/or distributor cap as required.

### INSPECTION OF SPARK PLUG

**(Platinum Tipped Spark Plug)**

**CAUTION:**

- Never use a wire brush for cleaning
- Never attempt to adjust gap on used plug
- Spark plugs should be replaced every 60,000 miles (100,000 km)

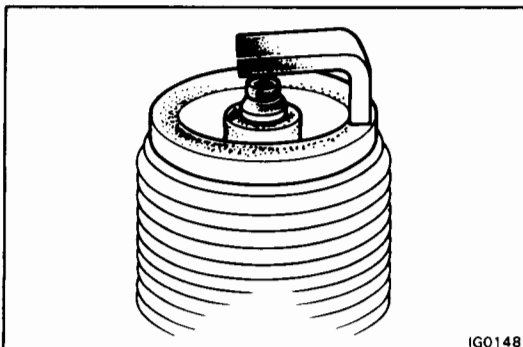


- INSPECT ELECTRODE**

(a) If using a megger (insulation resistance meter): Measure the insulation resistance.

**Correct insulation resistance: More than 10 MΩ**

If less than 10 MΩ, proceed to step 2.

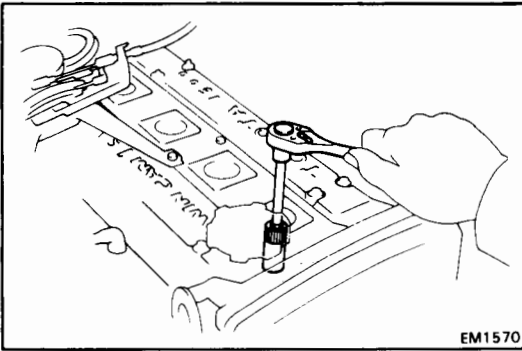


(b) If not using a megger:

Quickly race the engine to 4,000 rpm five times. Visually inspect the spark plugs.

If the electrode is dry ..... Okay

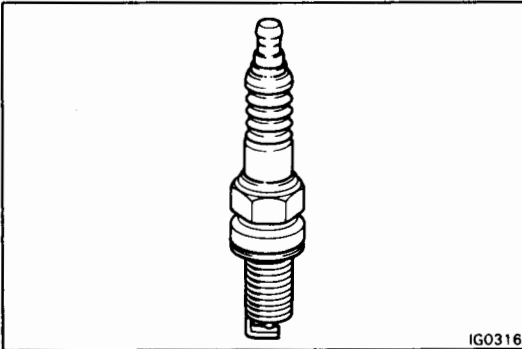
If the electrode is wet ..... Proceed to step 2.



EM1570

## 2. REMOVE SPARK PLUGS

Using a plug wrench (16 mm), remove the spark plugs.



IG0316

## 3. VISUALLY INSPECT SPARK PLUGS

Inspect the spark plugs for thread or insulator damage. If defective, replace the plug.

**Recommended spark plugs:**

**4A-GE**

ND PQ16R

NGK BCPR5EP11

**4A-GZE**

ND PQ20R

NGK BCPR6EP11

## 4. INSPECT ELECTRODE GAP

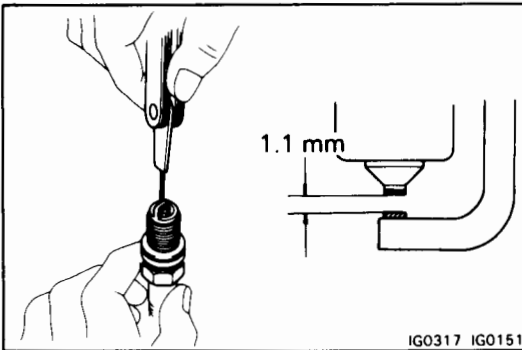
**Maximum limit: 1.3 mm (0.051 in.)**

If not, replace the plug.

**Correct electrode gap of new plug:**

**1.1 mm (0.043 in.)**

If adjusting the gap of a new plug, bend only the base of the ground electrode, do not touch the tip.



IG0317 IG0151

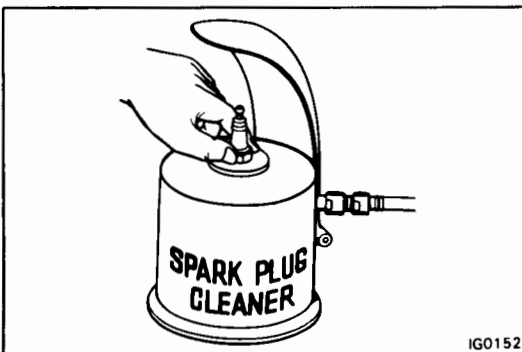
## 5. CLEAN SPARK PLUGS

If the electrode has traces of wet carbon, allow it to dry and then clean with a spark plug cleaner.

**Air pressure: Below 6 kg/cm<sup>2</sup> (85 psi, 588 kPa)**

**Duration: 20 seconds or less**

**NOTE:** If there are traces of oil, remove with gasoline before using the spark plug cleaner.

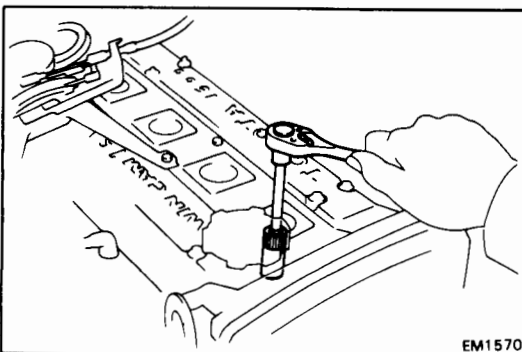


IG0152

## 6. INSTALL SPARK PLUGS

Using a plug wrench (16 mm), install and torque the spark plugs.

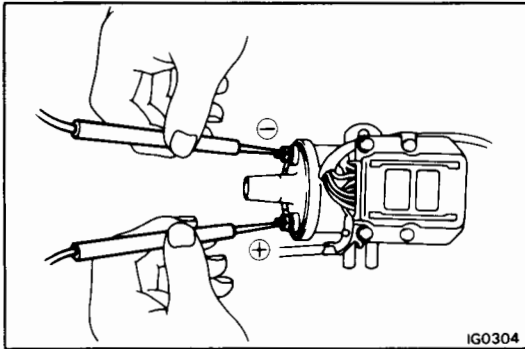
**Torque: 180 kg-cm (13 ft-lb, 18 N·m)**



EM1570

## INSPECTION OF IGNITION COIL

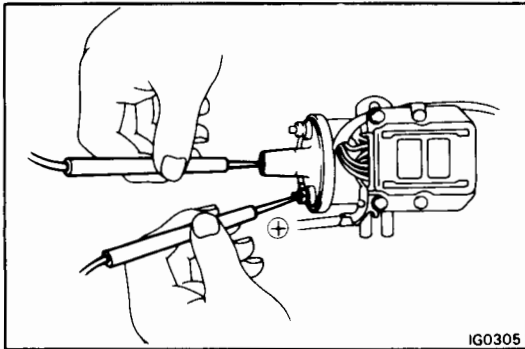
1. DISCONNECT HIGH-TENSION CORDS FROM IGNITION COIL



2. INSPECT PRIMARY COIL RESISTANCE

Using an ohmmeter, measure the resistance between the positive (+) and negative (-) terminals.

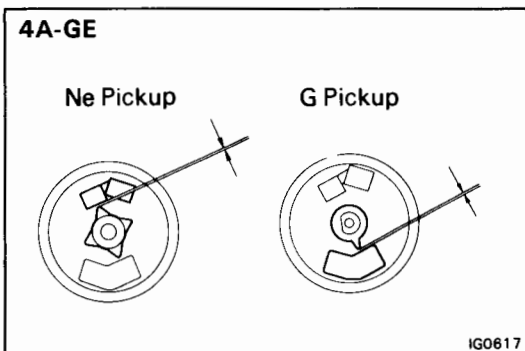
**Primary coil resistance (cold): 0.5 – 0.7  $\Omega$**



3. INSPECT SECONDARY COIL RESISTANCE

Using an ohmmeter, measure the resistance between the positive (+) terminal and high-tension terminal.

**Secondary coil resistance (cold): 11 – 16 k $\Omega$**



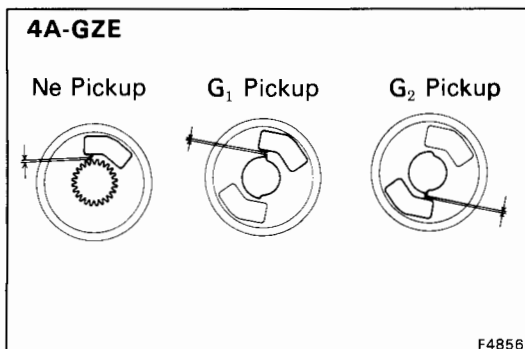
## INSPECTION OF DISTRIBUTOR

1. INSPECT AIR GAPS

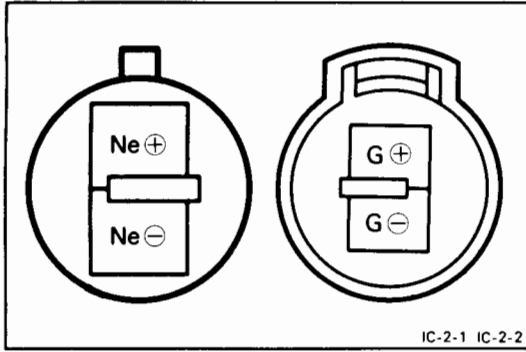
Using a feeler gauge, measure the gap between the signal rotor and pickup coil projection.

**Air gap: 0.2 – 0.4 mm (0.008 – 0.016 in.)**

If the gap is not within specification, replace the distributor.







**2. CHECK SIGNAL GENERATOR**

Using an ohmmeter, check resistance of the two signal generators.

**"G" signal generator resistance (cold):**

**4A-GE**      $G^+ - G^-$      140 – 180  $\Omega$

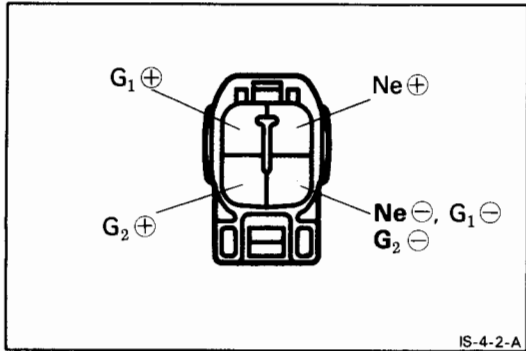
**4A-GZE**      $G_1^+ - G_1^-$      140 – 180  $\Omega$

$G_2^+ - G_2^-$      140 – 180  $\Omega$

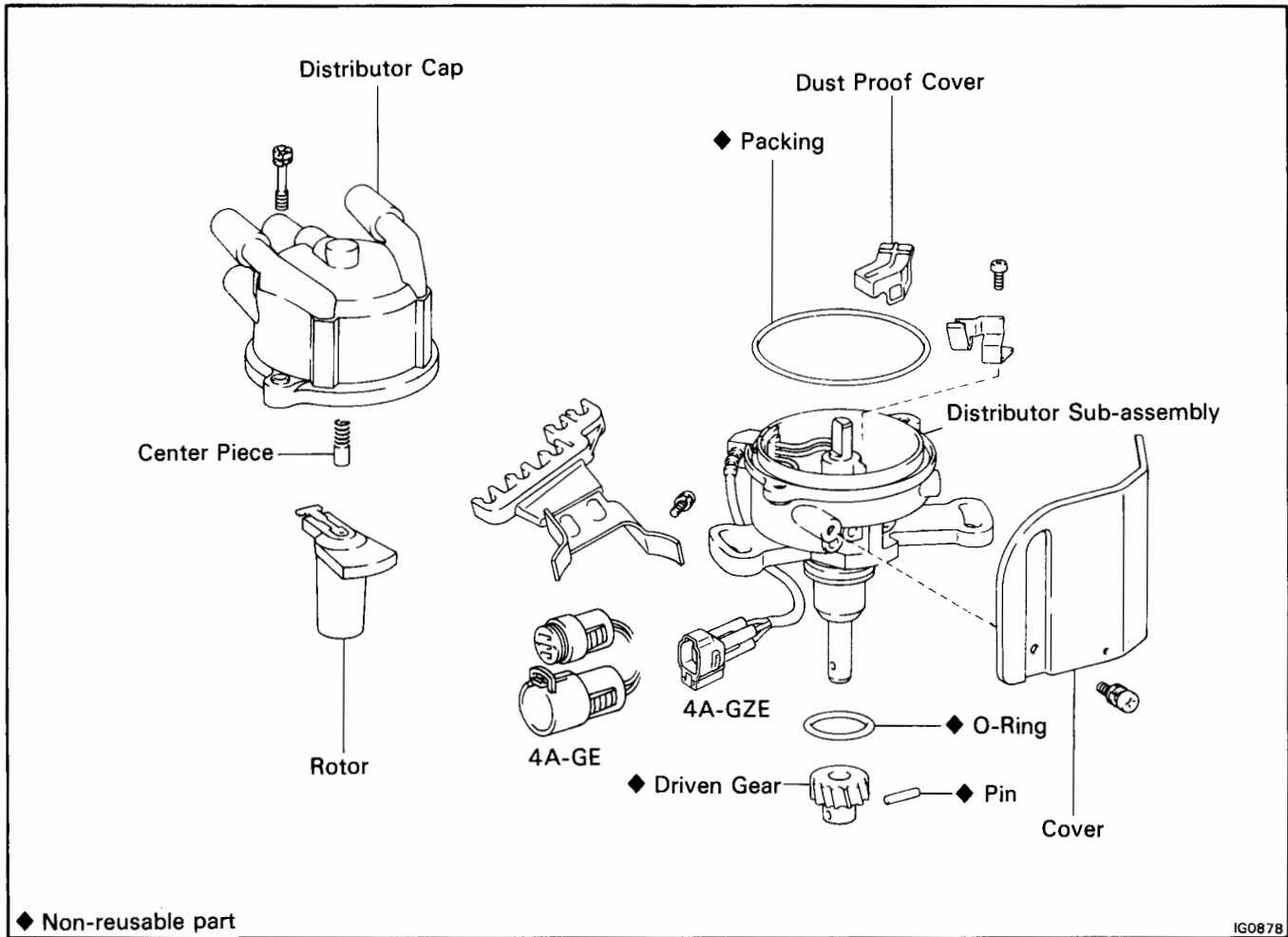
**"Ne" signal generator resistance (cold):**

$Ne^+ - Ne^-$      140 – 180  $\Omega$

If the resistance is not correct, replace the distributor.

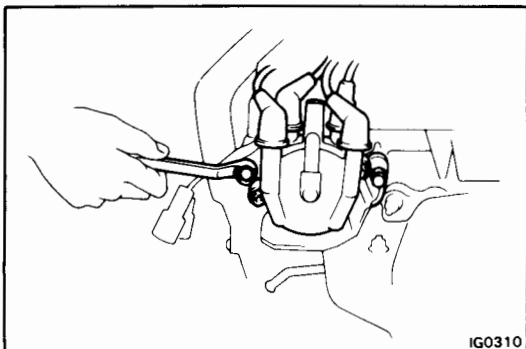


## DISTRIBUTOR COMPONENTS

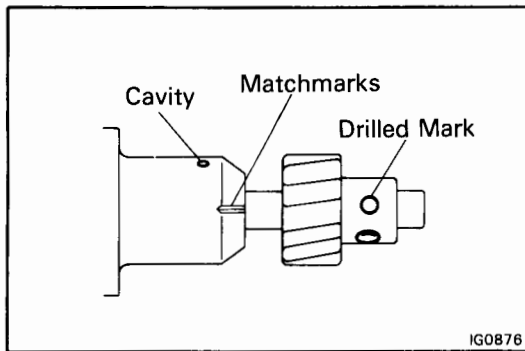


### REMOVAL OF DISTRIBUTOR

1. DISCONNECT HIGH-TENSION CORDS FROM CYLINDER HEAD AND IGNITION COIL
2. DISCONNECT DISTRIBUTOR CONNECTORS



3. REMOVE DISTRIBUTOR SET BOLTS
4. PULL OUT DISTRIBUTOR FROM CYLINDER HEAD
5. REMOVE O-RING



## REPLACEMENT OF DISTRIBUTOR DRIVEN GEAR

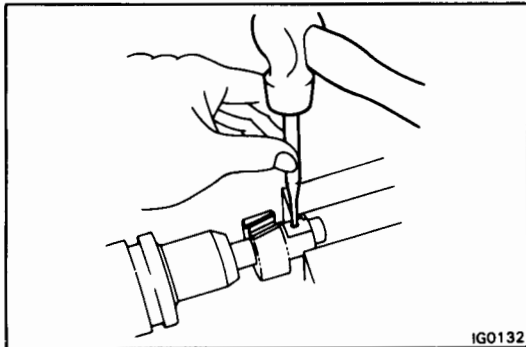
### 1. GRIND DRIVEN GEAR AND PIN

- Align the drilled mark on the driven gear with the cavity of the housing.
- Place matchmarks on the housing and distributor shaft.
- Using a grinding wheel, grind the gear and pin.

**CAUTION:** Be careful not to damage the shaft.

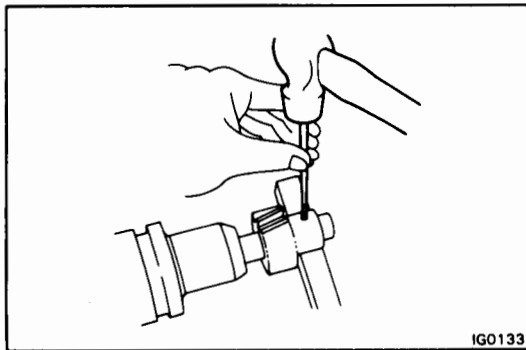
### 2. REMOVE PIN AND DRIVE GEAR

- Using a punch and hammer, drive out the pin.
- Remove the driven gear and discard it.



### 3. INSTALL NEW DRIVE GEAR AND PIN

- Align the matchmarks on the housing and distributor shaft.
- Align the drilled mark on the new driven gear with the cavity of the housing.
- Using a hammer, install a new pin.

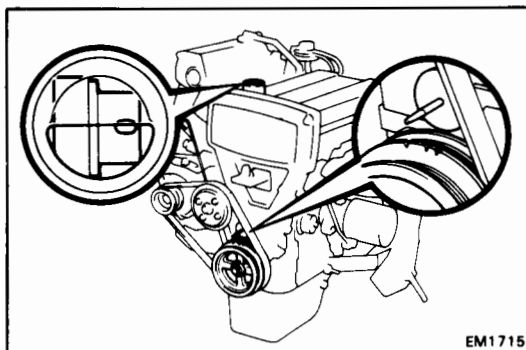


## INSTALLATION OF DISTRIBUTOR

### 1. SET NO. 1 CYLINDER TO TDC/COMPRESSION

- Turn the crankshaft pulley and align its groove with the "O" mark on the No. 1 timing belt cover.
- Remove the oil filler cap and check that you can see the cavity in the camshaft.

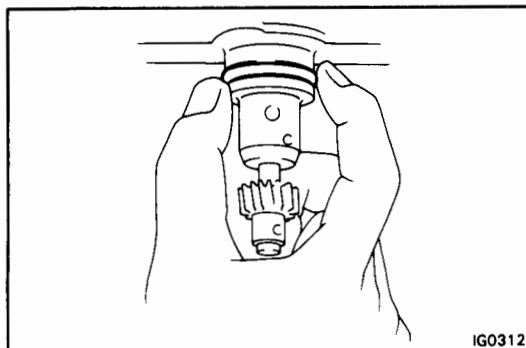
If necessary, turn the crankshaft pulley one complete revolution.

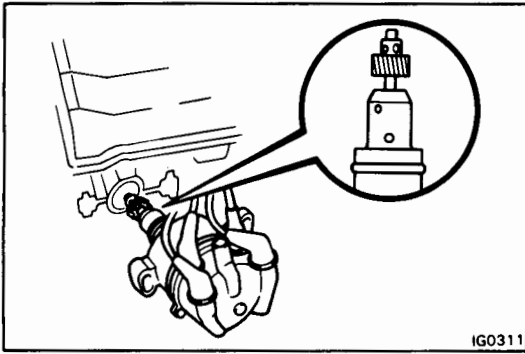


### 2. INSTALL DISTRIBUTOR

- Install a new O-ring to the distributor.

**NOTE:** Always use a new O-ring when installing the distributor.



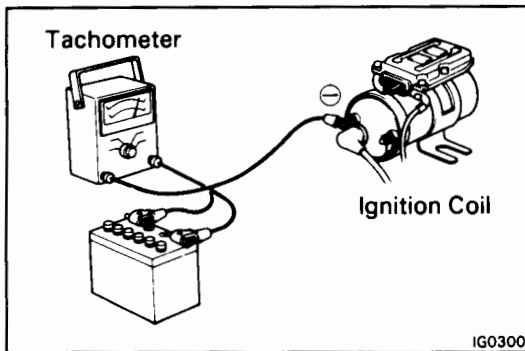


IG0311

- (b) Align the drilled mark on the driven gear with the cavity of the housing.
- (c) Insert the distributor, aligning the center of the flange with that of the bolt hole on the cylinder head.
- (d) Lightly tighten the hold-down bolts.

### 3. CONNECT DISTRIBUTOR CONNECTOR

### 4. CONNECT HIGH-TENSION CORDS TO CYLINDER HEAD AND IGNITION COIL



IG0300

### 5. CONNECT TACHOMETER AND TIMING LIGHT TO ENGINE

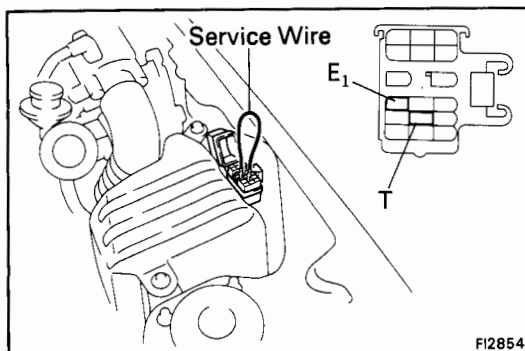
Connect the tachometer (+) terminal to the ignition coil (-) terminal.

#### CAUTION:

- **NEVER** allow the ignition coil terminal to touch ground as it could result in damage to the igniter and/or ignition coil.
- As some tachometers are not compatible with this ignition system, we recommended that you confirm the compatibility of your unit before using.

### 6. WARM UP ENGINE

Allow the engine to reach normal operating temperature.

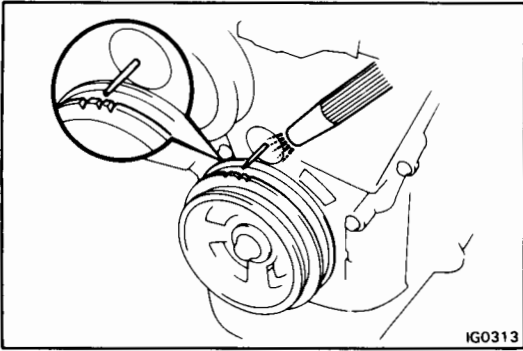


FI2854

### 7. ADJUST IGNITION TIMING

- (a) Short the terminals T and E<sub>1</sub> of the check connector.

NOTE: The service connector is located near the resonator (4A-GE) or intercooler (4A-GZE).



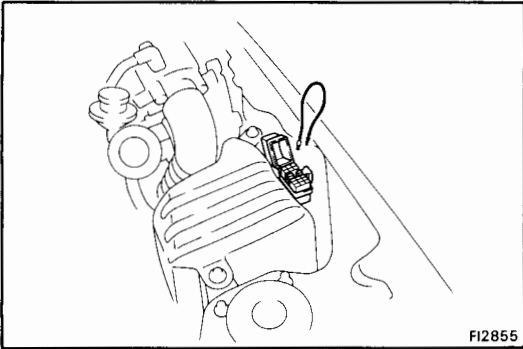
IG0313

(b) Using a timing light, check the ignition timing.

**Ignition timing: 10° BTDC @ Idling**  
**(w/short-circuited T-E<sub>1</sub>,**  
**Transmission in "N" position)**

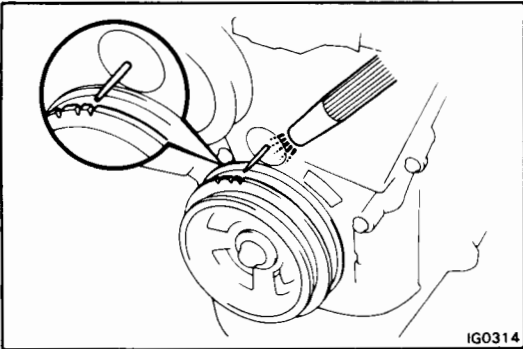
(c) If necessary, loosen the distributor bolt and turn the distributor to align the marks. Recheck the timing after tightening the distributor.

**Torque: 200 kg-cm (14 ft-lb, 20 N·m)**



FI2855

(d) Unshort the check connector.



IG0314

#### 8. FURTHER CHECK IGNITION TIMING

**Ignition timing: (Transmission in "N" position)**

**M/T More than 16° BTDC @ Idling**

**A/T More than 12° BTDC @ Idling**

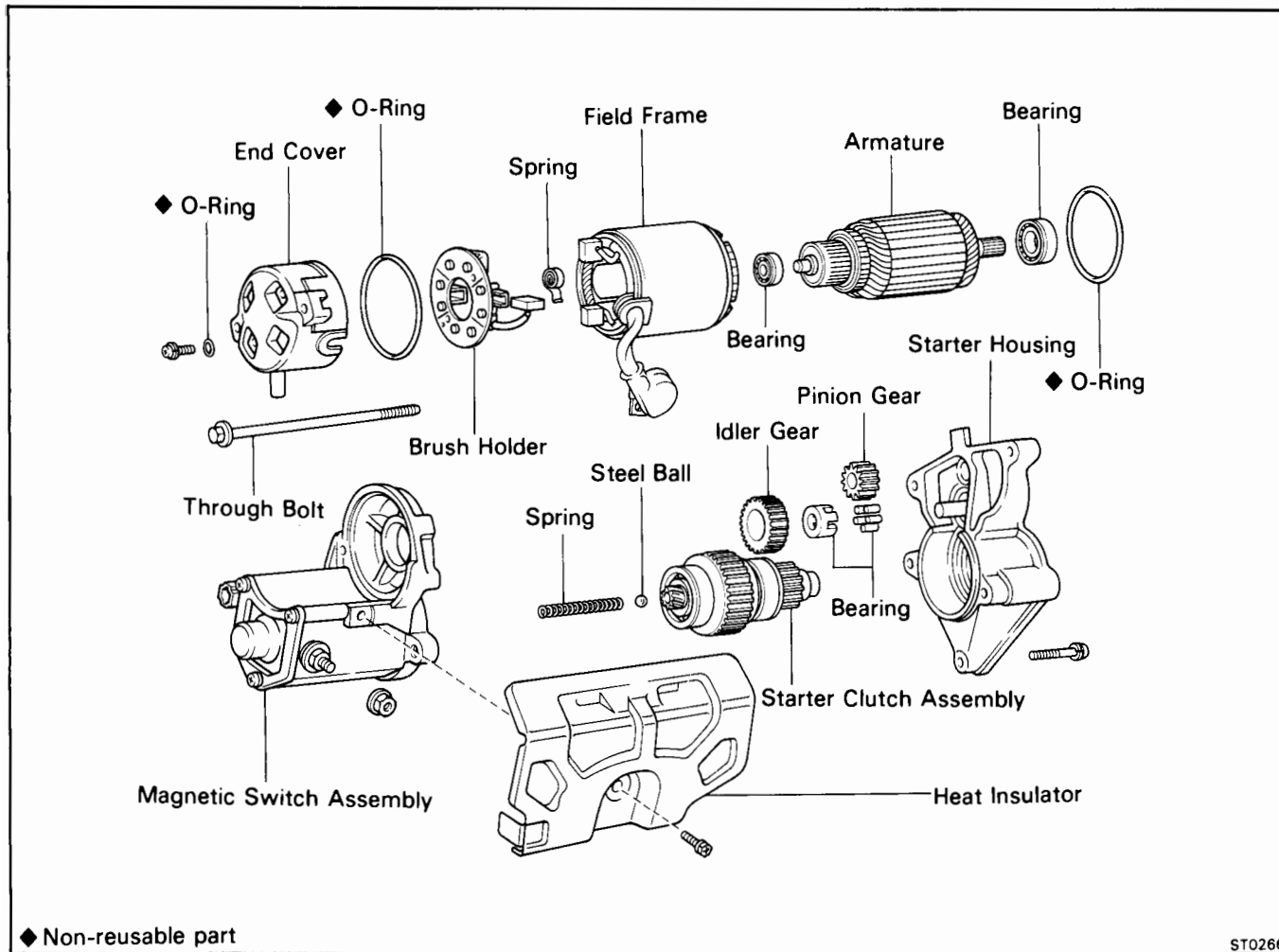
# STARTING SYSTEM

	<b>Page</b>
<b>TROUBLESHOOTING</b> .....	<b>ST-2</b>
<b>STARTER</b> .....	<b>ST-3</b>
<b>CLUTCH STARTER RELAY</b> .....	<b>ST-12</b>
<b>CLUTCH START SWITCH</b> .....	<b>ST-12</b>

## TROUBLESHOOTING

Problem	Possible cause	Remedy	Page
Engine will not crank	Battery charge low	Check battery specific gravity Charge or replace battery	CH-3
	Starter relay faulty	Replace starter relay	
	Battery cables loose, corroded or worn	Repair or replace cables	
	Clutch start switch faulty	Replace switch or adjust switch position	CL-4
	Fusible link blown	Replace fusible link	
	Starter faulty	Repair starter	ST-3
Engine cranks slowly	Battery charge low	Check battery specific gravity Charge or replace battery	CH-3
	Battery cables loose, corroded or worn	Repair or replace cables	
	Starter faulty	Repair starter	ST-3
Starter keeps running	Starter faulty	Repair starter	ST-3
	Ignition switch faulty	Replace ignition switch	
	Short in wiring	Repair wiring	
Starter spins – engine will not crank	Pinion gear teeth broken or faulty starter Flywheel teeth broken	Repair starter Replace flywheel	ST-3

## STARTER COMPONENTS



### REMOVAL OF STARTER

1. **DISCONNECT CABLE FROM NEGATIVE TERMINAL OF BATTERY**

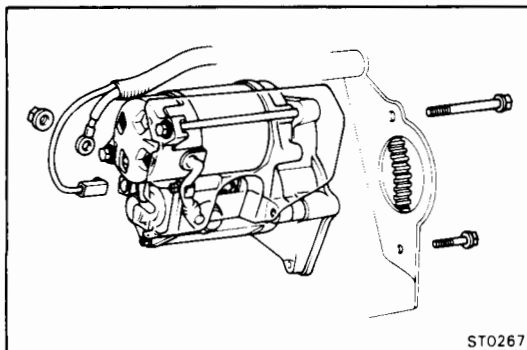
2. **DISCONNECT TWO WIRES FROM STARTER**

Remove the nut and disconnect the battery cable from the magnetic switch on the starter motor. Disconnect the other wire from terminal 50.

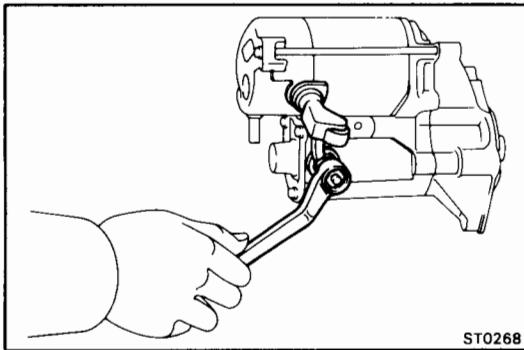
3. **REMOVE STARTER MOTOR**

Remove the two bolts and the starter motor.

4. **REMOVE HEAT INSULATOR**







## DISASSEMBLY OF STARTER

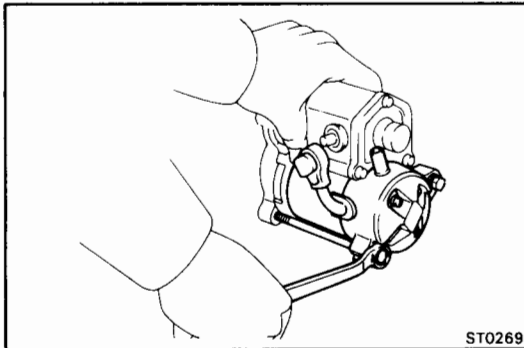
(See page ST-3)

### 1. REMOVE FIELD FRAME WITH ARMATURE FROM MAGNETIC SWITCH ASSEMBLY

(a) Remove the nut and lead wire from the magnetic switch terminal.

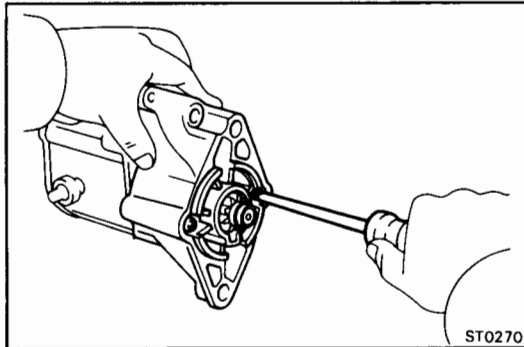
(b) Remove the two through bolts. Pull out the field frame with the armature from the magnetic switch assembly.

(c) Remove the O-ring.

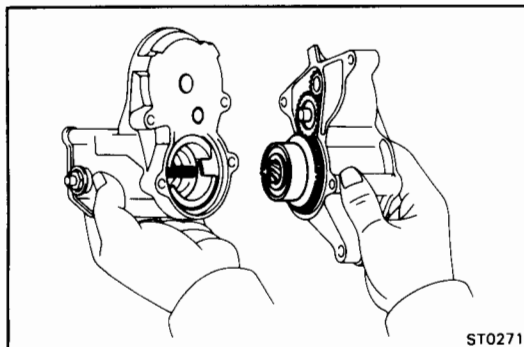


### 2. REMOVE STARTER HOUSING FROM MAGNETIC SWITCH ASSEMBLY

(a) Remove the two screws.



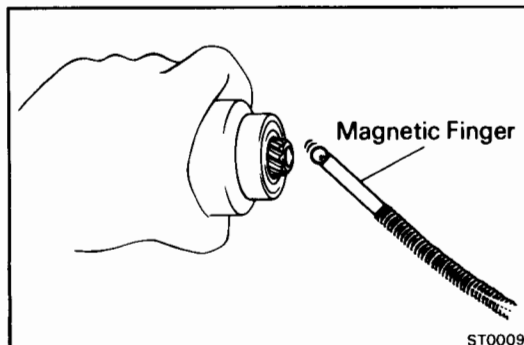
(b) Remove the starter housing with the pinion gear, idler gear and clutch assembly

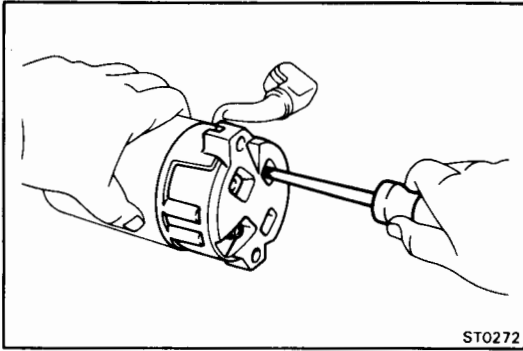


### 3. REMOVE CLUTCH ASSEMBLY AND GEARS FROM STARTER HOUSING

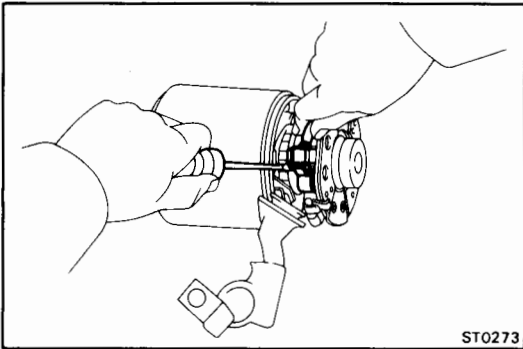
### 4. REMOVE STEEL BALL AND SPRING

Using a magnetic finger, remove the spring and steel ball from the clutch shaft hole.





ST0272



ST0273

## 5. REMOVE BRUSHES AND BRUSH HOLDER

- (a) Remove the two screws and end cover from the field frame.
- (b) Remove the O-ring.

(c) Using a screwdriver or steel wire, separate the brush springs, and remove the brushes from the brush holder.

(d) Pull the brush holder off the field frame.

## 6. REMOVE ARMATURE FROM FIELD FRAME

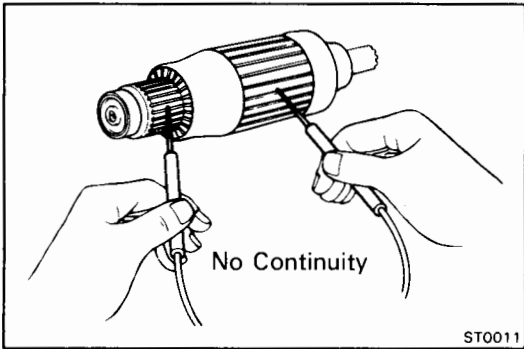
## INSPECTION OF STARTER

### Armature Coil

#### 1. INSPECT THAT COMMUTATOR IS NOT GROUNDED

Using an ohmmeter, check that there is no continuity between the commutator and armature coil core.

If there is continuity, replace the armature.

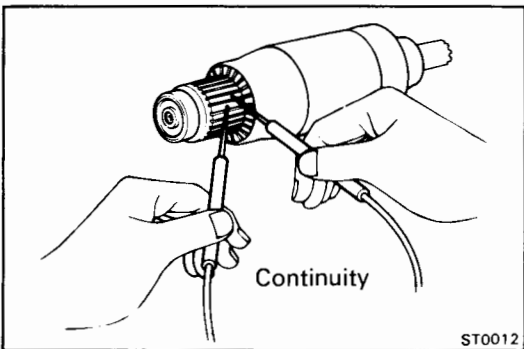


ST0011

#### 2. INSPECT COMMUTATOR FOR OPEN CIRCUIT

Using an ohmmeter, check for continuity between the segments of the commutator.

If there is no continuity between any segment, replace the armature.



ST0012

### Commutator

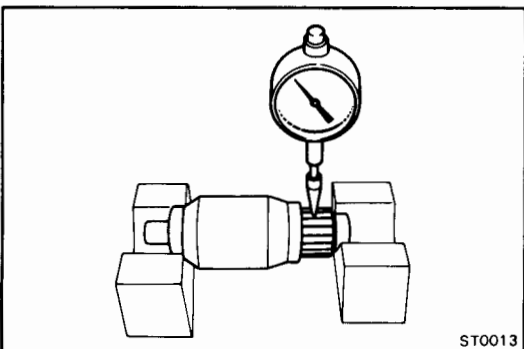
#### 1. INSPECT COMMUTATOR FOR DIRTY AND BURNT SURFACES

If the surface is dirty or burnt, correct with sandpaper (No. 400) or a lathe.

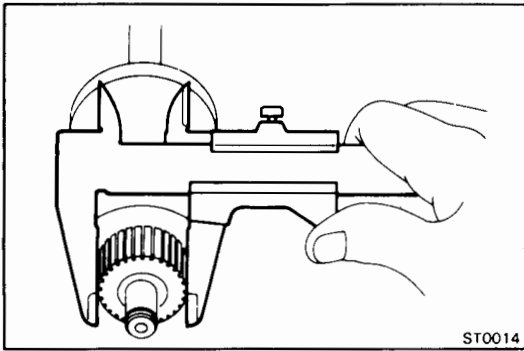
#### 2. INSPECT COMMUTATOR CIRCLE RUNOUT

If the circle runout is greater than the maximum, correct with a lathe.

**Maximum circle runout: 0.05 mm (0.0020 in.)**



ST0013



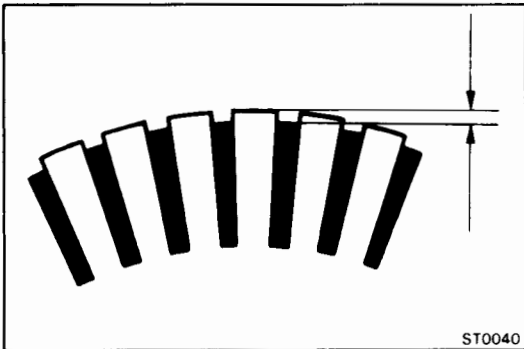
ST0014

### 3. MEASURE DIAMETER OF COMMUTATOR

If the diameter of the commutator is less than the minimum, replace the armature.

**Standard diameter: 30 mm (1.18 in.)**

**Minimum diameter: 29 mm (1.14 in.)**



ST0040

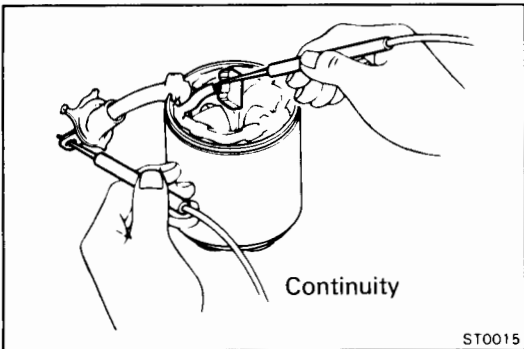
### 4. INSPECT UNDERCUT DEPTH

Check that the undercut depth is clean and free of foreign particles. Smooth out the edge.

If the undercut depth is less than the minimum, correct it with a hacksaw.

**Standard undercut depth: 0.6 mm (0.024 in.)**

**Minimum undercut depth: 0.2 mm (0.008 in.)**



Continuity

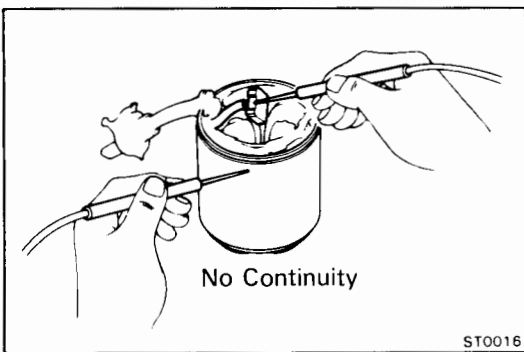
ST0015

## Field Frame (Field Coil)

### 1. INSPECT FIELD COIL FOR OPEN CIRCUIT

Using an ohmmeter, check for continuity between the lead wire and field coil brush lead.

If there is no continuity, replace the field frame.



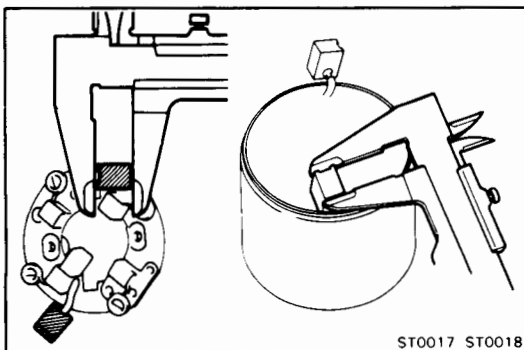
No Continuity

ST0016

### 2. INSPECT THAT FIELD COIL IS NOT GROUNDED

Using an ohmmeter, check for no continuity between the field coil end and field frame.

If there is continuity, replace the field frame.



ST0017 ST0018

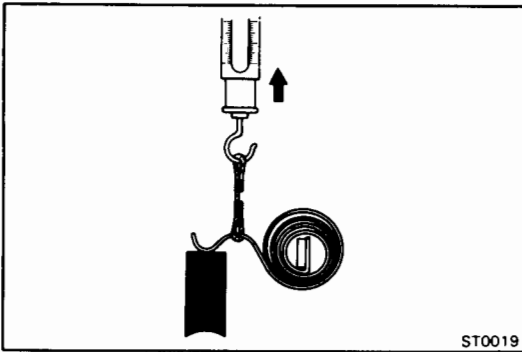
## Brushes

### MEASURE BRUSH LENGTH

If length is less than the minimum, replace the brush and dress with an emery cloth.

**Standard length: 15.5 mm (0.610 in.)**

**Minimum length: 10.0 mm (0.394 in.)**



ST0019

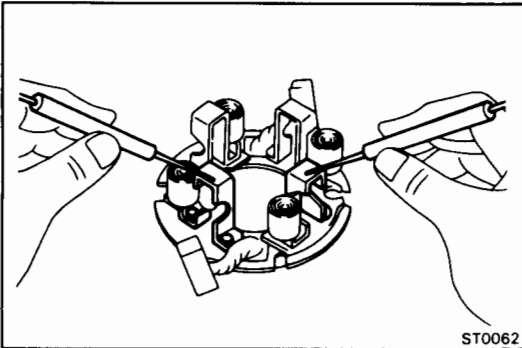
## Brush Spring

### MEASURE BRUSH SPRING LOAD WITH A PULL SCALE

If the reading is below standard, replace the brush spring.

**Spring installed load: 1.785 – 2.415 kg  
(3.9 – 5.3 lb, 18 – 24 N)**

**NOTE:** Take the pull scale reading at the very instant the brush spring separates from the brush.



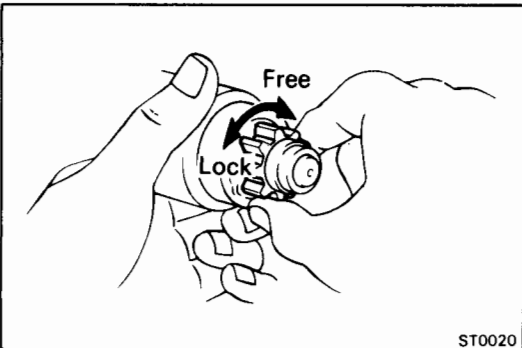
ST0062

## Brush Holder

### INSPECT INSULATION OF BRUSH HOLDER

Using an ohmmeter, check for continuity between the positive and negative brush holders.

If there is continuity, repair or replace the brush holder.



ST0020

## Clutch and Gears

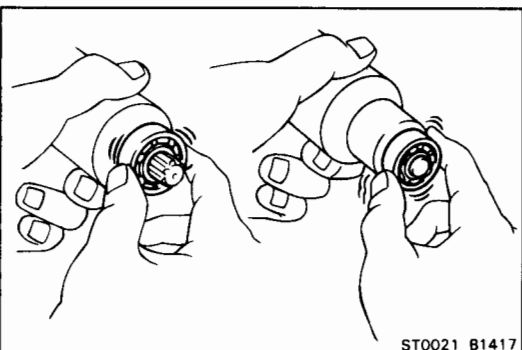
### 1. INSPECT GEAR TEETH

Check the gear teeth on the pinion gear, idler gear and clutch assembly for wear or damage. Replace if damaged.

If damaged, also check the flywheel ring gear for wear or damage.

### 2. INSPECT CLUTCH

Rotate the pinion clockwise and check that it turns freely. Try to rotate the pinion counterclockwise and check that it locks.



ST0021 B1417

## Bearings

### 1. INSPECT BEARINGS

Turn each bearing by hand while applying inward force.

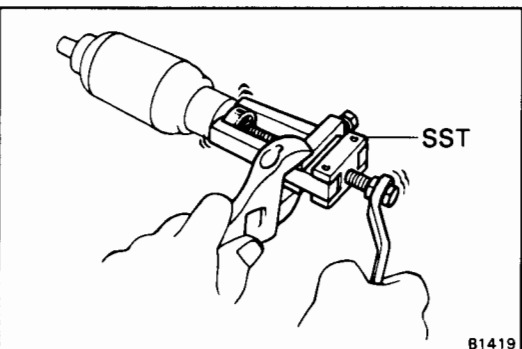
If resistance is felt or if the bearing sticks, replace the bearing.

### 2. IF NECESSARY, REPLACE BEARINGS

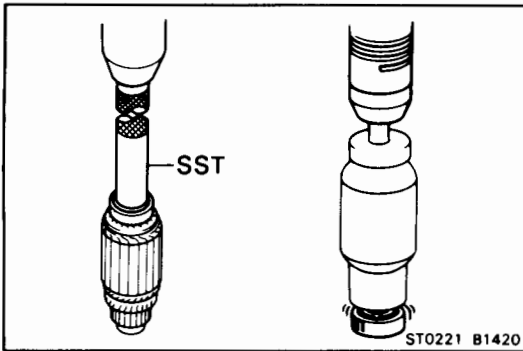
(a) Using SST, remove the bearing from the armature shaft.

(b) Using SST, remove the other bearing on the opposite side.

SST 09286-46011



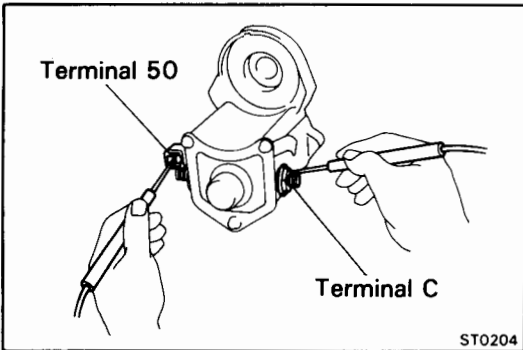
B1419



(c) Using SST and a press, tap a new large bearing onto the shaft.

SST 09201-41020

(d) Using a press, install a new small bearing onto the shaft.

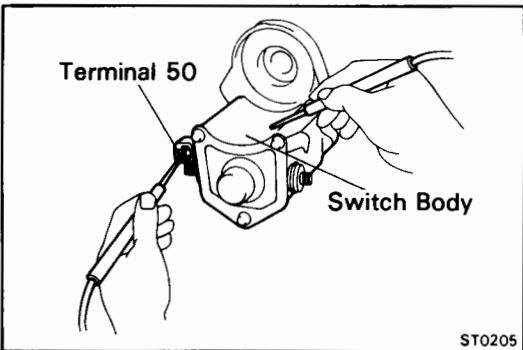


## Magnetic Switch

### 1. PERFORM PULL-IN COIL OPEN CIRCUIT TEST

Using an ohmmeter, check for continuity between terminal 50 and terminal C.

If there is no continuity, replace the magnetic switch.



### 2. PERFORM HOLD-IN COIL OPEN CIRCUIT TEST

Using an ohmmeter, check for continuity between terminal 50 and the switch body.

If there is no continuity, replace the magnetic switch.

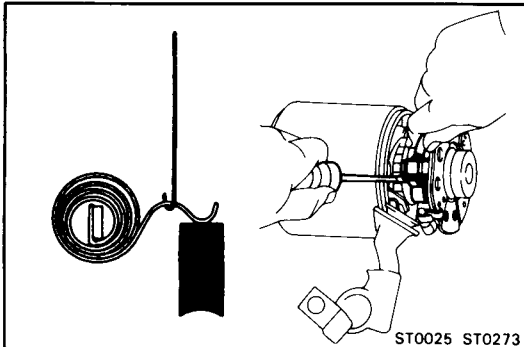
## ASSEMBLY OF STARTER

(See page ST-3)

**NOTE:** Use high-temperature grease to lubricate the bearings and gears when assembling the starter.

### 1. PLACE ARMATURE INTO FIELD FRAME

Apply grease to the armature bearings and insert the armature into the field frame.



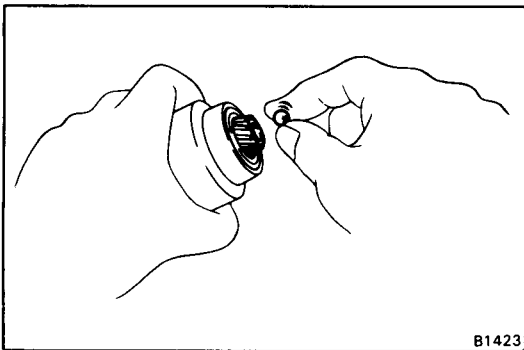
### 2. INSTALL BRUSH HOLDER AND BRUSHES

(a) Using a screwdriver or steel wire, hold the brush spring back, and install the brush into the brush holder. Install four brushes.

**NOTE:** Make sure that the positive lead wires are not grounded.

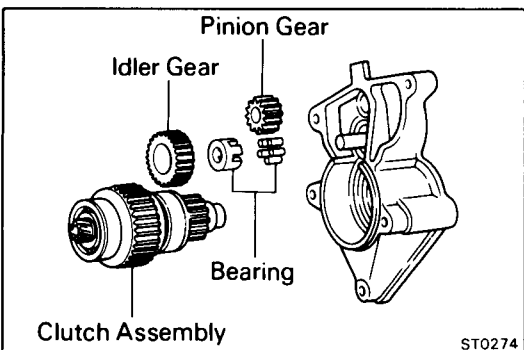
(b) Place the O-ring on the field frame.

(c) Install the end cover to the field frame.



### 3. INSERT STEEL BALL INTO CLUTCH SHAFT HOLE

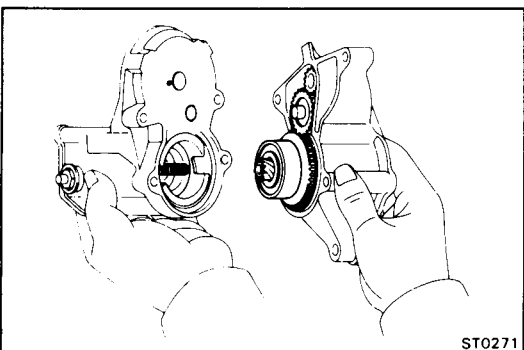
Apply grease to the ball and spring, and insert them into the clutch shaft hole.



### 4. INSTALL GEARS AND CLUTCH ASSEMBLY TO STARTER HOUSING

(a) Apply grease to the gears and clutch assembly.

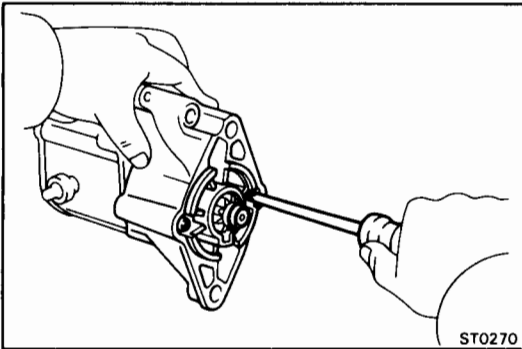
(b) Place the clutch assembly, idler gear, bearing and pinion gear in the starter housing.



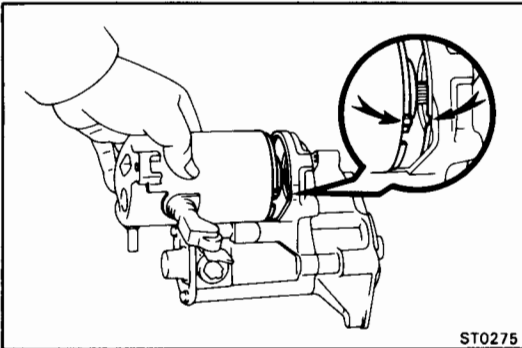
### 5. INSTALL STARTER HOUSING

(a) Insert the spring into the clutch shaft hole.

(b) Place the starter housing on the magnetic switch.

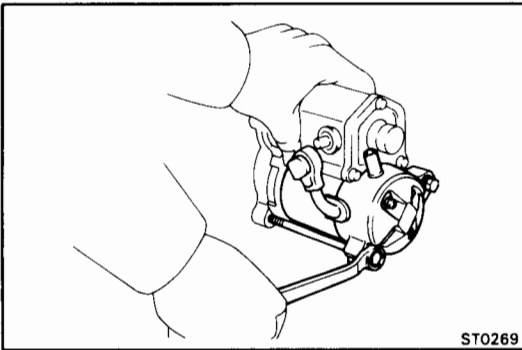


(c) Install the two screws.

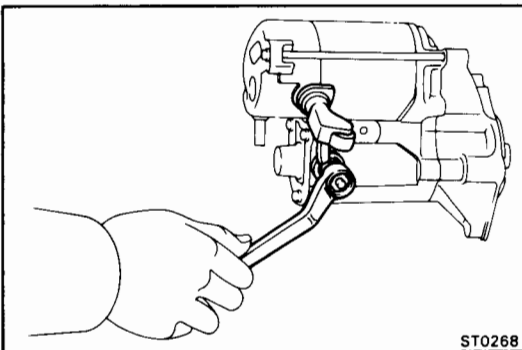


**6. INSTALL FIELD FRAME WITH ARMATURE IN MAGNETIC SWITCH ASSEMBLY**

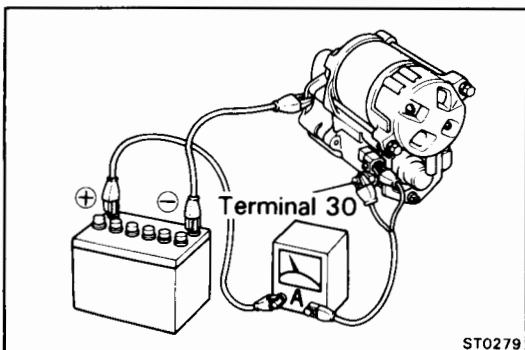
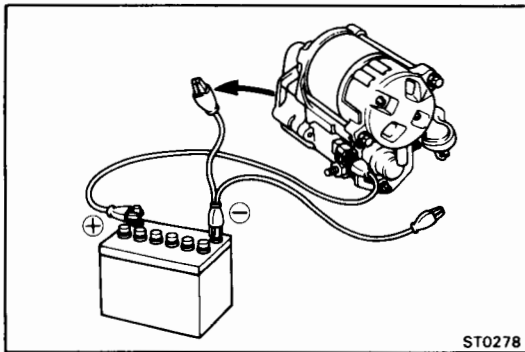
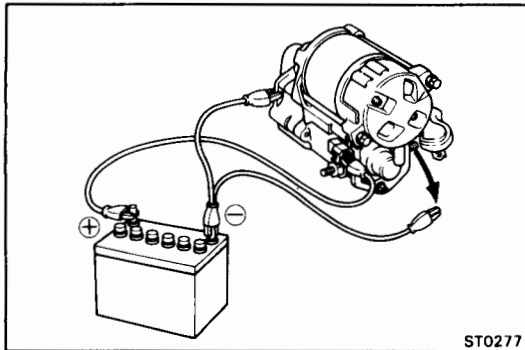
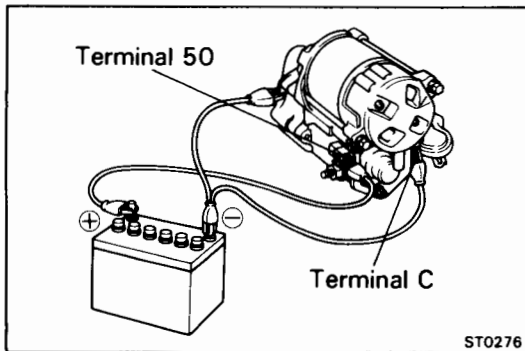
- (a) Place the O-ring on the field frame.
- (b) Match the protrusion of the field frame with the magnetic switch assembly.



(c) Install the two through bolts.



(d) Connect the lead wire to the terminal on the magnetic switch assembly with the nut.



## PERFORMANCE TEST OF STARTER

**CAUTION:** These tests must be performed within 3 to 5 seconds to avoid burning out the coil.

### 1. PERFORM PULL-IN TEST

- (a) Disconnect the field coil lead from terminal C.
  - (b) Connect the battery to the magnetic switch as shown.
- Check that the plunger moves outward.

If the plunger does not move, replace the magnetic switch.

### 2. PERFORM HOLD-IN TEST

While connected as above with the plunger out, disconnect the negative lead from terminal C. Check that the plunger remains out.

If the plunger returns inward, replace the magnetic switch.

### 3. INSPECT PLUNGER RETURN

Disconnect the negative lead from the switch body. Check that the plunger returns inward.

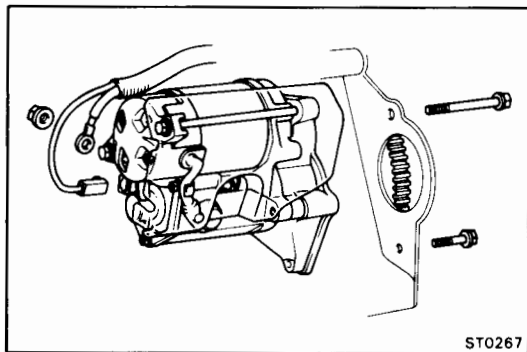
If the plunger does not return, replace the magnetic switch.

### 4. PERFORM NO-LOAD PERFORMANCE TEST

- (a) Connect the battery and ammeter to the starter as shown.
- (b) Check that the starter rotates smoothly and steadily with the pinion moving out. Check that the ammeter reads the specified current.

**Specified current: Less than 90 A at 11.5 V**





## INSTALLATION OF STARTER

1. **INSTALL HEAT INSULATOR**
2. **INSTALL STARTER MOTOR IN FLYWHEEL BELLHOUSING**

Place the starter motor in the flywheel bellhousing. Install and torque the two bolts.

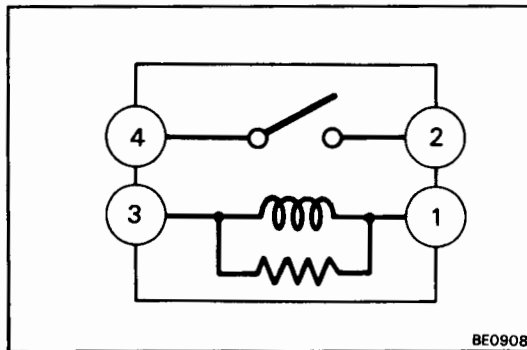
**Torque: 400 kg-cm (29 ft-lb, 39 N·m)**

3. **CONNECT TWO WIRES TO STARTER**

Connect the connector to the terminal on the magnetic switch. Connect the cable from the battery to the terminal on the switch, and install the nut.

4. **CONNECT CABLE TO NEGATIVE TERMINAL OF BATTERY**

Check that the engine starts.

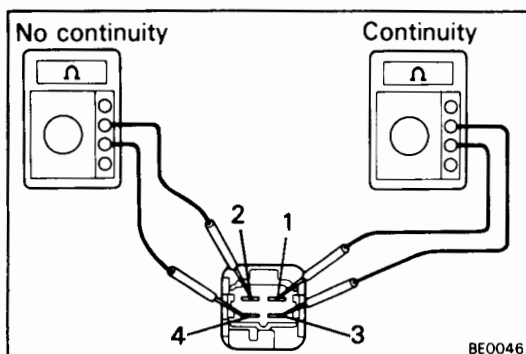


## CLUTCH STARTER RELAY

### INSPECTION OF CLUTCH STARTER RELAY

#### INSPECT CLUTCH STARTER RELAY

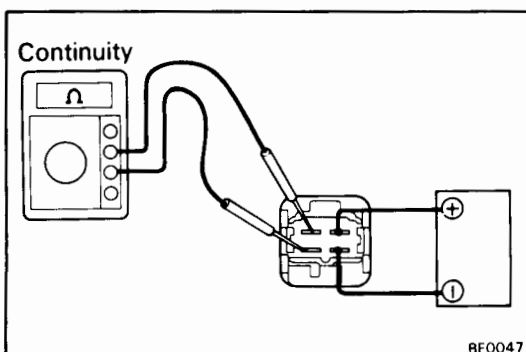
**NOTE:** The relay located in the No. 2 junction block of the engine compartment.



#### Inspect Relay Continuity

- (a) Using an ohmmeter, check that there is continuity between terminals 1 and 3.
- (b) Check that there is no continuity between terminals 2 and 4.

If continuity is not as specified, replace the relay.



#### Inspect Relay Operation

- (a) Apply battery voltage across terminals 1 and 3.
- (b) Check that there is continuity between terminals 2 and 4.

If operation is not as specified, replace the relay.

## CLUTCH START SWITCH (M/T ONLY)

(See page CL-4)

# CHARGING SYSTEM

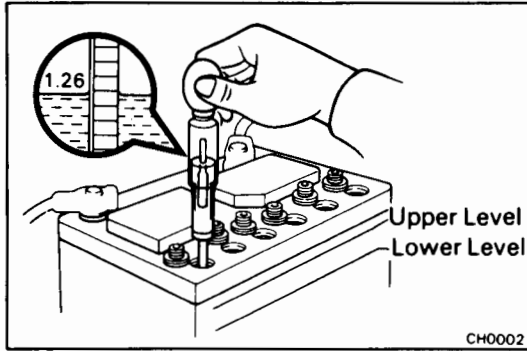
	Page
PRECAUTIONS .....	CH-2
TROUBLESHOOTING .....	CH-2
ON-VEHICLE INSPECTION .....	CH-3
ALTERNATOR .....	CH-6
ENGINE MAIN RELAY .....	CH-16

## PRECAUTIONS

1. Check that the battery cables are connected to the correct terminals.
2. Disconnect the battery cables when the battery is given a quick charge.
3. Do not perform tests with a high voltage insulation resistance tester.
4. Never disconnect the battery while the engine is running.

## TROUBLESHOOTING

Problem	Possible cause	Remedy	Page
Discharge warning light does not light with ignition ON and engine off	Fuse blown	Check CHARGE, AM <sub>2</sub> and ENGINE fuses	CH-14 CH-7
	Light burned out	Replace light	
	Wiring connection loose	Tighten loose connections	
	Engine main relay faulty	Check relay	
	IC regulator faulty	Replace IC regulator	
Discharge warning light does not go out with engine running (battery requires frequent recharging)	Drive belt loose or worn	Adjust or replace drive belt	CH-4
	Battery cables loose, corroded or worn	Repair or replace cables	CH-3 CH-5
	Fuse blown	Check "CHARGE" fuse	
	Fusible link blown	Replace fusible link	
	IC regulator or alternator faulty	Check charging system	
	Wiring faulty	Repair wiring	



## ON-VEHICLE INSPECTION

### 1. CHECK BATTERY SPECIFIC GRAVITY AND ELECTROLYTE LEVEL

- (a) Check the specific gravity of each cell.

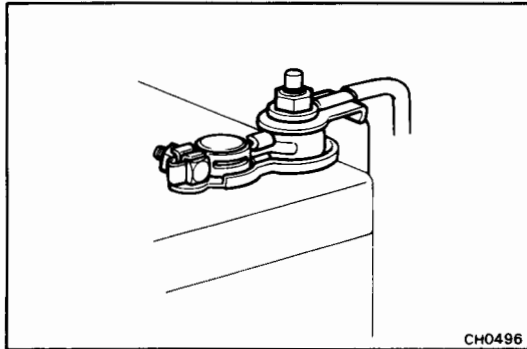
#### Standard specific gravity

**When fully charged at 20°C (68°F): 1.25 – 1.27**

If not within specifications, charge the battery.

- (b) Check the electrolyte quantity of each cell.

If insufficient, refill with distilled (or purified) water.



### 2. CHECK BATTERY TERMINALS AND FUSIBLE LINK

- (a) Check that the battery terminals are not loose or corroded.

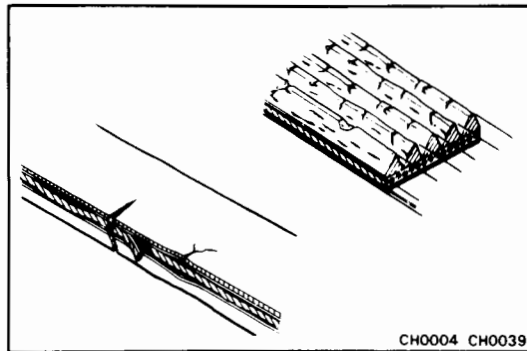
- (b) Check the fusible links for continuity.

### 3. CHECK FUSES FOR CONTINUITY

**ENGINE fuse (10A)**

**CHARGE fuse (5A)**

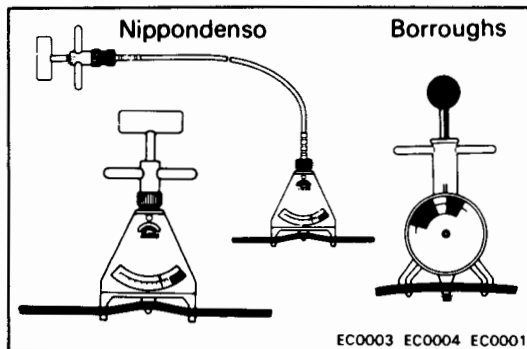
**AM<sub>2</sub> (7.5A)**



### 4. INSPECT ALTERNATOR DRIVE BELT

- (a) Visually check the belt for separation of the adhesive rubber above and below the core, core separation from the belt side, severed core, separation of the rib from the adhesive rubber, cracking or separation of the ribs, torn or worn ribs or cracks in the inner ridges of the ribs.

If necessary, replace the drive belt.



- (b) Using a belt tension gauge, check the drive belt tension.

Belt tension gauge:

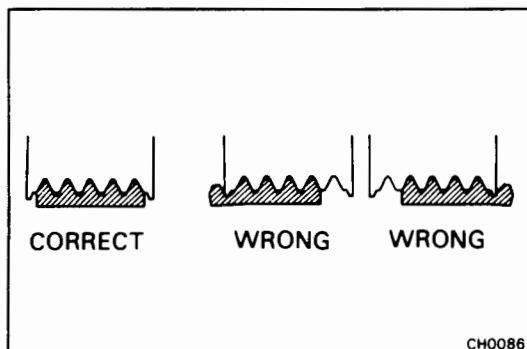
Nippondenso BTG-20 (95506-00020) or

Borroughs No. BT-33-73F

**Drive belt tension: New belt 175 ± 5 lb**

**Used belt 115 ± 20 lb**

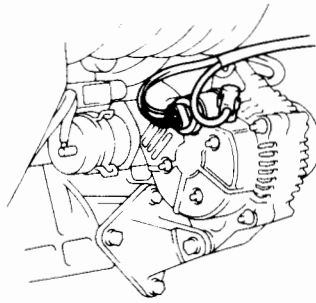
If necessary, adjust the drive belt tension.



#### NOTE:

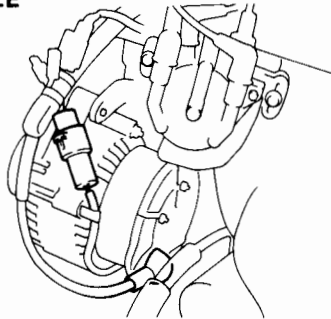
- "New belt" refers to a belt which has been used less than 5 minutes on a running engine.
- "Used belt" refers to a belt which has been used on a running engine for 5 minutes or more.
- After installing the drive belt, check that it fits properly in the ribbed grooves.

4A-GE



CH0318

4A-GZE



CH0596

## 5. VISUALLY CHECK ALTERNATOR WIRING AND LISTEN FOR ABNORMAL NOISES

- (a) Check that the wiring is in good condition.
- (b) Check that there are no abnormal noises from the alternator while the engine is running.

## 6. CHECK DISCHARGE WARNING LIGHT CIRCUIT

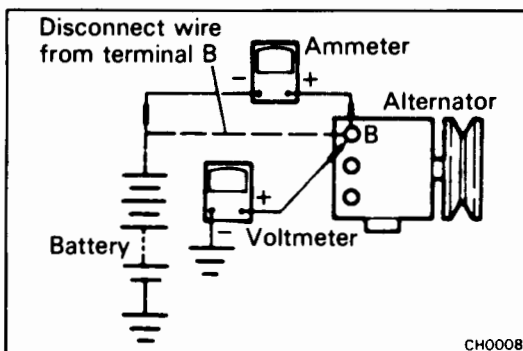
- (a) Warm up the engine and then turn it off.
- (b) Turn off all accessories.
- (c) Turn the ignition switch to "ON." Check that the discharge warning light is lit.
- (d) Start the engine. Check that the light goes out.

If the light does not come on and go off as specified, troubleshoot the warning light circuit.

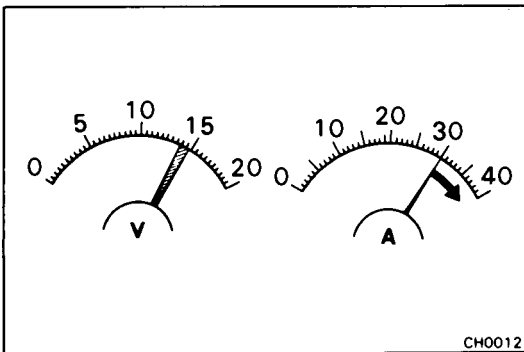
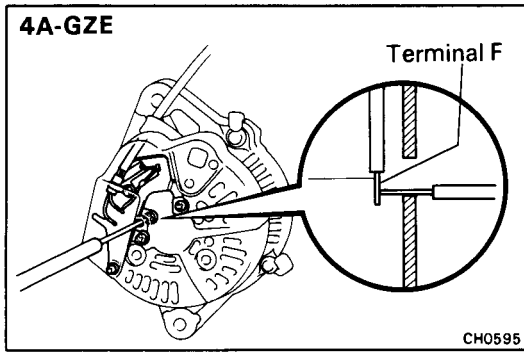
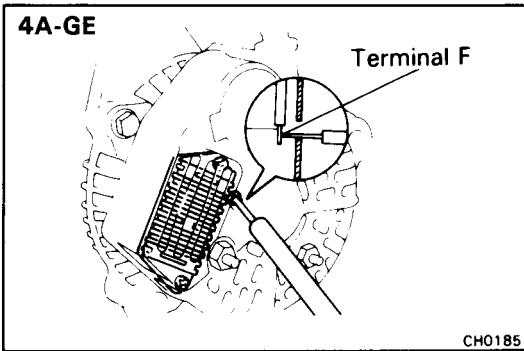
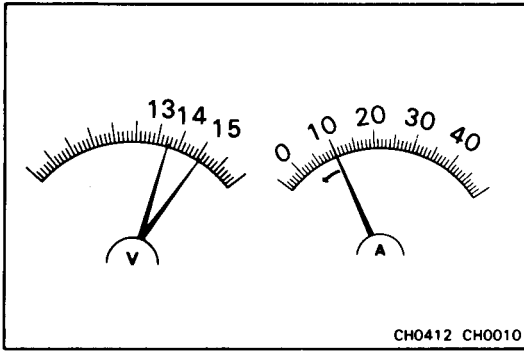
## 7. CHECK CHARGING CIRCUIT WITHOUT LOAD

**NOTE:** If a battery/alternator tester is available, connect the tester to the charging circuit as per the manufacturer's instructions.

- (a) If a tester is not available, connect a voltmeter and ammeter to the charging circuit as follows:
  - Disconnect the wire from terminal "B" of the alternator and connect it to the negative terminal of the ammeter.
  - Connect the test lead from the positive terminal of the ammeter to terminal "B" of the alternator.
  - Connect the positive lead of the voltmeter to terminal "B" of the alternator.
  - Connect the negative lead of the voltmeter to ground.



CH0008



- (b) Check the charging circuit as follows:  
 With the engine running from idling to 2,000 rpm, check the reading on the ammeter and voltmeter.

**Standard amperage: Less than 10 A**

**Standard voltage:**

4A-GE	13.9 – 15.1 V at 25°C ( 77°F)
	13.5 – 14.3 V at 115°C (239°F)
4A-GZE	13.7 – 14.8 V at 25°C ( 77°F)
	13.2 – 14.0 V at 115°C (239°F)

- If the voltage reading is greater than standard, replace the IC regulator.
- If the voltage reading is less than standard, check the IC regulator and alternator as follows:  
 with terminal "F" grounded, start the engine and check the voltage reading of terminal "B".
- If the voltage reading is greater than standard, replace the IC regulator.
- If the voltage reading is less than standard, check the alternator.

**8. CHECK CHARGING CIRCUIT WITH LOAD**

- (a) With the engine running at 2,000 rpm, turn on the high beam headlights and place the heater fan control switch at "HI."

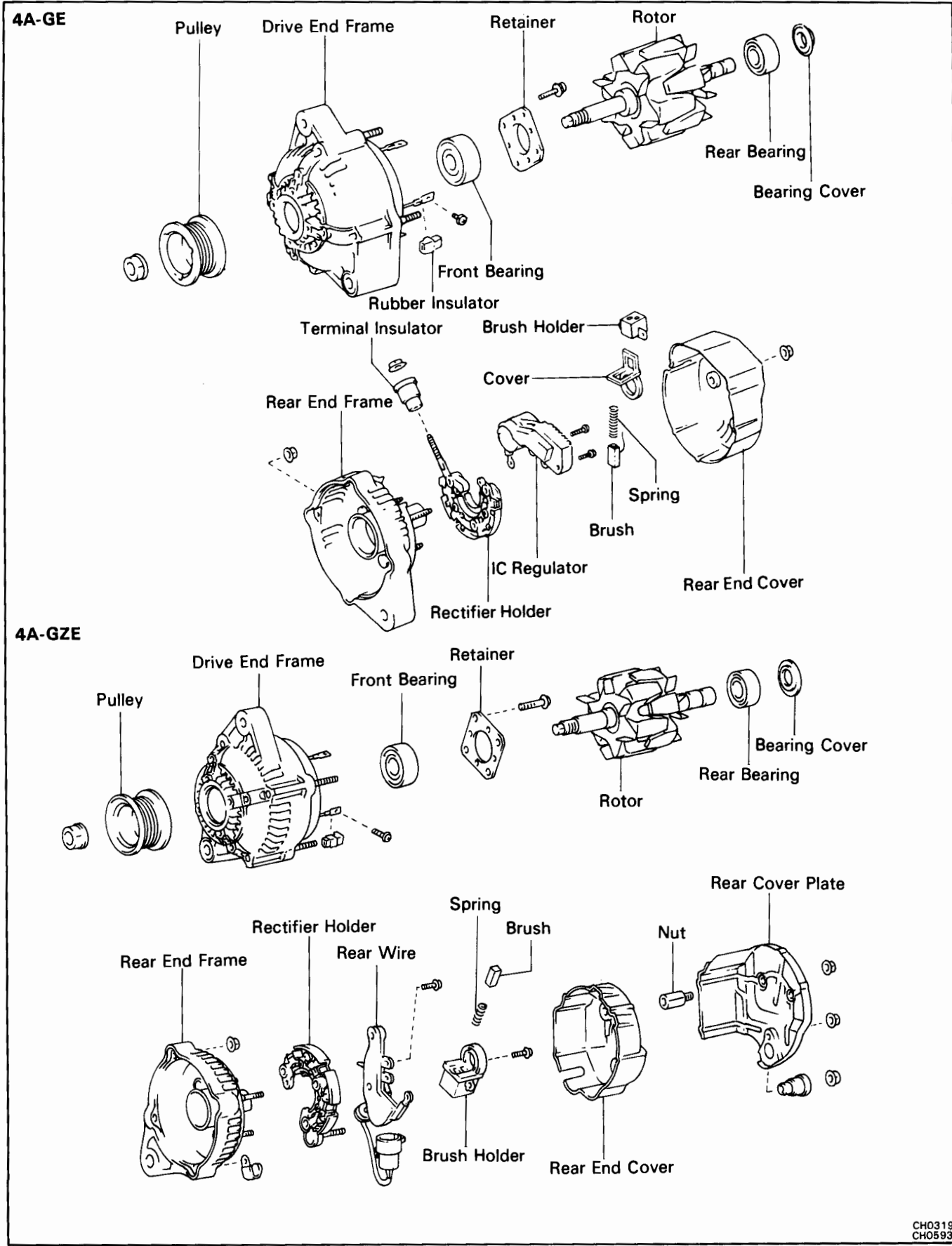
- (b) Check the reading on the ammeter.

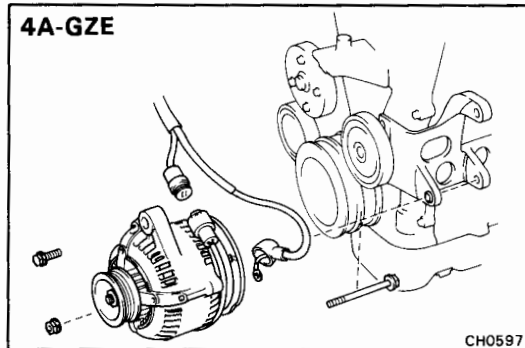
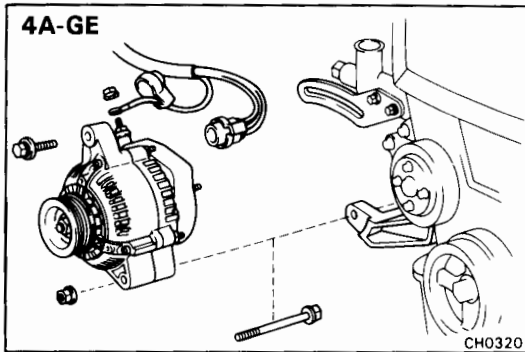
**Standard amperage: More than 30 A**

If the ammeter reading is less than 30A, repair the alternator. (See pages CH-6)

NOTE: If the battery is fully charged, sometimes the indication will be less than 30A.

# ALTERNATOR COMPONENTS





## REMOVAL OF ALTERNATOR

1. **DISCONNECT CABLE FROM NEGATIVE TERMINAL OF BATTERY**
2. **DISCONNECT WIRE FROM ALTERNATOR**
  - (a) Disconnect the connector from the alternator.
  - (b) Remove the nut and wire from the alternator.
3. **REMOVE ALTERNATOR DRIVE BELT**

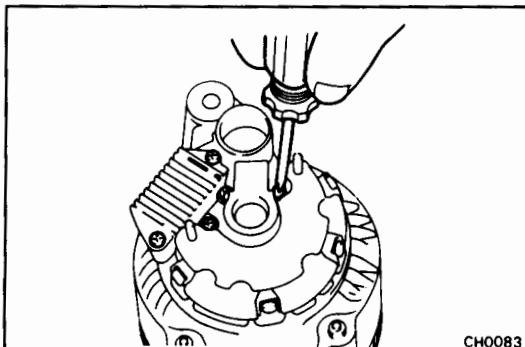
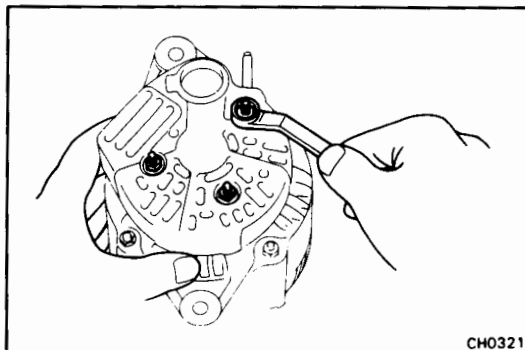
Loosen the alternator pivot nut, bolt and adjusting lock bolts, and remove the drive belt.
4. **REMOVE ALTERNATOR**
  - (a) Remove the pivot nut, bolt and adjusting lock bolts.
  - (b) Remove the alternator.

## DISASSEMBLY OF ALTERNATOR

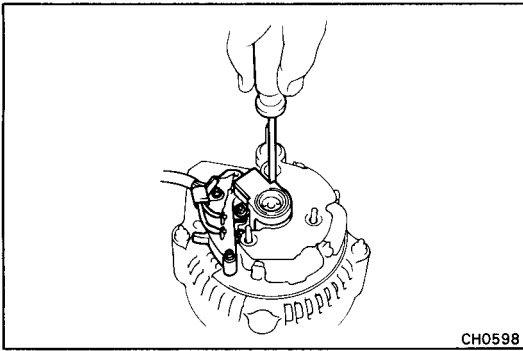
(See page CH-6)

1. **(4A-GZE)  
REAR COVER PLATE**
  - (a) Remove the nut and terminal insulator.
  - (b) Remove the three nuts and cover plate.
  - (c) Remove the two bolts.
2. **REMOVE REAR END COVER**
  - (a) (4A-GE)  
Remove the nut and terminal insulator.
  - (b) Remove the three nuts and end cover.
3. **REMOVE BRUSH HOLDER AND IC REGULATOR  
(4A-GE) OR READ WIRE (4A-GZE)**

(4A-GE)  
Remove the five screws, brush holder and IC regulator.

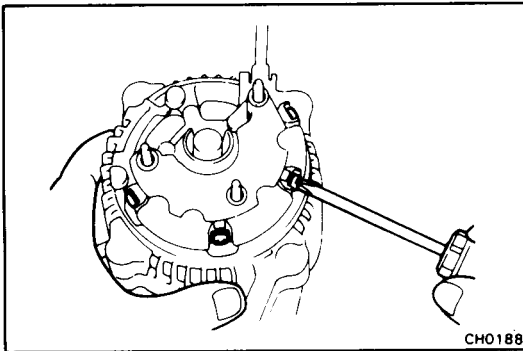




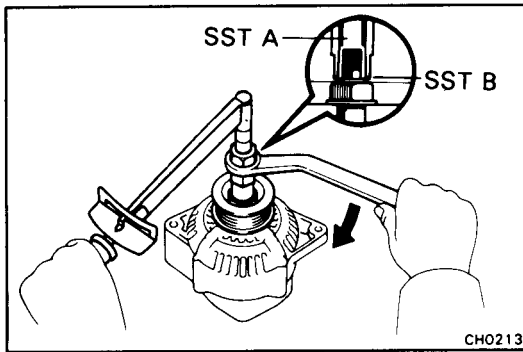


(4A-GZE)

Remove the five screws, brush holder and read wire.

**4. REMOVE RECTIFIER HOLDER**

Remove the four screws, rectifier holder and rubber insulators.

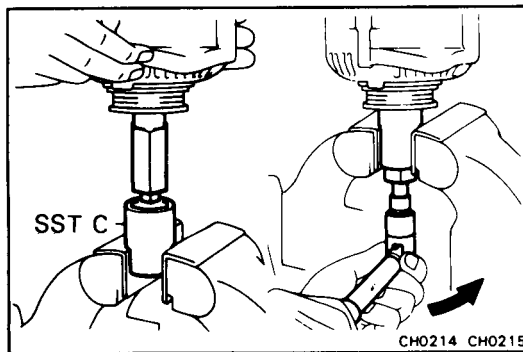
**5. REMOVE PULLEY**

(a) Hold SST A with a torque wrench and tighten SST B clockwise to the specified torque.

SST 09820-63010

**Torque: 400 kg-cm (29 ft-lb, 39 N·m)**

(b) Confirm that SST A is secured to the pulley shaft.



(c) As shown in the figure, grip SST C in a vise and then install the alternator to SST C.

(d) To loosen the pulley nut, turn SST A in the direction shown in the figure.

**CAUTION: To prevent damage to the rotor shaft, do not loosen the pulley nut more the one-half of a turn.**

(e) Remove the alternator from SST C.

(f) Turn SST B and remove all SSTs.

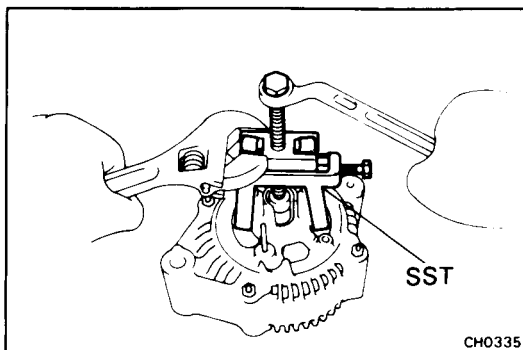
(g) Remove the pulley nut and the pulley.

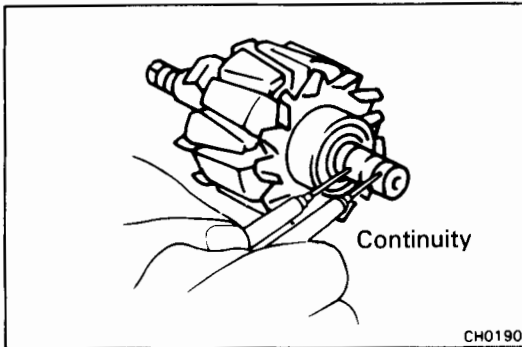
**6. REMOVE REAR END FRAME**

(a) Remove the four nuts.

(b) Using SST, remove the rear end frame.

SST 09286-46011

**7. REMOVE ROTOR FROM DRIVE END FRAME**



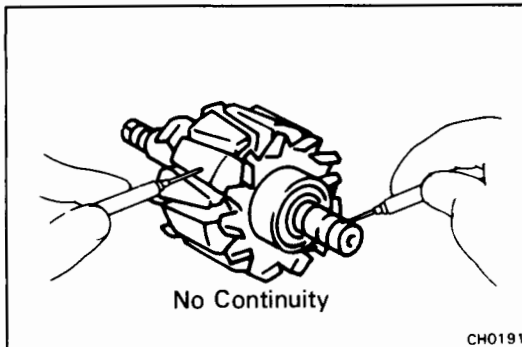
## INSPECTION AND REPAIR OF ALTERNATOR Rotor

### 1. INSPECT ROTOR FOR OPEN CIRCUIT

Using an ohmmeter, check for continuity between the slip rings.

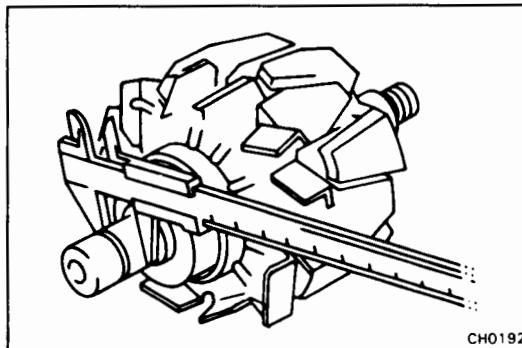
**Standard resistance: Less than  $3\Omega$**

If there is no continuity, replace the rotor.



### 2. INSPECT ROTOR FOR GROUND

Using an ohmmeter, check that there is no continuity between the slip ring and rotor. If there is continuity, replace the rotor.



### 3. INSPECT SLIP RINGS

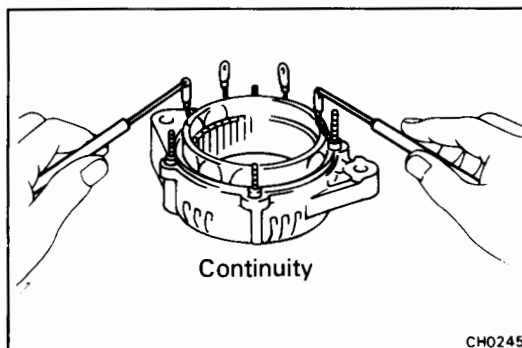
(a) Check that the slip rings are not rough or scored. If rough or scored, replace the rotor.

(b) Using calipers, measure the slip ring diameter.

**Standard diameter: 14.2 – 14.4 mm  
(0.559 – 0.567 in.)**

**Minimum diameter: 12.8 mm (0.504 in.)**

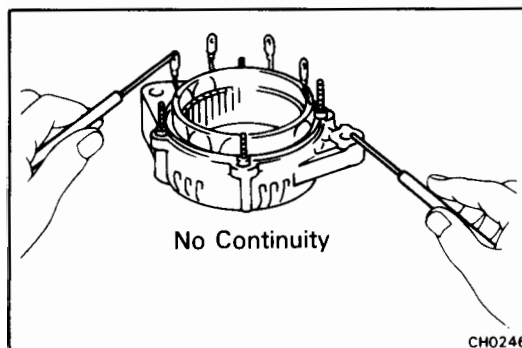
If the diameter of the slip ring is less than the minimum, replace the rotor.



## Stator

### 1. INSPECT STATOR FOR OPEN CIRCUIT

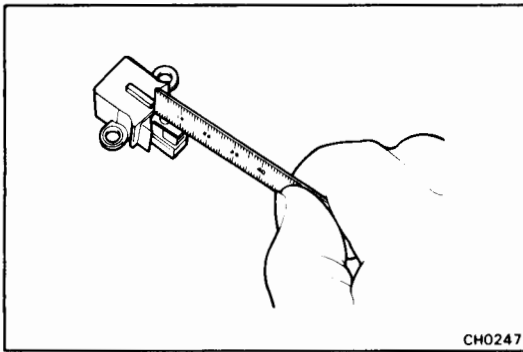
Using an ohmmeter, check all leads for continuity. If there is no continuity, replace the drive end frame assembly.



### 2. INSPECT THAT STATOR IS NOT GROUNDED

Using an ohmmeter, check that there is no continuity between the coil leads and drive end frame.

If there is continuity, replace the drive end frame assembly.



CH0247

## Brush and Brush Holder

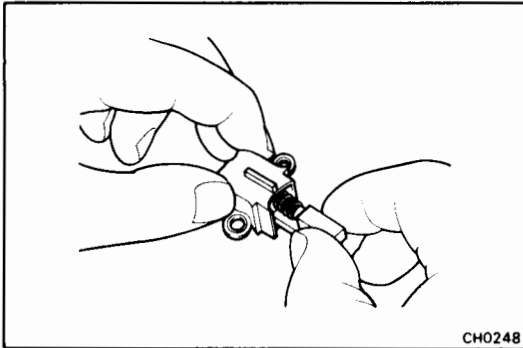
### 1. MEASURE EXPOSED BRUSH LENGTH

Using a scale, measure the exposed brush length.

**Standard exposed length: 10.5 mm (0.413 in.)**

**Minimum exposed length: 1.5 mm (0.059 in.)**

If the brush length is less than the minimum, replace the brush.

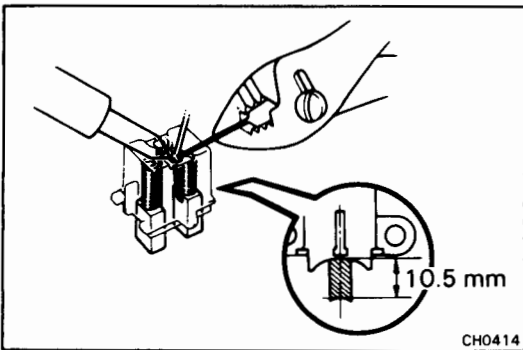


CH0248

### 2. IF NECESSARY, REPLACE BRUSH

(a) Unsolder and remove the brush and the spring.

(b) Put the brush wire through the spring and insert the brush holder.



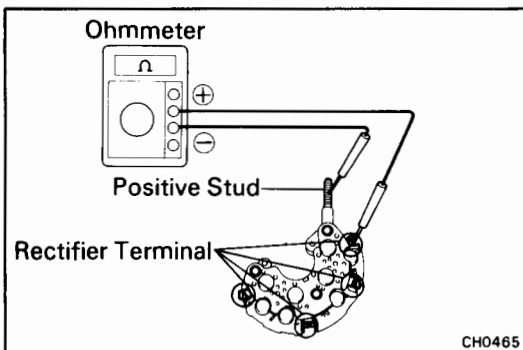
CH0414

(c) Solder the wire to the brush holder as shown.

**Standard exposed length: 10.5 mm (0.413 in.)**

(d) Check that the brush moves smoothly in the brush holder.

(e) Cut off the excess wire.

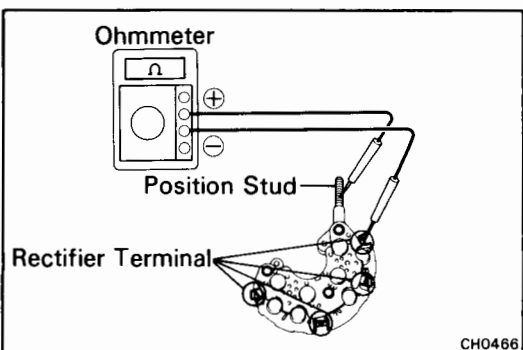


CH0465

## Rectifier

### 1. INSPECT POSITIVE SIDE RECTIFIER

(a) Using an ohmmeter, connect one tester probe to the positive stud and the other to each rectifier terminal.

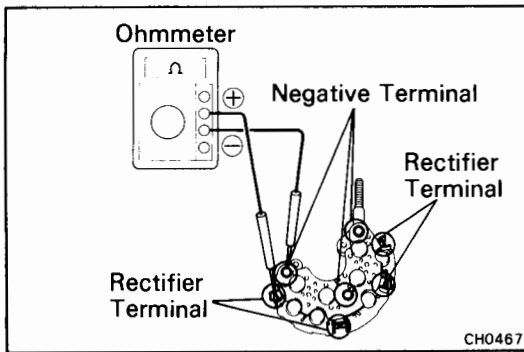


CH0466

(b) Reverse the polarity of the tester probes and repeat step a.

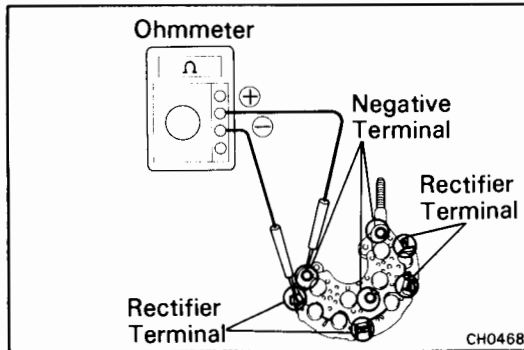
(c) Check that one shows continuity and the other shows no continuity.

If not, replace the rectifier holder.



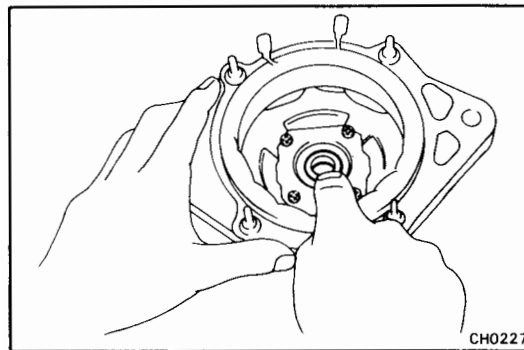
## 2. INSPECT NEGATIVE SIDE RECTIFIER

- (a) Connect one tester probe to each rectifier terminal and the other to each rectifier negative terminal.



- (b) Reverse the polarity of the tester probes.
- (c) Check that one shows continuity and the other shows no continuity.

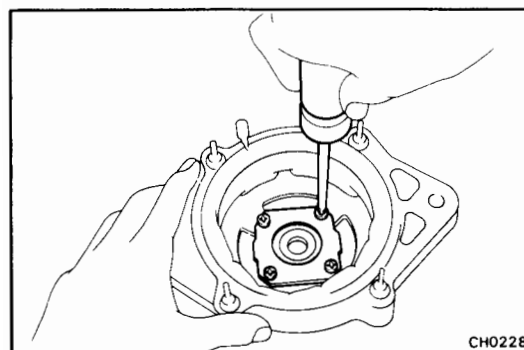
If not, replace the rectifier holder.



## Bearings

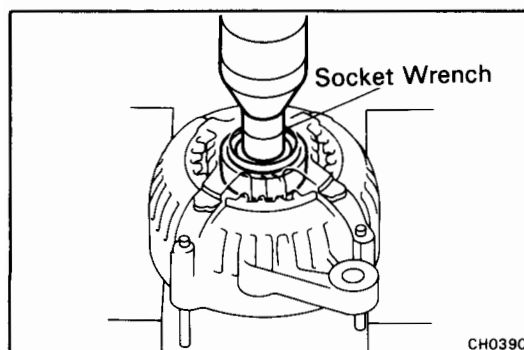
### 1. INSPECT FRONT BEARING

Check that the bearing is not rough or worn.

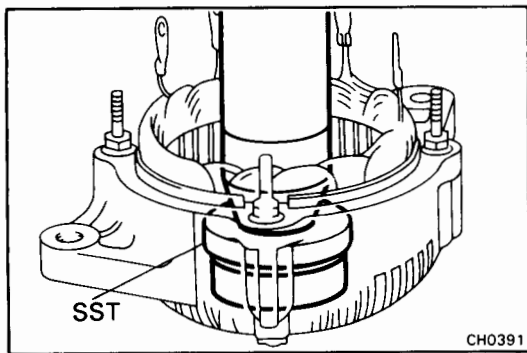


### 2. IF NECESSARY, REPLACE FRONT BEARING

- (a) Remove the four screws and bearing retainer.



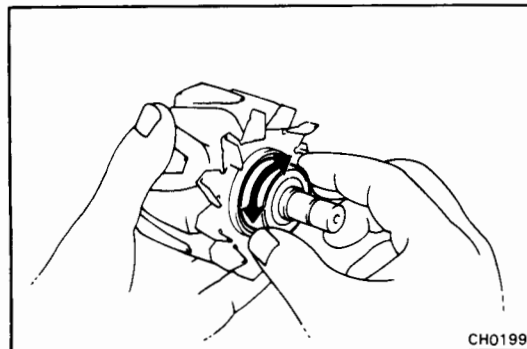
- (b) Using a press and socket wrench, press out the front bearing.



(c) Using SST and a press, press the front bearing into the drive end frame.

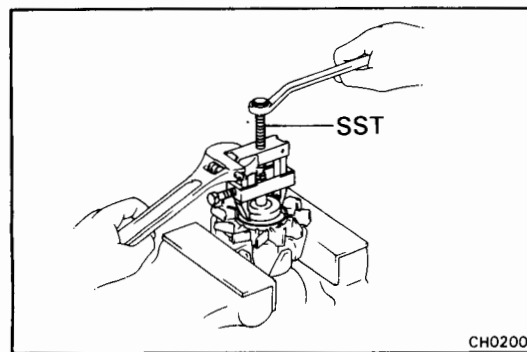
SST 09608-20012 (09608-00030)

(d) Install the bearing retainer with the four screws.



**3. INSPECT REAR BEARING**

Check that the bearing is not rough or worn.

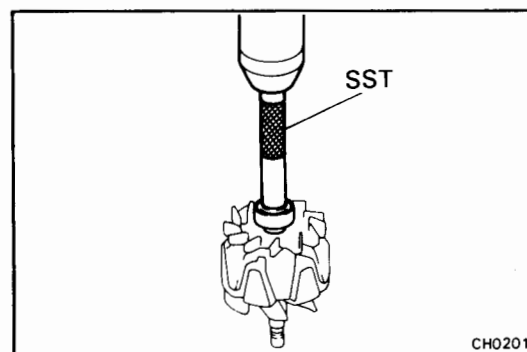


**4. IN NECESSARY, REPLACE REAR BEARING**

(a) Using SST, remove the rear bearing cover and cover.

SST 09820-00021

**CAUTION:** Be careful not to damage the fan.

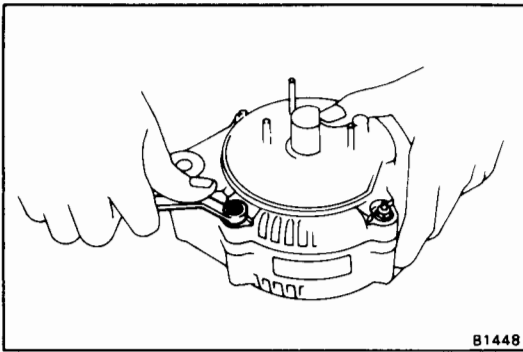


(b) Using SST and a press, press in a new bearing and the bearing cover.

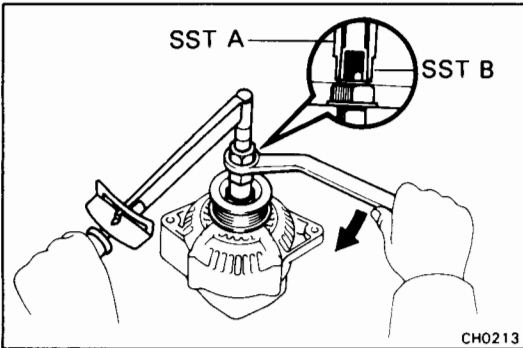
SST 09285-76010

**ASSEMBLY OF ALTERNATOR**

(See page CH-6)

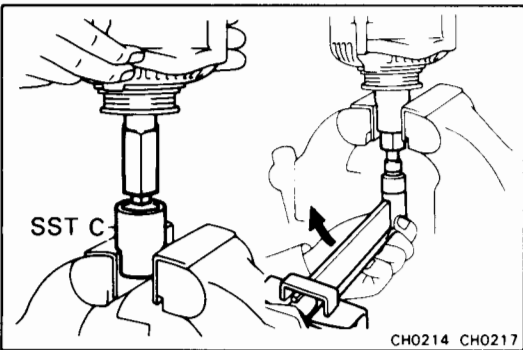
**1. INSTALL ROTOR TO DRIVE END FRAME****2. INSTALL REAR END FRAME**

- Using a plastic hammer, lightly tap the rear end frame on the drive end frame.
- Install the four nuts.

**3. INSTALL PULLEY**

- Install the pulley to the rotor shaft by tightening the pulley nut by hand.
- Hold SST A with a torque wrench and tighten SST B clockwise to the specified torque.

SST 09820-63010

**Torque: 400 kg-cm (29 ft-lb, 39 N·m)**

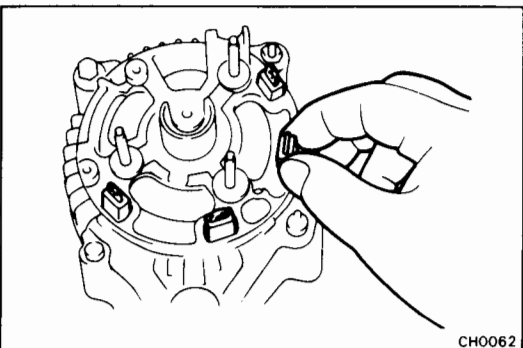
- Confirm that SST A is secured to the pulley shaft.
- As shown in the figure, grip SST C in a vise and then install the alternator to SST C.
- To torque the pulley nut turn SST A in the direction shown in the figure.

**Torque: 1,125 kg-cm (81 ft-lb, 110 N·m)**

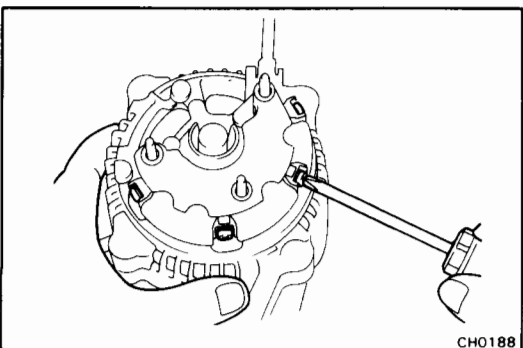
- Turn SST B and remove all SSTs.

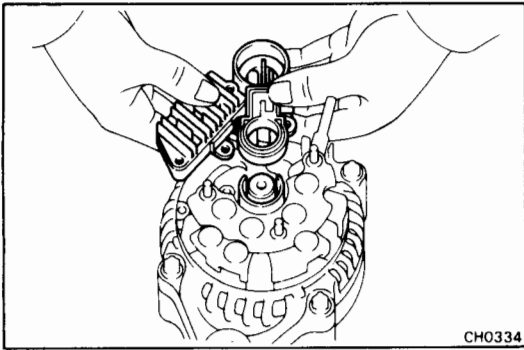
**4. INSTALL RECTIFIER HOLDER**

- Install the four rubber insulators on the lead wires.



- Install the rectifier with four screws.

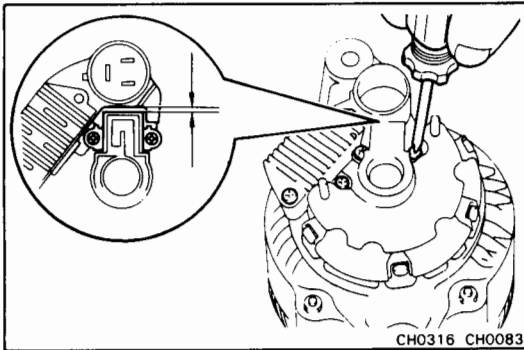




**5. (4A-GE)  
INSTALL BRUSH HOLDER AND IC REGULATOR**

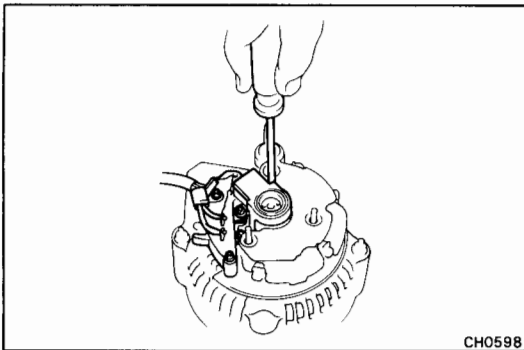
- (a) Place the brush holder cover to the brush holder.
- (b) Install the IC regulator and brush holder to the rear end frame horizontally as shown in the figure.

**NOTE:** Make sure the brush holder's cover doesn't slip to one side during installation.



- (c) Install and tighten the three screws.

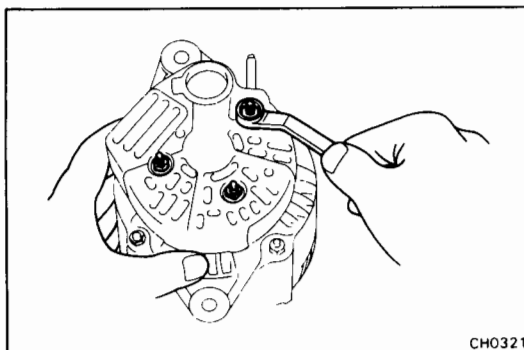
**NOTE:** Make sure the gap between the brush holder and connector is at least 1 mm (0.04 in.).



**6. (4A-GZE)  
INSTALL BRUSH HOLDER AND**

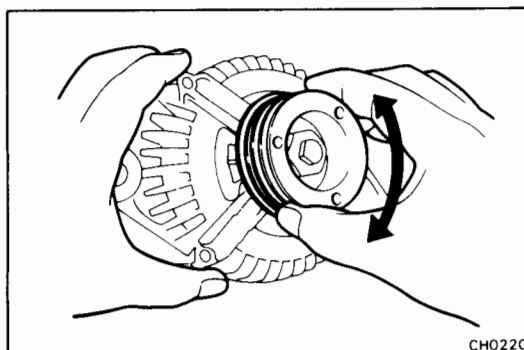
- (a) Place the brush holder cover to the brush holder.
- (b) Install the read wire and brush holder to the rear end frame horizontally as shown in the figure.

**NOTE:** Make sure the brush holder's cover doesn't slip to one side during installation.

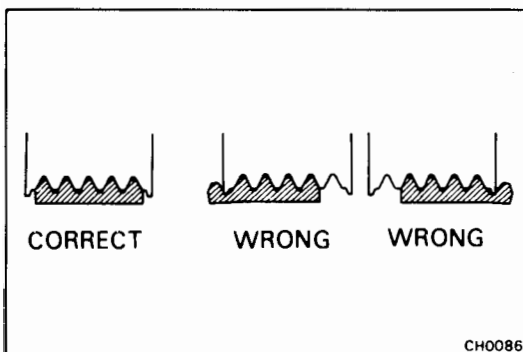
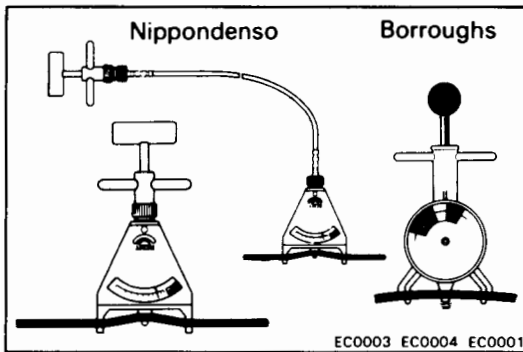
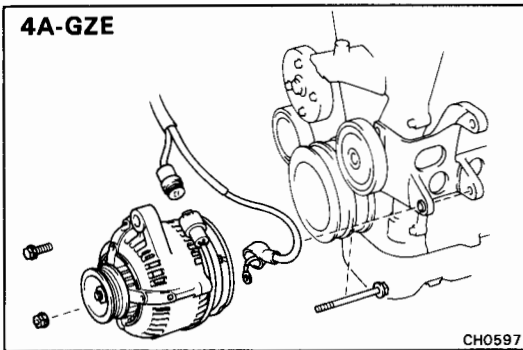
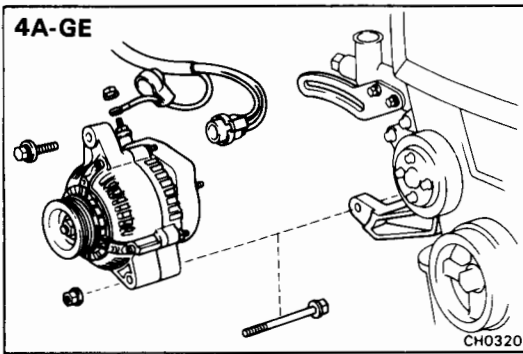


**7. INSTALL REAR END COVER**

- (a) Install the end cover with the three nuts.
- (b) Install the terminal insulator with the nut.



**8. MAKE SURE ROTOR ROTATES SMOOTHLY**



## INSTALLATION OF ALTERNATOR

### 1. INSTALL ALTERNATOR

Mount the alternator on the engine bracket with the pivot nut, bolt and adjusting lock bolts.

Do not tighten the bolts.

### 2. CONNECT WIRING TO ALTERNATOR

- Connect the wire to the alternator and install the nut.
- Connect the connector to the alternator.

### 3. CONNECT NEGATIVE CABLE TO BATTERY

### 4. INSTALL ALTERNATOR DRIVE BELT

- Install the drive belt.
- Using a belt tension gauge, check the drive belt tension.

Belt tension gauge:

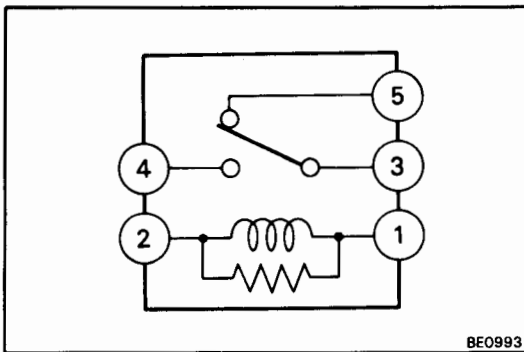
Nippondenso	BTG-20 (95506-00020) or
Borroughs	No. BT-33-73F

**Drive belt tension:**    **New belt**    **175 ± 5 lb**  
    **Used belt**    **115 ± 20 lb**

#### NOTE:

- "New belt" refers to a belt which has been used less than 5 minutes on a running engine.
  - "Used belt" refers to a belt which has been used on a running engine for 5 minutes or more.
  - After installing the drive belt, check that it fits, properly in the ribbed grooves.
- Tighten the pivot bolt.



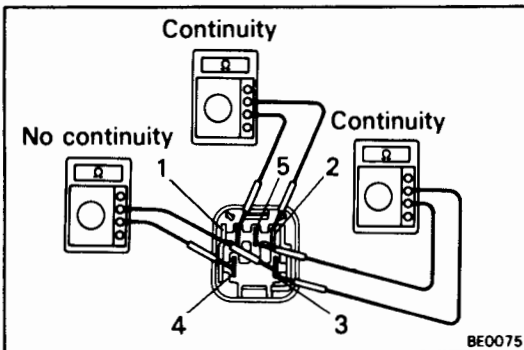


## ENGINE MAIN RELAY

### INSPECTION OF ENGINE MAIN RELAY

#### INSPECT ENGINE MAIN RELAY

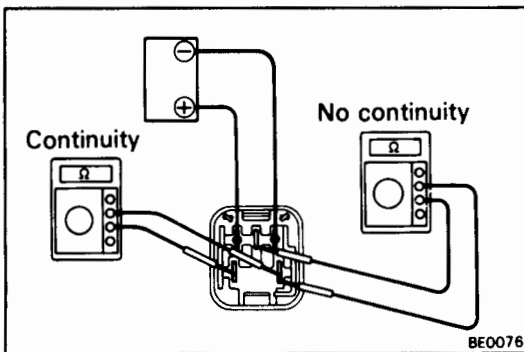
**NOTE:** The relay is located in the No. 2 junction block of the engine compartment.



#### Inspect Relay Continuity

- Using an ohmmeter, check that there is continuity between terminals 1 and 2.
- Check that there is continuity between terminals 3 and 5.
- Check that there is no continuity between terminals 3 and 4.

If continuity is not as specified, replace the relay.



#### Inspect Relay Operation

- Apply battery voltage across terminals 1 and 2.
- Using an ohmmeter, check that there is continuity between terminals 3 and 4.
- Check that there is no continuity between terminals 3 and 5.

If operation is not as described, replace the relay.

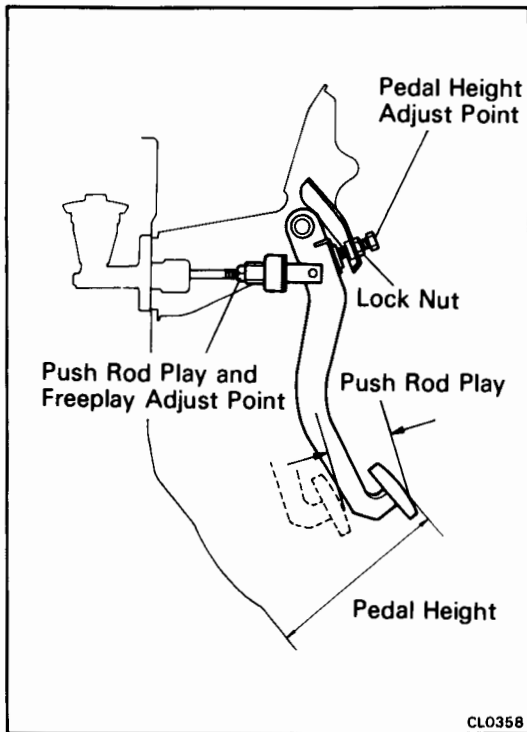
---

# CLUTCH

	<b>Page</b>
<b>TROUBLESHOOTING</b> .....	<b>CL-2</b>
<b>CHECK AND ADJUSTMENT OF CLUTCH</b>	
<b>PEDAL</b> .....	<b>CL-3</b>
<b>BLEEDING OF CLUTCH SYSTEM</b> .....	<b>CL-3</b>
<b>INSPECTION OF CLUTCH START SYSTEM</b> .....	<b>CL-4</b>
<b>CLUTCH MASTER CYLINDER</b> .....	<b>CL-5</b>
<b>CLUTCH RELEASE CYLINDER</b> .....	<b>CL-9</b>
<b>CLUTCH UNIT</b> .....	<b>CL-12</b>

## TROUBLESHOOTING

<b>Problem</b>	<b>Possible cause</b>	<b>Remedy</b>	<b>Page</b>
Hard to shift or will not shift	Clutch pedal freeplay excessive	Adjust pedal freeplay	CL-3
	Air in clutch lines	Bleed clutch system	CL-3
	Clutch release cylinder faulty	Repair release cylinder	CL-9
	Clutch master cylinder faulty	Repair master cylinder	CL-5
	Clutch disc out of true, runout is excessive or lining broken	Inspect clutch disc	CL-12
	Splines on input shaft or clutch disc dirty or burred	Repair as necessary	CL-12
	Clutch pressure plate faulty	Replace clutch cover	CL-12
Clutch slips	Clutch pedal freeplay insufficient	Adjust pedal freeplay	CL-3
	Clutch disc lining oily or worn out	Inspect clutch disc	CL-12
	Pressure plate faulty	Replace clutch cover	CL-12
	Release fork binding	Inspect release fork	CL-12
Clutch grabs/ chatters	Clutch disc lining oily or worn out	Inspect clutch disc	CL-12
	Pressure plate faulty	Replace clutch cover	CL-12
	Clutch diaphragm spring bent	Align clutch diaphragm	CL-12
	Engine mounts loose	Repair as necessary	
Clutch pedal spongy	Air in clutch lines	Bleed clutch system	CL-3
	Clutch release cylinder faulty	Repair release cylinder	CL-9
	Clutch master cylinder faulty	Repair master cylinder	CL-5
Clutch noisy	Loose part inside housing	Repair as necessary	
	Release bearing worn or dirty	Replace release bearing	CL-12
	Release fork or linkage sticks	Repair as necessary	



## CHECK AND ADJUSTMENT OF CLUTCH PEDAL

### 1. CHECK THAT PEDAL HEIGHT IS CORRECT

Pedal height: 157 – 167 mm (6.18 – 6.57 in.)

### 2. IF NECESSARY, ADJUST PEDAL HEIGHT

- Remove the instrument lower finish panel and air duct.
- Loosen the lock nut and turn the stopper bolt until the height is correct. Tighten the lock nut.

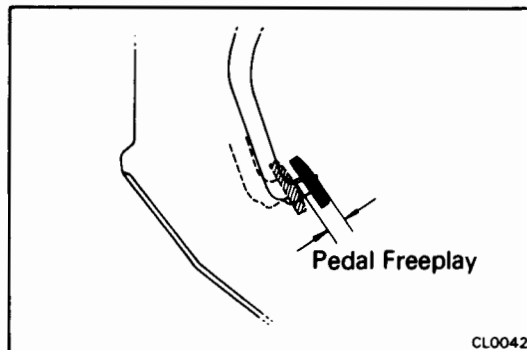
### 3. CHECK THAT PEDAL FREEPLAY AND PUSH ROD PLAY ARE CORRECT

Push in on the pedal until the beginning of clutch resistance is felt.

Pedal freeplay: 5.0 – 15.0 mm (0.197 – 0.591 in.)

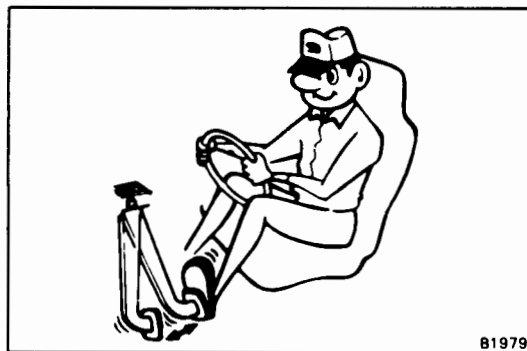
Push rod play at pedal top:

1.0 – 5.0 mm (0.039 – 0.197 in.)



### 4. IF NECESSARY, ADJUST PEDAL FREEPLAY AND PUSH ROD PLAY

- Loosen the lock nut and turn the push rod until the freeplay and push rod play are correct.
- Tighten the lock nut.
- After adjusting the pedal freeplay, check the pedal height.
- Install the air duct and instrument lower finish panel.



## BLEEDING OF CLUTCH SYSTEM

**NOTE:** If any work is done on the clutch system or if air is suspected in the clutch lines, bleed the system of air.

**CAUTION:** DO NOT let brake fluid remain on a painted surface. Wash it off immediately.

### 1. FILL CLUTCH RESERVOIR WITH BRAKE FLUID

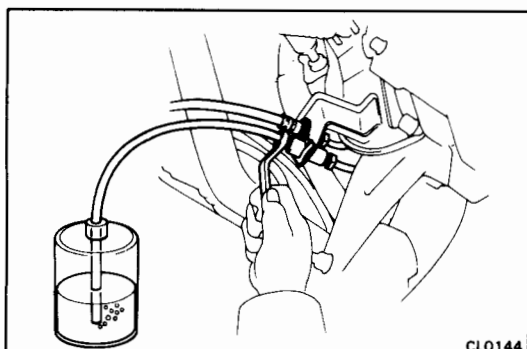
Check the reservoir frequently. Add fluid if necessary.

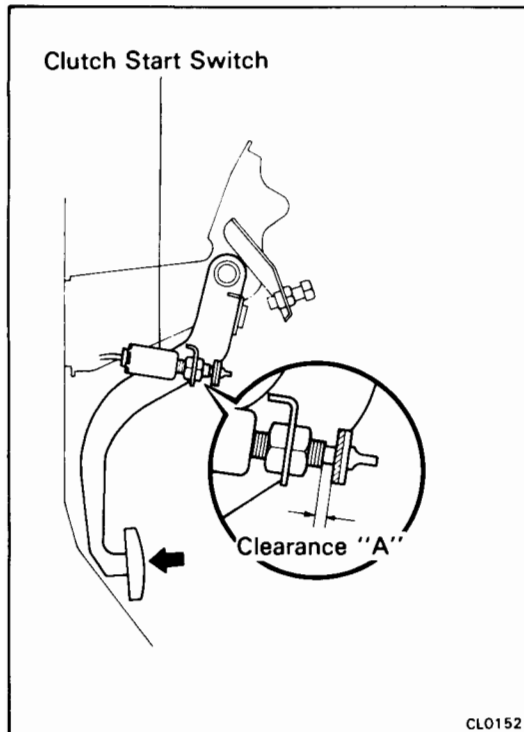
### 2. CONNECT VINYL TUBE TO BLEEDER PLUG

Insert the other of the tube in a half-filled container of brake fluid.

### 3. BLEED CLUTCH LINE

- Slowly pump the clutch pedal several times.
- While depressing the pedal, loosen the bleeder plug until the fluid starts to run out. Then close the bleeder plug.
- Repeat this procedure until there are no more air bubbles in the fluid.





## INSPECTION OF CLUTCH START SYSTEM

### CHECK CLUTCH PEDAL

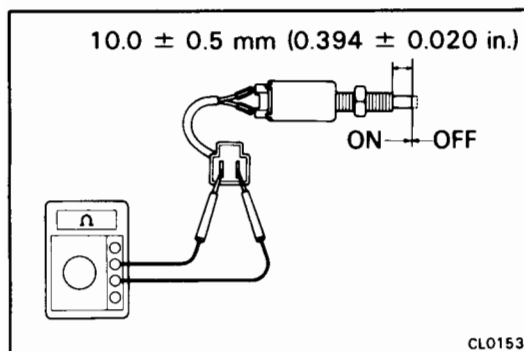
1. CHECK THAT PEDAL HEIGHT IS CORRECT  
(See page CL-3)
2. CHECK THAT PEDAL FREEPLAY AND PUSH ROD PLAY ARE CORRECT  
(See page CL-3)

### CHECK CLUTCH START SYSTEM

#### CHECK CLUTCH START SYSTEM

- (a) Check that the engine does not start when the clutch pedal is released.
- (b) Check that the engine starts when the clutch pedal is fully depressed.
- (c) Check that clearance "A" is greater than 1 mm (0.04 in.) when the clutch is fully depressed.

If necessary, adjust or replace the clutch start switch.



### INSPECTION AND ADJUSTMENT OF CLUTCH START SWITCH

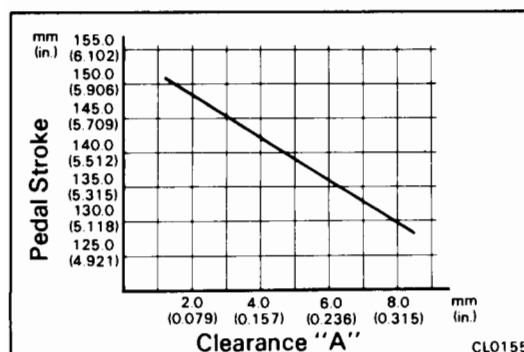
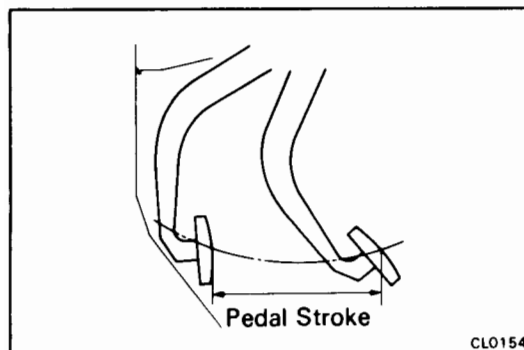
#### 1. INSPECT CONTINUITY OF CLUTCH START SWITCH

- (a) Check that there is continuity between terminals when the switch is ON (pushed).
- (b) Check that there is no continuity between terminals when the switch is OFF (free).

If continuity is not as specified, replace the switch.

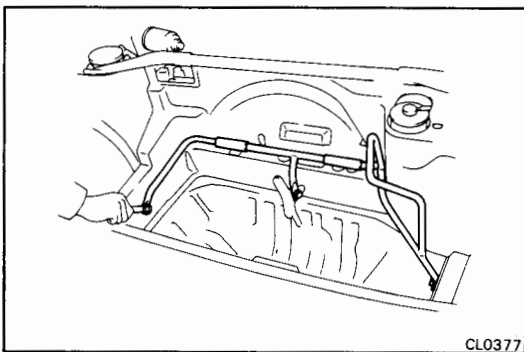
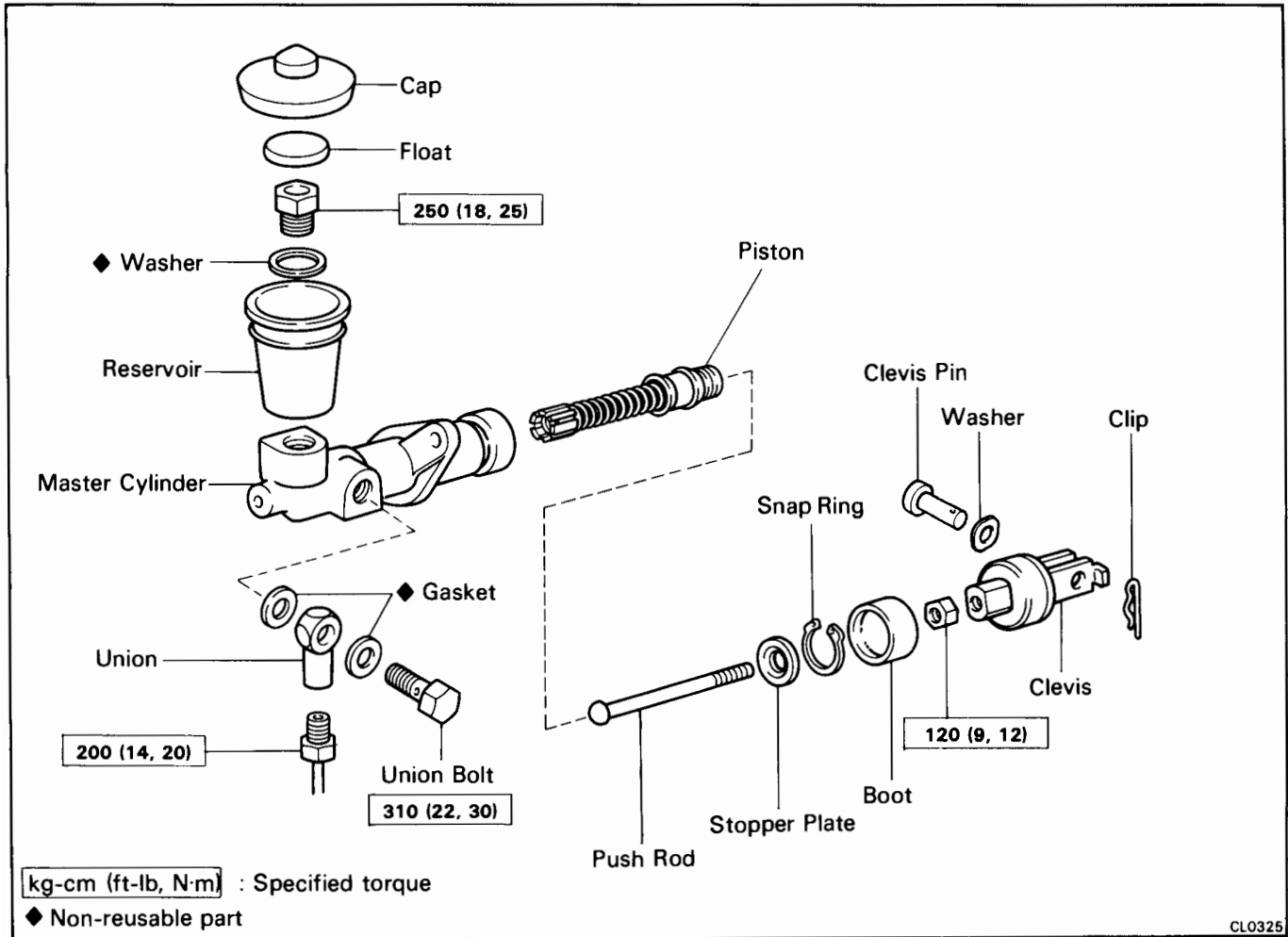
#### 2. ADJUST CLUTCH START SWITCH

- (a) Measure the pedal stroke, and check the switch clearance "A" using the chart left.
- (b) Loosen and adjust the switch position.



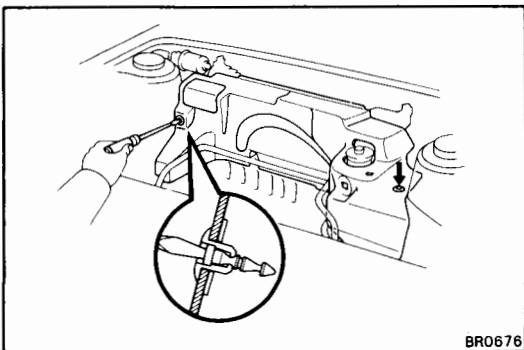
- (c) Recheck that the engine does not start when the clutch pedal is released.

# CLUTCH MASTER CYLINDER COMPONENTS

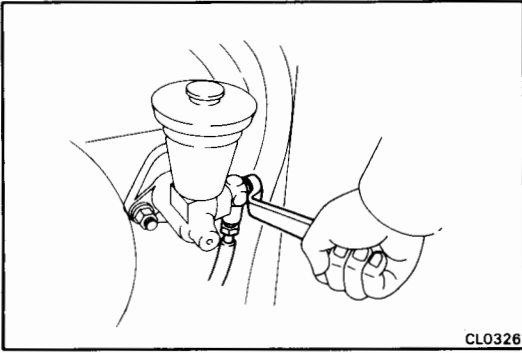


## REMOVAL OF MASTER CYLINDER

1. (4A-GZE)  
REMOVE SPARE WHEEL GUARD



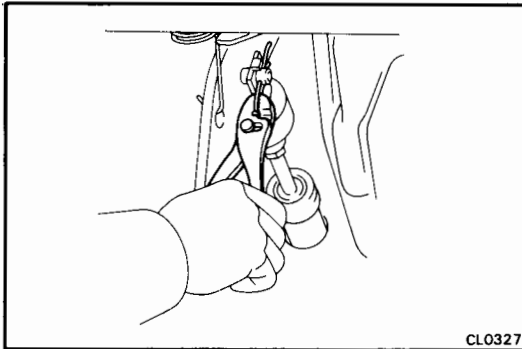
2. REMOVE LUGGAGE COMPARTMENT TRIM COVER
3. DRAW OUT FLUID WITH SYRINGE



CL0326

**4. DISCONNECT CLUTCH LINE TUBE**

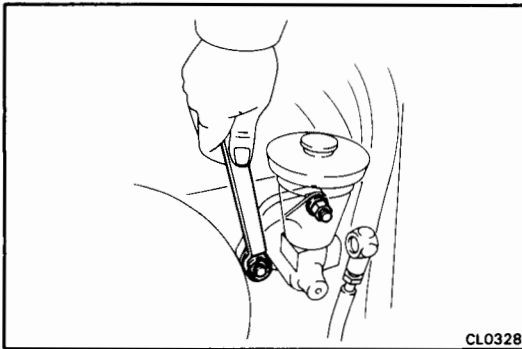
Remove the union bolt and disconnect the clutch line. Use a container to catch the fluid.



CL0327

**5. REMOVE CLEVIS PIN AND CLIP**

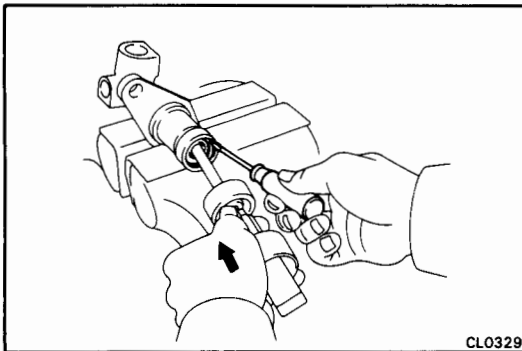
Remove the clip and clevis pin.



CL0328

**6. REMOVE MASTER CYLINDER**

Remove the mounting nuts and remove the master cylinder.



CL0329

**DISASSEMBLY OF MASTER CYLINDER**

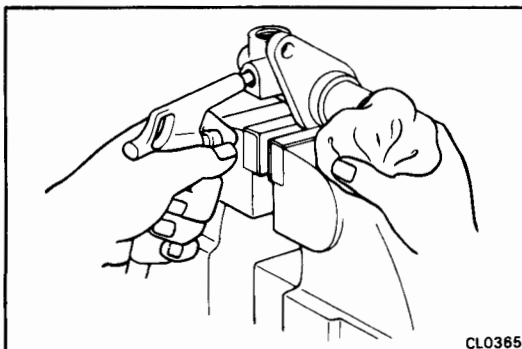
(See page CL-5)

**1. REMOVE RESERVOIR TANK****2. REMOVE PUSH ROD ASSEMBLY**

- (a) Pull back the boot and, using a screwdriver, remove the snap ring.
- (b) Pull out the push rod assembly.

**3. REMOVE PISTON**

Using compressed air, remove the piston from the cylinder.



CL0365

## INSPECTION OF MASTER CYLINDER

NOTE: Clean the disassembled parts with compressed air.

### 1. INSPECT MASTER CYLINDER BORE FOR SCORING OR CORROSION

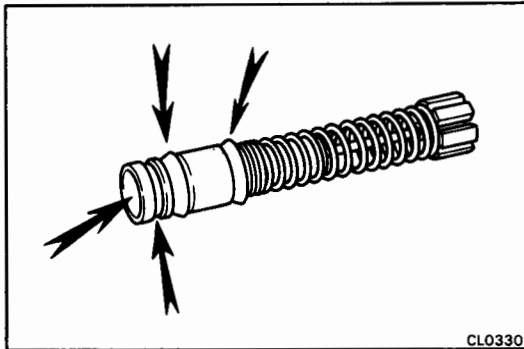
If a problem is found, clean or replace the cylinder.

### 2. INSPECT PISTON AND CUPS FOR WEAR, SCORING, CRACKS OR SWELLING

If either one requires replacement, use the parts from the cylinder kit.

### 3. INSPECT PUSH ROD FOR WEAR OR DAMAGE

If necessary, replace the push rod.



## ASSEMBLY OF MASTER CYLINDER

(See page CL-5)

### 1. COAT PISTON WITH LITHIUM SOAP BASE GLYCOL GREASE, AS SHOWN

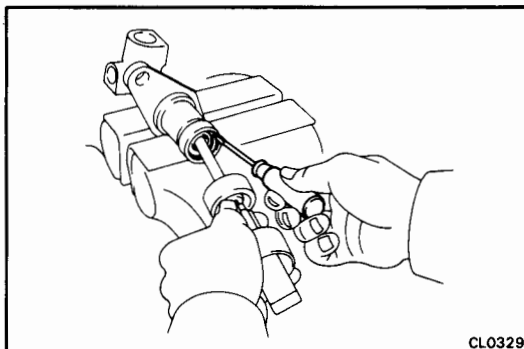
### 2. INSERT PISTON INTO CYLINDER

### 3. INSTALL PUSH ROD ASSEMBLY

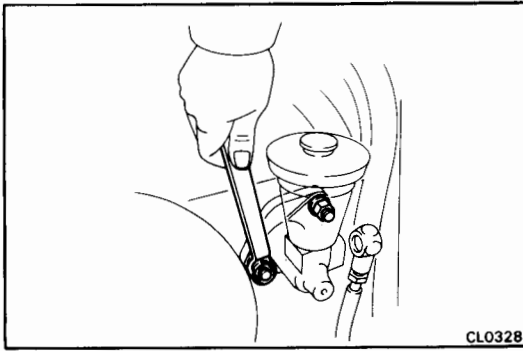
Insert and push in the push rod assembly, and using a screwdriver, install the snap ring.

### 4. INSTALL RESERVOIR TANK

Torque: 250 kg-cm (18 ft-lb, 25 N·m)







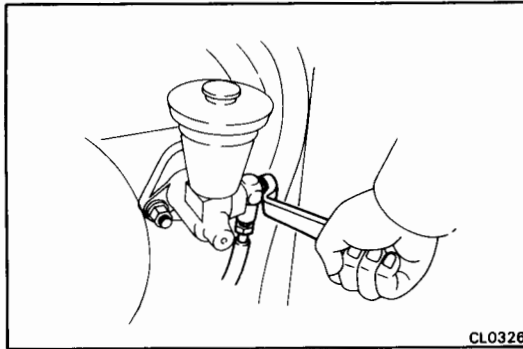
## INSTALLATION OF MASTER CYLINDER

(See page CL-5)

### 1. INSTALL MASTER CYLINDER

Install the master cylinder with two nuts. Tighten the nuts.

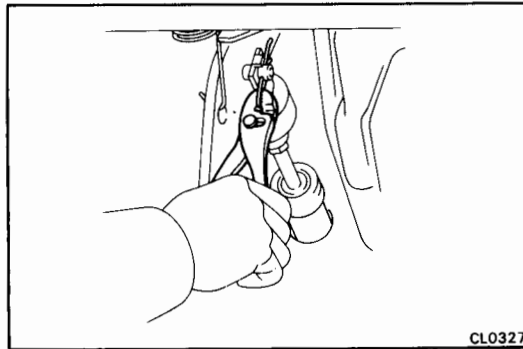
**Torque: 130 kg-cm (9 ft-lb, 13 N·m)**



### 2. CONNECT CLUTCH LINE

Connect the clutch line with a union bolt through the two new gaskets.

**Torque: 310 kg-cm (22 ft-lb, 30 N·m)**

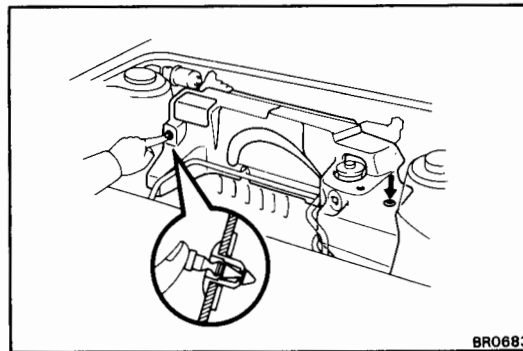


### 3. CONNECT CLEVIS, AND INSTALL CLEVIS PIN AND CLIP

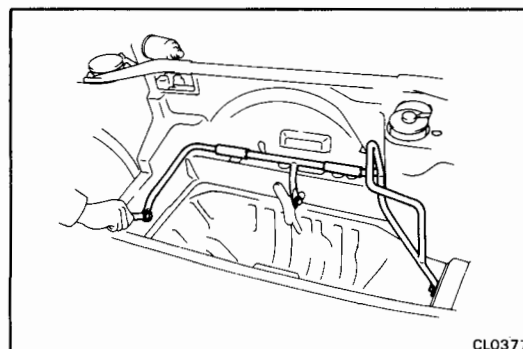
Secure the clevis pin with the clip.

### 4. FILL CLUTCH RESERVOIR WITH BRAKE FLUID AND BLEED CLUTCH SYSTEM (See page CL-3)

### 5. CHECK FOR LEAKS



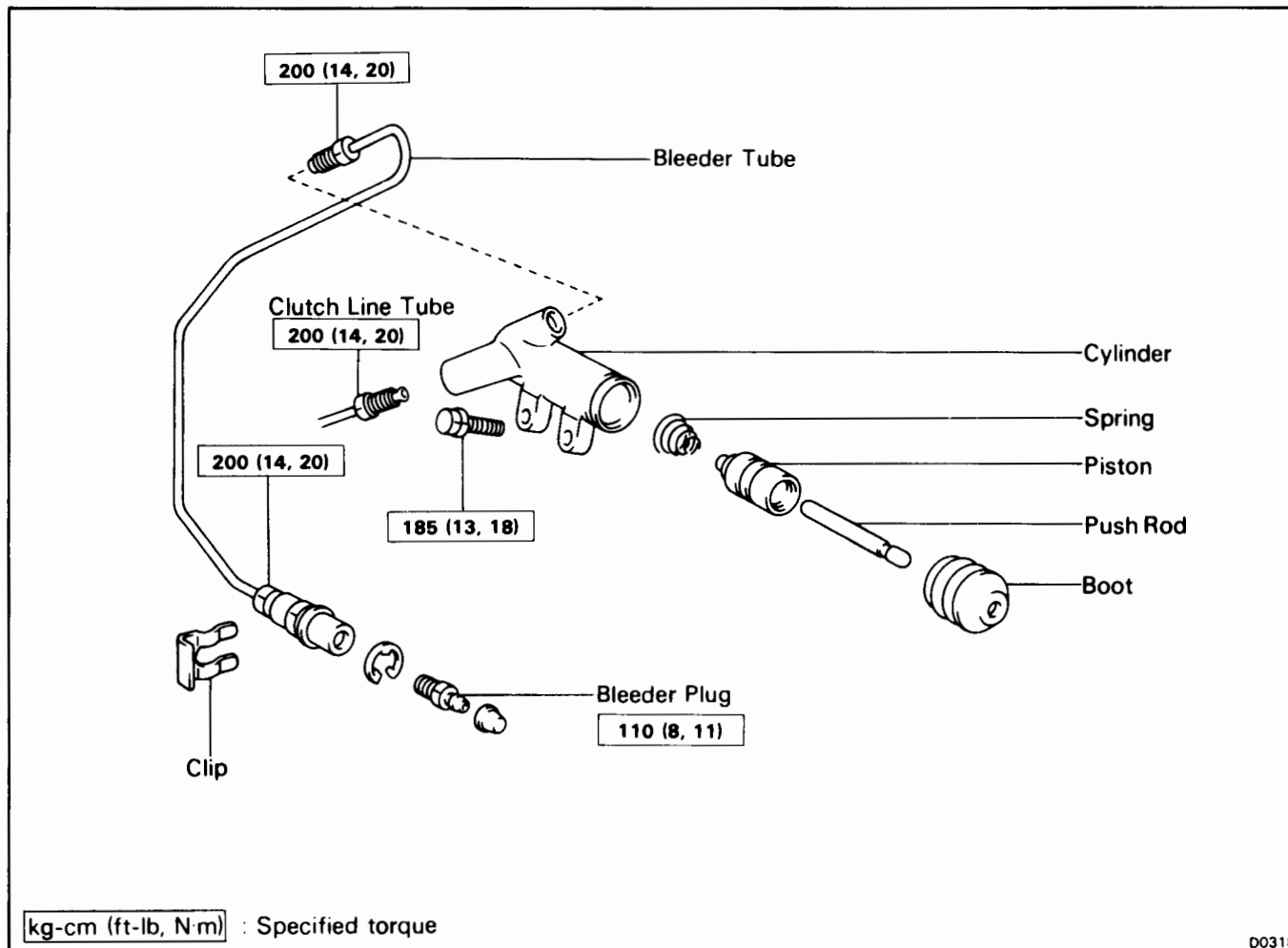
### 6. INSTALL LUGGAGE COMPARTMENT TRIM COVER



### 7. (4A-GZE) INSTALL SPARE WHEEL GUARD

### 8. CHECK AND ADJUST CLUTCH PEDAL (See page CL-3)

## CLUTCH RELEASE CYLINDER COMPONENTS

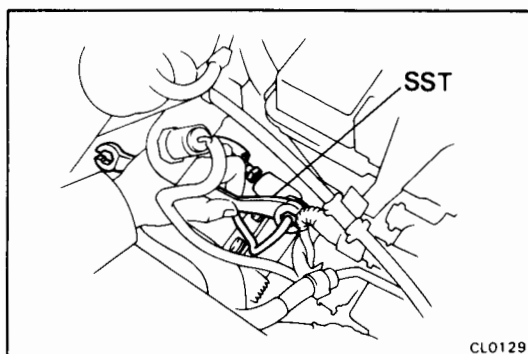


### REMOVAL OF RELEASE CYLINDER

#### 1. DISCONNECT CLUTCH LINE AND BLEEDER TUBES

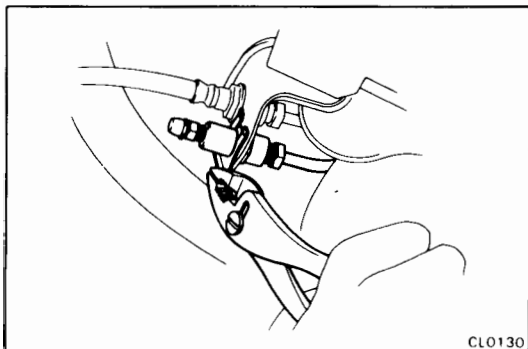
Using SST, disconnect the tubes. Use a container to catch the brake fluid.

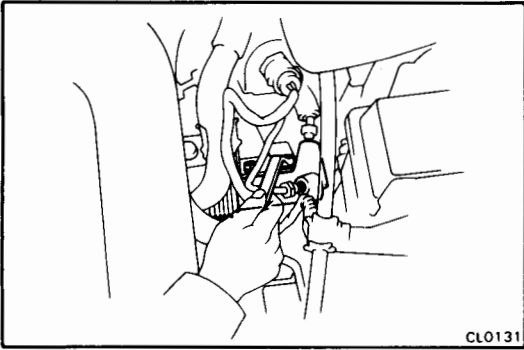
SST 09751-36011



#### 2. REMOVE BLEEDER TUBE WITH BLEEDER PLUG

Remove the clip and bleeder tube with the bleeder plug.

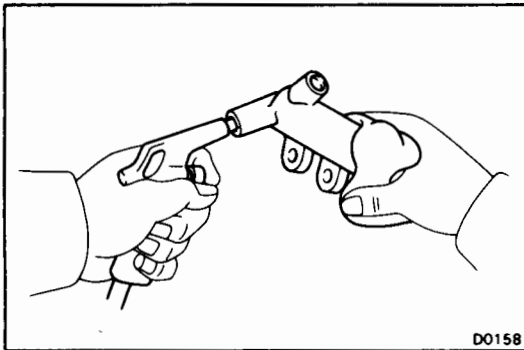




3. **REMOVE TWO BOLTS AND PULL OUT RELEASE CYLINDER**

### DISASSEMBLY OF RELEASE CYLINDER

1. **PULL OUT PUSH ROD**
2. **REMOVE BOOT**



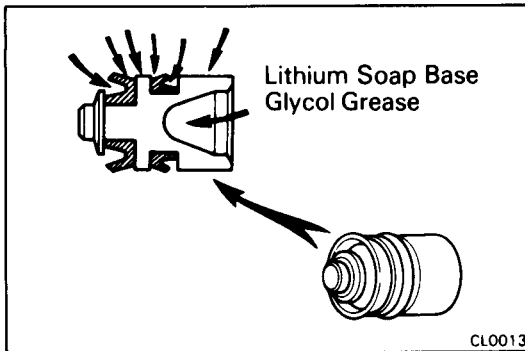
3. **REMOVE PISTON**

Using compressed air, remove the piston and spring from the cylinder.

### INSPECTION OF RELEASE CYLINDER

**NOTE:** Clean the disassembled parts with compressed air.

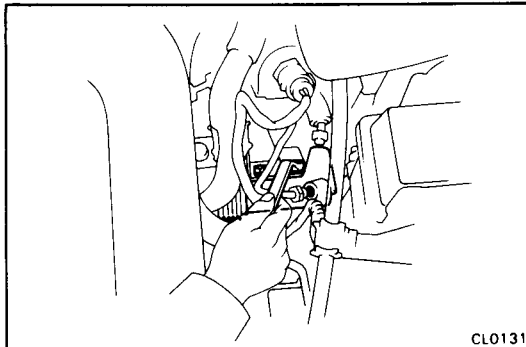
1. **INSPECT RELEASE CYLINDER BORE FOR SCORING OR CORROSION**  
If a problem is found, clean or replace the cylinder.
2. **INSPECT PISTON AND CUPS FOR WEAR, SCORING, CRACKS OR SWELLING**  
If either one requires replacement, use the parts from the cylinder kit.
3. **INSPECT PUSH ROD FOR WEAR OR DAMAGE**  
If necessary, replace the push rod.



## ASSEMBLY OF RELEASE CYLINDER

(See page CL-9)

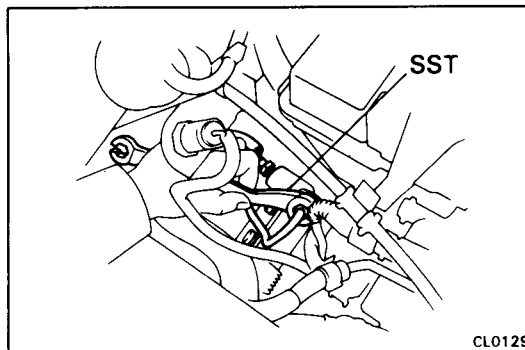
1. COAT PISTON WITH LITHIUM SOAP BASE GLYCOL GREASE, AS SHOWN
2. INSERT SPRING AND PISTON INTO CYLINDER
3. INSTALL BOOT AND INSERT PUSH ROD



## INSTALLATION OF RELEASE CYLINDER

(See page CL-9)

1. INSTALL RELEASE CYLINDER AND TWO BOLTS
2. INSTALL BLEEDER TUBE WITH BLEEDER PLUG



3. CONNECT CLUTCH LINE AND BLEEDER TUBES

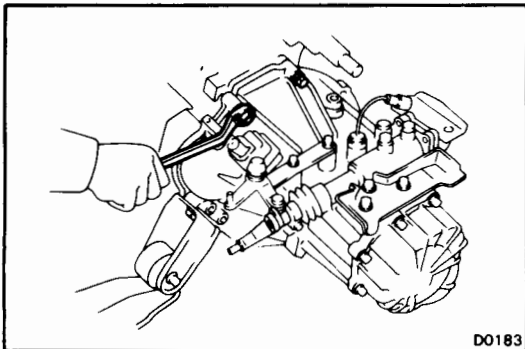
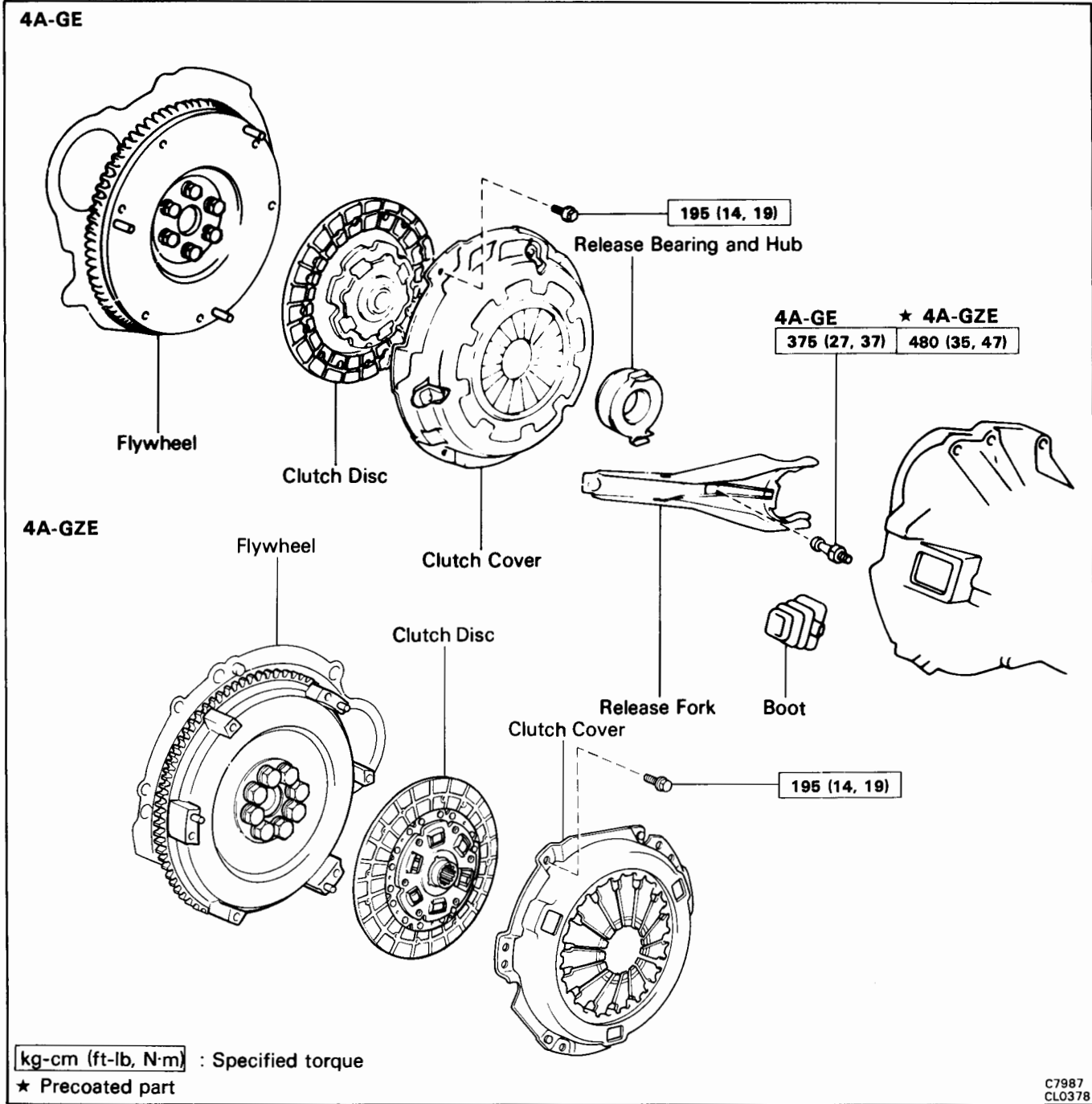
Using SST, connect the tubes.

SST 09751-36011

Torque: 200 kg-cm (14 ft-lb, 20 N·m)

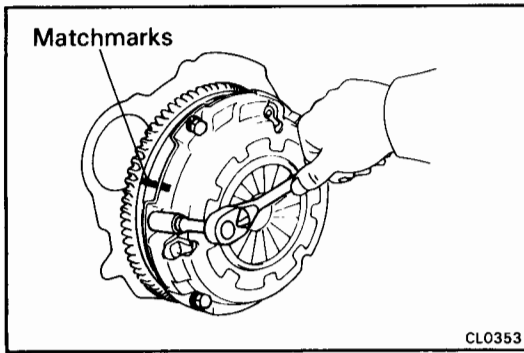
4. FILL CLUTCH RESERVOIR WITH BRAKE FLUID AND BLEED CLUTCH SYSTEM (See page CL-3)
5. CHECK FOR LEAKS

# CLUTCH UNIT COMPONENTS



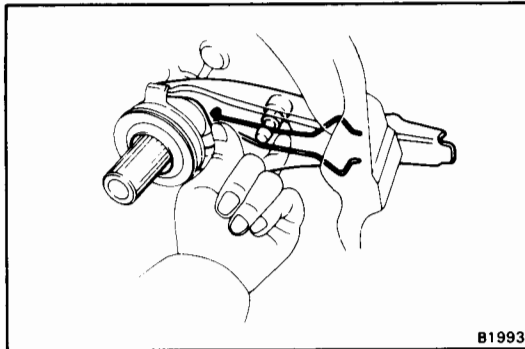
## REMOVAL OF CLUTCH UNIT

1. REMOVE TRANSAXLE FROM ENGINE  
(See page MT-3)



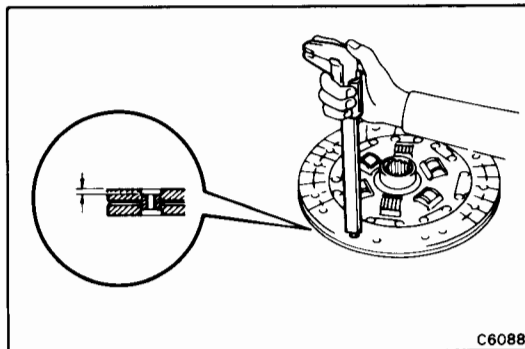
## 2. REMOVE CLUTCH COVER AND DISC

- (a) Place the matchmarks on the clutch cover and flywheel.
- (b) Loosen each set bolt one turn at a time until spring tension is released.
- (c) Remove the set bolts, and pull off the clutch assembly.



## 3. REMOVE RELEASE BEARING, FORK AND BOOT FROM TRANSAXLE

- (a) Remove the bearing assembly together with the fork, and then separate them.
- (b) Remove the boot.



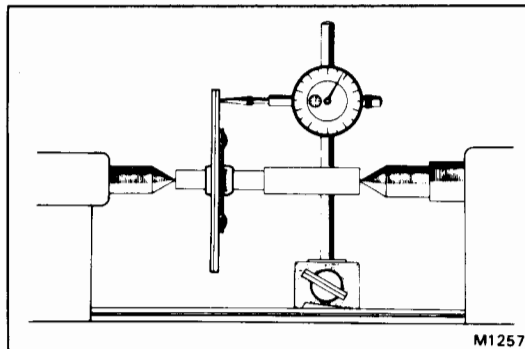
## INSPECTION AND REPAIR OF CLUTCH PARTS

### 1. INSPECT CLUTCH DISC FOR WEAR OR DAMAGE

Using calipers, measure the rivet head depth.

**Minimum rivet depth: 0.3 mm (0.012 in.)**

If a problem is found, replace the clutch disc.

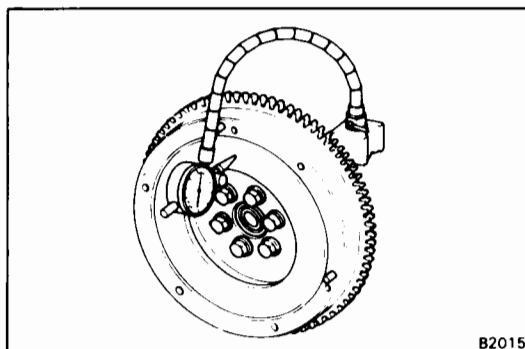


### 2. INSPECT CLUTCH DISC RUNOUT

Using a dial indicator, check the disc runout.

**Maximum runout: 0.8 mm (0.031 in.)**

If runout is excessive, replace the clutch disc.

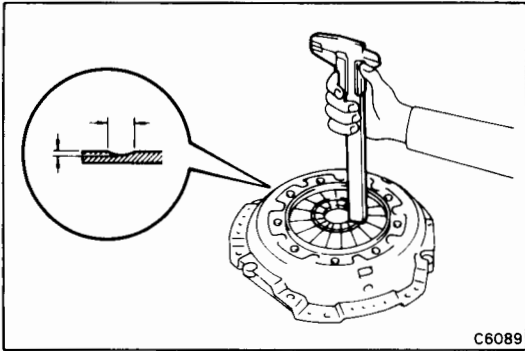


### 3. INSPECT FLYWHEEL RUNOUT

Using a dial indicator, check the flywheel runout.

**Maximum runout: 0.1 mm (0.004 in.)**

If runout is excessive, replace the flywheel.

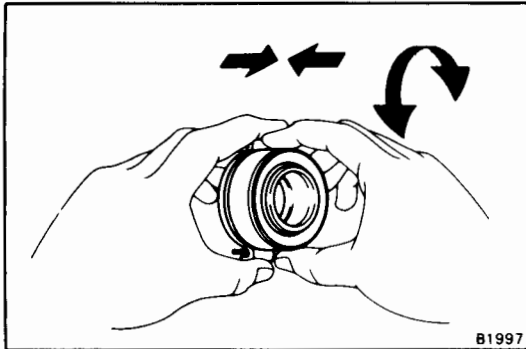


#### 4. INSPECT DIAPHRAGM SPRING FOR WEAR

Using calipers, measure the diaphragm spring for depth and width of wear.

**Maximum: Depth 0.6 mm (0.024 in.)**  
**Width 5.0 mm (0.197 in.)**

If necessary, replace the clutch cover.

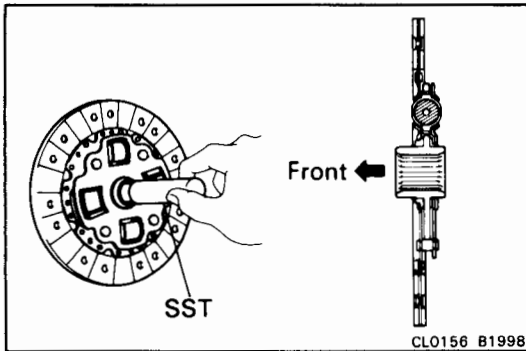


#### 5. INSPECT RELEASE BEARING

Turn the bearing by hand while applying force in the axial direction.

If the bearing sticks or has much resistance, replace the release bearing together with the hub.

**NOTE:** The bearing is permanently lubricated and requires no cleaning or lubrication.



### INSTALLATION OF CLUTCH UNIT

(See page CL-12)

#### 1. INSTALL CLUTCH DISC AND COVER ON FLYWHEEL

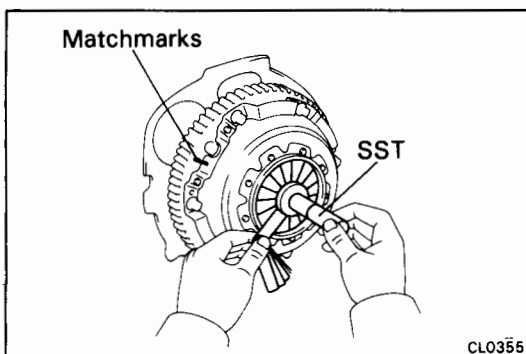
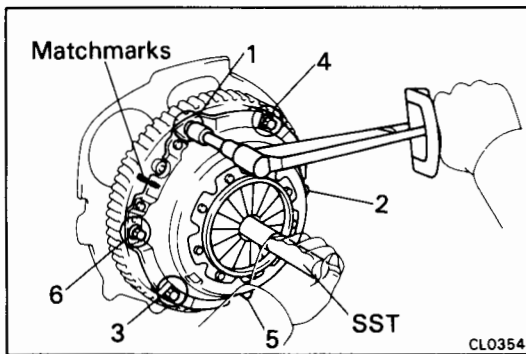
(a) Insert the SST in the clutch disc, and then set them and the cover in position.

SST 09301-32010 (4A-GE)  
 09301-17010 (4A-GZE)

(b) Align the matchmarks and position the clutch cover in place. Tighten the bolts evenly and gradually while pushing the SST. Make several passes around the cover until it is snug. Torque the bolts.

**Torque: 195 kg-cm (14 ft-lb, 19 N·m)**

**NOTE:** Tighten the topmost bolt from the three near the knock pins first.



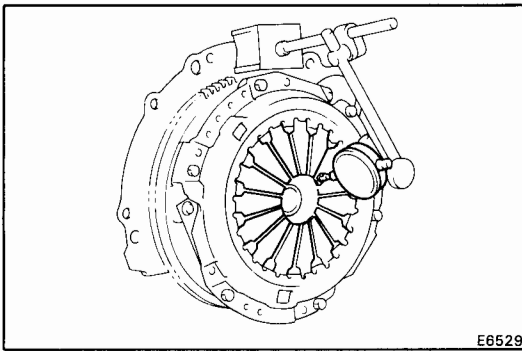
#### 2. CHECK DIAPHRAGM SPRING TIP ALIGNMENT

(4A-GE)

Using SST, check the diaphragm spring tip alignment.

SST 09302-20021

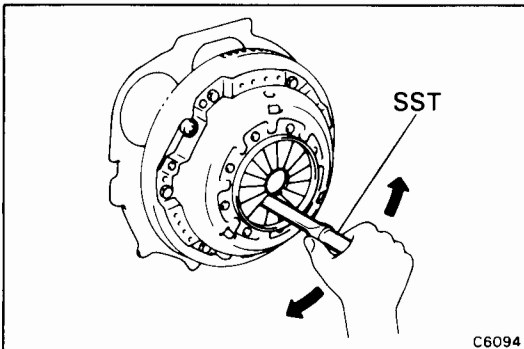
**Maximum non-alignment: 0.5 mm (0.020 in.)**



(4A-GZE)

Using a dial indicator and measuring point, check the diaphragm spring tip alignment.

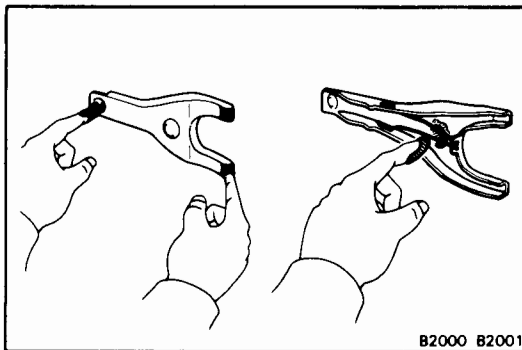
**Maximum non-alignment: 0.5 mm (0.020 in.)**



### 3. IF NECESSARY, ADJUST SPRINGS

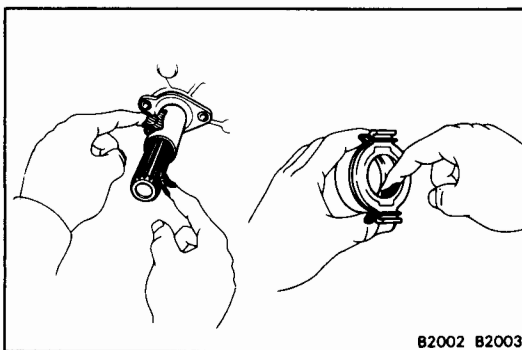
Using SST, adjust the diaphragm spring tip alignment.

SST 09333-00013

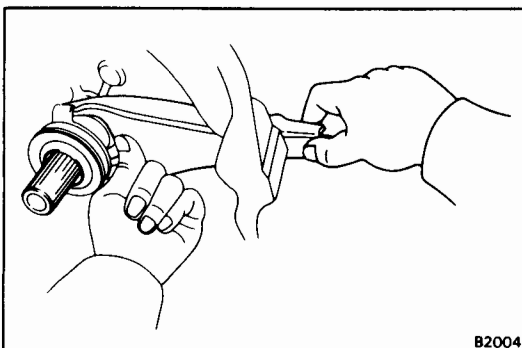


### 4. APPLY MOLYBDENUM DISULPHIDE LITHIUM BASE GREASE (NLGI NO. 2) TO FOLLOWING PARTS:

- (a) Release fork and hub contact point
- (b) Release fork and push contact point
- (c) Release fork pivot point



- (d) Clutch disc spline
- (e) Release bearing hub inside groove



### 5. INSTALL RELEASE BEARING, FORK AND BOOT FROM TRANSAXLE

- (a) Install the bearing assembly to the fork, and then install them to the transaxle.
- (b) Install the boot.

### 6. INSTALL TRANSAXLE TO ENGINE (See page MT-37)



# MANUAL TRANSAXLE

	Page
PRECAUTIONS .....	MT-2
TROUBLESHOOTING .....	MT-2
REMOVAL OF TRANSAXLE .....	MT-3
C52 TRANSAXLE .....	MT-7
Transmission .....	MT-7
Components .....	MT-7
Disassembly of Transmission .....	MT-10
Inspection of Transmission Components ...	MT-18
Assembly of Transmission .....	MT-24
Differential .....	MT-37
E51 TRANSAXLE .....	MT-38
Components .....	MT-38
Removal of Component Parts .....	MT-41
Inspection of Component Parts .....	MT-49
Input Shaft Assembly .....	MT-53
Output Shaft Assembly .....	MT-59
Oil Pump Assembly .....	MT-65
Shift and Select Lever Assembly .....	MT-70
Differential .....	MT-74
Installation of Component Parts .....	MT-84
INSTALLATION OF TRANSAXLE .....	MT-96
SHIFT LEVER AND CONTROL CABLE .....	MT-100

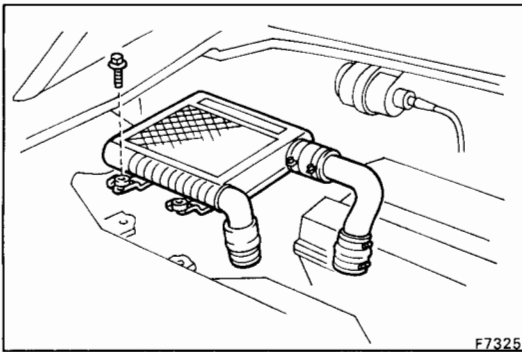
## PRECAUTIONS

When working with FIPG material, you must observe the following.

- Using a razor blade and gasket scraper, remove all the oil packing (FIPG) material from the gasket surfaces.
- Thoroughly clean all components to remove all the loose material.
- Clean both sealing surfaces with a non-residue solvent.
- Apply the seal packing in approx. 1 mm (0.04 in.) bead along the sealing surface.
- Parts must be assembled within 10 minutes of application. Otherwise, the packing (FIPG) material must be removed and reapplied.

## TROUBLESHOOTING

Problem	Possible cause	Remedy	Page
Noise	Transmission or differential faulty	Disassemble and inspect transmission or differential	MT-7 or 37
	Wrong oil grade	Replace oil	MT-38
	Oil level low	Add oil	
Oil leakage	Oil level too high	Drain oil	MT-7 or MT-38
	Oil seal, O-ring or gasket worn or damaged	Replace oil seal, O-ring or gasket	
Hard to shift or will not shift	Control cable faulty	Replace control cable	MT-7 or MT-38
	Transmission faulty	Disassemble and inspect transmission	
Jumps out of gear	Transmission faulty	Disassemble and inspect transmission	MT-7 or MT-38



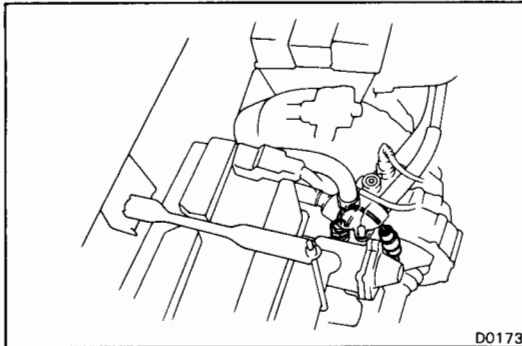
## REMOVAL OF TRANSAXLE

1. REMOVE NEGATIVE BATTERY CABLE

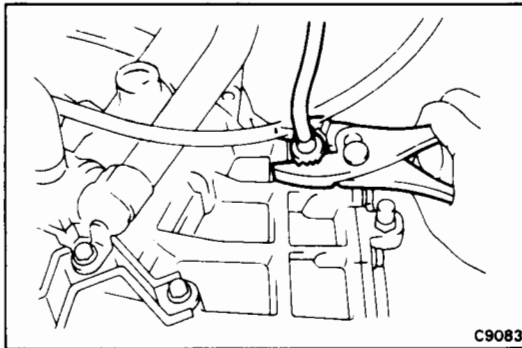
2. DRAIN OUT GEAR OIL

3. (E51 M/T) REMOVE INTERCOOLER

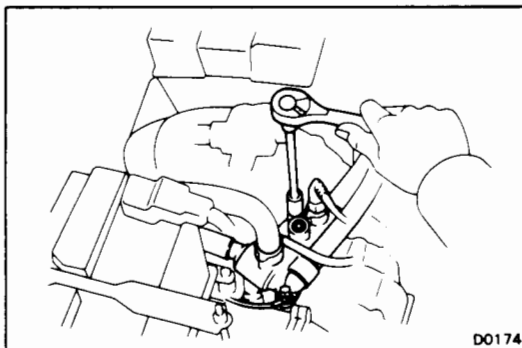
Disconnect the two hose clamps, remove the four bolts and intercooler.



4. DISCONNECT BACK-UP LIGHT SWITCH CONNECTOR



5. REMOVE SPEEDOMETER CABLE



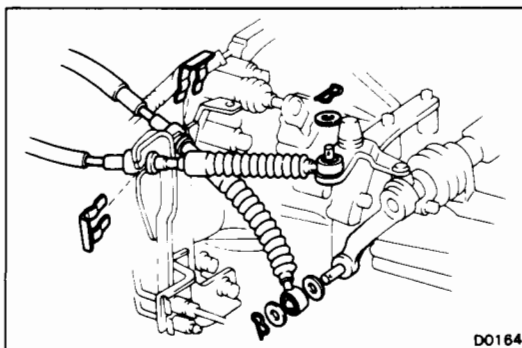
6. REMOVE WATER INLET

(a) Remove the bolts holding the water inlet to the transaxle.

(b) Remove the water inlet from the transaxle.

7. REMOVE ENGINE UNDER COVER

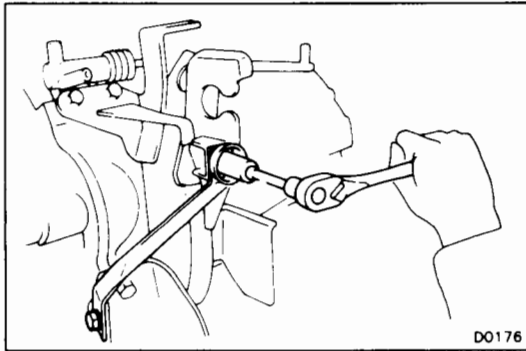
8. REMOVE FUEL TANK PROTECTOR



9. DISCONNECT CONTROL CABLES

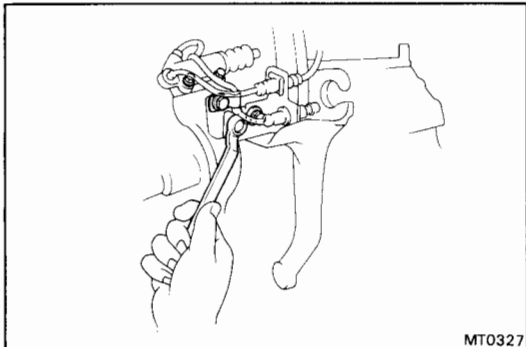
(a) Remove the two clips.

(b) Remove the two retainers and disconnect two control cables.

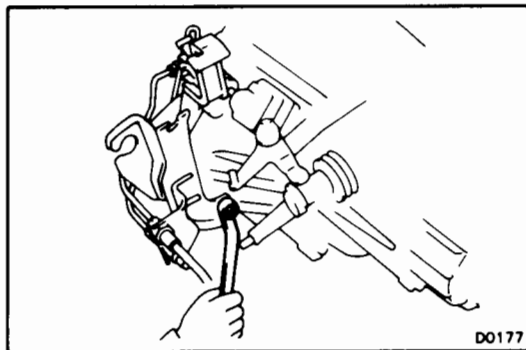


### 10. REMOVE CONTROL CABLE BRACKET AND CLUTCH RELEASE CYLINDER

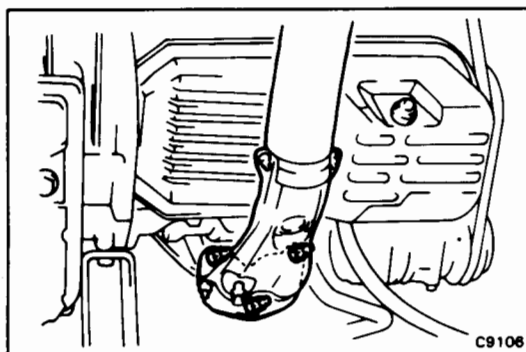
- (a) Remove the water hose clamp from control cable bracket.
- (b) (C52 M/T)  
Remove the No. 2 control cable bracket.



- (c) (E51 M/T)  
Remove the clutch release cylinder pipe bracket and clamp.

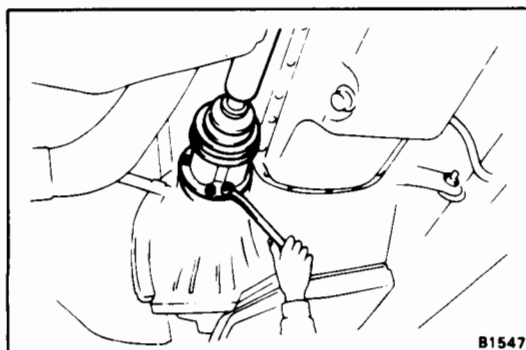


- (d) (C52 M/T)  
Remove the control cable bracket and clutch release cylinder.



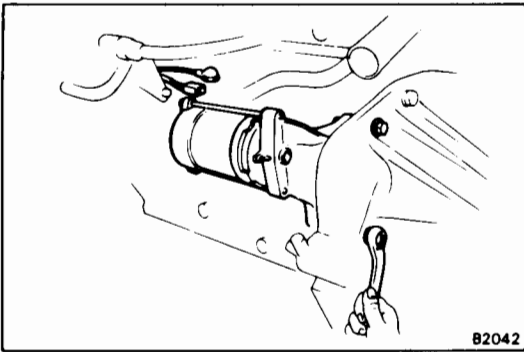
### 11. REMOVE EXHAUST PIPE ASSEMBLY

- (a) Disconnect the exhaust pipe from the exhaust manifold.
- (b) Remove the front bracket from the body.
- (c) Remove the exhaust pipe assembly from the rear bracket.

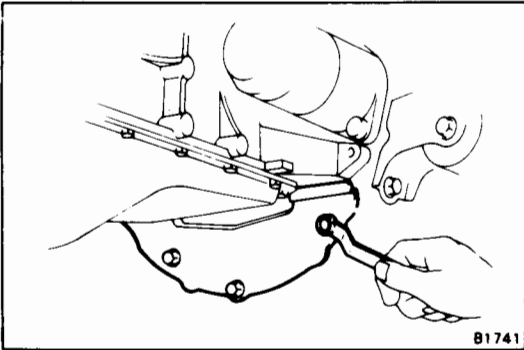
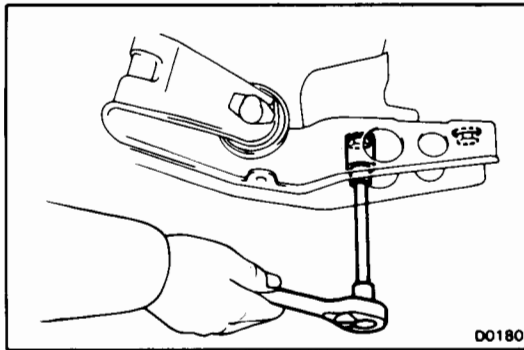


### 12. DISCONNECT DRIVE SHAFT FROM SIDE GEAR SHAFT

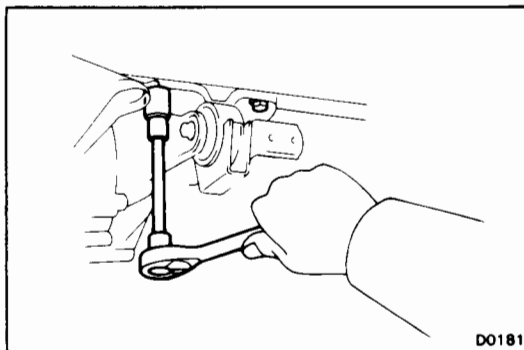
- (a) Remove the transaxle protector.
- (b) Disconnect the drive shaft from the side gear shaft.

**13. REMOVE STARTER**

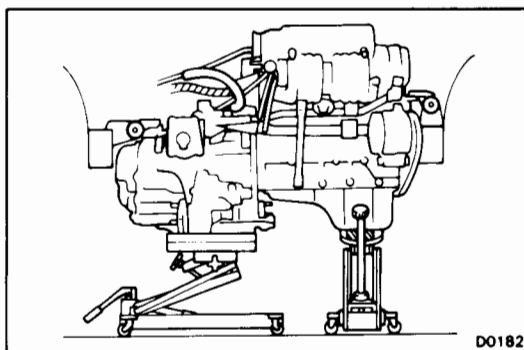
- (a) Disconnect the cable and connector.
- (b) Remove the starter with the two bolts.

**14. REMOVE NO. 2 ENGINE REAR PLATE****15. REMOVE FRONT ENGINE MOUNTING**

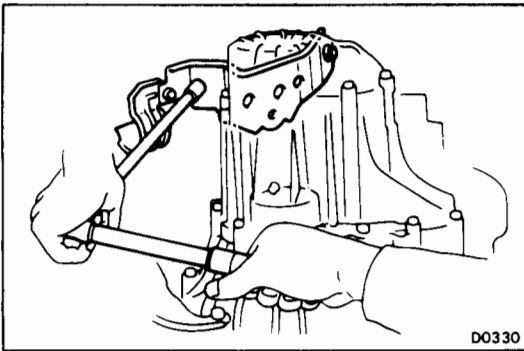
Remove the front engine mounting from the body.

**16. REMOVE REAR ENGINE MOUNTING**

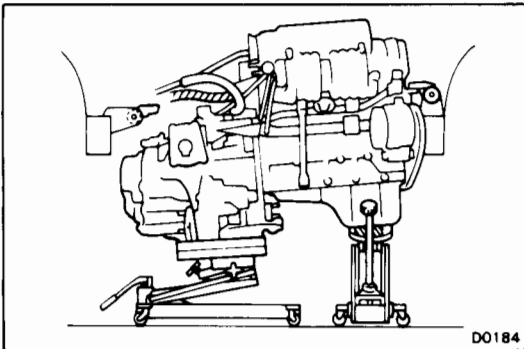
Remove the rear engine mounting from the body.

**17. REMOVE LEFT ENGINE MOUNTING**

- (a) Raise the transaxle and engine slightly, with a jack and wooden block in-between.

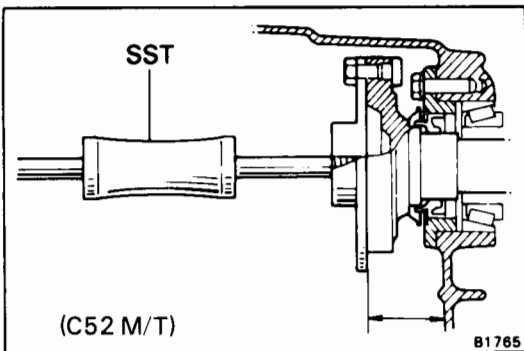


- (b) Disconnect the left engine mounting.



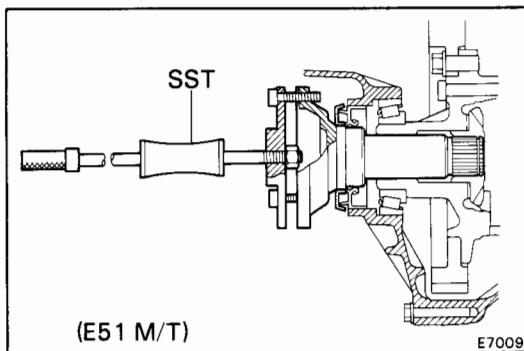
### 18. REMOVE TRANSAXLE

- (a) Disconnect the transaxle mounting bolts from the engine.  
 (b) Lower the engine left side and remove the transaxle from the engine.

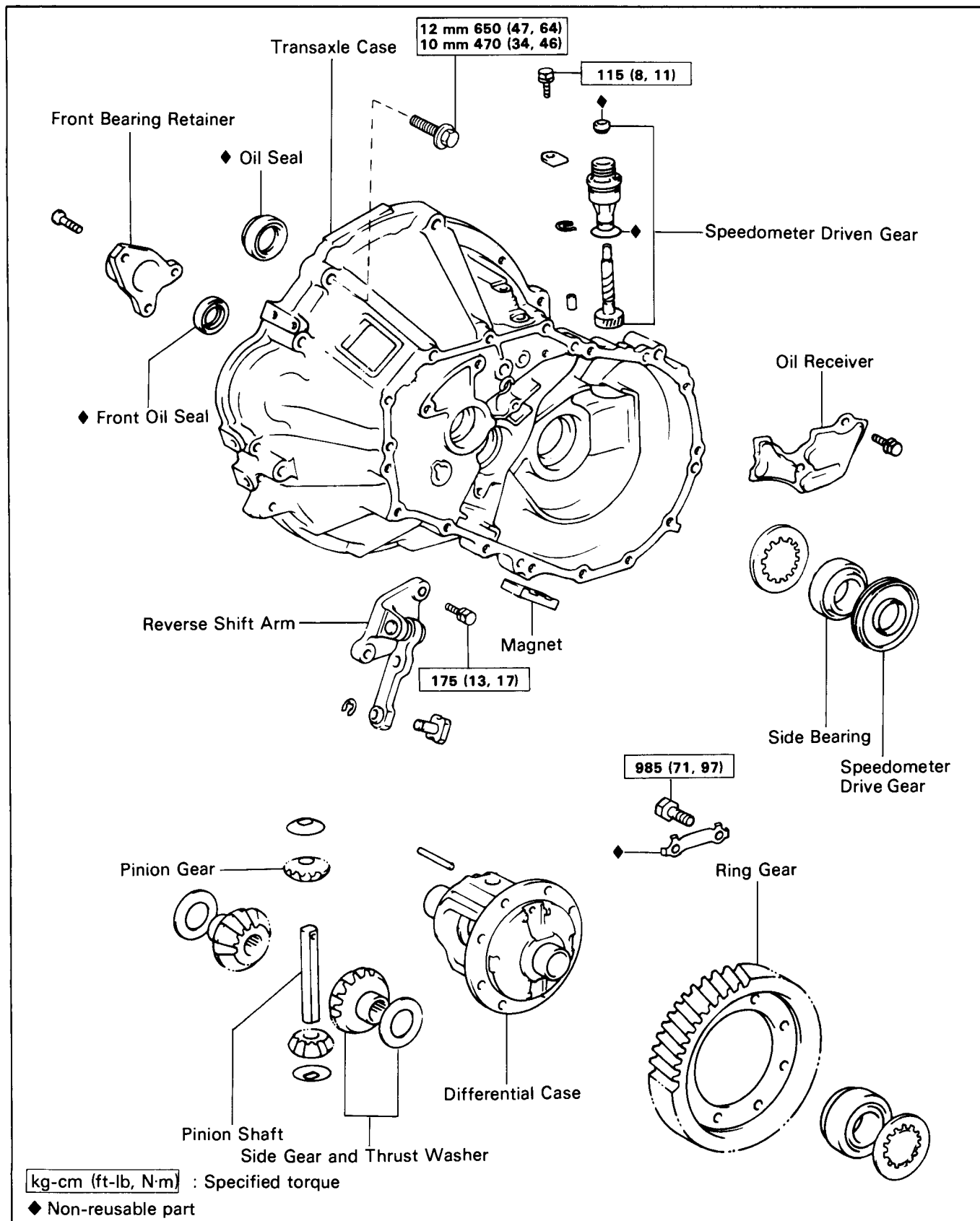


### 19. REMOVE SIDE GEAR SHAFT FROM TRANSAXLE

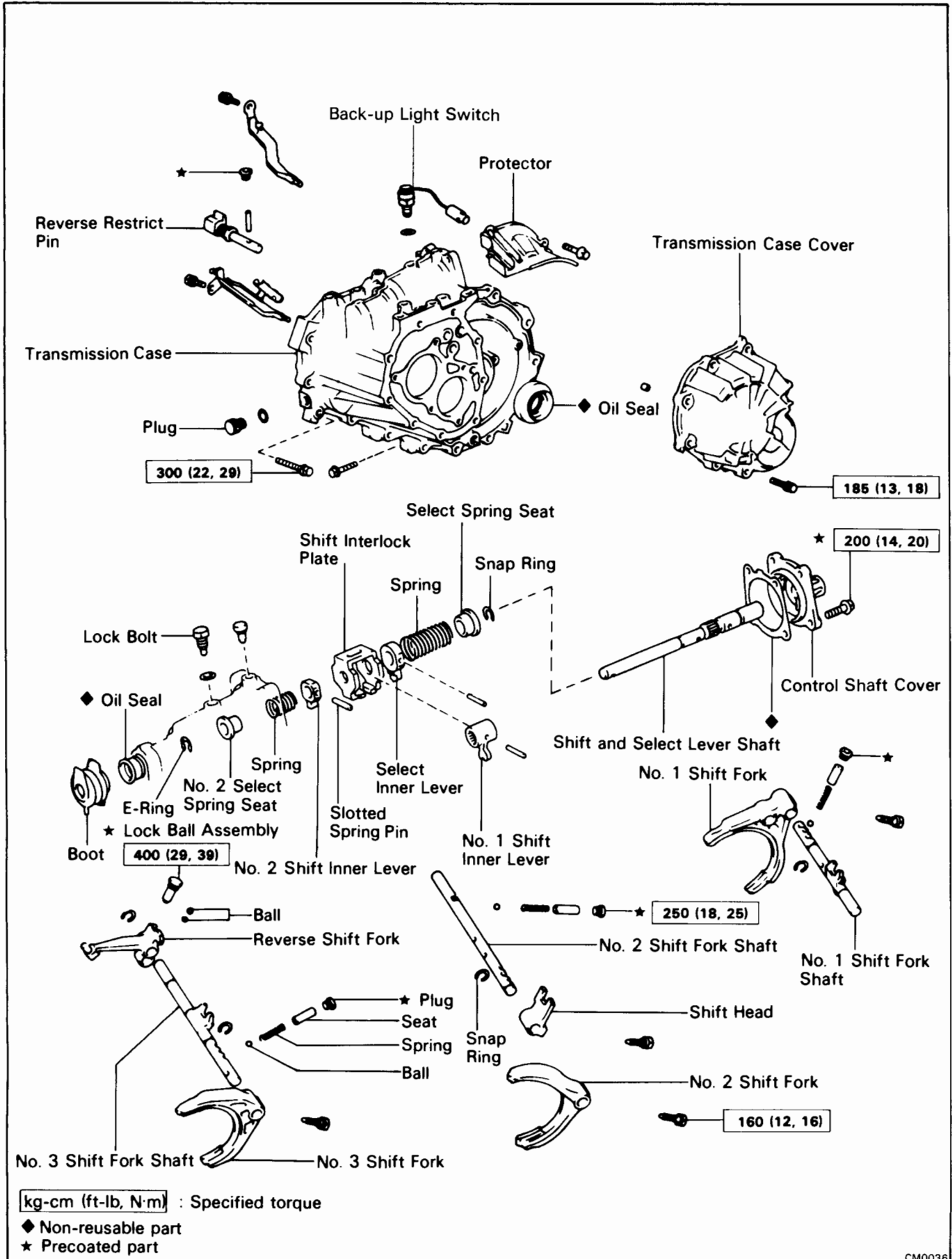
- (a) In order to install the side gear shaft, push the side gear shaft to the differential. Measure and note the distance between the transaxle case and side gear shaft.  
 (b) Using SST, drive out the side gear shaft.  
 SST 09520-32012



# C52 TRANSAXLE Transmission COMPONENTS

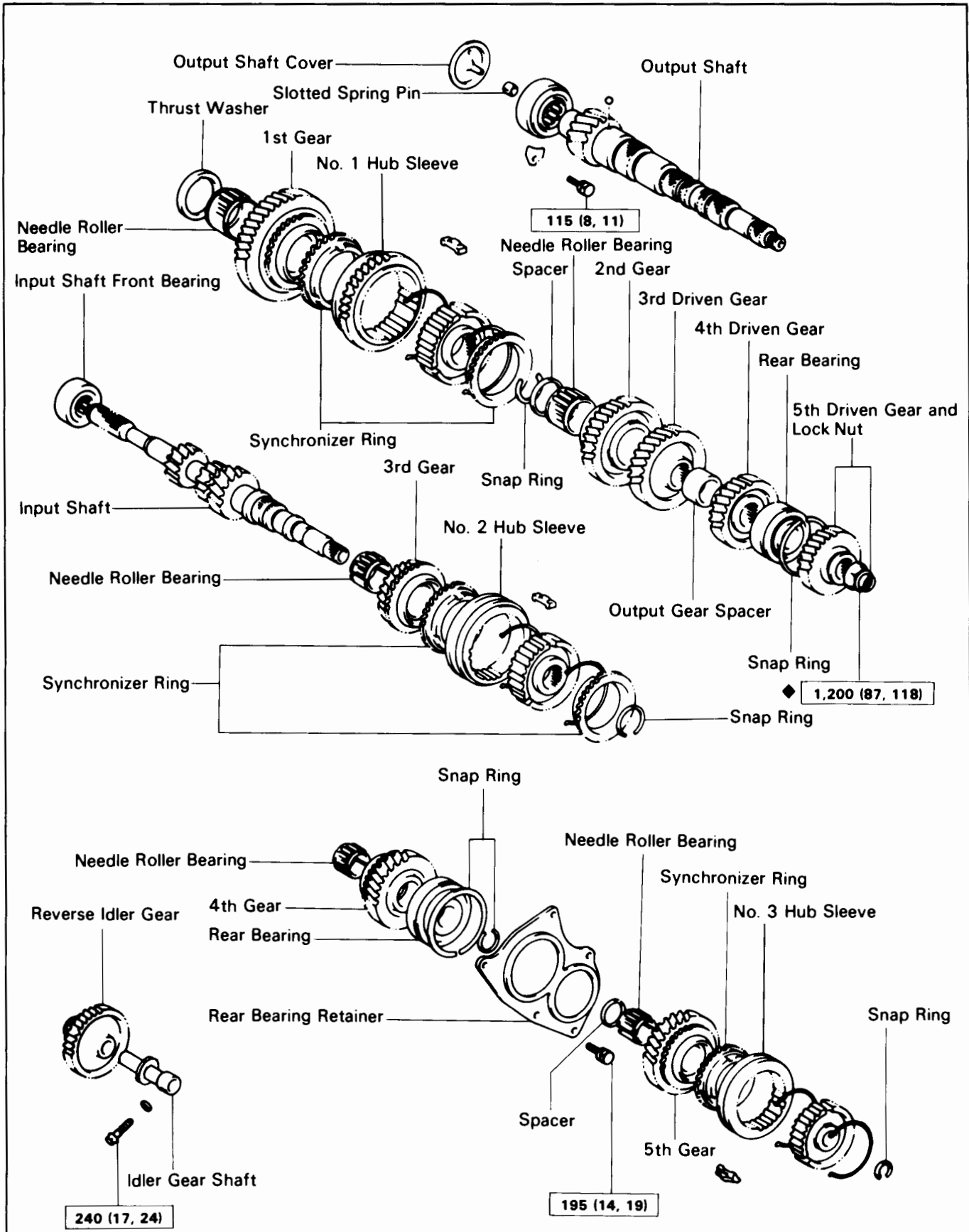


COMPONENTS (Cont'd)



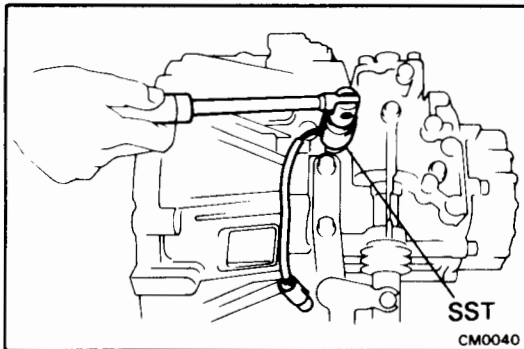


COMPONENTS (Cont'd)



kg-cm (ft-lb, N·m) : Specified torque

◆ Non-reusable part



## DISASSEMBLY OF TRANSMISSION

(See pages MT-7 to 9)

### 1. REMOVE RELEASE FORK, BEARING AND SPEEDOMETER DRIVEN GEAR

### 2. REMOVE BACK-UP LIGHT SWITCH

Using SST, remove the back-up light switch.  
SST 09817-16011

### 3. REMOVE FRONT BEARING RETAINER

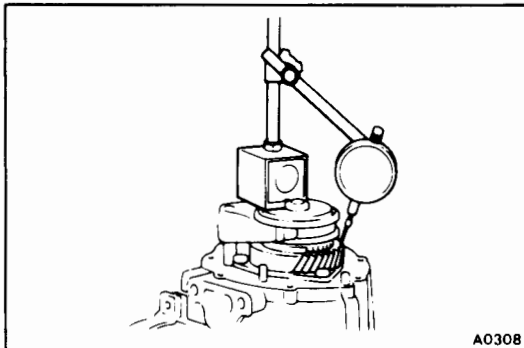
### 4. REMOVE TRANSMISSION CASE COVER

### 5. MEASURE FIFTH GEAR THRUST CLEARANCE

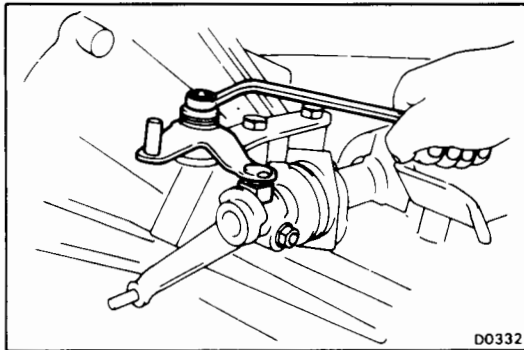
Using a dial indicator, measure the thrust clearance.

**Standard clearance:** 0.10 – 0.57 mm  
(0.0039 – 0.0224 in.)

**Maximum clearance:** 0.65 mm (0.0256 in.)

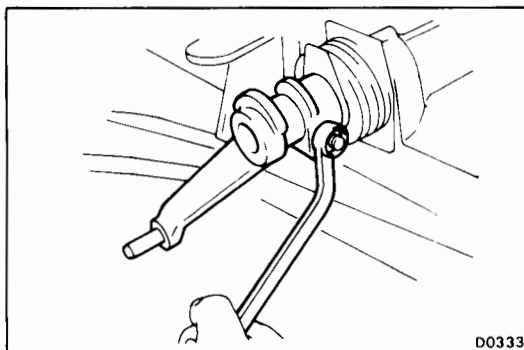


### 6. REMOVE SELECTING BELLCRANK

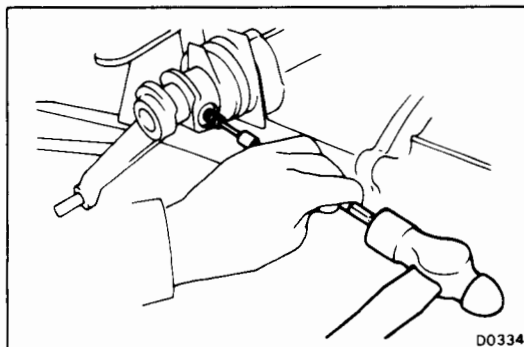


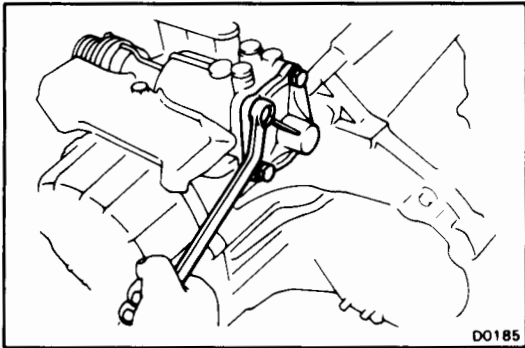
### 7. REMOVE SHIFT LEVER

(a) Remove the shift lever set nut.

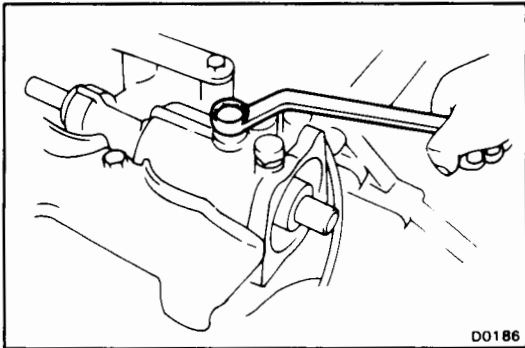
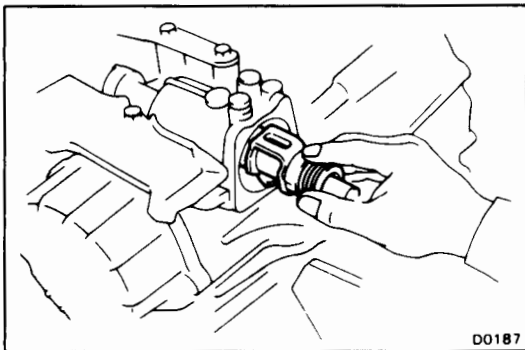
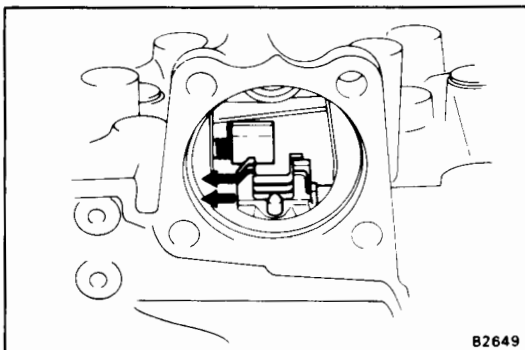


(b) Using a pin punch and hammer, tap out the lock pin.

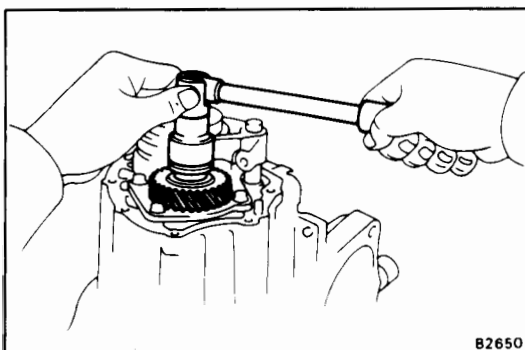


**8. REMOVE CONTROL SHAFT RETAINER**

Remove the bolts holding the control shaft retainer.

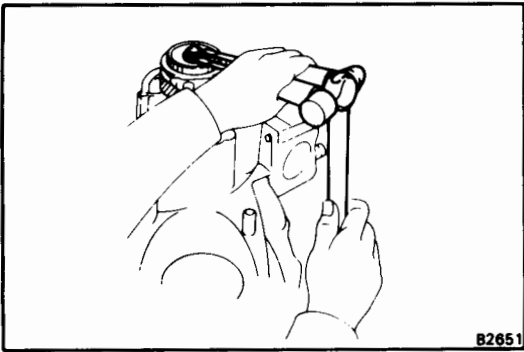
**9. REMOVE LOCK BOLT****10. REMOVE SHIFT AND SELECT LEVER SHAFT ASSEMBLY****11. REMOVE LOCK NUT**

(a) Engage the gear double meshing.



(b) Remove the lock nut.

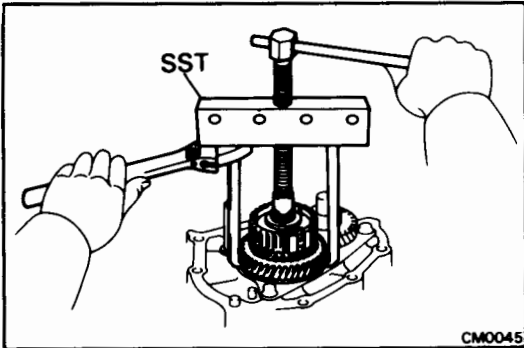
(c) Disengage the gear double meshing.



B2651

## 12. REMOVE NO. 3 HUB SLEEVE ASSEMBLY AND NO. 3 SHIFT FORK

- (a) Using two screwdrivers and a hammer, tap out the snap ring.



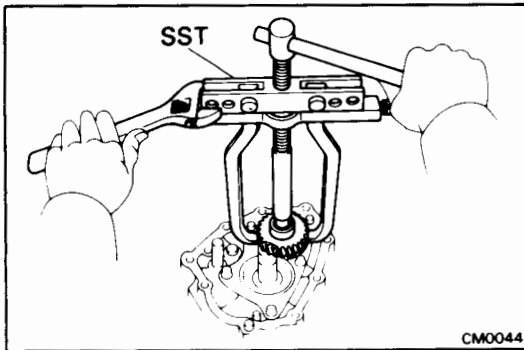
CM0045

- (b) Remove the bolt from No. 3 shift fork.

- (c) Remove No. 3 hub sleeve and No. 3 shift fork.

- (d) Using SST, remove the 5th gear, No. 3 hub and synchronizer ring.

SST 09213-36020



CM0044

## 13. REMOVE NEEDLE ROLLER BEARING AND SPACER

## 14. REMOVE FIFTH DRIVEN GEAR

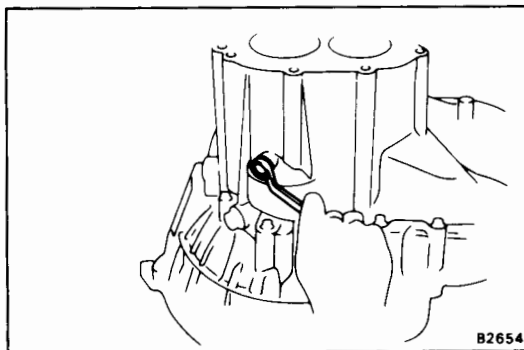
- Using SST, remove the 5th driven gear.

SST 09950-20017

## 15. REMOVE REAR BEARING RETAINER

## 16. REMOVE BEARING SNAP RINGS

- Using snap ring pliers, remove the two snap rings.

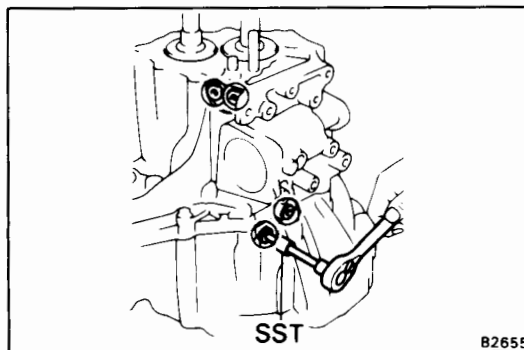


B2654

## 17. REMOVE REVERSE IDLER GEAR SHAFT LOCK BOLT

## 18. REMOVE SNAP RING FROM NO. 2 SHIFT FORK SHAFT

- Using two screwdrivers and a hammer, tap out the snap ring.



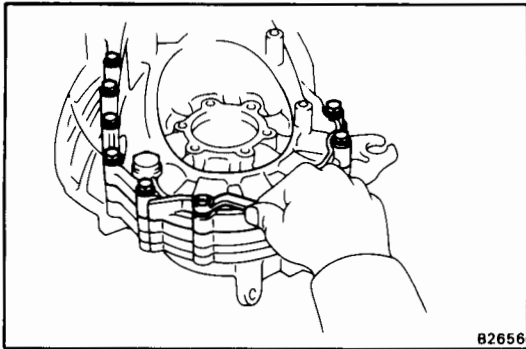
B2655

## 19. REMOVE PLUG, SEAT, SPRING, BALL AND LOCK BALL ASSEMBLY

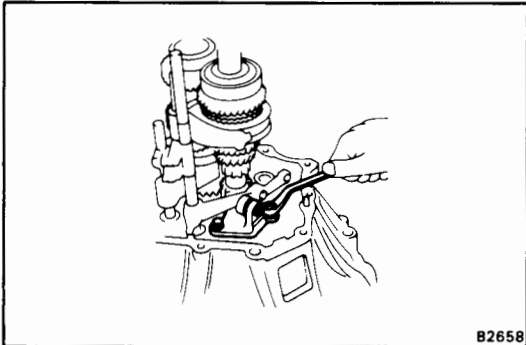
- (a) Using SST, remove the three plugs and the lock ball assembly.

SST 09313-30021

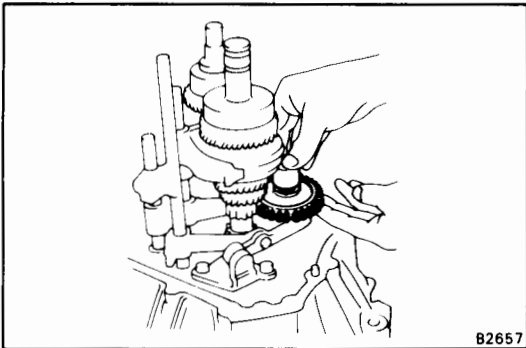
- (b) Using a magnetic finger, remove the three seats, springs and balls.

**20. REMOVE TRANSMISSION CASE**

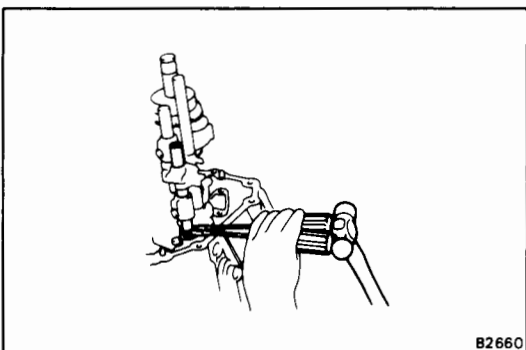
Remove the sixteen bolts and tap off the case with a plastic hammer.

**21. REMOVE REVERSE SHIFT ARM BRACKET**

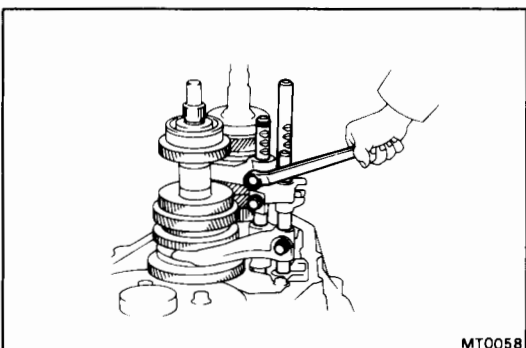
Remove the two bolts and pull off the bracket.

**22. REMOVE REVERSE IDLER GEAR AND SHAFT**

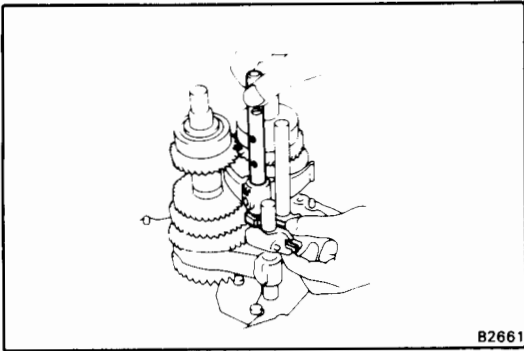
Pull out the shaft.

**23. REMOVE SHIFT FORKS AND SHIFT FORK SHAFTS**

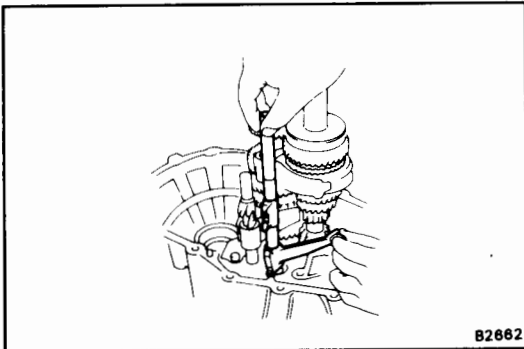
(a) Using two screwdrivers and a hammer, tap out the three snap rings.



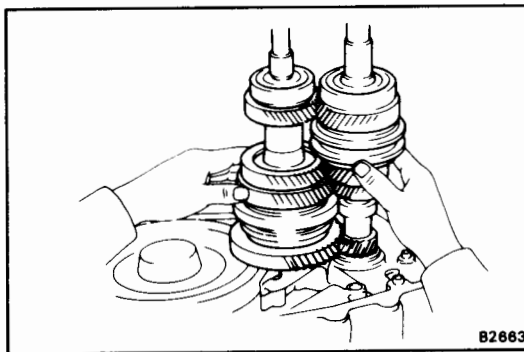
(b) Remove the three set bolts.



- (c) Remove No. 2 fork shaft and shift head.
- (d) Using a magnetic finger, remove the two balls.



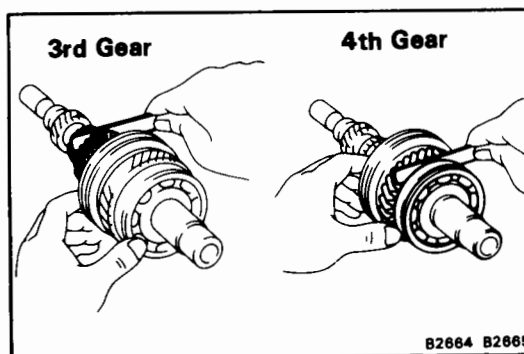
- (e) Remove No. 3 fork shaft and reverse shift fork.
- (f) Pull out No. 1 fork shaft.
- (g) Remove No. 1 and No. 2 shift forks.



**24. REMOVE INPUT AND OUTPUT SHAFT TOGETHER FROM TRANSAXLE CASE**

**25. REMOVE DIFFERENTIAL ASSEMBLY**

**26. REMOVE MAGNET AND OIL RECEIVER**



**27. MEASURE THIRD AND FOURTH GEAR THRUST CLEARANCE**

Using a feeler gauge, measure the thrust clearance.

**Standard clearance:**

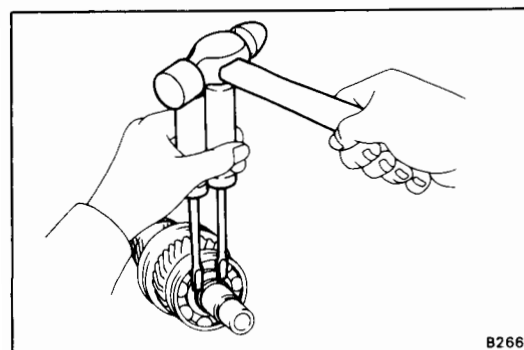
3rd gear	0.10 – 0.35 mm (0.0039 – 0.0138 in.)
4th gear	0.10 – 0.55 mm (0.0039 – 0.0217 in.)

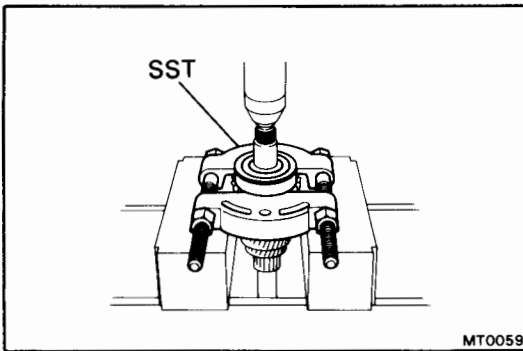
**Maximum clearance:**

3rd gear	0.40 mm (0.0157 in.)
4th gear	0.60 mm (0.0236 in.)

**28. REMOVE SNAP RING FROM INPUT SHAFT**

Using two screwdrivers and a hammer, tap out the snap ring.



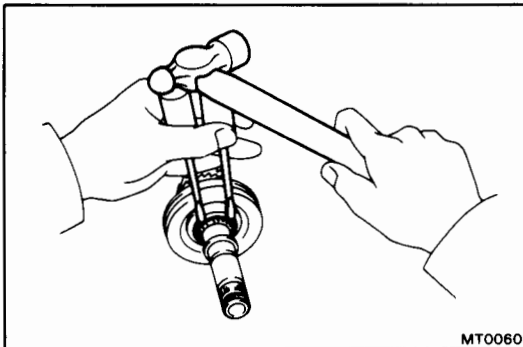


**29. REMOVE RADIAL BALL BEARING, FOURTH GEAR, NEEDLE ROLLER BEARINGS AND SYNCHRONIZER RING FROM INPUT SHAFT**

(a) Using SST and a press, remove the radial ball bearing.

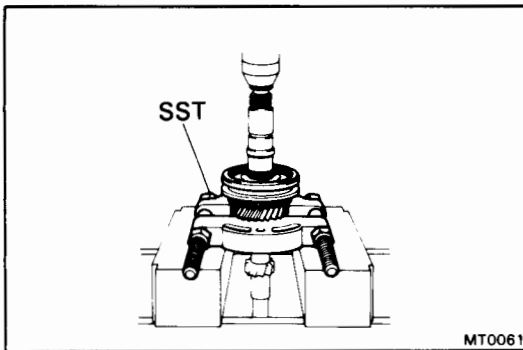
SST 09950-00020

(b) Remove the 4th gear, needle roller bearings and synchronizer ring.



**30. REMOVE SNAP RING**

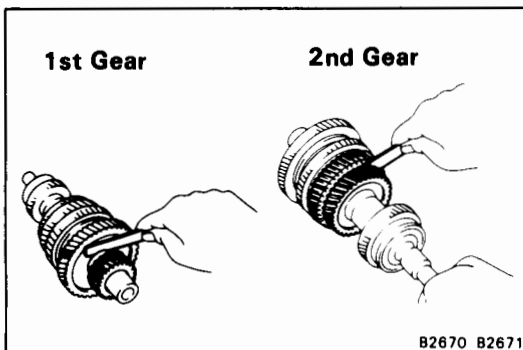
Using two screwdrivers and a hammer, tap out the snap ring.



**31. REMOVE NO. 2 HUB SLEEVE ASSEMBLY, THIRD GEAR, SYNCHRONIZER RING AND NEEDLE ROLLER BEARINGS**

Using SST and a press, remove No. 2 hub sleeve, 3rd gear, synchronizer ring and needle roller bearings.

SST 09950-00020



**32. MEASURE FIRST AND SECOND GEAR THRUST CLEARANCE**

Using a feeler gauge, measure the thrust clearance.

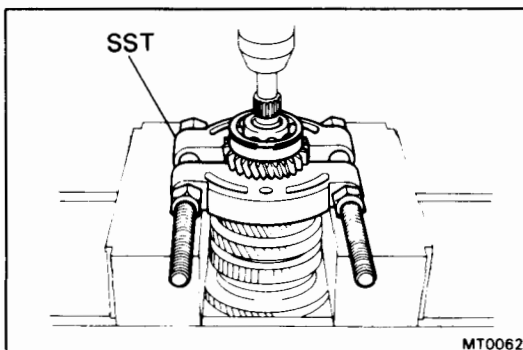
**Standard clearance:**

1st gear 0.10 – 0.40 mm  
(0.0039 – 0.0157 in.)

2nd gear 0.10 – 0.45 mm  
(0.0039 – 0.0177 in.)

**Maximum clearance:**

1st gear 0.45 mm (0.0177 in.)  
2nd gear 0.50 mm (0.0197 in.)

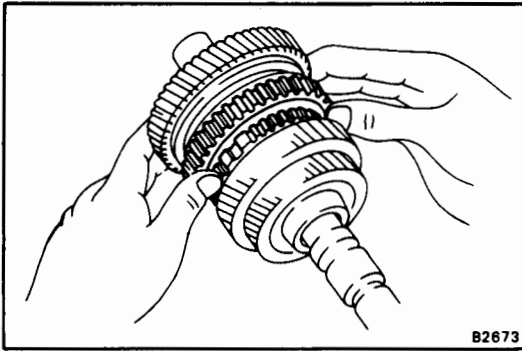


**33. REMOVE RADIAL BALL BEARING, FOURTH DRIVEN GEAR AND SPACER FROM OUTPUT SHAFT**

(a) Using SST and a press, remove the radial ball bearing and 4th driven gear.

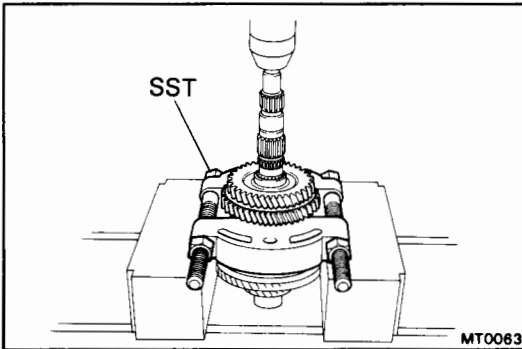
SST 09950-00020

(b) Remove the spacer.



**34. REMOVE THIRD DRIVEN GEAR, SECOND GEAR, NEEDLE ROLLER BEARING, SPACER AND SYNCHRONIZER RING**

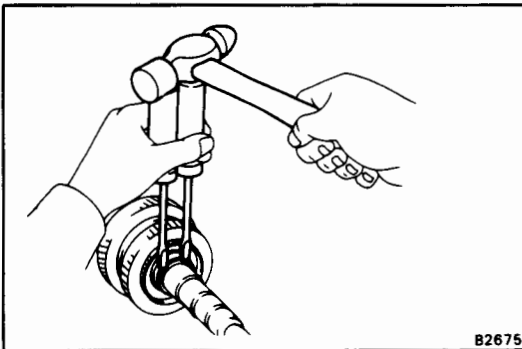
(a) Shift No. 1 hub sleeve into the 1st gear.



(b) Using SST and a press, remove the 3rd driven gear and 2nd gear.

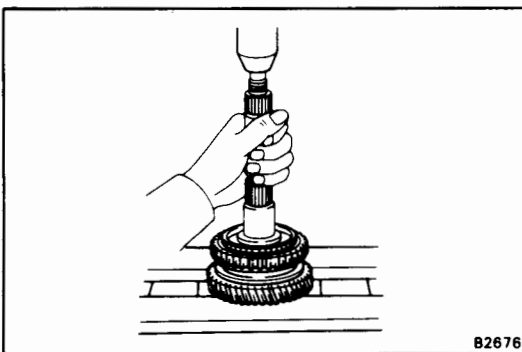
SST 09950-00020

(c) Remove the needle roller bearing, spacer and synchronizer ring.



**35. REMOVE SNAP RING**

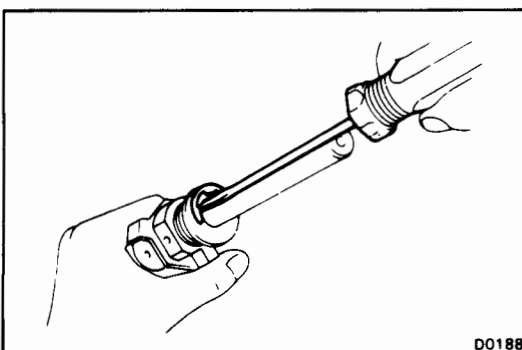
Using two screwdrivers and a hammer, tap out the snap ring.



**36. REMOVE NO. 1 HUB SLEEVE ASSEMBLY, FIRST GEAR, SYNCHRONIZER RING, NEEDLE ROLLER BEARING, THRUST WASHER AND LOCKING BALL**

(a) Using a press, remove No. 1 hub sleeve, 1st gear and synchronizer ring.

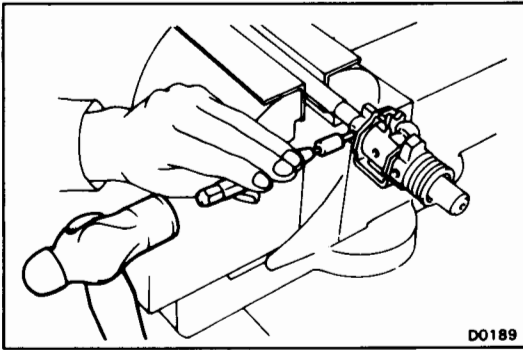
(b) Remove the needle roller bearing, thrust washer and locking ball.



**37. DISASSEMBLE SHIFT AND SELECT LEVER SHAFT ASSEMBLY**

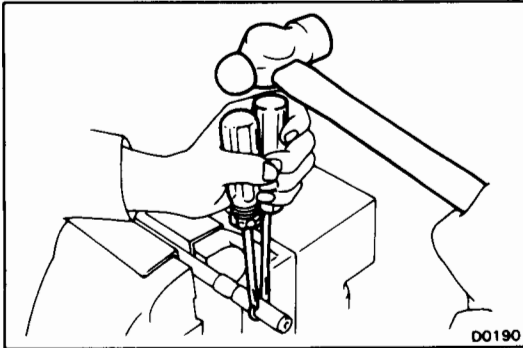
(a) Remove the E-ring and compression spring.



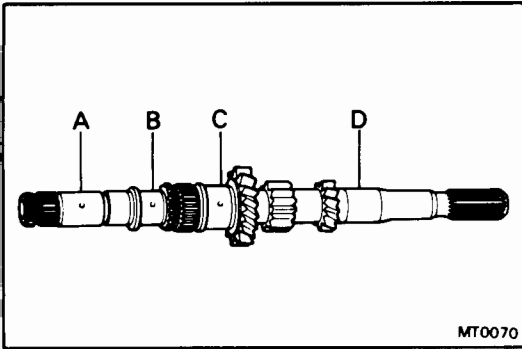


(b) Using a pin punch and hammer, drive out the three slotted spring pins from shift inner levers and select inner lever.

(c) Remove the No. 1 and No. 2 shift inner levers, shift interlock plate, select inner lever, compression spring and spring seat.



(d) Using two screwdrivers and a hammer, tap out the snap ring from the lever shaft.



MT0070

## INSPECTION OF TRANSMISSION COMPONENTS

### 1. INSPECT INPUT SHAFT

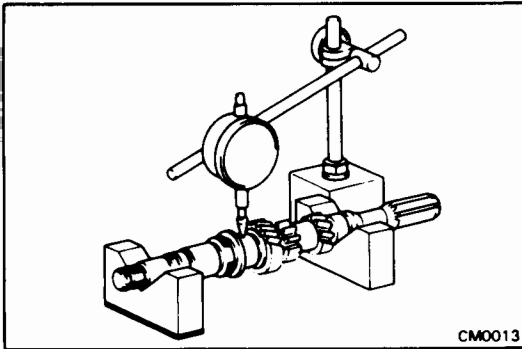
- (a) Check the input shaft for wear or damage.
- (b) Using a micrometer, measure the outer diameter of the input shaft journal surface.

#### Minimum outer diameter:

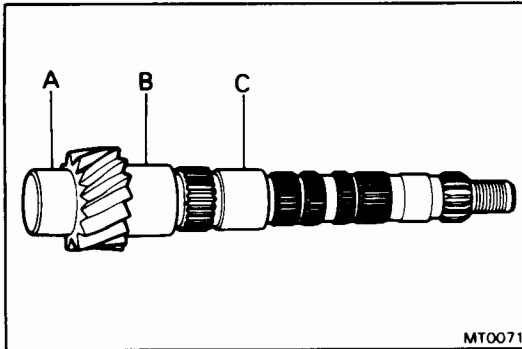
Part A	24.870 mm (0.9791 in.)
B	26.470 mm (1.0421 in.)
C	30.970 mm (1.2193 in.)
D	24.970 mm (0.9831 in.)

- (c) Using a dial indicator, check the shaft runout.

**Maximum runout: 0.05 mm (0.0020 in.)**



CM0013



MT0071

### 2. INSPECT OUTPUT SHAFT

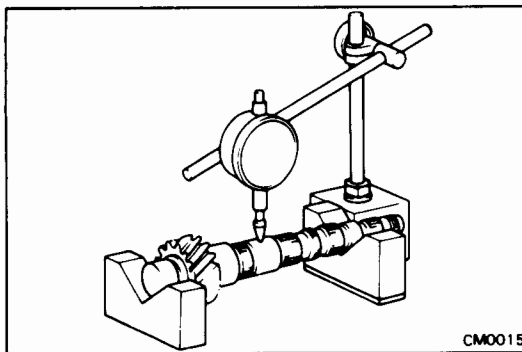
- (a) Check the output shaft for wear or damage.
- (b) Using a micrometer, measure the outer diameter of the output shaft journal surface.

#### Minimum outer diameter:

Part A	32.970 mm (1.2980 in.)
B	37.970 mm (1.4949 in.)
C	31.970 mm (1.2587 in.)

- (c) Using a dial indicator, check the shaft runout.

**Maximum runout: 0.05 mm (0.0020 in.)**



CM0015

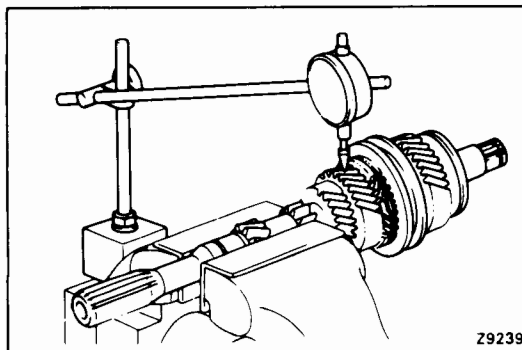
### 3. CHECK OIL CLEARANCE OF EACH GEAR

Using a dial indicator, measure the oil clearance between the gear and input or output shaft with the needle roller bearing installed.

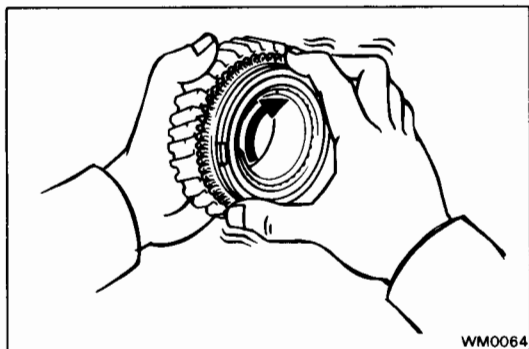
**Standard clearance: 0.015 – 0.058 mm  
(0.0006 – 0.0023 in.)**

**Maximum clearance: 0.070 mm (0.0028 in.)**

If the clearance exceeds the limit, replace the gear, needle roller bearing or shaft.

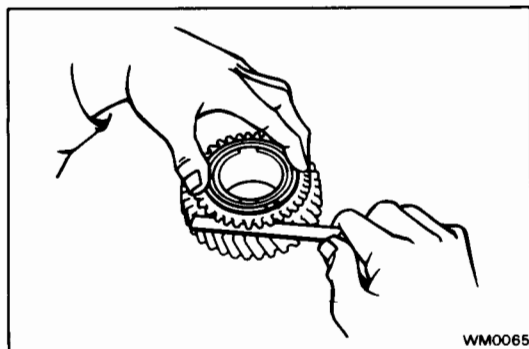


Z9239



**4. INSPECT SYNCHRONIZER RINGS**

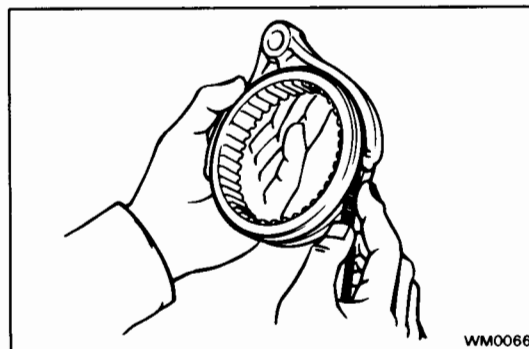
- (a) Check for wear or damage.
- (b) Turn the ring and push it in to check the braking action.



- (c) Measure the clearance between the synchronizer ring back and the gear spline end.

**Minimum clearance: 0.6 mm (0.024 in.)**

If the clearance is less than the limit, replace the synchronizer ring.

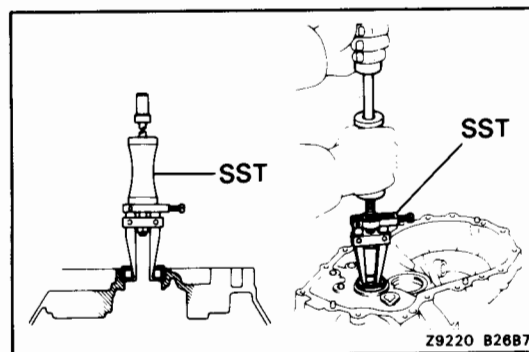


**5. MEASURE CLEARANCE OF SHIFT FORKS AND HUB SLEEVES**

Using a feeler gauge, measure the clearance between the hub sleeve and shift fork.

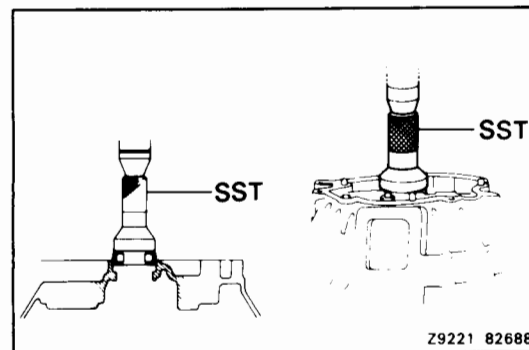
**Maximum clearance: 1.0 mm (0.039 in.)**

If the clearance exceeds the limit, replace the shift fork or hub sleeve.

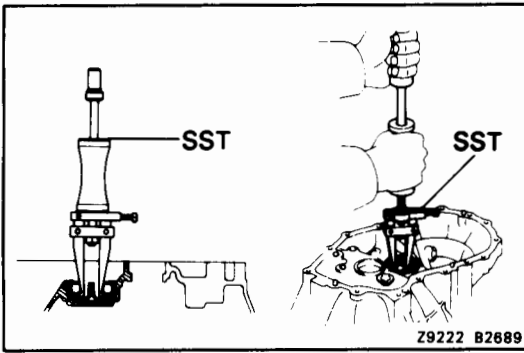


**6. IF NECESSARY, REPLACE INPUT SHAFT FRONT BEARING**

- (a) Using SST, pull out the bearing.  
SST 09308-00010

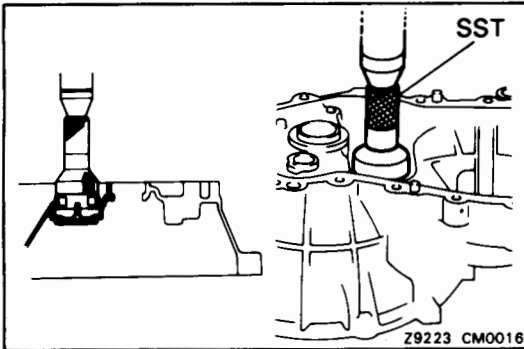


- (b) Using SST, press in a new bearing.  
SST 09310-35010

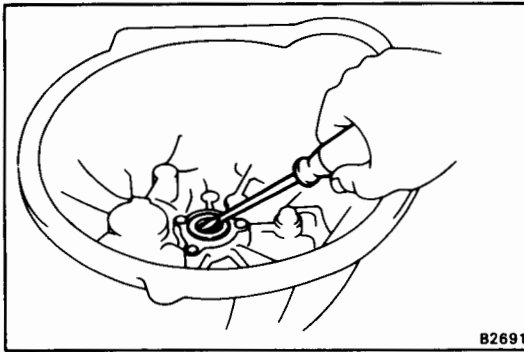


### 7. IF NECESSARY, REPLACE OUTPUT SHAFT FRONT BEARING

- (a) Remove the bolt and bearing lock plate.
- (b) Using SST, pull out the bearing.  
SST 09308-00010

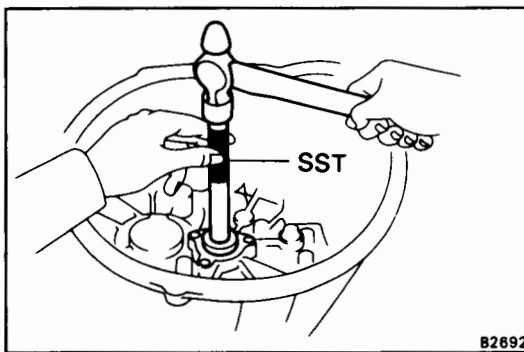


- (c) Using SST, press in a new bearing.  
SST 09310-35010
- (d) Install the bearing lock plate and torque the bolt.  
**Torque: 115 kg-cm (8 ft-lb, 11 N·m)**

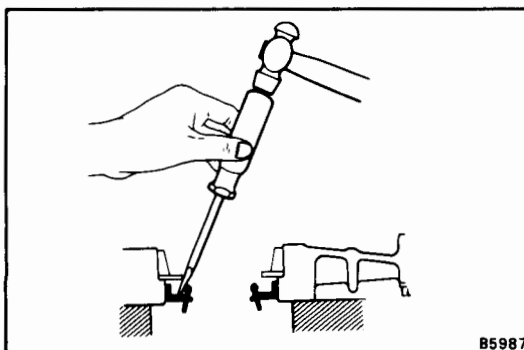


### 8. IF NECESSARY, REPLACE INPUT SHAFT FRONT OIL SEAL

- (a) Using a screwdriver, pry out the oil seal.

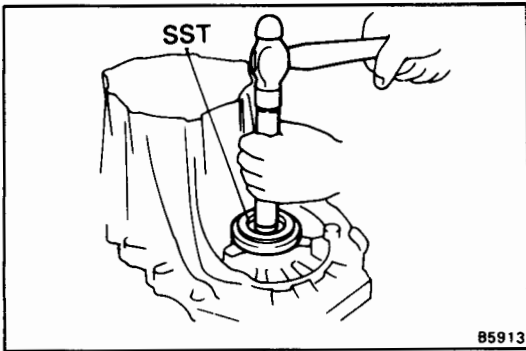


- (b) Using SST, press in a new oil seal.  
SST 09608-12010 (09608-00020, 09608-00080)
- (c) Coat the lip of oil seal with MP grease.



### 9. IF NECESSARY, REPLACE LH SIDE OIL SEAL

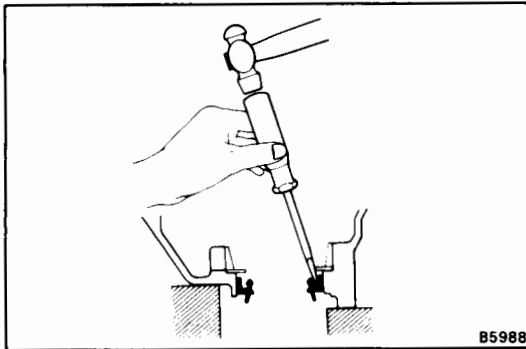
- (a) Drive out the oil seal with a screwdriver.



(b) Using SST, drive in a new oil seal until its surface is flush with the case surface.

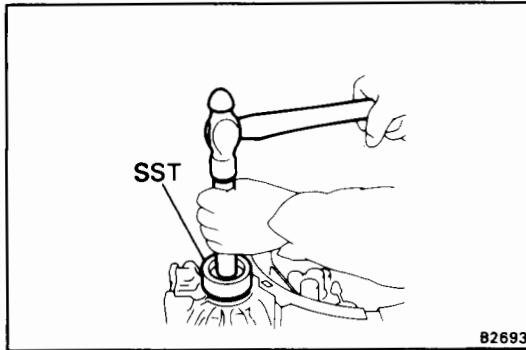
SST 09350-32013 (09351-32111, 09351-32130)

(c) Coat the lip of oil seal with MP grease.



**10. IF NECESSARY, REPLACE RH SIDE OIL SEAL**

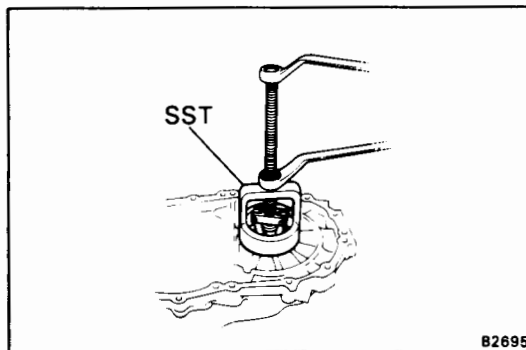
(a) Drive out the oil seal with a screwdriver.



(b) Using SST, drive in a new oil seal until its surface is flush with the case surface.

SST 09350-32013 (09351-32130, 09351-32150)

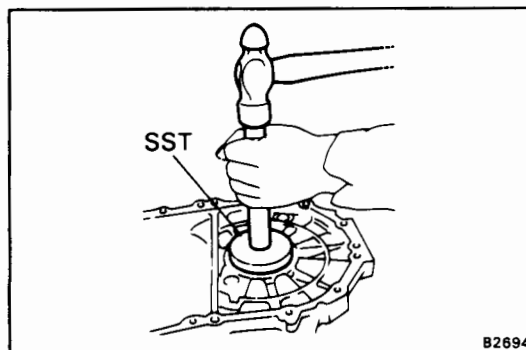
(c) Coat the lip of oil seal with MP grease.



**11. IF NECESSARY, REPLACE LH OUTER RACE OF SIDE BEARING**

(a) Using SST, pull out the outer race and shim.

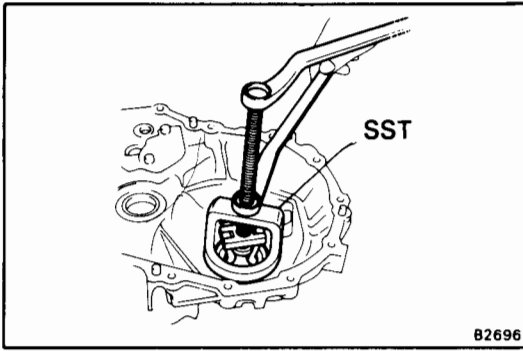
SST 09612-65014



(b) Place the shim into the case.

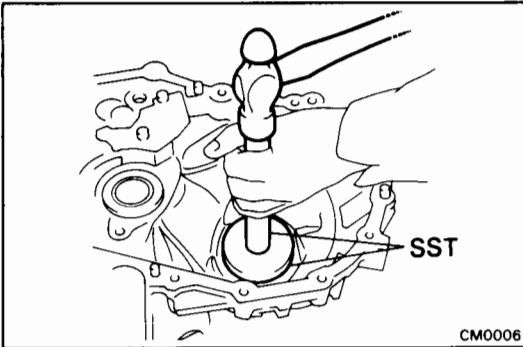
(c) Using SST, drive in a new outer race.

SST 09608-20012 (09608-03020, 09608-03090)

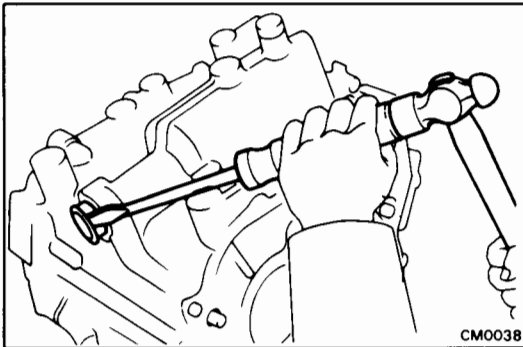


**12. IF NECESSARY, REPLACE RH OUTER RACE OF SIDE BEARING**

- (a) Using SST, pull out the outer race and shim.  
SST 09612-65014

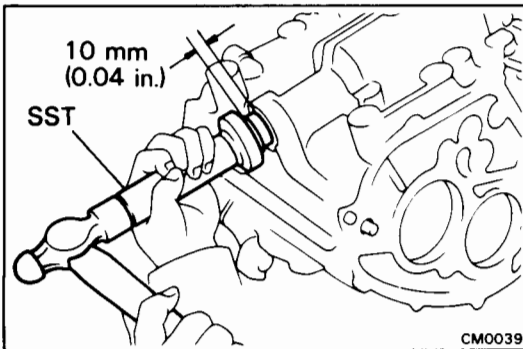


- (b) Place the shim into the case.
- (c) Using SST, drive in a new outer race.  
SST 09608-20012 (09608-03020, 09608-03090)

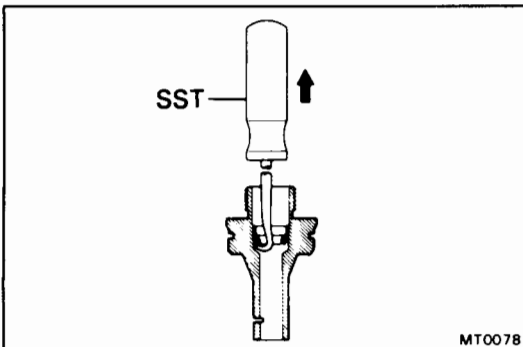


**13. IF NECESSARY, REPLACE CONTROL SHAFT OIL SEAL**

- (a) Drive out the oil seal with a screwdriver.

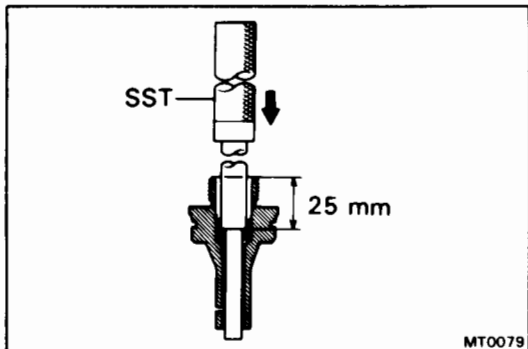


- (b) Using SST, drive in a new oil seal.  
SST 09517-36010
- (c) Coat the lip of oil seal with MP grease.



**14. IF NECESSARY, REPLACE SPEEDOMETER DRIVEN GEAR OIL SEAL**

- (a) Using SST, pull out the oil seal.  
SST 09921-00010

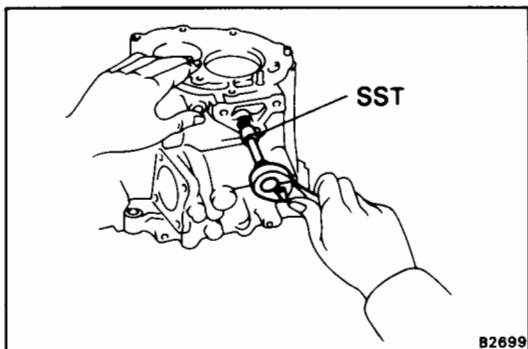


(b) Using SST, drive in a new oil seal.

SST 09201-60011

**Drive in depth: 25 mm (0.98 in.)**

(c) Coat the lip of oil seal with MP grease.

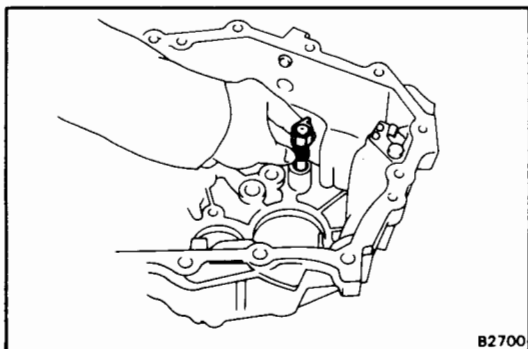


**15. IF NECESSARY, REPLACE REVERSE RESTRICT PIN**

(a) Using SST, remove the screw plug.

SST 09313-30021

(b) Using a pin punch and hammer, drive out the slotted spring pin.



(c) Replace the reverse restrict pin.

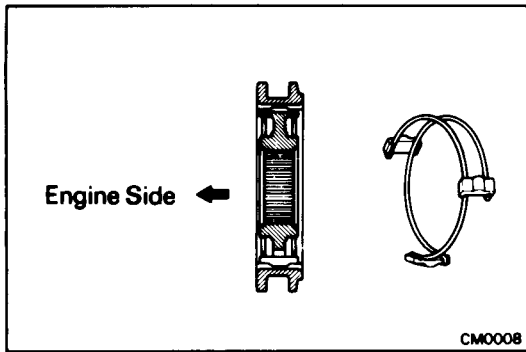
(d) Drive in the slotted spring pin.

(e) Apply liquid sealer to the plug threads.

**Sealant: Part No. 08833-00080, THREE BOND 1344, LOCTITE 242 or equivalent**

(f) Using SST, install the screw plug.

SST 09313-30021



CM0008

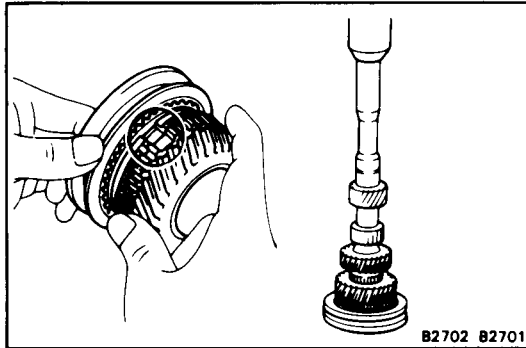
## ASSEMBLY OF TRANSMISSION

(See pages MT-7 to 9)

### 1. INSERT NO. 2 CLUTCH HUB INTO HUB SLEEVE

- (a) Install the clutch hub and shifting keys to the hub sleeve.
- (b) Install the shifting key springs under the shifting keys.

**CAUTION:** Install the key springs positioned so that their end gaps are not in line.



B2702 B2701

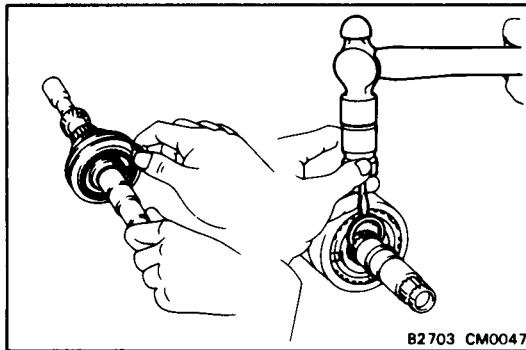
### 2. INSTALL THIRD GEAR, NEEDLE ROLLER BEARINGS, SYNCHRONIZER RING AND NO. 2 HUB SLEEVE ASSEMBLY TO INPUT SHAFT

- (a) Apply MP grease to the needle roller bearings.
- (b) Place the synchronizer ring on the gear and align the ring slots with the shifting keys.
- (c) Using a press, install the 3rd gear and No. 2 hub sleeve.

### 3. INSTALL SNAP RING

Select a snap ring that will allow minimum axial play and install it on the shaft.

Mark	Thickness mm (in.)	Mark	Thickness mm (in.)
0	2.30 (0.0906)	3	2.48 (0.0976)
1	2.36 (0.0929)	4	2.54 (0.1000)
2	2.42 (0.0953)	5	2.60 (0.1024)

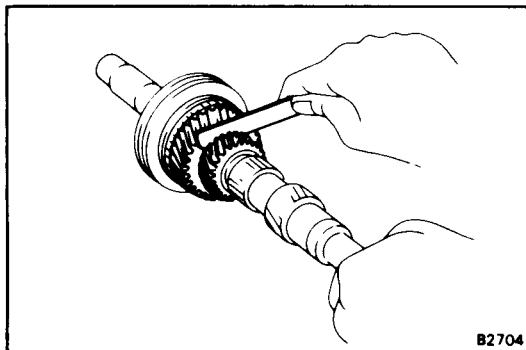


B2703 CM0047

### 4. MEASURE THIRD GEAR THRUST CLEARANCE

Using a feeler gauge, measure the 3rd gear thrust clearance.

**Standard clearance: 0.10 – 0.35 mm  
(0.0039 – 0.0138 in.)**

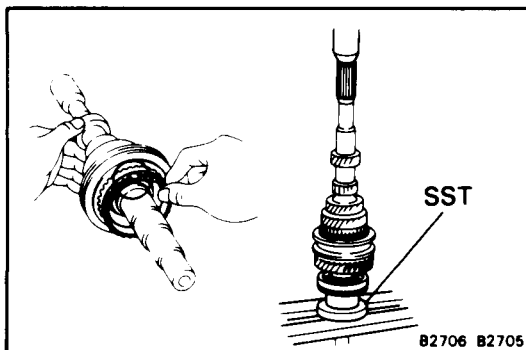


B2704

### 5. INSTALL SYNCHRONIZER RING, NEEDLE ROLLER BEARING, FOURTH GEAR AND RADIAL BALL BEARING

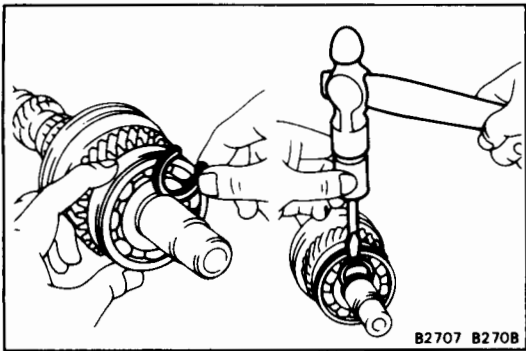
- (a) Apply MP grease to the needle roller bearing.
- (b) Place the synchronizer ring on the gear and align the ring slots with the shifting keys.
- (c) Using SST, press in the radial ball bearing.

SST 09608-12010 (09608-00070)



B2706 B2705

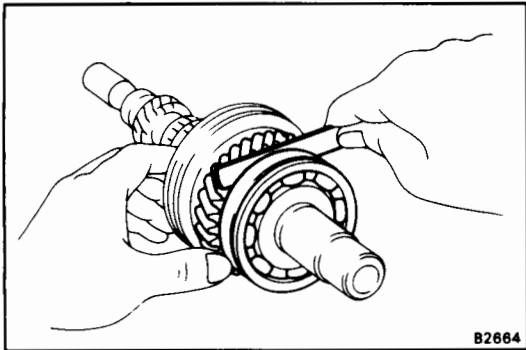




**6. INSTALL SNAP RING**

Select a snap ring that will allow minimum axial play and install it on the shaft.

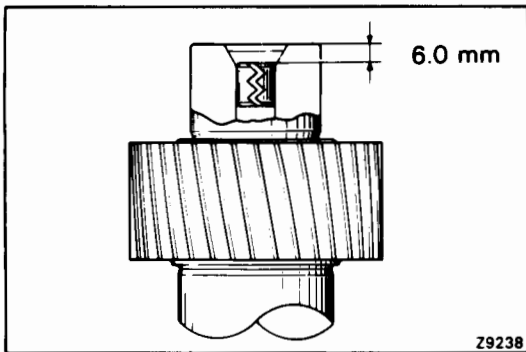
Mark	Thickness mm (in.)	Mark	Thickness mm (in.)
A	2.29 (0.0902)	D	2.47 (0.0972)
B	2.35 (0.0925)	E	2.53 (0.0996)
C	2.41 (0.0949)	F	2.59 (0.1020)



**7. MEASURE FOURTH GEAR THRUST CLEARANCE**

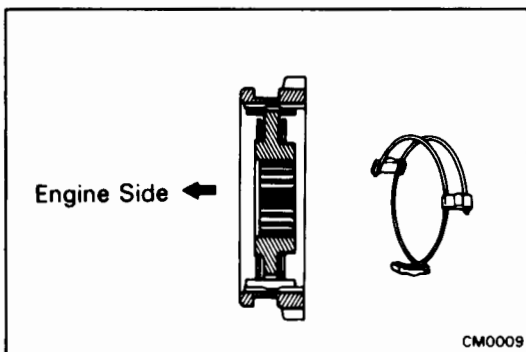
Using a feeler gauge, measure the 4th gear thrust clearance.

**Standard clearance: 0.10 – 0.55 mm  
(0.0039 – 0.0217 in.)**



**8. IF OUTPUT SHAFT WAS REPLACED, DRIVE IN SLOTTED SPRING**

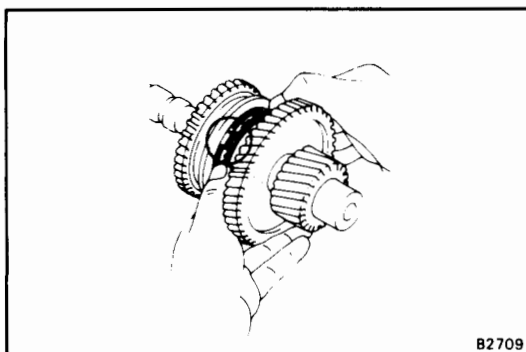
If the output shaft was replaced, drive the slotted spring pin in the output shaft to a depth of 6.0 mm (0.236 in.).



**9. INSERT NO. 1 CLUTCH HUB INTO HUB SLEEVE**

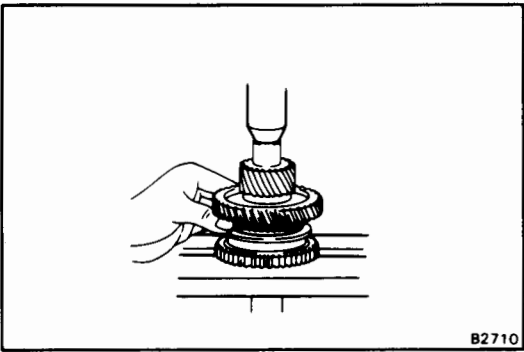
- (a) Install the clutch hub and shifting keys to the hub sleeve.
- (b) Install the shifting key springs under the shifting keys.

**CAUTION:** Install the key springs positioned so that their end gaps are not in line.

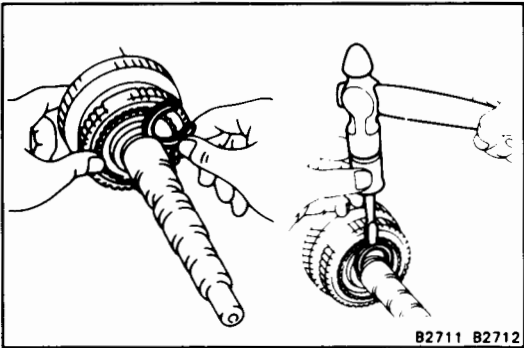


**10. INSTALL THRUST WASHER, FIRST GEAR, NEEDLE ROLLER BEARING, SYNCHRONIZER RING AND NO. 1 HUB SLEEVE TO OUTPUT SHAFT**

- (a) Install the locking ball in the shaft.
- (b) Fit the thrust washer groove securely over the locking ball when installing the thrust washer on the shaft.
- (c) Apply MP grease to the needle roller bearing.
- (d) Place the synchronizer ring on the gear and align the ring slots with the shifting keys.



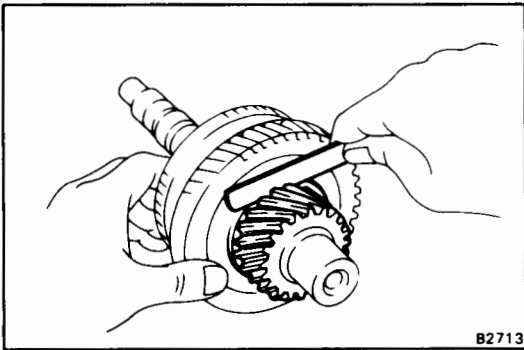
- (e) Using a press, install the 1st gear and No. 1 hub sleeve.



**11. INSTALL SNAP RING**

Select a snap ring that will allow minimum axial play, and install it on the shaft.

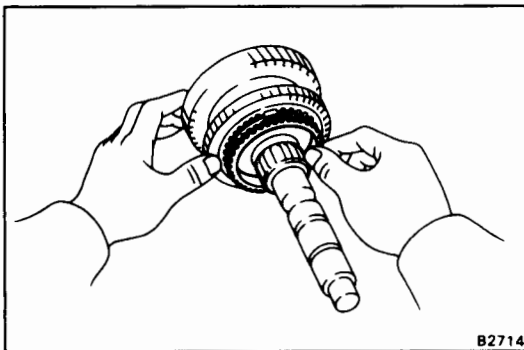
Mark	Thickness mm (in.)	Mark	Thickness mm (in.)
A	2.50 (0.0984)	D	2.68 (0.1055)
B	2.56 (0.1008)	E	2.74 (0.1079)
C	2.62 (0.1031)	F	2.80 (0.1102)



**12. MEASURE FIRST GEAR THRUST CLEARANCE**

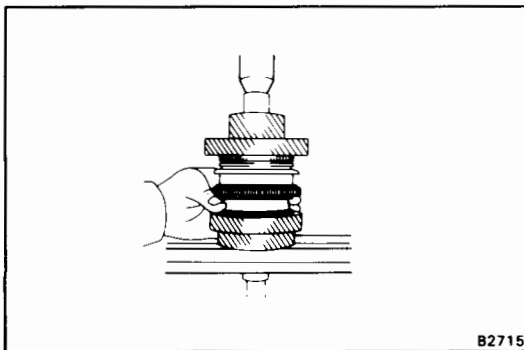
Using a feeler gauge, measure the 1st gear thrust clearance.

**Standard clearance: 0.10 – 0.40 mm  
(0.0039 – 0.0157 in.)**

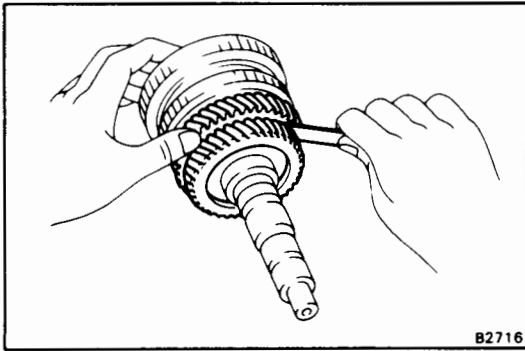


**13. INSTALL SPACER, SYNCHRONIZER RING, SECOND GEAR, NEEDLE ROLLER BEARING AND THIRD DRIVEN GEAR**

- (a) Install the spacer.
- (b) Place the synchronizer ring on the gear and align the ring slots with the shifting keys.
- (c) Apply MP grease to the needle roller bearing.
- (d) Install the 2nd gear.

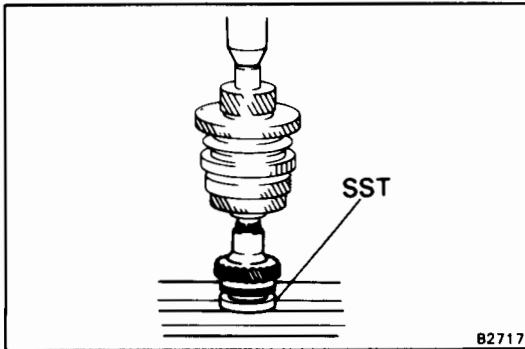


- (e) Using a press, install the 3rd driven gear.

**14. MEASURE SECOND GEAR THRUST CLEARANCE**

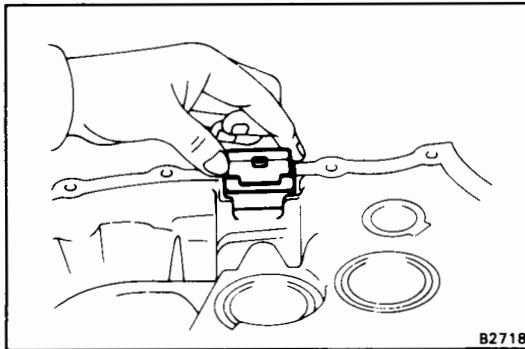
Using a feeler gauge, measure the 2nd gear thrust clearance.

**Standard clearance: 0.10 – 0.45 mm  
(0.0039 – 0.0177 in.)**

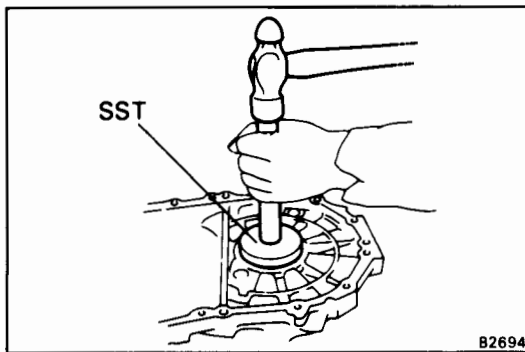
**15. INSTALL OUTPUT GEAR SPACER, FOURTH DRIVEN GEAR AND RADIAL BALL BEARING**

(a) Install the spacer.

(b) Using SST, press in the 4th driven gear and bearing.  
SST 09608-12010 (09608-00070)

**16. INSTALL MAGNET****17. INSTALL OIL RECEIVER**

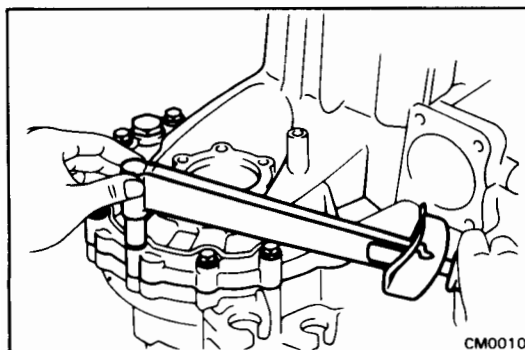
Install the oil receiver with two bolts.

**18. ADJUST DIFFERENTIAL SIDE BEARING PRELOAD**

(a) Install the thinnest shim into the transmission case.

(b) Using SST, drive in the outer race of the side bearing.  
SST 09608-20012 (09608-03020, 09608-03090)

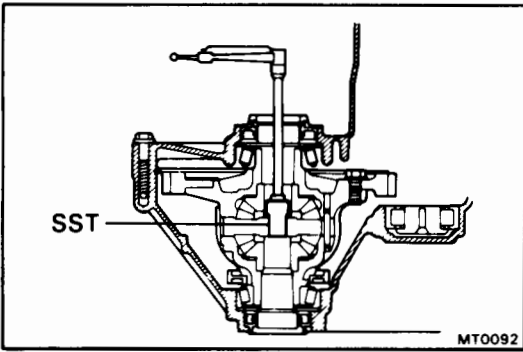
(c) Install the differential to the transaxle case.



(d) Install the transmission case.

(e) Install and torque the case bolts.

**Torque: 300 kg-cm (22 ft-lb, 29 N·m)**



(f) Using SST and torque meter, measure the preload.  
SST 09564-32011

**Preload (starting):**

**New bearing** 8 – 16 kg-cm  
(6.9 – 13.9 in.-lb, 0.8 – 1.6 N·m)

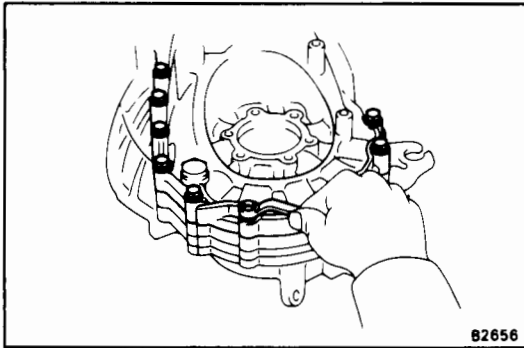
**Reused bearing** 5 – 10 kg-cm  
(4.3 – 8.7 in.-lb, 0.5 – 1.0 N·m)

If the preload is not within specification, remove the transmission case side outer race of the side bearing with SST.

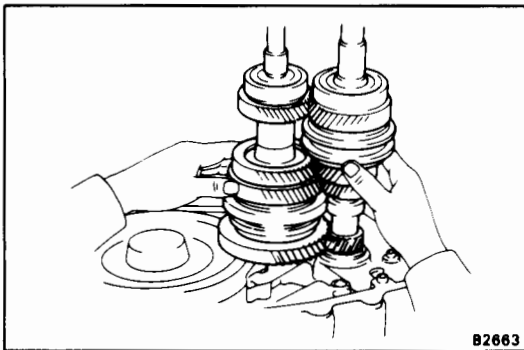
Reselect an adjusting shim.

**NOTE:** The preload will change about 3 – 4 kg-cm (2.6 – 3.5 in.-lb, 0.3 – 0.4 N·m) with each shim thickness.

Mark	Thickness mm (in.)	Mark	Thickness mm (in.)
A	2.10 (0.0827)	L	2.60 (0.1024)
B	2.15 (0.0846)	M	2.65 (0.1043)
C	2.20 (0.0866)	N	2.70 (0.1063)
D	2.25 (0.0886)	P	2.75 (0.1083)
E	2.30 (0.0906)	Q	2.80 (0.1102)
F	2.35 (0.0925)	R	2.85 (0.1122)
G	2.40 (0.0945)	S	2.90 (0.1142)
H	2.45 (0.0965)	T	2.95 (0.1161)
J	2.50 (0.0984)	U	3.00 (0.1181)
K	2.55 (0.1004)		

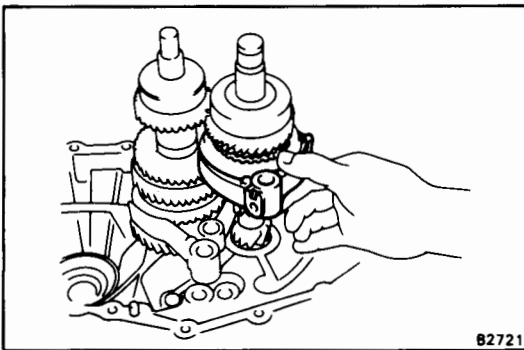


**19. REMOVE TRANSMISSION CASE**



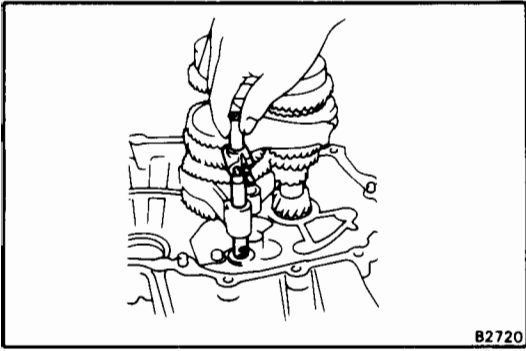
**20. INSTALL INPUT AND OUTPUT SHAFT**

Install the input and output shafts together.

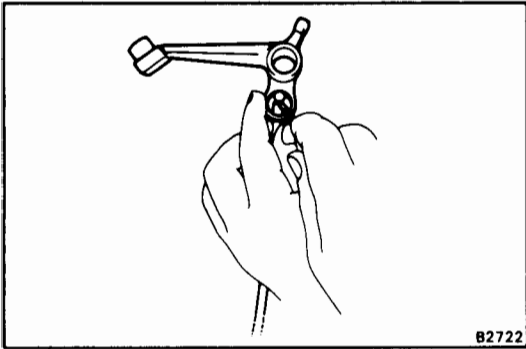


**21. INSTALL SHIFT FORKS AND SHIFT FORK SHAFTS**

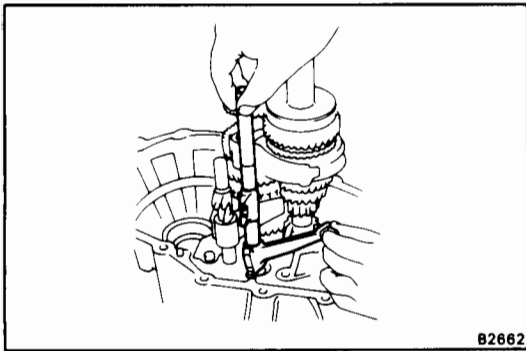
(a) Place No. 1 and No. 2 shift forks into the groove of No. 1 and No. 2 hub sleeves.



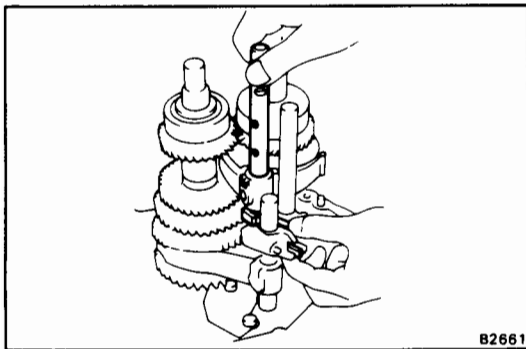
(b) Insert No. 1 fork shaft into No. 1 shift fork hole.



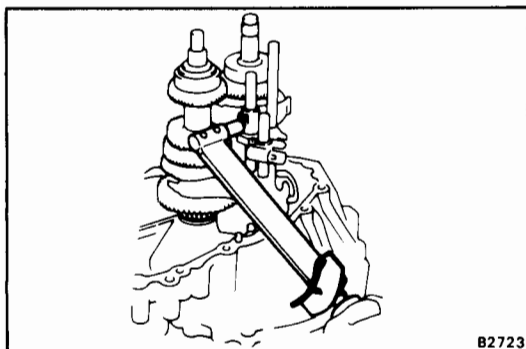
(c) Insert the two interlock balls into the reverse shift fork hole.



(d) Install No. 3 fork shaft and the reverse shift fork.

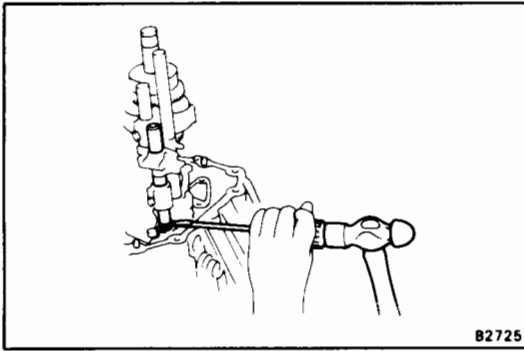


(e) Install No. 2 fork shaft and the shift head.

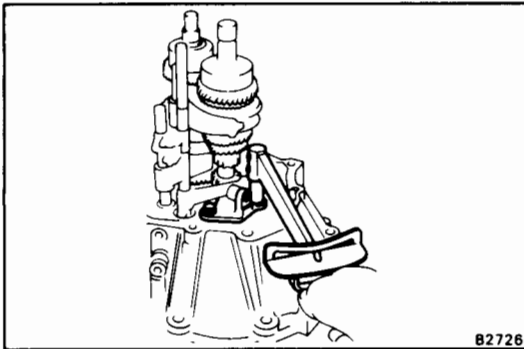


(f) Install the three bolts.

**Torque: 160 kg-cm (12 ft-lb, 16 N·m)**



- (g) Install the three snap rings.

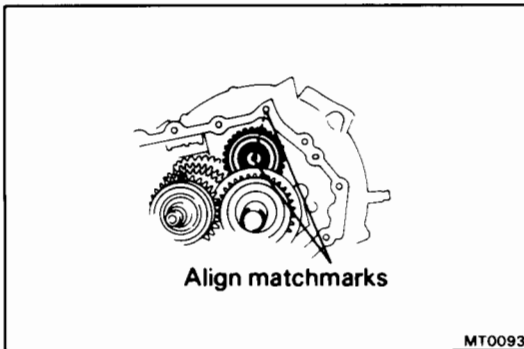


## 22. INSTALL REVERSE SHIFT ARM

- (a) Put the reverse shift fork pivot into the reverse shift arm and install the reverse shift arm to the transaxle case.

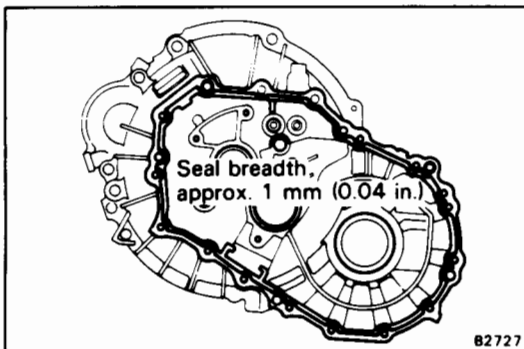
- (b) Install and torque the bolts.

**Torque: 175 kg-cm (13 ft-lb, 17 N·m)**



## 23. INSTALL REVERSE IDLER GEAR AND SHAFT

Install the reverse idler gear and shaft as shown.



## 24. INSTALL TRANSMISSION CASE

- (a) Remove any packing material and be careful not to drop oil on the contacting surfaces of the transmission case or transaxle case.

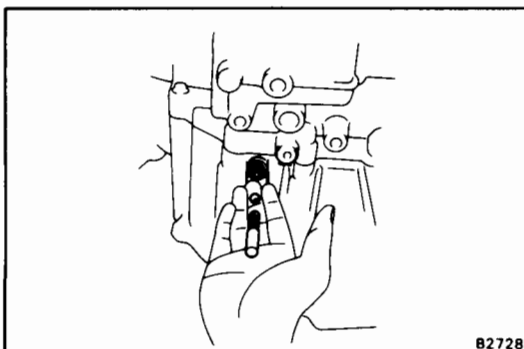
- (b) Apply seal packing to the transmission case as shown in the figure.

**Seal packing: Part No. 08826-00090, THREE BOND 1281 or equivalent**

**NOTE:** Install the transmission case as soon as the seal packing is applied.

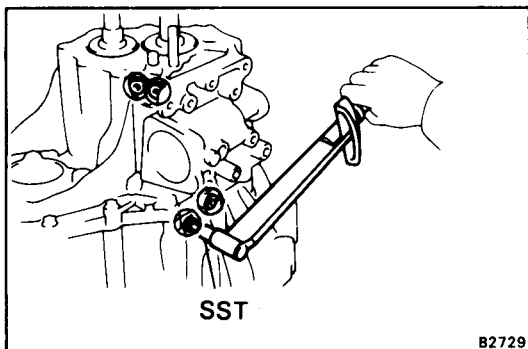
- (c) Install and torque the sixteen bolts.

**Torque: 300 kg-cm (22 ft-lb, 29 N·m)**



## 25. INSTALL BALL, SPRING, SEAT, PLUG AND LOCK BALL ASSEMBLY

- (a) Insert the balls, springs and seats into the holes.



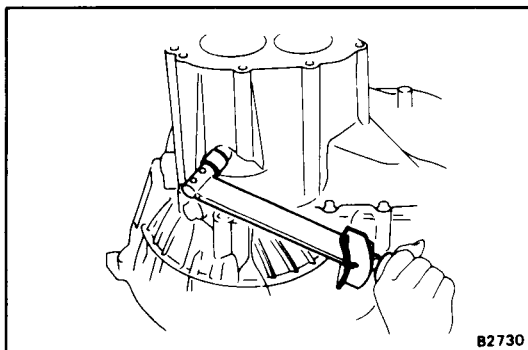
(b) Apply liquid sealer to the plugs and the lock ball assembly.

**Sealant: Part No. 08833-00080, THREE BOND 1344, LOCTITE 242 or equivalent**

(c) Using SST, tighten the three plugs and the lock ball assembly.

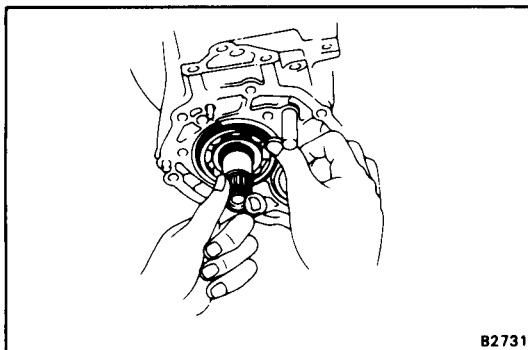
SST 09313-30021

Torque: Straight screw plug	250 kg-cm
(For shift fork shaft)	(18 ft-lb, 25 N·m)
Lock ball assembly	400 kg-cm
	(29 ft-lb, 39 N·m)



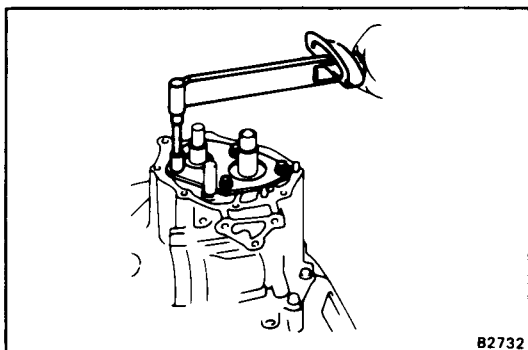
**26. INSTALL AND TORQUE REVERSE IDLER GEAR SHAFT LOCK BOLT**

Torque: 240 kg-cm (17 ft-lb, 24 N·m)



**27. INSTALL BEARING SNAP RINGS**

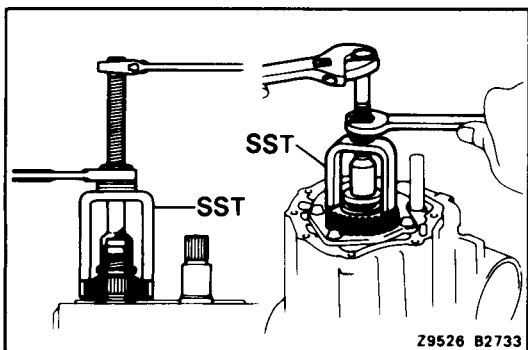
**28. INSTALL SNAP RING TO NO. 2 FORK SHAFT**



**29. INSTALL REAR BEARING RETAINER**

Install and torque the five bolts.

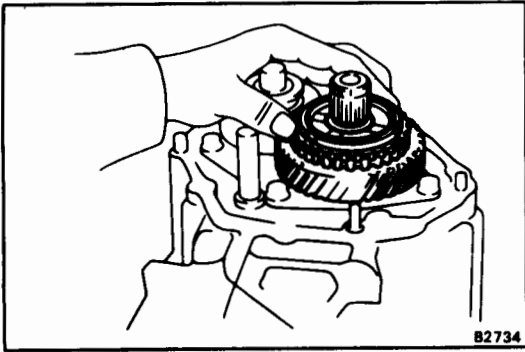
Torque: 195 kg-cm (14 ft-lb, 19 N·m)



**30. INSTALL FIFTH DRIVEN GEAR**

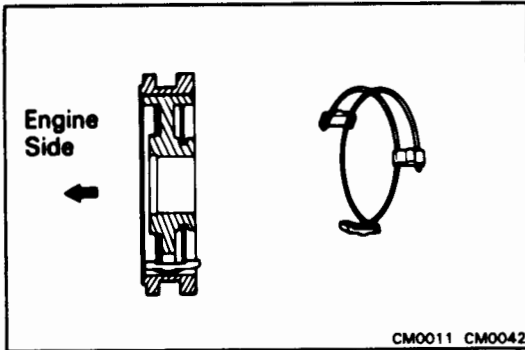
Using SST, install the 5th driven gear.

SST 09309-12020



**31. INSTALL SPACER, NEEDLE ROLLER BEARING, FIFTH GEAR AND SYNCHRONIZER RING**

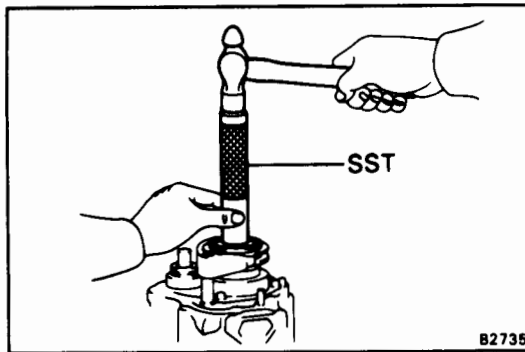
- (a) Install the spacer.
- (b) Apply MP grease to the needle roller bearings.
- (c) Install the 5th gear with the needle roller bearing and synchronizer ring.



**32. INSERT NO. 3 CLUTCH HUB INTO HUB SLEEVE**

- (a) Install the clutch hub and shifting keys to the hub sleeve.
- (b) Install the shifting key springs under the shifting keys.

**CAUTION:** Install the key springs positioned so that their end gaps are not in line.

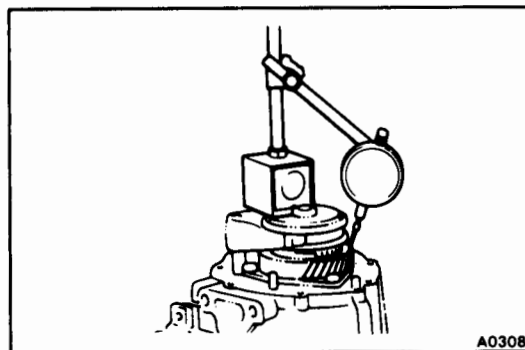


**33. INSTALL NO. 3 HUB SLEEVE ASSEMBLY WITH NO. 3 SHIFT FORK**

- (a) Support the tip of the input shaft with a spacer or such to raise the transaxle assembly.
- (b) Using SST, drive in No. 3 hub sleeve with No. 3 shift fork.

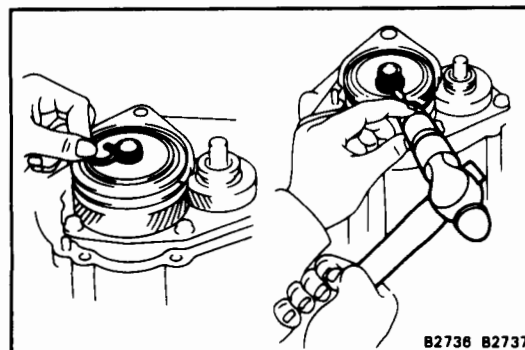
SST 09612-22011

**CAUTION:** Align the synchronizer ring slots with the shifting keys.



**34. MEASURE FIFTH GEAR THRUST CLEARANCE**

Standard clearance: 0.10 – 0.57 mm  
(0.0039 – 0.0224 in.)

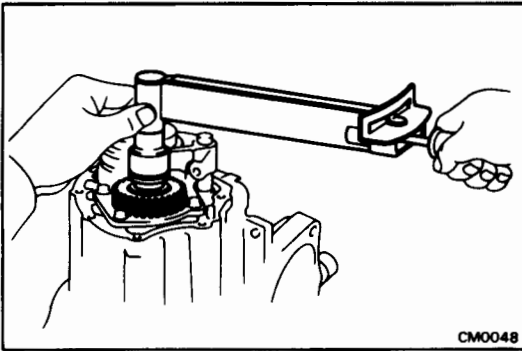


**35. INSTALL SNAP RING**

Select a snap ring that will allow minimum axial play and install it on the shaft.

Mark	Thickness mm (in.)	Mark	Thickness mm (in.)
A	2.25 (0.0886)	E	2.49 (0.0980)
B	2.31 (0.0909)	F	2.55 (0.1004)
C	2.37 (0.0933)	G	2.61 (0.1028)
D	2.43 (0.0957)		



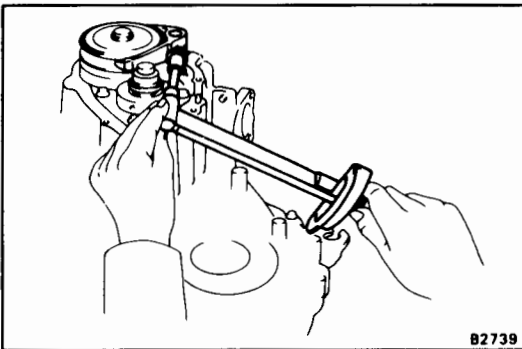


**36. INSTALL LOCK NUT**

- (a) Engage the gear double meshing.
- (b) Install and torque the nut.

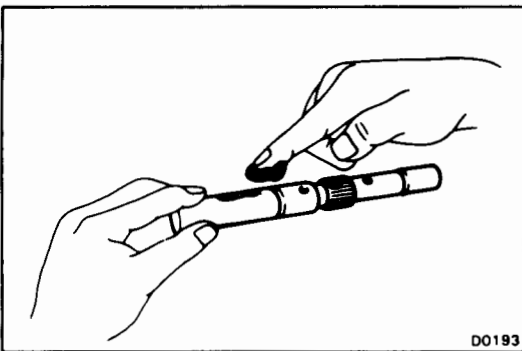
**Torque: 1,200 kg-cm (87 ft-lb, 118 N·m)**

- (c) Disengage the gear double meshing.
- (d) Stake the lock nut.



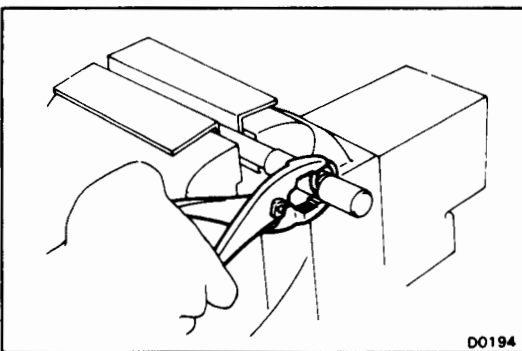
**37. INSTALL BOLT**

**Torque: 160 kg-cm (12 ft-lb, 16 N·m)**

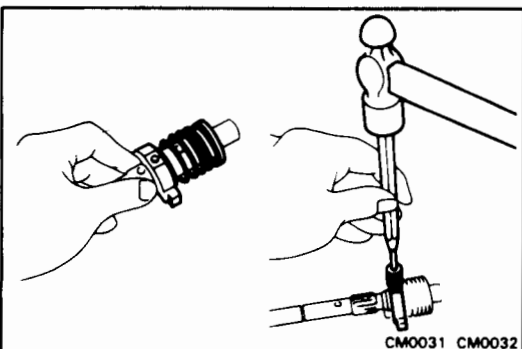


**38. ASSEMBLE SHIFT AND SELECT LEVER SHAFT ASSEMBLY**

- (a) Apply MP grease to the shaft.

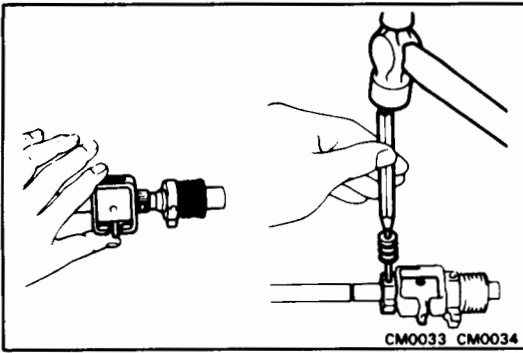


- (b) Install the snap ring to the shaft.

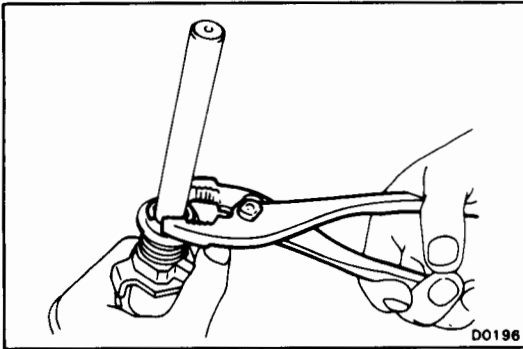


- (c) Install the spring seat, compression spring and select inner lever.

- (d) Using a pin punch and hammer, drive in the slotted spring pin.

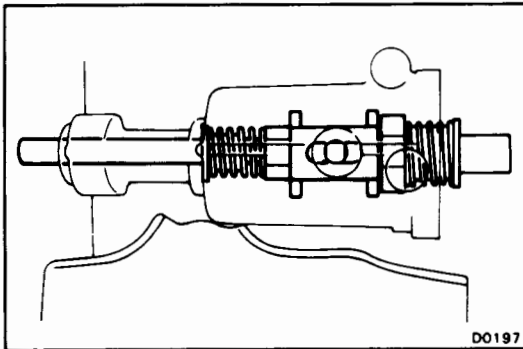


- (e) Align the interlock plate with No. 1 shift inner lever and install it.
- (f) Install No. 2 shift inner lever.
- (g) Using a pin punch and hammer, drive in the slotted spring pins.

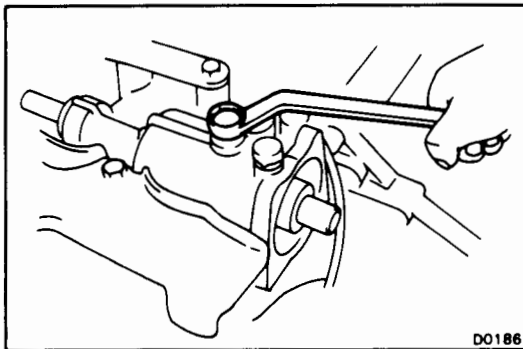


- (h) Install the compression spring, spring seat and E-ring.

### 39. INSTALL SHIFT AND SELECT LEVER SHAFT ASSEMBLY



### 40. INSTALL LOCK BOLT



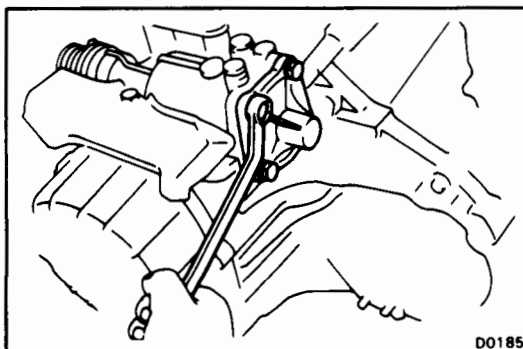
### 41. INSTALL CONTROL SHAFT COVER

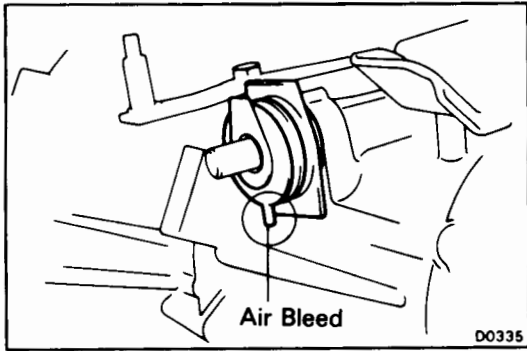
- (a) Place a new gasket in position on the control shaft cover.
- (b) Install the control shaft cover.
- (c) Apply liquid sealer to the bolt threads.

**Sealant: Part No. 08833-00080, THREE BOND 1344, LOCTITE 242 or equivalent**

- (d) Install and torque the bolts.

**Torque: 200 kg-cm (14 ft-lb, 20 N·m)**

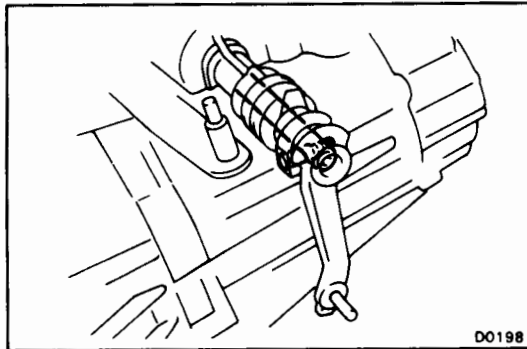




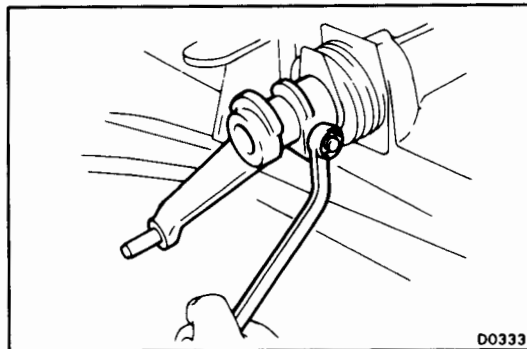
**42. INSTALL SHIFT LEVER**

(a) Install the boot to the control shaft oil seal.

**NOTE:** Make sure to install the boot in the correct direction. Position the air bleed of the boot downward.

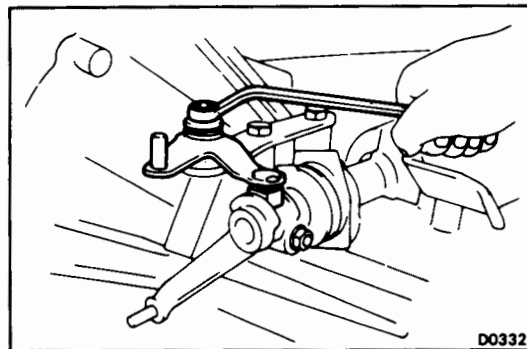


(b) Fit the pin's groove into the shaft's notch and tap on with a hammer.

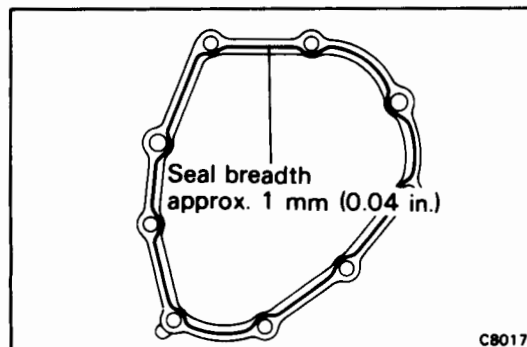


(c) Install the nut. Torque the nut.

**Torque: 120 kg-cm (9 ft-lb, 12 N·m)**



**43. INSTALL SELECTING BELLCRANK**



**44. INSTALL TRANSMISSION CASE COVER**

(a) Remove any packing material and be careful not to drop oil on the contacting surfaces of the transmission case or case cover.

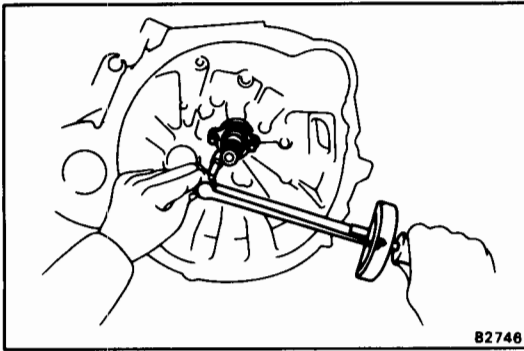
(b) Apply seal packing to the transmission case as shown in the figure.

**Seal packing: Part No. 08826-00090, THREE BOND 1281 or equivalent**

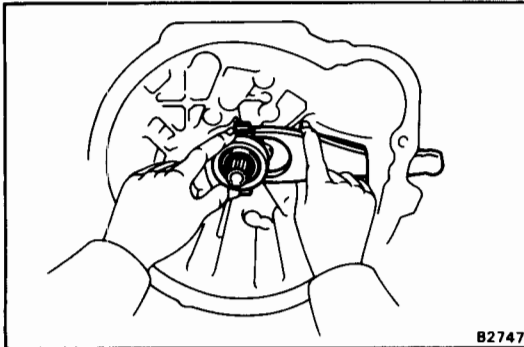
**NOTE:** Install the transmission case cover as soon as the seal packing is applied.

(c) Install and torque the nine bolts.

**Torque: 185 kg-cm (13 ft-lb, 18 N·m)**

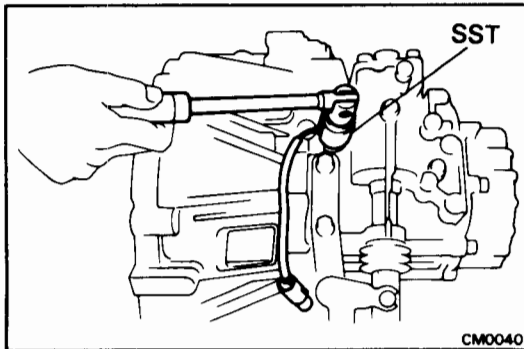
**45. INSTALL FRONT BEARING RETAINER**

Torque: 110 kg-cm (8 ft-lb, 11 N·m)

**46. INSTALL RELEASE FORK AND BEARING**

Apply molybdenum disulphide lithium base grease to the following parts:

- Release bearing hub inside groove
- Input shaft spline
- Release fork contact surface

**47. INSTALL BACK-UP LIGHT SWITCH**

Using SST, install the back-up light switch.

SST 09817-16011

Torque: 410 kg-cm (30 ft-lb, 40 N·m)

**48. INSTALL SPEEDOMETER DRIVEN GEAR**

## **Differential**

### **REMOVAL OF DIFFERENTIAL**

- 1. REMOVE TRANSAXLE**  
(See pages MT-3 to 5)
- 2. REMOVE DIFFERENTIAL ASSEMBLY**  
(See steps 1 to 25 on pages MT-10 to 14)

### **REPLACEMENT OF DIFFERENTIAL**

(See pages AT-131 to 133)

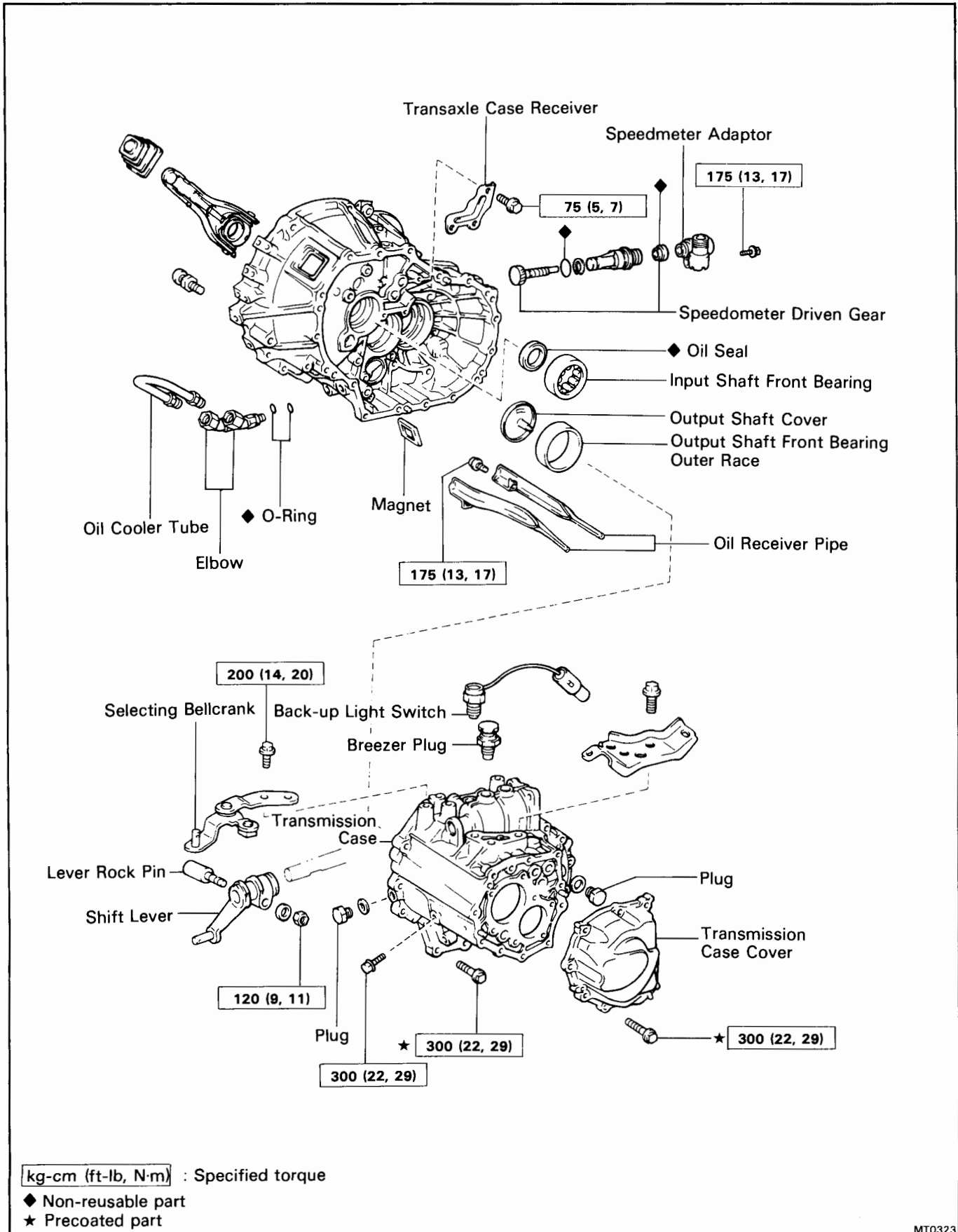
### **ADJUSTMENT OF DIFFERENTIAL CASE**

(See pages AT-134, 135)

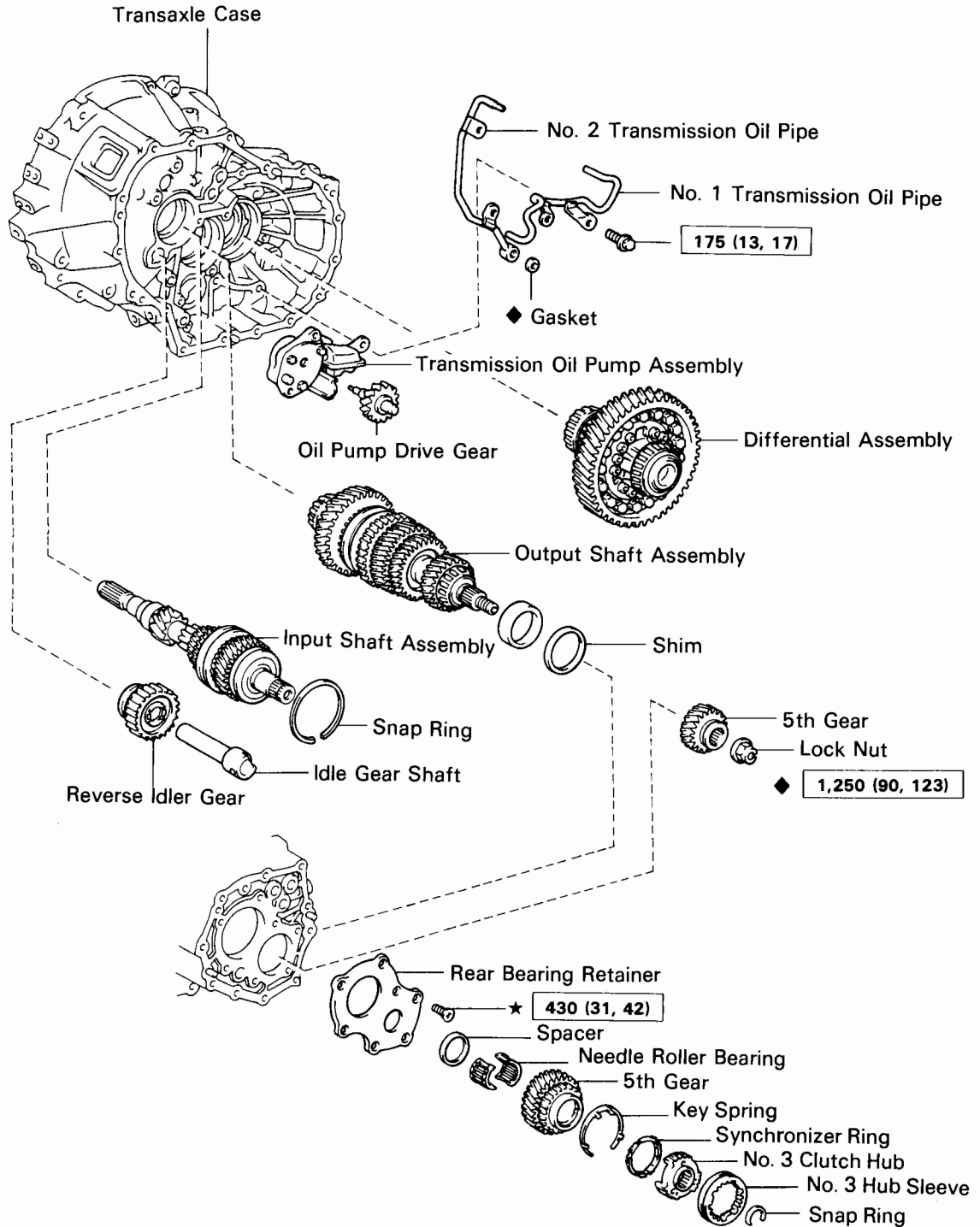
### **INSTALLATION OF DIFFERENTIAL**

- 1. INSTALL DIFFERENTIAL ASSEMBLY TO TRANSAXLE**  
(See steps 18 to 37 and 39 to 48 on pages MT-27 to 36)
- 2. INSTALL TRANSAXLE**  
(See pages MT-37 to 40)

# E51 TRANSAXLE COMPONENTS



COMPONENTS (Cont'd)

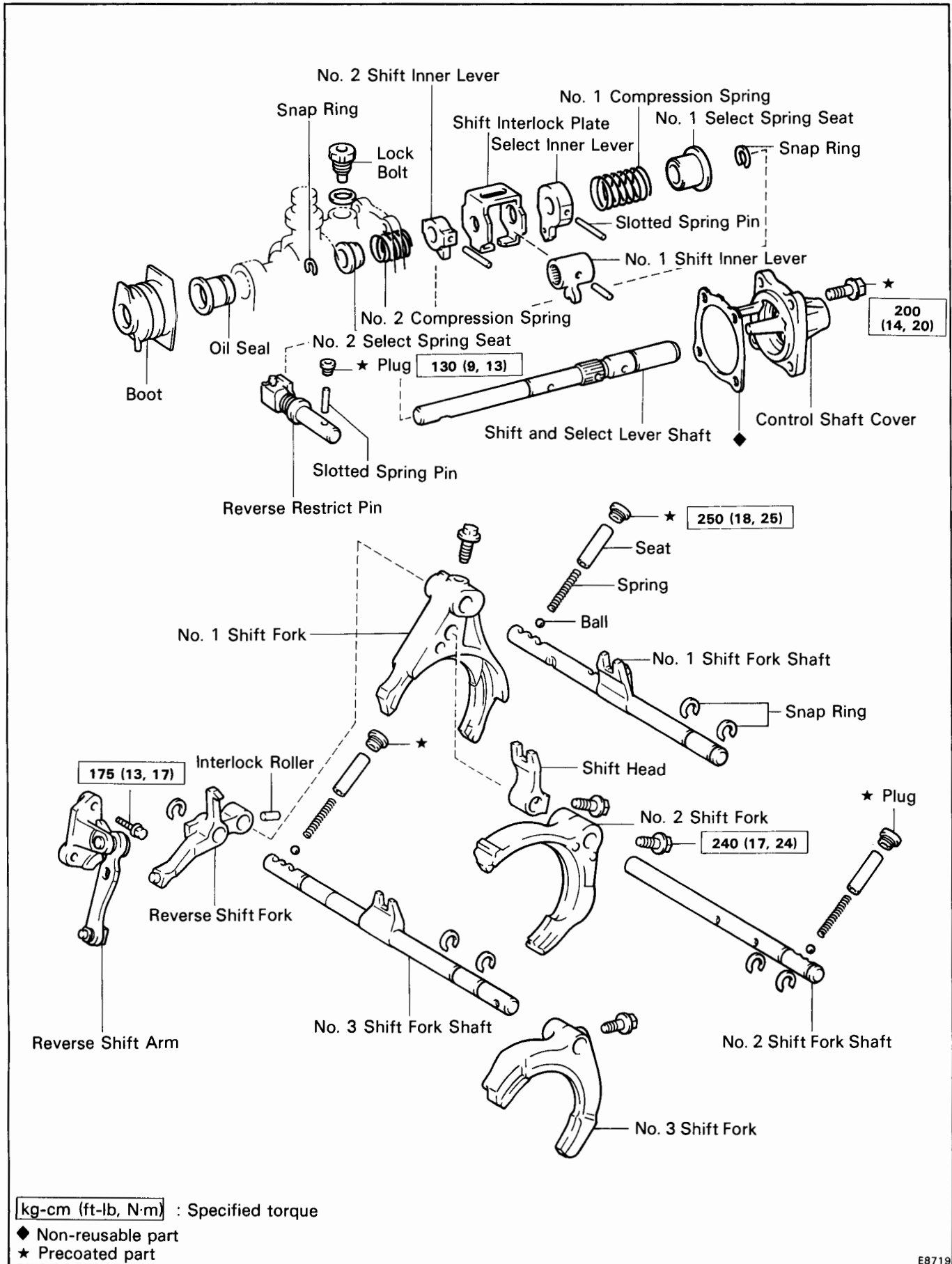


kg-cm (ft-lb, N·m) : Specified torque

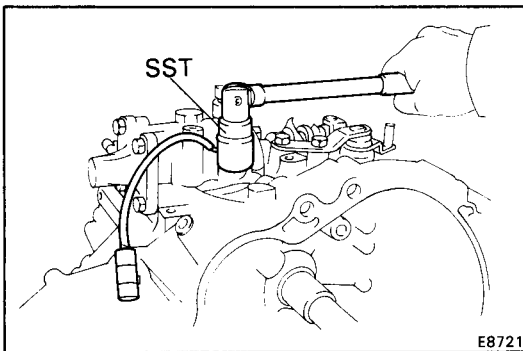
◆ Non-reusable part

★ Precoated part

COMPONENTS (Cont'd)







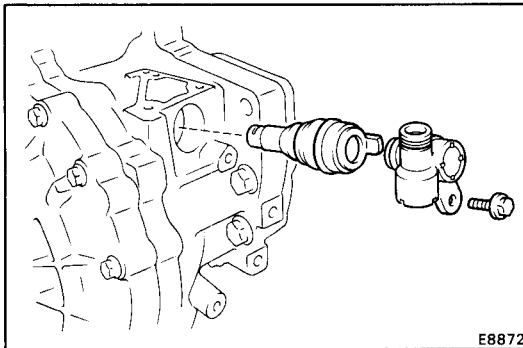
## REMOVAL OF COMPONENT PARTS

(See pages MT-38 to 40)

### 1. REMOVE RELEASE FORK AND BEARING

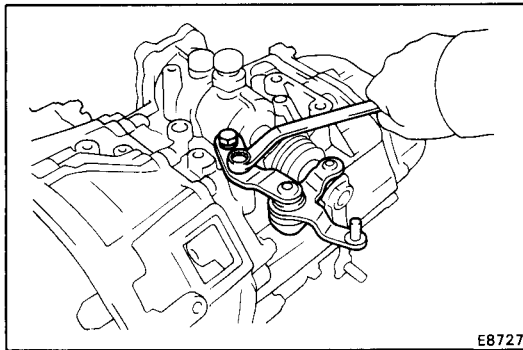
### 2. REMOVE BACK-UP LIGHT SWITCH

Using SST, remove the Back-up light switch.  
SST 09817-16011

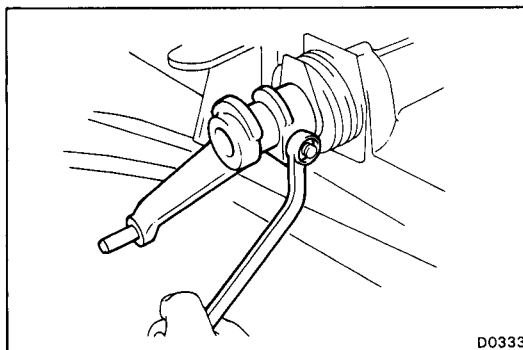


### 3. REMOVE SPEEDOMETER DRIVEN GEAR

- (a) Remove the set bolt and speedometer adaptor.
- (b) Remove the speedometer driven gear.

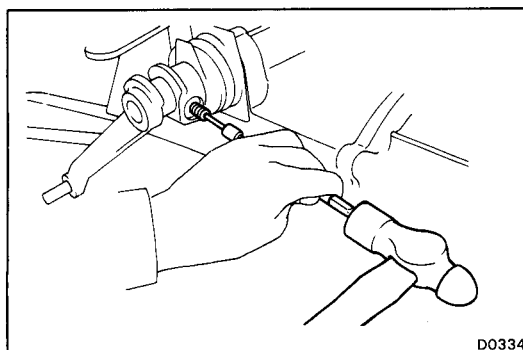


### 4. REMOVE SELECTING BELLCRANK ASSEMBLY

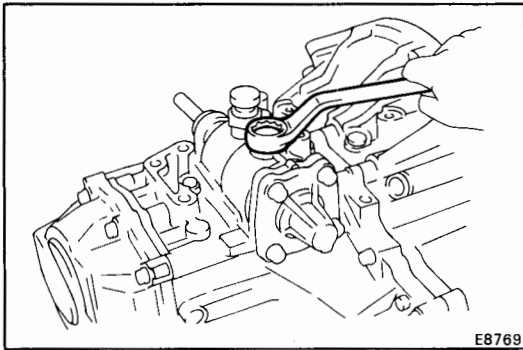


### 5. REMOVE SHIFT LEVER

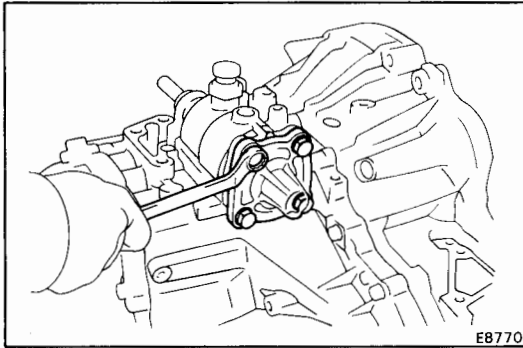
- (a) Remove the shift lever set nut.



- (b) Using a pin punch and hammer, tap out the lock pin.

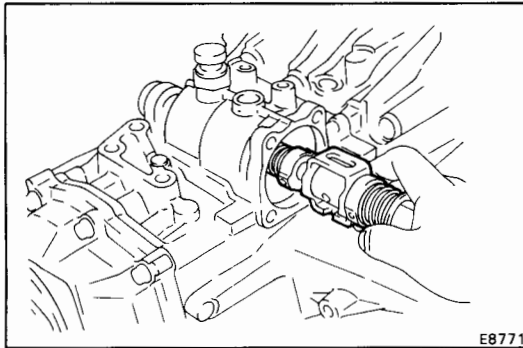


**6. REMOVE LOCK BOLT**



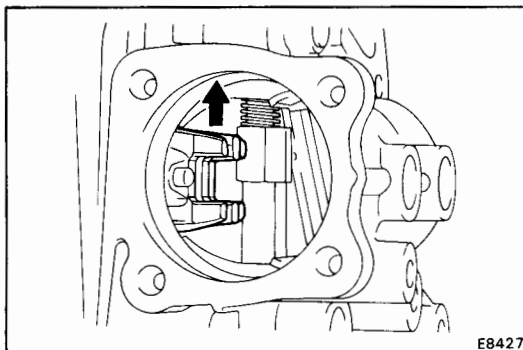
**7. REMOVE CONTROL SHAFT COVER**

Remove the bolts holding the control shaft cover.



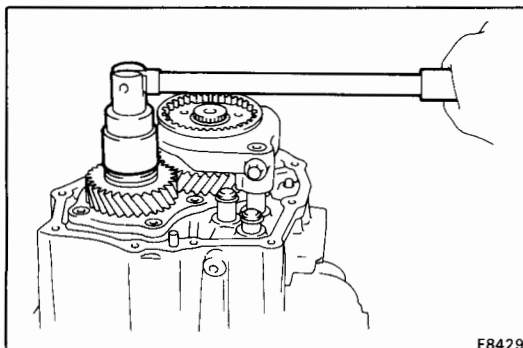
**8. REMOVE SHIFT AND SELECT LEVER SHAFT ASSEMBLY**

**9. REMOVE TRANSMISSION CASE COVER**

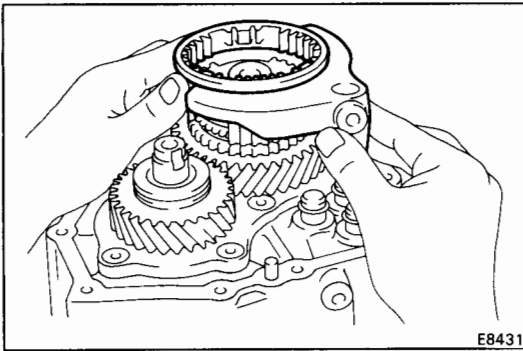


**10. REMOVE LOCK NUT**

- (a) Unstake the lock nut.
- (b) Engage the gear double meshing.

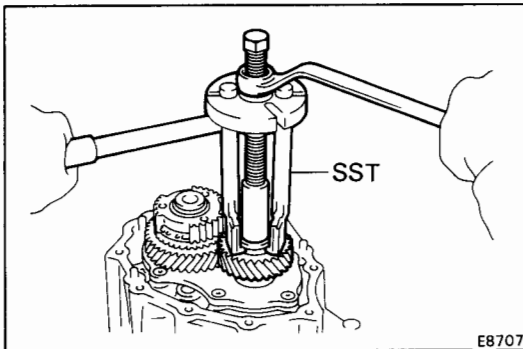


- (c) Remove the lock nut.
- (d) Disengage the gear double meshing.



### 11. REMOVE NO. 3 HUB SLEEVE AND NO. 3 SHIFT FORK

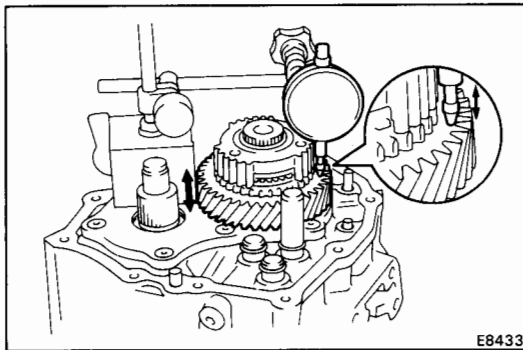
- (a) Remove the No. 3 shift fork set bolt.
- (b) Remove the No. 3 hub sleeve and No. 3 shift fork.



### 12. REMOVE FIFTH DRIVEN GEAR

Using SST, remove the 5th driven gear.

SST 09310-17010 (09310-07010, 09310-07020,  
09310-07040, 09310-07050)

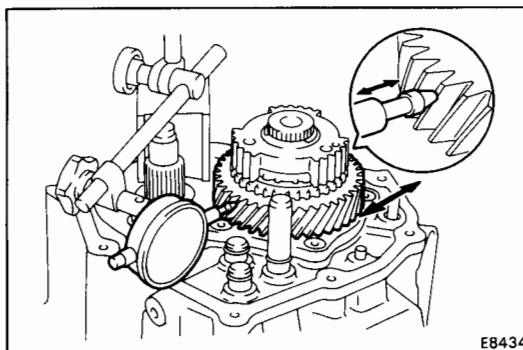


### 13. MEASURE FIFTH GEAR THRUST CLEARANCE AND OIL CLEARANCE

- (a) Using a dial indicator, measure the thrust clearance.

**Standard clearance:** 0.10 – 0.57 mm  
(0.0039 – 0.0224 in.)

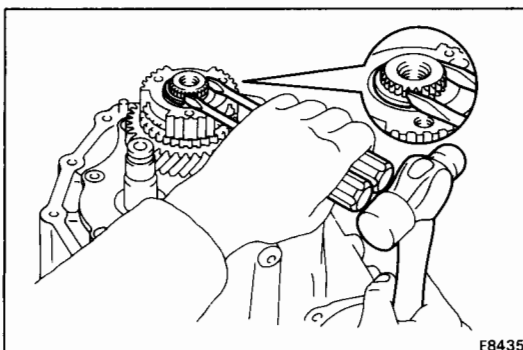
**Maximum clearance:** 0.65 mm (0.0256 in.)



- (b) Using a dial indicator, measure the oil clearance.

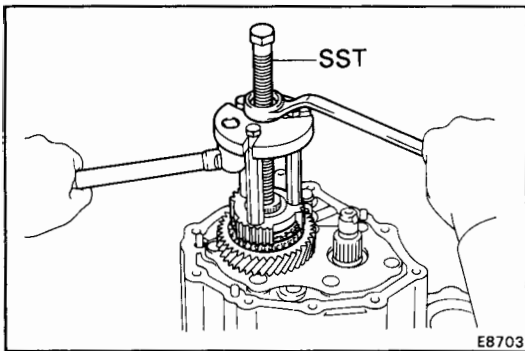
**Standard clearance:** 0.009 – 0.050 mm  
(0.0004 – 0.0020 in.)

**Maximum clearance:** 0.070 mm (0.0028 in.)



### 14. REMOVE NO. 3 CLUTCH HUB AND FIFTH GEAR

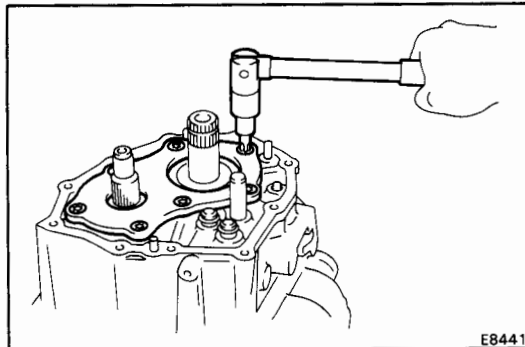
- (a) Using two screwdrivers and a hammer, tap out the snap ring.



- (b) Using SST, remove the No. 3 clutch hub with synchronizer ring and 5th gear.

SST 09310-17010 (09310-07010, 09310-07020, 09310-07040, 09310-07050)

#### 15. REMOVE NEEDLE ROLLER BEARING AND SPACER

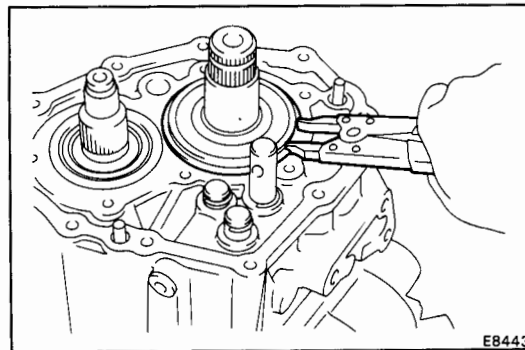


#### 16. REMOVE REAR BEARING RETAINER

- (a) Using a torx socket wrench, remove the seven torx screws and bearing retainer.

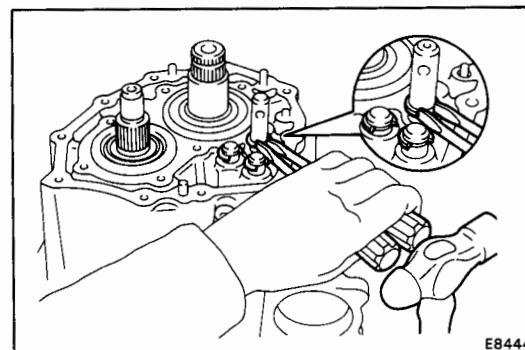
Torx wrench T45 09042-00050

- (b) Remove the adjust shim.

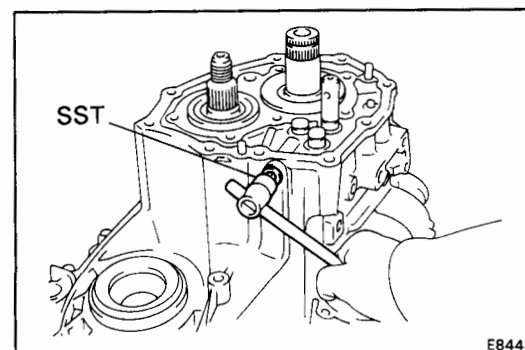


#### 17. REMOVE SNAP RING

- (a) Using snap ring pliers, remove the snap ring.



- (b) Using two screwdrivers and a hammer, remove the three snap rings.

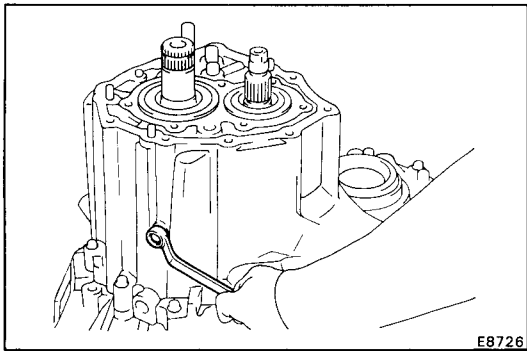


#### 18. REMOVE PLUG, SEAT, SPRING AND LOCKING BALL

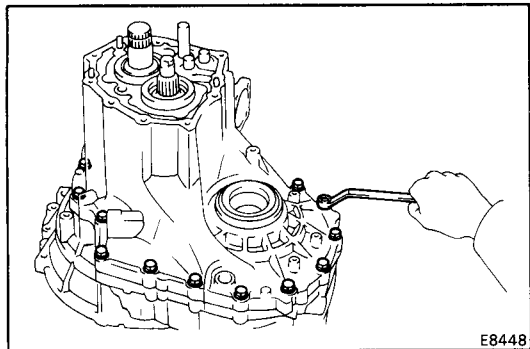
- (a) Using SST, remove the plug.

SST 09313-30021

- (b) Using a magnetic finger, remove the seat, spring and locking ball.

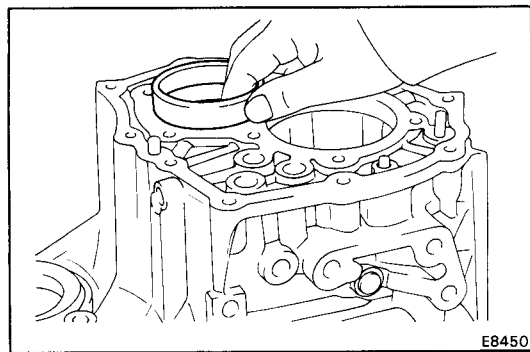


**19. REMOVE REVERSE IDLER GEAR SHAFT RETAINING BOLT**

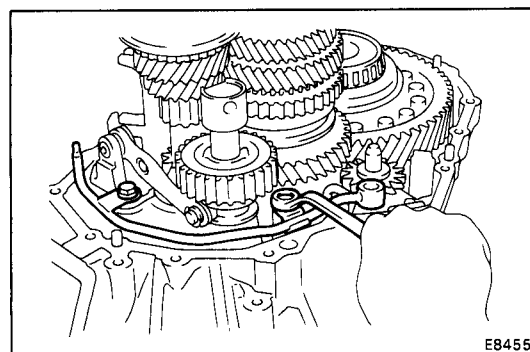


**20. REMOVE TRANSMISSION CASE**

Remove the seventeen bolts and tap off the case with a plastic hammer.

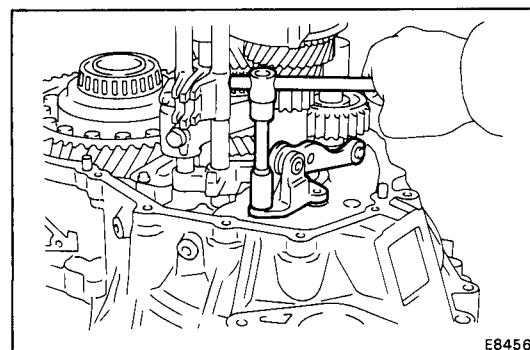


**21. REMOVE OUTPUT SHAFT REAR TAPERED ROLLER BEARING OUTER RACE**



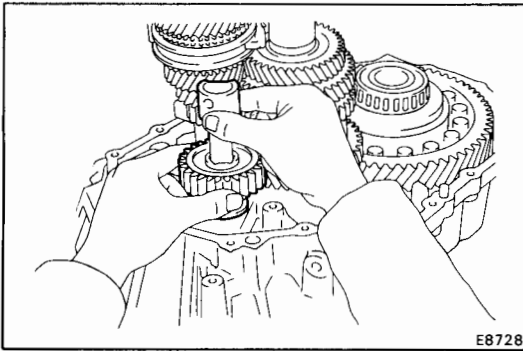
**22. REMOVE NO. 2 OIL PIPE**

- (a) Remove the gasket.
- (b) Remove the two bolts and oil pipe.



**23. REMOVE REVERSE SHIFT ARM BRACKET**

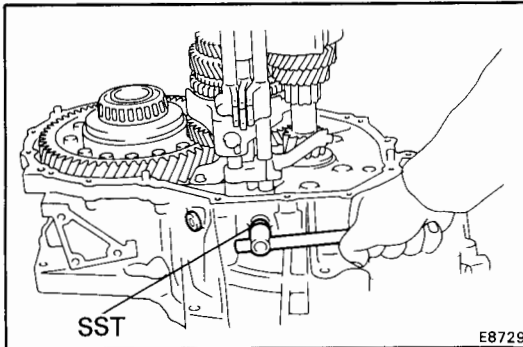
Remove the two bolts and pull off the bracket.



E8728

**24. REMOVE REVERSE IDLER GEAR AND SHIFT**

Pull out the shift, remove the reverse idler gear.



SST

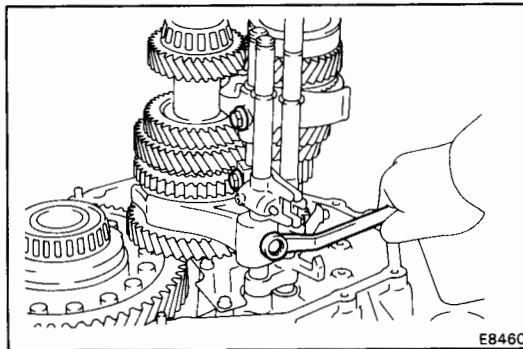
E8729

**25. REMOVE STRAIGHT SCREW, LOCKING BALLS AND SPRINGS**

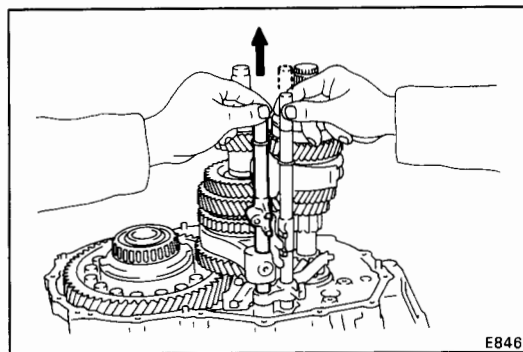
(a) Using SST, remove the two plugs.

SST 09313-30021

(b) Using a magnetic finger, remove the two spring seats, springs and balls.



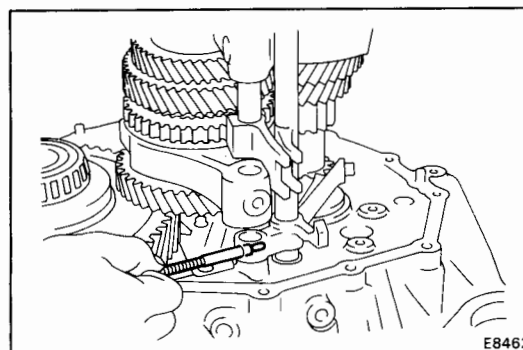
E8460

**26. REMOVE SET BOLT**

E8461

**27. REMOVE NO. 1 SHIFT FORK SHAFT**

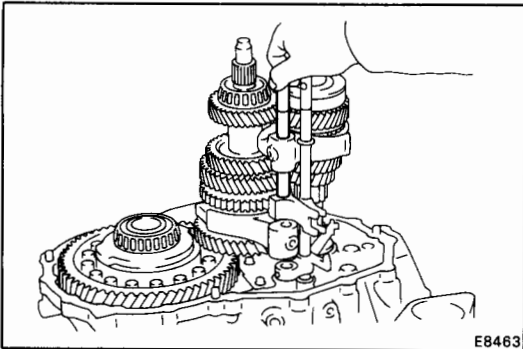
Pull up No. 3 shift fork shaft, remove the No. 1 shift fork shaft.



E8462

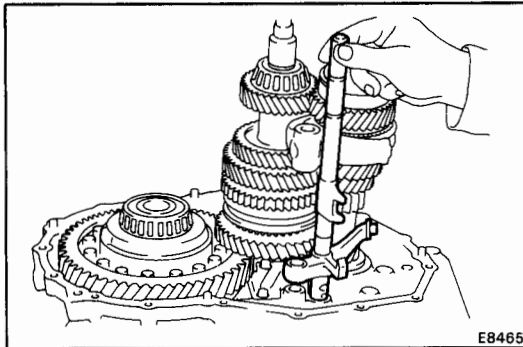
**28. REMOVE INTERLOCK ROLLER**

Using a magnetic finger, remove the interlock roller from the reverse shift fork.



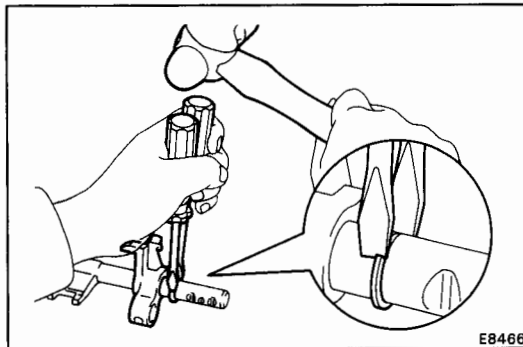
**29. REMOVE NO. 2 SHIFT FORK SHAFT, SHIFT HEAD AND NO. 1 SHIFT FORK**

- (a) Pull out the No. 2 shift fork shaft.
- (b) Remove the shift head and No. 1 shift fork.



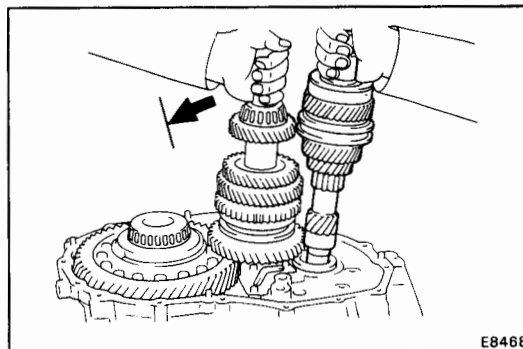
**30. REMOVE NO. 3 SHIFT FORK SHAFT WITH REVERSE SHIFT FORK AND NO. 2 SHIFT FORK**

- (a) Pull out the No. 3 shift fork shaft with reverse shift fork.
- (b) Remove the No. 2 shift fork.



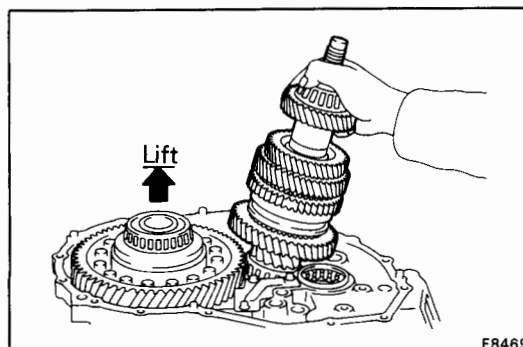
**31. REMOVE SNAP RINGS**

- (a) Using two screwdrivers and a hammer, remove the snap ring and reverse shift fork from the No. 3 shift fork shaft.
- (b) Using two screwdrivers and a hammer, remove the snap rings from the No. 1, No. 2 and No. 3 shift fork shafts.

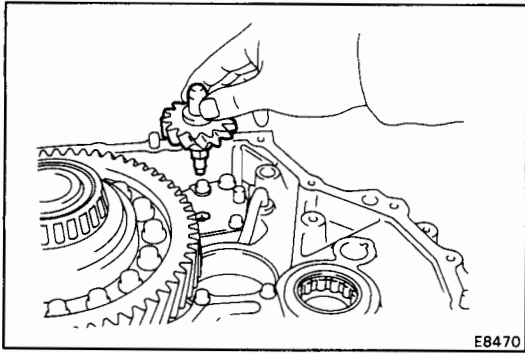


**32. REMOVE INPUT AND OUTPUT SHAFT ASSEMBLY**

- (a) Leaning the output shaft to the differential side, remove the input shaft assembly.

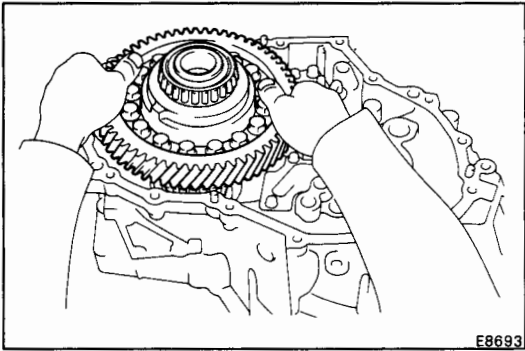


- (b) Lift up the differential case assembly, remove the output shaft.

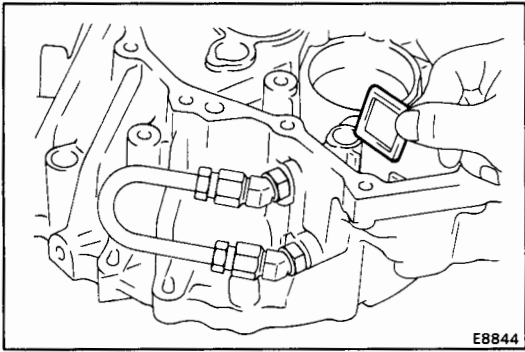


**33. REMOVE DIFFERENTIAL ASSEMBLY**

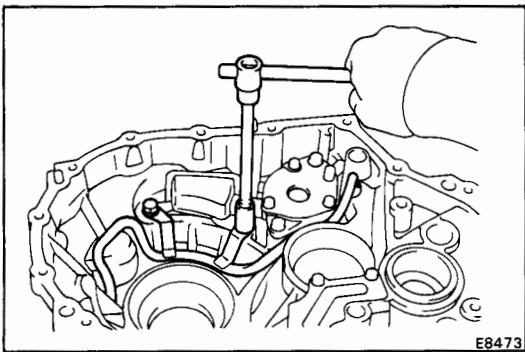
(a) Remove the oil pump drive gear.



(b) Remove the differential case assembly.

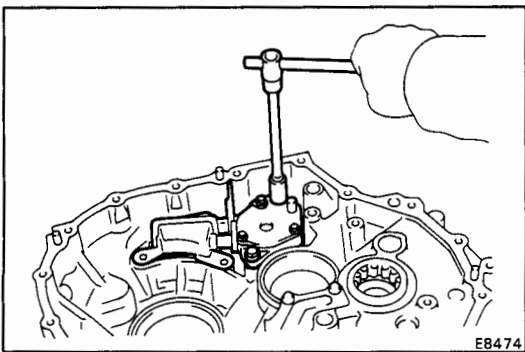


**34. REMOVE MAGNET FROM TRANSAXLE CASE**



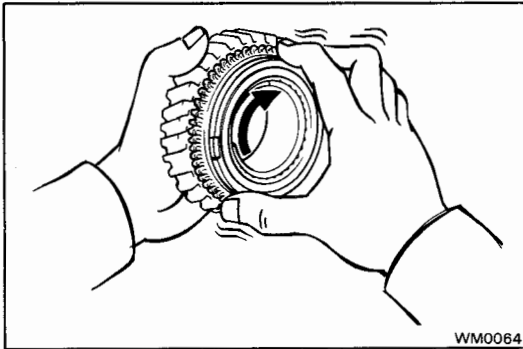
**35. REMOVE OIL PUMP ASSEMBLY**

(a) Remove the two bolts and oil pipe.



(b) Remove the two bolts and oil pump.

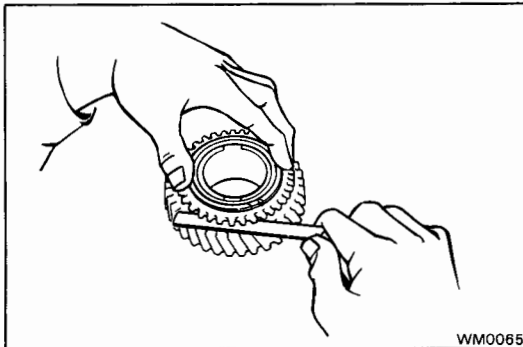




## INSPECTION OF COMPONENT PARTS

### 1. INSPECT SYNCHRONIZER RING FOR FIFTH GEAR

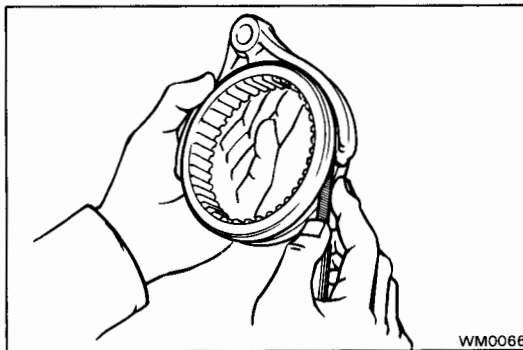
- (a) Check for wear or damage.
- (b) Turn the ring and push it in to check the braking action.



- (c) Measure the clearance between the synchronizer ring back and the gear spline end.

**Minimum clearance: 0.6 mm (0.024 in.)**

If the clearance is less than the limit, replace the synchronizer ring.

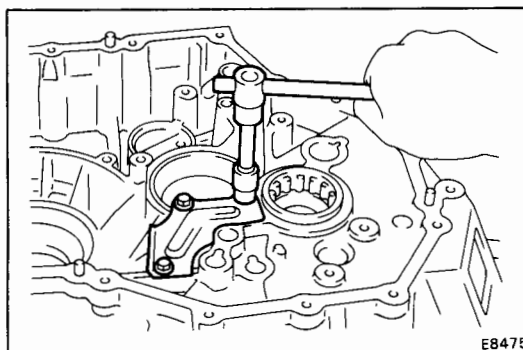


### 2. MEASURE CLEARANCE OF SHIFT FORKS AND HUB SLEEVE

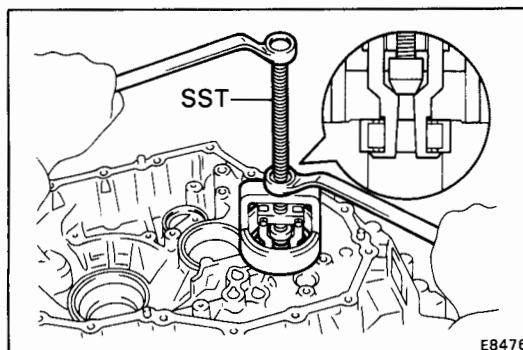
Using a feeler gauge, measure the clearance between the hub sleeve and shift fork.

**Maximum clearance: 1.0 mm (0.039 in.)**

If the clearance exceeds the limit, replace the shift fork or hub sleeve.

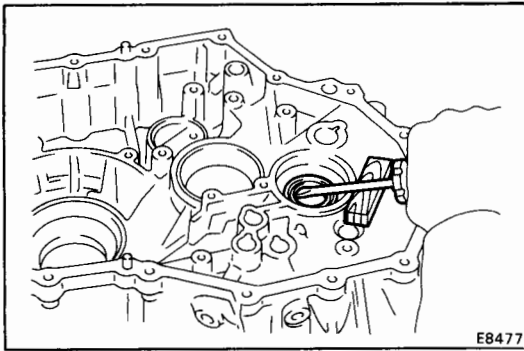


### 3. REMOVE TRANSAXLE CASE RECEIVER

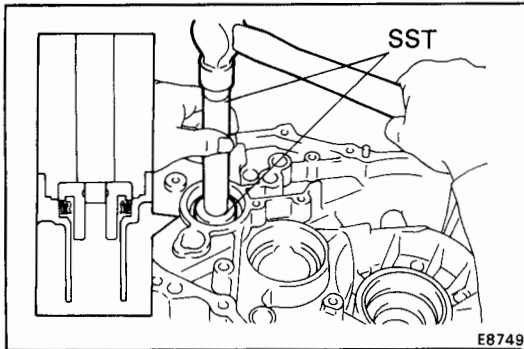


### 4. IF NECESSARY, REPLACE INPUT SHAFT BEARING AND OIL SEAL

- (a) Using SST, pull out the bearing.  
SST 09612-65014

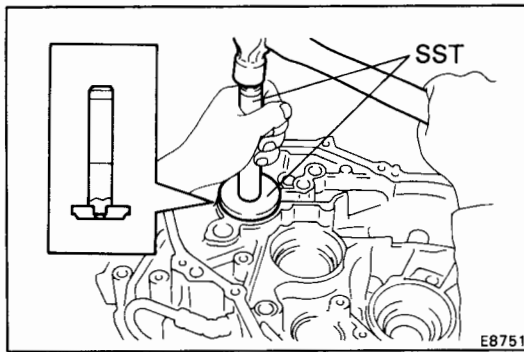


(b) Using a screwdriver, remove the oil seal.



(c) Using SST, drive in a new oil seal.  
SST 09608-12010 (09608-00020, 09608-00080)

(d) Coat the lip of seal with MP grease.



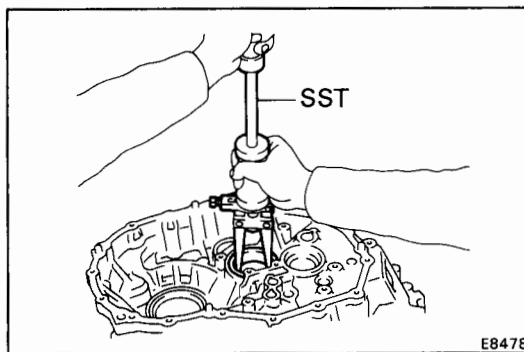
(e) Using SST, drive in a new bearing.  
SST 09608-12010 (09608-00020, 09608-00060)

**5. IF NECESSARY, REPLACE OUTPUT SHAFT FRONT OUTER RACE AND OUTPUT SHAFT COVER**

(a) Using SST, pull out the outer race.

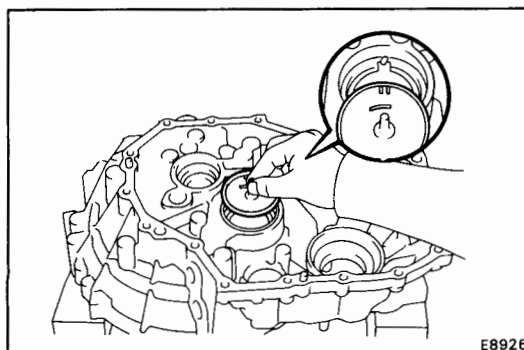
SST 09308-00010

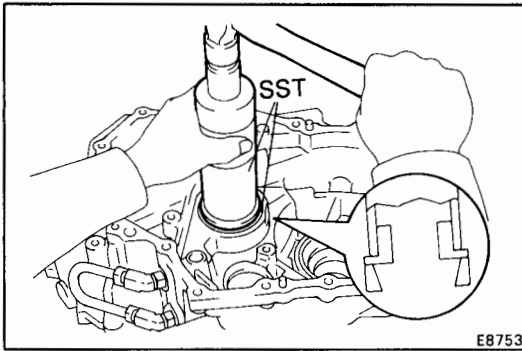
(b) Remove the output shaft cover.



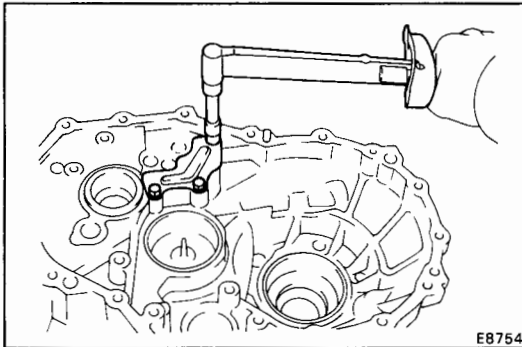
(c) Install the output shaft front cover.

**NOTE:** Install the shaft cover projection into the case side groove.

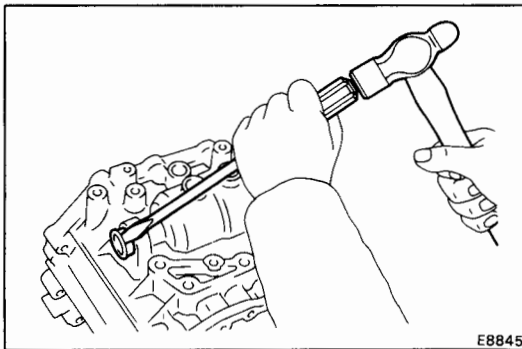




- (d) Using SST, press in a new outer race.  
SST 09316-60010 (09316-00010, 09316-00020)

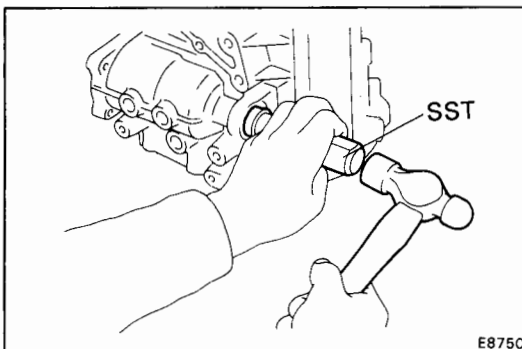


- 6. INSTALL AND TORQUE TRANSAXLE CASE RECEIVER**  
Torque: 75 kg-cm (65 in.-lb, 7.4 N·m)

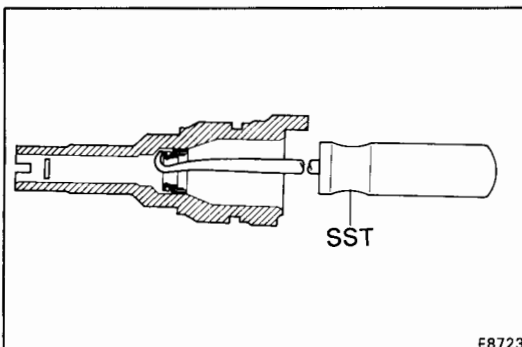


- 7. IF NECESSARY, REPLACE SHIFT CONTROL SHAFT OIL SEAL**

- (a) Using a screwdriver and hammer, remove the oil seal.

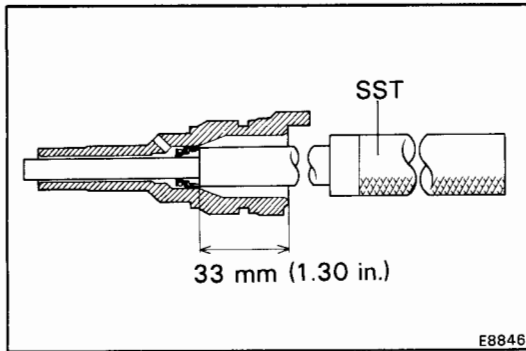


- (b) Using SST, drive in the new oil seal.  
SST 09517-36010  
(c) Coat the lip of oil seal with MP grease.



- 8. IF NECESSARY, REPLACE SPEEDOMETER DRIVEN GEAR OIL SEAL**

- (a) Using SST, pull out the oil seal.  
SST 09921-00010

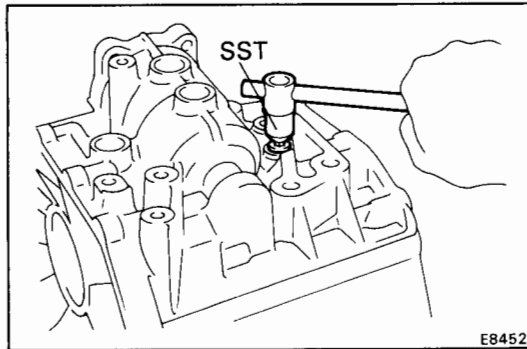


(b) Using SST, drive in a new oil seal.

SST 09201-60011

**Drive in depth: 33 mm (1.30 in.)**

(c) Coat the lip of oil seal with MP grease.

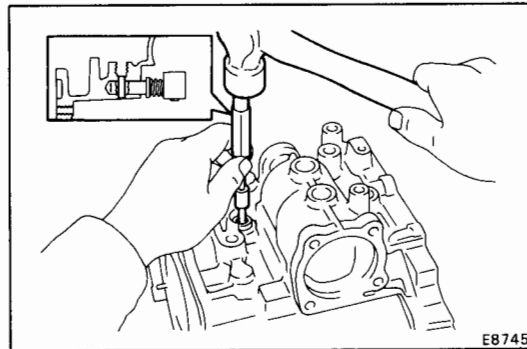


#### 9. IF NECESSARY, REPLACE REVERSE RESTRICT PIN

(a) Using SST, remove the screw plug.

SST 09313-30021

(b) Using a pin punch and hammer, drive out the slotted spring pin.



(c) Replace the reverse restrict pin.

(d) Using a pin punch and hammer, drive in the slotted spring pin.

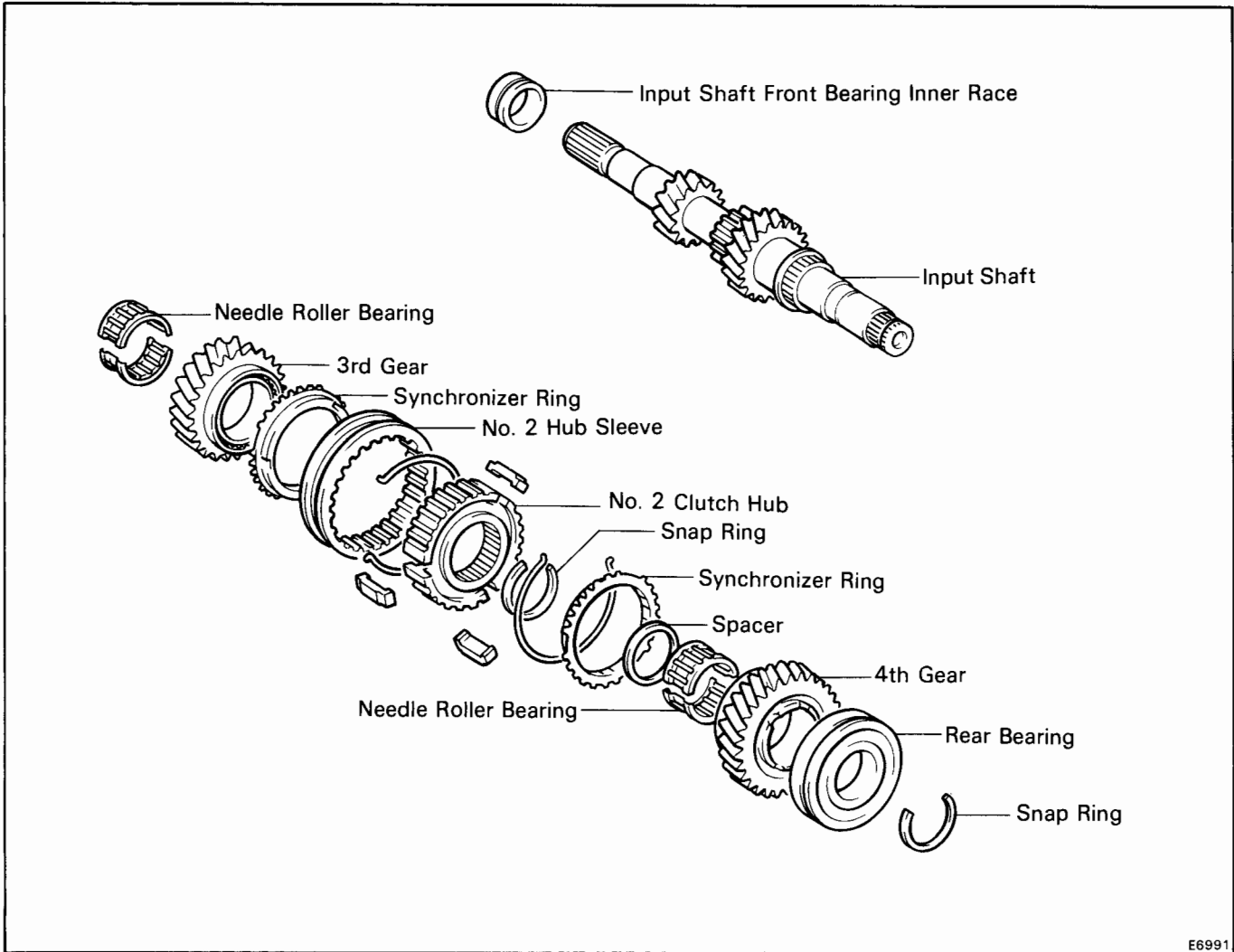
(e) Apply liquid sealant to the plug threads.

**Sealant: Part No. 08833-00080, THREE BOND 1344, LOCTITE 242 or equivalent**

(f) Using SST, install the screw plug.

SST 09313-30021

### INPUT SHAFT ASSEMBLY



E6991

### DISASSEMBLY OF INPUT SHAFT ASSEMBLY

#### 1. MEASURE THIRD AND FOURTH GEAR THRUST CLEARANCE

Using a feeler gauge, measure the thrust clearance.

**Standard clearance:**

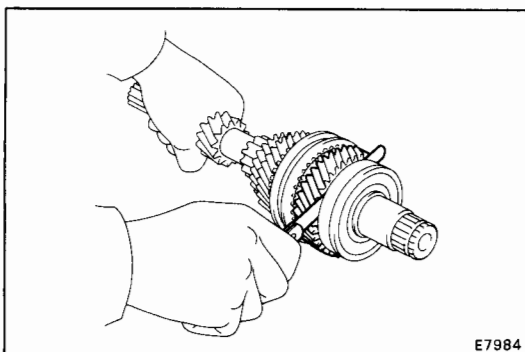
3rd gear 0.10 – 0.35 mm  
(0.0039 – 0.0138 in.)

4th gear 0.10 – 0.55 mm  
(0.0039 – 0.0217 in.)

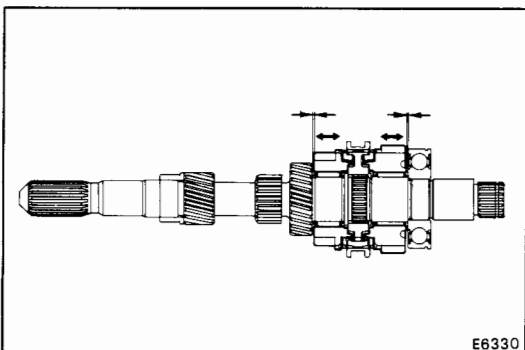
**Maximum clearance:**

3rd gear 0.40 mm (0.0157 in.)

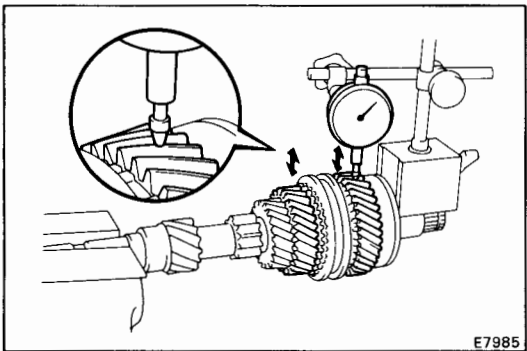
4th gear 0.60 mm (0.0236 in.)



E7984



E6330



## 2. CHECK OIL CLEARANCE OF THIRD AND FOURTH GEAR

Using dial indicator, measure the oil clearance between the gear and shaft.

**Standard clearance:**

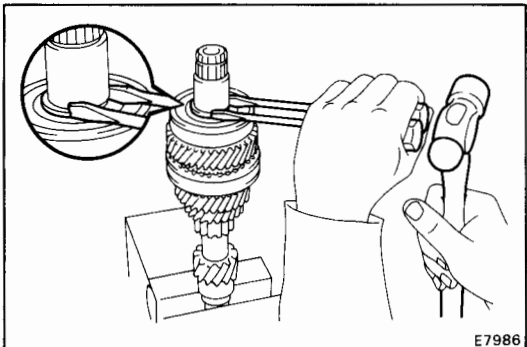
**3rd gear** 0.009 – 0.053 mm  
(0.0004 – 0.0020 in.)

**4th gear** 0.009 – 0.051 mm  
(0.0004 – 0.0020 in.)

**Maximum clearance:**

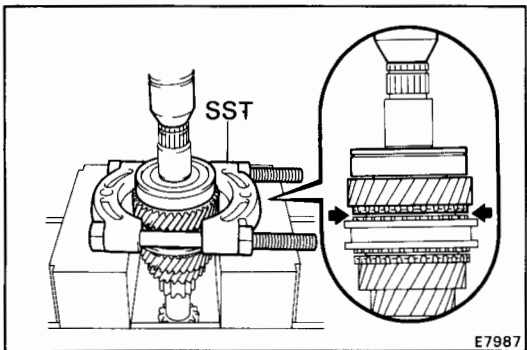
**3rd and 4th gear** 0.070 mm (0.0028 in.)

If clearance exceeds the limit, replace the gear, needle roller bearing or shaft.



## 3. REMOVE SNAP RING

Using two screwdrivers and a hammer, tap out the snap ring.

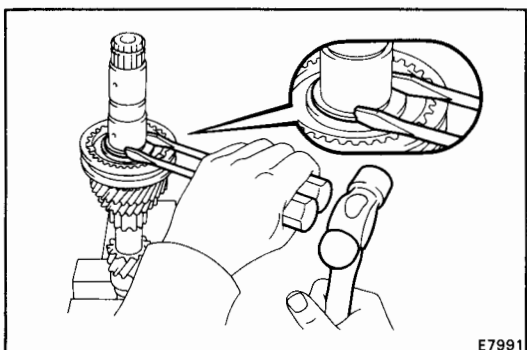


## 4. REMOVE RADIAL BALL BEARING AND FOURTH GEAR

Using SST and a press, remove the radial ball bearing.

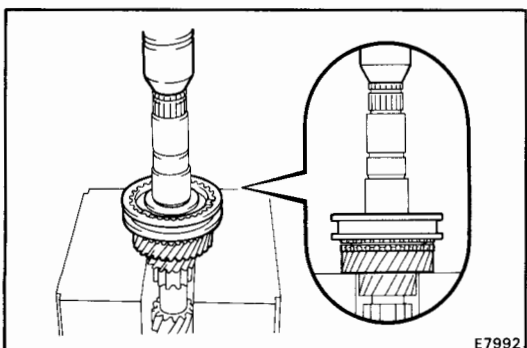
SST 09950-00020

## 5. REMOVE NEEDLE ROLLER BEARINGS, SPACER AND SYNCHRONIZER RING



## 6. REMOVE SNAP RING

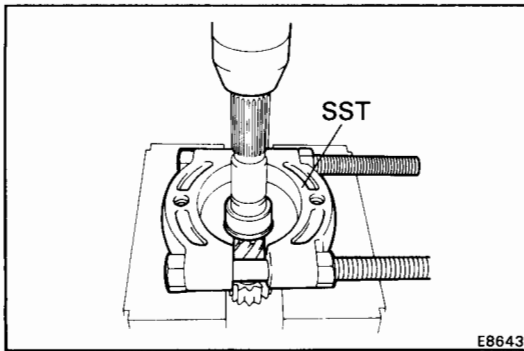
Using two screwdrivers and a hammer, tap out the snap ring.



## 7. REMOVE NO. 2 CLUTCH HUB ASSEMBLY, SYNCHRONIZER RING AND THIRD GEAR

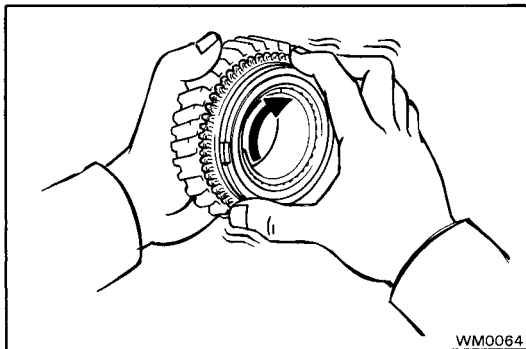
Using a press, remove No. 2 hub sleeve, 3rd gear, synchronizer ring and needle roller bearings.

## 8. REMOVE NEEDLE ROLLER BEARING



**9. REMOVE INPUT SHAFT FRONT BEARING INNER RACE**

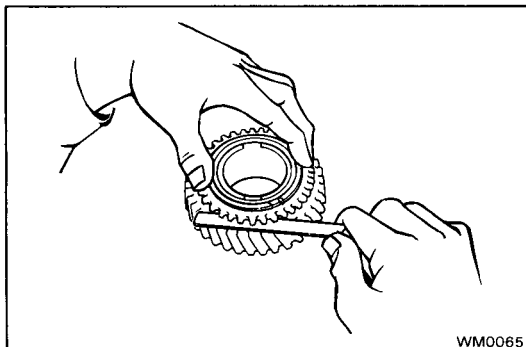
Using SST and a press, remove the inner race.  
SST 09950-00020



## INSPECTION OF INPUT SHAFT COMPONENT PARTS

### 1. INSPECT SYNCHRONIZER RINGS

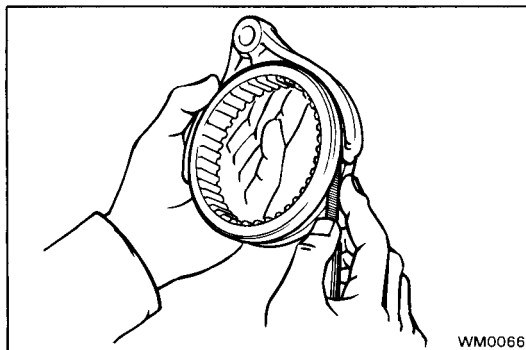
- (a) Check for wear or damage.
- (b) Turn the ring and push it in to check the braking action.



- (c) Measure the clearance between the synchronizer ring back and the gear spline end.

**Minimum clearance: 0.6 mm (0.024 in.)**

If the clearance is less than the limit, replace the synchronizer ring.

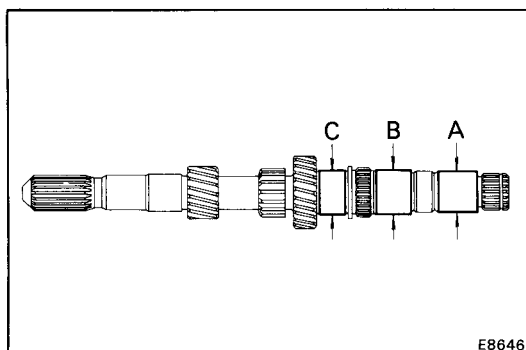


### 2. MEASURE CLEARANCE OF NO. 2 SHIFT FORK AND HUB SLEEVE

Using a feeler gauge, measure the clearance between the hub sleeve and shift fork.

**Maximum clearance: 1.0 mm (0.039 in.)**

If the clearance exceeds the limit, replace the shift fork or hub sleeve.

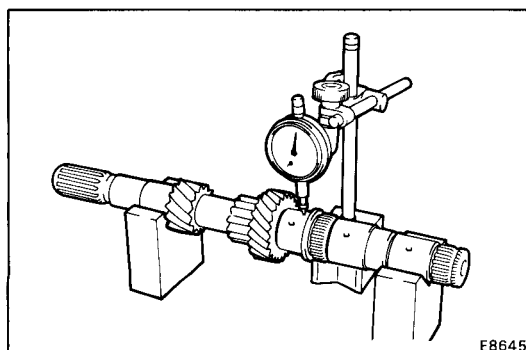


### 3. INSPECT INPUT SHAFT

- (a) Check the input shaft for wear or damage.
- (b) Using a micrometer, measure the outer diameter of the input shaft journal surface.

**Minimum outer diameter:**

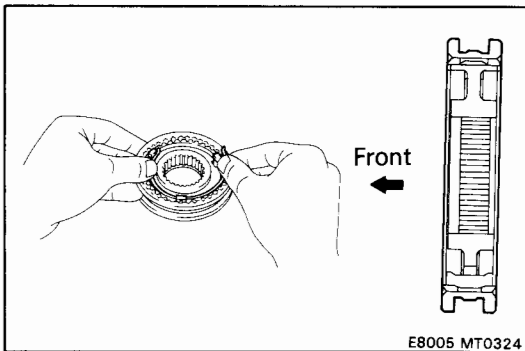
Part A	32.930 mm (1.2965 in.)
B and C	35.950 mm (1.4154 in.)



- (c) Using a dial indicator, check the shaft runout.

**Maximum runout: 0.05 mm (0.0020 in.)**





## ASSEMBLY OF INPUT SHAFT ASSEMBLY

(See page MT-53)

NOTE: Coat all of the sliding and rotating surface with gear oil before assembly.

### 1. INSERT NO. 2 CLUTCH HUB INTO HUB SLEEVE

- (a) Install the clutch hub and shifting keys to the hub sleeve.
- (b) Install the shifting key springs under the shifting keys.

**CAUTION:** Install the shifting key springs positioned so that their end gaps are not in line.

### 2. INSTALL NEEDLE ROLLER BEARING, THIRD GEAR, SYNCHRONIZER RING AND NO. 2 HUB SLEEVE ASSEMBLY TO INPUT SHIFT

- (a) Apply MP grease to the needle roller bearings.
- (b) Install the 3rd gear.
- (c) Place the synchronizer ring on the gear and align the ring slots with the shifting keys.
- (d) Using SST and a press, install the 3rd gear and No. 2 hub sleeve.

SST 09316-60010 (09316-00010, 09316-00050)

### 3. INSTALL SNAP RING

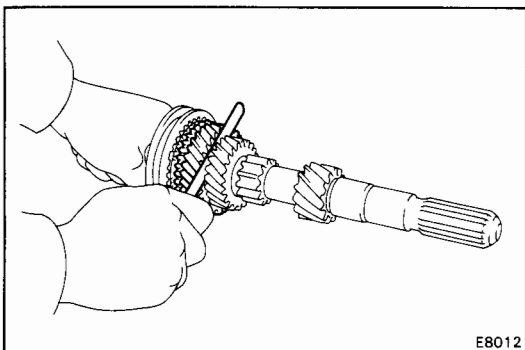
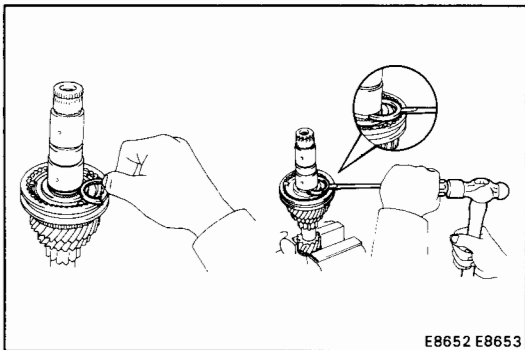
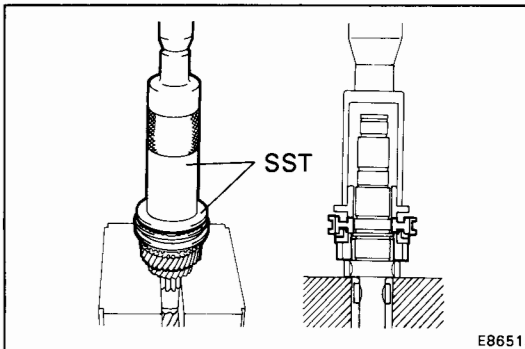
Select a snap ring that will allow minimum axial play and install it on the shaft.

Mark	Thickness mm (in.)	Mark	Thickness mm (in.)
H	2.30 (0.0906)	M	2.50 (0.0984)
J	2.35 (0.0925)	N	2.55 (0.1004)
K	2.40 (0.0945)	P	2.60 (0.1024)
L	2.45 (0.0965)		

### 4. MEASURE THIRD GEAR THRUST CLEARANCE

Using a feeler gauge, measure the 3rd gear thrust clearance.

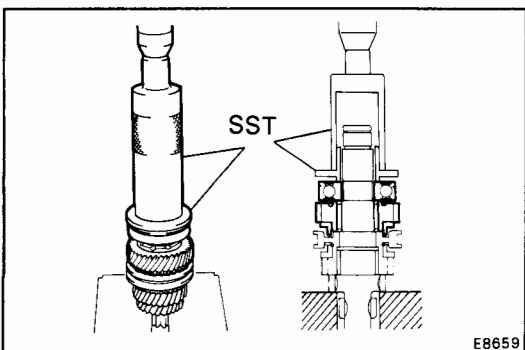
**Standard clearance: 0.10 – 0.35 mm  
(0.0039 – 0.0138 in.)**

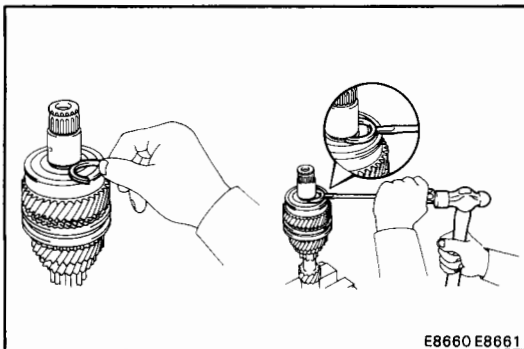


### 5. INSTALL SPACER, SYNCHRONIZER RING, NEEDLE ROLLER BEARINGS, FOURTH GEAR AND RADIAL BALL BEARING

- (a) Install the spacer.
- (b) Apply MP grease to the needle roller bearings.
- (c) Place the synchronizer ring on the gear and align the ring slots with the shifting keys.
- (d) Install the 4th gear.
- (e) Using SST and a press, install the radial ball bearing.

SST 09316-60010 (09316-00010, 09316-00020)



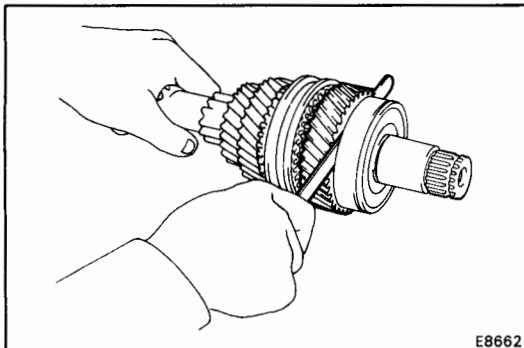


E8660 E8661

## 6. INSTALL SNAP RING

Select a snap ring that will allow minimum axial play and install it on the shaft.

Mark	Thickness mm (in.)	Mark	Thickness mm (in.)
1	2.35 (0.0925)	5	2.55 (0.1004)
2	2.40 (0.0945)	6	2.60 (0.1024)
3	2.45 (0.0965)	7	2.65 (0.1043)
4	2.50 (0.0984)	8	2.70 (0.1063)

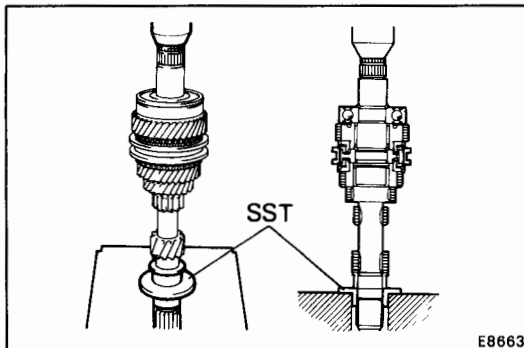


E8662

## 7. MEASURE FOURTH GEAR THRUST CLEARANCE

Using a feeler gauge, measure the 4th gear thrust clearance.

**Standard clearance: 0.10 – 0.55 mm  
(0.0039 – 0.0217 in.)**



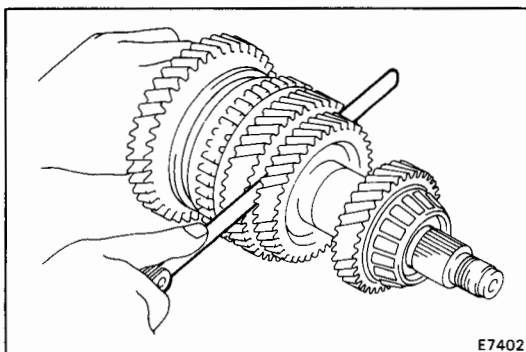
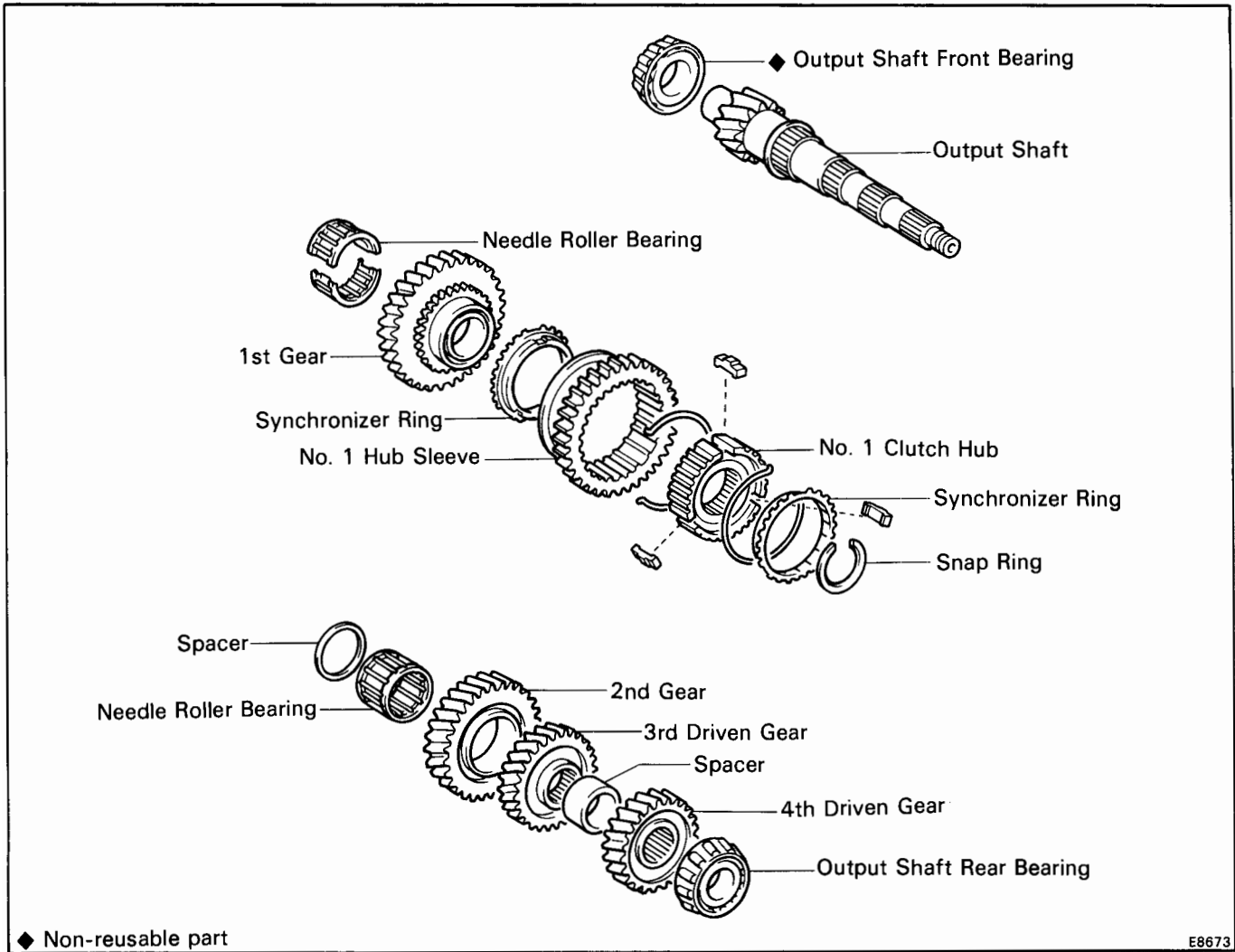
E8663

## 8. INSTALL INPUT SHAFT FRONT BEARING INNER RACE

Using SST and a press, install the input shaft front bearing inner race.

SST 09316-60010 (09316-00020)

## OUTPUT SHAFT ASSEMBLY



### DISASSEMBLY OF OUTPUT SHAFT ASSEMBLY

#### 1. MEASURE FIRST AND SECOND GEAR THRUST CLEARANCE

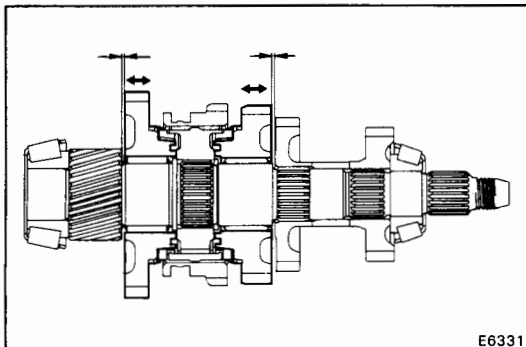
Using a feeler gauge, measure the thrust clearance.

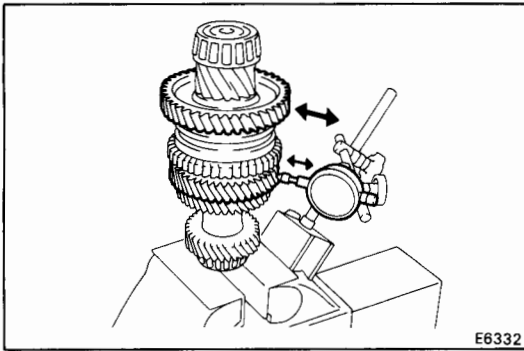
**Standard clearance:**

1st gear	0.10 – 0.35 mm
	0.0039 – 0.0138 in.)
2nd gear	0.10 – 0.45 mm
	(0.0039 – 0.0177 in.)

**Maximum clearance:**

1st gear	0.40 mm (0.0157 in.)
2nd gear	0.50 mm (0.0197 in.)





E6332

## 2. CHECK OIL CLEARANCE OF FIRST AND SECOND GEAR

Using dial indicator, measure the oil clearance between the gear and shaft.

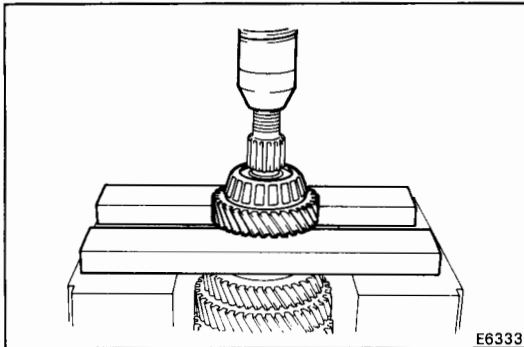
**Standard clearance:**

1st gear	0.009 – 0.051 mm (0.0004 – 0.0020 in.)
2nd gear	0.009 – 0.053 mm (0.0004 – 0.0020 in.)

**Maximum clearance:**

1st and 2nd gear	0.070 mm (0.0028 in.)
------------------	-----------------------

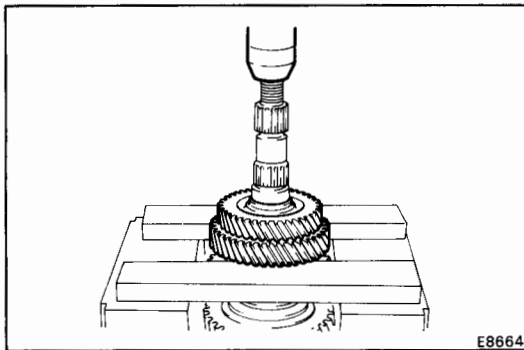
If the clearance exceeds the limit, replace the gear, needle roller bearing or shaft.



E6333

## 3. REMOVE OUTPUT SHAFT REAR BEARING, FOURTH DRIVEN GEAR AND SPACER

- (a) Using a press, remove the bearing and 4th driven gear.
- (b) Remove the spacer.

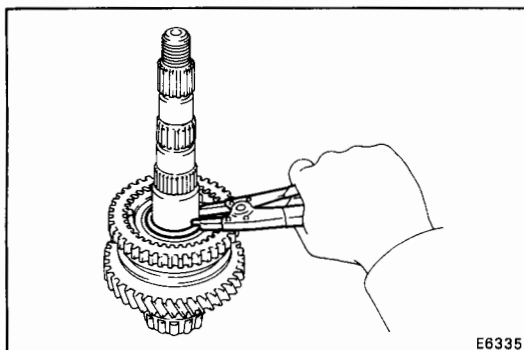


E8664

## 4. REMOVE THIRD DRIVEN GEAR AND SECOND GEAR

Using a press, remove the 3rd driven gear and 2nd gear.

## 5. REMOVE NEEDLE ROLLER BEARINGS, SPACER AND SYNCHRONIZER RING



E6335

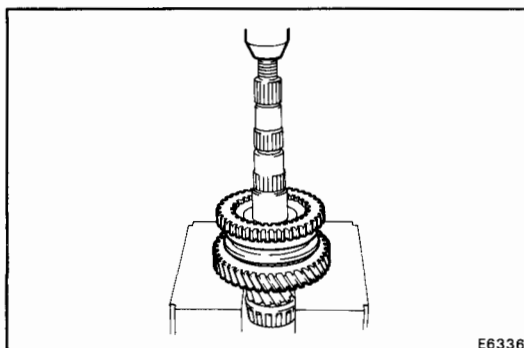
## 6. REMOVE SNAP RING

Using snap ring pliers, remove the snap ring.

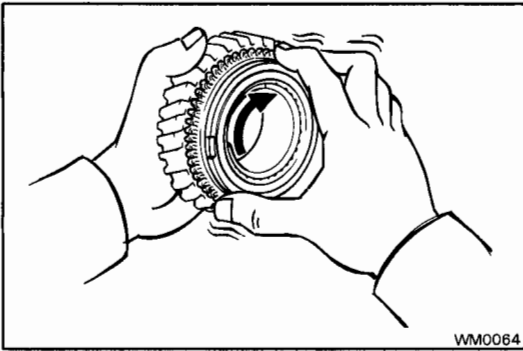
## 7. REMOVE NO. 1 HUB SLEEVE ASSEMBLY AND FIRST GEAR

Using a press, remove No. 1 hub sleeve and 1st gear.

## 8. REMOVE SYNCHRONIZER RING AND NEEDLE ROLLER BEARING



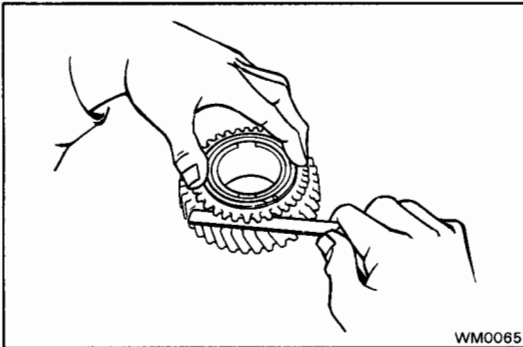
E6336



## INSPECTION OF OUTPUT SHAFT COMPONENT PARTS

### 1. INSPECT SYNCHRONIZER RINGS

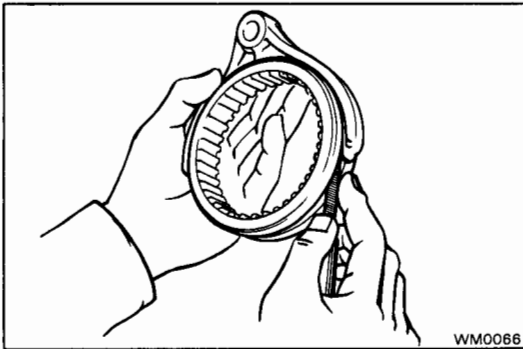
- (a) Check for wear or damage.
- (b) Turn the ring and push it in to check the braking action.



- (c) Measure the clearance between the synchronizer ring back and the gear spline end.

**Maximum clearance: 0.6 mm (0.024 in.)**

If the clearance is less than the limit, replace the synchronizer ring.

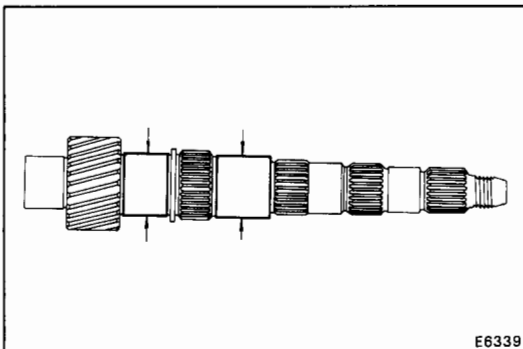


### 2. MEASURE CLEARANCE OF NO. 1 SHIFT FORK AND HUB SLEEVE

Using a feeler gauge, measure the clearance between the hub sleeve and shift fork.

**Maximum clearance: 1.0 mm (0.039 in.)**

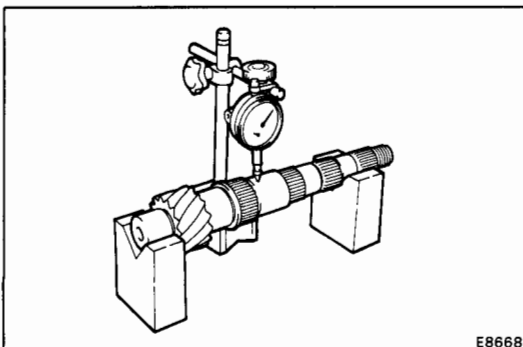
If the clearance exceeds the limit, replace the shift fork or hub sleeve.



### 3. INSPECT OUTPUT SHAFT

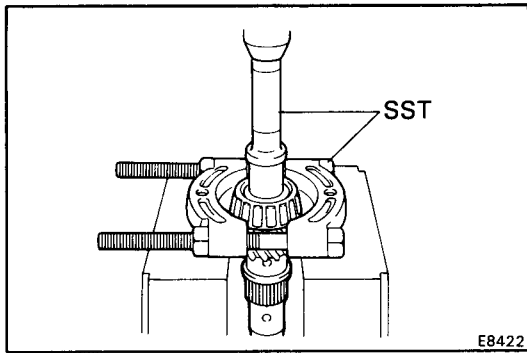
- (a) Check the output shaft for wear or damage.
- (b) Using a micrometer, measure the outer diameter of the output shaft journal surface.

**Minimum outer diameter: 38.950 mm (1.5335 in.)**



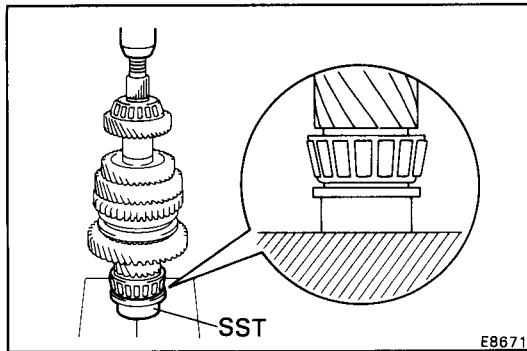
- (c) Using a dial indicator, check the shaft runout.

**Maximum runout: 0.06 mm (0.0024 in.)**



**4. IF NECESSARY, REPLACE OUTPUT SHAFT FRONT BEARING**

- (a) Using SST and a press, remove the bearing.  
SST 09307-12010, 09950-00020

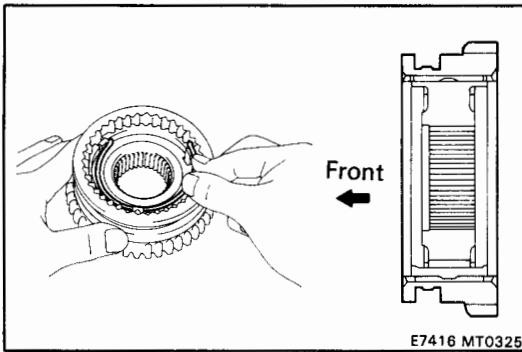


- (b) Using SST and a press, install the new bearing.  
SST 09316-60010 (09316-00070)

## ASSEMBLY OF OUTPUT SHAFT ASSEMBLY

(See page MT-59)

NOTE: Coat all of the sliding and rotating surface with gear oil before assembly.



### 1. INSERT NO. 1 CLUTCH HUB INTO HUB SLEEVE

- (a) Install the clutch hub and shifting keys to the hub sleeve.
- (b) Install the shifting key springs under the shifting keys.

**CAUTION:** Install the key springs positioned so that their end gaps are not in line.

### 2. INSTALL NEEDLE ROLLER BEARING, FIRST GEAR, SYNCHRONIZER RING AND NO. 1 HUB SLEEVE TO OUTPUT SHAFT

- (a) Apply MP grease to the needle roller bearings.
- (b) Install the 1st gear.
- (c) Place the synchronizer ring on the gear and align the ring slots with the shifting keys.
- (d) Using SST and a press, install the 1st gear and No. 1 hub sleeve.

SST 09316-60010 (09316-00040)

### 3. INSTALL SNAP RING

Select a snap ring that will allow minimum axial play and install it on the shaft.

Mark	Thickness mm (in.)	Mark	Thickness mm (in.)
A	2.80 (0.1102)	E	3.00 (0.1181)
B	2.85 (0.1122)	F	3.05 (0.1201)
D	2.90 (0.1142)	G	3.10 (0.1220)
D	2.95 (0.1161)		

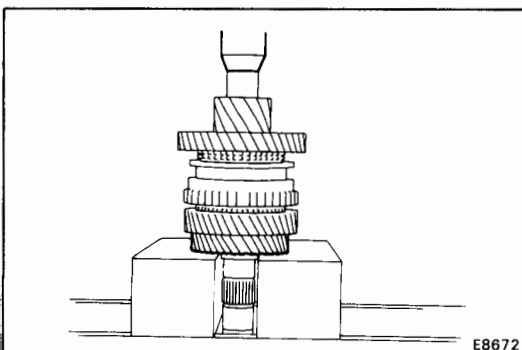
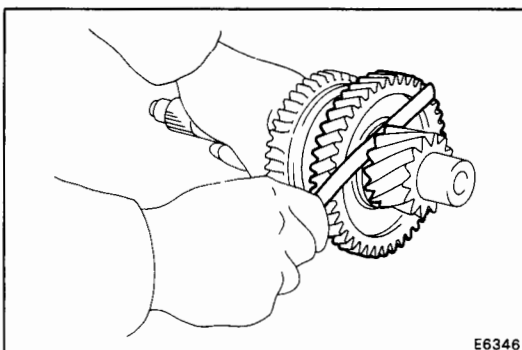
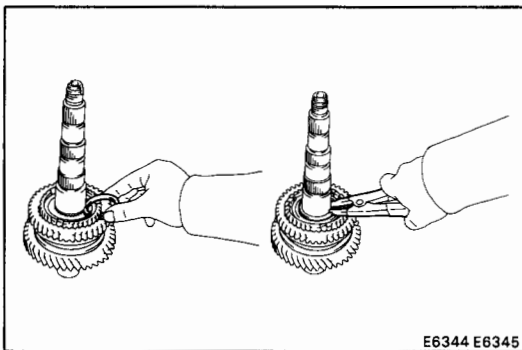
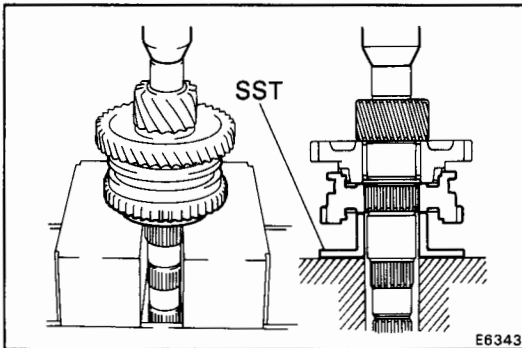
### 4. MEASURE FIRST GEAR THRUST CLEARANCE

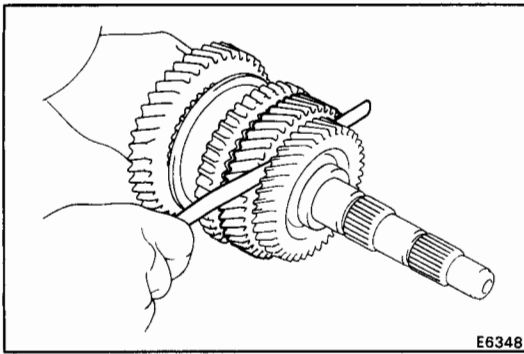
Using a feeler gauge, measure the 1st gear thrust clearance.

**Standard clearance: 0.10 – 0.35 mm  
(0.0039 – 0.0138 in.)**

### 5. INSTALL SPACER, NEEDLE ROLLER BEARING, SYNCHRONIZER RING, SECOND GEAR AND THIRD DRIVEN GEAR

- (a) Install the spacer.
- (b) Apply MP grease to the needle roller bearing.
- (c) Place the synchronizer ring on the gear and align the ring slots with the shifting keys.
- (d) Install the 2nd gear.
- (e) Using a press, install the 3rd driven gear.

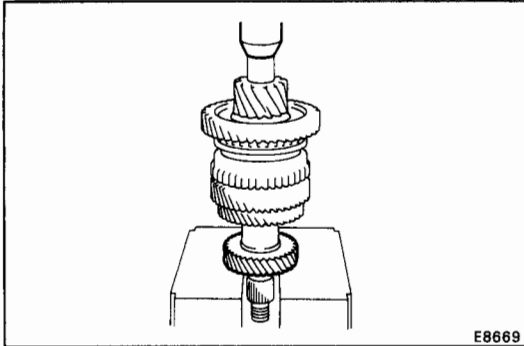




## 6. MEASURE SECOND GEAR THRUST CLEARANCE

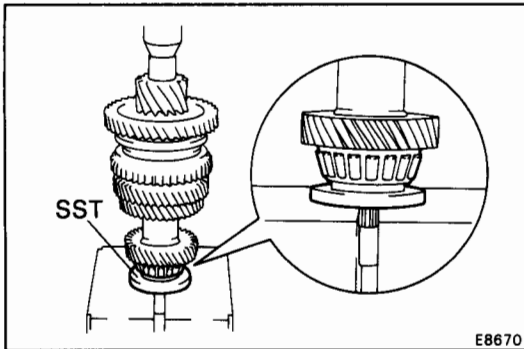
Using a feeler gauge, measure the 2nd gear thrust clearance.

**Standard clearance: 0.10 – 0.55 mm  
(0.0039 – 0.0217 in.)**



## 7. INSTALL SPACER AND FOURTH DRIVEN GEAR

- (a) Install the spacer.
- (b) Using a press, install the 4th driven gear.



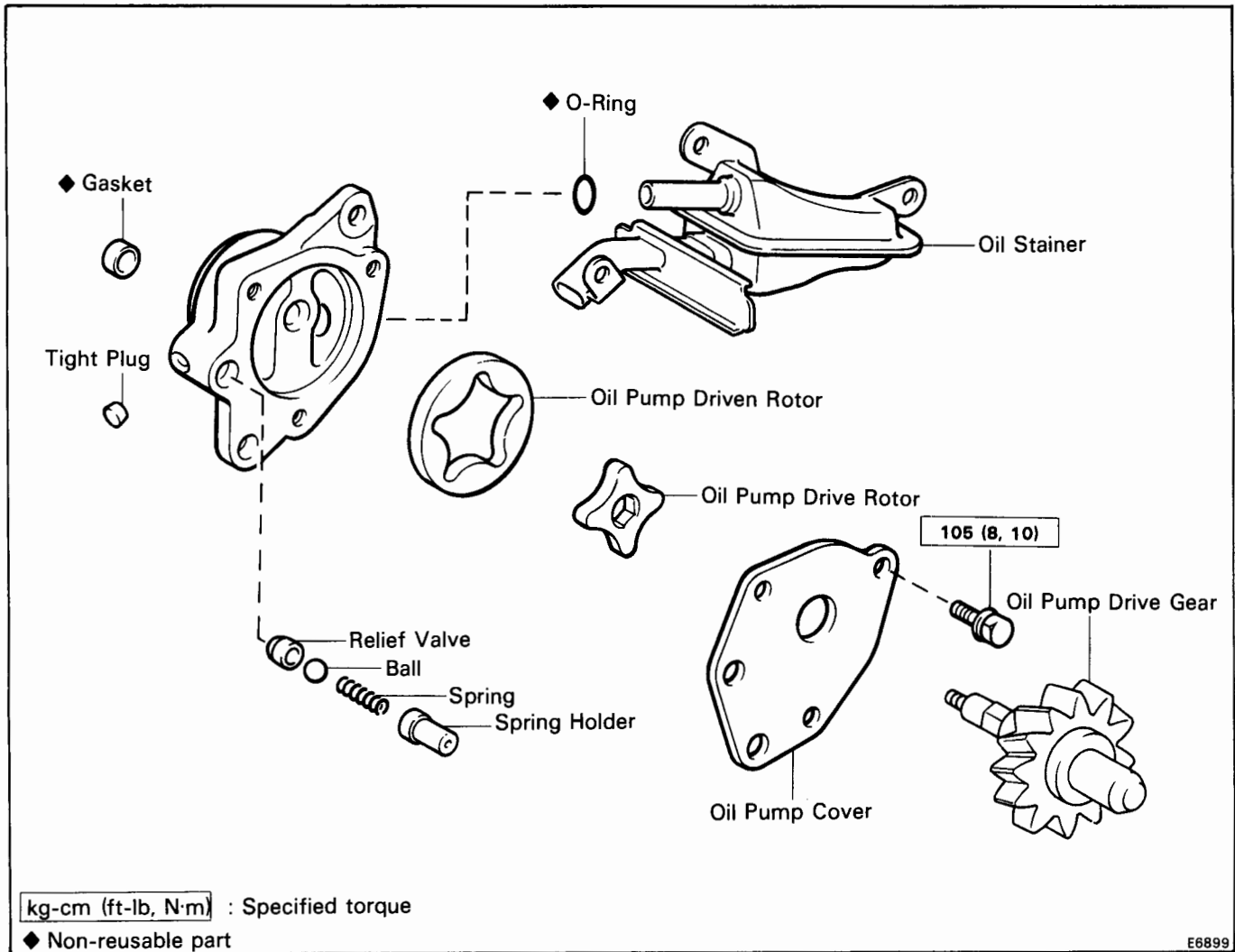
## 8. INSTALL OUTPUT SHAFT REAR BEARING

Using SST and a press, install the bearing.

SST 09506-30012



**OIL PUMP ASSEMBLY**

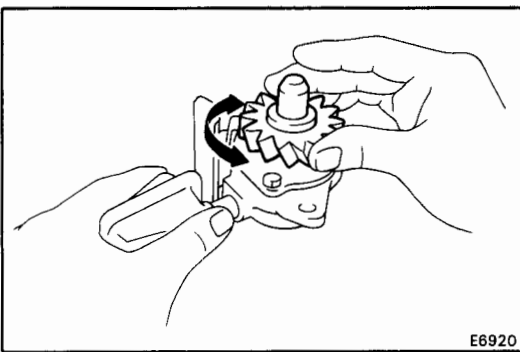


E6899

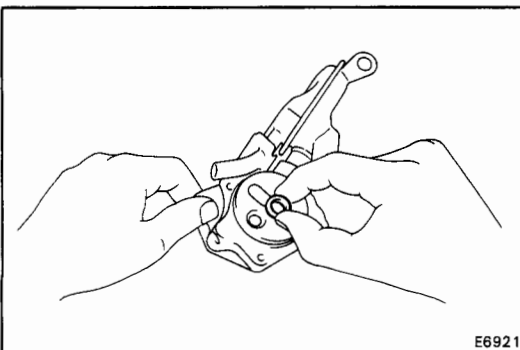
**DISASSEMBLY OF OIL PUMP**

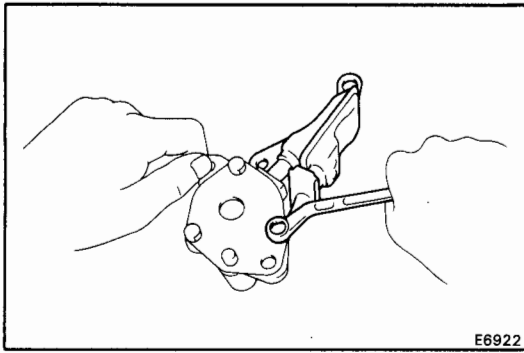
**1. CHECK OPERATION OF OIL PUMP**

Install the oil pump drive gear to the drive rotor, check that the drive rotor turn smoothly.



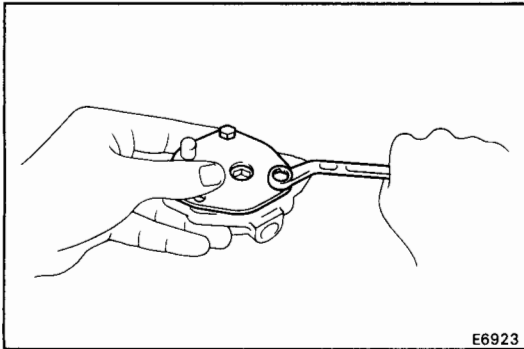
**2. REMOVE GASKET TO OIL PUMP CASE**





E6922

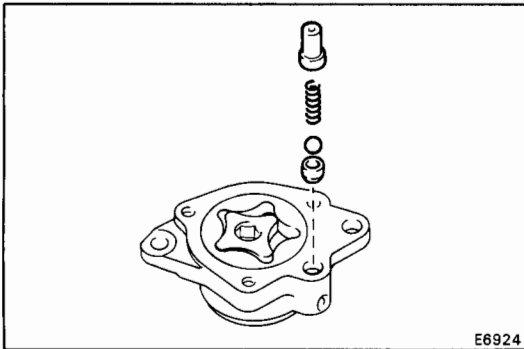
### 3. REMOVE BOLT AND OIL STRAINER



E6923

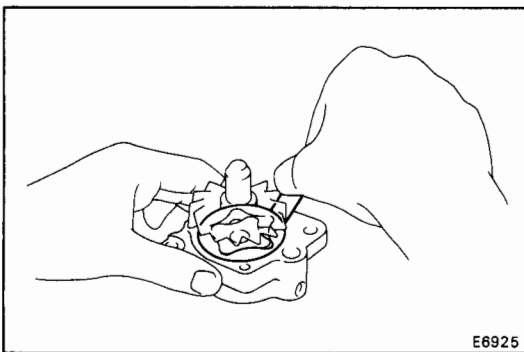
### 4. REMOVE OIL PUMP COVER

- (a) Hold the oil pump cover, remove the two bolts and a cover.



E6924

- (b) Remove the spring holder, spring, ball and relief valve seat.



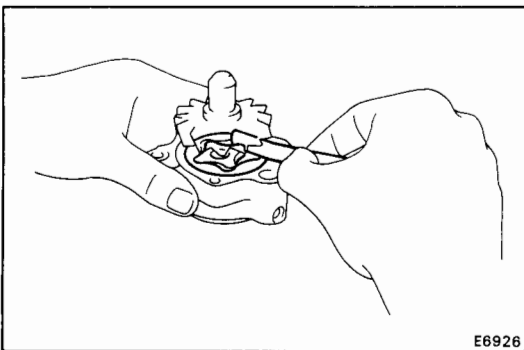
E6925

### 5. CHECK ROTOR BODY CLEARANCE

- (a) Install the oil pump drive gear to the drive rotor.  
 (b) Using a feeler gauge, measure the body clearance between the drive rotor and oil pump case.

**Standard clearance:** 0.10 – 0.16 mm  
 (0.004 – 0.006 in.)

**Maximum clearance:** 0.30 mm (0.012 in.)



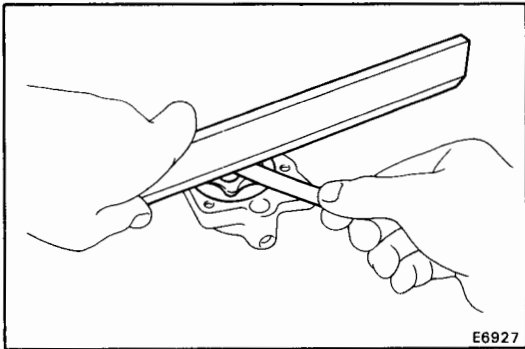
E6926

### 6. CHECK ROTOR TIP CLEARANCE

- (a) Install the oil pump drive gear to the drive rotor.  
 (b) Using a feeler gauge, measure the tip clearance between the drive and driven rotors.

**Standard clearance:** 0.08 – 0.15 mm  
 (0.003 – 0.006 in.)

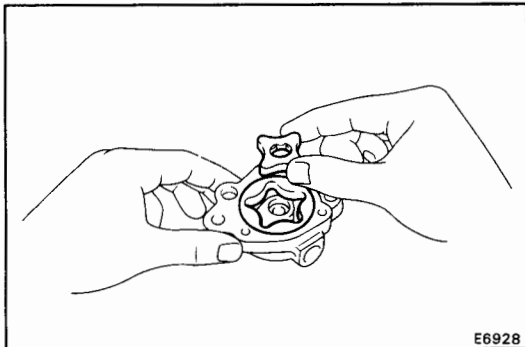
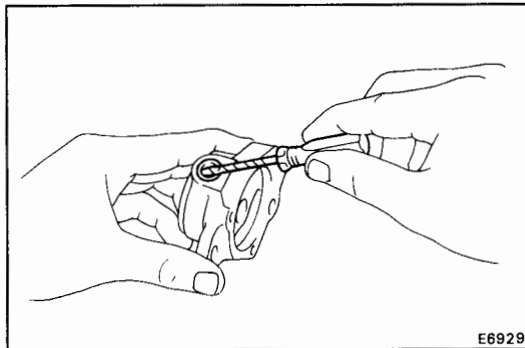
**Maximum clearance:** 0.30 mm (0.012 in.)

**7. CHECK SIDE CLEARANCE**

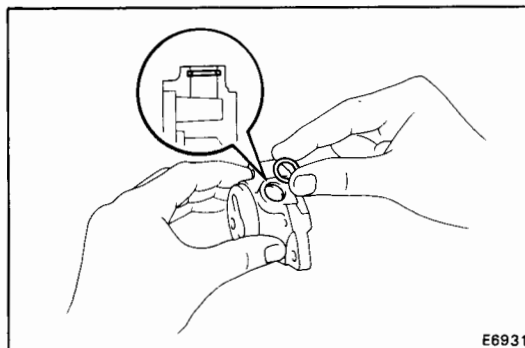
Using a precision straight edge and feeler gauge, measure the side clearance of both rotors.

**Standard clearance:** 0.03 – 0.08 mm  
(0.001 – 0.003 in.)

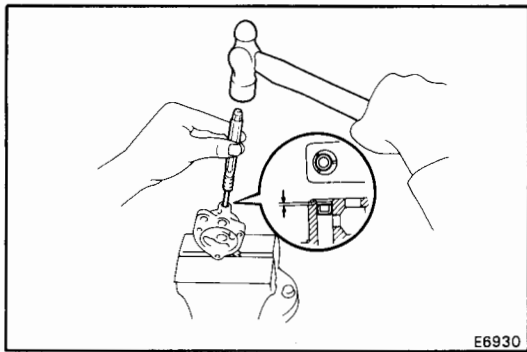
**Maximum clearance:** 0.15 mm (0.006 in.)

**8. REMOVE OIL PUMP DRIVE ROTOR AND DRIVEN ROTOR****9. IF NECESSARY, REPLACE O-RING**

- (a) Using a screwdriver, remove the o-ring.



- (b) Apply gear oil to the o-ring.  
(c) Install the o-ring.



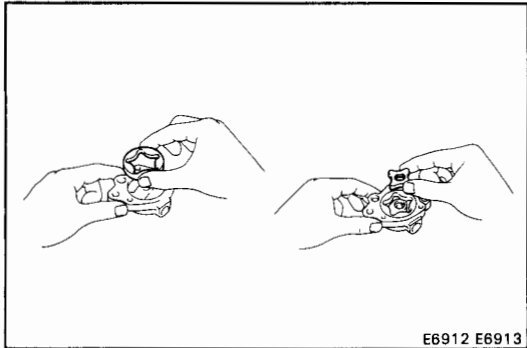
## ASSEMBLY OF OIL PUMP

### 1. (Only when replacing oil pump case) INSTALL TIGHT PLUG

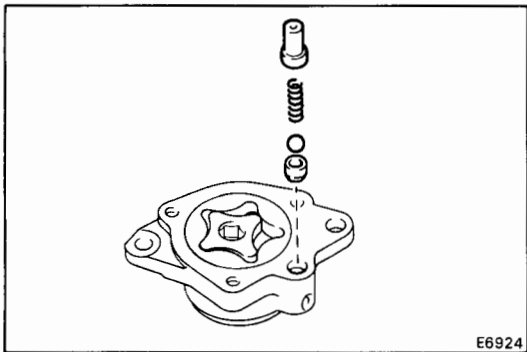
- (a) Using a pin punch and hammer, drive in a new tight plug.

**Drive in depth: 0.20 – 0.90 mm  
(0.008 – 0.035 in.)**

- (b) Using a screwdriver and hammer, stake the three points.



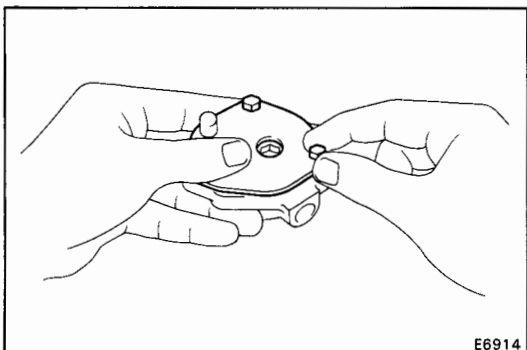
### 2. INSTALL DRIVEN ROTOR AND DRIVE ROTOR



### 3. INSTALL OIL PUMP COVER

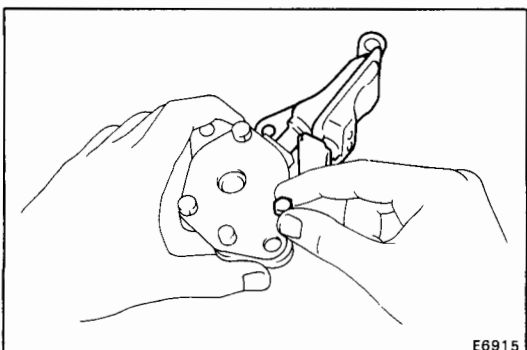
- (a) Install the relief valve, ball, spring and spring holder to the oil pump case.

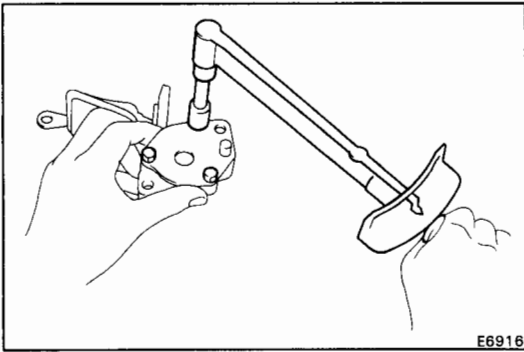
- (b) Hold the oil pump cover, temporarily install the two bolts.



### 4. INSTALL OIL STRAINER

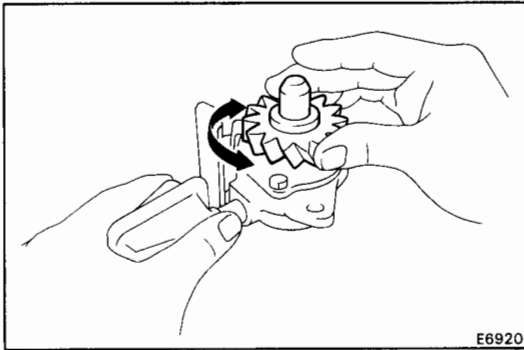
Install the oil strainer to the oil pump case, temporarily install the bolt.



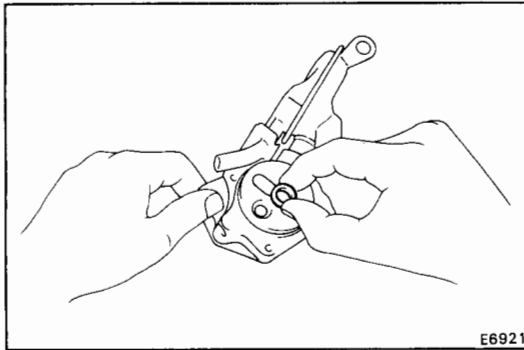
**5. TORQUE OIL PUMP COVER BOLTS**

Torque the three bolts evenly.

**Torque: 105 kg-cm (8 ft-lb, 10 N·m)**

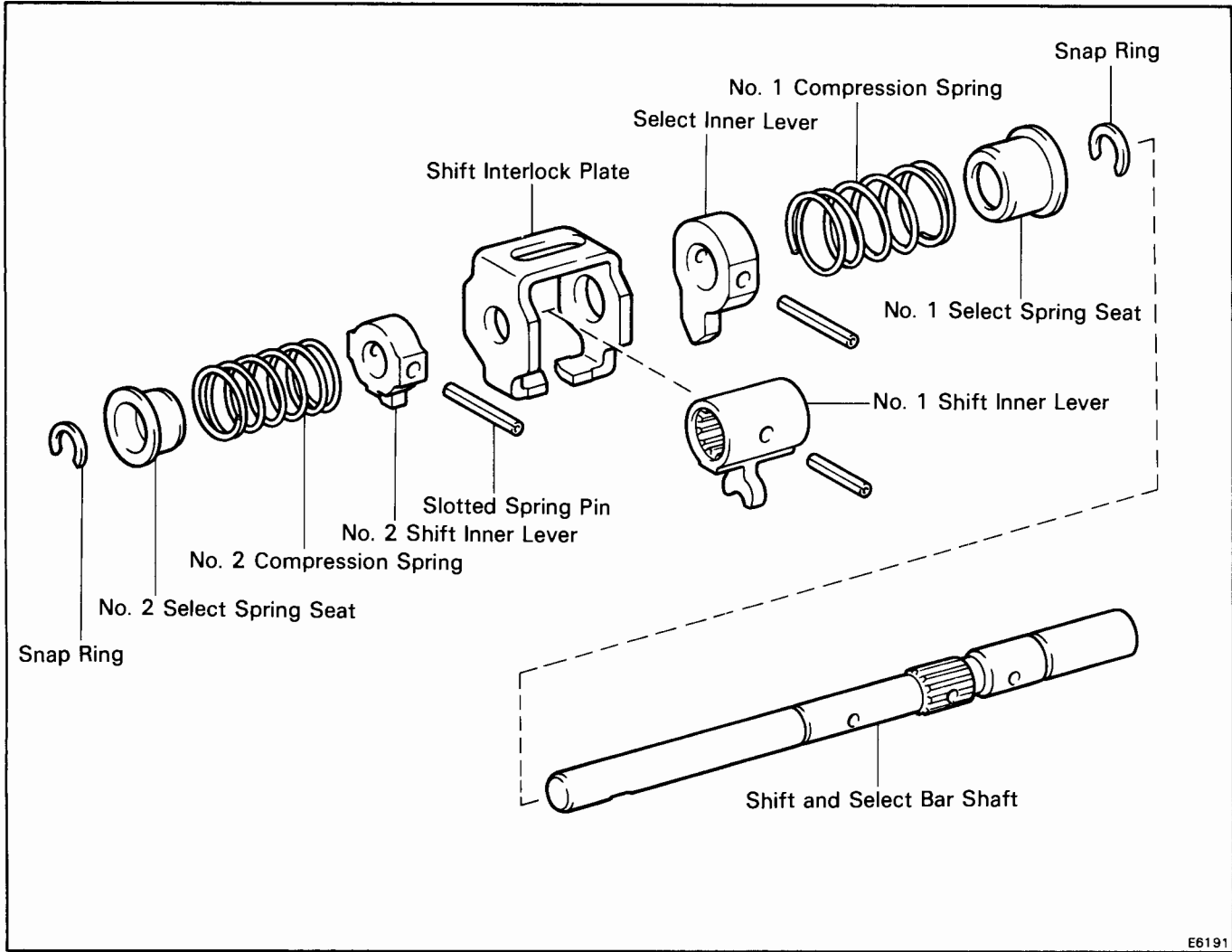
**6. CHECK OPERATION OF OIL PUMP**

Insert the oil pump drive gear to the drive rotor, check that the drive rotor turn smoothly.

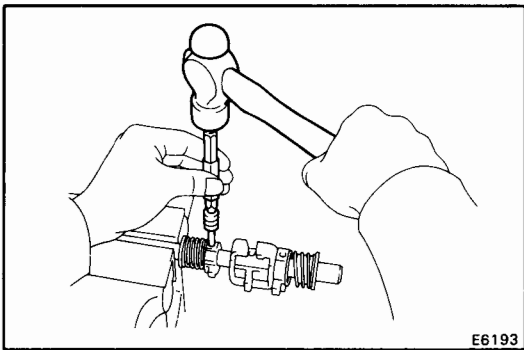
**7. INSTALL GASKET**

Install the new gasket to the oil pump case.

### SHIFT AND SELECT LEVER ASSEMBLY



E6191

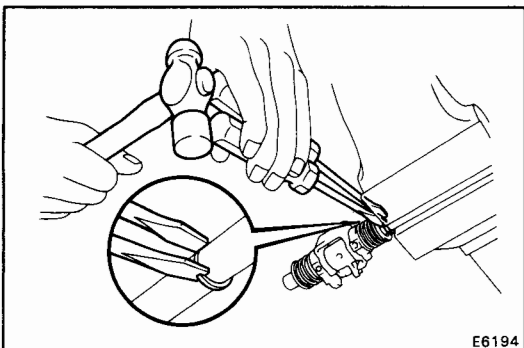


E6193

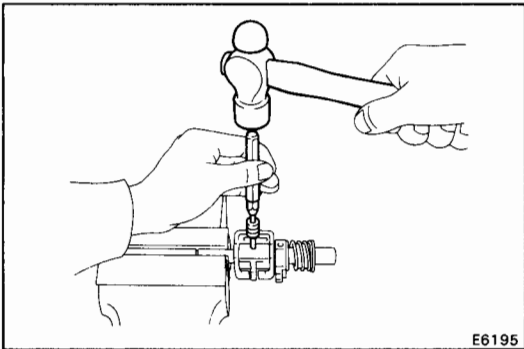
### DISASSEMBLY OF SHIFT AND SELECT LEVER ASSEMBLY

#### 1. REMOVE NO. 2 SHIFT INNER LEVER

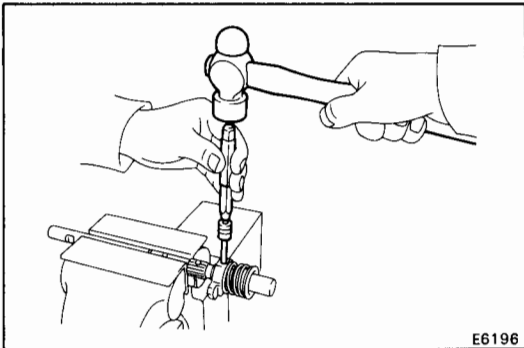
- (a) Using a pin punch and hammer, drive out the slotted spring pin.
- (b) Using two screwdrivers and a hammer, remove the snap ring.
- (c) Remove the No. 2 select spring seat, No. 2 compression spring and No. 2 shift inner lever.



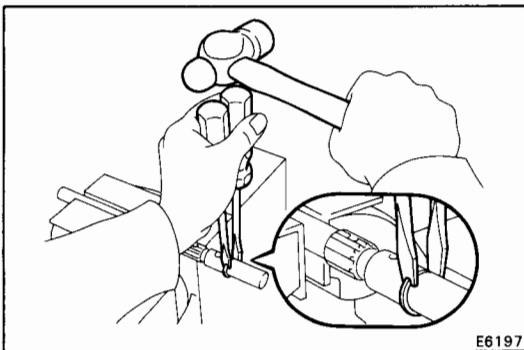
E6194

**2. REMOVE SHIFT INTER PLATE AND NO. 1 SHIFT INNER LEVER**

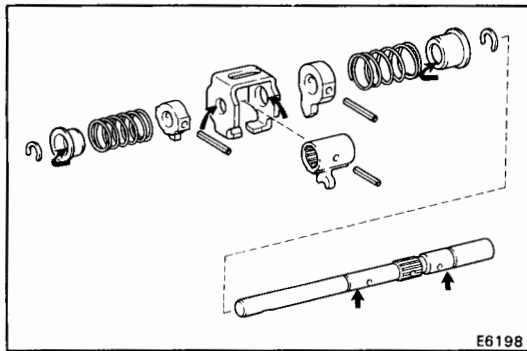
- (a) Using a pin punch and hammer, drive out the slotted spring pin.
- (b) Remove the shift inter plate and No. 1 shift inner lever.

**3. REMOVE SELECT INNER LEVER**

- (a) Using a pin punch and hammer, drive out the slotted spring pin.
- (b) Remove the select inner lever, No. 1 compression spring and No. 1 select spring seat.

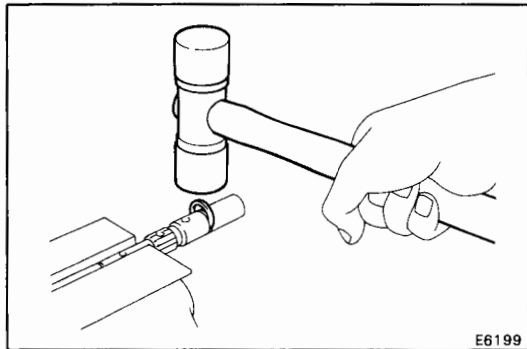
**4. REMOVE SNAP RING**

Using two screwdrivers and a hammer, remove the snap ring.



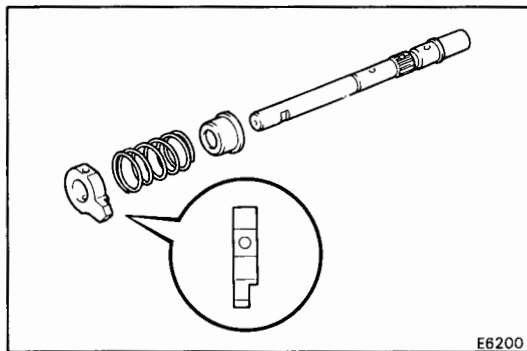
## ASSEMBLY OF SHIFT AND SELECT LEVER ASSEMBLY

1. COAT SHAFT WITH MP GREASE, AS SHOWN



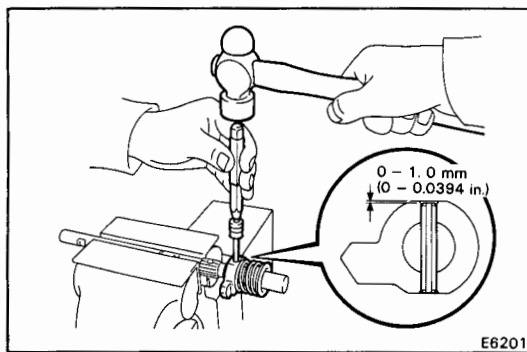
2. INSTALL SNAP RING

Using a plastic hammer, install the snap ring.

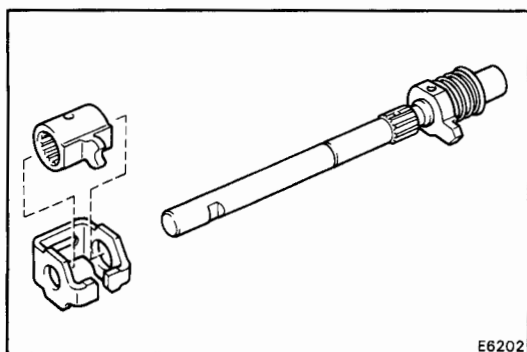


3. INSTALL SELECT INNER LEVER

- (a) Install the No. 1 select spring seat, No. 1 compression spring and select inner lever.



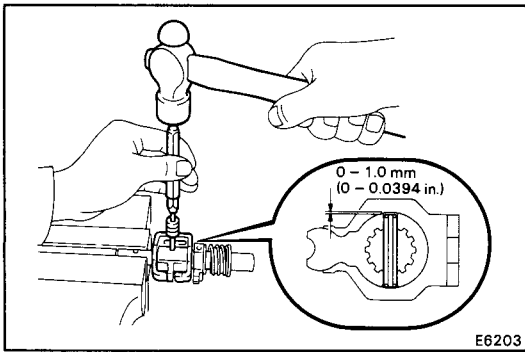
- (b) Using a pin punch and hammer, drive in the slotted spring pin.



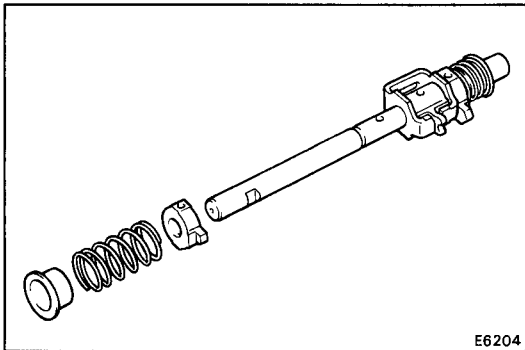
4. INSTALL SHIFT INTERLOCK PLATE AND NO. 1 SHIFT INNER LEVER

- (a) Install the shift interlock plate and No. 1 shift inner lever.



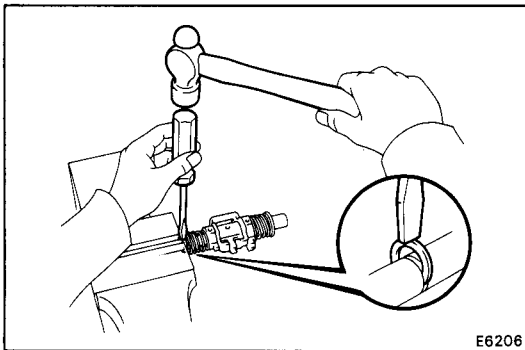


- (b) Using a pin punch and hammer, drive in the slotted spring pin.
- (c) Check that the shift interlock plate turn smoothly.

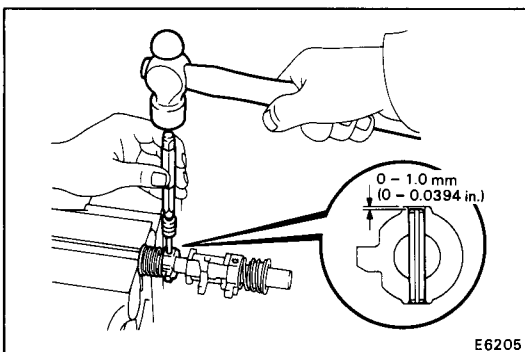


**5. INSTALL NO. 2 SHIFT INNER LEVER**

- (a) Install the No. 2 shift inner lever, No. 2 compression spring and No. 2 select spring seat.

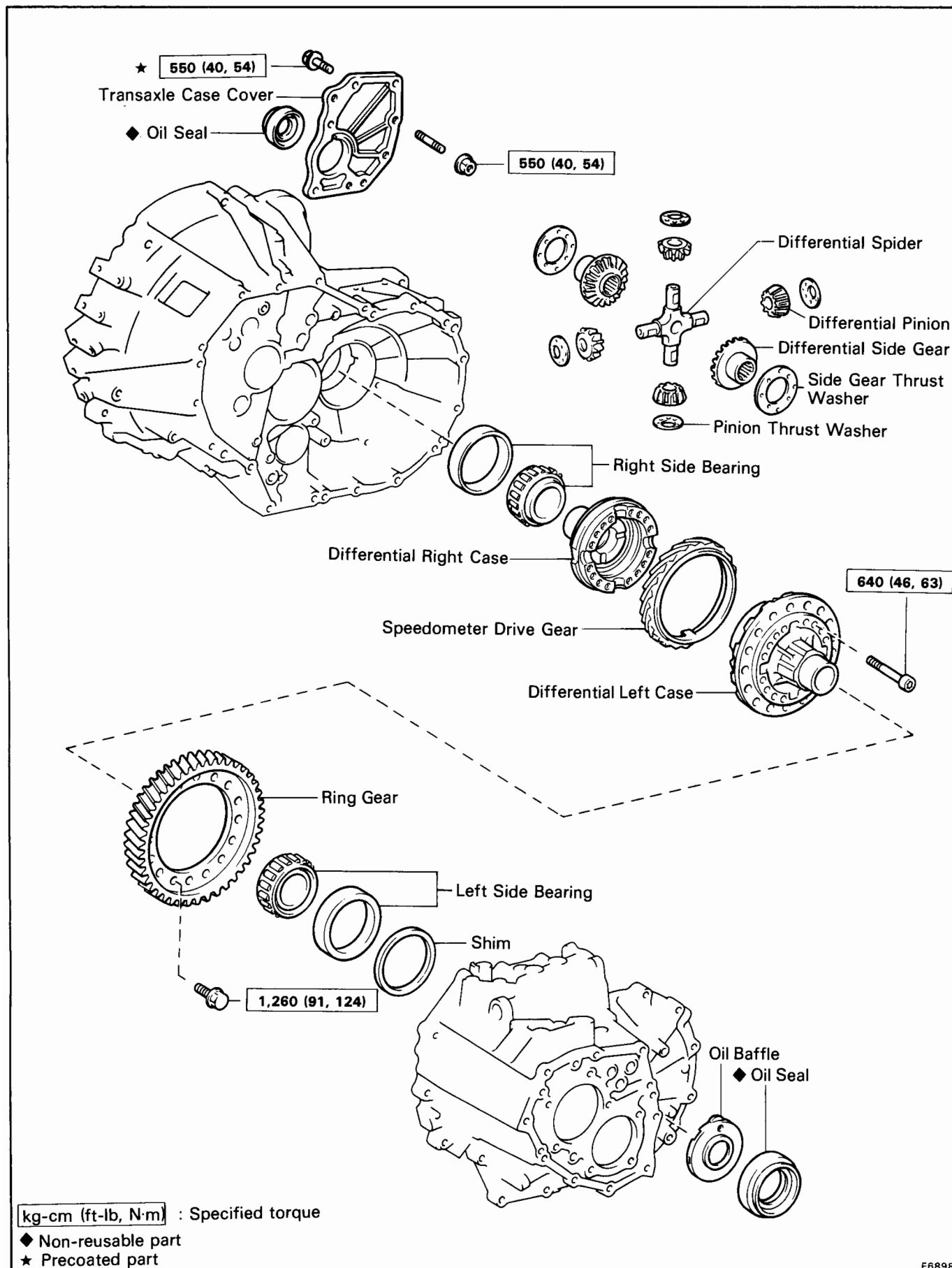


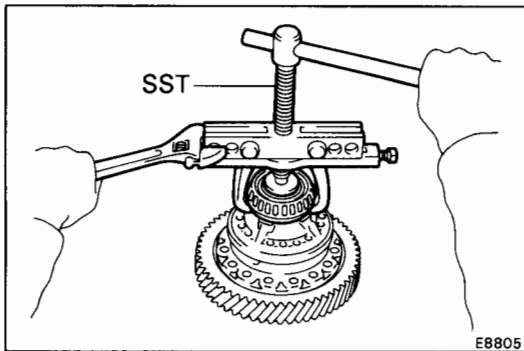
- (b) Using a screwdriver and hammer, install the snap ring.



- (c) Using a pin punch and hammer, drive in the slotted spring pin.

# DIFFERENTIAL

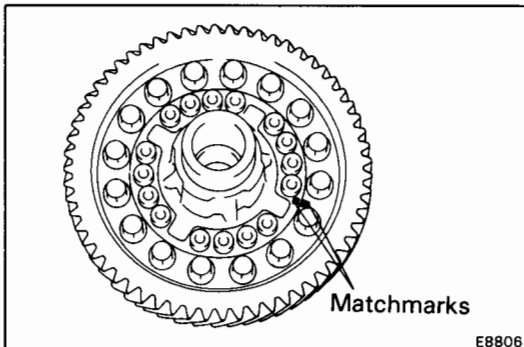




## DISASSEMBLY OF DIFFERENTIAL CASE

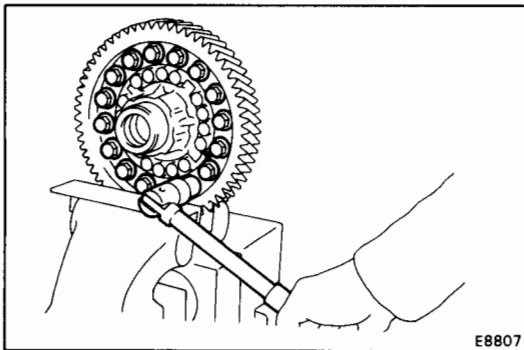
### 1. REMOVE SIDE BEARING

Using SST, remove the two side bearings.  
SST 09950-20017

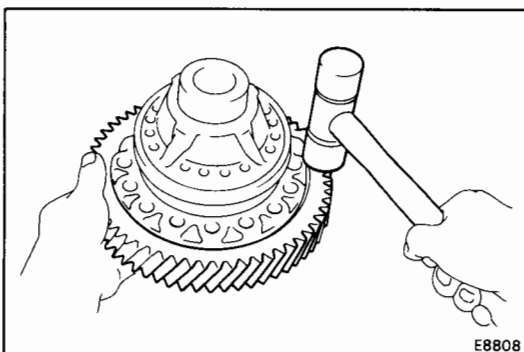


### 2. REMOVE RING GEAR

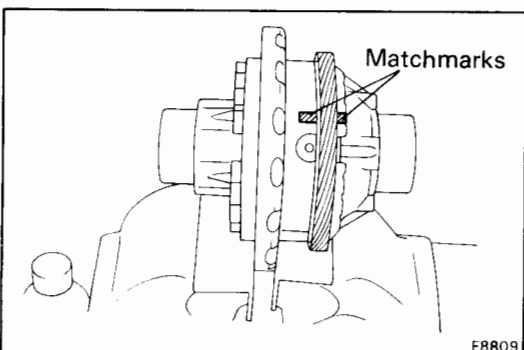
(a) Place the matchmarks on both the differential case and ring gear.



(b) Remove the sixteen bolts.

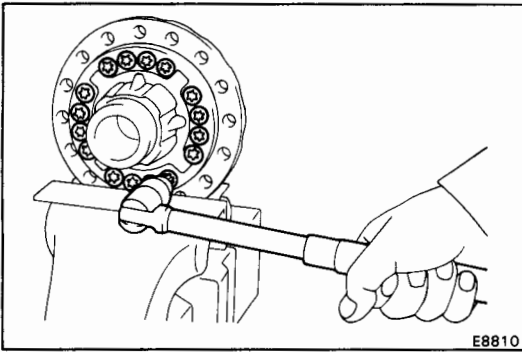


(c) Using a plastic hammer, tap out the ring gear.

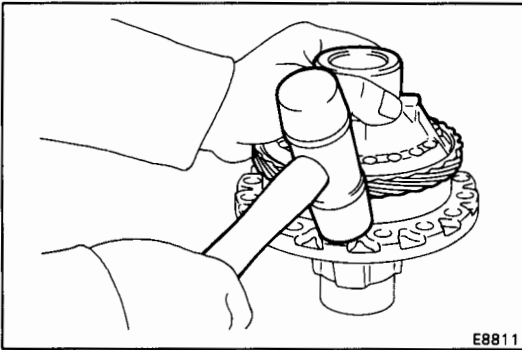


### 3. DISASSEMBLE OF DIFFERENTIAL CASE

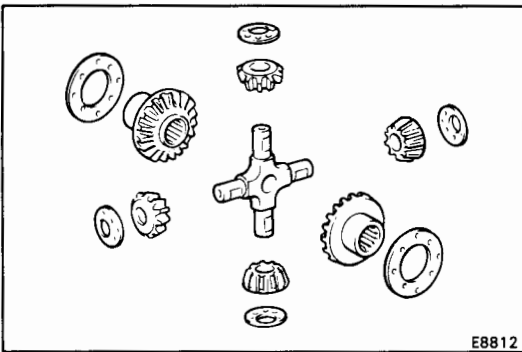
(a) Place the matchmarks on the differential right and left case.



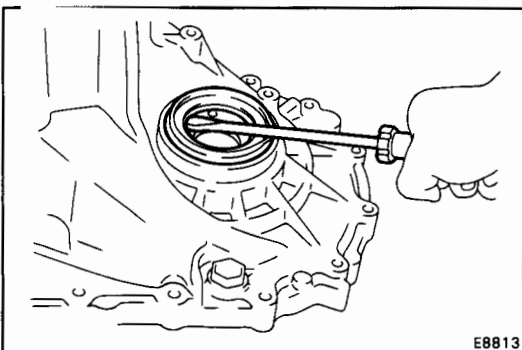
- (b) Using a torx wrench, remove the sixteen torx screws.  
Torx wrench T50 09042-00040



- (c) Using a plastic hammer, tap out the differential left case.  
(d) Remove the speedometer drive gear from the differential right case.

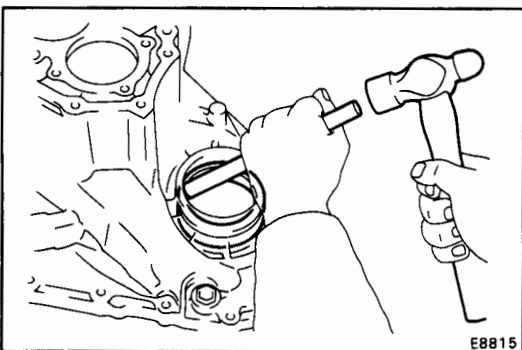


- (e) Remove the two differential side gears, two side thrust washers, differential spider, four differential pinions and four pinion washers from the differential left case.

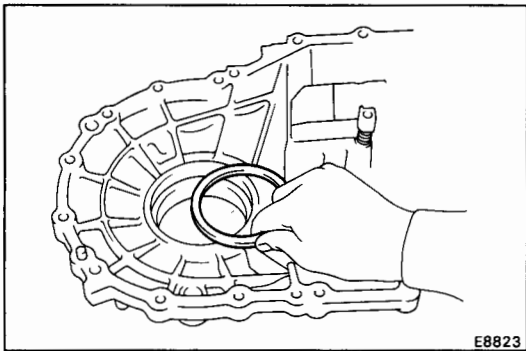


**4. (Transmission Case Side)  
IF NECESSARY, REPLACE OIL SEAL AND TAPER ROLLER BEARING OUTER RACE**

- (a) Using screwdriver, remove the oil seal.  
(b) Remove the transmission oil baffle.

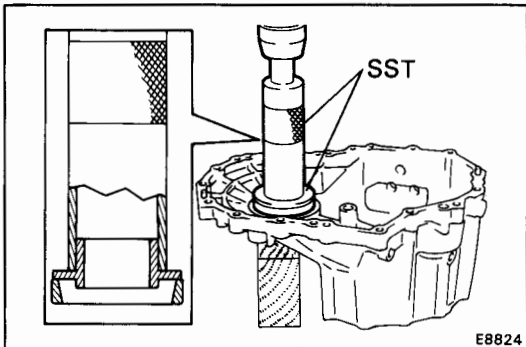


- (c) Using a brass bar and hammer, drive out the bearing outer race lightly and evenly.  
(d) Remove the shim.



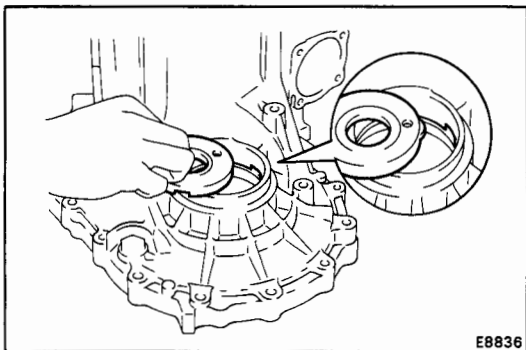
- (e) Install the shim.  
(See page MT-74)

NOTE: First select and install a shim of lesser thickness than before.



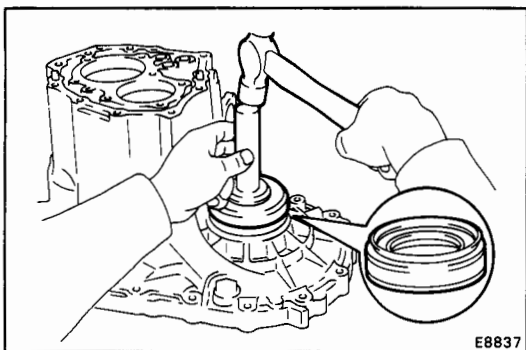
- (f) Using SST and a press, install the taper roller bearing outer race.

SST 09316-60010 (09316-00010, 09316-00040)



- (g) Install the transmission oil baffle.

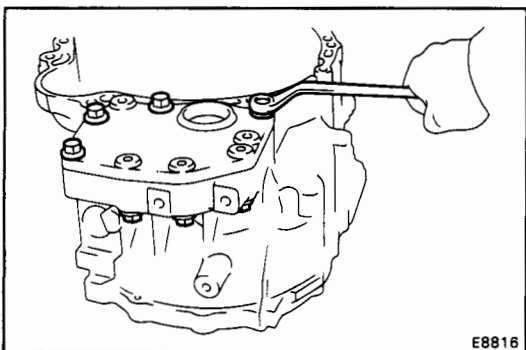
NOTE: Install the transmission oil baffle projection into the case side cutout.



- (h) Using SST and a hammer, drive in a new oil seal.

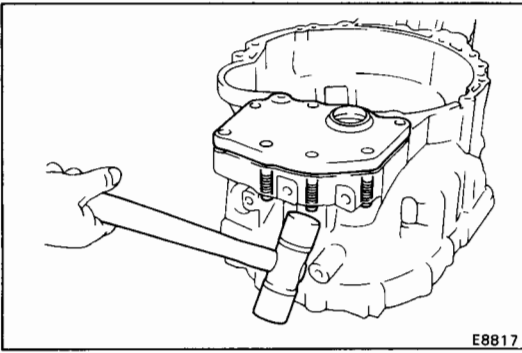
SST 09223-15010

- (i) Coat the lip of oil seal with MP grease.

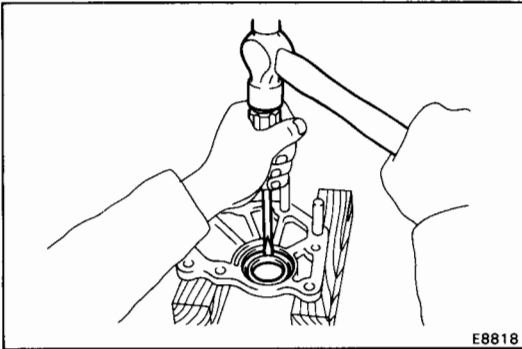


**5. (Transaxle Case Side)  
IF NECESSARY, REPLACE OIL SEAL AND TAPER ROLLER BEARING OUTER RACE**

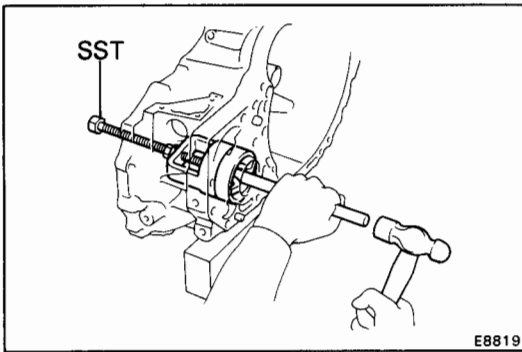
- (a) Remove the four bolts and three nuts.



(b) Using a plastic hammer, tap the stud bolt and remove the transaxle case cover.

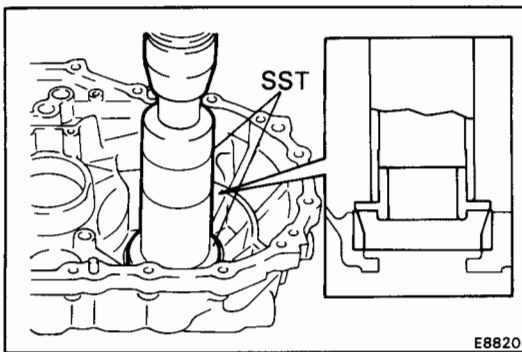


(c) Using a screwdriver and hammer, drive out the oil seal.



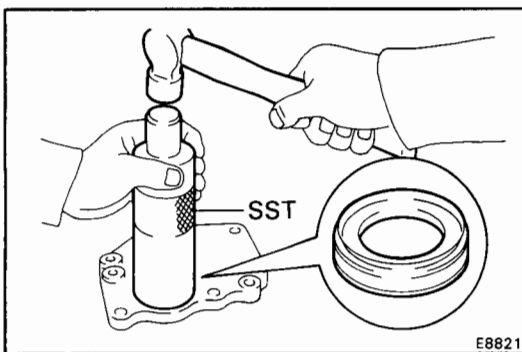
(d) Using SST, brass bar and hammer, remove the taper roller bearing outer race.

SST 09612-65014



(e) Using SST and a hammer, install the taper roller bearing.

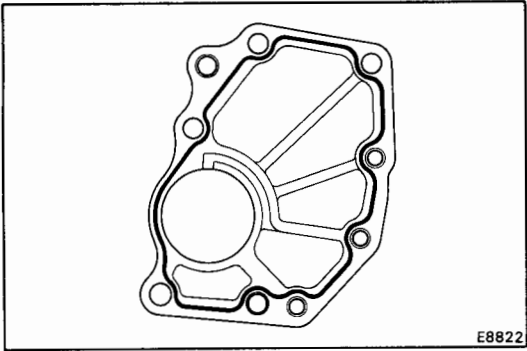
SST 09316-60010 (09316-00010, 09316-00040)



(f) Using SST and a hammer, drive in a new oil seal.

SST 09316-60010 (09316-00010)

(g) Coat the lip of oil seal with MP grease.



E8822

- (h) Remove any packing material and be careful not to drop oil on the contacting surfaces of the transaxle case or case cover.
- (i) Apply seal packing to the transaxle case cover as shown in the figure.

**Seal packing: Part No. 08826-00090, THREE BOND 1281 or equivalent**

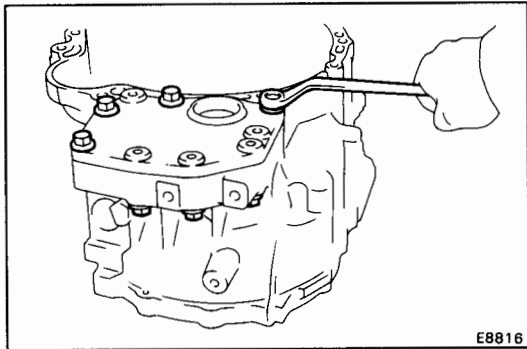
**NOTE:** Install the transaxle case cover as soon as the seal packing is applied.

- (j) Apply liquid sealant to the bolt threads.

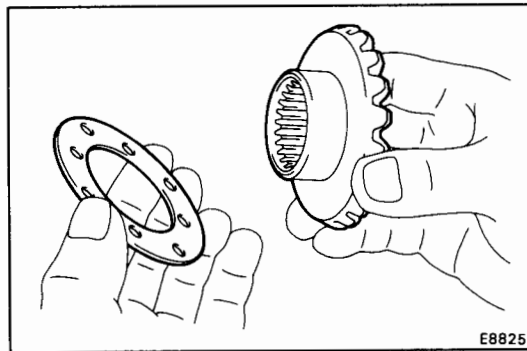
**Sealant: Part No. 08833-00080, THREE BOND 1344, LOCTITE 242 or equivalent**

- (k) Install and torque the four bolts and three nuts.

**Torque: 550 kg-cm (40 ft-lb, 54 N·m)**



E8816

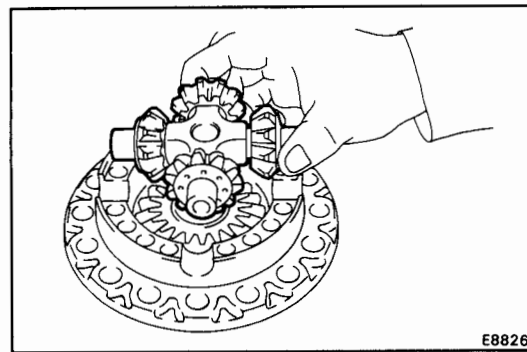


E8825

**6. ASSEMBLE OF DIFFERENTIAL CASE**

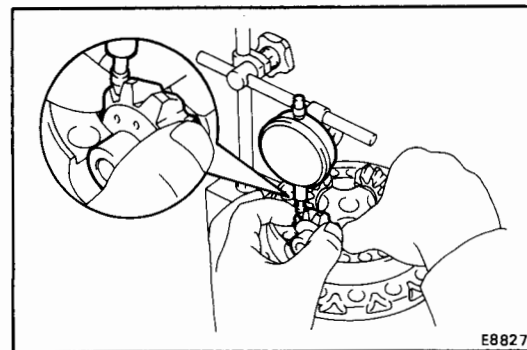
**NOTE:** Coat all of the sliding and rotating surface with gear oil before assembly.

- (a) Install the thrust washer to the side gear.



E8826

- (b) Install the four pinions and thrust washers to the spider.
- (c) Install the side gear and spider with four pinions to the differential left case.



E8827

- (d) Using a dial indicator, measure the backlash of one pinion gear while holding the No. 2 differential case.

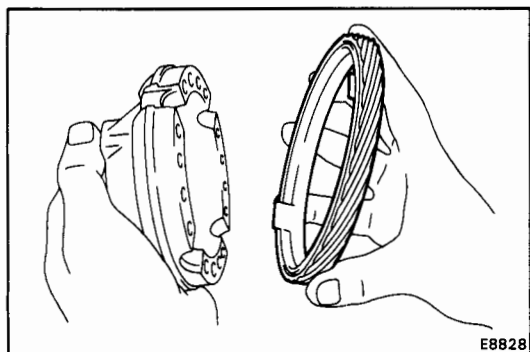
**Standard backlash: 0.05 – 0.20 mm  
(0.0020 – 0.0079 in.)**

**NOTE:** Push the pinion gear of the left side of the differential case.

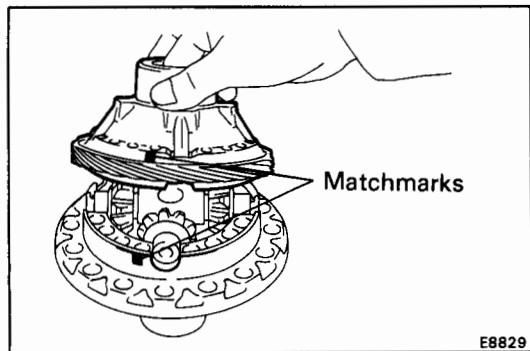
- (e) Install the side gear and spider with four pinions to the right side of the differential case. And check the side gear backlash.

- (f) Referring to the table below, select the thrust washer which will ensure that the backlash is within specification. Try to select a washer of the same size.

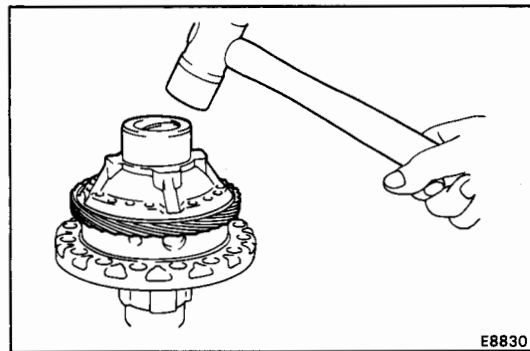
Mark	Thickness mm (in.)	Mark	Thickness mm (in.)
—	0.80 (0.0315)	—	1.20 (0.0472)
—	0.90 (0.0354)	—	1.30 (0.0512)
—	1.00 (0.0394)	—	1.40 (0.0551)
—	1.10 (0.0433)		



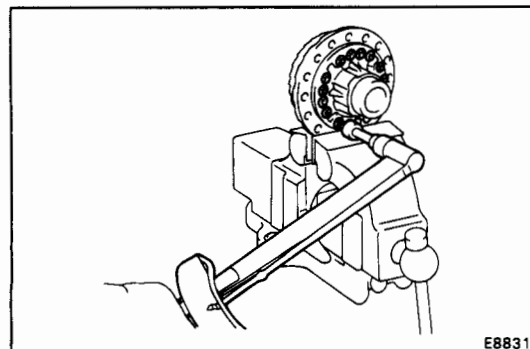
- (g) Install the speedometer driven gear.



- (h) Align the matchmarks on the differential cases.



- (i) Using plastic hammer, carefully tap the differential case.

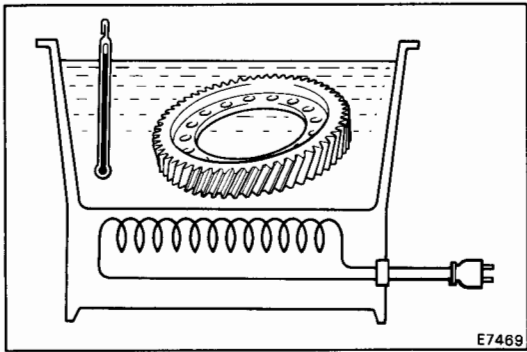


- (j) Using a torx wrench, install and torque the sixteen torx screws.

Torx wrench T50 09042-00040

**Torque: 640 kg-cm (46 ft-lb, 63 N·m)**





**7. INSTALL RING GEAR**

- (a) Clean the contact surface of the differential case.
- (b) Heat the ring gear to about 100°C (212°F) in an oil bath.

**CAUTION:** Do not heat the ring gear above 110°C (230°F)

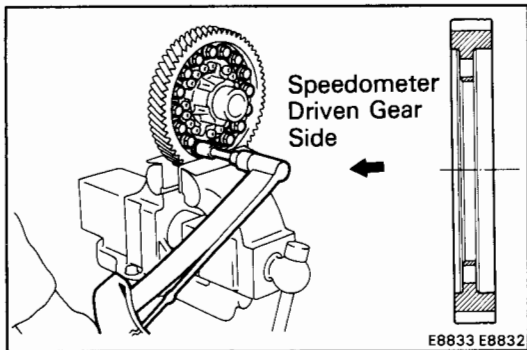
- (c) Clean the contact surface of the ring gear with cleaning solvent.

- (d) Quickly install the ring gear on the differential case. Install the sixteen bolts.

**NOTE:** Align the matchmarks on the differential left case and contact the ring gear.

- (e) Tighten the set bolts uniformly and a little at a time. Torque the bolts.

**Torque:** 1,260 kg-cm (91 ft-lb, 124 N·m)



**8. INSTALL SIDE BEARING**

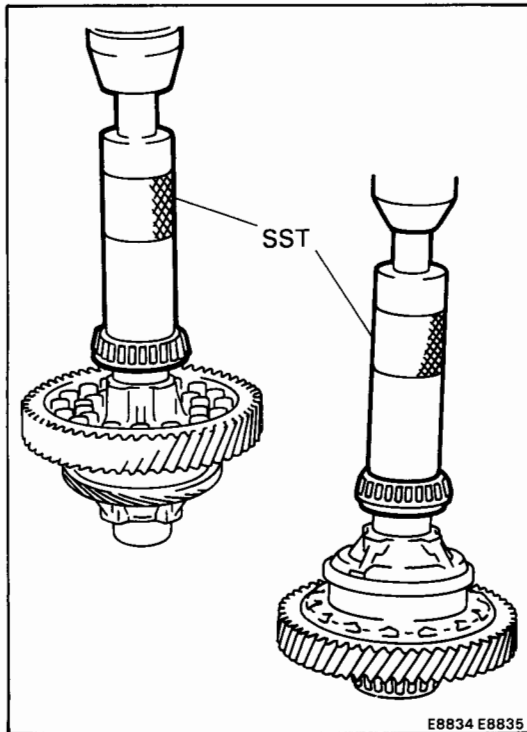
Using SST and a press, install the side bearings onto the differential case.

SST 09316-60010 (09316-00010)

**NOTE:** Press the bearing on the ring gear side first.

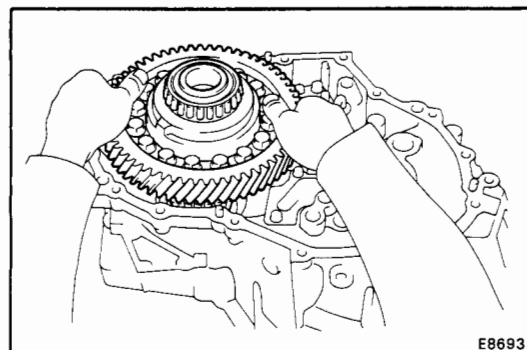
**9. ADJUST OUTPUT SHAFT ASSEMBLY PRELOAD**

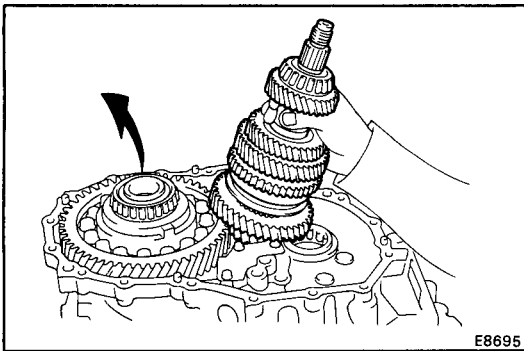
(See pages MT-84, 85)



**10. INSTALL DIFFERENTIAL CASE ASSEMBLY**

Install the differential case assembly to the transaxle case.

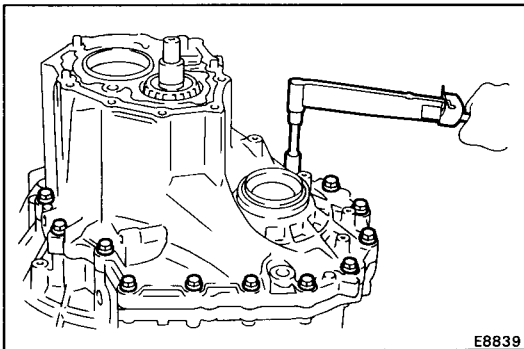




E8695

### 11. INSTALL OUTPUT SHAFT ASSEMBLY

Lift up the differential case, install the input shaft assembly.



E8839

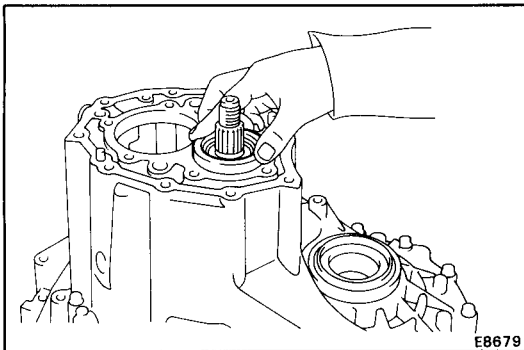
### 12. INSTALL TRANSMISSION CASE

(a) Install the transmission case.

NOTE: If necessary, tap on the case with a plastic hammer.

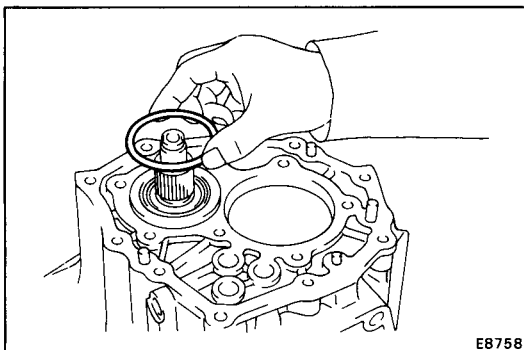
(b) Install and torque the seventeen bolts.

Torque: 300 kg-cm (22 ft-lb, 29 N·m)



E8679

### 13. INSTALL OUTPUT SHAFT REAR TAPER ROLLER BEARING OUTER RACE

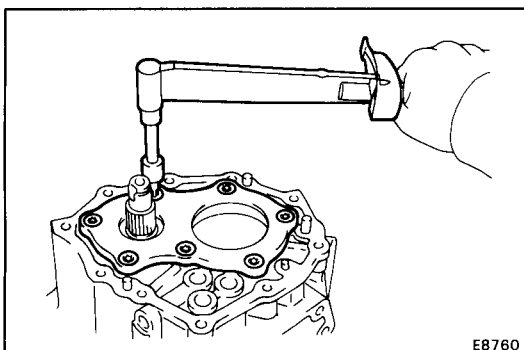


E8758

### 14. INSTALL SHIM

(See pages MT-84, 85)

NOTE: Install the previously selected shim.



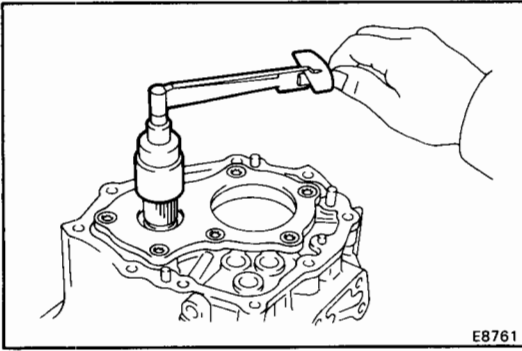
E8760

### 15. INSTALL REAR BEARING RETAINER

Using a torx wrench, install and torque the seven torx screws.

Torx wrench T45 09042-00050

Torque: 430 kg-cm (31 ft-lb, 42 N·m)



**16. ADJUST DIFFERENTIAL CASE PRELOAD**

- (a) Install the new lock nut to the output shaft.
- (b) Turn the output shaft right and left two or three times to allow the bearings to settle.
- (c) Using a torque wrench, measure the preload.

**Preload (at starting):**

**New bearing**

**Add output shaft preload**

**1.9 – 3.7 kg-cm (1.6 – 3.2 in.-lb, 0.2 – 0.4 N·m)**

**Reused bearing**

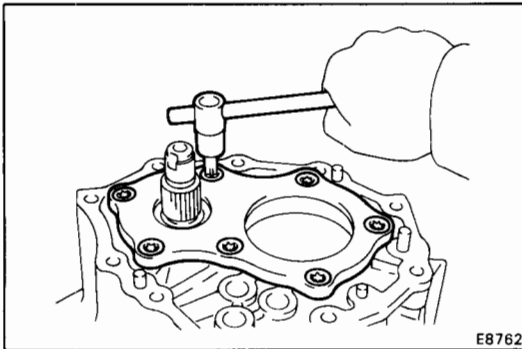
**Add output shaft preload**

**1.2 – 2.3 kg-cm (1.0 – 2.0 in.-lb, 0.1 – 0.2 N·m)**

If the preload is not within specification, select the thrust washers.

**NOTE:** The total preload will change about 1 – 2 kg-cm (0.9 – 1.7 in.-lb, 0.1 – 0.2 N·m) with each shim thickness.

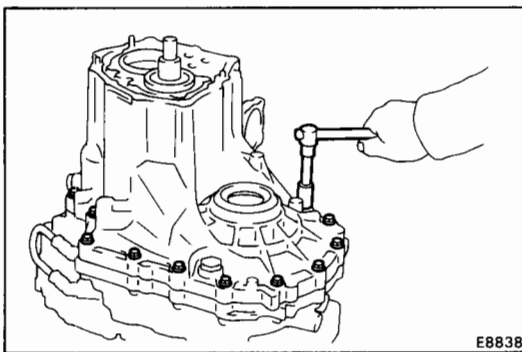
Mark	Thickness mm (in.)	Mark	Thickness mm (in.)
0	2.00 (0.0787)	9	2.45 (0.0965)
1	2.05 (0.0807)	A	2.50 (0.0984)
2	2.10 (0.0827)	B	2.55 (0.1004)
3	2.15 (0.0846)	C	2.60 (0.1024)
4	2.20 (0.0866)	D	2.65 (0.1043)
5	2.25 (0.0886)	E	2.70 (0.1063)
6	2.30 (0.0906)	F	2.75 (0.1083)
7	2.35 (0.0925)	G	2.80 (0.1102)
8	2.40 (0.0945)	H	2.85 (0.1122)



**17. REMOVE REAR BEARING RETAINER**

Using torx wrench, remove the seven torx screws and rear bearing retainer.

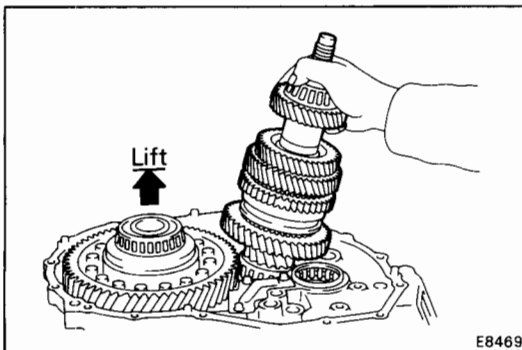
Torx wrench T45 09042-00050



**18. REMOVE SHIM**

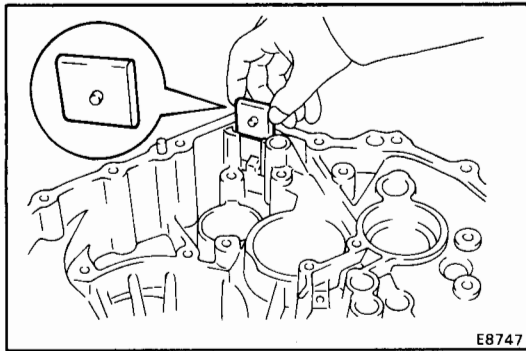
**19. REMOVE TRANSMISSION CASE**

Remove the seventeen bolts and tap off the case with a plastic hammer.



**20. REMOVE OUTPUT SHAFT ASSEMBLY**

**21. REMOVE DIFFERENTIAL CASE ASSEMBLY**



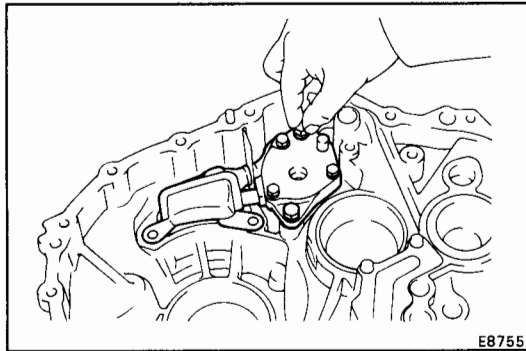
E8747

## INSTALLATION OF COMPONENT PARTS

(See pages MT-7 to 9)

NOTE: Coat all of the sliding and rotating surface with gear oil before assembly.

### 1. INSTALL MAGNET TO TRANSAXLE CASE



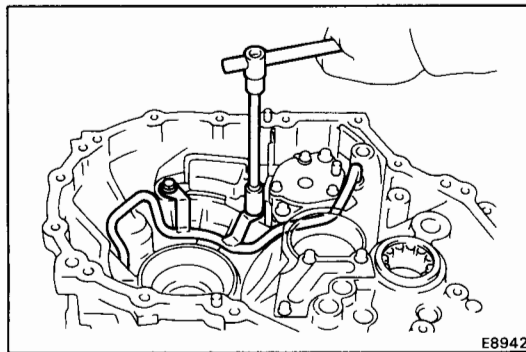
E8755

### 2. INSTALL OIL PUMP ASSEMBLY AND OIL PIPE

(a) Install the oil pump assembly.

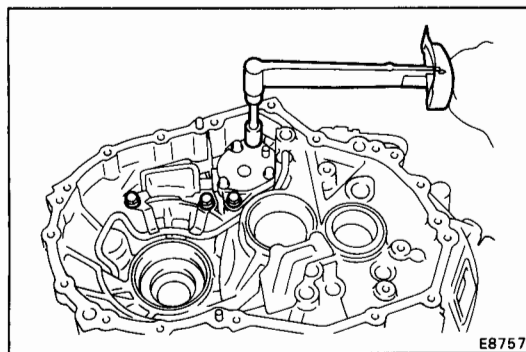
(b) Install the two bolts.

NOTE: Be careful not to drop the oil pump gasket.



E8942

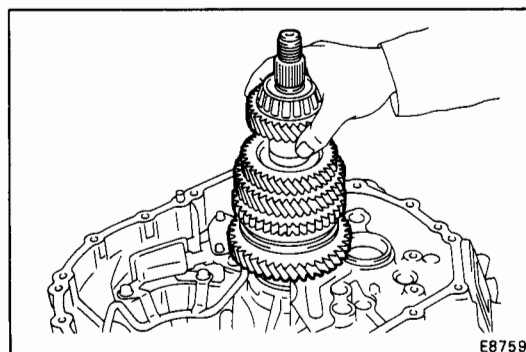
(c) Install the oil pipe and two bolts.



E8757

(d) Torque the four bolts.

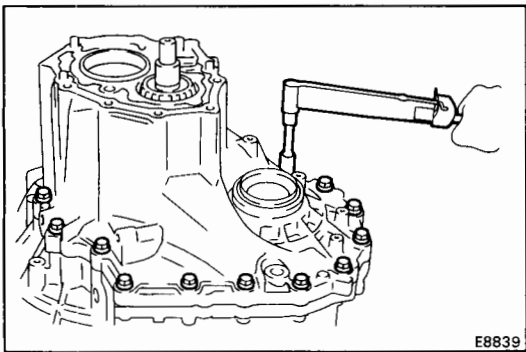
**Torque: 175 kg-cm (13 ft-lb, 17 N·m)**



E8759

### 3. ADJUST OUTPUT SHAFT PRELOAD

(a) Install the output shaft assembly.



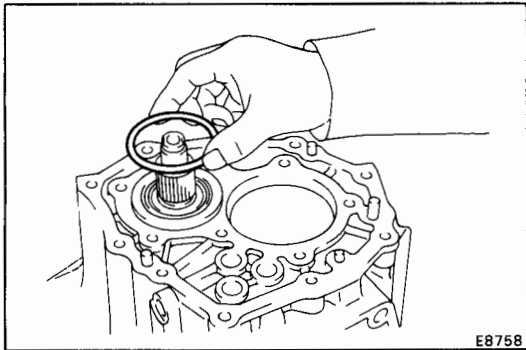
(b) Install the transmission case.

NOTE: If necessary, tap on the case with a plastic hammer.

(c) Install and torque the seventeen bolts.

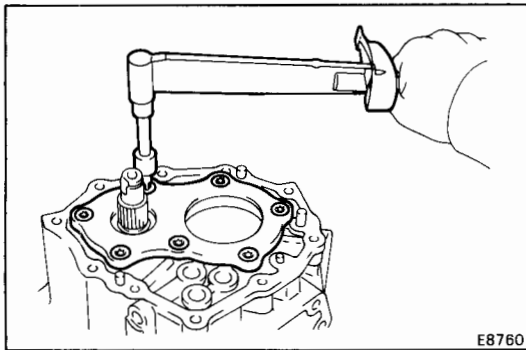
**Torque: 300 kg-cm (22 ft-lb, 29 N·m)**

(d) Install the output shaft rear taper roller bearing outer race.



(e) Install the adjust shim.

NOTE: When re-using the output shaft bearing, first install a shim of the same thickness as before. If installing a new tapered roller bearing, first select and install a shim of lesser thickness than than before.



(f) Install the bearing retainer.

(g) Using a torx wrench, install and torque the seven bolts.

Torx wrench T45 09042-00050

**Torque: 430 kg-cm (31 ft-lb, 42 N·m)**

(h) Install the new lock nut to the output shaft.

(i) Turn the output shaft right and left two or three times to allow the bearings to settle.

(j) Using a torque wrench, measure the preload.

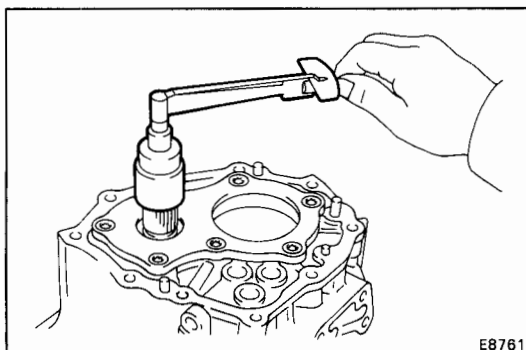
**Preload (at starting):**

**New bearing 8 – 16 kg-cm  
(6.9 – 13.9 in.-lb, 0.8 – 1.6 N·m)**

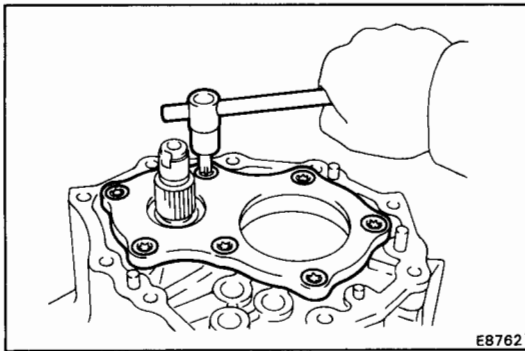
**Reused bearing 5 – 10 kg-cm  
(4.3 – 8.7 in.-lb, 0.1 – 0.2 N·m)**

If the preload is not within specification, select the thrust washers.

NOTE: The preload will change about 4 – 5 kg-cm (3.5 – 4.3 in.-lb, 0.4 – 0.5 N·m) with each shim thickness.



Mark	Thickness mm (in.)	Mark	Thickness mm (in.)	Mark	Thickness mm (in.)	Mark	Thickness mm (in.)
0	1.30 (0.0512)	7	1.65 (0.0650)	E	2.00 (0.0787)	M	2.35 (0.0925)
1	1.35 (0.0531)	8	1.70 (0.0669)	F	2.05 (0.0807)	N	2.40 (0.0945)
2	1.40 (0.0551)	9	1.75 (0.0689)	G	2.10 (0.0827)	P	2.45 (0.0965)
3	1.45 (0.0571)	A	1.80 (0.0709)	H	2.15 (0.0846)	Q	2.50 (0.0984)
4	1.50 (0.0591)	B	1.85 (0.0728)	J	2.20 (0.0866)		
5	1.55 (0.0610)	C	1.90 (0.0748)	K	2.25 (0.0886)		
6	1.60 (0.0630)	D	1.95 (0.0768)	L	2.30 (0.0906)		

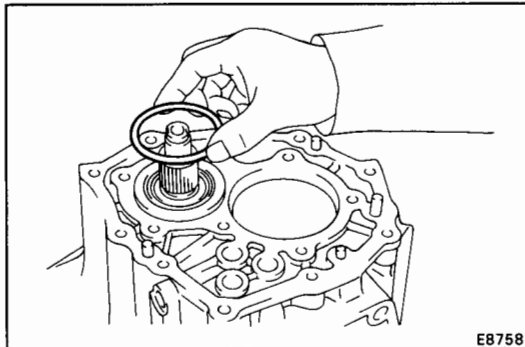


(k) Remove the lock nut.

(l) Using a torx wrench, remove the seven torx screws and rear bearing retainer.

Torx wrench T45 09042-00050

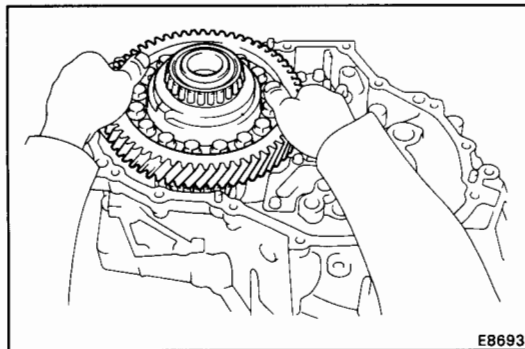
**Torque: 430 kg-cm (31 ft-lb, 42 N·m)**



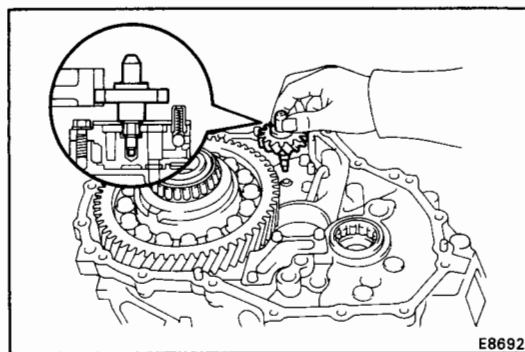
(m) Remove the shim.

(n) Remove the seventeen bolts and transmission case.

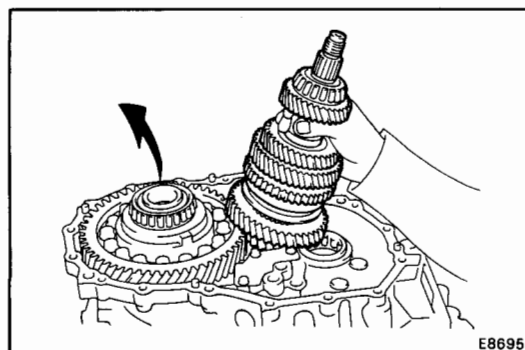
(o) Remove the output shaft assembly.



#### 4. INSTALL DIFFERENTIAL CASE ASSEMBLY

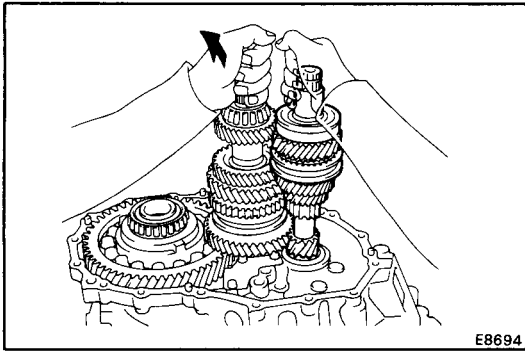


#### 5. INSTALL OIL PUMP DRIVE GEAR



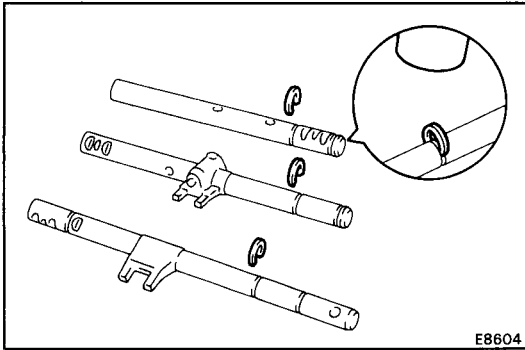
#### 6. INSTALL OUTPUT SHAFT ASSEMBLY

(a) Lift up the differential case, install the input shaft assembly.

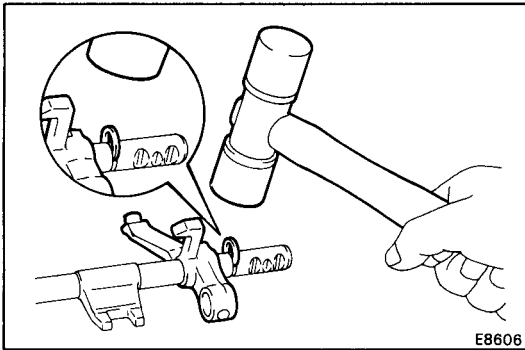


- (b) Leaning the output shaft to the differential side, install the input shaft assembly.

**7. INSTALL SNAP RINGS**

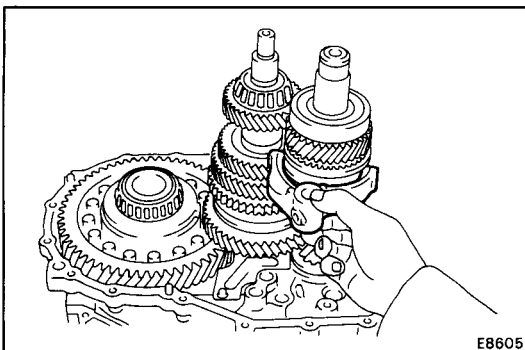


- (a) Using a plastic hammer, install the snap rings to the No. 1, No. 2 and No. 3 shift fork shafts.

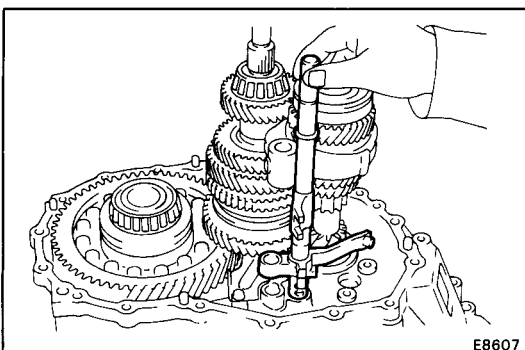


- (b) Using a plastic hammer, install the reverse shift fork and snap ring to the No. 3 shift fork shaft.

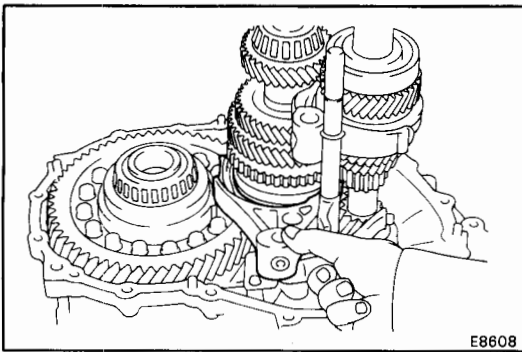
**8. INSTALL NO. 2 SHIFT FORK AND NO. 3 SHIFT FORK SHAFT WITH REVERSE SHIFT FORK**



- (a) Install the No. 2 shift fork to the No. 2 hub sleeve.

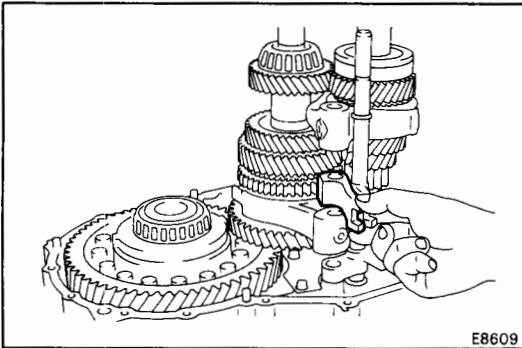


- (b) Install the No. 3 shift fork shaft with reverse shift fork.

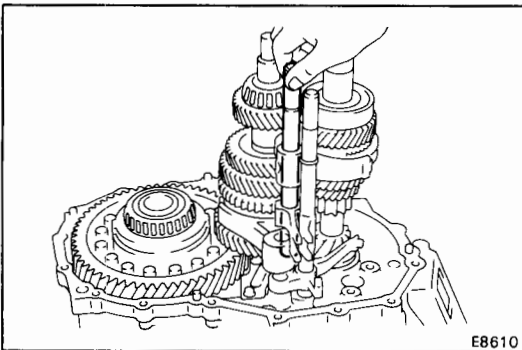


### 9. INSTALL NO. 1 SHIFT FORK, SHIFT HEAD AND NO. 2 SHIFT FORK SHAFT

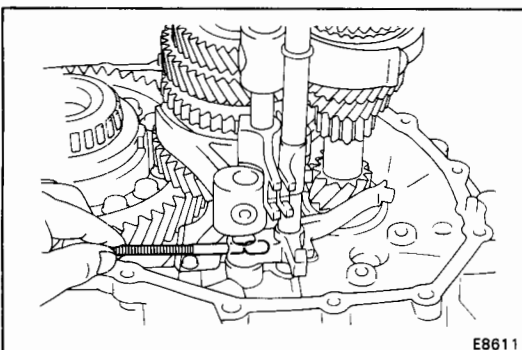
- (a) Install the No. 1 shift fork to the No. 1 hub sleeve.



- (b) Put shift head onto the No. 1 shift fork.

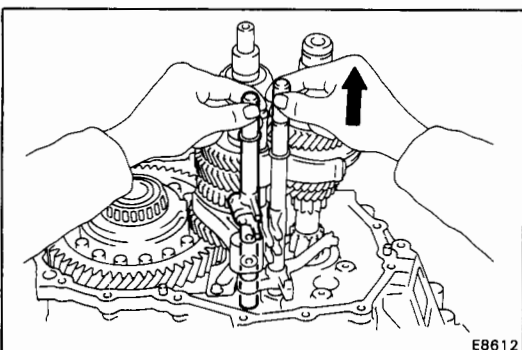


- (c) Install the No. 2 shift fork shaft to the transaxle case, through the shift head and No. 1 shift fork.



### 10. INSTALL INTERLOCK ROLLER

Using a magnetic finger, install the interlock roller to the reverse shift fork.

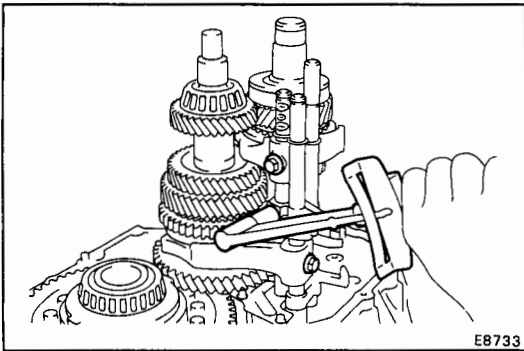


### 11. INSTALL NO. 1 SHIFT FORK SHAFT

Install the No. 1 shift fork shaft to the case, through the No. 1 shift fork and reverse shift fork.

**NOTE:** When it is difficult to install the fork shaft through the reverse shift fork, pull up the No. 3 shift fork shaft.

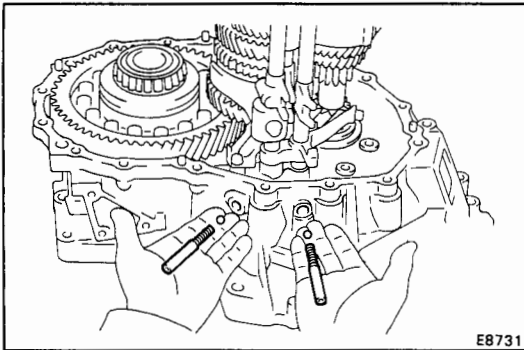




**12. INSTALL SET BOLTS**

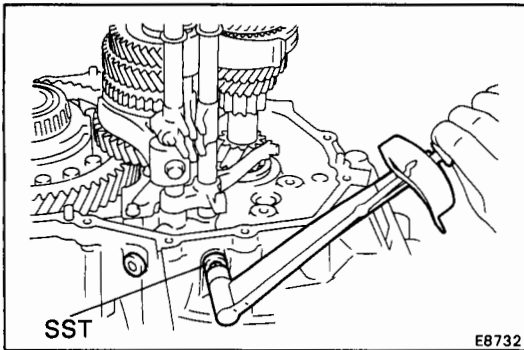
Install and torque the three set bolts.

**Torque: 240 kg-cm (17 ft-lb, 24 N·m)**



**13. INSTALL LOCKING BALLS, SPRINGS, SEATS AND PLUGS**

(a) Install the two locking balls, springs and seats.



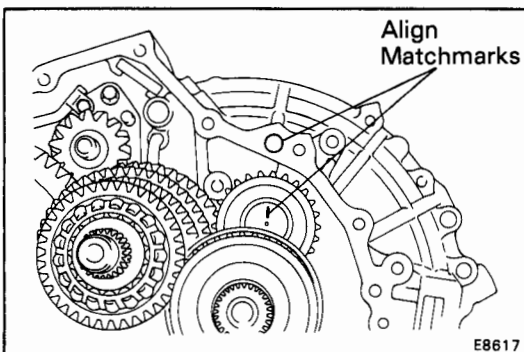
(b) Apply liquid sealant to the two plugs.

**Sealant: Part No. 08833-00080, THREE BOND 1344, LOCTITE 242 or equivalent**

(c) Using SST, install and torque two plugs.

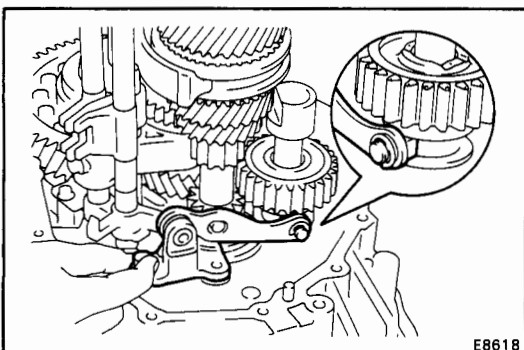
SST 09313-30021

**Torque: 250 kg-cm (18 ft-lb, 25 N·m)**



**14. INSTALL REVERSE IDLER GEAR AND SHAFT**

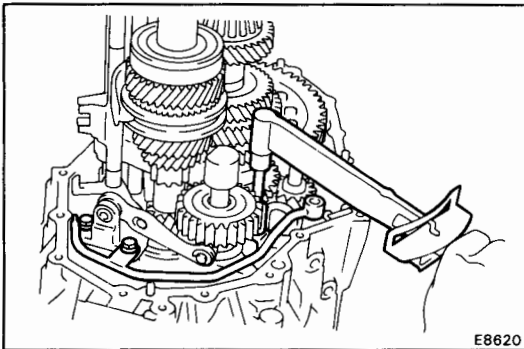
Install the reverse idler gear and shaft as shown.



**15. INSTALL REVERSE SHIFT ARM BRACKET AND NO. 2 OIL PIPE**

(a) Put the reverse shift fork pivot into the reverse shift arm and install the reverse shift arm bracket to the transaxle case.

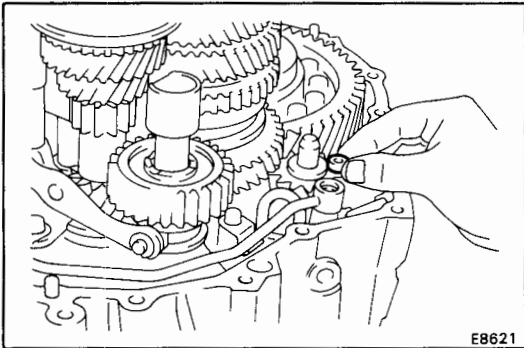
(b) Install the bolt.



E8620

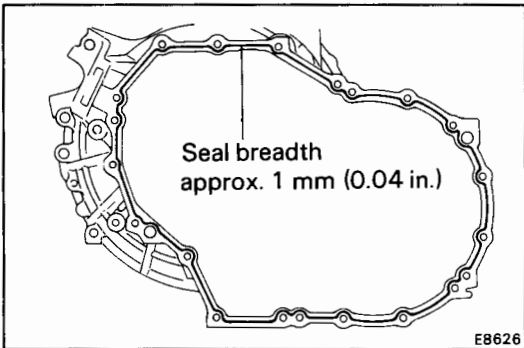
- (c) Install the No. 2 oil pipe and two bolts.
- (d) Torque the reverse shift arm and oil pump bolts.

**Torque: 175 kg-cm (13 ft-lb, 17 N·m)**



E8621

- (e) Install the new gasket to the No. 2 oil pipe.



E8626

## 16. INSTALL TRANSMISSION CASE

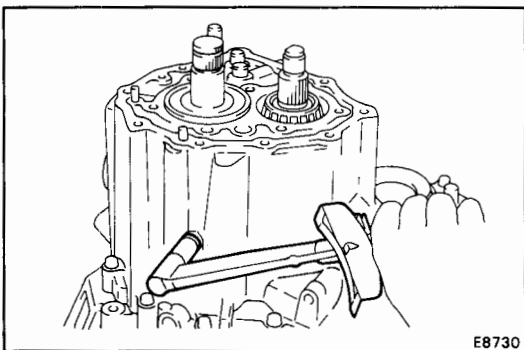
- (a) Remove any packing material and be careful not to drop oil on the contacting surfaces of the transmission case or transaxle case.
- (b) Apply seal packing to the transmission case as shown in the figure.

**Seal packing: Part No. 08826-00090, THREE BOND 1281 or equivalent**

**NOTE:** Install the transmission case as shown as the seal packing is applied.

- (c) Install and torque the seventeen bolts.

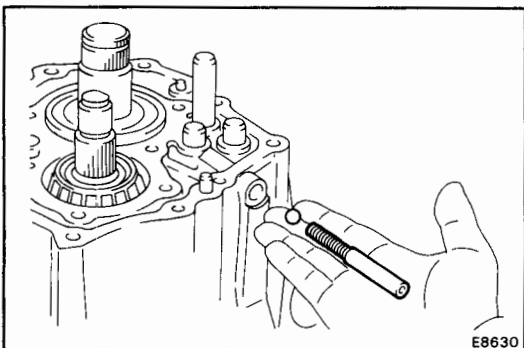
**Torque: 300 kg-cm (22 ft-lb, 29 N·m)**



E8730

## 17. INSTALL AND TORQUE REVERSE IDLER GEAR SHAFT RETAINING BOLT

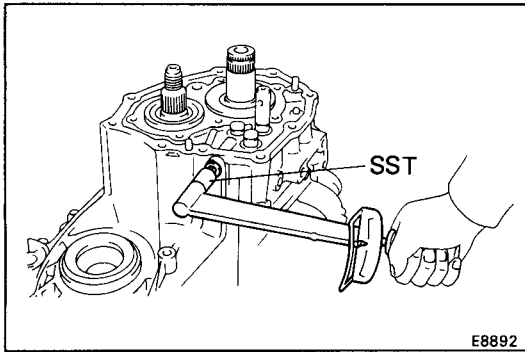
**Torque: 300 kg-cm (22 ft-lb, 29 N·m)**



E8630

## 18. INSTALL LOCKING BALL, SPRING, SEAT AND PLUG

- (a) Install the locking ball, spring and seat.



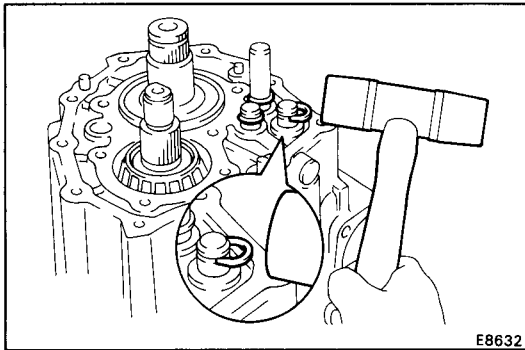
(b) Apply liquid sealant to the plug.

**Sealant: Part No. 08833-00080, THREE BOND 1344, LOCTITE 242 or equivalent**

(c) Using SST, install and torque the plug.

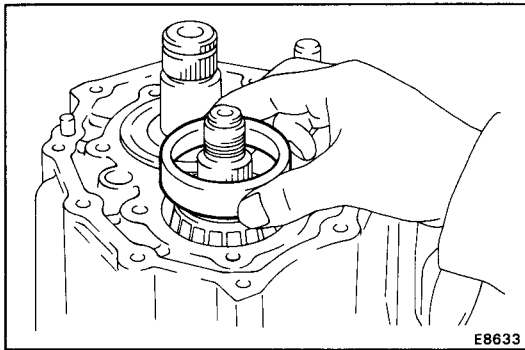
SST 09313-30021

**Torque: 250 kg-cm (18 ft-lb, 25 N·m)**

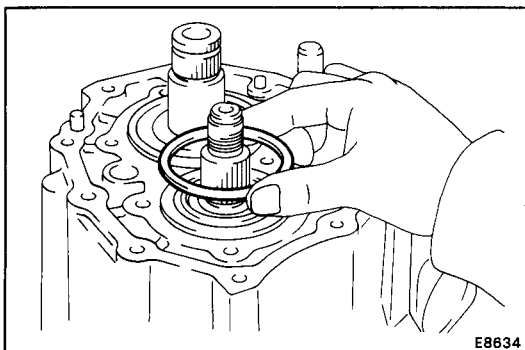


**19. INSTALL SNAP RINGS**

Using a plastic hammer, install the three snap rings.

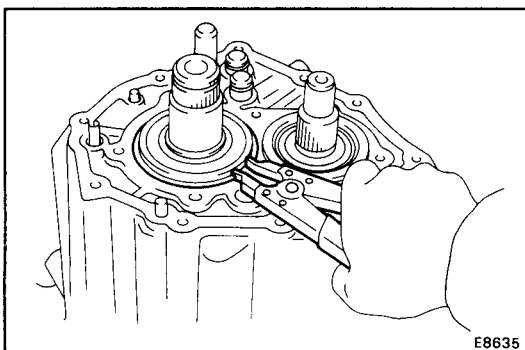


**20. INSTALL OUTPUT SHAFT REAR TAPER ROLLER BEARING OUTER RACE**



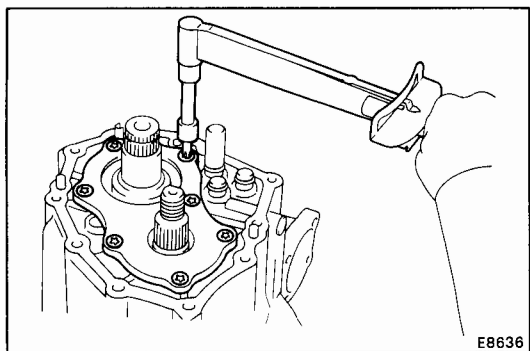
**21. INSTALL SHIM**

**NOTE:** Install the previously selected shim.



**22. INSTALL SNAP RING**

Using a snap ring pliers, install the snap ring to the input shaft rear bearing.

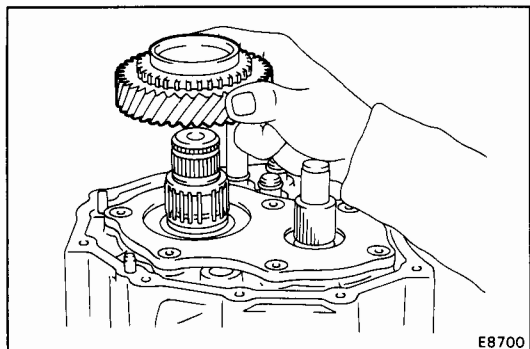


**23. INSTALL REAR BEARING RETAINER**

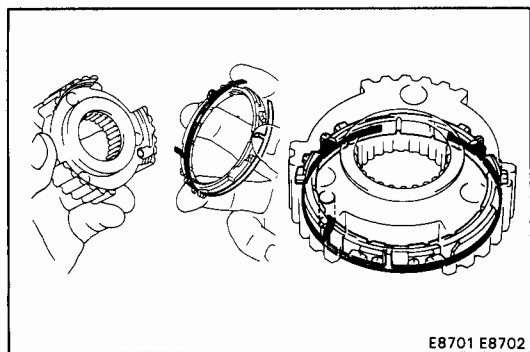
- (a) Clean the threads of the torx screws.
- (b) Using a torx wrench, install and torque the seven torx screws.

Torx wrench T45 09042-00050

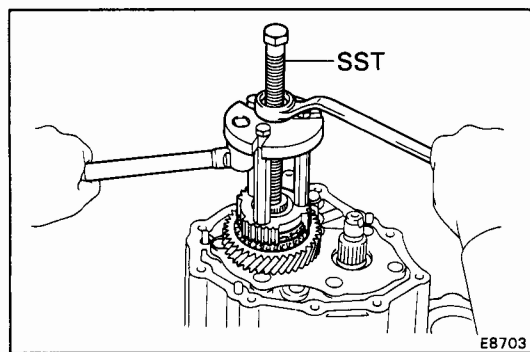
**Torque: 430 kg-cm (31 ft-lb, 42 N·m)**



**24. INSTALL SPACER, NEEDLE ROLLER BEARING AND FIFTH GEAR**



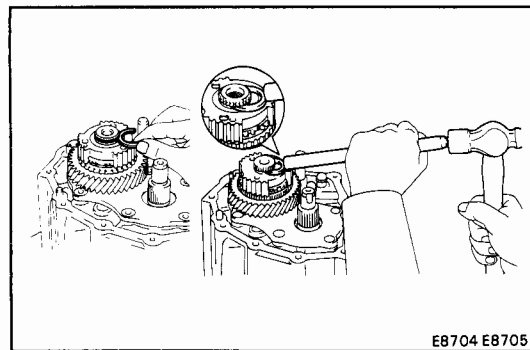
**25. INSTALL SYNCHRONIZER RING WITH KEY SPRING TO NO. 3 CLUTCH HUB**



**26. INSTALL NO. 3 CLUTCH HUB**

Using SST, install the No. 3 clutch hub with synchronizer ring and key spring.

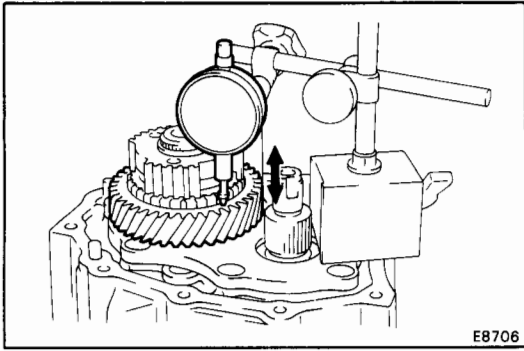
SST 09310-17010 (09310-07010, 09310-07020, 09310-07030)



**27. INSTALL SNAP RING**

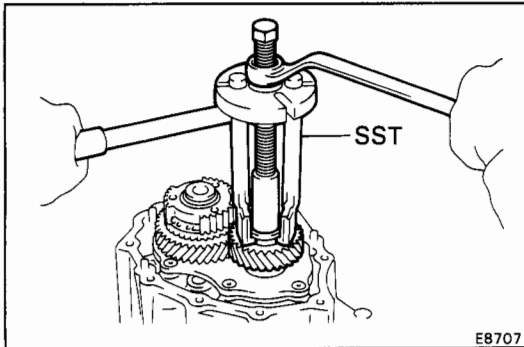
Select a snap ring that will allow minimum axial play and install it on the shaft.

Mark	Thickness mm (in.)	Mark	Thickness mm (in.)
Q	2.25 (0.0886)	V	2.50 (0.0984)
R	2.30 (0.0906)	W	2.55 (0.1004)
S	2.35 (0.0925)	X	2.60 (0.1024)
T	2.40 (0.0945)	Y	2.65 (0.1043)
U	2.45 (0.0965)		

**28. MEASURE FIFTH GEAR THRUST CLEARANCE**

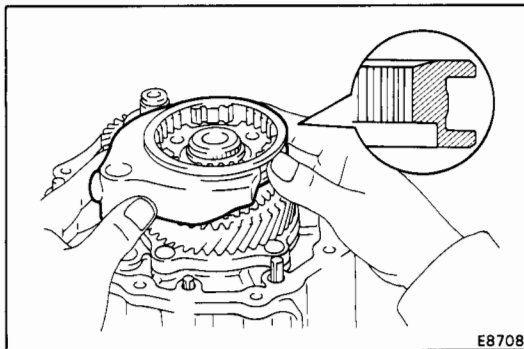
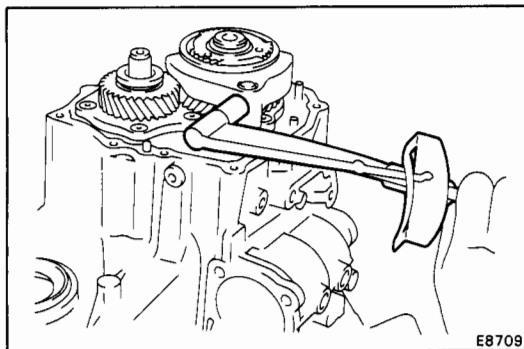
Using a dial indicator measure the 5th gear thrust clearance.

**Standard clearance: 0.10 – 0.57 mm  
(0.0039 – 0.0224 in.)**

**29. INSTALL FIFTH DRIVEN GEAR**

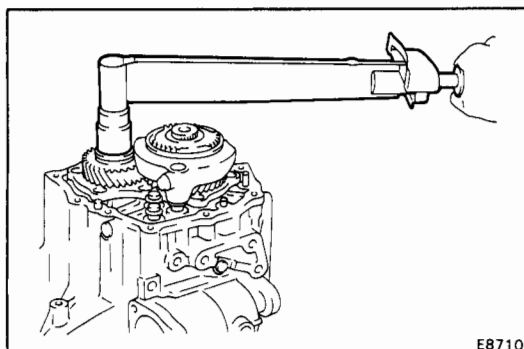
Using SST, install the 5th driven gear.

**SST 09310-17010 (09310-07010, 09310-07020,  
09310-07040, 09310-07050)**

**30. INSTALL NO. 3 HUB SLEEVE WITH NO. 3 SHIFT FORK****31. INSTALL SET BOLT**

Install and torque the set bolt.

**Torque: 240 kg-cm (17 ft-lb, 24 N·m)**

**32. INSTALL LOCK NUT**

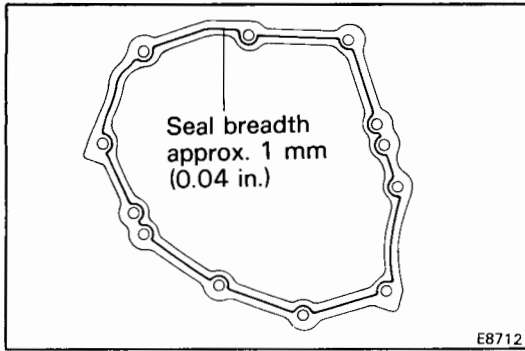
(a) Engage the gear double meshing.

(b) Install and torque the lock nut.

**Torque: 1,250 kg-cm (90 ft-lb, 123 N·m)**

(c) Disengage the gear double meshing.

(d) Stake the lock nut.



### 33. INSTALL TRANSMISSION CASE COVER

- (a) Remove any packing material and be careful not to drop oil on the contacting surfaces of the transmission case cover.
- (b) Apply seal packing to the transmission case as shown in the figure.

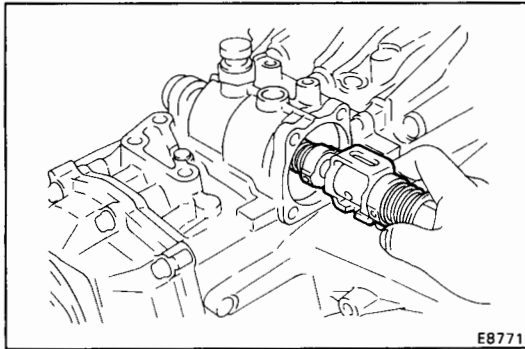
**Seal packing: Part No. 08826-00090, THREE BOND 1281 or equivalent**

**NOTE:** Install the transmission case cover as soon as the seal packing is applied.

- (c) Install and torque the ten bolts.

**Torque: 300 kg-cm (22 ft-lb, 29 N·m)**

### 34. INSTALL SHIFT AND SELECT LEVER SHAFT ASSEMBLY



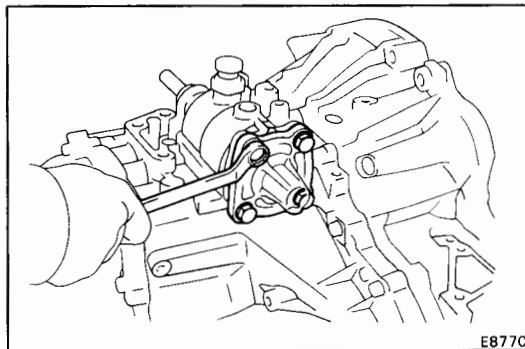
### 35. INSTALL CONTROL SHAFT COVER

- (a) Place a new gasket in position on the control shaft cover.
- (b) Install the control shaft cover.
- (c) Apply liquid sealant to the bolt threads.

**Sealant: Part No. 08833-00080, THREE BOND 1344, LOCTITE 242 or equivalent**

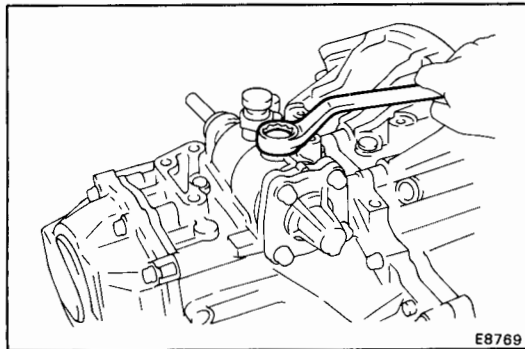
- (d) Install and torque the bolts.

**Torque: 200 kg-cm (14 ft-lb, 20 N·m)**



### 36. INSTALL AND TORQUE LOCK BOLT

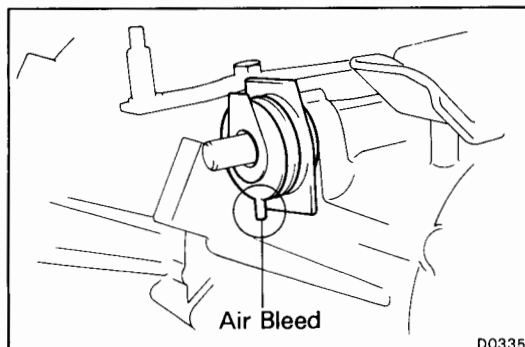
**Torque: 500 kg-cm (36 ft-lb, 49 N·m)**

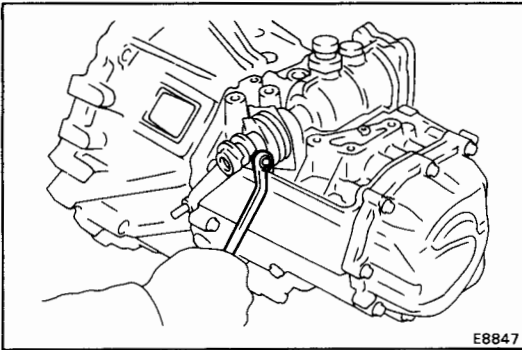


### 37. INSTALL SHIFT LEVER

- (a) Install the boot to the control shaft oil seal.

**NOTE:** Make sure to install the boot in the correct direction. Position the air bleed of the boot downward.

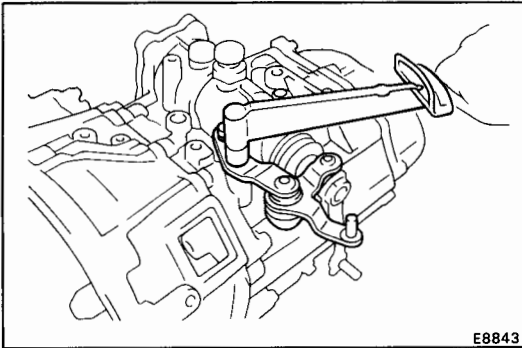




(b) Fit the pin's groove into the shaft's notch and tap on with a hammer.

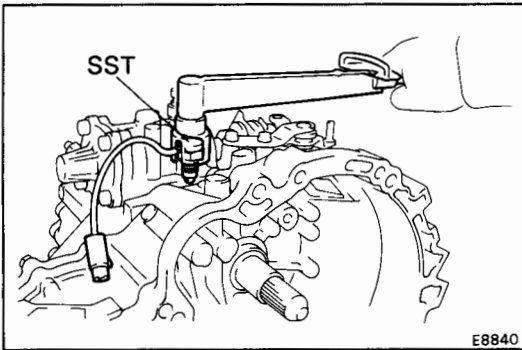
(c) Install and torque the nut.

**Torque: 120 kg-cm (9 ft-lb, 12 N·m)**



**38. INSTALL AND TORQUE SELECTING BELLCRANK ASSEMBLY**

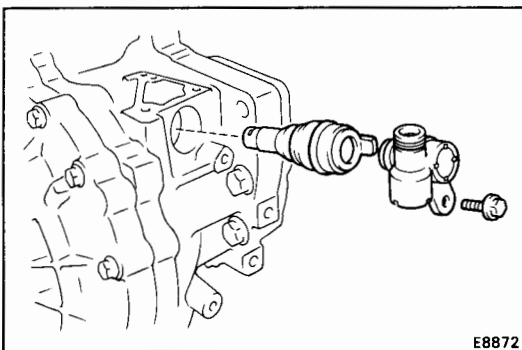
**Torque: 200 kg-cm (14 ft-lb, 20 N·m)**



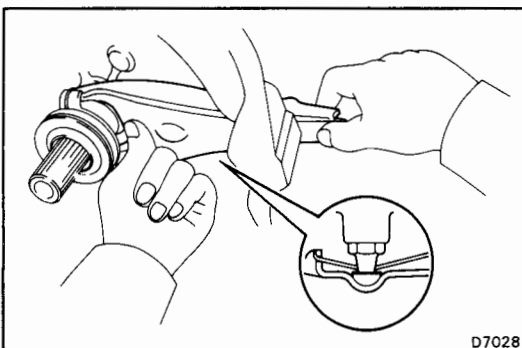
**39. INSTALL BACK-UP LIGHT SWITCH**

Using SST, install and torque the back-up light switch.  
SST 09817-16011

**Torque: 410 kg-cm (30 ft-lb, 40 N·m)**



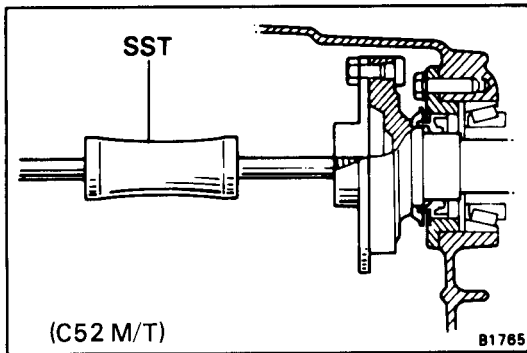
**40. INSTALL SPEEDOMETER DRIVEN GEAR**



**41. INSTALL RELEASE FORK AND BEARING**

Apply molybdenum disulphide lithium base grease to the following parts:

- Release bearing hub inside groove
- Input shaft spline
- Release fork contact surface



## INSTALLATION OF TRANSAXLE

### 1. INSTALL SIDE GEAR SHAFT TO TRANSAXLE

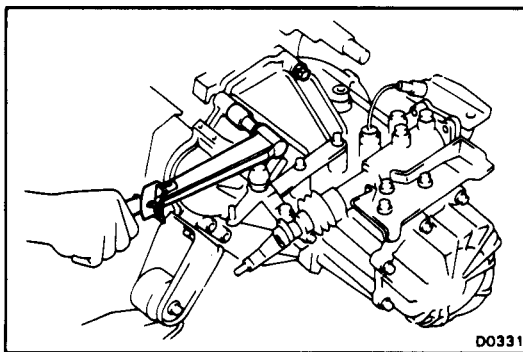
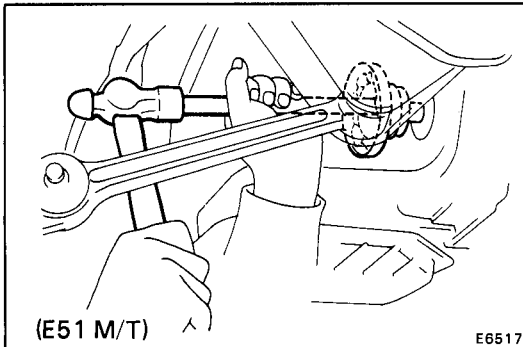
- Ensure that a new snap ring is positioned securely in the groove of the side gear shaft.
- (C52 M/T)  
Using SST, drive in the side gear shaft until it makes contact with the pinion shaft.

SST 09520-32012

(E51 M/T)

Using a brass bar and hammer, drive in the side gear shaft until it makes contact with the pinion shaft.

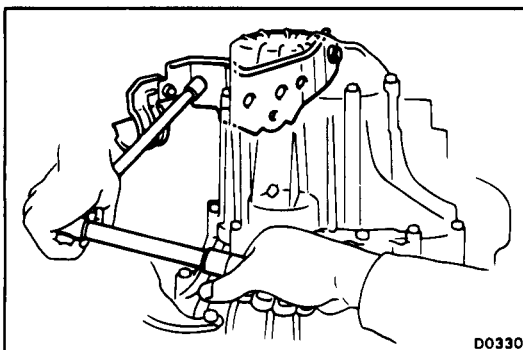
**NOTE:** Whether or not the side gear shaft is making contact with the pinion shaft can be known by the sound or feeling when driving it in.



### 2. INSTALL TRANSAXLE TO ENGINE

Align the input shaft spline with the clutch disc, and install the transaxle to the engine. Torque the bolts.

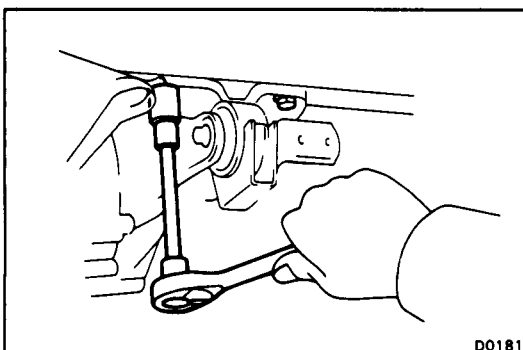
**Torque:** 12 mm bolt 650 kg-cm (47 ft-lb, 64 N·m)  
10 mm bolt 470 kg-cm (34 ft-lb, 46 N·m)



### 3. INSTALL LEFT ENGINE MOUNTING

Install the left engine mounting with the bolts. Torque the bolts.

**Torque:** 530 kg-cm (38 ft-lb, 52 N·m)

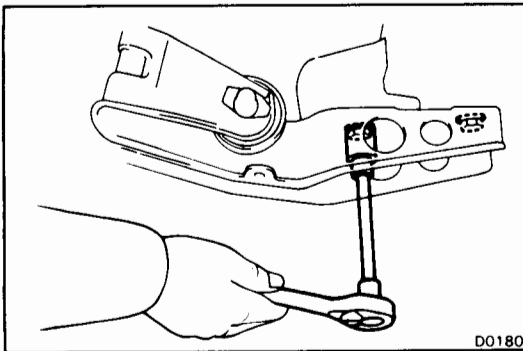


### 4. INSTALL REAR ENGINE MOUNTING

Install the rear engine mounting with the bolts. Torque the bolts.

**Torque:** 530 kg-cm (38 ft-lb, 52 N·m)

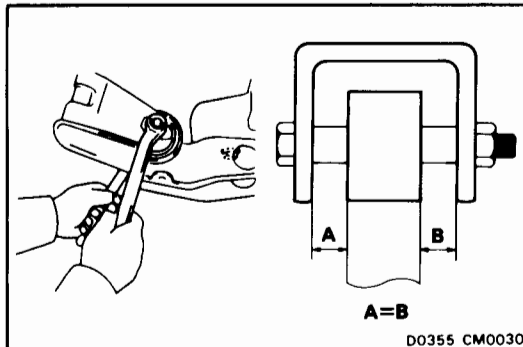




**5. INSTALL FRONT ENGINE MOUNTING**

- (a) Install the front engine mounting with the bolts to the body.

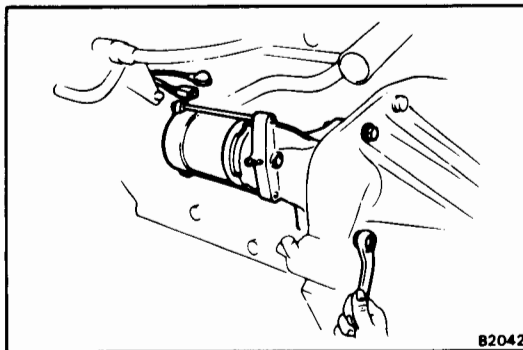
**Torque: 530 kg-cm (38 ft-lb, 52 N·m)**



- (b) Loosen the insulator set bolt.
- (c) By bouncing the engine, confirm the front mount insulator is mounted on the middle of the insulator mount bracket.

- (d) Torque the insulator set bolt.

**Torque: 800 kg-cm (58 ft-lb, 78 N·m)**

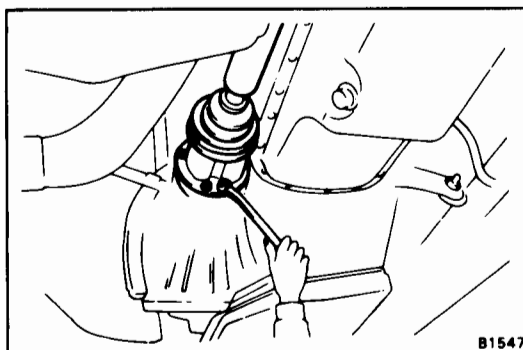


**6. INSTALL STARTER**

- (a) Install the starter with the two bolts.  
Torque the bolts.

**Torque: 400 kg-cm (29 ft-lb, 39 N·m)**

- (b) Connect the connector and cable.



**7. CONNECT DRIVE SHAFT TO SIDE GEAR SHAFT**

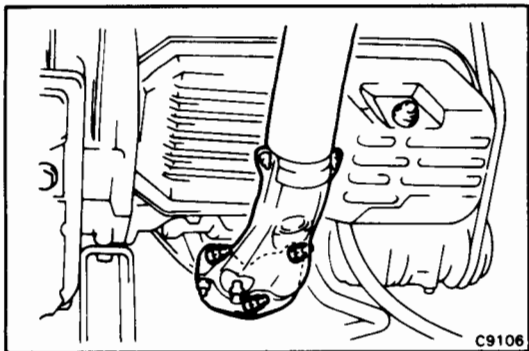
- (a) Connect the drive shaft to the side gear shaft.  
Torque the nuts.

**Torque: 370 kg-cm (27 ft-lb, 36 N·m)**



- (b) Install the transaxle protector.  
Torque the bolts.

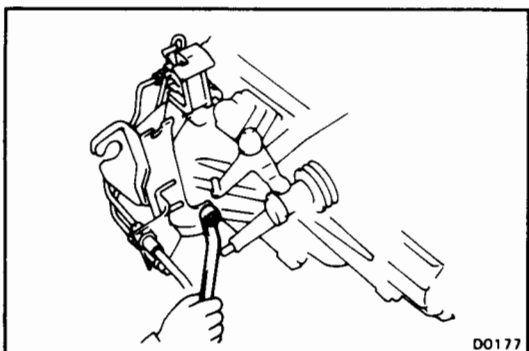
**Torque: 130 kg-cm (9 ft-lb, 13 N·m)**



## 8. INSTALL EXHAUST PIPE ASSEMBLY

- Install the exhaust pipe assembly to the rear bracket.
- Install the front bracket to the body.
- Connect the exhaust pipe to the exhaust manifold. Torque the nuts.

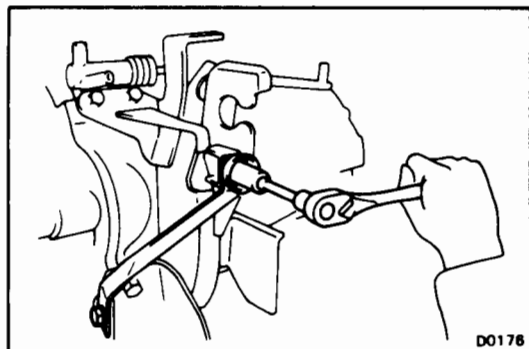
**Torque: 630 kg-cm (46 ft-lb, 62 N·m)**



## 9. INSTALL CONTROL CABLE BRACKET AND CLUTCH RELEASE CYLINDER

- Install the control cable bracket and clutch release cylinder. Torque the bolts.

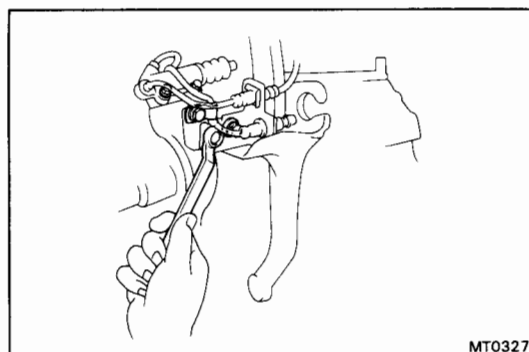
**Torque: Transaxle side**  
**650 kg-cm (47 ft-lb, 64 N·m)**  
**Release cylinder side**  
**185 kg-cm (13 ft-lb, 18 N·m)**



- Install the No. 2 control cable bracket. Torque the bolts.

**Torque: 195 kg-cm (14 ft-lb, 19 N·m)**

- Install the water hose clamp to the control cable bracket.

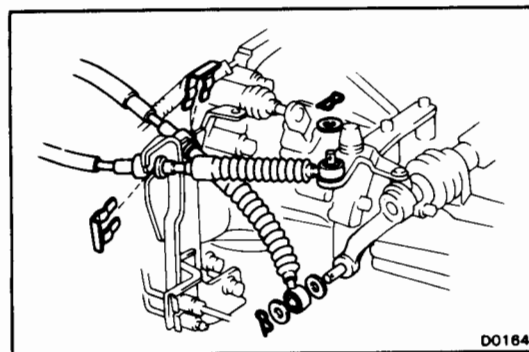


(E51 M/T)

Install the clutch release cylinder pipe bracket and clamp.

Torque the bolts.

**Torque: 185 kg-cm (13 ft-lb, 18 N·m)**



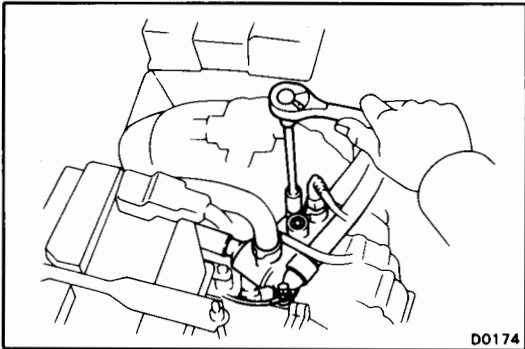
## 10. CONNECT CONTROL CABLES

- Install the two control cables with two retainers to the bracket.
- Connect the two control cables to the linkages and install the three washers and two clips.

## 11. INSTALL FUEL TANK PROTECTOR

## 12. INSTALL ENGINE UNDER COVER

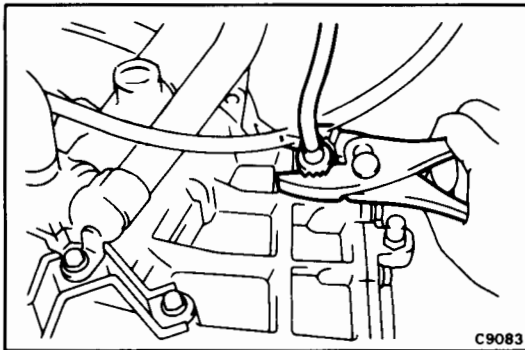
## 13. INSTALL NO. 2 ENGINE REAR PLATE



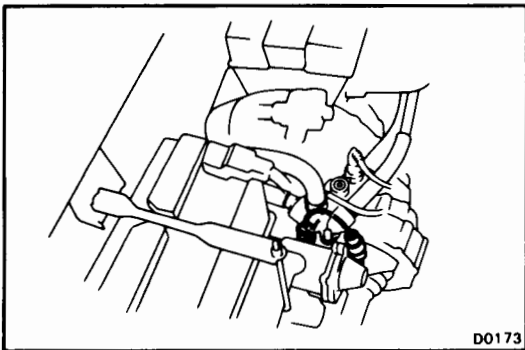
**14. INSTALL WATER INLET**

- (a) Set the ground strap.
- (b) Install the water inlet with the bolts.  
Torque the bolts.

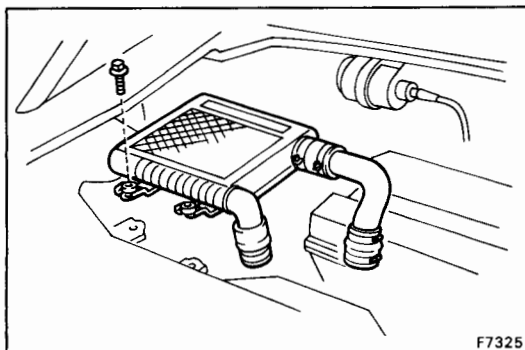
**Torque: 200 kg-cm (14 ft-lb, 20 N·m)**



**15. INSTALL SPEEDOMETER CABLE**



**16. CONNECT BACK-UP LIGHT SWITCH CONNECTOR**



**17. (E51 M/T) INSTALL INTERCOOLER**

Install the intercooler and four bolts, connect the two hose clamps.

Torque the bolts.

**Torque: 175 kg-cm (13 ft-lb, 17 N·m)**

**18. INSTALL NEGATIVE BATTERY TERMINAL WIRE**

**19. FILL TRANSAXLE WITH GEAR OIL**

**(C52 M/T)**

**Oil grade: API GL-4 or GL-5**

**Viscosity: SAE 75W – 90 or 80W – 90**

**Capacity: 2.6 liters (2.7 US qts, 2.3 Imp. qts)**

**(E51 M/T)**

**Oil grade: API GL-4 or GL-5**

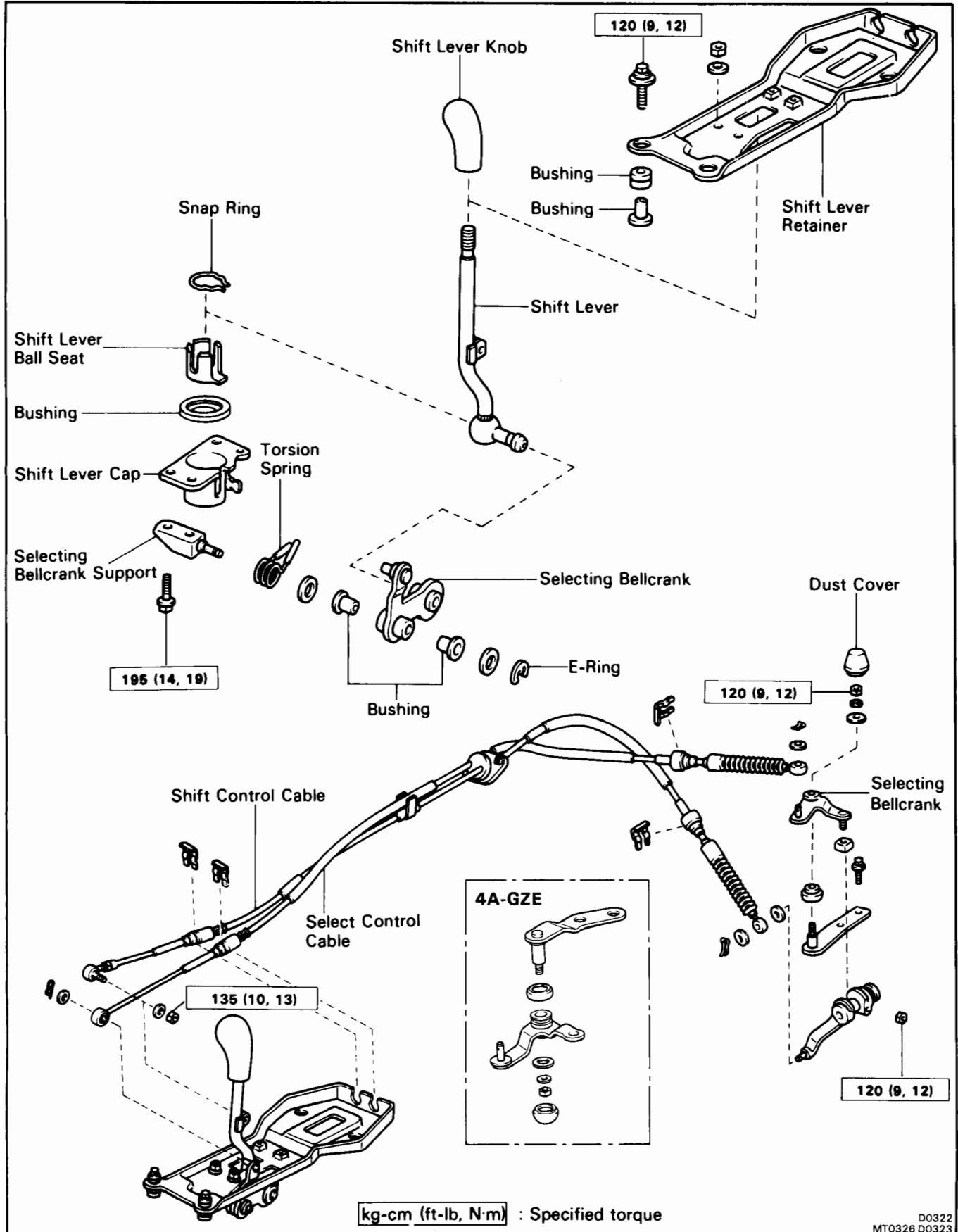
**Viscosity: SAE 75W – 90 or 80W – 90**

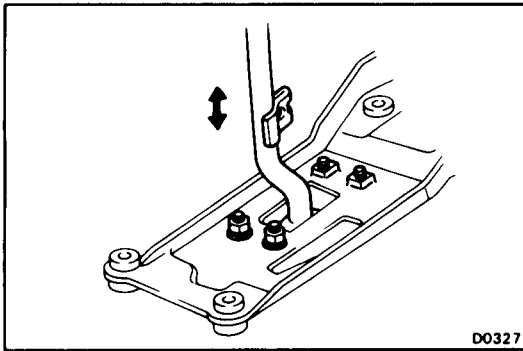
**Capacity: 4.2 liters (4.4 US qts, 3.7 Imp. qts)**

**20. PERFORM ROAD TEST**

Check for abnormal noise and smooth operation.

# SHIFT LEVER AND CONTROL CABLE COMPONENTS

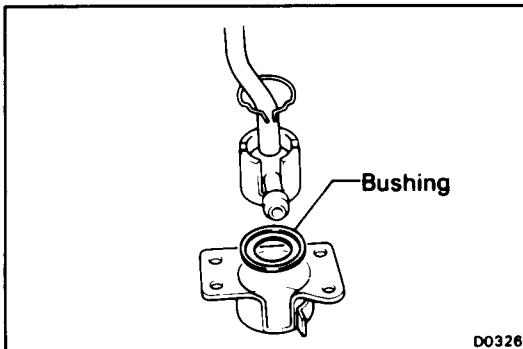




## INSPECTION OF SHIFT LEVER

### INSPECT SHIFT LEVER PLAY

Check that there is no vertical play in the shift lever. If there is any play, replace bushing.



# AUTOMATIC TRANSAXLE

	Page
<b>SYSTEM DESCRIPTION</b> .....	AT-2
<b>TROUBLESHOOTING</b> .....	AT-2
<b>Basic Troubleshooting</b> .....	AT-2
<b>General Troubleshooting</b> .....	AT-3
<b>Preliminary Check</b> .....	AT-5
<b>Manual Shifting Test</b> .....	AT-7
<b>Stall Test</b> .....	AT-8
<b>Time Lag Test</b> .....	AT-9
<b>Hydraulic Test</b> .....	AT-10
<b>Road Test</b> .....	AT-11
<b>Electronic Control System</b> .....	AT-15
<b>OPERATING MECHANISM FOR EACH GEAR</b> ...	AT-30
<b>AUTOMATIC SHIFT DIAGRAM</b> <b>(A240E/4A-GE)</b> .....	AT-31
<b>AUTOMATIC SHIFT DIAGRAM</b> <b>(A241E/4A-GZE)</b> .....	AT-34
<b>ON-VEHICLE REPAIR</b> .....	AT-37
<b>REMOVAL OF TRANSAXLE</b> .....	AT-44
<b>TORQUE CONVERTER</b> .....	AT-48
<b>OIL PUMP</b> .....	AT-48
<b>DISASSEMBLY OF TRANSMISSION</b> .....	AT-50
<b>COMPONENT GROUP DISASSEMBLY,</b> <b>INSPECTION AND ASSEMBLY</b> .....	AT-70
<b>Oil Pump</b> .....	AT-71
<b>Direct Clutch</b> .....	AT-74
<b>Forward Clutch</b> .....	AT-77
<b>No.1 One-way Clutch and Sun Gear</b> .....	AT-80
<b>No.2 One-way Clutch and</b> <b>Rear Planetary Gear</b> .....	AT-82
<b>First and Reverse Brake Piston</b> .....	AT-84
<b>Intermediate Shaft</b> .....	AT-86
<b>Counter Shaft</b> .....	AT-88
<b>Valve Body</b> .....	AT-96
<b>ASSEMBLY OF TRANSMISSION</b> .....	AT-112
<b>DIFFERENTIAL</b> .....	AT-134
<b>INSTALLATION OF TRANSAXLE</b> .....	AT-144

## SYSTEM DESCRIPTION

The transaxle for A240E and A241E, also called Electronic Controlled Transaxle (ECT), differs from the oil pressure control type transaxle in that it is controlled by a microcomputer. Accordingly, troubleshooting procedures differ also.

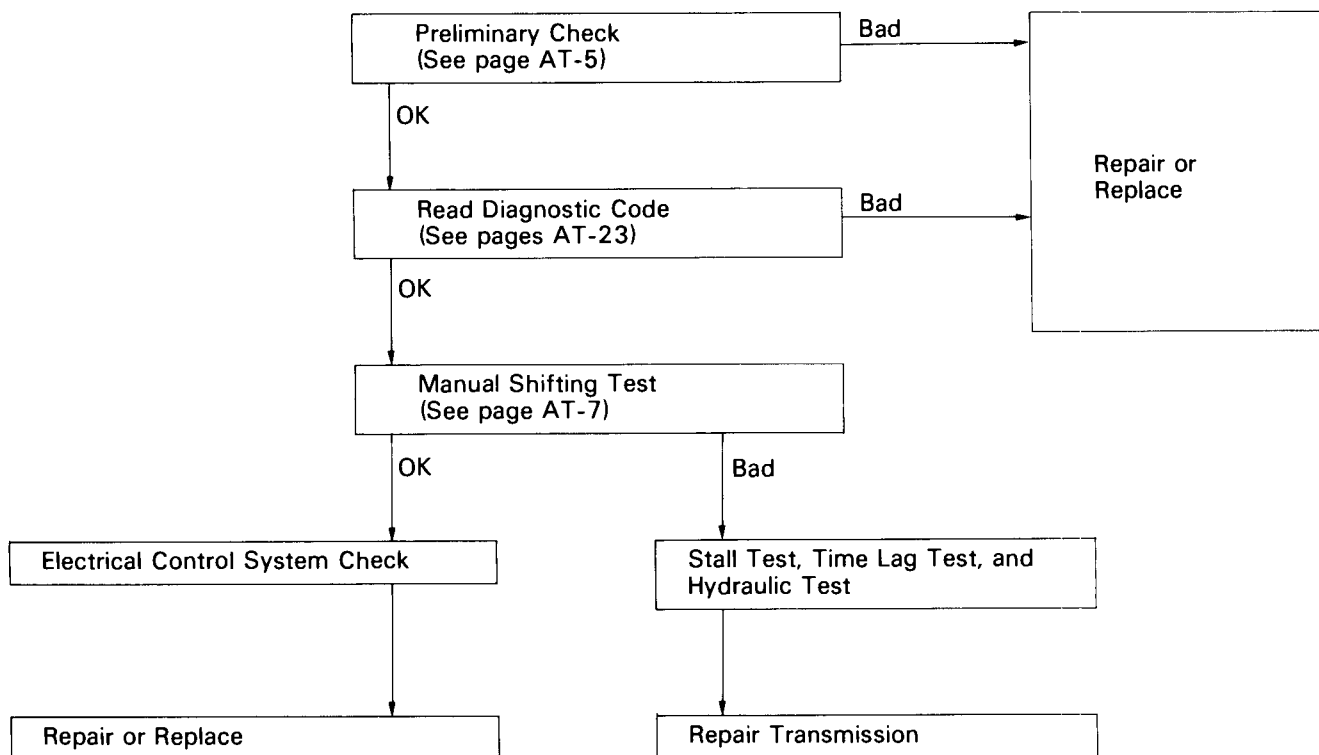
Trouble occurring in the ECT can stem from one of three sources: the engine, the ECT electronic control unit or the transaxle itself. Before troubleshooting, determine in which of these three sources the problem lies, and begin troubleshooting with the simplest operation, gradually working up in order of difficulty.

## TROUBLESHOOTING

### Basic Troubleshooting

Before troubleshooting an ECT, first determine whether the problem is electrical or mechanical. To do this, just refer to the basic troubleshooting flow-chart provided below.

If the cause is already known, using the basic troubleshooting chart below along with the general troubleshooting chart on the following page should speed the procedure.



## General Troubleshooting

Problem	Possible cause	Remedy	Page
Fluid discolored or smells burnt	Fluid contaminated Torque converter faulty Transmission faulty	Replace fluid Replace torque converter Disassemble and inspect transmission	AT-5 AT-48 AT-50
Vehicle does not move in any forward range or reverse	Control cable out of adjustment Valve body or primary regulator faulty Parking lock pawl faulty Torque converter faulty Oil pump intake screen blocked Transmission faulty	Adjust control cable Inspect valve body Inspect parking lock pawl Replace torque converter Clean screen Disassemble and inspect transmission	AT-6 AT-96 AT-66 AT-48 AT-50
Shift lever position incorrect	Control cable out of adjustment Manual valve and lever faulty Transmission faulty	Adjust control cable Inspect valve body Disassemble and inspect transmission	AT-6 AT-96 AT-50
Harsh engagement into any drive range	Throttle cable out of adjustment Valve body or primary regulator faulty Transmission faulty	Adjust throttle cable Inspect valve body Disassemble and inspect transmission	AT-6 AT-96 AT-50
Delayed 1-2, 2-3 or 3-OD up-shift, or down-shifts from OD-3 or 3-2 and shifts back to 4 or 3	Throttle cable out of adjustment Valve body faulty Solenoid valve faulty	Adjust throttle cable Inspect valve body Inspect solenoid valve	AT-6 AT-96 AT-27
Slips on 1-2, 2-3 or 3-OD up-shift, or slips or shudders on acceleration	Control cable out of adjustment Throttle cable out of adjustment Valve body faulty Solenoid valve faulty Transmission faulty	Adjust control cable Adjust throttle cable Inspect valve body Inspect solenoid valve Disassemble and inspect transmission	AT-6 AT-6 AT-96 AT-17 AT-50
Vehicle does not hold in P range	Control cable out of adjustment Parking lock pawl cam and spring faulty	Adjust control cable Inspect cam and spring	AT-6 AT-66



## General Troubleshooting (Cont'd)

Problem	Possible cause	Remedy	Page
Drag, binding or tie-up on 1-2, 2-3 or 3-OD up-shift	Control cable out of adjustment Valve body faulty Transmission faulty	Adjust control cable Inspect valve body Disassemble and inspect transmission	AT-6 AT-96 AT-50
No lock-up in 2nd, 3rd or OD	Electronic control faulty Valve body faulty Solenoid valve faulty Transmission faulty	Inspect electronic control Inspect valve body Inspect solenoid valve Disassemble and inspect transmission	AT-15 AT-96 AT-27 AT-50
Harsh down-shift	Throttle cable out of adjustment Valve body faulty Transmission faulty	Adjust throttle cable Inspect valve body Disassemble and inspect transmission	AT-6 AT-96 AT-50
No down-shift when coasting	Valve body faulty Solenoid valve faulty Electronic control faulty	Inspect valve body Inspect solenoid valve Inspect electronic control	AT-96 AT-27 AT-15
Down-shift occurs too quickly or too late while coasting	Throttle cable out of adjustment Valve body faulty Transmission faulty  Solenoid valve faulty Electronic control faulty	Adjust throttle cable Inspect valve body Disassemble and inspect transmission  Inspect solenoid valve Inspect electronic control	AT-6 AT-96 AT-50  AT-27 AT-15
No OD-3, 3-2 or 2-1 kick-down	Throttle cable out of adjustment Solenoid valve faulty Electronic control faulty Valve body faulty	Adjust throttle cable Inspect solenoid valve Inspect electronic control Inspect valve body	AT-6 AT-96 AT-15 AT-96
No engine braking in 2 or L range	Solenoid valve faulty Electronic control faulty Valve body faulty Transmission faulty	Inspect solenoid valve Inspect electronic control Inspect valve body Disassemble and inspect transmission	AT-27 AT-15 AT-96 AT-50

## Preliminary Check

### 1. CHECK FLUID LEVEL

NOTE: The vehicle must have been driven so that the engine and transmission are at normal operating temperature. (fluid temperature: 70 – 80°C or 158 – 176°F)

- (a) Park the vehicle on a level surface, set the parking brake.
- (b) With the engine idling, shift the selector into each gear from P range to L range and return to P range.
- (c) Pull out the transmission dipstick and wipe it clean.
- (d) Push it back fully into the tube.
- (e) Pull it out and check that the fluid level is in the HOT range. If the level is at the low side of either range, add fluid.

Fluid type: **ATF DEXRON® II**

**CAUTION: Do not overfill.**

### 2. CHECK FLUID CONDITION

If the fluid smells burnt or is black, replace it.

### 3. REPLACE ATF

**CAUTION: Do not overfill.**

- (a) Remove the drain plug and drain the fluid.
- (b) Reinstall the drain plug securely.
- (c) With the engine OFF, and new fluid through the filler tube.

SST 09043-38100

Fluid: **ATF DEXRON® II**

Capacity:

**A240E/4A-GE** 7.2 liters  
(7.6 US qts, 6.3 Imp. qts)

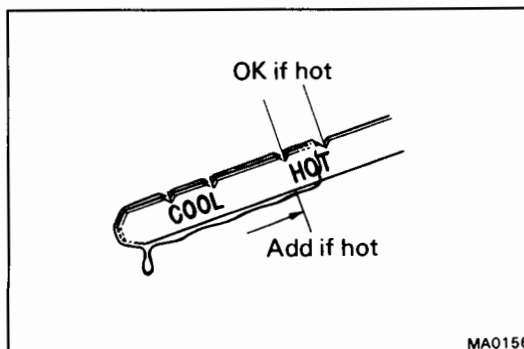
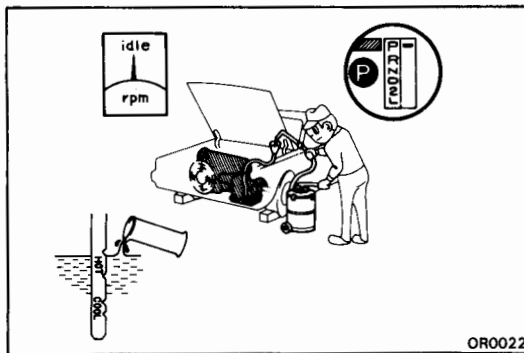
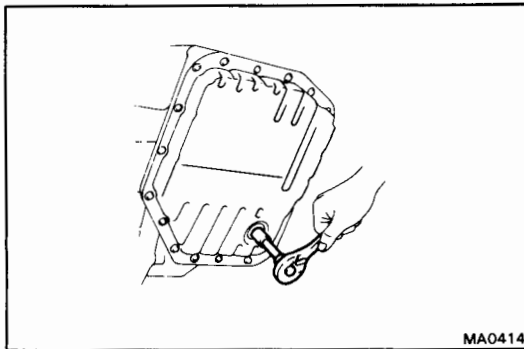
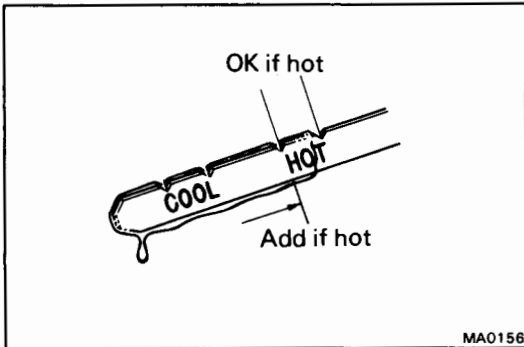
**A241E/4A-GZE** 7.9 liters  
(8.4 US qts, 7.0 Imp. qts)

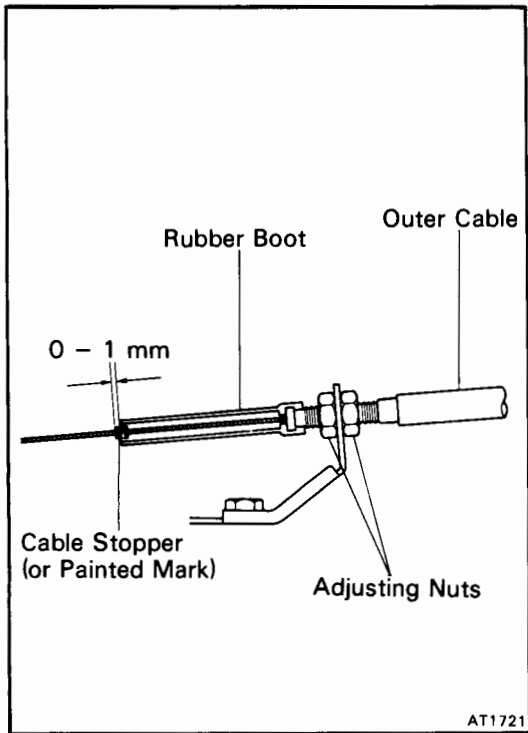
Drain and refill (Reference):

3.1 liters (3.3 US qts, 2.7 Imp. qts)

- (d) Start the engine and shift the selector into all positions from P through L and then shift into P.
- (e) With the engine idling, check the fluid level. Add fluid up to the "COOL" level on the dipstick.
- (f) Check the fluid level with the normal fluid temperature (70 – 80°C or 158 – 176°F) and add as necessary.

**CAUTION: Do not overfill.**





#### 4. INSPECT AND ADJUST THROTTLE CABLE

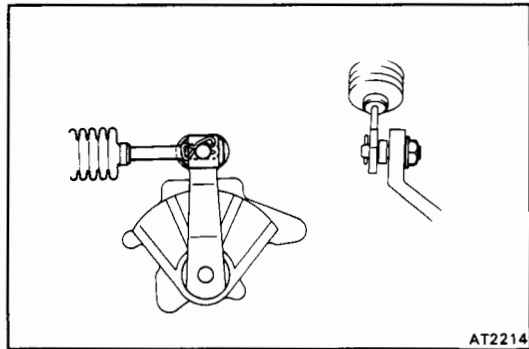
- (a) Depress the accelerator pedal all the way and check that the throttle valve opens fully.

NOTE: If the valve does not open fully, adjust the accelerator link.

- (b) Fully depress the accelerator.  
 (c) Loosen the adjustment nuts.  
 (d) Adjust the cable housing so that the distance between the end of the boot and stopper on the cable is the standard.

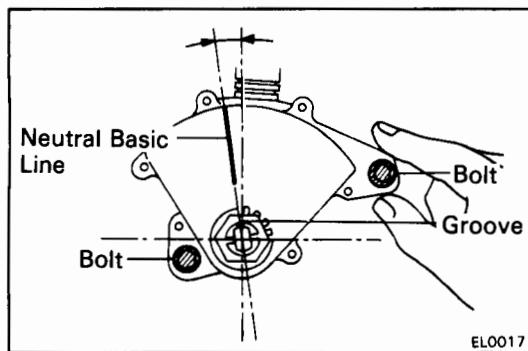
**Standard boot and cable stopper distance:**  
**0 – 1 mm (0 – 0.04 in.)**

- (e) Tighten the adjusting nuts.  
 (f) Recheck the adjustments.



#### 5. ADJUST CONTROL CABLE

- (a) Loosen the swivel nut on manual shift lever.  
 (b) Push the manual lever fully toward the right side of the vehicle.  
 (c) Return the lever two notches to NEUTRAL position.  
 (d) Set the shift lever to N.  
 (e) While holding the lever lightly toward the R range side, tighten the swivel nut.



#### 6. ADJUST NEUTRAL START SWITCH

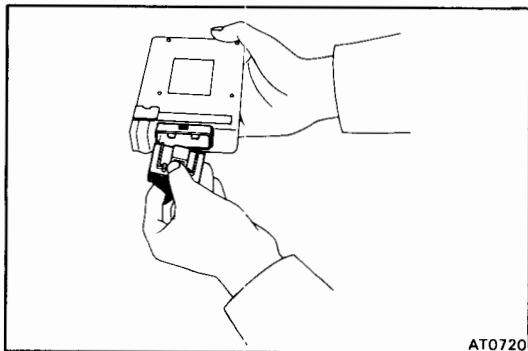
If the engine will start with the shift selector in any range other than N or P range, adjustment is required.

- (a) Loosen the neutral start switch bolts and set the shift selector to the N range.  
 (b) Align the groove and neutral basic line.  
 (c) Hold in position and tighten the bolts.

**Torque: 55 kg-cm (48 in.-lb, 5.4 N·m)**

#### 7. INSPECT IDLE SPEED (N RANGE)

**Idle speed: 800 rpm**



## Manual Shifting Test

**NOTE:** With this test, it can be determined whether the trouble lies within the electrical circuit or is a mechanical problem in the transmission.

### 1. DISCONNECT ECT COMPUTER CONNECTOR

- (a) Remove the luggage compartment panel.
- (b) With the engine OFF, disconnect the ECT connector.

### 2. INSPECT MANUAL DRIVING OPERATION

Check that the shift and gear positions correspond with the table below.

Shift position	D range	2 range	L range	R range	P range
Gear position	OD	3rd	1st	Reverse	Pawl Lock

If the L, 2 and D range gear positions are difficult to distinguish, do not perform the following road test.

- (a) While driving, shift through the L, 2 and D ranges and back up again. Check that the gear change corresponds to the gear position.
- (b) While driving shift through the D, 2 and L ranges and back down again. Check that the gear change corresponds to the gear position.

If any abnormality is found in the above tests do not perform the stall, time lag or gear change tests.

### 3. CONNECT ECT COMPUTER CONNECTOR

- (a) Connect the ECT computer connector.
- (b) Install the center cluster.

# Stall Test

The object of this test is to check the overall performance of the transmission and engine by measuring the maximum engine speeds in D and R ranges.

**CAUTION:**

- (a) Perform the test at normal operating fluid temperature (50 – 80°C or 122 – 176°F).
- (b) Do not continuously run this test longer than 5 seconds.

**MEASURE STALL SPEED**

- (a) Chock the front and rear wheels.
- (b) Mount an engine tachometer.
- (c) Fully apply the parking brake.
- (d) Step down strongly on the brake pedal with your left foot.
- (e) Start the engine.
- (f) Shift into D range. Step all the way down on the accelerator pedal with your right foot. Quickly read the highest engine rpm at this time.

**Stall speed:**

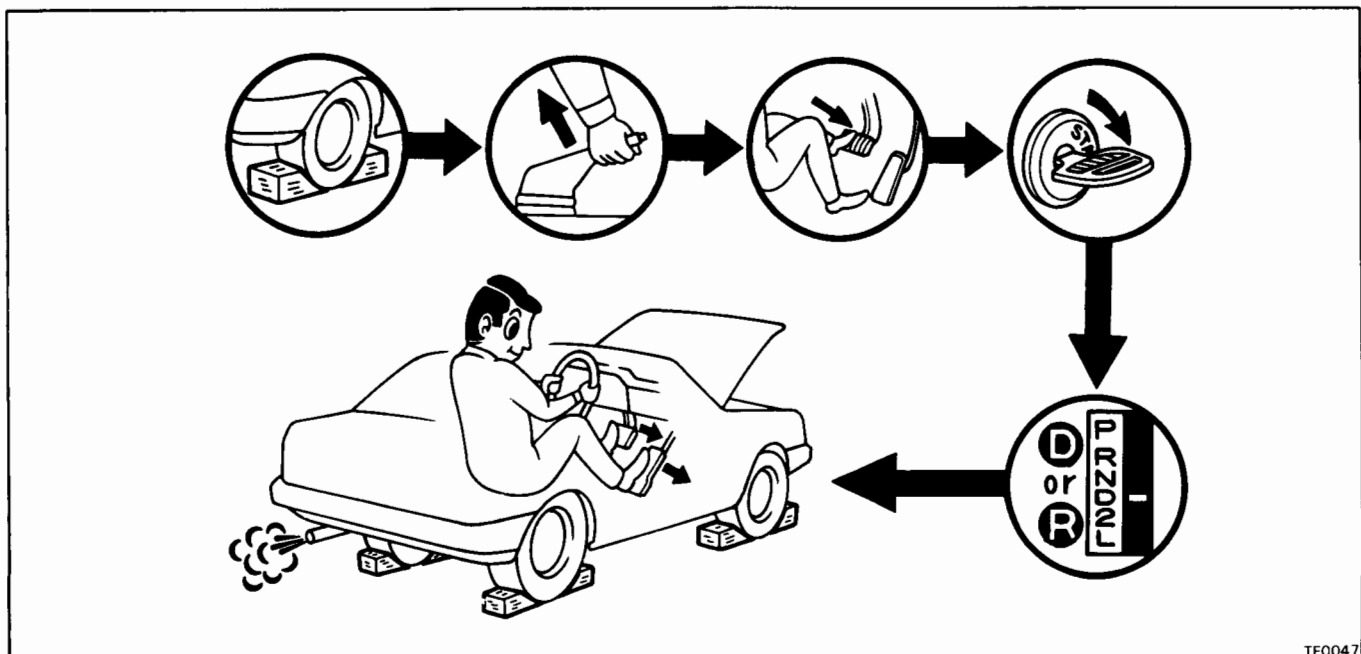
**A240E/4A-GE** 2,150 ± 150 rpm  
**A241E/4A-GZE** 2,650 ± 150 rpm

- (g) Perform the same test in R range.

- (b) If the stall speed in D range is higher than specified:
  - Line pressure too low
  - Forward clutch slipping
  - One-way clutch No. 2 not operating properly
  - UD one-way clutch not operating properly
- (c) If the stall speed in R range is higher than specified:
  - Line pressure too low
  - Direct clutch slipping
  - First and reverse brake slipping
  - UD brake slipping
- (d) If the stall speed in R and D ranges is higher than specified:
  - Line pressure too low
  - Improper fluid level
  - UD brake slipping

**EVALUATION**

- (a) If the engine speed is the same for both ranges but lower than specified value:
  - Engine output may be insufficient.
  - Stator one-way clutch is not operating properly.



## Time Lag Test

If the shift lever is shifted while the engine is idling, there will be a certain time elapse or lag before the shock can be felt. This is used for checking the condition of the OD clutch, forward clutch, direct clutch and first and reverse brake.

### CAUTION:

- Perform the test at normal operating fluid temperature (50 – 80°C or 122 – 176°F).
- Be sure to allow one minute interval between tests.
- Make three measurements and take the average value.

### MEASURE TIME LAG

- Fully apply the parking brake.
- Start the engine and check the idle speed.

**Idling speed: 800 rpm**

- Shift the shift lever from N to D range. Using a stop watch, measure the time it takes from shifting the lever until the shock is felt.

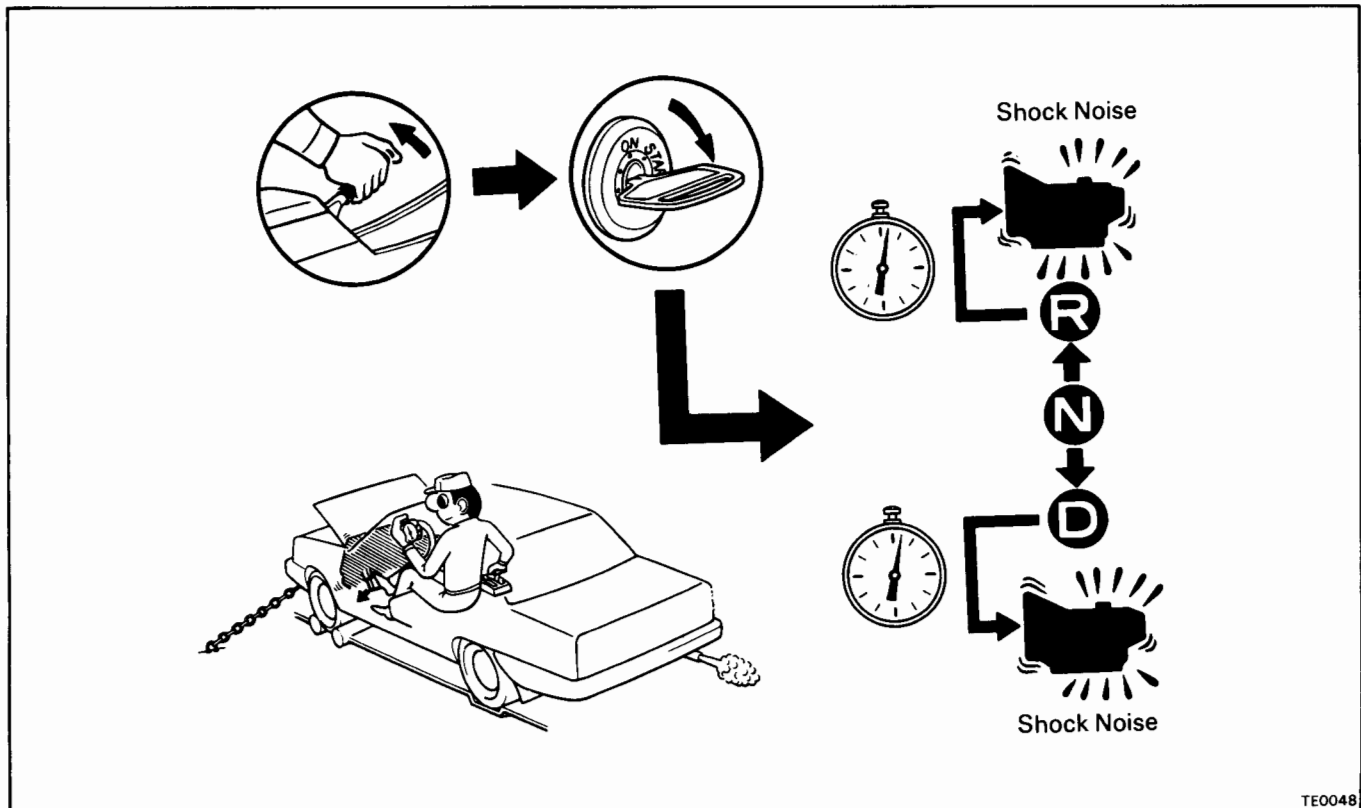
**Time lag: Less than 1.2 seconds**

- In same manner, measure the time lag for N → R.

**Time lag: Less than 1.5 seconds**

### EVALUATION

- If N → D time lag is longer than specified:
  - Line pressure too low
  - Forward clutch worn
  - No. 2 and UD one-way clutch not operating properly
- If N → R time lag is longer than specified:
  - Line pressure too low
  - Direct clutch worn
  - First and reverse brake worn
  - UD brake worn



# Hydraulic Test

## 1. PREPARATION

- (a) Warm up the transmission fluid.
- (b) Remove the transmission case test plug and mount the hydraulic pressure gauge.

SST 09992-00094 Oil pressure gauge

**CAUTION:**

Perform the test at normal operating fluid temperature (50 – 80°C or 122 – 176°F).

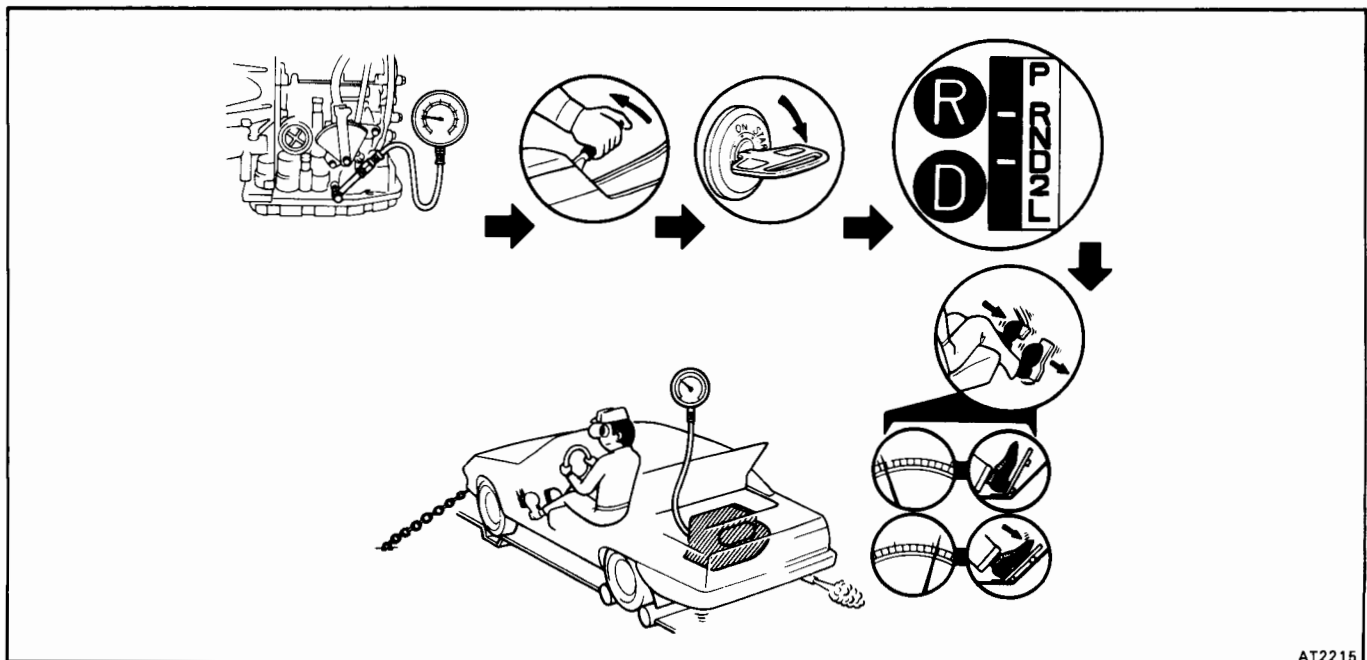
## 2. MEASURE LINE PRESSURE

- (a) Fully apply the parking brake and chock the four wheels.
- (b) Start the engine and check the idling rpm.
- (c) Shift into D range, step down strongly on the brake pedal with your left foot and while manipulating the accelerator pedal with the right foot, measure the line pressure at the engine speeds specified in table.
- (d) In the same manner, perform the test in R range.
- (e) If the measured pressures are not up to specified values, recheck the throttle cable adjustment and retest.

## EVALUATION

- (a) If the measured values at all ranges are higher than specified:
  - Throttle cable out of adjustment
  - Throttle valve defective
  - Regulator valve defective
- (b) If the measured values at all ranges are lower than specified:
  - Throttle cable out of adjustment
  - Throttle valve defective
  - Regulator valve defective
  - Oil pump defective
  - UD one-way clutch not operating properly
- (c) If pressure is low in D range only:
  - D range circuit fluid leakage
  - Forward clutch defective
  - UD one-way clutch not operating properly
- (d) If pressure is low in R range only:
  - R range circuit fluid leakage
  - Direct clutch defective
  - First and reverse brake defective
  - UD one-way clutch not operating properly

ATM/ Engine	Line pressure			
	D range		R range	
	Idling	Stall	Idling	Stall
A240E/4A-GE	3.7 - 4.3 (53 - 61, 363 - 422)	9.2 - 10.7 (131 - 152, 902 - 1,049)	5.4 - 7.2 (77 - 102, 530 - 706)	14.4 - 16.8 (205 - 239, 1,412 - 1,648)
A241E/4A-GZE	3.7 - 4.3 (53 - 61, 363 - 422)	9.2 - 10.7 (131 - 152, 902 - 1,049)	6.3 - 8.1 (90 - 115, 618 - 794)	15.9 - 19.3 (226 - 274, 1,559 - 1,893)



## Road Test

**CAUTION:** Perform the test at normal operating fluid temperature (50 – 80°C or 122 – 176°F).

### 1. D RANGE TEST IN NORM AND PWR PATTERN RANGES

Shift into the D range and hold accelerator pedal constant at 50% and 100% throttle valve opening positions. Push in one of the pattern selection buttons with OD the switch ON and check the following:

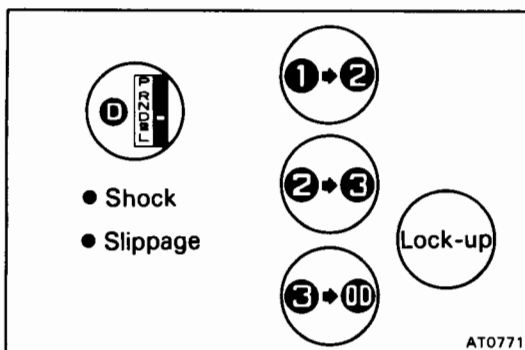
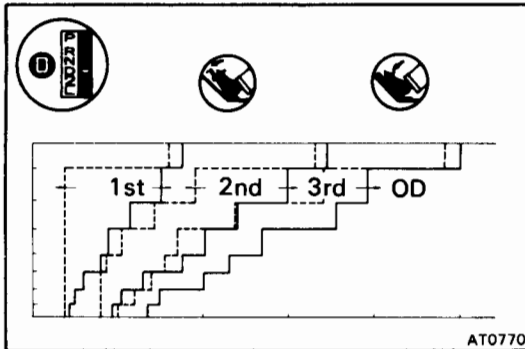
- (a) 1-2, 2-3, 3-OD and lock-up up-shifts should take place, and shift points should conform to those shown in the automatic shift diagram.

**NOTE:**

- (1) There is no OD up-shift when coolant temperature is below 50°C (122°F).  
 (2) There is no lock-up when the vehicle speed is 10 km/h (6 mph) less than the set cruise control speed.

**EVALUATION**

- (1) If there is no 1 → 2 up-shift:  
 ● No. 2 solenoid is stuck  
 ● 1-2 shift valve is stuck
- (2) If there is no 2 → 3 up-shift:  
 ● No. 1 solenoid is stuck  
 ● 2-3 shift valve is stuck
- (3) If there is no 3 → OD up-shift (throttle valve opening 1/2):  
 ● 3-OD shift valve is stuck
- (4) If the shift point is defective:  
 ● Throttle valve, 1-2 shift valve, 2-3 shift valve, 3-OD shift valve ect., are defective.
- (5) If the lock-up is defective:  
 ● No. 3 solenoid is stuck  
 ● Lock-up relay valve is stuck



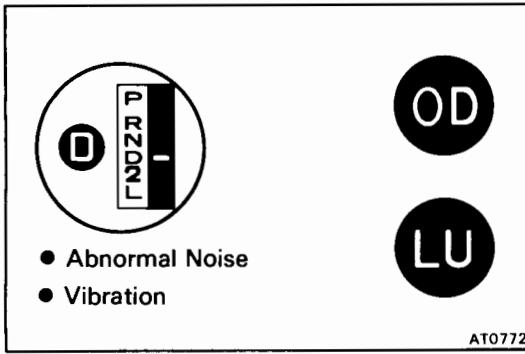
- (b) In the same manner, check the shock and the slip at 1 → 2, 2 → 3 and 3 → OD up-shifts.

**EVALUATION**

If the shock is severe:

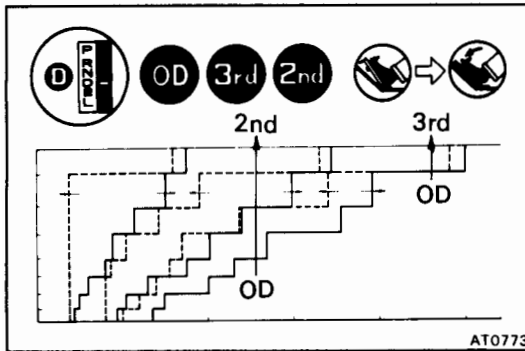
- Line pressure is too high
- Accumulator is defective
- Check ball is defective



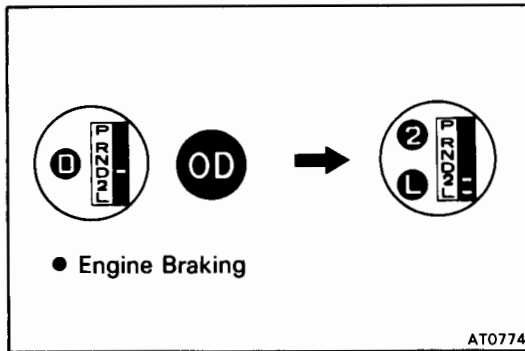


- (c) Run in the OD gear of the D range and with the lock-up in operation, and check for abnormal noise and vibration.

NOTE: Check for cause of abnormal noise and vibration must be made with extreme care as they could also be due to unbalance in the drive shaft, differential, tire, torque converter, etc. or insufficient bending rigidity, etc., in the power train.



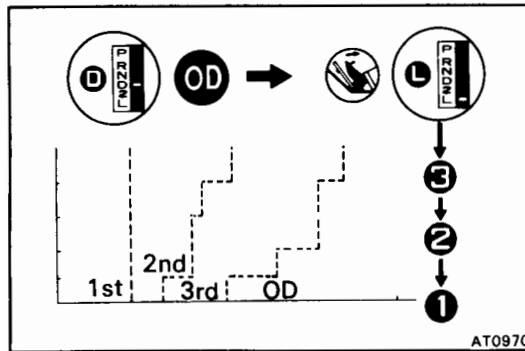
- (d) While running in the D range 2nd, 3rd gears and OD, check to see that the possible kick-down vehicle speed limits for 2 → 1, 3 → 2, OD → 3 and OD → 2 kick-downs conform to those indicated on the automatic shift diagram.



- (e) Check for abnormal shock and slip at kick-down.  
(f) While running about 80 km/h (50 mph) in the D range OD gear, shift into the 2 and L ranges and check the engine braking effect at each of these ranges.

**EVALUATION**

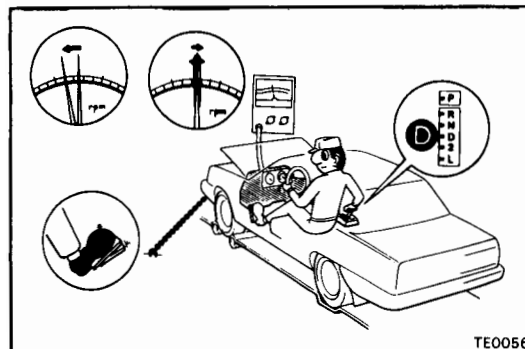
- (1) If there is no engine braking effect at the 2 range.  
3rd Gear  
Second brake is defective.  
2nd Gear  
Second brake and second coast brake are defective.
- (2) If there is no engine braking effect at the L range.  
2nd Gear  
Second brake and second coast brake are defective.  
1st Gear  
First and reverse brake are defective.

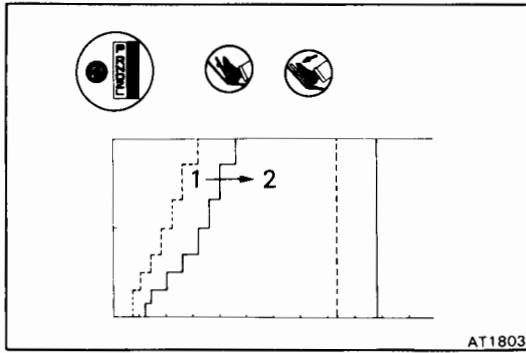


- (g) While running in the D range, release your foot from the accelerator pedal and shift into the L range. Then check to see if OD → 3, 3 → 2 and 2 → 1 down-shift points conform to those indicated on the automatic shift diagram.

**2. INSPECT LOCK-UP MECHANISM**

- (a) Connect a voltmeter to service connector terminals ECT and E<sub>1</sub>.  
(b) Select the normal pattern.  
(c) Drive at around 50 km/h (31 mph) to where 7, 5 or 3 volts appears on the voltmeter (this is the lock-up range).  
(d) Depress the accelerator pedal and read the tachometer. If there is a big jump in engine rpm there is no lock-up.





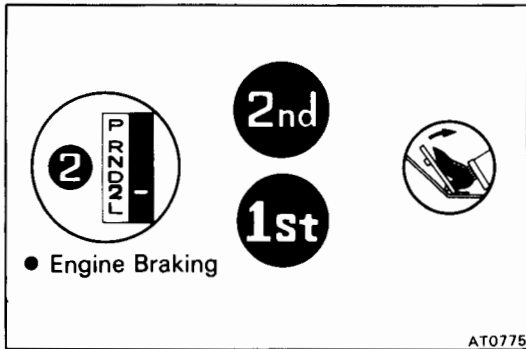
**3. 2 RANGE TEST**

Shift into the 2 range and while driving with the accelerator pedal held constant at specified point (throttle valve opening 50% and 100%), push in one of the pattern selectors, check on the following points.

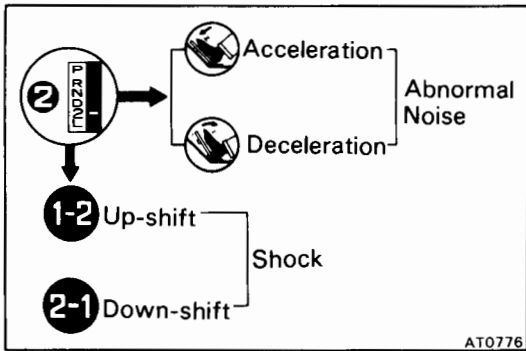
- (a) At each of the above throttle openings, check to see that 1 → 2, up-shift takes place and also that the shift points conform to those shown on the automatic shift diagram.

NOTE:

- To prevent overrun, the transmission shifts up into 3rd gear at around 130 km/h (81 mph).
- In range 2, there will be no lock-up to 2nd gear.
- (b) While running in the 2 range, 2nd gear, release the accelerator pedal and check the engine braking effect.



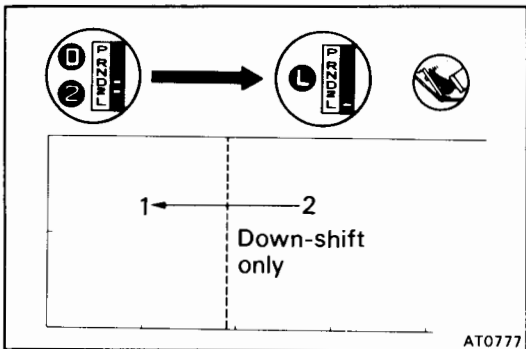
- (c) Check for abnormal noise at acceleration and deceleration, and for shock at up-shift and down-shift.



**4. L RANGE TEST**

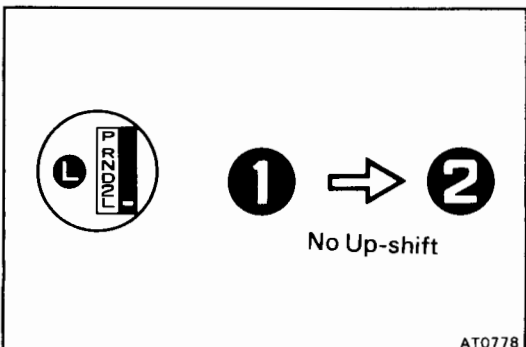
- (a) While running above 80 km/h (50 mph) in the D or 2 range, release your foot from the accelerator pedal and shift into L range.

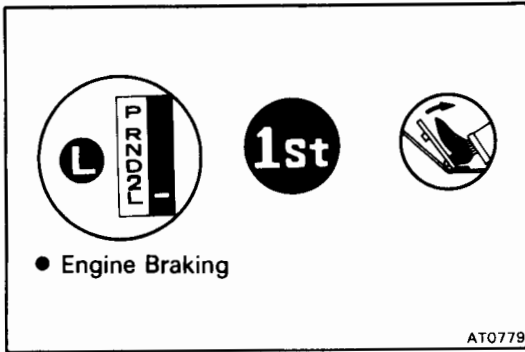
Then check to see that the 2 → 1 down-shift point conforms to 52 km/h (32 mph).



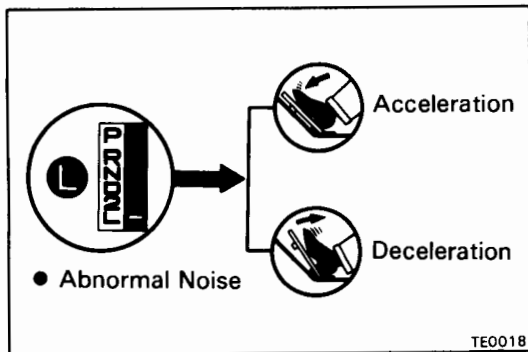
- (b) While running in the L range, check to see that there is no up-shift to 2nd gear.

NOTE: To prevent overrun, the transmission up-shifts into 2nd gear at around 75 km/h (47 mph).

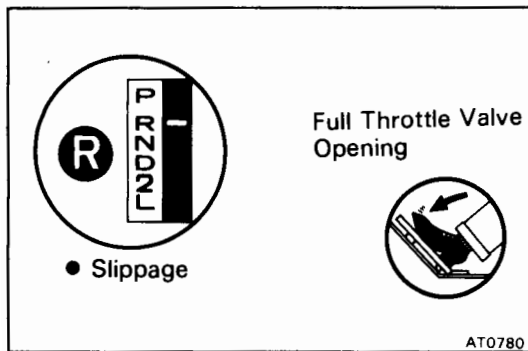




(c) While running in the L range, release the accelerator pedal and check the engine braking effect.

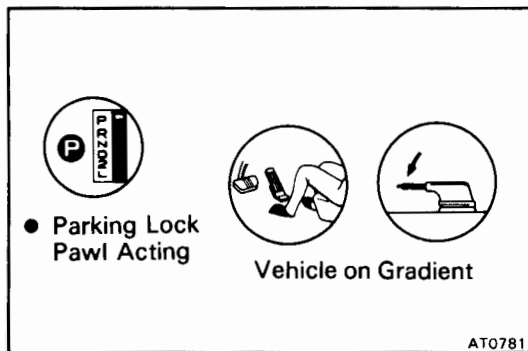


(d) Check for abnormal noise at acceleration and deceleration.



**5. R RANGE TEST**

Shift into the R range and, while starting at full throttle, check for slipping.

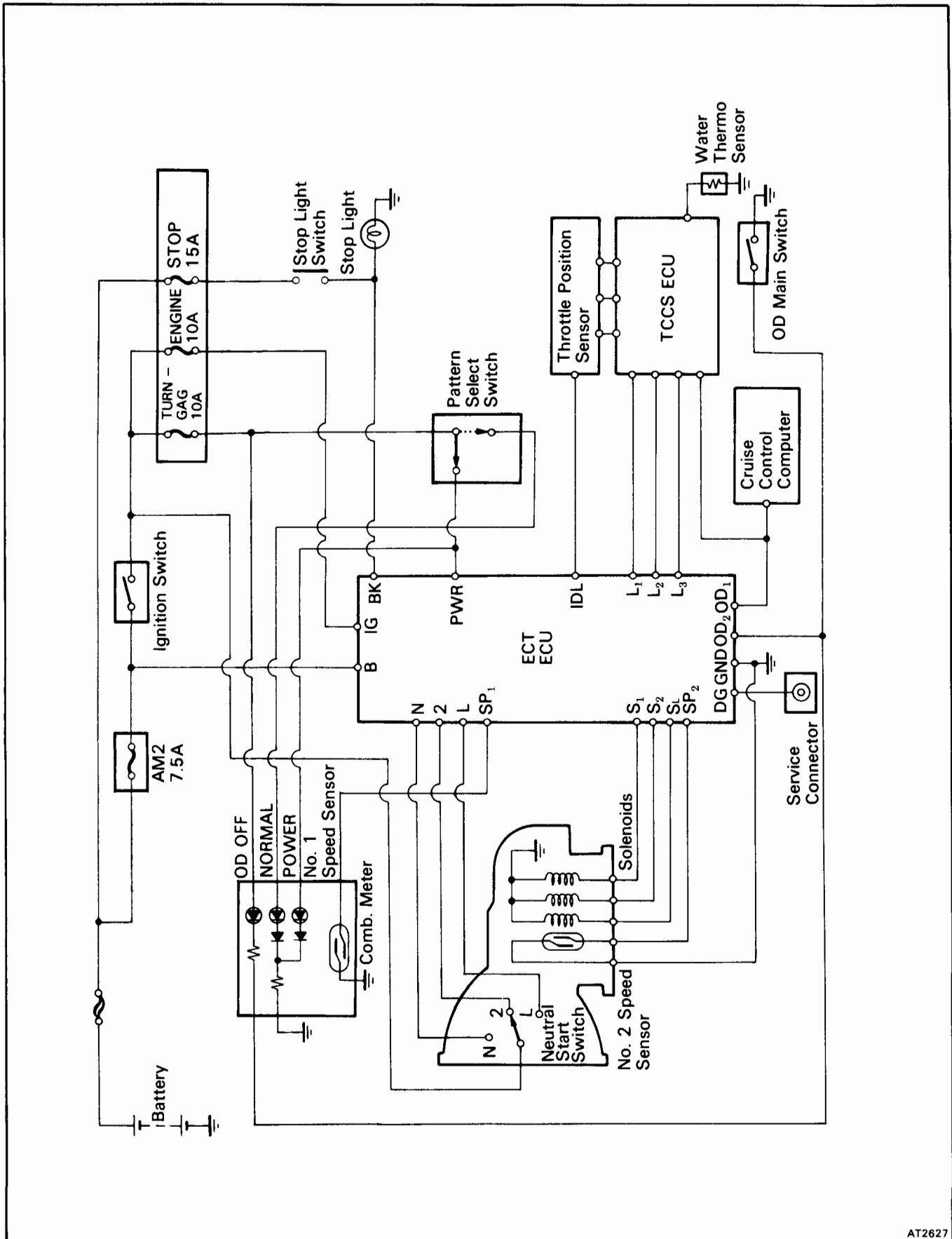


**6. P RANGE TEST**

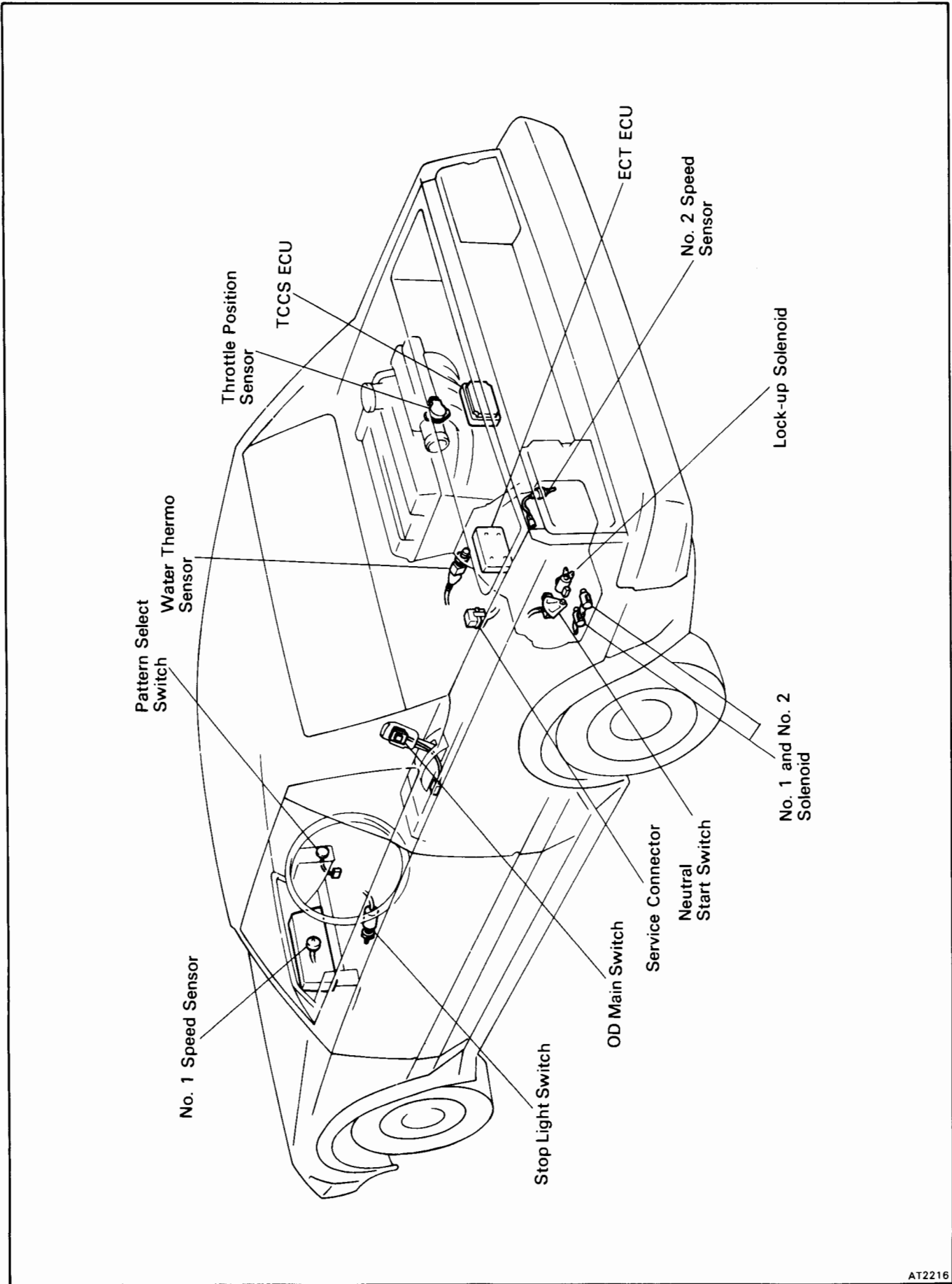
Stop the vehicle on a gradient (more than 5°) and after shifting into the P range, release the parking brake. Then check to see that the parking lock pawl holds the vehicle in place.

# Electronic Control System

## ELECTRONIC CONTROL CIRCUIT



### ELECTRONIC CONTROL COMPONENTS

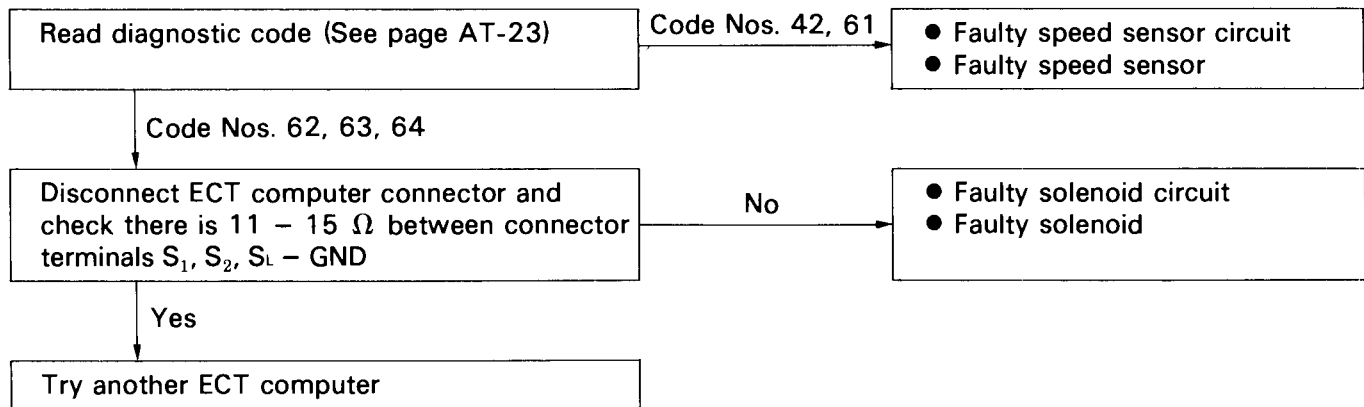


## TROUBLESHOOTING OF ELECTRONIC CONTROL SYSTEM

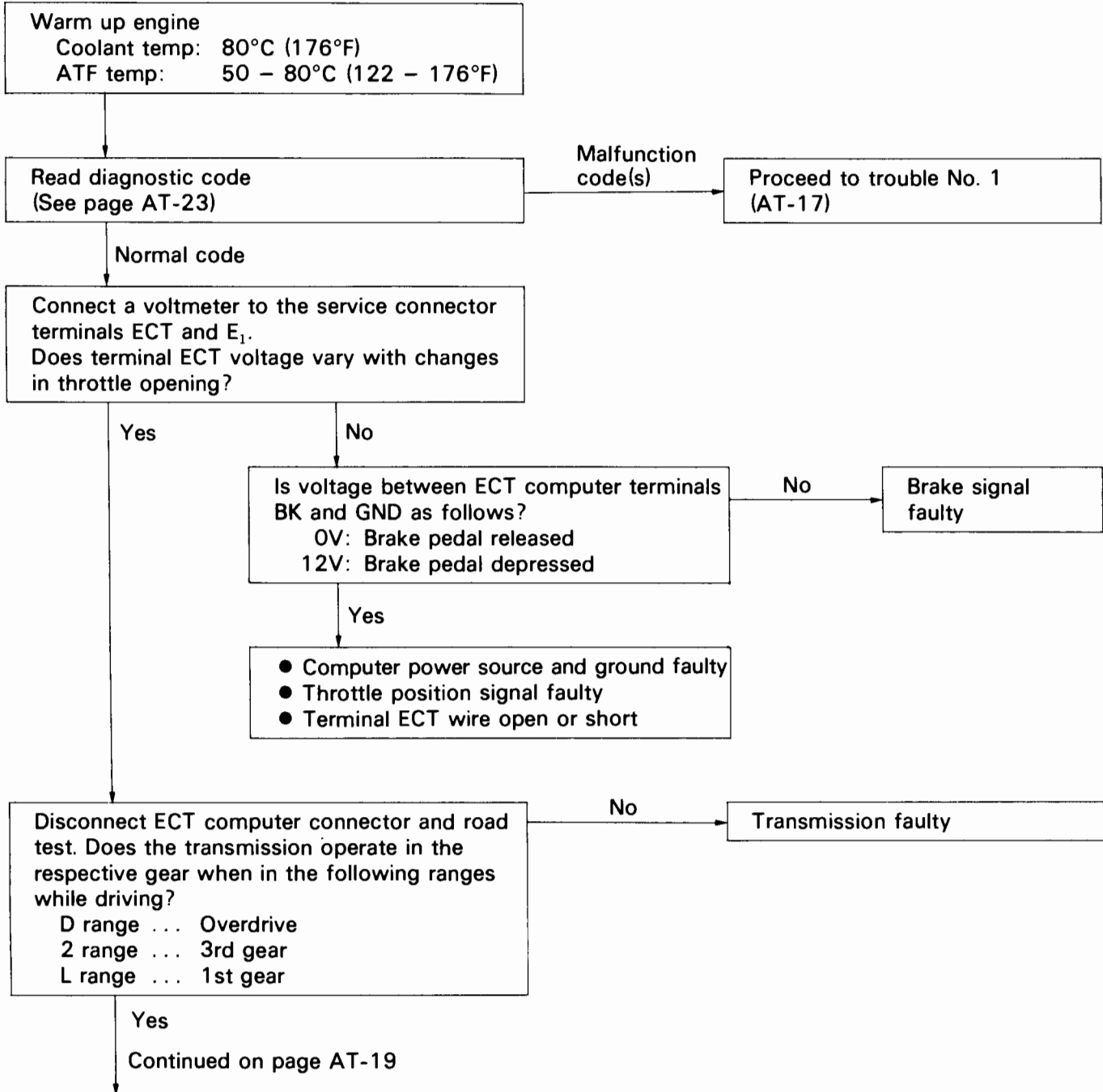
### NOTE:

- If diagnostic code Nos. 42, 61, 62 or 63 occur, the overdrive indicator light will begin to blink immediately to warn the driver. However, an impact or shock may cause the blinking to stop; but, the code will still be retained in the ECT computer memory until canceled out.
- There is no warning for diagnostic code No. 64.
- In the event of a simultaneous malfunction of both No. 1 and No. 2 speed sensors, no diagnostic code will appear and the fail-safe system will not function. However, when driving in the D range, the transmission will not up-shift from first gear, regardless of the vehicle speed.

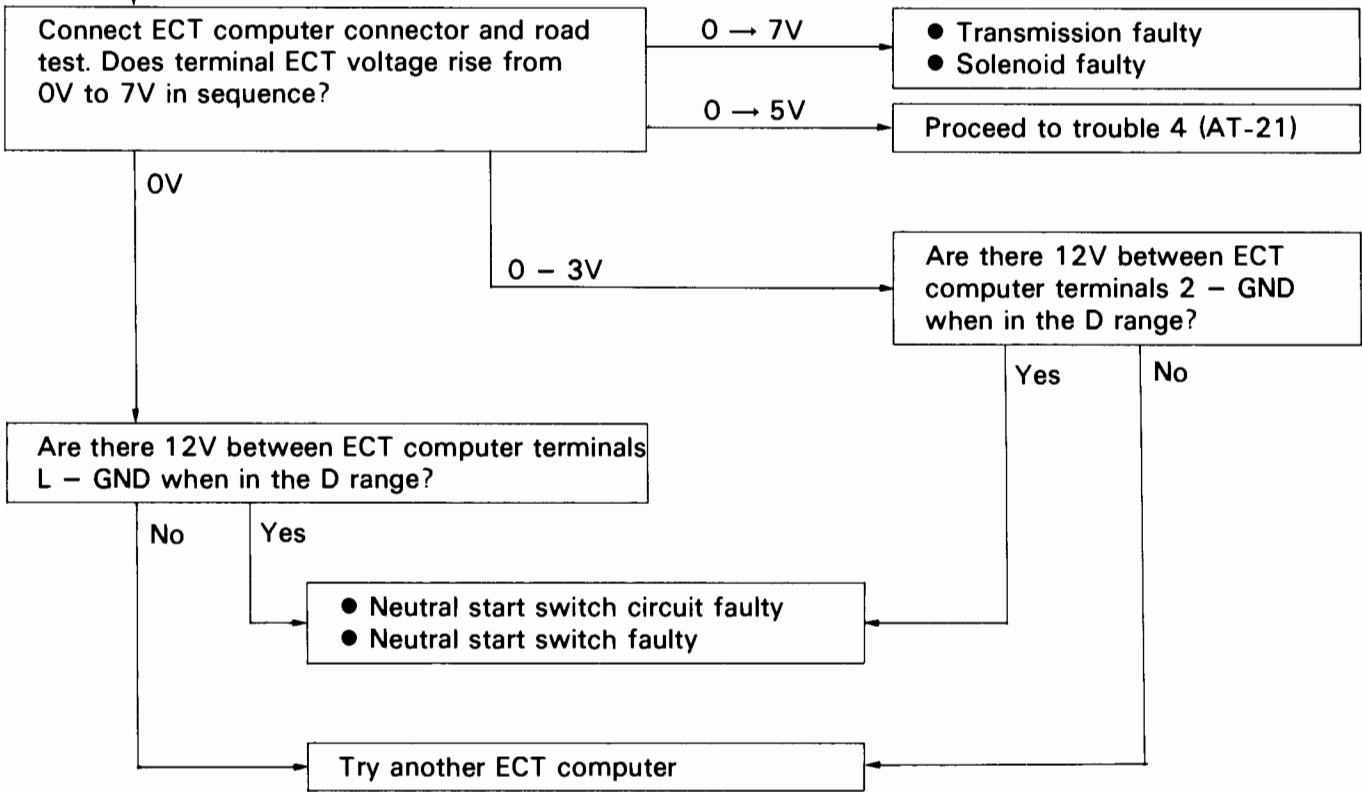
### Trouble No. 1    **Blinking overdrive indicator light (while driving)**



**Trouble No. 2 No shifting**

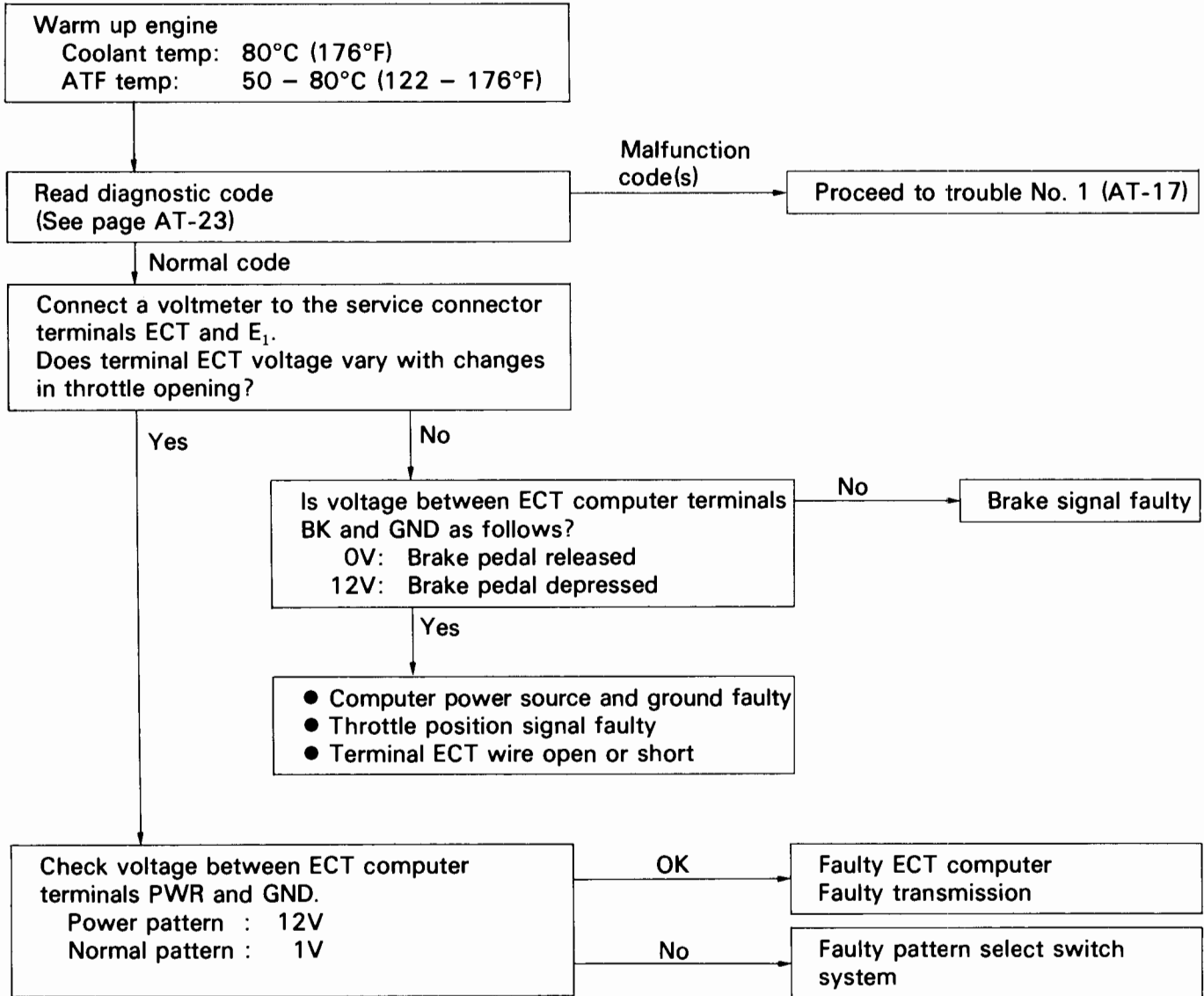


Continued from page AT-18

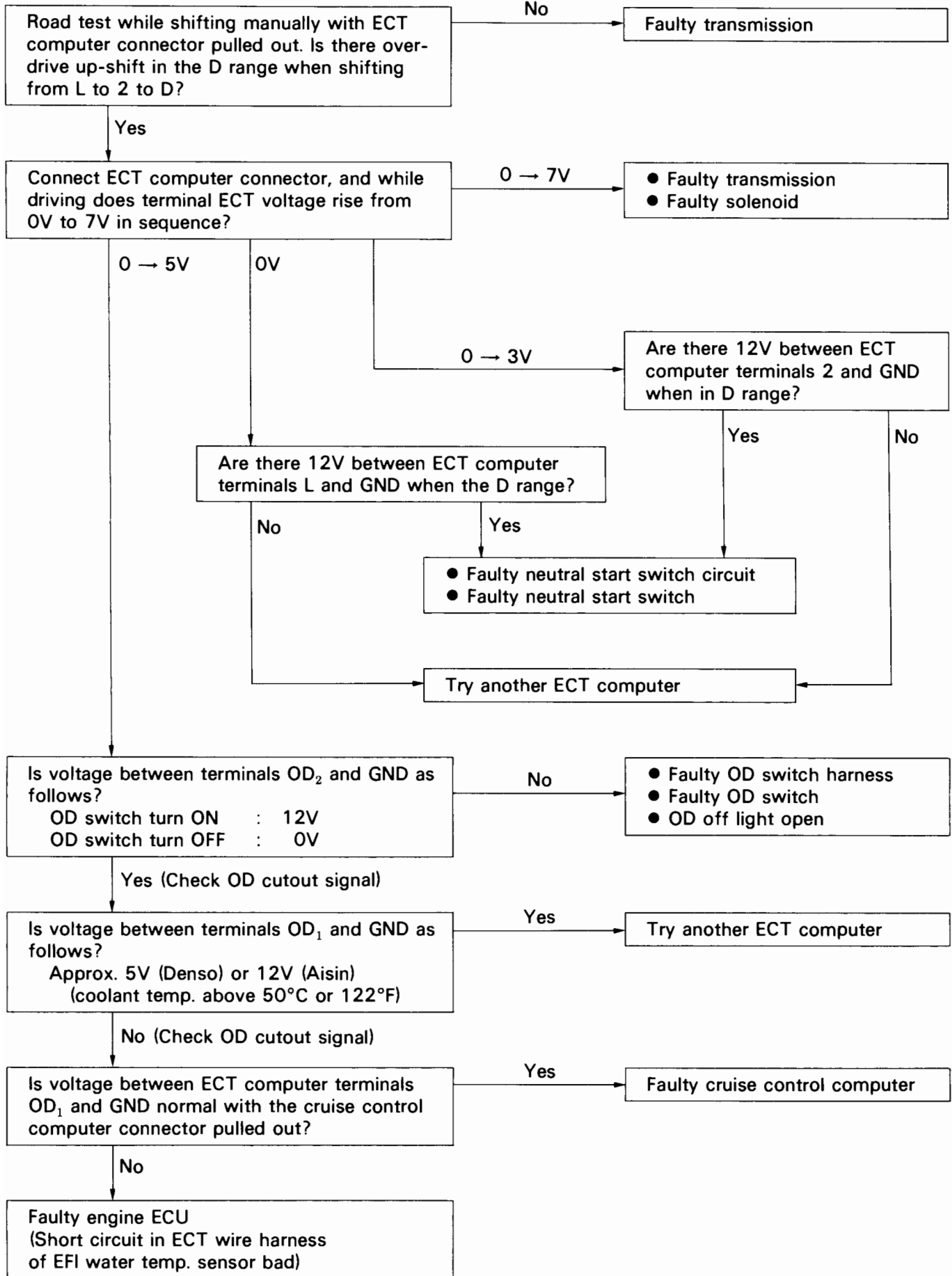


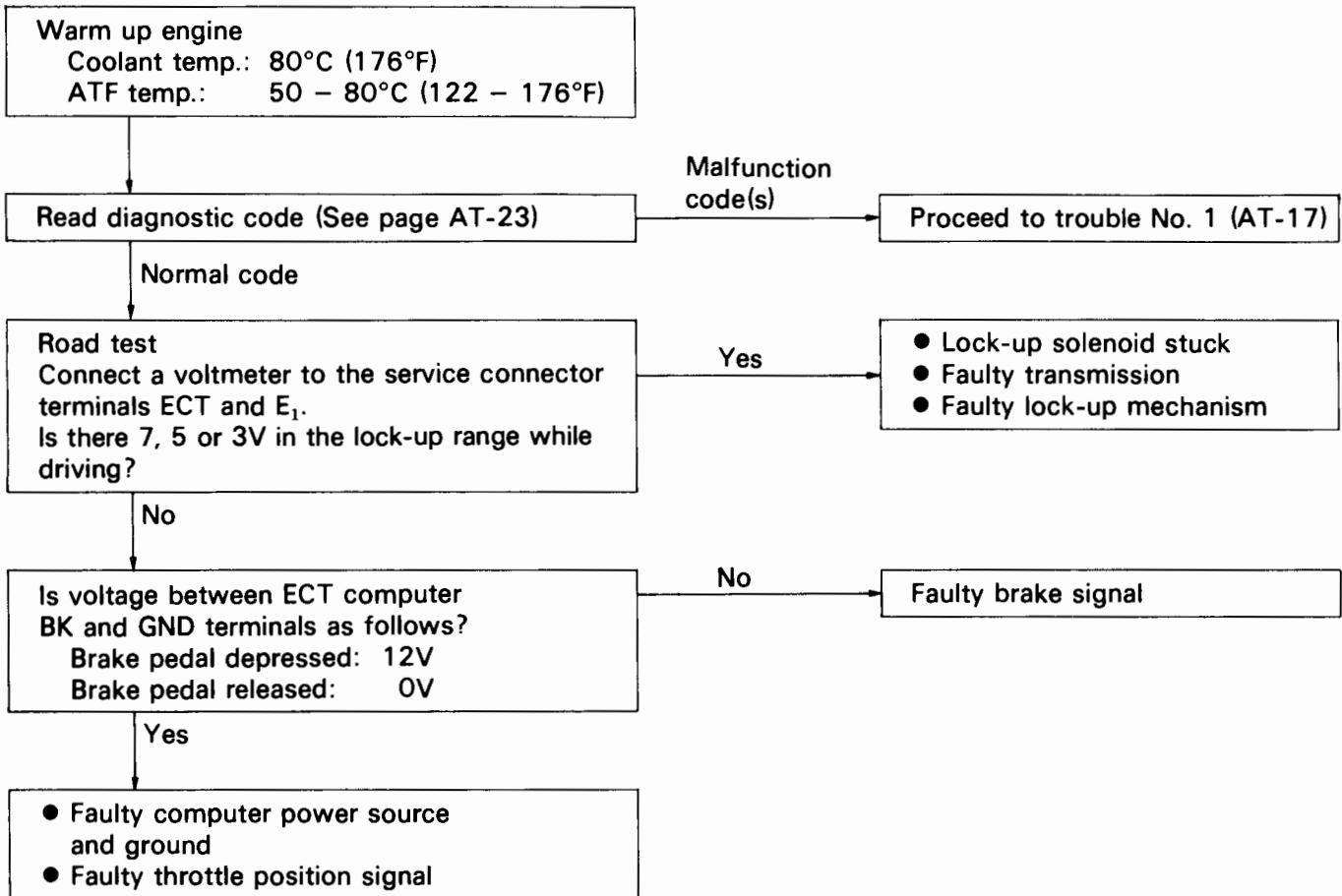


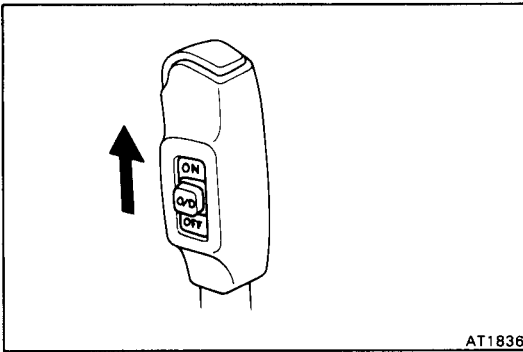
**Trouble No. 3 Shift point too high or too low**



**Trouble No. 4 No up-shift to overdrive (After warm-up)**



**Trouble No. 5 No lock-up (After warm-up)**


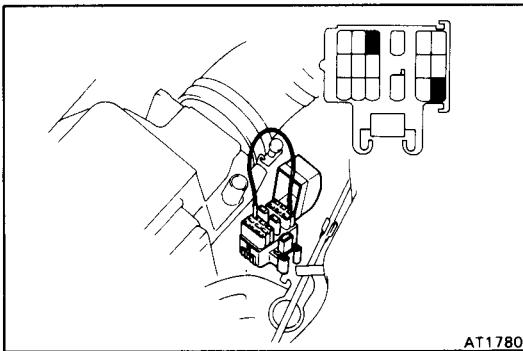


**READ OF DIAGNOSTIC CODE**

- 1. TURN IGNITION SWITCH AND OD SWITCH TO ON**

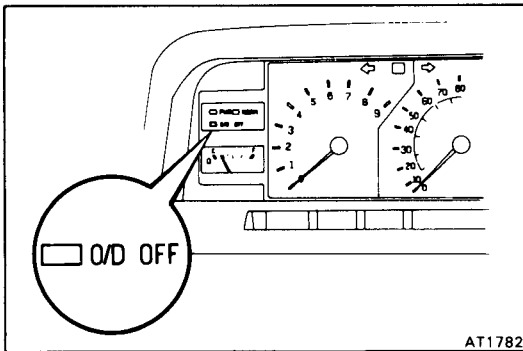
Do not start engine.

NOTE: Warning and diagnostic code can be read only when the overdrive switch is ON. If OFF the overdrive light will light continuously and will not blink.



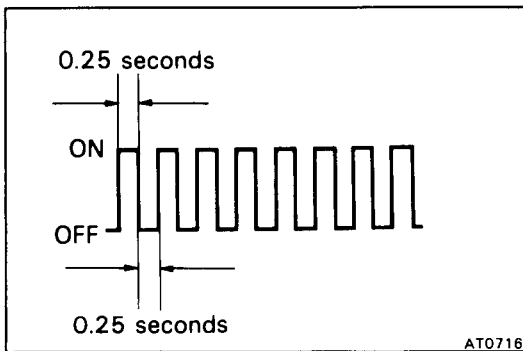
- 2. SHORT DG TERMINAL CIRCUIT**

Using a service wire, short the terminals ECT AND E<sub>1</sub>.



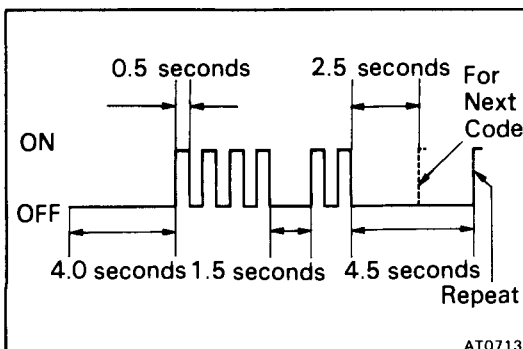
- 3. READ DIAGNOSTIC CODE**

Read the diagnostic code as indicated by the number of times the OD "OFF" light flashes.



- 4. DIAGNOSTIC CODE**

(a) If the system is operating normally, the light will blink for 0.25 seconds every 0.5 seconds.








(b) In the event of a malfunction, the light will blink for 0.5 seconds every 1.0 seconds. The number of blinks will equal the first number and, after 1.5 second pause, the second number of the two digit diagnostic code. If there are two or more codes, there will be a 2.5 second pause between each.

NOTE: In the event of several trouble codes occurring simultaneously, indication will begin from the smaller value and continue to the larger.

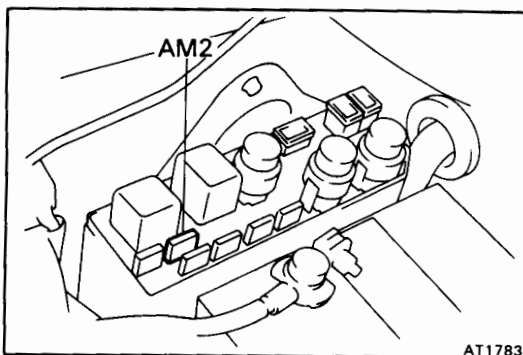
(c) Remove the service wire from the DG terminal.

### Diagnostic Code

Code No.	Light Pattern	Diagnosis System
42		Defective No. 1 speed sensor (in combination meter) – severed wire harness or short circuit
61		Defective No. 2 speed sensor (in ATM) – severed wire harness or short circuit
62		Severed No. 1 solenoid or short circuit – severed wire harness or short circuit
63		Severed No. 2 solenoid or short circuit – severed wire harness or short circuit
64		Severed lock-up solenoid or short circuit – severed wire harness or short circuit

NOTE: If codes 62, 63 and 64 appear, there is an electrical malfunction in the solenoid.

Causes due to mechanical failure, such as a stuck switch, will not appear.

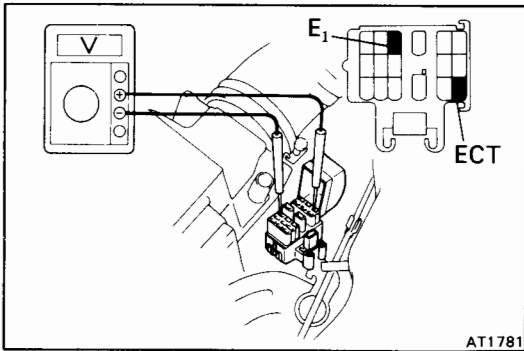


### CANCEL OUT DIAGNOSTIC CODE

1. After repair of the trouble area, the diagnostic code retained in memory by the ECT computer must be canceled by removing the fuse AM2 (7.5A) for 10 seconds or more, depending on ambient temperature (the lower the temperature, the longer the fuse must be left out) with the ignition switch off.

#### NOTE:

- Cancellation can also be done by removing the battery negative (–) terminal, but in this case other memory system (clock, radio ETR, etc.) will also be cancelled out.
  - The diagnostic code can also be cancelled out by disconnecting the ECT computer connector.
  - If the diagnostic code is not cancelled out, it will be retained by the ECT computer and appear along with a new code in event of future trouble.
2. After cancellation, perform a road test to confirm that a "normal code" is now read on the OD "OFF" light.



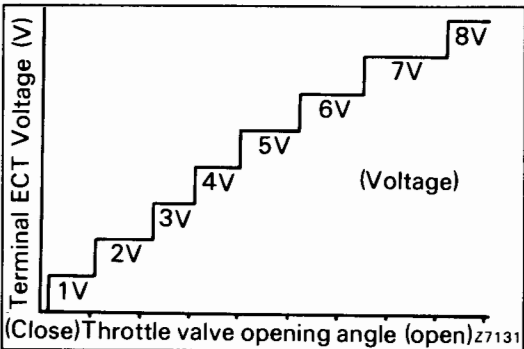
### INSPECT TERMINAL ECT VOLTAGE

#### 1. INSPECT THROTTLE POSITION SENSOR SIGNAL

- (a) Turn the ignition switch to ON. Do not start the engine.
- (b) Connect a voltmeter to the terminals ECT and E<sub>1</sub> of the service connector.

- (c) While slowly depressing the accelerator pedal, check that terminal ECT voltage rises in sequence.

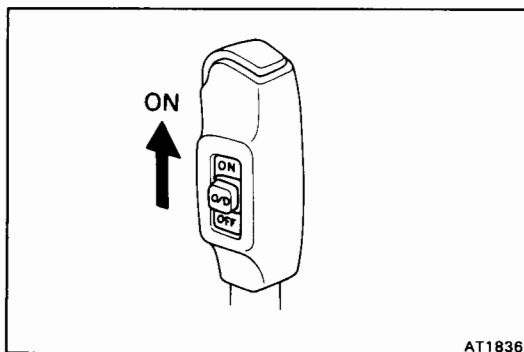
If the voltage is in proportion to the throttle opening angle and does not change, there is a malfunction with the throttle position sensor or circuit.



#### 2. INSPECT BRAKE SIGNAL

- (a) Depress the accelerator pedal until the terminal ECT indicates 8V.
- (b) Depress the brake pedal and check the voltage reading from the terminal ECT.
  - Brake pedal depressed ..... 0V
  - Brake pedal released ..... 8V

If not as indicated, there is a malfunction in either the stop light switch or circuit.

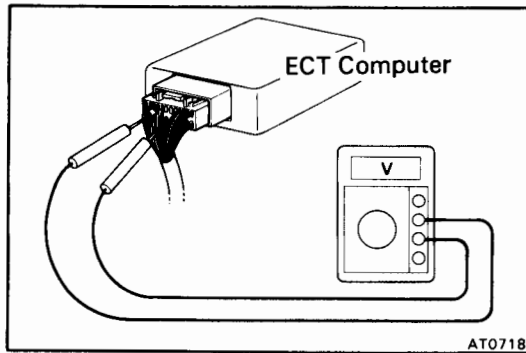


#### 3. INSPECT EACH UP SHIFT POSITION

- (a) Warm up the engine.
  - Coolant temperature: 80°C (176°F)**
- (b) Turn the OD switch to "ON".
- (c) Place the pattern select switch in "Normal" and the shift selector into the D range.
- (d) During a road test (above 10 km/h or 6 mph) check that voltage at the terminal ECT is as indicated below for each up-shift position.
- (e) If the voltage rises from 0V to 7V in the sequence shown, the control system is okay.
- (f) The voltage could rise anywhere between 0V – 8V before the vehicle reaches 10 km/h (6 mph), the voltmeter indicates the current gear.

NOTE: Determine the gear position by a light shock or change in engine rpm when shifting.

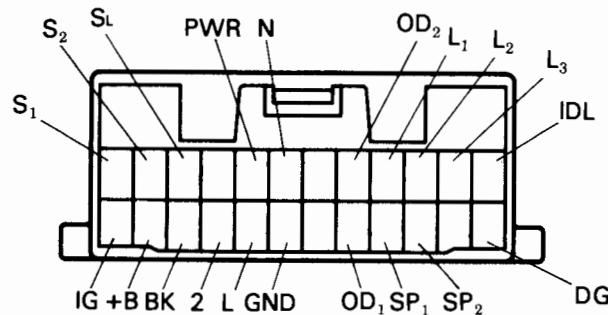
Terminal ECT (V)	Gear position
0	1st
2	2nd
3	2nd Lock-up
4	3rd
5	3rd Lock-up
6	OD
7	OD Lock-up



## INSPECTION ELECTRONIC CONTROL COMPONENTS

### 1. INSPECT VOLTAGE OF ECT COMPUTER CONNECTOR

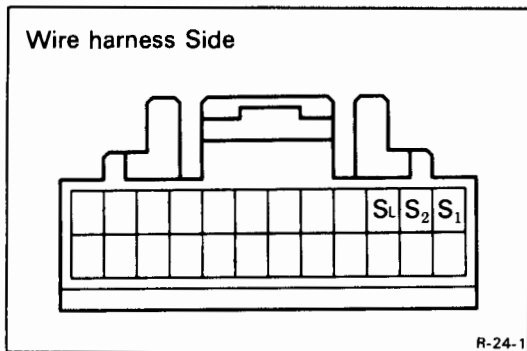
- (a) Remove the luggage compartment panel.
- (b) Turn on the ignition switch.
- (c) Measure the voltage at each terminal.



R-24-2

Terminal	Measuring condition	Voltage (V)	
		DENSO type computer	AISIN type computer
L <sub>1</sub> - GND	Throttle valve fully closed	5	12
	Throttle valve fully closed to fully open	5 to 0	12 to 0
	Throttle valve fully open	0	—
L <sub>2</sub> - GND	Throttle valve fully closed	5	12
	Throttle valve fully closed to fully open	5 to 0 to 5	12 to 0 to 12
	Throttle valve fully open	5	12
L <sub>3</sub> - GND	Throttle valve fully closed	5	12
	Throttle valve fully closed to fully open	5 to 0 to 5 to 0 to 5	12 to 0 to 12 to 0 to 12
	Throttle valve fully open	5	12
IDL - GND	Throttle valve fully closed	0	—
	Throttle valve opening above 1.5°	12	—
SP <sub>1</sub> - GND	Standing still (Cruise control OFF)	5 or 0	12 or 0
	Vehicle moving (Cruise control OFF)	2.5	6
BR - GND	When brake pedal is depressed	12	—
	When brake pedal is not depressed	0	—
2 - GND	2 range	10 - 16	—
	Except 2 range	0 - 2	—
L - GND	L range	10 - 16	—
	Except L range	0 - 2	—
N - GND	N range	10 - 16	—
	Except N range	0 - 2	—

Terminal	Measuring condition	Voltage (V)	
		DENSO type computer	AISIN type computer
S <sub>1</sub> – GND	–	12	←
S <sub>2</sub> , S <sub>L</sub> – GND	–	0	←
OD <sub>1</sub> – GND	Coolant temp. below 50°C (122°F)	0	←
	Coolant temp. above 50°C (122°F)	5	12
OD <sub>2</sub> – GND	OD main switch turned ON	12	12
	OD main switch turned OFF	0	←
IG – GND	Ignition switch ON	12	←
SP <sub>2</sub> – GND	Standing still	5 or 0	←
	Vehicle moving	4	←
PWR – GND	PWR pattern	12	←
	NORM pattern	0 to 2	←
+B – GND	–	12	←



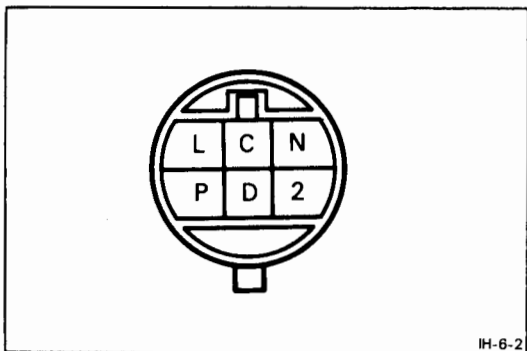
**2. INSPECT SOLENOID**

- (a) Disconnect the connector from the ECT computer.
- (b) Measure the resistance between S<sub>1</sub>, S<sub>2</sub>, S<sub>L</sub> and ground.

**STD: 11 – 15 Ω**

- (c) Apply battery voltage to the solenoid.  
Check that an operation noise can be heard from the solenoid.

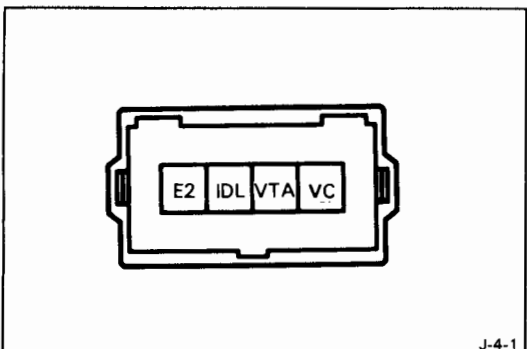
**NOTE:** If there is foreign matter in the solenoid valve, there will be no fluid control even with solenoid operation.



**3. INSPECT NEUTRAL START SWITCH**

Inspect that there is continuity between terminal L–C, 2–C and N–C.

Terminal / Shift Position	L	2	N	C
N range			○	○
2 range		○		○
L range	○			○

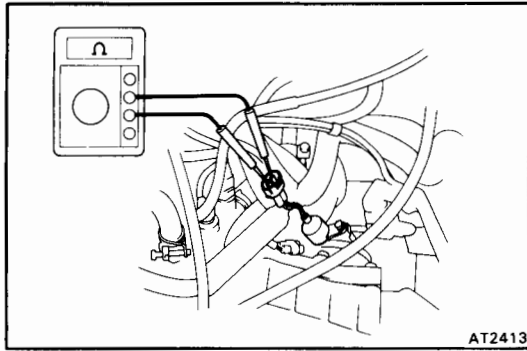


**4. INSPECT THROTTLE POSITION SENSOR**

Using an ohmmeter, check the resistance between each terminal.

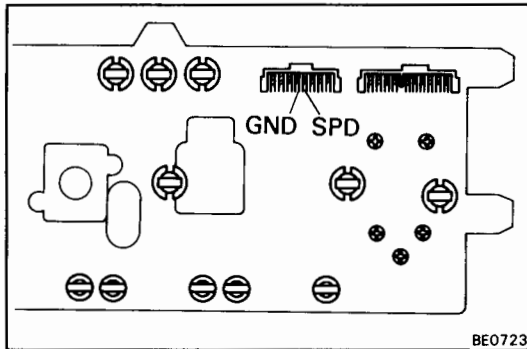
Terminal	Throttle valve condition	Resistance (kΩ)
IDL – E <sub>2</sub>	Fully closed	0 – 0.1
	Open	Infinity
Vc – E <sub>2</sub>	–	3 – 7
V <sub>TA</sub> – E <sub>2</sub>	Fully closed	0.2 – 0.8
	Fully open	3.3 – 10





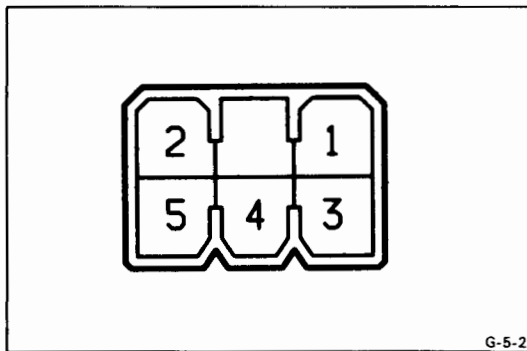
**5. INSPECT SPEED SENSOR IN ATM**

- (a) Jack up a rear wheel on one side.
- (b) Connect an ohmmeter between the terminals.
- (c) Spin the wheel and check that the meter needle deflects from 0 to  $\infty \Omega$ .



**6. INSPECT SPEED SENSOR IN COMBINATION METER**

- (a) Remove the combination meter.
- (b) Connect an ohmmeter between the terminals SPD and GND.
- (c) Revolve the meter shaft and check that the meter needle repeatedly deflects from 0 to  $\infty \Omega$ .

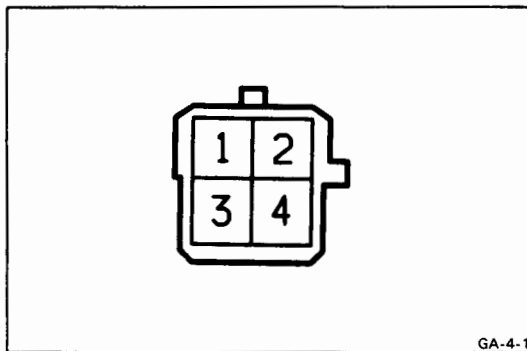


**7. INSPECT PATTERN SELECTION SWITCH**

Inspect that there is continuity between 5 and each terminal.

NOTE: As there are diodes inside, be careful of the tester probe polarity.

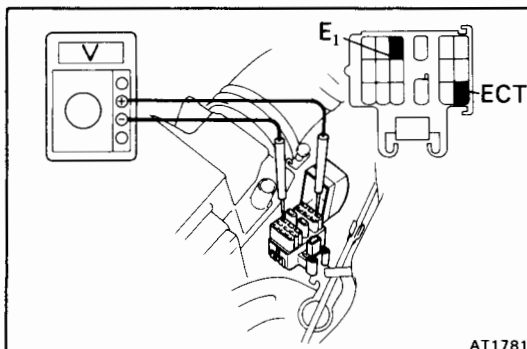
Terminal	5	4	3
Pattern			
NORM	○—○		
PWR	○		○



**8. INSPECT OD SWITCH**

Inspect that there is continuity between terminals 1 and 3.

Terminal	1	3
S/W position		
ON		
OFF	○	○



**9. INSPECT LOCK-UP MECHANISM**

- (a) Warm up the Coolant and ATF.
- (b) Connect a voltmeter to the service connector terminals ECT and E<sub>1</sub>.

- (c) Turn the OD switch ON.
- (d) Select the normal pattern.
- (e) Drive at around 50 km/h (31 mph) to where 7, 5 or 3 volts appears on the voltmeter (this is the lock-up range).
- (f) Depress the accelerator pedal and read the tachometer. If there is a big jump in engine rpm there is not lock-up.

#### **10. INSPECT BRAKE SIGNAL**

Check that the brake light comes on when the brake pedal is depressed.

# OPERATING MECHANISM FOR EACH GEAR

## 1. TRANSMISSION SYSTEM

○ ..... Operating

Shift lever position	Gear position	C <sub>1</sub>	C <sub>2</sub>	C <sub>3</sub>	B <sub>1</sub>	B <sub>2</sub>	B <sub>3</sub>	B <sub>4</sub>	F <sub>1</sub>	F <sub>2</sub>	F <sub>3</sub>
P	Parking							○			
R	Reverse		○				○	○			
N	Neutral							○			
D	1st	○						○		○	○
	2nd	○				○		○	○		○
	3rd	○	○			○		○			○
	OD	○	○	○		○					
2	1st	○						○		○	○
	2nd	○			○	○		○	○		○
	3rd	○	○			○		○			○
L	1st	○						○	○	○	○
	2nd	○			○	○		○	○		○

## 2. SOLENOID SYSTEM

Possible gear positions in accordance with solenoid operating conditions.

Range	NORMAL			NO. 1 SOLENOID MALFUNCTIONING			NO. 2 SOLENOID MALFUNCTIONING			BOTH SOLENOIDS MALFUNCTIONING		
	Solenoid valve		Gear Position	Solenoid valve		Gear Position	Solenoid valve		Gear Position	Solenoid valve		Gear Position
	No. 1	No. 2		No. 1	No. 2		No. 1	No. 2		No. 1	No. 2	
D range	ON	OFF	1st	x	ON (OFF)	3rd (OD)	ON	x	1st	x	x	OD
	ON	ON	2nd	x	ON	3rd	OFF (ON)	x	OD (1st)	x	x	OD
	OFF	ON	3rd	x	ON	3rd	OFF	x	OD	x	x	OD
	OFF	OFF	OD	x	OFF	OD	OFF	x	OD	x	x	OD
2 range	ON	OFF	1st	x	ON (OFF)	3rd (OD)	ON	x	1st	x	x	3rd
	ON	ON	2nd	x	ON	3rd	OFF (ON)	x	3rd (1st)	x	x	3rd
	OFF	ON	3rd	x	ON	3rd	OFF	x	3rd	x	x	3rd
L range	ON	OFF	1st	x	OFF	1st	ON	x	1st	x	x	1st
	ON	ON	2nd	x	ON	2nd	ON	x	1st	x	x	1st

( ): No fail safe function    x: Malfunctions

## AUTOMATIC SHIFT DIAGRAM (A240E/4A-GE)

		Throttle valve fully open [ ] Fully closed						km/h (mph)	
		1 → 2	2 → 3	3 → OD	[3 → OD]	[OD → 3]	OD → 3	3 → 2	2 → 1
D range	NORM	48 - 53 (30 - 33)	93 - 101 (58 - 63)	146 - 155 (91 - 96)	[31 - 35] (19 - 22)	[20 - 24] (12 - 15)	137 - 146 (85 - 91)	87 - 95 (54 - 59)	43 - 47 (27 - 29)
	PWR	60 - 65 (37 - 40)	109 - 117 (68 - 73)	177 - 187 (110 - 116)	[47 - 51] (29 - 32)	[20 - 24] (12 - 15)	169 - 178 (105 - 111)	103 - 111 (64 - 69)	43 - 47 (27 - 29)
2 range	NORM PWR	60 - 65 (37 - 40)	—	—	—	—	—	—	43 - 47 (27 - 29)
L range	NORM PWR	—	—	—	—	—	—	—	50 - 54 (31 - 34)

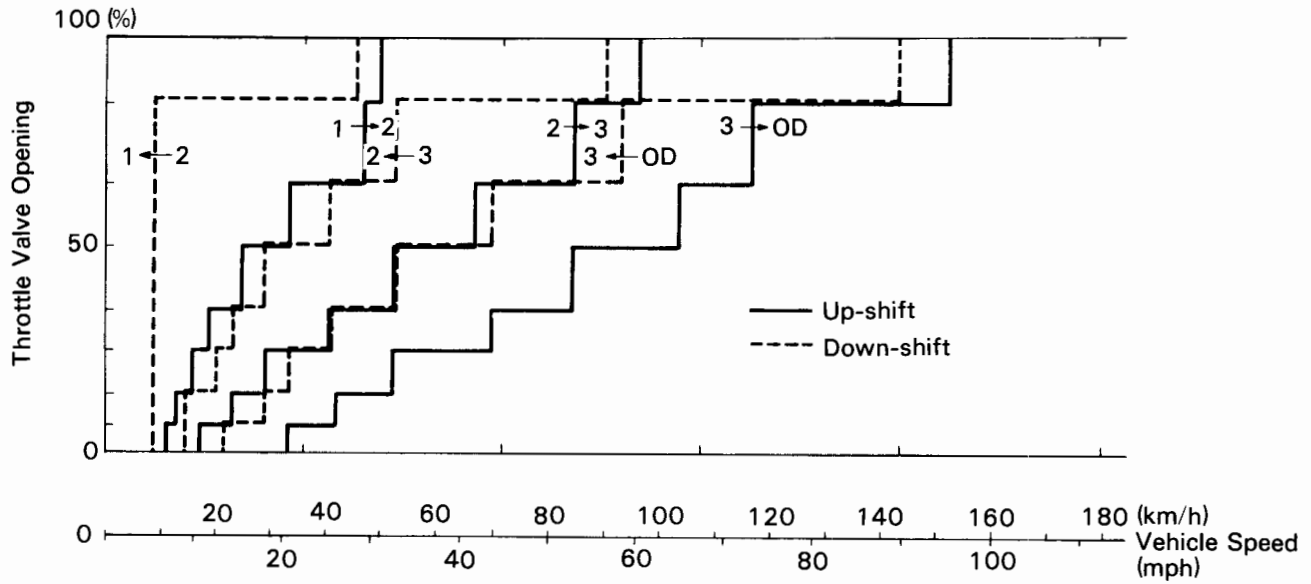
		Throttle valve opening 5% km/h (mph)					
		Lock-up ON			Lock-up OFF		
		2nd	3rd	OD	2nd	3rd	OD
D range	NORM	—	*64 - 69 (40 - 43)	67 - 72 (42 - 45)	—	*50 - 54 (31 - 34)	61 - 66 (38 - 41)
	PWR	—	*83 - 91 (52 - 57)	78 - 83 (48 - 52)	—	*73 - 78 (45 - 48)	66 - 70 (41 - 44)

\* O/D main switch OFF

NOTE:

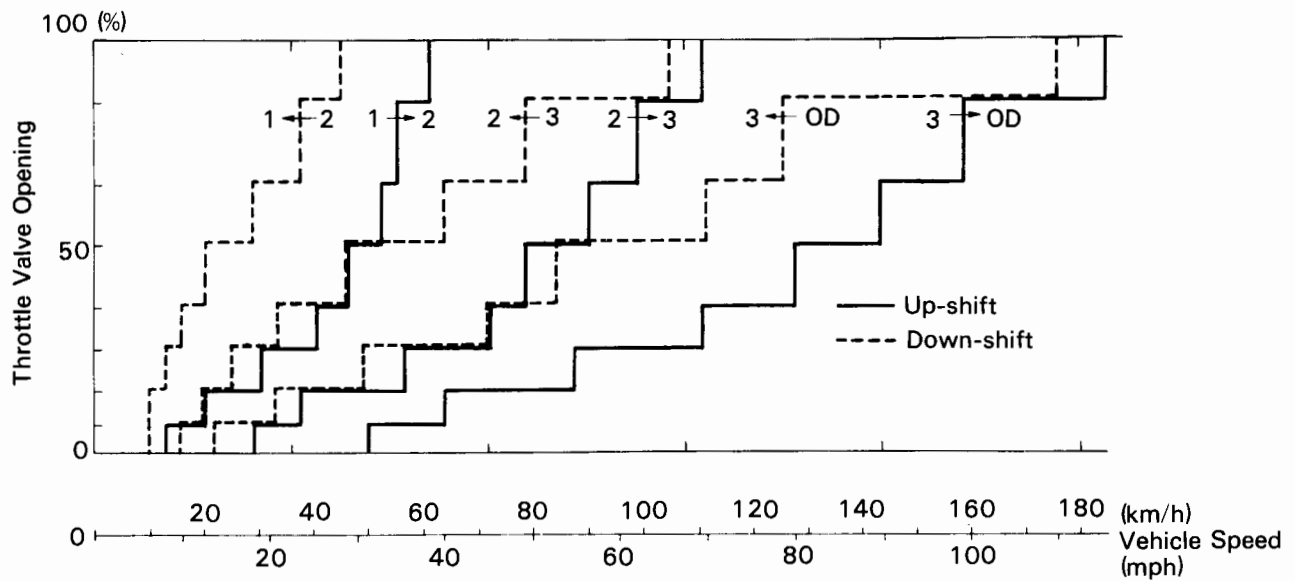
- (1) There is no lock-up in the 2 and L ranges.
- (2) In the following cases, the lock-up will be released regardless of the lock-up pattern.
  - When the throttle is completely closed.
  - When the brake light switch is ON.

**D range NORM pattern**



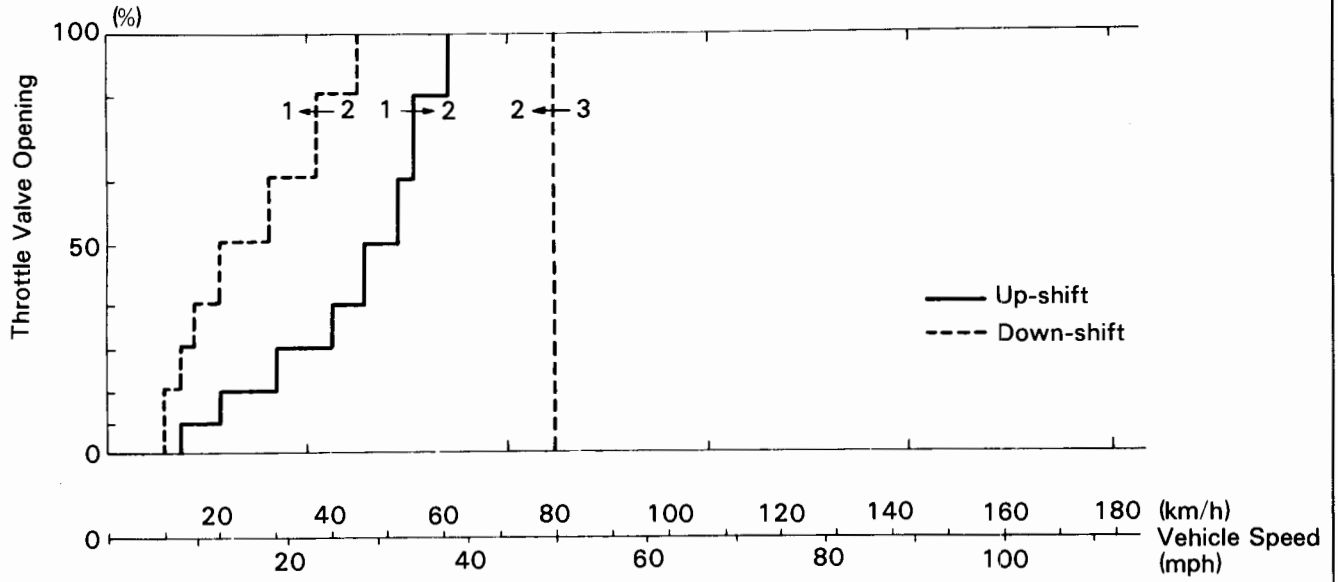
AT3091

**D range PWR pattern**



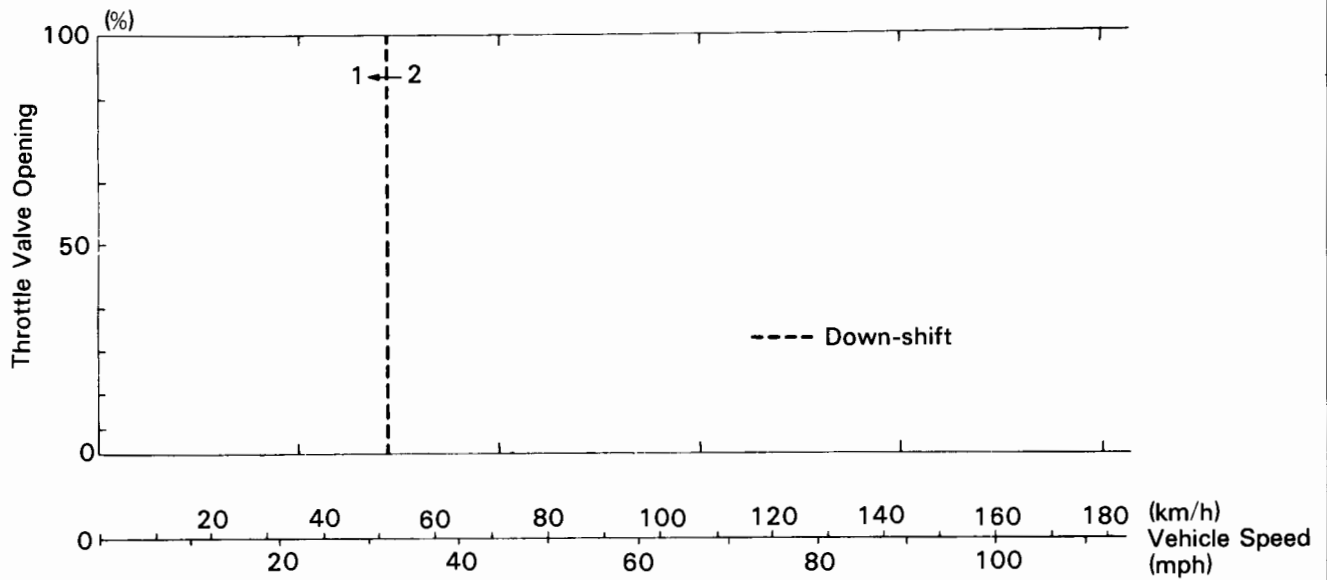
AT3092

**2 range NORM, PWR pattern**



AT3093

**L range NORM, PWR pattern**



AT3094

## AUTOMATIC SHIFT DIAGRAM (A241E/4A-GZE)

		Throttle valve fully open [ ] Fully closed						km/h (mph)	
		1 → 2	2 → 3	3 → OD	[3 → OD]	[OD → 3]	OD → 3	3 → 2	2 → 1
D range	NORM	46 - 50 (29 - 31)	88 - 96 (55 - 60)	132 - 140 (82 - 87)	[30 - 35] (19 - 22)	[19 - 23] (12 - 14)	126 - 134 (78 - 83)	82 - 90 (51 - 56)	42 - 46 (26 - 29)
	PWR	51 - 56 (32 - 35)	95 - 103 (59 - 64)	150 - 159 (93 - 99)	[40 - 46] (25 - 29)	[19 - 23] (12 - 14)	143 - 152 (89 - 94)	89 - 97 (55 - 60)	42 - 46 (26 - 29)
2 range	NORM PWR	51 - 56 (32 - 35)	—	—	—	—	—	—	42 - 46 (26 - 29)
L range	NORM PWR	—	—	—	—	—	—	—	46 - 50 (29 - 31)

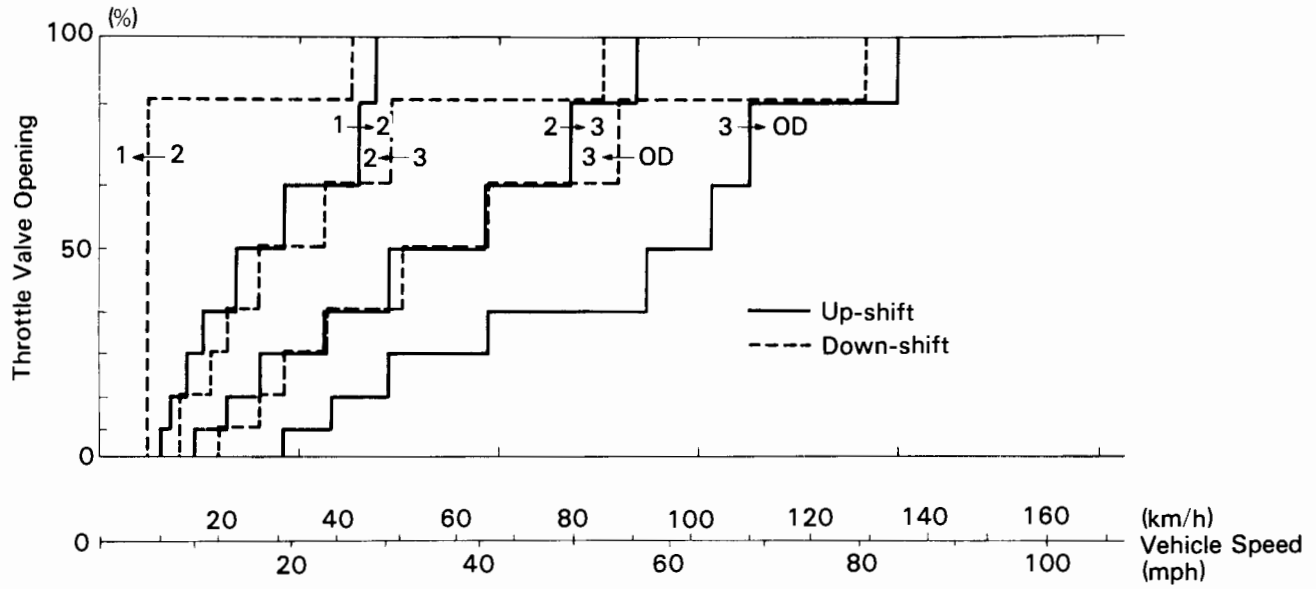
		Throttle valve opening 5% km/h (mph)					
		Lock-up ON			Lock-up OFF		
		2nd	3rd	OD	2nd	3rd	OD
D range	NORM	—	*66 - 70 (41 - 43)	54 - 59 (34 - 37)	—	*60 - 65 (37 - 40)	51 - 56 (32 - 35)
	PWR	—	*103 - 112 (64 - 70)	81 - 89 (50 - 55)	—	*95 - 103 (59 - 64)	77 - 82 (48 - 51)

\* O/D main switch OFF

### NOTE:

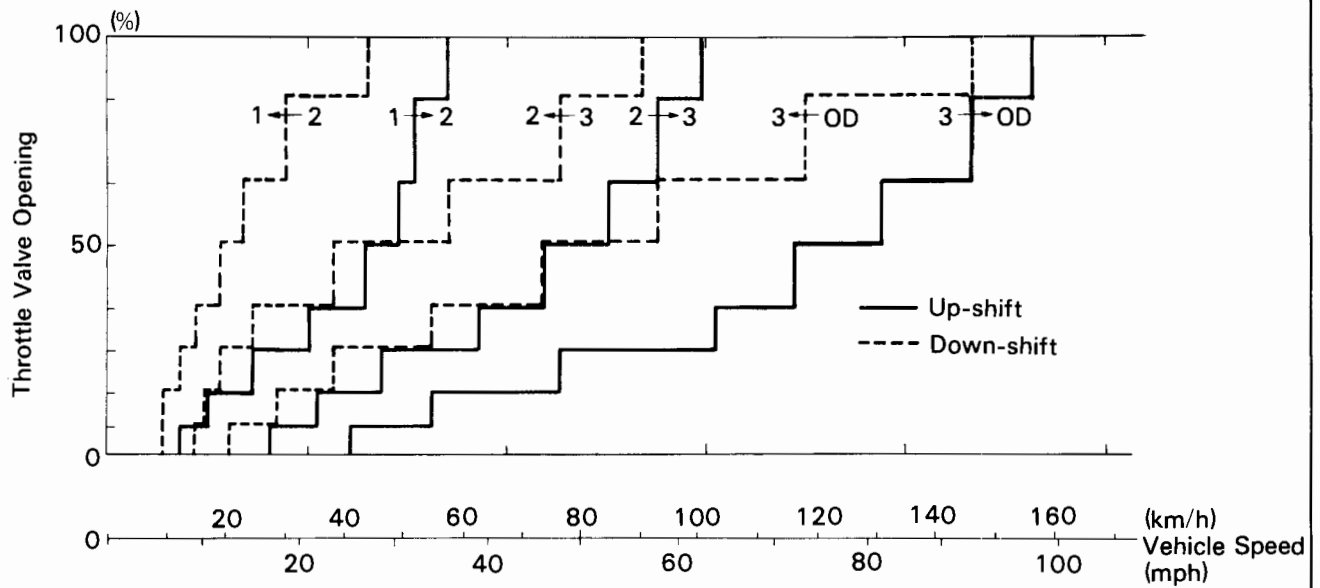
- (1) There is no lock-up in the 2 and L ranges.
- (2) In the following cases, the lock-up will be released regardless of the lock-up pattern.
  - When the throttle is completely closed.
  - When the brake light switch is ON.

**D range NORM pattern**



AT3095

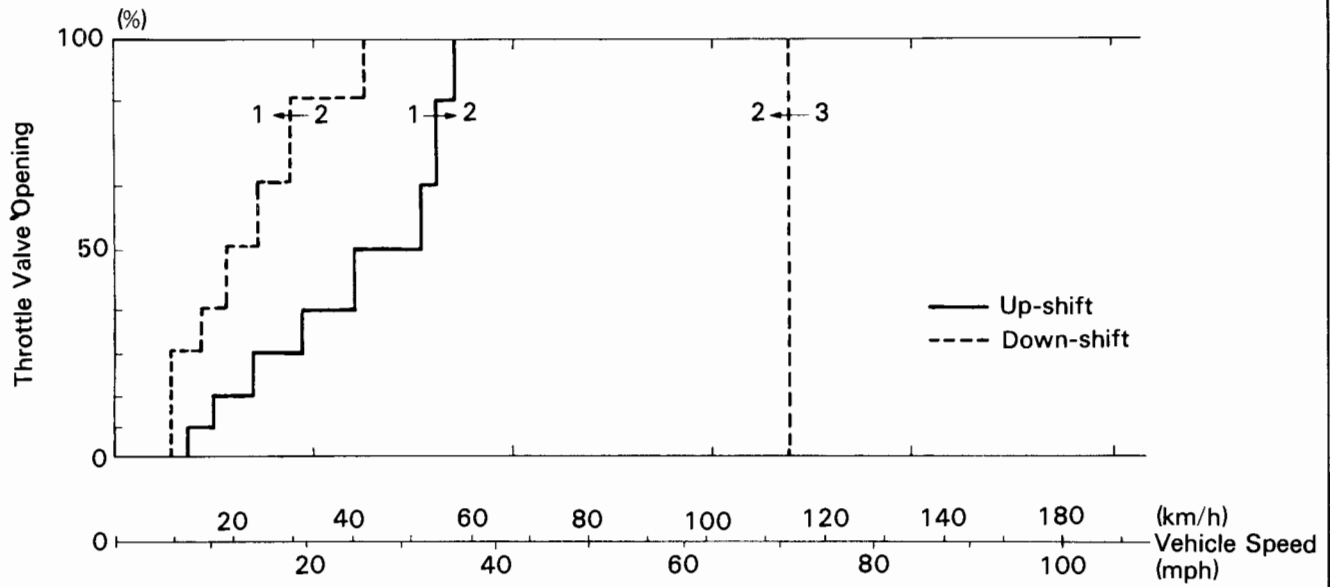
**D range PWR pattern**



AT3096

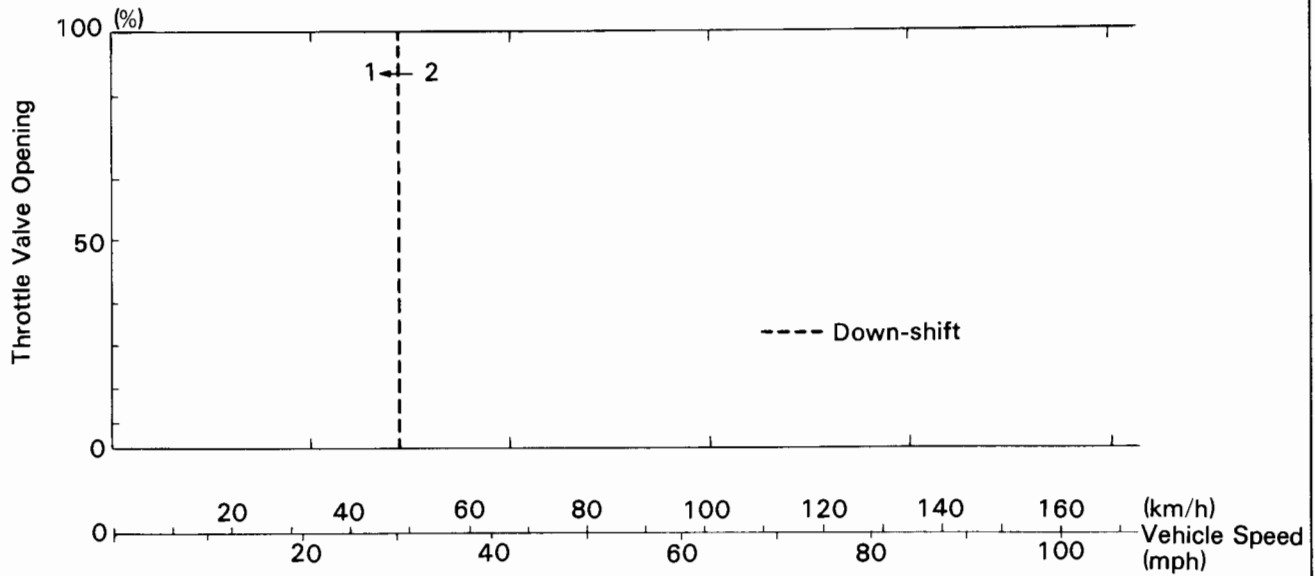


2 range NORM, PWR pattern

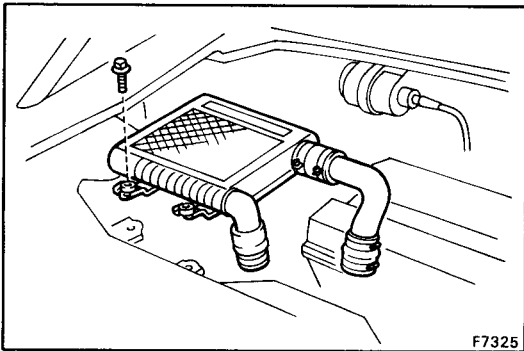


AT3097

L range NORM, PWR pattern



AT3098

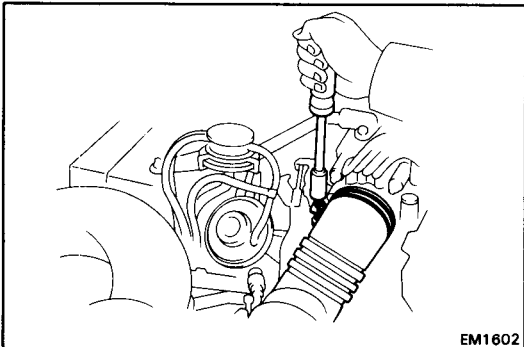


## ON-VEHICLE REPAIR

### REMOVAL OF SPEED SENSOR

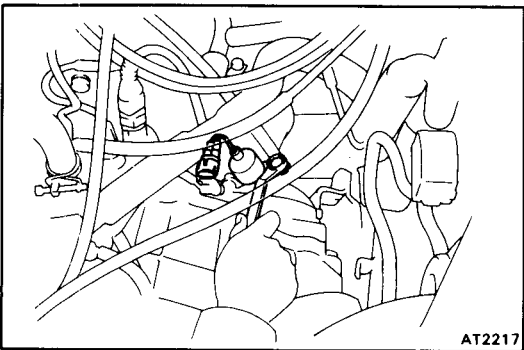
#### 1. (A241E/4A-GZE) REMOVE INTERCOOLER

Disconnect the two hose clamps, and remove the four bolts and intercooler.



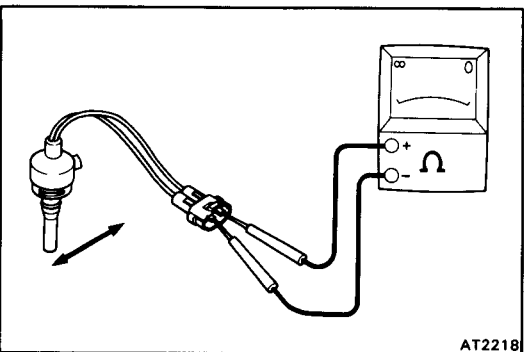
#### 2. REMOVE AIR FLOW METER AND AIR CLEANER HOSE

#### 3. DISCONNECT SPEED SENSOR CONNECTOR



#### 4. REMOVE RETAINING PLATE

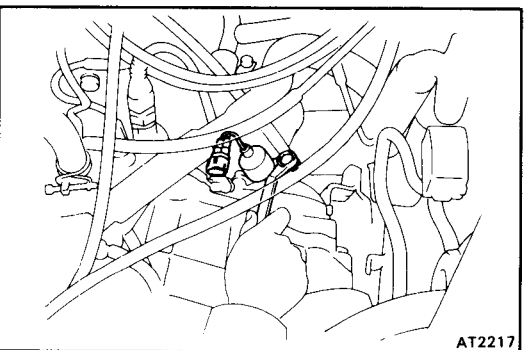
#### 5. REMOVE SPEED SENSOR AND O-RING



## INSPECTION OF SPEED SENSOR

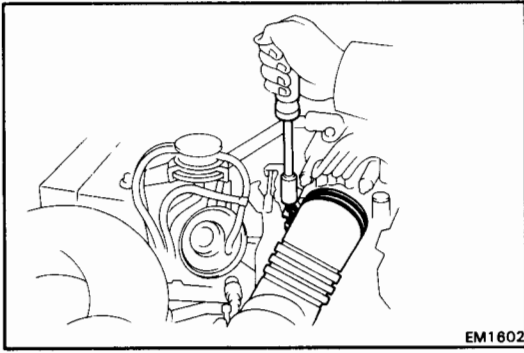
### INSPECT SPEED SENSOR

- Connect an ohmmeter between the terminals.
- Bring a magnet close to then away from the sensor tip and check that the meter needle deflects from  $0\Omega$  to  $\infty\Omega$ .



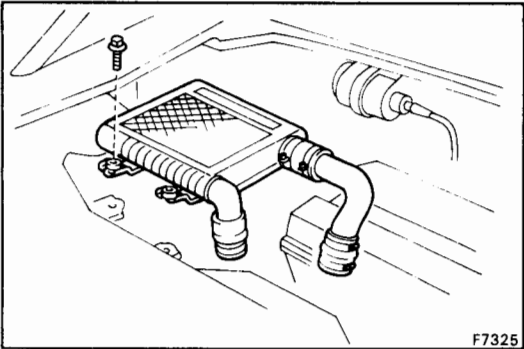
## INSTALLATION OF SPEED SENSOR

- INSTALL AND COAT NEW O-RING WITH ATF
- INSTALL SPEED SENSOR
- INSTALL RETAINING PLATE
- CONNECT SPEED SENSOR CONNECTOR



EM1802

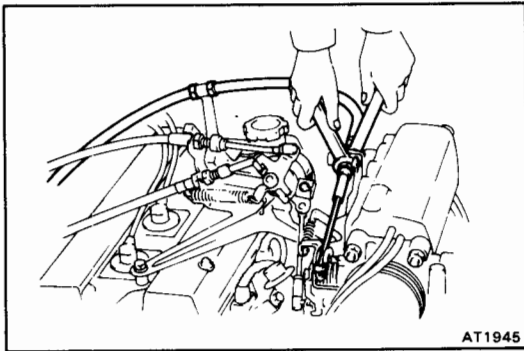
## 5. INSTALL AIR FLOW METER AND AIR CLEANER HOSE



F7325

## 6. (A241E/4A-GZE) INSTALL INTERCOOLER

Connect the two hose clamps, and install the four bolts and intercooler.

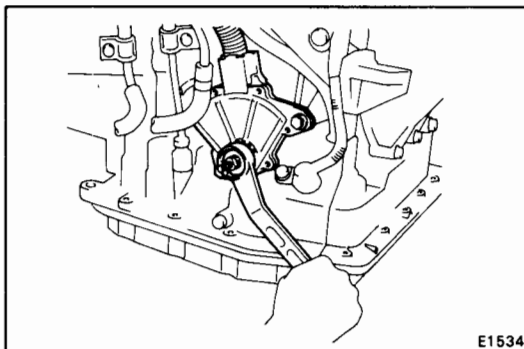


AT1945

## REMOVAL OF THROTTLE CABLE

### 1. DISCONNECT THROTTLE CABLE

- (a) Disconnect the cable housing from the bracket.
- (b) Disconnect the cable from the throttle linkage.
- (c) Disconnect the cable from the clamps.

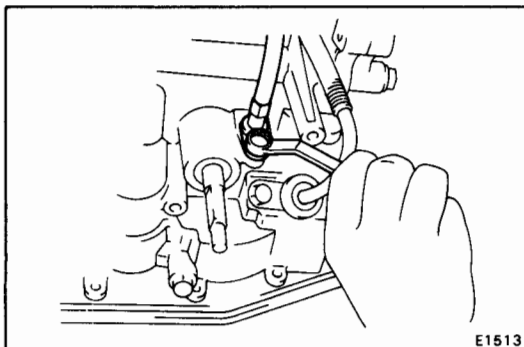


E1534

### 2. REMOVE NEUTRAL START SWITCH

- (a) Remove the clips, and disconnect the transmission control cable from manual shift lever.
- (b) Remove the manual shift lever.
- (c) Remove the neutral start switch.

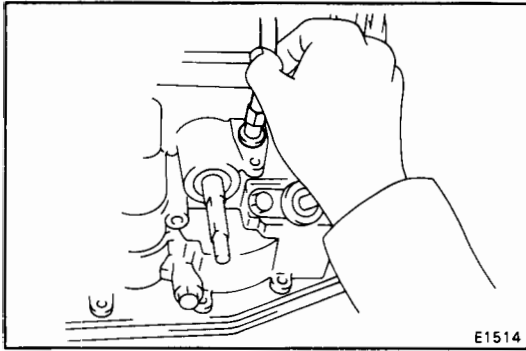
### 3. REMOVE VALVE BODY (See page AT-40)



E1513

### 4. PULL THROTTLE CABLE OUT OF TRANSMISSION CASE

- (a) Remove the bolt and retaining plate.
- (b) Pull the cable out of the transmission case.

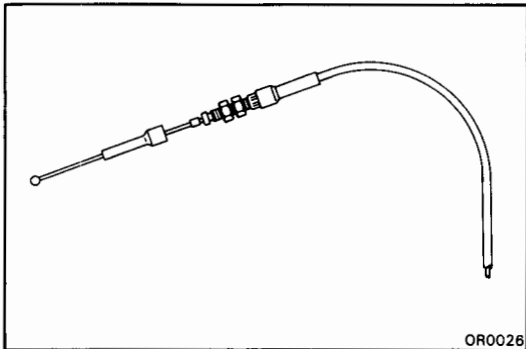


## INSTALLATION OF THROTTLE CABLE

### 1. INSTALL CABLE IN TRANSMISSION CASE

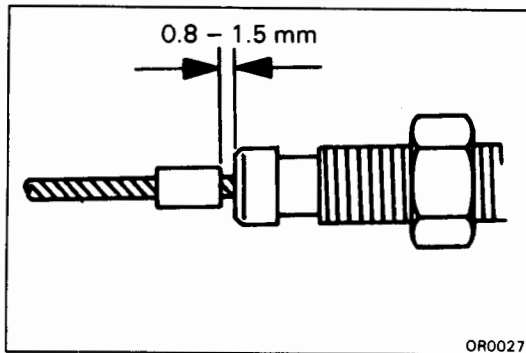
- (a) Be sure to push it in all the way.
- (b) Install the retaining plate and one bolt.

### 2. INSTALL VALVE BODY (See page AT-41)



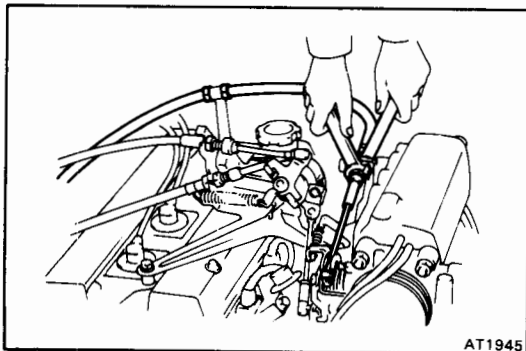
### 3. IF THROTTLE CABLE IS NEW, STAKE STOPPER TO INNER CABLE

- (a) Bend the cable so there is radius of about 200 mm (7.87 in.).



- (b) Pull the inner cable lightly until a slight resistance is felt, and hold it.

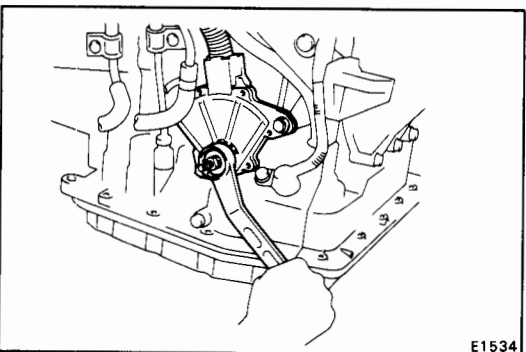
- (c) Stake the stopper 0.8 - 1.5 mm (0.031 - 0.059 in.) from the outer cable as shown.



### 4. CONNECT THROTTLE CABLE

- (a) Connect the cable to the throttle linkage.
- (b) Connect the cable housing to the bracket.
- (c) Connect the cable to the clamps.

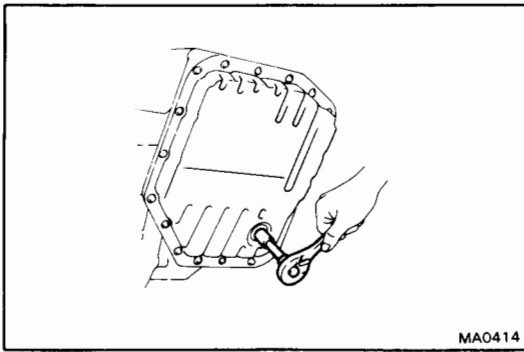
### 5. ADJUST THROTTLE CABLE (See page AT-6)



### 6. INSTALL NEUTRAL START SWITCH

- (a) Install the neutral start switch.
- (b) Install the manual shift lever.
- (c) Adjust the neutral start switch. (See page AT-6)
- (d) Connect the transmission control cable.

### 7. TEST DRIVE VEHICLE



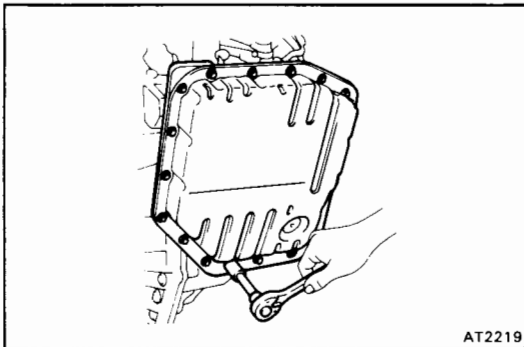
## REMOVAL OF VALVE BODY

### 1. CLEAN TRANSMISSION EXTERIOR

To help prevent contamination, clean the exterior of the transmission.

### 2. DRAIN TRANSMISSION FLUID

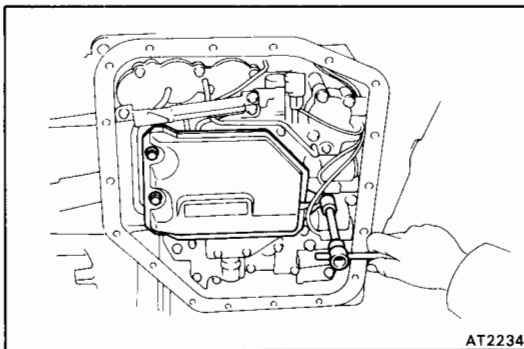
Remove the drain plug and drain the fluid into a suitable container.



### 3. REMOVE OIL PAN, AND GASKET

**CAUTION:** Some fluid will remain in the oil pan.

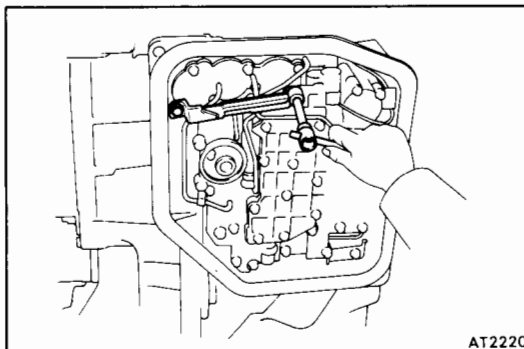
Remove all pan bolts, and carefully remove the pan assembly. Discard the gasket.



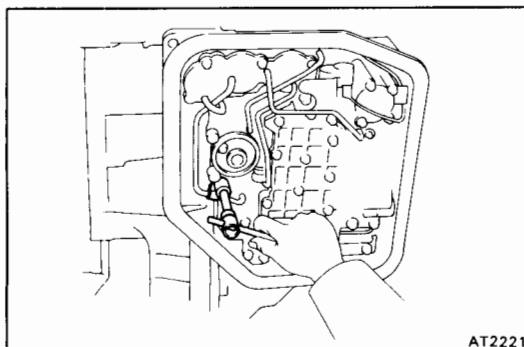
### 4. REMOVE OIL STRAINER

Remove the three bolts, and the oil strainer.

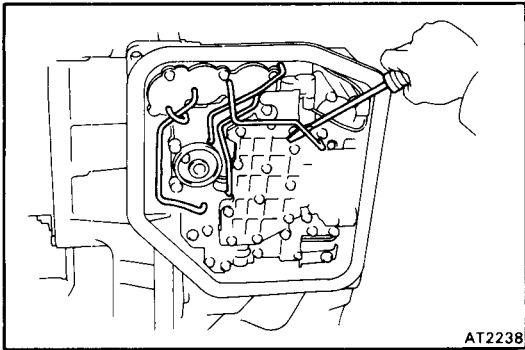
**CAUTION:** Be careful as some oil will come out with the filter.



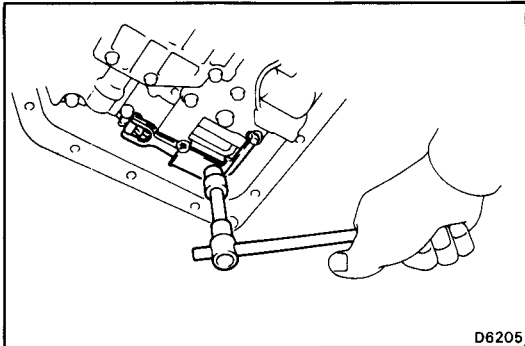
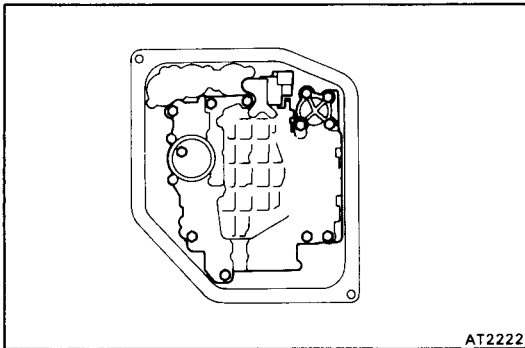
### 5. REMOVE APPLY TUBE BRACKET



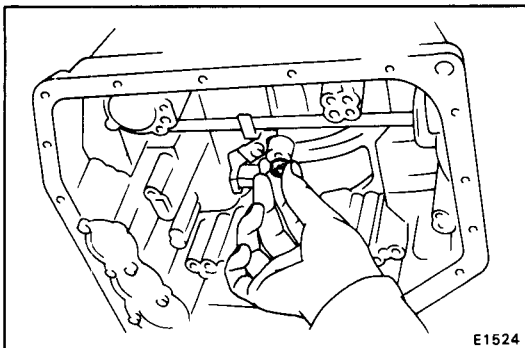
### 6. REMOVE TUBE CLAMP

**7. REMOVE OIL TUBES**

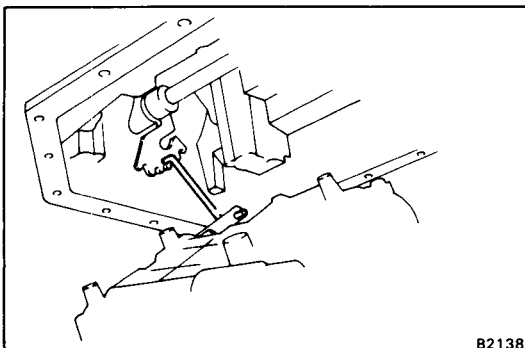
Pry up both tube ends with a large screwdriver and remove the five tubes.

**8. DISCONNECT SOLENOID CONNECTORS****9. REMOVE MANUAL DETENT SPRING****10. REMOVE VALVE BODY**

- (a) Remove the twelve bolts.
- (b) Disconnect the throttle cable from the cam.
- (c) Disconnect the manual valve connecting rod and remove the valve body.

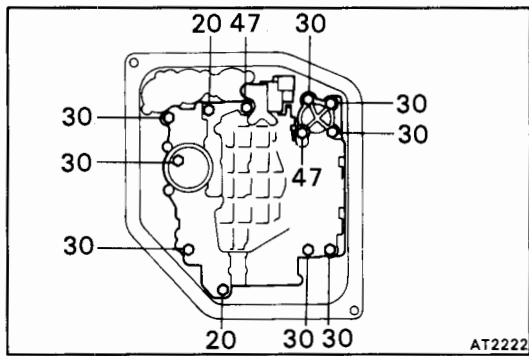
**11. REMOVE SECOND BRAKE APPLY GASKET****DISASSEMBLY OF VALVE BODY**

(See page AT-96)

**INSTALLATION OF VALVE BODY****1. INSTALL SECOND BRAKE APPLY GASKET****2. PLACE VALVE BODY ON TRANSMISSION**

- (a) Connect the manual valve connecting rod.
- (b) While holding the cam down with your hand, slip the cable end into the slot.
- (c) Bring valve body into place.

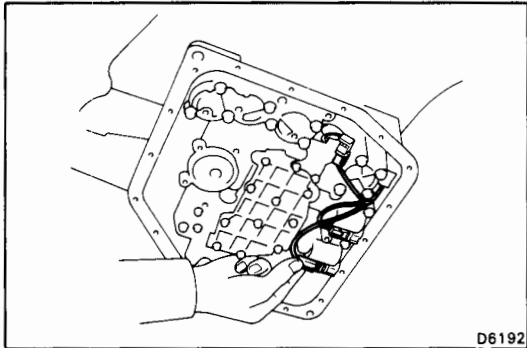
**CAUTION:** Be careful not to entangle the solenoid wire.



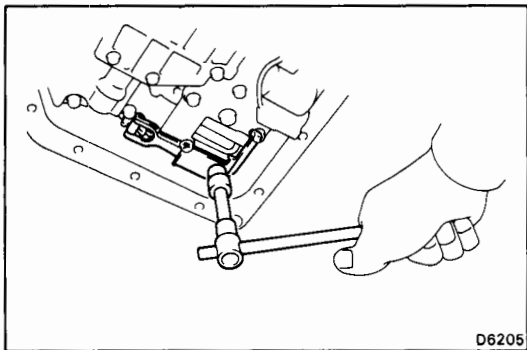
### 3. INSTALL BOLTS IN VALVE BODY

NOTE: Each bolt length (mm) is indicated in the figure. Finger tighten the all bolts first. Then tighten them with a torque wrench.

Torque: 100 kg-cm (7 ft-lb, 10 N·m)



### 4. CONNECT SOLENOID WIRING

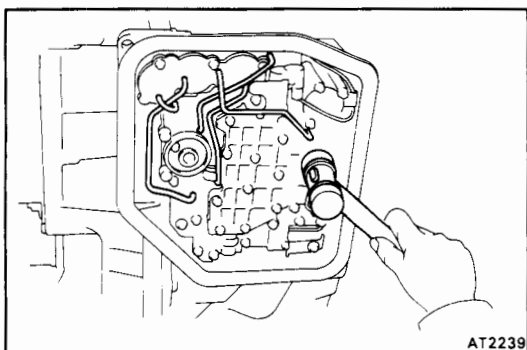


### 5. INSTALL DETENT SPRING

(a) Finger tighten the bolt first. Then tighten it.

Torque: 100 kg-cm (7 ft-lb, 10 N·m)

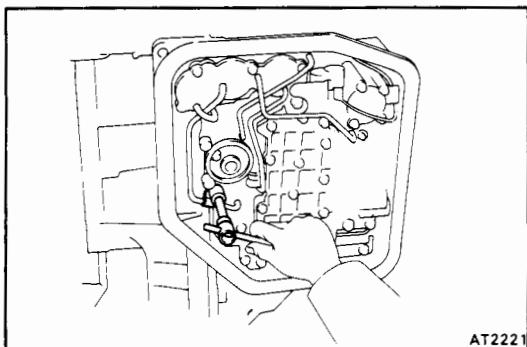
(b) Check that the manual valve lever is in contact with the center of the roller at the tip of the detent spring.



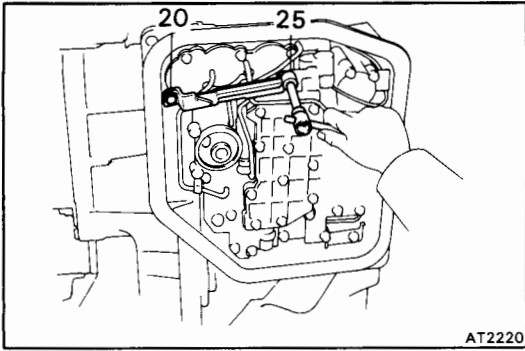
### 6. INSTALL OIL TUBES

Tap the tubes into the positions indicated in the figure with a plastic hammer.

**CAUTION:** Be careful not to bend or damage the tubes.

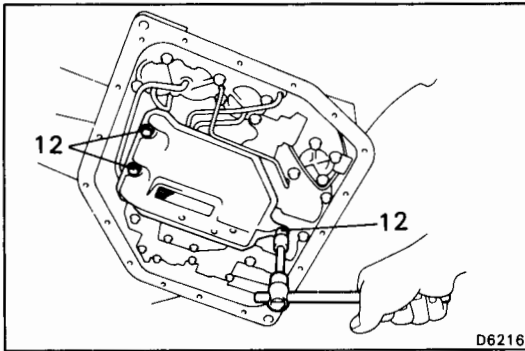


### 7. INSTALL TUBE CLAMP



**8. INSTALL APPLY TUBE BRACKET**

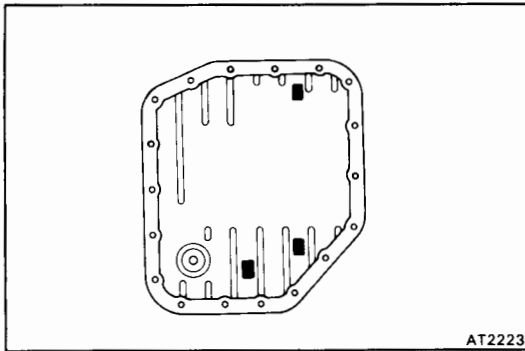
Each bolt length (mm) is indicated in the figure.



**9. INSTALL OIL STRAINER**

Each bolt length (mm) is indicated in the figure.

Torque: 100 kg-cm (7 ft-lb, 10 N·m)



**10. INSTALL MAGNETS IN PAN AND INSTALL OIL PAN WITH NEW GASKET**

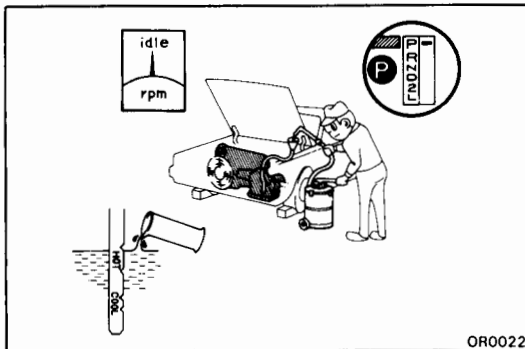
**CAUTION:** Make sure that the magnets do not interfere with the oil tubes.

Torque: 50 kg-cm (43 in.-lb, 4.9 N·m)

**11. INSTALL DRAIN PLUG WITH NEW GASKET**

SST 09043-38100

Torque: 175 kg-cm (13 ft-lb, 17 N·m)



**12. FILL TRANSMISSION WITH ATF**

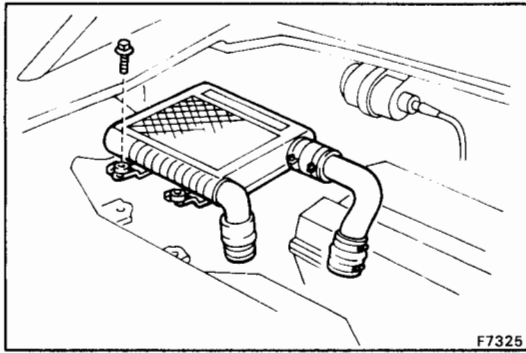
Add only about two liters of ATF.

**CAUTION:** Do not overfill.

Fluid type: ATF DEXRON® II

**13. CHECK FLUID LEVEL (See page AT-5)**

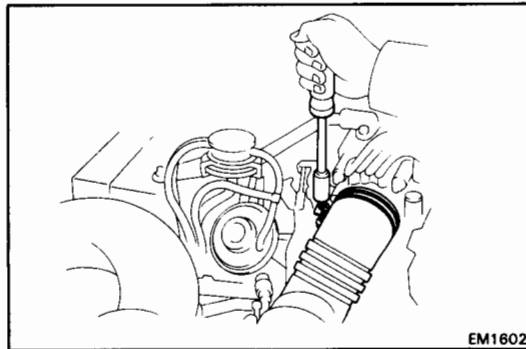




## REMOVAL OF TRANSAXLE

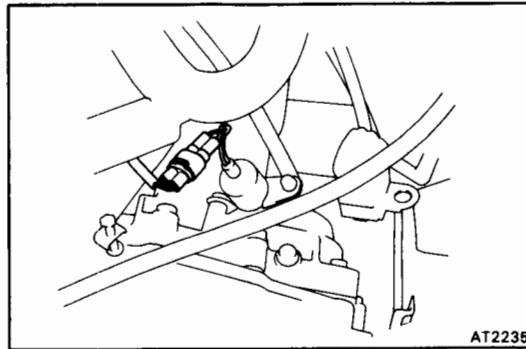
### 1. (A241E/4A-GZE) REMOVE INTERCOOLER

Disconnect the two hose clamps, and remove the four bolts and intercooler.

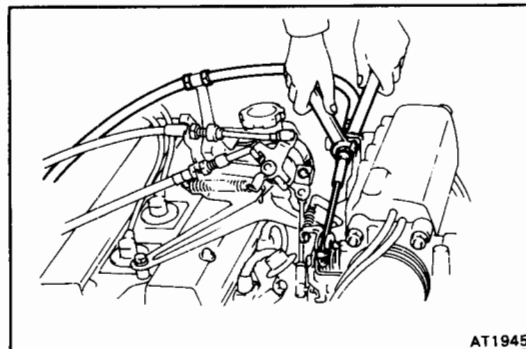


### 2. DISCONNECT NEGATIVE BATTERY TERMINAL

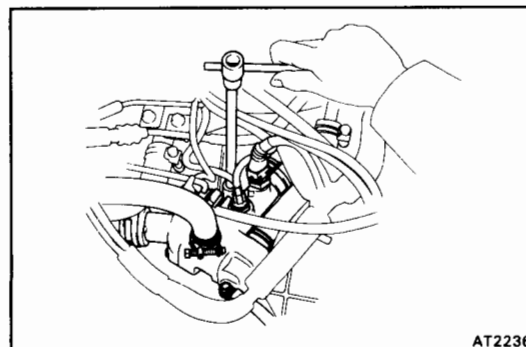
### 3. REMOVE AIR FLOW METER AND AIR CLEANER HOSE



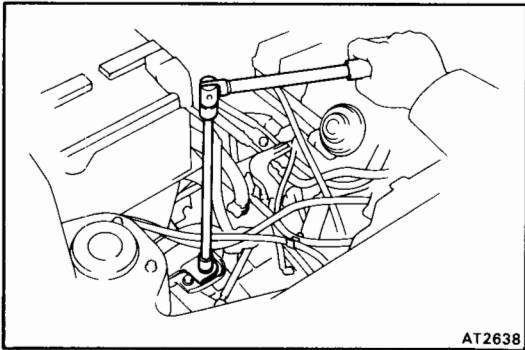
### 4. DISCONNECT SPEED SENSOR CONNECTOR



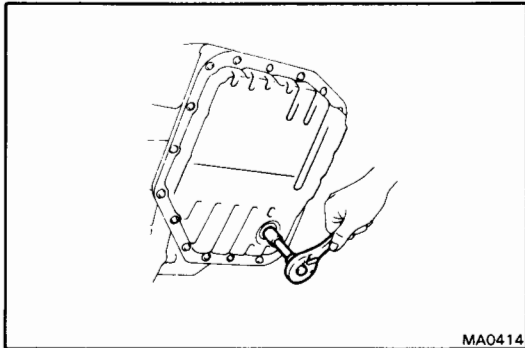
### 5. DISCONNECT THROTTLE CABLE FROM THROTTLE LINKAGE AND BRACKET



### 6. REMOVE WATER INLET SET BOLTS AND DISCONNECT GROUND STRAP



**7. REMOVE TRANSMISSION MOUNTING SET BOLT**

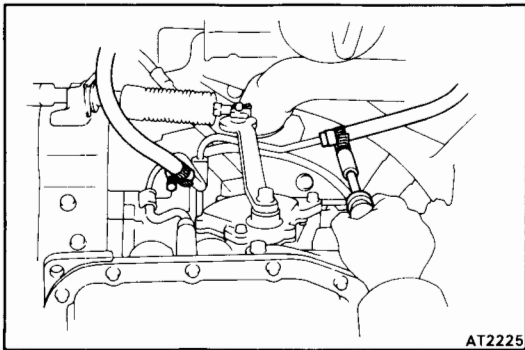


**8. RAISE VEHICLE AND DRAIN TRANSAXLE**

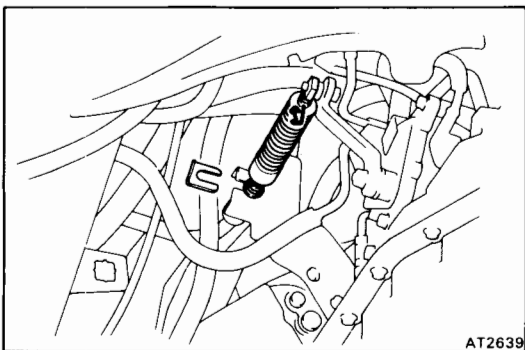
**9. REMOVE REAR LH WHEEL**

**10. REMOVE ENGINE UNDER COVER**

**11. DISCONNECT SPEEDOMETER CABLE**

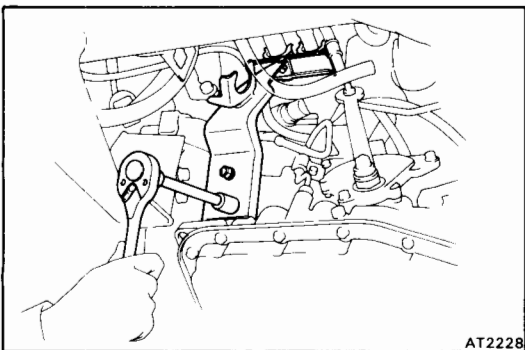


**12. DISCONNECT OIL COOLER HOSES**

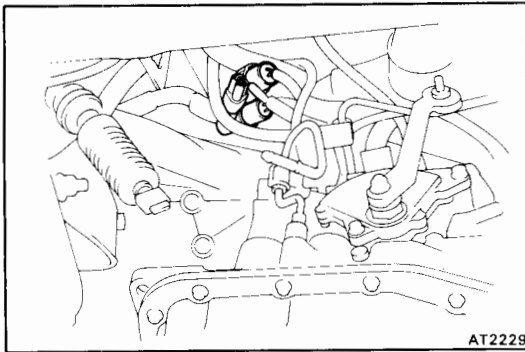


**13. DISCONNECT CONTROL CABLE**

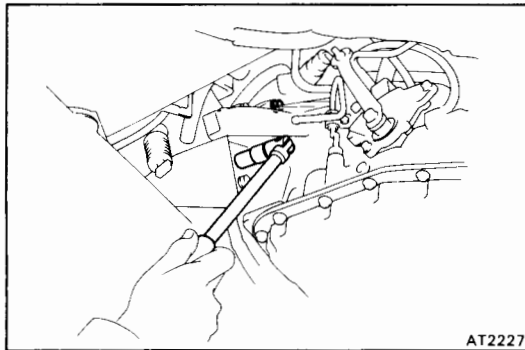
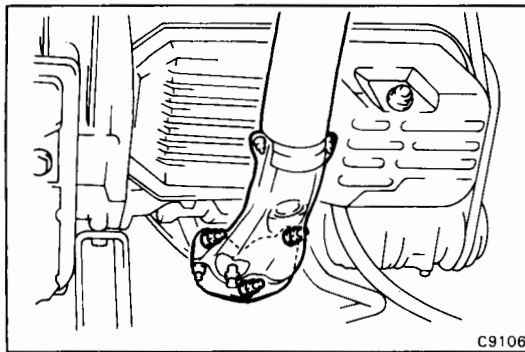
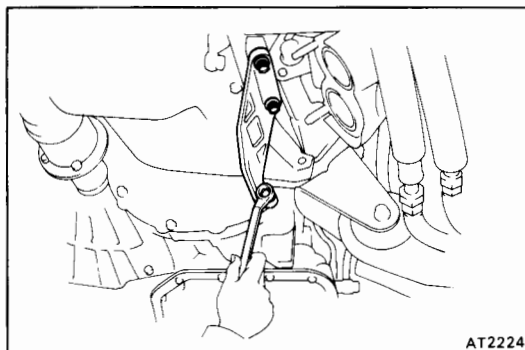
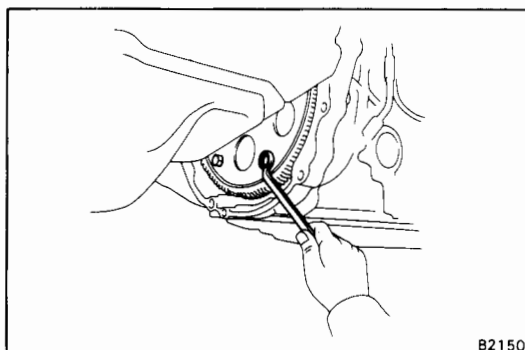
- (a) Remove the clip.
- (b) Remove the retainer.
- (c) Disconnect the control cable.



**14. REMOVE CONTROL CABLE BRACKET**

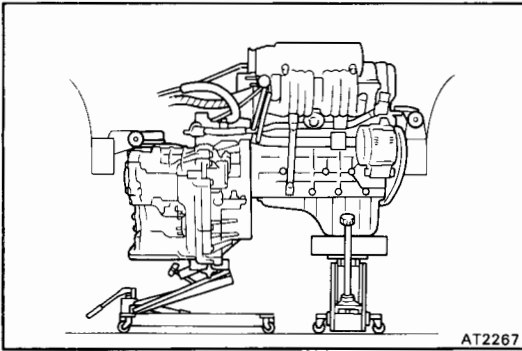
**15. DISCONNECT THE THREE CONNECTORS**

Disconnect the two neutral start switch connectors and the solenoid connector.

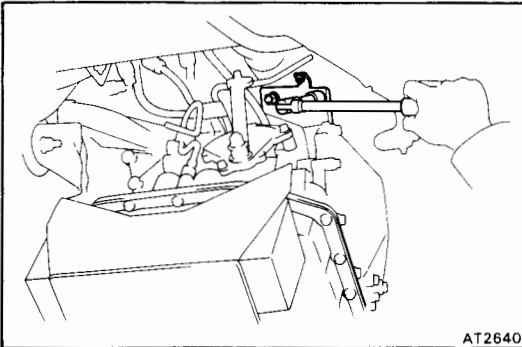
**16. REMOVE STARTER MOTOR SET BOLTS****17. REMOVE EXHAUST PIPE****18. REMOVE STIFFENER PLATE****19. REMOVE ENGINE REAR END PLATE****20. REMOVE TORQUE CONVERTER MOUNTING BOLTS**

- (a) Turn the crankshaft to gain access to each bolt.
- (b) Hold the crankshaft pulley bolt with a wrench, remove the six bolts.

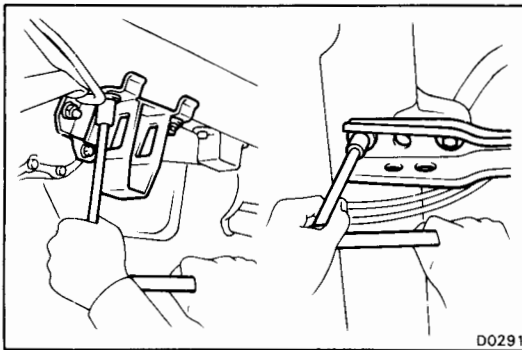
**21. REMOVE DRIVE SHAFTS  
(See page RA-14)**



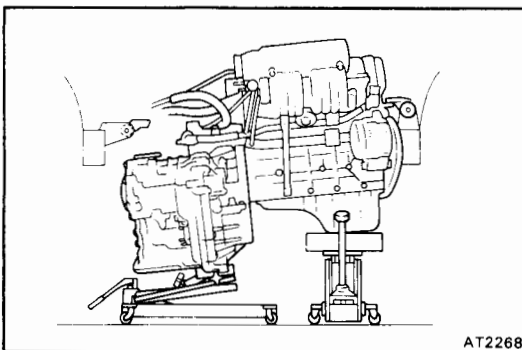
- 22. HOLD ENGINE AND TRANSAXLE WITH TWO JACKS, OR A CHAIN BLOCK AND JACK**



- 23. REMOVE TRANSMISSION MOUNTING SET BOLTS**



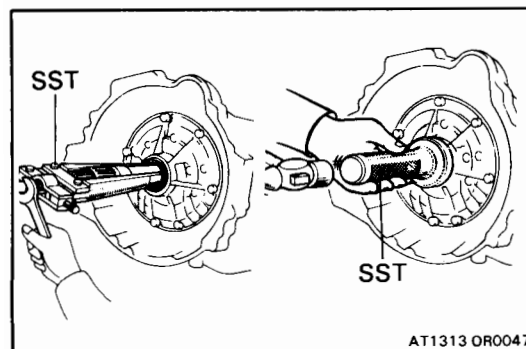
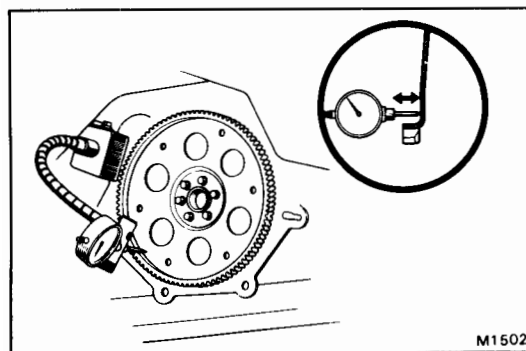
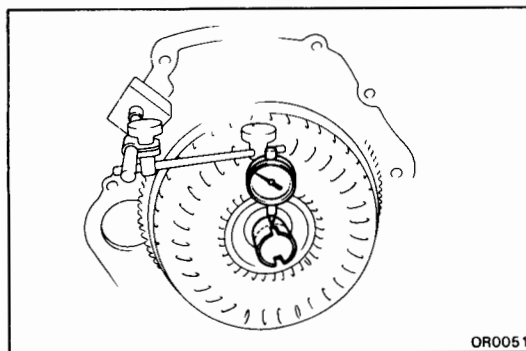
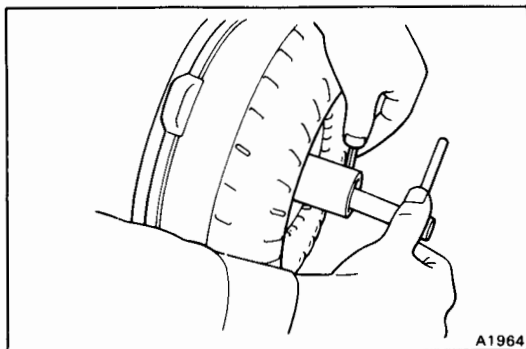
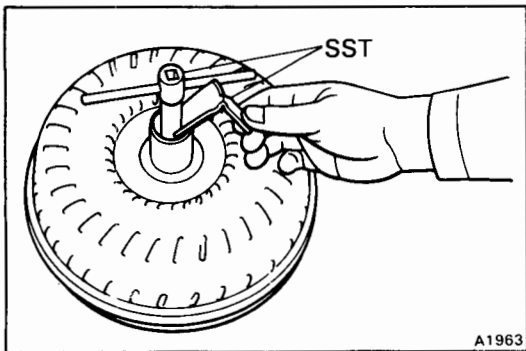
- 24. DISCONNECT FRONT AND REAR MOUNTING**



- 25. REMOVE TRANSAXLE HOUSING MOUNTING BOLTS**  
Lower the rear end of the transaxle, remove the mounting bolts.

- 26. REMOVE TRANSAXLE ASSEMBLY FROM ENGINE**  
Making sure that neither the throttle cable nor wire harnesses snag inside the engine compartment moving the transaxle back and forth, left and right, remove the transaxle from the engine.

- 27. REMOVE TORQUE CONVERTER FROM TRANSAXLE**



## TORQUE CONVERTER

### CLEAN TORQUE CONVERTER

If the transmission is contaminated, the torque converter and transmission cooler should be thoroughly flushed with Toyota Transmission Cleaner.

### INSPECTION OF TORQUE CONVERTER

#### 1. INSERT SST IN END OF TORQUE CONVERTER

- (a) Insert a turning tool in the inner race of the one-way clutch.
- (b) Install the stopper so that it fits in the notch of the converter hub and outer race of the one-way clutch.  
SST 09350-32013 (09351-32010, 09351-32020)

#### 2. TEST ONE-WAY CLUTCH

With the torque converter positioned upward, the clutch should lock when turned counterclockwise, and should rotate freely and smoothly clockwise. Less than 25 kg-cm (22 in.-lb, 2.5 N·m) of torque should be required to rotate the clutch.

If necessary, clean the converter and retest the clutch. Replace the converter if the clutch still fails the test.

#### 3. MEASURE TORQUE CONVERTER SLEEVE RUNOUT

- (a) Temporarily mount the torque converter to the drive plate. Set up a dial indicator.

**Torque: 280 kg-cm (20 ft-lb, 27 N·m)**

**Runout: 0.30 mm (0.0118 in.) or less**

If runout exceeds 0.30 mm (0.0118 in.), try to correct it by reorienting the installation of the converter. If excessive runout cannot be corrected, replace the torque converter.

NOTE: Mark the position of the converter to ensure correct installation.

- (b) Remove the torque converter.

#### 4. MEASURE DRIVE PLATE RUNOUT AND INSPECT RING GEAR

Set up a dial indicator and measure the drive plate runout.

If runout exceeds 0.20 mm (0.0079 in.) or if the ring gear is damaged, replace the drive plate. If installing a new drive plate, note the orientation of the spacers and tighten the bolts.

**Torque: 650 kg-cm (47 ft-lb, 64 N·m)**

**Runout: 0.20 mm (0.0079 in.) or less**

## OIL PUMP

### REPLACEMENT OF OIL SEAL

#### 1. REMOVE OIL SEAL WITH SST

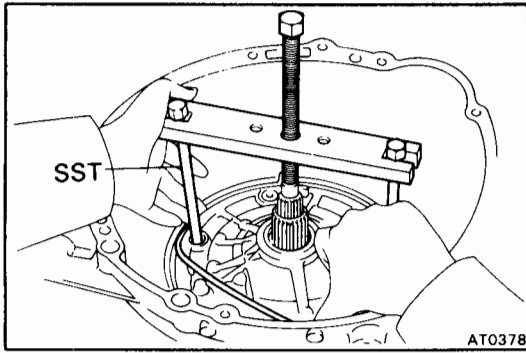
SST 09350-32013 (09308-10010)

#### 2. INSTALL NEW OIL SEAL

- (a) Apply MP grease to the oil seal lip.

- (b) Drive in the oil seal with SST.

SST 09350-32013 (09351-32140)



## REPLACEMENT OF O-RING

### 1. REMOVE OIL PUMP

- (a) Position the transmission with the oil pump facing upward.
- (b) Remove the seven bolts.
- (c) Pull up the oil pump to where the O-ring can be removed with SST.

SST 09350-32013 (09351-32061)

- (d) Temporarily install the bolt.

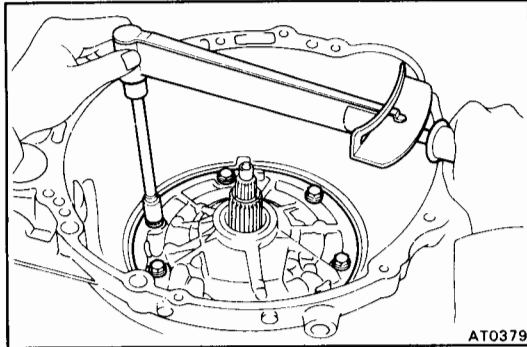
### 2. REMOVE O-RING

### 3. INSTALL NEW O-RING

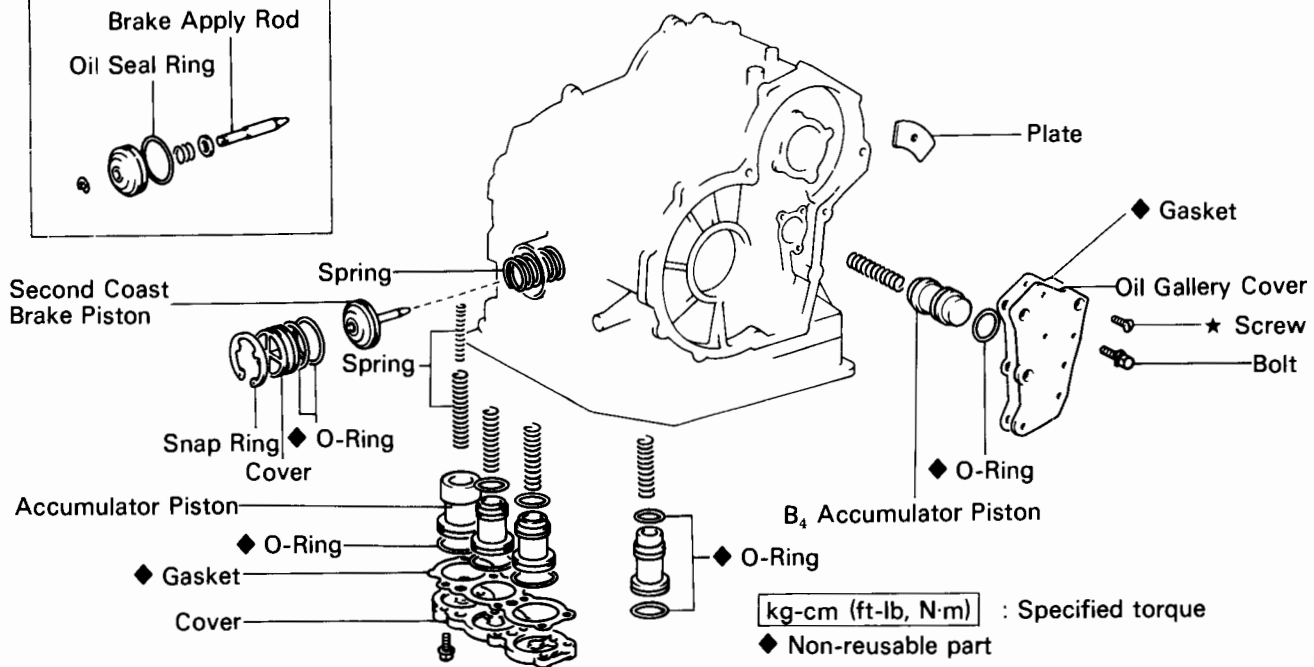
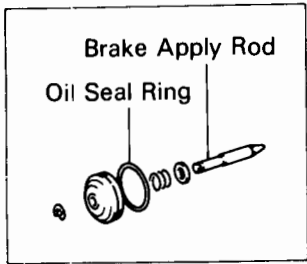
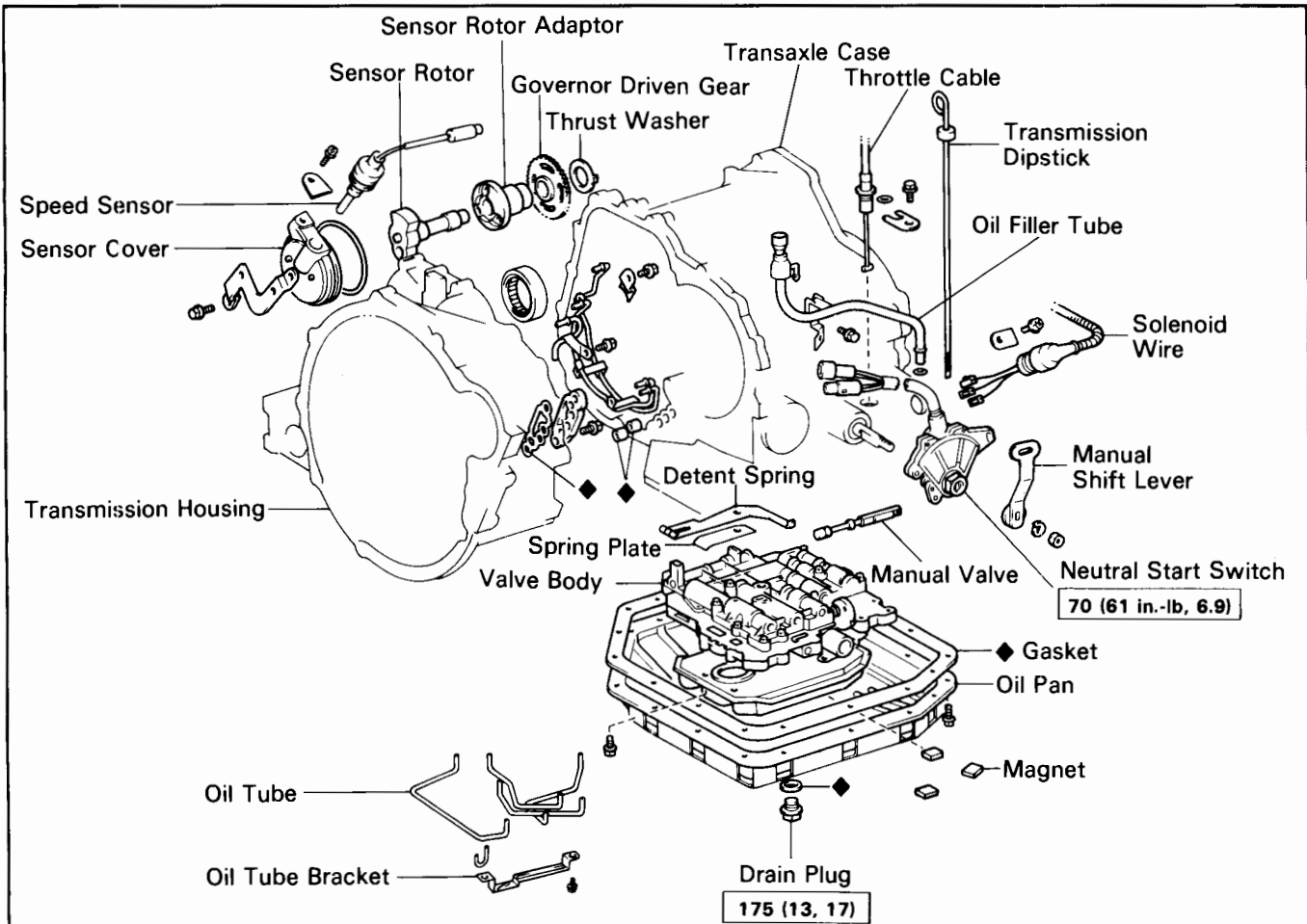
### 4. INSTALL OIL PUMP MOUNTING BOLT

Tighten the seven bolts uniformly and a little at a time.

**Torque: 250 kg-cm (18 ft-lb, 25 N·m)**



# DISASSEMBLY OF TRANSMISSION COMPONENTS

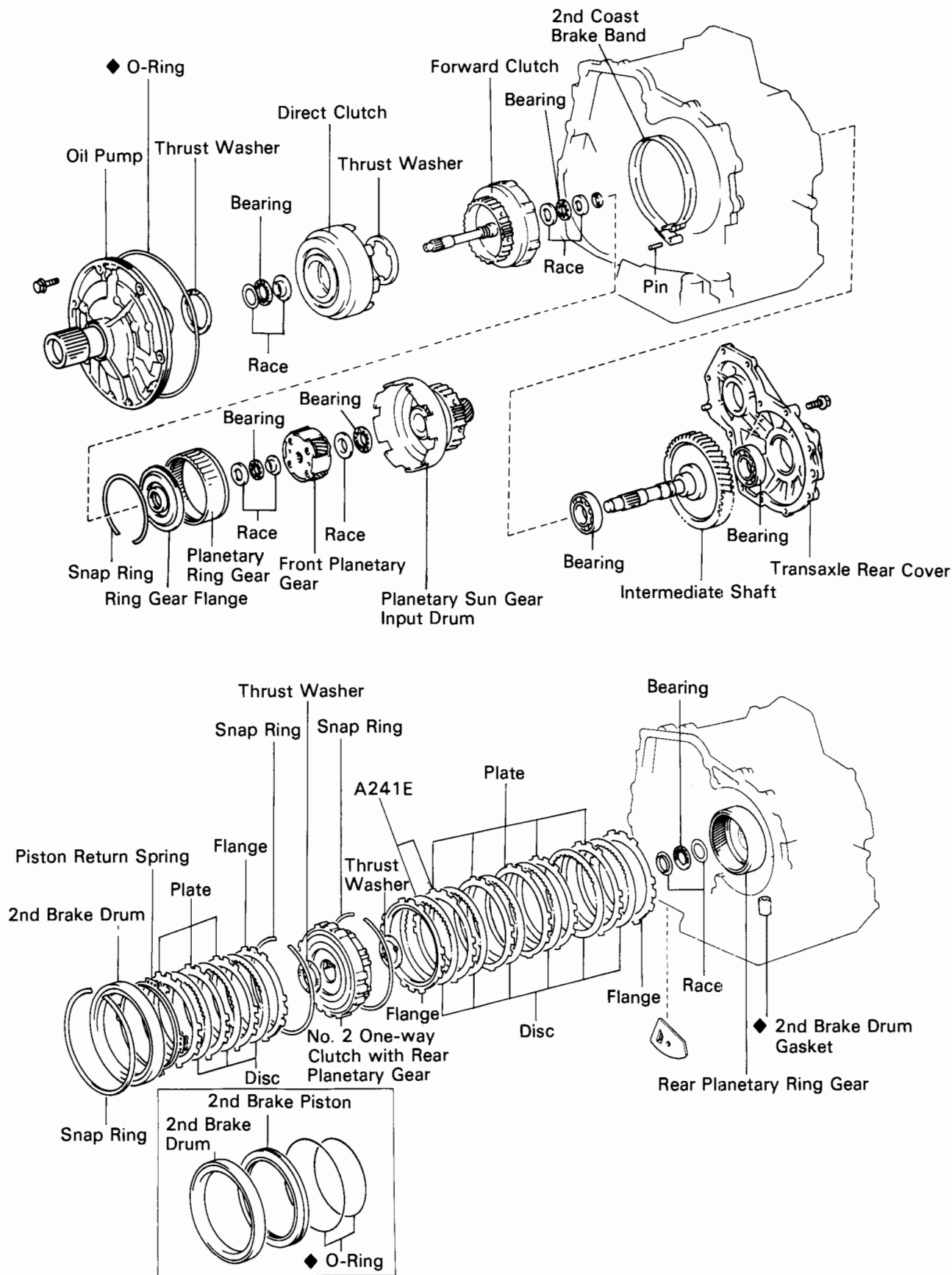


kg-cm (ft-lb, N·m) : Specified torque

◆ Non-reusable part

★ Precoated part

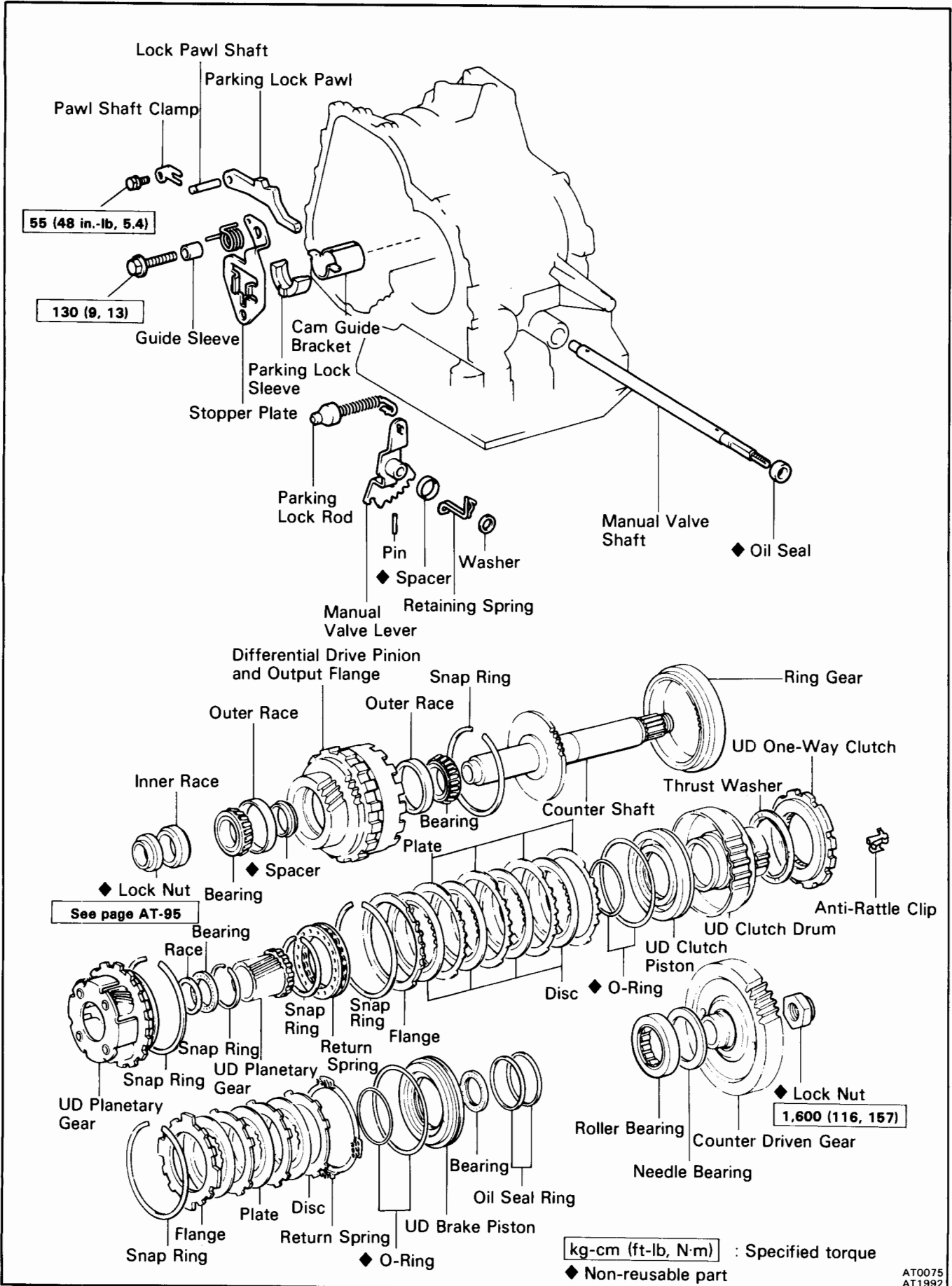
COMPONENTS (Cont'd)



◆ Non-reusable part

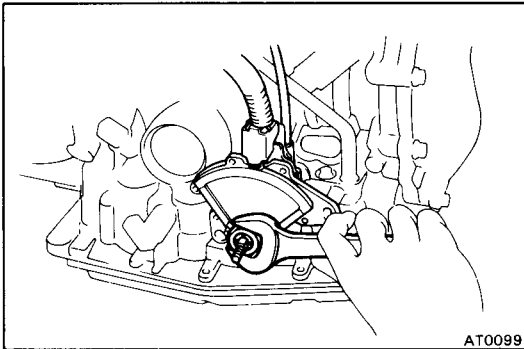


COMPONENTS (Cont'd)

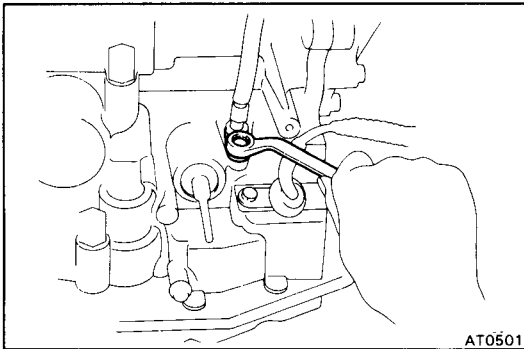


**SEPARATE BASIC SUBASSEMBLY**

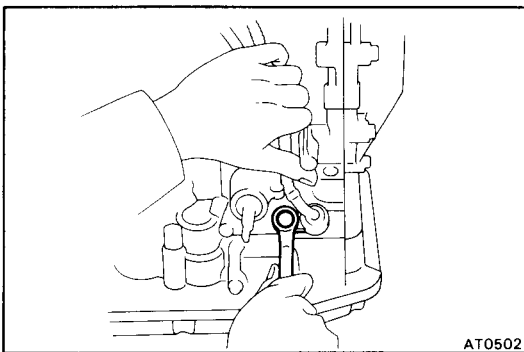
1. REMOVE THE TWO OIL COOLER PIPES
2. REMOVE TRANSMISSION DIPSTICK AND FILLER TUBE
3. REMOVE MANUAL SHIFT LEVER



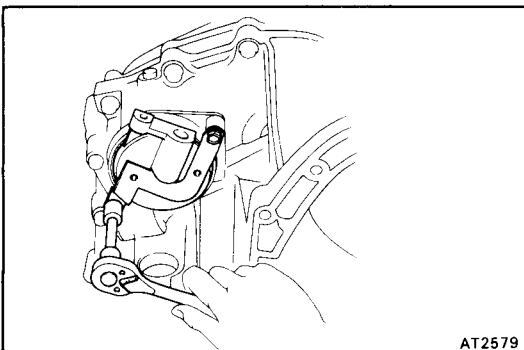
4. REMOVE NEUTRAL START SWITCH



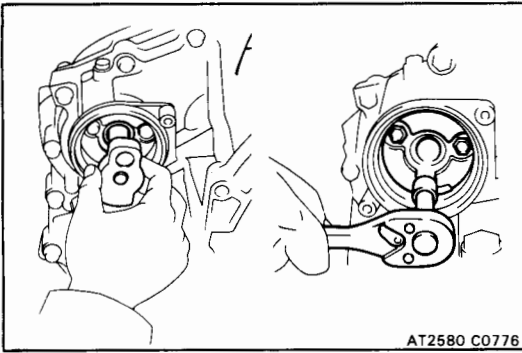
5. REMOVE THROTTLE CABLE RETAINING PLATE



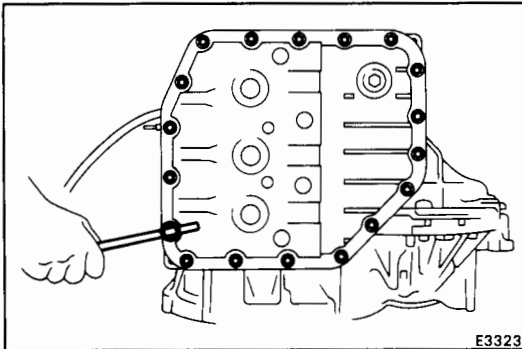
6. REMOVE SOLENOID WIRE RETAINING PLATE



7. REMOVE SPEED SENSOR AND SENSOR ROTOR
  - (a) Remove the retaining plate and speed sensor.
  - (b) Remove the two bolts and sensor cover.



- (c) Remove the sensor rotor.
- (d) Remove the sensor rotor adaptor.

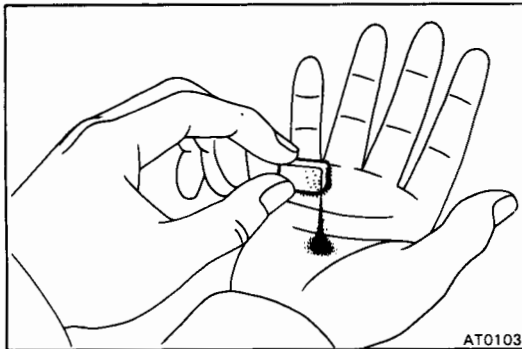


### 8. REMOVE PAN AND GASKET

- (a) Remove the eighteen bolts.
- (b) Remove the pan by lifting the transmission case.

**CAUTION:** Do not turn the transmission over as it will contaminate the valve body with the foreign materials in the bottom of the pan.

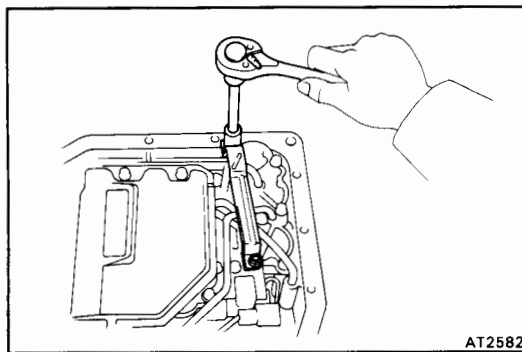
- (c) Place the transmission on wooden blocks to prevent damage to the pipe.



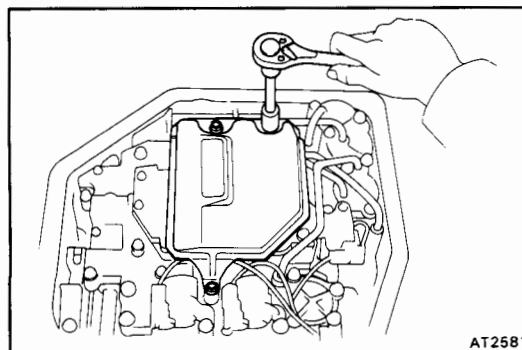
### 9. EXAMINE PARTICLES IN PAN

Remove the magnet and use it to collect any steel chips. Look carefully at the chips and particles in the pan and on the magnet to anticipate what type of wear you will find in the transmission:

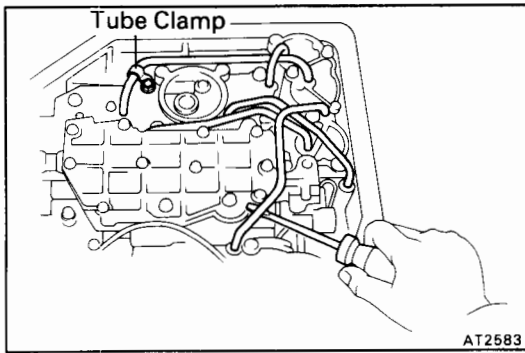
- Steel (magnetic) ... bearing, gear and plate wear
- Brass (non-magnetic) ... bushing wear



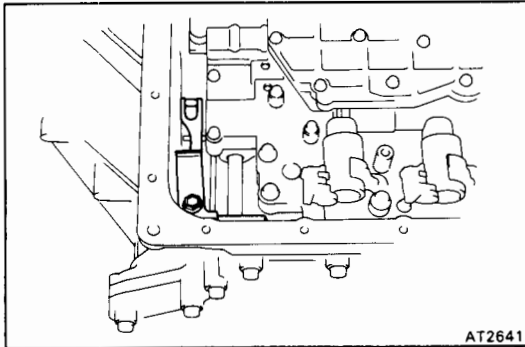
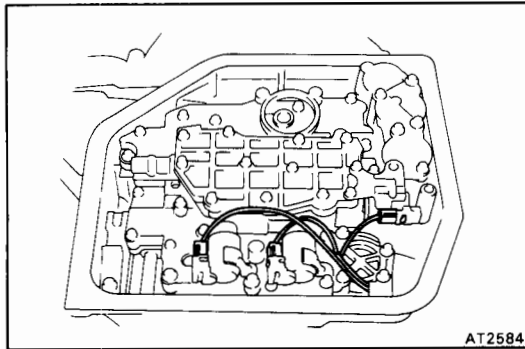
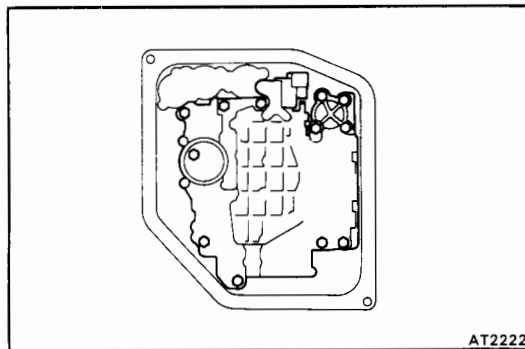
### 10. TURN TRANSMISSION OVER AND REMOVE OIL TUBE BRACKET



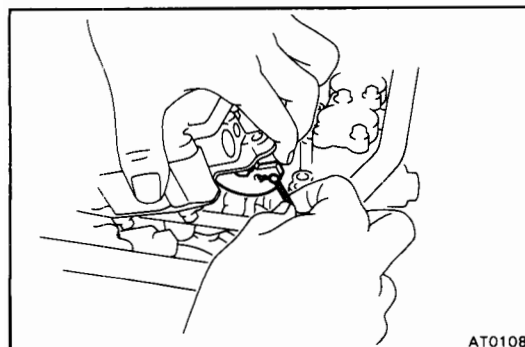
### 11. REMOVE OIL STRAINER

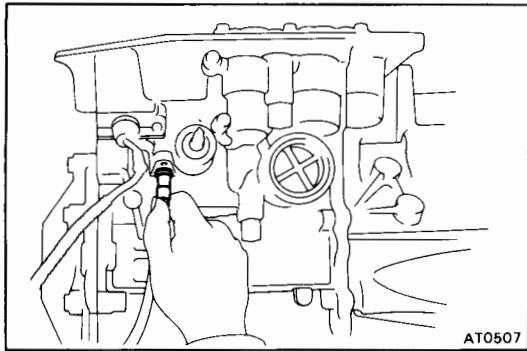
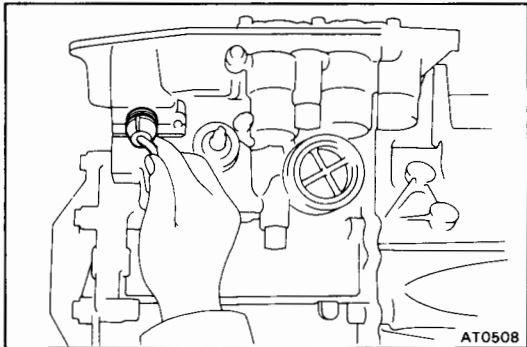
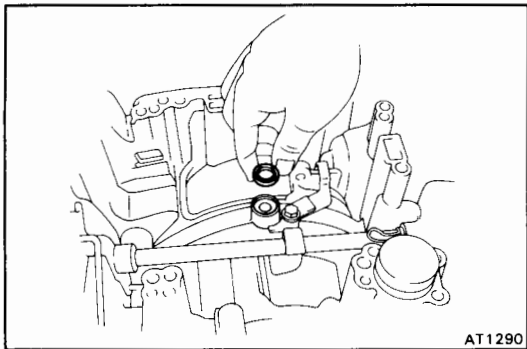
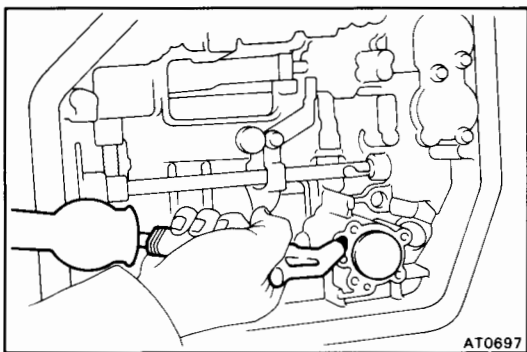
**12. REMOVE OIL TUBES**

- (a) Remove the tube clamp bolt.
- (b) Pry up both tube ends with a large screwdriver and remove the five tubes.

**13. REMOVE MANUAL DETENT SPRING****14. DISCONNECT SOLENOID CONNECTORS****15. REMOVE VALVE BODY**

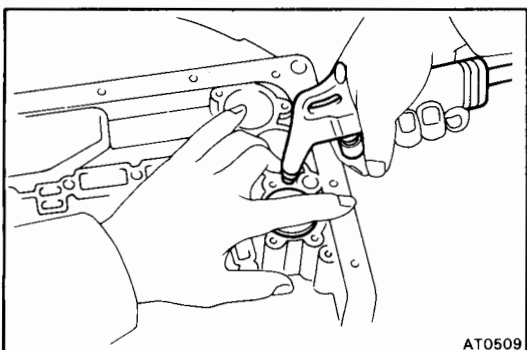
- (a) Remove the twelve bolts.
- (b) Disconnect the throttle cable from the cam.
- (c) Disconnect the manual valve connecting rod from the manual valve lever and remove the valve body.



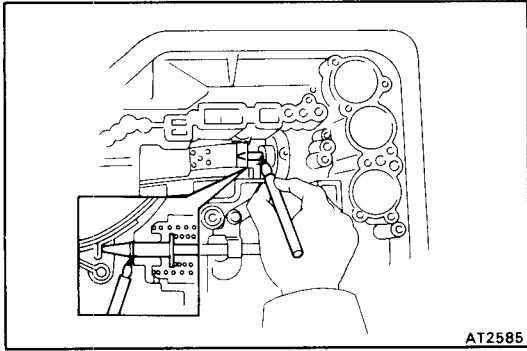
**16. REMOVE THROTTLE CABLE FROM CASE****17. REMOVE SOLENOID WIRE****18. REMOVE SECOND BRAKE APPLY GASKET****19. REMOVE C<sub>3</sub> ACCUMULATOR PISTON AND SPRING**

Using low-pressure compressed air (1 kg/cm<sup>2</sup>, 14 psi or 98 kPa), pop out the piston into a rag.

Force air into the hole shown and remove the piston and spring.

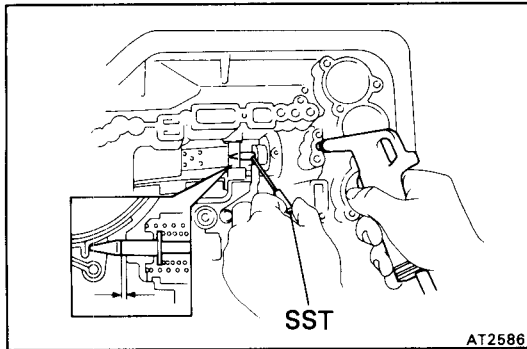
**20. REMOVE ACCUMULATOR PISTONS AND SPRINGS**

- (a) Loosen the five bolts one turn at a time until the spring tension is released.
- (b) Remove the cover and the gasket.
- (c) Remove the piston and spring for C<sub>1</sub>.
- (d) Using low-pressure compressed air (1 kg/cm<sup>2</sup>, 14 psi or 98 kPa), pop out piston B<sub>2</sub> and C<sub>2</sub> into a rag. Force air into the hole shown and remove the piston and springs.



**21. MEASURE PISTON STROKE OF SECOND COAST BRAKE**

- (a) Apply a small amount of paint to the piston rod at the point it meets the case as shown in the illustration.

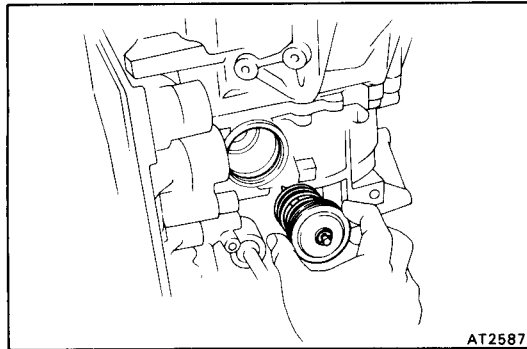


- (b) Using SST, measure the piston stroke applying and releasing the compressed air (4 – 8 kg/cm<sup>2</sup>, 57 – 114 psi or 392 – 785 kPa) as shown.

SST 09240-00020

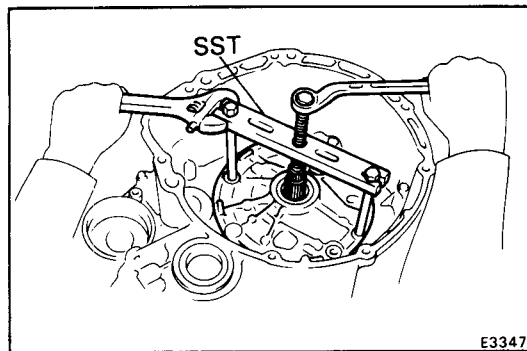
**Piston stroke: 1.5 – 3.0 mm (0.059 – 0.118 in.)**

If the piston stroke exceeds the limit, replace the piston rod or brake band.



**22. REMOVE SECOND COAST BRAKE PISTON**

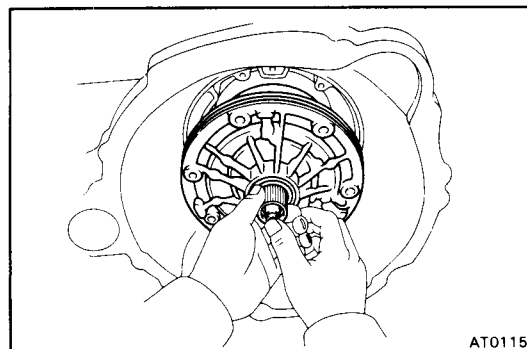
- (a) Remove the snap ring.
- (b) Remove the cover.
- (c) Remove the piston and the outer return spring.



**23. REMOVE OIL PUMP**

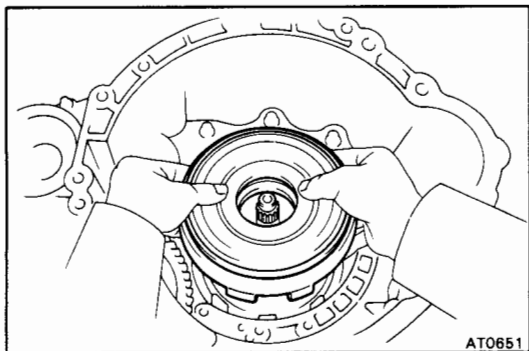
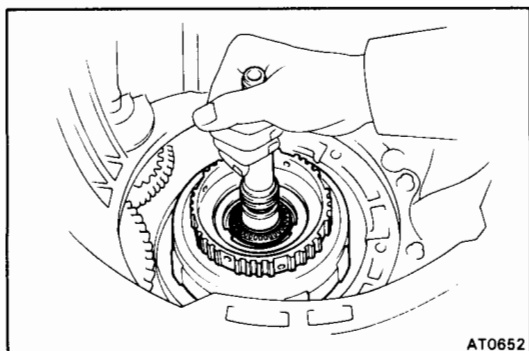
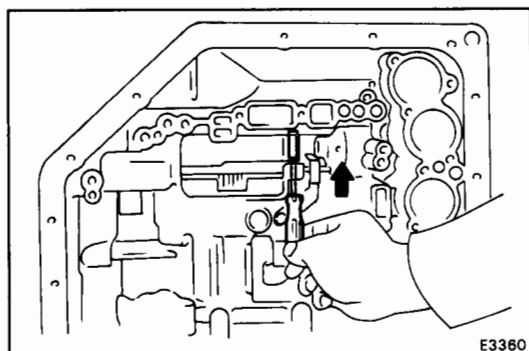
- (a) Remove the six blots.
- (b) Using SST, pull out the oil pump.

SST 09350-32013 (09351-32061)

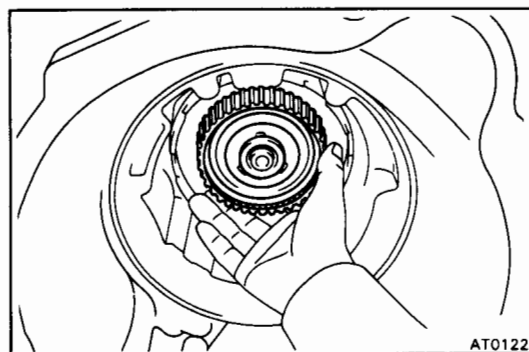
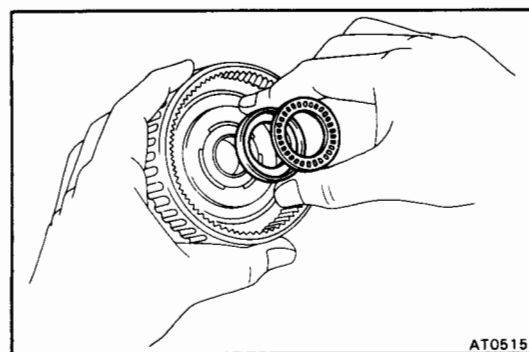


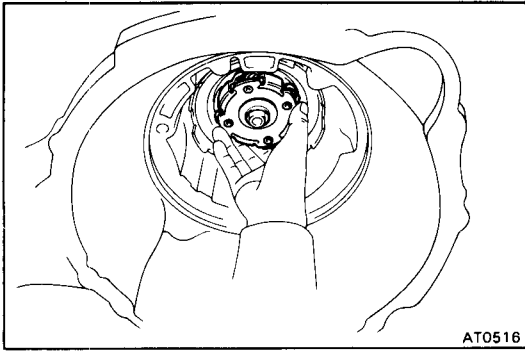
**24. REMOVE OIL PUMP**

**25. WATCH FOR RACE AND BEARING BEHIND OIL PUMP**

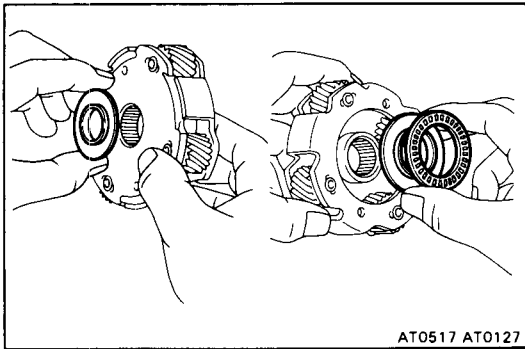
**26. REMOVE DIRECT CLUTCH****27. REMOVE FORWARD CLUTCH****28. WATCH FOR RACES AND BEARINGS****29. REMOVE SECOND COAST BRAKE BAND**

- (a) Push the pin with a small screwdriver and remove it from the bolt hole of the oil pump mounting.
- (b) Remove the brake band.

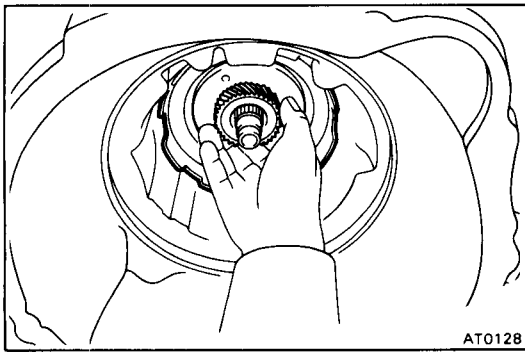
**30. REMOVE FRONT PLANETARY RING GEAR WITH BEARING AND RACE****31. WATCH FOR RACE AND BEARING ON RING GEAR**



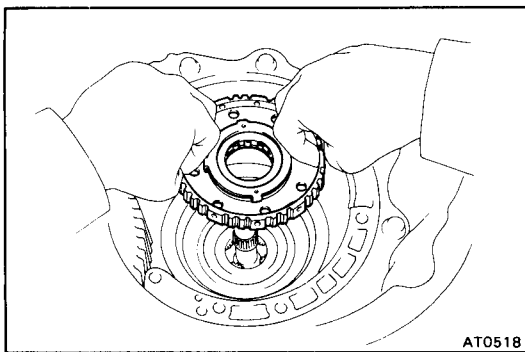
**32. REMOVE FRONT PLANETARY GEAR WITH RACE**



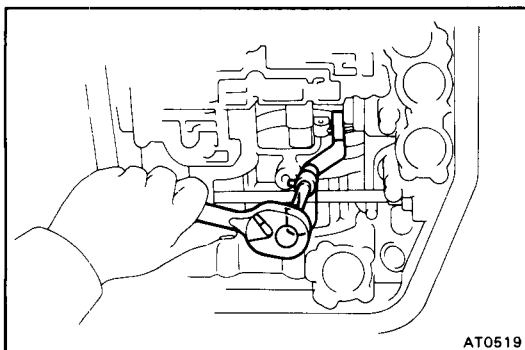
**33. WATCH FOR RACES AND BEARING ON FRONT PLANETARY GEAR**



**34. REMOVE SUN GEAR, SUN GEAR INPUT DRUM AND THRUST WASHER**

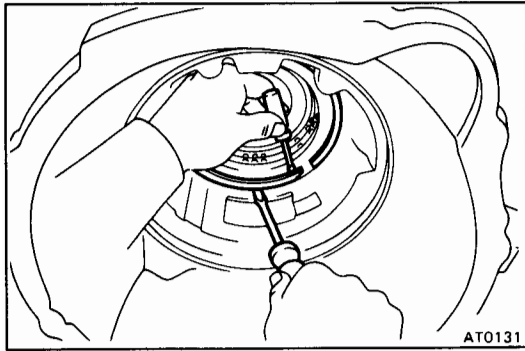


**35. REMOVE SECOND BRAKE HUB AND NO. 1 ONE-WAY CLUTCH**

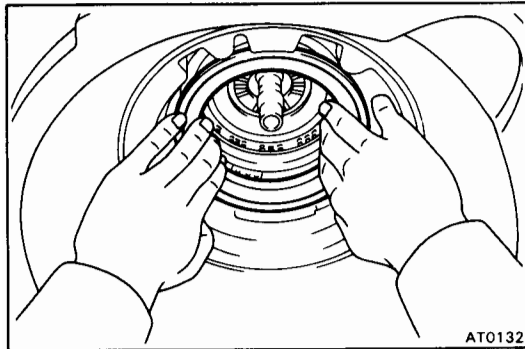


**36. REMOVE SECOND COAST BRAKE BAND GUIDE**



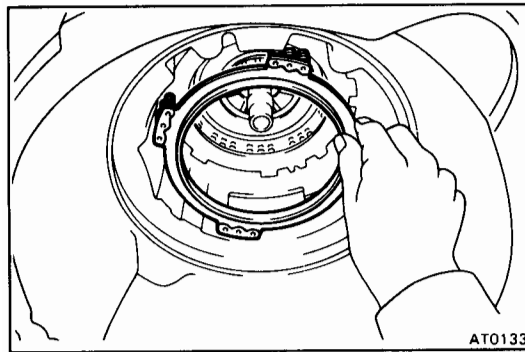


**37. REMOVE SNAP RING HOLDING SECOND BRAKE DRUM TO CASE**

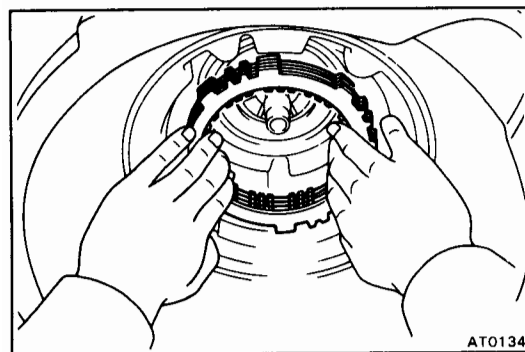


**38. REMOVE SECOND BRAKE DRUM**

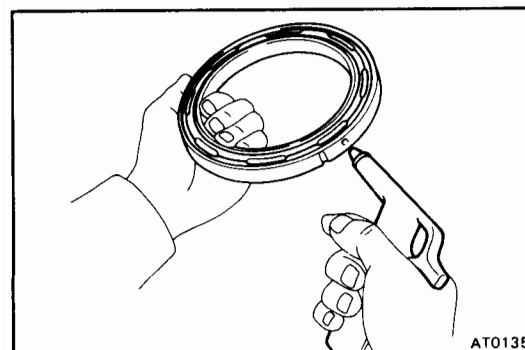
If the brake drum is difficult to remove, lightly tap it with a wooden block.



**39. REMOVE SECOND BRAKE PISTON RETURN SPRING**



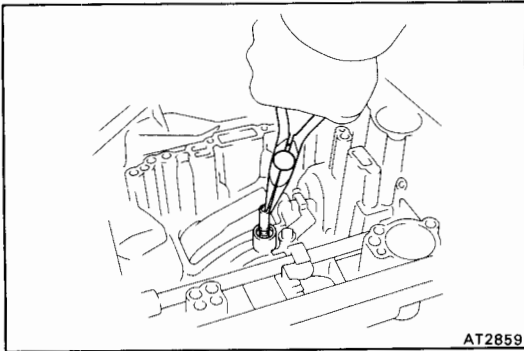
**40. REMOVE PLATES, DISCS, AND FLANGE**



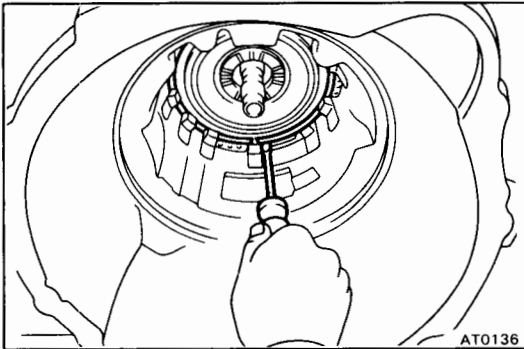
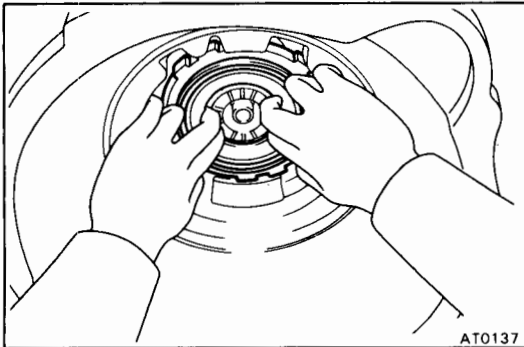
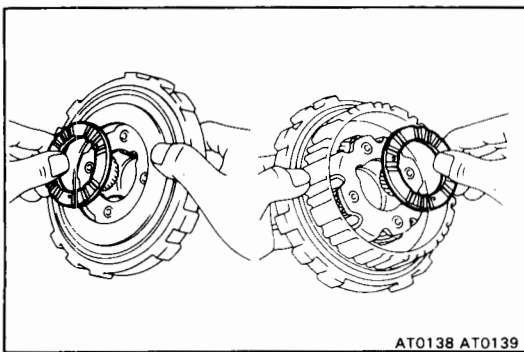
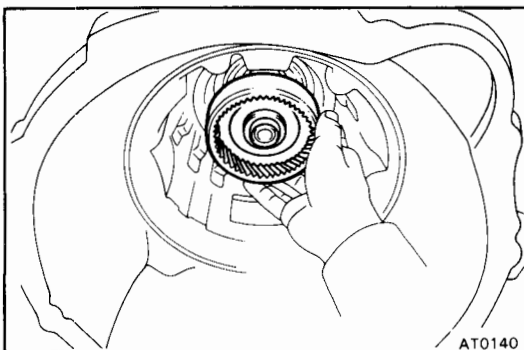
**41. BLOW OUT PISTON WITH COMPRESSED AIR**

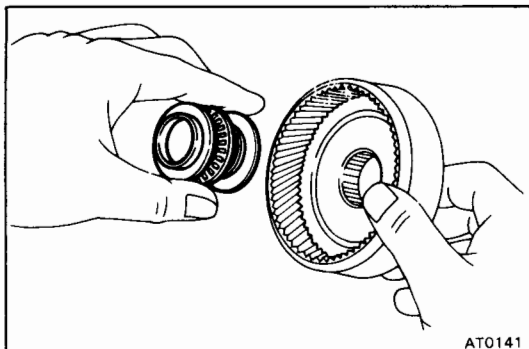
Use compressed air to remove the piston.

**NOTE:** Hold the piston so it is not horizontal, and blow with the gun slightly away from the oil hole.

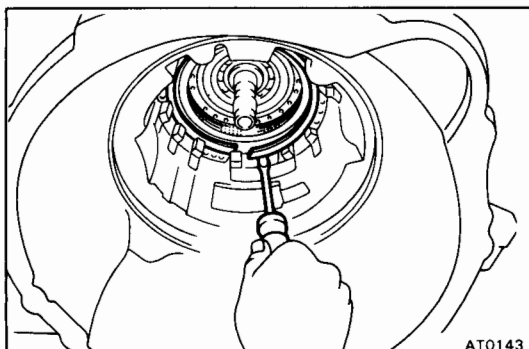
**42. REMOVE SECOND BRAKE DRUM SEAL**

Using a needle nose pliers, pull out the second brake drum seal.

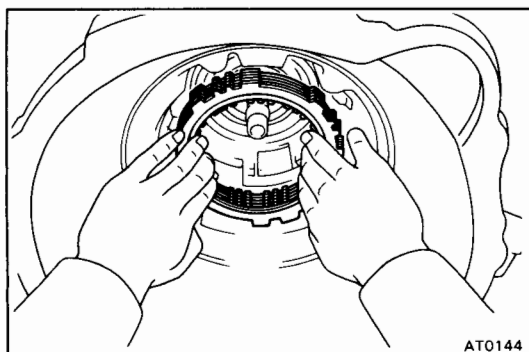
**43. REMOVE SNAP RING HOLDING NO. 2 ONE-WAY CLUTCH OUTER RACE TO CASE****44. REMOVE NO. 2 ONE-WAY CLUTCH AND REAR PLANETARY GEAR WITH THRUST WASHERS****45. WATCH FOR THRUST WASHERS OF PLANETARY CARRIER ON BOTH SIDES****46. REMOVE REAR PLANETARY RING GEAR AND BEARING**



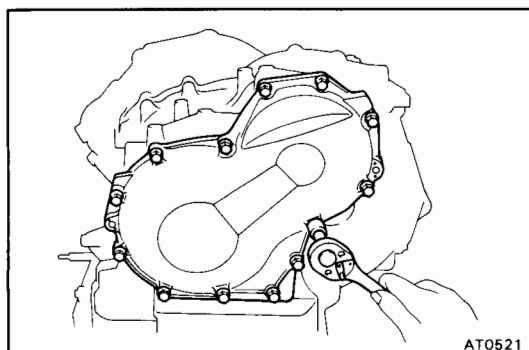
**47. WATCH FOR RACES AND BEARING ON RING GEAR**



**48. REMOVE SNAP RING HOLDING FLANGE TO CASE**

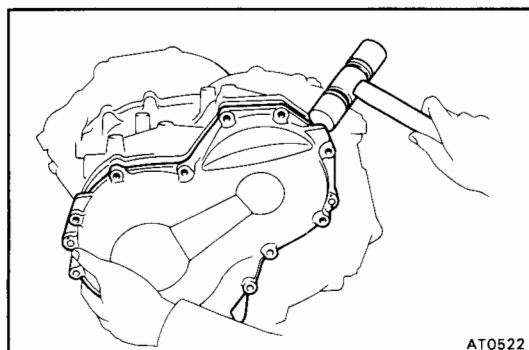


**49. REMOVE FLANGES, PLATES AND DISCS**



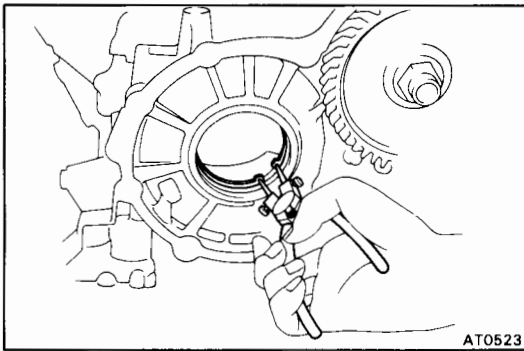
**50. TURN TRANSMISSION CASE AROUND**

**51. REMOVE THE THIRTEEN BOLTS HOLDING TRANSEXLE REAR COVER TO TRANSMISSION CASE**



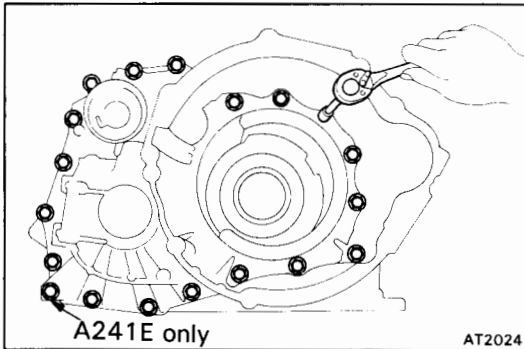
**52. REMOVE TRANSEXLE REAR COVER AND INTERMEDIATE SHAFT**

- (a) Tap on the circumference of the cover with a plastic hammer to remove the cover from the transmission case.
- (b) Remove the intermediate shaft if it remain in the transmission.



**53. REMOVE SNAP RING**

AT0523

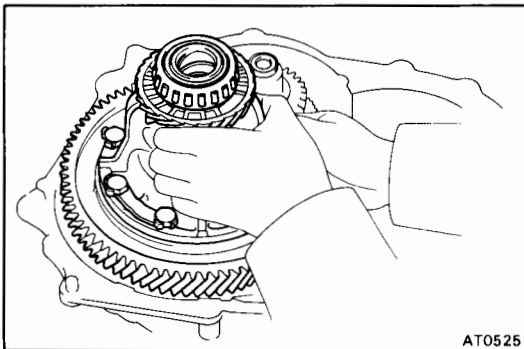


**54. REMOVE TRANSAXLE HOUSING**

Remove the bolts and transaxle housing.

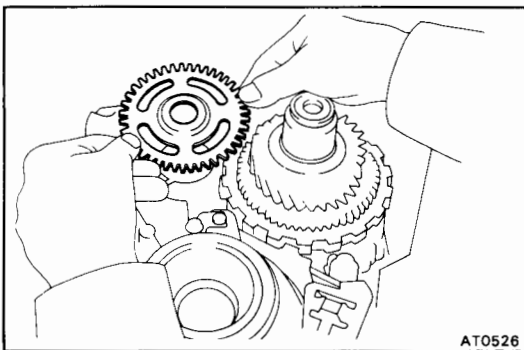
NOTE: A240E . . . eighteen bolts  
A241E . . . nineteen bolts

AT2024



**55. REMOVE DIFFERENTIAL**

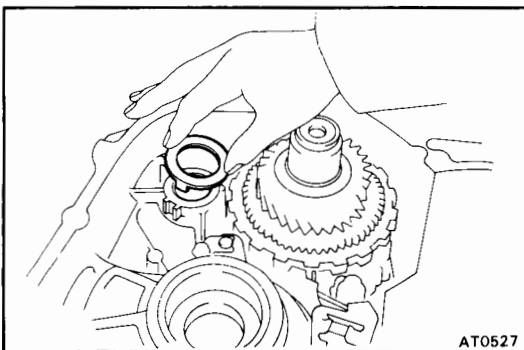
AT0525



**56. REMOVE GOVERNOR DRIVEN GEAR**

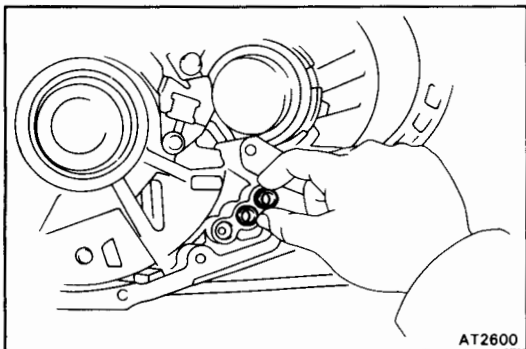
(a) Remove the governor driven gear.

AT0526

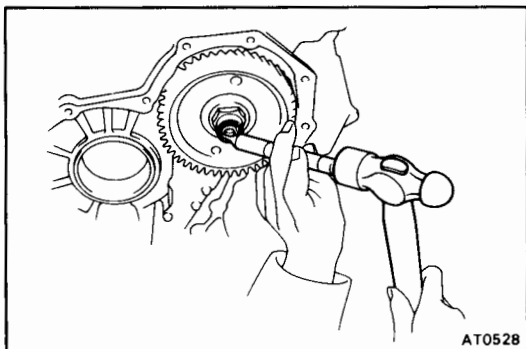


(b) Remove the thrust washer.

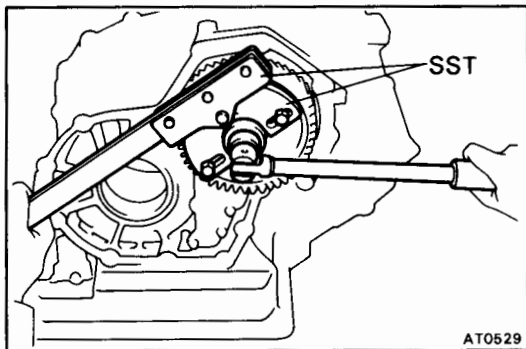
AT0527

**57. REMOVE OIL SEALS**

Remove the two oil seals.

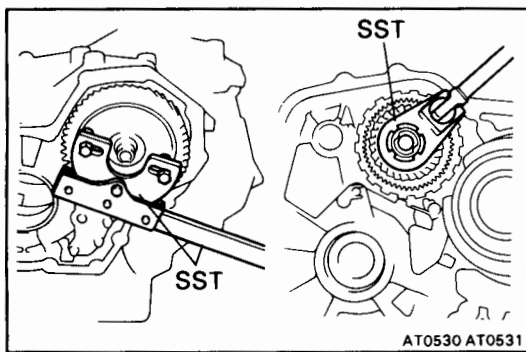
**58. REMOVE COUNTER SHAFT LOCK NUTS**

(a) Using a chisel and hammer, unstack the counter shaft lock nut on both sides.



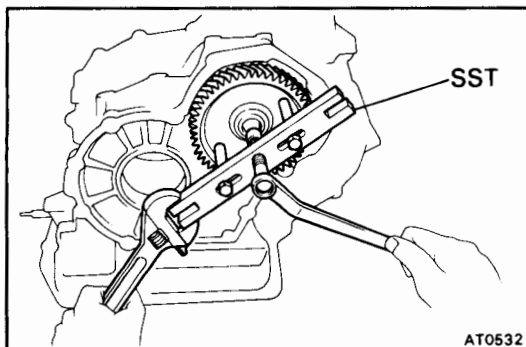
(b) Using SST, remove the lock nut of the driven gear side.

SST 09330-00021 and 09350-32013 (09351-32031)



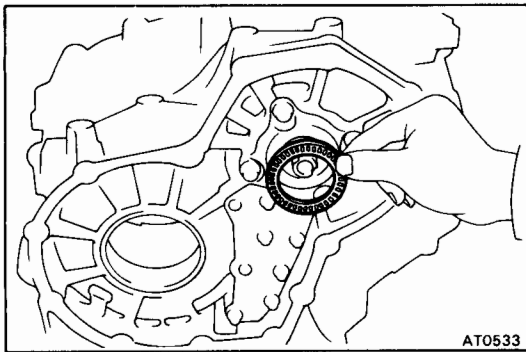
(c) Using SST to hold the driven gear, remove the lock nut the another side.

SST 09330-00021 and  
09350-32013 (09351-32031, 09351-32170)

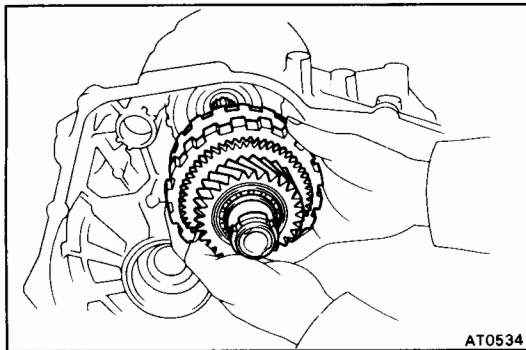
**59. REMOVE COUNTER DRIVEN GEAR**

Using SST, remove the driven gear.

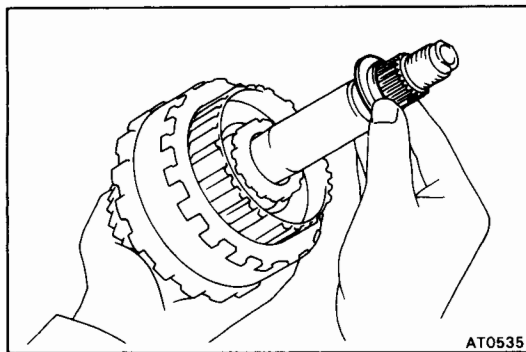
SST 09350-32013 (09351-32061)



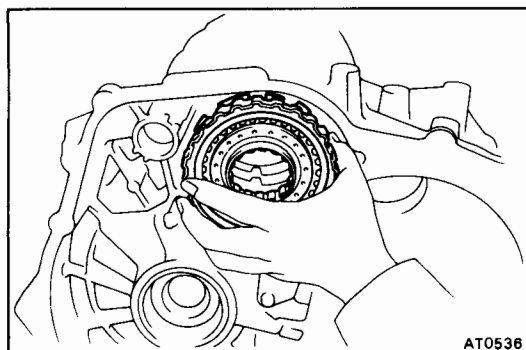
60. REMOVE THRUST NEEDLE BEARING



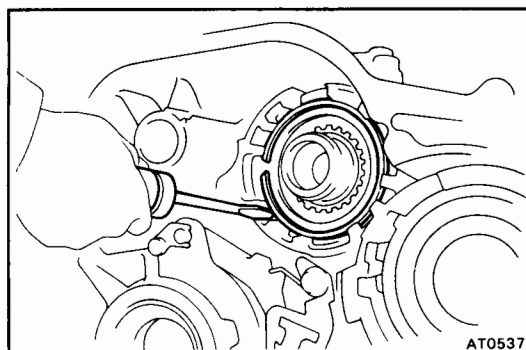
61. REMOVE COUNTER SHAFT ASSEMBLY AND ANTI-RATTLE CLIP



62. REMOVE THRUST BEARING WITH RACE

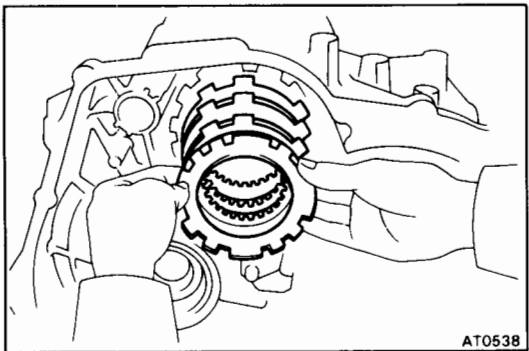


63. REMOVE UNDERDRIVE CLUTCH DRUM

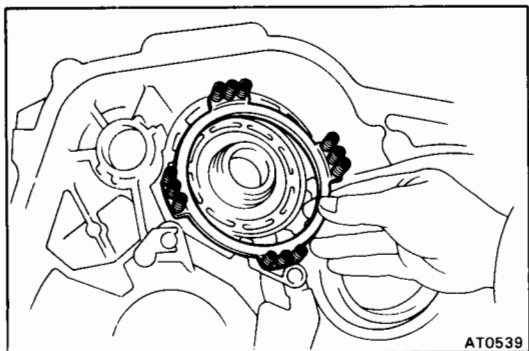


64. REMOVE SNAP RING

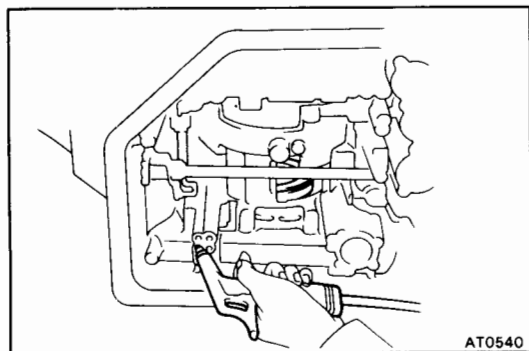
**CAUTION:** The snap ring is cushioned by a return spring, so when removing be careful that it does not fly off.



**65. REMOVE FLANGE, PLATES AND DISCS**

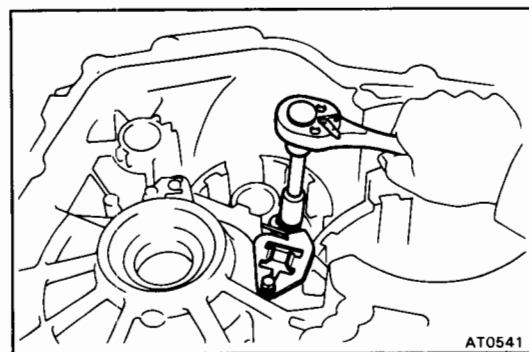


**66. REMOVE BRAKE RETURN SPRING**

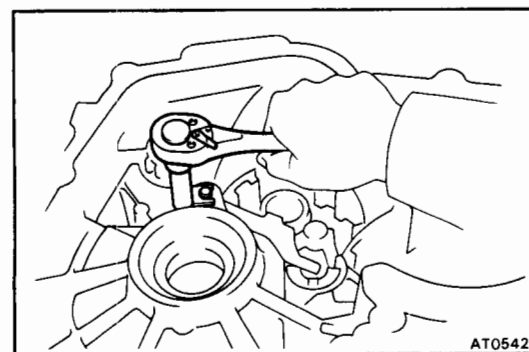


**67. REMOVE UNDERDRIVE BRAKE PISTON**

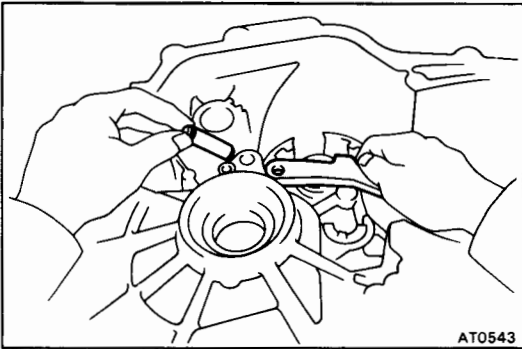
Using low-pressure compressed air (1 kg/cm<sup>2</sup>, 14 psi or 98 kPa), pop out the brake piston into a rag. Force air into the hole shown and remove the brake piston.



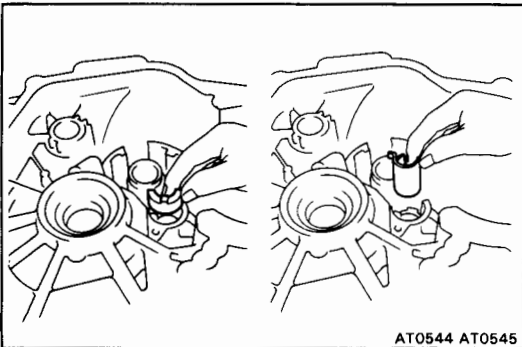
**68. REMOVE PARKING LOCK PAWL STOPPER PLATE, TORSION SPRING AND SPRING GUIDE**



**69. REMOVE PAWL SHAFT CLAMP**

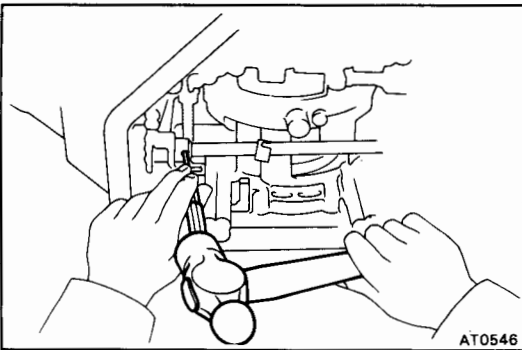


**70. REMOVE PARKING LOCK PAWL SHAFT AND LOCK PAWL**



**71. REMOVE PARKING LOCK SLEEVE**

**72. REMOVE CAM GUIDE BRACKET**

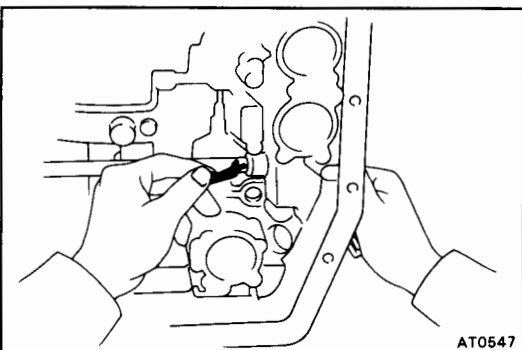


**73. REMOVE MANUAL VALVE SHAFT SPACER**

Unstake the spacer and remove it.

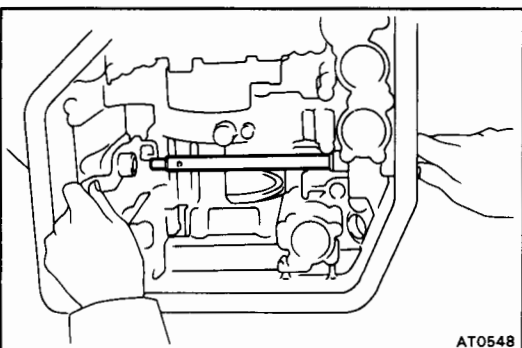
**74. REMOVE PIN**

Using a punch and hammer, drive out the pin.



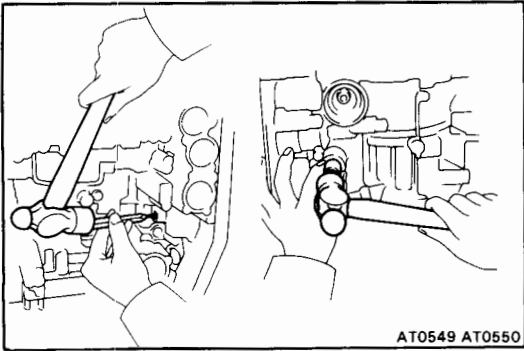
**75. REMOVE MANUAL VALVE SHAFT AND LEVER**

(a) Remove the retaining spring.



(b) Slide out the manual valve shaft and remove the manual valve lever and washer.

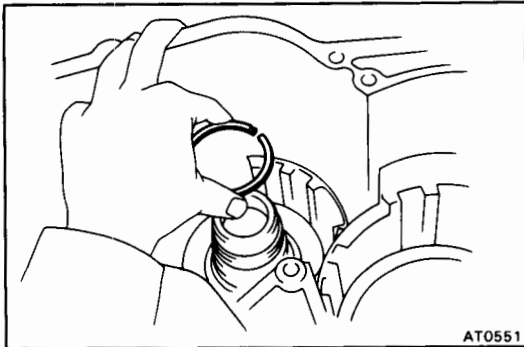




AT0549 AT0550

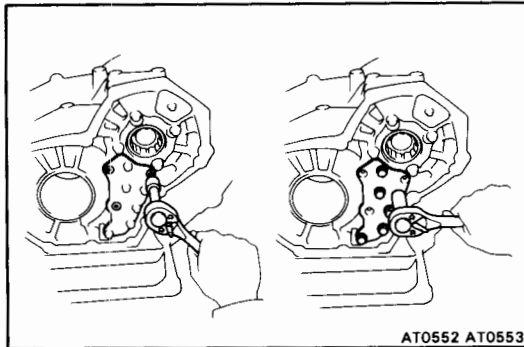
#### 76. IF NECESSARY, REPLACE OIL SEAL OF MANUAL SHAFT

- (a) Remove the oil seal with a punch.
- (b) Drive in a new oil seal.
- (c) Apply MP grease to the oil seal lip.



AT0551

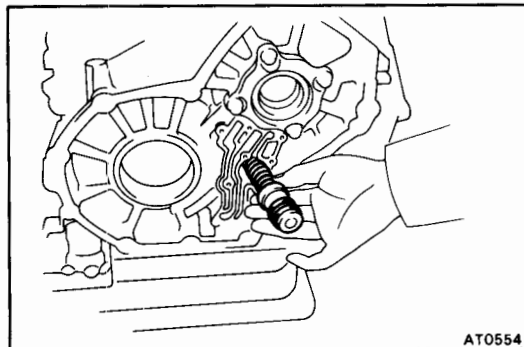
#### 77. REMOVE OIL SEAL RINGS



AT0552 AT0553

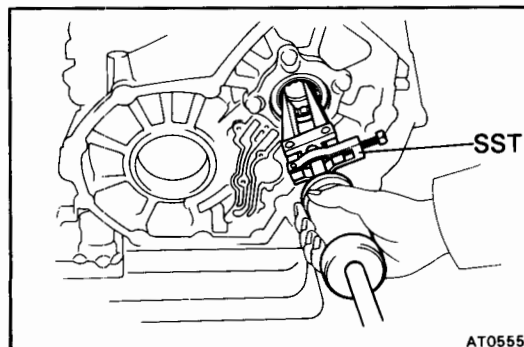
#### 78. REMOVE OIL GALLERY COVER AND GASKET

- (a) Remove the three screws and six bolts.
- (b) Remove the gallery cover and gasket.



AT0554

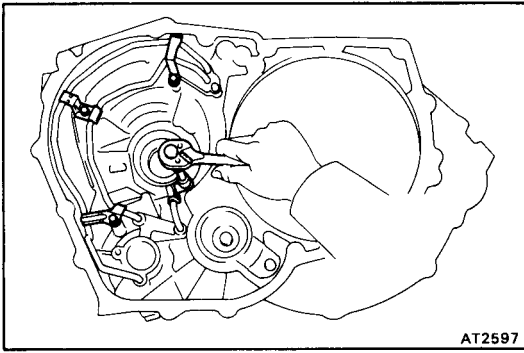
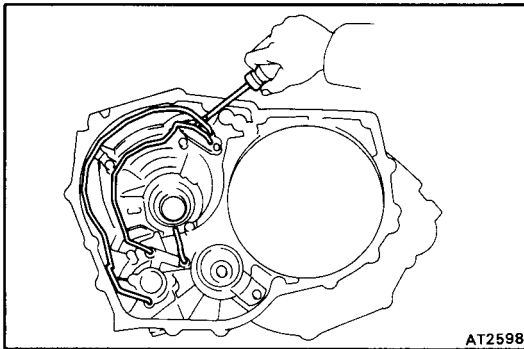
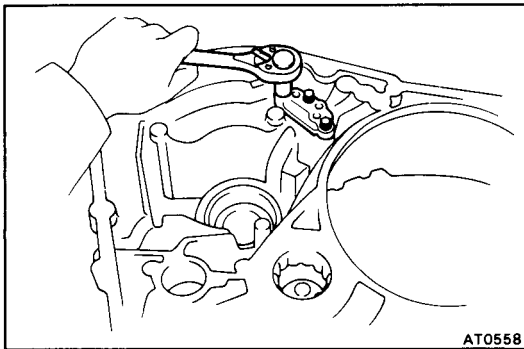
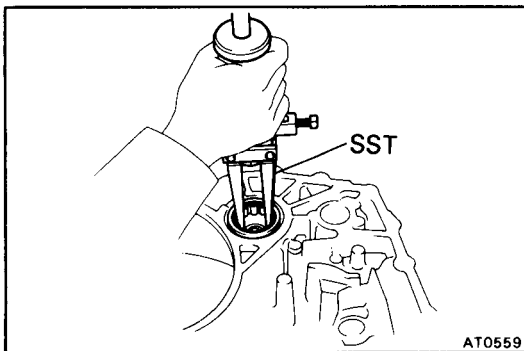
#### 79. REMOVE B<sub>1</sub> ACCUMULATOR PISTON AND SPRING



AT0555

#### 80. REMOVE BEARING

- Using SST, remove the bearing.  
SST 09308-00010

**81. REMOVE THE FOUR OIL TUBE CLAMPS****82. REMOVE OIL TUBES WITH SCREWDRIVER****83. REMOVE OIL TUBE APPLY COVER AND GASKET****84. REMOVE BEARING**

- (a) Remove the bearing stopper.
  - (b) Using SST, remove the bearing.
- SST 09308-00010

## COMPONENT GROUP DISASSEMBLY, INSPECTION AND ASSEMBLY

The instructions here are organized so that you work on only one component group at a time. This will help avoid confusion of similar-looking parts from different subassemblies being on your workbench at the same time.

The component groups are inspected and repaired from the converter housing side.

As much as possible, complete the inspection, repair and assembly before proceeding to the next component group. If a component group cannot be assembled because parts are being ordered, be sure to keep all parts of that group in a separate container while proceeding with disassembly, inspection, repair and assembly of other component groups.

**Recommended ATF DEXRON® II**

### GENERAL CLEANING NOTES:

1. All disassembled parts should be washed clean and the fluid passages and holes blown through with compressed air to make sure that they are not clogged.
2. The recommended automatic transmission fluid or kerosene should be used for cleaning.
3. When using compressed air to dry parts, keep face away to avoid spraying ATF or kerosene in your face.

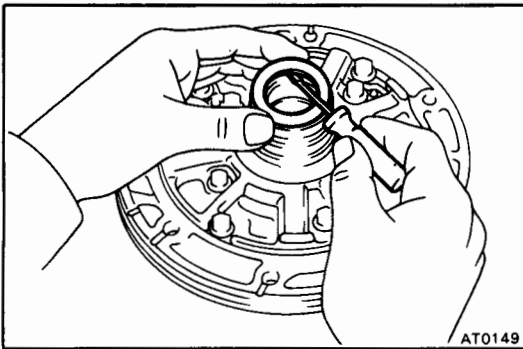
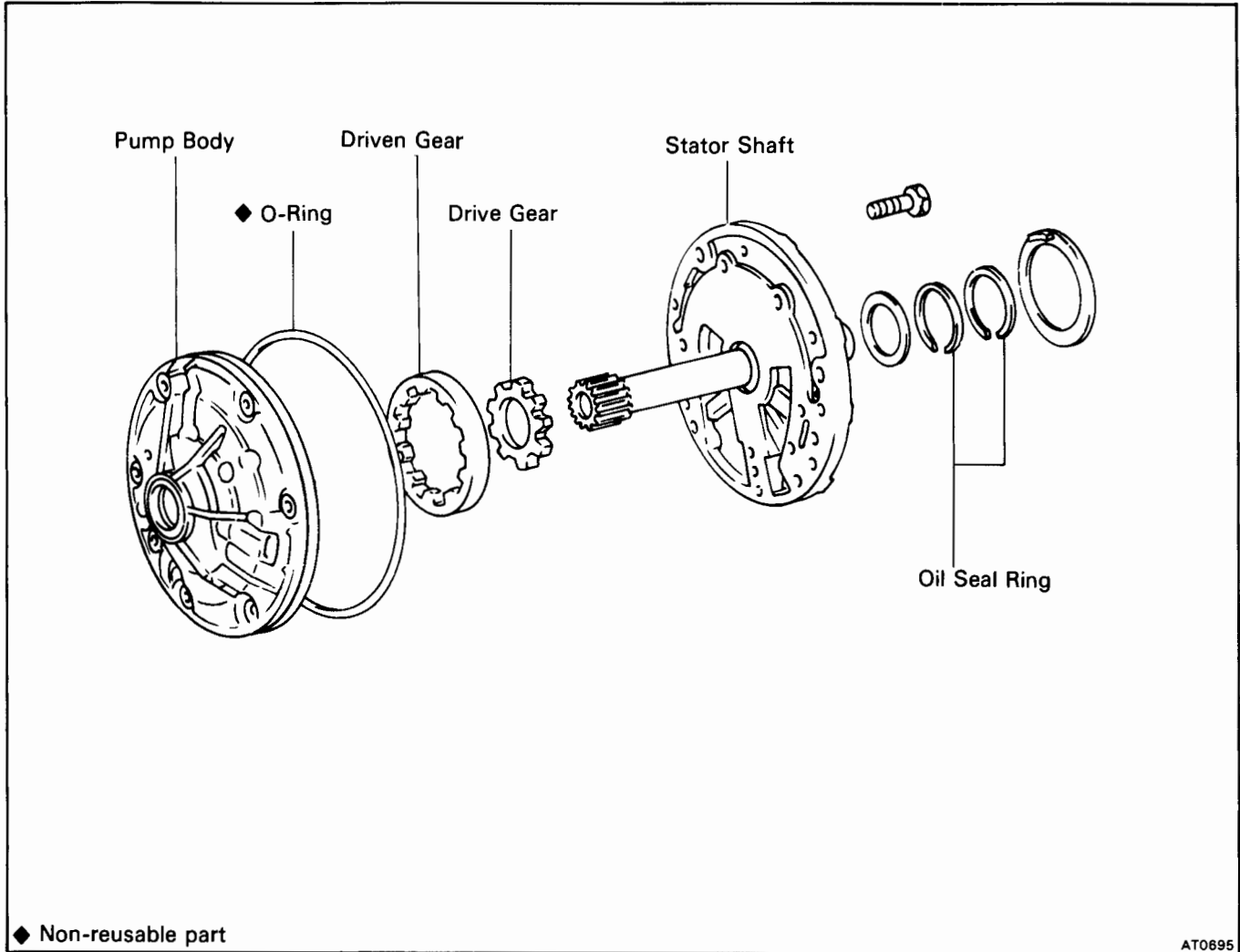
### PARTS ARRANGEMENT:

1. After cleaning, the parts should be arranged in proper order to allow performing inspection, repairs, and reassembly with efficiency.
2. When disassembling a valve body, be sure to keep each valve together with the corresponding spring.
3. New brakes and clutches that are to be used for replacement must be soaked in transmission fluid for at least two hours before assembly.

### GENERAL ASSEMBLY:

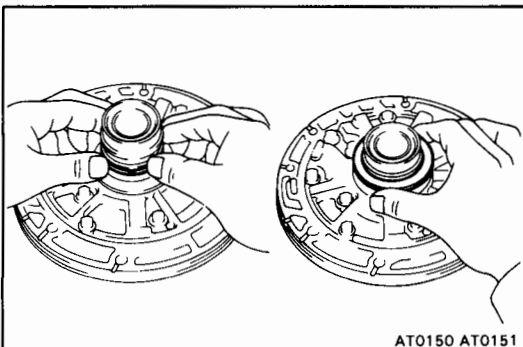
1. All oil seal rings, clutch discs, clutch plates, rotating parts, and sliding surfaces should be coated with transmission fluid prior to reassembly.
2. All gaskets and rubber O-rings should be replaced.
3. Make sure that the ends of a snap ring are not aligned with one of the cutouts and are installed in the groove correctly.
4. If a worn bushing is to be replaced, the subassembly containing that bushing must be replaced.
5. Check thrust bearings and races for wear or damage. Replace if necessary.
6. Use petroleum jelly to keep parts in place.

# Oil Pump

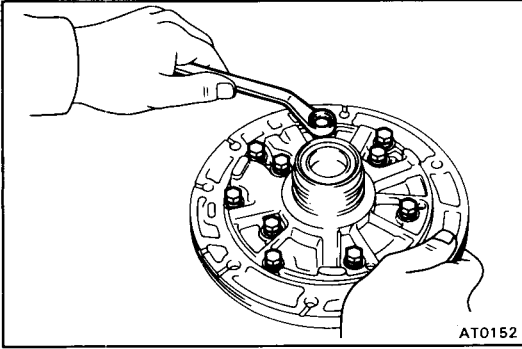


## DISASSEMBLY OF OIL PUMP

1. REMOVE RACE FROM STATOR SHAFT
2. REMOVE O-RING FROM PUMP BODY



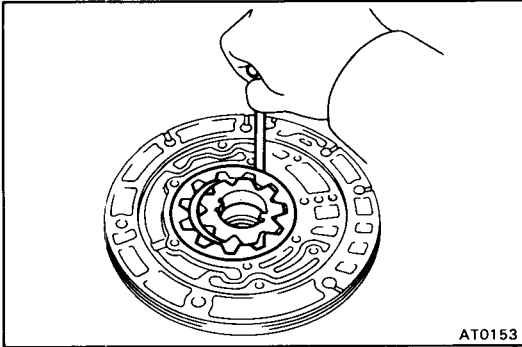
3. REMOVE TWO OIL SEAL RINGS FROM BACK OF STATOR SHAFT
4. REMOVE THRUST WASHER OF CLUTCH DRUM FROM STATOR SHAFT



AT0152

## 5. REMOVE STATOR SHAFT

Remove the eleven bolts and the stator shaft.  
Identify the top and bottom.  
Keep gears in assembly order.



AT0153

## INSPECTION OF OIL PUMP

### 1. CHECK BODY CLEARANCE OF DRIVEN GEAR

Push the driven gear to one side of the body.  
Using a feeler gauge, measure the clearance.

**Standard body clearance:** 0.07 – 0.15 mm  
(0.0028 – 0.0059 in.)

**Maximum body clearance:** 0.3 mm (0.012 in.)

If the body clearance is greater than the maximum, replace the drive gear, driven gear or pump body.

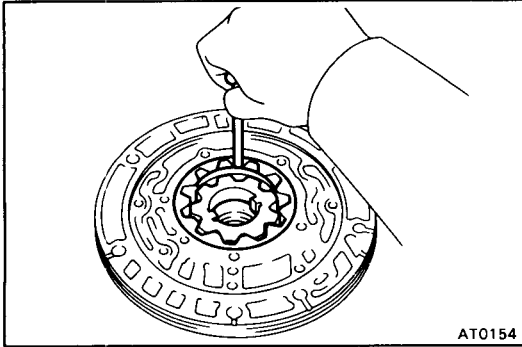
### 2. CHECK TIP CLEARANCE OF BOTH GEARS

Measure between the gear teeth and the crescent-shaped part of the pump body.

**Standard tip clearance:** 0.11 – 0.14 mm  
(0.0043 – 0.0055 in.)

**Maximum tip clearance:** 0.3 mm (0.012 in.)

If the tip clearance is greater than the maximum, replace the drive gear, driven gear or pump body.



AT0154

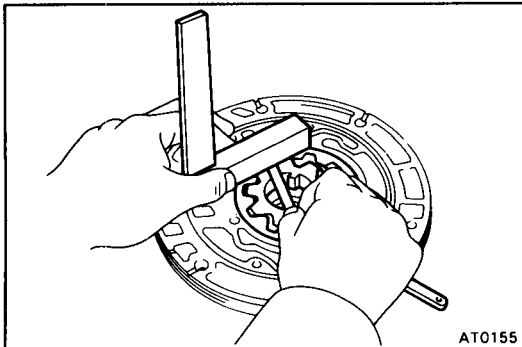
### 3. CHECK SIDE CLEARANCE OF BOTH GEARS

Using a steel straightedge and a feeler gauge, measure the side clearance of both gears.

**Standard side clearance:** 0.02 – 0.05 mm  
(0.0008 – 0.0020 in.)

**Maximum side clearance:** 0.1 mm (0.004 in.)

If the side clearance is greater than the maximum, replace the drive gear, driven gear or pump body.



AT0155

### 4. INSPECT FRONT OIL SEAL

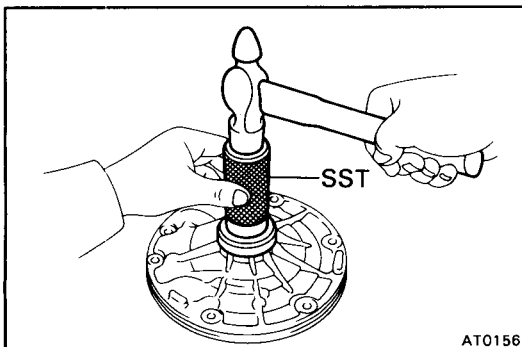
Check for wear, damage or cracks.

### 5. IF NECESSARY, REPLACE FRONT OIL SEAL

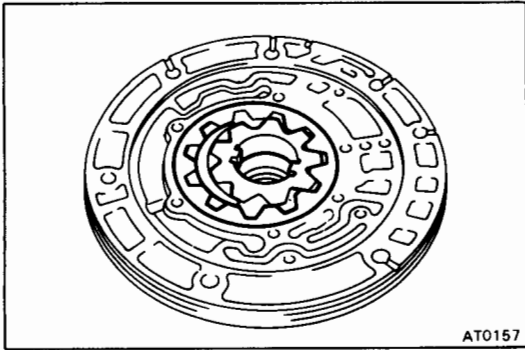
(a) Pry off the oil seal with a screwdriver.

(b) Using SST and a hammer, install a new oil seal. The seal end should be flush with the outer edge of the pump body.

SST 09350-32013 (09351-32140)



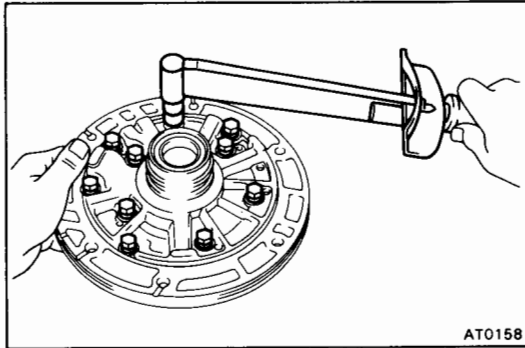
AT0156



## ASSEMBLY OF OIL PUMP (See page AT-71)

### 1. INSTALL DRIVEN GEAR AND DRIVE GEAR

Make sure the top of the gears are facing upward.

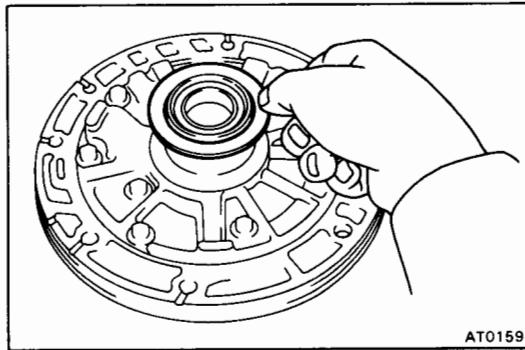


### 2. INSTALL STATOR SHAFT ONTO PUMP BODY

Align the stator shaft with each bolt hole.

### 3. TIGHTEN ELEVEN BOLTS

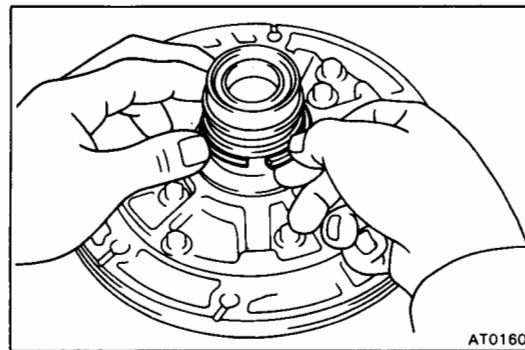
Torque: 100 kg-cm (7 ft-lb, 10 N·m)



### 4. INSTALL THRUST WASHER

(a) Coat the thrust washer with petroleum jelly.

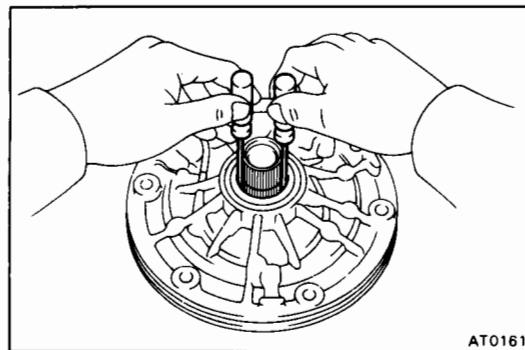
(b) Align the tab of the washer with the hollow of the pump body.



### 5. INSTALL THE TWO OIL SEAL RINGS ON OIL PUMP

**CAUTION:** Do not spread the ring ends too much.

**NOTE:** After installing the oil seal rings, check that they move smoothly.



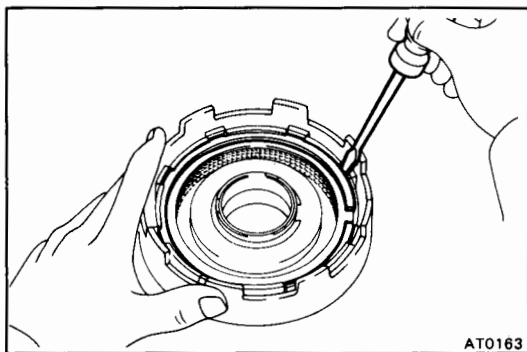
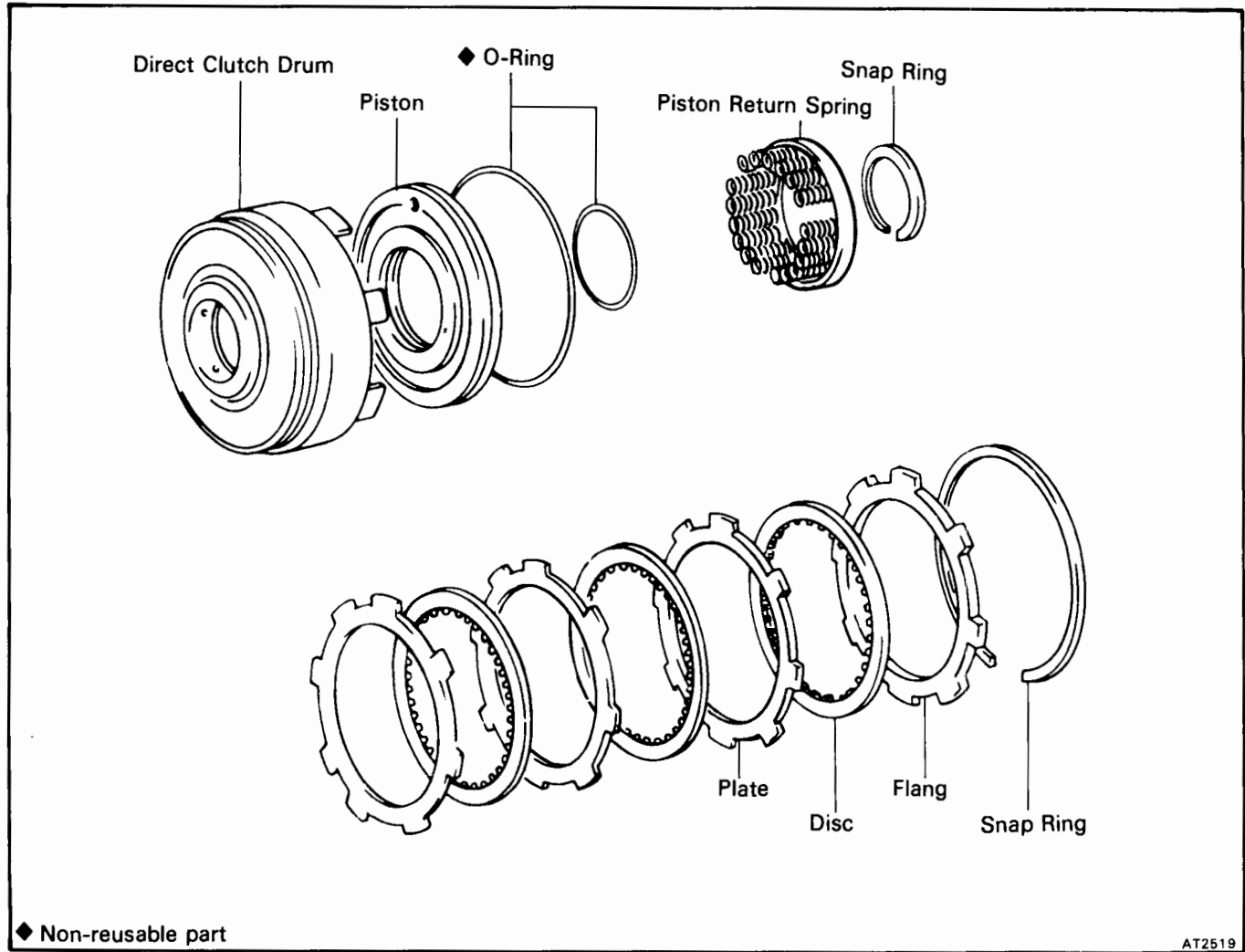
### 6. CHECK PUMP DRIVE GEAR ROTATION

Turn the drive gear with two screwdrivers and make sure that it rotates smoothly.

### 7. INSTALL NEW O-RING

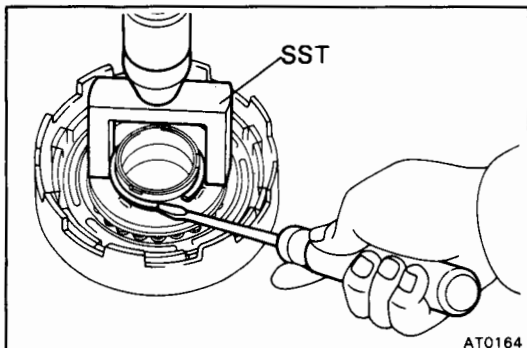
### 8. INSTALL RACE ONTO STATOR SHAFT

## Direct Clutch



### DISASSEMBLY OF DIRECT CLUTCH

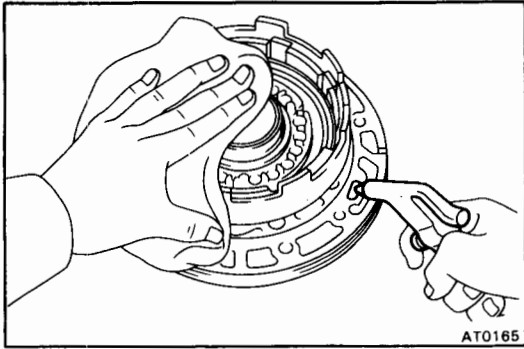
1. REMOVE SNAP RING FROM CLUTCH DRUM
2. REMOVE FLANGE, DISCS AND PLATES



3. COMPRESS PISTON RETURN SPRING AND REMOVE SNAP RING

Place SST on the spring retainer and compress the spring with a press. Using a screwdriver, remove the snap ring.  
SST 09350-32013 (09351-32070)

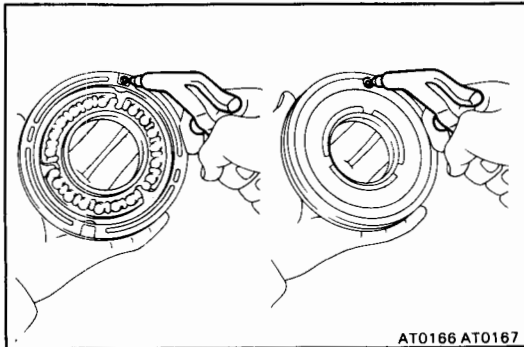
4. REMOVE PISTON RETURN SPRING



**5. ASSEMBLE DIRECT CLUTCH ON OIL PUMP AND BLOW OUT PISTON**

- (a) Slide the direct clutch onto the oil pump.
- (b) Apply compressed air to the oil pump to remove the piston. (If the piston does not come out completely, use needle-nose pliers to remove it.)
- (c) Remove the direct clutch from the oil pump.

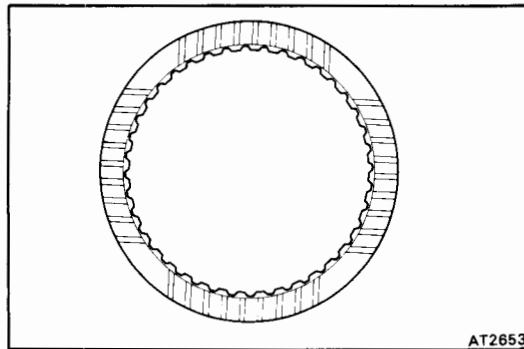
**6. REMOVE CLUTCH PISTON O-RING**



**INSPECTION OF DIRECT CLUTCH**

**1. INSPECT CLUTCH PISTON**

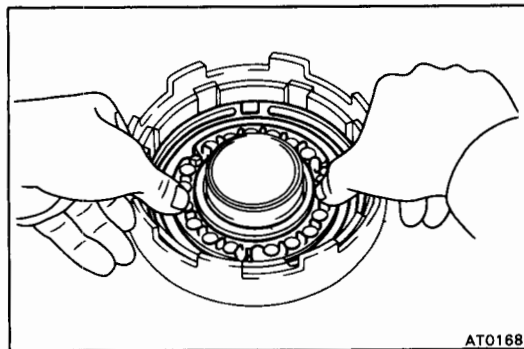
- (a) Check that check ball is free by shaking the piston.
- (b) Check that the valve does not leak by applying low-pressure compressed air.



**2. INSPECT DISC, PLATE AND FLANGE**

Check that the sliding surface of disc is not worn or burnt. If the disc is worn or burnt, replace all discs. Then check that the sliding surfaces of plate and flange are not worn or burnt. If necessary, replace them.

**NOTE:** Do not allow the discs to dry out. Prepare new discs by soaking them at least two hours in ATF.



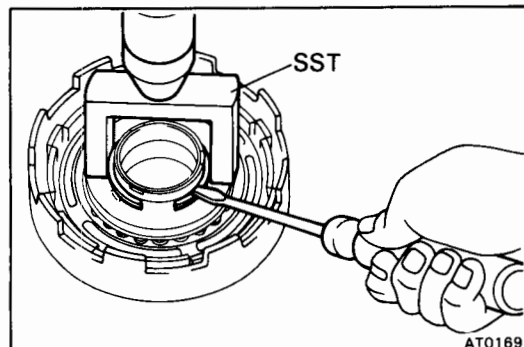
**ASSEMBLY OF DIRECT CLUTCH**

(See page AT-74)

**1. INSTALL CLUTCH PISTON IN DIRECT CLUTCH DRUM**

- (a) Install new O-rings on the piston. Coat the O-rings with ATF
- (b) Being careful not to damage the O-ring, press the piston into the drum with the cup side up.

**2. INSTALL PISTON RETURN SPRING AND SET SNAP RING IN PLACE**



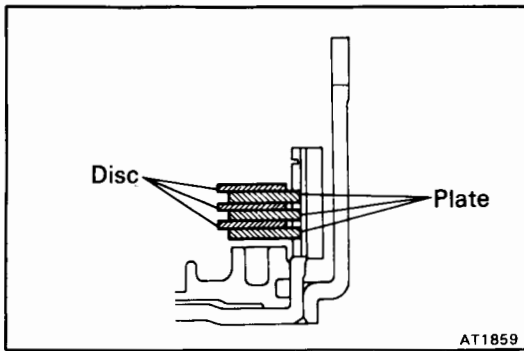
**3. COMPRESS RETURN SPRING AND INSTALL SNAP RING IN GROOVE**

- (a) Place SST on the spring retainer, and compress the spring with a press.

SST 09350-32013 (09351- 32070)

- (b) Install the snap ring with a screwdriver. Be sure the end gap of snap ring is not aligned with the spring retainer claw.



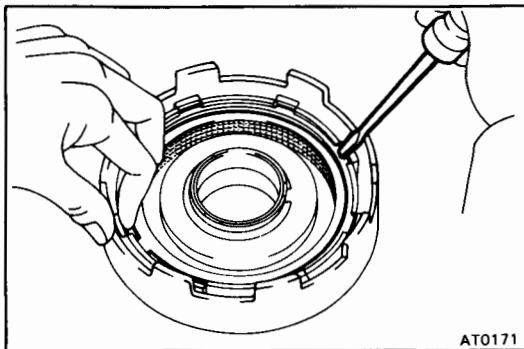


#### 4. INSTALL PLATES, DISCS AND FLANGE

Install in order:

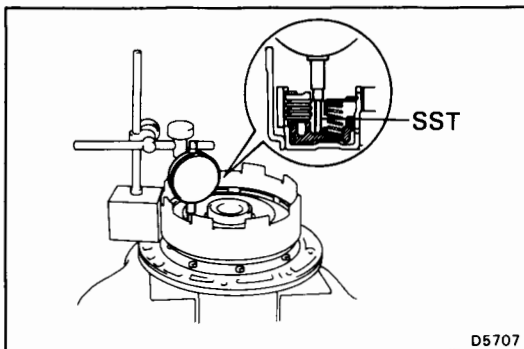
Plate-disc-plate-disc-plate-disc

Then install the flange, facing the flat end downward.



#### 5. INSTALL OUTER SNAP RING

Check that the end gap of the snap ring is not aligned with one of cutouts.



#### 6. CHECK PISTON STROKE OF DIRECT CLUTCH

If replacing the disc, plate or flange, check the piston stroke.

- (a) Install the direct clutch on the oil pump.
- (b) Using a dial indicator (long type pick or SST), measure the direct clutch piston stroke applying and releasing the compressed air (4 – 8 kg/cm<sup>2</sup>, 57 – 114 psi or 392 – 785 kPa) as shown.

SST 09350-32013 (09351-32190)

**Piston stroke:**

**1.13 – 1.50 mm (0.0445 – 0.0591 in.)**

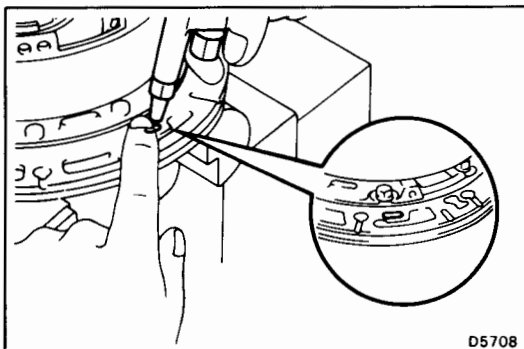
If the piston stroke is less than the limit, parts may be misassembled and reinstall them.

If the piston stroke nonstandard, select another flange.

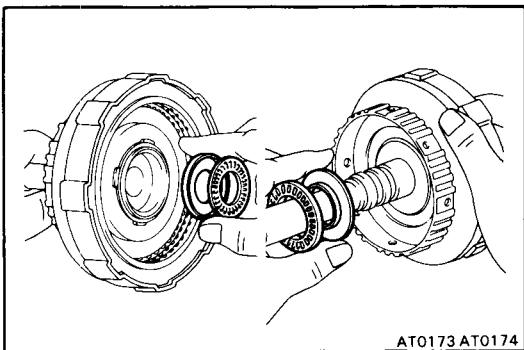
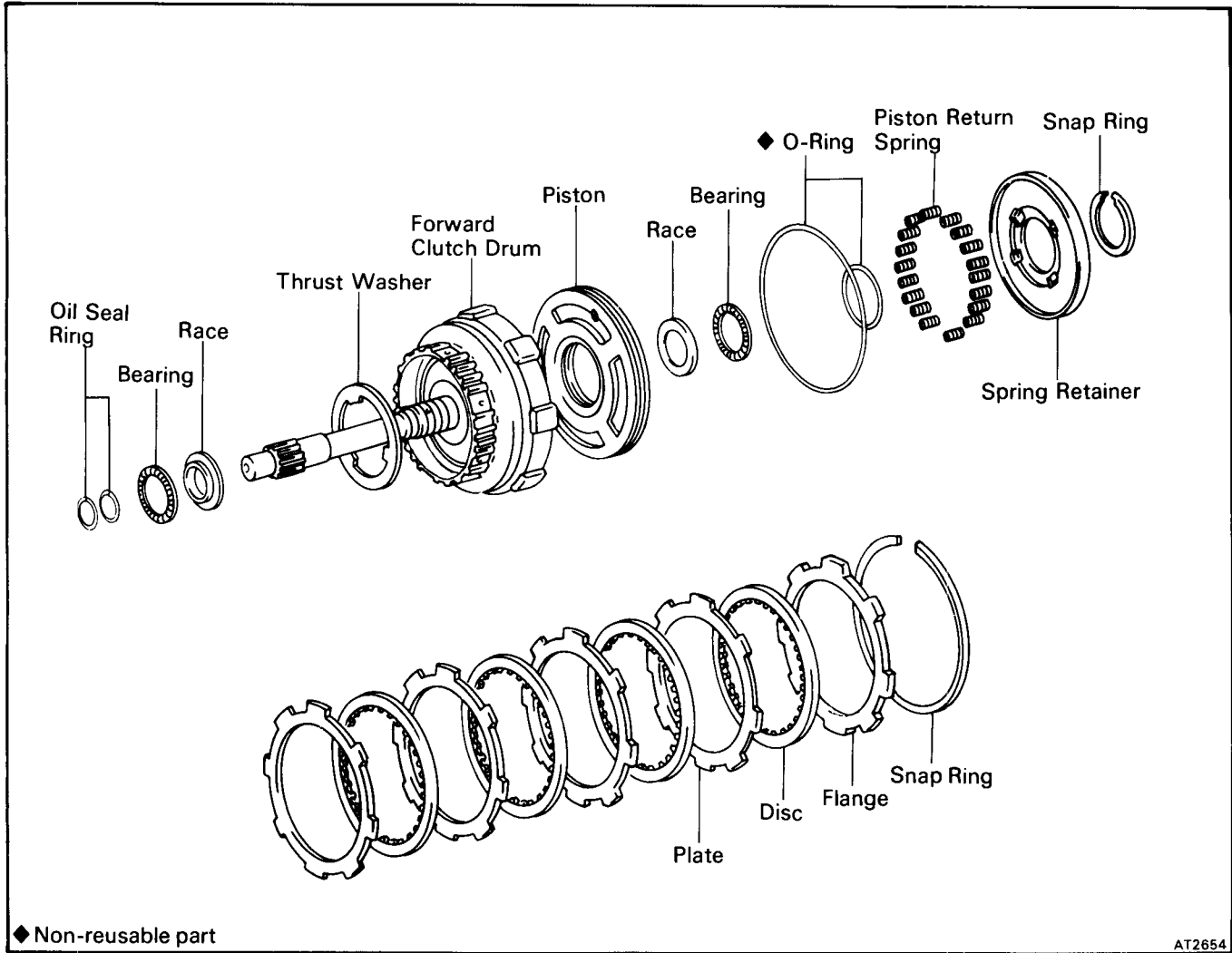
**NOTE:** There are two different flange thickness.

**Flange thickness: 2.60 mm (0.1024 in.)**

**3.00 mm (0.1181 in.)**



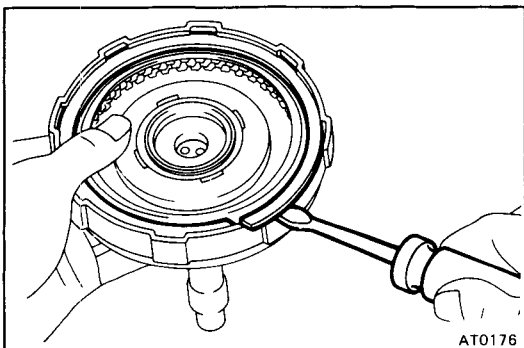
## Forward Clutch



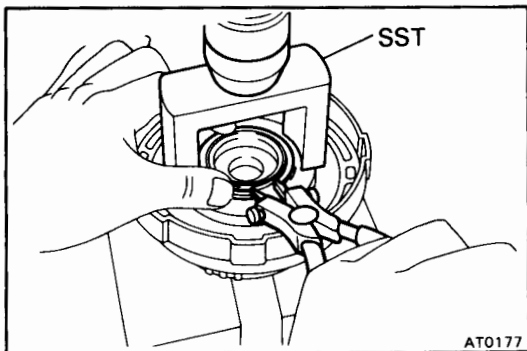
### DISASSEMBLY OF FORWARD CLUTCH

1. REMOVE THRUST BEARINGS AND RACES FROM BOTH SIDES OF CLUTCH

Note the position of the races.



2. REMOVE SNAP RING FROM CLUTCH DRUM
3. REMOVE FLANGE, DISCS AND PLATES



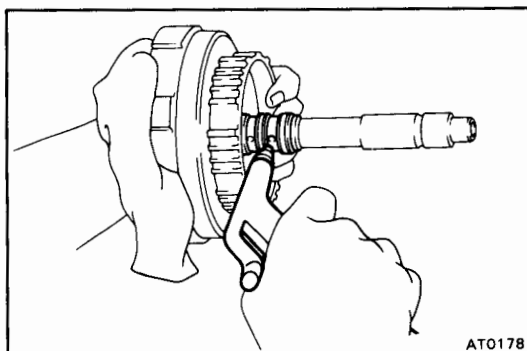
#### 4. COMPRESS PISTON RETURN SPRINGS AND REMOVE SNAP RING

- (a) Place SST on the spring retainer and compress the springs with a press.

SST 09350-32013 (09351-32070)

- (b) Remove the snap ring with snap ring pliers.

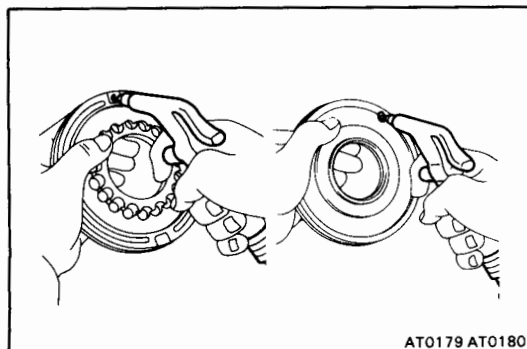
#### 5. REMOVE SPRING RETAINER AND THE EIGHTEEN SPRINGS



#### 6. BLOW OUT PISTON

Apply compressed air into the oil passage to remove the piston.

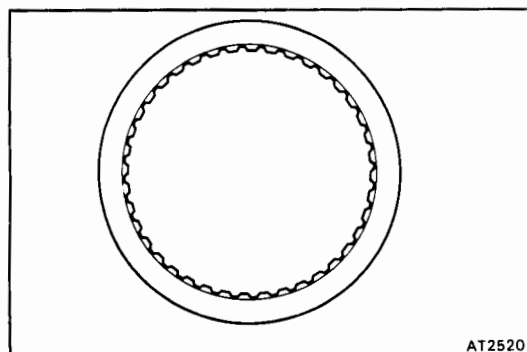
If the piston does not come out, use needle-nose pliers to remove it.



### INSPECTION OF FORWARD CLUTCH

#### 1. INSPECT CLUTCH PISTON

- (a) Check that the check ball is free by shaking the piston.
- (b) Check that valve does not leak by applying low-pressure compressed air.



#### 2. INSPECT DISC, PLATE AND FLANGE

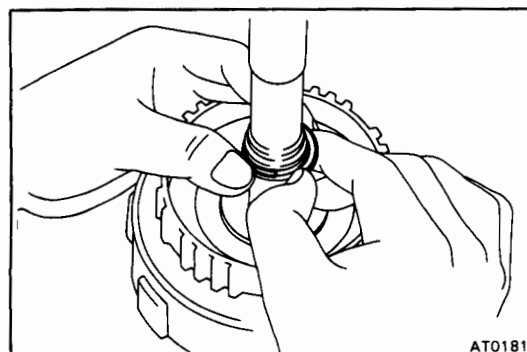
Check that the sliding surfaces of disc is worn or burnt. If the disc is worn or burnt, replace all discs.

Then check that the sliding surfaces of plate and flange are not worn or burnt.

If necessary, replace them.

**NOTE:** Do not allow the discs to dry out.

Prepare new discs by soaking them at least two hours in ATF.

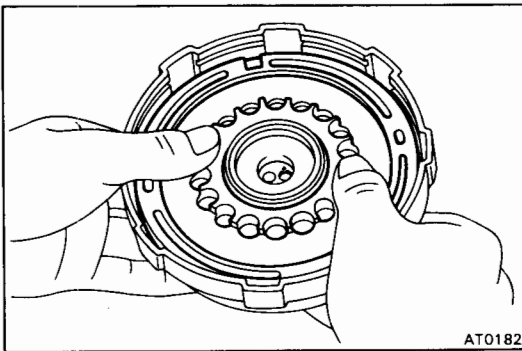


#### 3. REPLACE OIL SEAL RINGS

- (a) Remove the oil seal rings.
- (b) Spread the rings apart and install them into the groove.

**CAUTION:** Do not spread the ring ends more than necessary.

**NOTE:** After installing the oil seal rings, check that they move smoothly.



AT0182

## ASSEMBLY OF FORWARD CLUTCH

(See page AT-77)

### 1. INSTALL NEW O-RINGS ON PISTON

Coat the O-ring with ATF.

### 2. INSTALL PISTON IN FORWARD CLUTCH DRUM

Press the piston into the drum with the cup side up, being careful not to damage the O-ring.

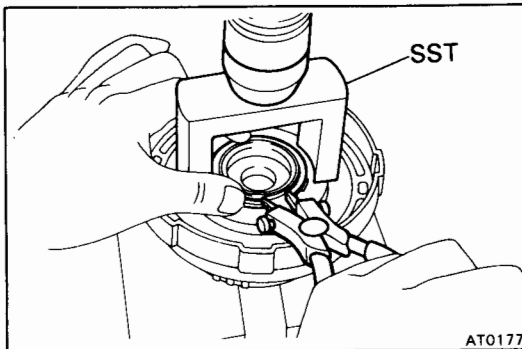
### 3. INSTALL THE EIGHTEEN PISTON RETURN SPRINGS, SPRING RETAINER AND SNAP RING IN PLACE

### 4. COMPRESS RETURN SPRINGS AND INSTALL SNAP RING IN GROOVE

(a) Place SST on the spring retainer, and compress the springs with a press.

SST 09350-32013 (09351-32070)

(b) Install the snap ring. Be sure the end gap of snap ring is not aligned with the spring retainer claw.



AT0177

### 5. INSTALL PLATES, DISCS AND FLANGE

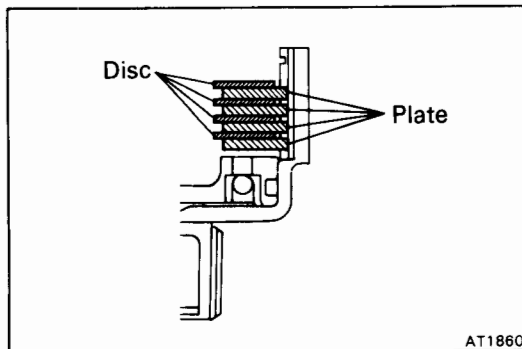
Install in order:

Plate-disc-plate-disc-plate-disc-plate-disc

Then install the flange facing the flat end downward.

### 6. INSTALL OUTER SNAP RING

Check that the end gap of snap ring is not aligned with one of the cutouts.



AT1860

### 7. CHECK PISTON STROKE OF FORWARD CLUTCH

If replacing the disc, plate or flange, check the piston stroke.

Using a dial indicator (long type pick or SST), measure the forward clutch piston stroke applying and releasing the compressed air (4 – 8 kg/cm<sup>2</sup>, 57 – 114 psi or 392 – 785 kPa) as shown.

SST 09350-32013 (09351-32190)

**Piston stroke:**

**1.42 – 1.81 mm (0.0559 – 0.0713 in.)**

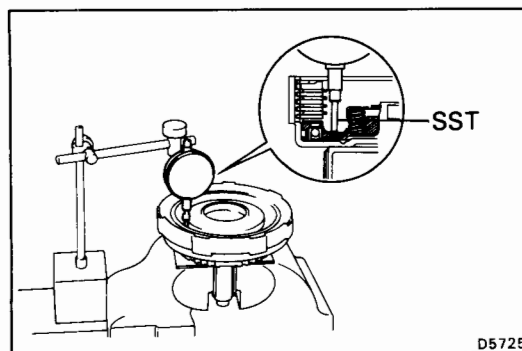
If the piston stroke is less than the limit, parts may be misassembled and reinstall them. If the piston stroke non-standard, select another flange.

NOTE: There are two different flange thickness.

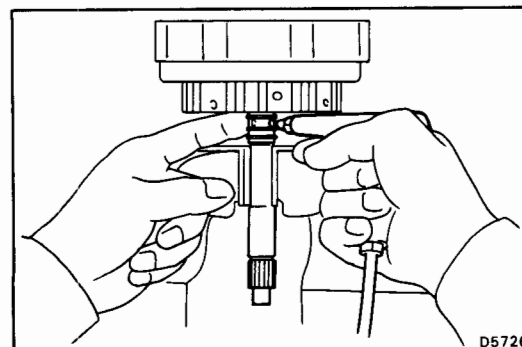
**Flange thickness: 3.00 mm (0.1181 in.)**

**3.37 mm (0.1327 in.)**

### 8. INSTALL THRUST WASHER, RACES AND BEARINGS

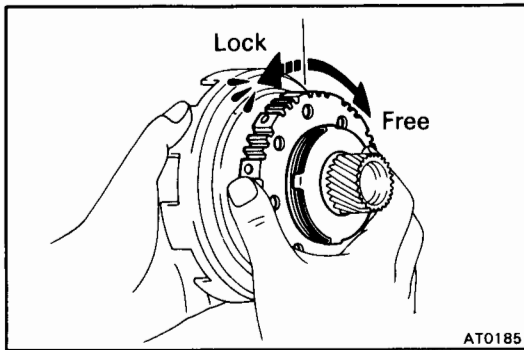
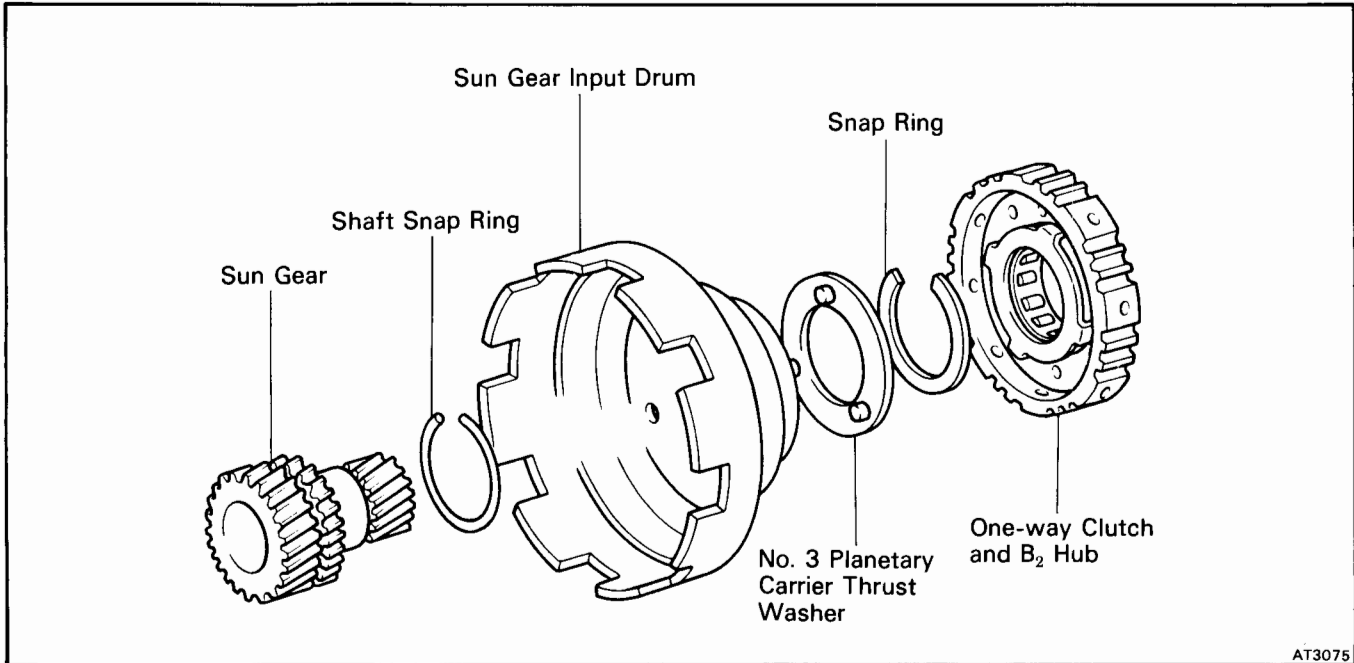


D5725



D5726

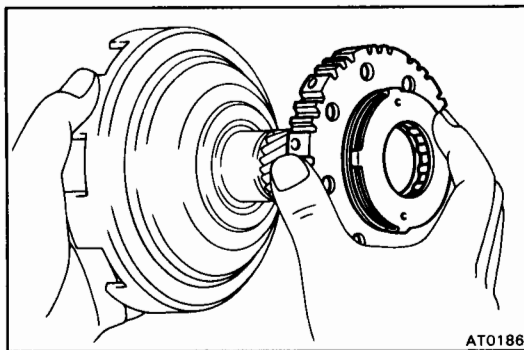
## No. 1 One-way Clutch and Sun Gear



### DISASSEMBLY OF NO. 1 ONE-WAY CLUTCH AND SUN GEAR

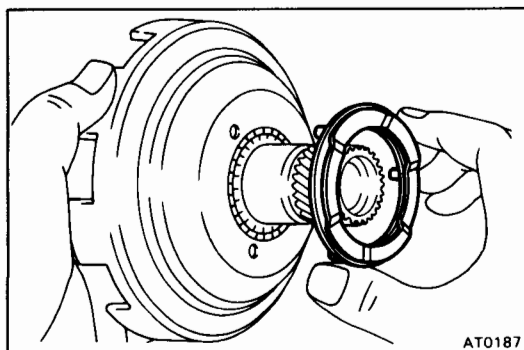
#### 1. CHECK OPERATION OF ONE-WAY CLUTCH

Hold the sun gear and turn the hub.  
The hub should turn freely clockwise and should lock counterclockwise.

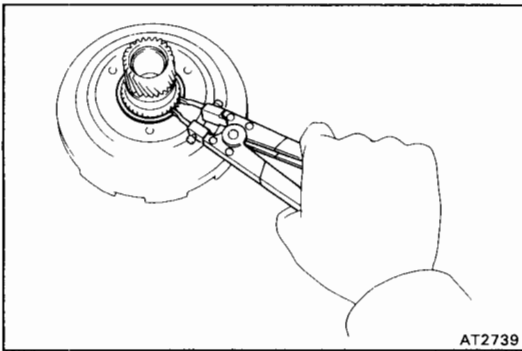


#### 2. REMOVE SECOND BRAKE HUB AND ONE-WAY CLUTCH FROM SUN GEAR

While turning the hub clockwise, remove the one-way clutch from the sun gear.

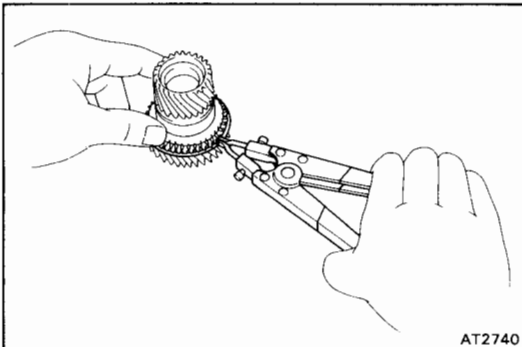


#### 3. REMOVE NO. 3 PLANETARY CARRIER THRUST WASHER FROM SUN GEAR INPUT DRUM



**4. REMOVE SUN GEAR FROM DRUM**

- (a) Using the snap ring pliers, remove the snap ring from the drum.
- (b) Remove the sun gear from the drum.

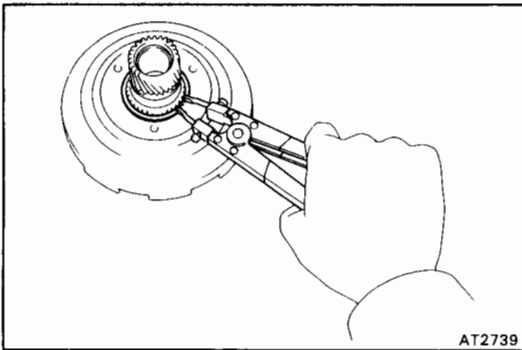


**5. REMOVE SHAFT SNAP RING**

Using the snap ring pliers, remove the shaft snap ring from the sun gear.

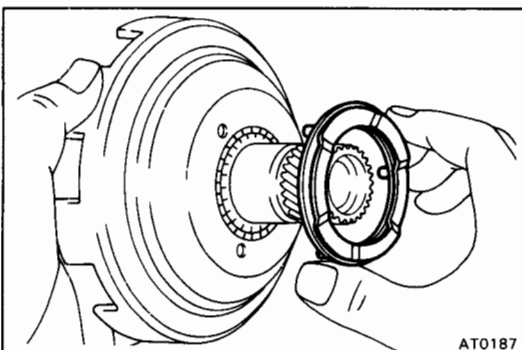
**ASSEMBLY OF NO. 1 ONE-WAY CLUTCH AND SUN GEAR**

**1. INSTALL SHAFT SNAP RING TO SUN GEAR**

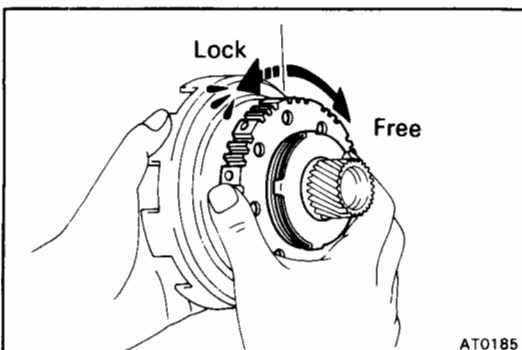


**2. INSTALL SUN GEAR TO DRUM**

- (a) Install the sun gear to the drum.
- (b) Using the snap ring pliers, install the snap ring to the drum.



**3. INSTALL THRUST WASHER TO SUN GEAR INPUT DRUM**

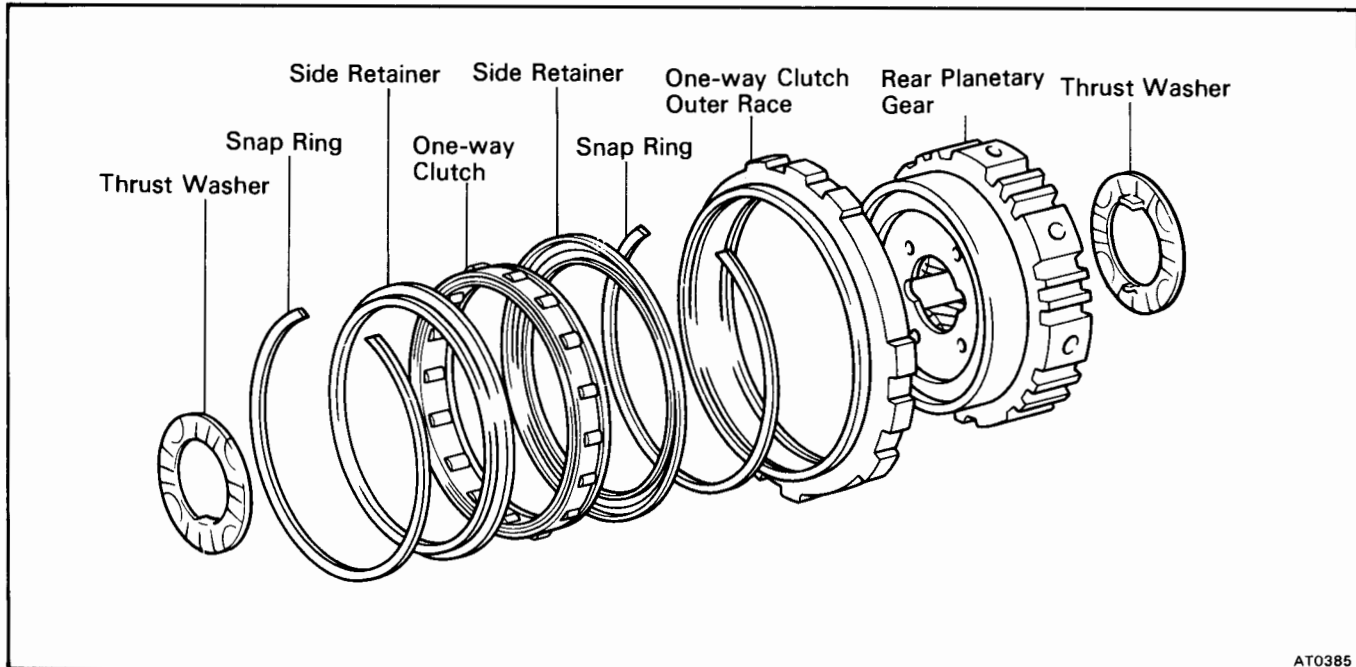


**4. INSTALL ONE-WAY CLUTCH AND SECOND BRAKE HUB ON SUN GEAR**

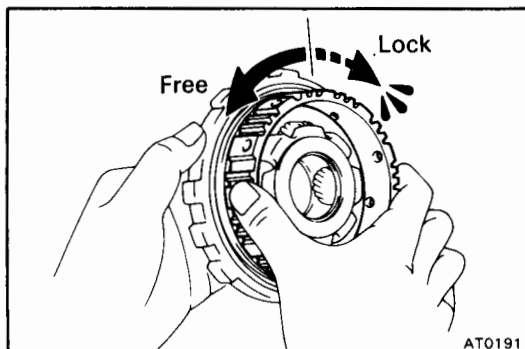
While turning the hub clockwise, slide the one-way clutch onto the sun gear.

**5. RECHECK OPERATION OF NO. 1 ONE-WAY CLUTCH**

## No. 2 One-way Clutch and Rear Planetary Gear



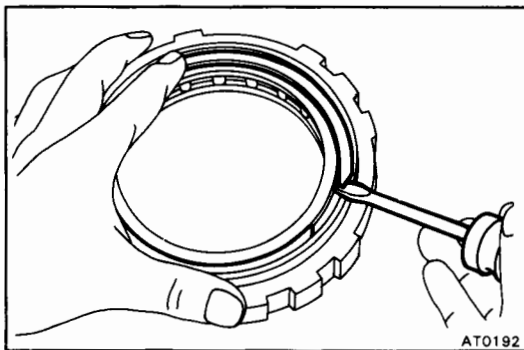
AT0385



AT0191

### DISASSEMBLY OF ONE-WAY CLUTCH

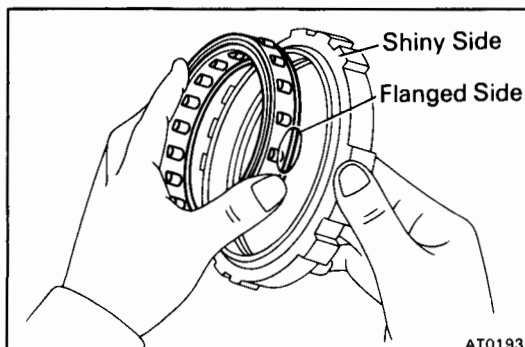
1. **CHECK OPERATION OF ONE-WAY CLUTCH**  
Hold the outer race and turn the hub.  
The hub should turn freely counterclockwise and should lock clockwise.
2. **REMOVE NO. 2 PLANETARY CARRIER THRUST WASHER FROM BOTH SIDES OF CARRIER**
3. **DISASSEMBLE ONE-WAY CLUTCH**  
Remove the hub and the planetary gear from the one-way clutch.
4. **REMOVE SNAP RING ON BOTH SIDES AND TWO SIDE RETAINERS**
5. **REMOVE ONE-WAY CLUTCH FROM OUTER RACE**



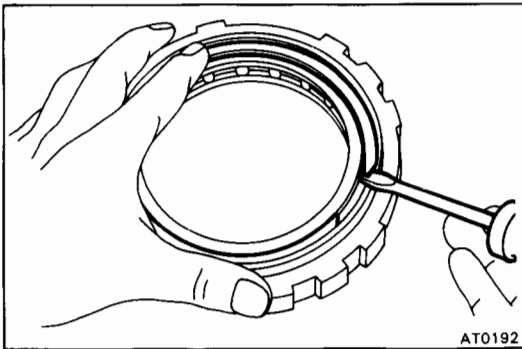
AT0192

### ASSEMBLY OF ONE-WAY CLUTCH

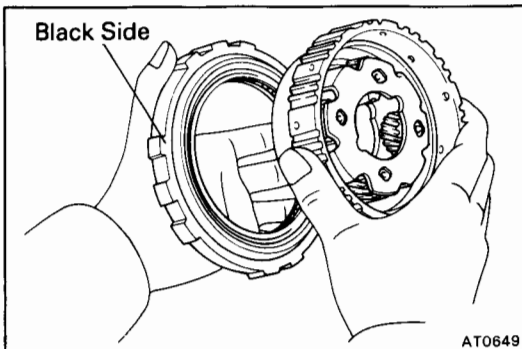
1. **INSTALL ONE-WAY CLUTCH**  
Install the one-way clutch into the outer race, facing the flanged side of one-way clutch toward the shiny side of outer race.



AT0193

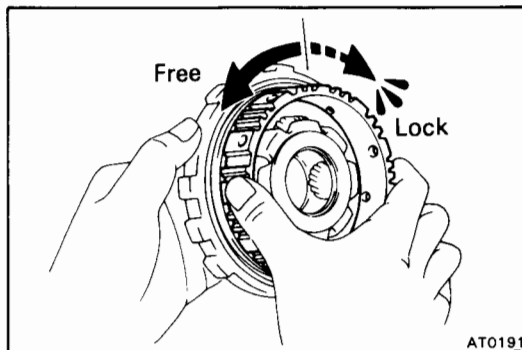


**2. INSTALL BOTH RETAINERS AND TWO SNAP RINGS**



**3. INSTALL REAR PLANETARY GEAR INTO ONE-WAY CLUTCH**

Install the planetary gear into the one-way clutch, facing the inner race of planetary gear toward the black side of the one-way clutch outer race.



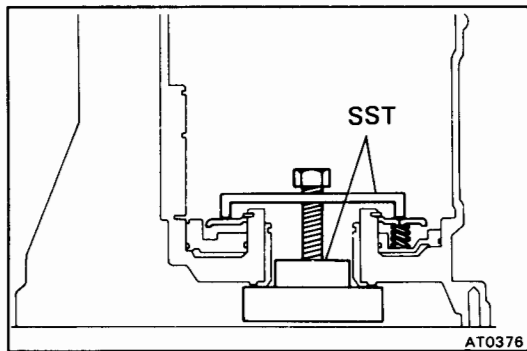
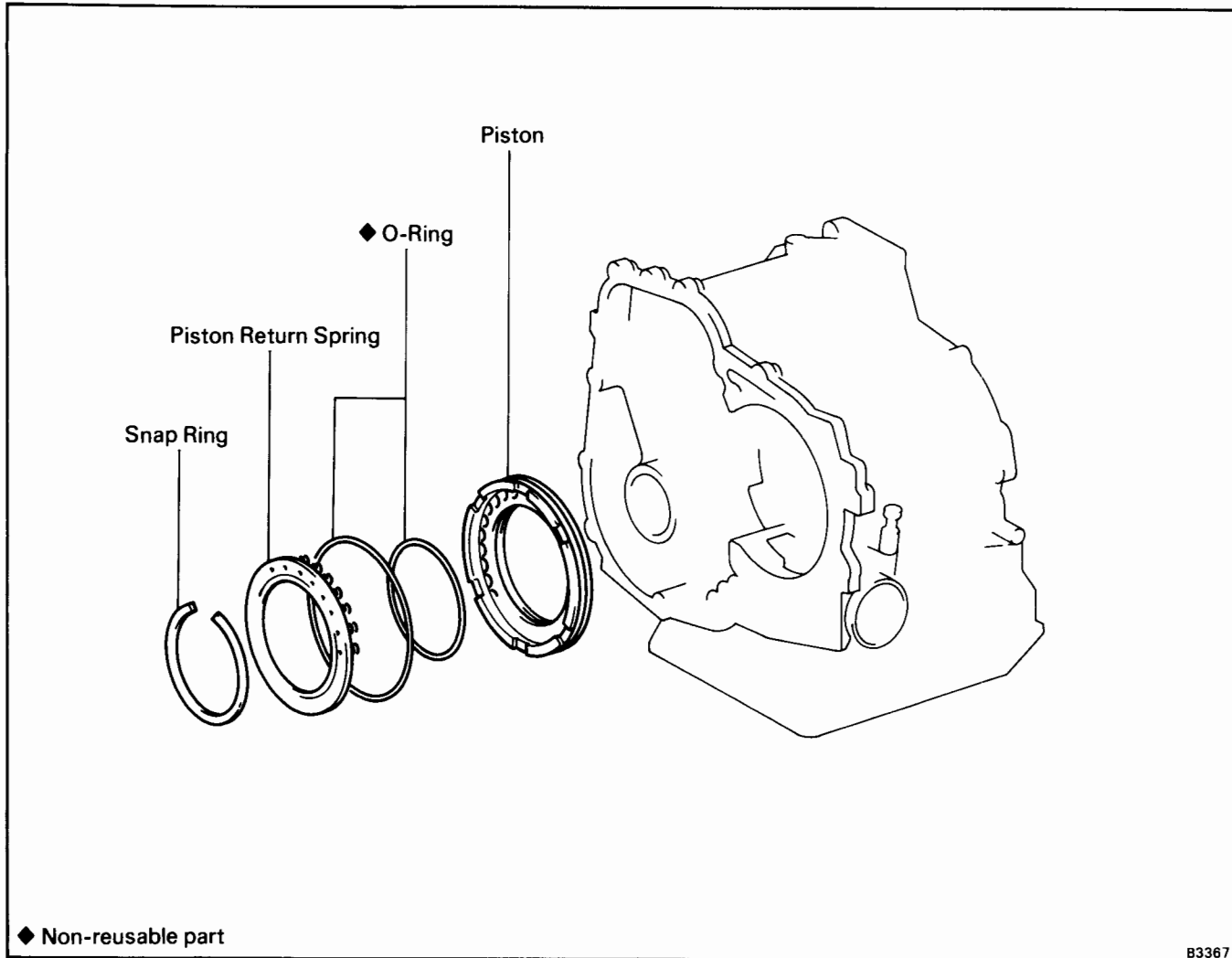
**4. CHECK OPERATION OF ONE-WAY CLUTCH**

**5. INSTALL NO. 2 PLANETARY CARRIER THRUST WASHERS ONTO BOTH SIDES OF CARRIER**

- (a) Coat the thrust washers with petroleum jelly.
- (b) Align the tab of the washers with the hollow of the carrier.



## First and Reverse Brake Piston



### DISASSEMBLY OF FIRST AND REVERSE BRAKE PISTON

#### 1. COMPRESS RETURN SPRINGS AND REMOVE SPRING RETAINER SNAP RING

(a) Install SST. Tighten the bolt gradually and evenly to compress the springs with SST.

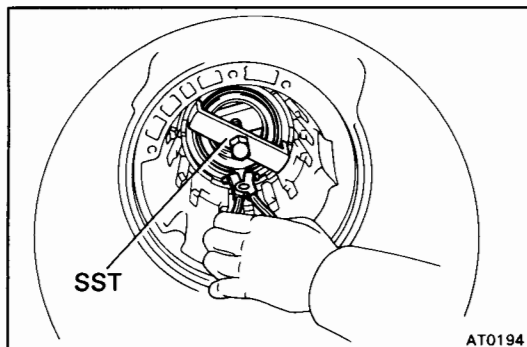
SST 09350-32013 (09351-32040)

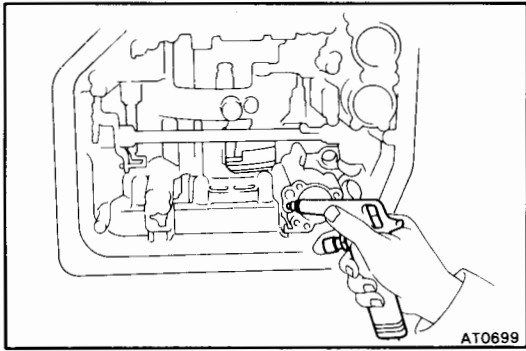
(b) Using snap ring pliers, remove the snap ring.

(c) Remove SST.

SST 09350-32013 (09351-32040)

#### 2. REMOVE SNAP RING AND RETURN SPRING ASSEMBLY





### 3. REMOVE PISTON FROM TRANSMISSION CASE WITH COMPRESSED AIR

- (a) Apply compressed air into the oil passage of the case to remove the piston.

NOTE: Hold the piston so it is not slanted and then blow with the gun slightly away from the oil hole.

- (b) If the piston does not pop out with compressed air, use needle-nose pliers to remove it.

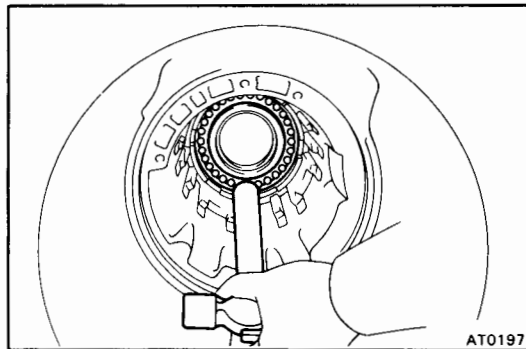
### 4. REMOVE O-RINGS FROM PISTON

## ASSEMBLY OF FIRST AND REVERSE BRAKE PISTON

(See page AT-84)

### 1. INSTALL NEW O-RINGS ON PISTON

Coat the O-rings with ATF.



### 2. INSTALL PISTON IN TRANSMISSION CASE

Push the piston into the bore of the case, facing the spring seats upward.

### 3. PLACE SST BASE UNDER CASE

SST 09350-32013 (09351-32040)

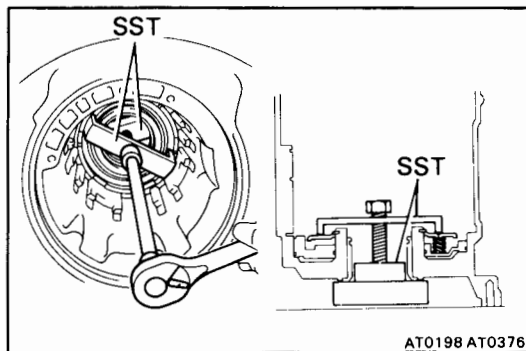
### 4. INSTALL PISTON RETURN SPRING ASSEMBLY, SST AND SNAP RING IN PLACE

### 5. COMPRESS PISTON RETURN SPRINGS TO ALLOW INSTALLATION OF SNAP RING

**CAUTION:** Avoid bending the spring retainer by overtightening the bolt.

Gradually tighten the bolt to compress the springs, being careful not to damage the transmission case with SST.

SST 09350-32013 (09351-32040)

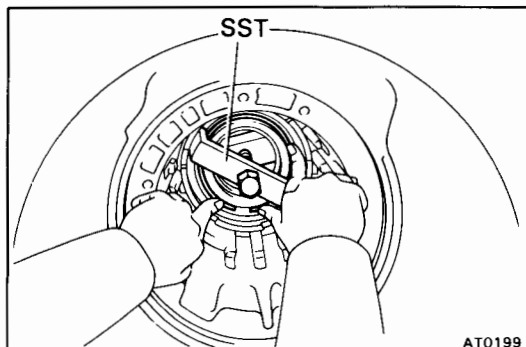


### 6. INSTALL SNAP RING

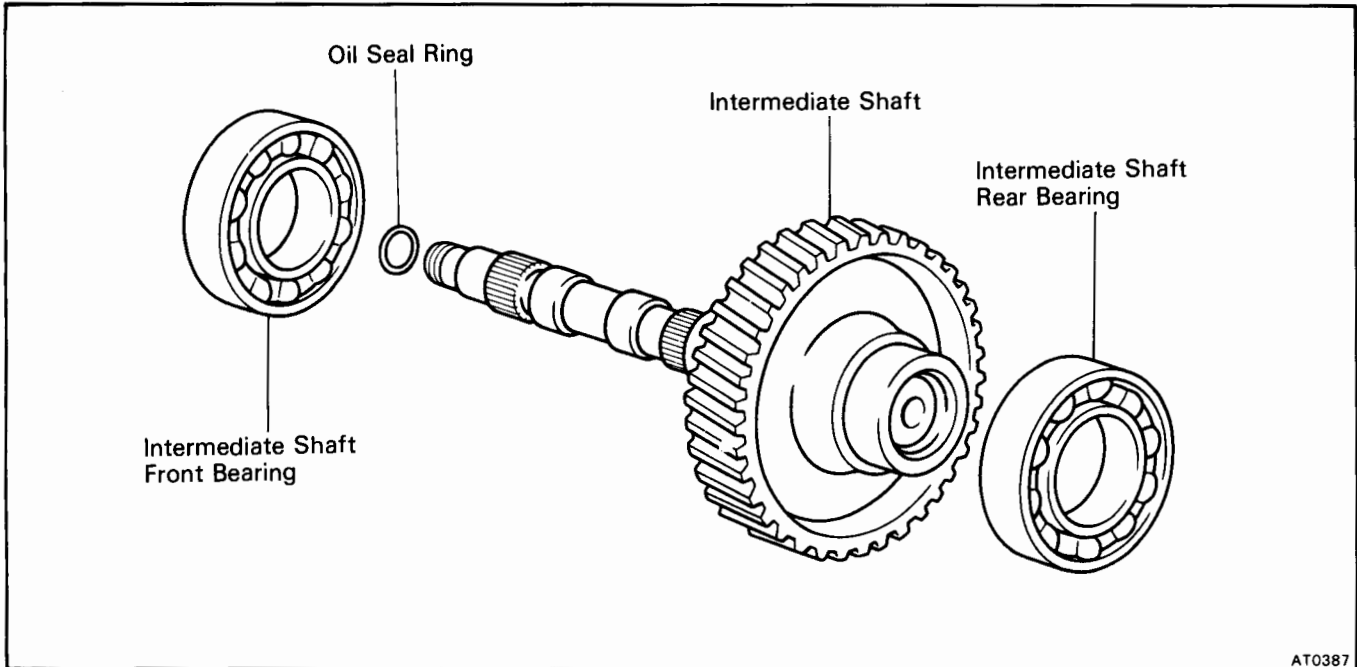
- (a) Push the ring into place with your fingers. Visually check to make sure it is fully seated and centered by the three lugs on the spring retainer. Be sure the end gap of snap ring is not aligned with the spring retainer claw.

- (b) Remove the SST.

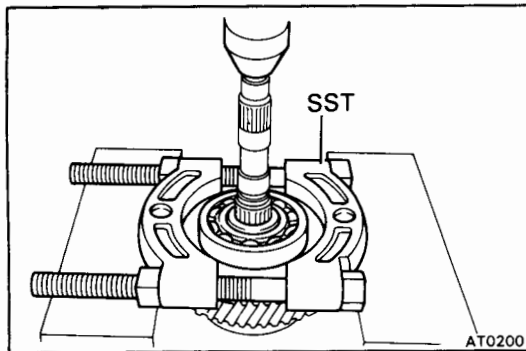
SST 09350-32013 (09351-32040)



## Intermediate Shaft



AT0387



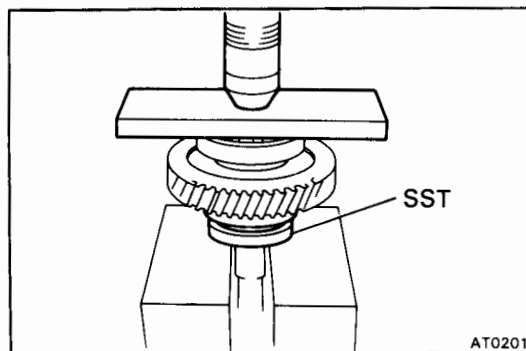
AT0200

### REPLACEMENT OF INTERMEDIATE SHAFT

#### 1. REMOVE INTERMEDIATE SHAFT FRONT BEARING

Using SST, press out the bearing.

SST 09555-55010

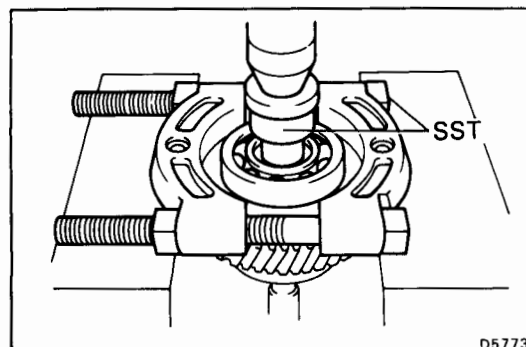


AT0201

#### 2. INSTALL INTERMEDIATE SHAFT FRONT BEARING

Using SST, press in a new bearing.

SST 09350-32013 (09351-32120)



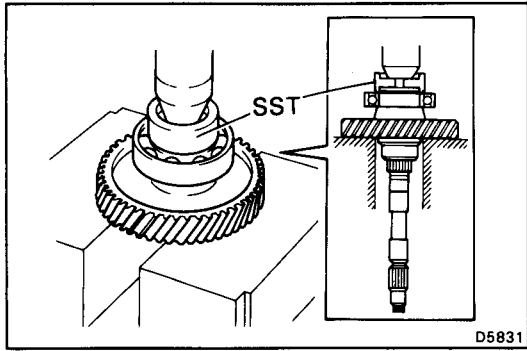
D5773

### REPLACEMENT OF INTERMEDIATE SHAFT REAR BEARING

#### 1. REMOVE INTERMEDIATE SHAFT REAR BEARING

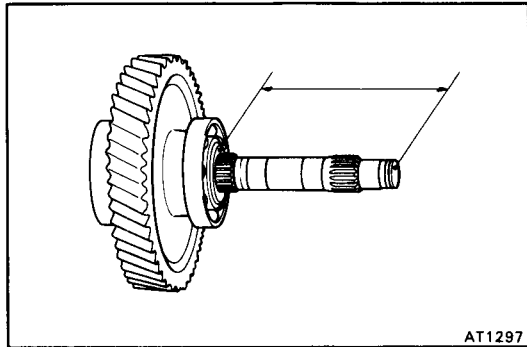
Using SST, press out the bearing.

SST 09350-32013 (09351-32090) and 09555-55010

**2. INSTALL INTERMEDIATE SHAFT REAR BEARING**

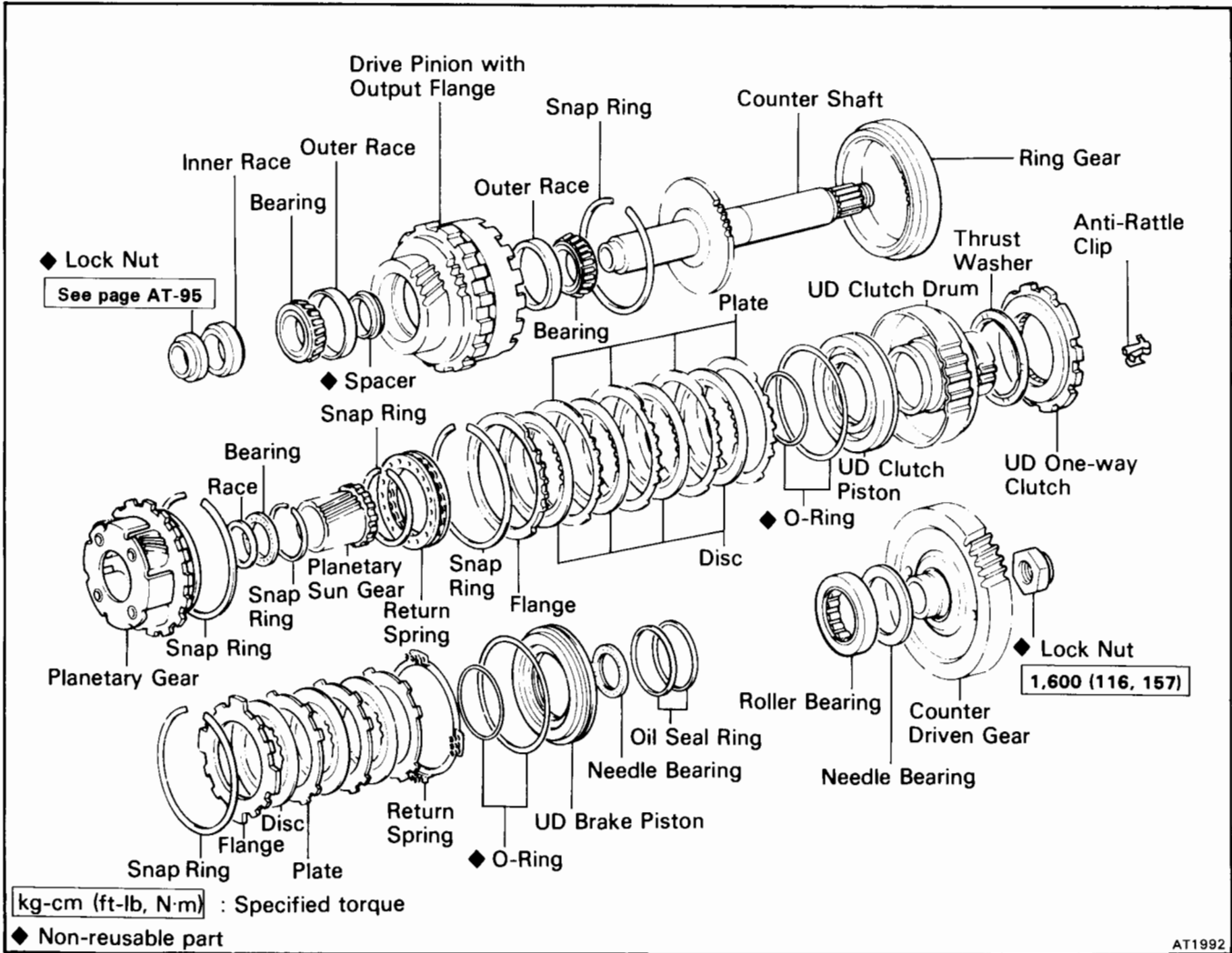
(a) Using SST, press in a new bearing.

SST 09350-32013 (09351-32150)

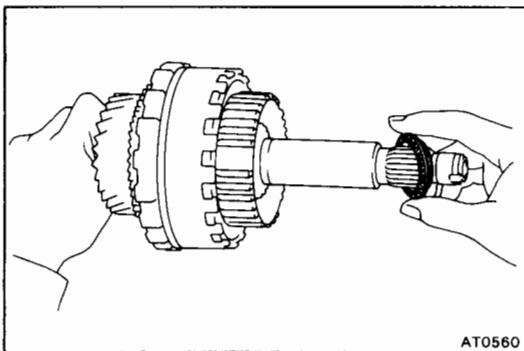


(b) Check that the distance from the gear flange end to the intermediate shaft end should be about 115.8 mm (4.560 in.).

# Counter Shaft

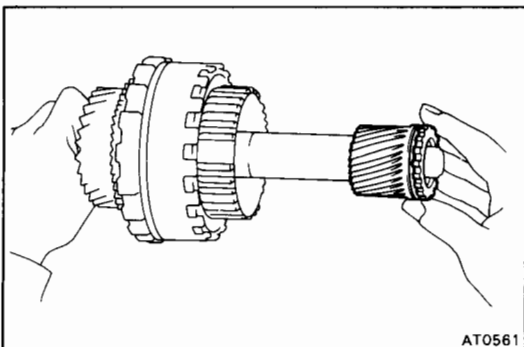


AT1992

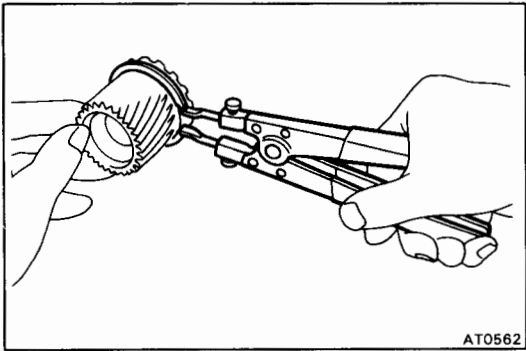


## DISASSEMBLY OF COUNTER SHAFT

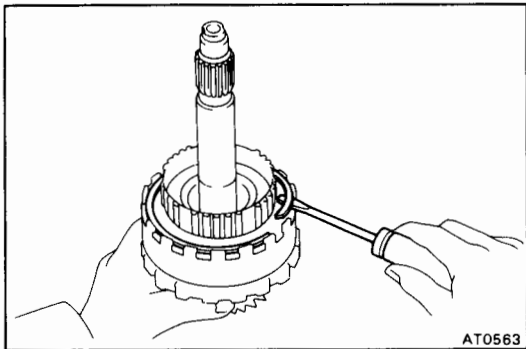
1. REMOVE BEARING



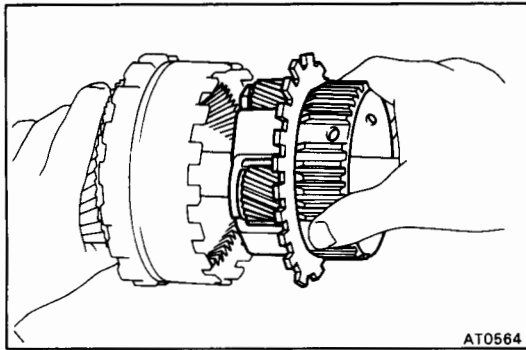
2. REMOVE UNDERDRIVE PLANETARY SUN GEAR FROM COUNTER SHAFT



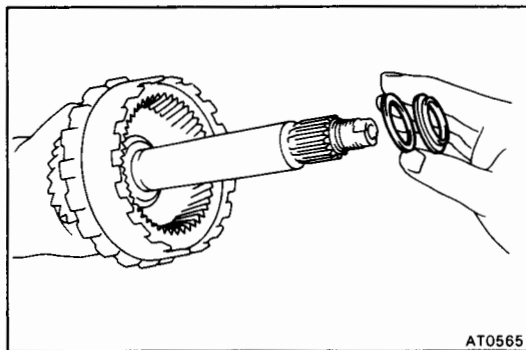
- 3. REMOVE SNAP RING FROM SUN GEAR WITH SNAP RING PLIERS**



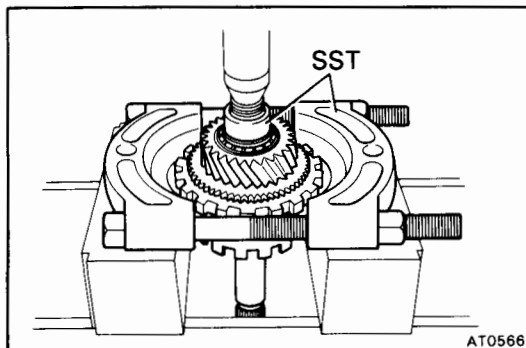
- 4. REMOVE SNAP RING FROM COUNTER SHAFT ASSEMBLY**



- 5. REMOVE UNDERDRIVE PLANETARY GEAR**



- 6. REMOVE THRUST NEEDLE BEARING AND RACE**

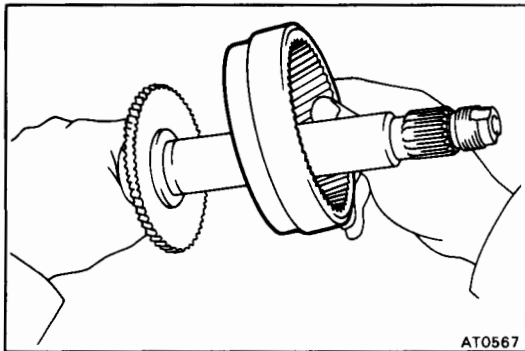


- 7. REMOVE DRIVE PINION WITH OUTPUT FLANGE, BEARING, INNER RACE AND SPACER**

(a) Using SST and a press, remove the drive pinion with output flange, bearing and inner race.

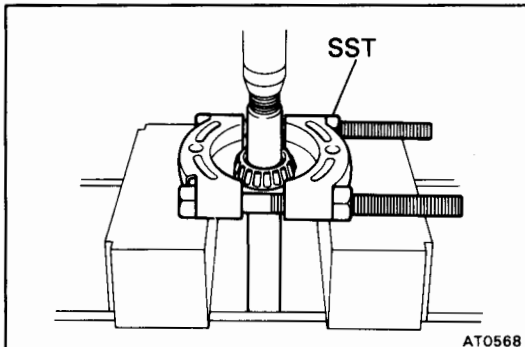
SST 09350-32013 (09351-32150) and 09555-55010

(b) Remove the spacer.



**8. REMOVE SNAP RING**

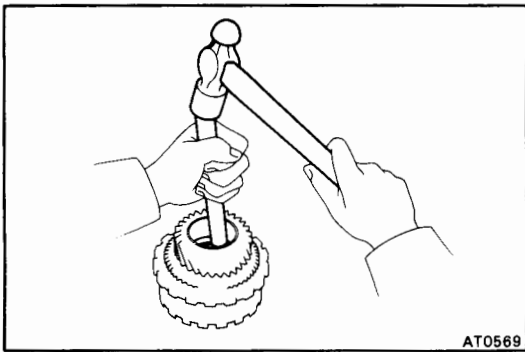
**9. REMOVE RING GEAR**



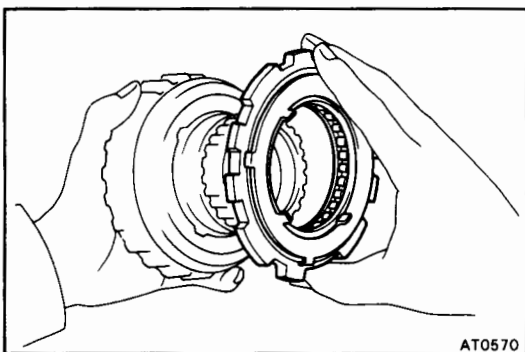
**10. REMOVE BEARING**

Using SST and a press, remove the bearing.

SST 09950-00020

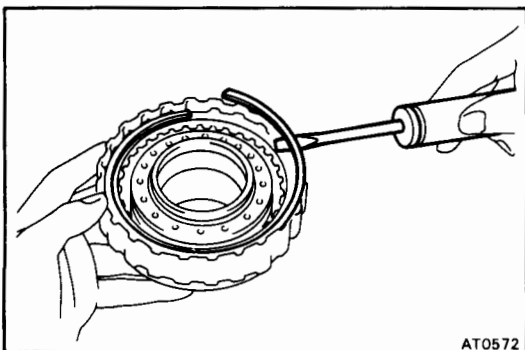


**11. REMOVE BEARING OUTER RACE WITH BRASS BAR AND HAMMER**

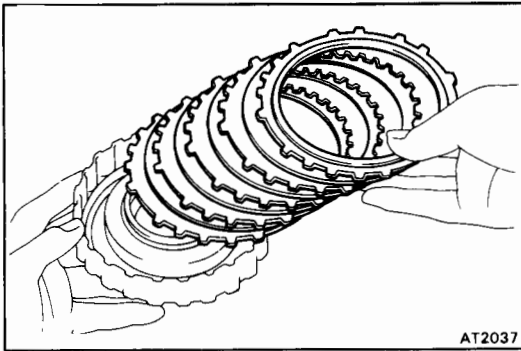


**12. REMOVE UNDERDRIVE ONE-WAY CLUTCH FROM CLUTCH DRUM**

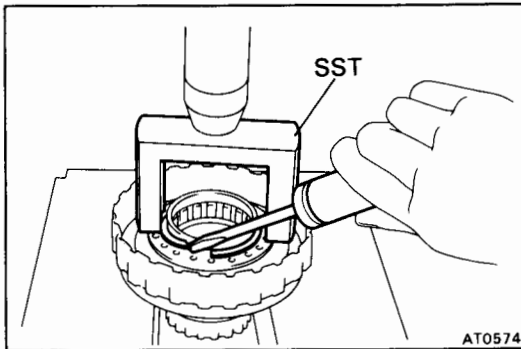
**13. REMOVE THRUST WASHER**



**14. REMOVE SNAP RING**



AT2037

**15. REMOVE FLANGE, DISCS AND PLATES**

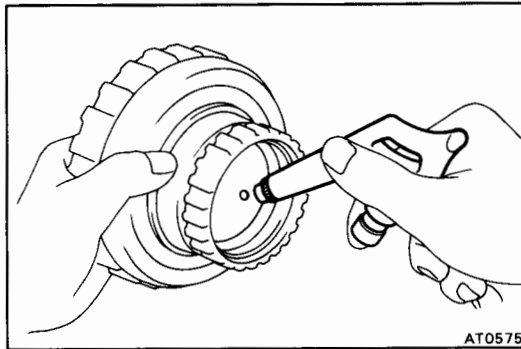
AT0574

**16. COMPRESS PISTON RETURN SPRING AND REMOVE SNAP RING**

- (a) Place SST on the spring retainer and compress the springs with a press.

SST 09350-32013 (09351-32070)

- (b) Remove the snap ring.

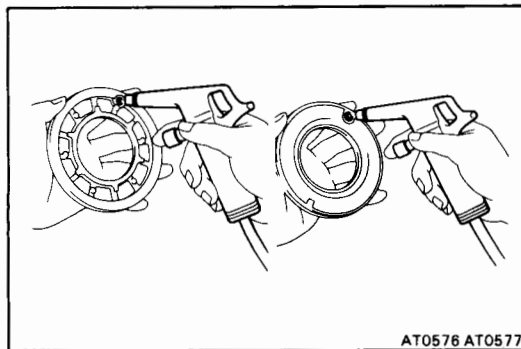
**17. REMOVE RETURN SPRING**

AT0575

**18. BLOW OUT PISTON**

Apply compressed air into the oil passage to remove the piston.

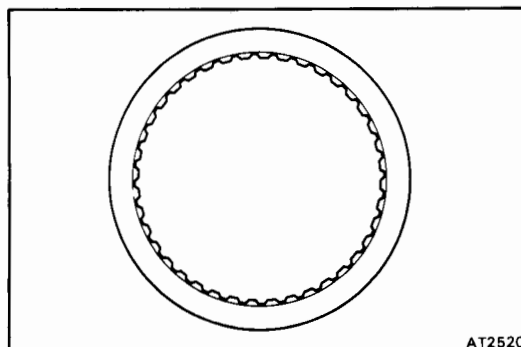
If the piston does not come out, use needle-nose pliers to remove it.



AT0576 AT0577

**INSPECTION OF UNDERDRIVE UNIT****1. INSPECT UNDERDRIVE CLUTCH PISTON**

- (a) Check that the check ball is free by shaking the piston.
- (b) Check that valve does not leak by applying low-pressure compressed air.



AT2520

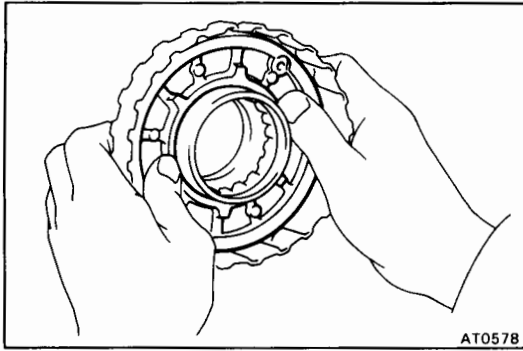
**2. INSPECT DISC, PLATE AND FLANGE**

Check that the sliding surface of disc is not worn or burnt. If the disc is worn or burnt, replace all discs.

Then check that the sliding surfaces of plate and flange are not worn or burnt.

If necessary, replace them.





## ASSEMBLY OF COUNTER SHAFT

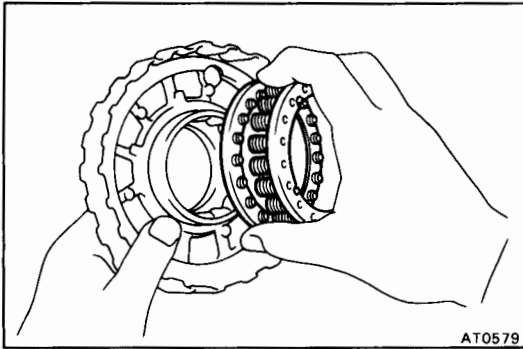
(See page AT-88)

### 1. INSTALL NEW O-RINGS ON PISTON

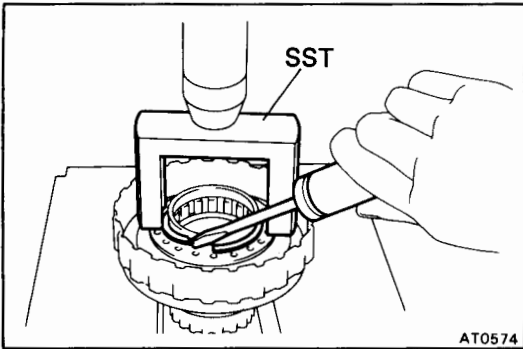
Coat the O-rings with ATF.

### 2. INSTALL UNDERDRIVE CLUTCH PISTON IN CLUTCH DRUM

Be careful not to damage the O-rings.



### 3. PLACE RETURN SPRING ON CLUTCH PISTON



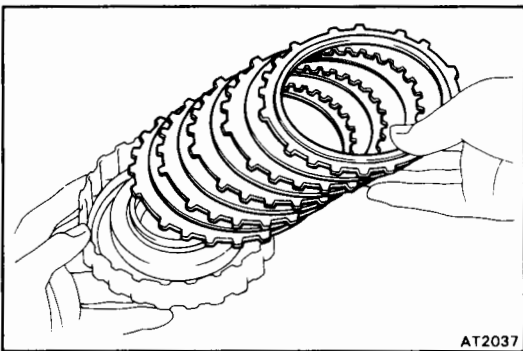
### 4. COMPRESS RETURN SPRING AND INSTALL SNAP RING IN GROOVE

(a) Place SST on the spring retainer, and compress the spring with a press.

SST 09350-32013 (09351-32070)

(b) Install the snap ring with a screwdriver.

Be sure the end gap of snap ring is not aligned with the spring retainer claw.



### 5. INSTALL PLATES, DISCS AND FLANGE

Install in order: Plate-disc-plate-disc-plate-disc-plate-disc-flange (flat end downward)

### 6. INSTALL SNAP RING

### 7. CHECK PISTON STROKE OF UNDERDRIVE CLUTCH

If replacing the discs, plates or flange, check the piston stroke.

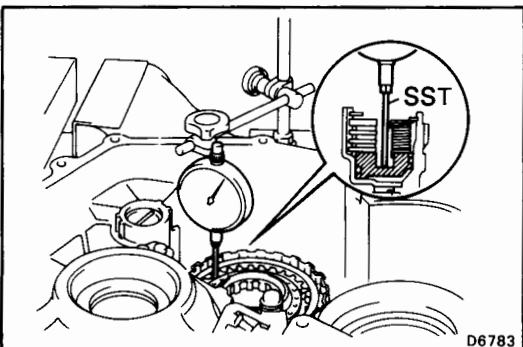
(a) Install the underdrive clutch in the transaxle case.

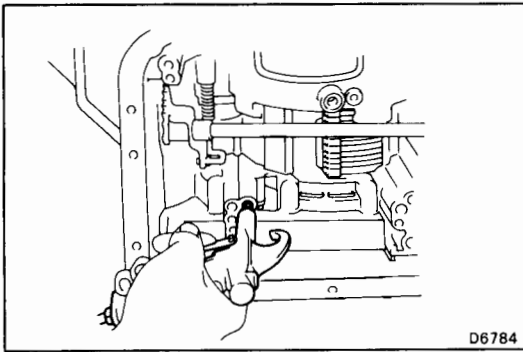
(b) Using a dial indicator (long type pick or SST), measure the underdrive clutch piston stroke applying and releasing the compressed air (4 – 8 kg/cm<sup>2</sup>, 57 – 114 psi or 392 – 785 kPa) as shown.

SST 09350-32013 (09351-32190)

**Piston stroke:**

**1.47 – 1.89 mm (0.0579 – 0.0744 in.)**



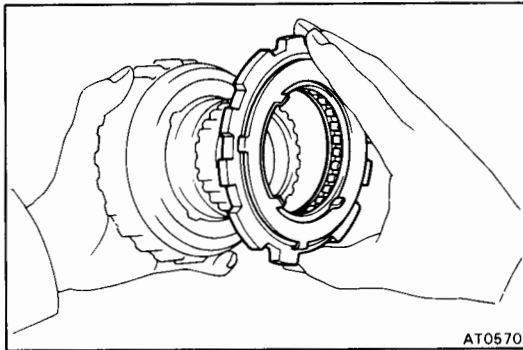


If the piston stroke is less than the limit, parts may be misassembled and reinstall them.

If the piston stroke nonstandard, select another flange.

NOTE: There are two different flange thickness.

**Flange thickness: 2.04 mm (0.0803 in.)**  
**2.40 mm (0.0945 in.)**



**8. INSTALL THRUST WASHER TO CLUTCH DRUM**

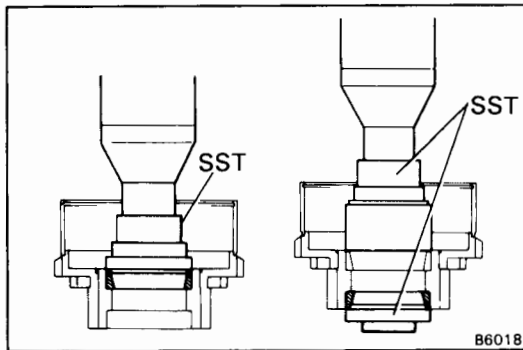
**9. INSTALL UNDERDRIVE ONE-WAY CLUTCH**

Install the one-way clutch with the claw of retainer up.

**10. CHECK OPERATION OF ONE-WAY CLUTCH**

Hold the clutch drum and turn the one-way clutch.

The one-way clutch should turn freely counterclockwise and lock clockwise.



**11. INSTALL BEARING OUTER RACES**

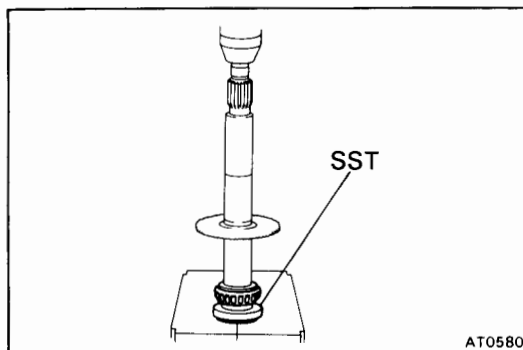
(a) Using SST and a press, press in the thick race to the flange side of the drive pinion with output flange.

SST 09350-32013 (09351-32090, 09351-32180)

(b) Using SST and a press, press the thin race into the other side.

SST 09350-32013

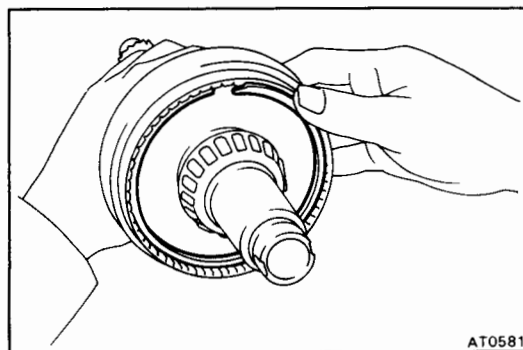
(09351-32090, 09351-32150, 09351-32180)



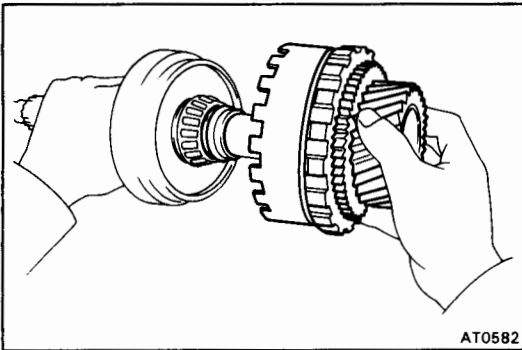
**12. INSTALL BEARING TO COUNTER SHAFT**

Using SST and a press, press in the bearing of the thick inner race side.

SST 09350-32013 (09351-32180)

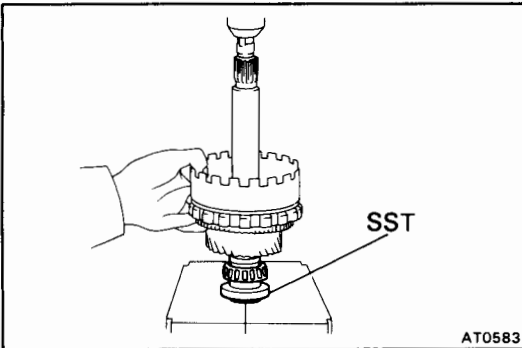


**13. INSTALL RING GEAR AND SNAP RING**



AT0582

**14. INSTALL NEW SPACER AND DRIVE PINION WITH OUTPUT FLANGE**



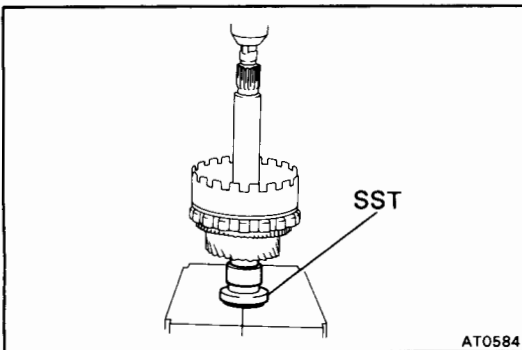
AT0583

**15. INSTALL ANOTHER BEARING TO COUNTER SHAFT**

Using SST and a press, press in the other bearing.

SST 09350-32013 (09351-32180)

**CAUTION:** Be sure there is some clearance between the output flange and bearing.



AT0584

**16. INSTALL BEARING INNER RACE**

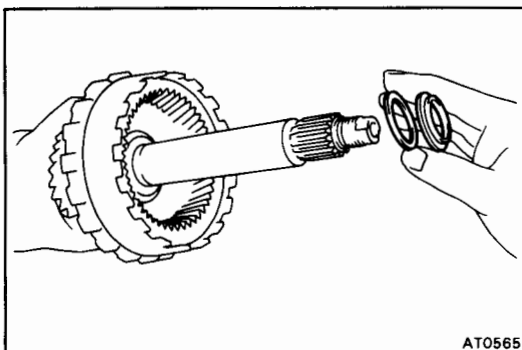
Using SST and a press, press in the inner race.

SST 09350-32013 (09351-32180)

**CAUTION:** Be sure there is some clearance.

**17. INSTALL LOCK NUT**

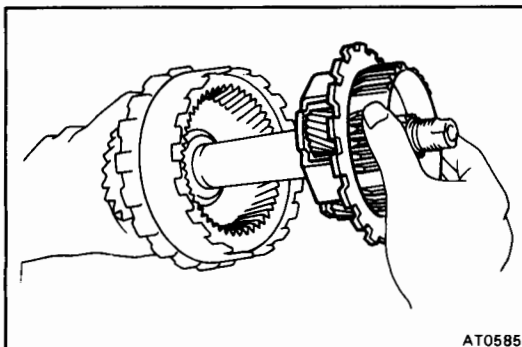
**18. ADJUST PRELOAD OF COUNTER SHAFT**  
(See page AT-95)



AT0565

**19. INSTALL RACE AND BEARING**

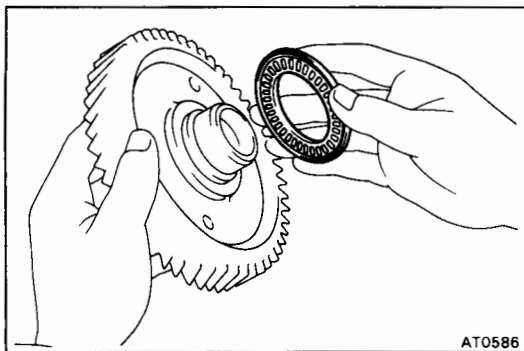
Coat the race and bearing with petroleum jelly and install them.



AT0585

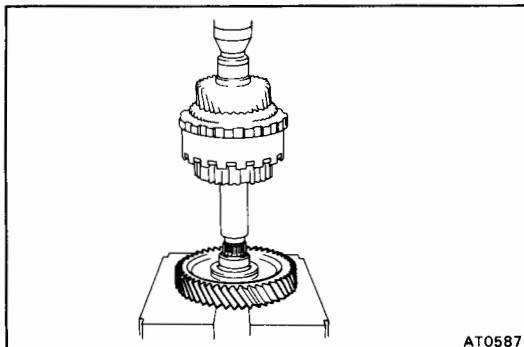
**20. INSTALL UNDERDRIVE PLANETARY GEAR**

**21. INSTALL SNAP RING**



**22. INSTALL THRUST BEARING TO COUNTER DRIVEN GEAR**

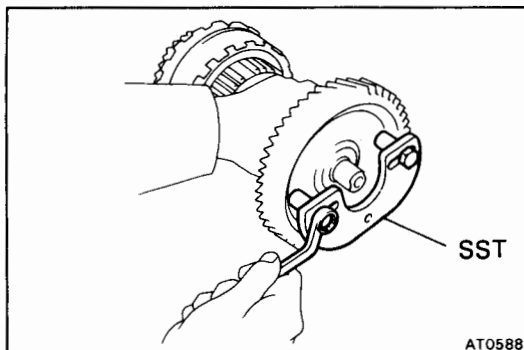
Coat the thrust bearing with petroleum jelly and install it onto the counter driven gear.



**ADJUSTMENT OF COUNTER SHAFT PRELOAD**

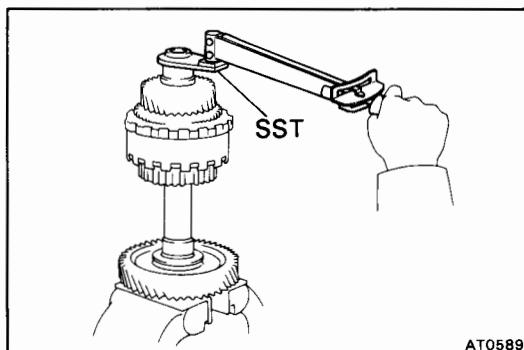
**1. TEMPORARILY INSTALL COUNTER DRIVEN GEAR**

Using a press, press in the driven gear to the counter shaft.



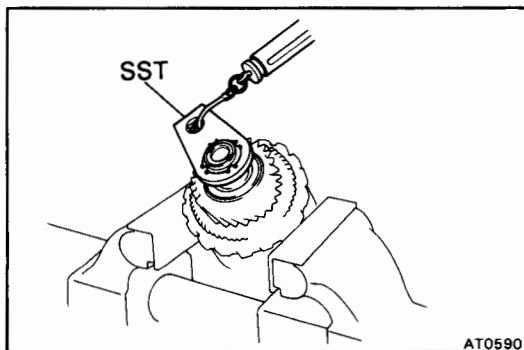
**2. INSTALL SST TO COUNTER DRIVEN GEAR**

- (a) Install SST to the driven gear.
  - (b) Secure the counter shaft in a vise.
- SST 09350-32013 (09351-32031)



**3. TIGHTEN NEW LOCK NUT WITH SST**

SST 09350-32013 (09351-32170)  
**Torque (Reference):**  
 1,800 – 2,200 kg-cm  
 (130 – 159 ft-lb, 177 – 216 N·m)



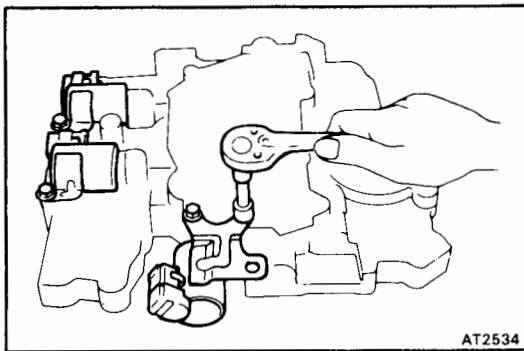
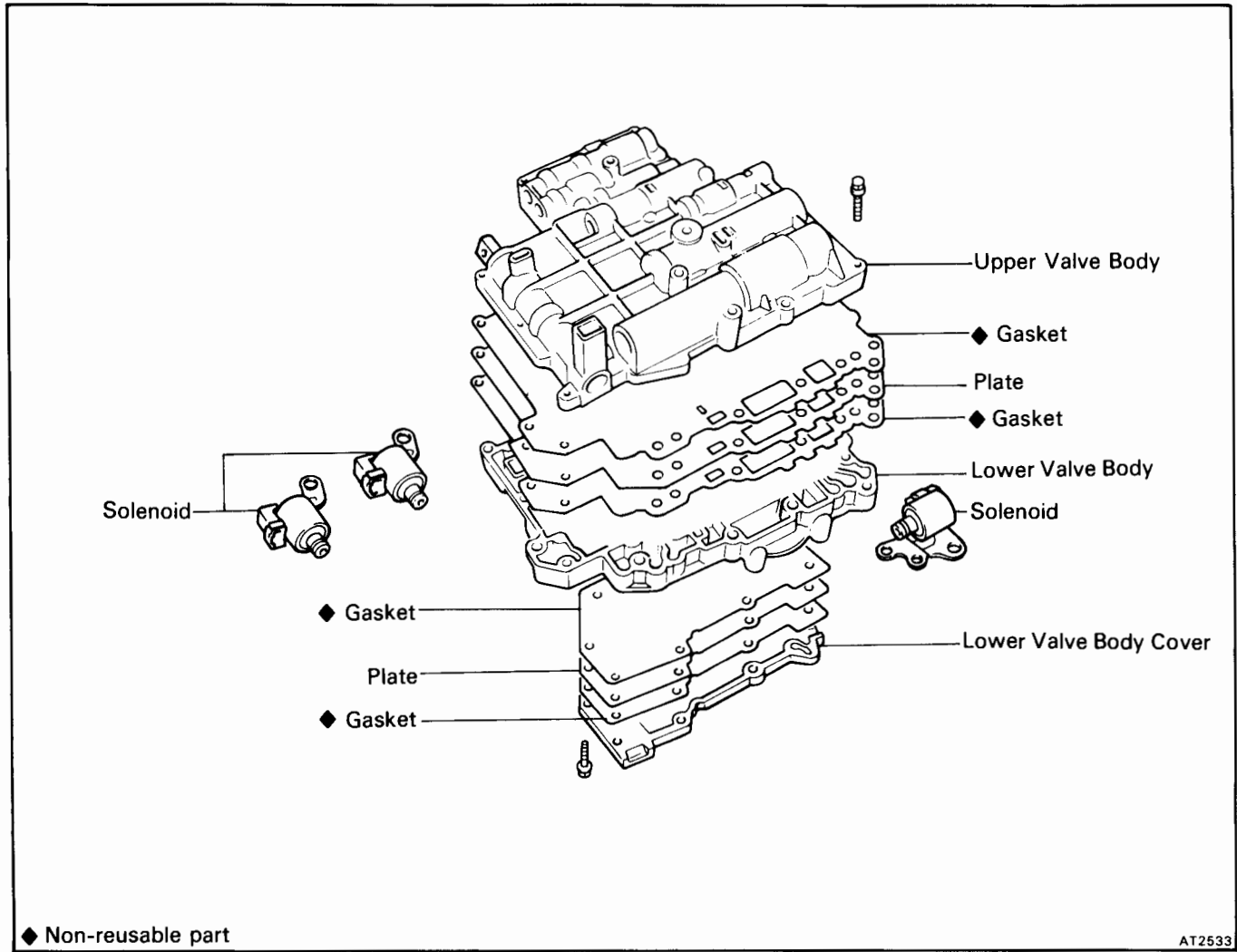
**4. MEASURE STARTING TORQUE OF COUNTER SHAFT**

- (a) Snug down the bearing by turning the counter shaft.
  - (b) Using SST and a spring tension gauge, measure the starting torque of the counter shaft.
- SST 09350-32013 (09351-32170)

**Torque:**  
 1.2 – 2.0 kg (2.6 – 4.4 lb, 12 – 20 N)  
 with tension gauge  
 6 – 10 kg-cm (5.2 – 8.7 in.-lb, 0.6 – 1.0 N·m)  
 with torque gauge (hexagon nut side)

**NOTE:** If the torque is exceeded, replace the spacer and retorque.

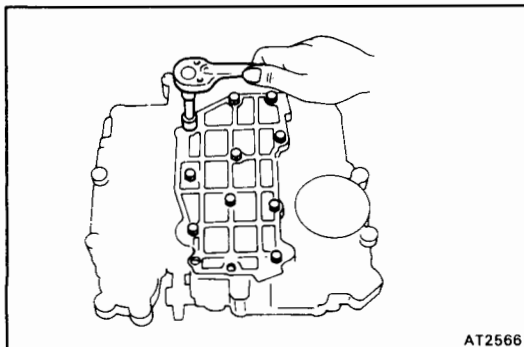
# Valve Body



## (Disassembly of Valve Body)

### 1. REMOVE SOLENOID VALVES

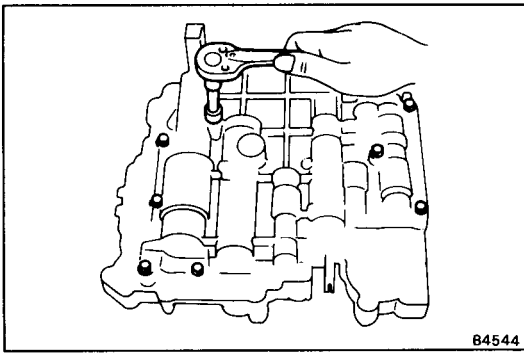
Remove the bolts and three solenoid valves.



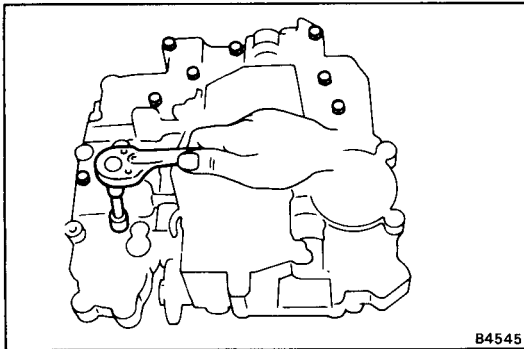
### 2. REMOVE LOWER VALVE BODY COVER

(a) Remove the ten bolts.

(b) Remove the cover, gaskets and plate.



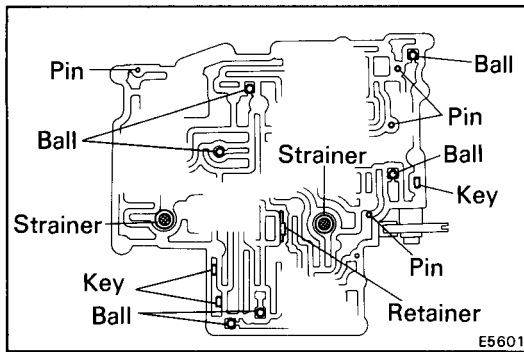
- 3. TURN ASSEMBLY OVER AND REMOVE THE EIGHT BOLTS FROM UPPER VALVE BODY**



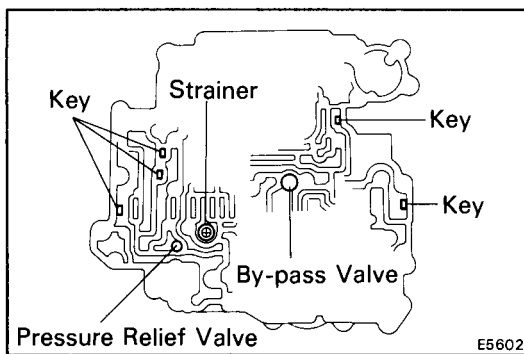
- 4. TURN ASSEMBLY OVER AND REMOVE THE NINE BOLTS FROM LOWER VALVE BODY, AND REMOVE LOWER VALVE BODY**

Hold valve body plate to lower valve body.

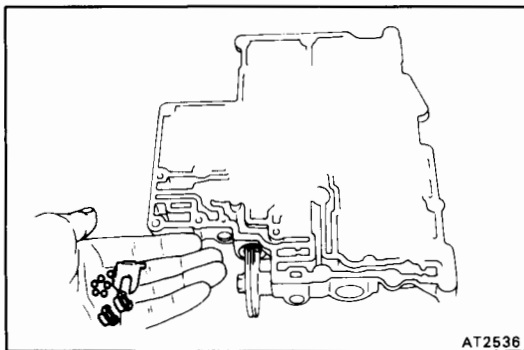
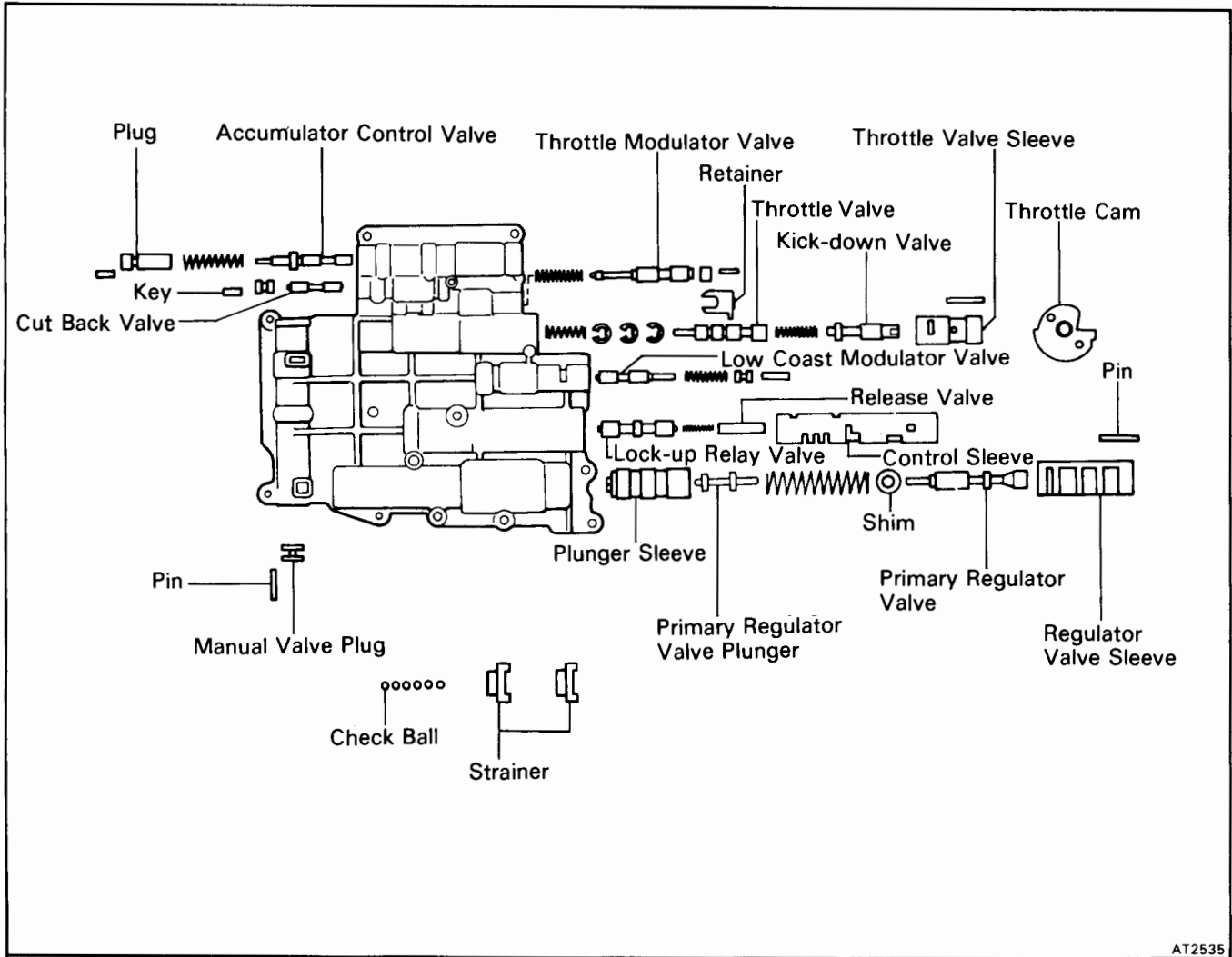
**NOTE:** Be careful of the strainer, by-pass valve and pressure relief valve.



- 5. WATCH FOR CHECK BALLS, RETAINER, KEYS AND PINS IN VALVE BODY**

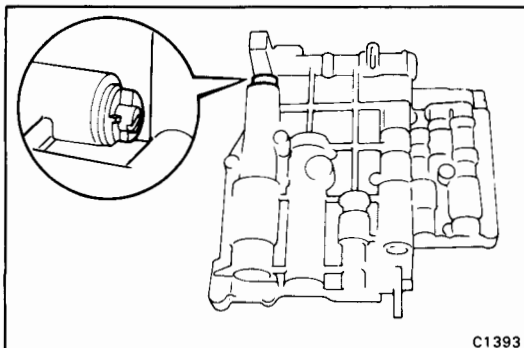


# (Upper Valve Body)



## DISASSEMBLY OF UPPER VALVE BODY

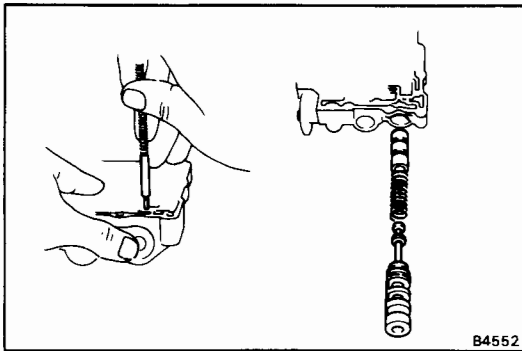
1. REMOVE THROTTLE VALVE RETAINER, SIX CHECK BALLS AND TWO STRAINERS



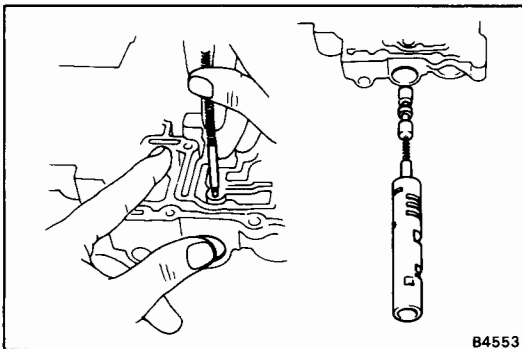
2. REMOVE PRIMARY REGULATOR VALVE

(a) Note which step from the end the plunger sleeve contacts the valve body.

NOTE: It is important to remember which step is in contact because the line pressure changes accordingly.

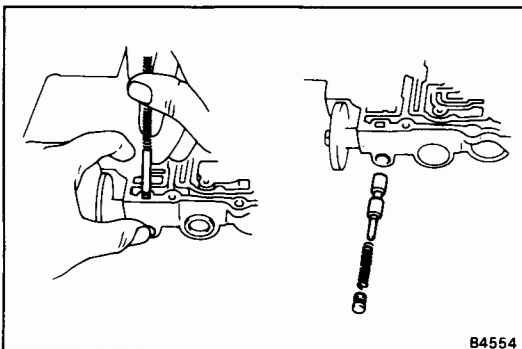


- (b) Push in the valve sleeve and remove the pin with a magnetic finger.
- (c) Remove the valve sleeve, primary regulator valve, valve plunger, plunger sleeve, shim and spring.



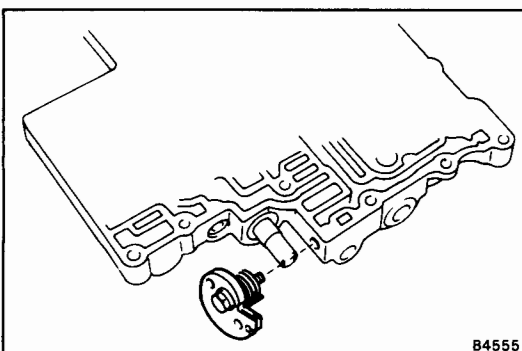
### 3. REMOVE LOCK-UP RELAY VALVE

- (a) Remove the pin with a magnetic finger.
- (b) Remove the valve sleeve, lock-up relay valve, spring and release valve.



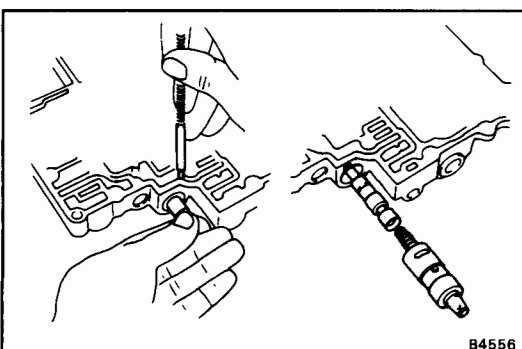
### 4. REMOVE LOW-COAST MODULATOR VALVE

- (a) Push the plug, remove the key and plug with a magnetic finger.
- (b) Remove the spring and low-coast modulator valve.



### 5. REMOVE THROTTLE CAM

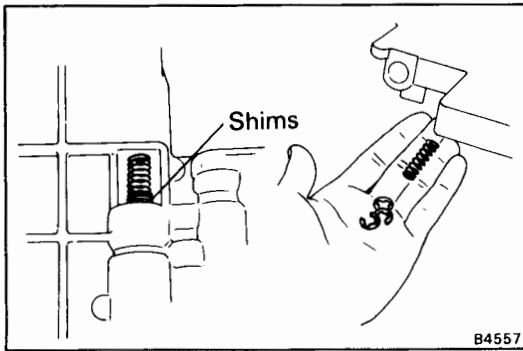
- (a) Remove the bolt.
- (b) Remove the throttle cam, collar and spring.



### 6. REMOVE THROTTLE VALVE

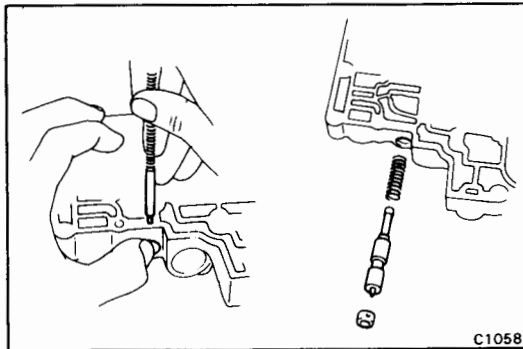
- (a) Remove the pin with a magnetic finger.
- (b) Remove the valve sleeve, kick-down valve, throttle valve and spring.





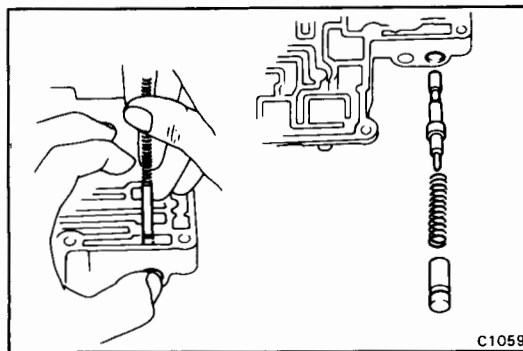
- (c) Remove the spring and adjusting shims from the upper side of the upper valve body.

NOTE: Throttle pressure changes in accordance with the number of shims so make a note.



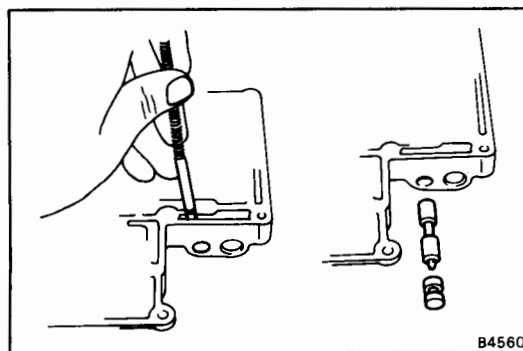
#### 7. REMOVE THROTTLE MODULATOR VALVE

- (a) Push in the plug and remove the pin and plug with a magnetic finger.
- (b) Remove the modulator valve and spring.



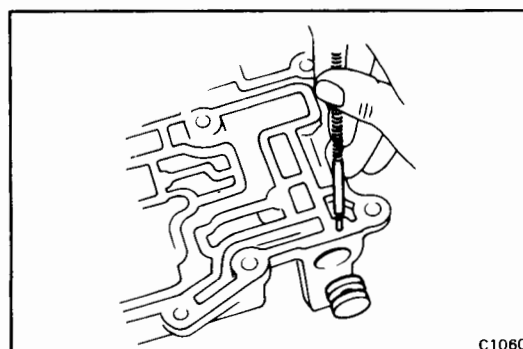
#### 8. REMOVE ACCUMULATOR CONTROL VALVE

- (a) Push in the plug and remove the key and plug with a magnetic finger.
- (b) Remove the valve and spring.

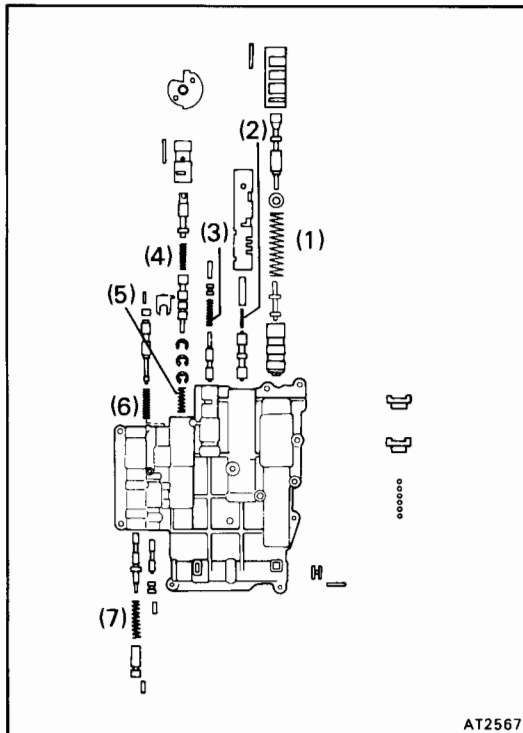


#### 9. REMOVE CUT BACK VALVE

- (a) Remove the key and plug with a magnetic finger.
- (b) Remove the cut back valve.

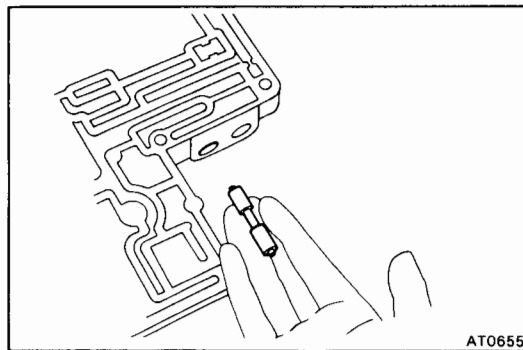


#### 10. REMOVE MANUAL VALVE PLUG AND PIN WITH MAGNETIC FINGER



## SPECIFICATIONS OF UPPER VALVE BODY SPRINGS

Spring	Free length mm (in.)	Color
(1) Primary regulator valve	66.65 (2.6240)	Purple
(2) Lock-up relay valve	18.80 (0.7402)	None
(3) Low-coast modulator valve	27.51 (1.0831)	Yellow
(4) Kick-down valve	29.76 (1.1717)	White
(5) Throttle valve	29.18 (1.1488)	Yellow Green
(6) Throttle modulator valve	29.90 (1.1772)	Green
(7) Accumulator control valve	35.90 (1.4134)	Blue

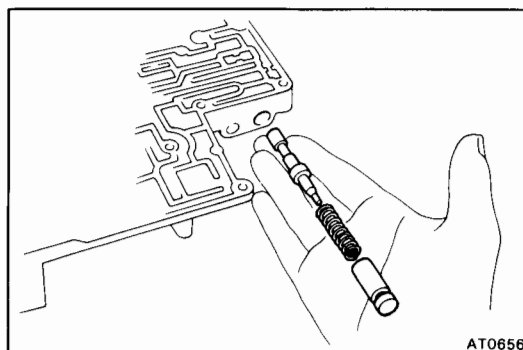


## ASSEMBLY OF UPPER VALVE BODY

(See page AT-98)

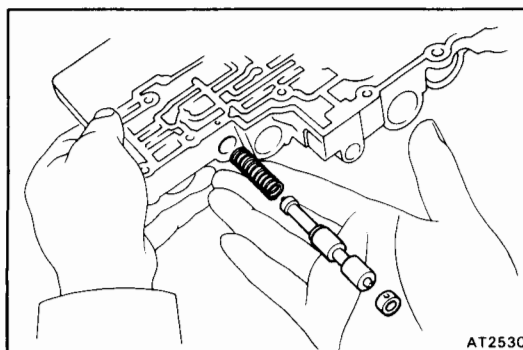
### 1. INSTALL CUT BACK VALVE

- (a) Install the cut back valve with the small end first.
- (b) Install the plug and key.



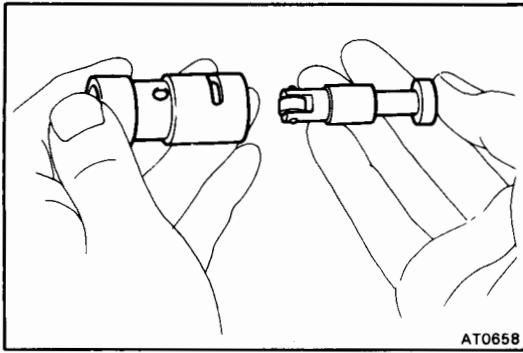
### 2. INSTALL ACCUMULATOR CONTROL VALVE

- (a) Install the control valve and spring.
- (b) Install the plug thick end first and key.



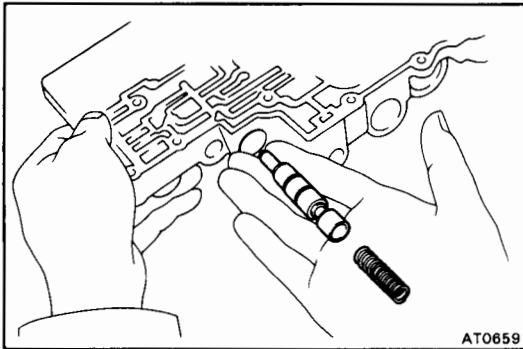
### 3. INSTALL THROTTLE MODULATOR VALVE

- (a) Install the spring and modulator valve.
- (b) Install the plug flat end first and pin.



#### 4. INSTALL KICK-DOWN VALVE

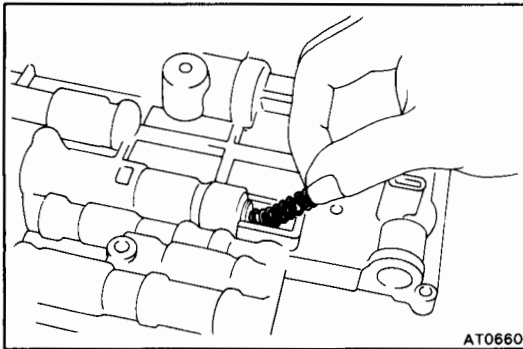
Install the kick-down valve to the throttle valve sleeve.



#### 5. INSTALL THROTTLE VALVE

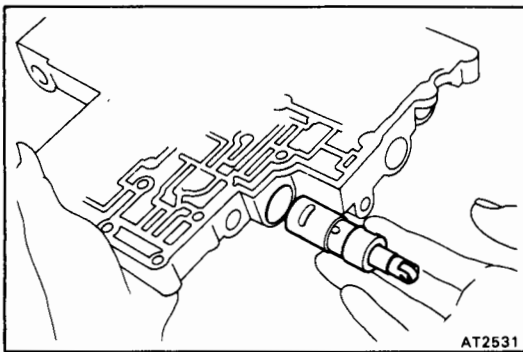
(a) Install the throttle valve with the small end first.

(b) Install the spring.



(c) Install the same number of adjusting shims as was removed during disassembly.

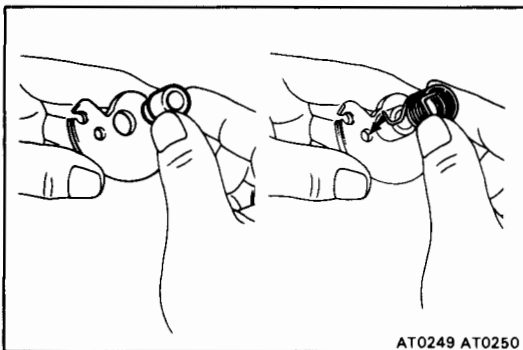
(d) Install the spring.



#### 6. INSTALL KICK-DOWN VALVE WITH THROTTLE VALVE SLEEVE

(a) Install the kick-down valve with the sleeve.

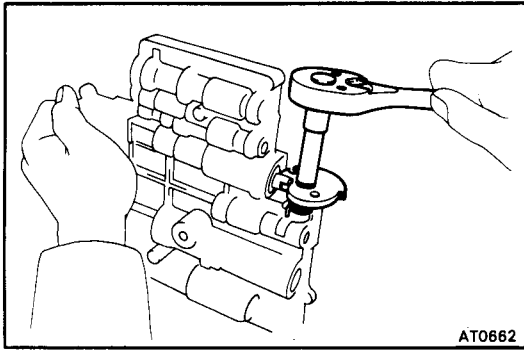
(b) Install the pin to hold the sleeve in place.



#### 7. ASSEMBLE THROTTLE CAM

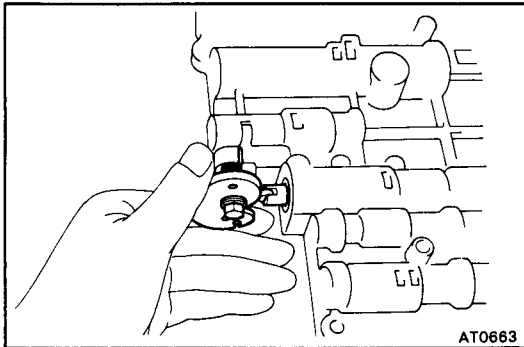
(a) Install the collar to the cam.

(b) Install the spring with the hook through the hole in the cam.

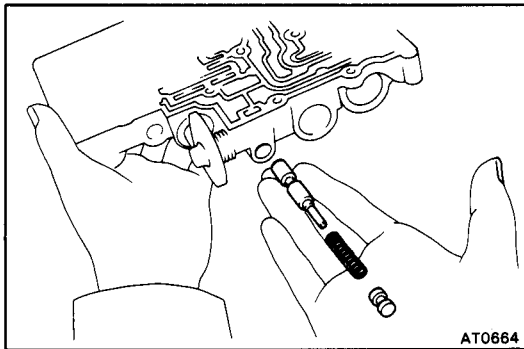


**8. INSTALL THROTTLE CAM ASSEMBLY TO UPPER VALVE BODY**

Check the position of the spring ends.  
Tighten the bolt.

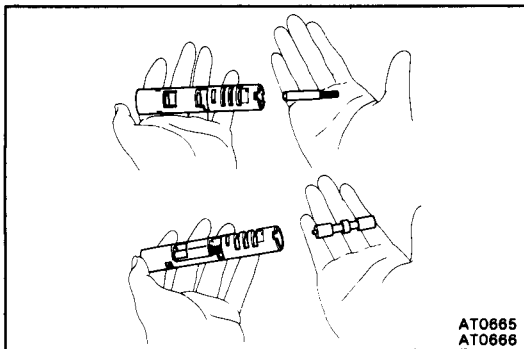


**9. MAKE SURE THAT THROTTLE CAM MOVES ON ROLLER OF KICK-DOWN VALVE**



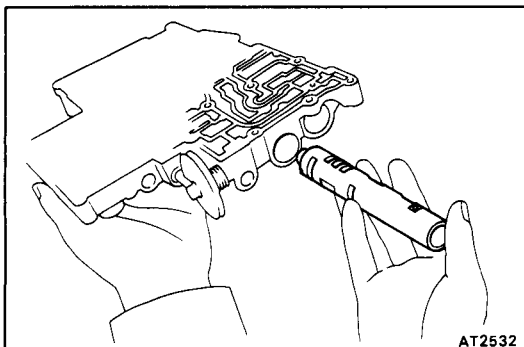
**10. INSTALL LOW-COAST MODULATOR VALVE**

- (a) Install the modulator valve and spring.
- (b) Install the plug and key.



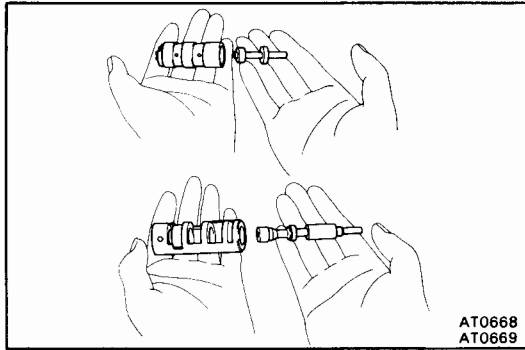
**11. ASSEMBLE LOCK-UP RELAY VALVE**

- (a) Install the release valve flat end first to the valve sleeve, and install the spring.
- (b) Install relay valve to the valve sleeve.

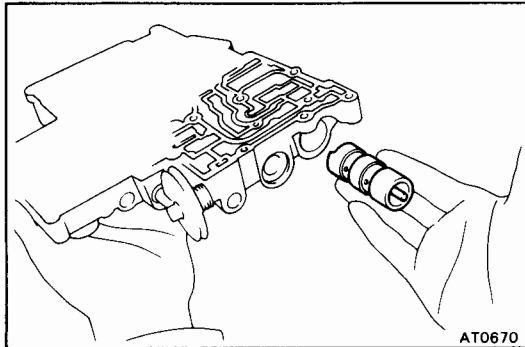


**12. INSTALL LOCK-UP RELAY VALVE SLEEVE TO UPPER VALVE BODY**

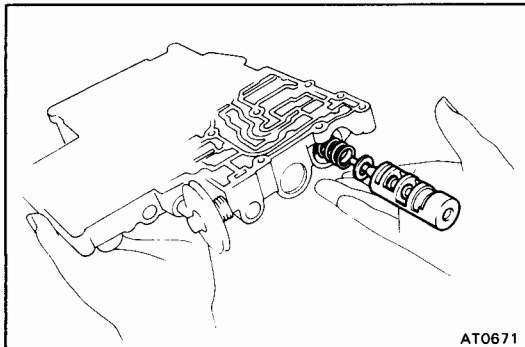
- (a) Install the valve sleeve to the upper valve body.
- (b) Install the pin to hold the valve sleeve.

**13. ASSEMBLE PRIMARY REGULATOR VALVE**

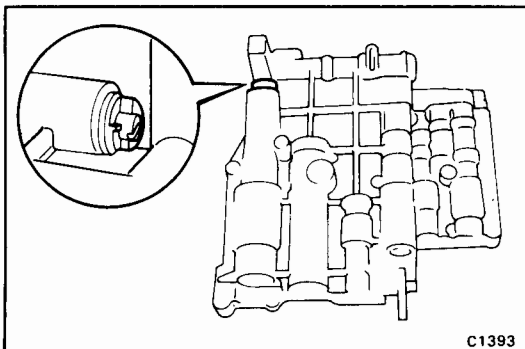
- (a) Install the valve plunger small end first to the plunger sleeve.
- (b) Install the regulator valve to the valve sleeve.

**14. INSTALL PRIMARY REGULATOR VALVE**

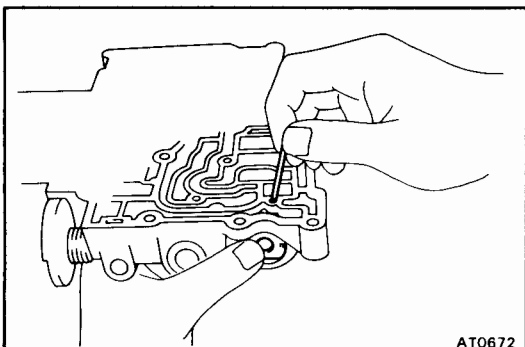
- (a) Install the plunger sleeve assembly to the upper valve body.



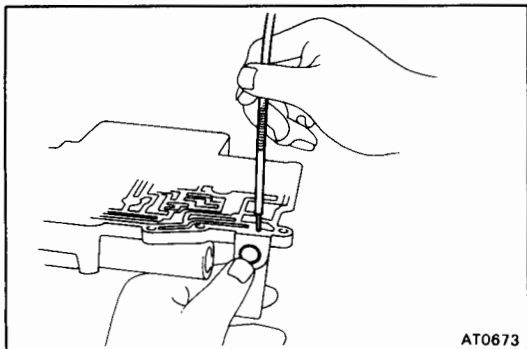
- (b) Install the spring, shim and regulator valve assembly to the upper valve body.



**NOTE:** Assemble so the end of the plunger sleeve is making contact with the valve body at the same step as when it was disassembled.



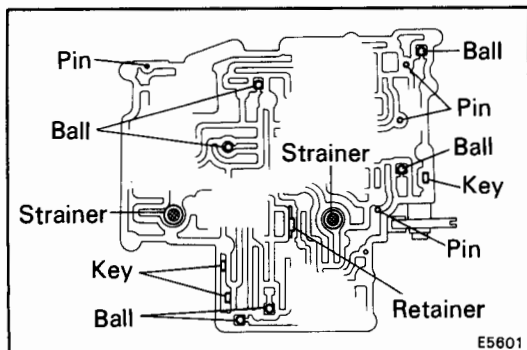
- (c) Install the pin to hold the valve sleeve.



AT0673

**15. INSTALL MANUAL VALVE PLUG AND PIN**

Coat the pin with petroleum jelly, install the pin and plug.

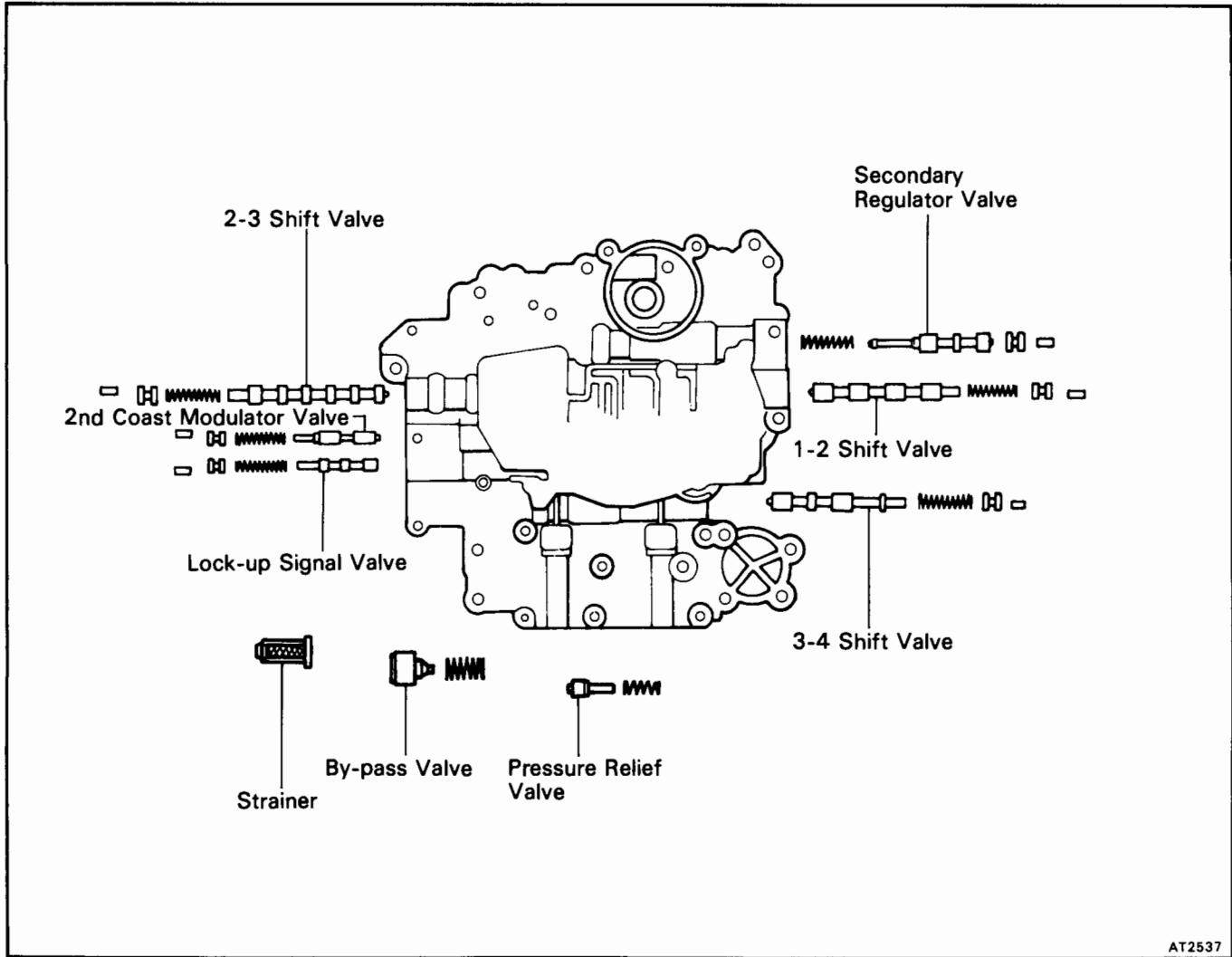


E5601

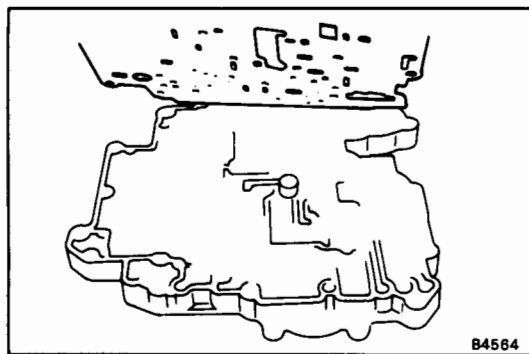
**16. INSTALL THROTTLE VALVE RETAINER, SIX CHECK BALLS AND TWO STRAINERS**

Coat the throttle valve retainer with petroleum jelly, install the throttle valve retainer, six check balls and two strainers.

### (Lower Valve Body)



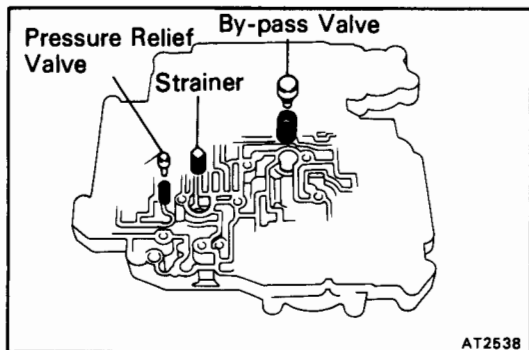
AT2537



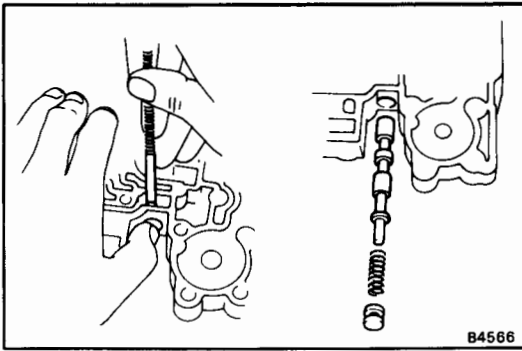
B4584

### DISASSEMBLY OF LOWER VALVE BODY

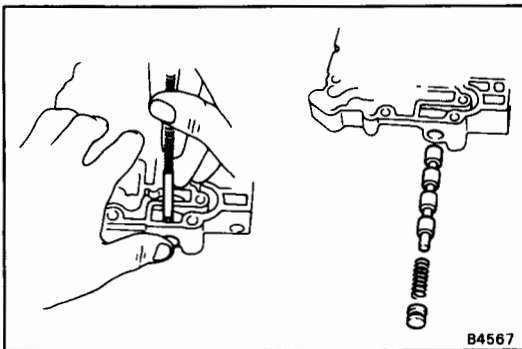
1. REMOVE LOWER VALVE BODY PLATE AND GASKETS
2. REMOVE BY-PASS VALVE AND SPRING
3. REMOVE PRESSURE RELIEF VALVE AND SPRING
4. REMOVE STRAINER



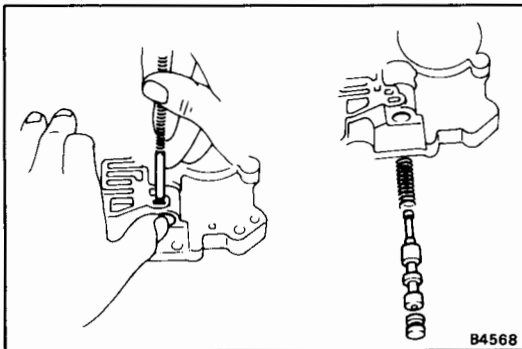
AT2538

**5. REMOVE 3-4 SHIFT VALVE**

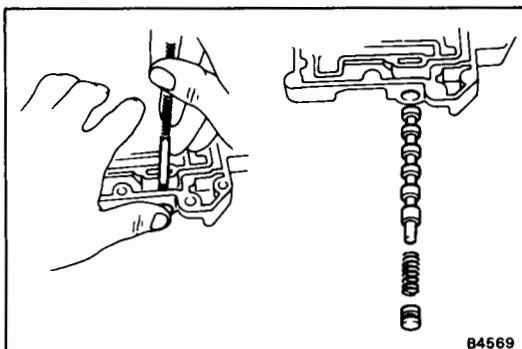
- (a) Push in the plug and remove the key and plug with a magnetic finger.
- (b) Remove the 3-4 shift valve and spring.

**6. REMOVE 1-2 SHIFT VALVE**

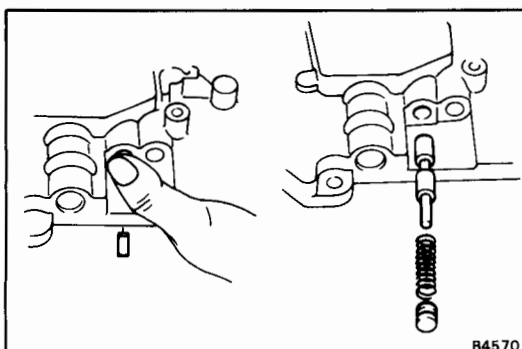
- (a) Push in the plug and remove the key and plug with a magnetic finger.
- (b) Remove the 1-2 shift valve and spring.

**7. REMOVE SECONDARY REGULATOR VALVE**

- (a) Push in the plug and remove the key and plug with a magnetic finger.
- (b) Remove the secondary regulator valve and spring.

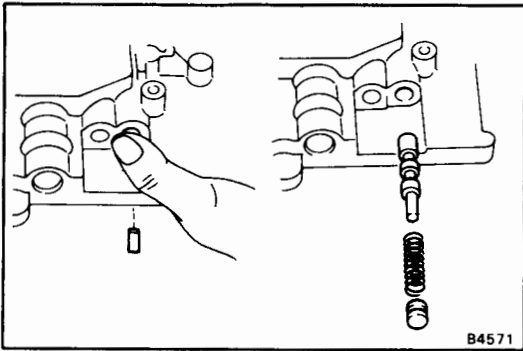
**8. REMOVE 2-3 SHIFT VALVE**

- (a) Push in the plug and remove the key and plug with a magnetic finger.
- (b) Remove the spring and 2-3 shift valve.

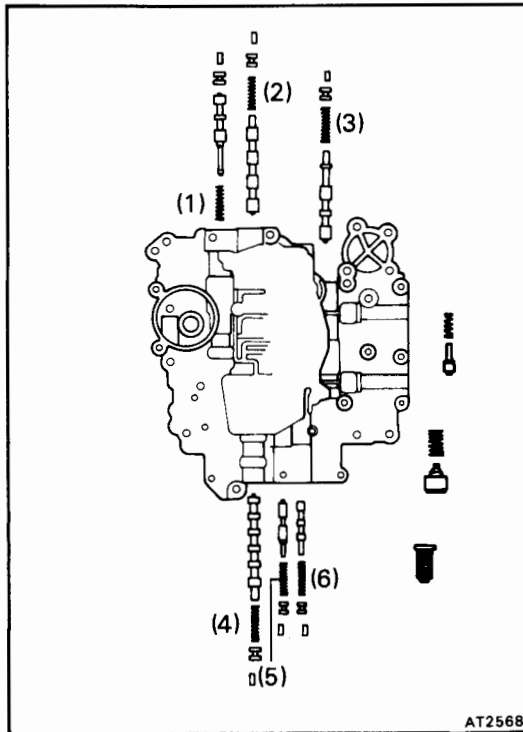
**9. REMOVE SECOND COAST MODULATOR VALVE**

- (a) Push in the plug and remove the key and plug.
- (b) Remove the spring and second coast modulator valve.



**10. REMOVE LOCK-UP SIGNAL VALVE**

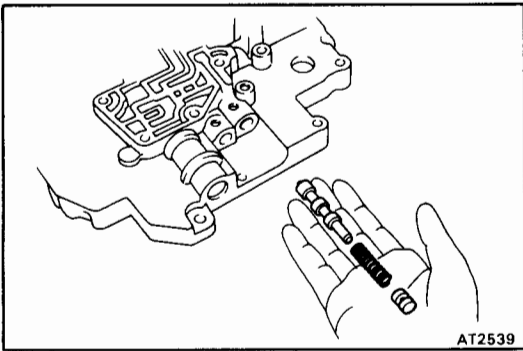
- (a) Push in the plug and remove the key and plug.
- (b) Remove the spring and lock-up signal valve.

**SPECIFICATIONS OF LOWER VALVE BODY SPRINGS**

Spring	Free length mm (in.)	Color
(1) Secondary regulator valve	27.41 (1.0791)	Blue
(2) 1-2 Shift valve	30.77 (1.2114)	Purple
(3) 3-4 Shift valve	30.77 (1.2114)	Purple
(4) 2-3 Shift valve	30.77 (1.2114)	Purple
(5) 2nd Coast modulator valve	29.63 (1.1665)	Red
(6) Lock-up signal valve	30.00 (1.1811)	Orange

**ASSEMBLY OF LOWER VALVE BODY**

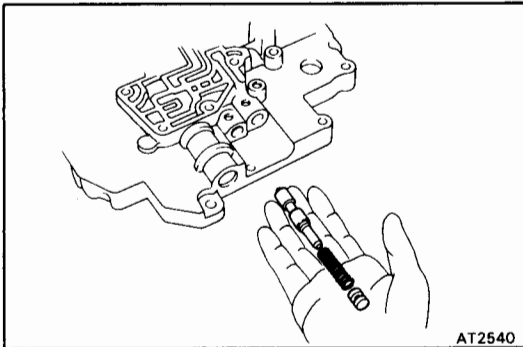
(See page AT-106)



AT2539

**1. INSTALL LOCK-UP SIGNAL VALVE**

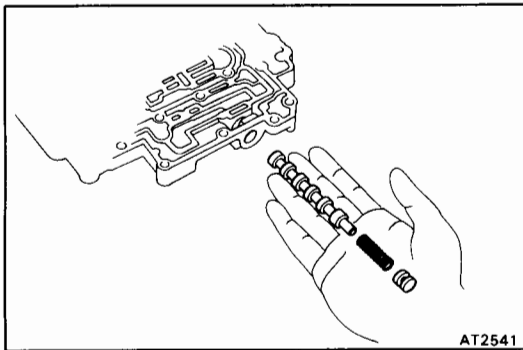
- (a) Install the lock-up signal valve and spring.
- (b) Install the plug and key



AT2540

**2. INSTALL SECOND COAST MODULATOR VALVE**

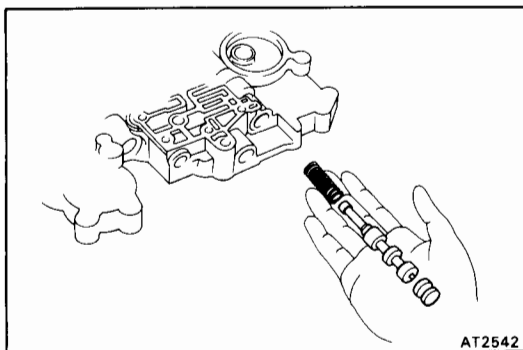
- (a) Install the second coast modulator valve and spring.
- (b) Install the plug and key.



AT2541

**3. INSTALL 2-3 SHIFT VALVE**

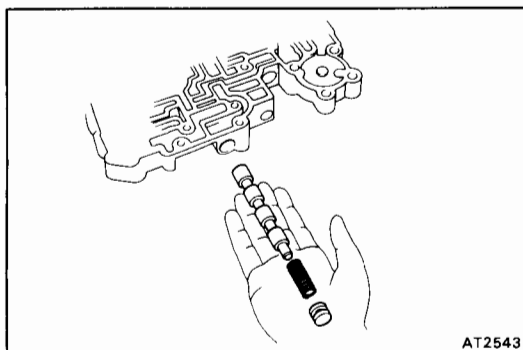
- (a) Install the 2-3 shift valve and spring.
- (b) Install the plug and key.



AT2542

**4. INSTALL SECONDARY REGULATOR VALVE**

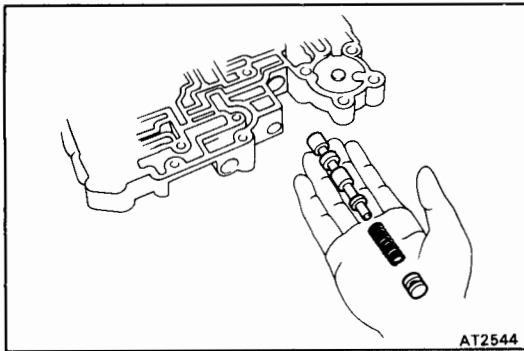
- (a) Install the spring and secondary regulator valve.
- (b) Install the plug and key.



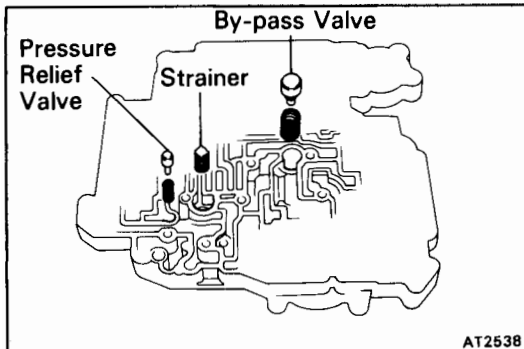
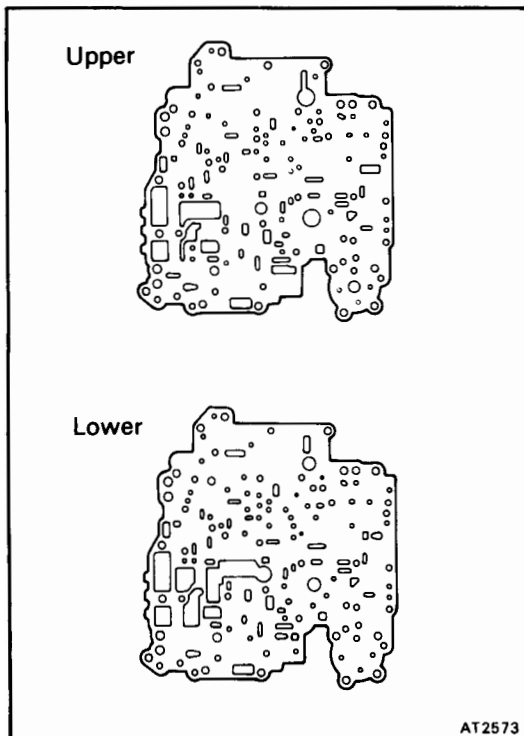
AT2543

**5. INSTALL 1-2 SHIFT VALVE**

- (a) Install the 1-2 shift valve and spring.
- (b) Install the plug and key.

**6. INSTALL 3-4 SHIFT VALVE**

- (a) Install the 3-4 shift valve and spring.
- (b) Install the plug and key.

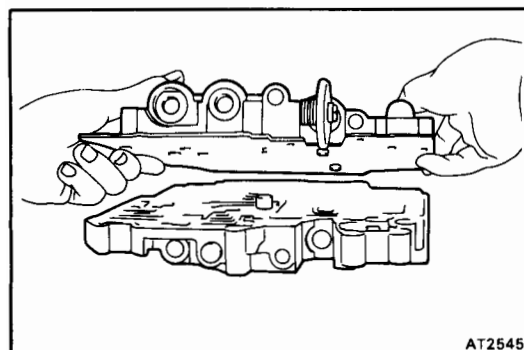
**7. INSTALL BY-PASS VALVE AND SPRING****8. INSTALL PRESSURE RELIEF VALVE AND SPRING****9. INSTALL STRAINER****(Assembly of Valve Body)**

(See page AT-96)

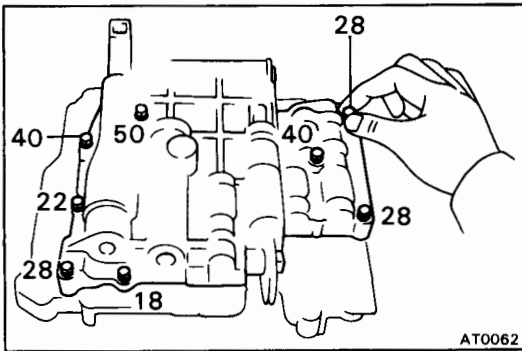
**1. POSITION NEW GASKETS AND PLATE ON UPPER VALVE BODY**

- (a) Place a new gasket onto the upper valve body.
- (b) Place the plate onto the upper valve body.

- (c) Place another new gasket onto the plate.
- (d) Align each bolt hole in the valve body with the two gaskets and plate.

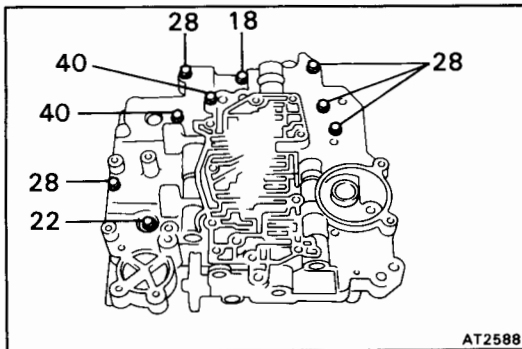
**2. PLACE UPPER VALVE BODY AND GASKETS WITH PLATE ON TOP OF LOWER VALVE BODY**

- (a) Hold the upper valve body, gaskets and plate securely so they do not separate.
- (b) Align each bolt hole in the valve bodies with the gaskets and plate.



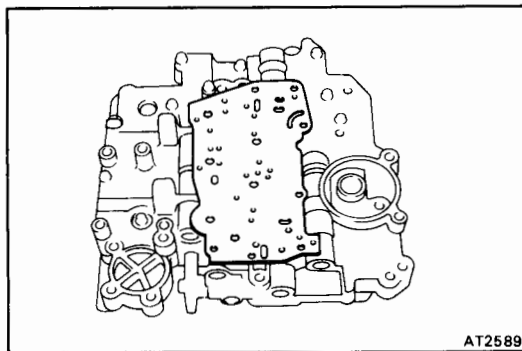
- 3. INSTALL AND FINGER TIGHTEN THE EIGHT BOLTS IN UPPER VALVE BODY TO SECURE LOWER VALVE BODY**

**NOTE:** Each bolt length (mm) is indicated in the figure.



- 4. TURN ASSEMBLY OVER AND FINGER TIGHTEN THE NINE BOLTS IN LOWER VALVE BODY**

**NOTE:** Each bolt length (mm) is indicated in the figure.

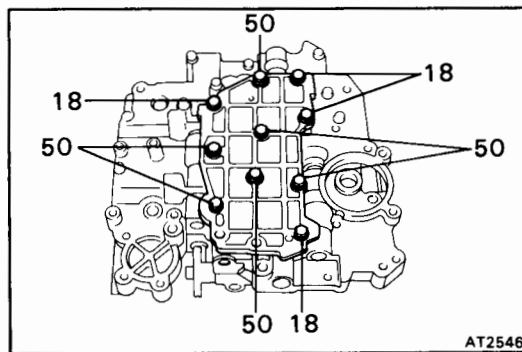


- 5. INSTALL LOWER VALVE BODY COVER**

(a) Install a new gasket, plate and another new gasket.

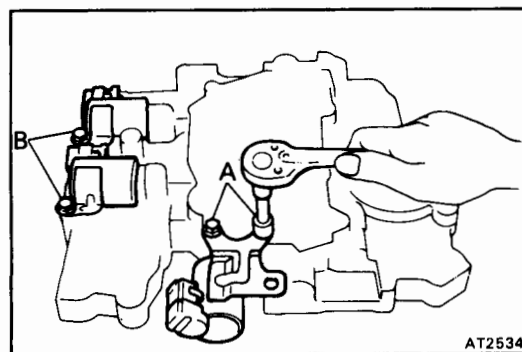
(b) Install the cover over the gasket and finger tighten the ten bolts on the valve body cover.

**NOTE:** Each bolt length (mm) is indicated in the figure.



- 6. TIGHTEN THE TWENTY-SEVEN BOLTS IN VALVE BODY**

**Torque:** 65 kg-cm (56 in.-lb, 6.4 N·m)



- 7. INSTALL SOLENOIDS**

**Torque:** A 65 kg-cm (56 in.-lb, 6.4 N·m)  
B 100 kg-cm (7 ft-lb, 10 N·m)

## ASSEMBLY OF TRANSMISSION

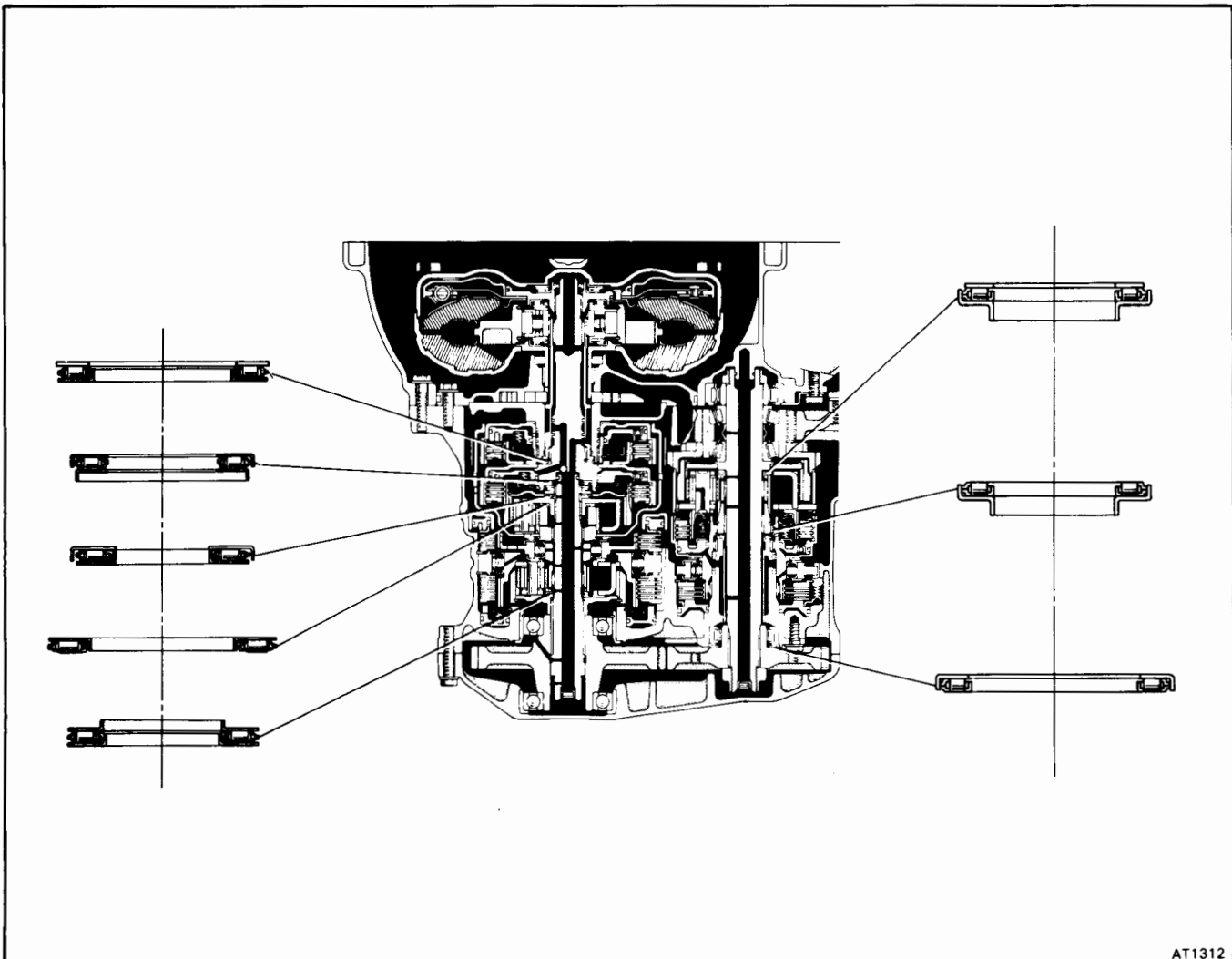
(See pages AT-50 to 52)

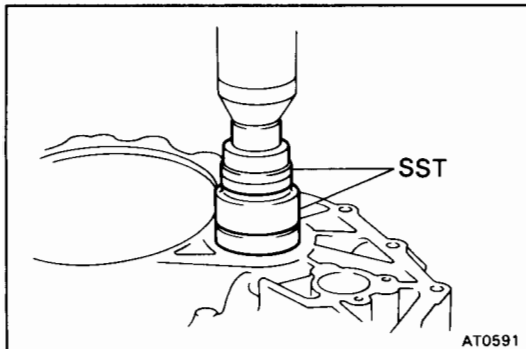
Disassembly, inspection and assembly of each component group have been indicated in the preceding chapter.

### GENERAL ASSEMBLY NOTES:

1. The automatic transmission is composed of highly precision-finished parts, necessitating careful inspection before assembly because even a small nick could cause fluid leakage or affect performance.
2. Before assembling new clutch discs, soak them in automatic transmission fluid for at least two hours.
3. Apply automatic transmission fluid on the sliding or rotating surfaces of parts before assembly.
4. Use petroleum jelly to keep small parts in their places.
5. Do not use adhesive cements on gaskets and similar parts.
6. When assembling the transmission, be sure to use new gaskets and O-rings.
7. Dry all parts by blowing with compressed air. Never use shop rags.
8. Be sure to install the thrust bearings and races in the correct direction and position.

Before assembly, make sure again that all component groups are assembled correctly. If something wrong is found in a certain component group during assembly, inspect and repair this group immediately. Recommended ATF: DEXRON® II.

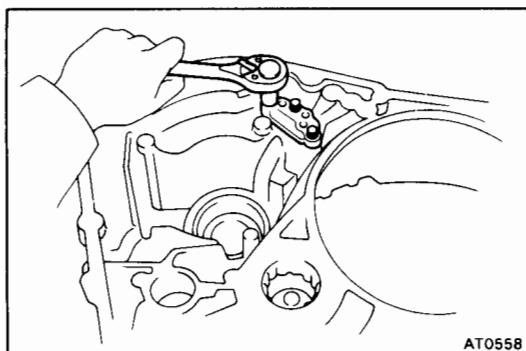
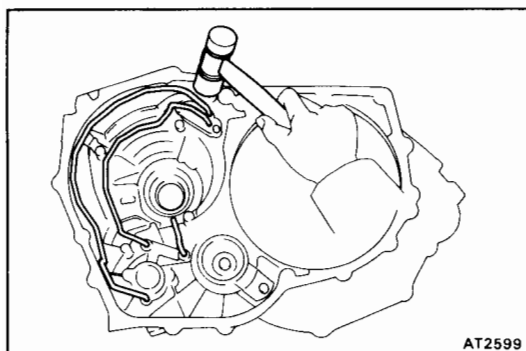


**1. INSTALL BEARING TO TRANSAXLE HOUSING**

- (a) Using SST and a press, press the bearing into the transaxle housing.

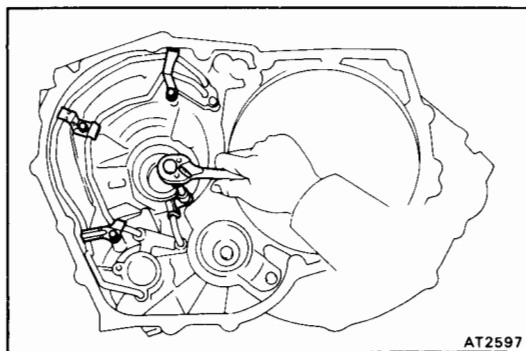
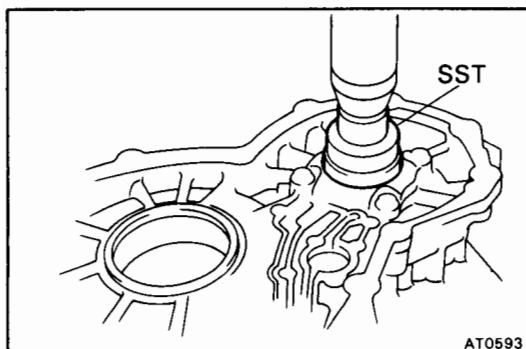
SST 09350-32013 (09351-32090, 09351-32150)

- (b) Install the bearing stopper.

**2. INSTALL OIL TUBE APPLY COVER****3. INSTALL OIL TUBES**

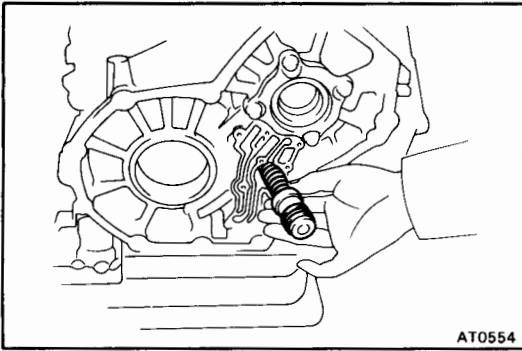
Using a plastic hammer, install the three tubes.

**CAUTION:** Be careful not to bend or damage the tubes.

**4. INSTALL OIL TUBE CLAMPS****5. INSTALL BEARING TO TRANSMISSION CASE**

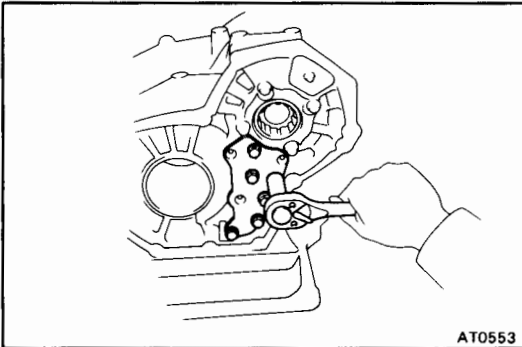
Using SST and a press, press in the bearing.

SST 09350-32013 (09351-32090)



AT0554

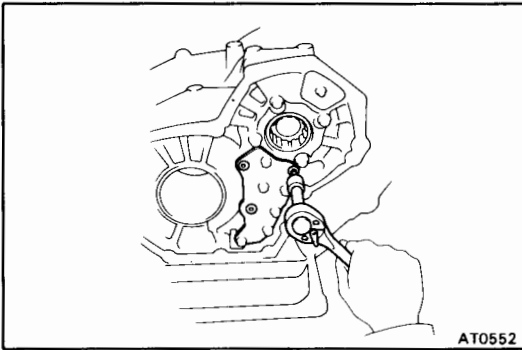
## 6. INSTALL B<sub>4</sub> ACCUMULATOR PISTON AND SPRING



AT0553

## 7. INSTALL OIL GALLERY COVER AND GASKET

- (a) Install the oil gallery cover and gasket.
- (b) Install and tighten the six bolts.



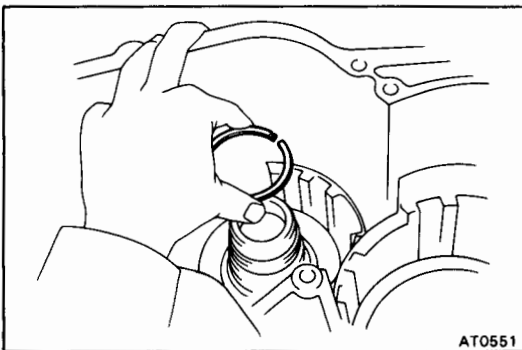
AT0552

- (c) Clean the threads of the screws and case with white gasoline.

- (d) Apply seal packing or equivalent to the three screws.

**Seal packing: Part No. 08833-00070, THREE BOND 1324 or equivalent**

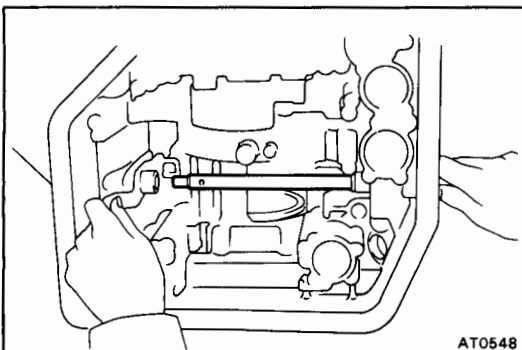
- (e) Install and tighten the three screws.



AT0551

## 8. INSTALL OIL SEAL RINGS TO TRANSMISSION CASE

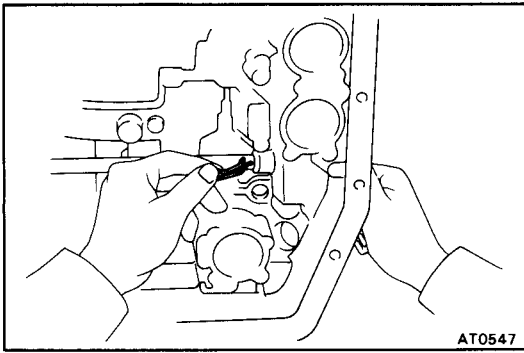
**NOTE:** After installing the oil seal rings, check that they move smoothly.



AT0548

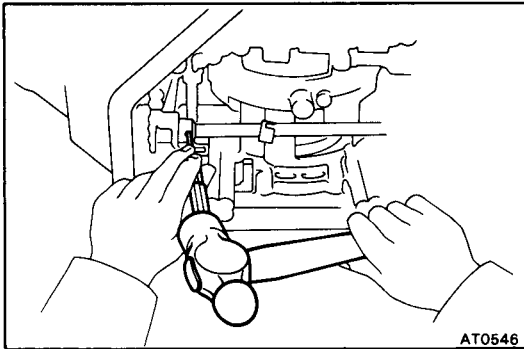
## 9. INSTALL MANUAL SHAFT AND LEVER

- (a) Slide in the shaft and install the washer, spacer and manual lever.



(b) Install the retaining spring.

NOTE: Make sure there is a washer between the retaining spring and case.

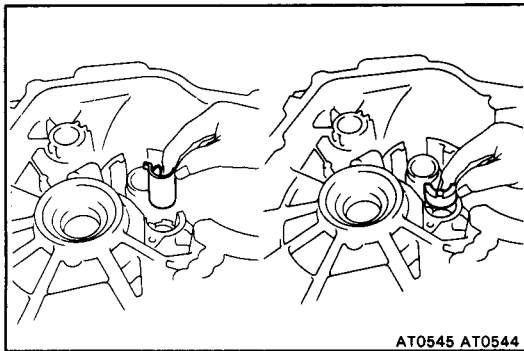


#### 10. INSTALL PIN

Using a punch and a hammer, drive in the pin.

#### 11. STAKE SPACER

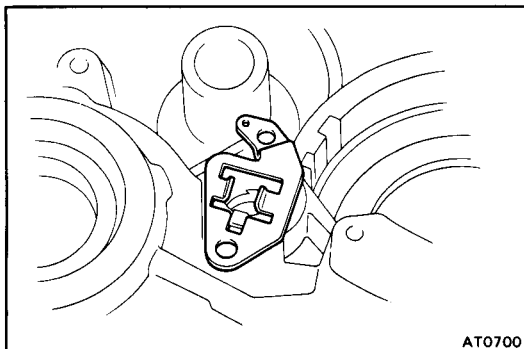
Position and stake the spacer.



#### 12. INSTALL CAM GUIDE BRACKET

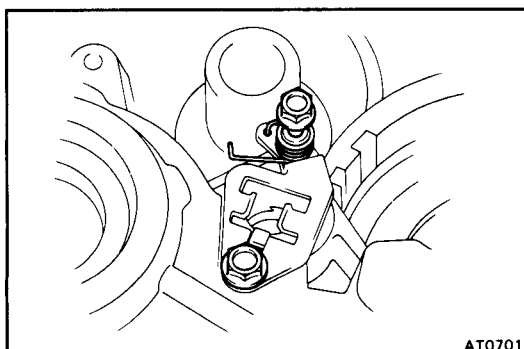
Install the cam guide bracket and then insert the parking lock rod into the guide bracket.

#### 13. INSTALL PARKING LOCK SLEEVE PROTRUDING PORTION UPWARD



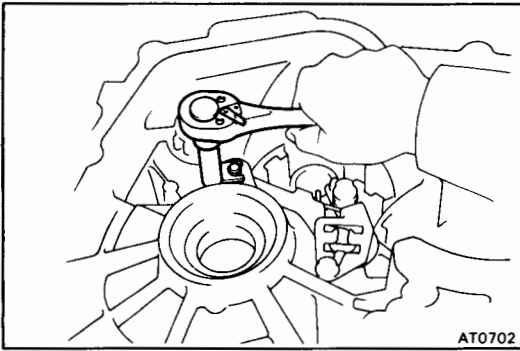
#### 14. PLACE STOPPER PLATE

Place the stopper plate on the protruding portion of lock sleeve.

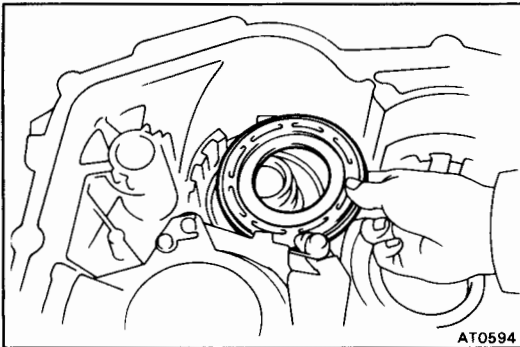


#### 15. INSTALL GUIDE SLEEVE AND SPRING



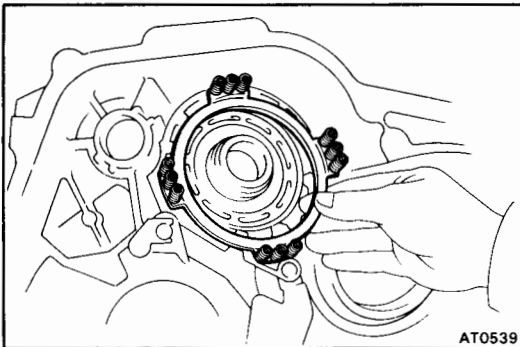


**16. INSTALL PARKING LOCK PAWL, PAWL SHAFT AND SHAFT CLAMP**

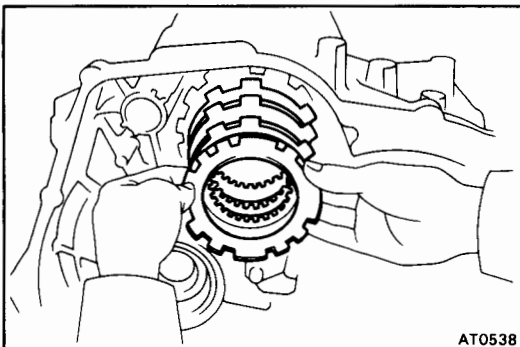


**17. INSTALL UNDERDRIVE BRAKE PISTON**

- (a) Install new O-rings on the piston.  
Coat the O-rings with ATF.
- (b) Place the piston into the case with the cup side up, being careful not to damage the O-rings.

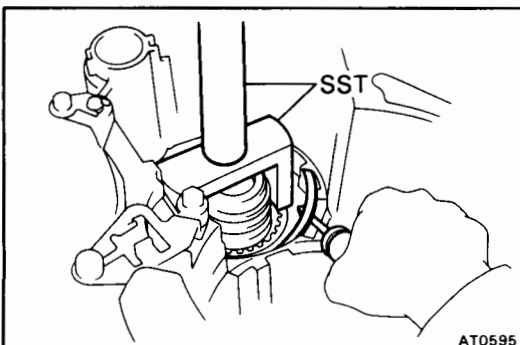


**18. INSTALL BRAKE PISTON RETURN SPRING**



**19. INSTALL PLATES, DISCS AND FLANGE**

- (a) Install in order: Plate-disc-plate-disc-plate-disc
- (b) Install the flange facing the flat end upward.



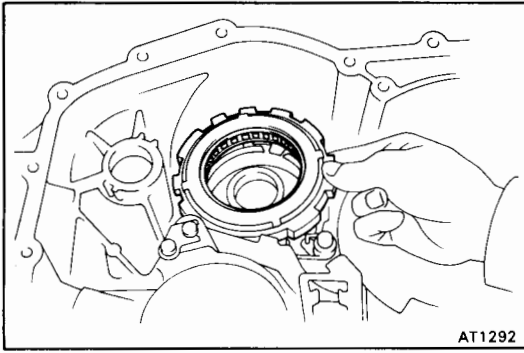
**20. COMPRESS RETURN SPRING AND INSTALL SNAP RING IN GROOVE**

- (a) Place SST on the flange, and compress the return spring with a press.

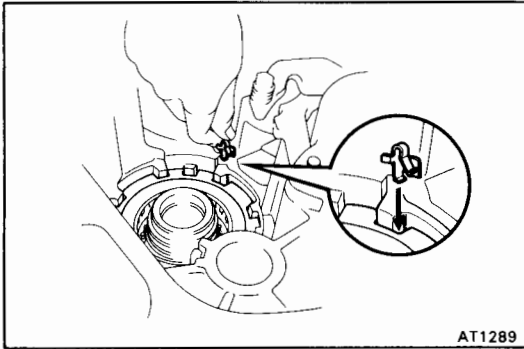
SST 09350-32013 (09351-32070, 09351-32130)

- (b) Install the snap ring.

**NOTE:** Be sure the end gap of the snap ring is not aligned with one of the cutouts.

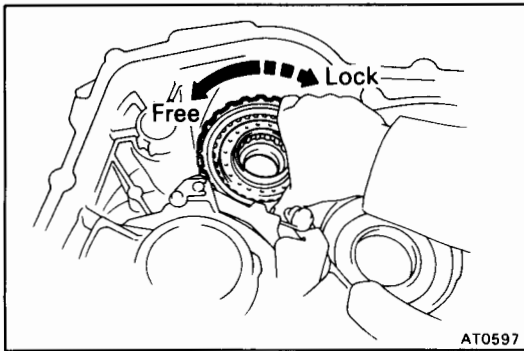


**21. INSTALL UNDERDRIVE ONE-WAY CLUTCH**



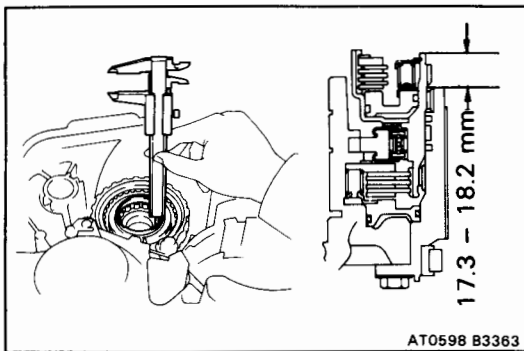
**22. INSTALL ANTI-RATTLE CLIP**

In the place shown in the figure (the space between the one-way clutch outer race and case), push the anti-rattle clip in until you hear the "click".



**23. INSTALL UNDERDRIVE CLUTCH ASSEMBLY**

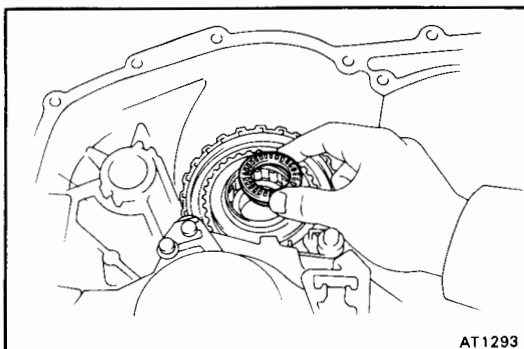
- (a) Align the flukes of discs in the underdrive brake.
- (b) Install the clutch assembly.
- (c) Turn the clutch assembly. The clutch assembly should turn freely counterclockwise and should lock clockwise.



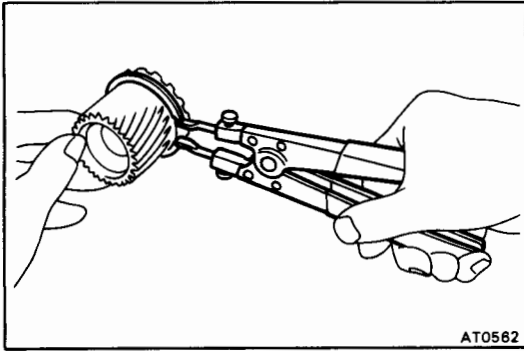
**24. CHECK HEIGHT CLUTCH ASSEMBLY**

Using vernier calipers, check the height from the sleeve to the inner race.

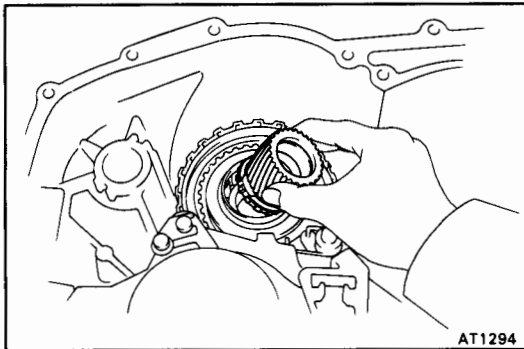
**Height:** 17.3 – 18.2 mm (0.681 – 0.717 in.)



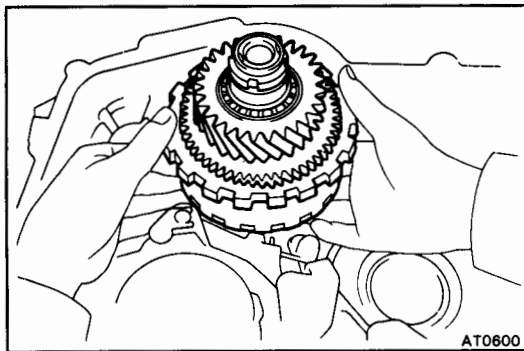
**25. INSTALL RACE WITH BEARING**



**26. INSTALL SNAP RING TO SUN GEAR WITH SNAP RING PLIERS**

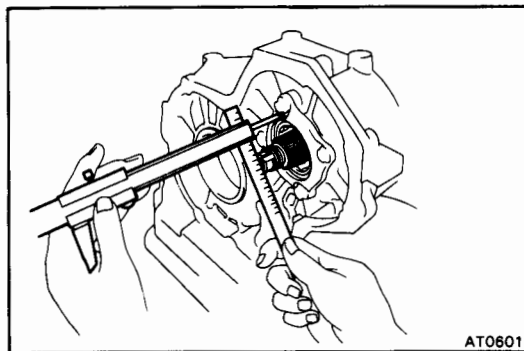


**27. INSTALL SUN GEAR TO CASE**



**28. INSTALL COUNTER SHAFT ASSEMBLY**

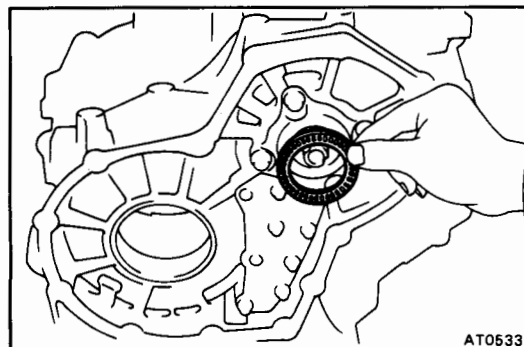
- (a) Align the flukes of the discs in the underdrive clutch.
- (b) Install the counter shaft assembly.



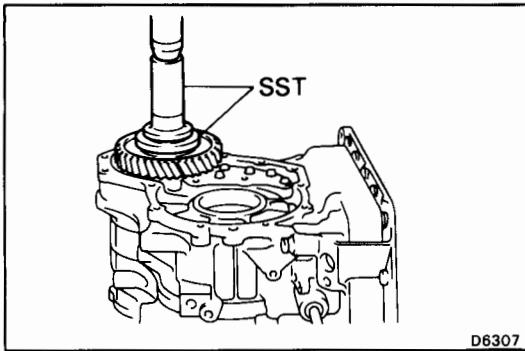
**29. CHECK HEIGHT OF COUNTER SHAFT**

Using vernier calipers, measure the distance between the tip of the counter shaft and bolt seat of the clutch support.

Height: (A240E) 38.3 – 40.5 mm  
(1.508 – 1.594 in.)  
(A241E) 33.3 – 35.5 mm  
(1.311 – 1.398 in.)

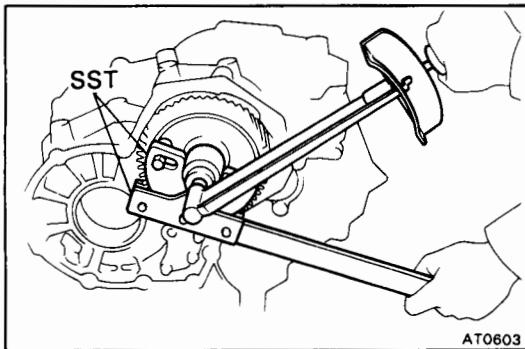


**30. INSTALL THRUST NEEDLE BEARING**

**31. INSTALL COUNTER DRIVEN GEAR**

Using SST and a press, press in the driven gear.

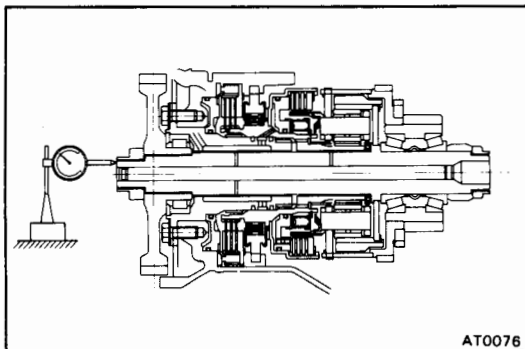
SST 09350-32013 (09351-32100, 09351-32140)

**32. TIGHTEN NEW LOCK NUT**

Using SST to hold the driven gear, tighten a new lock nut.

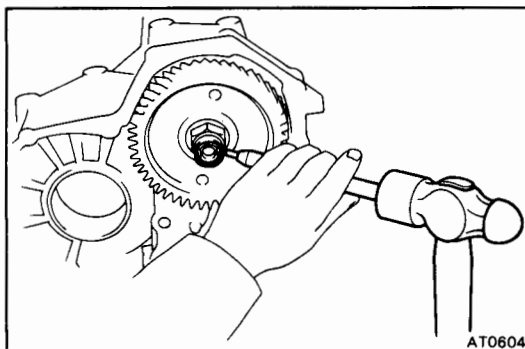
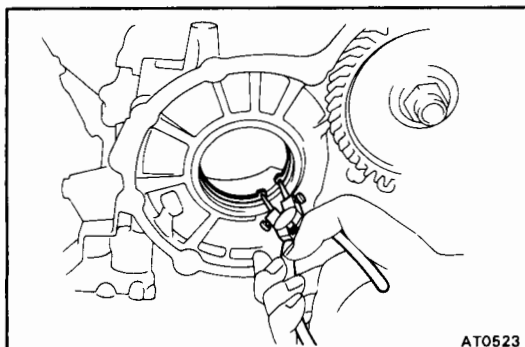
SST 09330-00021 and 09350-32013 (09351-32031)

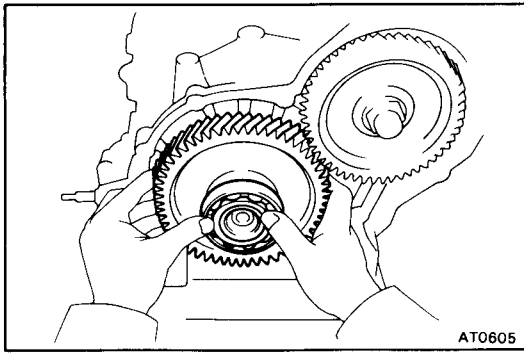
Torque: 1,600 kg-cm (116 ft-lb, 157 N·m)

**33. CHECK END PLAY OF COUNTER SHAFT**

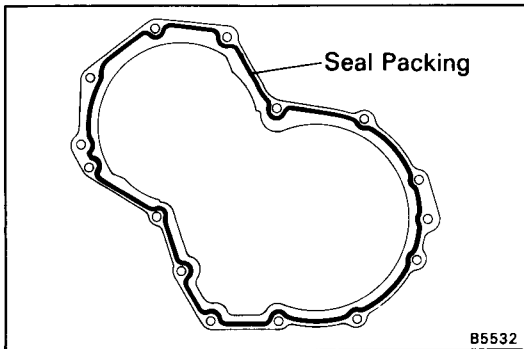
Using a dial indicator, measure the end play of the counter shaft.

End play: 0.23 – 0.89 mm (0.0091 – 0.0350 in.)

**34. STAKE LOCK NUT****35. INSTALL SNAP RING TO TRANSMISSION CASE**



### 36. INSTALL INTERMEDIATE SHAFT

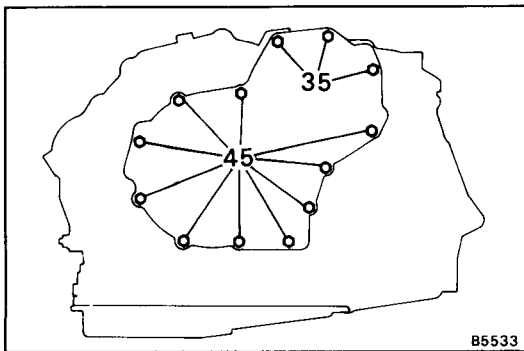


### 37. INSTALL TRANSAXLE REAR COVER

(a) Remove any packing material and be careful not to get oil on the contacting surfaces of the transaxle rear cover or transmission case.

(b) Apply seal packing to the rear cover as shown.

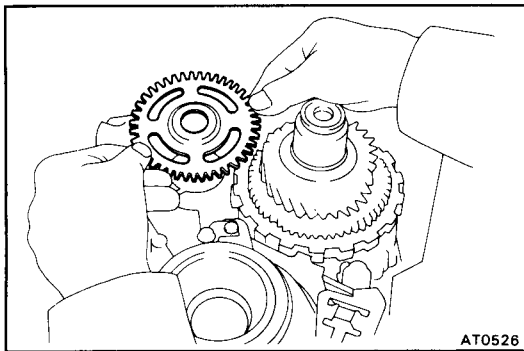
**Seal packing: Part No. 08833-00090, THREE BOND 1131, LOCTITE 518 or equivalent**



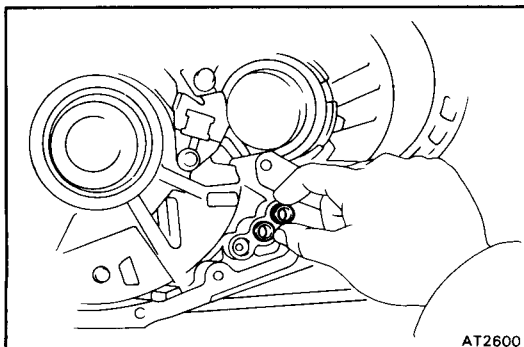
(c) Install and tighten the thirteen bolts.

**Torque: 250 kg-cm (18 ft-lb, 25 N·m)**

**NOTE:** Each bolt length (mm) is indicated in the figure.

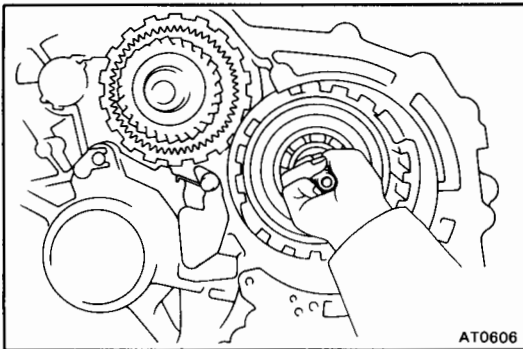


### 38. INSTALL THRUST WASHER AND GOVERNOR DRIVEN GEAR



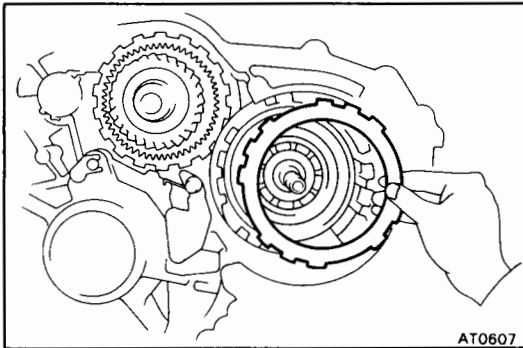
### 39. INSTALL NEW OIL SEALS

Install the two new oil seals.



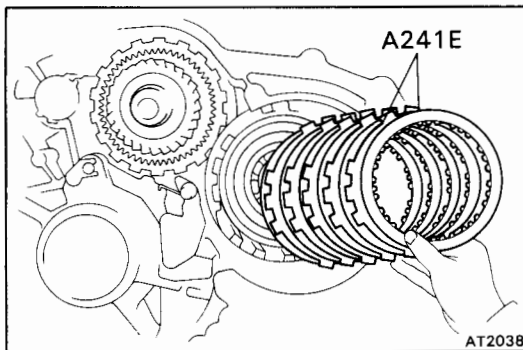
**40. CHECK INTERMEDIATE SHAFT**

Make sure that the intermediate shaft turns smoothly.



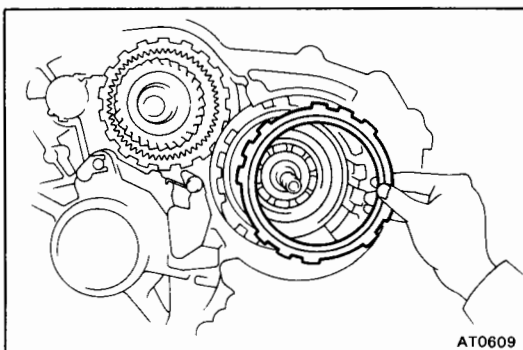
**41. INSTALL FIRST AND REVERSE BRAKE IN CASE**

(a) Install the inner flange, facing the flat end toward you.



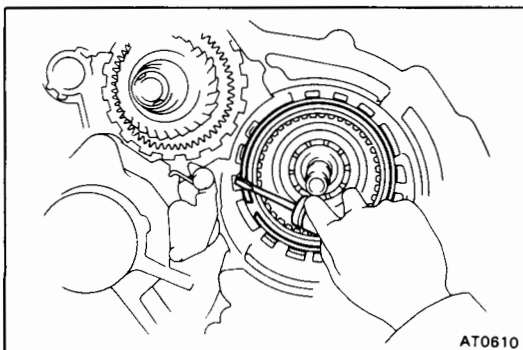
(b) Install in order:  
 (A240E) Disc-plate-disc-plate-disc-plate-disc-plate-disc  
 (A241E) Disc-plate-disc-plate-disc-plate-disc-plate-disc-plate-disc

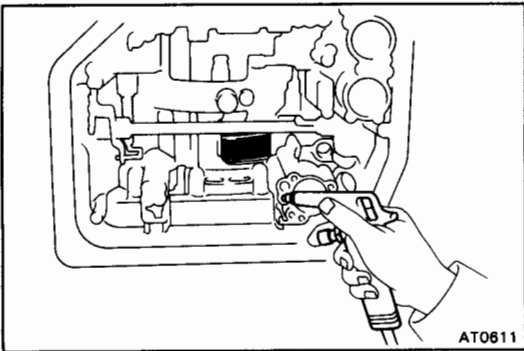
(c) Install the outer flange, facing the flat end toward the inner side.



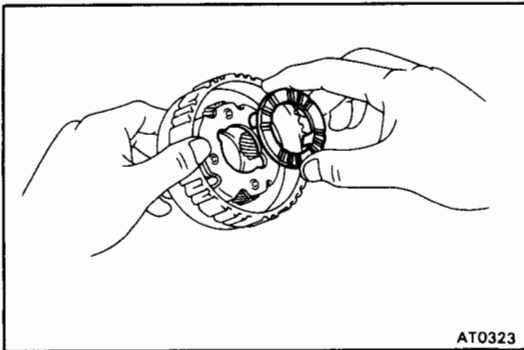
**42. INSTALL SNAP RING**

Be sure the snap ring end gap is not aligned with one of the cutouts.



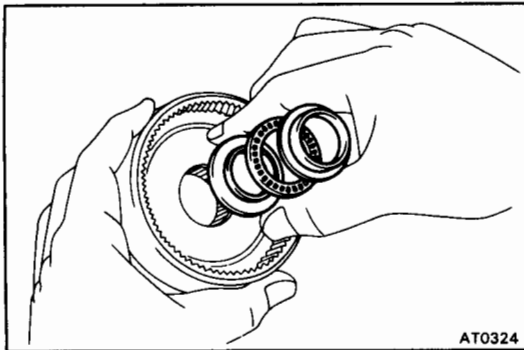
**43. CHECK OPERATION OF FIRST AND REVERSE BRAKE**

Apply compressed air into the oil passage with the case and be sure that the piston moves.

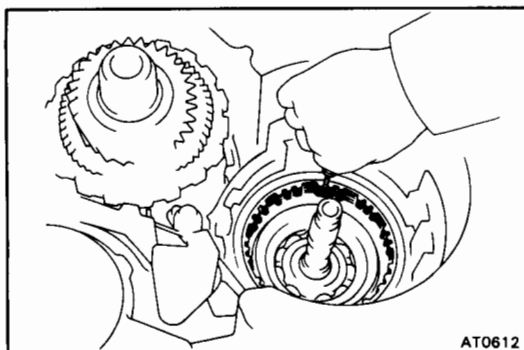
**44. INSTALL NO. 2 PLANETARY CARRIER THRUST WASHER**

Coat thrust washer with petroleum jelly and install it onto the planetary carrier.

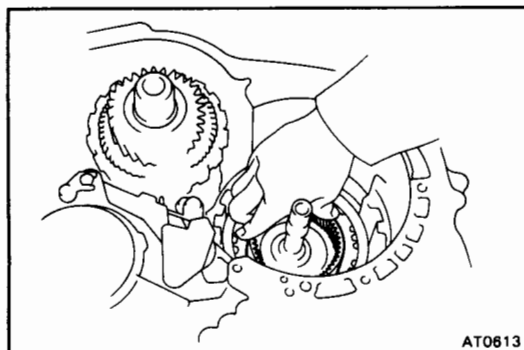
**NOTE:** Make sure that the different lug shapes match the openings on the carrier.

**45. INSTALL RACES AND BEARING**

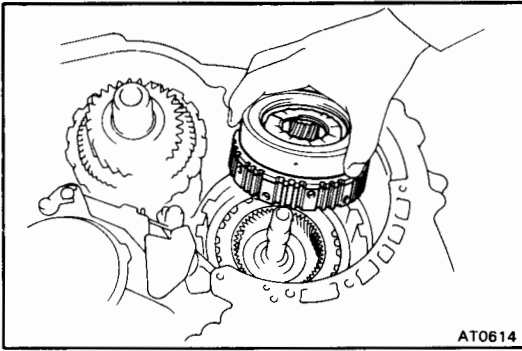
Coat the races and bearing with petroleum jelly and install them onto the ring gear.

**46. INSTALL REAR PLANETARY RING GEAR INTO CASE**

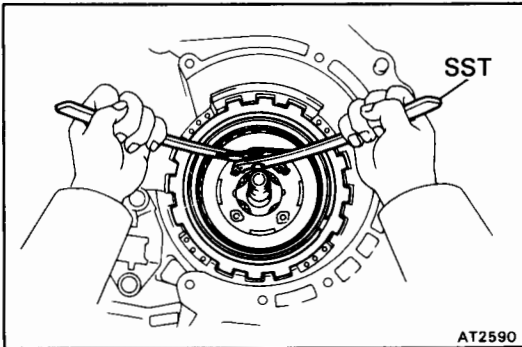
(a) Align the flukes of the discs.



(b) Install the rear planetary ring gear into the case.

**47. INSTALL REAR PLANETARY GEAR**

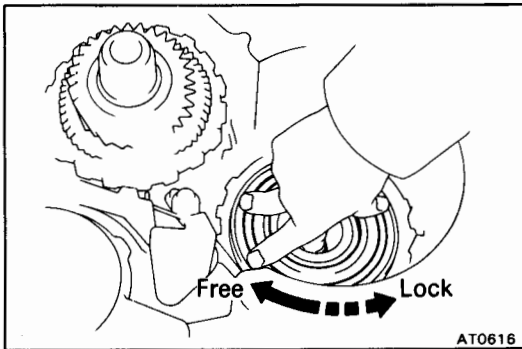
Align the spline of the planetary carrier with the flukes of the discs and install the planetary gear into the first and reverse brake discs.

**48. INSTALL NO. 2 ONE-WAY CLUTCH INTO CASE WITH SHINY SIDE UPWARD**

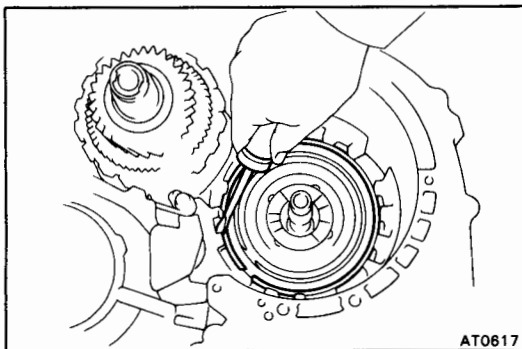
- (a) Place the one-way clutch into the case, facing the shiny side upward.
- (b) Install the one-way clutch onto the inner race while turning the planetary gear clockwise with SST.

SST 09350-32013 (09351-32050)

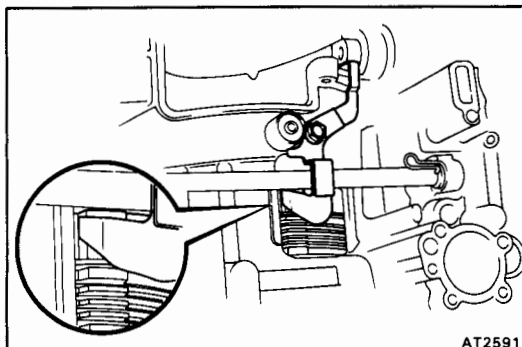
- (c) Coat the thrust washer with petroleum jelly and install it onto the planetary gear.

**49. CHECK OPERATION OF NO. 2 ONE-WAY CLUTCH**

Turn the planetary carrier. The carrier should turn freely clockwise and lock counterclockwise.

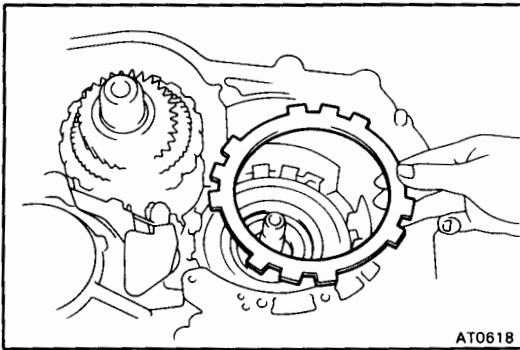
**50. INSTALL SNAP RING**

Be sure the end gap of the snap ring is not aligned with one of the cutouts.

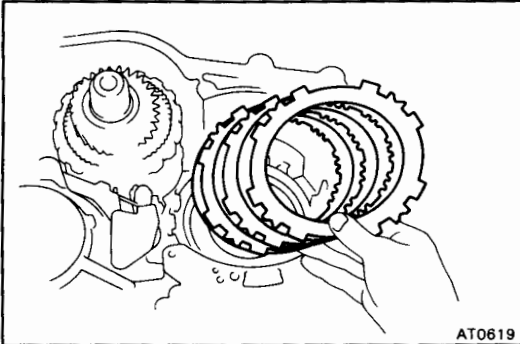
**51. INSTALL SECOND COAST BRAKE BAND GUIDE**

Install the band guide so that its tip touches the case.

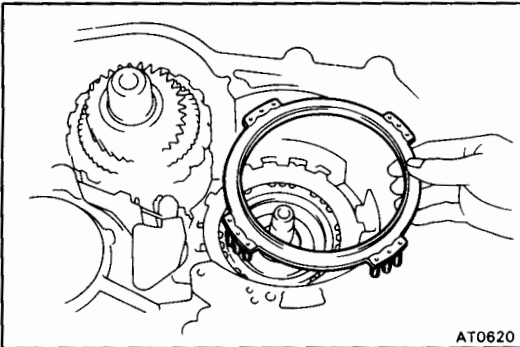


**52. INSTALL SECOND BRAKE INTO CASE**

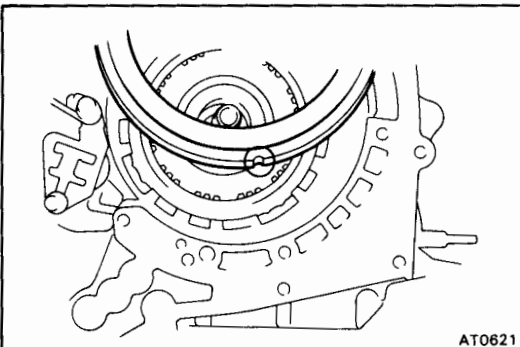
(a) Install the flange, facing the flat end upward.



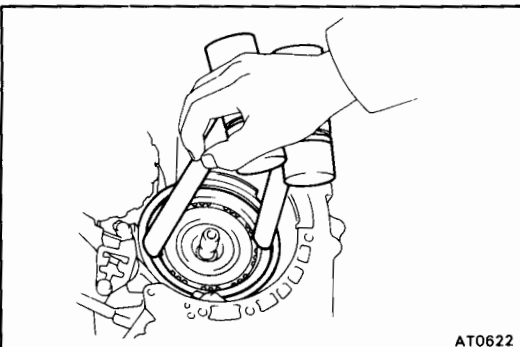
(b) Install in order: Disc-plate-disc-plate-disc-plate

**53. INSTALL PISTON RETURN SPRING ASSEMBLY**

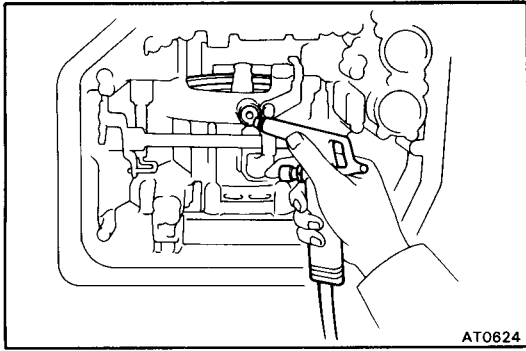
Install each of the springs over the protrusions in the case.

**54. INSTALL SECOND BRAKE DRUM INTO CASE**

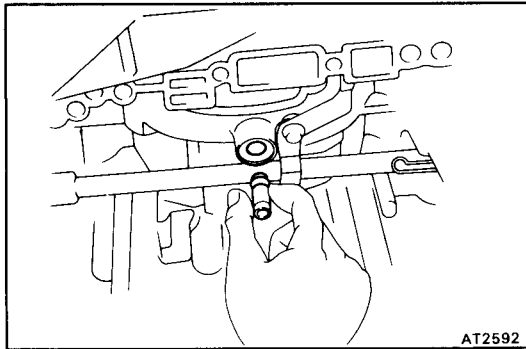
Align the groove of the drum with the bolt and place it into the case.

**55. INSTALL SNAP RING**

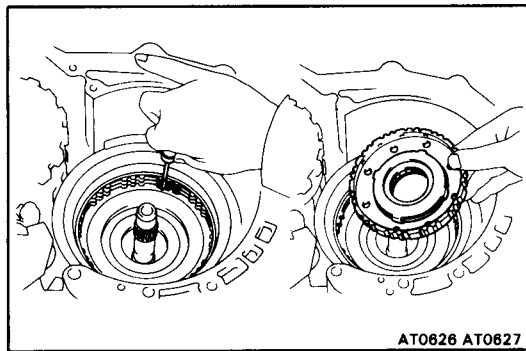
- (a) Place the snap ring into the case so that the end gap is installed into the groove.
- (b) While compressing the piston return springs over the drum with hammer handles, install the snap ring. Be sure the end gap of the snap ring is not aligned with one of the cutouts.

**56. CHECK OPERATION OF SECOND BRAKE**

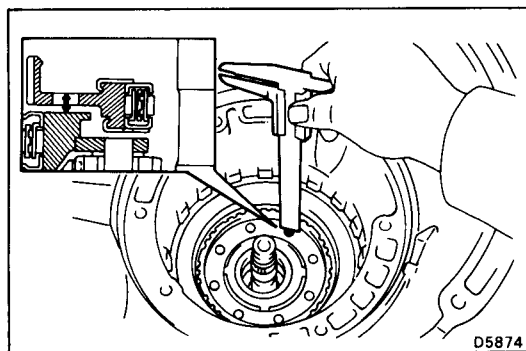
Apply compressed air into the oil passage of the case, and be sure that the piston moves.

**57. INSTALL SECOND BRAKE DRUM GASKET**

Install a new drum gasket until it makes contact with the 2nd brake drum.

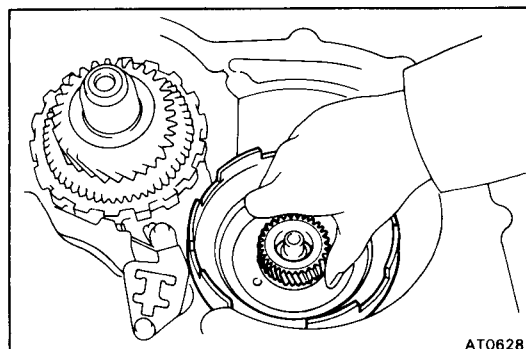
**58. INSTALL NO. 1 ONE-WAY CLUTCH AND SECOND BRAKE HUB**

- (a) Align the flukes of the discs in the 2nd brake.
- (b) Align the spline of the hub with the flukes of the discs and install the hub to the 2nd brake discs.

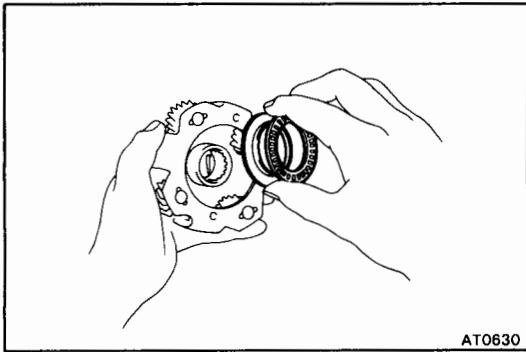
**59. CHECK SECOND BRAKE HUB INSTALLATION DISTANCE**

Check the distance between the surface of the 2nd brake hub and rear planetary gear.

**Distance: Approx. 5 mm (0.20 in.)**

**60. INSTALL SUN GEAR AND SUN GEAR INPUT DRUM**

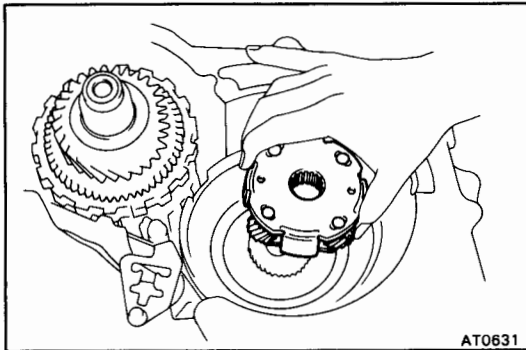
While turning the sun gear clockwise, install it into the one-way clutch.



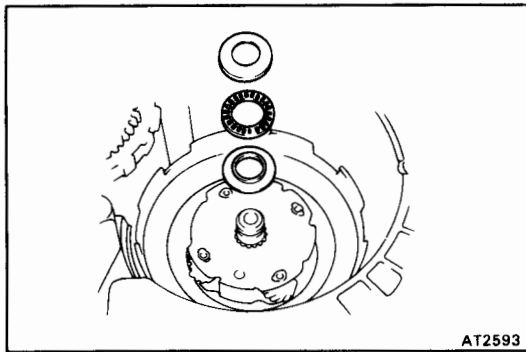
AT0630

**61. INSTALL RACE AND BEARING**

Coat the race and the bearing with petroleum jelly and install them onto the planetary gear.



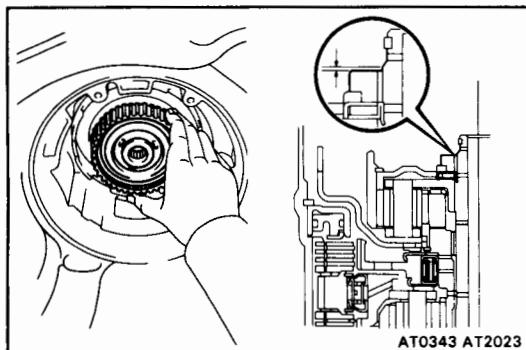
AT0631

**62. INSTALL FRONT PLANETARY GEAR**

AT2593

**63. INSTALL RACES AND BEARING**

Coat the races and the bearing with petroleum jelly and install them onto the planetary gear.

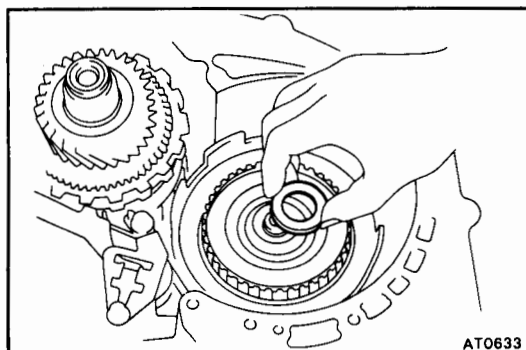


AT0343 AT2023

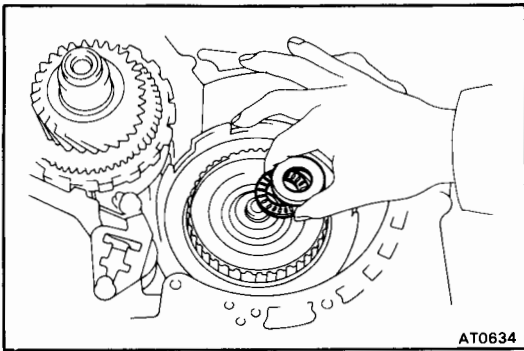
**64. INSTALL FRONT PLANETARY RING GEAR**

- (a) If the planetary gear and the other parts are installed correctly into the case, the end of the bushing with the ring gear flange will be flush with a shoulder of the intermediate shaft or under.

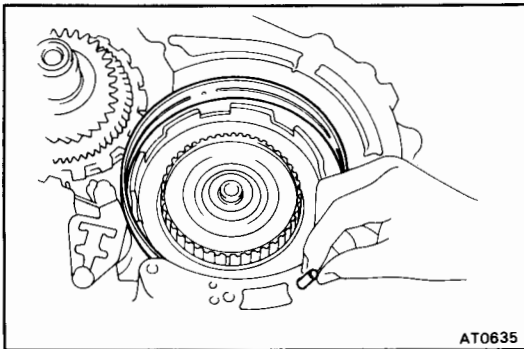
- (b) Coat the race with petroleum jelly and install it onto the tip of ring gear flange.



AT0633

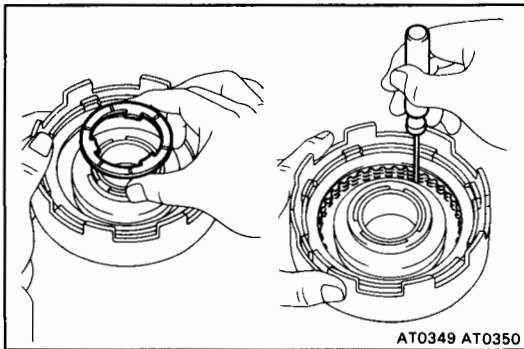


- (c) Coat the race and bearing with petroleum jelly and install them.



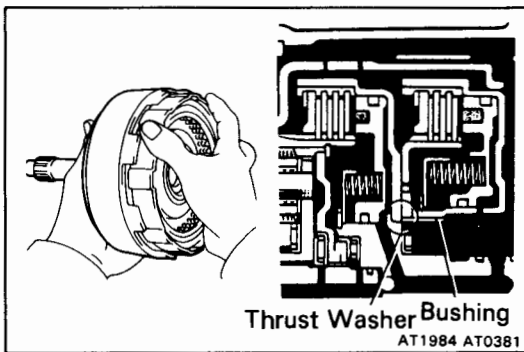
**65. INSTALL SECOND COAST BRAKE BAND**

- (a) Place the band into the case.
- (b) Install the pin through the oil pump mounting bolt hole.

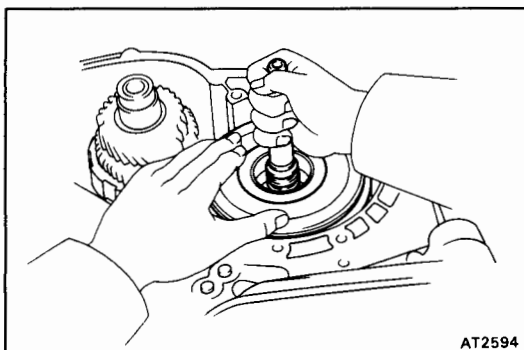


**66. INSTALL FORWARD CLUTCH AND DIRECT CLUTCH**

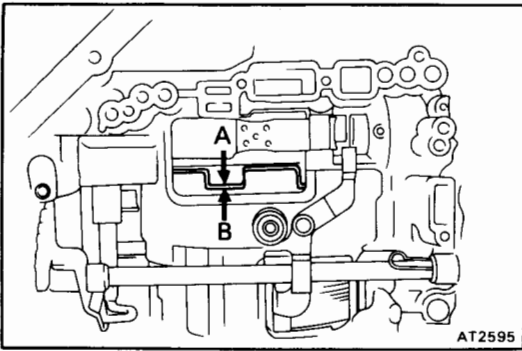
- (a) Coat the race and bearing with petroleum jelly, and install them onto the forward clutch drum.
- (b) Coat the clutch drum thrust washer with petroleum jelly and install it with the oil groove facing upward onto the direct clutch drum.
- (c) Align the flukes of discs in the direct clutch.



- (d) Mesh the hub with the flukes of the direct clutch while turning the clutch drum or forward clutch.
- (e) If the flukes of the discs are meshed with the hub correctly, the end of the bushing with the direct clutch drum will be flush with the surface of the forward clutch.

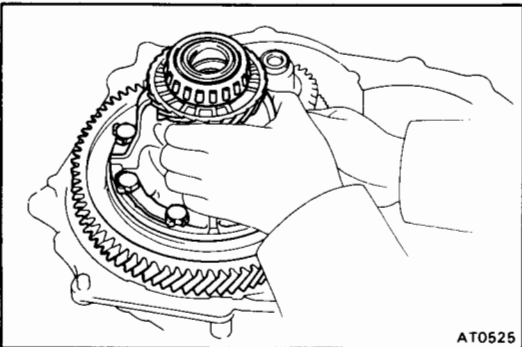


- (f) Place the direct clutch and forward clutch into the case.
- (g) While rotate the forward clutch to mesh the front planetary ring gear and discs.

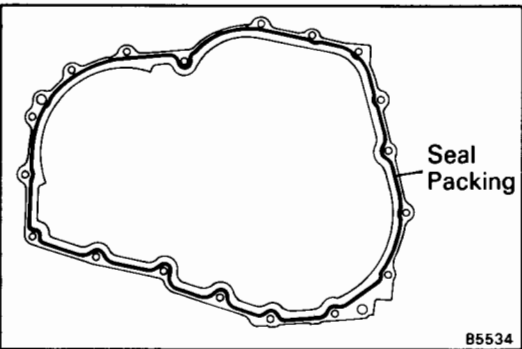


(h) Check the distance between the A and B as shown in the illustration.

**Distance: Approx. 3 mm (0.118 in.)**



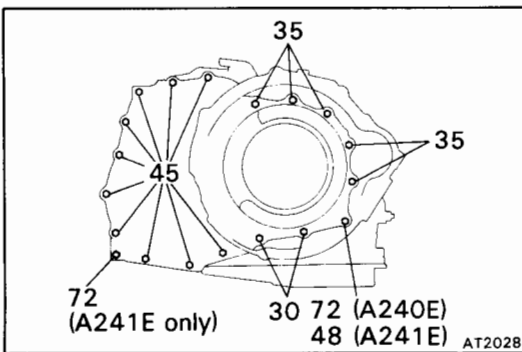
**67. INSTALL DIFFERENTIAL**



**68. INSTALL TRANSAXLE HOUSING**

- (a) Remove any packing material and be careful not to get oil on the contacting surfaces of the transaxle housing or transmission case.
- (b) Apply seal packing to the transaxle housing as shown.

**Seal packing: Part No. 08833-00090, THREE BOND 1131, LOCTITE 518 or equivalent**



(c) Install and tighten the bolts.

(A240E) eighteen bolts

(A241E) nineteen bolts

**Torque: 300 kg-cm (22 ft-lb, 29 N·m)**

**NOTE:** Each bolt length (mm) is indicated in the figure.

**69. CHECK PRELOAD OF DIFFERENTIAL SIDE BEARING (See page AT-141)**

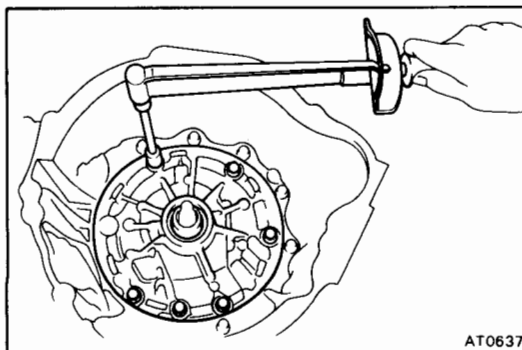
**70. INSTALL OIL PUMP INTO CASE**

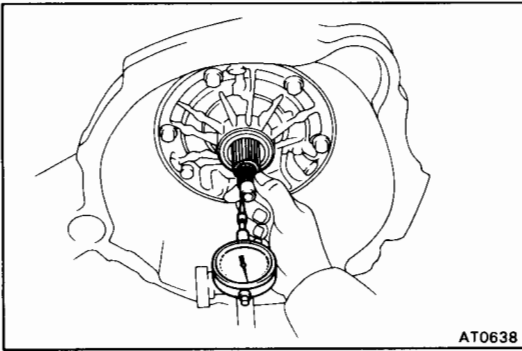
- (a) Coat the O-ring with ATF.
- (b) Install the O-ring around the pump body.
- (c) Place the oil pump through the input shaft, and align the bolt holes of the pump body with the transmission case.
- (d) Hold the input shaft, and lightly press the oil pump body to slide the oil seal rings on the stator shaft through the direct clutch drum.

**CAUTION:** Do not push on the oil pump strongly or the oil seal ring will stick to the direct clutch drum.

(e) Install the six bolts.

**Torque: 250 kg-cm (18 ft-lb, 25 N·m)**





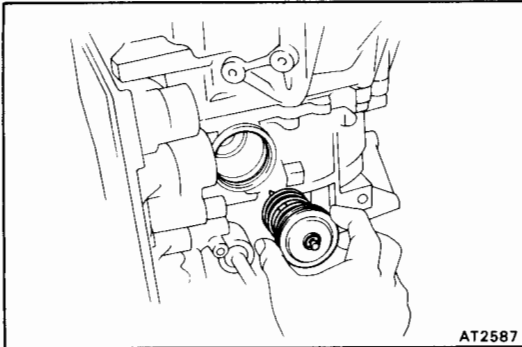
**71. MEASURE THRUST PLAY OF INPUT SHAFT**

Measure the thrust play in axial direction.

**Thrust play: 0.2 – 0.9 mm (0.008 – 0.035 in.)**

NOTE: There are two different thicknesses of races for the end of the stator shaft. If necessary, select one of them.

**Race thicknesses: 0.8 mm (0.031 in.)  
1.4 mm (0.055 in.)**



**72. CHECK INPUT SHAFT ROTATION**

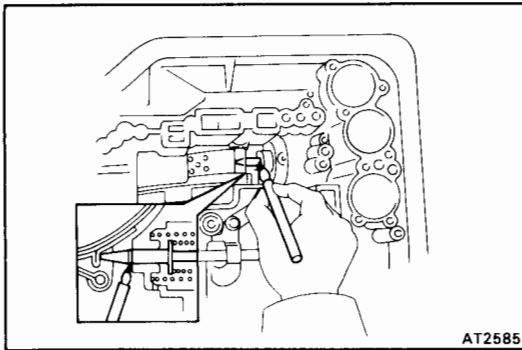
Make sure that the input shaft rotates smoothly.

**73. INSTALL SECOND COAST BRAKE PISTON**

- (a) Install the outer spring with the piston.
- (b) Place the cover into the bore.
- (c) Using SST, install the snap ring while pressing the cover.

SST 09350-32013 (09351-32050)

- (d) Check that the front end of the piston rod contacts the center of the second brake band depression.



**74. CHECK SECOND COAST BRAKE PISTON STROKE**

- (a) Apply a small amount of paint to the piston rod at the point it meets the case as shown in the illustration.
- (b) Using SST, measure the piston stroke applying and releasing the compressed air (4 – 8 kg/cm<sup>2</sup>, 57 – 114 psi or 392 – 785 kPa) as shown.

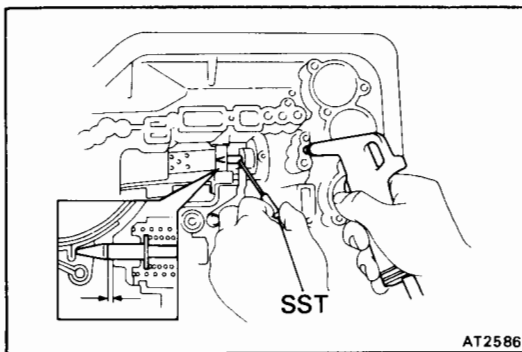
SST 09240-00020

**Piston stroke: 1.5 – 3.0 mm (0.059 – 0.118 in.)**

If the stroke is more than standard value, replace the piston rod with a longer one.

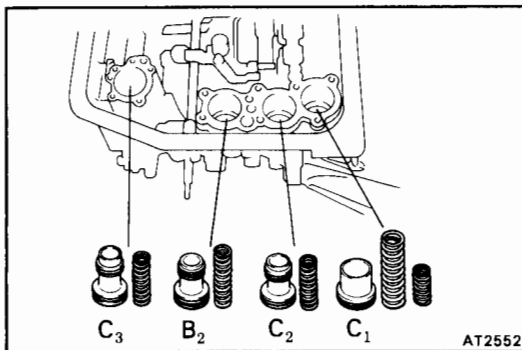
**Piston rod length: 72.9 mm (2.870 in.)  
71.4 mm (2.811 in.)**

Remeasure the stroke. If it is still more than standard value, replace the brake band with a new one.

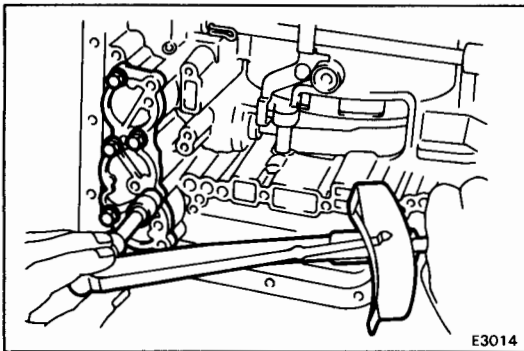


**75. INSTALL ACCUMULATOR PISTONS AND SPRINGS**

- (a) Coat new O-rings with ATF, install them to the pistons.
- (b) Install the pistons and springs.

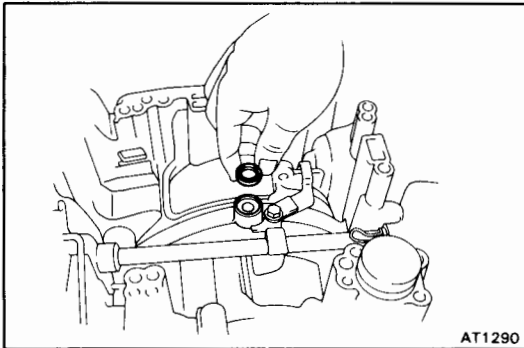


		Spring	Free length mm (in.)	Color
C <sub>1</sub>	A240E	Outer	71.10 (2.7992)	None
		Inner	42.50 (1.6732)	White
	A241E	Outer	74.07 (2.9161)	Pink
		Inner	41.00 (1.6142)	Pink
C <sub>2</sub>			62.68 (2.4677)	Light Green
B <sub>2</sub>	A240E		66.68 (2.6252)	Red
	A241E		66.68 (2.6252)	Gray
C <sub>3</sub>			61.47 (2.4201)	White

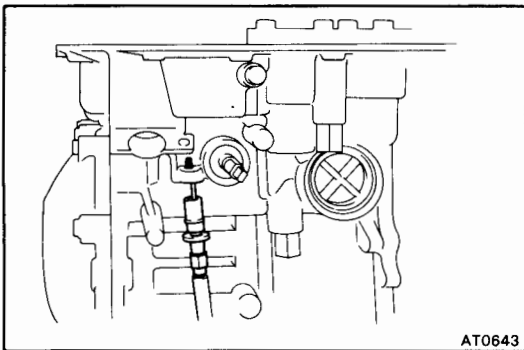


(c) Install a new gasket and accumulator cover.

**Torque: 100 kg-cm (7 ft-lb, 10 N·m)**



#### 76. INSTALL SECOND BRAKE APPLY GASKET

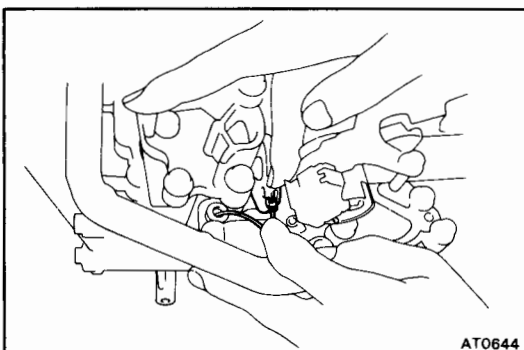


#### 77. INSTALL THROTTLE CABLE IN CASE

Push the cable through the case, being careful not to damage the O-ring. Check for full seating.

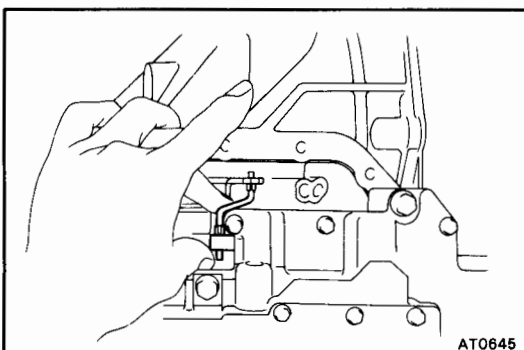
**CAUTION:** In subsequent work, do not roll the case over the cable to avoid breaking the cable fitting.

#### 78. INSTALL SOLENOID WIRE IN CASE



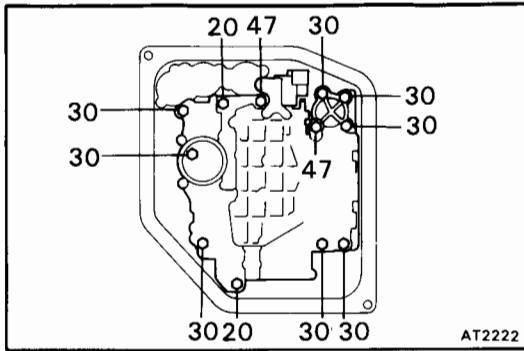
#### 79. PLACE VALVE BODY ON TRANSMISSION

(a) While holding the cam down with your hand, slip the cable end into the slot.



(b) Connect the connecting rod to the manual valve lever.

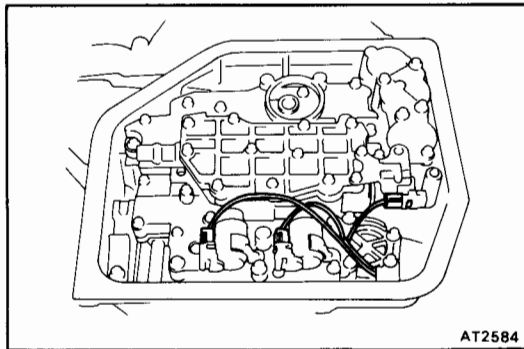
(c) Lower the valve body into place.



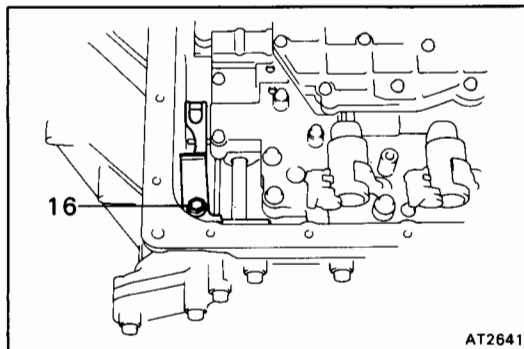
**80. INSTALL THE TWELVE BOLTS IN VALVE BODY**

**NOTE:** Each bolt length (mm) is indicated in the figure.  
Hand tighten all the bolts first. Then, tighten them with a torque wrench.

**Torque:** 100 kg-cm (7 ft-lb, 10 N·m)



**81. CONNECT SOLENOID CONNECTORS**



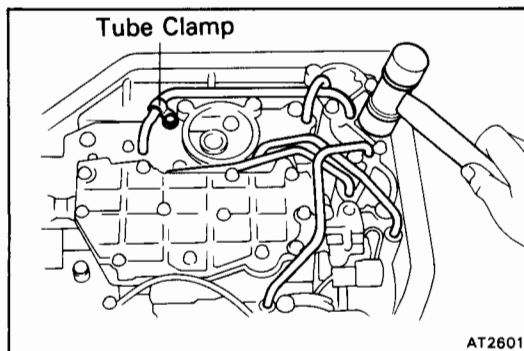
**82. INSTALL DETENT SPRING**

The bolt length (mm) is indicated in the figure.

(a) Hand tighten the bolt first. Then, tighten it with a torque wrench.

**Torque:** 100 kg-cm (7 ft-lb, 10 N·m)

(b) Check that the manual valve lever is in contact with the center of the roller at the tip of the detent spring.

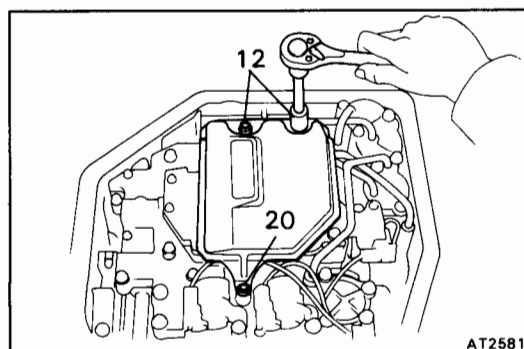


**83. INSTALL OIL TUBES**

(a) Tap the tubes with a plastic hammer to install them into the positions indicated in the figure.

**CAUTION:** Be careful not to bend or damage the tubes.

(b) Install the oil tube clamp.

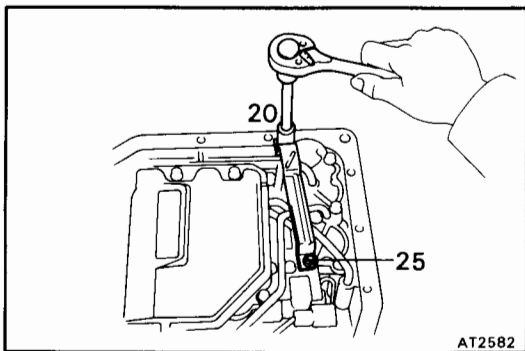


**84. INSTALL OIL STRAINER**

**NOTE:** Each bolt length (mm) is indicated in the figure.

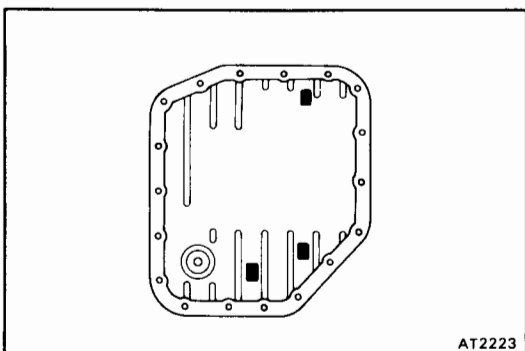
**Torque:** 100 kg-cm (7 ft-lb, 10 N·m)



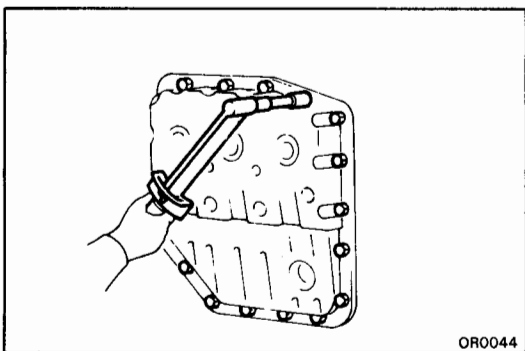
**85. INSTALL OIL TUBE BRACKET**

Each bolt length (mm) is indicated in the figure.

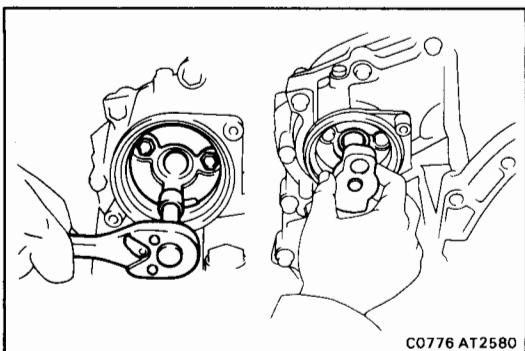
**Torque: 100 kg-cm (7 ft-lb, 10 N·m)**

**86. INSTALL MAGNETS IN PLACE AS SHOWN**

**CAUTION:** Make sure that the magnet does not interfere with the oil tubes.

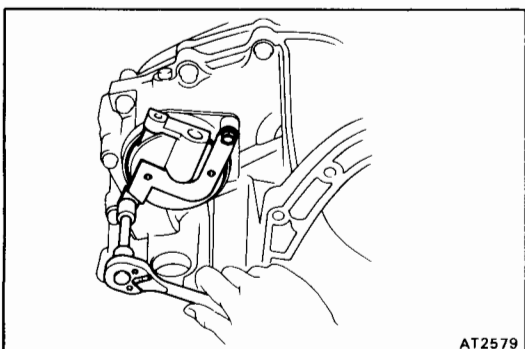
**87. INSTALL OIL PAN WITH NEW GASKET**

**TORQUE: 50 kg-cm (43 in.-lb, 4.9 N·m)**

**88. INSTALL SPEED SENSOR**

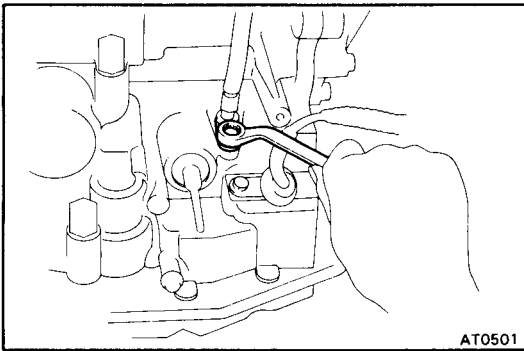
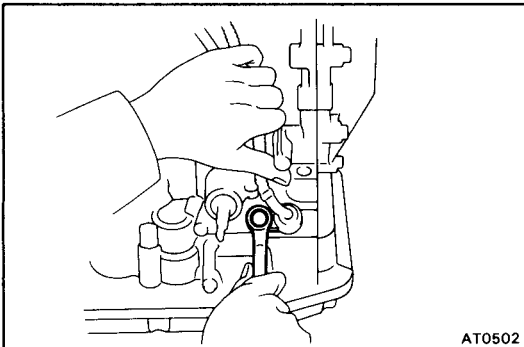
(a) Install the sensor rotor adaptor.

(b) Install the sensor rotor.



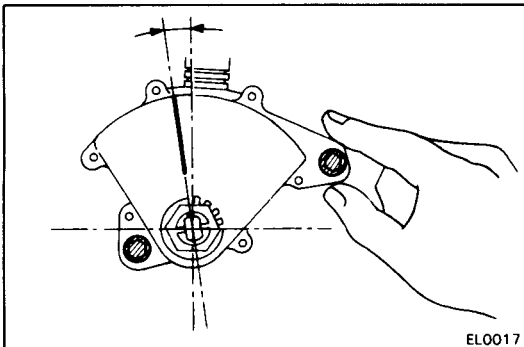
(c) Install the sensor cover.

(d) Install the speed sensor.

**89. INSTALL THROTTLE CABLE RETAINING PLATE****90. INSTALL SOLENOID WIRE RETAINING PLATE****91. INSTALL NEUTRAL START SWITCH**

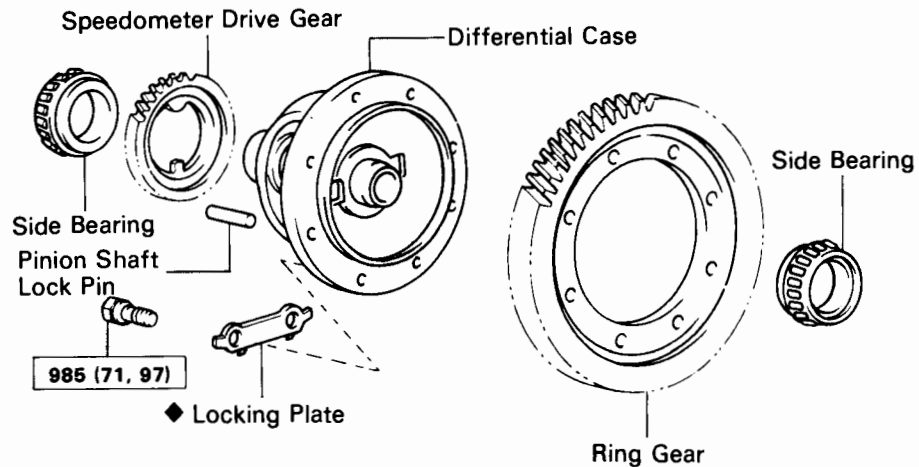
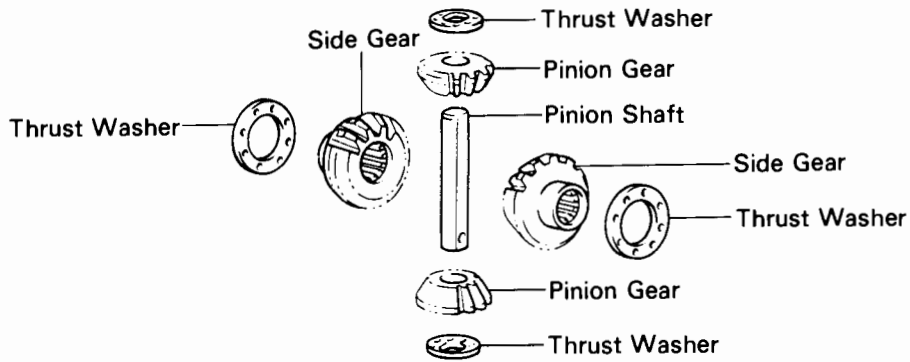
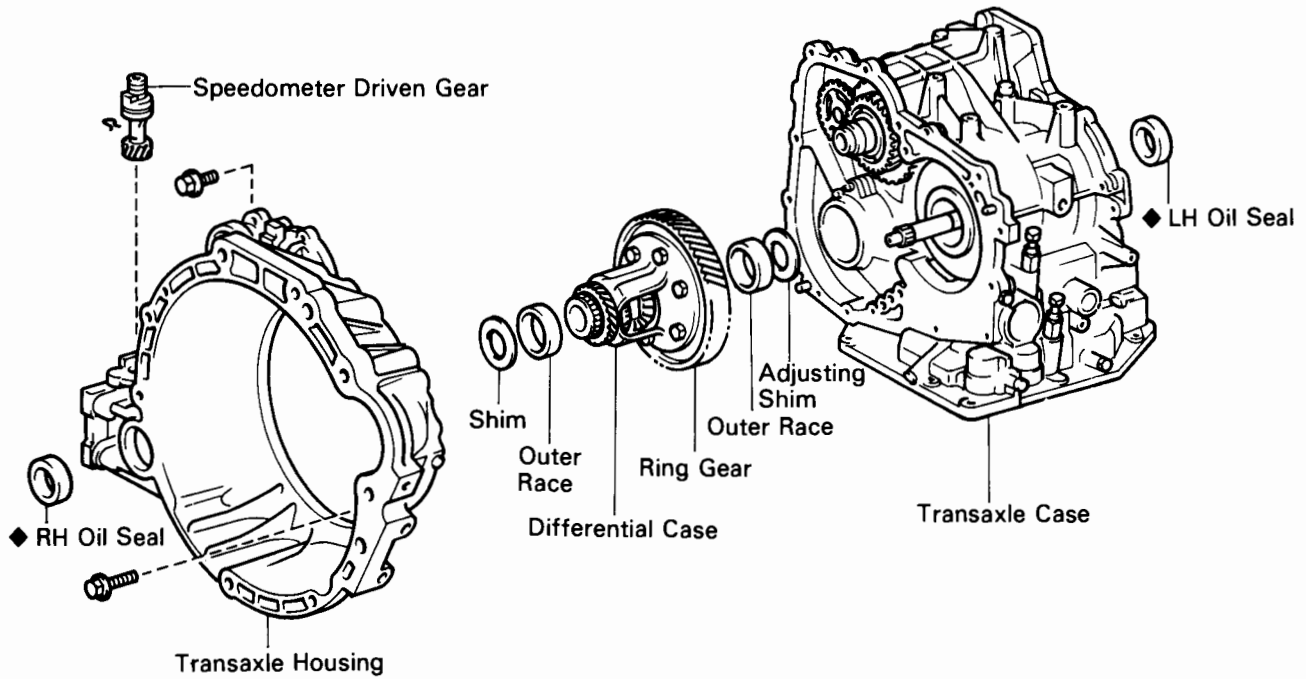
Tighten the nut and stake it with the lock washer.

Torque: 70 kg-cm (61 in.-lb, 6.9 N·m)

**92. ADJUST NEUTRAL START SWITCH**  
(See page AT-6)**93. INSTALL MANUAL SHIFT LEVER****94. INSTALL THE OIL COOLER PIPES**

Torque: 350 kg-cm (25 ft-lb, 34 N·m)

# DIFFERENTIAL COMPONENTS

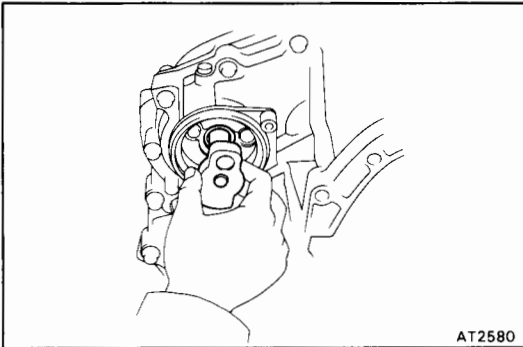


kg-cm (ft-lb, N·m) : Specified torque

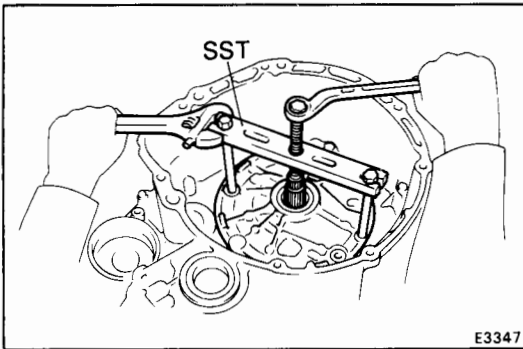
◆ Non-reusable part

## REMOVAL OF DIFFERENTIAL

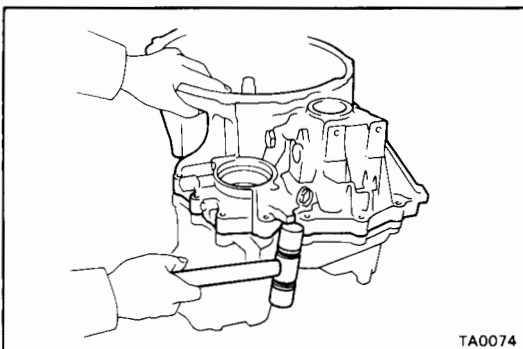
### 1. REMOVE SPEEDOMETER DRIVEN GEAR



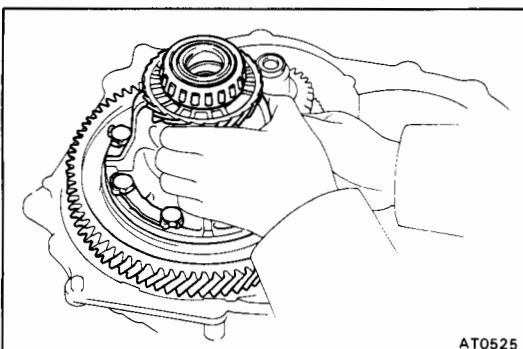
### 2. REMOVE SPEED SENSOR AND SENSOR ROTOR (See page AT-53)



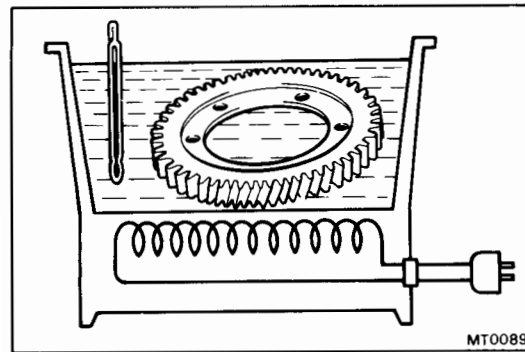
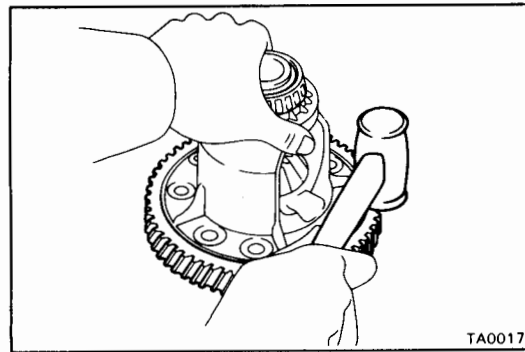
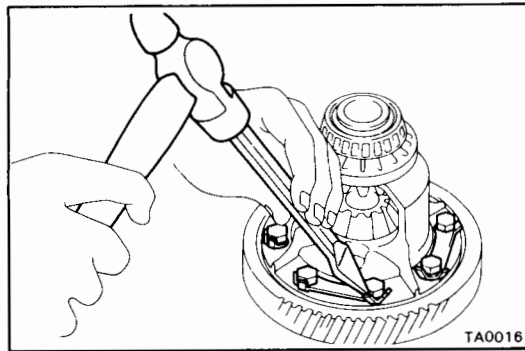
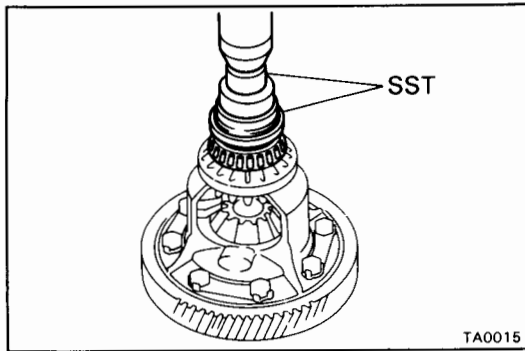
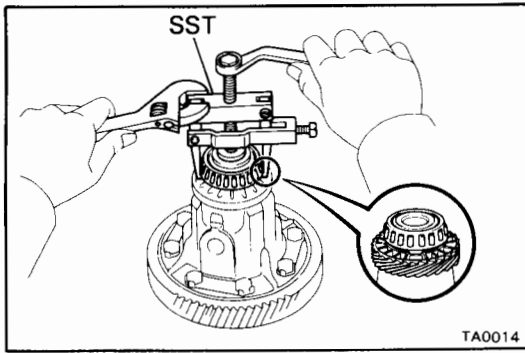
### 3. REMOVE OIL PUMP (See page AT-57) SST 09350-32013 (09351-32061)



### 4. REMOVE TRANSAXLE HOUSING (See page AT-63)



### 5. REMOVE DIFFERENTIAL



## REPLACEMENT OF DIFFERENTIAL

### 1. REPLACE SIDE BEARING FROM DIFFERENTIAL CASE

- (a) Setting SST to the cut-out portion on the speedometer drive gear, remove the bearings from both sides of the case.

SST 09502-10012

- (b) Using SST and a press, press the side bearings onto the differential case.

SST 09350-32013 (09351-32090, 09351-32120)

### 2. REPLACE RING GEAR

- (a) Loosen the staked part of the lock plate.

- (b) Remove the eight bolts and locking plates.

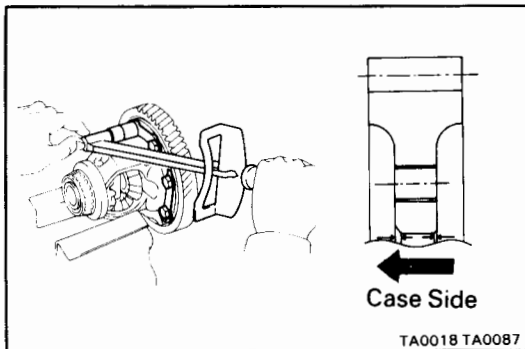
- (c) Using a copper hammer, tap on the ring gear to remove it from the case.

- (d) Clean the contact surface of the differential case.

- (e) Heat the ring gear to about 100°C (212°F) in an oil bath.

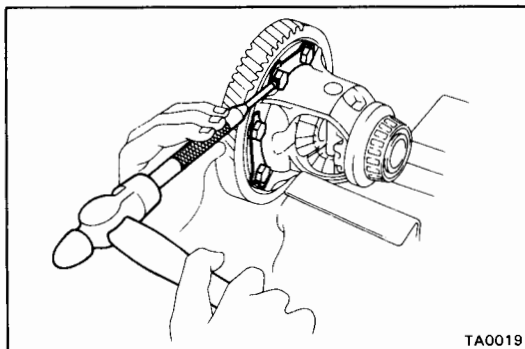
**CAUTION:** Do not heat the ring gear above 110°C (230°F).

- (f) Clean the contact surface of the ring gear with cleaning solvent.



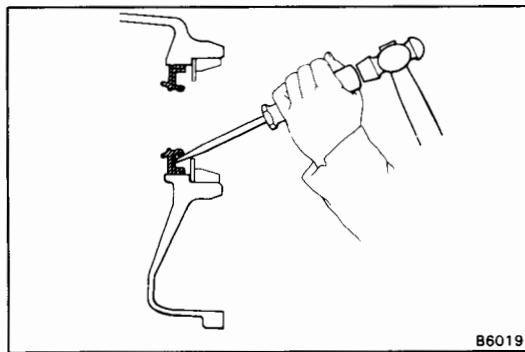
- (g) Quickly install the ring gear on the differential case.
- (h) Install new locking plates and set bolts.  
Tighten the set bolts uniformly and a little at a time.  
Torque the bolts.

**Torque: 985 kg-cm (71 ft-lb, 97 N·m)**



- (i) Using a hammer and drift punch, stake the locking plates.

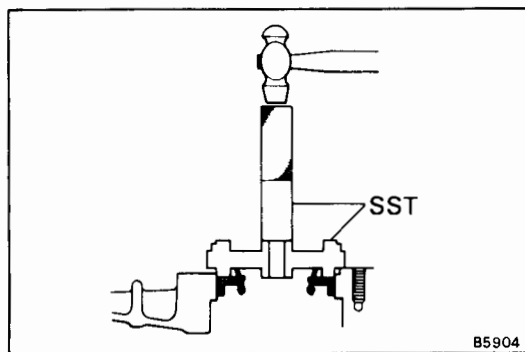
**NOTE:** Stake one claw flush with the flat surface of the nut. For the claw contacting the protruding portion of the nut, stake only the half on the tightened side.



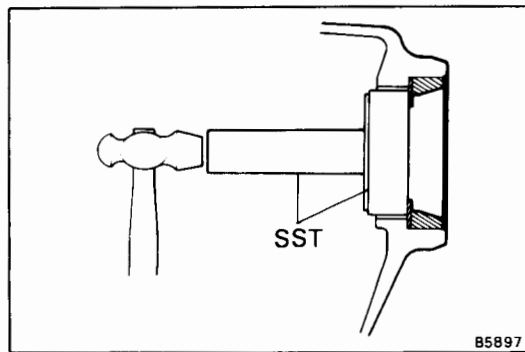
## REPLACEMENT OF OIL SEAL AND OUTER RACE

### 1. REPLACE LH OIL SEAL

- (a) Remove the oil seal.

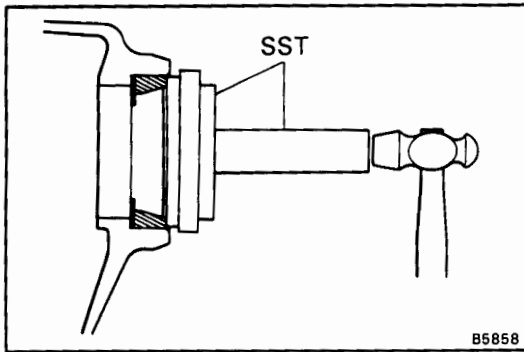


- (b) Using SST, drive in a new oil seal.  
SST 09350-32013 (09351-32130, 09351-32150)
- (c) Coat the lip of the oil seal with MP grease.



### 2. REPLACE LH SIDE BEARING OUTER RACE

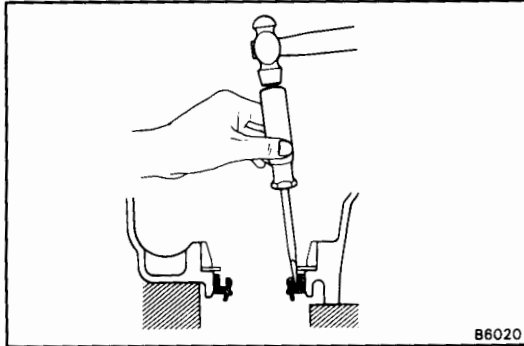
- (a) Remove the oil seal.
- (b) Using SST, drive out the outer race and shim.  
SST 09350-32013 (09351-32130, 09351-32150)



- (c) Place the shim onto the transaxle case.
- (d) Using SST, drive in a new outer race into the transaxle case.

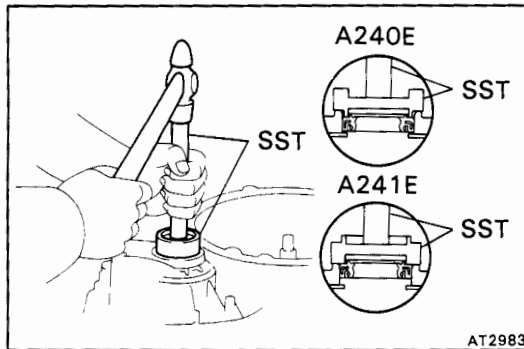
SST 09350-32013 (09351-32111, 09351-32130)

- (e) Install a new oil seal.
- (f) Coat the lip of the oil seal with MP grease.



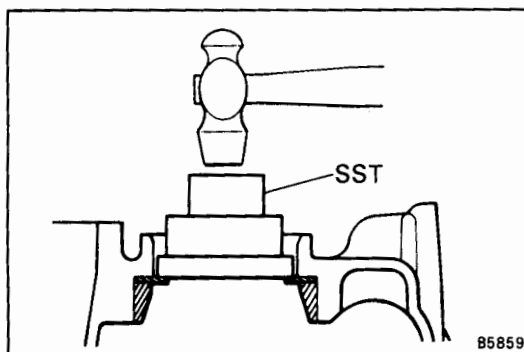
**3. REPLACE RH OIL SEAL**

- (a) Remove the oil seal.



- (b) Using SST, drive in a new oil seal.
- SST 09350-32013 (09351-32130, 09351-32150)

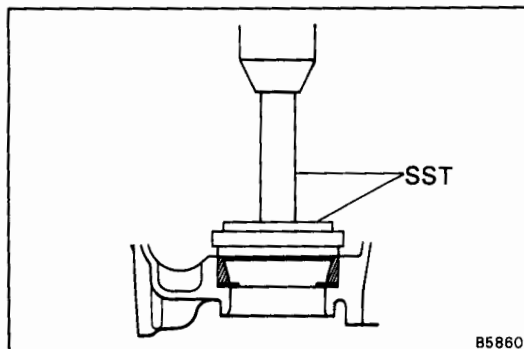
- (c) Coat the lip of the oil seal with MP grease.



**4. REPLACE RH SIDE BEARING OUTER RACE**

- (a) Remove the oil seal.
- (b) Using SST, drive out the outer race and shim.

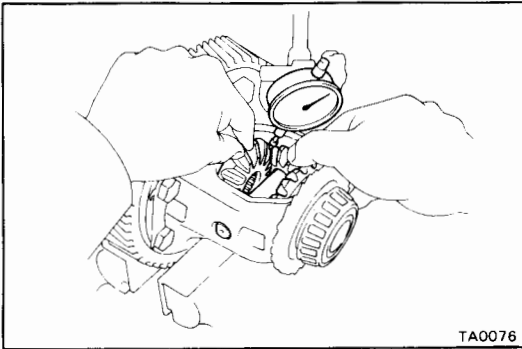
SST 09350-32013 (09351-32090)



- (c) Place the shim onto the transaxle case.
- (d) Using SST, press a new outer race into the transaxle case.

SST 09350-32013 (09351-32111, 09351-32130)

- (e) Install a new oil seal.
- (f) Coat the lip of the oil seal with MP grease.



## ADJUSTMENT OF DIFFERENTIAL CASE

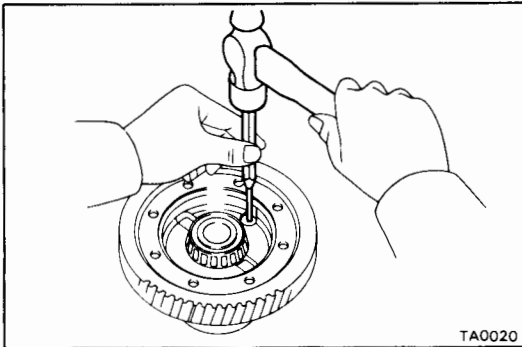
### 1. CHECK SIDE GEAR BACKLASH

Measure the backlash of the side gear while holding one pinion toward the case.

**Standard backlash:**

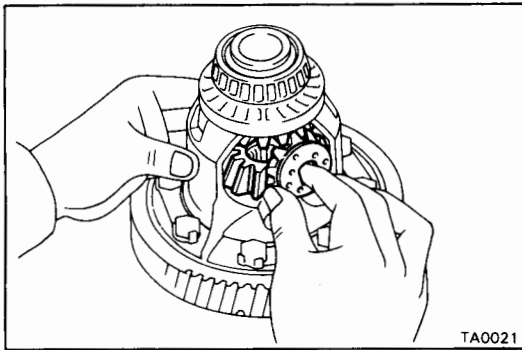
**0.05 – 0.20 mm (0.0020 – 0.0079 in.)**

If the backlash is out of specification, install the correct thrust washer to the side gears.



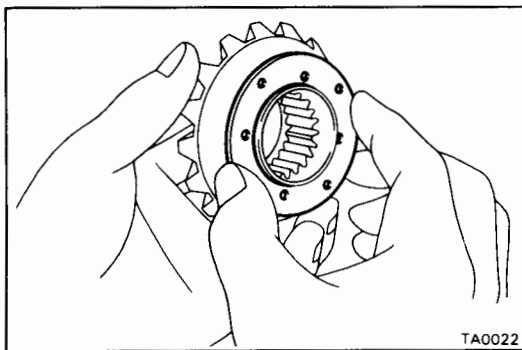
### 2. DISASSEMBLE DIFFERENTIAL CASE

- (a) Drive out the pinion shaft lock pin from the side on which the ring gear is installed.



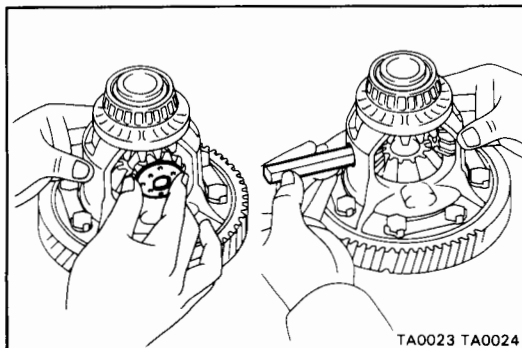
- (b) Remove the pinion shaft from the case.

- (c) Remove the two pinions, two side gears and four thrust washers.



### 3. ASSEMBLE DIFFERENTIAL CASE

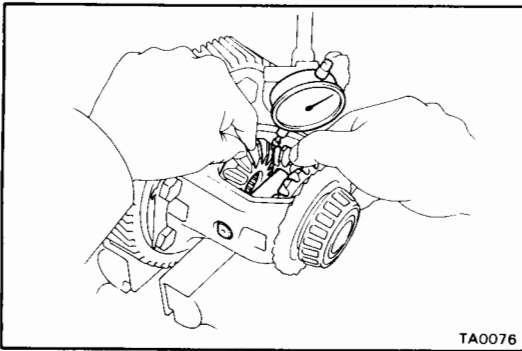
- (a) Install the removed thrust washers to the side gears.



- (b) Install the side gears with pinion thrust washers and pinion gears in the differential case.

- (c) Install the pinion shaft.





- (d) Check the side gear backlash.  
Measure the side gear backlash while holding one pinion gear toward the case.

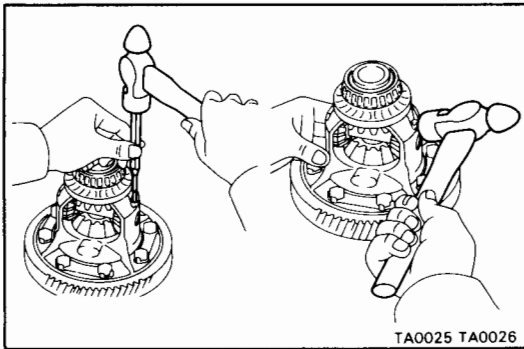
**Standard backlash: 0.05 – 0.20 mm  
(0.0020 – 0.0079 in.)**

- (e) Referring to the table below, select thrust washers which will ensure that the backlash is within specification. Try to select washers of the same size of both sides.

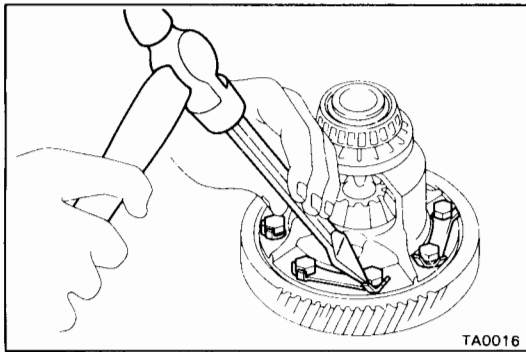
Thrust washer thicknesses

Thickness	mm (in.)	Thickness	mm (in.)
0.95	(0.0374)	1.10	(0.0433)
1.00	(0.0394)	1.15	(0.0453)
1.05	(0.0413)	1.20	(0.0472)

- (f) If the backlash is not within specification, install a thrust washer of a different thickness.

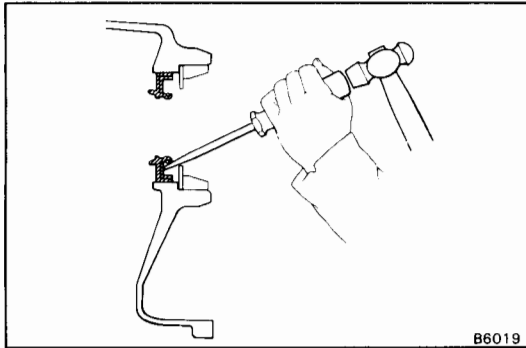


- (g) Install the lock pin.
- (1) Using a hammer and a punch, drive the lock pin through the case and hole in the pinion shaft.
  - (2) Stake the differential case.



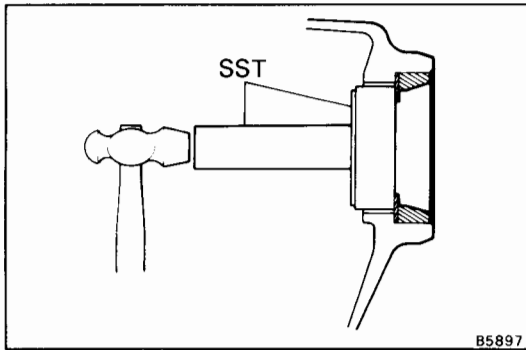
## ADJUSTMENT OF DIFFERENTIAL SIDE BEARING PRELOAD

1. REMOVE RING GEAR FROM DIFFERENTIAL  
(See page AT-136)

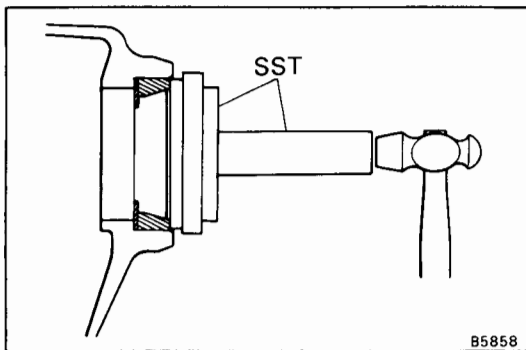


2. REPLACE LH ADJUSTING SHIM

(a) Remove the LH oil seal.



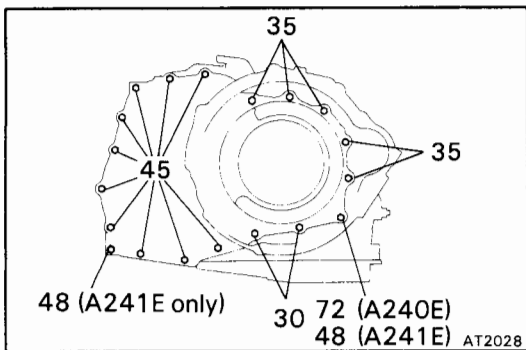
(b) Using SST, drive out the outer race and shim.  
SST 09350-32013 (09351-32130, 09351-32150)



(c) Place 2.40 mm (0.0945 in.) shim onto the transaxle case.

(d) Using SST, press the outer race into the transaxle case.

SST 09350-32013 (09351-32111, 09351-32130)



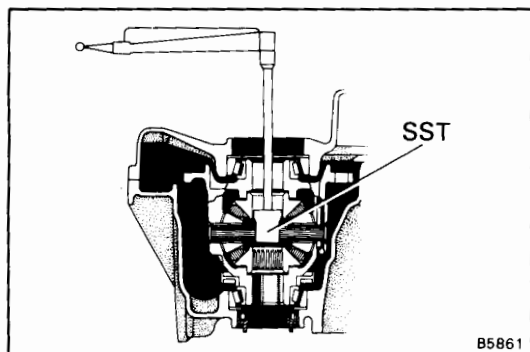
3. INSTALL DIFFERENTIAL CASE

(a) Install the differential case to the transaxle case.

(b) Install the transaxle housing and tighten the bolts.

**Torque: 300 kg-cm (22 ft-lb, 29 N·m)**

NOTE: Each bolt length (mm) is indicated in the figure.



#### 4. ADJUST DIFFERENTIAL SIDE BEARING PRELOAD

- Rotate the differential in both directions to snug the bearing down.
- Using SST and a torque meter, measure the preload of the side bearing.

SST 09564-32011

Preload (at starting):

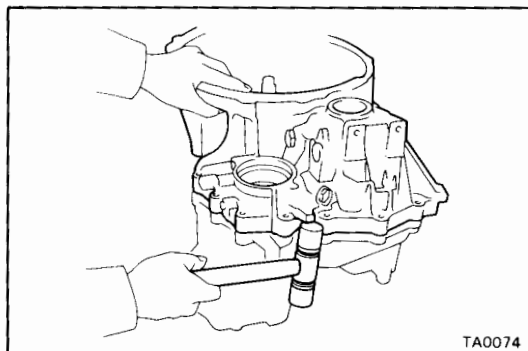
<b>New bearing</b>	<b>8 – 14 kg-cm</b>
	<b>(6.9 – 12.2 in.-lb, 0.8 – 1.4 N·m)</b>
<b>Reused bearing</b>	<b>4 – 7 kg-cm</b>
	<b>(3.5 – 6.1 in.-lb, 0.4 – 0.7 N·m)</b>

If the preload is not within specification, remove the differential from the transaxle case.

Re-select LH adjusting shim.

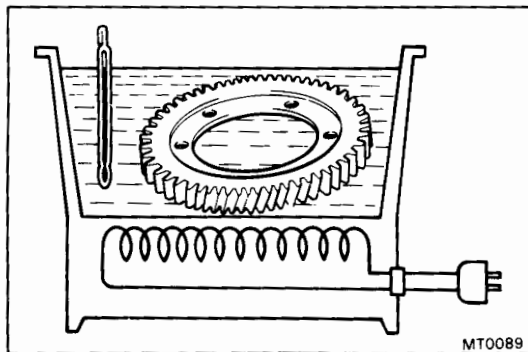
Thickness mm (in.)		Thickness mm (in.)	
2.00	(0.0787)	2.50	(0.0984)
2.05	(0.0807)	2.55	(0.1004)
2.10	(0.0827)	2.60	(0.1024)
2.15	(0.0846)	2.65	(0.1043)
2.20	(0.0866)	2.70	(0.1063)
2.25	(0.0886)	2.75	(0.1083)
2.30	(0.0906)	2.80	(0.1102)
2.35	(0.0925)	2.85	(0.1122)
2.40	(0.0945)	2.90	(0.1142)
2.45	(0.0965)		

NOTE: The preload will change about 3 – 4 kg-cm (2.6 – 3.5 in.-lb, 0.3 – 0.4 N·m) with each shim thickness.

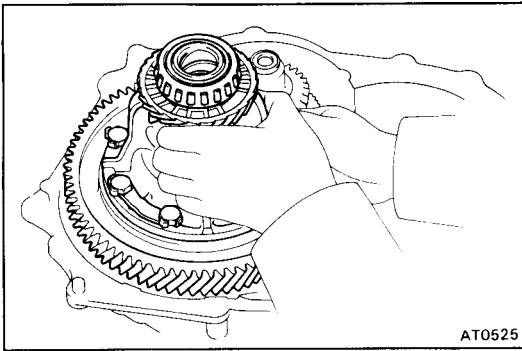


#### 5. REMOVE DIFFERENTIAL

- Remove the transaxle housing.
- Remove the differential from the transaxle case.

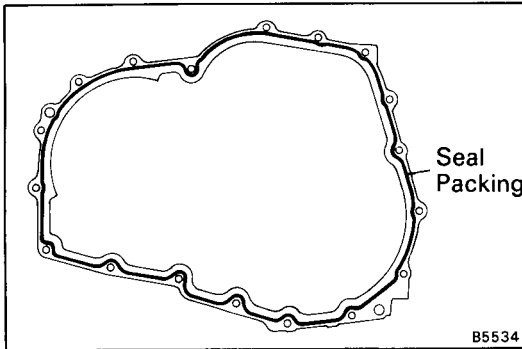


#### 6. INSTALL RING GEAR TO DIFFERENTIAL CASE (See page AT-136)



## INSTALLATION OF DIFFERENTIAL

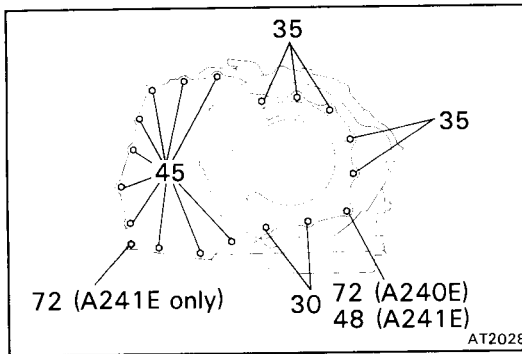
### 1. INSTALL DIFFERENTIAL



### 2. INSTALL TRANSAXLE HOUSING

- (a) Remove any packing material and be careful not to get oil on the contacting surfaces of the transaxle housing or transmission case.
- (b) Apply seal packing to the transaxle housing as shown.

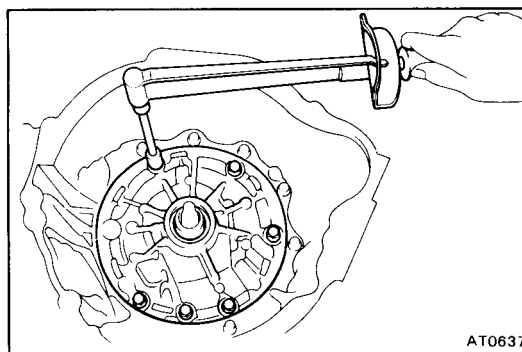
**Seal packing: Part No. 08833-00090, THREE BOND 1131, LOCTITE 518 or equivalent**



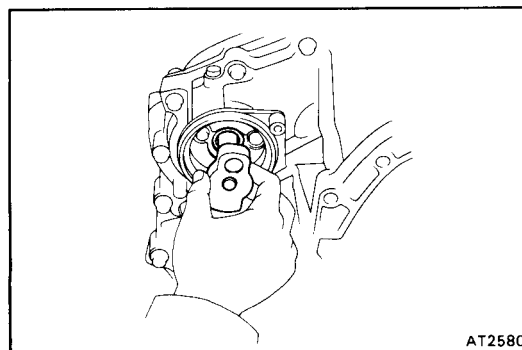
- (c) Install and tighten the eighteen bolts.

**Torque: 300 kg-cm (22 ft-lb, 29 N·m)**

**NOTE:** Each bolt length (mm) is indicated in the figure.

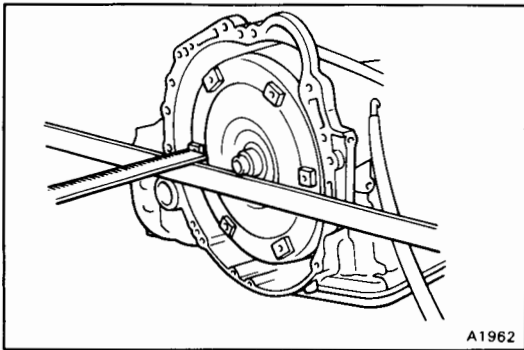


### 3. INSTALL OIL PUMP (See page AT-128)



### 4. INSTALL SENSOR ROTOR AND SPEED SENSOR (See page AT-132)

### 5. INSTALL SPEEDOMETER DRIVEN GEAR



A1962

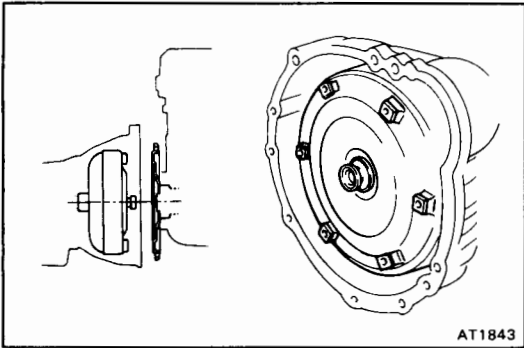
## INSTALLATION OF TRANSAXLE

### 1. INSTALL TORQUE CONVERTER IN TRANSMISSION

### 2. CHECK TORQUE CONVERTER INSTALLATION

Using calipers and a straight edge, measure from the installed surface to the front surface of the transmission housing.

**Correct distance: 23 mm (0.906 in.) or more**



AT1843

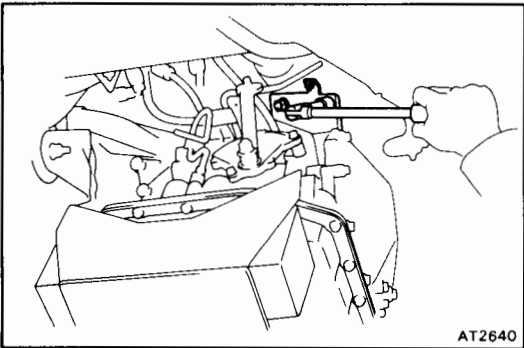
### 3. ALIGN TRANSMISSION AT INSTALLATION POSITION

(a) Align the two knock pins on the block with the converter housing.

(b) Temporarily install one bolt.

### 4. INSTALL TRANSMISSION HOUSING MOUNTING BOLTS

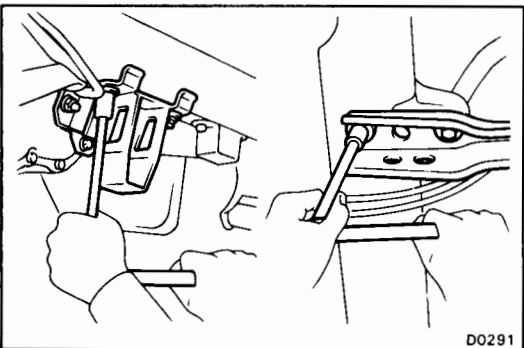
**TORQUE: 650 kg-cm (47 ft-lb, 64 N·m)**



AT2640

### 5. INSTALL TRANSMISSION MOUNTING SET BOLTS

**Torque: 1,150 kg-cm (83 ft-lb, 113 N·m)**



D0291

### 6. INSTALL FRONT AND REAR MOUNTING BOLTS

**Torque: 530 kg-cm (38 ft-lb, 52 N·m)**

### 7. INSTALL DRIVE SHAFTS

(See Page RA-27)

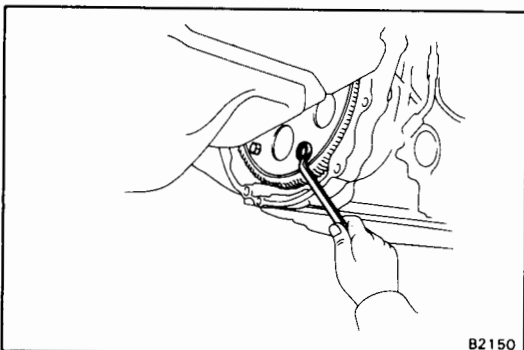
### 8. INSTALL TORQUE CONVERTER MOUNTING BOLTS

(a) First, install the gray bolt and then five black bolts.

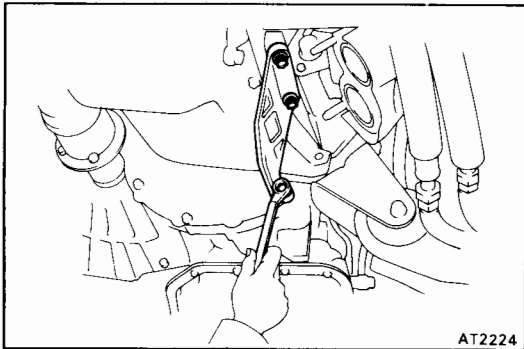
(b) Tighten the bolts evenly.

**Torque: 280 kg-cm (20 ft-lb, 27 N·m)**

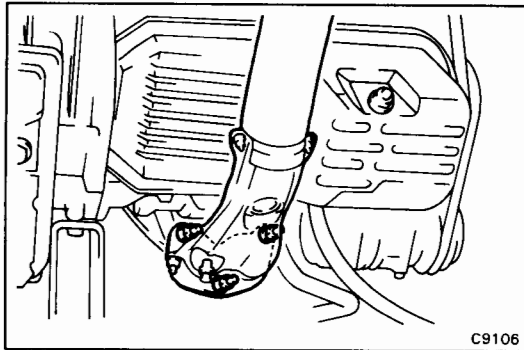
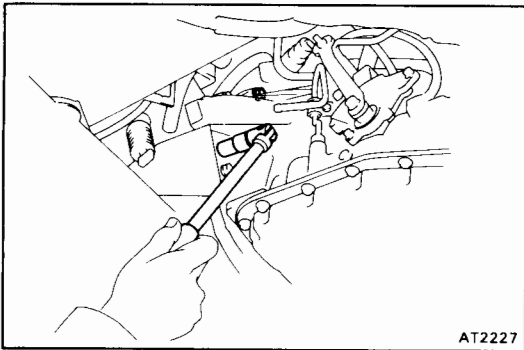
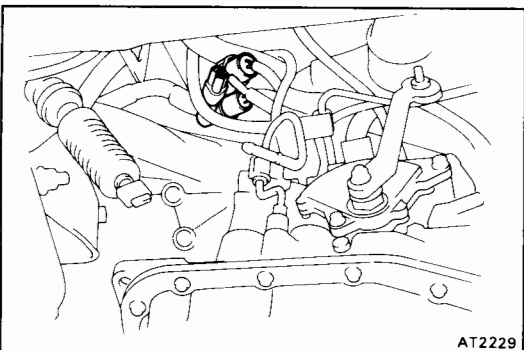
### 9. INSTALL ENGINE REAR END PLATE



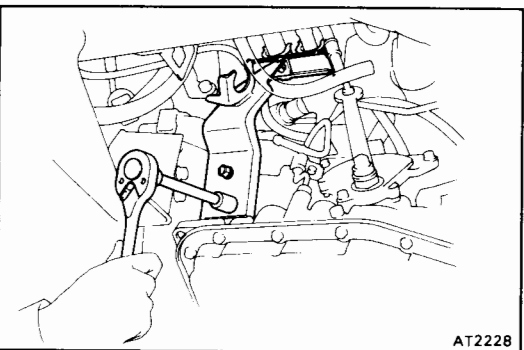
B2150

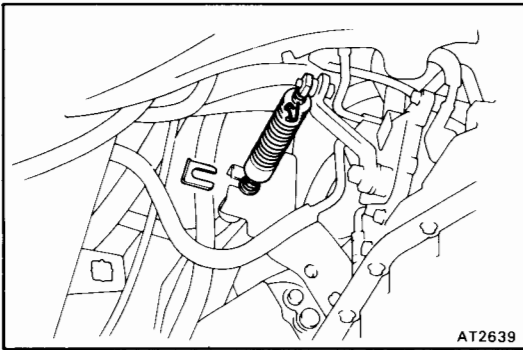
**10. INSTALL STIFFENER PLATE**

Torque: 380 kg-cm (27 ft-lb, 37 N·m)

**11. INSTALL EXHAUST PIPE****12. INSTALL STARTER MOTOR SET BOLTS****13. CONNECT THE THREE CONNECTORS**

Connect the two neutral start switch connectors and the solenoid connector.

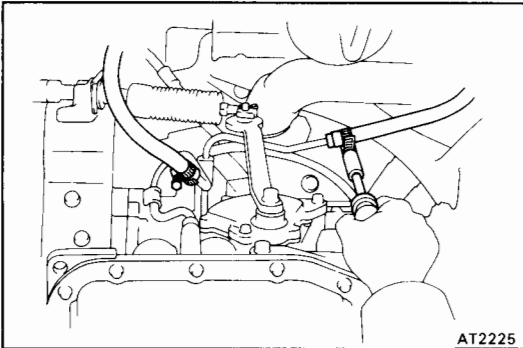
**14. INSTALL CONTROL CABLE BRACKET**



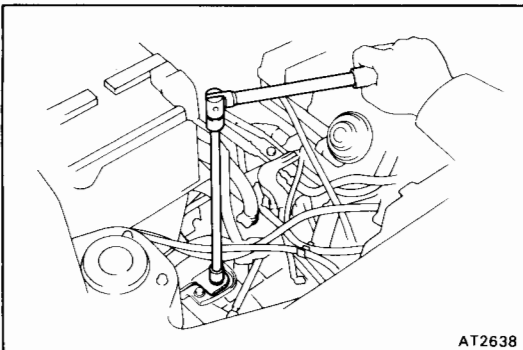
AT2639

**15. CONNECT CONTROL CABLE**

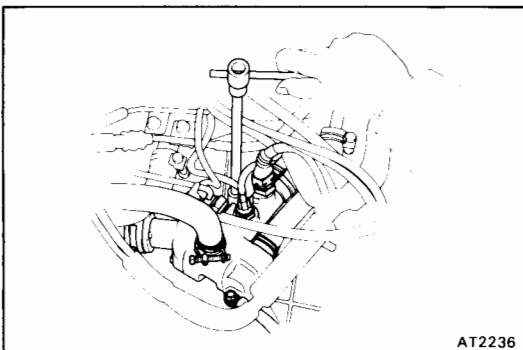
- (a) Connect the control cable.
- (b) Install the retainer.
- (c) Install the clip.



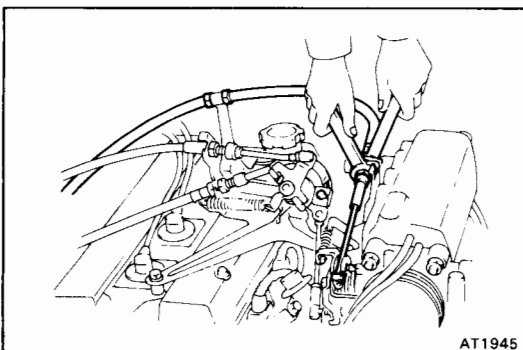
AT2225

**16. CONNECT OIL COOLER HOSES****17. CONNECT SPEEDOMETER CABLE****18. INSTALL ENGINE UNDER COVER****19. INSTALL REAR LH WHEEL****20. LOWER VEHICLE**

AT2638

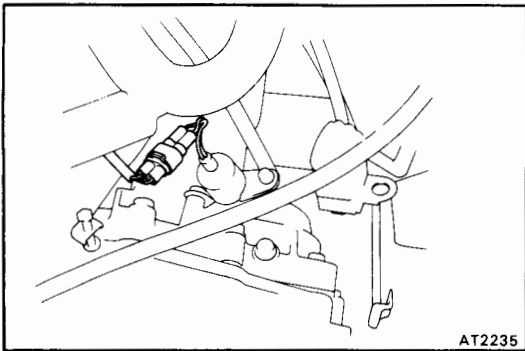
**21. INSTALL TRANSMISSION MOUNTING SET BOLT**

AT2236

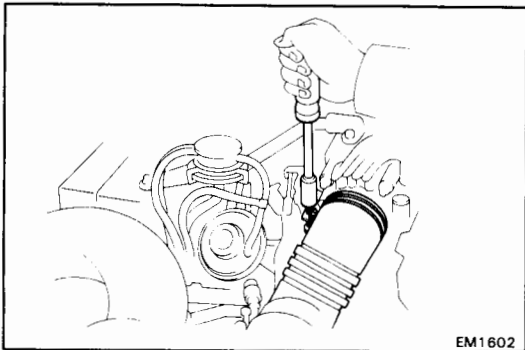
**22. INSTALL WATER INLET SET BOLTS AND CONNECT GROUND STRAP**

AT1945

**23. CONNECT THROTTLE CABLE TO THROTTLE LINKAGE AND BRACKET****24. ADJUST THROTTLE CABLE (See page AT-6)**

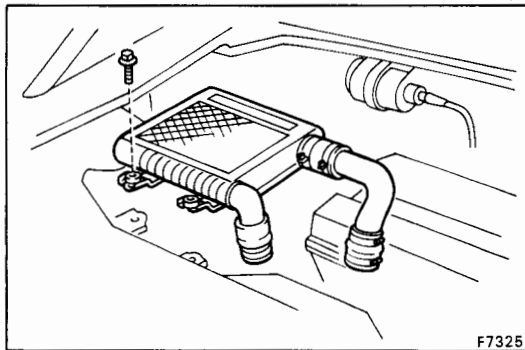


**25. CONNECT SPEED SENSOR CONNECTOR**



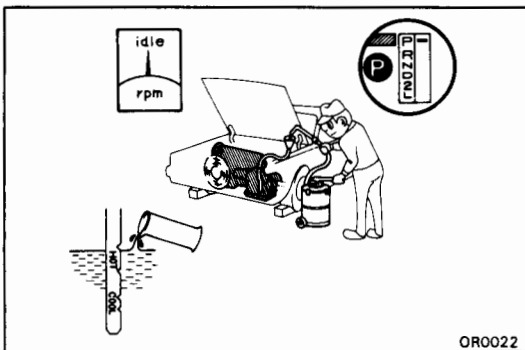
**26. INSTALL AIR FLOW METER AND AIR CLEANER HOSE**

**27. CONNECT NEGATIVE BATTERY TERMINAL**



**28. (A241E/4A-GZE)  
INSTALL INTERCOOLER**

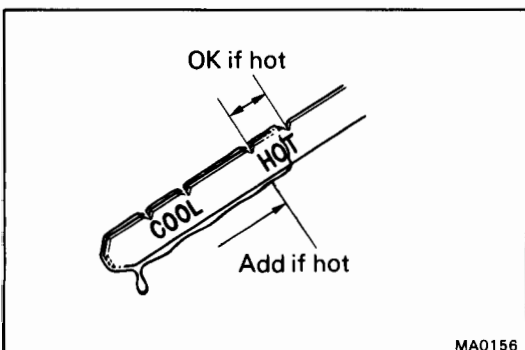
Connect the two hose clamps, and install the four bolts and intercooler.



**29. FILL TRANSAXLE WITH ATF**

Fluid type: **ATF DEXRON® II**

**CAUTION:** Do not overfill.



**30. CHECK FLUID LEVEL (See page AT-5)**



# FRONT AXLE AND SUSPENSION

	<b>Page</b>
<b>TROUBLESHOOTING</b> .....	<b>FA-2</b>
<b>FRONT WHEEL ALIGNMENT</b> .....	<b>FA-3</b>
<b>FRONT AXLE HUB</b> .....	<b>FA-7</b>
<b>FRONT SHOCK ABSORBER</b> .....	<b>FA-15</b>
<b>FRONT SUSPENSION</b> .....	<b>FA-20</b>
<b>Ball Joint</b> .....	<b>FA-20</b>
<b>Lower Arm</b> .....	<b>FA-21</b>
<b>Stabilizer Bar and Link</b> .....	<b>FA-23</b>
<b>Strut Bar</b> .....	<b>FA-25</b>

## TROUBLESHOOTING

Problem	Possible cause	Remedy	Page
Wanders/pulls	Tires worn or improperly inflated	Inflate tires to proper pressure or replace tires	FA-3
	Alignment incorrect	Check front end alignment	FA-3
	Hub bearing worn	Replace hub bearing	FA-8
	Front or rear suspension parts loose or broken	Tighten or replace suspension parts	
	Steering linkage loose or worn	Tighten or replace steering linkage	
	Steering gear out of adjustment or broken	Adjust or repair steering gear	SR-14
Bottoming	Vehicle overloaded	Check loading	
	Shock absorber worn out	Replace shock absorber	FA-20
	Springs weak	Replace spring	FA-20
Sways/pitches	Tires improperly inflated	Inflate tires to proper pressure	FA-3
	Stabilizer bar bent or broken	Inspect stabilizer bar	FA-20
	Shock absorber worn out	Replace shock absorber	FA-14
Front wheel shimmy	Tires worn or improperly inflated	Replace tires or inflate to proper pressure	FA-3
	Wheels out of balance	Balance wheels	
	Shock absorber worn out	Replace shock absorber	FA-14
	Alignment incorrect	Check front end alignment	FA-3
	Hub bearing worn	Replace hub bearing	FA-8
	Ball joints or bushings worn	Inspect ball joints and bushings	FA-20
	Steering linkage loose or worn	Tighten or replace steering linkage	
Steering gear out of adjustment or broken	Adjust or repair steering gear	SR-14	
Abnormal tire wear	Tires improperly inflated	Inflate tires to proper pressure	FA-3
	Shock absorbers worn out	Replace shock absorber	FA-14
	Alignment incorrect	Check toe-in	FA-3
	Suspension parts worn	Replace suspension parts	

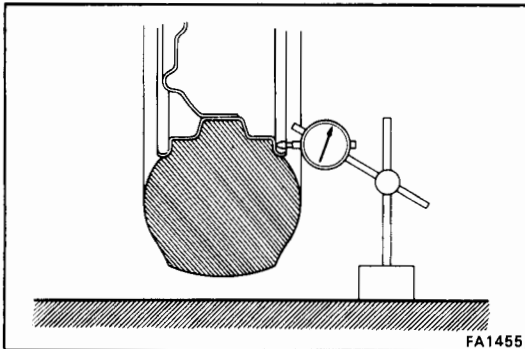
## FRONT WHEEL ALIGNMENT

### 1. MAKE FOLLOWING CHECKS AND CORRECT ANY PROBLEMS

(a) Check the tires for wear and proper inflation.

**Tire size: 185/60 R 14 82 H**

**Cold tire pressure: 2.1 kg/cm<sup>2</sup> (30 psi, 206 kPa)**



(b) Check the wheel runout.

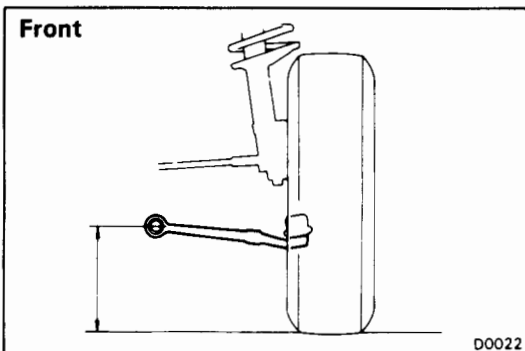
**Lateral runout: 1.2 mm (0.047 in.) or less**

(c) Check the front wheel bearings for looseness.

(d) Check the front suspension for looseness.

(e) Check the steering linkage for looseness.

(f) Check that the front absorbers work properly by using the standard bounce test.



### 2. MEASURE CHASSIS GROUND CLEARANCE

**Chassis ground clearance:**

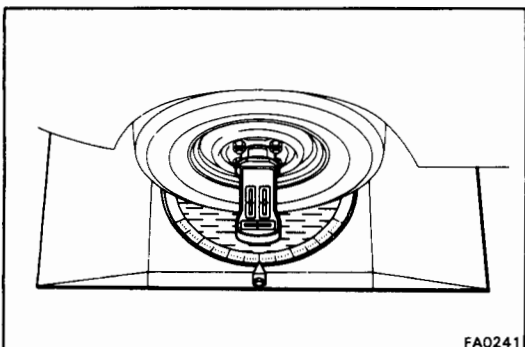
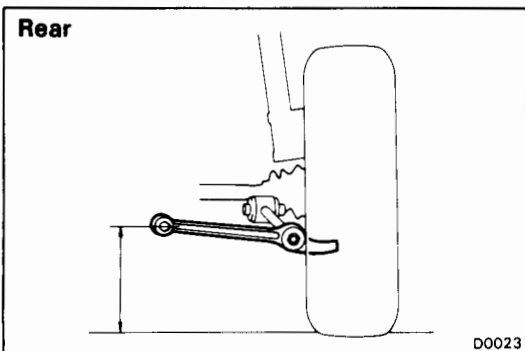
**Front 221 mm (8.70 in.)**

**Rear 205 mm (8.07 in.)**

If the clearance of the vehicle is not as specified, try to level the vehicle by rocking it down.

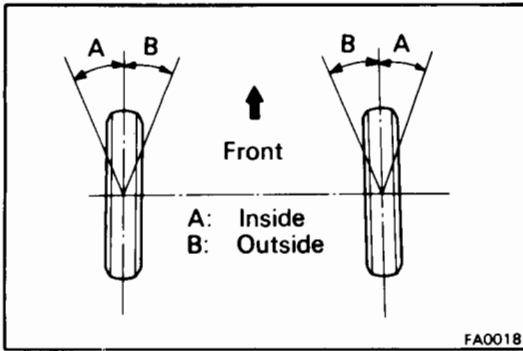
If still not correct, check for bad springs or suspension parts.

**NOTE:** When measuring the chassis ground clearance, measure from the ground to the center of the bolt.



### 3. INSTALL WHEEL ALIGNMENT EQUIPMENT

Follow the specific instructions of the equipment manufacturer.



FA0018

**4. ADJUST WHEEL ANGLE**

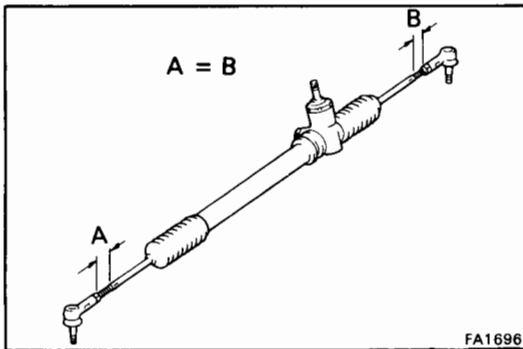
Wheel angle:

Max.		at 20° (Outside wheel)
Inside wheel	Outside wheel	Inside wheel
36°30' ± 1°	32°00'	21°00'

If wheel angles differ from the standard specifications, check to see if the lengths of the left and right tie rods are the same.

NOTE: If the tie rod lengths are not equal, the wheel angle cannot be adjusted properly.

Reinspect the toe-in after adjusting the tie rod lengths.

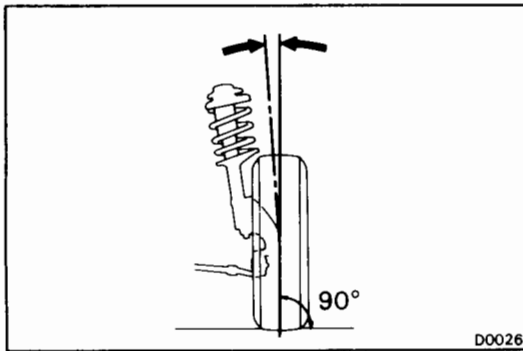


FA1696

**5. ADJUST CAMBER**

Camber:

- Inspection standard 0°15' ± 45'
- Adjustment standard 0°15' ± 30'
- Left-right error 30' or less



D0026

If camber is not within specification, adjust by turning the camber adjusting cam.

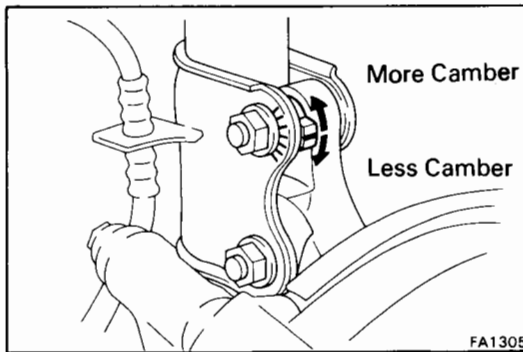
- (a) Loosen the shock absorber set nut.
- (b) Turn the cam to adjust.

NOTE: Camber angle increases about 18' with each graduation of the cam.

- (c) Tighten to the specified torque.

**Torque: 1,450 kg-cm (105 ft-lb, 142 N·m)**

- (d) After installing the wheel, rock the vehicle up and down and recheck the angle.



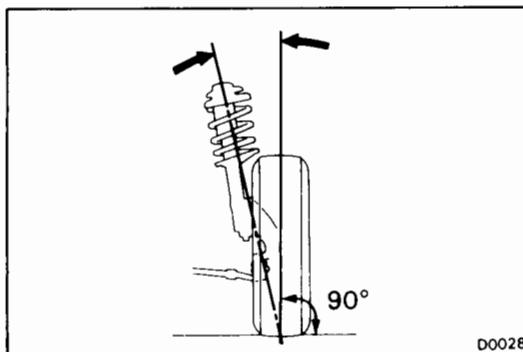
FA1305

**6. INSPECT STEERING AXIS INCLINATION**

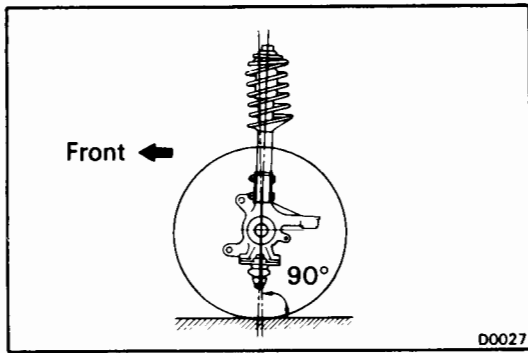
Steering axis inclination:

- Inspection standard 12°05' ± 45'
- Left-right error 30' or less

Steering axis inclination is not adjustable. If measurement is not within specification, inspect and replace the suspension parts as necessary.



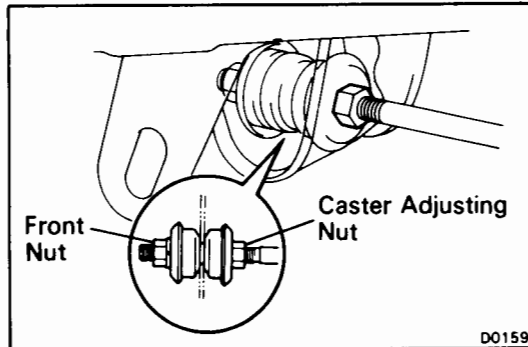
D0028



## 7. ADJUST CASTER

### Caster:

Inspection standard	$5^{\circ}05' \pm 45'$
Adjustment standard	$5^{\circ}05' \pm 30'$
Left-right error	30' or less



If caster is not within specification, adjust by turning the nut.

- Loosen the strut bar front nut.
- Turn the camber adjusting nut to adjust.

NOTE: Each revolution of the nut alters the caster angle by 18'.

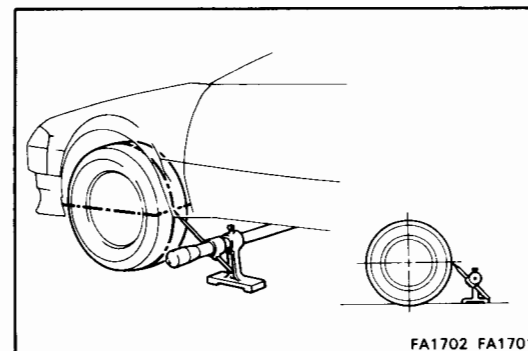
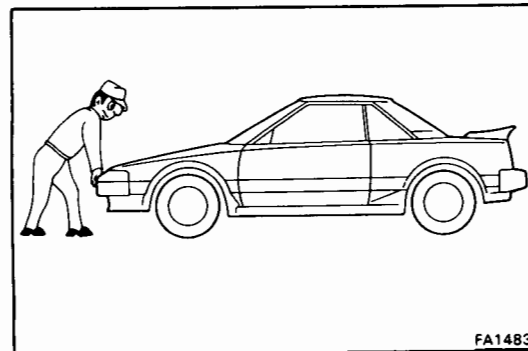
- Tighten the strut bar front nut.

Torque: 1,150 kg-cm (83 ft-lb, 113 N·m)

## 8. ADJUST TOE-IN

Adjust toe-in with a toe-in gauge in the following procedure.

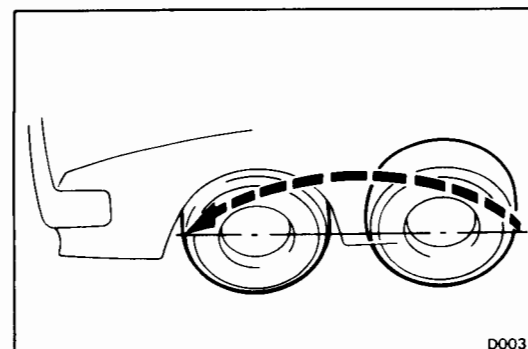
- Rock the vehicle up and down to stabilize the suspension.
- Move the vehicle forward about 5 m (16.4 ft) with the front wheels in the straight-ahead position on a level place.

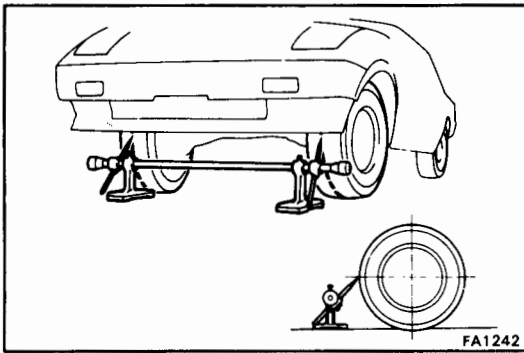


- Mark the center of each rear tread and measure the distance between the marks of the right and left tires.

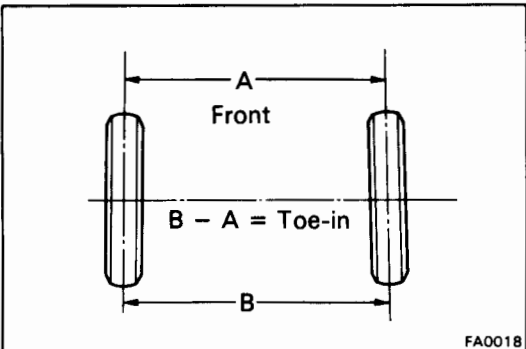
- Advance the vehicle until the marks on the rear sides of the tires come to the measuring heights of the gauge on the front side.

NOTE: If the tire rolls too far, repeat from step (b).





- (e) Measure the distance between the marks on the front of the tires.

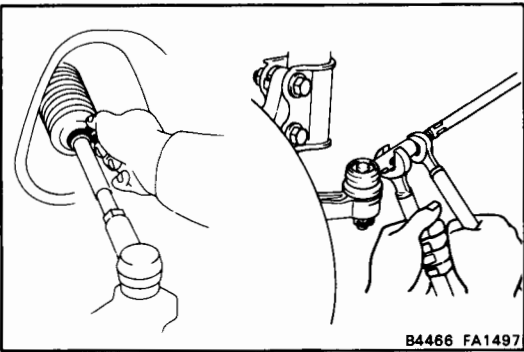


- (f) Measure the toe-in.

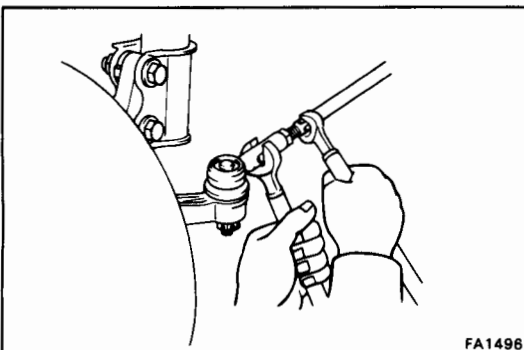
$$\text{Toe-in} = B - A$$

**Inspection standard:  $1 \pm 2 \text{ mm}$  ( $0.04 \pm 0.08 \text{ in.}$ )**

If toe-in is not within specification, adjust by left and right tie rod ends.



- (g) Remove the boot clips and loosen the tie rod lock nuts.



- (h) Adjust toe-in by turning the left and right rack ends an equal amount.

**Adjustment standard:  $1 \pm 1 \text{ mm}$  ( $0.04 \pm 0.04 \text{ in.}$ )**

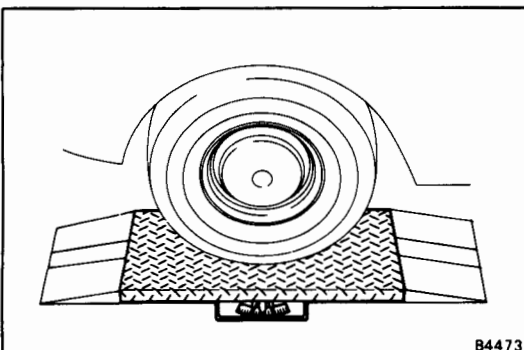
- (i) Check that the lengths of the left and right tie rods are the same.

- (j) Torque the tie rod lock nuts.

**Torque:  $480 \text{ kg-cm}$  ( $35 \text{ ft-lb}$ ,  $47 \text{ N}\cdot\text{m}$ )**

- (k) Install the boot clips.

NOTE: Check that the boots are not twisted.

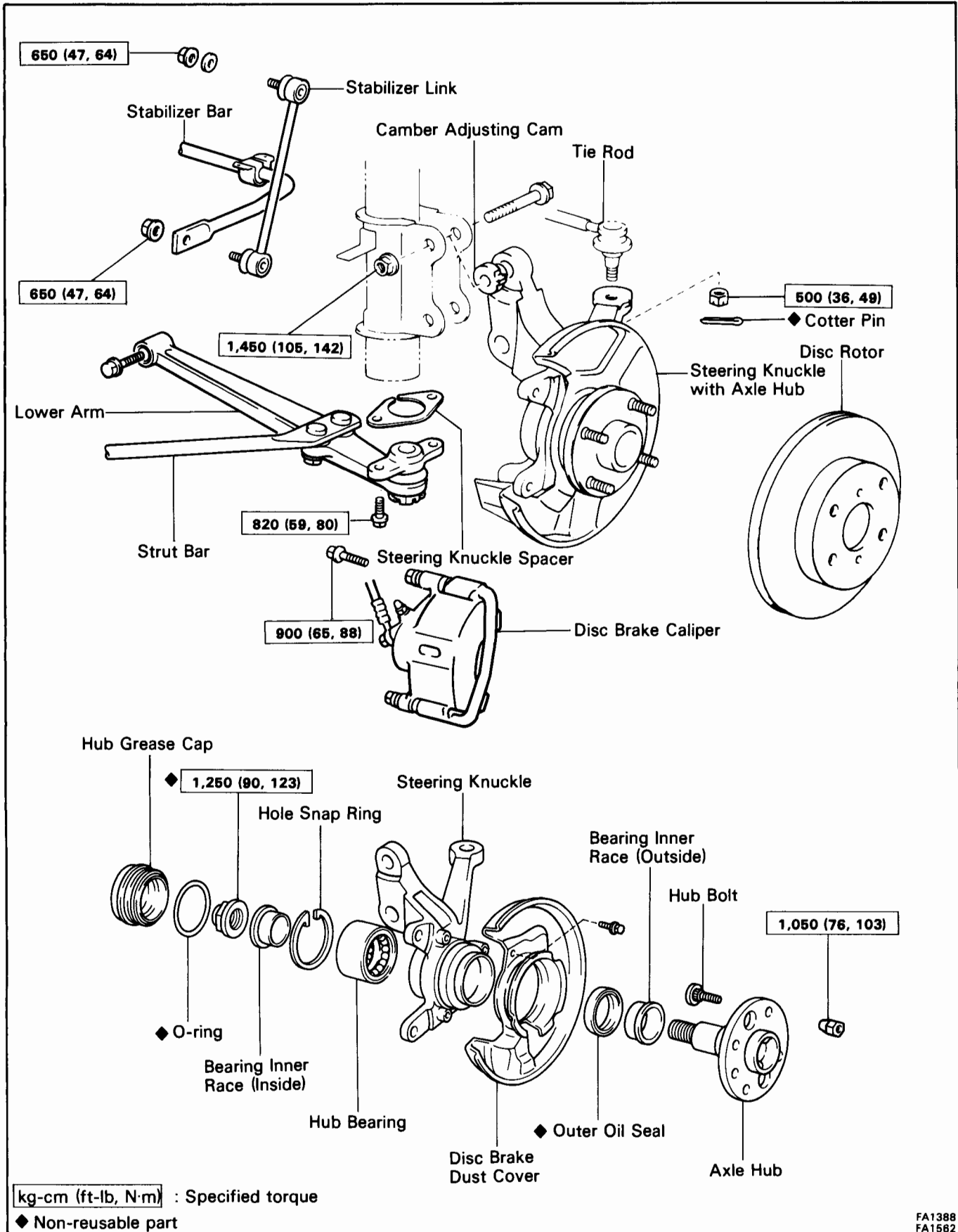


## 9. INSPECT SIDE SLIP WITH SIDE SLIP TESTER

**Side slip:  $3.0 \text{ mm/m}$  ( $0.118 \text{ in./3.3 ft}$ ) or less**

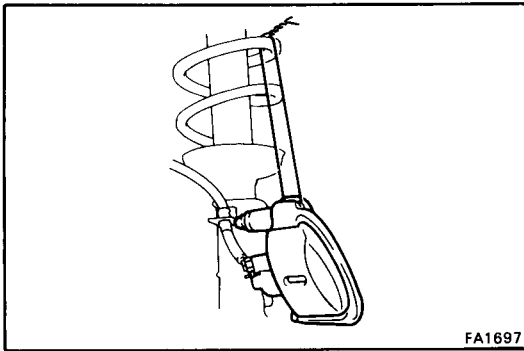
If the side slip exceeds the limit, the toe-in or other front wheel alignment may not be correct.

# FRONT AXLE HUB COMPONENTS



kg-cm (ft-lb, N·m) : Specified torque

◆ Non-reusable part

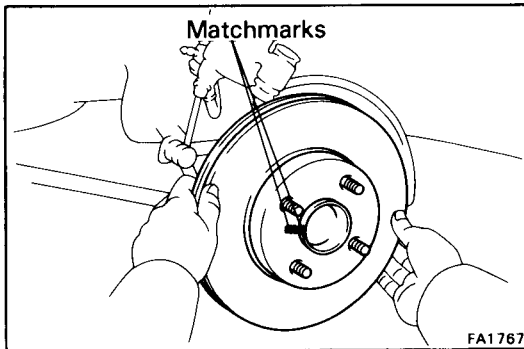


## REMOVAL OF FRONT AXLE HUB

(See page FA-7)

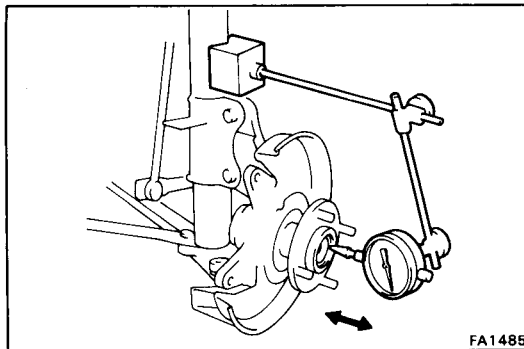
### 1. REMOVE DISC BRAKE CALIPER

Remove the brake caliper from the steering knuckle and suspend it with wire.



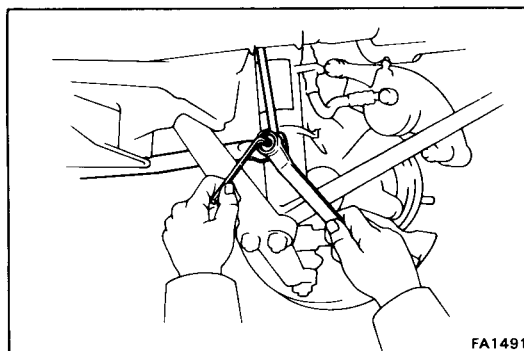
### 2. REMOVE ROTOR DISC

Place matchmarks on the rotor disc and hub.



### 3. CHECK BEARING PLAY IN AXIAL DIRECTION

Bearing play: 0.05 mm (0.0020 in.) or less

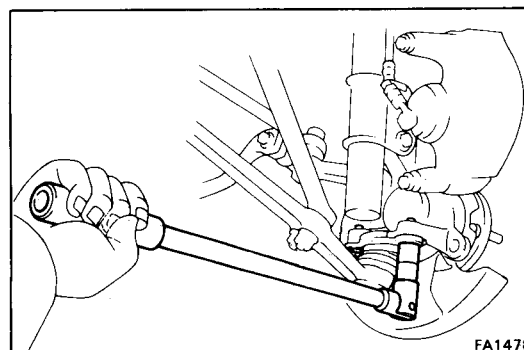


### 4. DISCONNECT STABILIZER LINK

When disconnecting the stabilizer link, disconnect from the bottom.

#### NOTE:

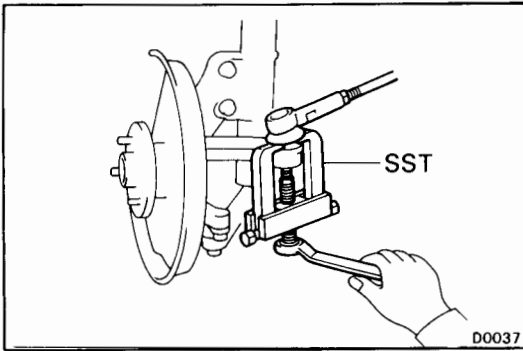
- If the ball joint stud turns together with the nut, use a hexagon wrench to hold the stud.
- When disconnecting the tie rod end, to keep from damaging the stabilizer link, disconnect the lower side of the stabilizer link.



### 5. DISCONNECT LOWER BALL JOINT AND TIE ROD END

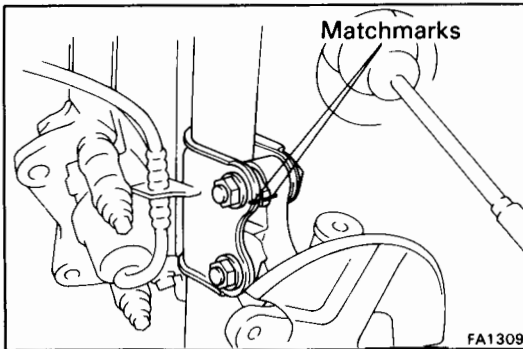
- (a) Remove the two bolts holding the ball joint to the steering knuckle.





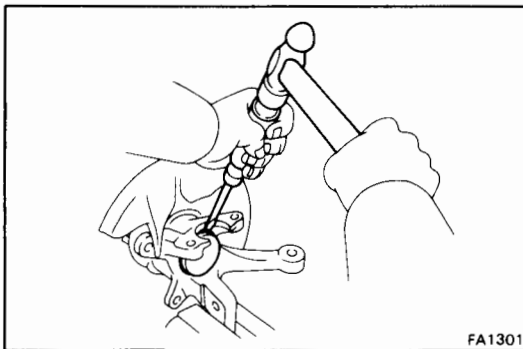
- (b) Remove the cotter pin and nut from the tie rod end.
- (c) Using SST, disconnect the tie rod end from the steering knuckle.

SST 09628-62011



## 6. DISCONNECT STEERING KNUCKLE FROM SHOCK ABSORBER

- (a) Place matchmarks on the shock absorber lower bracket and camber adjusting cam.
- (b) Remove the bolts and nuts, and disconnect the steering knuckle and shock absorber.
- (c) Remove the steering knuckle spacer.

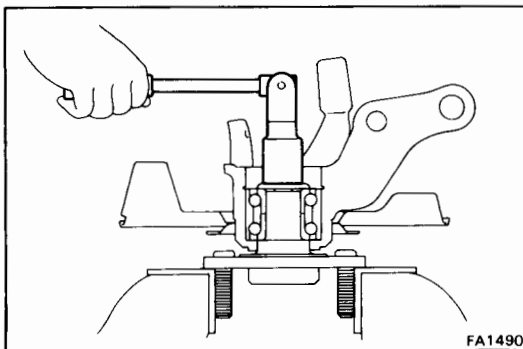


## DISASSEMBLY OF FRONT AXLE HUB

(See page FA-7)

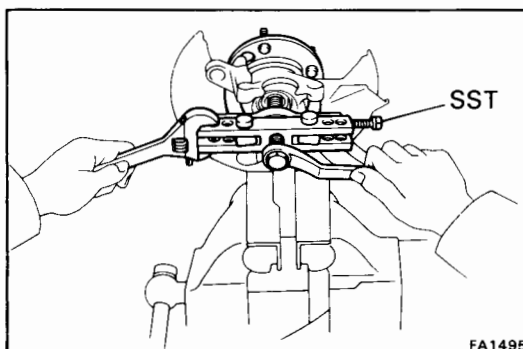
### 1. REMOVE HUB GREASE CAP

- (a) Clamp the steering knuckle in a soft jaw vise.
- (b) Using a screwdriver and hammer, remove the hub grease cap with O-ring.



### 2. REMOVE FRONT AXLE HUB LOCK NUT

- (a) Clamp the axle hub in soft jaw vise.
- NOTE: Close vise until it securely holds hub bolt. Do not tighten further.
- (b) Using a chisel and hammer, loosen the staked part of the nut and remove the lock nut.



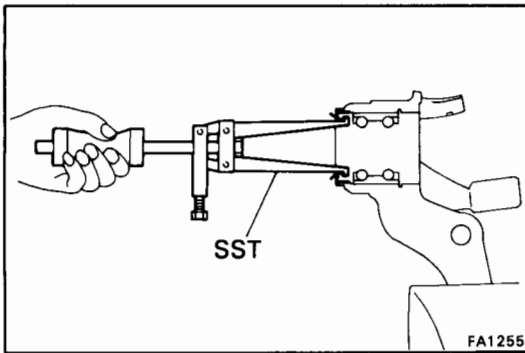
### 3. REMOVE AXLE HUB

- (a) Remove the three bolts holding the disc brake dust cover to the steering knuckle.
- (b) Using SST, remove the axle hub from the steering knuckle.

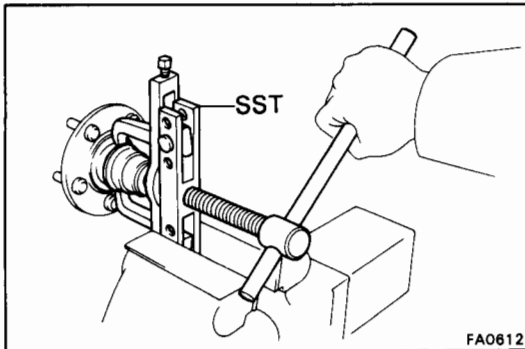
SST 09950-20017

- (c) Remove the disc brake dust cover.

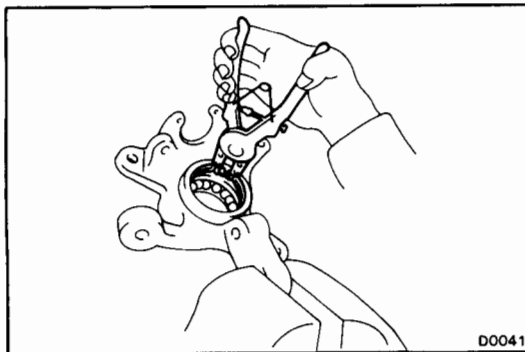
### 4. REMOVE BEARING INNER RACE (INSIDE)

**5. REMOVE OUTER OIL SEAL**

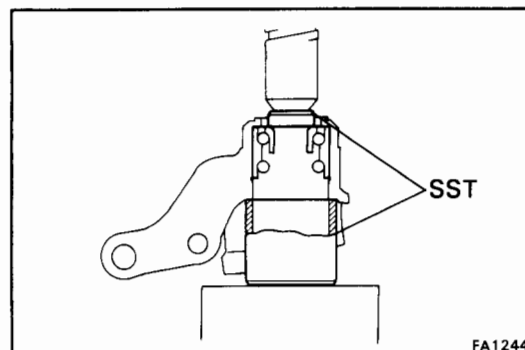
Using SST, remove the oil seal from steering knuckle.  
SST 09308-00010

**6. REMOVE BEARING INNER RACE (OUTSIDE)**

Using SST, remove the hub bearing inner race (outside) from the axle hub.  
SST 09950-20017

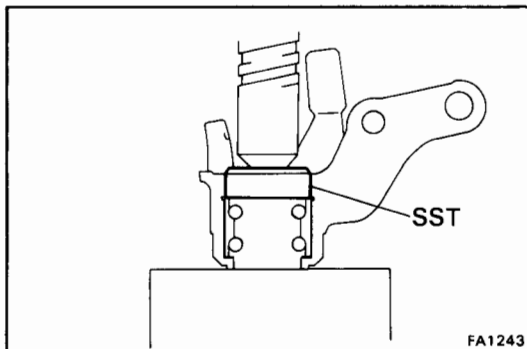
**7. REMOVE HOLE SNAP RING**

Using snap ring pliers, remove the hole snap ring.

**8. REMOVE HUB BEARING**

- (a) First, place the removed inner race (outside) in the bearing.
- (b) Using SST and press, press out the hub bearing from the steering knuckle.

SST 09608-30012 (09608-04060) and 09649-17010

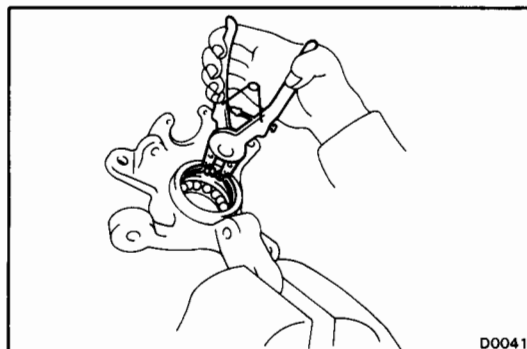


## ASSEMBLY OF FRONT AXLE HUB

(See page FA-7)

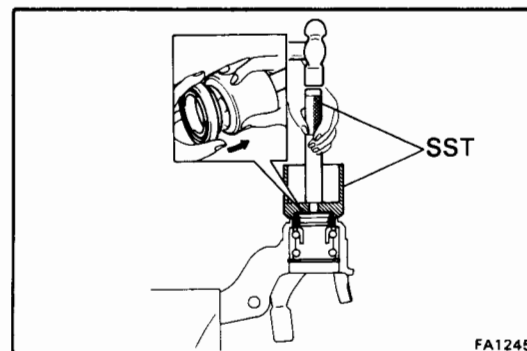
### 1. INSTALL HUB BEARING

Using SST and a press, press in a new hub bearing.  
SST 09608-30012 (09608-04070)



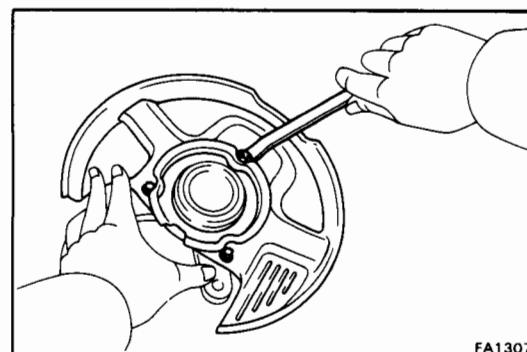
### 2. INSTALL HOLE SNAP RING

Using snap ring pliers, install the hole snap ring.



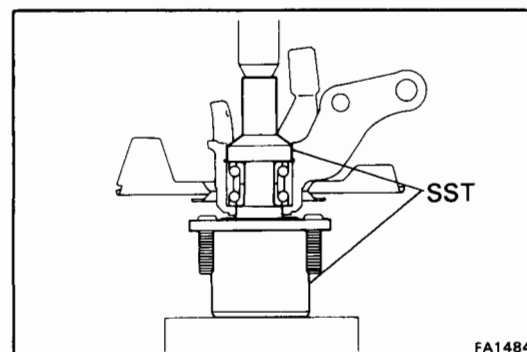
### 3. INSTALL OUTER OIL SEAL

- (a) Place a new bearing inner race (outside) on the hub bearing.
- (b) Rotate and insert the lip of a new oil seal into SST.  
SST 09649-17010
- (c) Using SST and a hammer, tap the oil seal into the steering knuckle.  
SST 09608-30012 (09608-04020) and 09649-17010
- (d) Apply MP grease to the oil seal lip.



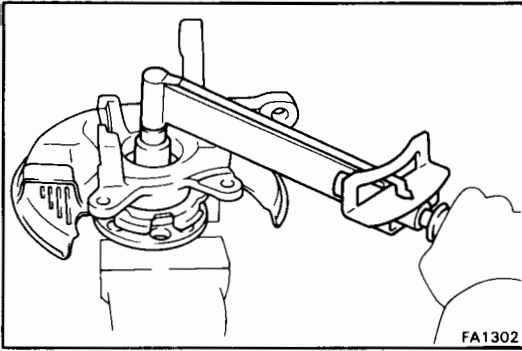
### 4. INSTALL DISC BRAKE DUST COVER

Install the disc brake dust cover with the three bolt.

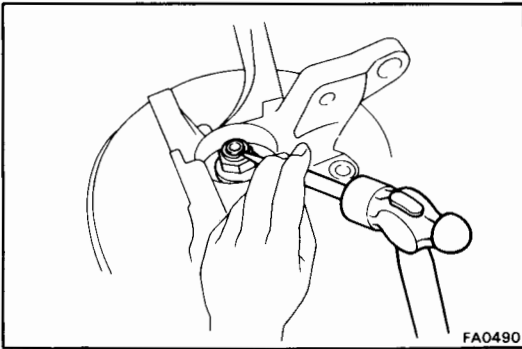


### 5. INSTALL AXLE HUB

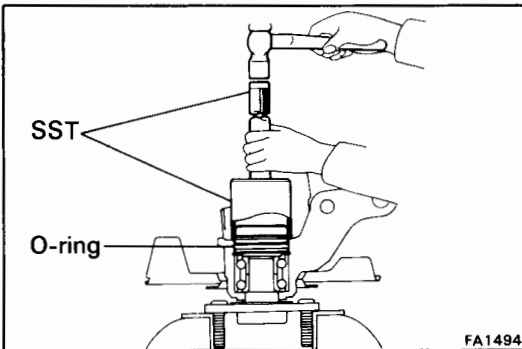
- (a) Place a new bearing inner race (inside) on the hub bearing.
- (b) Using SST and a press, press the axle hub into the steering knuckle.  
SST 09310-35010 and 09649-17010



- (c) Install and torque the axle hub lock nut.  
**Torque: 1,250 kg-cm (90 ft-lb, 123 N·m)**

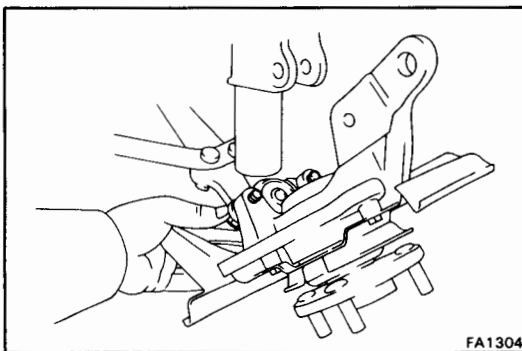


- (d) Using a punch and hammer, stake the nut.



## 6. INSTALL HUB GREASE CAP

- (a) Install a new O-ring onto the hub grease cap.  
 (b) Using SST and a hammer, tap in the hub grease cap.  
 SST 09608-30012 (90608-04020) and 09649-17010

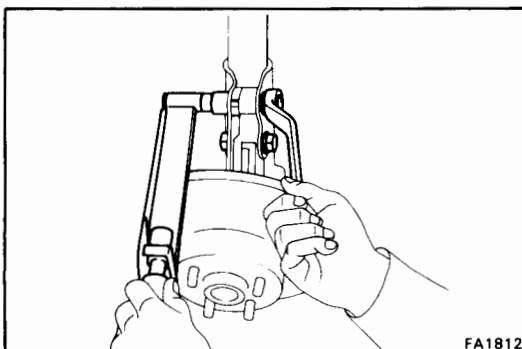


## INSTALLATION OF FRONT AXLE HUB

(See page FA-7)

### 1. INSTALL STEERING KNUCKLE WITH AXLE HUB TO LOWER ARM

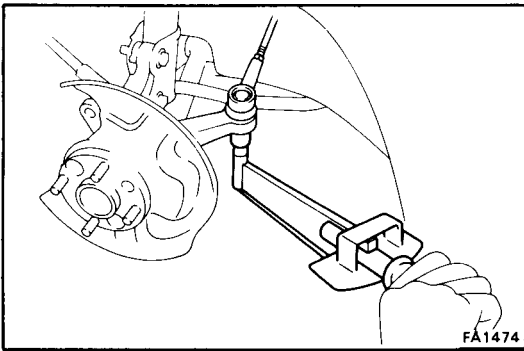
- (a) Place the steering knuckle spacer on the lower ball joint.  
 (b) Temporarily install the steering knuckle to the lower arm.



### 2. INSTALL STEERING KNUCKLE TO SHOCK ABSORBER

- (a) Connect the steering knuckle to the shock absorber lower bracket.  
 (b) Insert the bolts and align the matchmarks of the camber adjusting cam with the shock absorber.  
 (c) Torque the nuts.

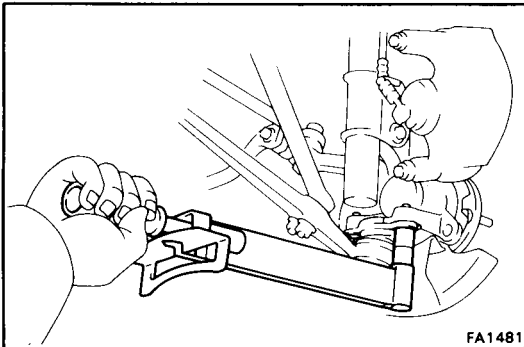
**Torque: 1,450 kg-cm (105 ft-lb, 142 N·m)**

**3. CONNECT TIE ROD END TO STEERING KNUCKLE**

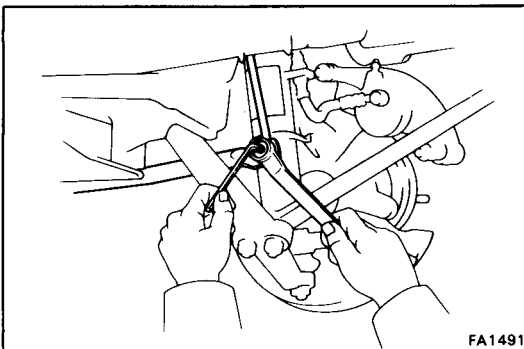
Torque the castle nut and secure it with a new cotter pin.

**Torque: 500 kg-cm (36 ft-lb, 49 N·m)**

**NOTE:** If the cotter pin hole does not line up, correct by tightening the nut by the smallest amount possible.

**4. TORQUE STEERING KNUCKLE TO BALL JOINT**

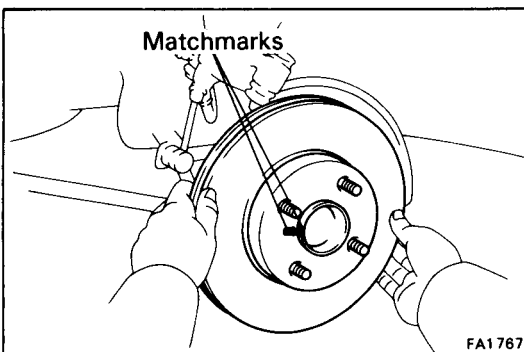
**Torque: 820 kg-cm (59 ft-lb, 80 N·m)**

**5. CONNECT STABILIZER LINK**

Install and torque the nut.

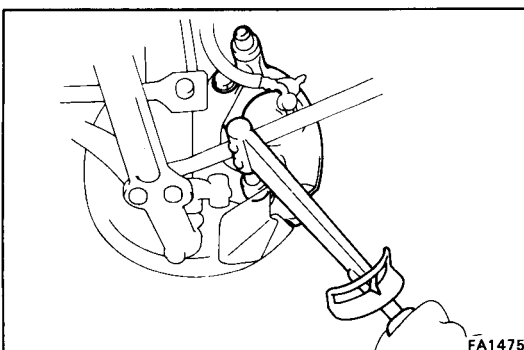
**Torque: 650 kg-cm (47 ft-lb, 64 N·m)**

**NOTE:** If the ball joint stud turns together with the nut, use a hexagon wrench to hold the stud.

**6. INSTALL ROTOR DISC TO AXLE HUB**

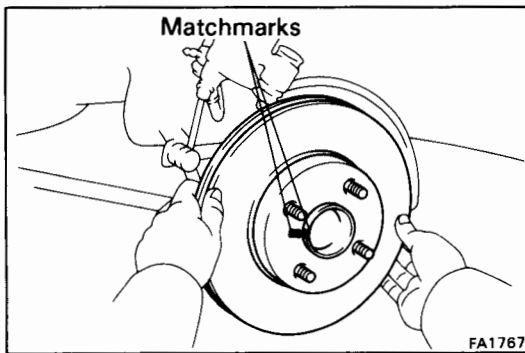
Align the matchmarks and install the rotor disc.

**NOTE:** If there is no matchmarks, temporarily install the rotor disc and measure the rotor disc runout and install the rotor disc in best position. (See step 3 on page BR-23)

**7. INSTALL DISC BRAKE CALIPER TO STEERING KNUCKLE**

Torque the two bolts.

**Torque: 900 kg-cm (65 ft-lb, 88 N·m)**



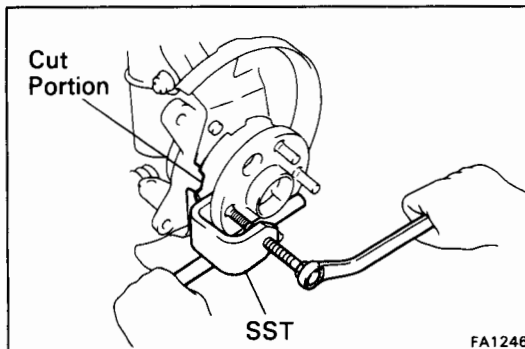
## REPLACEMENT OF FRONT AXLE HUB BOLT

### 1. REMOVE BRAKE CALIPER

Remove the brake caliper from the steering knuckle and suspend it with a wire.

### 2. REMOVE ROTOR DISC

Place matchmarks on the rotor disc and hub.

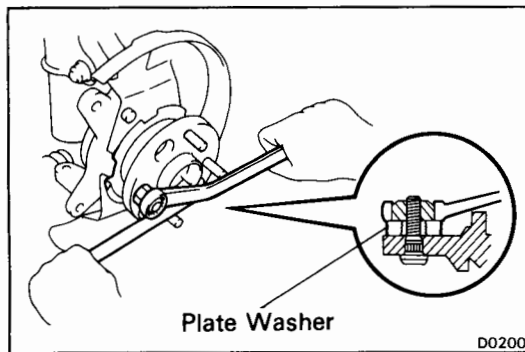


### 3. REMOVE FRONT AXLE HUB BOLT

(a) Align the disc brake dust cover cut portion and axle hub bolt.

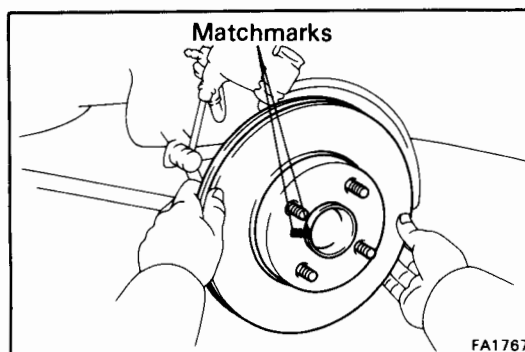
(b) Using SST, remove the axle hub bolt.

SST 09650-17011



### 4. INSTALL FRONT AXLE HUB BOLT

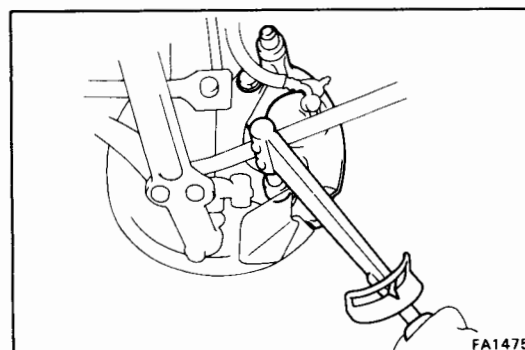
Hold the front axle hub, and install a new hub bolt.



### 5. INSTALL ROTOR DISC

Align the matchmarks and install the rotor disc.

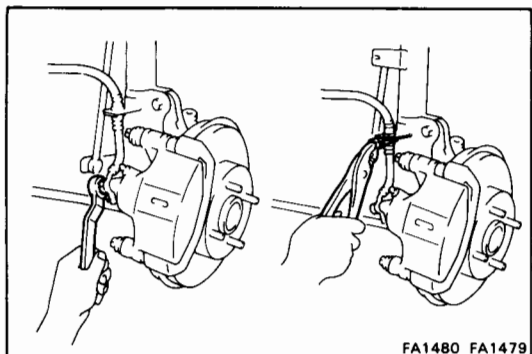
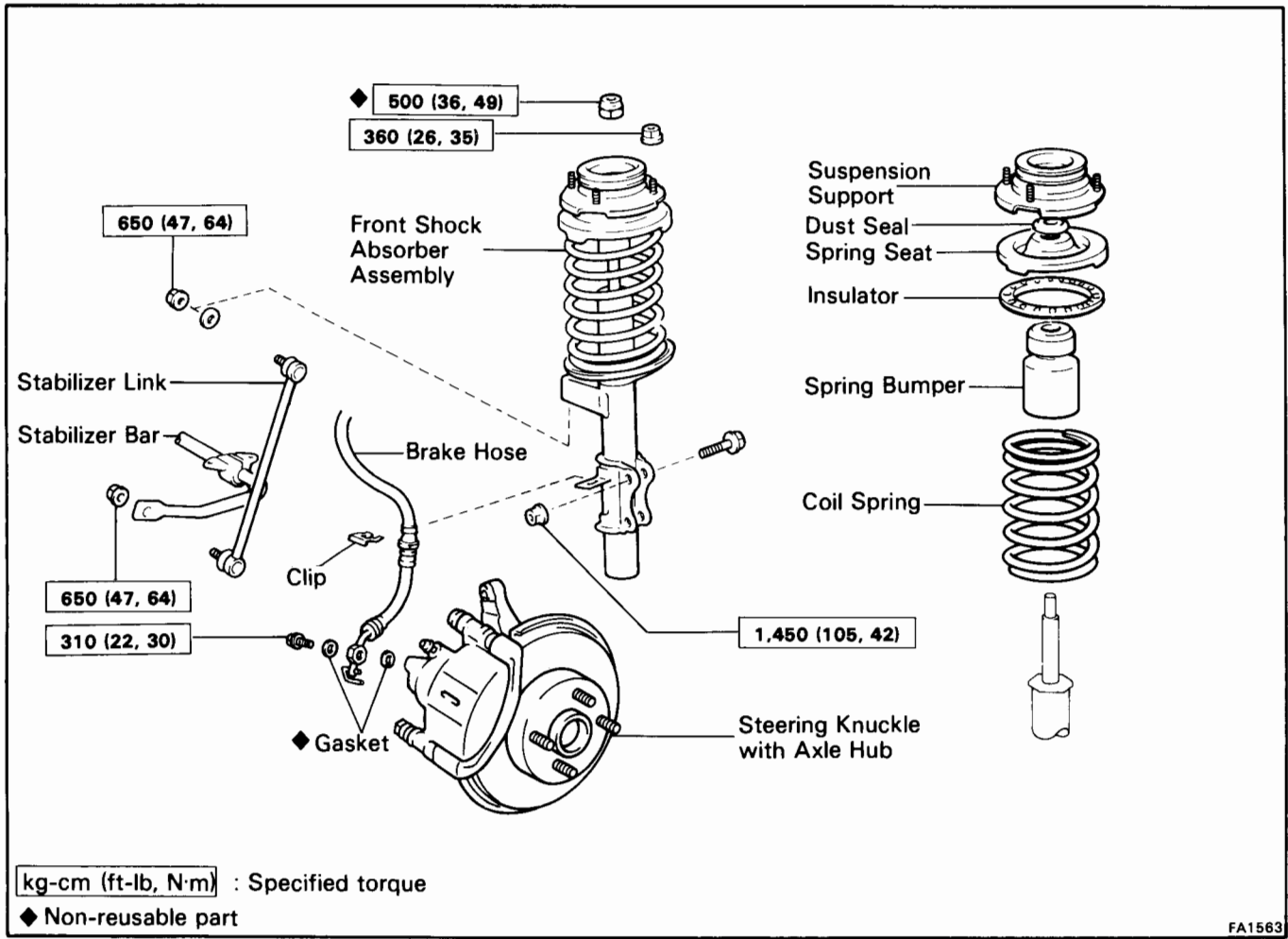
NOTE: If there is no matchmarks, temporarily install the rotor disc and measure the rotor disc runout and install the rotor disc in best position. (See step 3 on page BR-23)



### 6. INSTALL DISC BRAKE CALIPER TO STEERING KNUCKLE

Torque: 900 kg-cm (65 ft-lb, 88 N·m)

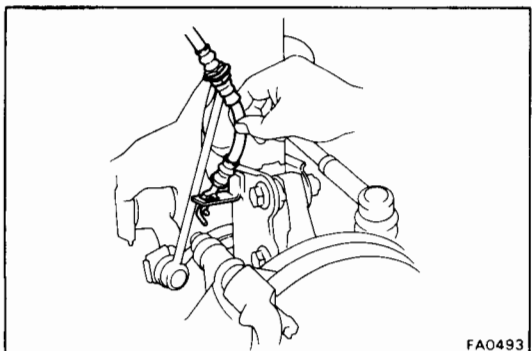
# FRONT SHOCK ABSORBER COMPONENTS



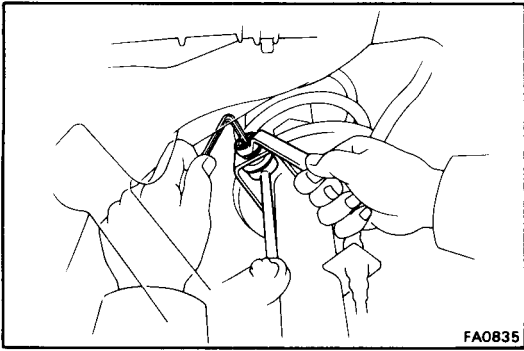
## REMOVAL OF FRONT SHOCK ABSORBER ASSEMBLY

### 1. DISCONNECT BRAKE HOSE

- (a) Remove the union bolt and disconnect the brake hose from the disc brake caliper.
- (b) Drain the brake fluid into a container.
- (c) Remove the clip from the shock absorber assembly.



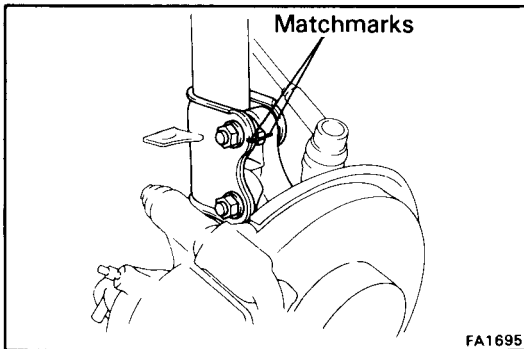
- (d) Pull off the brake hose from the shock absorber.



## 2. DISCONNECT STABILIZER LINK

Disconnect the stabilizer link from the shock absorber assembly.

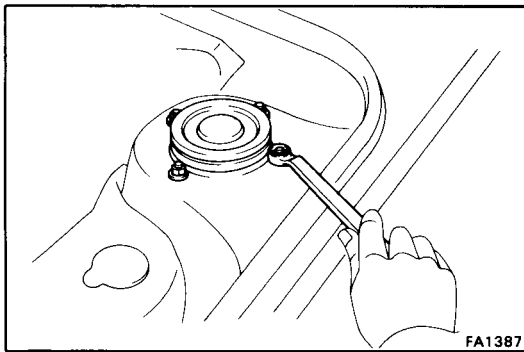
NOTE: If the ball joint stud turns together with the nut, use a hexagon wrench to hold the stud.



## 3. DISCONNECT STEERING KNUCKLE FROM SHOCK ABSORBER

(a) Place matchmarks on the shock absorber lower bracket and camber adjusting cam.

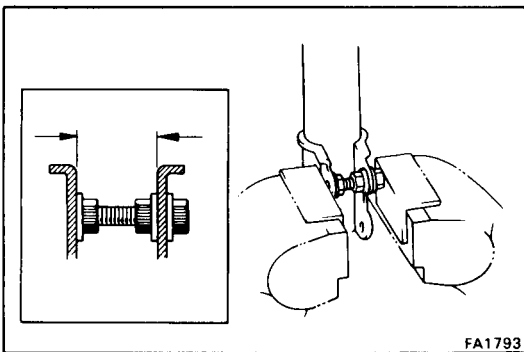
(b) Remove the nuts and bolts and disconnect the steering knuckle and shock absorber.



## 4. REMOVE SHOCK ABSORBER FROM BODY

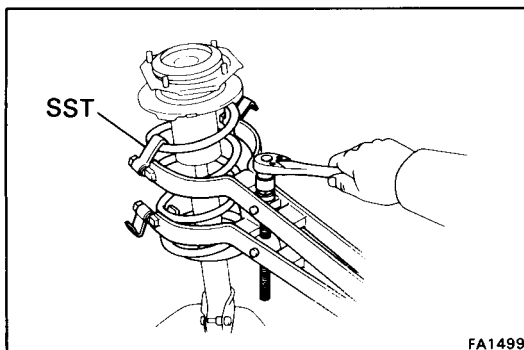
(a) Remove the four nuts holding top of the suspension support.

(b) Remove the shock absorber from the body.



## 5. CLAMP SHOCK ABSORBER IN VISE

Install a bolt and two nuts to the bracket at the lower portion of the shock absorber shell and secure it in a vise.

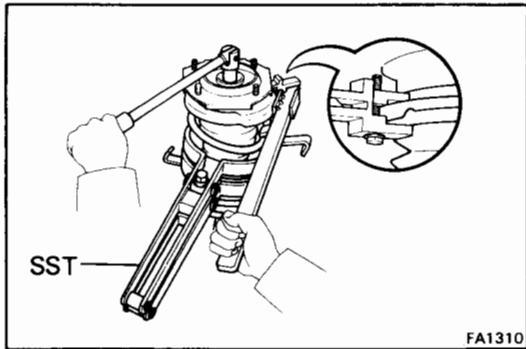


## 6. REMOVE COIL SPRING

(a) Using SST, compress the coil spring.

SST 09727-22032

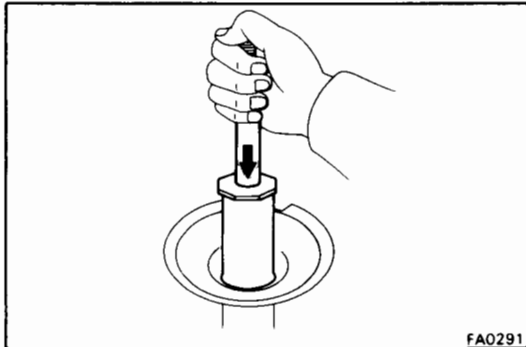




- (b) Using SST, hold the spring seat so that it will not turn, and remove the nut.

SST 09729-22031

- (c) Remove the suspension support, spring seat, spring, insulator and bumper.



## INSPECTION OF FRONT SHOCK ABSORBER ASSEMBLY

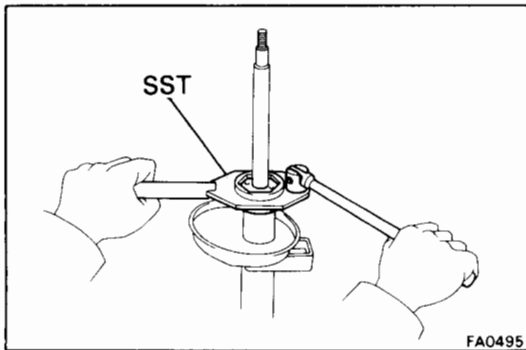
### INSPECT OPERATION OF SHOCK ABSORBER

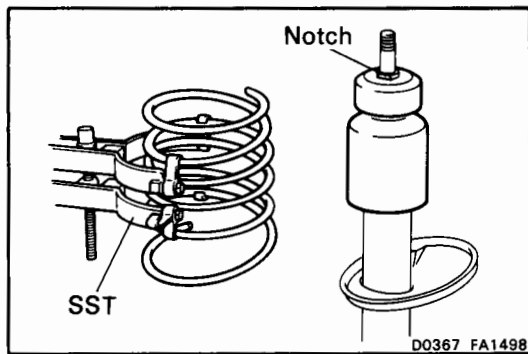
- (a) While pushing the piston rod, check that the pull throughout the stroke is even, and there is no abnormal resistance or noise.
- (b) Push the piston rod in fully and release it. Check that it returns at a constant speed throughout.

If the absorber operation is not as specified, replace the absorber, as an assembly.

**CAUTION:** Before discarding the shock absorber, first loosen the ring nut 2 or 3 turns with SST completely to release the gas.

SST 09720-00011 (09721-00071)



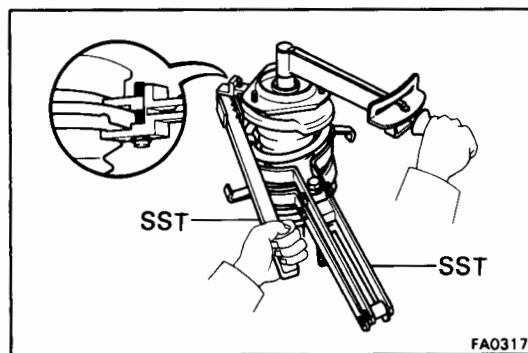
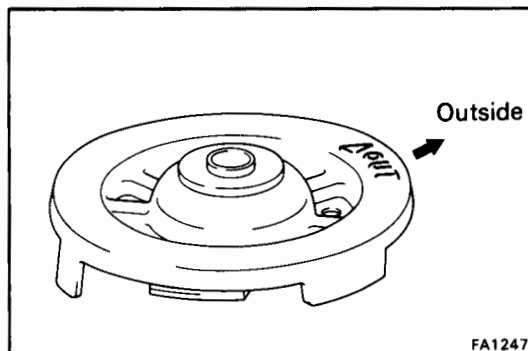


## INSTALLATION OF FRONT SHOCK ABSORBER ASSEMBLY

(See page FA-15)

### 1. INSTALL BUMPER, COIL SPRING, INSULATOR SPRING SEAT AND DUST SEAL

- (a) Install the bumper to the piston rod.
- (b) Using SST, compress the coil spring.  
SST 09727-22032
- (c) Align the coil spring end with the lower seat hollow and install.
- (d) Install the insulator.
- (e) Face the out mark of the spring seat toward the outside of the vehicle and align the piston rod notch and spring seat notch.
- (f) Install the dust seal on the spring seat.
- (g) Install the suspension support.



- (h) Using SST, install and torque a new suspension support nut.

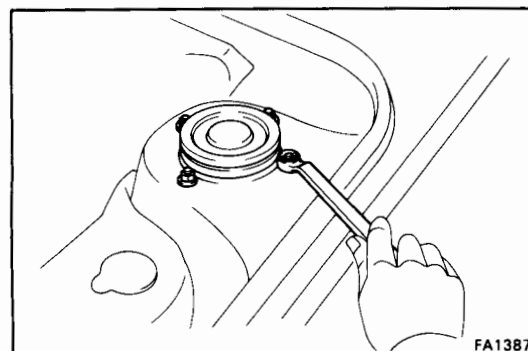
SST 09729-22031

**Torque: 500 kg-cm (36 ft-lb, 49 N·m)**

### 2. INSTALL SHOCK ABSORBER ASSEMBLY TO BODY

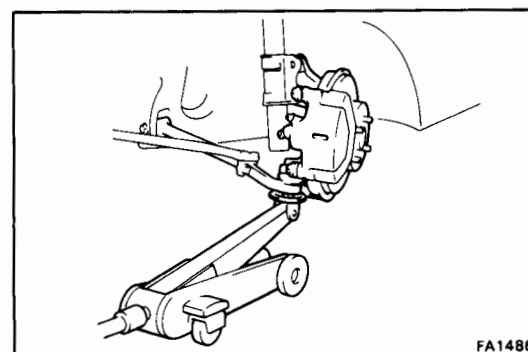
Install the four nuts holding the shock absorber to the body. Torque the nuts.

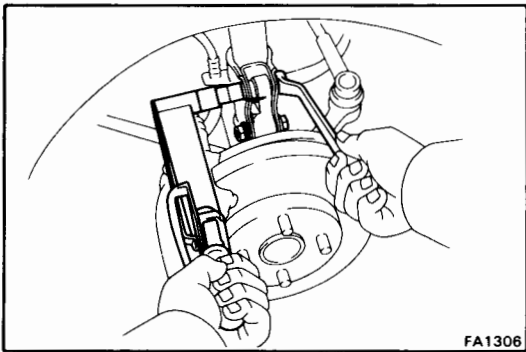
**Torque: 360 kg-cm (26 ft-lb, 35 N·m)**



### 3. INSTALL SHOCK ABSORBER TO STEERING KNUCKLE

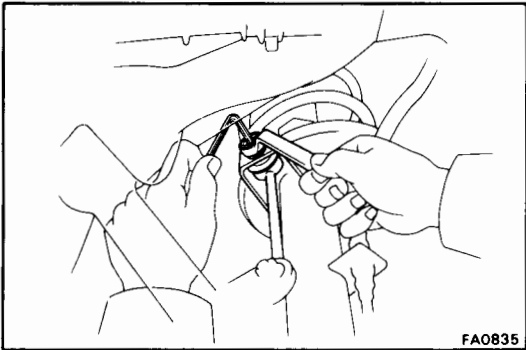
- (a) Install the camber adjusting cam onto the steering knuckle.
- (b) Jack up the lower arm and align the bolt holes.





- (c) Insert the bolts and align the matchmarks of the camber adjusting cam with the shock absorber.
- (d) Install and torque the nuts.

**Torque: 1,450 kg-cm (105 ft-lb, 142 N·m)**

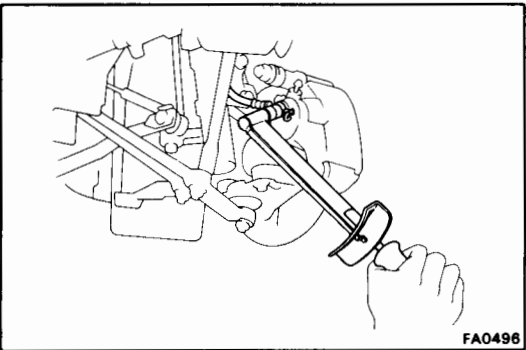


#### 4. CONNECT STABILIZER LINK

Connect the stabilizer link to the shock absorber assembly.

**Torque: 650 kg-cm (47 ft-lb, 64 N·m)**

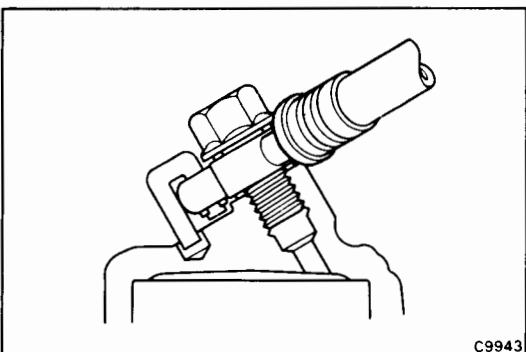
**NOTE:** If the ball joint stud turns together with the nut, use a hexagon wrench to hold the stud.



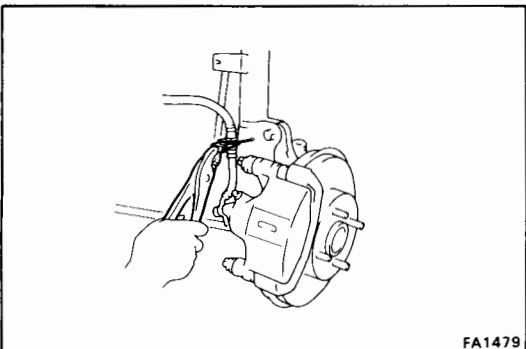
#### 5. CONNECT FLEXIBLE HOSE

- (a) Run the flexible hose through the shock absorber.
- (b) Connect the flexible hose to the disc brake caliper with the union bolt and new gaskets. Torque the union bolt.

**Torque: 310 kg-cm (22 ft-lb, 30 N·m)**



**NOTE:** When connecting the flexible hose to the caliper, connect so the peg aligns with the hole.

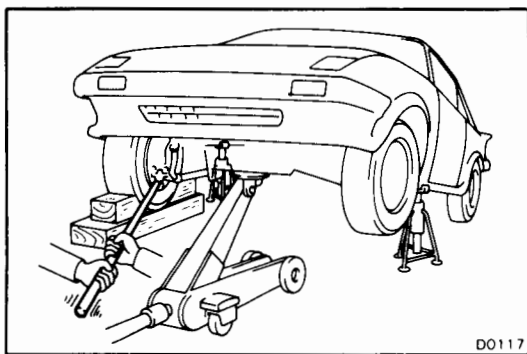
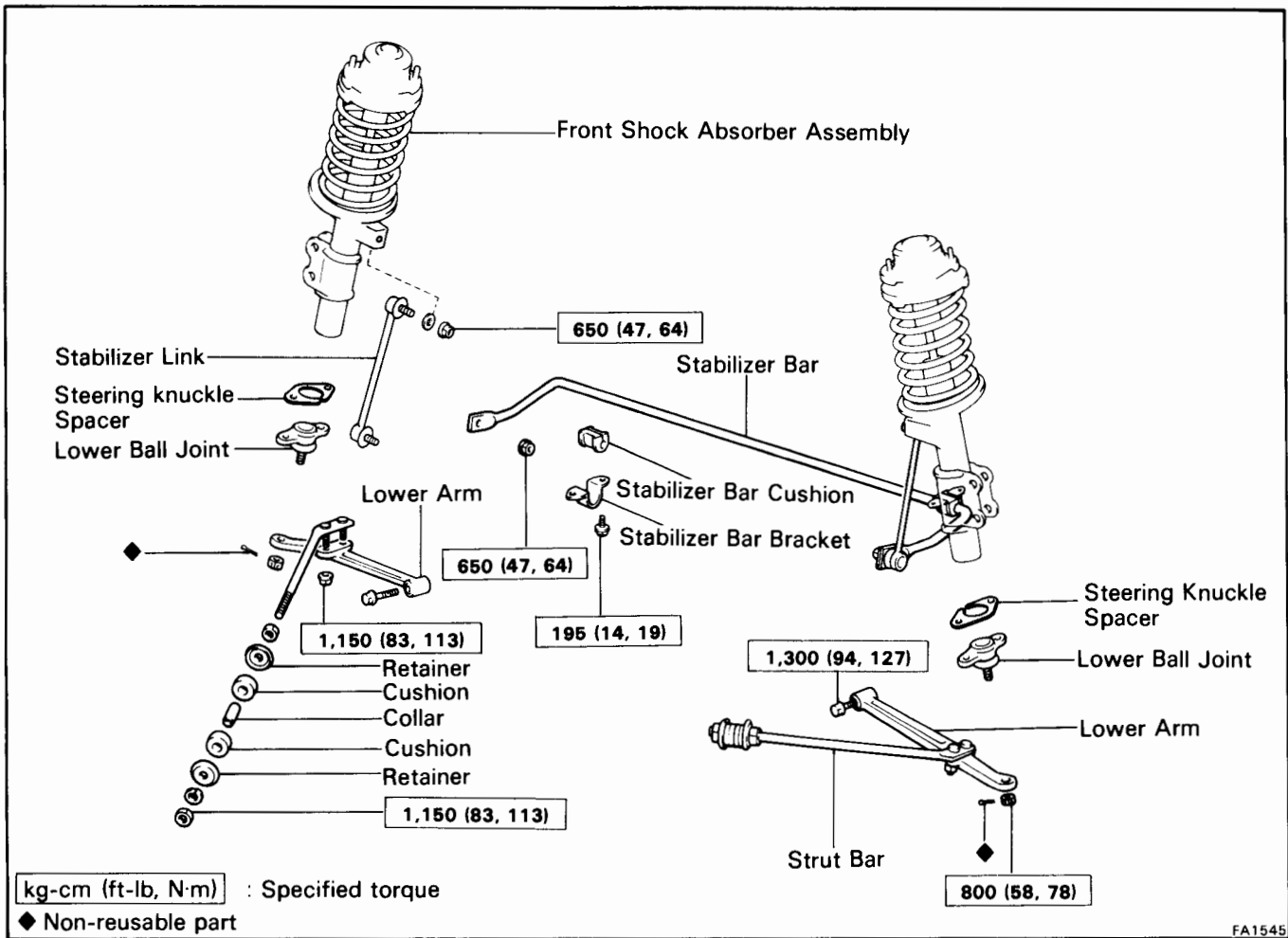


#### 6. INSTALL CLIP

#### 7. BLEED BRAKE LINE (See page BR-6)

#### 8. INSPECT CAMBER (See page FA-3)

# FRONT SUSPENSION COMPONENTS



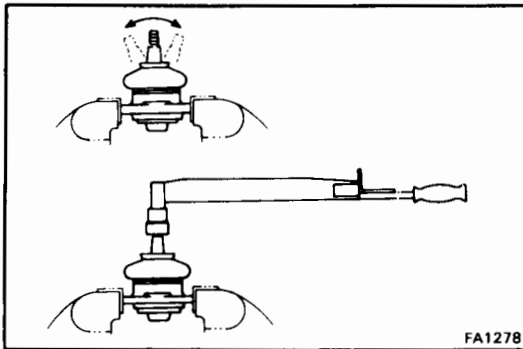
## Ball Joint

### INSPECTION OF BALL JOINT

#### 1. INSPECT BALL JOINT FOR EXCESSIVE LOOSENESS

- (a) Jack up the front of the vehicle and place a wooden block with a height of 180 – 200 mm (7.09 – 7.87 in.) under one front tire.
- (b) Lower the jack until there is about half a load on the front coil spring. Place stands under the vehicle for safety.
- (c) Make sure the front wheels are in a straight forward position and block the wheel with chocks.
- (d) Move the lower arm up and down and check that the ball joint has no play.

**Ball joint vertical play: 0 mm (0 in.)**



## 2. INSPECT BALL JOINT FOR ROTATION

- (a) Remove the ball joint.
- (b) Flip the ball joint stud back and forth 5 times as shown in the figure, before installing the nut.
- (c) Using a torque gauge, turn the nut continuously one every 2 – 4 seconds and take the torque reading on the fifth turn.

**Torque (turning):** 8 – 25 kg-cm  
(7 – 21 in.-lb, 0.8 – 2.4 N·m)

If not within specification, replace the ball joint.

- (d) Install the ball joint.

## Lower Arm

(See page FA-20)

### REMOVAL OF LOWER ARM

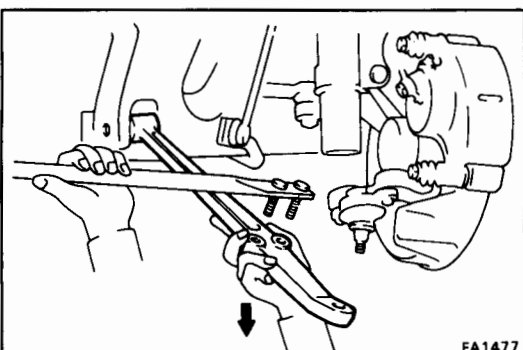
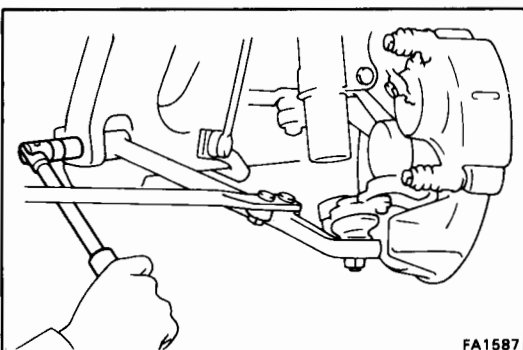
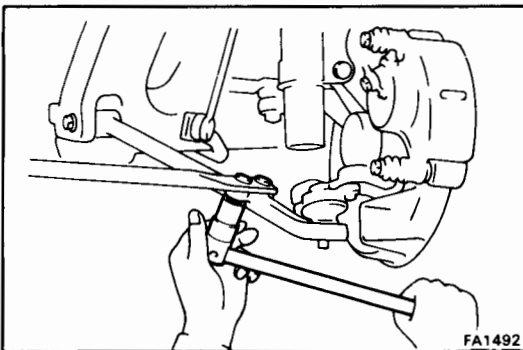
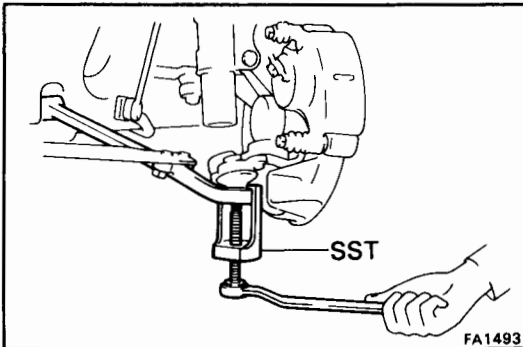
#### 1. DISCONNECT LOWER ARM FROM BALL JOINT

- (a) Remove the cotter pin and castle nut.
- (b) Using SST, disconnect the lower arm from the ball joint.

SST 09610-20012

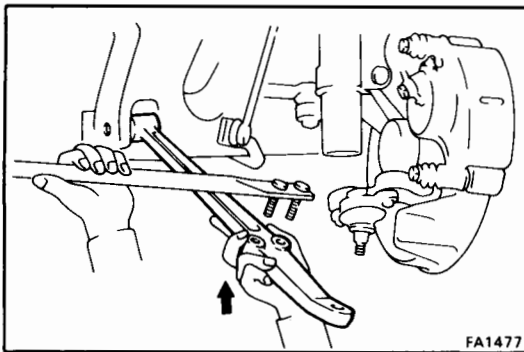
#### 2. DISCONNECT STRUT BAR FROM LOWER ARM

Remove the two nuts and disconnect the strut bar from the lower arm.



#### 3. REMOVE LOWER ARM

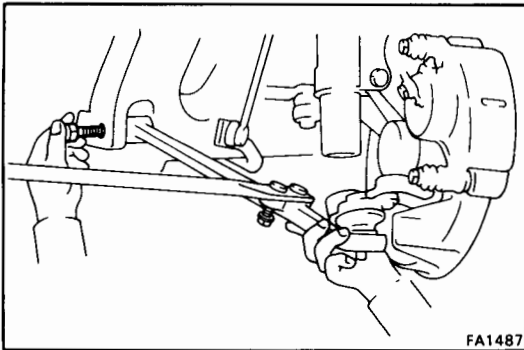
Remove the bolt and lower arm from the body.



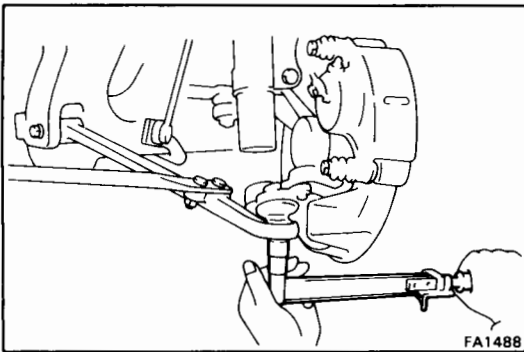
## INSTALLATION OF LOWER ARM

### 1. INSTALL LOWER ARM

- (a) Temporarily install the strut bar to the lower arm with the nuts.



- (b) Temporarily install the lower arm to the body with the bolt.



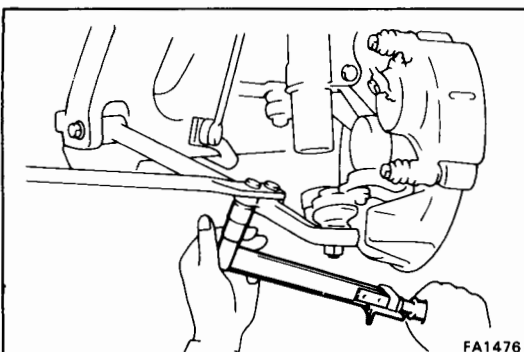
### 2. CONNECT LOWER ARM TO BALL JOINT

- (a) Connect the lower arm to the ball joint and torque the castle nut.

**Torque: 800 kg-cm (58 ft-lb, 78 N·m)**

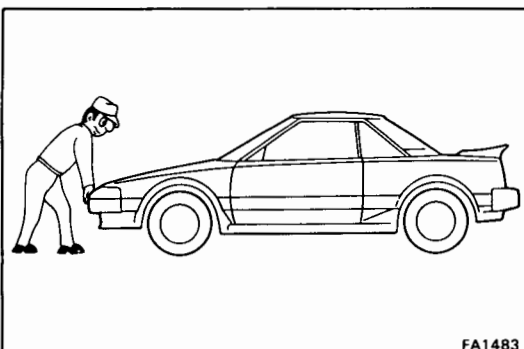
- (b) Install a new cotter pin.

**NOTE:** If the cotter pin hole does not line up, correct by tightening the nut by the smallest amount possible.



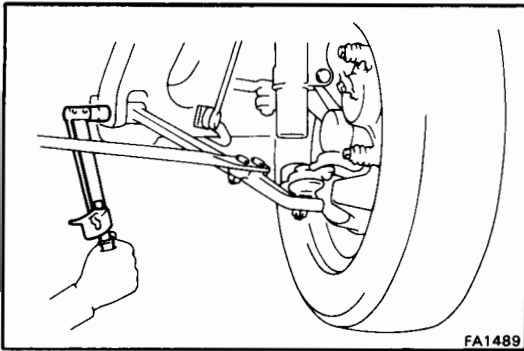
### 3. TORQUE STRUT BAR TO LOWER ARM

**Torque: 1,150 kg-cm (83 ft-lb, 113 N·m)**



### 4. TORQUE LOWER ARM TO BODY

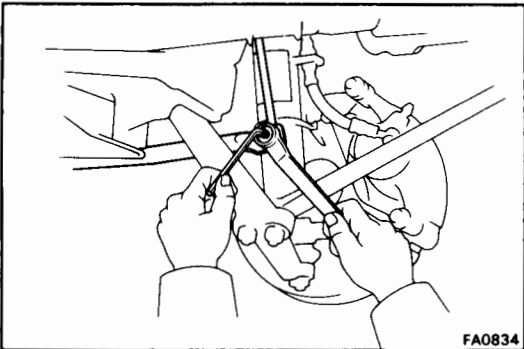
- (a) Install the wheel and lower the vehicle. Then rock the vehicle up and down to stabilize the suspension.



(b) Torque the bolt.

**Torque: 1,300 kg-cm (94 ft-lb, 127 N·m)**

**5. INSPECT FRONT WHEEL ALIGNMENT**  
(See page FA-3)



**Stabilizer Bar and Link**

(See page FA-20)

**REMOVAL OF STABILIZER BAR AND LINK**

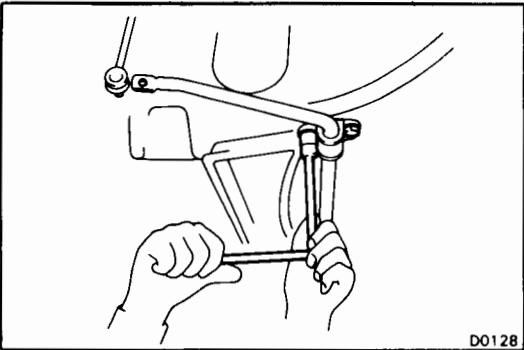
**1. DISCONNECT STABILIZER LINK FROM STABILIZER BAR**

Remove the nut and disconnect the stabilizer link from stabilizer bar.

**NOTE:** If the ball joint stud turns together with the nut, use a hexagon wrench to hold the stud.

**2. REMOVE STABILIZER BAR FROM BODY**

Remove the bolts and stabilizer with brackets.

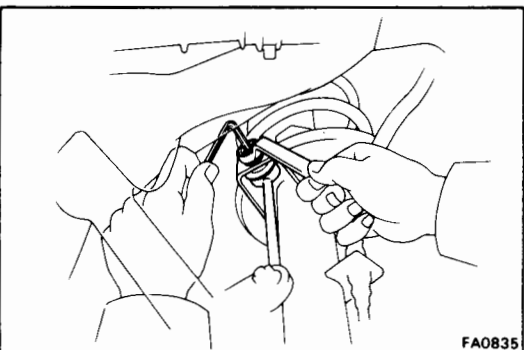


**3. REMOVE STABILIZER LINK FROM FRONT SHOCK ABSORBER ASSEMBLY**

Remove the nut and stabilizer link.

**4. REMOVE STABILIZER BRACKET AND STABILIZER BAR CUSHION**

**NOTE:** If the ball joint stud turns together with the nut, use a hexagon wrench to hold the stud.

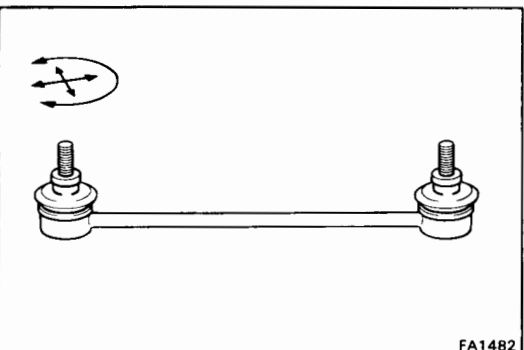


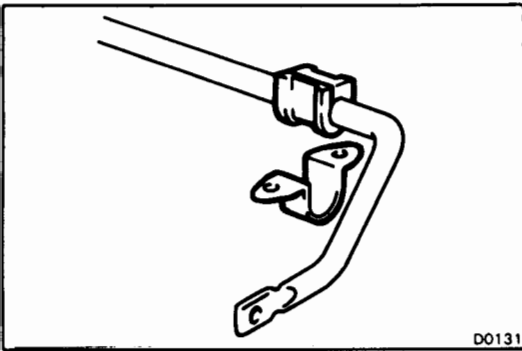
**INSPECTION OF STABILIZER LINK**

**INSPECT STABILIZER LINK**

Rotate ball joint arm in all directions.

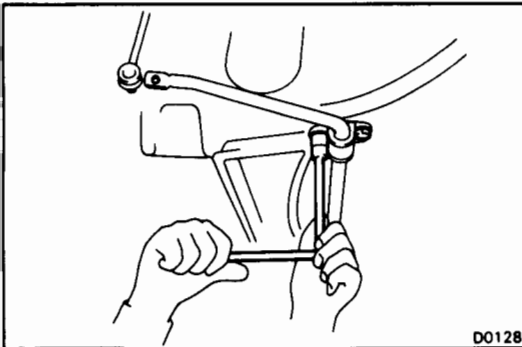
If the movement is not smooth and free, replace the stabilizer link.



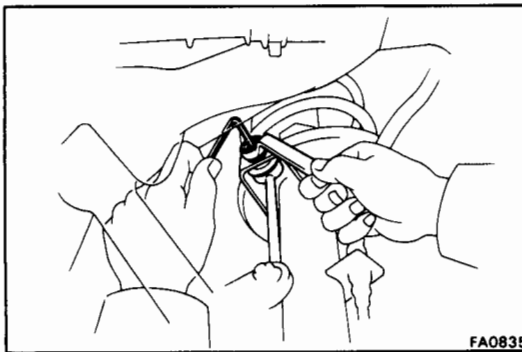


## INSTALLATION OF STABILIZER BAR AND LINK

1. **INSTALL STABILIZER BAR CUSHION AND STABILIZER BRACKETS**



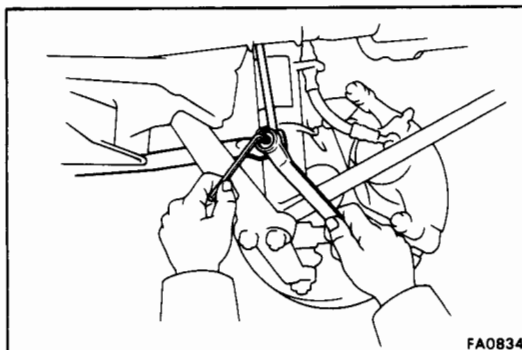
2. **INSTALL STABILIZER BAR TO BODY**  
Torque: 195 kg-cm (14 ft-lb, 19 N·m)



3. **INSTALL STABILIZER LINK TO FRONT SHOCK ABSORBER ASSEMBLY**

Torque: 650 kg-cm (47 ft-lb, 64 N·m)

NOTE: If the ball joint stud turns together with the nut, use a hexagon wrench to hold the stud.

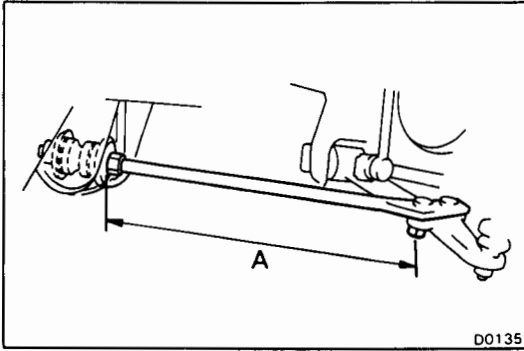


4. **CONNECT STABILIZER LINK TO STABILIZER BAR**

Torque: 650 kg-cm (47 ft-lb, 64 N·m)

NOTE: If the ball joint stud turns together with the nut, use a hexagon wrench to hold the stud.



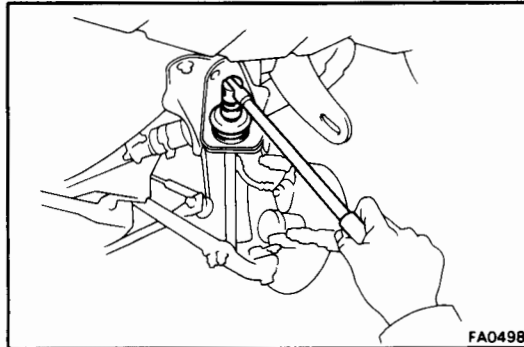


## Strut Bar

(See page FA-20)

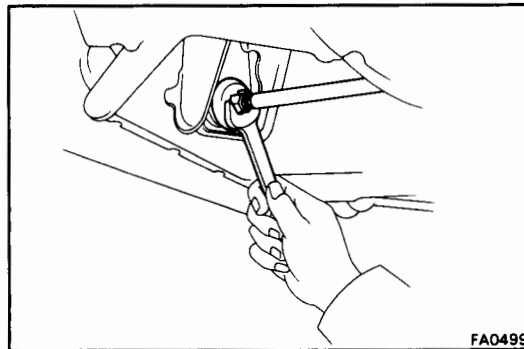
### REMOVAL OF STRUT BAR

#### 1. MEASURE LENGTH "A"

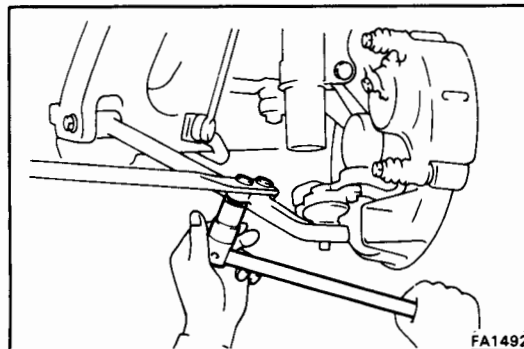


#### 2. REMOVE STRUT BAR

(a) Remove the nut, front retainer and cushion.

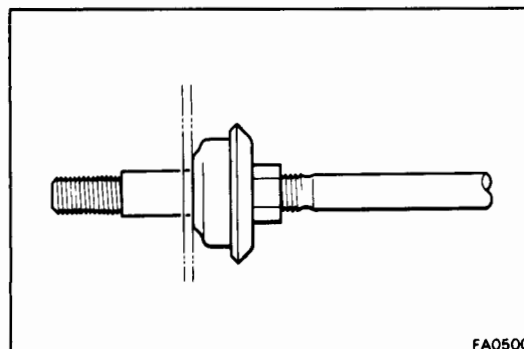


(b) Loosen the nut.



(c) Disconnect the strut bar from the lower arm, and remove the lower arm from the body.

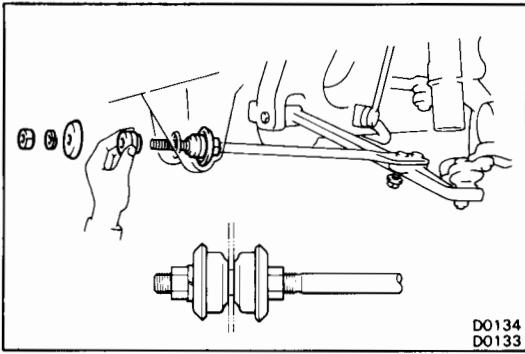
(d) Remove the collar, cushion retainer and nut from the strut bar.



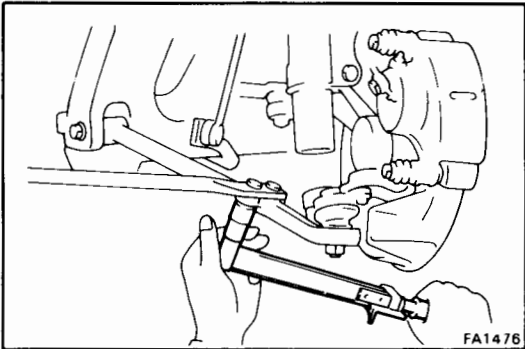
### INSTALLATION OF STRUT BAR

#### 1. INSTALL STRUT BAR

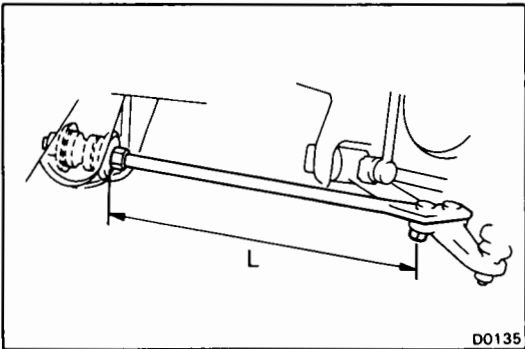
(a) Install the nut, retainer, cushion and collar to the strut bar.



- (b) Install the strut bar to the body, and connect to the lower arm.
- (c) Install the cushion, retainer and nut.



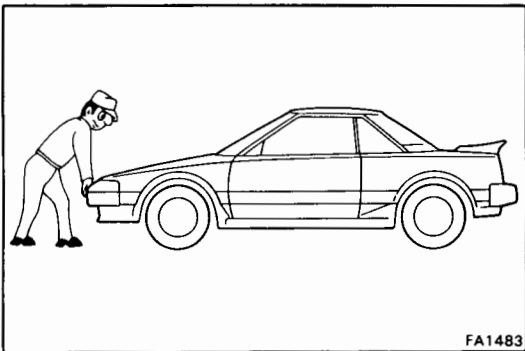
- 2. TORQUE LOWER ARM TO STRUT BAR**  
Torque: 1,150 kg-cm (83 ft-lb, 113 N·m)



**3. ADJUST STRUT BAR LENGTH**

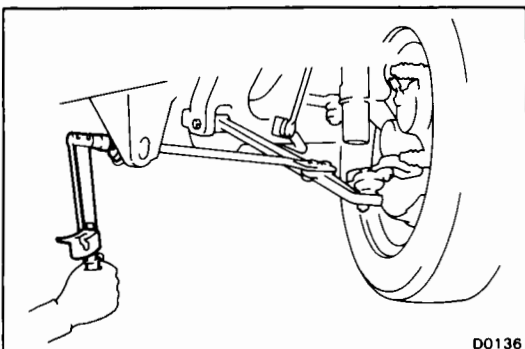
Turn the nut and adjust to the previous length.  
(See page FA-25)

NOTE: The length of "L" in figure should be approximately 362 – 363 mm (14.25 – 14.29 in.)



**4. TORQUE STRUT BAR TO BODY**

- (a) Install the wheel and lower the vehicle.  
Then rock the vehicle up and down to stabilize the suspension.



- (b) Torque the nut.  
Torque: 1,150 kg-cm (83 ft-lb, 113 N·m)

**5. INSPECT FRONT WHEEL ALIGNMENT**  
(See page FA-3)

# REAR AXLE AND SUSPENSION

	<b>Page</b>
<b>TROUBLESHOOTING</b> .....	<b>RA-2</b>
<b>REAR WHEEL ALIGNMENT</b> .....	<b>RA-3</b>
<b>REAR AXLE HUB AND CARRIER</b> .....	<b>RA-6</b>
<b>REAR DRIVE SHAFT</b> .....	<b>RA-14</b>
<b>REAR SUSPENSION</b> .....	<b>RA-23</b>
<b>Rear Shock Absorber</b> .....	<b>RA-24</b>
<b>Ball Joint</b> .....	<b>RA-28</b>
<b>Lower Arm</b> .....	<b>RA-29</b>
<b>Strut Rod</b> .....	<b>RA-31</b>
<b>Suspension Arm</b> .....	<b>RA-32</b>

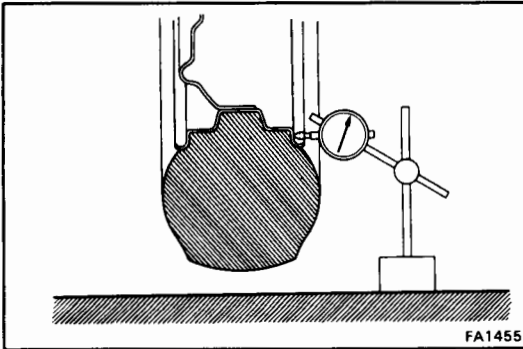
## TROUBLESHOOTING

Problem	Possible cause	Remedy	Page
Wanders/pulls	Tires worn or improperly inflated	Inflate tires to proper pressure or replace tires	RA-3
	Alignment incorrect	Check rear alignment	RA-3
	Hub bearing worn	Replace hub bearing	RA-6
	Front or rear suspension parts loose or broken	Tighten or replace suspension parts	
Bottoming	Vehicle overloaded	Check loading	
	Shock absorber worn out	Replace shock absorber	RA-31
	Springs weak	Replace spring	RA-31
Sways/pitches	Tires improperly inflated	Inflate tires to proper pressure	RA-3
	Shock absorber worn out	Replace shock absorber	RA-31
Front wheel shimmy	Tires worn or improperly inflated	Replace tires or inflate to proper pressure	RA-3
	Wheels out of balance	Balance wheels	
	Shock absorber worn out	Replace shock absorber	RA-31
	Alignment incorrect	Check rear alignment	RA-3
	Hub bearing worn	Replace hub bearing	RA-6
	Ball joints or bushings worn	Inspect ball joints and bushings	RA-35
Abnormal tire wear	Tires improperly inflated	Inflate tires to proper pressure	RA-3
	Shock absorbers worn out	Replace shock absorber	RA-31
	Alignment incorrect	Check toe-in	RA-3
	Suspension parts worn	Replace suspension parts	

## REAR WHEEL ALIGNMENT

### 1. MAKE FOLLOWING CHECKS AND CORRECT ANY PROBLEMS

- (a) Check the tires for wear, size and proper inflation. (See page FA-3)



- (b) Check wheel runout.

- (c) Check the rear wheel bearings for looseness.

**Lateral runout: 1.2 mm (0.047 in.) or less**

- (d) Check the rear suspension for looseness.

- (e) Check that the rear absorbers work properly by using the standard bounce test.

### 2. MEASURE CHASSIS GROUND CLEARANCE (See page FA-3)

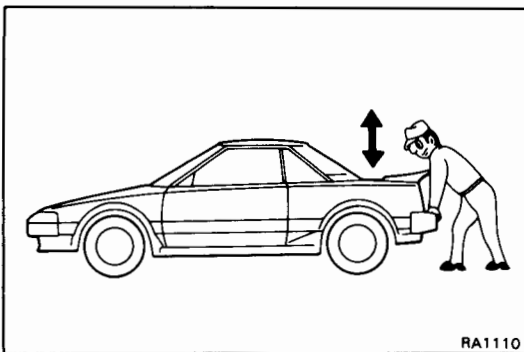
If the clearance of the vehicle is not as specified, try to level the vehicle by shaking it down.

If the height of the vehicle is still not correct, check for bad springs worn or loose suspension parts.

**NOTE:** Before inspecting wheel alignment, adjust chassis ground clearance to spec.

### 3. INSPECT CAMBER

- (a) Rock the vehicle up and down to stabilize the suspension.



- (b) Inspect the camber.

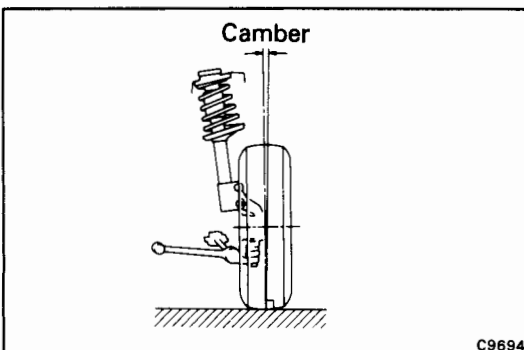
**Camber:**

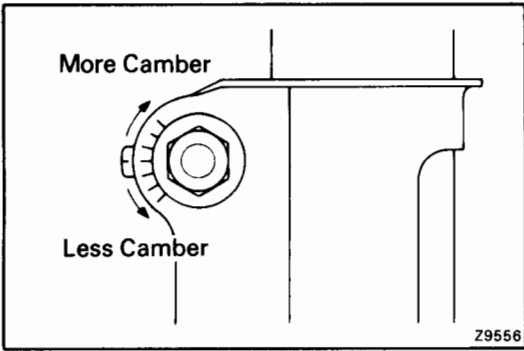
**Inspection standard:  $-55' \pm 45'$**

**Left-right error: 30' or less**

If not within specification, inspect and replace any damaged or worn rear suspension parts.

**NOTE:** After replacing damaged or worn suspension parts, inspect the camber. If camber is still not within standard, adjust the camber.





**4. ADJUST CAMBER**

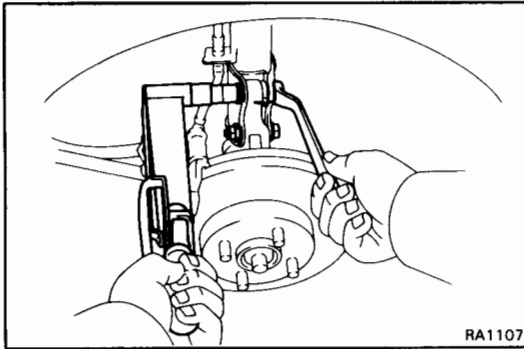
- (a) Loosen the shock absorber set nut.
- (b) Turn the cam to adjust.

NOTE: Camber changes about 18' with each graduation of the cam.

**Camber:**

**Adjustment standard:**  $-55' \pm 30'$

**Left-right error:** 30' or less



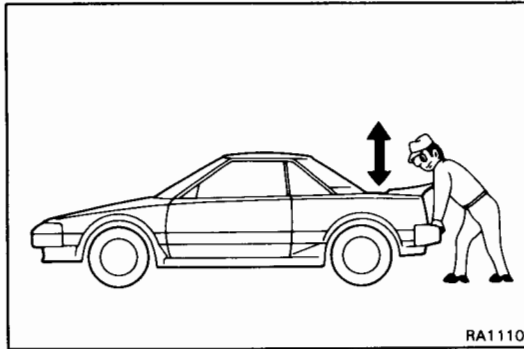
- (c) Torque the shock absorber set nut.

**Torque:** 2,300 kg-cm (166 ft-lb, 226 N·m)

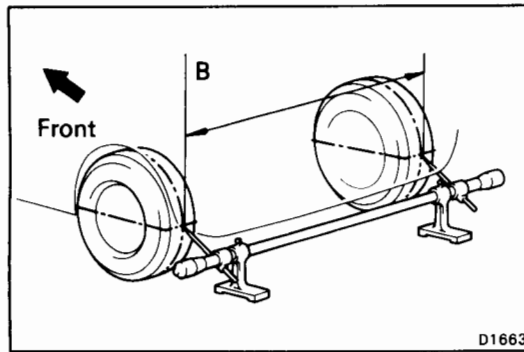
**5. INSPECT TOE-IN**

Adjust toe-in with a toe-in gauge in the following procedure.

- (a) Bounce the vehicle up and down to stabilize the suspension.
- (b) Move the vehicle forward about 5 m (16.4 ft) with the front wheels in the straight-ahead position on a level place.

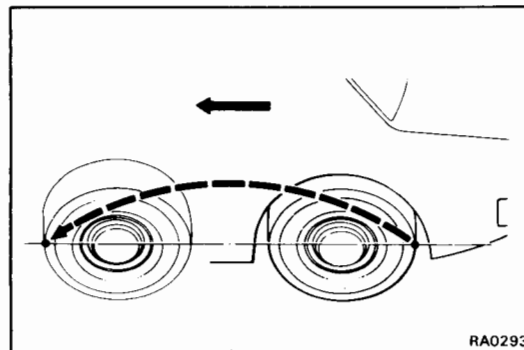


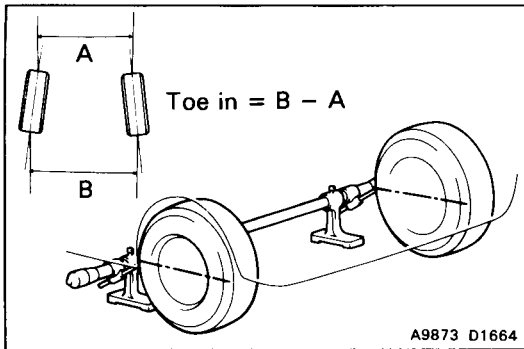
- (c) Mark the center of each rear tread and measure the distance between the marks of the right and left tires.



- (d) Advance the vehicle until the marks on the rear sides of the tires come to the measuring heights of the gauge on the front side.

NOTE: If the tire rolls too far, repeat from step (b).





- (e) Measure the distance between the marks on the front side of the tires.

**Toe-in:**

**Inspection STD  $5 \pm 2$  mm ( $0.20 \pm 0.08$  in.)**

If not within specification, inspect and replace any damaged or worn rear suspension parts.

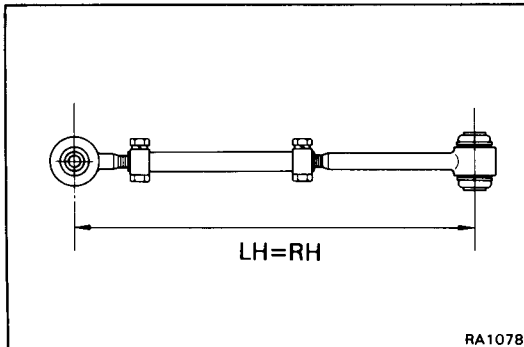
NOTE: After replacing damaged or worn suspension parts, measure the toe-in following (b), (c), (d) and (e) above. If toe-in is still not within standard, adjust the toe-in.

**6. ADJUST TOE-IN**

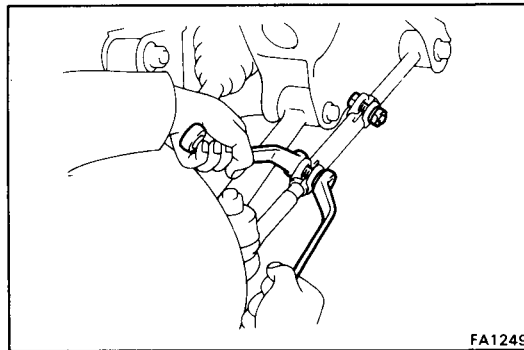
- (a) Measure the lengths of the left and right suspension arms to see if the length are equal.

If not equal, adjust following the procedures below.

- If the toe-in is less than standard, adjust the length of the shorter arm by the tie rod tube.
- If the toe-in is greater than standard, adjust the length of the longer arm by the tie rod tube.



- (b) Loosen the clamp bolts and nuts.

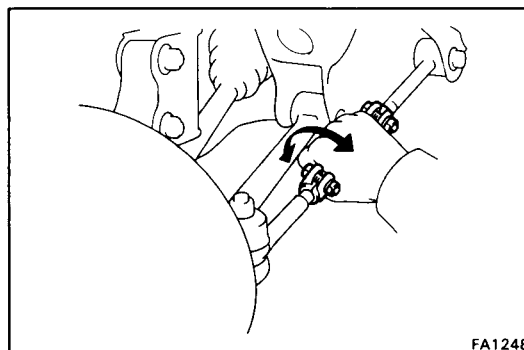


- (c) Turn the left and right tie rod tubes an equal amount.

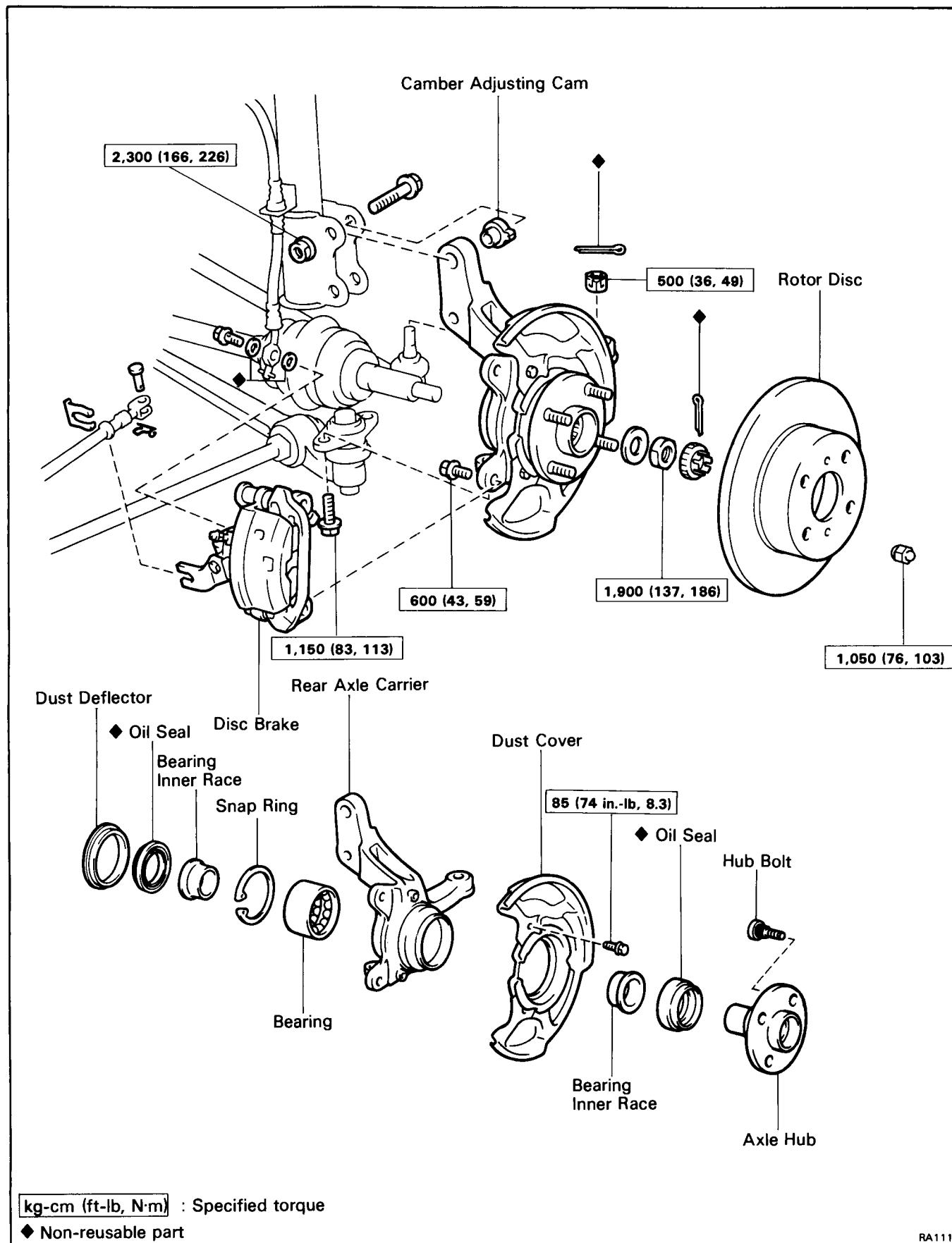
**Toe-in:**

**Adjustment STD  $5 \pm 1$  mm ( $0.20 \pm 0.04$  in.)**

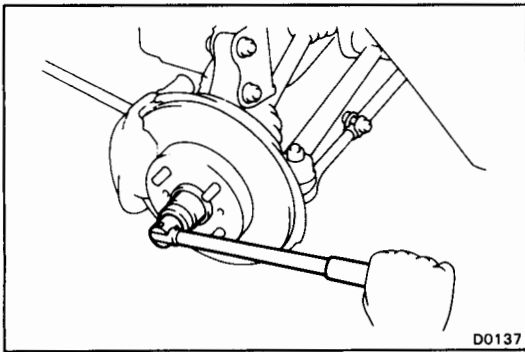
- (d) Tighten the clamp bolts and nuts.
- (e) After toe-in adjustment, check that the suspension arm can be rotated by  $10^\circ$  or more.



# REAR AXLE HUB AND CARRIER COMPONENTS







D0137

## REMOVAL OF REAR AXLE HUB AND CARRIER

(See page RA-6)

### 1. REMOVE COTTER PIN, BEARING LOCK NUT CAP AND BEARING LOCK NUT

- (a) Remove the cotter pin and bearing lock nut cap.
- (b) With the parking brake engaged, remove the bearing lock nut.

### 2. DISCONNECT PARKING BRAKE CABLE

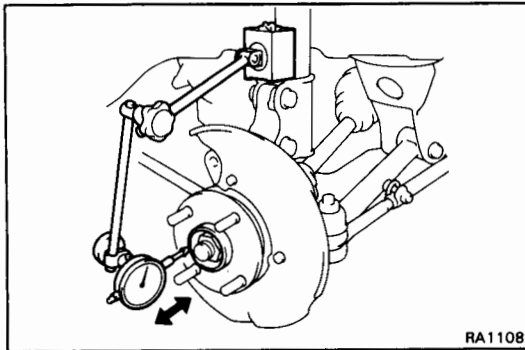
### 3. REMOVE BRAKE CALIPER

Remove the brake caliper from the rear axle carrier and suspend it with wire.

### 4. REMOVE ROTOR DISC

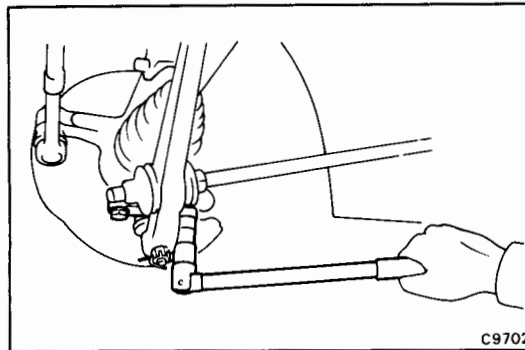
### 5. CHECK BEARING PLAY IN AXIAL DIRECTION

Bearing play: 0.05 mm (0.0020 in.) or less



RA1108

### 6. DISCONNECT REAR AXLE CARRIER FROM LOWER ARM

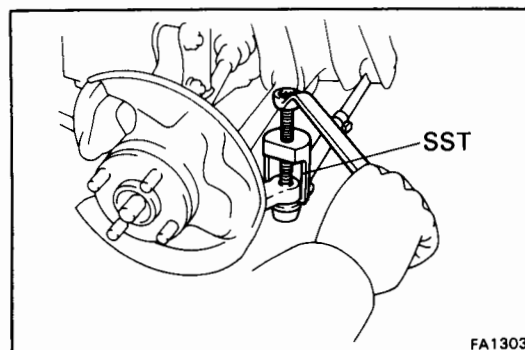


C9702

### 7. DISCONNECT SUSPENSION ARM

- (a) Remove the cotter pin and nut.
- (b) Using SST, disconnect the suspension arm from the rear axle carrier.

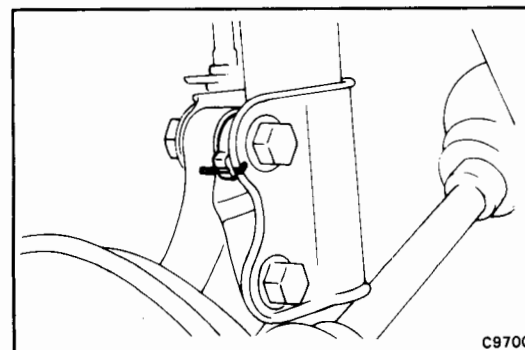
SST 09610-20012



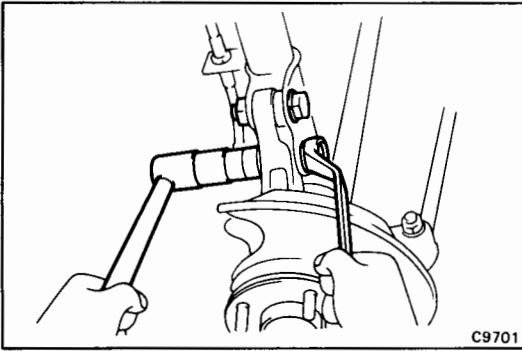
FA1303

### 8. REMOVE REAR AXLE CARRIER WITH AXLE HUB

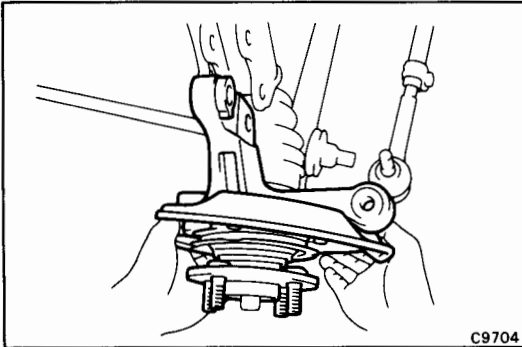
- (a) Place matchmarks on the shock absorber's lower bracket and camber adjusting cam.



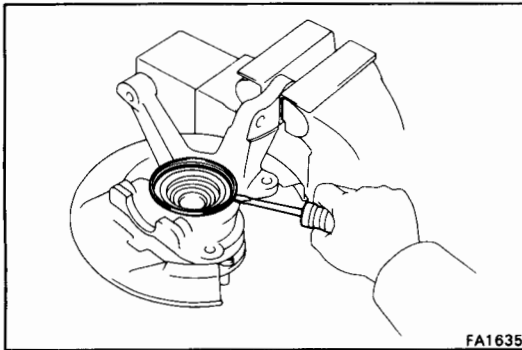
C9700



- (b) Remove the two axle carrier set nuts and two bolts with the camber adjusting cam.



- (c) Remove the rear axle carrier and axle hub.  
**CAUTION:** Cover the drive shaft boot with cloth to protect it from damage.

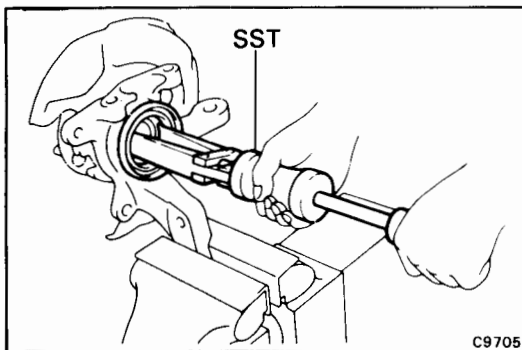


## DISASSEMBLY OF REAR AXLE HUB AND CARRIER

(See page RA-6)

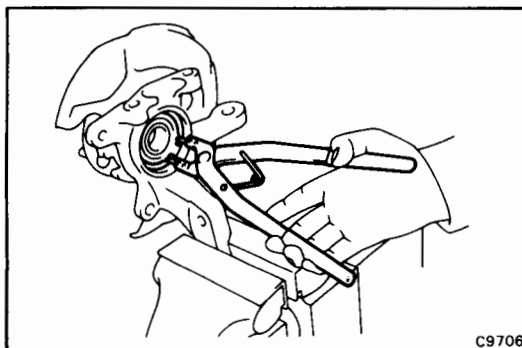
### 1. REMOVE DUST DEFLECTOR

- (a) Clamp the rear axle hub and carrier in a soft jaw vise.  
 (b) Using a screwdriver remove the dust deflector.



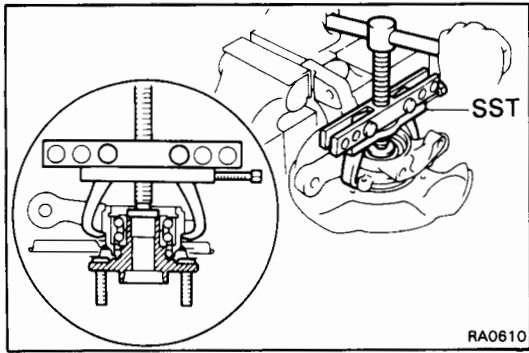
### 2. REMOVE INNER OIL SEAL

- Using SST, remove the oil seal from the rear axle carrier.  
 SST 09308-00010



### 3. REMOVE HOLE SNAP RING

- Using snap ring pliers, remove the hole snap ring.



**4. REMOVE AXLE HUB**

- (a) Remove the three bolts holding the disc brake dust cover to the rear axle carrier.
- (b) Using SST, remove the axle hub from the rear axle carrier.

SST 09950-20017

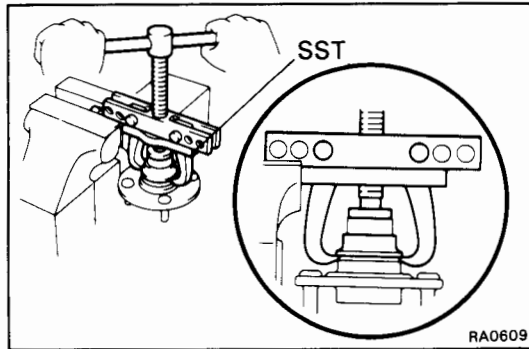
- (c) Remove the disc brake dust cover.

**5. REMOVE BEARING INNER RACE (INSIDE)**

**6. REMOVE BEARING INNER RACE (OUTSIDE)**

Using SST, remove the inner race (outside) from the rear axle hub.

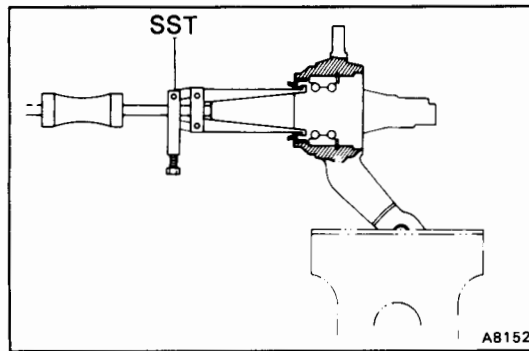
SST 09950-20017



**7. REMOVE OUTER OIL SEAL**

Using SST, remove the oil seal from the rear axle carrier.

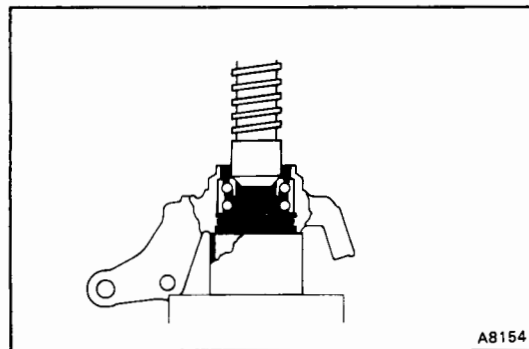
SST 09308-00010

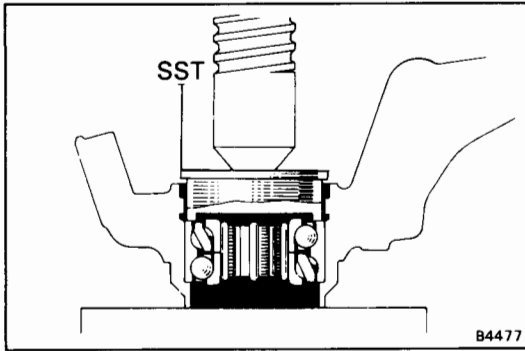


**8. REMOVE HUB BEARING**

- (a) First, place the removed inner race (outside) in the bearing.
- (b) Using a press, press out the bearing.

**CAUTION:** Always replace the bearing as an assembly.





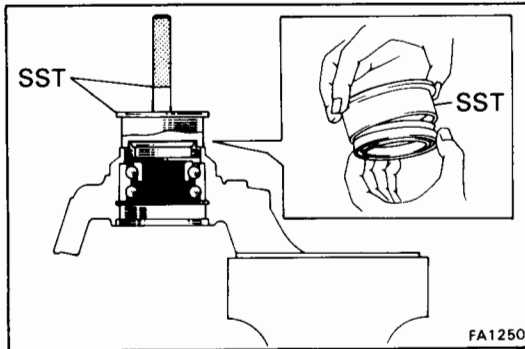
## ASSEMBLY OF REAR AXLE HUB AND CARRIER

(See page RA-6)

### 1. INSTALL HUB BEARING

Using SST and a press, press a new bearing into the rear axle carrier.

SST 09608-32010



### 2. INSTALL NEW OUTER OIL SEAL

(a) Place a new bearing inner race (outside) on the hub bearing.

(b) Rotate and insert the lip of a new oil seal into SST.

SST 09608-32010

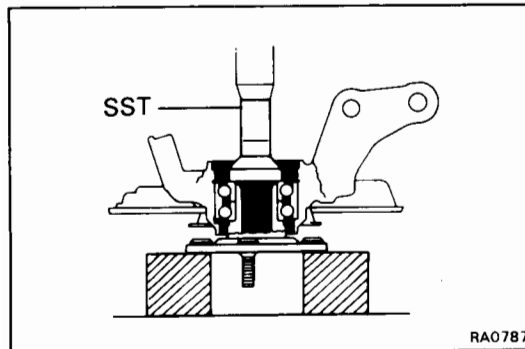
(c) Using SST, drive the oil seal into the rear axle carrier.

SST 09608-32010 and 09710-14012 (09710-00050)

(d) Apply MP grease to the oil seal lip.

### 3. INSTALL DISC BRAKE DUST COVER

Install the disc brake dust cover with the three bolts.

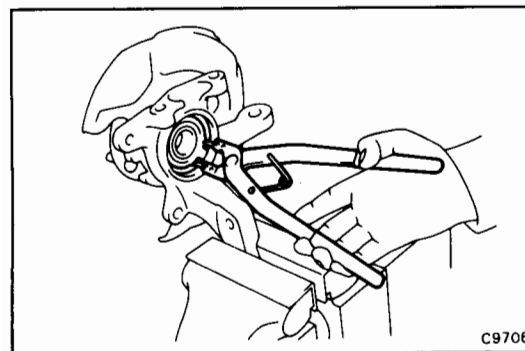


### 4. INSTALL AXLE HUB

(a) Place a new bearing inner race (inside) on the hub bearing.

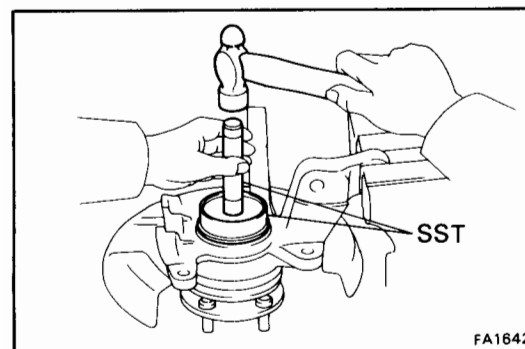
(b) Using SST and a press, press the hub into the rear axle carrier.

SST 09310-35010



### 5. INSTALL HOLE SNAP RING

Using pliers, install a hole snap ring into the rear axle carrier.



### 6. INSTALL INNER OIL SEAL

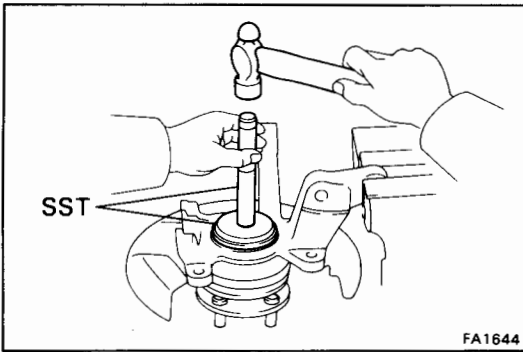
(a) Rotate and insert the lip of a new oil seal into SST.

SST 09608-32010

(b) Using SST, tap the oil seal into the rear axle carrier.

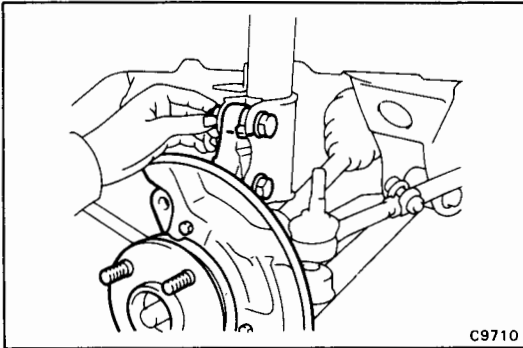
SST 09608-32010 and 09710-14012 (09710-00050)

(c) Apply MP grease to the oil seal lip.



**7. INSTALL DUST DEFLECTOR**

Using SST, drive the dust deflector to the rear axle carrier.  
SST 09608-35014 (09608-06020, 09608-06180)



**INSTALLATION OF REAR AXLE HUB AND CARRIER**

(See page RA-6)

**1. INSTALL REAR AXLE CARRIER WITH AXLE HUB**

- (a) Place the rear axle carrier to the shock absorber's lower bracket.
- (b) Install the camber adjusting cam, two set bolts and two nuts.
- (c) Align the matchmarks of the camber adjusting cam and shock absorber's lower bracket.
- (d) Torque the nuts.

**Torque: 2,300 kg-cm (166 ft-lb, 226 N·m)**

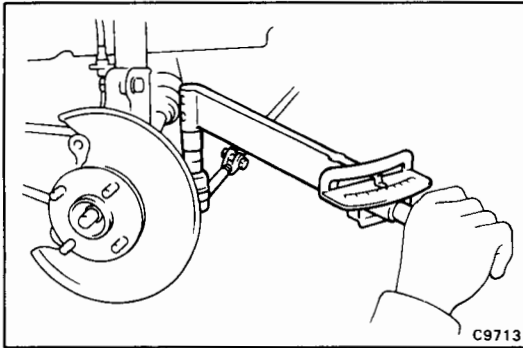
**2. CONNECT SUSPENSION ARM**

- (a) Torque the nut.

**Torque: 500 kg-cm (36 ft-lb, 49 N·m)**

- (b) Install a new cotter pin.

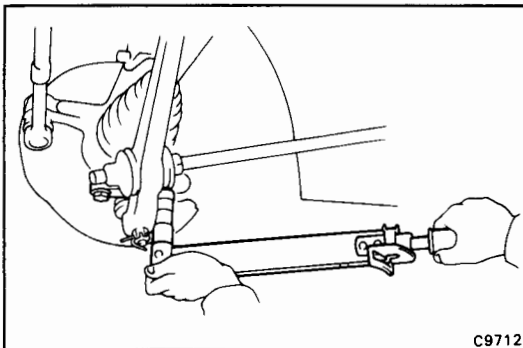
**NOTE:** If the cotter pin does not line up, correct by tightening the nut by the smallest amount possible.



**3. CONNECT REAR AXLE CARRIER TO LOWER ARM**

**Torque: 1,150 kg-cm (83 ft-lb, 113 N·m)**

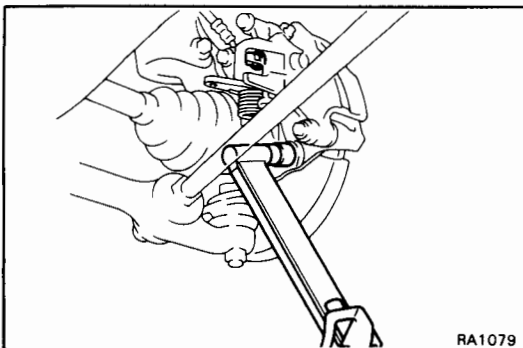
**4. INSTALL ROTOR DISC**

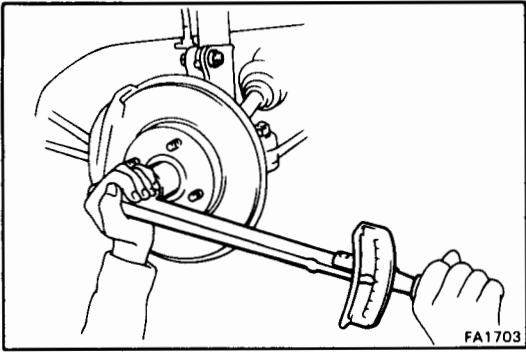


**5. INSTALL BRAKE CALIPER**

**Torque: 600 kg-cm (43 ft-lb, 59 N·m)**

**6. CONNECT PARKING BRAKE CABLE**





**7. INSTALL PLATE WASHER, BEARING LOCK NUT, BEARING LOCK NUT CAP AND NEW COTTER PIN**

- (a) Install the plate washer and lock nut.
- (b) With the parking brake engaged, and tighten the nut.

**Torque: 1,900 kg-cm (137 ft-lb, 186 N·m)**

- (c) Install the lock nut cap and a new cotter pin.

**8. INSPECT REAR WHEEL ALIGNMENT  
(See page RA-3)**

**REPLACEMENT OF REAR AXLE HUB BOLT**

(See page RA-6)

**1. DISCONNECT PARKING BRAKE CABLE****2. REMOVE BRAKE CALIPER**

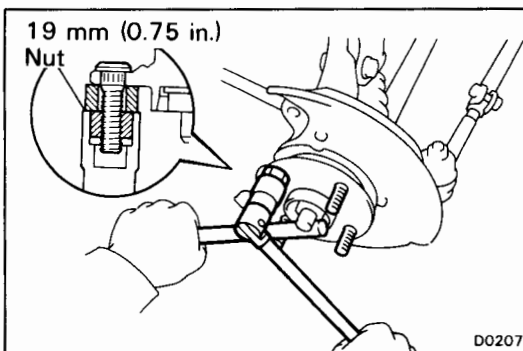
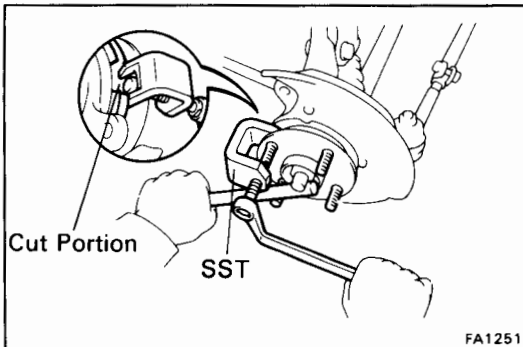
Remove the brake caliper from the axle carrier and suspend it with wire.

**3. REMOVE ROTOR DISC****4. REMOVE REAR AXLE HUB BOLT**

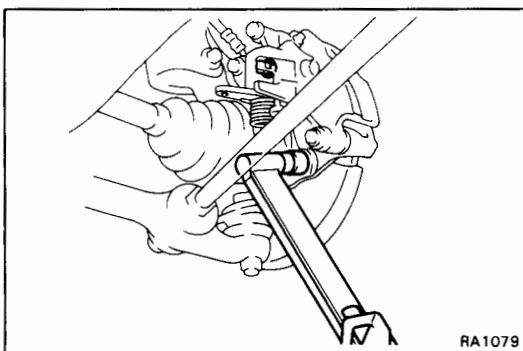
(a) Align the brake dust cover cut portion and axle hub bolt.

(b) Using SST, remove the axle hub bolt.

SST 09650-17010

**5. INSTALL REAR AXLE HUB BOLT**

Hold the rear axle hub, and install a new hub bolt.

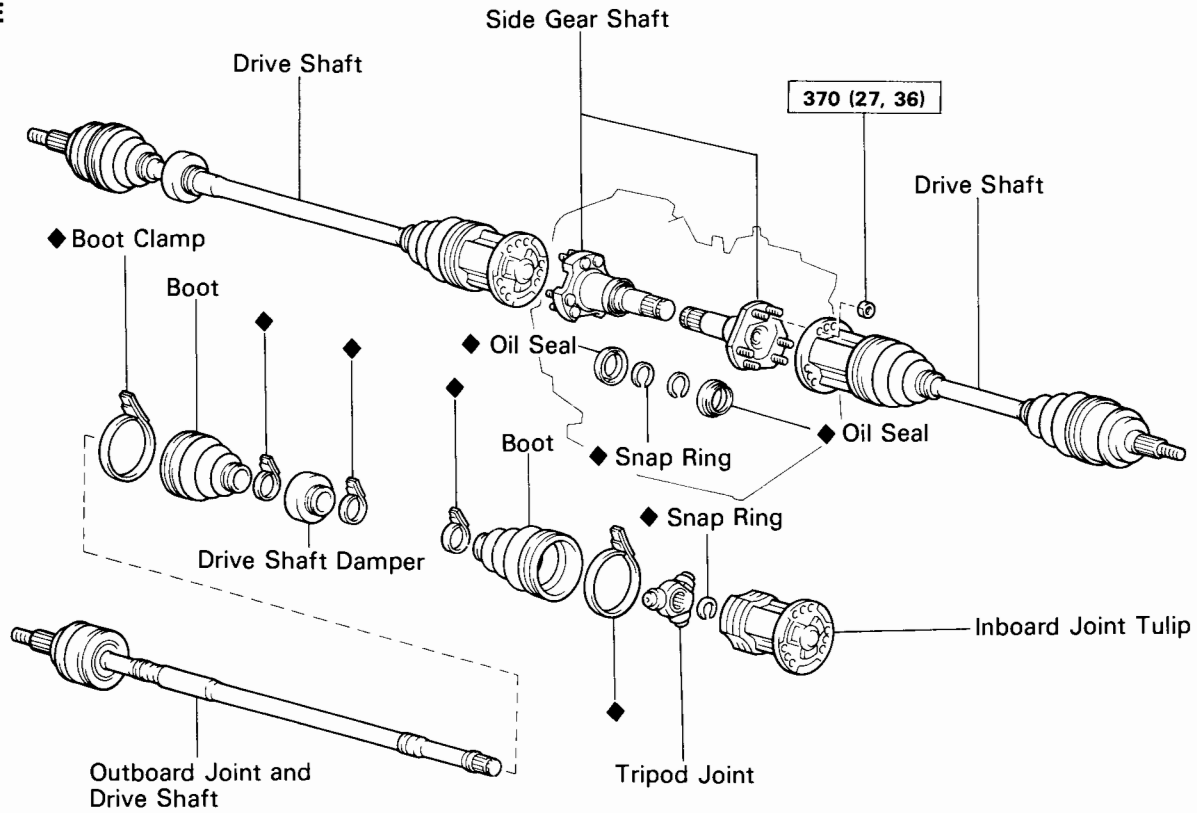
**6. INSTALL ROTOR DISC****7. INSTALL DISC BRAKE CALIPER TO REAR AXLE CARRIER**

Torque: 600 kg-cm (43 ft-lb, 59 N·m)

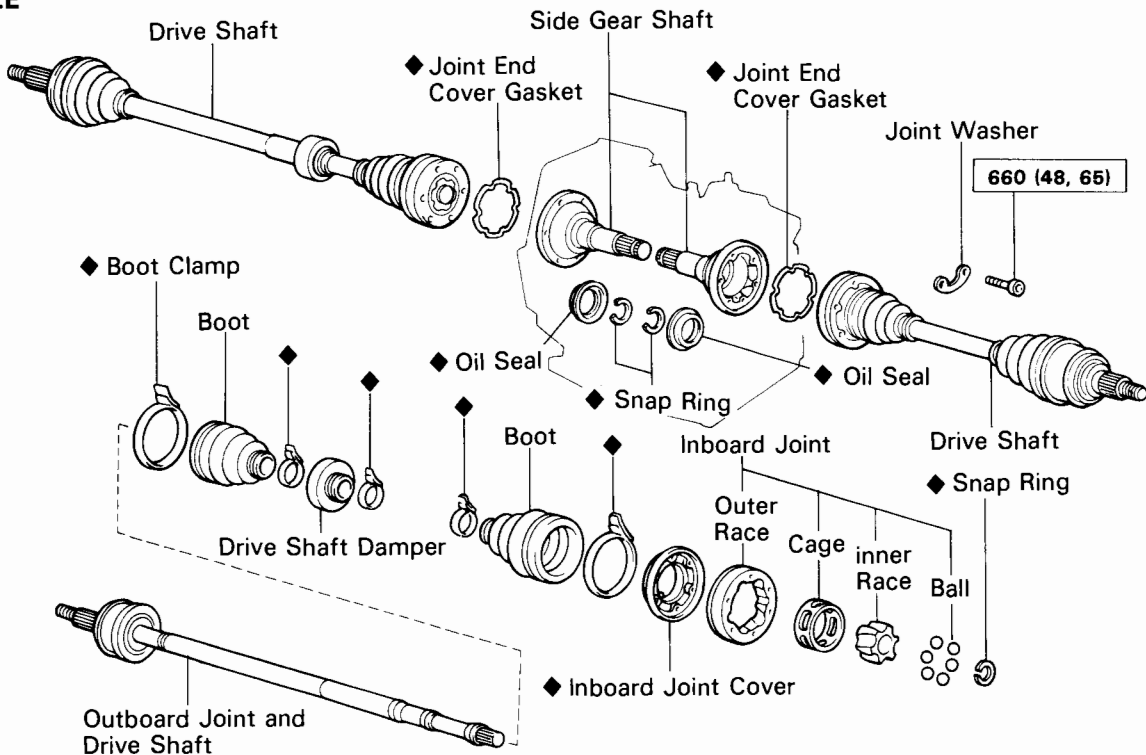
**8. CONNECT PARKING BRAKE CABLE**

# REAR DRIVE SHAFT COMPONENTS

## 4A-GE



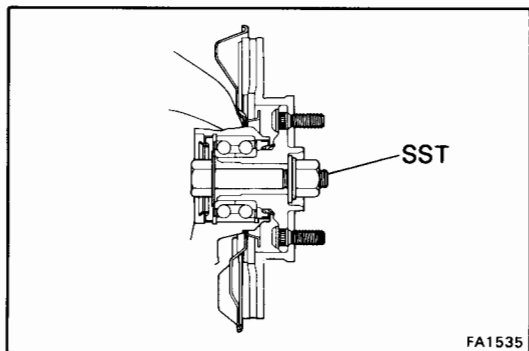
## 4A-GZE



kg-cm (ft-lb, N·m) : Specified torque

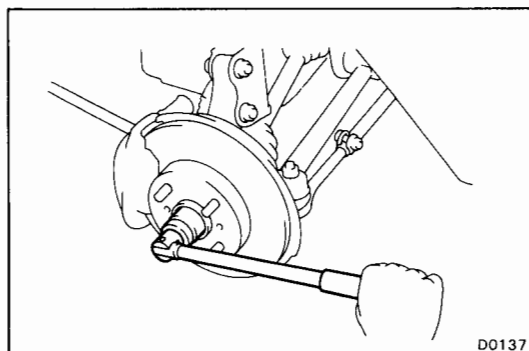
◆ Non-reusable part





**CAUTION:** The hub bearing could be damaged if it is subjected to the vehicle weight, such as when moving the vehicle with the drive shaft removed. Therefore, if it is absolutely necessary to place the vehicle weight on the hub bearing, first support it with SST.

SST 09608-16041 (09608-02020, 09608-02040)

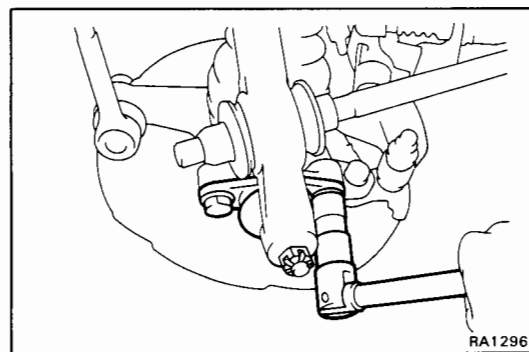


## REMOVAL OF REAR DRIVE SHAFT

(See page RA-14)

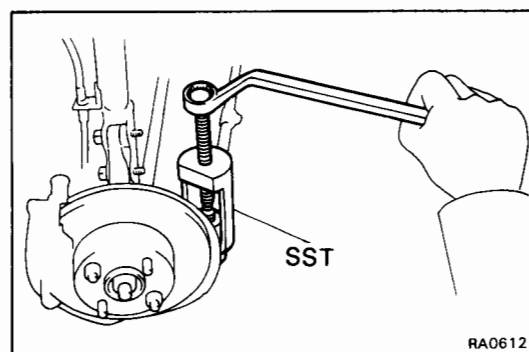
### 1. REMOVE COTTER PIN, BEARING LOCK NUT CAP AND BEARING LOCK NUT

- (a) Remove the cotter pin and lock nut cap.
- (b) Set the parking brake and remove the nut.



### 2. DISCONNECT LOWER ARM FROM REAR AXLE CARRIER

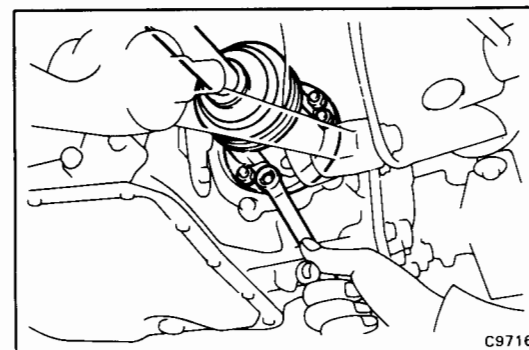
- (a) Remove the two bolts holding the ball joint to the rear axle carrier.
- (b) Disconnect the lower arm.



### 3. DISCONNECT SUSPENSION ARM

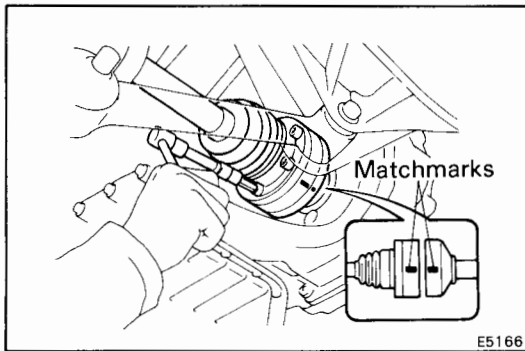
- (a) Remove the cotter pin and nut.
- (b) Using SST, disconnect the suspension arm from the rear axle carrier.

SST 09610-20012



### 4. DISCONNECT REAR DRIVE SHAFT FROM DIFFERENTIAL SIDE GEAR SHAFT (4A-GE)

- (a) Remove the six nuts while depressing the brake pedal.

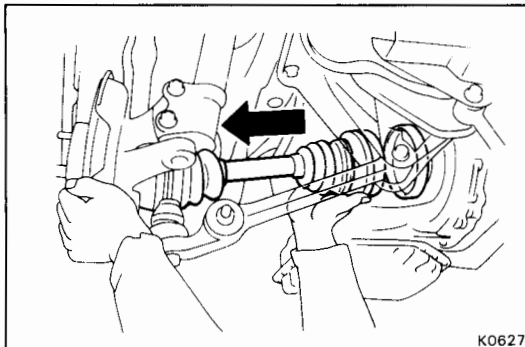
**(4A-GZE)**

- (a) Place matchmarks on the drive shaft and side gear shaft.

**CAUTION: Do not punch the marks.**

- (b) Using SST, remove the six hexagon bolts and the three washers while depressing the brake pedal.

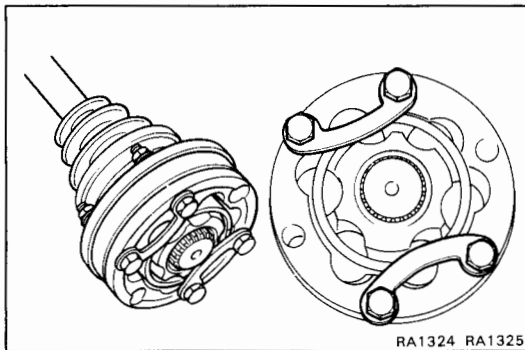
SST 09043-88010



- (c) Push the rear axle carrier towards the outside of the vehicle, and separate the drive shaft from the side gear shaft.

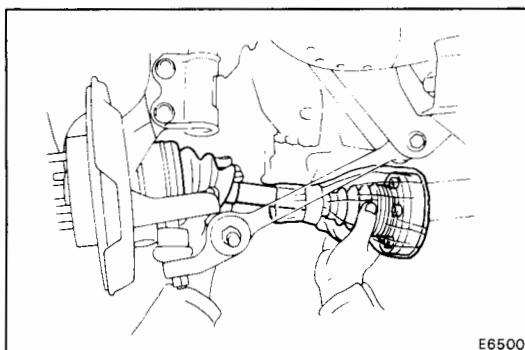
**CAUTION: When moving the drive shaft, do not compress the boot.**

- (d) Remove the joint end cover gasket from the drive shaft.

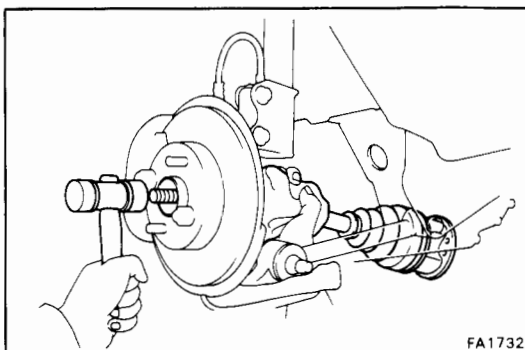


- (e) Use bolts, nuts and washers to keep the inboard joint together.

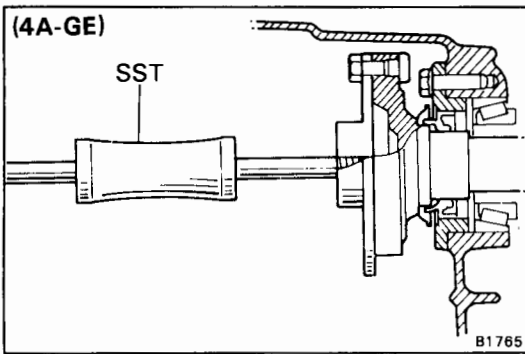
**CAUTION: Tighten the bolts by hand to avoid scratching the flange surface.**



- (f) Cover the inboard joint and side gear shaft vinyl bags to keep out dust and sand.

**5. REMOVE REAR DRIVE SHAFT**

Using a plastic hammer, tap out the drive shaft from the axle hub.



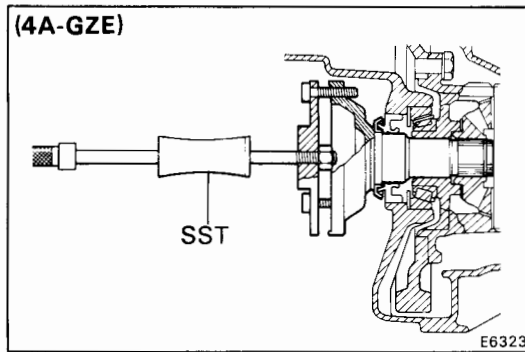
**6. DRAIN OUT GEAR OIL OR FLUID**

**7. REMOVE SIDE GEAR SHAFT FROM TRANSAXLE**

(a) In order to install the side gear shaft, push the side gear shaft to the differential.  
Measure and note the distance between the transaxle case and side gear shaft.

(b) Using SST, drive out the side gear shaft.

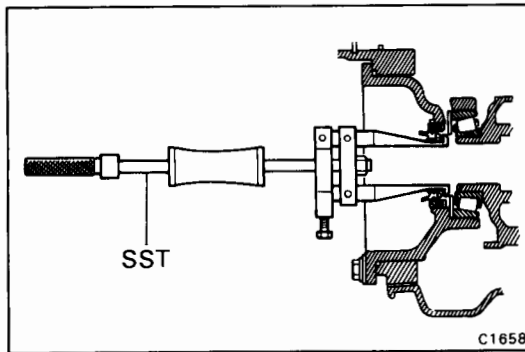
SST 09520-32012



**8. IF NECESSARY, REPLACE SIDE GEAR SHAFT OIL SEAL**

(a) Using SST, drive out the oil seal.

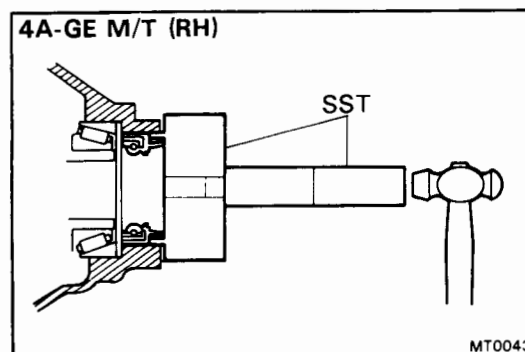
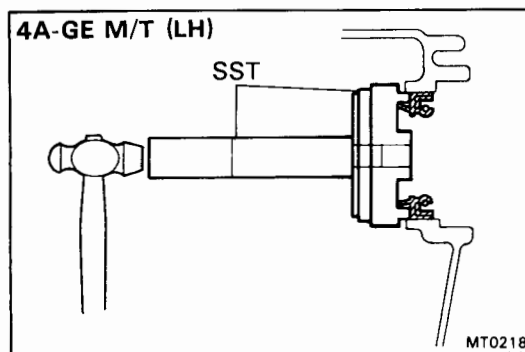
SST 09308-00010



(b) Using SST and a hammer, tap in a new oil seal.

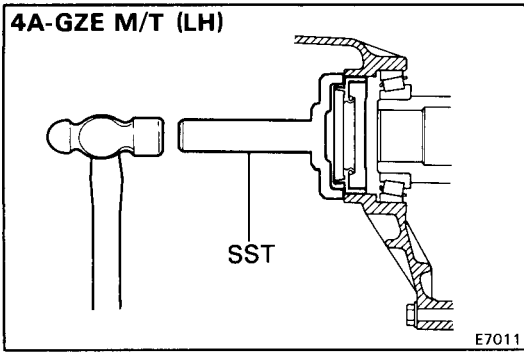
SST 4A-GE M/T (LH)

09350-32013 (09351-32111, 09351-32130)

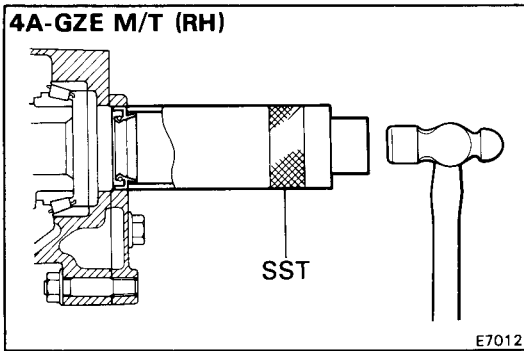


4A-GE M/T (RH)

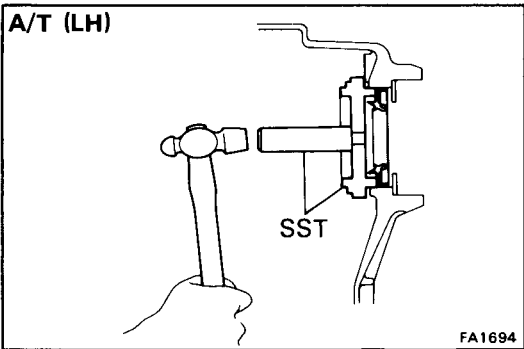
09350-32013 (09351-32130, 09351-32150)



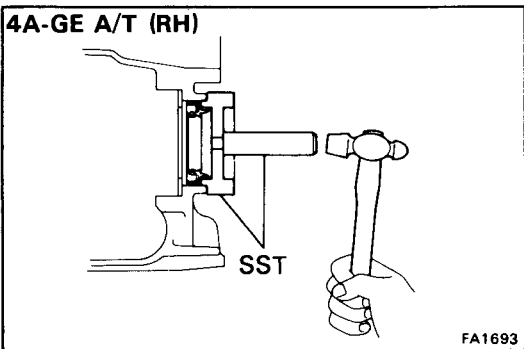
4A-GZE M/T (LH)  
09223-15010



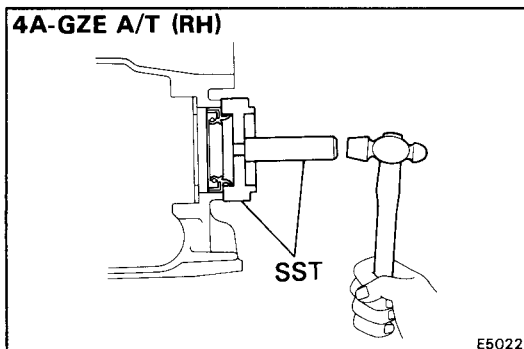
4A-GZE M/T (RH)  
09316-60010 (09316-00010)



A/T (LH)  
09350-32013 (09351-32111) and 09631-12020



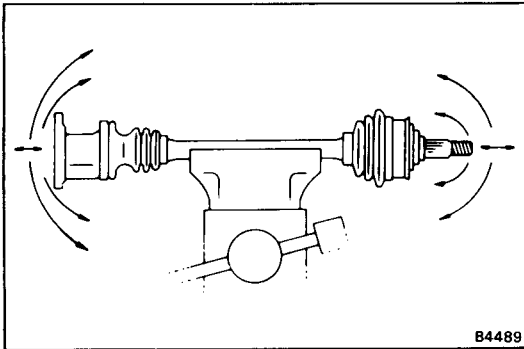
A/T (RH)  
09350-32013 (09351-32150) and 09631-12020



## DISASSEMBLY OF REAR DRIVE SHAFT

(See page RA-14)

### (4A-GE)

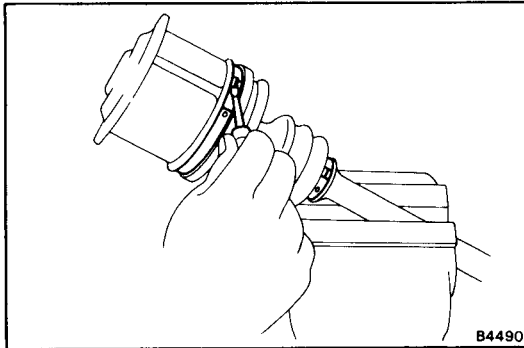


B4489

#### 1. CHECK DRIVE SHAFT

- (a) Check to see that there is no play in the inboard and outboard joint.
- (b) Check to see that the inboard joint slides smoothly in the thrust direction.
- (c) Check to see that there is no play in the radial direction of the inboard joint.
- (d) Check for damage to boot.

#### 2. REMOVE BOOT CLAMPS



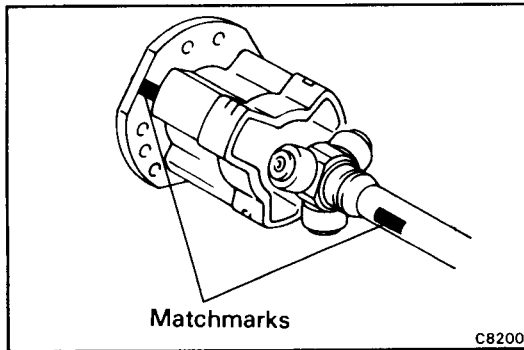
B4490

#### 3. DISASSEMBLE INBOARD JOINT TULIP

- (a) Place matchmarks on the inboard joint tulip and tripod.

**CAUTION: Do not punch the marks.**

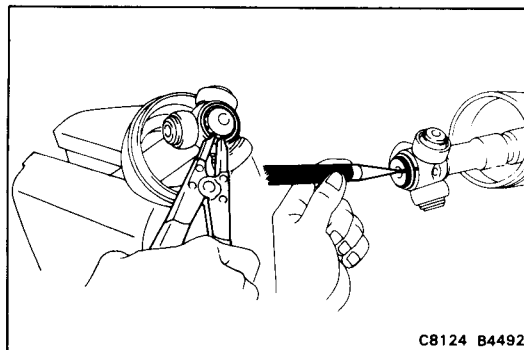
- (b) Remove the inboard joint tulip from the drive shaft.



C8200

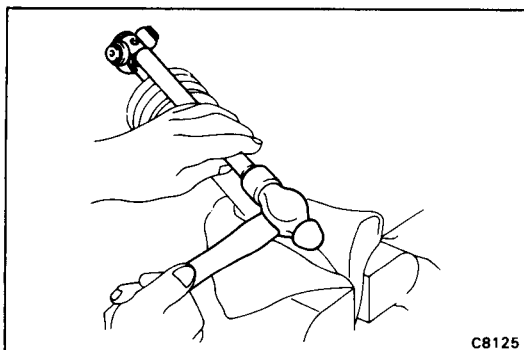
#### 4. DISASSEMBLE TRIPOD JOINT

- (a) Using snap ring pliers, remove the snap ring.
- (b) Using a punch, place matchmarks on the shaft and tripod.

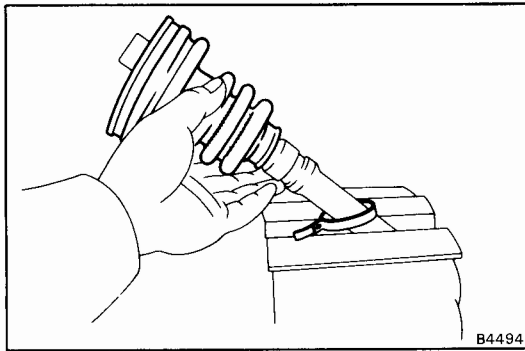


C8124 B4492

- (c) Using a hammer and brass bar, drive out the tripod joint from the drive shaft.



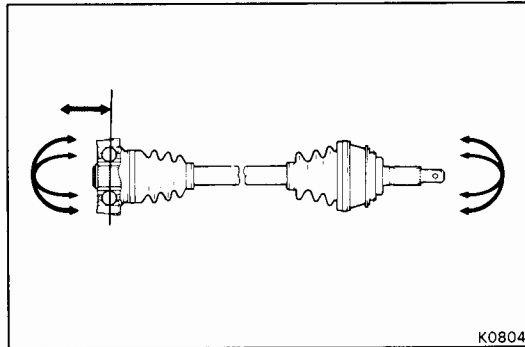
C8125



B4494

## 5. REMOVE BOOTS

- (a) Remove the boot of the inboard joint.
- (b) Remove the drive shaft damper. (RH shaft only)
- (c) Remove the boot of the outboard joint.
- (d) Check the inside and outside of the boots for damage.

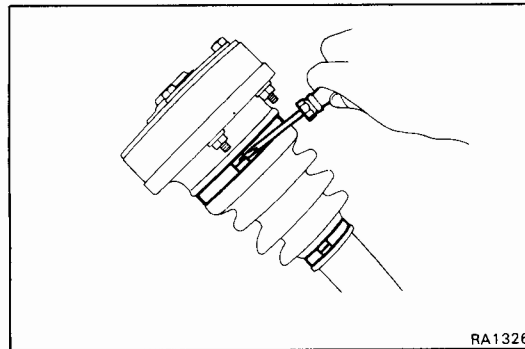


K0804

## (4A-GZE)

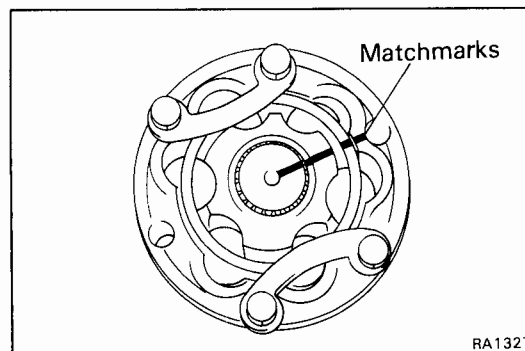
### 1. CHECK DRIVE SHAFT

- (a) Check to see that there is play in the inboard and outboard joint.
- (b) Check to see that the inboard joint slides smoothly in the thrust direction.
- (c) Check to see that there is no play in the radial direction of the inboard joint.
- (d) Check for damage to boot.



RA1326

### 2. REMOVE BOOT CLAMPS

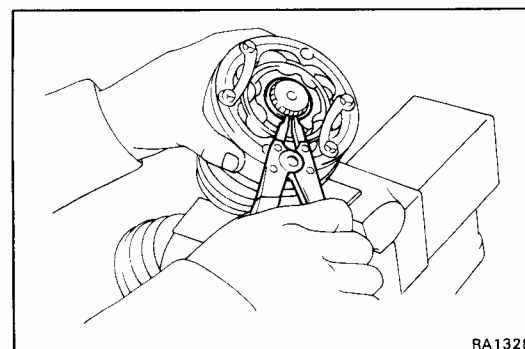


RA1327

### 3. DISASSEMBLE INBOARD JOINT

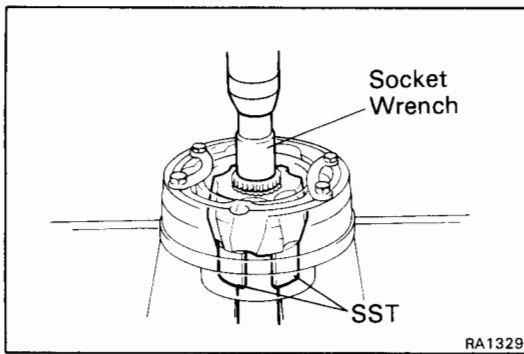
- (a) Place matchmarks on the inboard joint and drive shaft.

**CAUTION:** Do not punch the marks.



RA1328

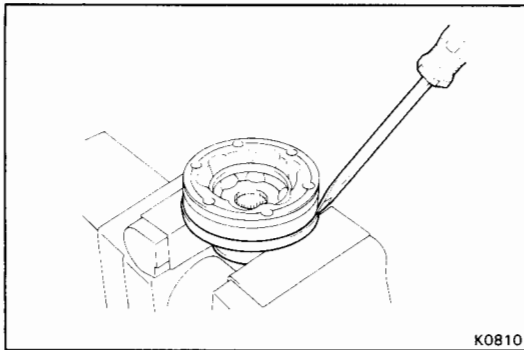
- (b) Using snap ring pliers, remove the snap ring.



(c) Using SST and a press, remove the inboard joint from the drive shaft.

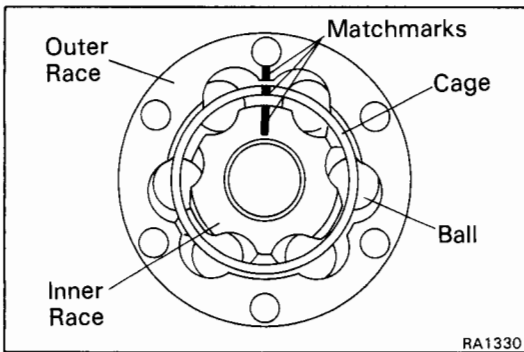
SST 09726-10010 (09726-00030)

(d) Remove the bolts, nuts and washers from the inboard joint.

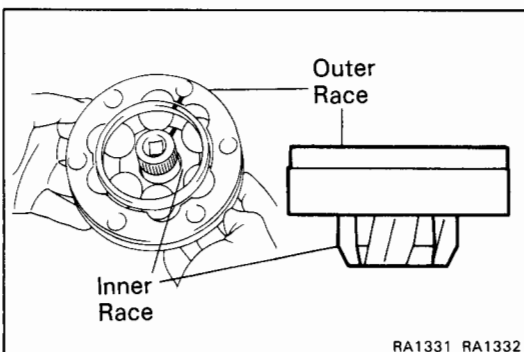


(e) Using a hammer and screwdriver, remove the inboard joint from inboard joint cover.

**CAUTION:** When lifting the inboard joint, hold onto the inner race and outer race.

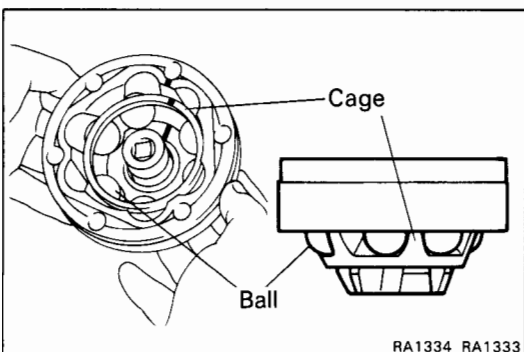


**NOTE:** Should the joint become disassembled, reassemble it in the way shown in the illustration.



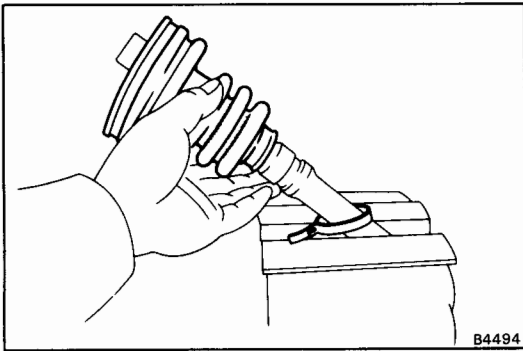
**SERVICE HINT**

- (a) Align the matchmarks placed before disassembly.
- (b) Insert the spark plug wrench into the inner race.
- (c) Lift the outer race and cage, and insert the six balls.



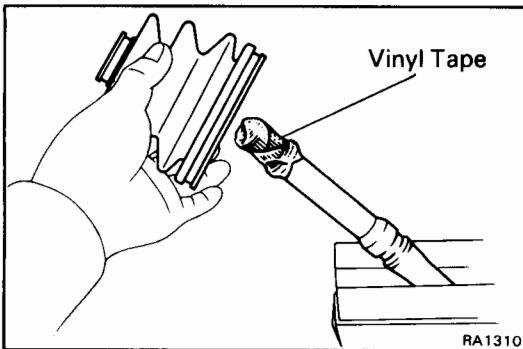
(d) Jiggle the outer race and cage as shown in the illustration to place the balls in their respective grooves.

(e) Lower the outer race and cage so that they fit tightly with the inner race.



#### 4. REMOVE BOOTS

- (a) Remove the boot of the inboard joint.
- (b) Remove the drive shaft damper. (RH shaft only)
- (c) Remove the boot of the outboard joint.
- (d) Check the inside and outside of the boots for damage.



### ASSEMBLY OF REAR DRIVE SHAFT

(See page RA-14)

#### (4A-GE)

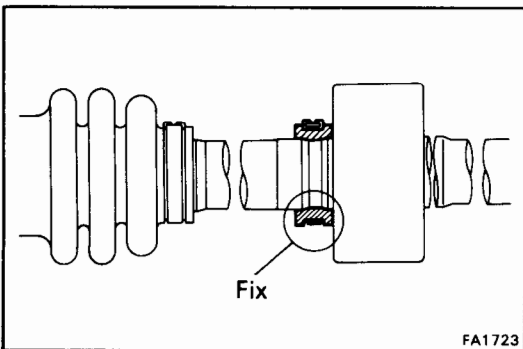
#### 1. TEMPORARILY INSTALL BOOTS AND NEW BOOT CLAMPS

NOTE: Before installing the boot, wrap vinyl tape around the spline of the shaft to prevent damaging the boot.

- (a) Temporarily install the boot and a new clamp to the outboard joint.
- (b) Install the drive shaft damper and a new clamp. (RH shaft only)

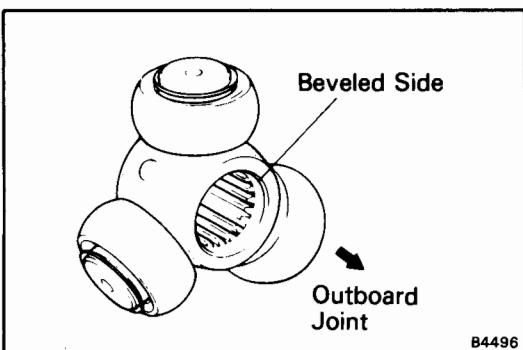
NOTE: As shown in the illustration, fix the clamp position in line with the groove of the drive shaft.

- (c) Temporarily install the boot and a new clamp (for inboard joint) to the drive shaft.

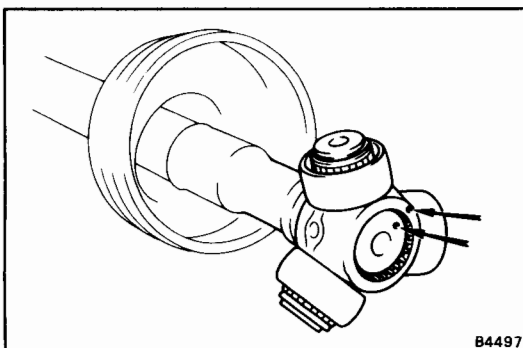


#### 2. ASSEMBLE TRIPOD JOINT

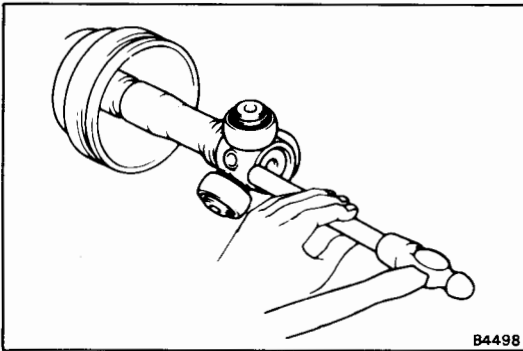
- (a) Face the beveled side of the tripod axial spline toward the outboard joint.



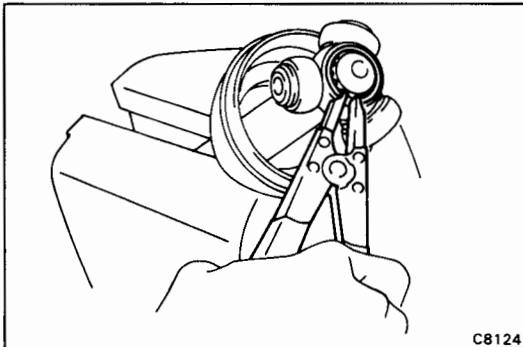
- (b) Align the matchmarks placed before disassembly.





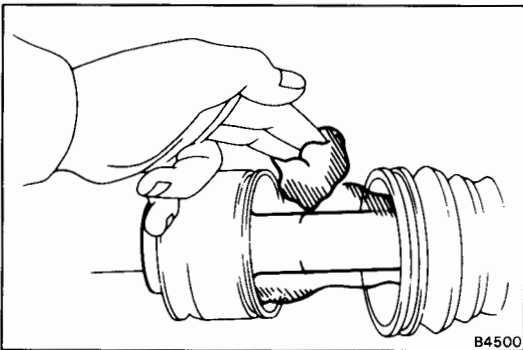


- (c) Using a brass bar and hammer, tap the tripod onto the drive shaft.



**3. INSTALL NEW SNAP RING**

Using snap ring pliers, install a new snap ring.

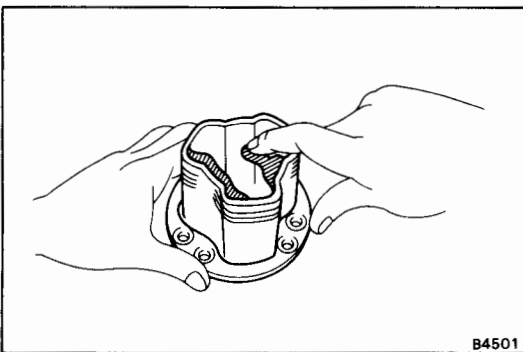


**4. ASSEMBLE BOOT TO OUTBOARD JOINT**

Before assembling the boot, pack in grease.

**Grease capacity: 120 – 130 g (0.26 – 0.29 lb)**

NOTE: Use the grease supplied in the boot kit.



**5. ASSEMBLE INBOARD JOINT TULIP TO DRIVE SHAFT**

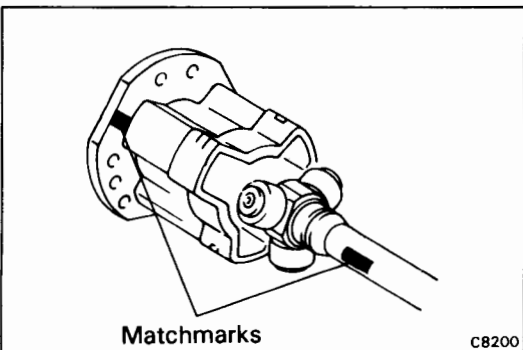
(a) Pack in grease to the tulip and boot.

**Grease capacity:**

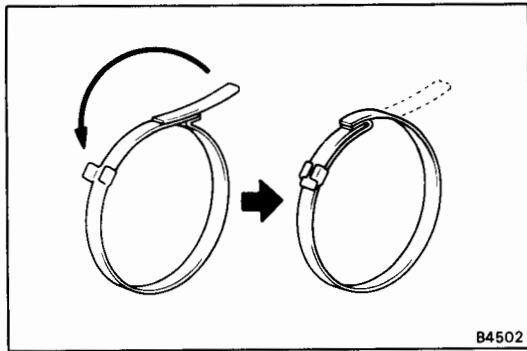
**M/T 212 – 222 g (0.47 – 0.49 lb)**

**A/T 165 – 175 g (0.36 – 0.39 lb)**

NOTE: Use the grease supplied in the boot kit.

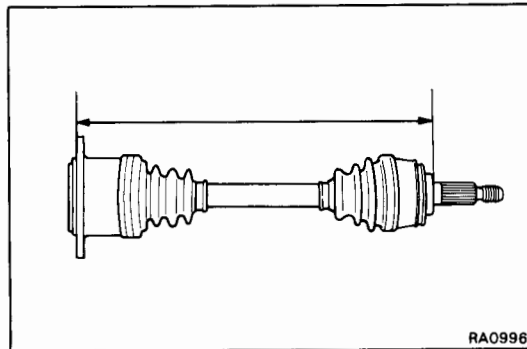


- (b) Align the matchmarks placed before disassembly.  
 (c) Install the inboard joint tulip to the drive shaft.  
 (d) Install the boot to the inboard joint tulip.



**6. ASSEMBLE NEW BOOT CLAMPS TO BOTH BOOTS**

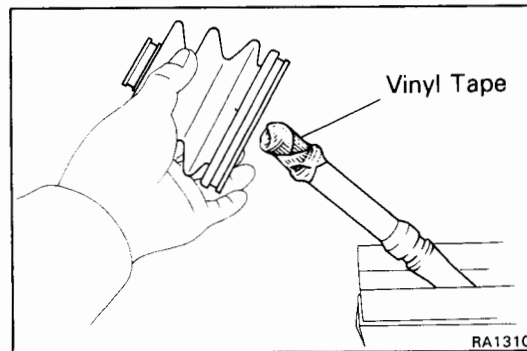
- (a) Be sure the boot is on the shaft groove.
- (b) Bend the band and lock it as shown in the figure.



- (c) Insure that the boot is not stretched or contracted when the drive shaft is at standard length.

**Drive shaft length:**

LH	M/T	434.2 – 444.2 mm (17.09 – 17.49 in.)
	A/T	431.3 – 441.3 mm (16.98 – 17.37 in.)
RH	M/T	679.9 – 689.9 mm (26.77 – 27.16 in.)
	A/T	681.8 – 691.8 mm (26.84 – 27.24 in.)

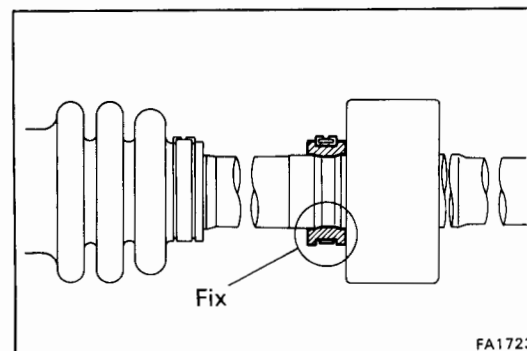


**(4A-GZE)**

**1. TEMPORARILY INSTALL BOOTS AND NEW BOOT CLAMPS**

NOTE: Before installing the boot, wrap vinyl tape around the spline of the shaft to prevent damaging the boot.

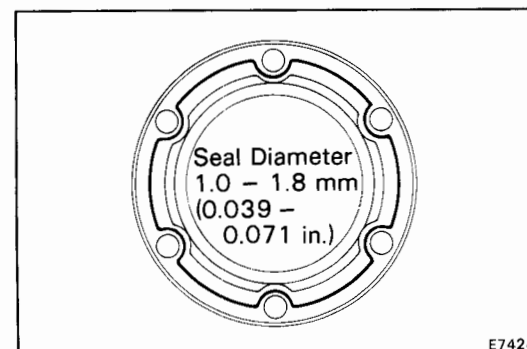
- (a) Temporarily install the boot and a new clamp to the outboard joint.



- (b) Install the drive shaft damper and a new clamp. (RH shaft only)

NOTE: As shown in the illustration, fix the clamp position in line with the groove of the drive shaft.

- (c) Temporarily install the boot and a new clamp (for inboard joint) to the drive shaft.



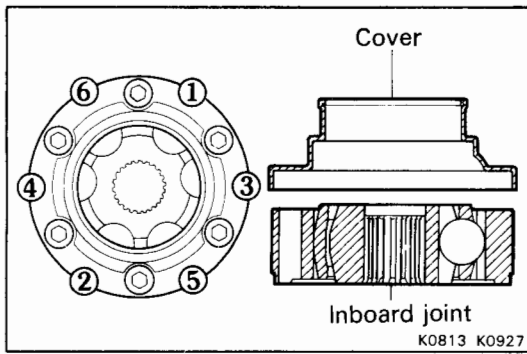
**2. ASSEMBLE NEW INBOARD JOINT COVER**

- (a) Apply seal packing to the inboard joint cover as shown in the figure.

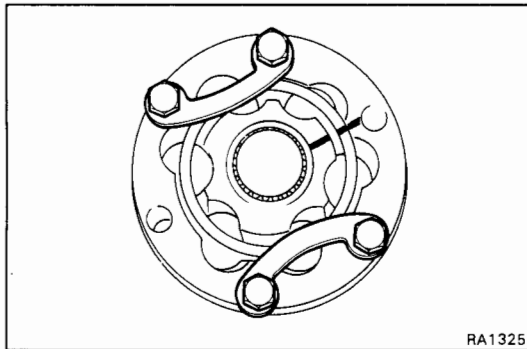
**Sealant: Part No. 08826-00801, THREE BOND 1121 or equivalent**

- Install a nozzle that has been cut to a 1mm (0.04 in.) opening.

NOTE: Avoid applying an excess amount to the surface.

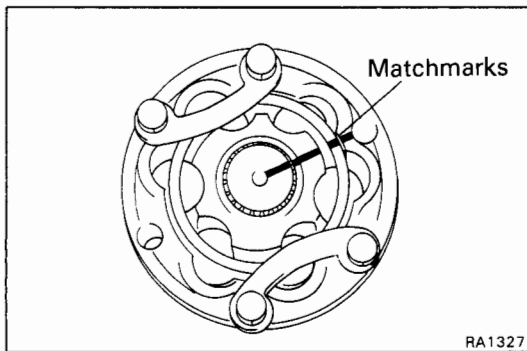


- (b) Align the bolt holes of the cover with those of the inboard joint, then insert the hexagon bolts.
- (c) Using a plastic hammer to tap the rim of the inboard joint cover into place. Do this in the order shown, and repeat several times.



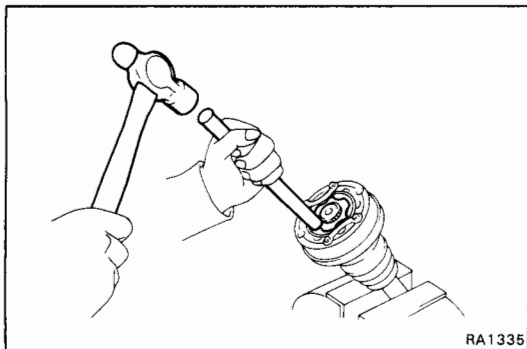
- (d) Use bolts, nut and washers to keep the inboard joint together.

**CAUTION: Tighten the bolts by hand to avoid scratching the flange surface.**



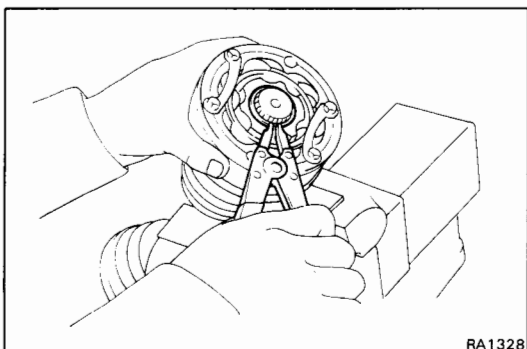
### 3. ASSEMBLE INBOARD JOINT

- (a) Align the matchmarks placed before disassembly.

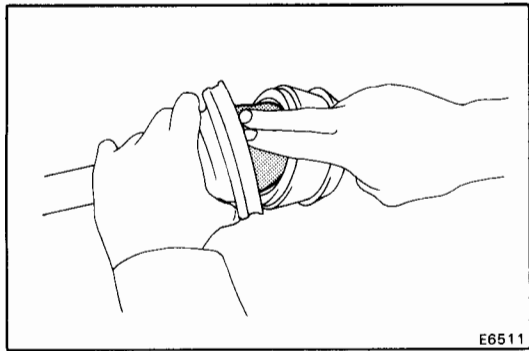


- (b) Using a brass bar and hammer, tap the inboard joint onto the drive shaft.

**CAUTION: Make sure that the brass bar is touching the inner race, and not the cage.**



- (c) Using snap ring pliers, install a new snap ring.

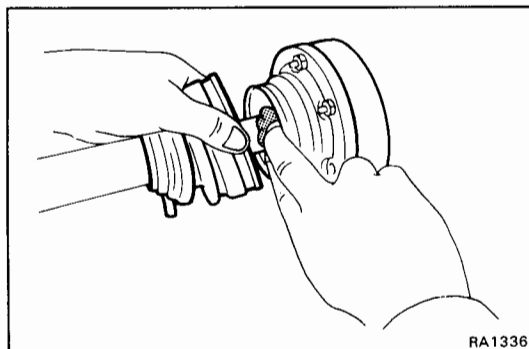


#### 4. ASSEMBLE BOOT TO OUTBOARD JOINT

Before assembling the boot, pack in grease.

**Grease capacity: 120 – 130 g (0.26 – 0.29 lb)**

NOTE: Use the grease supplied in the boot kit.



#### 5. ASSEMBLE BOOT TO INBOARD JOINT

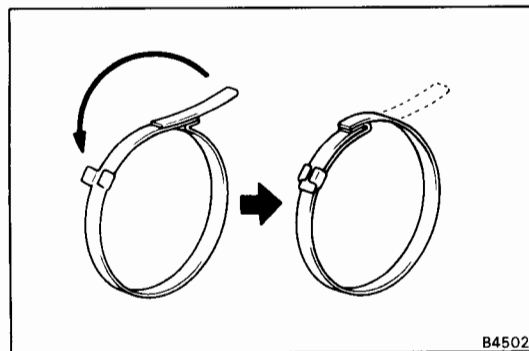
Before assembling the boot, pack in grease.

**Grease capacity: 90 – 100 g (0.20 – 0.22 lb)**

NOTE: Use the grease supplied in the boot kit.

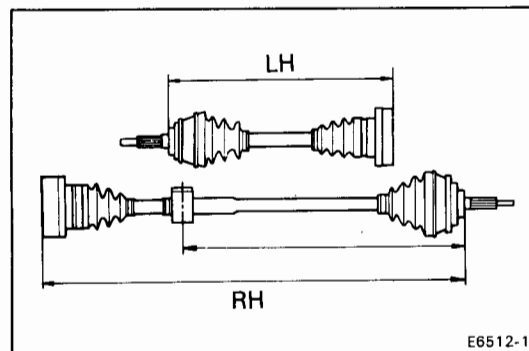
Supply of grease only is also available.

Part No. 90999-94028



#### 6. ASSEMBLE NEW BOOT CLAMPS TO BOTH BOOTS

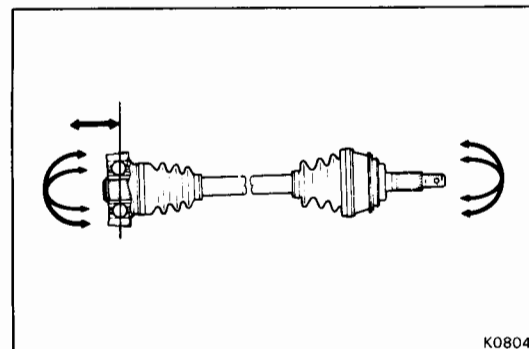
- (a) Be sure the boot is on the shaft groove.
- (b) Bend the band and lock it as shown in the figure.



- (c) Insure that the boot is not stretched or contracted when the drive shaft is at standard length.

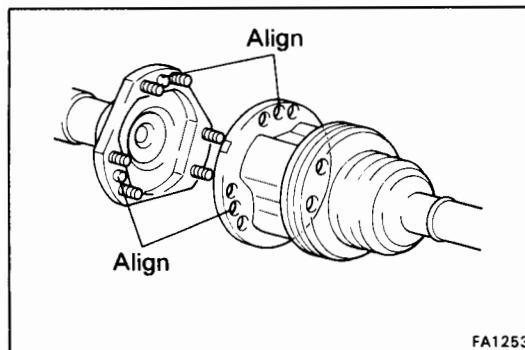
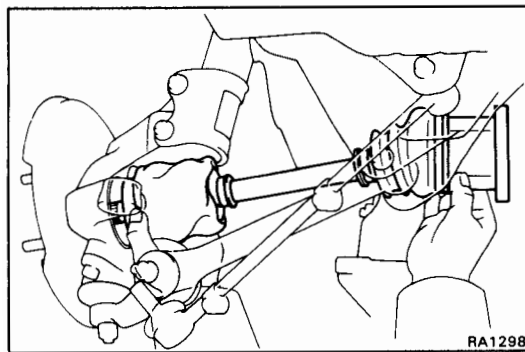
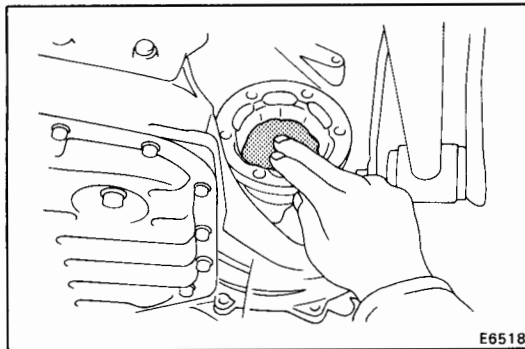
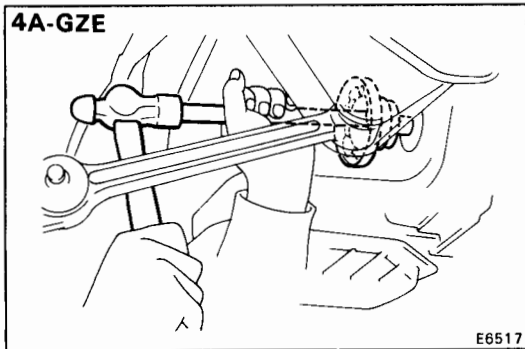
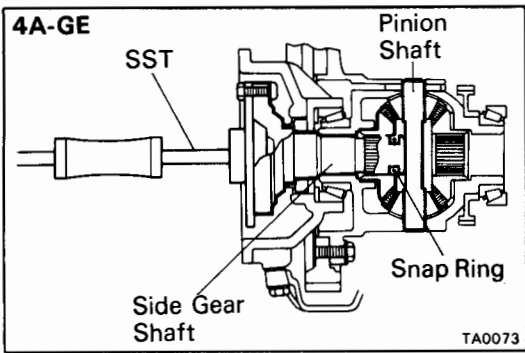
#### Drive shaft length:

LH	M/T	382.2 – 392.2 mm (15.05 – 15.44 in.)
	A/T	410.9 – 420.9 mm (16.18 – 16.57 in.)
RH	M/T	680.6 – 690.6 mm (26.80 – 27.19 in.)
	A/T	699.4 – 709.4 mm (27.54 – 27.93 in.)



#### 7. CHECK DRIVE SHAFT

- (a) Check to see that there is no play in the inboard and outboard joint.
- (b) Check to see that the inboard joint slides smoothly in the thrust direction.
- (c) Check to see that there is no play in the radial direction of the inboard joint.



## INSTALLATION OF REAR DRIVE SHAFT

### 1. INSTALL SIDE GEAR SHAFT

- (a) Insure that a new snap ring is positioned securely in the groove of the side gear shaft.
- (b) (4A-GE)  
Using SST, drive in the side gear shaft until it makes contact with the pinion shaft.

SST 09520-32012

NOTE: Whether or not the side gear shaft making contact with the pinion shaft can be known by the sound or feeling when driving it in.

(4A-GZE)

Using a brass bar and hammer, drive in the side gear shaft until it makes contact with the pinion shaft.

NOTE: Whether or not the side gear shaft making contact with the pinion shaft can be known by the sound or feeling when driving it in.

### 2. CHECK INSTALLATION OF SIDE GEAR SHAFT

- (a) Check that there is 2 – 3 mm (0.08 – 0.12 in.) of play in axial direction.
- (b) Check that the side gear shaft will not come out by trying to pull it completely out by hand.
- (c) Push the side gear shaft to the differential and measure the distance between the side gear shaft and the transaxle case. Check that the distance between the two is the same as the measurement taken before removing the side gear shaft.

### 3. (4A-GZE)

#### PACK IN GREASE TO SIDE GEAR SHAFT

Pack in grease to the side gear shaft.

**Grease capacity: 43 – 53 g (0.09 – 0.12 lb)**

NOTE: Use the grease supplied in the boot kit.

Supply of grease only is also available.

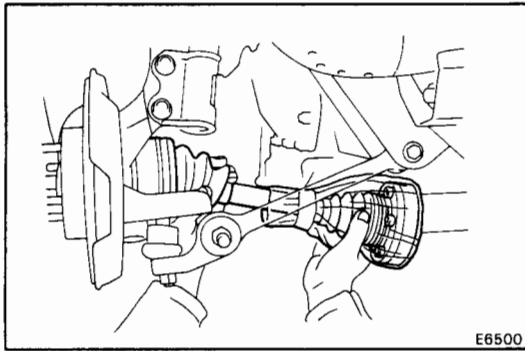
Part No. 90999-94029

### 4. INSTALL REAR DRIVE SHAFT (4A-GE)

- (a) Install the outboard joint side of the drive shaft to the axle hub.

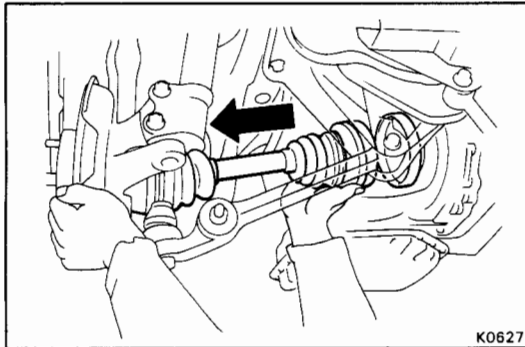
**CAUTION: Be careful not to damage the boot and oil seal.**

- (b) Align the knock pins of the side gear with the knock pin holes of the drive shaft.
- (c) Finger tighten the six nuts holding the drive shaft to the side gear shaft.

**(4A-GZE)**

- (a) Install the outboard joint side of the drive shaft to the axle hub.

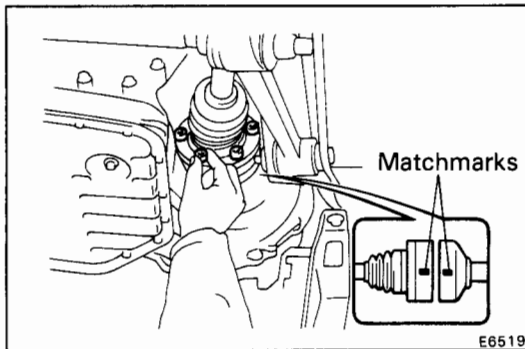
**CAUTION:** Be careful not to damage the boot and oil seal.



- (b) Push the rear axle carrier towards the outside vehicle and lift up the inboard joint.

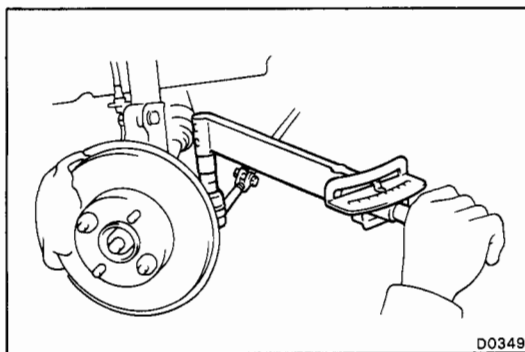
**CAUTION:** When moving the drive shaft do not compress the boot.

- (c) Remove the vinyl bag, boots, nuts and washers from the inboard joint.  
 (d) Place the new gasket on the inboard joint.



- (e) Align the matchmarks on the side gear shaft and inboard joint.

- (f) Finger tighten the six hexagon bolts and the three washers holding the drive shaft to the side gear shaft.

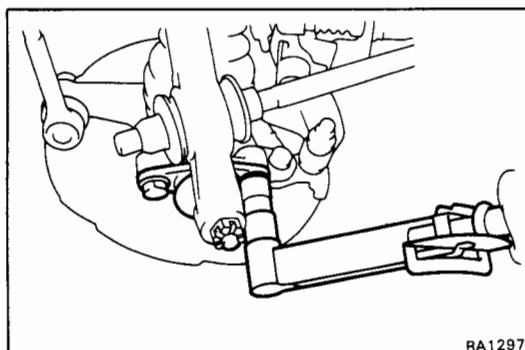
**5. CONNECT SUSPENSION ARM**

- (a) Connect the suspension arm to the rear axle carrier with the nut.

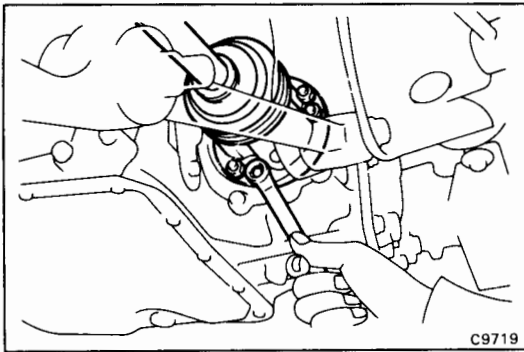
**Torque:** 500 kg-cm (36 ft-lb, 49 N·m)

- (b) Install a new cotter pin.

**NOTE:** If the cotter pin hole does not line up, correct by tightening the nut by the smallest amount possible.

**6. CONNECT LOWER ARM TO REAR AXLE CARRIER**

**Torque:** 1,150 kg-cm (83 ft-lb, 113 N·m)

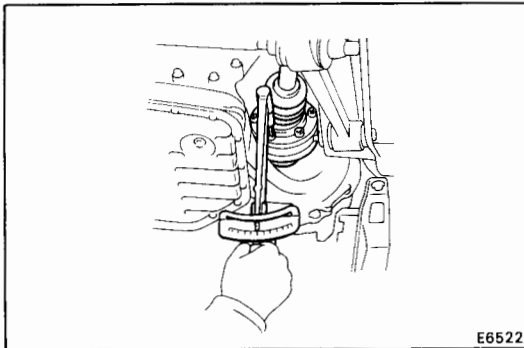


**7-1. (4A-GE)**

**TIGHTEN INBOARD JOINT HOLDING SIX NUTS**

Torque the six nuts while depressing the brake pedal.

**Torque: 370 kg-cm (27 ft-lb, 36 N·m)**



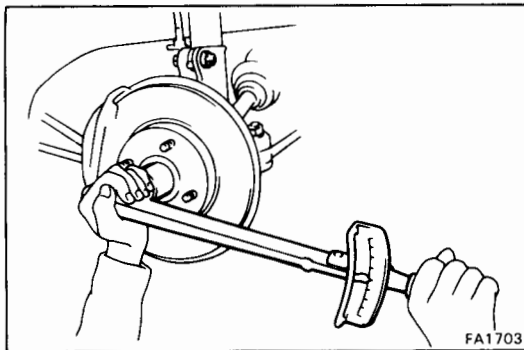
**7-2. (4A-GZE)**

**TIGHTEN INBOARD JOINT HOLDING SIX HEXAGON BOLTS**

Using SST, torque the six hexagon bolts while depressing the brake pedal.

SST 09043-88010

**Torque: 660 kg-cm (48 ft-lb, 65 N·m)**



**8. INSTALL BEARING LOCK NUT, LOCK NUT CAP AND NEW COTTER PIN**

(a) Torque the bearing lock nut while depressing the brake pedal.

**Torque: 1,900 kg-cm (137 ft-lb, 186 N·m)**

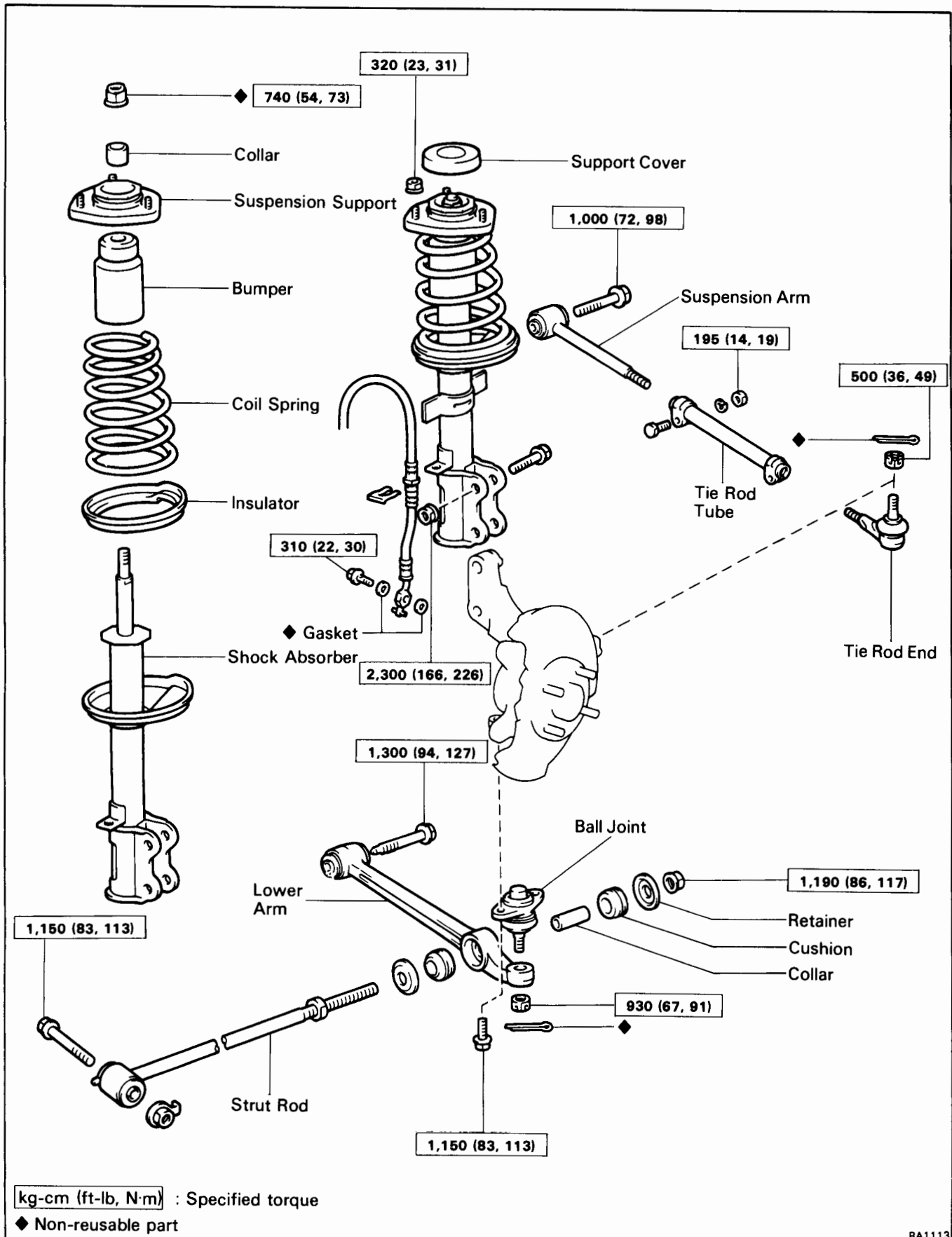
(b) Install the lock nut cap and, using pliers, install a new cotter pin.

**9. FILL TRANSAXLE WITH GEAR OIL OR FLUID**

**10. INSPECT REAR WHEEL ALIGNMENT**

(See page RA-3)

# REAR SUSPENSION COMPONENTS





## Rear Shock Absorber

(See page RA-23)

### REMOVAL OF REAR SHOCK ABSORBER

#### 1. DISCONNECT BRAKE HOSE

- (a) Remove the union bolt and two gaskets and disconnect the brake hose.
- (b) Drain the brake fluid into a container.
- (c) Remove the clip, and brake hose from the shock absorber.

#### 2. DISCONNECT REAR AXLE CARRIER

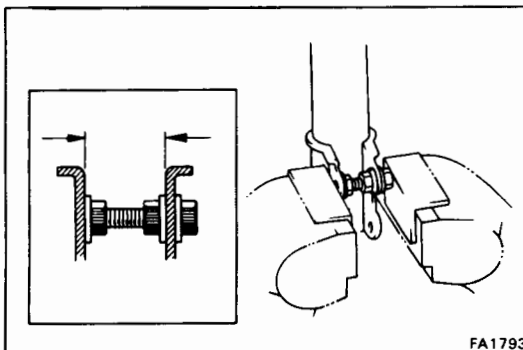
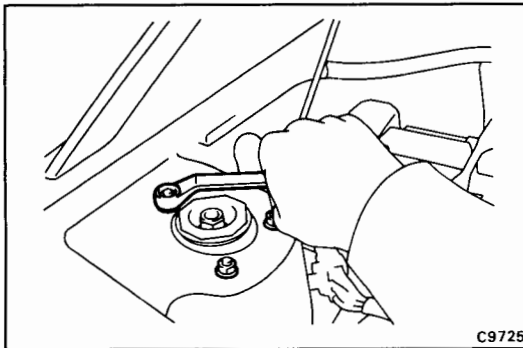
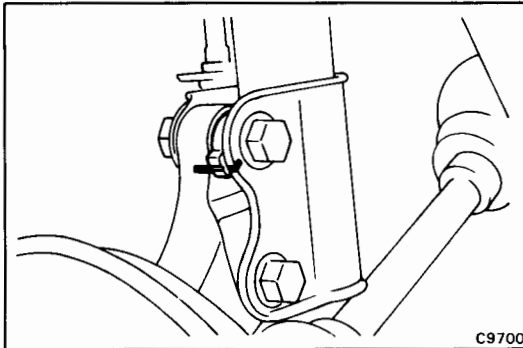
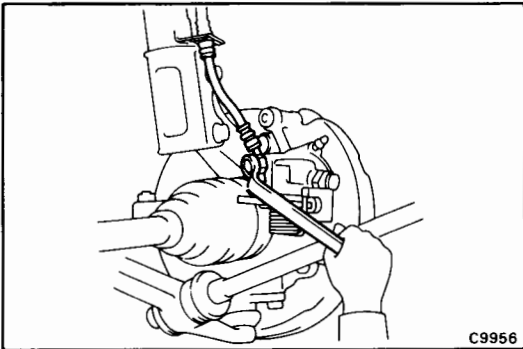
- (a) Place the matchmarks on the shock absorber lower bracket and camber adjust cam.
- (b) Remove the two axle carrier set nuts and bolts with camber adjusting cam.

#### 3. REMOVE ENGINE HOOD SIDE PANEL

#### 4. REMOVE SHOCK ABSORBER

- (a) Remove the three suspension holding nuts.
- (b) Remove the shock absorber.

**CAUTION:** Cover the drive shaft boot with cloth to avoid damaging it.



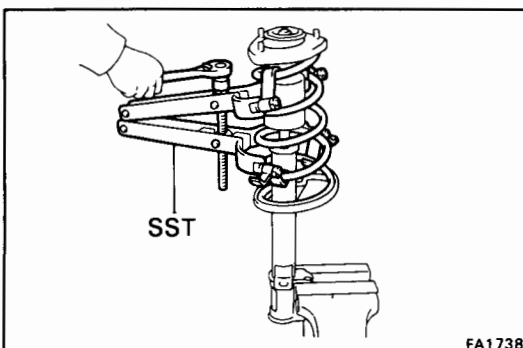
### DISASSEMBLY OF REAR SHOCK ABSORBER

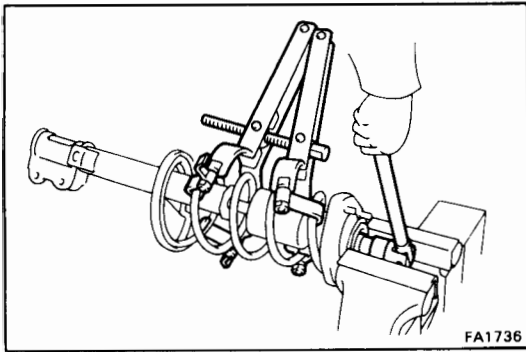
#### 1. CLAMP SHOCK ABSORBER IN VISE

Install a bolt and two nuts to the bracket at the lower portion of the shock absorber shell and secure it in a vise.

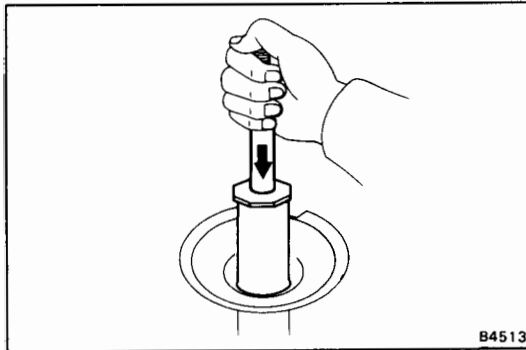
#### 2. REMOVE COIL SPRING

- (a) Using SST, compress the coil spring.  
SST 09727-22032





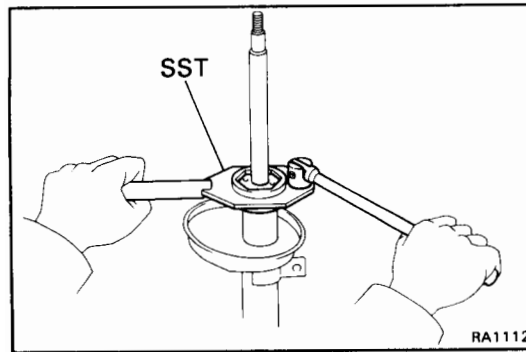
- (b) Hold the octagon head of the suspension support in the vise.
- (c) Remove the suspension support cover.
- (d) Remove the suspension support nut.
- (e) Remove the suspension support, coil spring, insulator and bumper.



### 3. INSPECT OPERATION OF SHOCK ABSORBER

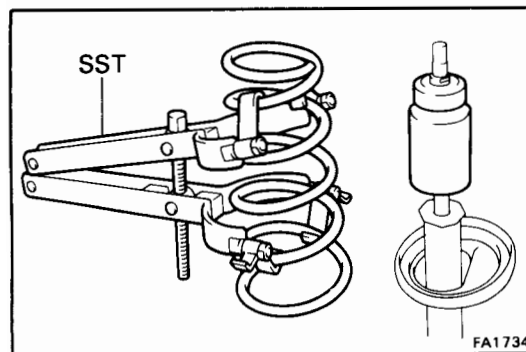
- (a) While pushing the piston rod, check that the pull throughout the stroke is even, and that there is no abnormal resistance or noise.
- (b) Push the piston rod in fully and release it. Check that it returns at a constant speed.

If the absorber operation is defective, replace the absorber, as an assembly.



**CAUTION:** Before discarding the shock absorber, first loosen the ring nut 2 or 3 turns with SST to completely release the gas.

SST 09720-00011 (09721-00071)



### ASSEMBLY OF REAR SHOCK ABSORBER

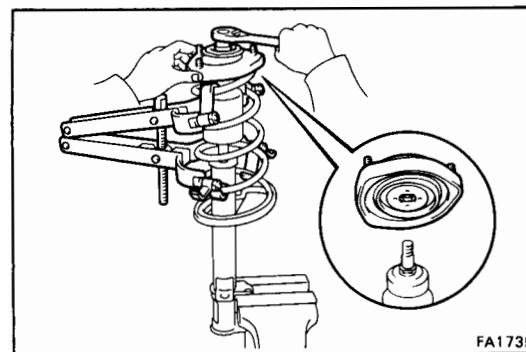
(See page RA-23)

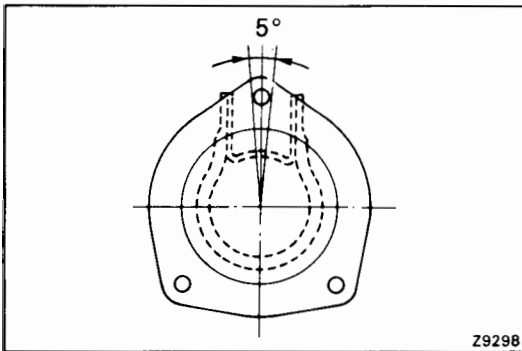
#### INSTALL COIL SPRING

- (a) Install the bumper to piston rod.
- (b) Using SST, compress the coil spring.
- (c) Install the lower insulator.
- (d) Align the coil spring end with the lower seat hollow and install.
- (e) Install the suspension support to piston rod.

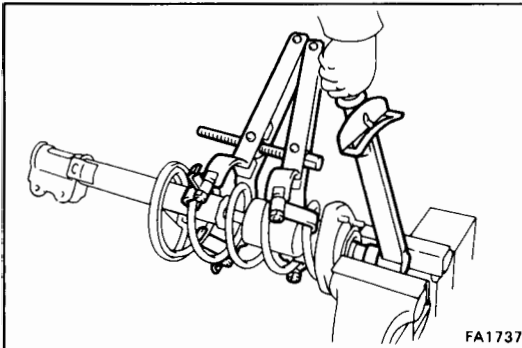
**NOTE:** Align the piston rod notch and the suspension support hole.

- (f) Temporarily install a new suspension support nut.





- (g) Align the suspension support with the shock absorber's lower bracket as shown.

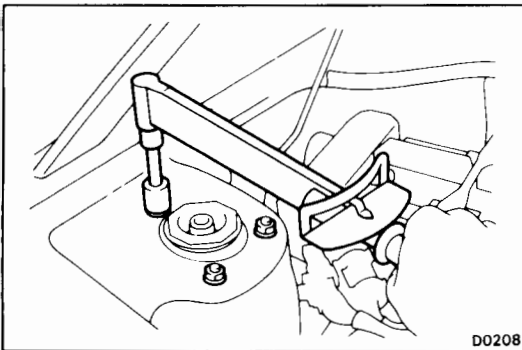


- (h) Hold the octagon head of suspension support in the vise.

- (i) Torque the suspension support nut.

**Torque: 740 kg-cm (54 ft-lb, 73 N·m)**

- (j) Install the suspension support cover.



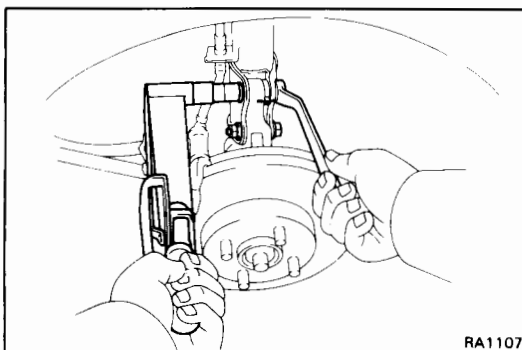
## INSTALLATION OF REAR SHOCK ABSORBER

### 1. INSTALL SHOCK ABSORBER

Install the three nuts holding the shock absorber to the body. Torque the nuts.

**Torque: 320 kg-cm (23 ft-lb, 31 N·m)**

**CAUTION: Be careful not to damage the drive shaft boot.**



### 2. INSTALL ENGINE HOOD SIDE PANEL

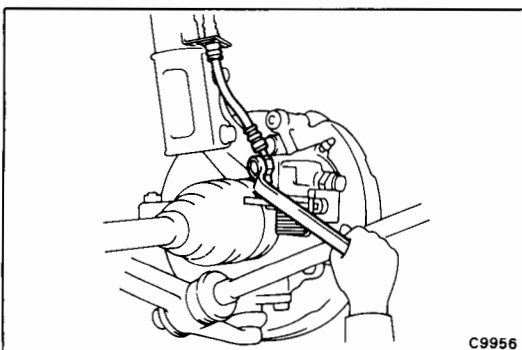
### 3. INSTALL REAR AXLE CARRIER TO SHOCK ABSORBER

- (a) Connect the axle carrier to the shock absorber's lower bracket.

- (b) Insert the bolts from the rear side and align the matchmarks of the camber adjusting cam.

- (c) Torque the nuts.

**Torque: 2,300 kg-cm (166 ft-lb, 226 N·m)**

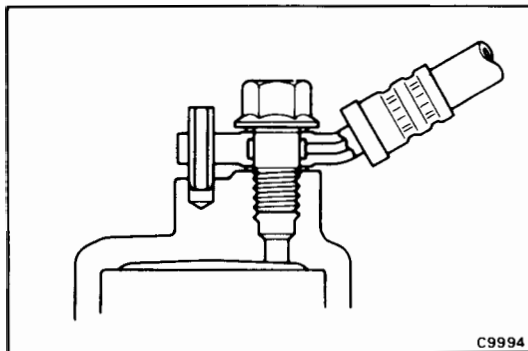


### 4. CONNECT BRAKE HOSE

- (a) Install the brake hose and clip to the shock absorber.

- (b) Install the union bolt and new gaskets and torque the union bolt.

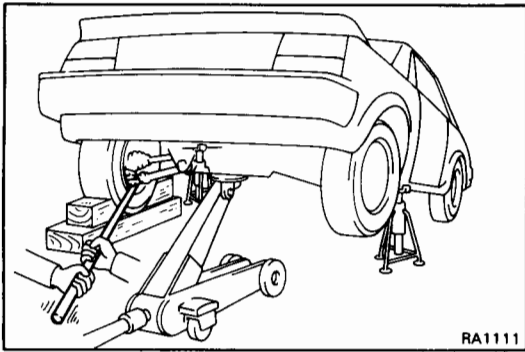
**Torque: 310 kg-cm (22 ft-lb, 30 N·m)**



- (c) Check whether the brake hose fastener is actually fastened to the brake cylinder.

**5. BLEED BRAKE LINE (See page BR-6)**

**6. INSPECT REAR WHEEL ALIGNMENT  
(See page RA-3)**



## Ball Joint

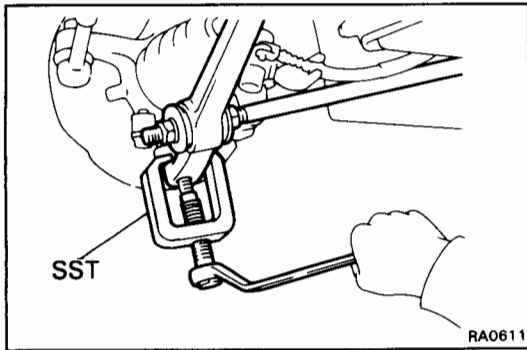
(See page RA-23)

### INSPECTION AND REMOVAL OF BALL JOINT

#### 1. INSPECT BALL JOINT FOR EXCESSIVE LOOSENESS

- (a) Jack up the rear of the vehicle and place wooden blocks with a height of 180 – 200 mm (7.09 – 7.87 in.) under one rear tire.
- (b) Lower the jack until there is about half a load on the front coil spring. Place stands under the vehicle for safety.
- (c) Move the lower arm up and down and check that the ball joint has no play.

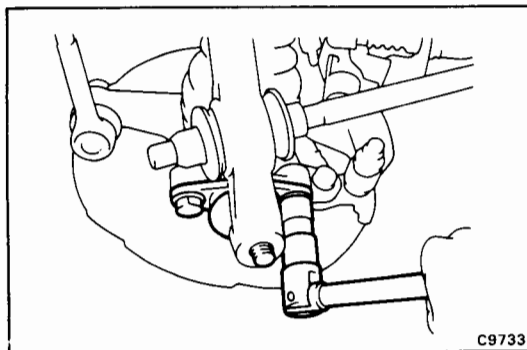
**Ball joint vertical play: 0 mm (0 in.)**



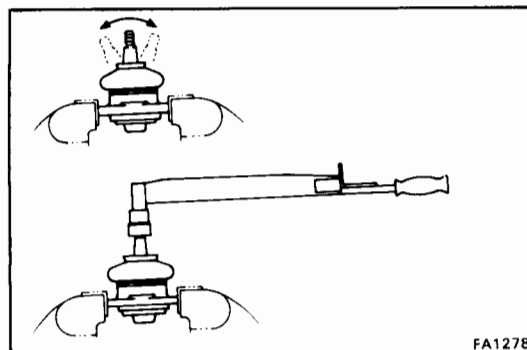
#### 2. REMOVE BALL JOINT

- (a) Remove the cotter pin and nut from the lower arm.
- (b) Using SST, disconnect the ball joint from the lower arm.

SST 09610-55012



- (c) Remove the two bolts holding the rear axle carrier to the ball joint.
- (d) Lower the lower arm and remove the ball joint.

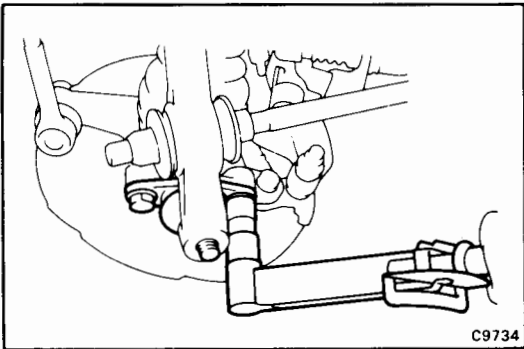


#### 3. INSPECT BALL JOINT FOR ROTATION CONDITION

- (a) Flip the ball joint stud back and forth 5 times as shown in the figure, before installing the nut.
- (b) Using a torque gauge, turn the nut continuously one turn every 2-4 seconds and take the torque reading on the fifth turn.

**Torque (turning): 10 – 30 kg-cm  
(9 – 26 in.-lb, 1.0 – 2.9 N·m)**

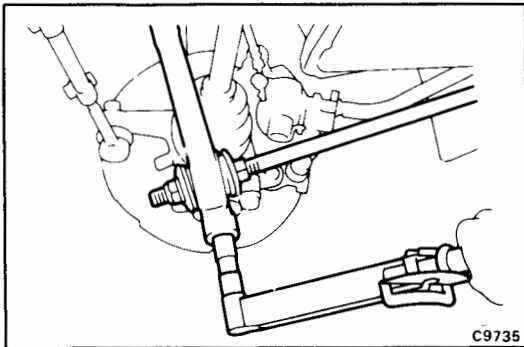
If not within specification, replace the ball joint.



## INSTALLATION OF BALL JOINT

### 1. INSTALL BALL JOINT TO REAR AXLE CARRIER

Torque: 1,150 kg-cm (83 ft-lb, 113 N·m)



### 2. CONNECT LOWER ARM

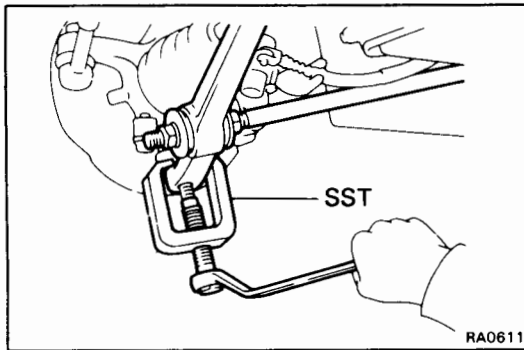
(a) Connect the lower arm to the ball joint with the nut.

(b) Torque the nut.

Torque: 930 kg-cm (67 ft-lb, 91 N·m)

(c) Install a new cotter pin.

NOTE: If the cotter pin hole does not line up, correct by tightening the nut by the smallest amount possible.



## Lower Arm

(See page RA-23)

## REMOVAL OF LOWER ARM

### 1. DISCONNECT LOWER ARM FROM BALL JOINT

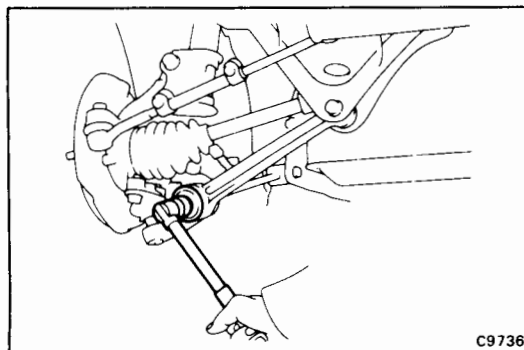
(a) Remove the cotter pin and nut.

(b) Using SST, disconnect the lower arm from the ball joint.

SST 09610-55012

### 2. REMOVE STRUT ROD NUT AND RETAINER

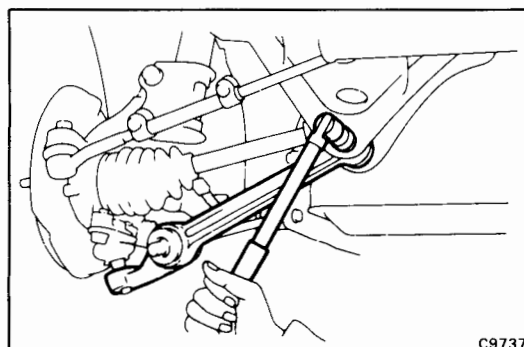
Remove the strut rod nut and retainer from the lower arm.



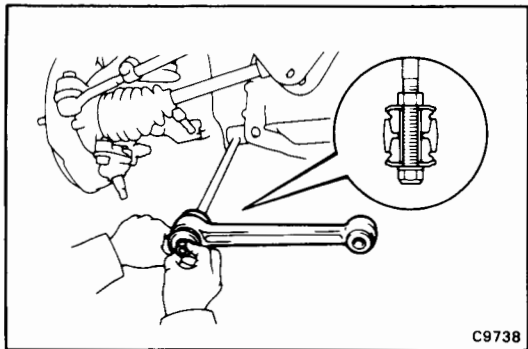
### 3. REMOVE LOWER ARM

(a) Remove the bolt holding the lower arm to the body, and remove the cushion and lower arm from the strut rod.

(b) Remove the cushion, collar and retainer from the strut rod.

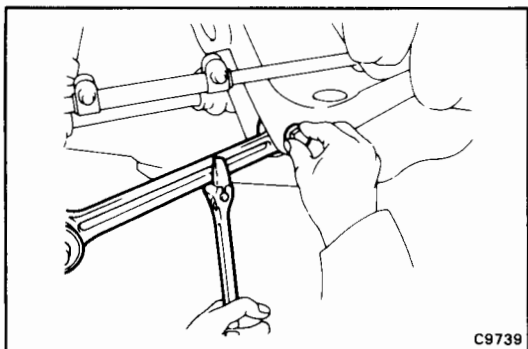


## INSTALLATION OF LOWER ARM

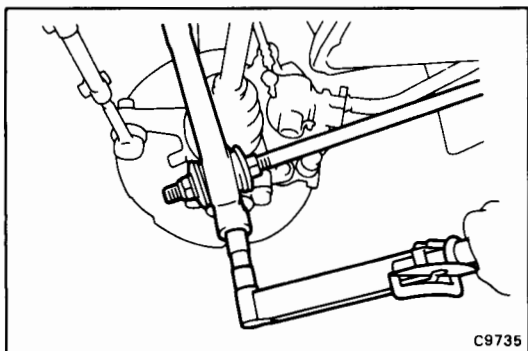


### 1. INSTALL LOWER ARM

- (a) Install the strut rod retainer, cushion and collar.
- (b) Connect the lower arm to the strut rod.
- (c) Temporarily install the strut rod nut with the cushion and retainer.



- (d) Install the lower arm to the body. Do not torque the bolt.



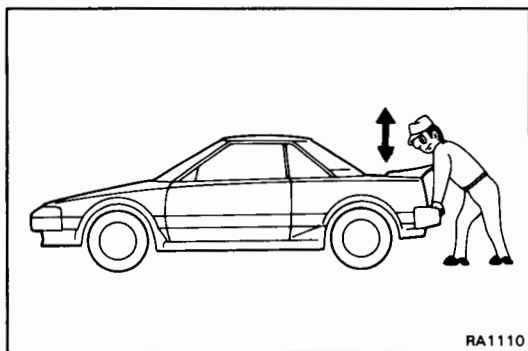
### 2. CONNECT LOWER ARM TO BALL JOINT

- (a) Connect the lower arm to the ball joint with the nut.
- (b) Torque the nut.

**Torque: 930 kg-cm (67 ft-lb, 91 N·m)**

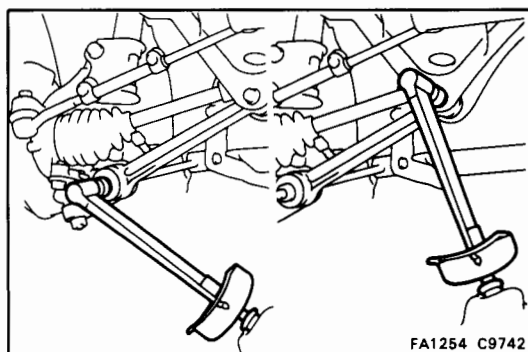
- (c) Install a new cotter pin.

**NOTE:** If the cotter pin hole does not line up, correct by tighten the nut by the smallest amount possible.



### 3. INSTALL WHEEL AND LOWER VEHICLE

Rock the vehicle up and down to stabilize the suspension.



### 4. TORQUE LOWER ARM

- (a) Torque the strut rod nut.

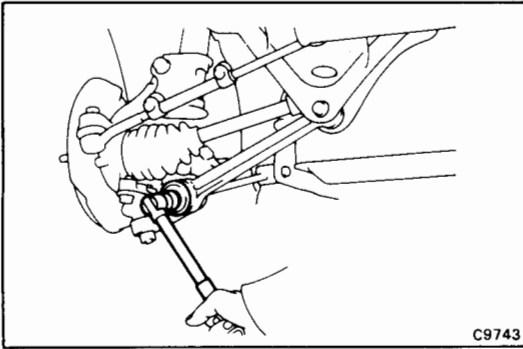
**Torque: 1,190 kg-cm (86 ft-lb, 117 N·m)**

- (b) Torque the lower arm holding bolt (body).

**Torque: 1,300 kg-cm (94 ft-lb, 127 N·m)**

### 5. INSPECT REAR WHEEL ALIGNMENT

(See page RA-3)

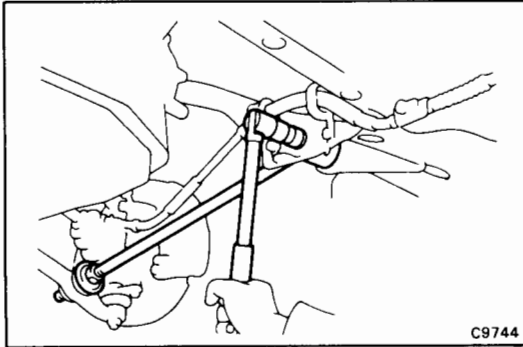


## Strut Rod

(See page RA-23)

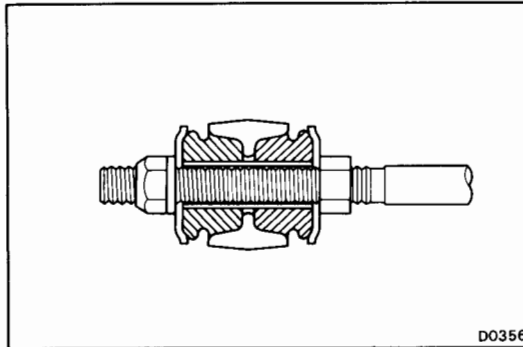
### REMOVAL OF STRUT ROD

#### 1. REMOVE STRUT ROD NUT AND RETAINER



#### 2. REMOVE STRUT ROD

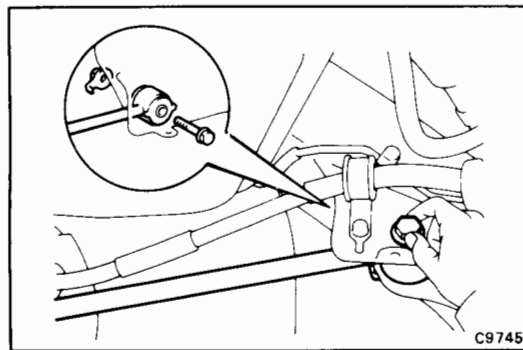
- (a) Remove the bolt and nut holding the strut rod with the body, and remove the cushion and strut rod from the lower arm.
- (b) Remove the cushion, collar and retainer from the strut rod.



### INSTALLATION OF STRUT ROD

#### 1. INSTALL STRUT ROD

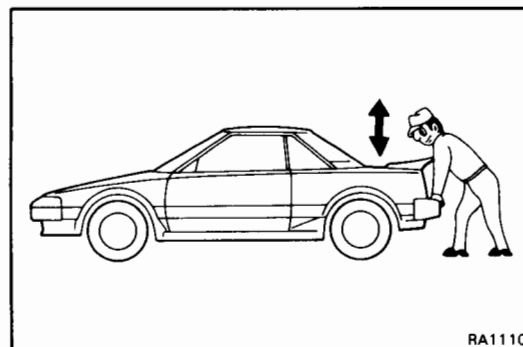
- (a) Install the retainer, collar and cushion to the strut rod (lower arm side).
- (b) Temporarily install the strut rod to the lower arm.



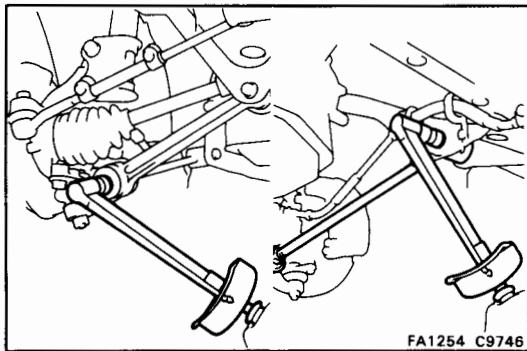
- (c) Temporarily install the bolt and nut holding the strut rod to the body.

#### 2. INSTALL WHEEL AND LOWER VEHICLE

Rock the vehicle up and down to stabilize the suspension.



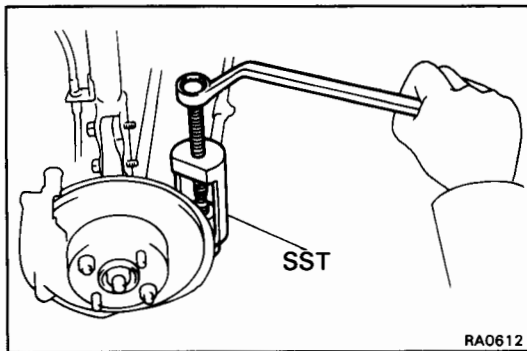




**3. TIGHTEN STRUT ROD HOLDING NUT**

Torque:

- Lower arm side 1,190 kg-cm (86 ft-lb, 117 N-m)
- Body side 1,150 kg-cm (83 ft-lb, 113 N-m)



**Suspension Arm**

(See page RA-23)

**REMOVAL OF SUSPENSION ARM**

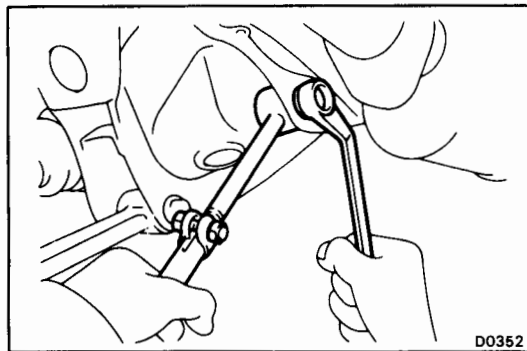
**1. DISCONNECT SUSPENSION ARM**

- (a) Remove the cotter pin and nut.
- (b) Using SST, disconnect the suspension arm from the rear axle carrier.

SST 09610-20012

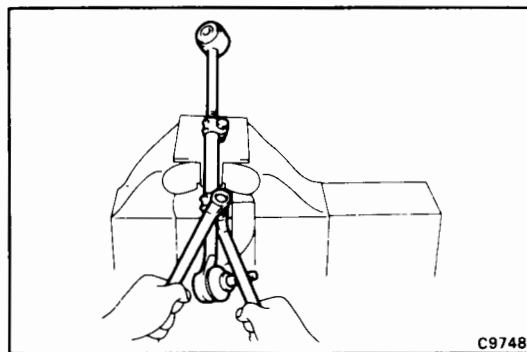
**2. REMOVE SUSPENSION ARM FROM BODY**

Remove the suspension arm holding nut from the body.



**DISASSEMBLY OF SUSPENSION ARM**

**1. REMOVE TIE ROD END AND SUSPENSION ARM FROM TIE ROD TUBE**

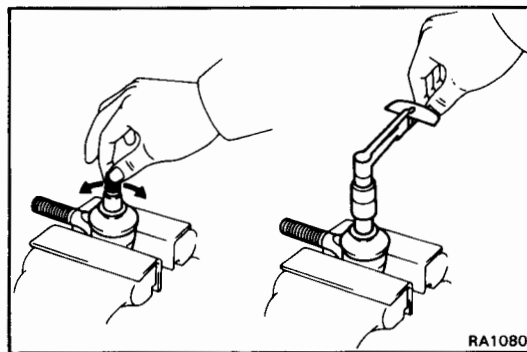


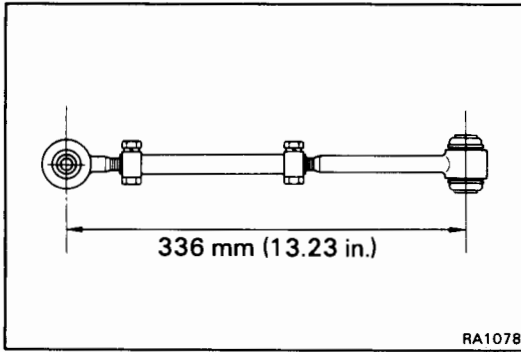
**2. INSPECT BALL JOINT FOR ROTATION CONDITION**

- (a) Flip the ball joint stud back and forth 5 times, as shown in the figure, before installing the nut.
- (b) Using a torque gauge, turn the nut continuously one turn every 2-4 seconds, and take the torque reading on the fifth turn.

Torque (turning): 8.5 – 35 kg-cm  
(7.4 – 30 in.-lb, 0.8 – 3.4 N·m)

If not within specification, replace the ball joint.



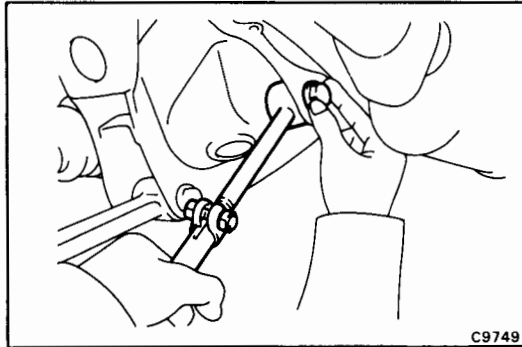


## ASSEMBLY OF SUSPENSION ARM

### INSTALL TIE ROD END AND SUSPENSION ARM TO TIE ROD TUBE

- (a) Install the suspension arm and tie rod to the tie rod tube.
- (b) Adjust the tie rod end and suspension arm to the length indicated in the figure.

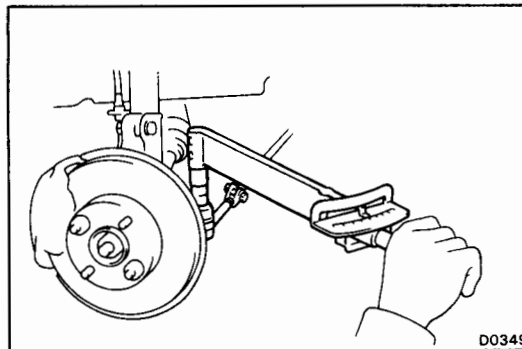
NOTE: Fully tighten after rear wheel alignment.



## INSTALLATION OF SUSPENSION ARM

### 1. INSTALL SUSPENSION ARM TO BODY

Temporarily connect the suspension arm to the body with the bolt.



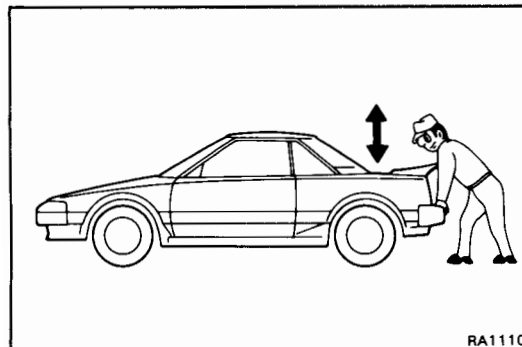
### 2. INSTALL SUSPENSION ARM TO REAR AXLE CARRIER

- (a) Install the suspension arm to the rear axle carrier with the nut.

**Torque: 500 kg-cm (36 ft-lb, 49 N·m)**

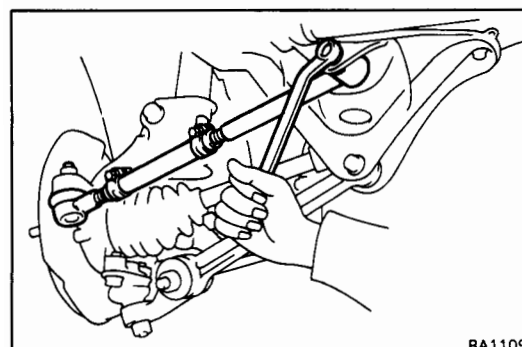
- (b) Install a new cotter pin.

NOTE: If the cotter pin hole does not line up, correct by tightening the nut by the smallest amount possible.



### 3. INSTALL WHEEL AND LOWER VEHICLE

Rock the vehicle up and down to stabilize the suspension.



### 4. TIGHTEN SUSPENSION ARM HOLDING BOLT

**Torque: 1,000 kg-cm (72 ft-lb, 98 N·m)**

### 5. INSPECT REAR WHEEL ALIGNMENT (See page RA-3)

# BRAKE SYSTEM

	<b>Page</b>
<b>PRECAUTIONS</b> .....	<b>BR-2</b>
<b>TROUBLESHOOTING</b> .....	<b>BR-2</b>
<b>CHECKS AND ADJUSTMENTS</b> .....	<b>BR-5</b>
<b>MASTER CYLINDER</b> .....	<b>BR-8</b>
<b>BRAKE BOOSTER</b> .....	<b>BR-15</b>
<b>FRONT BRAKE</b> .....	<b>BR-18</b>
<b>REAR BRAKE</b> .....	<b>BR-26</b>
<b>BRAKE HOSES AND TUBES</b> .....	<b>BR-40</b>

## PRECAUTIONS

1. Care must be taken to replace each part properly as it could affect the performance of the brake system and result in a driving hazard. Replace the parts with parts of the same part number or equivalent.
2. It is very important to keep parts and area clean when repairing the brake system.

## TROUBLESHOOTING

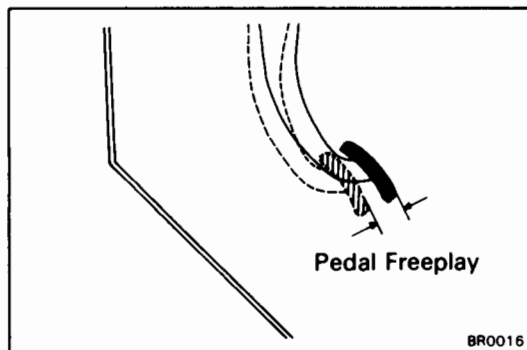
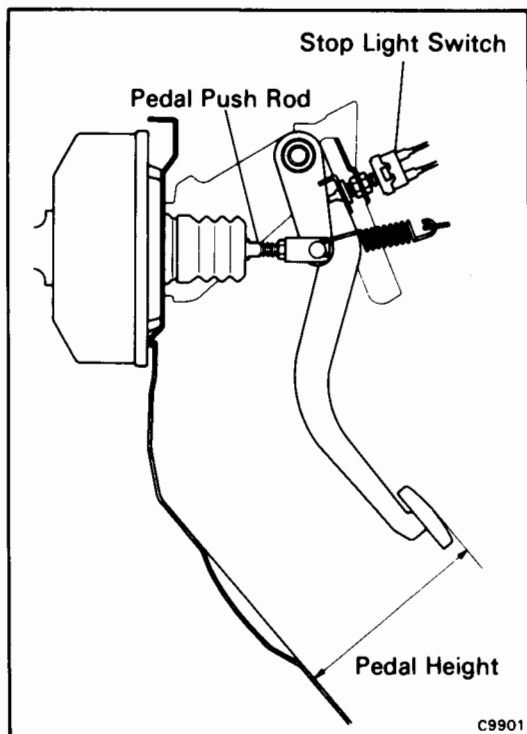
Problem	Possible cause	Remedy	Page
Low or spongy pedal	Brake pads worn	Replace pads	BR-18, 26
	Leak in brake system	Repair leak	
	Master cylinder faulty	Repair or replace master cylinder	BR-8
	Air in brake system	Bleed brake system	BR-6
	Cylinder faulty	Repair cylinder	
	Piston seals worn or damaged	Repair brake calipers	BR-22, 30
	Rear brake automatic adjuster faulty	Repair or replace adjuster	
Brakes drag	Parking brake out of adjustment	Adjust parking brake	BR-7
	Binding parking brake wire	Repair as necessary	
	Booster push rod out of adjustment	Adjust push rod	BR-16
	Brake line restricted	Repair as necessary	
	Caliper piston sticking	Repair as necessary	BR-22, 30
	Automatic adjuster broken	Replace adjuster	
	Master cylinder faulty	Repair or replace master cylinder	BR-8
Brakes pull	Tires improperly inflated	Inflate tires to proper pressure	
	Oil or grease on brake pads	Check for cause, replace pads	BR-18, 26
	Disc out of round	Replace disc	BR-23, 33
	Cylinder faulty	Repair cylinder	
	Piston frozen in caliper	Repair caliper	BR-22, 30
	Disc brake pad sticking	Replace pads	BR-18, 26
Hard pedal but brakes inefficient	Oil or grease on brake pads	Check for cause, replace pads	BR-18, 26
	Disc brake pads worn	Replace pads	BR-18, 26
	Piston frozen in caliper	Repair caliper	BR-23, 33
	Brake booster faulty	Repair booster	BR-15
	Vacuum leaks	Repair as necessary	
	Brake line restricted	Repair as necessary	

## TROUBLESHOOTING (Cont'd)

Problem	Possible cause	Remedy	Page
Snapping or clicking noise when brakes are applied	Rust on front edge of inboard shoes	Inspect, lubricate and replace if necessary	BR-18, 26
	Loose or missing pad support plate	Replace	BR-18, 26
	Loose installation bolt	Tighten	BR-18, 26
	Wear on slide bushing	Replace	BR-23, 33
Scraping or grinding noise when brakes are applied	Caliper to wheel or rotor interference	Replace as required	BR-18, 26
	Dust cover to rotor or drum interference	Correct or replace	BR-18, 26
	Other brake system components: Warped or bent brake backing plate or splash shield, cracked drums or rotors	Inspect or repair	BR-18, 26
	Tires rubbing against chassis and body	Inspect or repair	
Squeaking, squealing, groaning or chattering noise when brakes are applied  Note: Brake friction materials inherently generate noise and heat in order to dissipate energy. As a result, occasional squeal is normal and is aggravated by severe environmental conditions such as cold, heat, wetness, snow, salt, mud, etc.  This occasional squeal is not a functional problem and does not indicate any loss of brake effectiveness	Rotor and pads worn or scored	Inspect, repair or replace	BR-18, 26
	Missing or damaged brake pad anti-squeal shim	Replace	BR-18, 26
	Burred or rusted calipers	Clean or deburr	BR-18, 26
	Maladjustment of brake pedal or booster push rod	Inspect and adjust	BR-5, 16
	Pad wear and pad wear indicator making contact with the rotor	Replace pad	BR-18, 26
	Dirty, greased, contaminated or glazed brake pads	Clean or replace pads	BR-18, 26

## TROUBLESHOOTING (Cont'd)

Problem	Possible cause	Remedy	Page
Squealing and squeaking noise when brakes are not applied	Maladjustment of brake pedal or booster push rod	Inspect and adjust	BR-5, 16
	Poor return of brake booster or master cylinder or cylinder	Inspect, repair or replace	BR-8, 15
	Rusted or stuck	Inspect and lubricate as necessary	BR-18, 26
	Other brake system components: Loose or extra parts in brakes Worn, damaged or insufficiently lubricated wheel bearings	Inspect, repair and replace as required	
	Improper positioning of pad in caliper		
	Outside diameter of rotor rubbing caliper housing		
	Housing installation of disc brake pad support plate		BR-18, 26
Groaning, clicking or rattling noise when brakes are not applied	Stones or foreign material trapped inside wheel covers	Remove foreign material	
	Loose wheel nuts	Tighten to correct torque Replace if stud holes are elongated	
	Loose or missing anti-rattle spring or pad support plate or crimping on outer pad	Inspect, repair or replace	BR-18, 26
	Failure of shim	Inspect and replace if necessary	BR-18, 26
	Wear on slide bushing	Inspect and replace if necessary	BR-22, 30
	Loose installation bolt	Inspect and tighten if necessary	BR-18, 26
	Maladjustment of brake pedal or booster push rod	Inspect and adjust	BR-5, 16
	Poor return of piston	Inspect and repair or replace	BR-22, 30
Worn, damaged or dry wheel bearings	Inspect and lubricate or replace		



## CHECKS AND ADJUSTMENTS

### CHECK AND ADJUSTMENT OF BRAKE PEDAL

#### 1. CHECK THAT PEDAL HEIGHT IS CORRECT, AS SHOWN

Pedal height from asphalt sheet: **154 – 164 mm**  
(6.06 – 6.46 in.)

#### 2. IF NECESSARY, ADJUST PEDAL HEIGHT

- (a) If necessary, remove the instrument lower finish panel and air duct.
- (b) Loosen the stop light switch lock nut.
- (c) Sufficiently loosen the stop light switch.
- (d) Loosen the push rod lock nut.
- (e) Adjust the pedal height by turning the pedal push rod.
- (f) Return the stop light switch until it lightly contacts the pedal stopper.
- (g) Tighten the two lock nuts.
- (h) Check that the stop lights light when the brake pedal depressed.
- (i) After adjusting the pedal height, check and adjust the pedal freeplay.

#### 3. CHECK THAT PEDAL FREEPLAY IS CORRECT, AS SHOWN

(Single type brake booster)

- (a) Stop the engine and depress the brake pedal several times until there is no more vacuum left in the booster.
- (b) Push in the pedal until the beginning of resistance is felt. Measure the distance, as shown.

**Pedal freeplay: 3 – 6 mm (0.12 – 0.24 in.)**

NOTE: The pedal freeplay is the amount of the stroke until the booster air valve is moved by the pedal push rod.

(Tandem type brake booster)

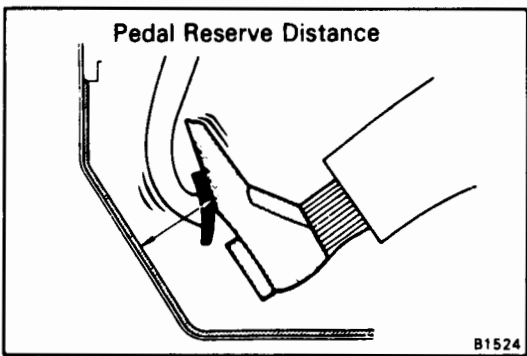
- (a) Stop the engine and depress the brake pedal several times until there is no more vacuum left in the booster.
- (b) Push in the pedal by hand until the beginning of the second resistance is felt, measure the distance, as shown.

**Pedal freeplay: 3 – 6 mm (0.12 – 0.24 in.)**

NOTE: The freeplay to the first resistance is due to the play between the clevis and pin. And it is 1 – 3 mm (0.04 – 0.12 in.) on the pedal.

#### 4. IF NECESSARY, ADJUST PEDAL FREEPLAY

- (a) If incorrect, adjust the pedal freeplay by turning the pedal push rod.
- (b) Start the engine and confirm that pedal freeplay exists.
- (c) After adjusting the pedal freeplay, check the pedal height.
- (d) Install the air duct and instrument lower finish panel.



## 5. CHECK THAT PEDAL RESERVE DISTANCE IS CORRECT, AS SHOWN

Release the parking brake.

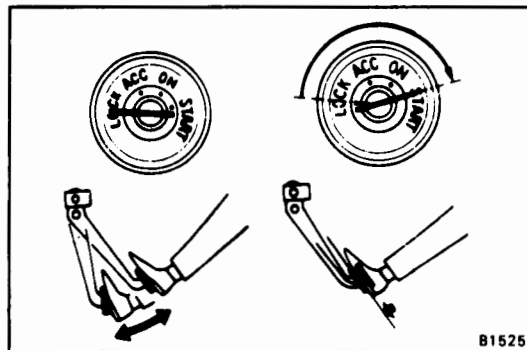
With engine running, depress the pedal and measure the pedal reserve distance, as shown.

**Pedal reserve distance from asphalt sheet at 50 kg (110.2 lb, 490 N):**

**4A-GE: More than 87 mm (3.43 in.)**

**4A-GZE: More than 77 mm (3.03 in.)**

If incorrect, troubleshoot the brake system.



## OPERATIONAL TEST OF BRAKE BOOSTER

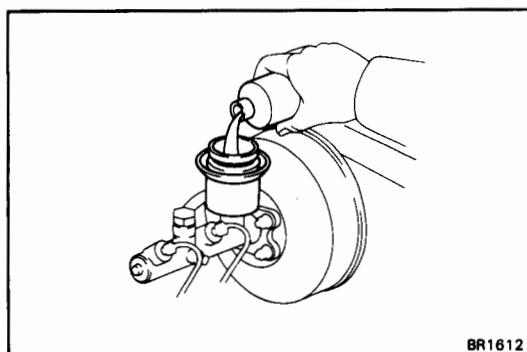
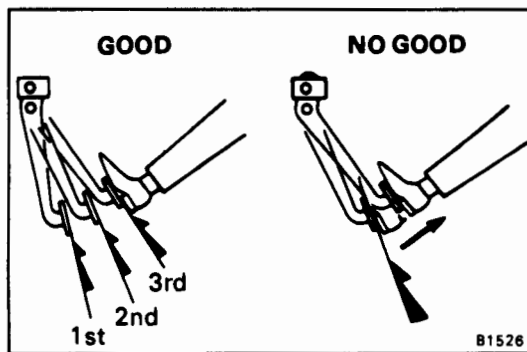
NOTE: If available, use a brake booster tester to check the booster operating condition.

### 1. OPERATING CHECK

- (a) Depress the brake pedal several times with the engine stopped, and check that there is no change in the pedal reserve distance.
- (b) Depress the brake pedal and start the engine. If the pedal goes down slightly, operation is normal.

### 2. AIR TIGHTNESS CHECK

- (a) Start the engine and stop it after one or two minutes. Depress the brake pedal several times slowly. If the pedal goes down furtherest the first time, but gradually rises after the second or third time, the booster is air tight.
- (b) Depress the brake pedal while the engine is running, and stop it with the pedal depressed. If there is no change in pedal reserve travel after holding the pedal for thirty seconds, the booster is air tight.



## BLEEDING OF BRAKE SYSTEM

NOTE: If any work is done on the brake system or if air is suspected in the brake lines, bleed the system of air.

**CAUTION: Do not let brake fluid remain on a painted surface. Wash it off immediately.**

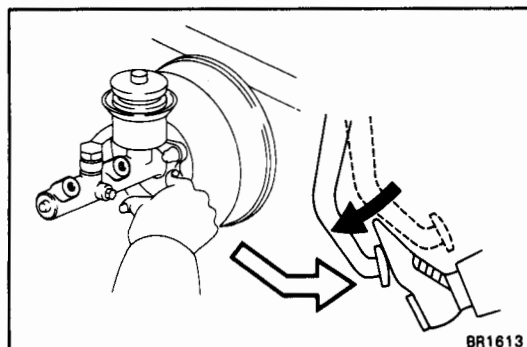
### 1. FILL BRAKE RESERVOIR WITH BRAKE FLUID

Check the fluid level in the reservoir. If necessary, add brake fluid.

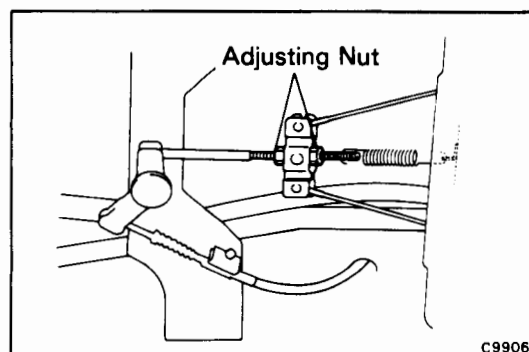
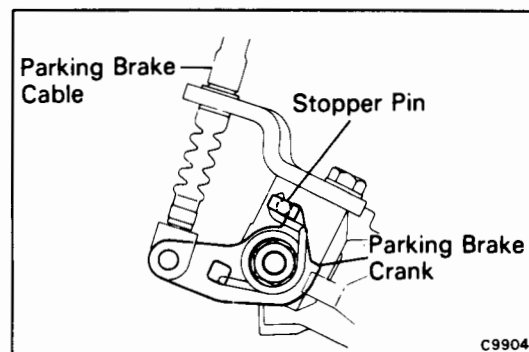
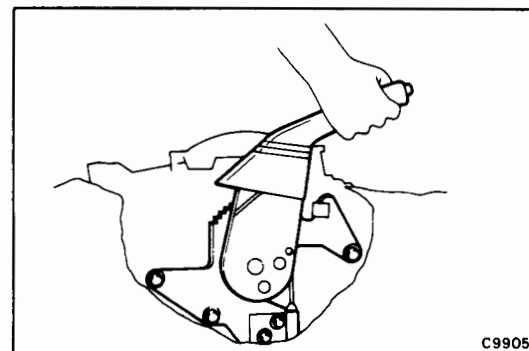
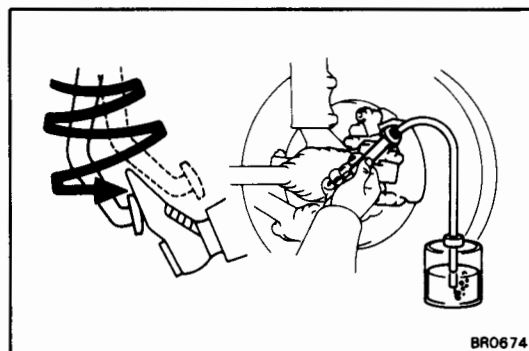
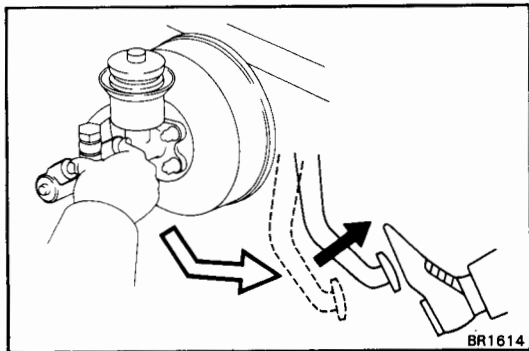
### 2. BLEED MASTER CYLINDER

NOTE: If the master cylinder was disassembled or if the reservoir becomes empty, bleed the air from the master cylinder.

- (a) Disconnect the brake tubes from the master cylinder.
- (b) Depress the brake pedal and hold it.







- (c) Block off the outlet holes with your fingers, and release the brake pedal.
- (d) Repeat (b) and (c) three or four times.

**3. BEGIN BLEEDING AIR FROM BRAKE CYLINDER WITH LONGEST HYDRAULIC LINE**

- (a) Connect the vinyl tube to the brake cylinder bleeder plug, and insert the other end of the tube in a half-full container of brake fluid.
- (b) Slowly pump the brake pedal several times.
- (c) While having an assistant press on the pedal, loosen the bleeder plug until fluid starts to run out. Then close the bleeder plug.
- (d) Repeat (b) and (c) until there are no more air bubbles in the fluid.
- (e) Tighten the bleeder plug.

**Bleeder plug tightening torque:**  
**85 kg-cm (74 in.-lb, 8.3 N·m)**

**4. REPEAT PROCEDURE FOR EACH WHEEL**

**CHECK AND ADJUSTMENT OF PARKING BRAKE**

**1. CHECK THAT PARKING BRAKE LEVER TRAVEL IS CORRECT**

- (a) Pull the parking brake lever all the way up and down for two or three times. Then return the parking brake lever.
- (b) Depress the brake pedal for several times.
- (c) Pull the parking brake lever all the way up, and count the notches of lever travel.

**Parking brake lever travel**  
**at 20 kg (44.1 lb, 196 N): 5 – 8 clicks**

If incorrect, adjust the parking brake.

**2. IF NECESSARY, ADJUST PARKING BRAKE**

- (a) Pull the parking brake lever all the way up and down for two or three times. Then return the parking brake lever.
- (b) Depress the brake pedal for several times.
- (c) Remove the fuel tank protector.
- (d) Loosen the adjusting nut and brake cable, and check that the parking brake crank touches stopper pin.
- (e) Stretch the brake cable by turning the adjusting nut before the parking brake crank begin moving.
- (f) Tighten the adjusting nuts.

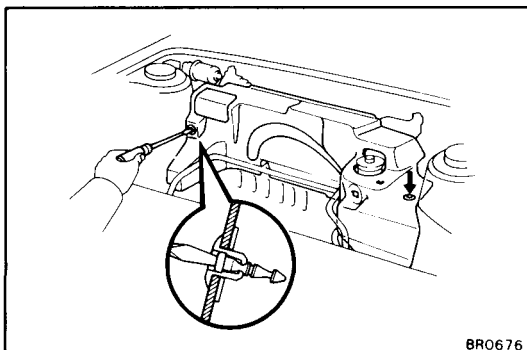
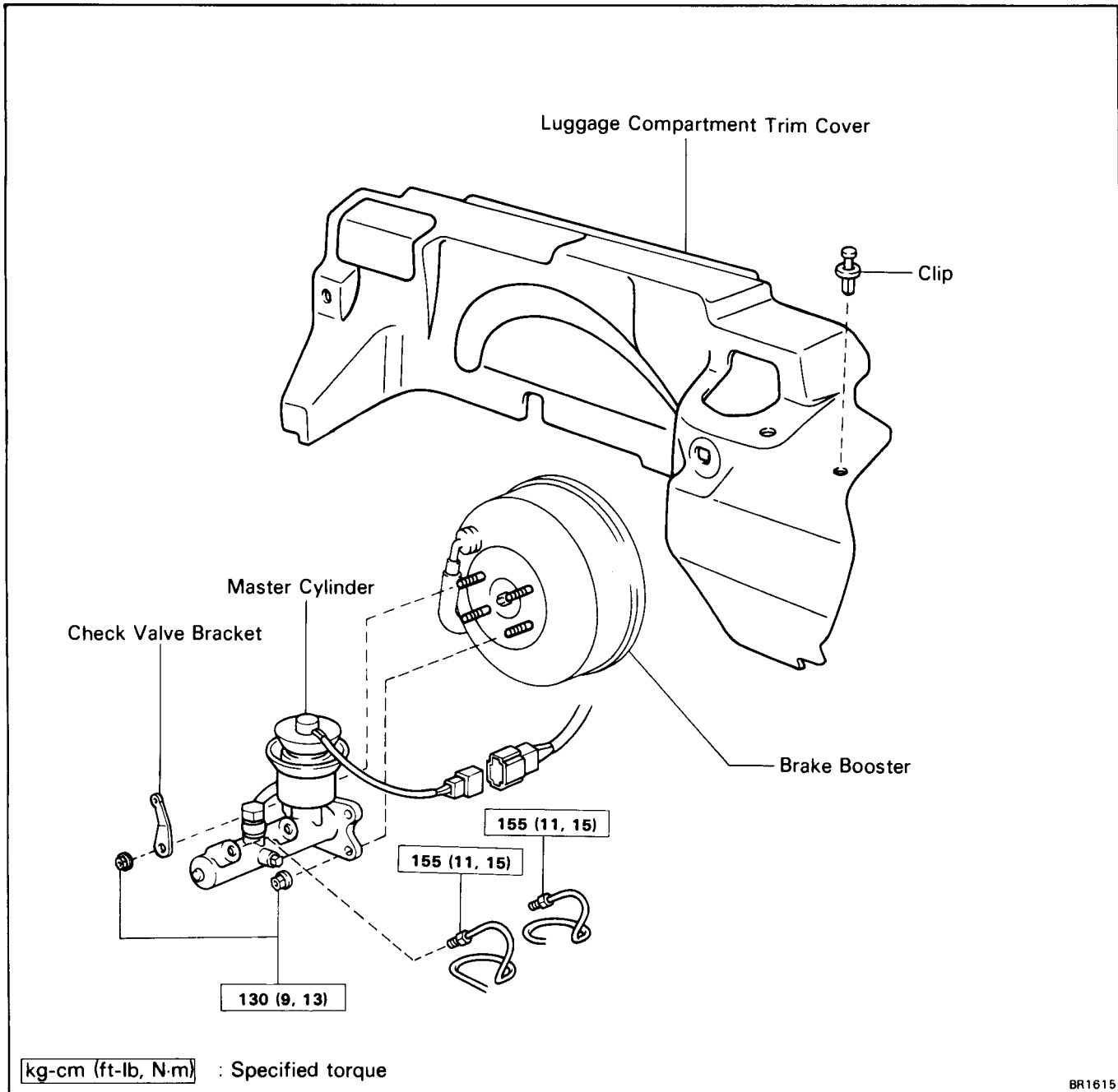
**NOTE:** Tighten the adjusting nuts so the equalizer is horizontal to the ground.

**Torque: 160 kg-cm (12 ft-lb, 16 N·m)**

- (g) Install the fuel tank protector.

# MASTER CYLINDER

## REMOVAL OF MASTER CYLINDER COMPONENTS



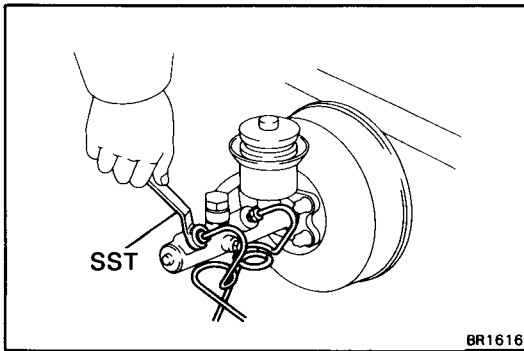
### 1. REMOVE LUGGAGE COMPARTMENT TRIM COVER

Remove the two clips after disengaging the inner part of the clip, and remove the cover.

### 2. DISCONNECT LEVEL WARNING SWITCH CONNECTOR

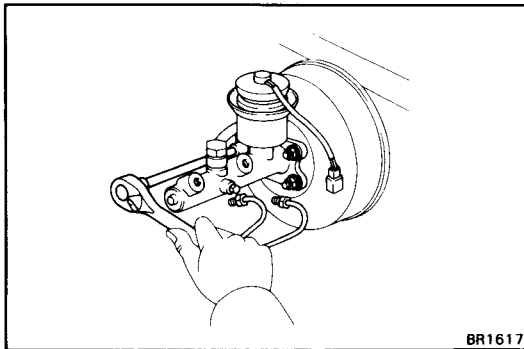
### 3. TAKE OUT FLUID WITH SYRINGE

**CAUTION:** Do not let brake fluid remain on a painted surface. Wash it off immediately.

**4. DISCONNECT TWO BRAKE TUBES**

Using SST, disconnect two brake tubes from the master cylinder.

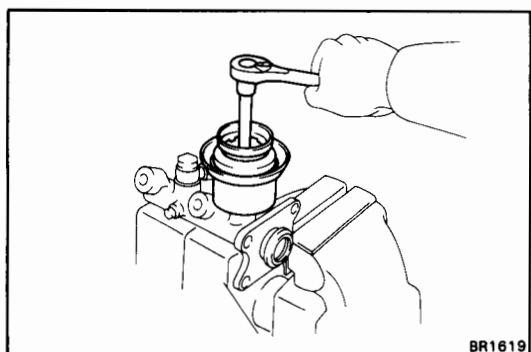
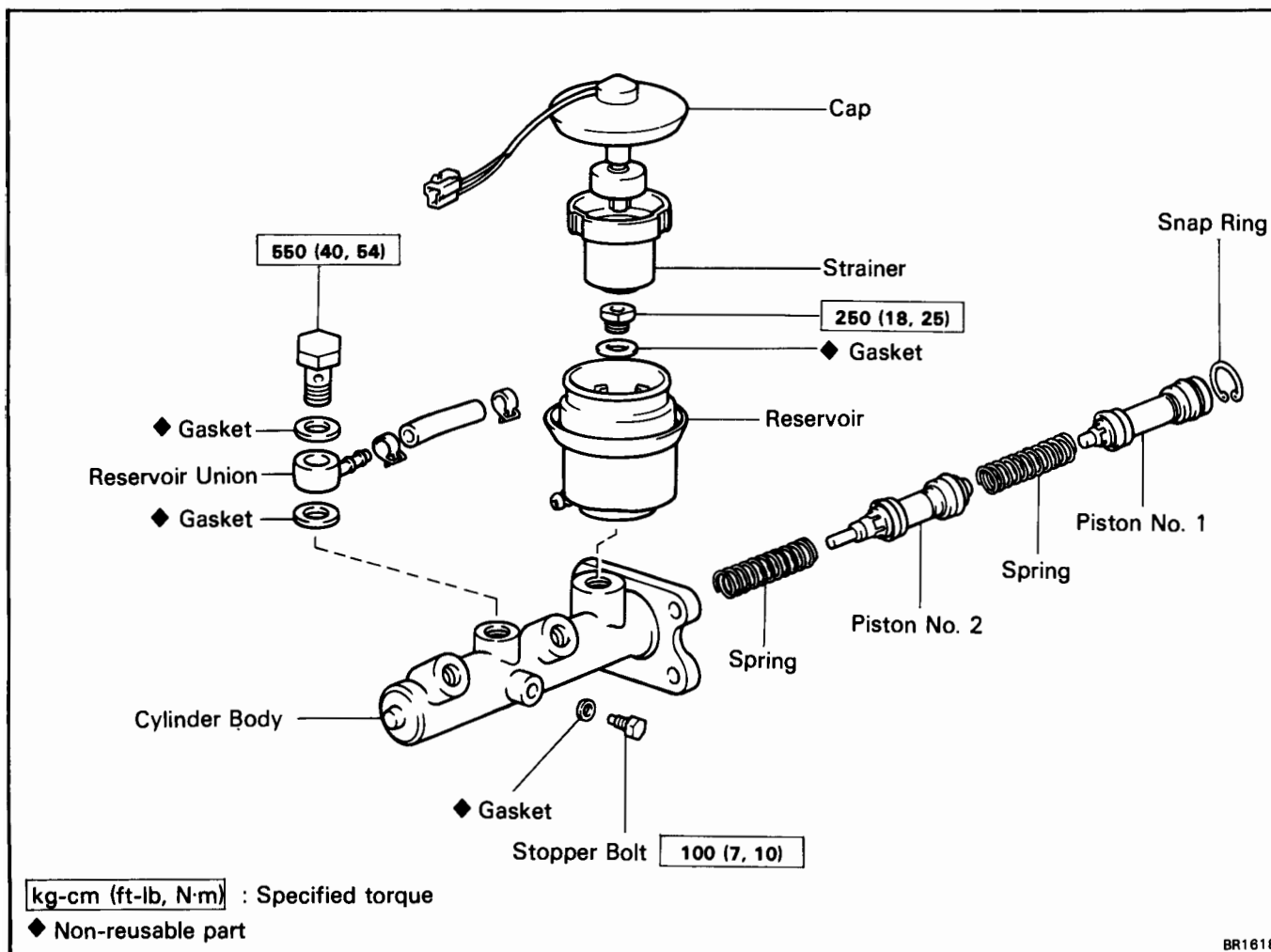
SST 09751-36011

**5. REMOVE MASTER CYLINDER**

(a) Remove the four nuts and check valve bracket.

(b) Remove the master cylinder from the brake booster.

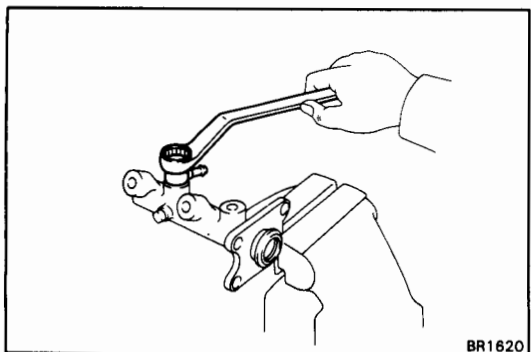
## DISASSEMBLY OF MASTER CYLINDER COMPONENTS



### 1. PLACE CYLINDER IN VISE

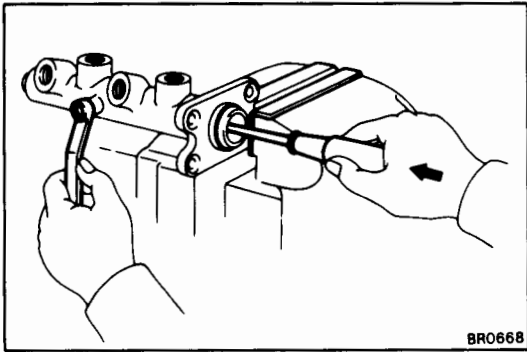
### 2. REMOVE RESERVOIR AND HOSE

- (a) Remove the set bolt from the reservoir.
- (b) Remove the reservoir with the hose from the master cylinder.

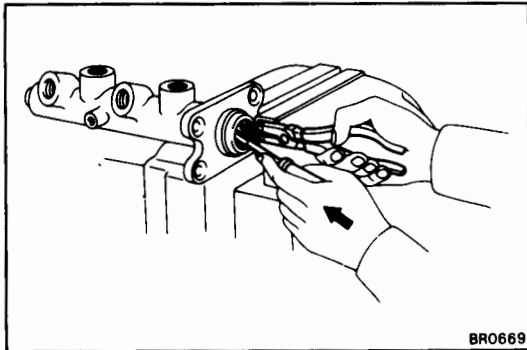


### 3. REMOVE RESERVOIR UNION

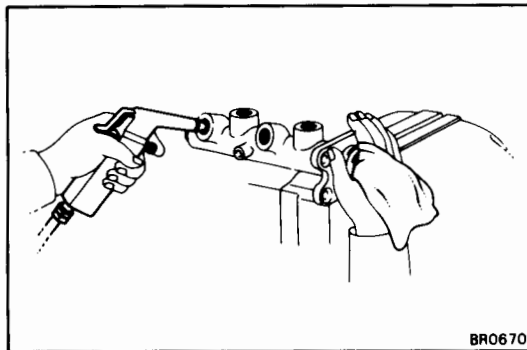
- (a) Remove the union bolt.
- (b) Remove the reservoir union and two gaskets.

**4. REMOVE PISTON STOPPER BOLT**

Using a screwdriver, push the pistons in all the way, and remove the piston stopper bolt and gasket.

**5. REMOVE TWO PISTONS AND SPRINGS**

(a) Push in the piston with a screwdriver and remove the snap ring with snap ring pliers.



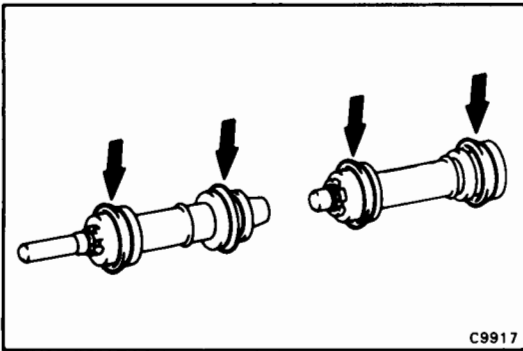
(b) Remove the two pistons and springs from the master cylinder. If necessary, inject compressed air into the outlet hole to force out the piston.

**INSPECTION OF MASTER CYLINDER**

NOTE: Clean the disassembled parts with compressed air.

- 1. INSPECT CYLINDER BORE FOR RUST AND SCORING**
- 2. INSPECT CYLINDER FOR WEAR OR DAMAGE**

If necessary, clean or replace the cylinder.



## ASSEMBLY OF MASTER CYLINDER

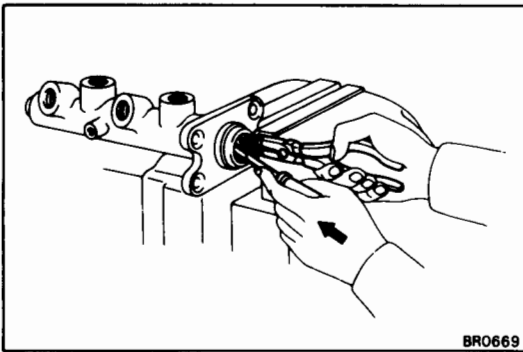
(See page BR-10)

1. APPLY LITHIUM SOAP BASE GLYCOL GREASE TO RUBBER PARTS OF PISTON

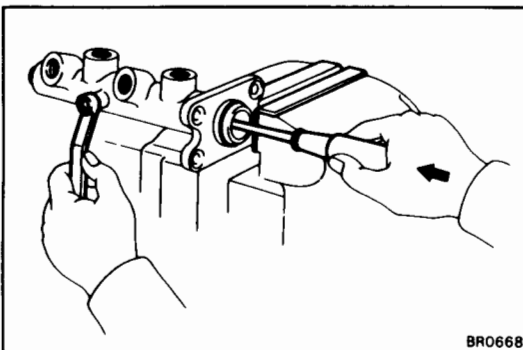
2. INSTALL TWO SPRINGS AND PISTONS

**CAUTION:** Be careful not to damage the rubber lips on the pistons.

- (a) Insert two springs and pistons straight in, not at an angle.



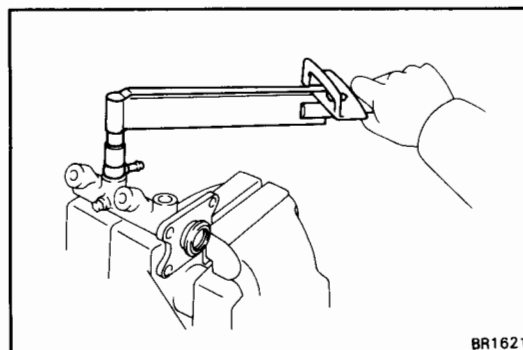
- (b) Using snap ring pliers, install the snap ring.



3. INSTALL PISTON STOPPER BOLT AND NEW GASKET

Using a screwdriver, push the pistons in all the way and install the piston stopper bolt through the new gasket. Torque the bolt.

**Torque: 100 kg-cm (7 ft-lb, 10 N·m)**

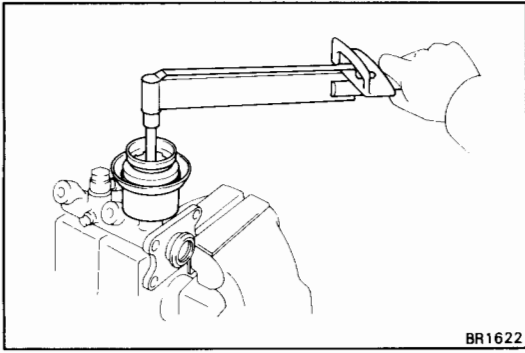


4. INSTALL RESERVOIR UNION

- (a) Install the union through the new gaskets.

- (b) Install and torque the union bolt.

**Torque: 550 kg-cm (40 ft-lb, 54 N·m)**

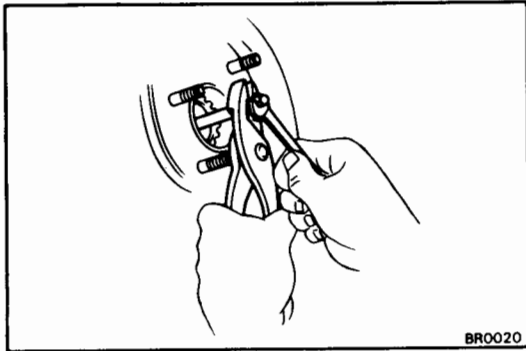
**5. INSTALL RESERVOIR AND HOSE**

- (a) Connect the hose to union and reservoir.
- (b) Install the reservoir on the master cylinder with the "MAX" mark facing toward the front.
- (c) Install the bolt through the new washer and torque it.

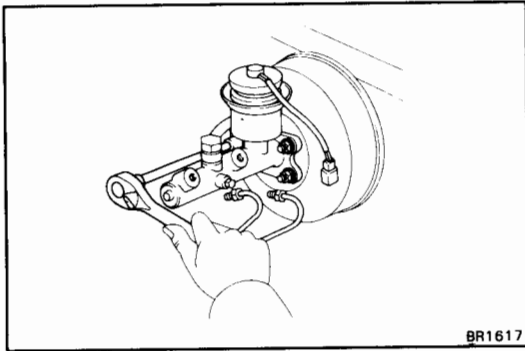
**Torque: 250 kg-cm (18 ft-lb, 25 N·m)**

## INSTALLATION OF MASTER CYLINDER

1. CLEAN OUT GROOVE ON LOWER INSTALLATION SURFACE OF MASTER CYLINDER



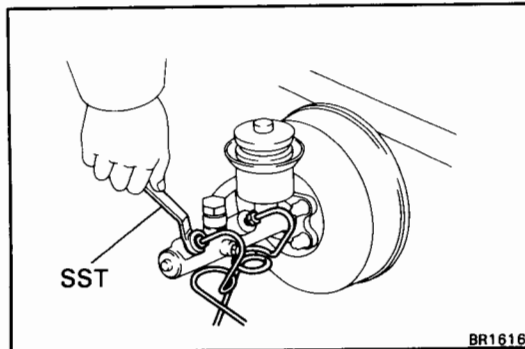
2. ADJUST LENGTH OF BRAKE BOOSTER PUSH ROD BEFORE INSTALLING MASTER CYLINDER  
(See page BR-16)



3. INSTALL MASTER CYLINDER

Install the master cylinder and check valve bracket on the brake booster with four nuts.

**Torque: 130 kg-cm (9 ft-lb, 13 N·m)**



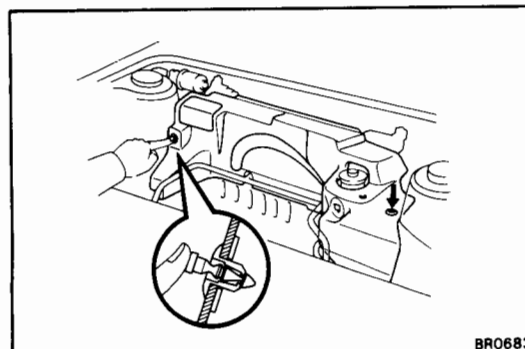
4. CONNECT TWO BRAKE TUBES

(a) Finger tighten the union nuts.

(b) Using SST, torque the union nuts.

SST 09751-36011

**Torque: 155 kg-cm (11 ft-lb, 15 N·m)**

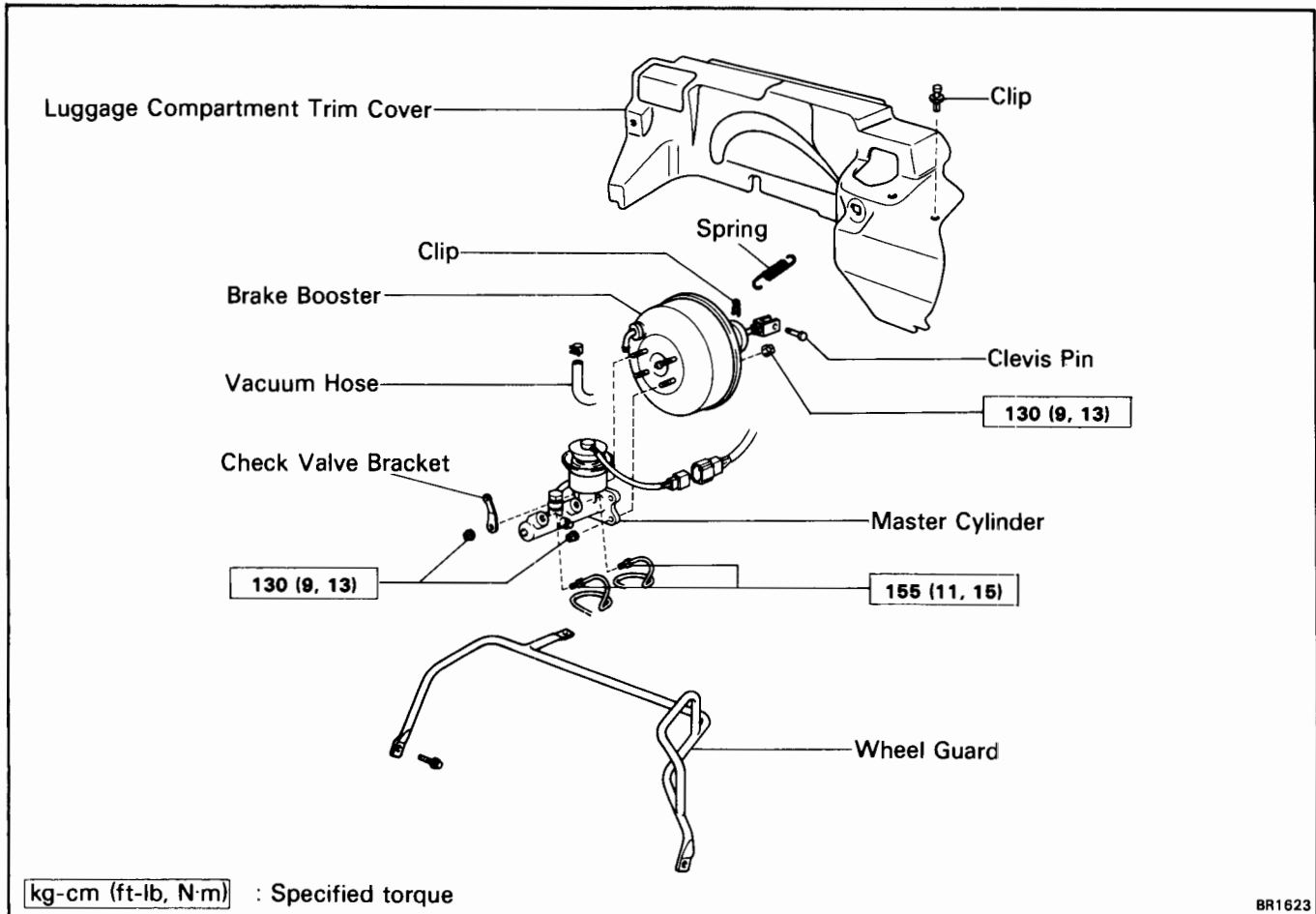


5. INSTALL LUGGAGE COMPARTMENT TRIM COVER
6. CONNECT LEVEL WARNING SWITCH CONNECTOR
7. FILL BRAKE RESERVOIR WITH BRAKE FLUID AND BLEED BRAKE SYSTEM (See page BR-6)
8. CHECK FOR LEAKS
9. CHECK AND ADJUST BRAKE PEDAL  
(See page BR-5)

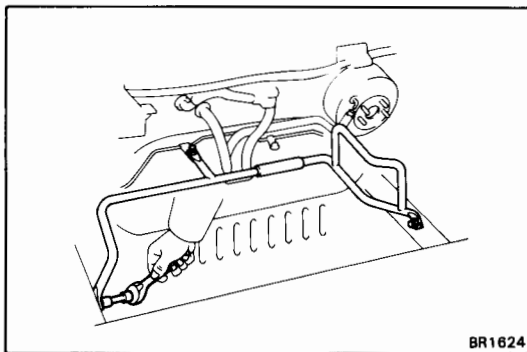


# BRAKE BOOSTER

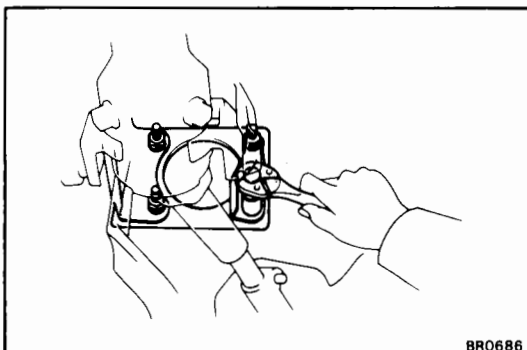
## REMOVAL OF BRAKE BOOSTER COMPONENTS



BR1623

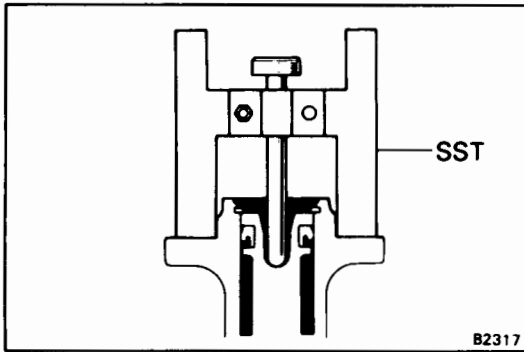


BR1624

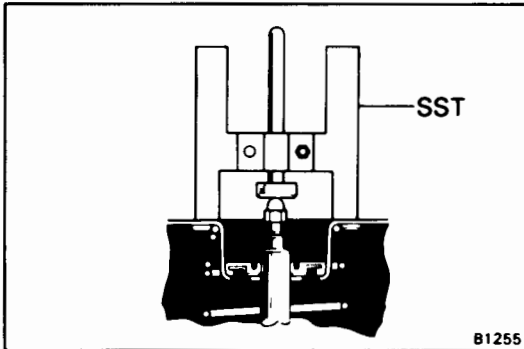


BR0686

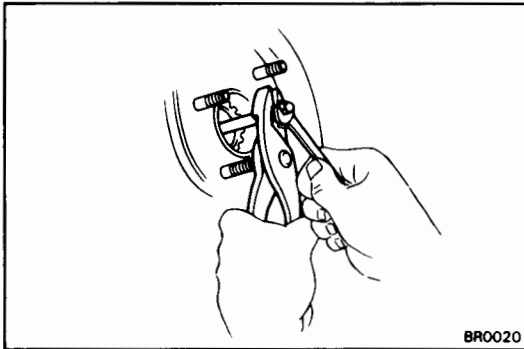
1. REMOVE MASTER CYLINDER (See page BR-8)
2. REMOVE WHEEL GUARD
3. DISCONNECT VACUUM HOSE FROM BRAKE BOOSTER
4. REMOVE INSTRUMENT LOWER FINISH PANEL AND AIR DUCT
5. REMOVE PEDAL RETURN SPRING
6. REMOVE CLIP AND CLEVIS PIN
7. REMOVE BRAKE BOOSTER  
Remove the four nuts, and pull out the brake booster.



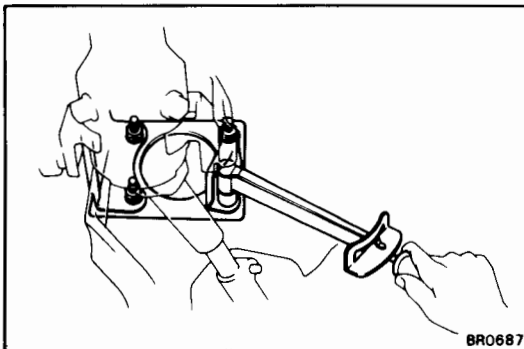
B2317



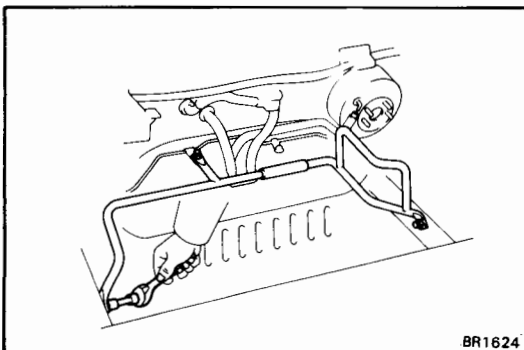
B1255



BR0020



BR0687



BR1624

## INSTALLATION OF BRAKE BOOSTER

### 1. ADJUST LENGTH OF BOOSTER PUSH ROD

- (a) Set SST on the master cylinder, and lower the pin until its tip slightly touches the piston.

SST 09737-00010

- (b) Turn SST upside down, and set it on the booster.

SST 09737-00010

- (c) Measure the clearance between the booster push rod and pin head (SST).

**Clearance: 0 mm (0 in.)**

- (d) Adjust the booster push rod length until the push rod lightly touches the pin head.

### 2. INSTALL BRAKE BOOSTER

Install the brake booster, and torque the four nuts.

**Torque: 130 kg-cm (9 ft-lb, 13 N·m)**

### 3. CONNECT CLEVIS TO BRAKE PEDAL

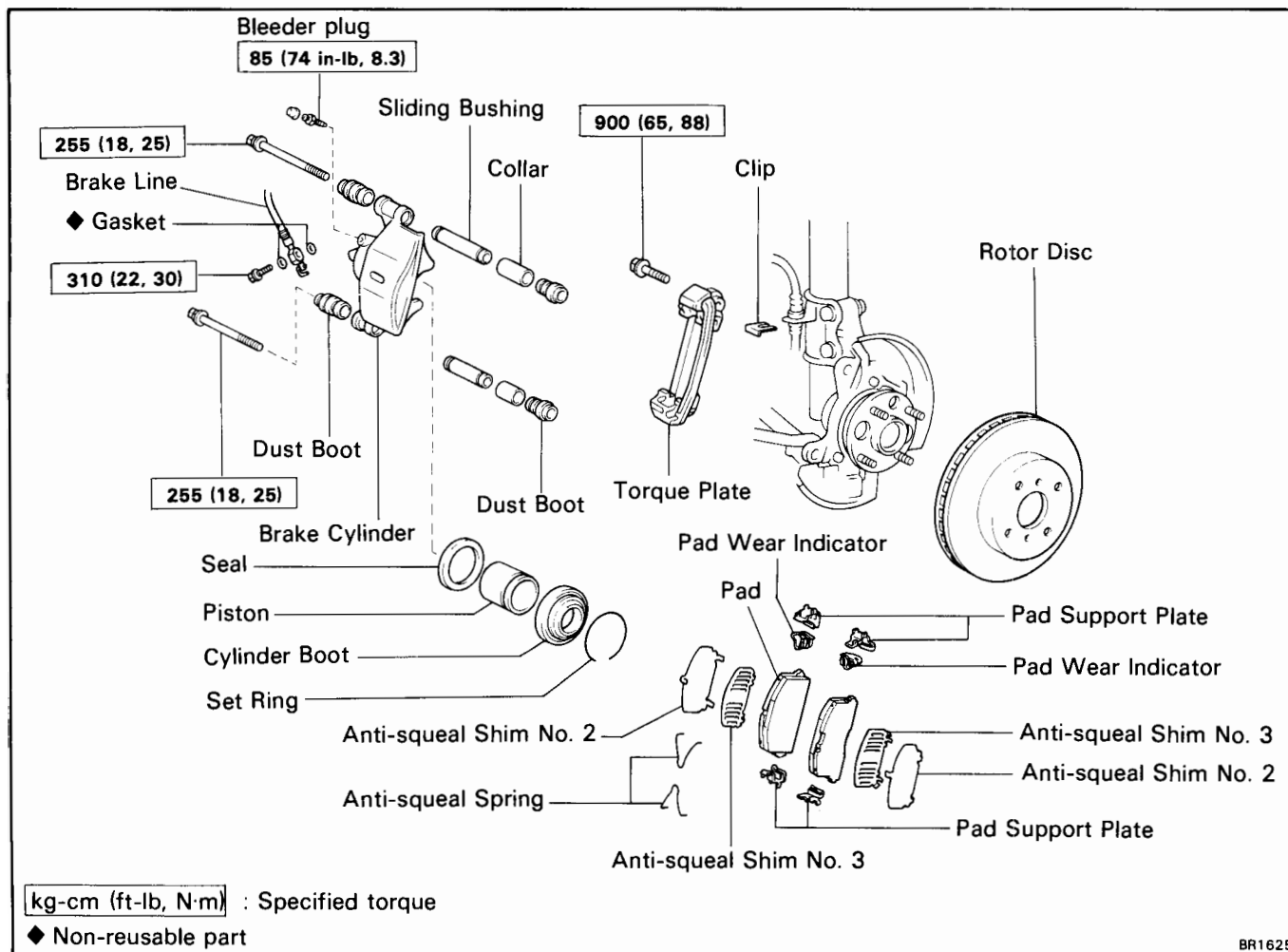
Insert the clevis pin into the clevis and brake pedal and install the clip to the clevis pin.

### 4. INSTALL PEDAL RETURN SPRING

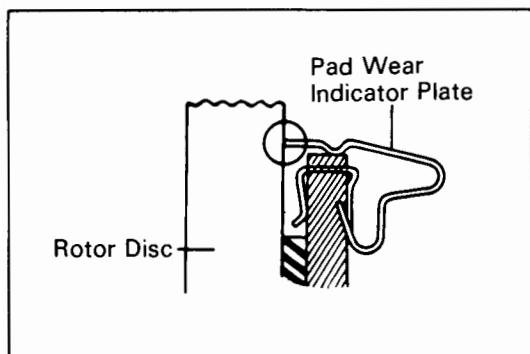
### 5. INSTALL WHEEL GUARD

- 6. INSTALL MASTER CYLINDER (See page BR-14)**
- 7. CONNECT HOSE TO BRAKE BOOSTER**
- 8. FILL BRAKE RESERVOIR WITH BRAKE FLUID AND BLEED BRAKE SYSTEM (See page BR-6)**
- 9. CHECK FOR LEAKS**
- 10. CHECK AND ADJUST BRAKE PEDAL (See page BR-5)**
- 11. PERFORM OPERATIONAL CHECK (See page BR-6)**
- 12. INSTALL INSTRUMENT LOWER FINISH PANEL AND AIR DUCT**
- 13. INSTALL LUGGAGE COMPARTMENT TRIM COVER**

## FRONT BRAKE COMPONENTS



BR1625

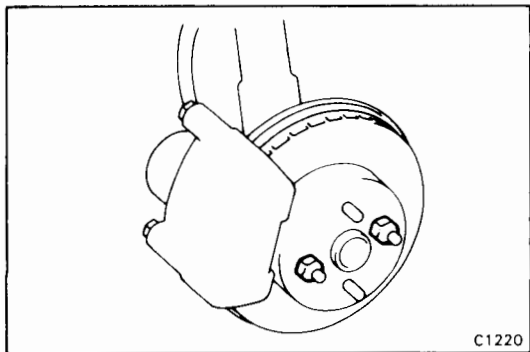


### REPLACEMENT OF BRAKE PADS

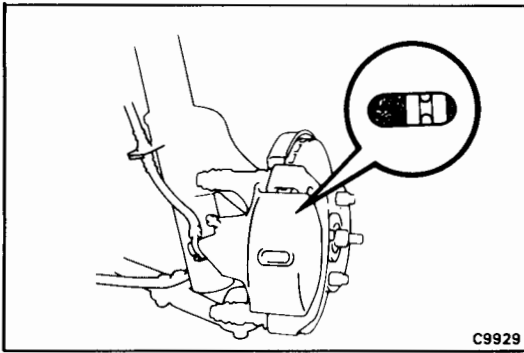
**NOTE:** If a squealing noise occurs from the front brakes while driving, check the pad wear indicator plate. If there are traces of the indicator plate contacting the rotor disc, the brake pad should be replaced.

#### 1. REMOVE FRONT WHEEL

Remove the wheel and temporarily fasten the rotor disc with the hub nuts.



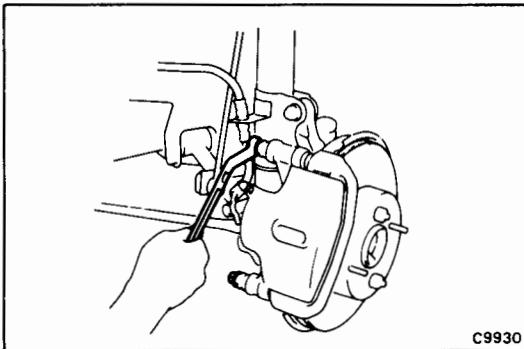
C1220



**2. INSPECT PAD LINING THICKNESS**

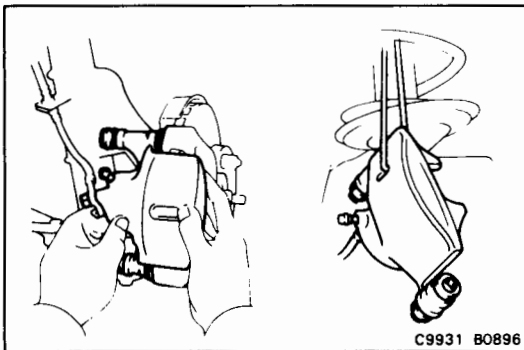
Check the pad thickness through the cylinder inspection hole and replace pads if not within specification.

**Minimum thickness: 3.0 mm (0.118 in.)**



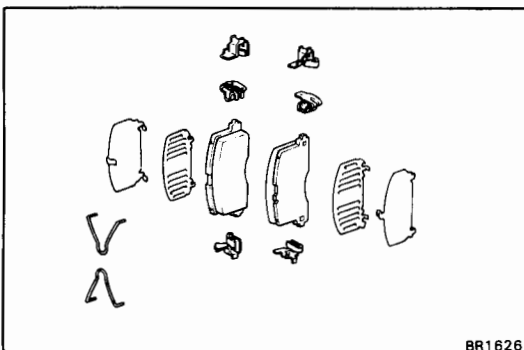
**3. REMOVE CYLINDER FROM TORQUE PLATE**

(a) Remove two installation bolts from the torque plate.



(b) Remove the brake cylinder and suspend it so the hose is not stretched.

**NOTE:** Do not disconnect the brake hose.



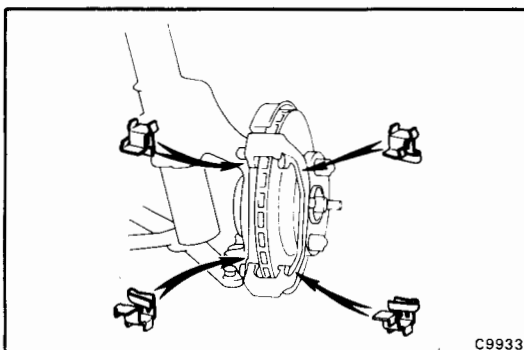
**4. REMOVE FOLLOWING PARTS**

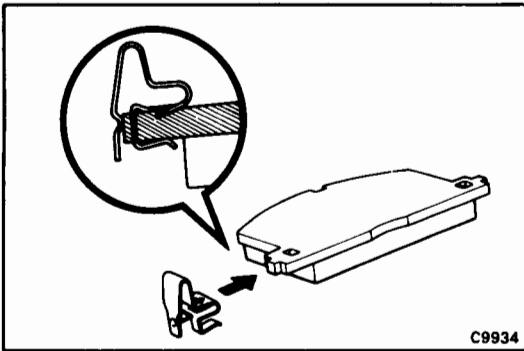
- (a) Two anti-squeal springs
- (b) Two brake pads
- (c) Four anti-squeal shims
- (d) Two pad wear indicator plates
- (e) Four pad support plates

**5. CHECK ROTOR DISC THICKNESS  
(See step 2 on page BR-23)**

**6. CHECK ROTOR DISC RUNOUT  
(See step 3 on page BR-23)**

**7. INSTALL PAD SUPPORT PLATES**





C9934

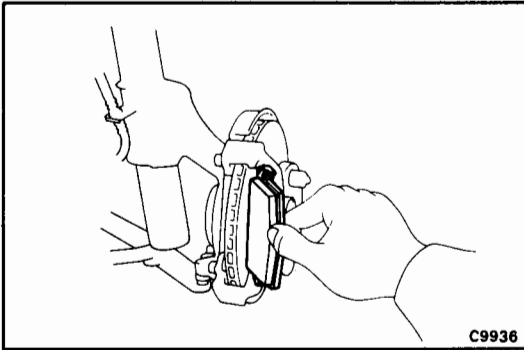
**8. INSTALL NEW PADS**

- (a) Install a pad wear indicator plate to the pad.

**NOTE:** Be sure the arrow on the pad wear indicator plate is pointing in the rotating direction of the disc.

- (b) Install anti-squeal shims to the pad.

**NOTE:** Apply disc brake grease to the both side of the anti-squeal shim No. 3.

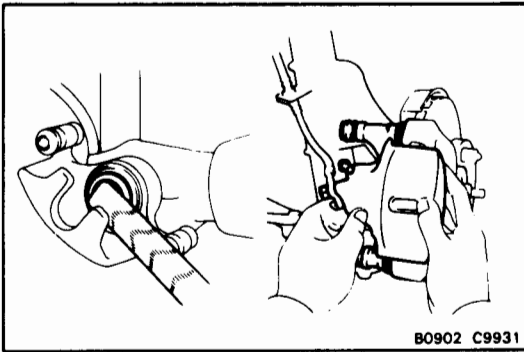


C9936

- (c) Install the pads onto each support plate.

**CAUTION:** Do not allow oil or grease to get on the rubbing face.

- (d) Install the two anti-squeal springs.



B0902 C9931

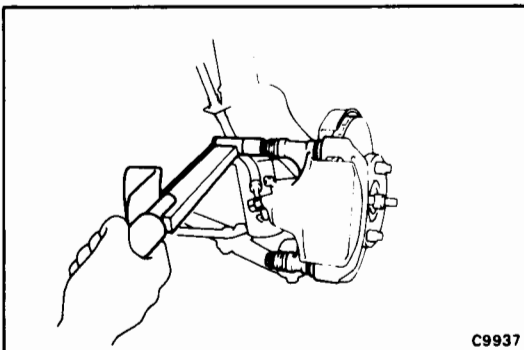
**9. INSTALL CYLINDER**

- (a) Draw out a small amount of brake fluid from the reservoir.

- (b) Press in piston with a hammer handle or an equivalent.

**NOTE:** Always change the pad on one wheel at a time as there is a possibility of the opposite piston flying out.

- (c) Insert the brake cylinder carefully so the boot is not wedged.

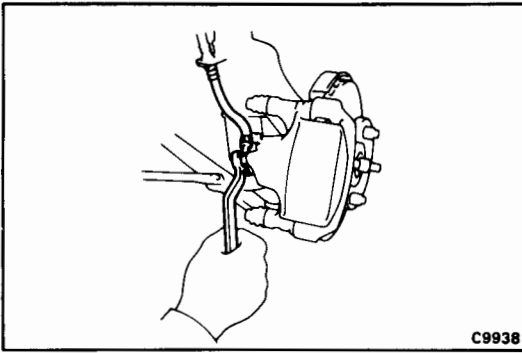


C9937

- (d) Install and torque two installation bolts.

**Torque: 255 kg-cm (18 ft-lb, 25 N·m)**

**10. INSTALL FRONT WHEEL****11. CHECK THAT FLUID LEVEL IS MAX LINE**

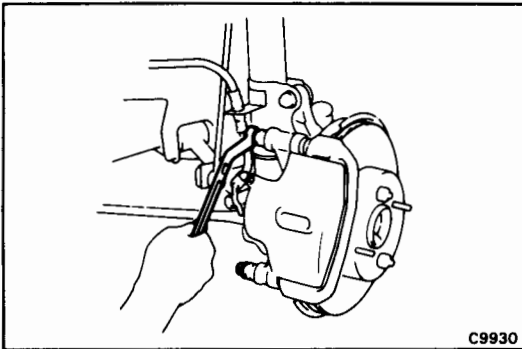


## REMOVAL OF CYLINDER

(See page BR-18)

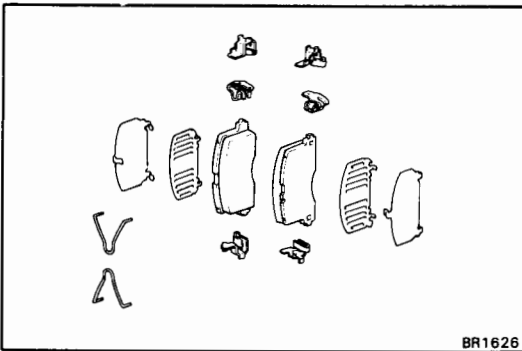
### 1. DISCONNECT BRAKE LINE

Remove the union bolt and disconnect the brake line. Use a container to catch the brake fluid.

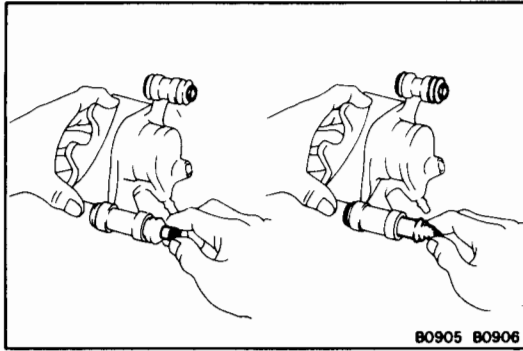


### 2. REMOVE CYLINDER FROM TORQUE PLATE

Remove the two installation bolts and cylinder.



### 3. REMOVE PADS (See step 4 on page BR-19)

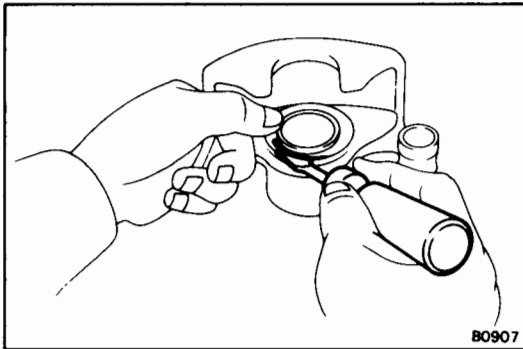


## DISASSEMBLY OF CYLINDER

(See page BR-18)

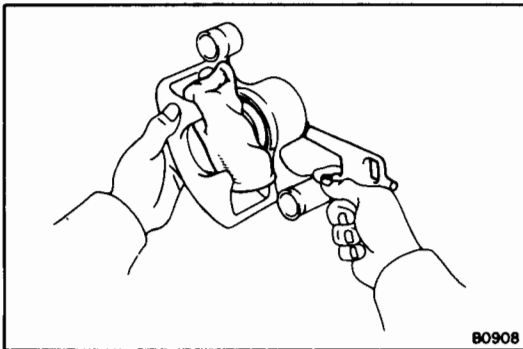
### 1. REMOVE FOLLOWING PARTS

- (a) Two cylinder sliding bushings
- (b) Four dust boots
- (c) Two collars



### 2. REMOVE CYLINDER BOOT SET RING AND CYLINDER BOOT

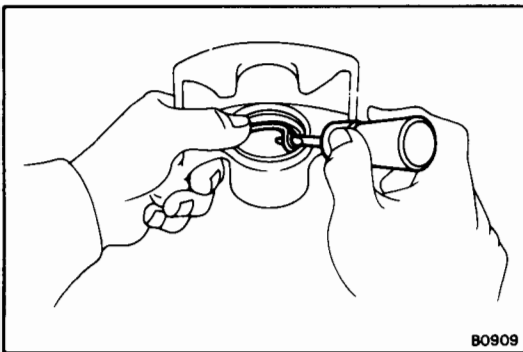
Using a screwdriver, remove the cylinder boot set ring and cylinder boot.



### 3. REMOVE PISTON FROM CYLINDER

- (a) Put a piece of cloth or such between the piston and cylinder.
- (b) Use compressed air to remove the piston from the cylinder.

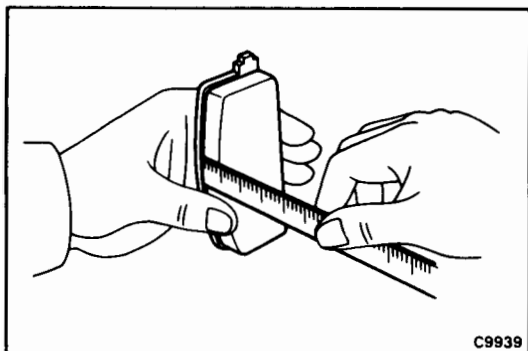
**WARNING:** Do not place your fingers in front of the piston when using compressed air.



### 4. REMOVE PISTON SEAL FROM BRAKE CYLINDER

Using a screwdriver, remove the piston seal.





C9939

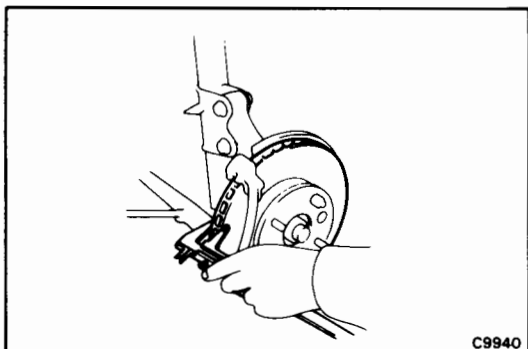
## INSPECTION AND REPAIR OF FRONT BRAKE COMPONENTS

### 1. MEASURE PAD LINING THICKNESS

**Standard thickness:** 10.0 mm (0.394 in.)

**Minimum thickness:** 3.0 mm (0.118 in.)

Replace the pad if the thickness is less than the minimum or if it shows sign of uneven wear.



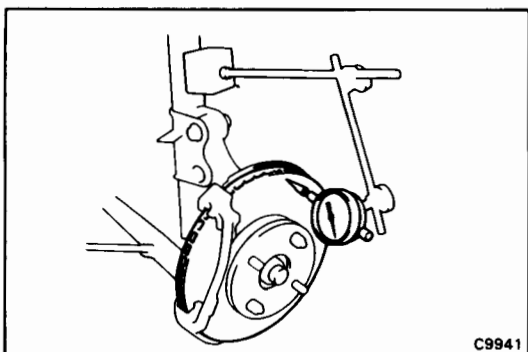
C9940

### 2. MEASURE ROTOR DISC THICKNESS

**Standard thickness:** 22.0 mm (0.866 in.)

**Minimum thickness:** 21.0 mm (0.827 in.)

If the disc is scored or worn, or if thickness is less than minimum, repair or replace the disc.



C9941

### 3. MEASURE ROTOR DISC RUNOUT

**NOTE:** Before measuring the runout, confirm that the front hub bearing play is within specification.

Measure the rotor disc runout at 10 mm (0.39 in.) from the outer edge of the rotor disc.

**Maximum disc runout:** 0.13 mm (0.0051 in.)

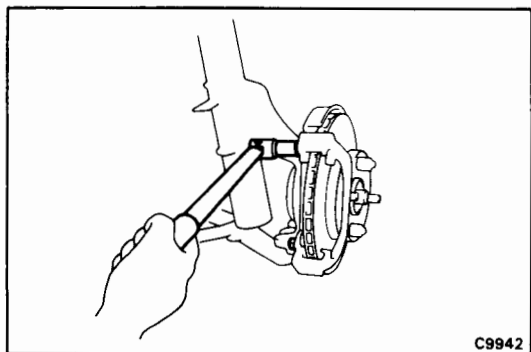
If the runout is greater than the maximum, inspect and adjust following the procedure listed below.

Then replace the disc if necessary.

- (a) Remove the torque plate from the knuckle.
- (b) Remove the hub nuts of the temporarily installed disc and pull off the rotor disc.
- (c) Check that the hub bearing play is within specification, and replace the bearing if not within specification. (See page FA-8)
- (d) Install the rotor disc and measure the disc runout, then shift the rotor disc one fourth a turn and measure the disc runout. Similarly measure the runout at each position, and select the position where the runout is minimum.
- (e) In this position, if the runout is within specification, install the torque plate and torque the mounting bolts.

**Torque:** 900 kg-cm (65 ft-lb, 88 N·m)

- (f) If not within specification, replace the rotor disc, and repeat (d) and (e).

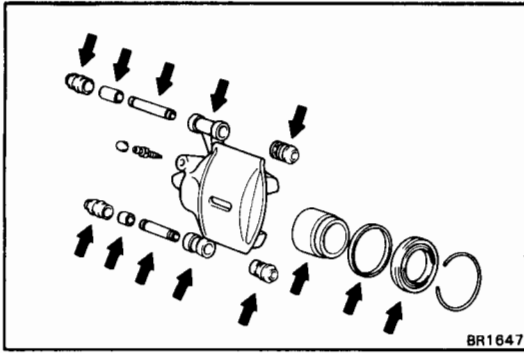


C9942

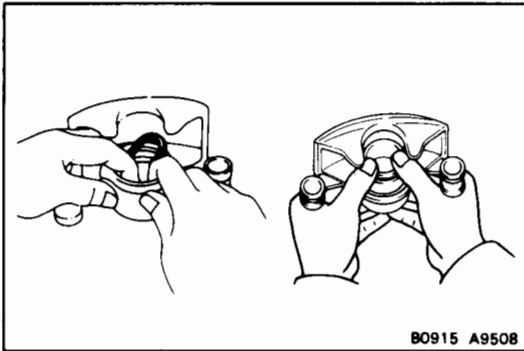
**ASSEMBLY OF CYLINDER**

(See page BR-18)

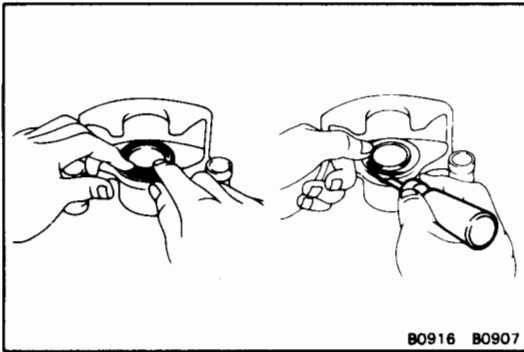
1. **APPLY LITHIUM SOAP BASE GLYCOL GREASE TO PARTS INDICATED WITH ARROWS**



2. **INSTALL PISTON SEAL AND PISTON IN CYLINDER**

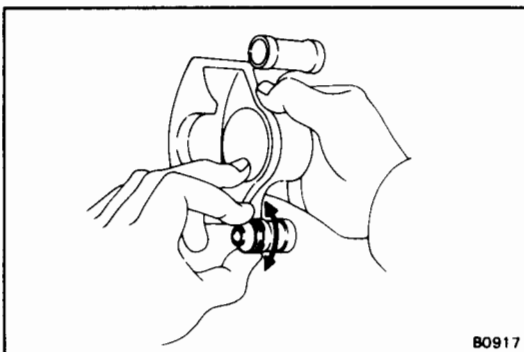


3. **INSTALL CYLINDER BOOT AND SET RING IN CYLINDER**

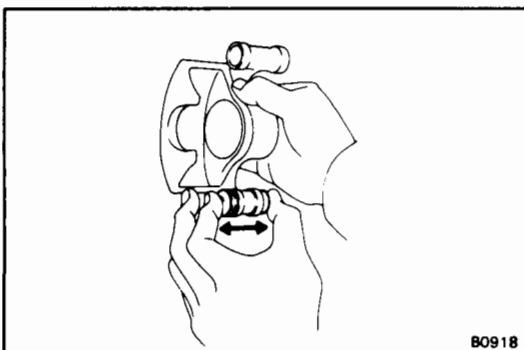


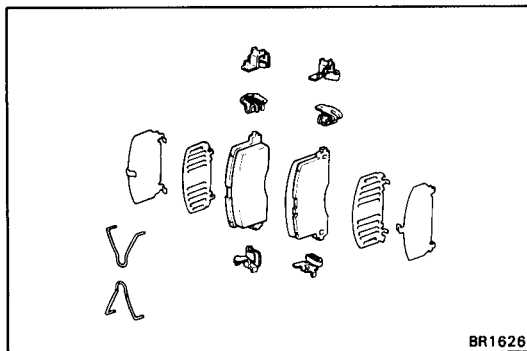
4. **INSTALL COLLAR, DUST BOOT AND CYLINDER SLIDING BUSHING**

- (a) Install the collar and dust boot into the brake cylinder.
- (b) Insure that the boot is secured firmly to the brake cylinder groove.



- (c) Install the bushing into the boot.
- (d) Insure that the boot is secured firmly to the bushing groove.

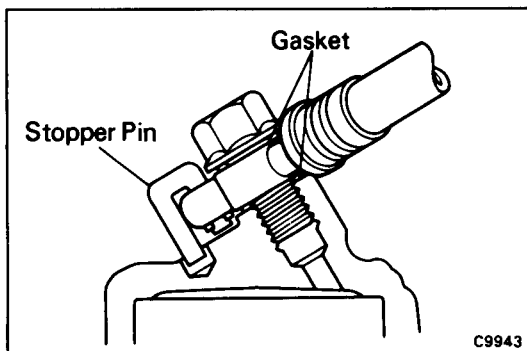




## INSTALLATION OF CYLINDER

(See page BR-18)

1. **INSTALL PADS** (See step 7 to 8 on page 19 and 20)
2. **INSTALL CYLINDER**  
(See step 10 on page BR-20)



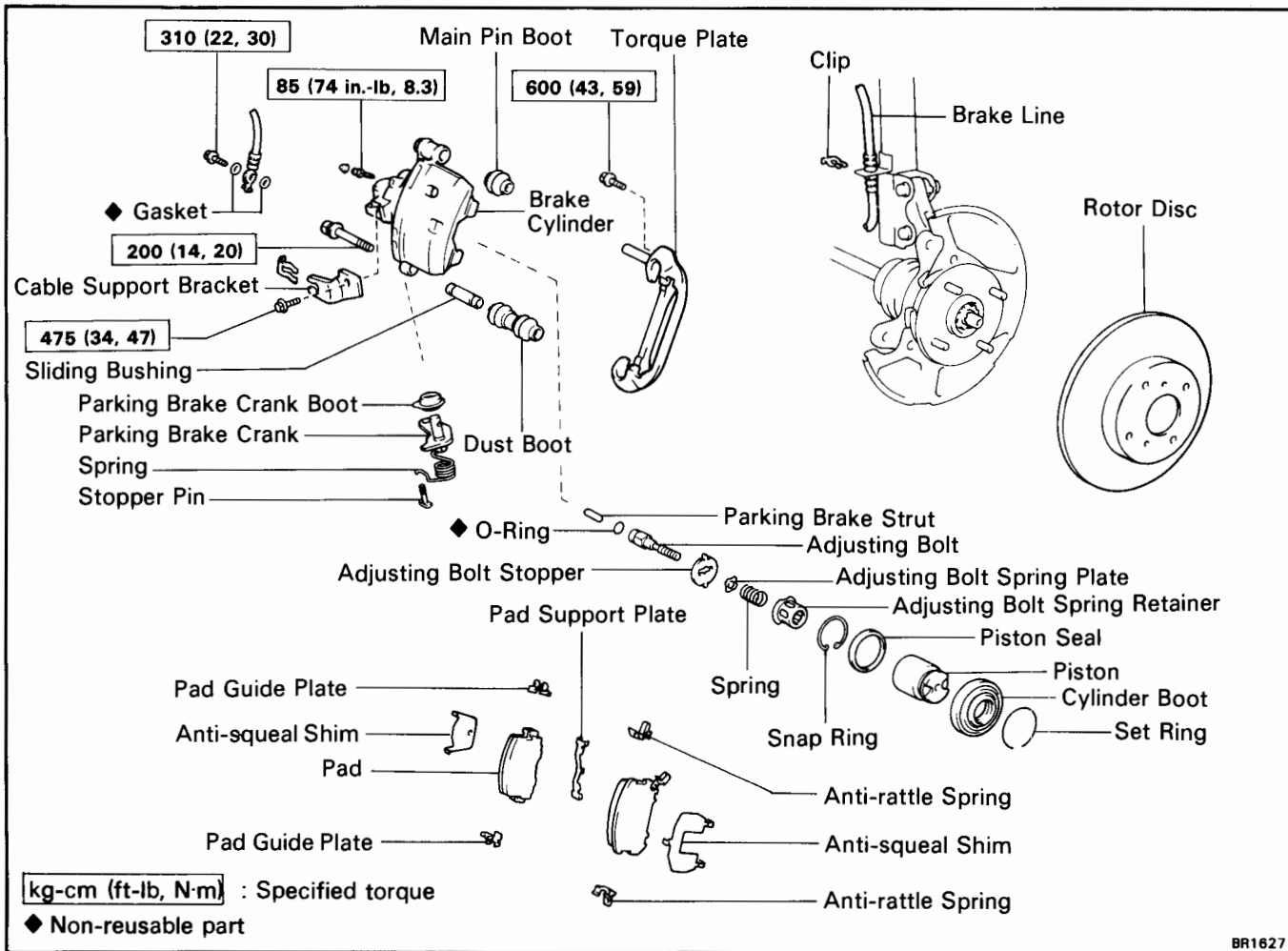
3. **INSTALL FLEXIBLE HOSE TO BRAKE CYLINDER**

Set the flexible hose and new gaskets in position and install the union bolt.

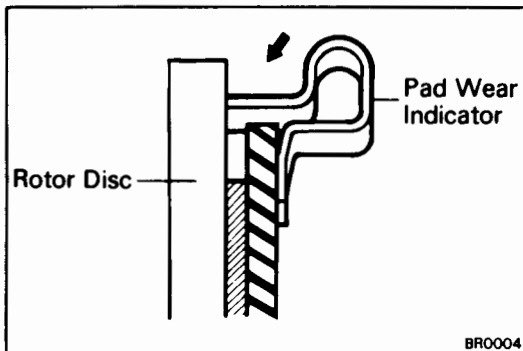
**Torque: 310 kg-cm (22 ft-lb, 30 N·m)**

4. **FILL BRAKE RESERVOIR WITH BRAKE FLUID AND BLEED BRAKE SYSTEM** (See page BR-6)
5. **CHECK FOR LEAKS**

## REAR BRAKE COMPONENTS



BR1627

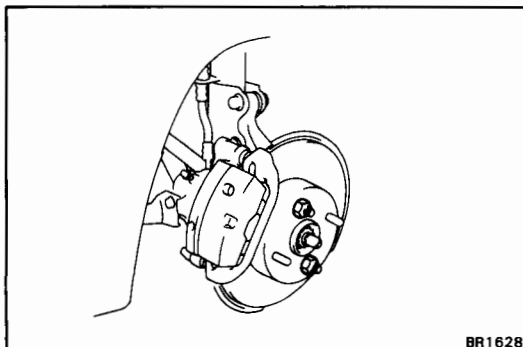


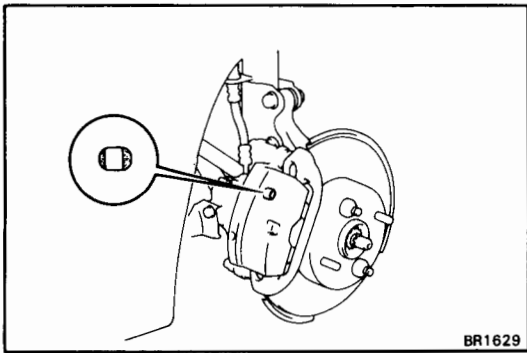
### REPLACEMENT OF BRAKE PADS

**NOTE:** If a squealing noise occurs from the rear brakes while driving, check the pad wear indicator plate. If there are traces of the indicator plate contacting the rotor disc, the brake pad should be replaced.

#### 1. REMOVE REAR WHEEL

Remove the wheel and temporarily fasten the rotor disc with the hub nuts.



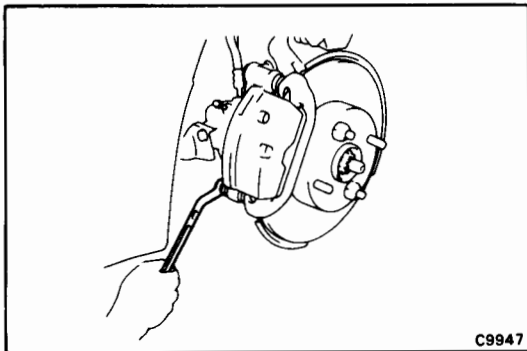


**2. INSPECT PAD LINING THICKNESS**

Check the pad thickness through the cylinder inspection hole and replace the pads if they are not within specification.

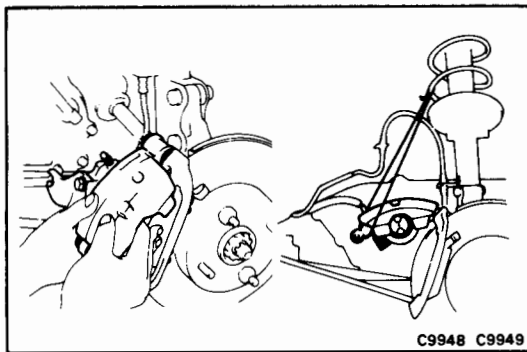
**Minimum thickness: 1.0 mm (0.039 in.)**

**3. DRAW OUT A SMALL AMOUNT OF BRAKE FLUID**



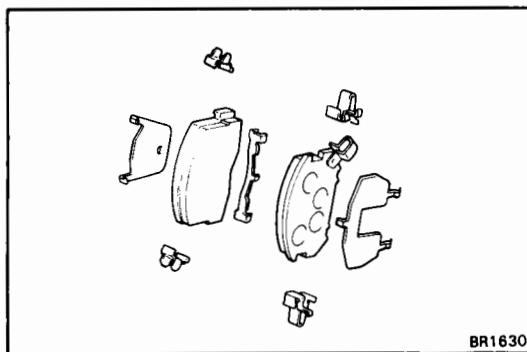
**4. REMOVE CYLINDER FROM TORQUE PLATE**

(a) Remove the installation bolt from the torque plate.



(b) Lift up the brake cylinder and suspend it.

**NOTE:** Do not remove the cylinder from the main pin, and do not disconnect the brake line.



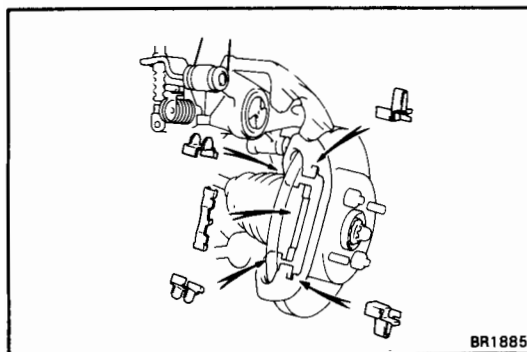
**5. REMOVE FOLLOWING PARTS:**

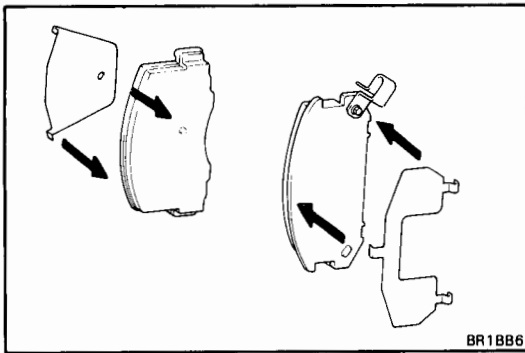
- (a) Two brake pads
- (b) Two anti-squeal shims
- (c) Two anti-rattle springs
- (d) Pad support plate
- (e) Two pad guide plates

**6. CHECK ROTOR DISC THICKNESS**  
(See step 2 on page BR-33)

**7. CHECK ROTOR DISC RUNOUT**  
(See step 3 on page BR-33)

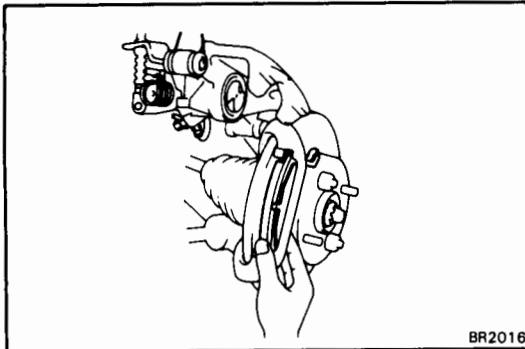
**8. INSTALL PAD SUPPORT PLATE, ANTI-RATTLE SPRINGS AND PAD GUIDE PLATES**





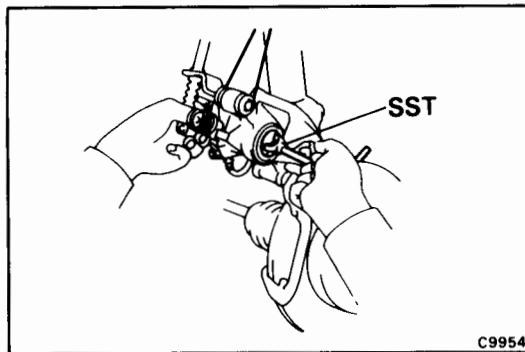
## 9. INSTALL NEW PADS AND ANTI-SQUEAL SHIMS

(a) Install the anti-squeal shims to the pads.



(b) Raise the cylinder, and install the pads to the cylinder mounting.

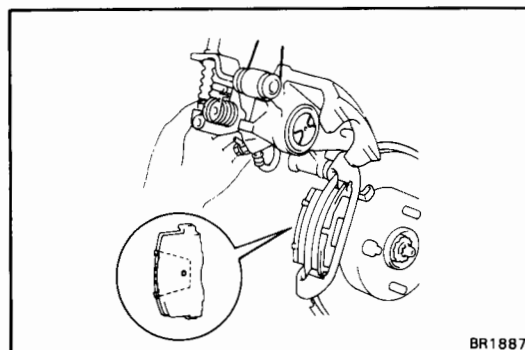
**CAUTION:** Do not allow oil or grease to get on the rubbing face.



## 10. LOWER CYLINDER

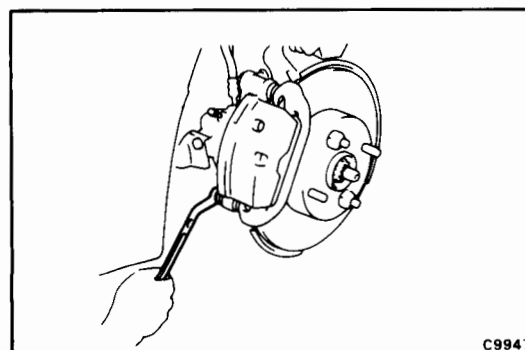
(a) Using SST, slowly turn the piston clockwise while pushing it into where it locks.

SST 09719-14020 (09719-00020)



(b) Fit the pad protrusion into the piston stopper groove, and install the cylinder.

**NOTE:** Insert the cylinder carefully so the boot is not wedged.



## 11. INSTALL CYLINDER INSTALLATION BOLT

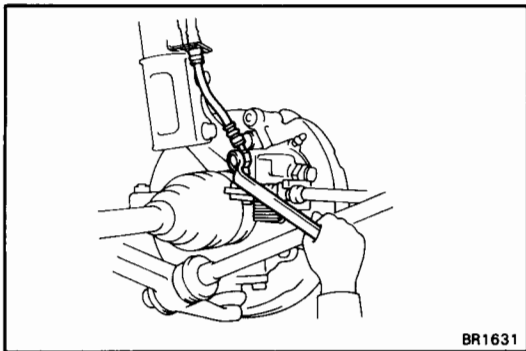
Install and torque the cylinder installation bolt.

**Torque:** 200 kg-cm (14 ft-lb, 20 N·m)

## 12. INSTALL REAR WHEEL

## 13. CHECK THAT FLUID LEVEL IS AT "MAX" LINE

## 14. ADJUST PARKING BRAKE AUTOMATIC ADJUSTER BY DEPRESSING BRAKE PEDAL FOR SEVERAL TIMES



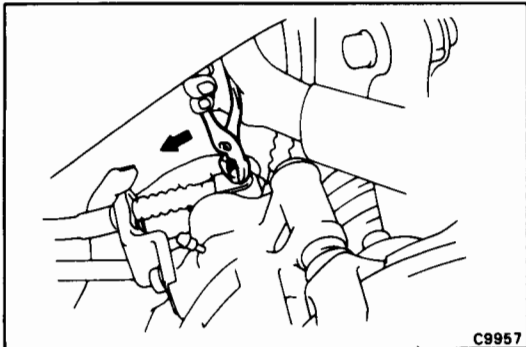
BR1631

## REMOVAL OF CYLINDER

(See page BR-26)

### 1. DISCONNECT BRAKE HOSE FROM CYLINDER

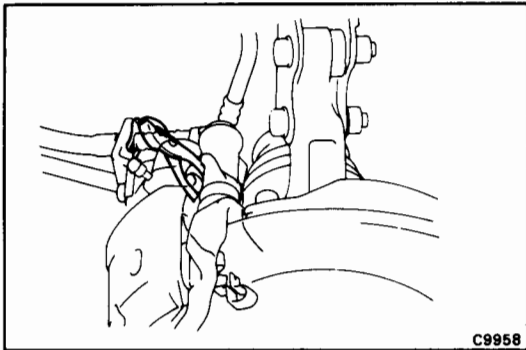
- (a) Remove the union bolt and two gaskets, and disconnect the brake hose.
- (b) Use a container to catch the brake fluid.



C9957

### 2. DISCONNECT PARKING BRAKE CABLE

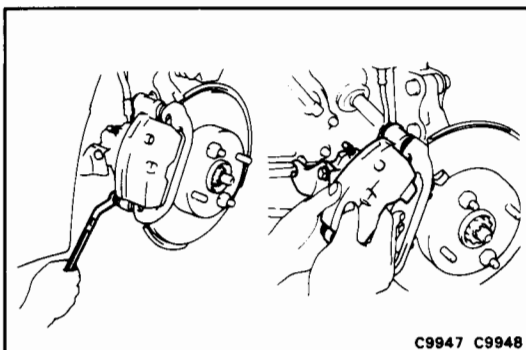
- (a) Remove the pin clip.
- (b) Pull out the hole pin while pushing the parking brake cable.



C9958

- (c) Remove the clip.

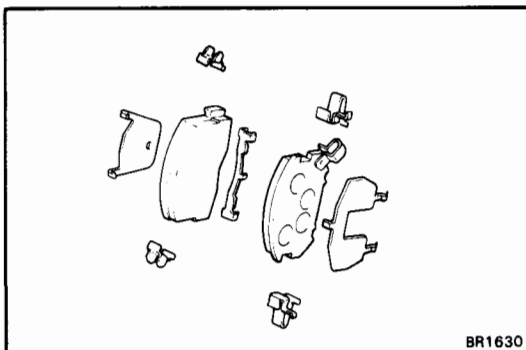
- (d) Remove the parking brake cable from the cable support bracket.



C9947 C9948

### 3. REMOVE CYLINDER

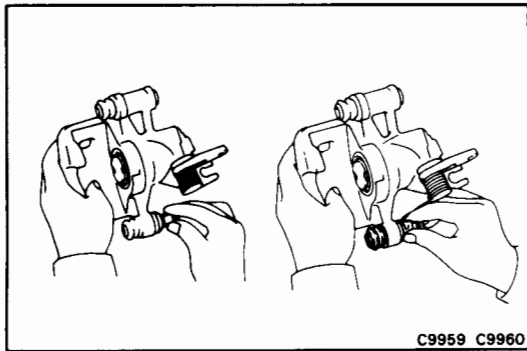
Remove the installation bolt, and remove the brake cylinder.



BR1630

### 4. REMOVE PADS

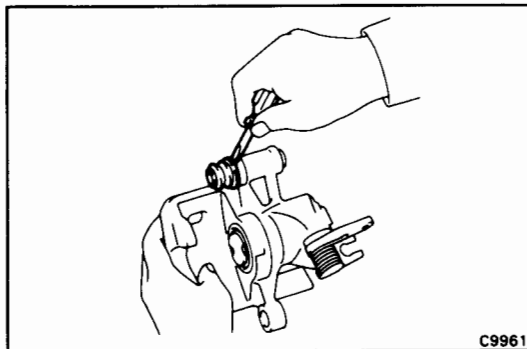
(See step 5 on page BR-27)



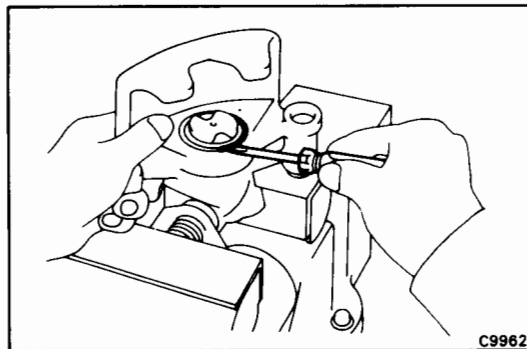
## DISASSEMBLY OF CYLINDER

(See page BR-26)

### 1. REMOVE SLIDING BUSHING AND BOOT

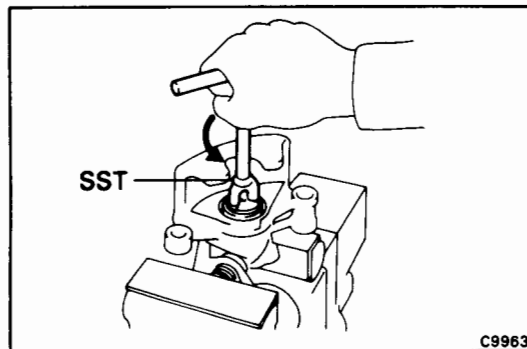


### 2. REMOVE MAIN PIN BOOT



### 3. REMOVE CYLINDER BOOT SET RING AND CYLINDER BOOT

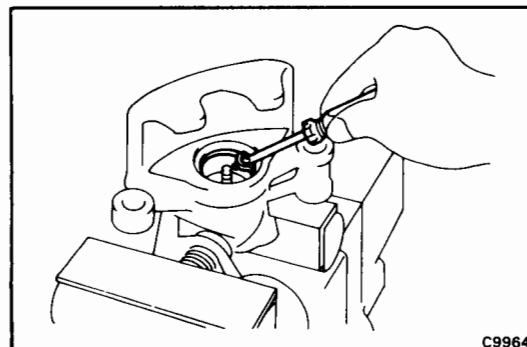
Using a screwdriver, remove the cylinder boot set ring and cylinder boot.



### 4. REMOVE PISTON FROM CYLINDER

Using SST, turn the piston counterclockwise and remove it.

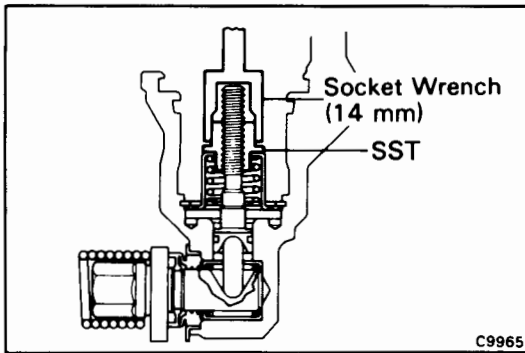
SST 09719-14020 (09719-00020)



### 5. REMOVE PISTON SEAL FROM CYLINDER

Using a screwdriver, remove the piston seal.





**6. REMOVE SNAP RING FROM CYLINDER**

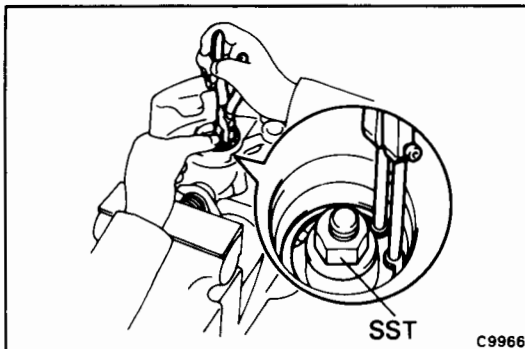
- (a) Set SST onto the adjusting bolt, and lightly tighten it with a 14 mm socket.

SST 09756-00010

**CAUTION:**

- To insure safety, always use SST as there is a possibility of the spring flying out, causing injury or damaging to the interior surface of the cylinder.
- Be careful not to tighten the SST too tightly as this may damage the spring retainer.

- (b) Using snap ring pliers, remove the snap ring from the cylinder.

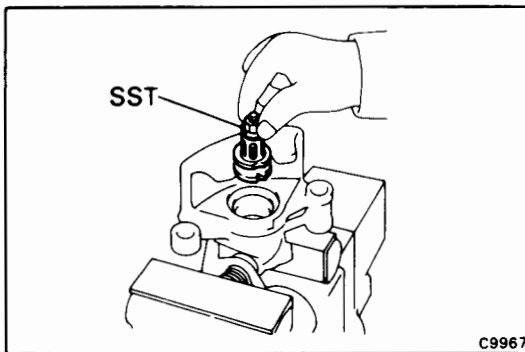


**7. REMOVE ADJUSTING BOLT**

From the cylinder, pull out the spring retainer, spring, spring plate and stopper together with the adjusting bolt.

**CAUTION:**

- Be careful not to pry too hard.
- Be careful not to damage the O-ring.



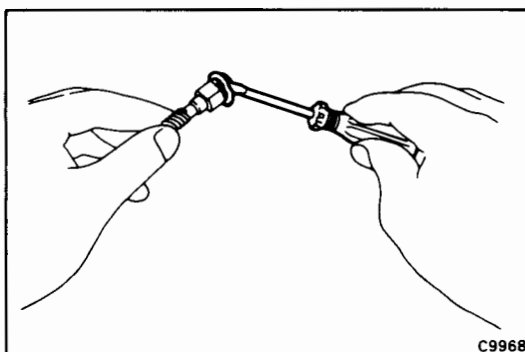
**8. DISASSEMBLE ADJUSTING BOLT**

- (a) Remove SST.

SST 09756-00010

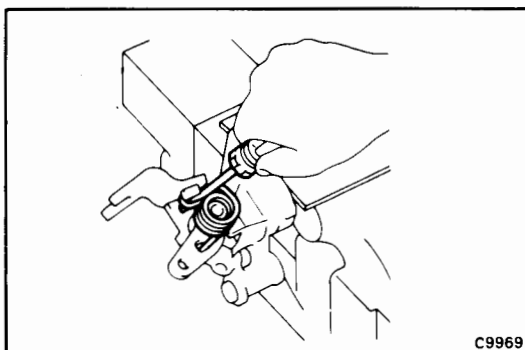
- (b) Remove the spring retainer, spring, spring plate and stopper from the adjusting bolt.

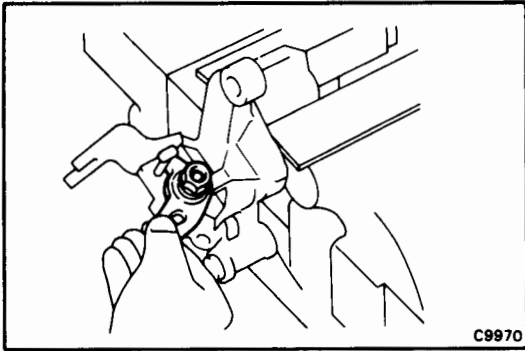
- (c) Remove the O-ring from the adjusting bolt.



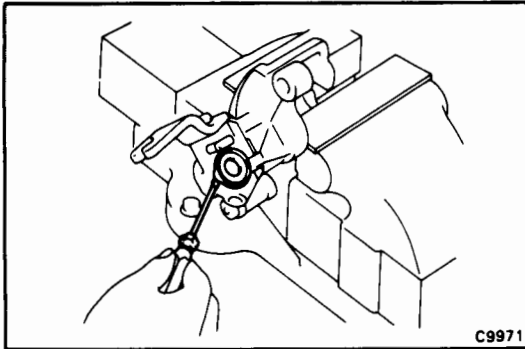
**9. REMOVE STRUT**

**10. REMOVE TORSION SPRING FROM PARKING BRAKE CRANK**





**11. REMOVE PARKING BRAKE CRANK FROM CYLINDER**

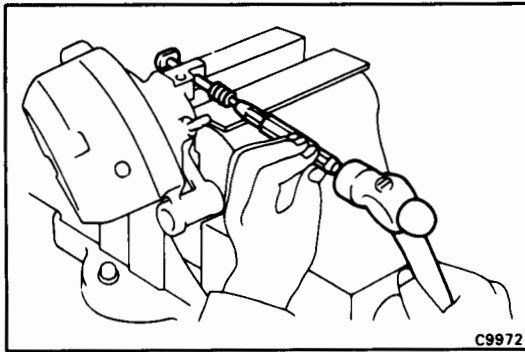


**12. REMOVE PARKING BRAKE CRANK BOOT**

Using a screwdriver, lightly tap on the metal portion of the boot and remove it.

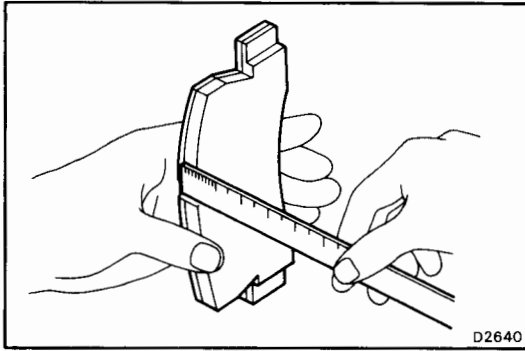
NOTE: Do not remove the boot unless replacing it.

**13. REMOVE CABLE SUPPORT BRACKET**



**14. REMOVE STOPPER PIN**

Using a pin punch, tap out the pin.



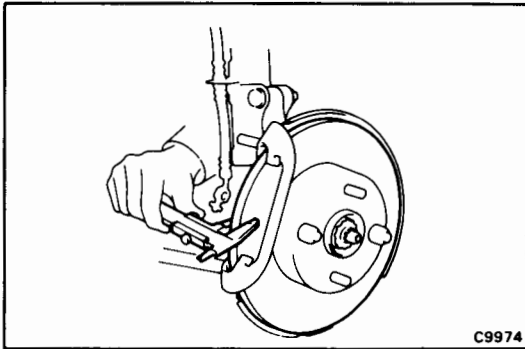
## INSPECTION OF REAR BRAKE COMPONENTS

### 1. MEASURE PAD LINING THICKNESS

**Standard thickness:** 10.0 mm (0.394 in.)

**Minimum thickness:** 1.0 mm (0.039 in.)

Replace the pad if the thickness is less than the minimum or if it shows sign of uneven wear.

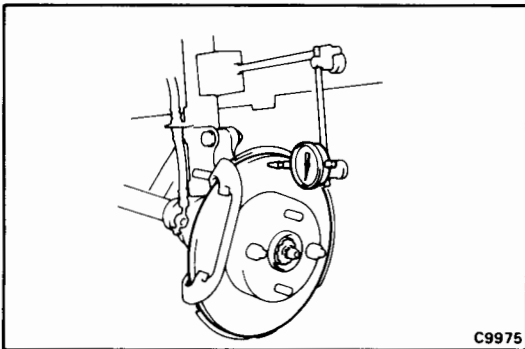


### 2. MEASURE ROTOR DISC THICKNESS

**Standard thickness:** 10.0 mm (0.394 in.)

**Minimum thickness:** 9.0 mm (0.354 in.)

If the disc is scored or worn, or if thickness is less than minimum, repair or replace the disc.

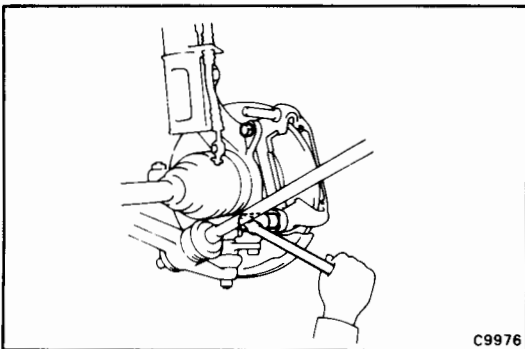


### 3. MEASURE ROTOR DISC RUNOUT

Measure the rotor disc runout at 10 mm (0.39 in.) from the outer edge of the rotor disc.

**Maximum disc runout:** 0.15 mm (0.0059 in.)

If the runout is greater than the maximum, replace the disc.



### 4. IF NECESSARY, REPLACE ROTOR DISC

(a) Remove the disc brake cylinder mounting from the dust cover.

(b) Remove the hub nuts and rotor disc.

(c) Install a new rotor disc and temporarily fasten the disc with hub nuts.

(d) Install the torque plate to the rear axle carrier.

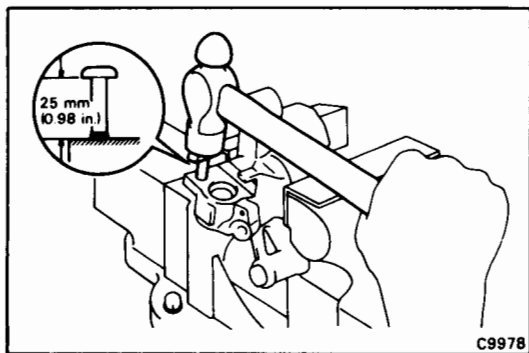
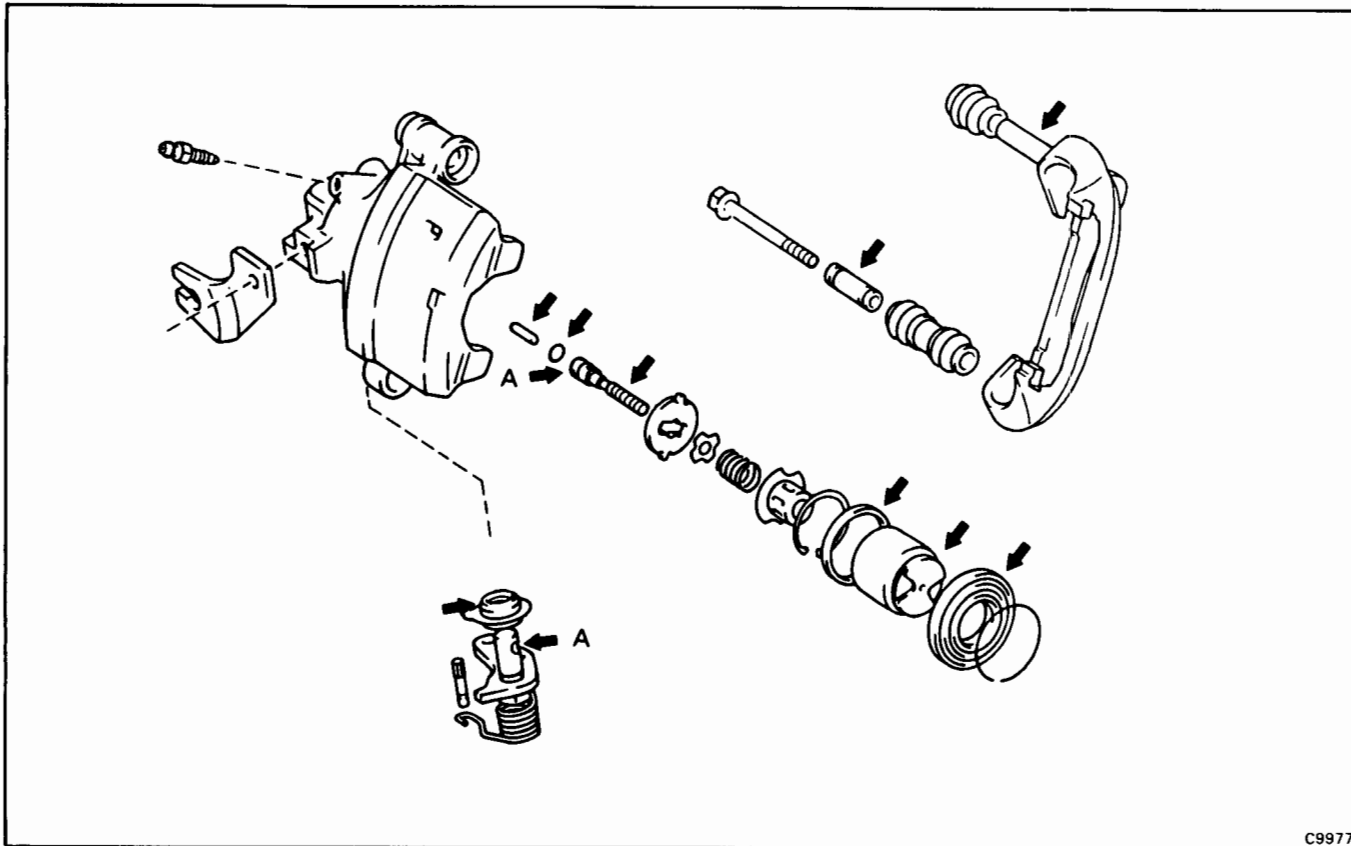
**Torque:** 600 kg-cm (43 ft-lb, 59 N·m)

## ASSEMBLY OF CYLINDER

(See page BR-26)

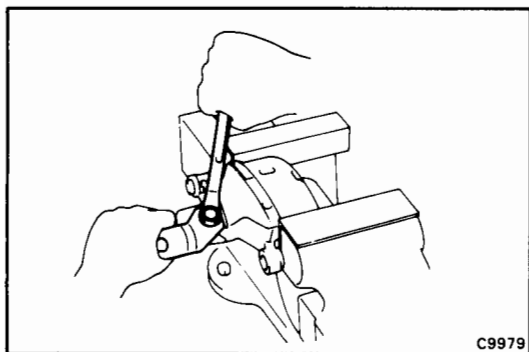
1. APPLY LITHIUM SOAP BASE GLYCOL GREASE TO PARTS INDICATED BY ARROWS

NOTE: Pack the lithium soap base glycol grease into areas marked "A".



2. INSTALL STOPPER PIN

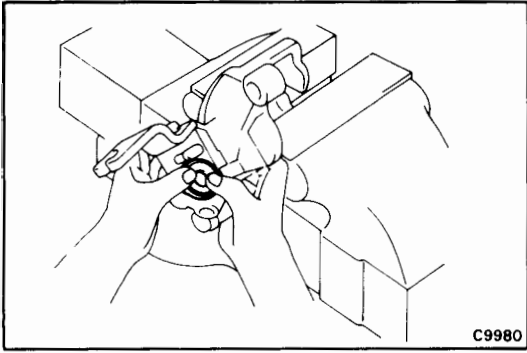
Tap in the pin to the brake cylinder until the stopper pin extends 25 mm (0.98 in.).



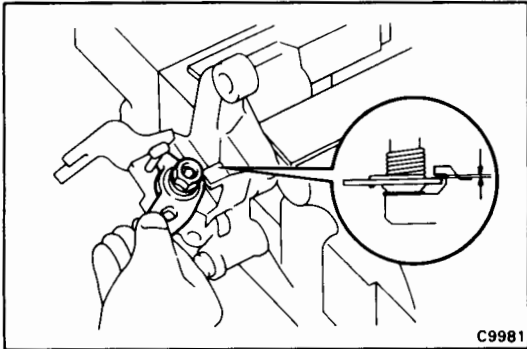
3. INSTALL CABLE SUPPORT BRACKET

Press the surface of the support bracket flush against the cylinder wall and tighten the bolt.

Torque: 475 kg-cm (34 ft-lb, 47 N·m)

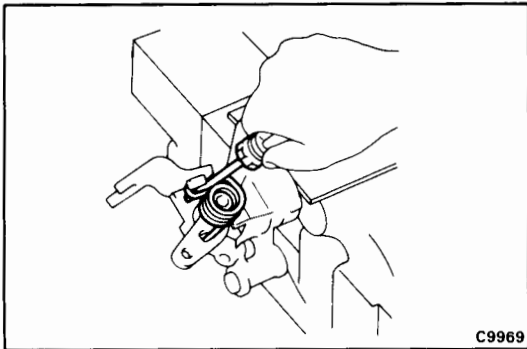


4. **INSTALL PARKING BRAKE CRANK BOOT IN CYLINDER**



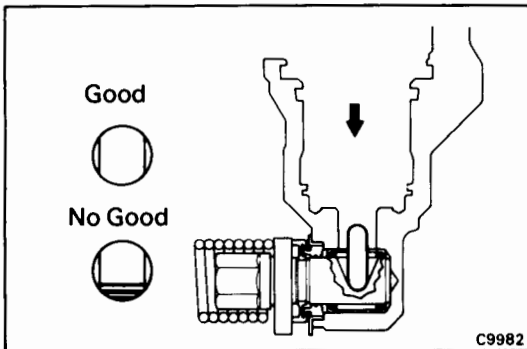
5. **INSTALL PARKING BRAKE CRANK IN CYLINDER**  
**CAUTION:** Securely match the crank boot with the groove of the crank seal.

6. **CHECK THAT THERE IS CLEARANCE AS SHOWN IN FIGURE**



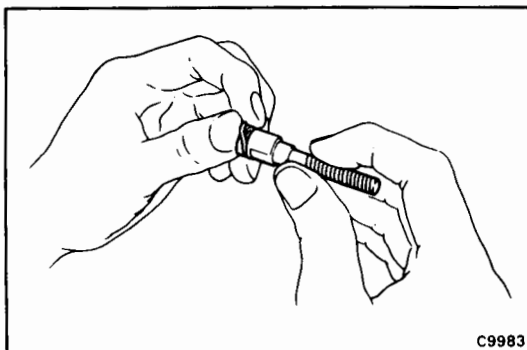
7. **INSTALL TORSION SPRING**

Install the torsion spring and check that the parking brake crank subassembly is in touch with the stopper pin.

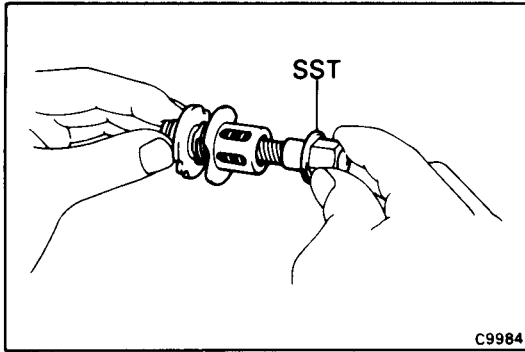


8. **INSTALL STRUT**

Before installing the strut, adjust the rollers of the needle roller bearing so they do not catch on the cylinder hole.



9. **INSTALL A NEW O-RING TO ADJUSTING BOLT**



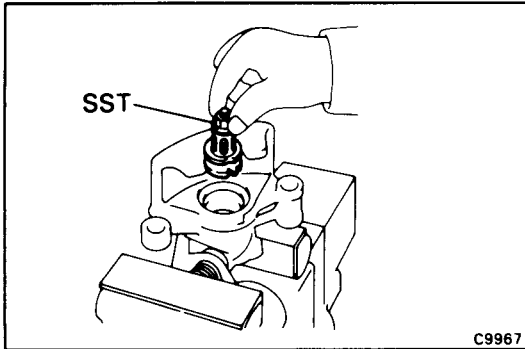
### 10. ASSEMBLE ADJUSTING BOLT

- (a) Assemble the stopper, plate, spring and spring retainer to the adjusting bolt, and using SST, fully tighten them down by hand.

SST 09756-00010

#### CAUTION:

- Position the inscribed surface of the stopper upward.
  - Align the notches of the spring case with the notches of the stopper.
- (b) Install the adjusting bolt subassembly into the cylinder.



### 11. INSTALL SNAP RING

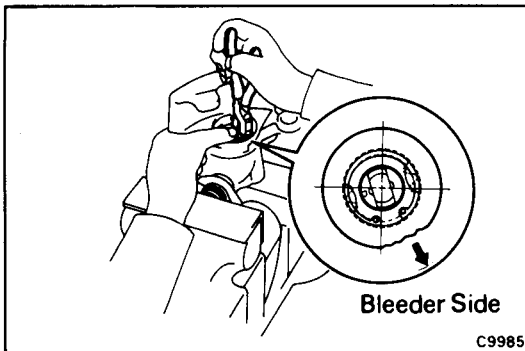
- (a) Using snap ring pliers, install the snap ring.

NOTE: Face the snap ring opening toward the bleeder side.

- (b) Remove the SST.

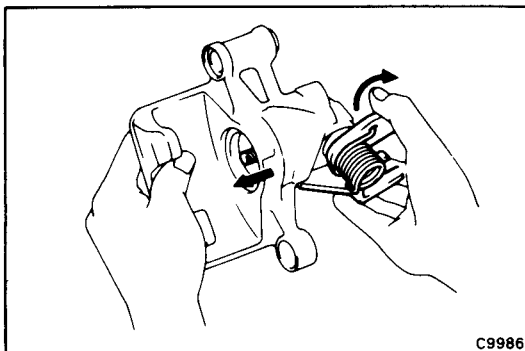
SST 09756-00010

- (c) Firmly pull up the adjusting bolt by hand and insure that it does not move.

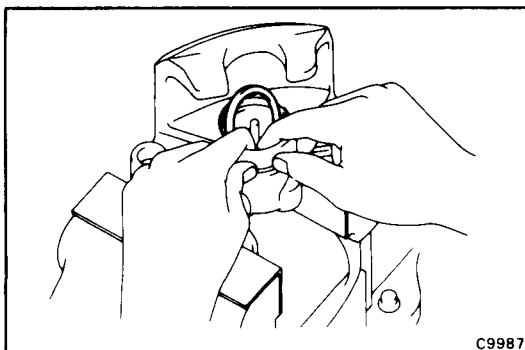


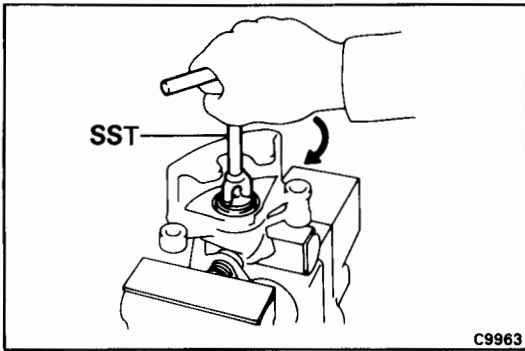
### 12. PERFORM OPERATIONAL CHECK

After performing steps 1 to 11, move the parking brake crank by hand and insure that the adjusting bolt moves smoothly.



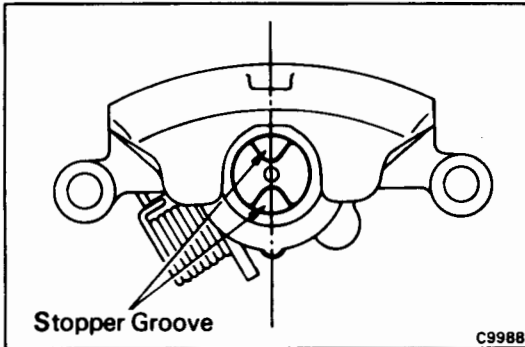
### 13. INSTALL PISTON SEAL IN CYLINDER



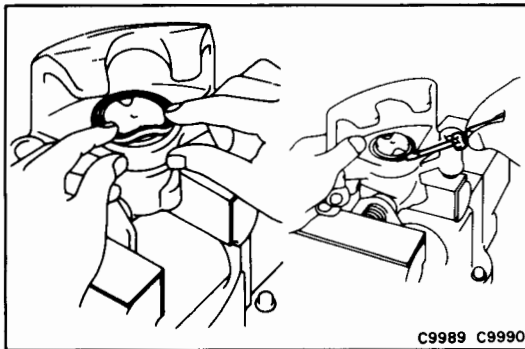
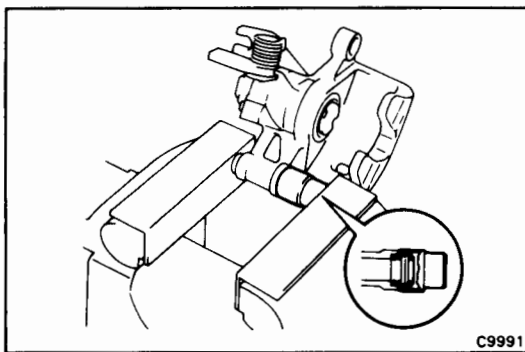
**14. ASSEMBLE PISTON IN CYLINDER**

- (a) Using SST, slowly screw in the piston clockwise until it will not descend any further.

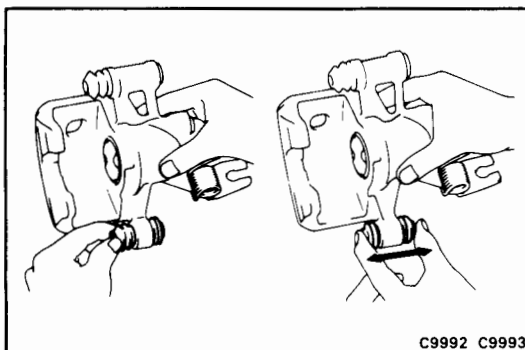
SST 09719-14020 (09719-00020)



- (b) Align the center of the piston stopper groove with the positioning protrusion of the cylinder.

**15. INSTALL CYLINDER BOOT AND SET RING IN CYLINDER****16. INSTALL MAIN PIN BOOT**

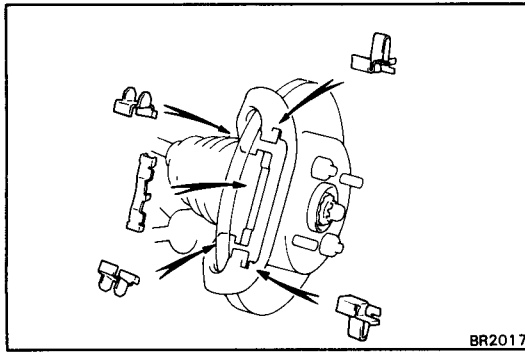
Using a 21 mm socket wrench, press in a new boot.

**17. INSTALL DUST BOOT AND SLIDING BUSHING**

- (a) Install the dust boot.

**NOTE:** Be careful that the seal does not fold under.

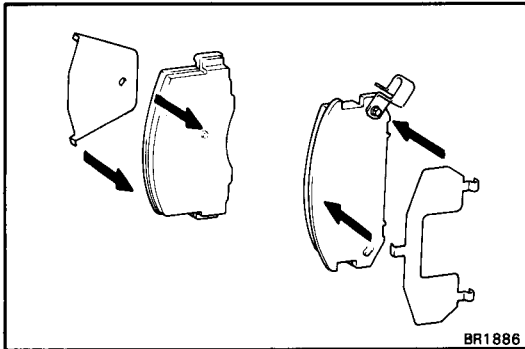
- (b) Install the bushing into the boot, with the flange facing inside.



## INSTALLATION OF CYLINDER

(See page BR-26)

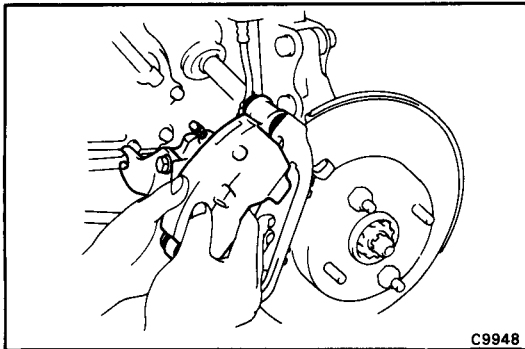
1. **INSTALL PAD SUPPORT PLATE, ANTI-RATTLE SPRINGS AND PAD GUIDE PLATES**  
(See page BR-27)



2. **INSTALL PADS AND ANTI-SQUEAL SHIMS**

- (a) Install the anti-squeal shims to the pads.
- (b) Install the pads to the cylinder mounting.

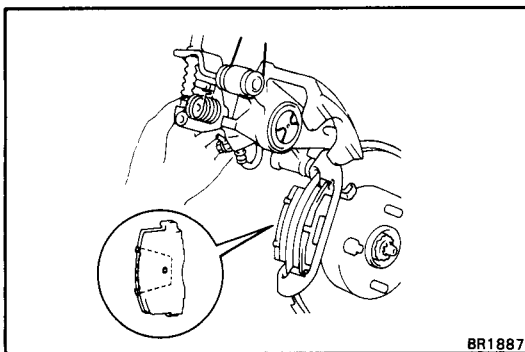
**CAUTION:** Do not allow oil or grease to get on the rubbing face.



3. **INSTALL CYLINDER**

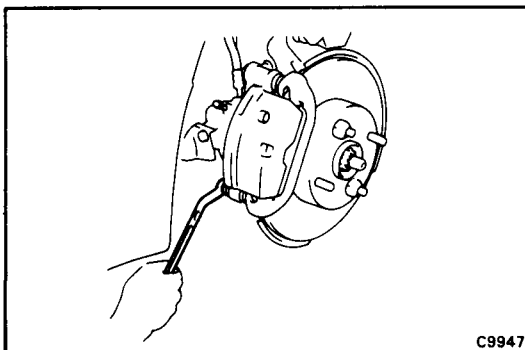
- (a) Install the cylinder onto the main pin.

**NOTE:** Make sure that the boot end is installed into the groove of the main pin.



- (b) Fit the pad protrusion into the piston stopper groove, and install the cylinder.

**NOTE:** Insert the cylinder carefully so the boot is not wedged.

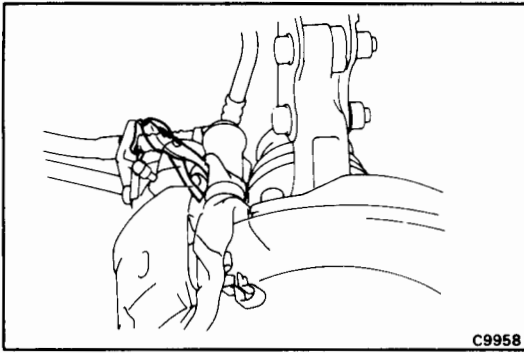


4. **INSTALL CYLINDER INSTALLATION BOLT**

Install the cylinder installation bolt and torque the bolt.

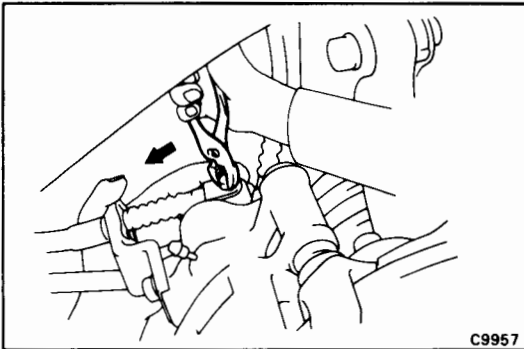
**Torque:** 200 kg-cm (14 ft-lb, 20 N·m)



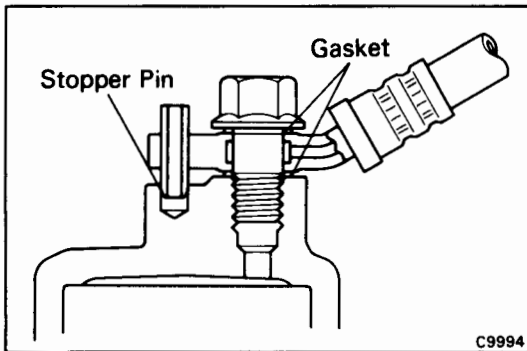


### 5. CONNECT PARKING BRAKE CABLE

- (a) Install the parking brake cable to the cable support bracket and install the retainer.



- (b) Install the hole pin while pushing the parking brake lever, and install the new clip.



### 6. CONNECT BRAKE HOSE

Install the brake hose and new gaskets in position, and tighten the union bolt.

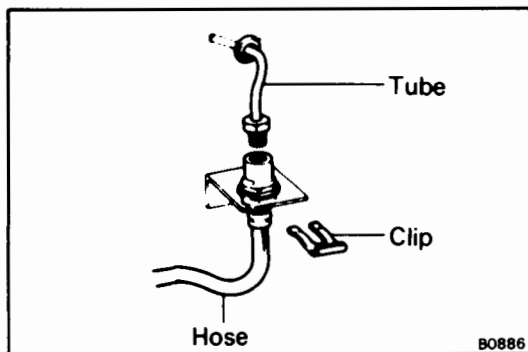
**Torque: 310 kg-cm (22 ft-lb, 30 N·m)**

### 7. FILL BRAKE RESERVOIR WITH BRAKE FLUID AND BLEED BRAKE SYSTEM (See page BR-6)

### 8. CHECK FOR FLUID LEAKAGE

### 9. ADJUST REAR BRAKE

Depress the brake pedal several times and adjust the rear brake automatically.



## BRAKE HOSES AND TUBES

### DISCONNECT AND CONNECT HOSE AND TUBE

#### 1. DISCONNECT HOSE AND TUBE

- (a) Remove the clip.
- (b) Using a wrench to hold the hose and SST to hold the tube, disconnect the tube and hose.

SST 09751-36011

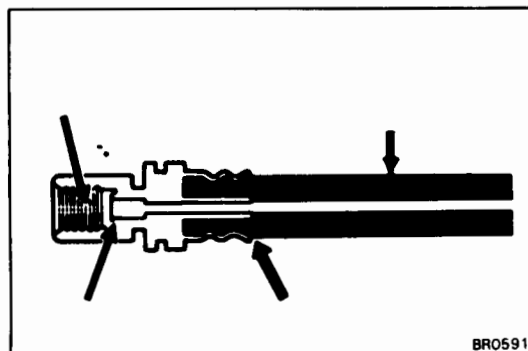
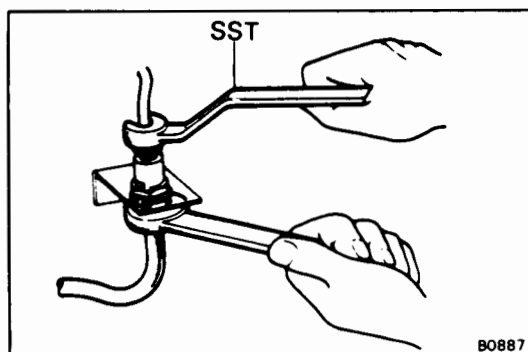
#### 2. CONNECT HOSE AND TUBE

- (a) Connect the hose and tube by hand.
- (b) Using a wrench to hold the hose and SST to hold the tube, torque the connection.

SST 09751-36011

**Torque: 155 kg-cm (11 ft-lb, 15 N·m)**

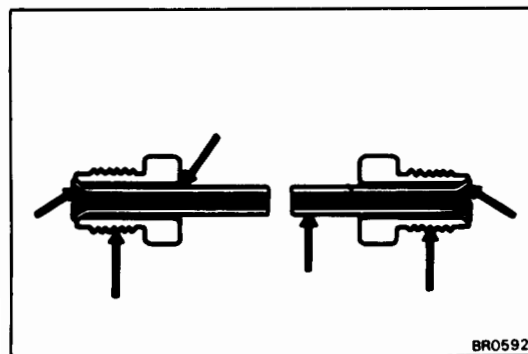
- (c) Install a hose clip.



## INSPECTION OF BRAKE HOSES AND TUBES

#### 1. INSPECT BRAKE HOSES

- (a) Inspect the hose for damage, cracks or swelling.
- (b) Inspect the threads for damage.



#### 2. INSPECT BRAKE TUBES

- (a) Inspect the tube for damage, cracks, dents or corrosion.
- (b) Inspect the threads for damage.

# STEERING

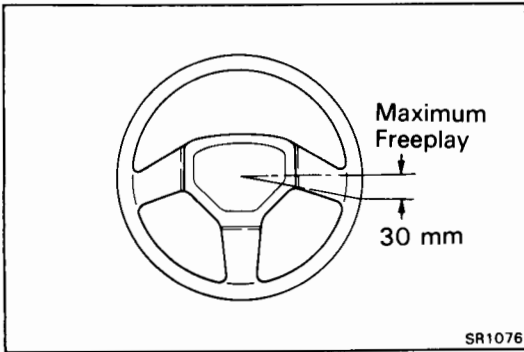
	Page
PRECAUTIONS .....	SR-2
TROUBLESHOOTING .....	SR-2
ON-VEHICLE INSPECTION .....	SR-3
STEERING COLUMN ASSEMBLY .....	SR-3
STEERING GEAR HOUSING .....	SR-14

## PRECAUTIONS

Care must be taken to replace parts properly because they could affect the performance of the steering system and result in a driving hazard.

## TROUBLESHOOTING

Problem	Possible cause	Remedy	Page
Hard steering	Tires improperly inflated	Inflate tires to proper pressure	FA-3
	Insufficient lubricant	Lubricate suspension and steering linkage	
	Excessive caster	Check front wheel alignment	FA-3
	Steering system joint worn	Replace steering system joints	SR-14
	Lower arm ball joints worn	Replace lower arm ball joints	FA-20
	Steering column binding	Inspect steering column	SR-3
	Steering gear out of adjustment or broken	Adjust or repair steering gear	SR-14
Poor return	Tires improperly inflated	Inflate tires to proper pressure	FA-3
	Insufficient lubricant	Lubricate suspension and steering linkage	
	Wheel alignment incorrect	Check front wheel alignment	FA-3
	Steering column binding	Inspect steering column	SR-3
	Steering gear out of adjustment or broken	Adjust or repair steering gear	SR-14
Excessive play	Front wheel bearing worn	Replace front wheel bearing	FA-7
	Main shaft yoke or intermediate shaft yoke worn	Replace main shaft or intermediate shaft	
	Lower arm ball joints worn	Replace lower arm ball joints	FA-20
	Steering system joints worn	Replace steering system joints	SR-14
	Steering gear out of adjustment or broken	Adjust or repair steering gear	SR-14
Abnormal noise	Steering linkage loose	Tighten steering linkage	
	Steering system joints worn	Replace steering system joints	SR-14
	Steering gear out of adjustment or broken	Adjust or repair steering gear	SR-14



## ON-VEHICLE INSPECTION

### 1. CHECK THAT STEERING WHEEL FREEPLAY IS CORRECT

With the vehicle stopped and pointed straight ahead, rock the steering wheel gently back and forth with light finger pressure. Freeplay should not exceed the maximum limit.

**Maximum freeplay: 30 mm (1.18 in.)**

If excessive, repair.

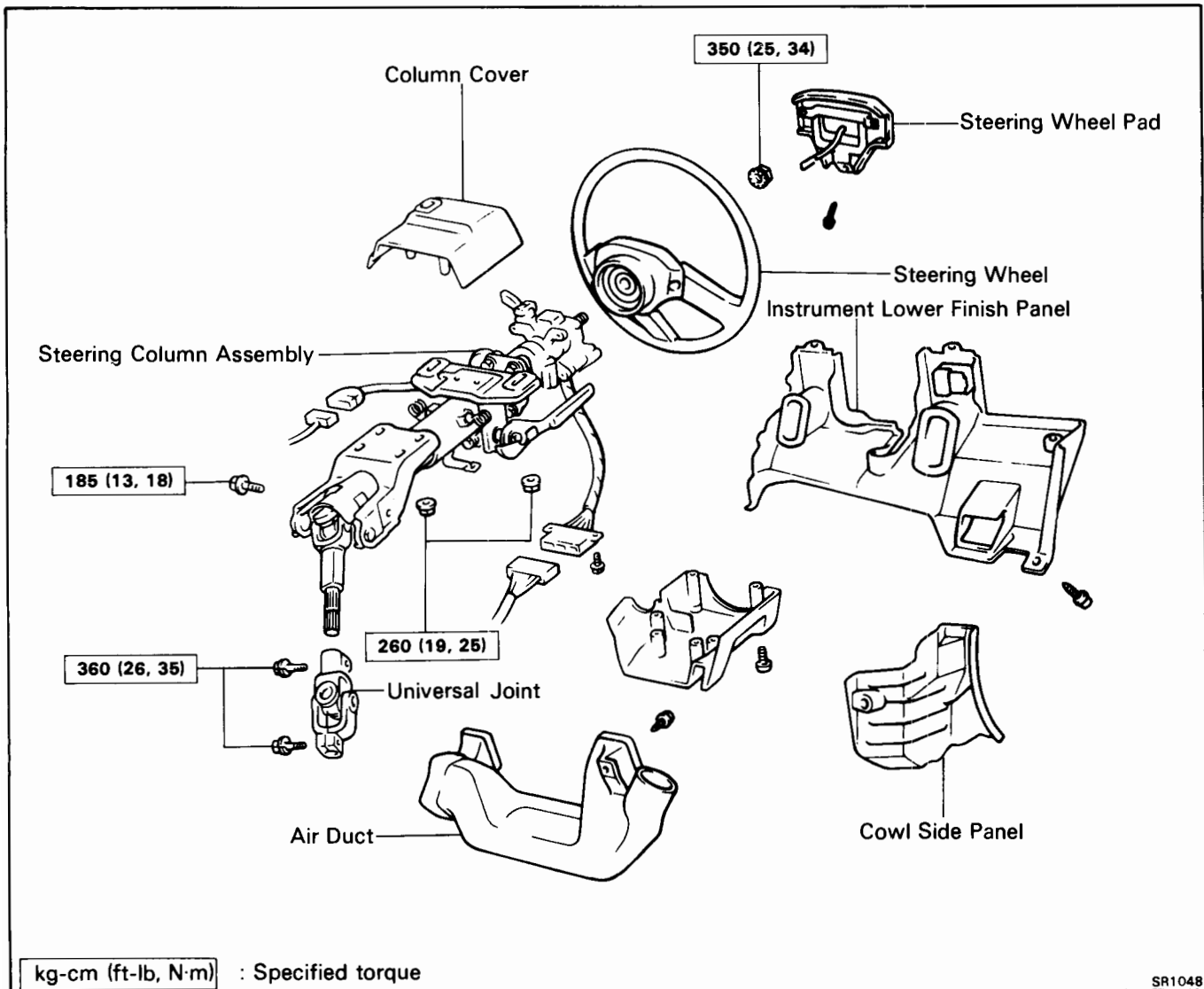
### 2. CHECK STEERING LINKAGE AND GEAR HOUSING

(a) Check the steering linkage for looseness or damage. Also check that:

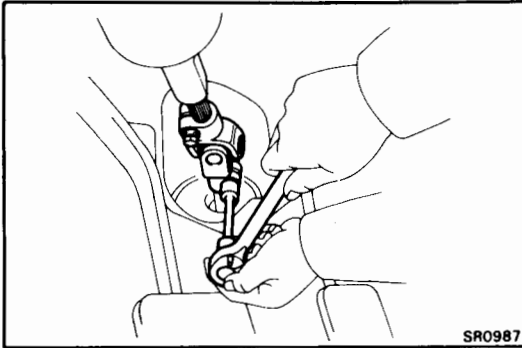
- The tie rod ends do not have excessive play.
- The boots are not damaged.
- The boot clamps are not loose.

(b) Check gear housing for grease leakage or oozing.

## STEERING COLUMN ASSEMBLY REMOVAL OF STEERING COLUMN ASSEMBLY

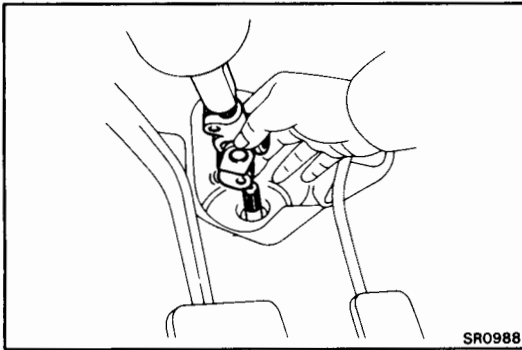


### 1. DISCONNECT NEGATIVE CABLE FROM BATTERY



### 2. REMOVE UNIVERSAL JOINT

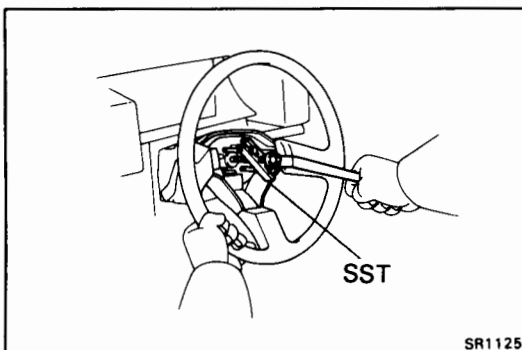
- (a) Place matchmarks on the main shaft and joint yoke.
- (b) Place matchmarks on the joint yoke and pinion shaft.
- (c) Remove the two bolts.



- (d) First pull the universal joint from the gear housing, and then pull it out from the main shaft.

### 3. REMOVE STEERING WHEEL

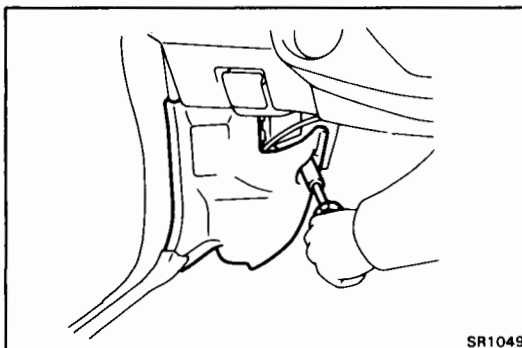
- (a) Remove the screw and disconnect the horn connector.
- (b) Pull up and remove the wheel pad.
- (c) Remove the steering wheel nut.
- (d) Place matchmarks on the main shaft and steering wheel.
- (e) Using SST, remove the steering wheel.



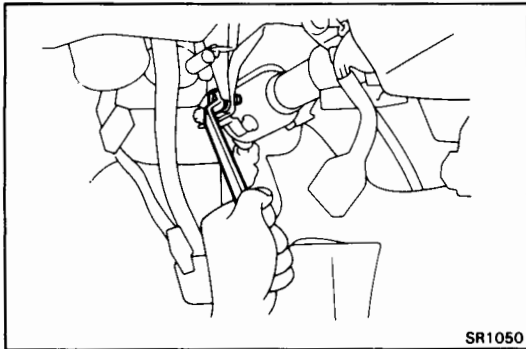
SST 09609-20011

### 4. REMOVE FOLLOWING PARTS:

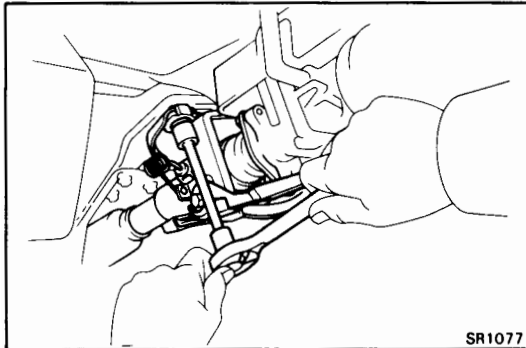
- (a) Scuff plate
- (b) Cowl side panel LH
- (c) Instrument lower finish panel
- (d) Air duct
- (e) Column lower cover



### 5. DISCONNECT IGNITION SWITCH CONNECTOR AND COMBINATION SWITCH CONNECTOR



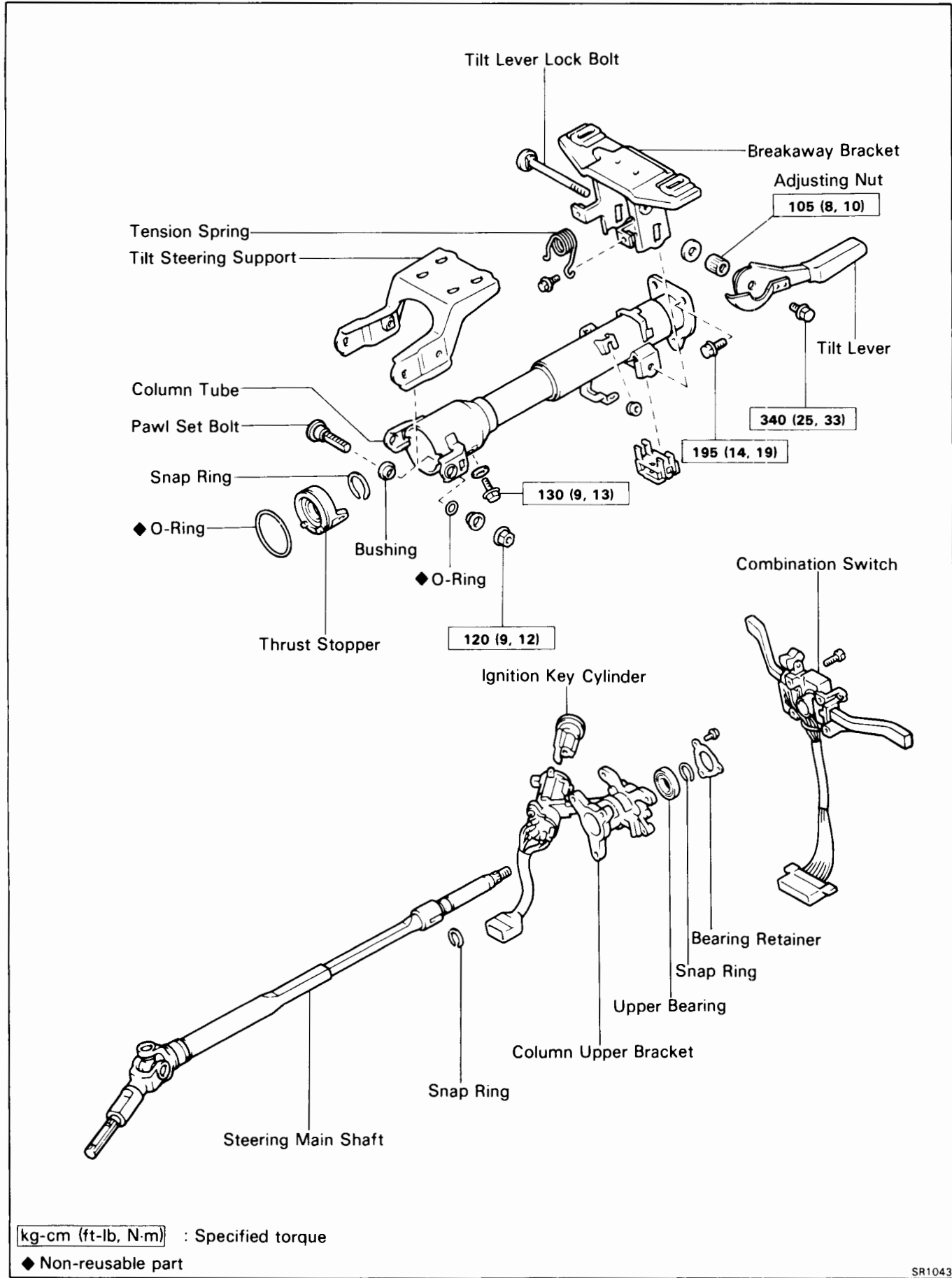
**6. REMOVE PEDAL BRACKET STAY BOLT**



**7. REMOVE STEERING COLUMN ASSEMBLY WITH COLUMN UPPER COVER**

Remove the six nuts and steering column assembly.

### COMPONENTS

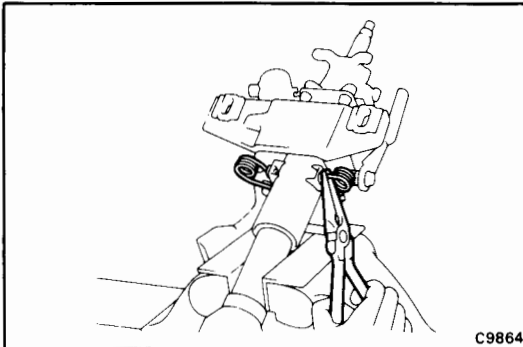




## DISASSEMBLY OF STEERING COLUMN ASSEMBLY

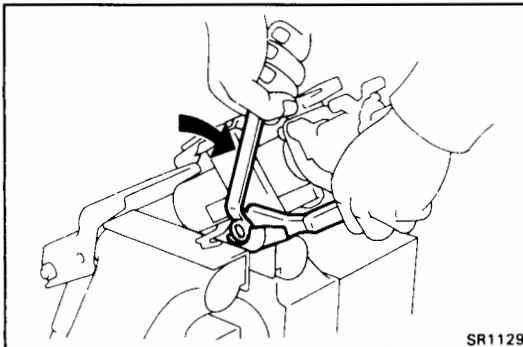
### 1. REMOVE COMBINATION SWITCH

- (a) Remove the clamp.
- (b) Remove the two screws from the connector.
- (c) Remove the four screws and combination switch.



### 2. REMOVE TENSION SPRINGS AND GROMMETS

- (a) Pull down the tension springs, and remove the grommets.
- (b) Remove the bolts and springs.

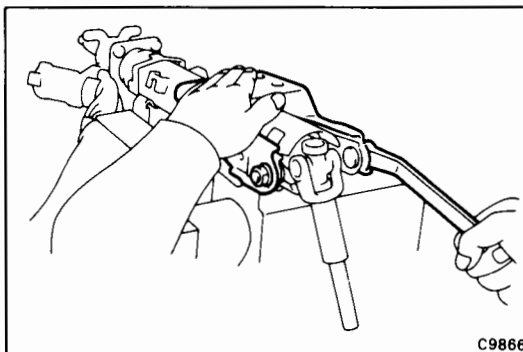


### 3. REMOVE BREAKAWAY BRACKET

- (a) Remove the set bolt and tilt lever.

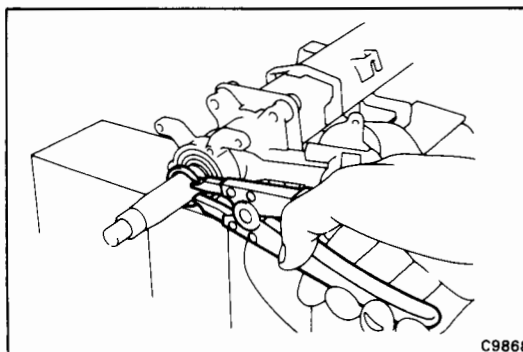
NOTE: The bolt has LH threads.

- (b) Remove the adjusting nut and washer, and pull out the lock bolt.
- (c) Remove the two screws and breakaway bracket.



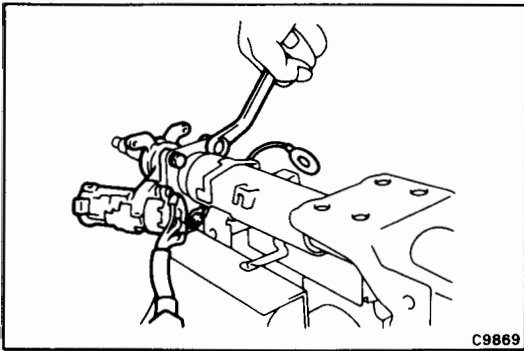
### 4. REMOVE TILT STEERING SUPPORT

- (a) Remove the two nuts and the pawl set bolts.
- (b) Remove the bushings, O-rings and tilt steering support.

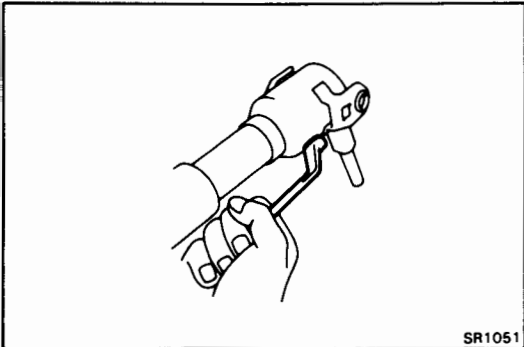


### 5. REMOVE UPPER BRACKET FROM MAIN SHAFT

- (a) Remove the three screws and retainer from the upper bracket.
- (b) Using snap ring pliers, remove the snap ring.
- (c) Release the steering lock.

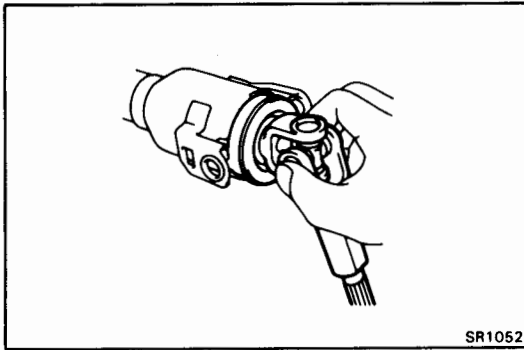


- (d) Loosen the broken down bolt by tapping the chisel.
- (e) Remove the three bolts, and separate the upper bracket and column tube.

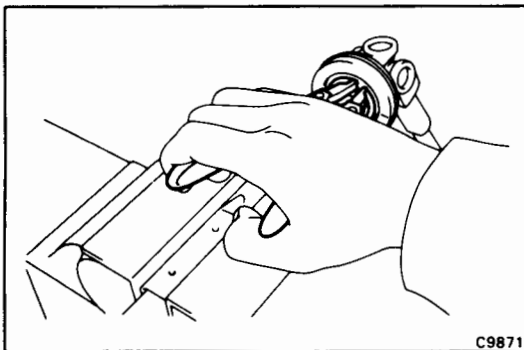


## 6. REMOVE MAIN SHAFT FROM COLUMN TUBE

- (a) Remove the two bolts.

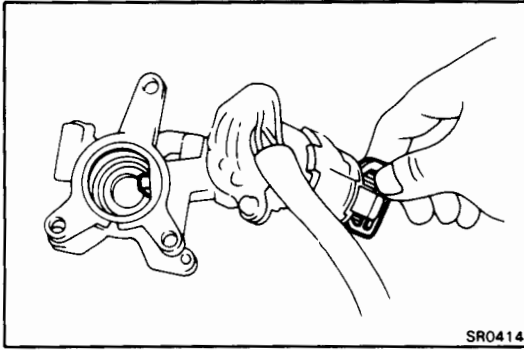


- (b) Pull out the main shaft from the column tube.



## 7. REMOVE THRUST STOPPER ASSEMBLY

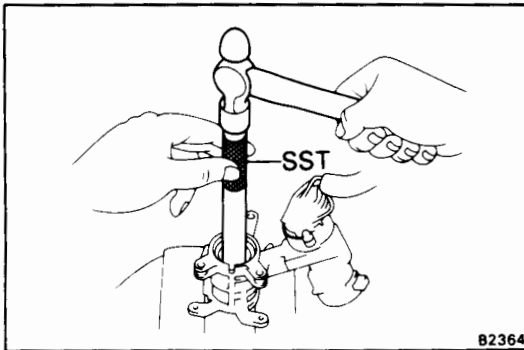
- (a) Using snap ring pliers, remove the snap ring.
- (b) Remove the thrust stopper assembly.



## INSPECTION AND REPAIR OF STEERING COLUMN ASSEMBLY

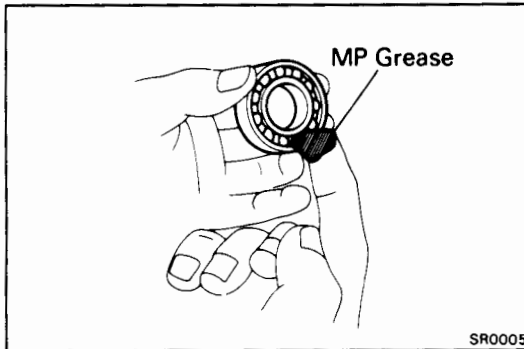
### 1. INSPECT UPPER BRACKET

- (a) Check that the steering lock mechanism operates properly.
- (b) Check the upper bearing rotation condition and check for abnormal noise.

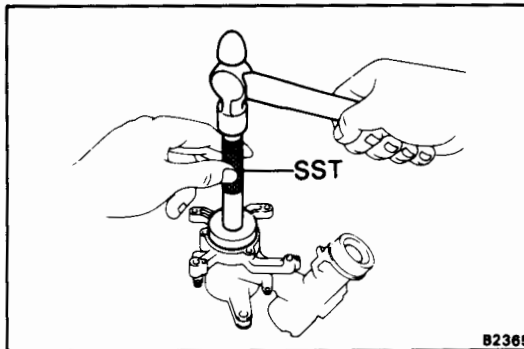


### 2. IF NECESSARY, REPLACE UPPER BEARING

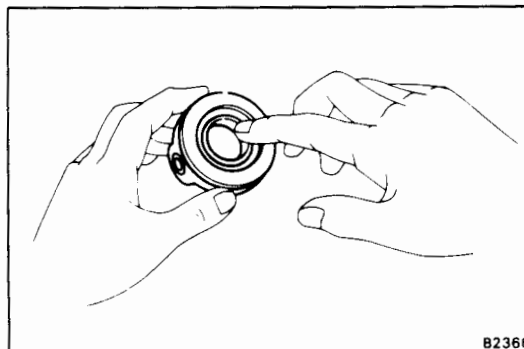
- (a) Using SST, tap out the bearing.  
SST 09620-30010 (09631-00020, 09627-30010)



- (b) Pack a new bearing with MP grease.

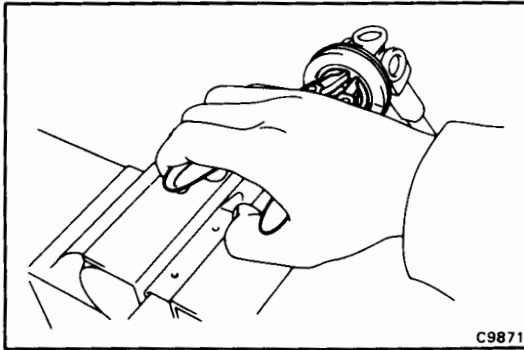


- (c) Using SST, tap in the new bearing.  
SST 09620-30010 (09631-00020, 09625-30010)



### 3. INSPECT LOWER BEARING

- Check the bearing rotation condition and check for abnormal noise.
- If faulty, replace the thrust stopper assembly.



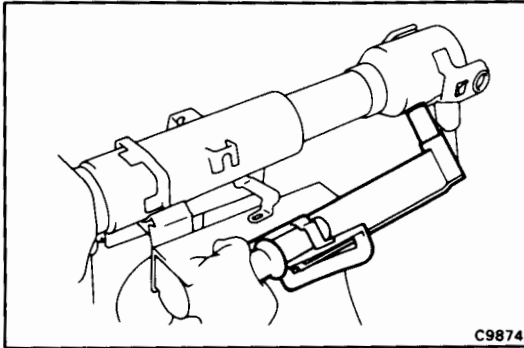
C9871

## ASSEMBLY OF STEERING COLUMN ASSEMBLY

(See page SR-6)

### 1. INSTALL THRUST STOPPER ASSEMBLY

- (a) Install the thrust stopper assembly.
- (b) Using snap ring pliers, install the snap ring.

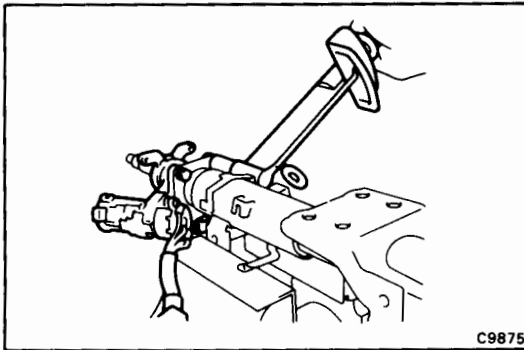


C9874

### 2. INSTALL MAIN SHAFT TO COLUMN TUBE

- (a) Apply molybdenum disulphide lithium base grease to the thrust stopper.
- (b) Install the main shaft and torque the bolts.

**Torque: 130 kg-cm (9 ft-lb, 13 N·m)**

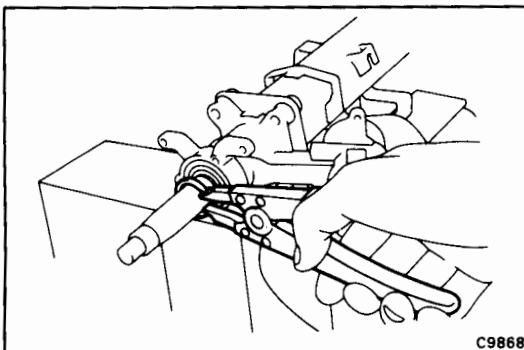


C9875

### 3. INSTALL UPPER BRACKET TO MAIN SHAFT

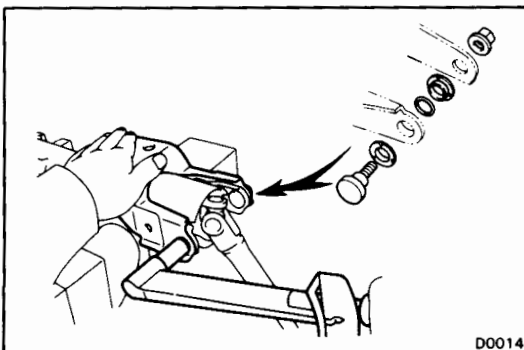
- (a) Release the steering lock.
- (b) Install the upper bracket.
- (c) Torque the three bolts.

**Torque: 195 kg-cm (14 ft-lb, 19 N·m)**



C9868

- (d) Using snap ring pliers, install the snap ring.
- (e) Install the retainer to the upper bracket with the three screws.



D0014

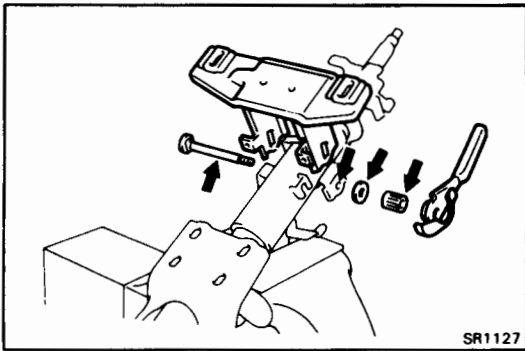
### 4. INSTALL TILT STEERING SUPPORT

- (a) Apply molybdenum disulphide lithium base grease to the bushings, O-rings and install the two bushings to the column tube.
- (b) Install the tilt steering support and pawl set bolts with bushings and O-rings.

**NOTE:** Be careful not to damage the bushing and O-ring.

- (c) Torque the nuts.

**Torque: 120 kg-cm (9 ft-lb, 12 N·m)**

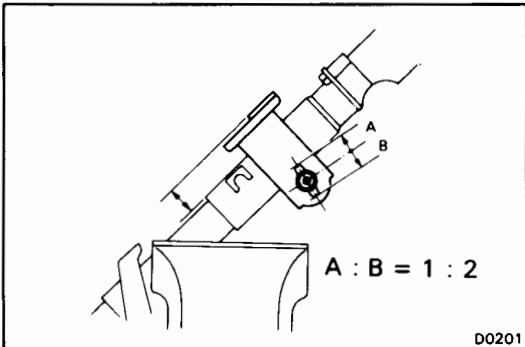


### 5. INSTALL BREAKAWAY BRACKET

- (a) Apply molybdenum disulfide lithium base grease to the portions indicated by the arrows.
- (b) Install the breakaway bracket, two screws and lock bolt.
- (c) Install the washer and adjusting nut, and tighten the nut by the tilt lever.

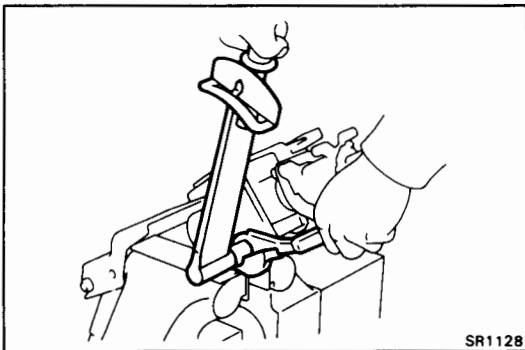
**Torque: 105 kg-cm (8 ft-lb, 10 N·m)**

**NOTE:** The adjusting nut has LH threads.



- (d) Adjust the lock bolt so that it is positioned 2/3 of the way up the oval hole on the bracket. Then align the top surface of the bracket with the surface of the column in parallel.

- (e) Tighten the adjusting nut onto the tilt lever.

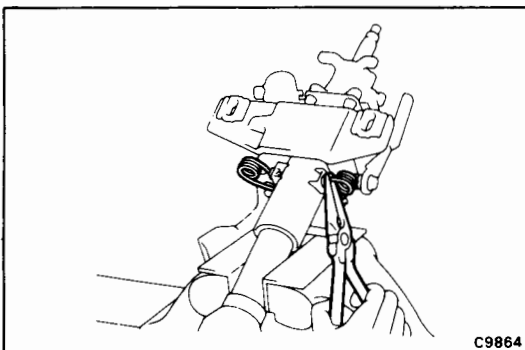


- (f) Place the tilt lever in position and torque the set bolt.

**Torque: 340 kg-cm (25 ft-lb, 33 N·m)**

**NOTE:** The bolt has LH threads.

Do not move the tilt lever before installing the steering column.

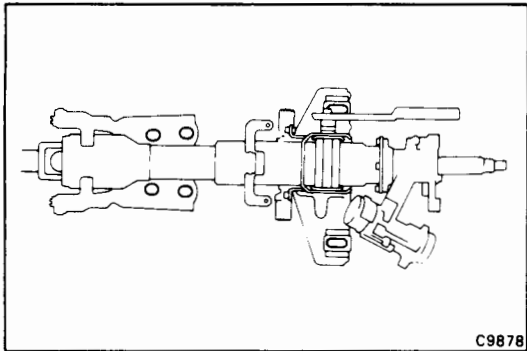


### 6. INSTALL TENSION SPRINGS AND GROMMETS

- (a) Install the bolt with spring to the bracket.
- (b) Install the grommet into the bracket.
- (c) Hook the spring into the grommet.

### 7. INSTALL COMBINATION SWITCH

- (a) Install the combination switch with four screws.
- (b) Install the connector with two screws.
- (c) Install the clamp.

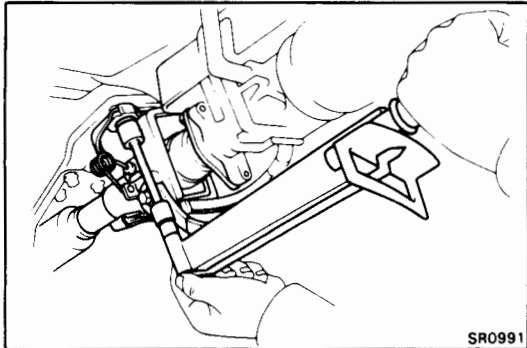


## INSTALLATION OF STEERING COLUMN ASSEMBLY

(See page SR-3)

### 1. PLACE STEERING COLUMN ASSEMBLY IN INSTALLED POSITION

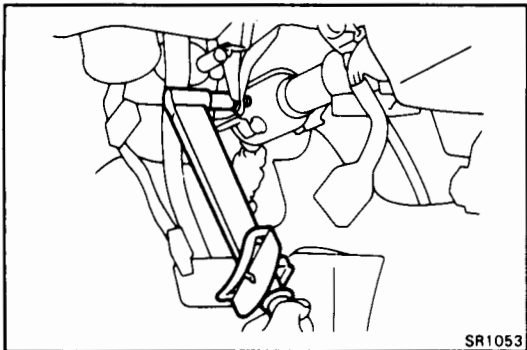
- Place the steering column assembly with the column upper cover and temporarily tighten support nuts and bracket nuts.
- Position the steering column assembly so the ends of lower support holes and mounting bolts touch.



### 2. TORQUE TILT STEERING SUPPORT NUTS AND BREAKAWAY BRACKET NUTS

Torque the support nuts and bracket nuts.

**Torque: 260 kg-cm (19 ft-lb, 25 N·m)**

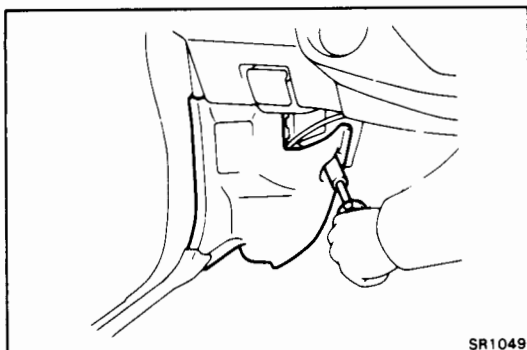


### 3. INSTALL PEDAL BRACKET STAY BOLT

Install and torque the bolt.

**Torque: 185 kg-cm (13 ft-lb, 18 N·m)**

### 4. CONNECT IGNITION SWITCH CONNECTOR AND COMBINATION SWITCH CONNECTOR



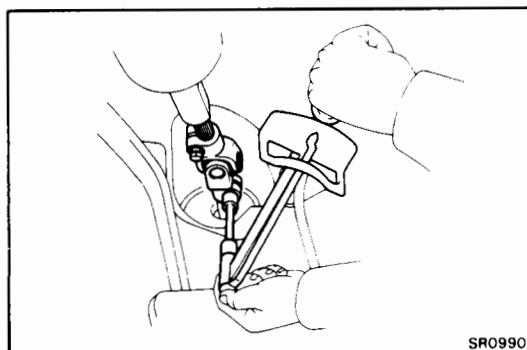
### 5. INSTALL FOLLOWING PARTS:

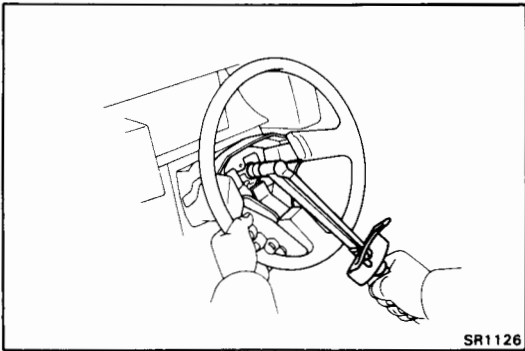
- Column lower cover
- Air duct
- Instrument lower finish panel
- Cowl side panel LH
- Scuff plate

### 6. INSTALL UNIVERSAL JOINT

- Align matchmarks on the main shaft, universal joint and pinion shaft.
- Install and torque the two bolts.

**Torque: 360 kg-cm (26 ft-lb, 35 N·m)**



**7. INSTALL STEERING WHEEL**

- (a) Align matchmarks on the main shaft and steering wheel, and install them.
- (b) Check the steering wheel center point.
- (c) Install and torque the steering wheel nut.

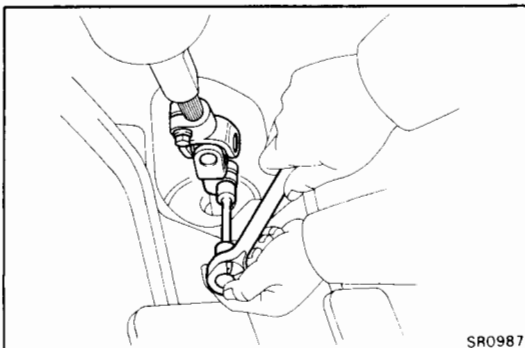
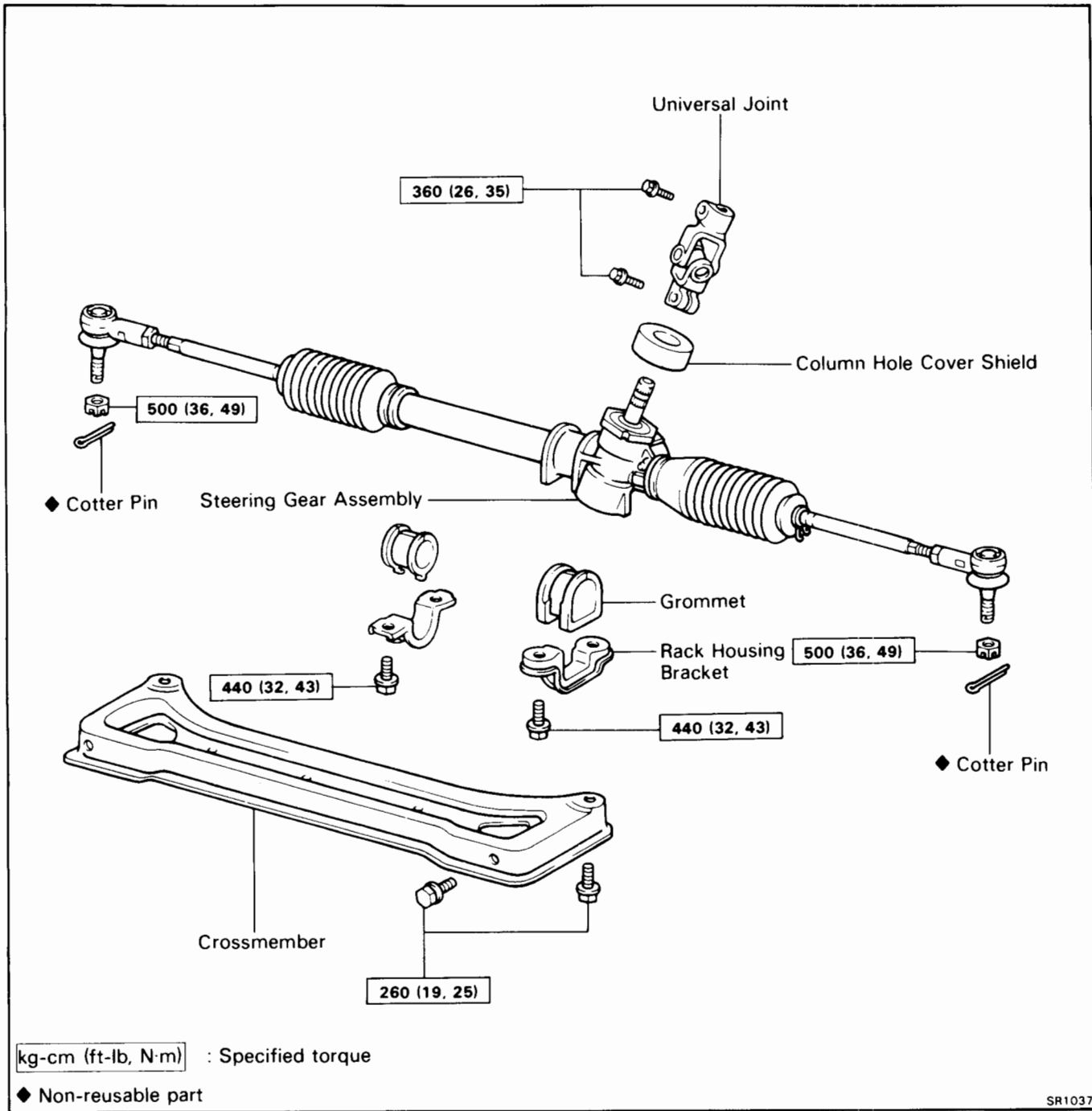
**Torque: 350 kg-cm (25 ft-lb, 34 N·m)**

- (d) Connect the horn connector and push in the wheel pad.
- (e) Tighten the screw.

**8. CONNECT NEGATIVE CABLE TO BATTERY**

# STEERING GEAR HOUSING

## REMOVAL OF GEAR HOUSING

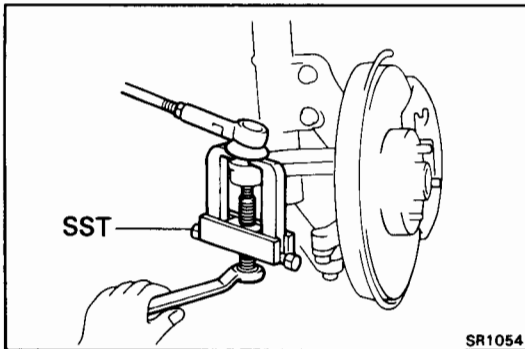


### 1. REMOVE UNIVERSAL JOINT

- Place matchmarks on the main shaft, joint yoke and pinion shaft.
- Remove the two bolts.
- First pull the universal joint from the gear housing. Then pull it out from the main shaft.

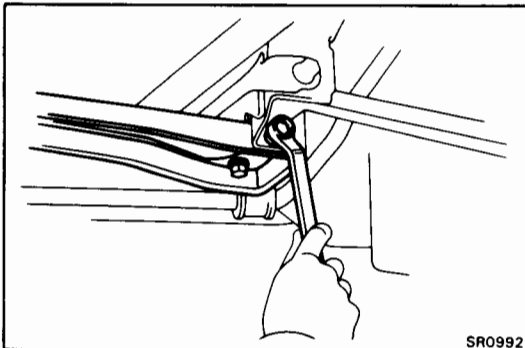
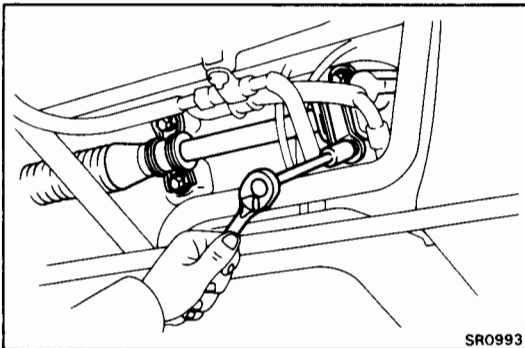
### 2. REMOVE FRONT WHEEL



**3. DISCONNECT TIE ROD ENDS**

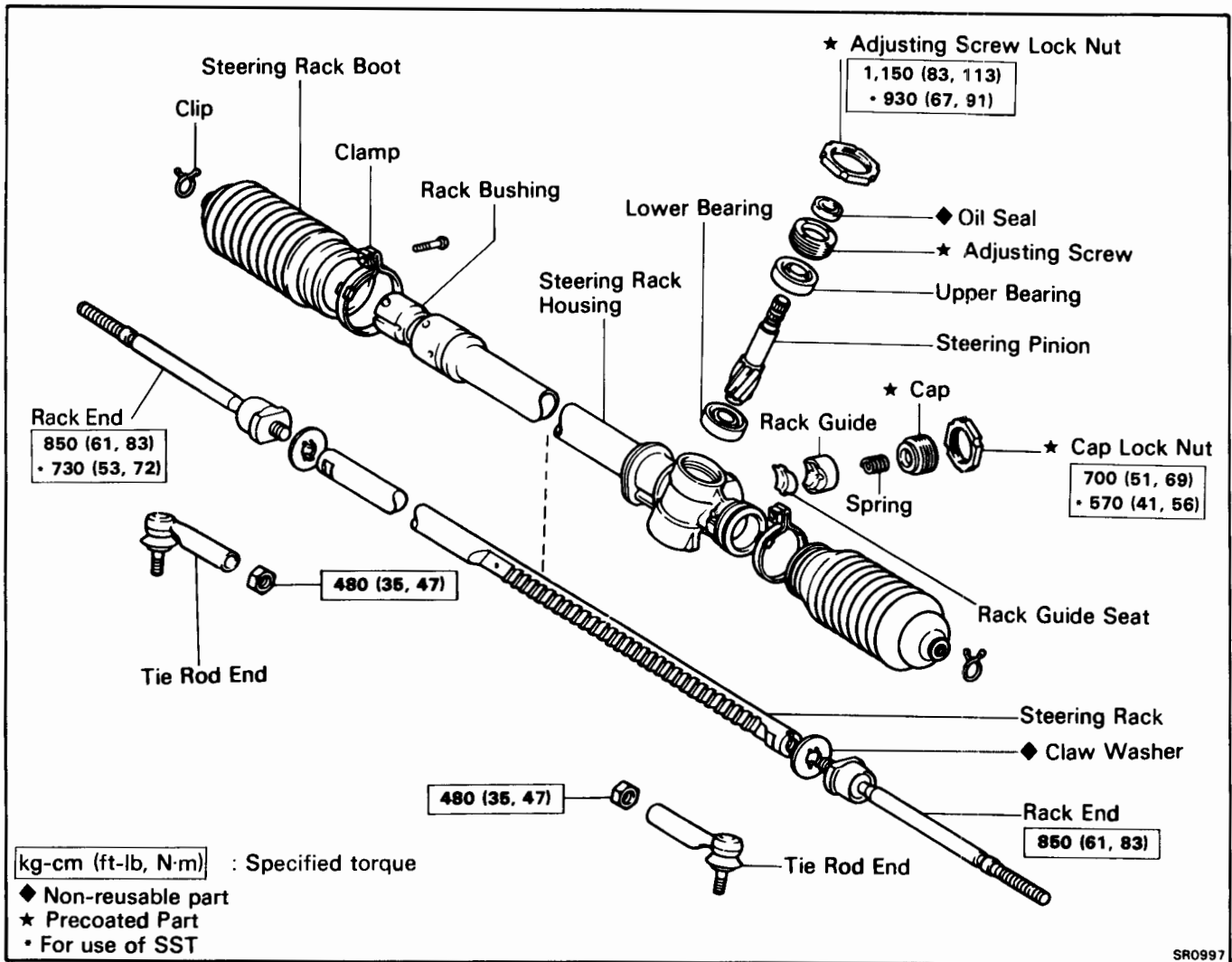
- (a) Remove the cotter pin and nut holding the knuckle arm to the tie rod.
- (b) Using SST, disconnect the knuckle arm from the tie rod end.

SST 09628-62011

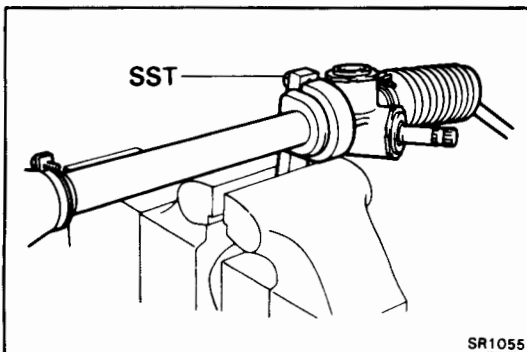
**4. REMOVE CENTER FLOOR CROSSMEMBER****5. REMOVE GEAR HOUSING ASSEMBLY**

- (a) Remove the gear housing bracket set bolts.
- (b) Remove the gear housing assembly.

COMPONENTS



SR0997



DISASSEMBLY OF GEAR HOUSING

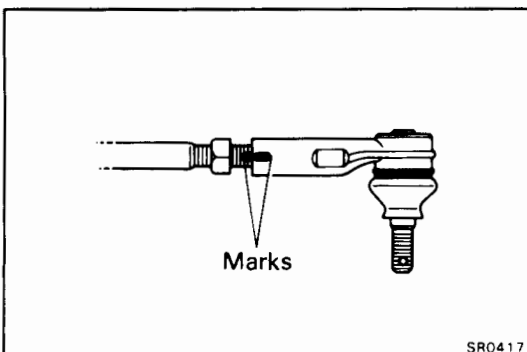
1. CLAMP GEAR HOUSING IN VISE

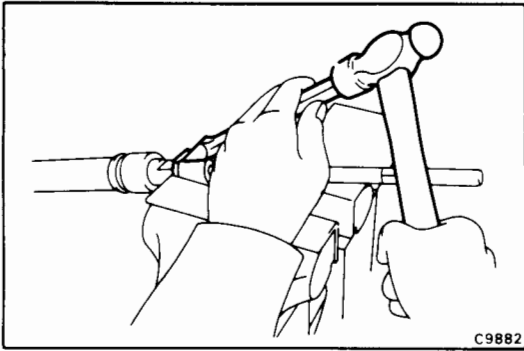
Using SST, clamp the gear housing in the vise.  
 SST 09612-00012

2. REMOVE TIE RODS

- (a) Loosen the lock nut and place matchmarks on the tie rod and rack end.
- (b) Remove the tie rod and lock nut.

3. REMOVE CLIPS, CLAMPS AND RACK BOOTS

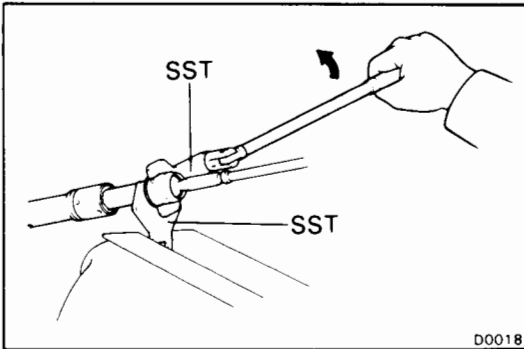




#### 4. REMOVE RACK ENDS AND CLAW WASHERS

(a) Unstake the claw washer.

**CAUTION:** Avoid any impact to the rack.



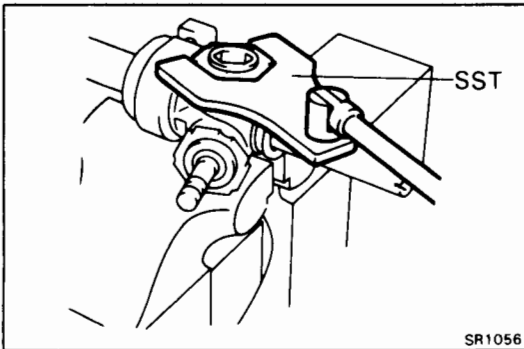
(b) Using SST, remove the rack ends.

SST 09612-10093 (09628-10020)

09612-24013 (09617-24010)

**NOTE:** Mark the left and right rack ends.

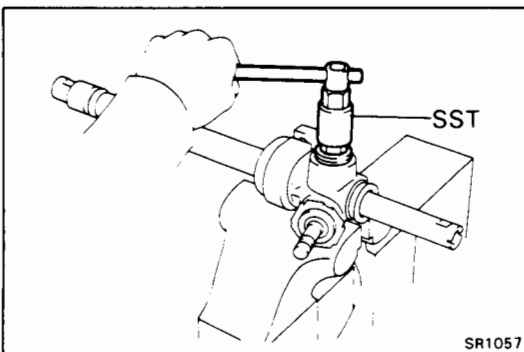
(c) Remove the claw washer.



#### 5. REMOVE RACK GUIDE SPRING CAP LOCK NUT

Using SST, remove the rack guide spring cap lock nut.

SST 09612-10093 (09617-10010)

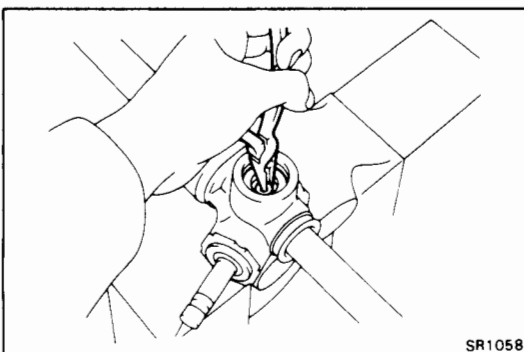


#### 6. REMOVE RACK GUIDE SPRING CAP

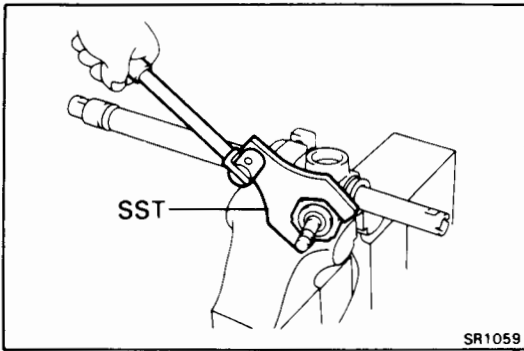
Using SST, remove the rack guide spring cap.

SST 09612-24013 (09612-10022)

#### 7. REMOVE RACK GUIDE SPRING



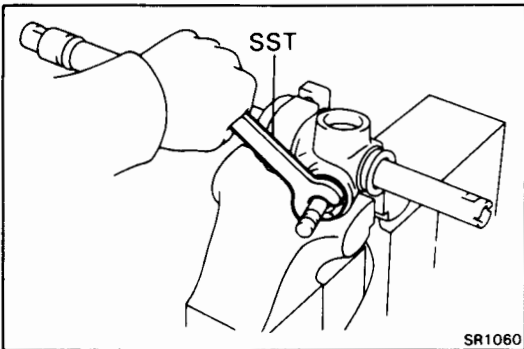
#### 8. REMOVE RACK GUIDE AND RACK GUIDE SEAT



**9. REMOVE PINION BEARING ADJUSTING SCREW LOCK NUT**

Using SST, remove the pinion bearing adjusting screw lock nut.

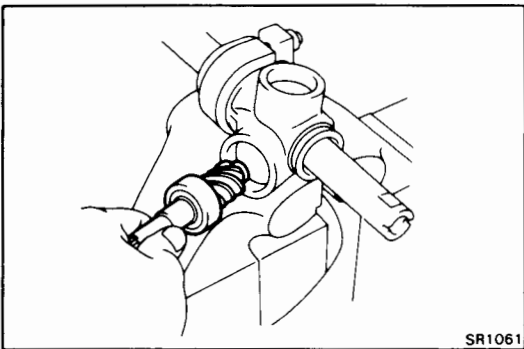
SST 09612-10093 (09617-10010)



**10. REMOVE PINION BEARING ADJUSTING SCREW**

Using SST, remove the pinion bearing adjusting screw.

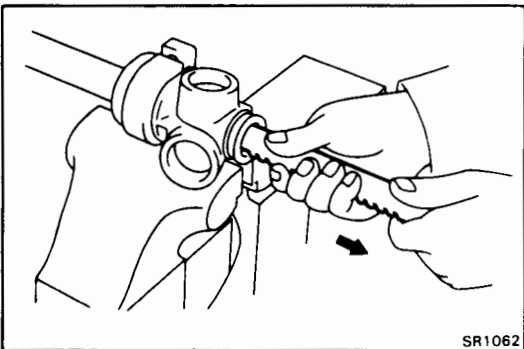
SST 09612-24013 (09616-10020)



**11. REMOVE PINION WITH UPPER BEARING**

**NOTE:** Be careful not to damage the serrations.

- (a) Fully pull the rack from the housing side and align the rack notched portion with the pinion.
- (b) Remove the pinion together with the upper bearing.



**12. REMOVE RACK**

Remove the rack from the pinion side without revolving it.

**NOTE:** If the rack is pulled from the tube side, there is a possibility of damaging the bushing with the rack teeth surface.

## INSPECTION AND REPAIR OF GEAR HOUSING COMPONENTS

### 1. INSPECT RACK

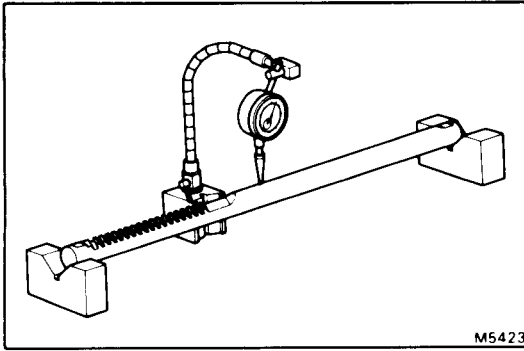
- (a) Check the rack for runout and for teeth wear or damage.

**Maximum runout: 0.3 mm (0.012 in.)**

- (b) Check the back surface for wear or damage.

If faulty, replace it.

**CAUTION: Do not use a wire brush when cleaning.**

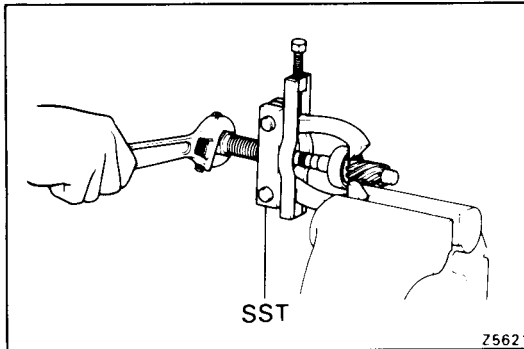


### 2. INSPECT PINION BEARINGS

### 3. IF NECESSARY, REPLACE PINION UPPER BEARING

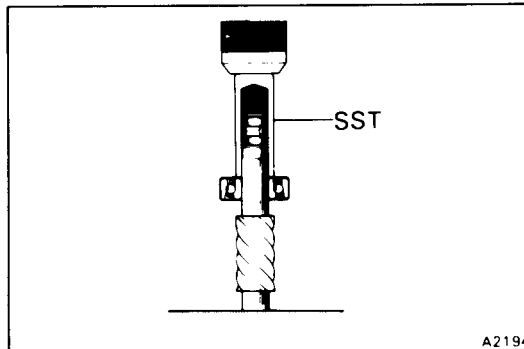
- (a) Remove the upper bearing with SST.

SST 09950-20017



- (b) Install a new upper bearing with SST.

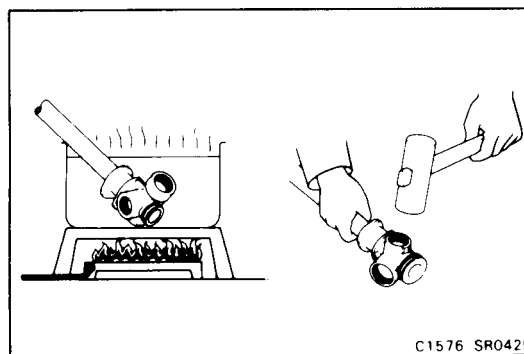
SST 09612-24013 (09612-10061)



### 4. IF NECESSARY, REPLACE PINION LOWER BEARING

- (a) Heat the rack housing to above 80°C (176°F).

- (b) Tap the rack housing with a plastic hammer or such to remove the lower bearing by recoil.

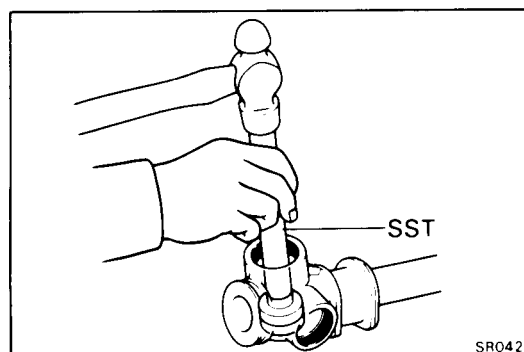


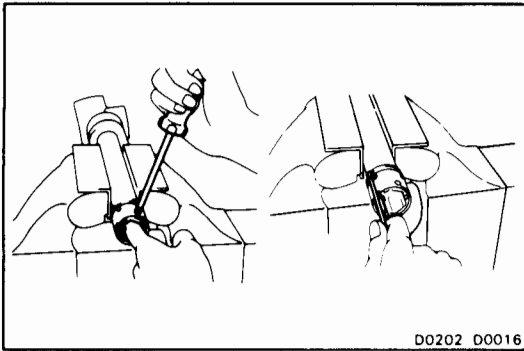
- (c) Heat the rack housing to above 80°C (176°F).

- (d) Install a new lower bearing with SST.

SST 09620-30010 (09627-30010, 09631-00020)

**NOTE: Observe the correct bearing direction.**

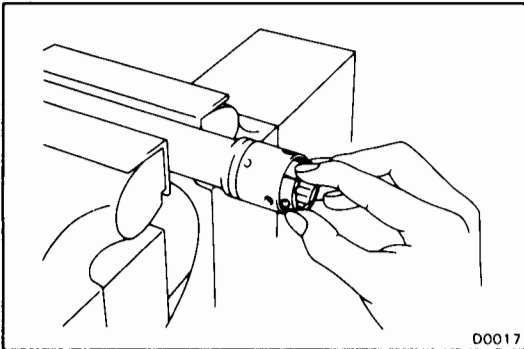




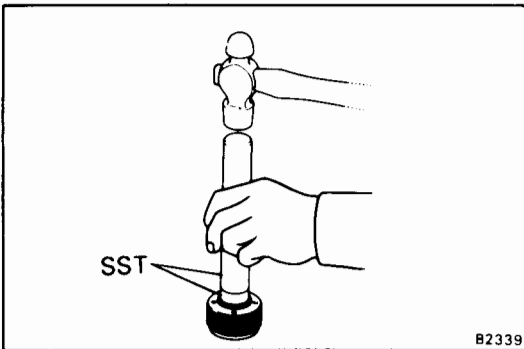
### 5. IF NECESSARY, REPLACE RACK BUSHING

- (a) Push in the three claws of the bushing to the rack housing and pull out the bushing.
- (b) Insure that the tube hole is not clogged with grease.

**NOTE:** If the tube hole is clogged, the pressure inside the boot will change after it is assembled and the handle turned.



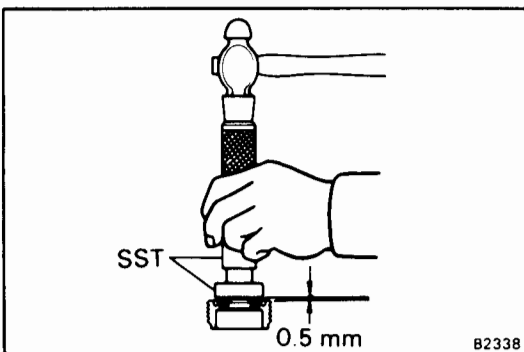
- (c) Align the rack housing hole to the three claw of the bushing and install it.



### 6. IF NECESSARY, REPLACE PINION OIL SEAL

- (a) Using SST, drive out the oil seal.

SST 09620-30010 (09631-00020)  
09630-24013 (09620-24010)

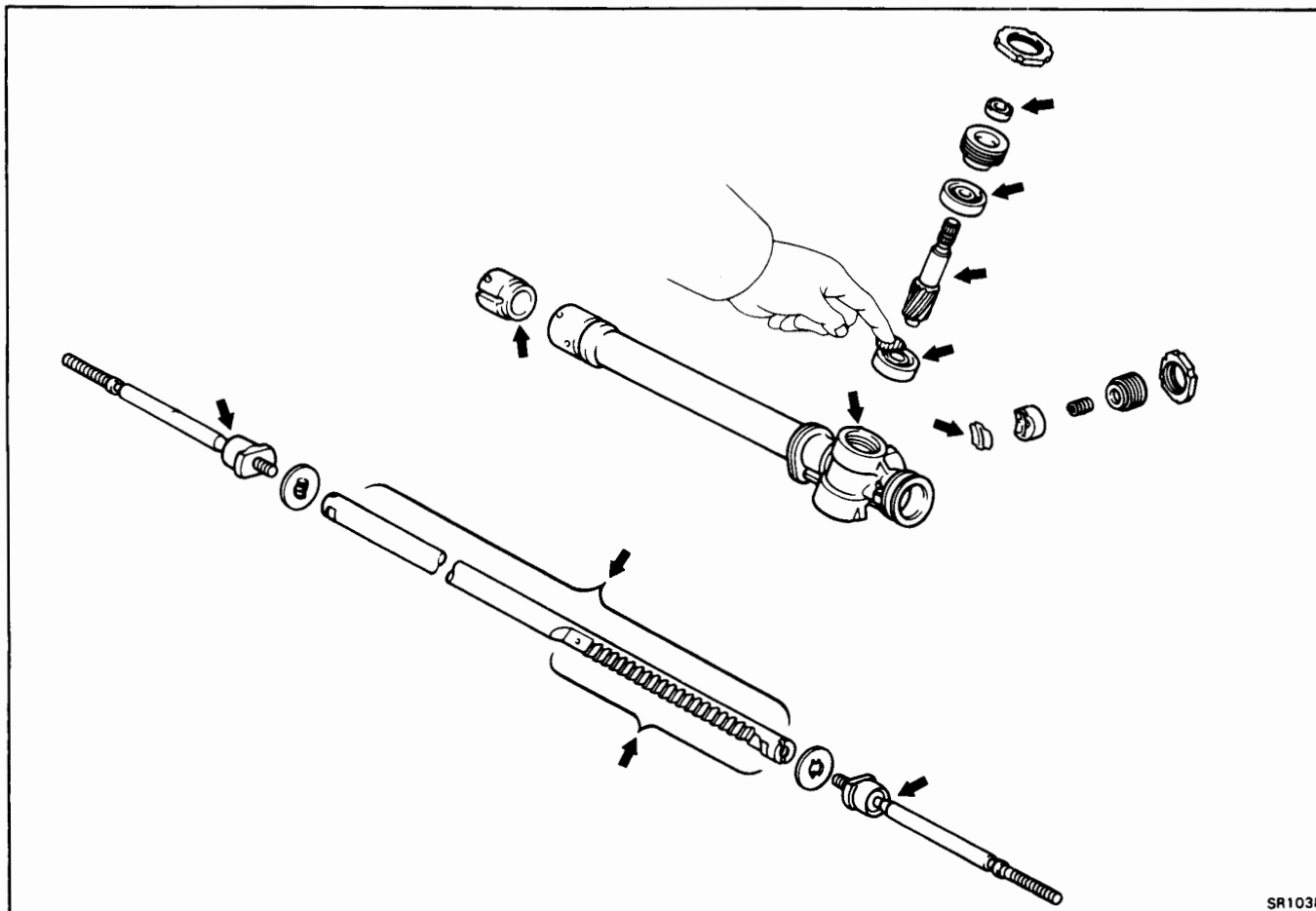


- (b) Using SST, drive in a new pinion oil seal until it is protruding 0.5 mm (0.020 in.).

SST 09620-30010 (09631-00020)  
09630-24013 (09620-24020)

**ASSEMBLY OF GEAR HOUSING**

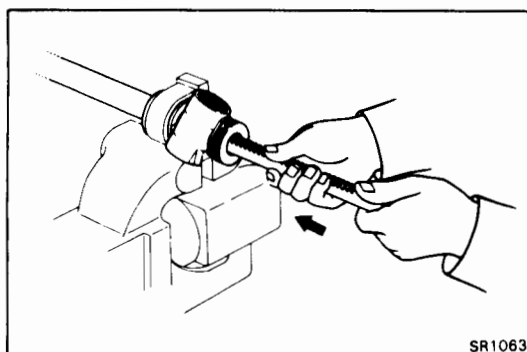
(See page SR-16)

**1. PACK MOLYBDENUM DISULPHIDE LITHIUM BASE GREASE ON PARTS SHOWN:**

SR1038

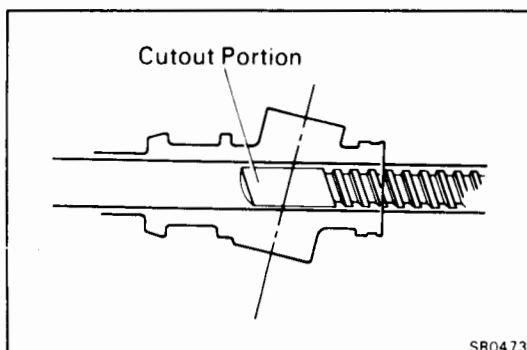
**2. INSTALL RACK INTO RACK HOUSING**

- (a) From the pinion side, install the rack into the rack housing.
- (b) Set the rack notched side so that the pinion can be positioned inside.

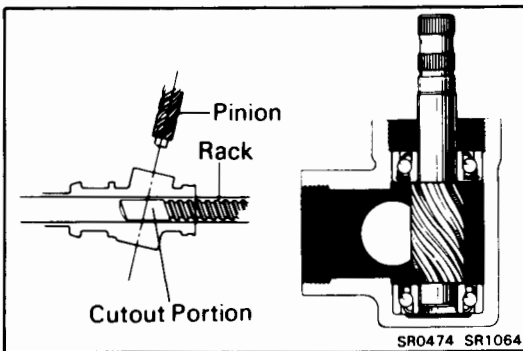


SR1063

- (c) Line up the cutout portion of the rack with the pinion.

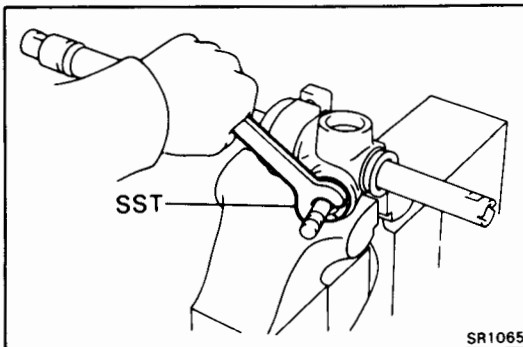


SR0473



### 3. INSTALL PINION INTO HOUSING

Insure that the pinion end is securely in the lower bearing.

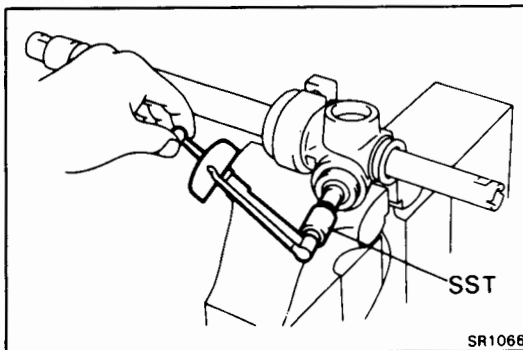


### 4. INSTALL PINION BEARING ADJUSTING SCREW

(a) Coat liquid sealer onto the screw threads.

**Sealant: Part No. 08833-00080, THREE BOND 1344, LOCTITE 242 or equivalent**

(b) Install the pinion bearing adjusting screw with SST.  
SST 09612-24013 (09616-10020)



### 5. ADJUST PINION PRELOAD

(a) Line up the cutout portion of the rack with the pinion.

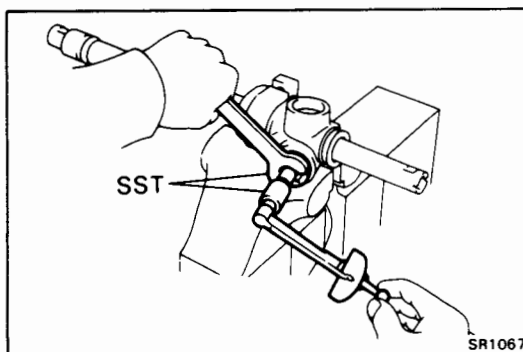
(b) Using SST, torque the pinion bearing adjusting screw to 3.7 kg-cm (3.2 in.-lb, 0.4 N·m).

SST 09612-24013 (09616-10010)

(c) Using same SST, loosen the pinion bearing adjusting screw to a torque of 2.3 – 3.3 kg-cm (2.0 – 2.9 in.-lb, 0.2 – 0.3 N·m).

SST 09612-24013 (09616-10010, 09616-10020)

**Preload (torque): 2.3 – 3.3 kg-cm  
(2.0 – 2.9 in.-lb, 0.2 – 0.3 N·m)**



### 6. INSTALL PINION BEARING ADJUSTING SCREW LOCK NUT

(a) Coat liquid sealer onto the lock nut and housing contact surface.

**Sealant: Part No. 08833-00080, THREE BOND 1344, LOCTITE 242 or equivalent**

(b) Install the lock nut and torque it with SST.

SST 09612-10093 (09617-10010)  
09612-24013 (09616-10020)

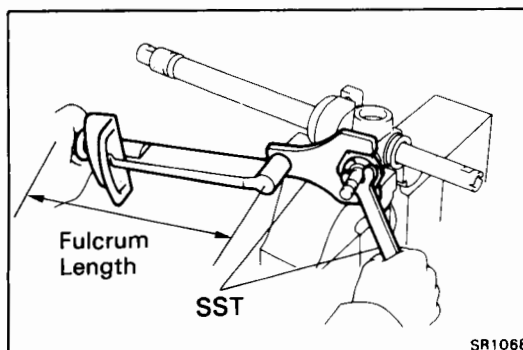
**Torque: 930 kg-cm (67 ft-lb, 91 N·m)**

**NOTE:** Use a torque wrench with a fulcrum length of 42.5 cm (16.73 in.).

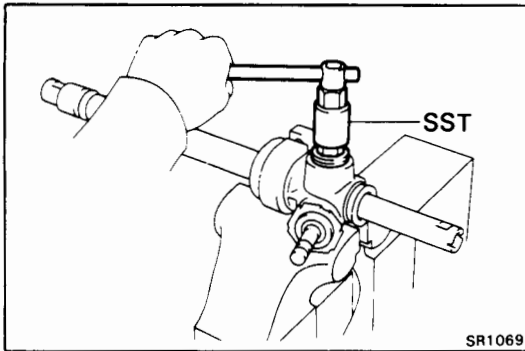
(c) Recheck the pinion preload.

If incorrect, readjust.

**Preload (turning): 2.3 – 3.3 kg-cm  
(2.0 – 2.9 in.-lb, 0.2 – 0.3 N·m)**





**7. INSTALL RACK GUIDE SEAT AND RACK GUIDE****8. INSTALL RACK GUIDE SPRING****9. INSTALL RACK GUIDE SPRING CAP**

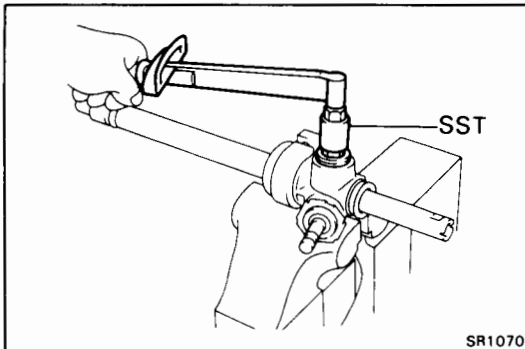
(a) Coat liquid sealer onto the guide spring cap threads.

**Sealant: Part No. 08833-00080, THREE BOND 1344, LOCTITE 242 or equivalent**

(b) Mesh the rack with the pinion.

(c) Install the rack guide spring cap with SST.

SST 09612-24013 (09612-10022)

**10. ADJUST TOTAL PRELOAD**

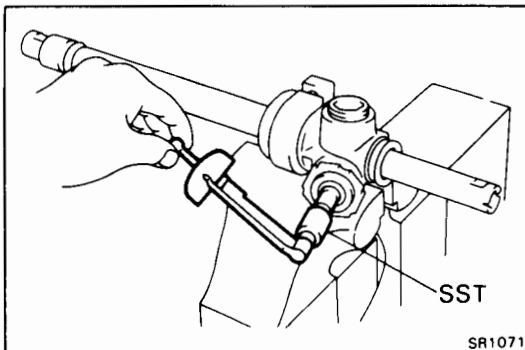
(a) Tighten the rack guide spring cap and torque with SST.

SST 09612-24013 (09612-10022)

**Torque: 250 kg-cm (18 ft-lb, 25 N·m)**

(b) Using SST, return the rack spring cap 25°.

SST 09612-24013 (09612-10022)



(c) Measure the total preload with SST.

SST 09612-24013 (09616-10010)

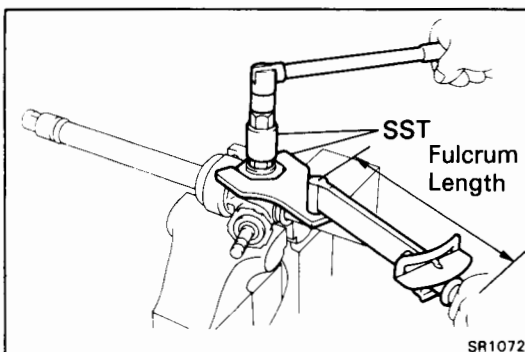
**Preload (turning): 5 – 13 kg-cm  
(4.3 – 11.3 in.-lb, 0.5 – 1.3 N·m)**

(d) If preload is insufficient:

Retorque the rack guide spring cap, and return it 12° or slightly less.

(e) If there is excess preload:

Slightly return the rack guide spring cap.

**11. INSTALL RACK GUIDE SPRING CAP LOCK NUT**

(a) Coat liquid sealer onto the lock nut thread and housing surface.

**Sealant: Part No. 08833-00080, THREE BOND 1344, LOCTITE 242 or equivalent**

(b) Tighten the lock nut and torque it with SST.

SST 09612-10093 (09617-10010)

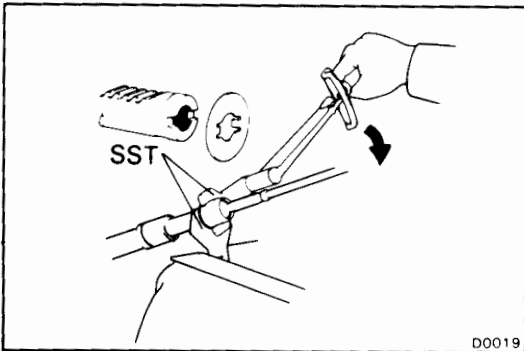
09612-24013 (09612-10022)

**Torque: 570 kg-cm (41 ft-lb, 56 N·m)**

**NOTE:** Use a torque wrench with a fulcrum length of 34 cm (13.39 in.).

(c) Recheck the total preload. If incorrect, readjust.

**Preload (turning): 5 – 13 kg-cm  
(4.3 – 11.3 in.-lb, 0.5 – 1.3 N·m)**



D0019

**12. INSTALL NEW CLAW WASHERS AND RACK ENDS**

- (a) Install a new claw washer.

NOTE: Align the claw of the claw washer with the rack groove.

- (b) Install the rack end and torque it with SST.

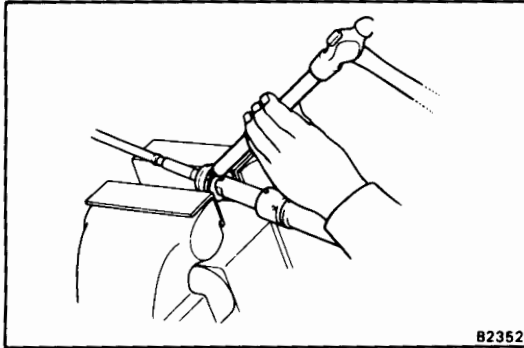
SST 09612-10093 (09628-10020)

09612-24013 (09617-24010)

NOTE: Use a torque wrench with a fulcrum length of 34 cm (13.39 in.).

**Torque: 730 kg-cm (53 ft-lb, 72 N·m)**

- (c) Stake the claw washer.

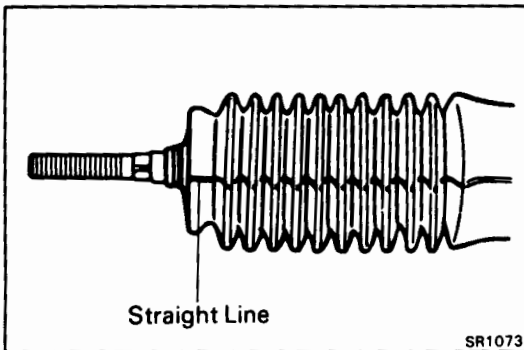


B2352

**13. INSTALL RACK BOOTS**

- (a) Install the rack boots.

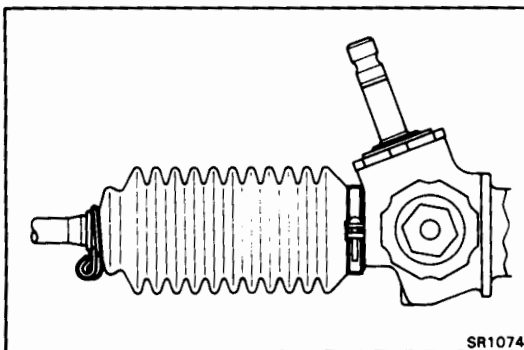
NOTE: Be careful not to damage or twist the boots. The left and right boots are different. Be careful not to interchange them.



SR1073

- (b) Install the clamps and clips.

NOTE: Face the open ends outward, as shown, to avoid damage to the boots.



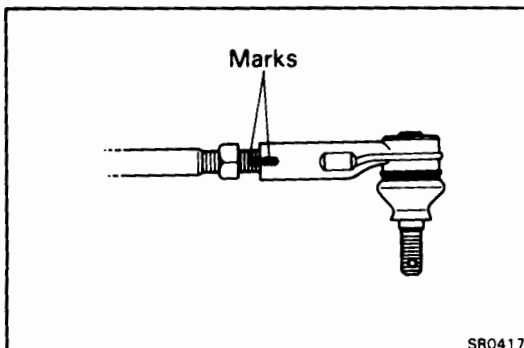
SR1074

**14. INSTALL TIE RODS**

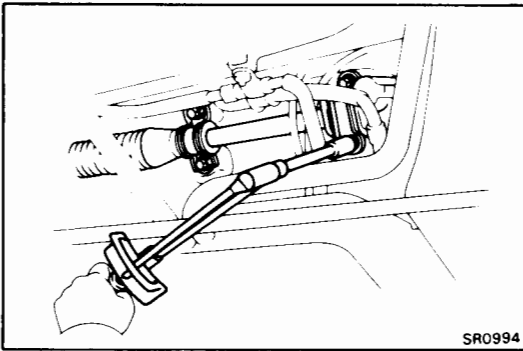
- (a) Screw the lock nuts and tie rods onto the rack ends until the matchmarks are aligned.

- (b) After adjusting toe-in, torque the lock nuts.

**Torque: 480 kg-cm (35 ft-lb, 47 N·m)**



SR0417



## INSTALLATION OF GEAR HOUSING

(See page SR-14)

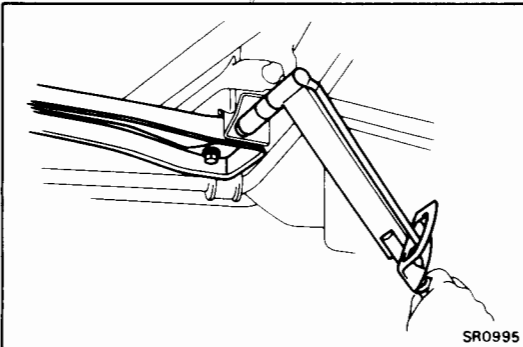
### 1. INSTALL GEAR HOUSING ASSEMBLY

Install the four bolts and torque them.

NOTE: Be careful not to damage the boots.

Align the centers of the column hole cover shield and the hole in the body where the pinion shaft passes through.

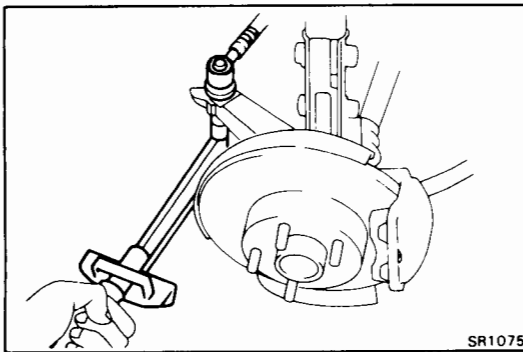
Torque: 440 kg-cm (32 ft-lb, 43 N·m)



### 2. INSTALL CENTER FLOOR CROSSMEMBER

Install the center floor crossmember and four bolts.

Torque: 260 kg-cm (19 ft-lb, 25 N·m)

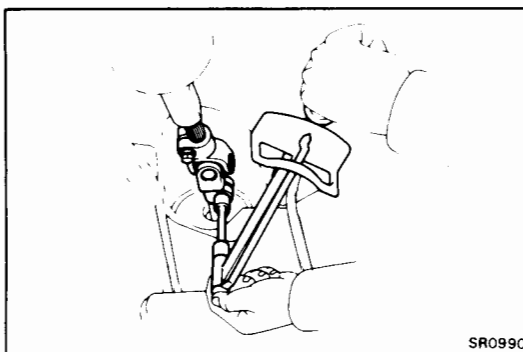


### 3. CONNECT TIE ROD ENDS TO KNUCKLE ARMS

(a) Install the tie rod ends to the knuckle arms and torque the nuts.

Torque: 500 kg-cm (36 ft-lb, 49 N·m)

(b) Install a new cotter pin.



### 4. INSTALL UNIVERSAL JOINT

(a) Align matchmarks on the main shaft, universal joint and pinion shaft.

(b) Install and torque the two bolts.

Torque: 360 kg-cm (26 ft-lb, 35 N·m)

### 5. INSTALL FRONT WHEELS

### 6. ADJUST TOE-IN (See page FA-5)

### 7. TORQUE TIE ROD END LOCK NUTS

Torque: 480 kg-cm (35 ft-lb, 47 N·m)

### 8. CHECK STEERING WHEEL CENTER POINT

### 9. CHECK STEERING WHEEL FREE PLAY

# BODY ELECTRICAL SYSTEM

	Page
GENERAL INFORMATION .....	BE-2
LOCATION OF SWITCHES AND RELAYS .....	BE-6
IGNITION SWITCH .....	BE-10
LIGHTING .....	BE-11
WIPER AND WASHER .....	BE-20
INSTRUMENTS, GAUGES AND WARNING LIGHTS .....	BE-24
REAR WINDOW DEFOGGER .....	BE-31
HEATER .....	BE-33
CRUISE CONTROL SYSTEM .....	BE-39
POWER WINDOW .....	BE-63
DOOR LOCK CONTROL SYSTEM .....	BE-67
REMOTE CONTROL MIRROR .....	BE-68
RADIO, STEREO TAPE PLAYER AND ANTENNA .....	BE-69
CLOCK .....	BE-76

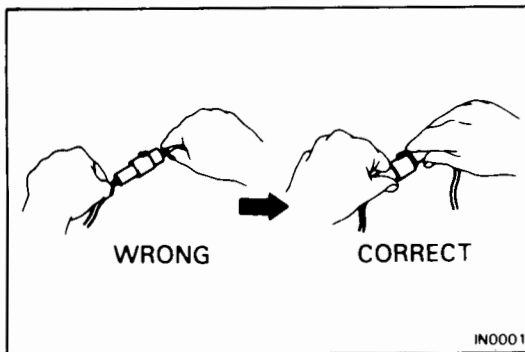
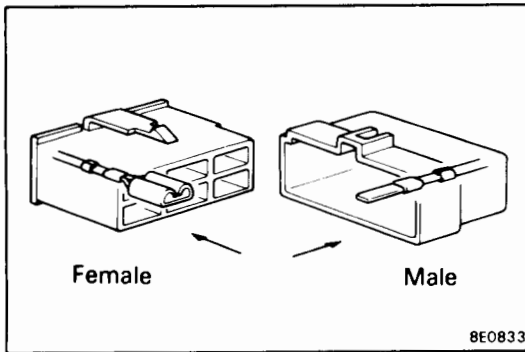
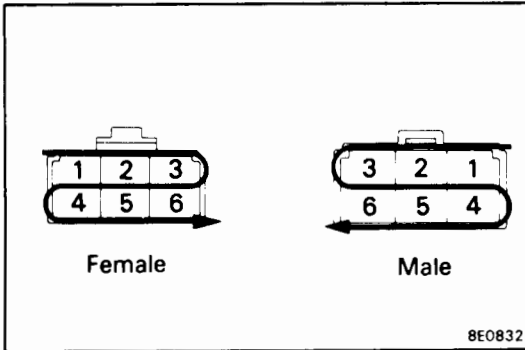
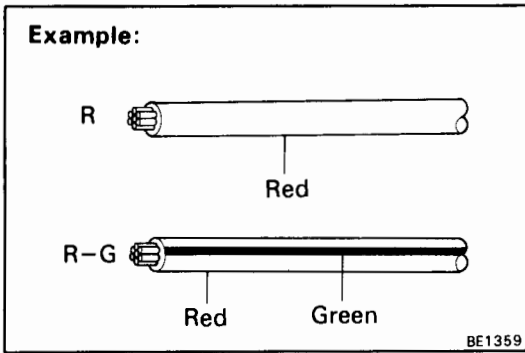
# GENERAL INFORMATION

## WIRING COLOR CODE

Wire colors are indicated by an alphabetical code.

- B = Black    L = Blue    R = Red
- BR = Brown    LG = Light Green    V = Violet
- G = Green    O = Orange    W = White
- GR = Gray    P = Pink    Y = Yellow

The first letter indicates the basic wire color and the second letter indicates the color of the stripe.



## CONNECTOR

### 1. PIN NUMBER OF FEMALE CONNECTOR

Numbered in order from upper left to lower right.

### 2. PIN NUMBER OF MALE CONNECTOR

Numbered in order from upper right to lower left.

### 3. DISTINCTION OF MALE AND FEMALE CONNECTORS

Male and female connectors are distinguished by shape of their internal pins.

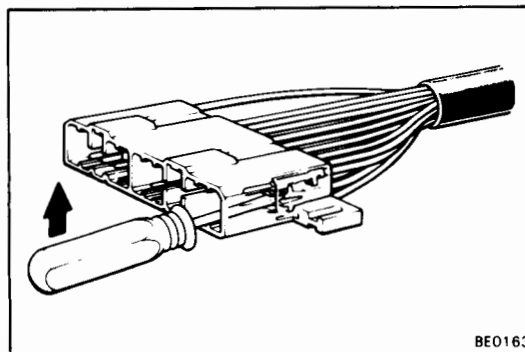
(a) All connectors are shown from the open end, and the lock is on top.

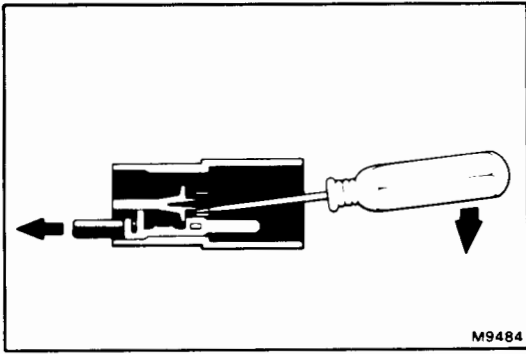
(b) To pull apart the connectors, pull on the connector itself, not the wires.

## REPLACEMENT OF COMBINATION SWITCH

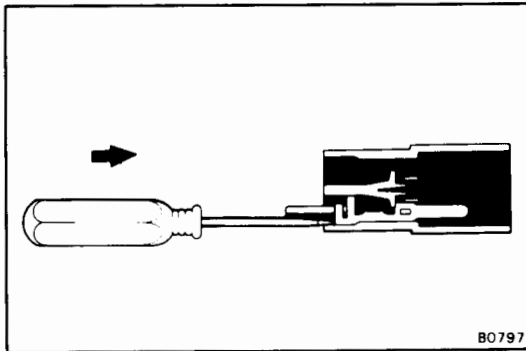
### REMOVE TERMINALS FROM CONNECTOR

(a) From the open end, insert a miniature screwdriver between the locking lugs and terminal.



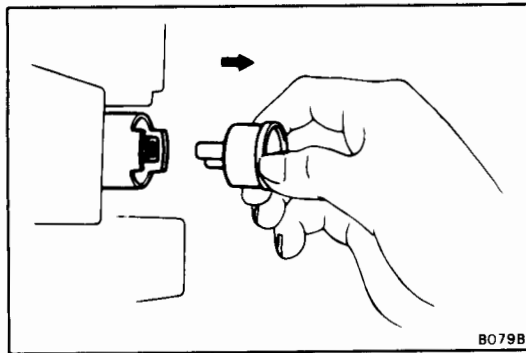


- (b) Pry up the locking lugs with the screwdriver and pull the terminal out from the rear.



**INSTALL TERMINALS TO CONNECTOR**

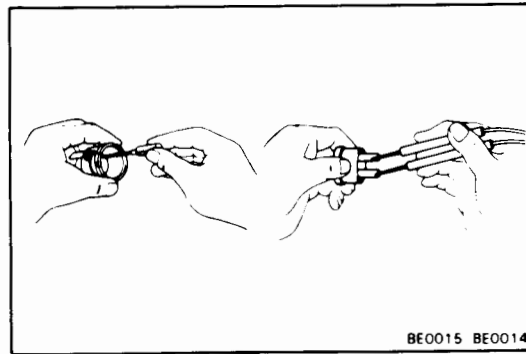
- (a) Push in the terminal until it is securely locked in the connector lug.
- (b) Pull on the wire to confirm that it is securely locked.



**RESET CIRCUIT BREAKER**

**1. REMOVE CIRCUIT BREAKER**

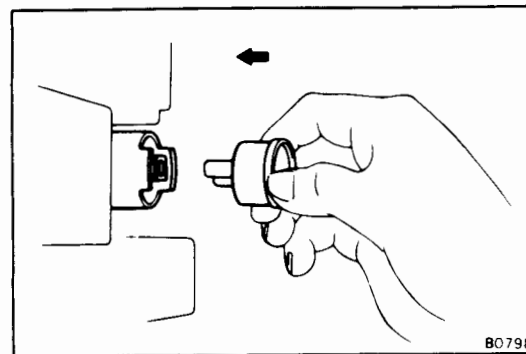
- (a) Remove the kick panel.
- (b) Remove the circuit breaker.



**2. RESET CIRCUIT BREAKER**

- (a) Insert the needle into the reset hole and push it.
- (b) Using an ohmmeter, check that there is continuity between both terminals of the circuit breaker.

If there is no continuity, replace the circuit breaker.



**3. INSTALL CIRCUIT BREAKER**

- (a) Install the circuit breaker.

**NOTE:** If a circuit breaker continues to cut out, a short circuit is indicated. Have the system checked by a qualified technician.

- (b) Install the kick panel.

## REPLACEMENT OF FUSES

Install new fuses with correct amperage ratings.

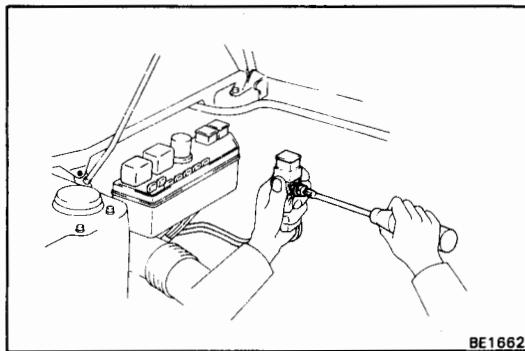
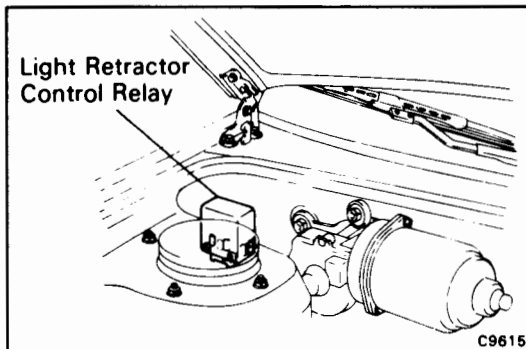
### CAUTION:

1. Turn off all electrical components and the ignition switch before replacing a fuse. Do not exceed the fuse amp rating.
2. Always use a fuse puller for removing and inserting a fuse. Remove and insert straight in and out without twisting. Twisting could force open the terminals too much, resulting in a bad connection.

If a fuse continues to blow, the circuit is probably shorted. Have the system checked by a qualified technician.

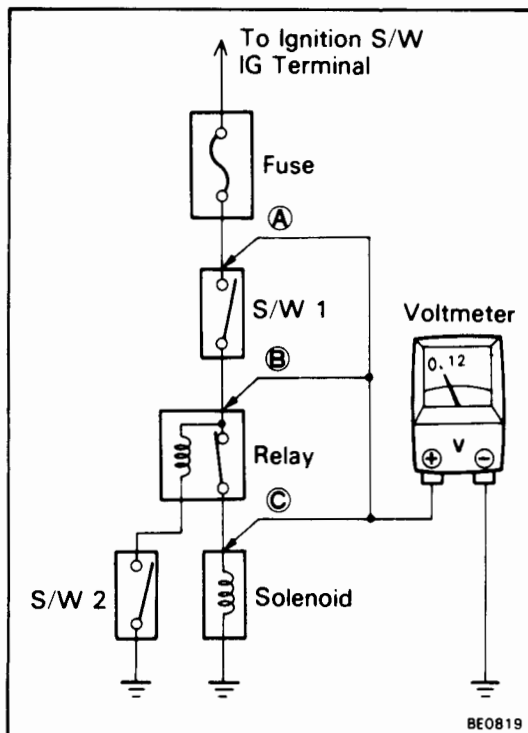
## TAKE CARE WHEN INSPECTING HEADLIGHT CIRCUIT

**WARNING:** Before inspecting or adjusting the retractable headlight circuit, disconnect the light retractor control relay connector.



## REMOVE HEAD 60A FUSIBLE LINK

- (a) Remove negative battery cable.
- (b) Remove the relay block undercover.
- (c) Pull out the fusible link cassette from below.
- (d) Remove the bolt, and remove the fusible link.



## VOLTAGE CHECK

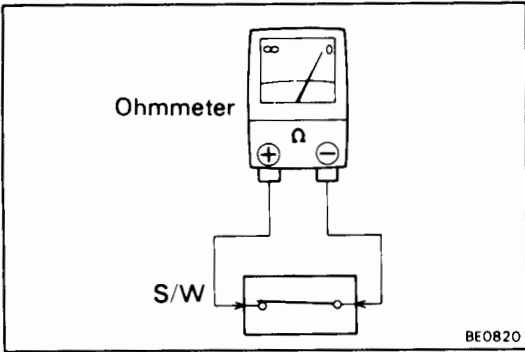
- (a) Establish conditions in which voltage is present at the check point.

Example:

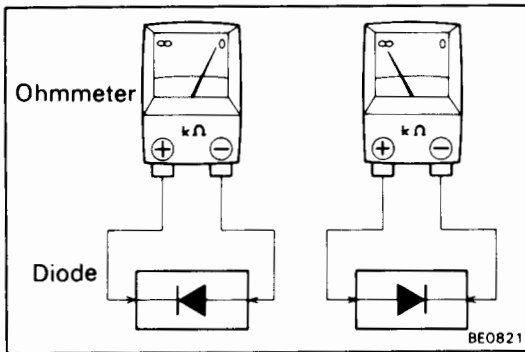
- Ⓐ - Ignition S/W on
- Ⓑ - Ignition S/W and S/W 1 on
- Ⓒ - Ignition S/W, S/W 1 and Relay on (S/W 2 off)

- (b) Using a voltmeter, connect the negative lead to a good ground point or negative battery terminal and the positive lead to the connector or component terminal. This check can be done with a test light instead of a voltmeter.

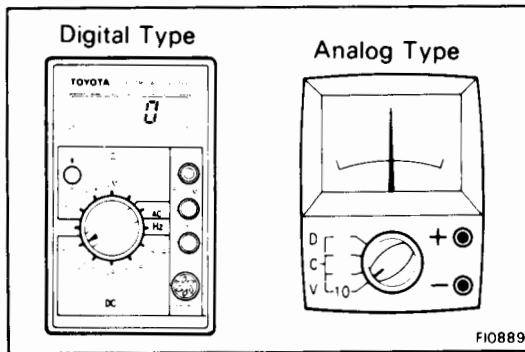
### CONTINUITY AND RESISTANCE CHECK



- (a) Disconnect the battery terminal or wire so there is no voltage between the check points.
- (b) Contact the two leads of an ohmmeter to each of the check points.

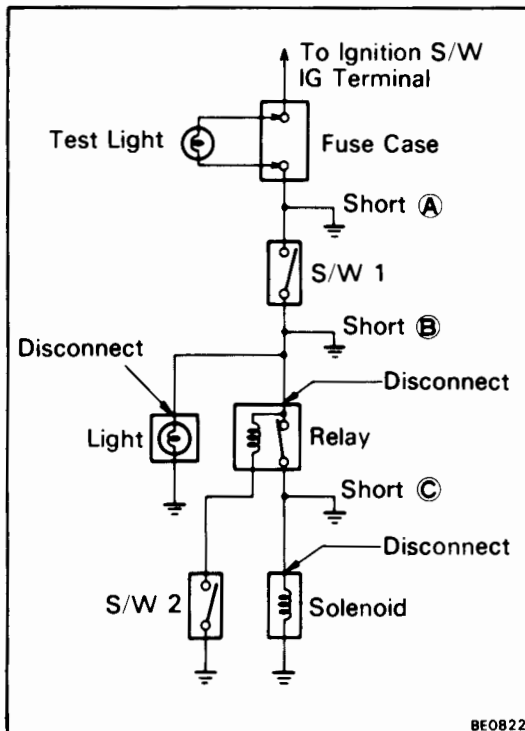


If the circuit has diodes, reverse the two leads and check again.  
 When contacting the negative lead to the diode positive side and the positive lead to the negative side, there should be continuity.  
 When contacting the two leads in reverse, there should be no continuity.



- (c) Use a volt/ohmmeter with high impedance (10 kΩ/V minimum) for troubleshooting of the electrical circuit.

### FINDING A SHORT CIRCUIT

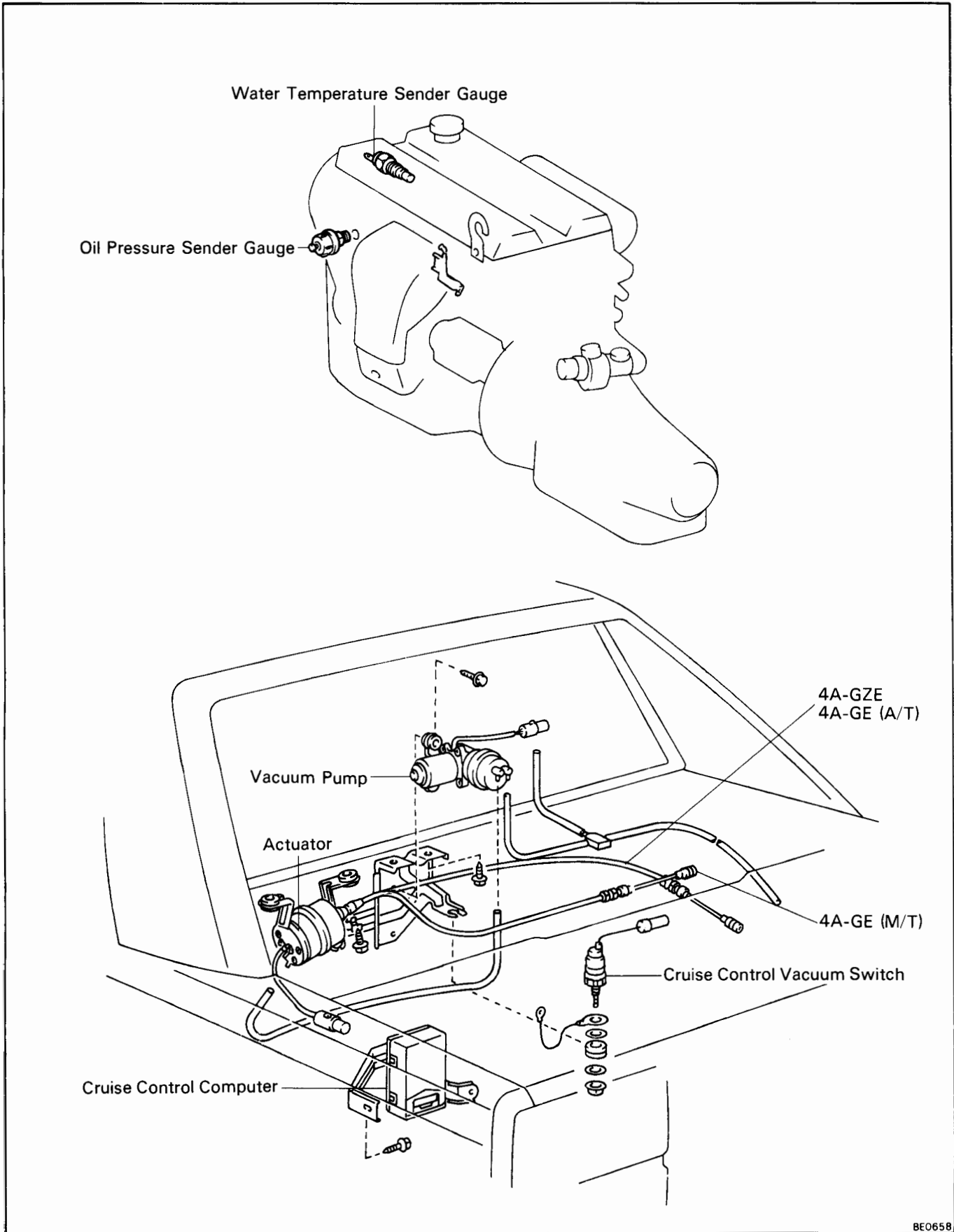


- (a) Remove the blown fuse and disconnect all loads of the fuse.
- (b) Connect a test light in place of the fuse.
- (c) Establish conditions in which the test light comes on.  
 Example:  
 (A) — Ignition S/W on  
 (B) — Ignition S/W and S/W 1 on  
 (C) — Ignition S/W, S/W 1 and Relay on (Connect the Relay) and S/W 2 off (or Disconnect S/W 2)
- (d) Disconnect and reconnect the connectors while watching the test light.  
 The short lies between the connector where the test light stays lit and the connector where the light goes out.
- (e) Find the exact location of the short by lightly shaking the problem wire along the body.

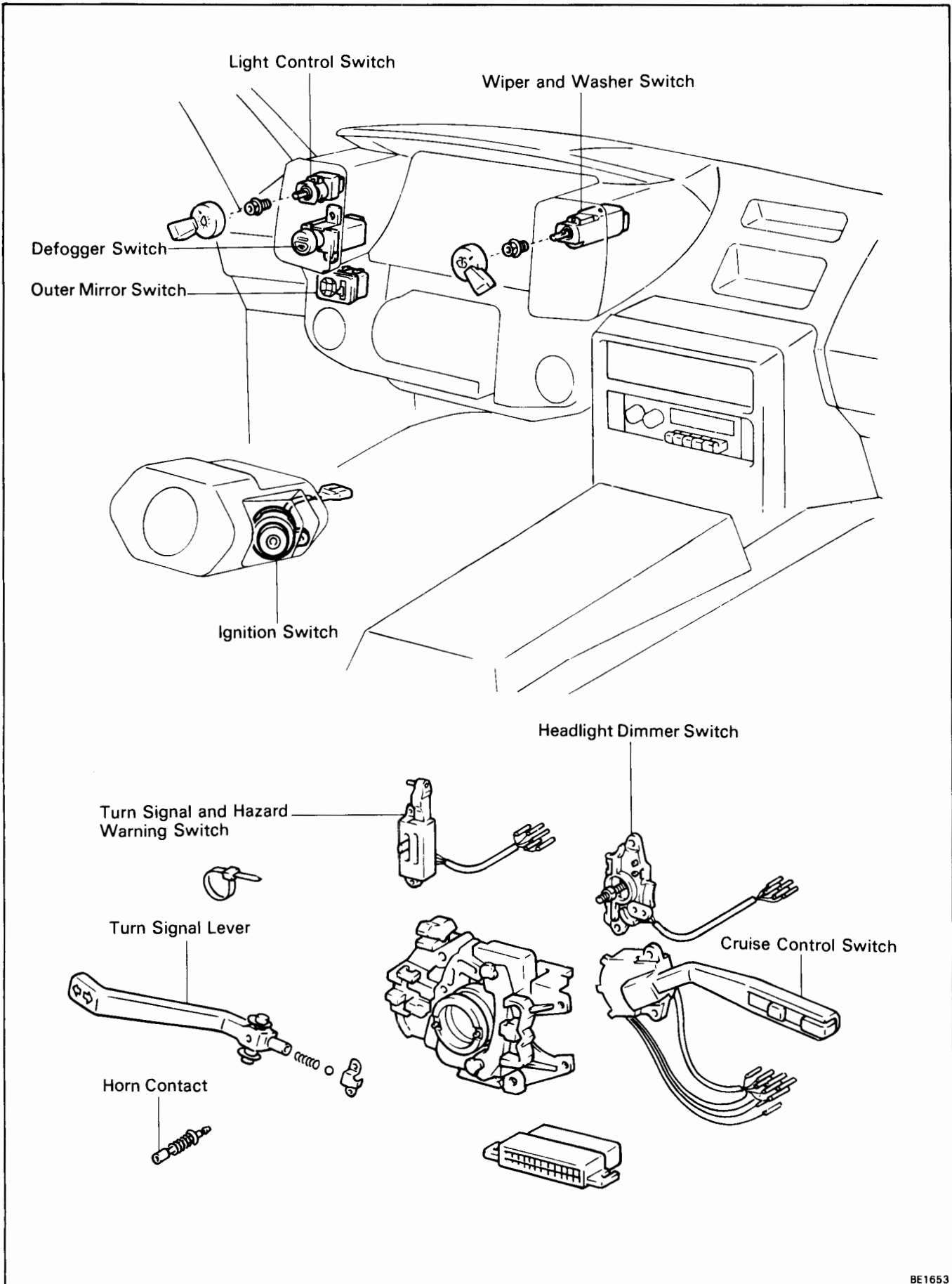


# LOCATION OF SWITCHES AND RELAYS

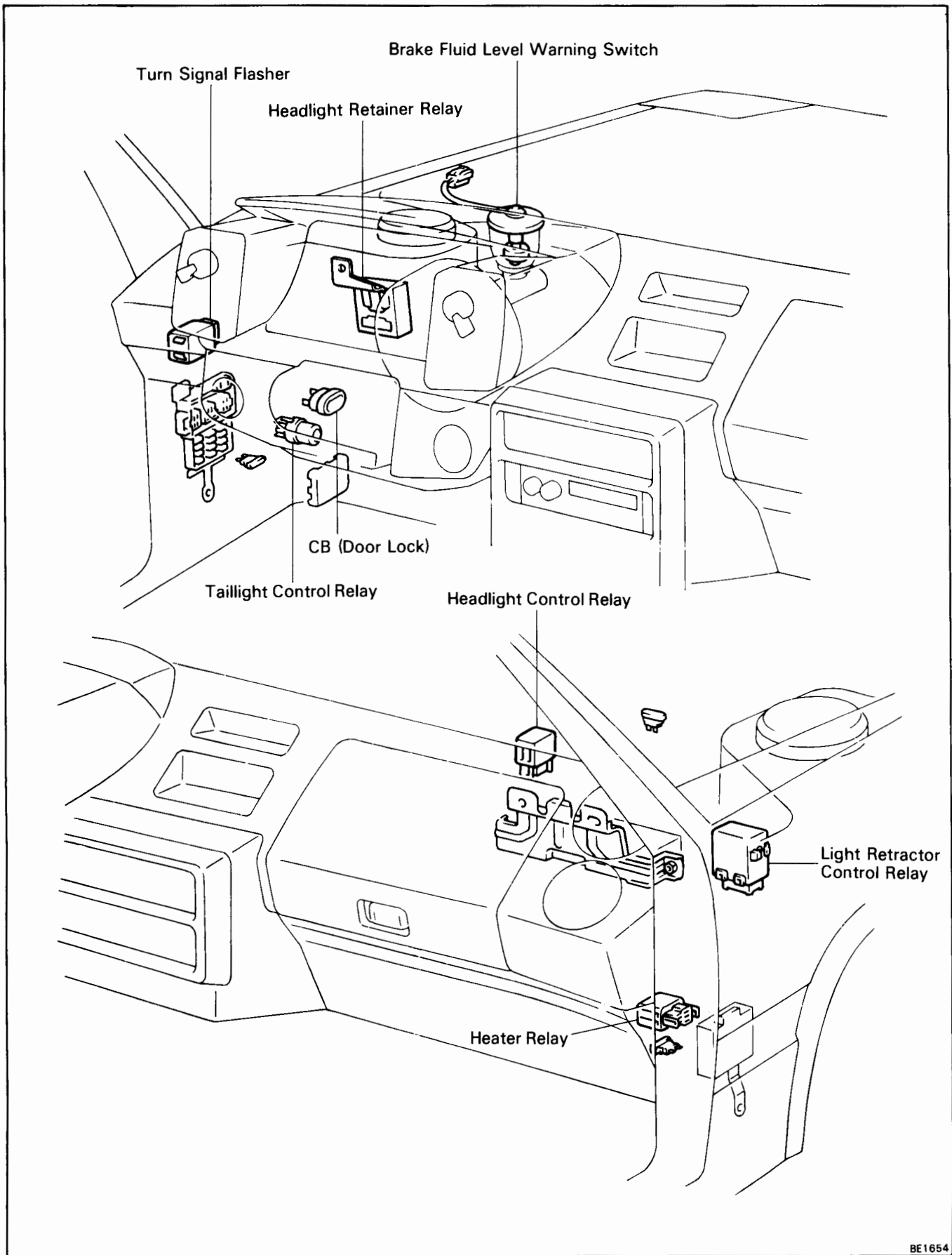
## ENGINE COMPARTMENT SWITCHES AND RELAYS



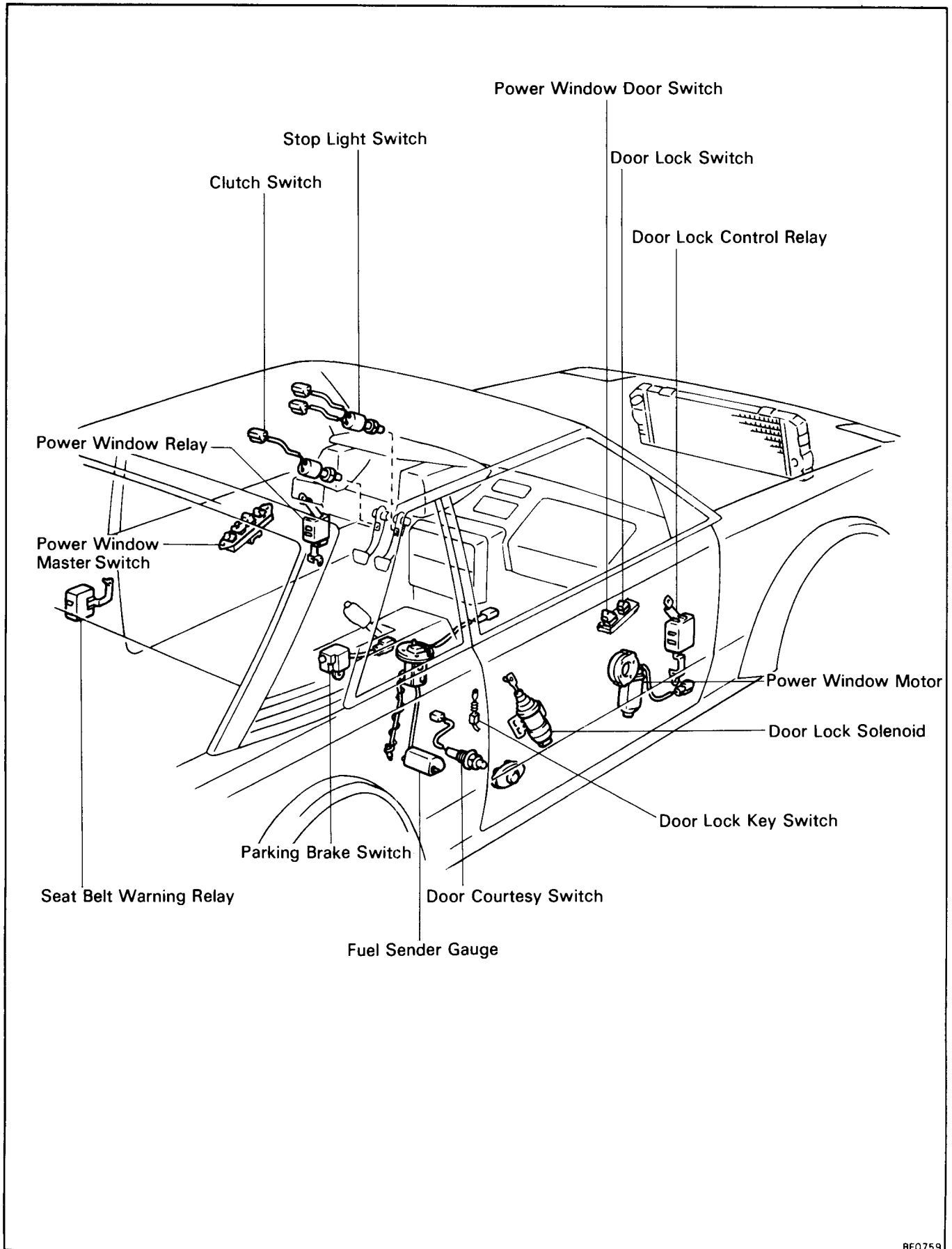
### INSTRUMENT PANEL SWITCHES AND RELAYS



### PASSENGER COMPARTMENT SWITCHES AND RELAYS



### PASSENGER AND LUGGAGE COMPARTMENT SWITCHES AND RELAYS

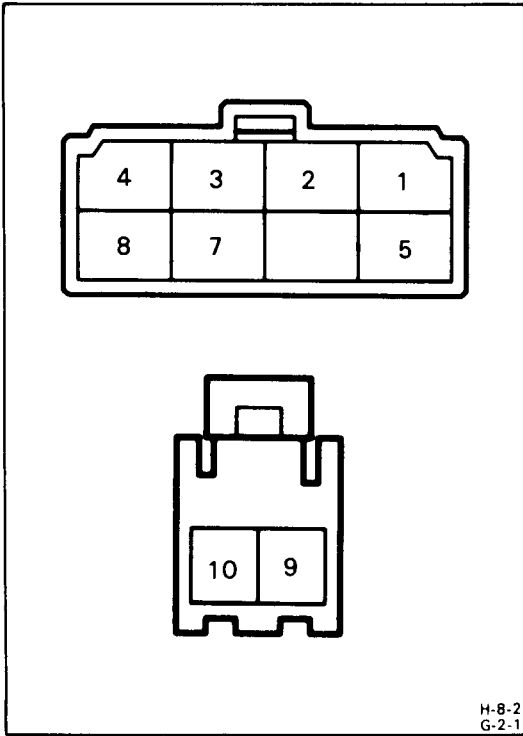


# IGNITION SWITCH

## INSPECTION OF IGNITION SWITCH

### INSPECT SWITCH CONTINUITY

Inspect the switch continuity between terminals.



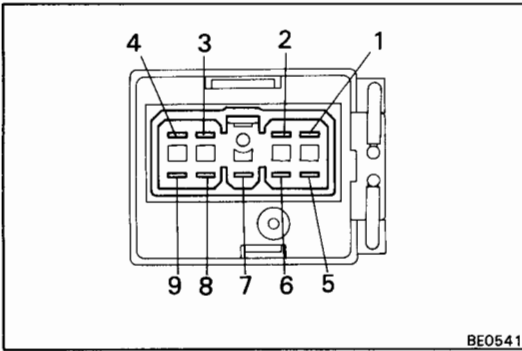
Terminal		Switch position											
		4	3	2	1	8	7	5	9	10			
Switch position	LOCK												
	ACC	○—○											
	ON	○—○—○				○—○							
	START	○—○—○—○				○—○—○							
Warning	Normal												
	Push										○—○		

If continuity is not as specified, replace the switch.

## LIGHTING

### Troubleshooting

Problem	Possible cause	Remedy	Page
Only one light does not light (all exterior)	Light bulb burned out Socket, wire or ground faulty	Replace bulb Repair as necessary	
Headlights do not flip up	Fusible link blown RTR MTR fuse blown Light retractor control relay faulty Light retractor motor faulty Wiring or ground faulty	Replace fusible link Replace fuse and check for short Check relay Check motor Repair as necessary	BE-4 BE-16 BE-17
No headlights light	Fusible link blown Headlight control relay faulty Light control switch faulty Wiring or ground faulty	Replace fusible link Check relay Check switch Repair as necessary	BE-14 BE-12
High beam headlights or headlight flasher do not operate	Light control switch faulty Wiring faulty	Check switch Repair as necessary	BE-12
Tail, parking and license lights do not light	TAIL fuse blown Fusible link blown Taillight control relay faulty Light control switch faulty Wiring or ground faulty	Replace fuse and check for short Replace fusible link Check relay Check switch Repair as necessary	BE-4 BE-14 BE-12
Stop lights do not light	STOP fuse blown Stop light switch faulty Wiring or ground faulty	Replace fuse and check for short Adjust or replace switch Repair as necessary	BE-4
Stop lights stay on	Stop light switch faulty	Adjust or replace switch	
Instrument lights do not light (taillights light)	Light control rheostat faulty Wiring or ground faulty	Check rheostat Repair as necessary	BE-12
Turn signal does not flash on one side	Turn signal switch faulty Wiring or ground faulty	Check switch Repair as necessary	BE-18
Turn signals do not operate	TURN GAG fuse blown Turn signal flasher faulty Turn signal/hazard switch faulty Wiring or ground faulty	Replace fuse and check for short Check flasher Check switch Repair as necessary	BE-4 BE-18 BE-17
Hazard warning lights do not operate	HAZ-RADIO fuse blown Turn signal flasher faulty Turn signal/hazard switch faulty Wiring or ground faulty	Replace fuse and check for short Check flasher Check switch Repair as necessary	BE-4 BE-18 BE-17



## Light Control Switch and Rheostat

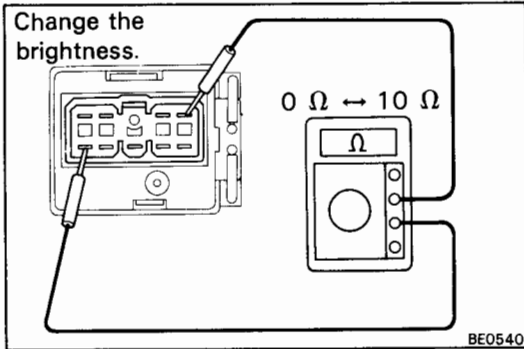
### INSPECTION OF LIGHT CONTROL SWITCH AND RHEOSTAT

#### 1. INSPECT LIGHT CONTROL SWITCH CONTINUITY

Inspect the switch continuity between terminals.

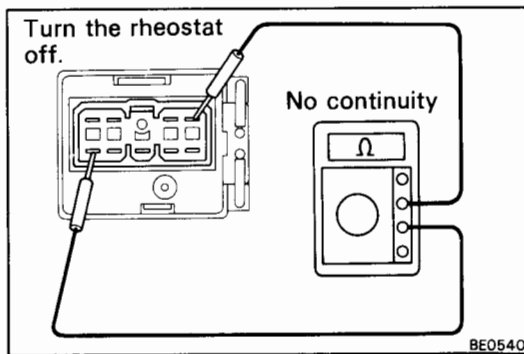
Terminal Switch position	9	8	4	7
OFF				
TAIL	○	○		
HEAD	○	○	○	○
HOLD	○	○	○	○

If continuity is not as specified, replace the switch.



#### 2. INSPECT OPERATION OF LIGHT CONTROL RHEOSTAT

- (a) Gradually change the brightness of rheostat from maximum to minimum, check that the resistance between terminals 1 and 9 increase from 0 Ω to 10 Ω.

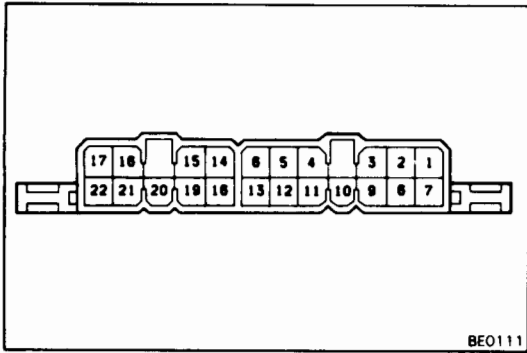


- (b) Check that there is no continuity between terminals 1 and 9 with the rheostat turned off.

If operation is not as specified, replace the switch.

#### 3. CHECK THAT IDLE INCREASES

Start the engine. When the light control switch to TAIL, engine revolution should increase.



BE0111

## Headlight Dimmer Switch

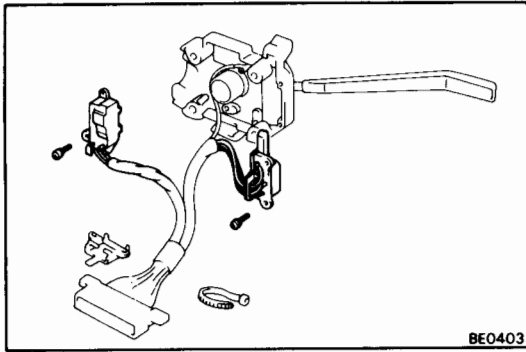
### INSPECTION OF HEADLIGHT DIMMER SWITCH

#### INSPECT CONTINUITY OF HEADLIGHT DIMMER SWITCH

Inspect the switch continuity between terminals.

Switch position \ Terminal (Wire color)	13 ED (W-B)	6 HL (R-G)	5 HU (R-Y)	12 HF (R-W)
Flash	○	—	○	○
Low Beam	○	○		
High Beam	○		○	

If continuity is not as specified, replace the switch.

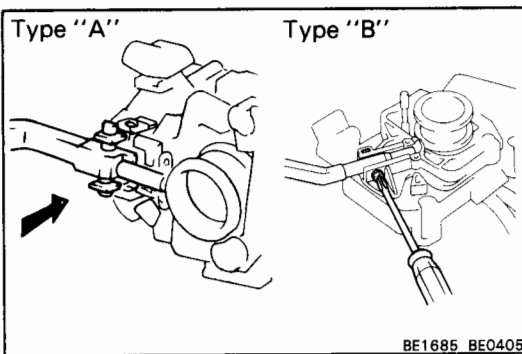


BE0403

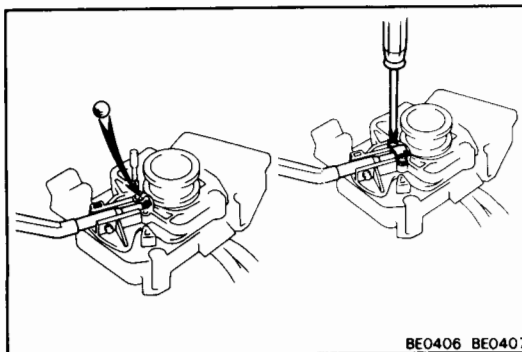
### REPLACEMENT OF HEADLIGHT DIMMER SWITCH

#### REPLACE HEADLIGHT DIMMER SWITCH

- (a) Remove the terminals from the connector. (See pages BE-2, 3)
- (b) Remove the turn signal and hazard warning switch.
- (c) Remove the headlight dimmer switch.
- (d) Install the headlight dimmer switch.
- (e) Insert the spring into the lever.
- (f) Push in the hinge of the lever to the switch body. (Type "A")
- (g) Install the lever to the switch body with the screw and nut. (Type "B")
- (h) Place the ball on the spring, position the lever at HI and install the plate.

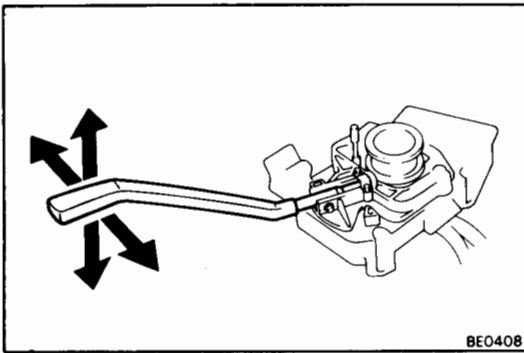


BE1685 BE0405



BE0406 BE0407



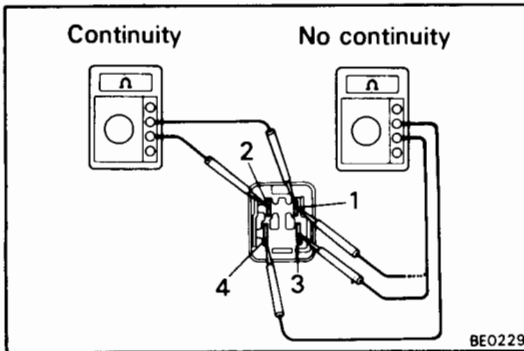


BE0408

- (i) Insure that the switch operates smoothly.
- (j) Install the terminals to the connector.  
(See pages BE-3, 13)

## Headlight Control Relay

### INSPECTION OF HEADLIGHT CONTROL RELAY

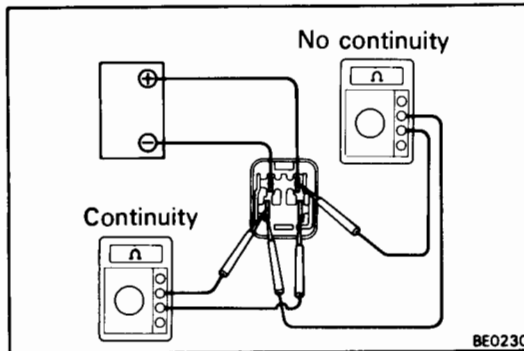


BE0229

#### 1. INSPECT RELAY CONTINUITY

- (a) Check that there is continuity between terminals 1 and 2.
- (b) Check that there is no continuity between terminals 3 and 4.
- (c) Check that there is no continuity between terminals 1 and 4.

If continuity is not as specified, replace the relay.

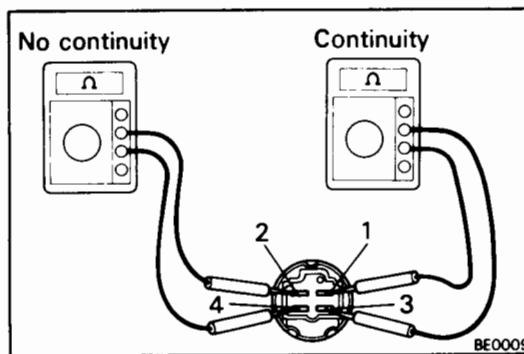


BE0230

#### 2. INSPECT RELAY OPERATION

- (a) Apply battery voltage across terminals 1 and 2.
- (b) Check that there is continuity between terminals 3 and 4.
- (c) Check that there is no continuity between terminals 1 and 4.

If operation is not as described, replace the relay.



BE0009

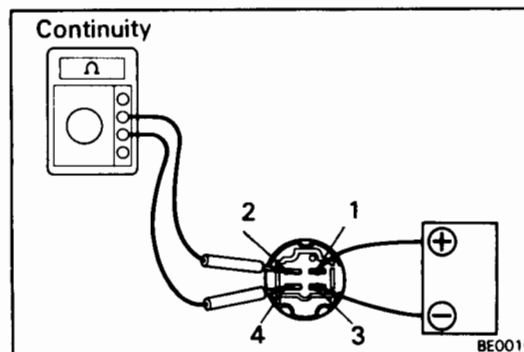
## Taillight Control Relay

### INSPECTION OF TAILLIGHT CONTROL RELAY

#### 1. INSPECT RELAY CONTINUITY

- (a) Check that there is continuity between terminals 1 and 3.
- (b) Check that there is no continuity between terminals 2 and 4.
- (c) Check that there is no continuity between terminals 3 and 4.

If continuity is not as specified, replace the relay.



BE0010

#### 2. INSPECT RELAY OPERATION

- (a) Apply battery voltage across terminals 1 and 3.
- (b) Check that there is continuity between terminals 2 and 4.
- (c) Check that there is no continuity between terminals 3 and 4.

If operation is not as described, replace the relay.

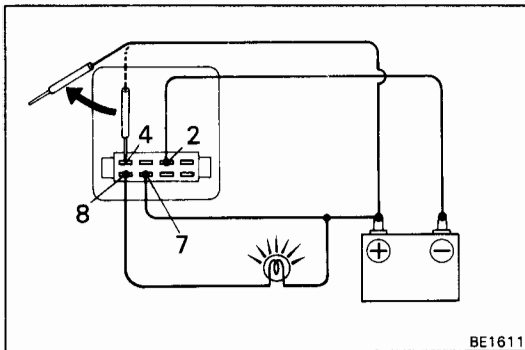
# Headlight Retainer Relay

## INSPECTION OF HEADLIGHT RETAINER RELAY

### 1. INSPECT HEADLIGHT CIRCUIT OPERATION

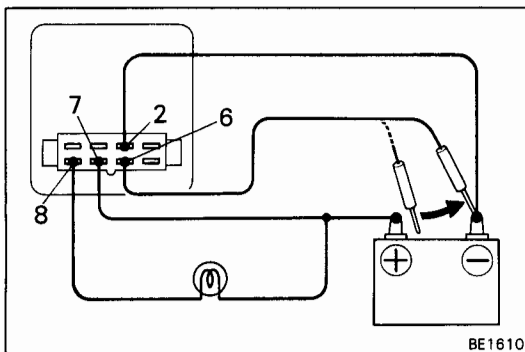
Connect the positive (+) leads from the battery to terminals 4 and 7. Connect the negative (-) lead to terminal 2. Connect the 3.4W test bulb between terminal 8 and positive (+) lead from the battery.

- (a) Disconnect the positive (+) lead from the terminal 4. Check that the test bulb is lighting.



- (b) Connect the negative (-) lead to the terminal 6. Check that the test bulb does not light.

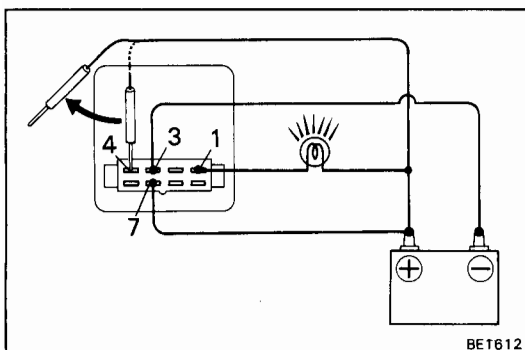
If operation is not as specified, replace the relay.



### 2. INSPECT TAILLIGHT CIRCUIT OPERATION

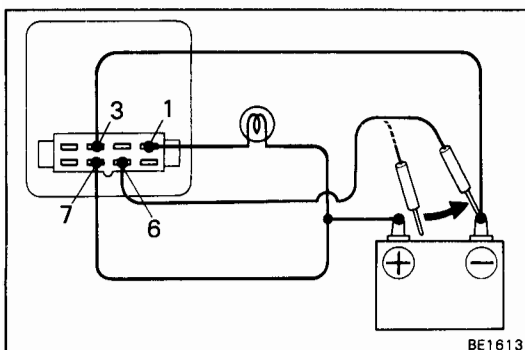
Connect the positive (+) lead from the battery to terminals 4 and 7. Connect the negative (-) lead to terminal 3. Connect the 3.4W test bulb between terminal 1 and positive (+) lead from the battery.

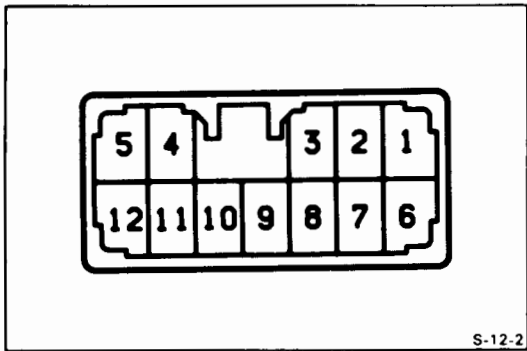
- (a) Disconnect the positive (+) lead from the terminal 4. Check that the test bulb is lighting.



- (b) Connect the negative (-) lead to terminal 6. Check that the test bulb does not light.

If operation is not as specified, replace the relay.





## Light Retractor Control Relay

### INSPECTION OF LIGHT RETRACTOR CONTROL RELAY

#### 1. INSPECT RELAY CONTINUITY

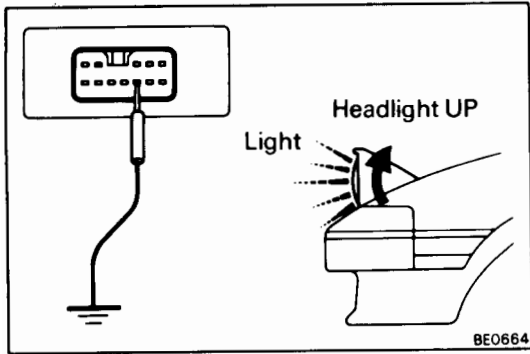
Inspect the relay continuity between terminals.

Terminal	1	2	3	4	5	12
Condition						
Standard inspection	○	○	○	○	○	○
With battery voltage applied between terminals 3 and 2	○	○				
With battery voltage applied between terminals 3 and 5			○	○		

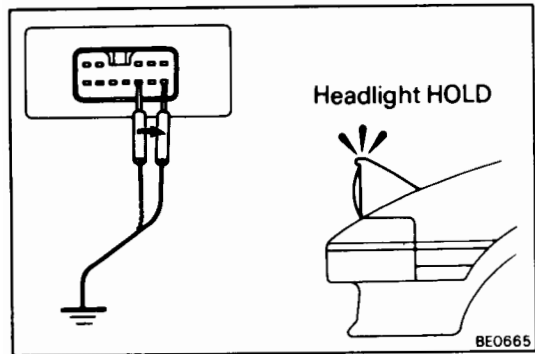
If continuity is not as specified, replace the relay.

#### 2. INSPECT RELAY OPERATION

(a) With the light control switch off, connector connected, and terminal 8 grounded, raise the headlights with the lights lit.

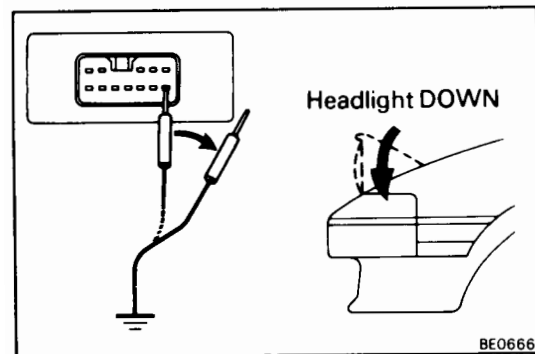


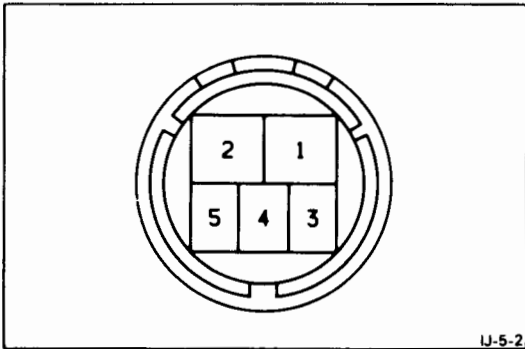
(b) Quickly ground terminal 6. The light will go out, but the headlight will remain up.



(c) When terminal 6 is taken off ground, the headlights will flip down.

If operation is not as specified, replace the relay.





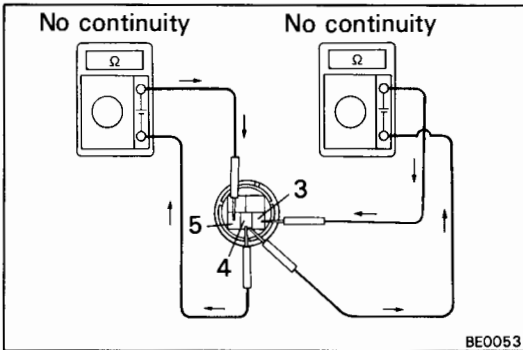
## Light Retractor Motor

### INSPECTION OF LIGHT RETRACTOR MOTOR

#### 1. INSPECT MOTOR OPERATION

Connect the positive (+) lead from the battery to terminal 2 and connect the negative (-) lead to terminal 1. Check that the motor operates.

If there is no motor operation, replace the motor.

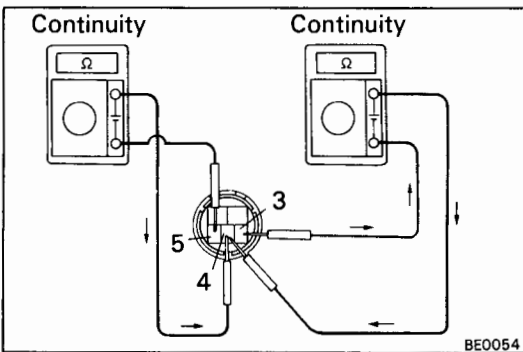


#### 2. INSPECT DIODE CONTINUITY OF MOTOR

(a) Operate the motor to position except the uppermost or lowermost position.

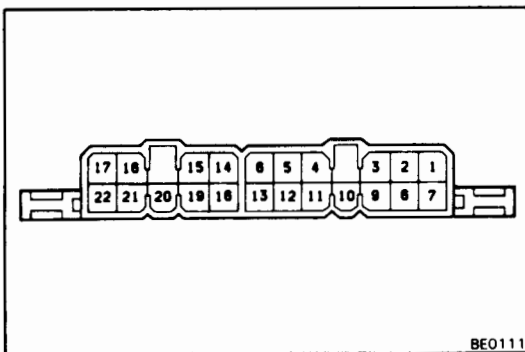
(b) Connect the ohmmeter test lead so that the current from the meter can flow from terminal 5 to 4, check that there is no continuity.

(c) Connect the ohmmeter test lead so that the current from the meter can flow from terminal 3 to 4, check that there is no continuity.



(d) Reverse the test leads of ohmmeter, check that there is continuity.

If continuity is not as specified, replace the motor.



## Turn Signal and Hazard Warning Switch

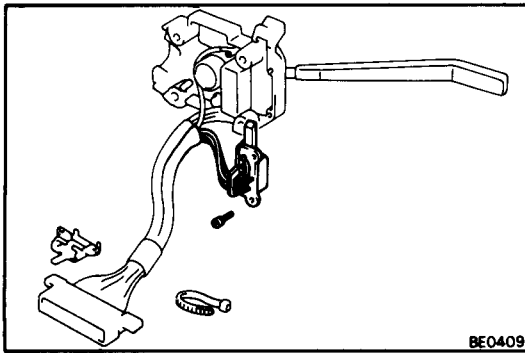
### INSPECTION OF TURN SIGNAL AND HAZARD WARNING SWITCH

#### INSPECT TURN SIGNAL AND HAZARD WARNING SWITCH

Inspect switch continuity between terminals.

Terminal (Wire color)		9	3	8	2	7	1
		TL (G-B)	TB (G-W)	TR (G-Y)	B1 (G-L)	F (G)	B2 (G-O)
Turn signal	L	○—○			○—○		
	N				○—○		
	R		○—○		○—○		
Hazard	ON	○—○	○—○			○—○	

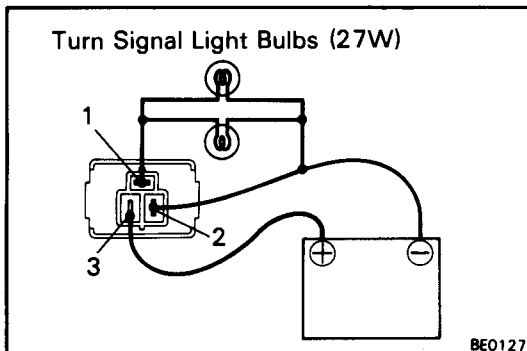
If continuity is not as specified, replace the switch.



## REPLACEMENT OF TURN SIGNAL AND HAZARD WARNING SWITCH

### REPLACE TURN SIGNAL AND HAZARD WARNING SWITCH

- (a) Remove the terminals from the connector.  
(See pages BE-2, 3)
- (b) Remove the turn signal and hazard switch.
- (c) Install the turn signal and hazard switch.
- (d) Install the terminals to the connector.  
(See pages BE-3, 17)



## Turn Signal Flasher

### INSPECTION OF TURN SIGNAL FLASHER

#### INSPECT RELAY OPERATION

- (a) Connect the positive (+) lead from the battery to terminal 3 and the negative (-) lead to terminal 2.
- (b) Connect the two turn signal light bulbs parallel to each other to terminals 1 and 2.  
Check that the bulbs turn on and off.

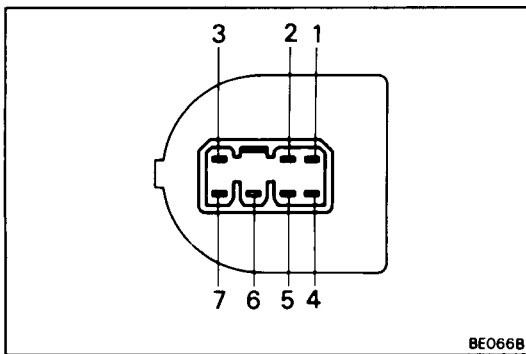
**NOTE:** The turn signal lights should flash 60 to 120 times per minute.

If one of the front or rear turn signal lights has an open circuit, the number of flashes will be more than 140 per minute.

If operation is not as specified, replace the flasher.

## WIPER AND WASHER Troubleshooting

Problem	Possible cause	Remedy	Page
Wiper does not operate or return to off position	WIPER fuse blown	Replace fuse and check for short	BE-4
	Wiper motor faulty	Check motor	BE-20
	Wiper control switch faulty	Check switch	BE-19
	Wiring or ground faulty	Repair as necessary	
Wiper does not operate in INT position	Wiper control switch faulty	Check switch	BE-19
	Wiper motor faulty	Check motor	BE-20
	Wiring or ground faulty	Repair as necessary	
Washer does not operate	Washer hose or nozzle clogged	Repair as necessary	BE-19
	Wiper control switch faulty	Check switch	
	Wiring faulty	Repair as necessary	



### Wiper and Washer Switch

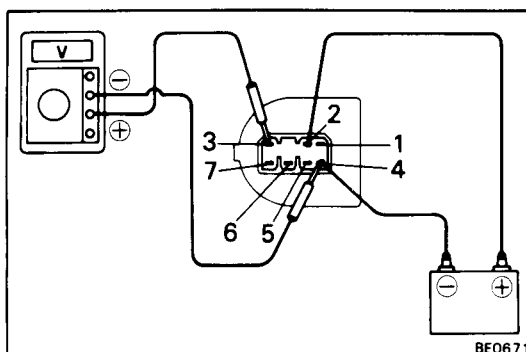
#### INSPECTION OF WIPER AND WASHER SWITCH

##### 1. INSPECT WIPER AND WASHER SWITCH CONTINUITY

Inspect the switch continuity between terminals.

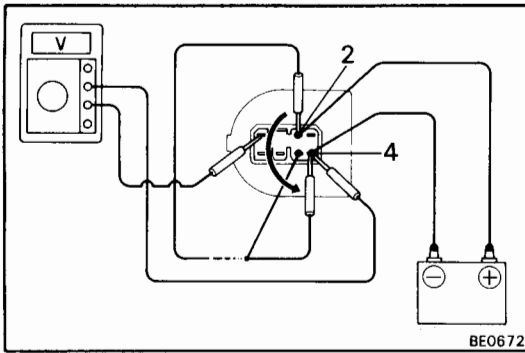
Terminal Switch position	2 +B	1 +2	3 +1	5 +S	4 E	7 W
MIST	○	—	○			
OFF			○	—	○	
INT			○	—	○	
LO	○	—	○			
HI	○	—	○			
Washer					○	—

If continuity is not as specified, replace the switch.



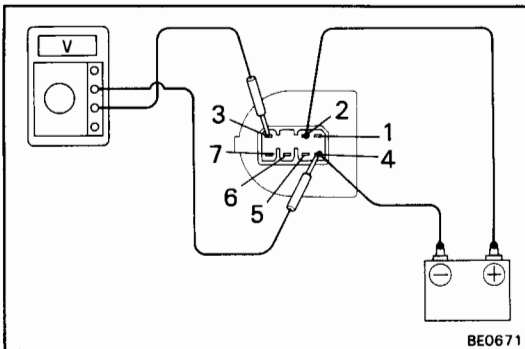
##### 2. INSPECT INTERMITTENT OPERATION

- (a) Turn the wiper switch to INT position.
- (b) Connect the positive (+) lead from the battery to terminal 2 and the negative (-) lead to terminal 4.
- (c) Connect the positive (+) lead from the voltmeter to terminal 3 and the negative (-) lead to terminal 4. Check that the meter needle indicates battery voltage.



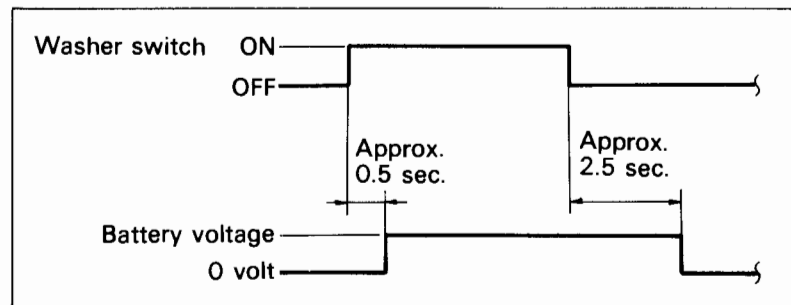
- (d) After connecting terminal 5 to terminal 2, connect it to terminal 4.  
Then, check that the voltage rises from 0 volts to battery voltage within 3 to 5 seconds.

If operation is not as specified, replace the switch.

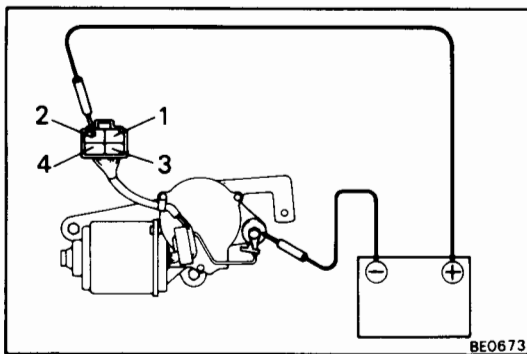


### 3. INSPECT WASHER SWITCH OPERATION

- (a) Connect the positive (+) lead from the battery to terminal 2 and the negative (-) lead to terminal 4.  
(b) Connect the positive (+) lead from the voltmeter to terminal 3 and the negative (-) lead to terminal 4.  
(c) Push in the washer switch. Check that the voltage changes as shown in the table.



If operation is not as specified, replace the wiper and washer switch.



## Wiper Motor

### INSPECTION OF WIPER MOTOR

#### 1. INSPECT THAT MOTOR OPERATES AT LOW SPEED

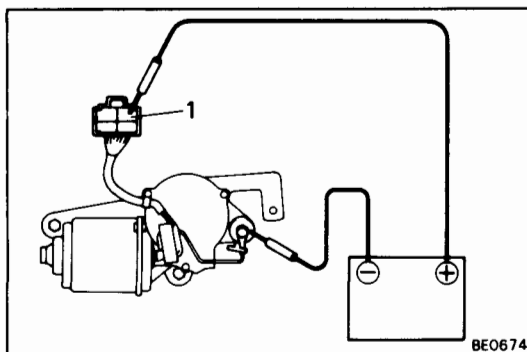
- (a) Disconnect the connector from the wiper motor.  
(b) Connect the positive (+) lead from the battery to terminal 2. Connect the negative (-) lead to the motor body.  
(c) Check that the motor operates at low speed.

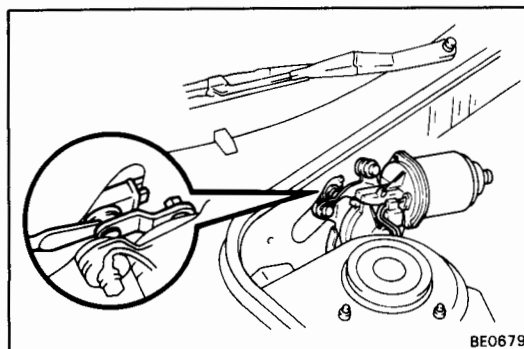
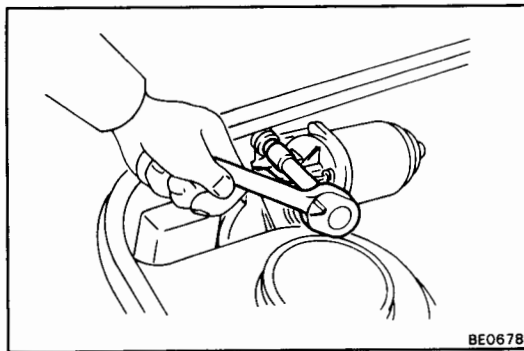
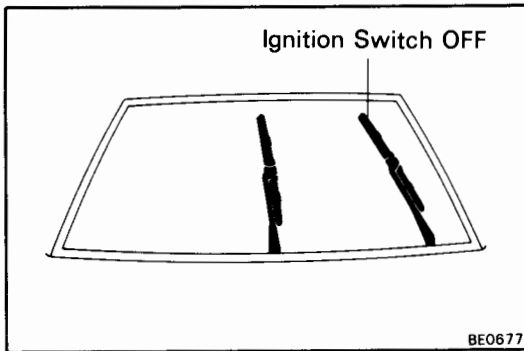
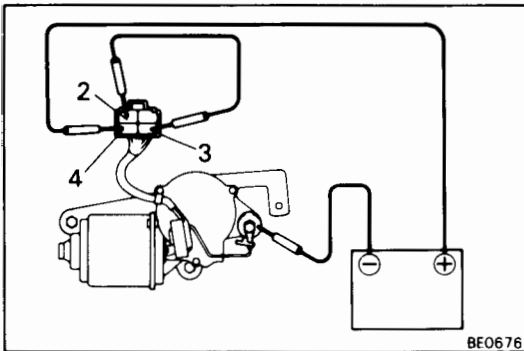
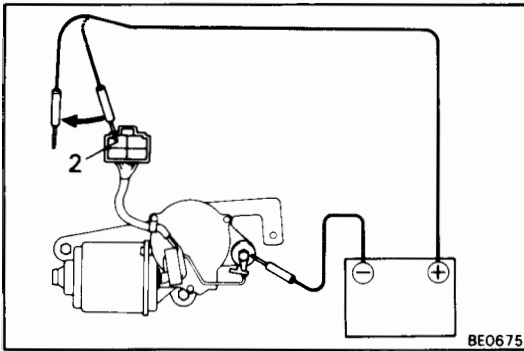
If operation is not as specified, replace the motor.

#### 2. INSPECT THAT MOTOR OPERATES AT HIGH SPEED

- (a) Connect the positive (+) lead from the battery to terminal 1. Connect the negative (-) lead to the motor body.  
(b) Check that the motor operates at high speed.

If operation is not as specified, replace the motor.





**3. INSPECT THAT MOTOR OPERATES, STOPPING AT STOP POSITION**

- (a) Operate the motor at low speed.
- (b) Stop motor operation anywhere except stop position by disconnecting terminal 2.

- (c) Connect terminals 2 and 3.
- (d) Connect the positive (+) lead from the battery to terminal 4.
- (e) Check that the motor stops running at stop position after the motor operates again.

If operation is not as specified, replace the motor.

**REPLACEMENT OF WIPER MOTOR**

**1. STOP WIPER ARM IN UP POSITION**

- (a) Turn the ignition switch to ON.
- (b) Turn the wiper switch to low.
- (c) With the wiper arm up, turn the ignition switch OFF.

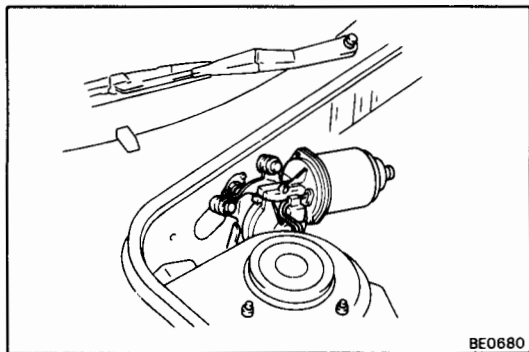
NOTE: If the wiper motor does not operate, disassemble motor and remove the armature.

**2. REMOVE WIPER MOTOR**

- (a) Disconnect the connector from the wiper motor.
- (b) Remove the light retractor relay from the wiper bracket.
- (c) Remove the wiper motor set bolts.

- (d) Lower the wiper arm by hand until it stops. Then hook the wiper link's hook onto the dash panel service hole.
- (e) Using a screwdriver, disconnect the motor from the wiper link.



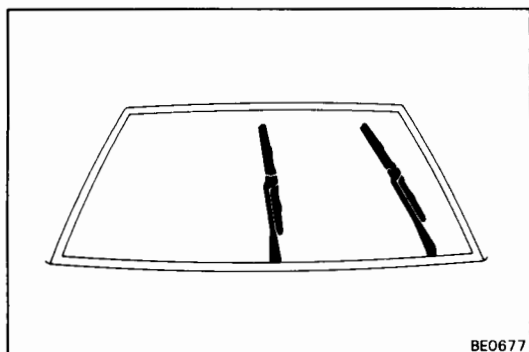


### 3. INSTALL WIPER MOTOR

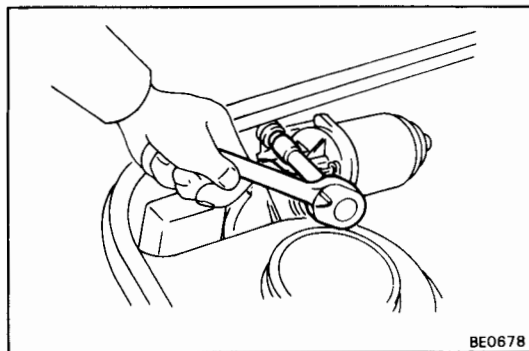
(a) Connect the wiper motor to wiper link.

**CAUTION:** When replacing the motor, rotate the motor crank 180° from the auto-stop position.

**NOTE:** Supply parts motors come with the crank already rotated.



(b) Move the wiper arm to the up position by hand.



(c) Install the wiper motor set bolts.

(d) Connect the wiper motor connector.

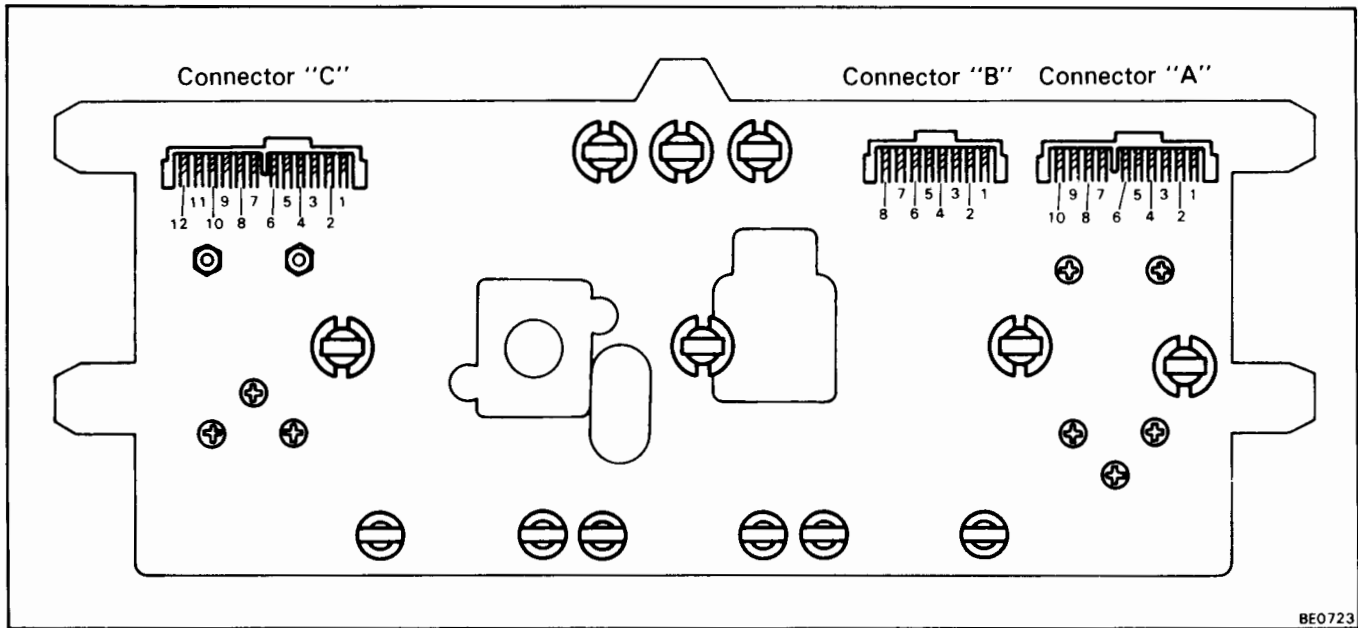
(e) Install the light retractor control relay to the wiper motor bracket.

## INSTRUMENTS, GAUGES AND WARNING LIGHTS

### Troubleshooting

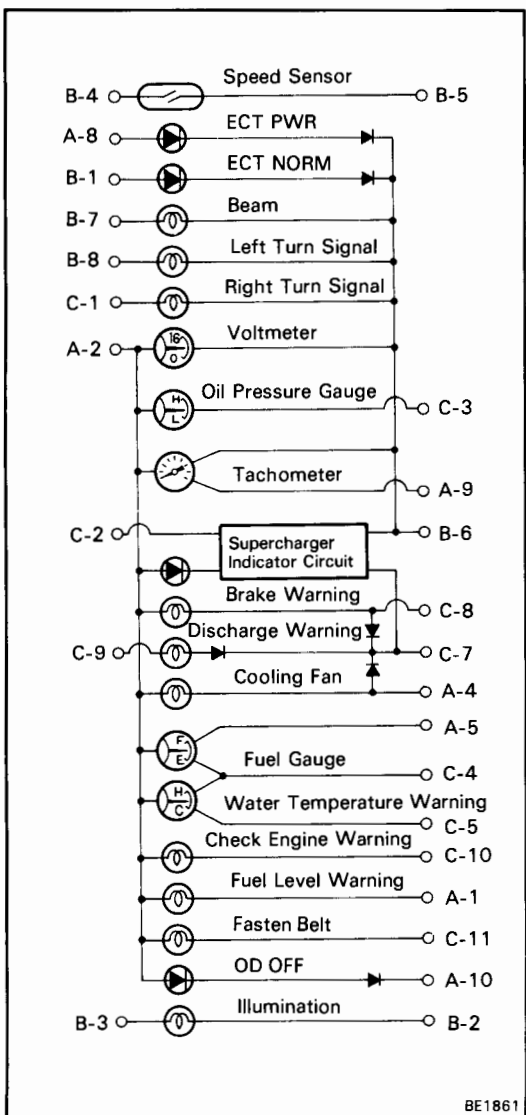
Problem	Possible cause	Remedy	Page
Voltmeter does not work	Fuses blown	Replace in-line fuses and check for short	BE-4
	Voltmeter faulty	Check voltmeter	BE-25
	Wiring faulty	Repair as necessary	
Tachometer does not work	“TURN GAG” fuse blown	Replace fuse and check for short	BE-4
	Tachometer faulty	Check tachometer	BE-25
	Wiring faulty	Repair as necessary	
Fuel gauge does not work	“TURN GAG” fuse blown	Replace fuse and check for short	BE-4
	Fuel gauge faulty	Check gauge	BE-26
	Sender gauge faulty	Check sender gauge	BE-26
	Wiring or ground faulty	Repair as necessary	
Fuel level warning light does not work	“TURN GAG” fuse blown	Replace fuse and check for short	BE-4
	Bulb burned out	Replace bulb	
	Fuel level warning switch faulty	Check switch	BE-27
	Wiring or ground faulty	Repair as necessary	
Water temperature gauge does not work	“TURN GAG” fuse blown	Replace fuse and check for short	BE-4
	Water temperature receiver gauge faulty	Check gauge	BE-27
	Water temperature sender gauge faulty	Check sender gauge	BE-28
	Wiring or ground faulty	Repair as necessary	
Oil pressure receiver gauge does not work	“TURN GAG” fuse blown	Replace fuse and check for short	BE-4
	Oil pressure receiver gauge faulty	Check receiver gauge	BE-28
	Oil pressure sender gauge faulty	Check sender gauge	BE-28
	Wiring or ground faulty	Repair as necessary	
Brake warning light does not light	“TURN GAG” fuse blown	Replace fuse and check for short	BE-4
	Bulb burned out	Replace bulb	
	Brake fluid level warning switch faulty	Check switch	BE-29
	Parking brake switch faulty	Check switch	BE-29
	Wiring or ground faulty	Repair as necessary	
Discharge warning light does not light	“CHARGE” fuse blown	Replace fuse and check for short	BE-4
	Bulb burned out	Replace bulb	
	Wiring faulty	Repair as necessary	

# Combination Meter and Gauge



BE0723

## COMBINATION METER CIRCUIT



BE1861

No.	Wiring connector side
A	1 Fuel Level Warning Switch Terminal 2
	2 TURN GAG Fuse
	4 Cooling Fan Computer
	5 Fuel Sender Gauge Terminal 1
	8 ECT Select Switch
B	9 Igniter Terminal 4
	10 OD Main Switch
	1 ECT Select Switch
	2 Light Control Rheostat Terminal 1
	3 TAIL Fuse
	4 TCCS ECU and Cruise Control Computer Terminal 7
	5 Ground
	6 Ground
7 Turn Signal Switch Terminal 6	
8 Turn Signal Switch Terminal 9	
C	1 Turn Signal Switch Terminal 8
	2 TCCS ECU
	3 Oil Pressure Sender Gauge
	4 Ground
	5 Water Temperature Sender Gauge
	7 CHARGE Fuse
	8 Parking Brake Switch Terminal 1 and Brake Fluid Level Warning Switch Terminal 1
	9 Ignition Switch Terminal 2
	10 TCCS ECU
	11 Seat Belt Warning Relay Terminal 5

[km/h]	
Standard indication	Allowable range
20	18 – 23
40	40 – 44
60	60 – 64.5
80	80 – 85
100	100 – 105
120	120 – 125.5
140	140 – 146
160	160 – 167
180	180 – 188
200	200 – 209

[mph]	
Standard indication	Allowable range
20	20 – 23
40	40 – 43.5
60	60 – 64
80	80 – 84.5
100	100 – 105
120	120 – 125.5

DC 13.5 V 25°C (77°F) [rpm]	
Standard indication	Allowable range
700	610 – 750
800	710 – 850
1,000	940 – 1,140
2,000	1,940 – 2,240
3,000	2,930 – 3,330
4,000	3,970 – 4,370
5,000	5,000 – 5,400
6,000	6,000 – 6,500
7,000	6,990 – 7,590
8,000	8,030 – 8,630

## Speedometer

### ON-VEHICLE INSPECTION OF SPEEDOMETER

- (a) Using a speedometer tester, inspect the speedometer for allowable indication error and check the operation of the odometer.

NOTE: Tire wear and tire over or under inflation will increase the indication error.

If error is excessive, replace the speedometer.

- (b) Check the speedometer for pointer vibration and abnormal noise.

NOTE: Pointer vibration can be caused by a loose speedometer cable.

## Tachometer

### ON-VEHICLE INSPECTION OF TACHOMETER

- (a) Connect a tune-up test tachometer, and start the engine.

#### CAUTION:

- Reversing the connection of the tachometer will damage the transistors and diodes inside.
- When removing or installing the tachometer, be careful not to drop or subject it to any heavy shocks.

- (b) Compare the tester and tachometer indication.

If error is excessive, replace the tachometer.

## Voltmeter

### INSPECTION OF VOLTMETER

Compare the tester and voltmeter indications.

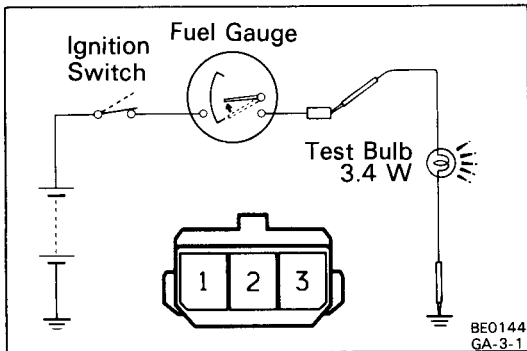
If error is excessive, replace the voltmeter.

## Fuel Gauge

### INSPECTION OF FUEL GAUGE

#### 1. INSPECT RECEIVER GAUGE OPERATION

- (a) Disconnect the connector from the fuel sender gauge. Turn ignition switch on. Check that the receiver gauge needle moves to the empty position.



- (b) Connect a 3.4 W bulb between terminal 1 and body ground. Check that the bulb lights and that the receiver gauge needle operates.

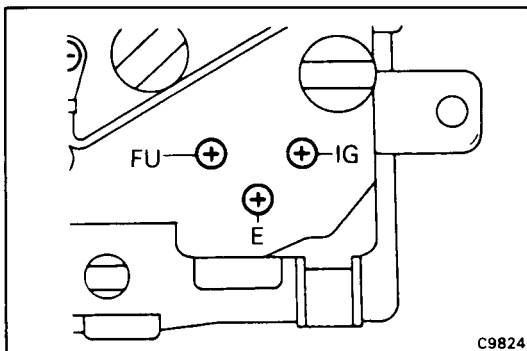
NOTE: Because of the silicon oil in the gauge, it will take about 180 seconds for the needle to stabilize.

If indications are not correct, remove and test the receiver gauge.

#### 2. MEASURE RECEIVER GAUGE RESISTANCE BETWEEN TERMINALS

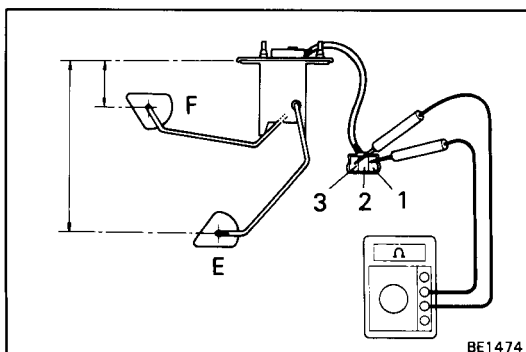
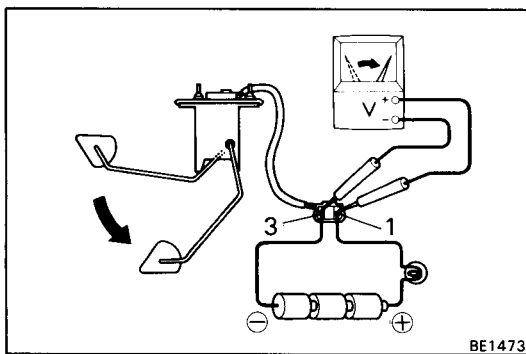
Between terminals	Resistance ( $\Omega$ )
IG - E	Approx. 203.2
FU - E	Approx. 101.3
IG - FU	Approx. 101.9

If each resistance value is not as shown in the table above, replace the receiver gauge.



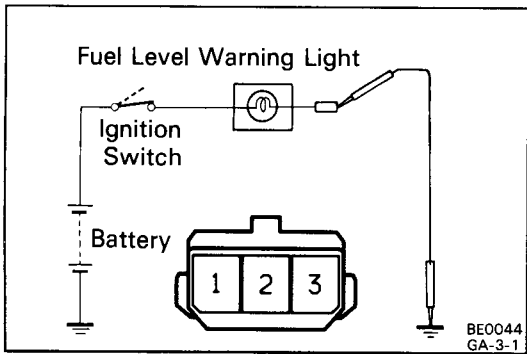
#### 3. INSPECT SENDER GAUGE OPERATION

- (a) Connect a series of three 1.5 V dry cell batteries.
- (b) Connect the positive (+) lead from the dry cell batteries to terminal 1 through a 3.4 W test bulb and the negative (-) lead to terminal 3.
- (c) Check that the voltage rises between terminals 1 and 3 as the float is moved from the top to bottom position.
- (d) Measure the resistance between terminals 1 and 3 for each float position.



	Float position	mm (in.)	Resistance ( $\Omega$ )
F	69.5 $\pm$ 3	(2.736 $\pm$ 0.12)	3 $\pm$ 1
E	241 $\pm$ 3	(9.49 $\pm$ 0.12)	110 $\pm$ 7.7

If each resistance value is not as shown in the table above, replace the receiver gauge.

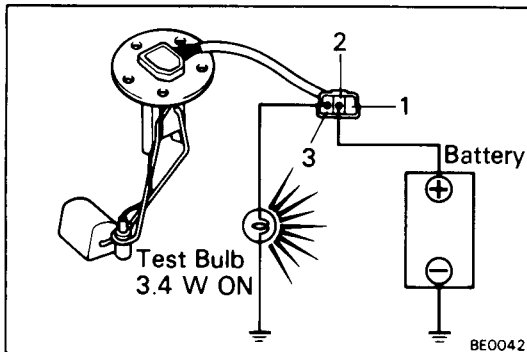


## Fuel Level Warning

### INSPECTION OF FUEL LEVEL WARNING

#### 1. INSPECT WARNING LIGHT OPERATION

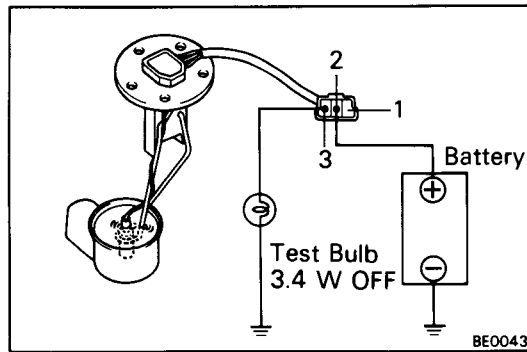
- (a) Disconnect the connector from the fuel sender gauge. Connect terminal 2 and body ground.
- (b) Turn the ignition switch. Check that the bulb lights. If operation is not correct, remove and test the bulb.



#### 2. INSPECT LEVEL WARNING SWITCH OPERATION

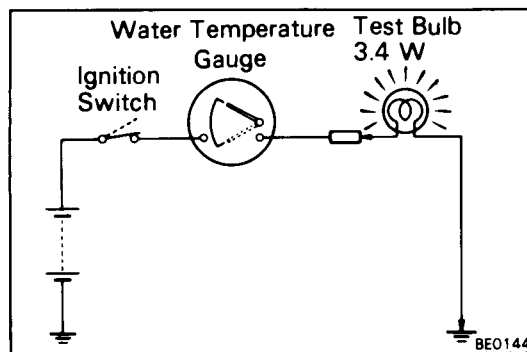
- (a) Apply battery voltage between terminals 2 and 3 through a 3.4 W bulb. Check that the bulb lights.

NOTE: It will take a short time for the bulb to light.



- (b) Submerge the switch in gasoline. Check that the bulb goes out.

If operation is not correct, replace the sender gauge.



## Water Temperature Gauge

### INSPECTION OF WATER TEMPERATURE GAUGE

#### 1. INSPECT RECEIVER GAUGE OPERATION

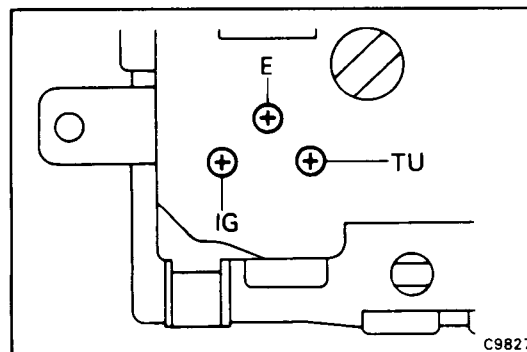
- (a) Disconnect the connector from the sender gauge. Ground the terminal through a 3.4 W bulb.
- (b) Turn the ignition switch on. Check that the bulb lights and that the receiver gauge needle operates.

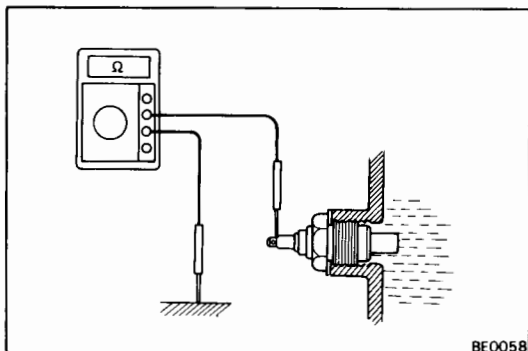
If indication is not correct, remove and test the receiver gauge.

#### 2. MEASURE RECEIVER GAUGE RESISTANCE BETWEEN TERMINALS

Between terminals	Resistance ( $\Omega$ )
IG - E	145.8
TU - E	201.8
IG - TU	56

If each resistance value is not as shown in the table above, replace the receiver gauge.





### 3. MEASURE SENDER GAUGE RESISTANCE

Measure the resistance between the terminal and ground.

Water temperature °C (°F)	Resistance (Ω)
50 (122)	226 $\pm$ 33.6 -33.6
115 (239)	26.4 $\pm$ 1.71 -2.21

If each resistance value is not as shown in the table above, replace the sender gauge.

## Oil Pressure Gauge

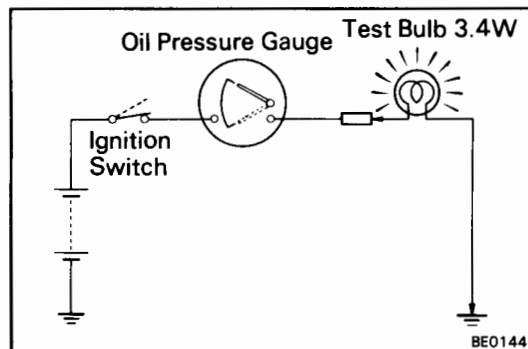
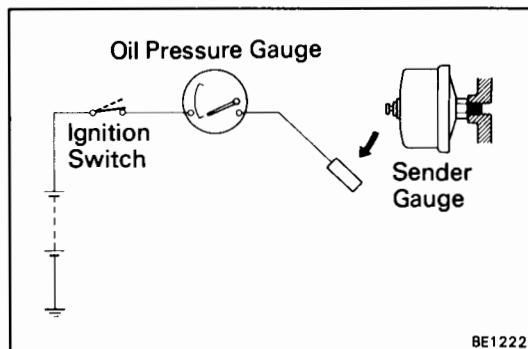
### INSPECTION OF GAUGE

#### 1. INSPECT RECEIVER GAUGE OPERATION

- Disconnect the connector from the sender gauge.
- Turn the ignition switch on. Check that the receiver gauge needle moves to the low position.

- Ground the terminal on the wire harness side connector through a 3.4 W test bulb. Check that the receiver gauge needle moves to the high side.

If operation is not as specified, measure the receiver gauge resistance.

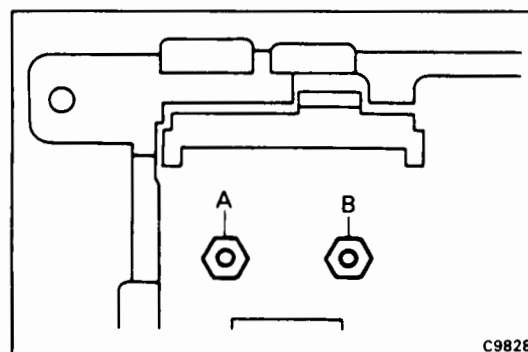


#### 2. MEASURE RESISTANCE OF RECEIVER GAUGE

Using an ohmmeter, measure the resistance between terminals A and B.

**Resistance: Approx. 42 Ω**

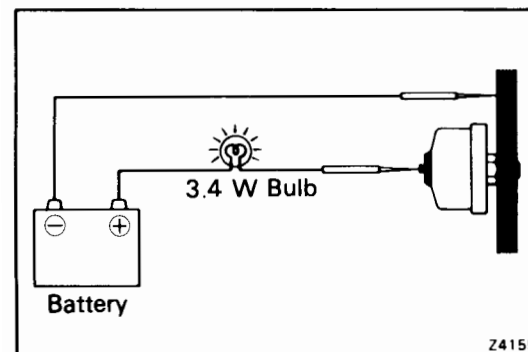
If resistance value is not correct, replace the receiver gauge.

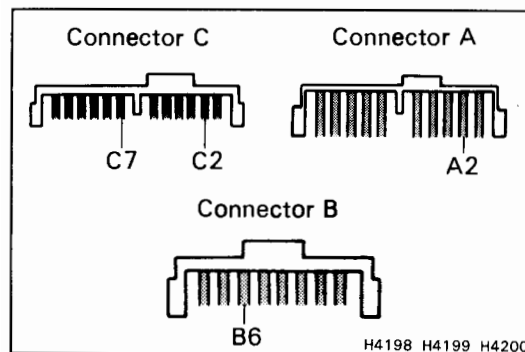
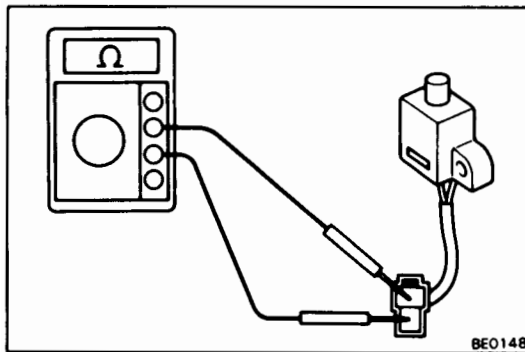
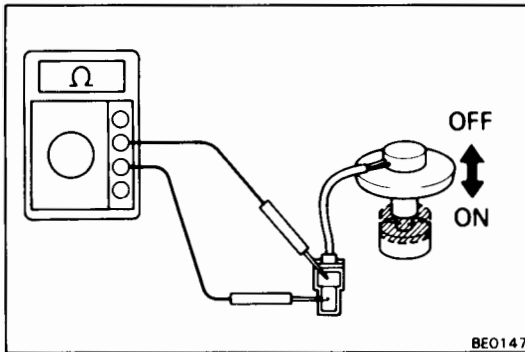
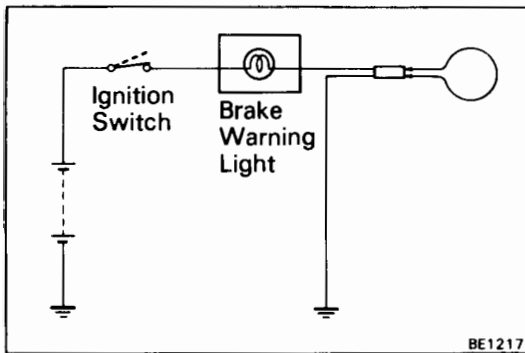


#### 3. INSPECT SENDER GAUGE OPERATION

- Disconnect the connector from the sender gauge.
- Connect a 12 V battery to the sender gauge terminal in series with a 3.4 W bulb. Check that the bulb does not light when the engine is stopped, and flashes when the engine is running. The number of flashes should vary with engine speed.

If operation is not correct, replace the sender gauge.





## Brake Warning

### INSPECTION OF BRAKE WARNING

#### 1. INSPECT WARNING LIGHT OPERATION

- (a) Disconnect the connectors from the level warning switch and parking brake switch.
- (b) Connect the terminals on the wire harness side of the level warning switch connector.
- (c) Remove CHARGE fuse and turn the ignition switch ON. Check that the warning light lights.

If the warning light does not light, test the bulb.

#### 2. INSPECT LEVEL WARNING SWITCH OPERATION

- (a) Check that there is no continuity between terminals with the switch OFF (float up).
- (b) Check that there is continuity between terminals with the switch ON (float down).

If operation is not as specified, replace the switch.

#### 3. INSPECT PARKING BRAKE SWITCH OPERATION

- (a) Check that there is continuity between the terminals with the switch pin released. (Parking brake lever pulled up)
- (b) Check that there is no continuity between the terminals with the switch pin pushed in. (Parking brake lever released)

If the operation is not as specified, replace the switch.

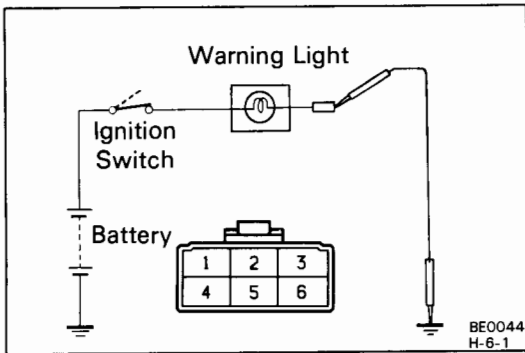
## Supercharger Indicator Circuit

### INSPECTION OF SUPERCHARGER INDICATOR

#### 1. INSPECT INDICATOR LIGHT OPERATION

- (a) Connect the positive (+) leads from the battery to terminals A2 and C7, and the negative (-) lead to terminal B6 on meter side. Check that the indicator light does not light up.
- (b) Connect the negative (-) lead to terminal C2, under the same conditions as in (a). Check that the indicator light lights up.
- (c) Connect the positive (+) lead from the battery to terminal A2 and the negative (-) leads to terminals B6 and C7 on meter side. Check that the indicator light lights up.





## Seat Belt Warning

### INSPECTION OF SEAT BELT WARNING

#### 1. INSPECT WARNING LIGHT OPERATION

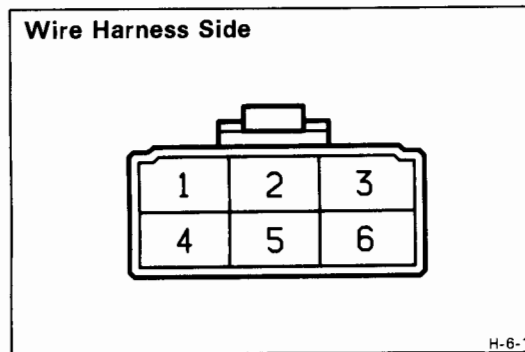
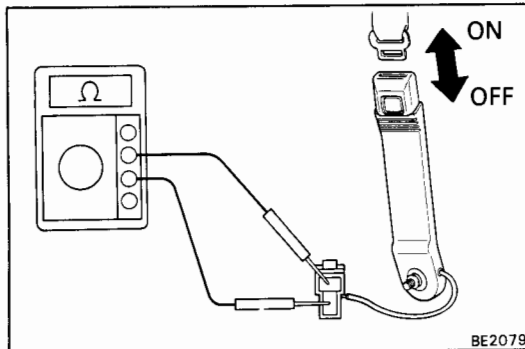
- (a) Disconnect the connectors from the seat belt warning relay and ground the terminal 5 on the wire harness side.
- (b) Turn the ignition switch ON, check that the warning light lights.

If warning light does not light, test the bulb.

#### 2. INSPECT BUCKLE SWITCH OPERATION

- (a) Disconnect the connector from the switch.
- (b) Check that there is no continuity between terminals on the switch side connector with the fasten belt.
- (c) Check that there is continuity between terminals on the switch side connector with the unfasten belt.

If operation is not as specified, replace the seat belt inner.



#### 3. INSPECT UNLOCK WARNING SWITCH OPERATION (See page BE-10)

If operation is not as specified, replace the switch.

#### 4. INSPECT SEAT BELT WARNING RELAY CIRCUIT

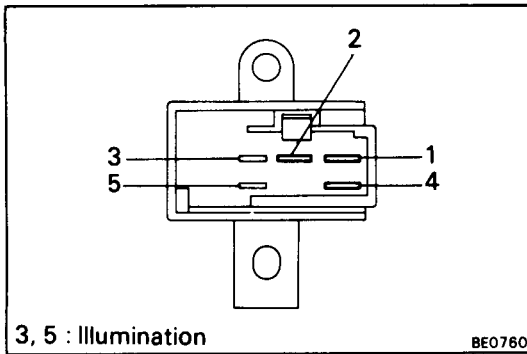
Disconnect the relay connector and inspect the connector on the wire harness side as shown in the chart.

Check for	Tester connection	Condition	Specified value
Voltage	1 – Ground	Courtesy switch OFF (Door closed)	Battery voltage
		Courtesy switch ON (Door opened)	No voltage
	2 – Ground	Turn ignition switch to Lock or ACC	No voltage
		Turn ignition switch ON	Battery voltage
	3 – Ground	Unlock warning switch OFF (Ignition key removed)	No voltage
		Unlock warning switch ON (Ignition key set)	Battery voltage
Continuity	4 – Ground	Always	Continuity
Voltage	5 – Ground	Turn ignition switch to Lock or ACC	No voltage
		Turn ignition switch ON	Battery voltage
Continuity	6 – Ground	Buckle switch OFF (Seat belt fastened)	No continuity
		Buckle switch ON (Seat belt unfastened)	Continuity

If circuit is as specified, replace the relay.

# REAR WINDOW DEFOGGER Troubleshooting

Problem	Possible cause	Remedy	Page
Rear window defogger does not work	DEFOG fuse blown	Replace fuse and check for short	BE-4
	Defogger switch faulty	Check switch	BE-31
	Defogger wire broken	Check wires	BE-31
	Wiring and ground faulty	Repair as necessary	



## Rear Window Defogger Switch

### INSPECTION OF REAR WINDOW DEFOGGER SWITCH

#### 1. INSPECT SWITCH CONTINUITY

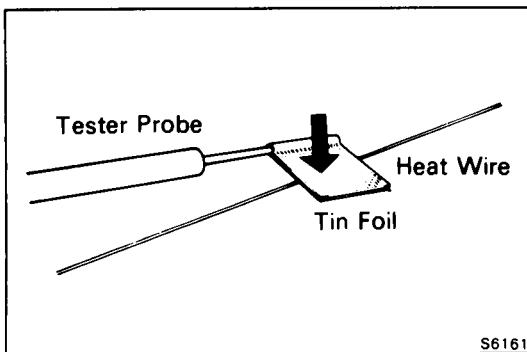
Inspect continuity between the terminals.

Terminal Switch position	1	2	4
OFF		○	○
ON	○	○	○

If continuity is not as specified, replace the switch or bulb.

#### 2. CHECK THAT IDLE INCREASES

When the defogger switch to ON, engine revolution should increase.



## Rear Window Defogger Wires

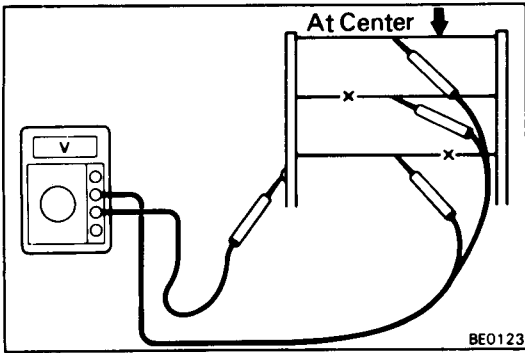
### CAUTION:

- When cleaning the glass, use a soft, dry cloth, and wipe the glass in the direction of the wire. Take care not to damage the wires.
- Do not use detergents or glass cleaners with abrasive ingredients.
- When measuring voltage, wind a piece of tin foil around the tip of the negative probe and press the foil against the wire with your finger as shown.

### INSPECTION OF REAR WINDOW DEFOGGER WIRES

#### 1. INSPECT FOR WIRE BREAKAGE

- Turn the ignition switch to ON.
- Turn the defogger switch to ON.

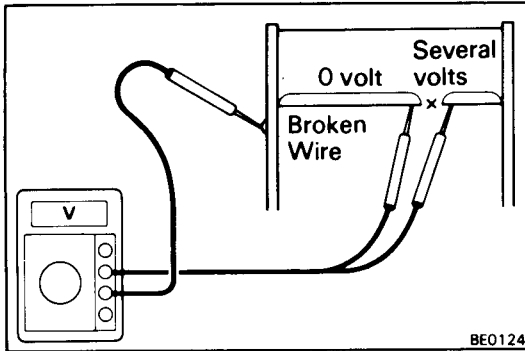


- (c) Inspect the voltage at the center of each heat wire as shown.

Voltage	Criteria
Approx. 5V	Okay (No break in wire)
Approx. 10V or 0V	Broken wire

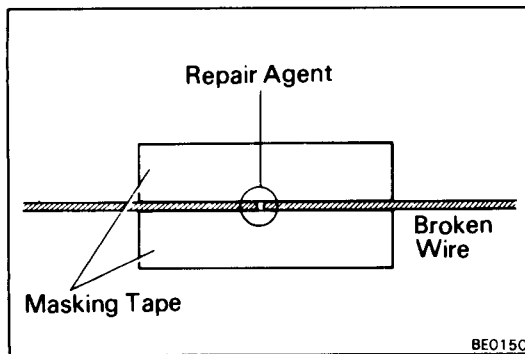
NOTE: If there are 10V, the wire is broken between the center of the wire and positive (+) end. If there is no voltage, the wire is broken between the center of the wire and ground.

**2. INSPECT FOR WIRE BREAKAGE POINT**



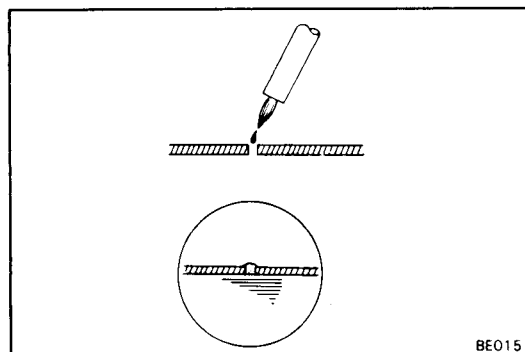
- (a) Place the voltmeter positive (+) lead against the defogger positive (+) terminal.
- (b) Place the voltmeter negative (-) lead with the foil strip against the heat wire at the positive (+) terminal end and slide it toward the negative (-) terminal end.
- (c) The point where the voltmeter deflects from zero to several volts is the place where the heat wire is broken.

NOTE: If the heat wire is not broken, the voltmeter will indicate 0V at the positive (+) end of the heat wire but gradually increase to about 12V as the meter probe is moved to the other end.



**REPAIR OF REAR WINDOW DEFOGGER WIRES**

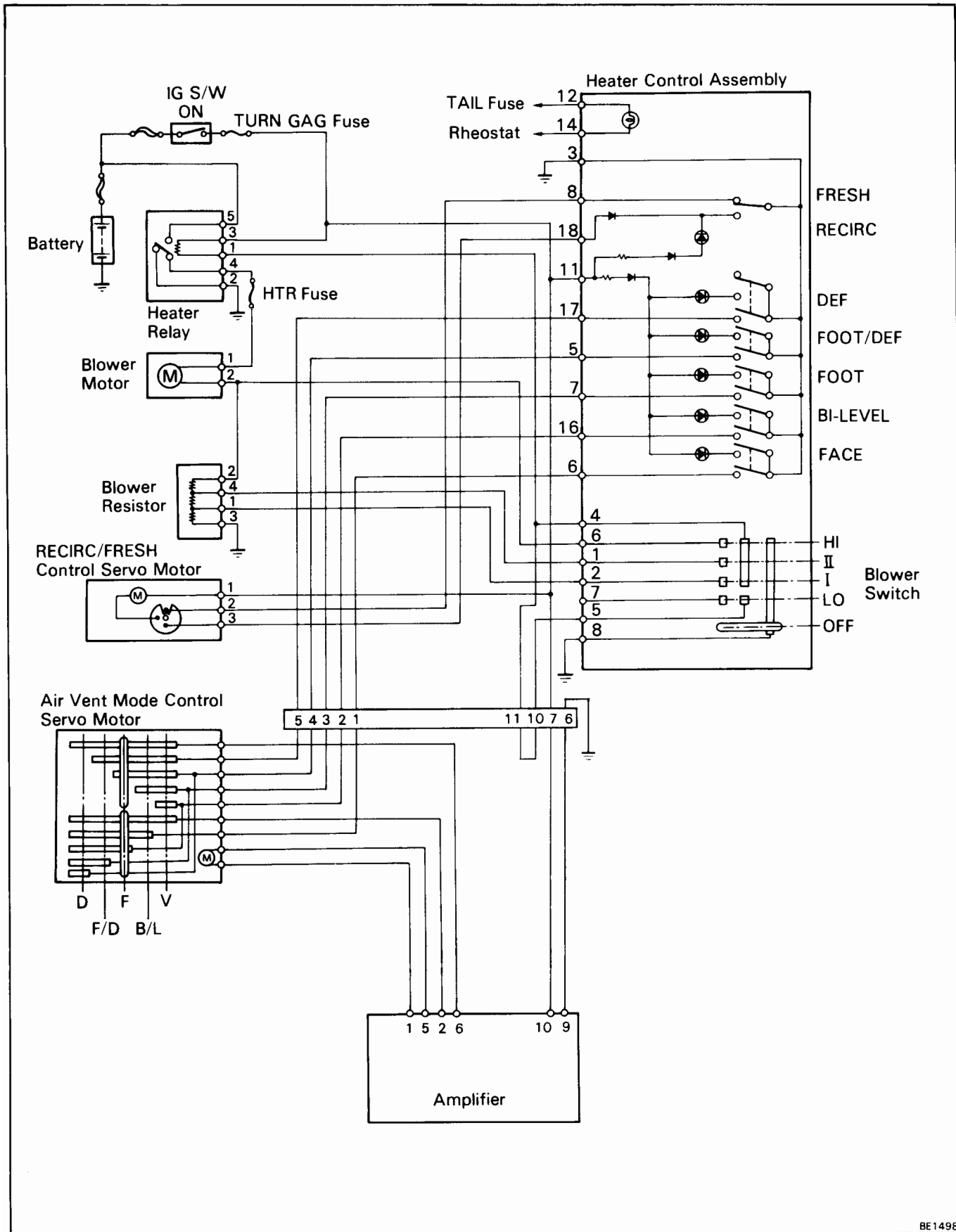
- 1. CLEAN BROKEN WIRE TIPS WITH CLEANER
- 2. PLACE MASKING TAPE ALONG BOTH SIDES OF WIRE TO BE REPAIRED



**3. REPAIR DEFOGGER WIRES**

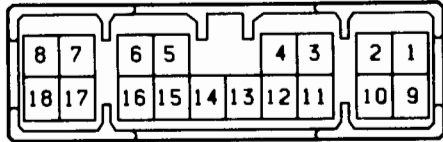
- (a) Thoroughly mix the repair agent (Dupont paste No. 4817).
- (b) Using a fine tip brush, apply a small amount to the wire.
- (c) After a few minutes, remove the masking tape.
- (d) Allow to stand at least 24 hours.

# HEATER Wiring Diagram

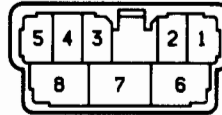


# Connectors

Heater Control Assembly



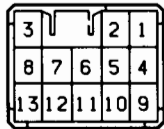
Blower Switch



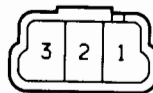
Amplifier



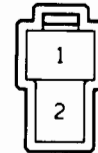
Air Vent Mode Control Servo Motor



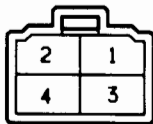
RECIRC/FRESH Control Servo Motor



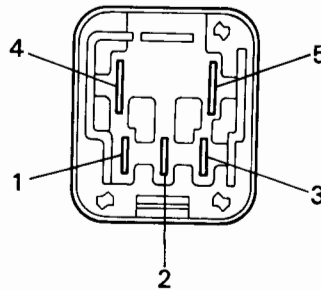
Blower Motor



Blower Resistor

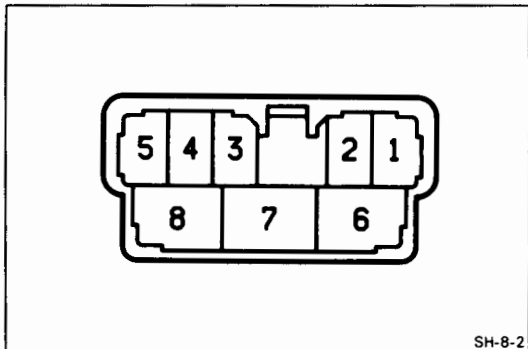


Heater Relay



## Troubleshooting

Problem	Possible cause	Remedy	Page
Blower does not work when fan switch is on	HEATER fuse blown	Replace fuse and check for short	BE-4
	Heater relay faulty	Check relay	BE-35
	Heater blower switch faulty	Check switch	BE-35
	Heater blower resistor faulty	Check resistor	BE-36
	Heater blower motor faulty	Replace motor	
	Wiring or ground faulty	Repair as necessary	
Incorrect temperature output	Control cables broken or binding	Check cables	BE-36
	Servo motor faulty	Check servo motor	BE-37
	Heater hoses leaking or clogged	Replace hose	
	Water valve faulty	Replace valve	
	Air dampers broken	Repair dampers	
	Air ducts clogged	Repair ducts	
	Heater radiator leaking or clogged	Replace radiator	
	Heater control unit faulty	Repair control unit	



### Heater Blower Switch

#### INSPECTION OF HEATER BLOWER SWITCH

##### INSPECT SWITCH CONTINUITY

Terminal / Switch position	1	2	4	5	6	7	8
OFF							
LO				○	—	—	○
II		○	○	—	—	—	○
III	○	—	○	—	—	—	○
HI			○	—	○	—	○

If continuity is not as specified, replace the switch.

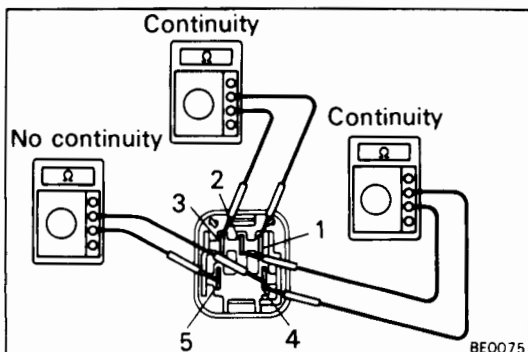
### Heater Relay

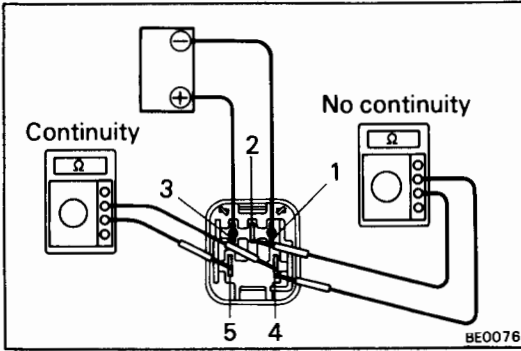
#### INSPECTION OF HEATER RELAY

##### 1. INSPECT RELAY CONTINUITY

- (a) Check that there is continuity between terminals 1 and 3.
- (b) Check that there is continuity between terminals 2 and 4.
- (c) Check that there is no continuity between terminals 4 and 5.

If continuity is not as specified, replace the relay.

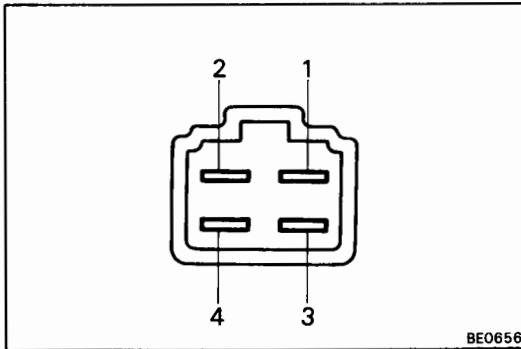




## 2. INSPECT RELAY OPERATION

- Apply battery voltage across terminals 1 and 3.
- Check that there is continuity between terminals 4 and 5.
- Check that there is no continuity between terminals 2 and 4.

If operation is not as specified, replace the relay.



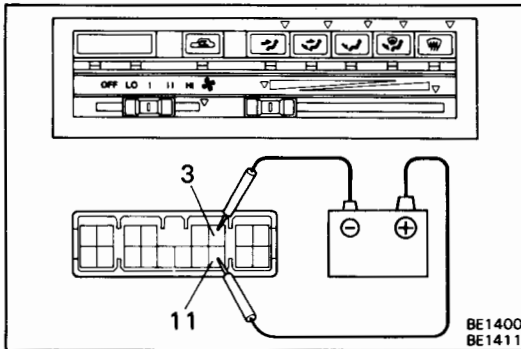
## Heater Blower Resistor

### INSPECTION OF HEATER BLOWER RESISTOR

#### INSPECT RESISTOR CONTINUITY

Check that there is continuity between terminals 2 and 3.

If continuity is not as specified, replace the resistor.



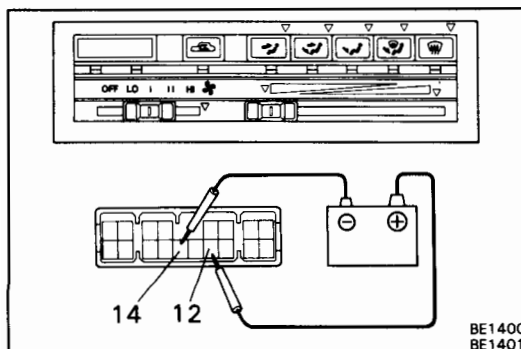
## Heater Control Assembly

### INSPECTION OF HEATER CONTROL ASSEMBLY

#### 1. INSPECT INDICATOR LIGHT OPERATION

- Connect the positive (+) battery lead to terminal 11 and the negative (-) battery lead to terminal 3.
- With the RECIRC/FRESH control button pushed in, check that the (RECIRC) indicator light is lit.
- Next, press the RECIRC/FRESH control button in again (FRESH) and check that the indicator light goes off.
- Press each of the mode buttons in and check that their indicator lights go on.

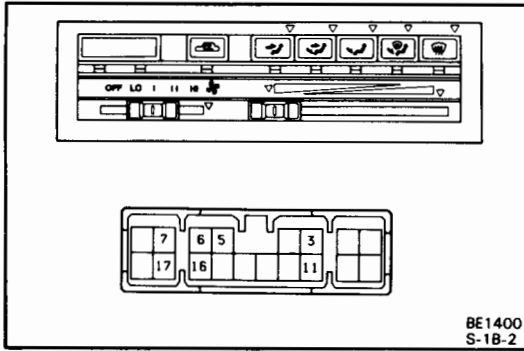
If operation is not as specified, replace the heater control.



#### 2. INSPECT ILLUMINATION OPERATION

Check that the illumination lights come on when the positive (+) battery lead is connected to terminal 12 and the negative (-) battery lead is connected to terminal 14.

If operation is not as specified, inspect the bulbs.

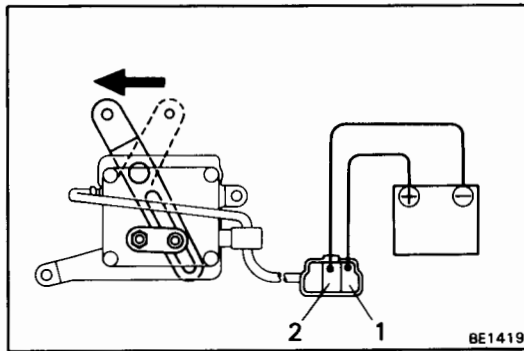


**3. INSPECT AIR VENT MODE SWITCH CONTINUITY**

Inspect the mode switch continuity between terminals.

Terminal Switch position	7	6	11	17	16	5	3
FACE		○ ○	○		▶		○
BI-LEVEL			○	▶	○		○
FOOT	○ ○	◀	○		▶		○
FOOT/DEF			○	▶		○	○
DEF			○	▶	○		○

If continuity is not as specified, replace the switch.

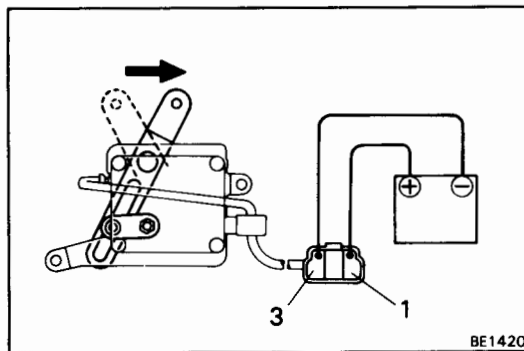


**RECIRC/FRESH Control Servo Motor**

**INSPECTION OF RECIRC/FRESH CONTROL SERVO MOTOR**

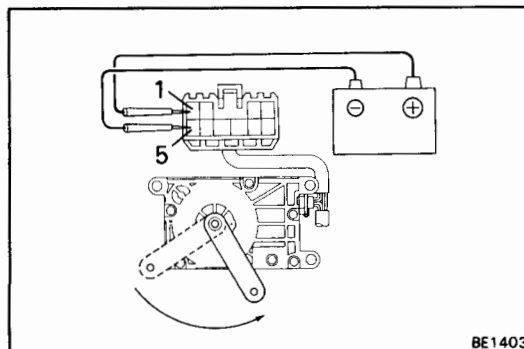
**INSPECT SERVO MOTOR OPERATION**

- (a) With the positive (+) lead from the battery to terminal 1 and negative (-) lead to terminal 2, and check that the lever moves smoothly from RECIRC to FRESH.



- (b) With the positive (+) lead from the battery to terminal 1 and negative (-) lead to terminal 3, and check that the lever moves smoothly from FRESH to RECIRC.

If operation is not as specified, replace the motor.



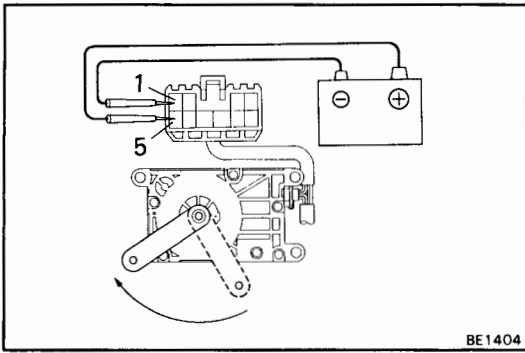
**Air Vent Mode Control Servo Motor**

**INSPECTION OF AIR VENT MODE CONTROL SERVO MOTOR**

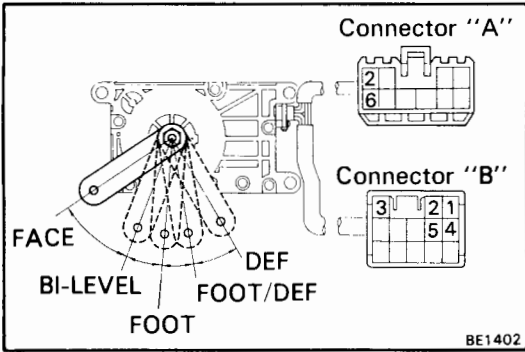
**INSPECT SERVO MOTOR OPERATION**

- (a) Connect the positive (+) lead from the battery to terminal A1 and the negative (-) lead to terminal A5.
- (b) Check that the arm turns.





- (c) Connect the positive (+) lead from the battery to terminal A5 and the negative (-) lead to terminal A1.
- (d) Check that the arm turns the opposite way.



- (e) Check for continuity between terminals as shown below.

Terminal Switch position	A2	A6	B1	B2	B3	B4	B5
FACE		○	○	○	○	○	○
FACE ~BI-LEVEL	○	○	○	○	○	○	○
BI-LEVEL	○	○			○	○	○
BI-LEVEL ~FOOT	○	○	○		○	○	○
FOOT	○	○	○	○			○
FOOT ~FOOT/DEF	○	○	○	○		○	○
FOOT/DEF	○	○	○	○			○
FOOT/DEF ~DEF	○	○	○	○	○	○	○
DEF	○	○	○	○	○	○	

If operation is not as specified, replace the SERVO Motor.

## Heater Control

### ADJUSTMENT OF HEATER CONTROL

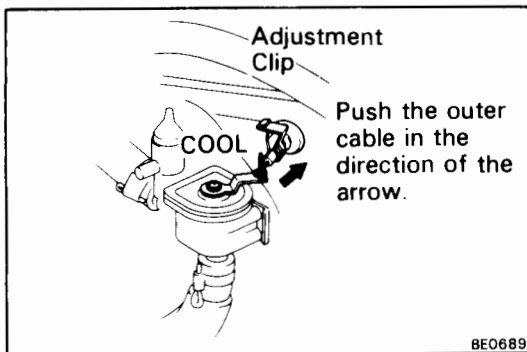
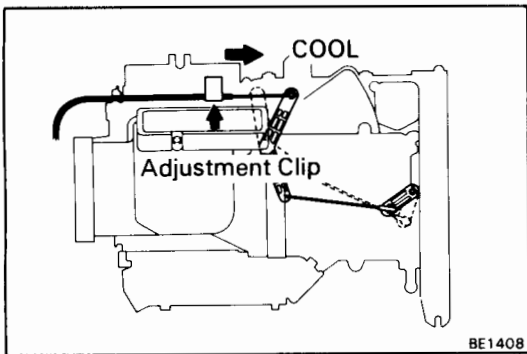
#### 1. ADJUST AIR MIX DAMPER

Set the air mix damper and control lever to "COOL."

#### 2. ADJUST WATER VALVE

Set the water valve and control lever to "COOL."

NOTE: Place the water valve lever on "COOL" and while pushing the outer cable in the "COOL" direction, clamp the outer cable to the water valve bracket.



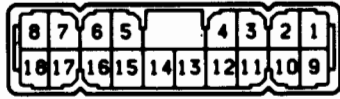


# Connectors

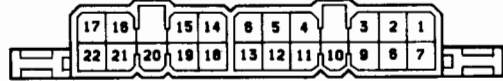
Neutral Start Switch



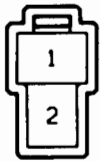
Cruise Control Computer



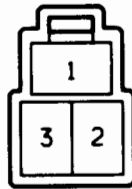
Control S/W



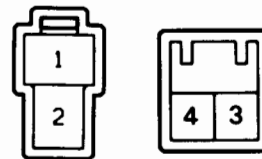
Parking Brake S/W



Clutch S/W



Stop Light S/W



Vacuum S/W

(4A-GE: M/T)

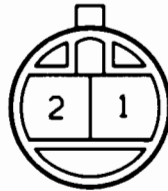


(Others)



Vacuum Pump

(4A-GE: M/T)



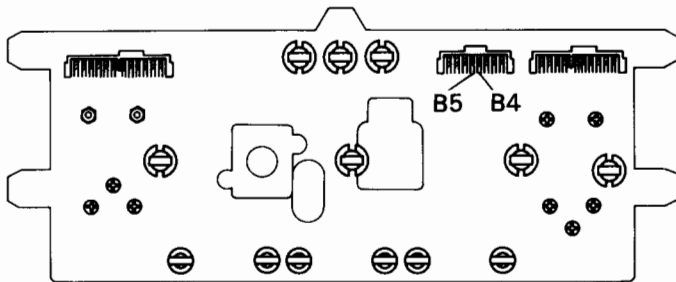
(Others)



Actuator

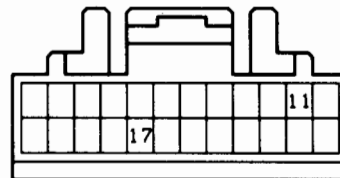


Speed Sensor



ECT Computer

Wire Harness Side



Alternator Wire Harness Side



Brake Fluid Level Warning Switch

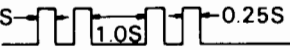
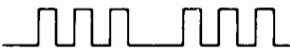






# Diagnosis System

## OUTPUT OF DIAGNOSTIC CODES

### 1. READ TYPE A CODE

- (a) Turn the ignition switch on.
- (b) Turn the set/coast switch on, and keep it on.
- (c) Turn the main switch on.
- (d) Turn the set/coast switch off.
- (e) Meet the conditions listed below.
- (f) Read the diagnostic code on the main switch indicator.

No.	Conditions	Indication code	Diagnosis
1	Set/coast switch on	ON OFF 	Set/coast switch circuit is normal.
2	Resume/accel switch on	ON OFF 	Resume/accel switch circuit is normal.
3	Vacuum switch on	ON OFF 	Vacuum switch circuit is normal.
4	Each cancel switch on (Stop light switch, Parking brake switch, Clutch switch, Neutral start switch)	ON OFF 	Each cancel switch circuit is normal.
5	Drive 40 km/h (25 mph) or over	ON OFF 	Speed sensor circuit is normal.
6	Drive 30 km/h (19 mph) or below	ON OFF 	Speed sensor circuit is normal.

**NOTE:**

- Checking of No. 4 code is done with the rear jacked up and engine idling.
- If there is no indication code, perform diagnosis and inspection. (See page BE-44)

## 2. READ TYPE B CODE

- (a) If while driving with the cruise control on, the system is cancelled by a malfunction in either the actuator, speed sensor, or control switch circuit, the main switch indicator will blink 5 times.
- (b) While driving at a speed of 16 km/h (10 mph) or less, press the SET/COAST switch three times in two seconds.

NOTE: In order to save the diagnostic code a malfunction has occurred, always inspect with the ignition and main switches on.

Should the power be cut, the diagnostic code will be erased from the computer memory.

- (c) Rear the diagnostic code on the main switch indicator.

Indication code		Diagnosis
		Normal
11		Actuator circuit is abnormal.
21		Speed sensor signal circuit is abnormal.
23		Speed sensor signal circuit is abnormal. Actuator circuit is abnormal.
31		Resume/accel switch circuit is abnormal.
33		Resume/accel switch and set/coast switch circuit is abnormal.

### NOTE:

- Indication codes appear in order from No. 11.
- Indication is stopped when vehicle speed is over 16 km/h (10 mph) or main switch is turned off.
- If there is no indication code, perform diagnosis and inspection. (See page BE-44)

## Troubleshooting

Problem	Inspection item		No.
Cruise control does not operate.	(a) Inspect type A codes.	No. 1 NO No. 2 NO No. 3 NO No. 4 NO No. 5 NO No. 6 NO	B C J F to I E E
	(b) Inspect type B codes.	11 21 23 31 33	D E D, E C B, C
	(c) All codes are normal.		A, D, E
Vehicle speed does not decrease when coast switch turned on.	Inspect No. 1 of type A code.	OK	D
Vehicle speed does not fluctuate when set switch turned on.		NO	B
Vehicle speed does not accelerate when accel switch turned on.	Inspect No. 2 of type A code.	OK	D
Vehicle speed does not return to memorized speed when resume switch turned on.		NO	C
Setting speed deviates on high side.	—	—	D, E
Setting speed deviates on low side.			
Return and acceleration response is sluggish.	Inspect No. 3 of type A code.	OK NO	D J
Setting speed does not cancel when brake pedal depressed.	Inspect No. 4 of type A code.	OK NO	D F
Setting speed does not cancel when parking brake pulled up.	Inspect No. 4 of type A code.	OK NO	D G
Setting speed does not cancel when clutch pedal depressed (M/T only).	Inspect No. 4 of type A code.	OK NO	D H
Setting speed does not cancel when shifted to "N" range (A/T only).	Inspect No. 4 of type A code.	OK NO	D I
Speed can be set below about 40 km/h (25 mph).	Inspect No. 5 of type A code. Inspect No. 6 of type A code.	OK	D
Cruise control will not disengage even about 40 km/h (25 mph).		NO	E
A short period after the O/D cut, (Approx. within 14 seconds) the O/D will resume.	—	—	K

**A INSPECTION OF POWER SOURCE CIRCUIT**

Turn ignition switch on.

Is TURN GAUGE fuse normal?

No

Replace fuse.  
Is operation normal?

No

- Short circuit in wire harness between TURN GAUGE fuse and terminal 16 of control switch.
- Inspect control switch. (See page BE-59)

Yes

Fuse faulty.

Yes

**CONTROL SWITCH**

**INSPECT GROUND CONNECTION**  
Is there continuity between terminal 20 and body ground?

No

- Open circuit in wire harness between terminal 20 of control switch and body ground.
- Body ground faulty.

Yes

**INSPECT POWER SOURCE**  
Is there battery voltage between terminal 16 and body ground?

No

Open circuit in wire harness between TURN GAUGE fuse and terminal 16 of control switch.

Yes

**INSPECT SWITCH OPERATION**  
Is there battery voltage between terminal 21 and body ground with main switch turned on?

No

Inspect control switch. (See page BE-59)

Yes

Is there battery voltage between terminal 21 and body ground with main switch turned off?

Yes

Inspect control switch. (See page BE-59)

No

**INSPECT INDICATOR LIGHT OPERATION**  
Connect terminal 18 to body ground. Does indicator light light with main switch turned on?

No

Inspect control switch. (See page BE-59)

Yes

Does indicator light light with main switch turned off?

Yes

Inspect control switch. (See page BE-59)

No

CONTINUED ON PAGE BE-45

CONTINUED FROM PAGE BE-44

COMPUTER

Disconnect connector from computer and inspect connector on wire harness side as follows.

**INSPECT GROUND CONNECTION**  
Is there continuity between terminal 13 and body ground?

No

- Open circuit in wire harness between terminal 13 and body ground.
- Body ground faulty.

Yes

**INSPECT POWER SOURCE**  
Is there battery voltage between terminal 10 and body ground with main switch turned on?

No

Open circuit in wire harness between terminal 10 of computer and terminal 21 of control switch.

Yes

**INSPECT INDICATOR LIGHT CIRCUIT**  
Connect terminal 3 to body ground. Does indicator light light with main switch turned on?

No

Open circuit in wire harness between terminal 3 of computer and terminal 18 of control switch.

Yes

Disconnect connector from control switch. Is there continuity between terminal 3 and body ground?

Yes

Short circuit in wire harness between terminal 3 of computer and terminal 18 of control switch.

No

Replace computer.



**B INSPECTION OF SET/COAST SWITCH CIRCUIT**

Turn ignition switch off.

CONTROL S/W

**INSPECT GROUND CONNECTION**  
Disconnect connector from control switch.  
Is there continuity between terminal 20 of wire harness side connector and body ground?

No

- Open circuit in wire harness between terminal 20 and body ground.
- Body ground faulty.

Yes

**INSPECT SET/COAST SWITCH OPERATION**  
Is set/coast switch operation normal?  
(See page BE-59)

No

Replace control switch.

Yes

Connect connector to control switch.

COMPUTER

Disconnect connector from computer and inspect connector on wire harness side as follows.

**INSPECT SET/COAST SWITCH CIRCUIT**  
Is there continuity between terminal 5 and body ground with set/coast switch turned on?

No

Open or short circuit in wire harness between terminal 5 of computer and terminal 14 of control switch.

Yes

Replace computer.

**C INSPECTION OF RESUME/ACCEL SWITCH CIRCUIT**

Turn ignition switch off.

CONTROL S/W

**INSPECT GROUND CONNECTION**  
Disconnect connector from control switch.  
Is there continuity between terminal 20 of wire harness side connector and body ground?

No

- Open circuit in wire harness between terminal 20 and body ground.
- Body ground faulty.

Yes

**INSPECT RESUME/ACCEL SWITCH OPERATION**  
Is resume/accel switch operation normal?  
(See page BE-59)

No

Replace control switch.

Yes

Connect connector to control switch.

COMPUTER

Disconnect connector from computer and inspect connector on wire harness side as follows.

**INSPECT RESUME/ACCEL SWITCH CIRCUIT**  
Is there continuity between terminal 17 and body ground with resume/accel switch turned on?

No

Open or short circuit in wire harness between terminal 17 of computer and terminal 15 of control switch.

Yes

Replace computer.

**D INSPECTION OF ACTUATOR CIRCUIT**

Turn ignition switch off.

VACUUM HOSE

Are there cracks or other damage on the vacuum hose?

Yes

Replace vacuum hose.

No

ACTUATOR**INSPECT CABLE FREEPLAY**

Is control cable freeplay less than 10 mm (0.39 in.)?

No

Adjust control cable freeplay.

Yes

**INSPECT ACTUATOR OPERATION**Disconnect connector from actuator.  
Is actuator operation normal?  
(See page BE-61)

No

Replace actuator.

Yes

STOP LIGHT S/W**INSPECT STOP LIGHT SWITCH CIRCUIT**Disconnect connector from stop light switch.  
Is there continuity between terminal 4 of wire harness side connector and body ground?

Yes

Short circuit in wire harness between terminal 1 of actuator and terminal 4 of stop light switch.

No

Connect the connector to actuator.  
Is there continuity between terminal 4 of wire harness side connector and body ground?

No

Open circuit in wire harness between terminal 1 of actuator and terminal 4 of stop light switch

Yes

**INSPECT STOP LIGHT SWITCH OPERATION**Is stop light switch operation normal?  
(See page BE-59)

No

Replace stop light switch.

Yes

Connect connector to stop light switch.

CONTINUED ON PAGE BE-49

CONTINUED FROM PAGE BE-48

COMPUTER

Disconnect connector from computer and inspect connector on wire harness side as follows.

**INSPECT STOP LIGHT SWITCH CIRCUIT**  
Is there continuity between terminals 2 and 14 with stop light switch released?

No → Open circuit in wire harness between terminals 2 and 14 of computer.

Yes

Is there continuity between terminals 2 and 14 with stop light switch depressed?

Yes → Short circuit in wire harness between terminals 2 and 14 of computer.

No

Is there continuity between terminals 4 and 14?

No → Open circuit in wire harness between terminals 4 and 14 of computer.

Yes

Replace computer.

## E INSPECTION OF SPEED SENSOR CIRCUIT

### SPEEDOMETER CABLE

#### INSPECT SPEEDOMETER CABLE

Does the meter fluctuate when driving at a steady speed?

Yes

Meter cable faulty.

No

Turn ignition switch off.

### SPEED SENSOR

#### INSPECT GROUND CONNECTION

Disconnect connector from meter (speed sensor).  
Is there continuity between terminal B5 of wire harness side connector and body ground?

No

Open circuit in wire harness between terminal B5 and body ground.

Yes

#### INSPECT SPEED SENSOR OPERATION

Is speed sensor operation normal?  
(See page BE-60)

No

Speed sensor faulty.

Yes

### COMPUTER

#### INSPECT SPEED SENSOR CIRCUIT

Disconnect connector from computer.  
Is there continuity between terminal B4 of wire harness side connector and terminal 7 of computer?

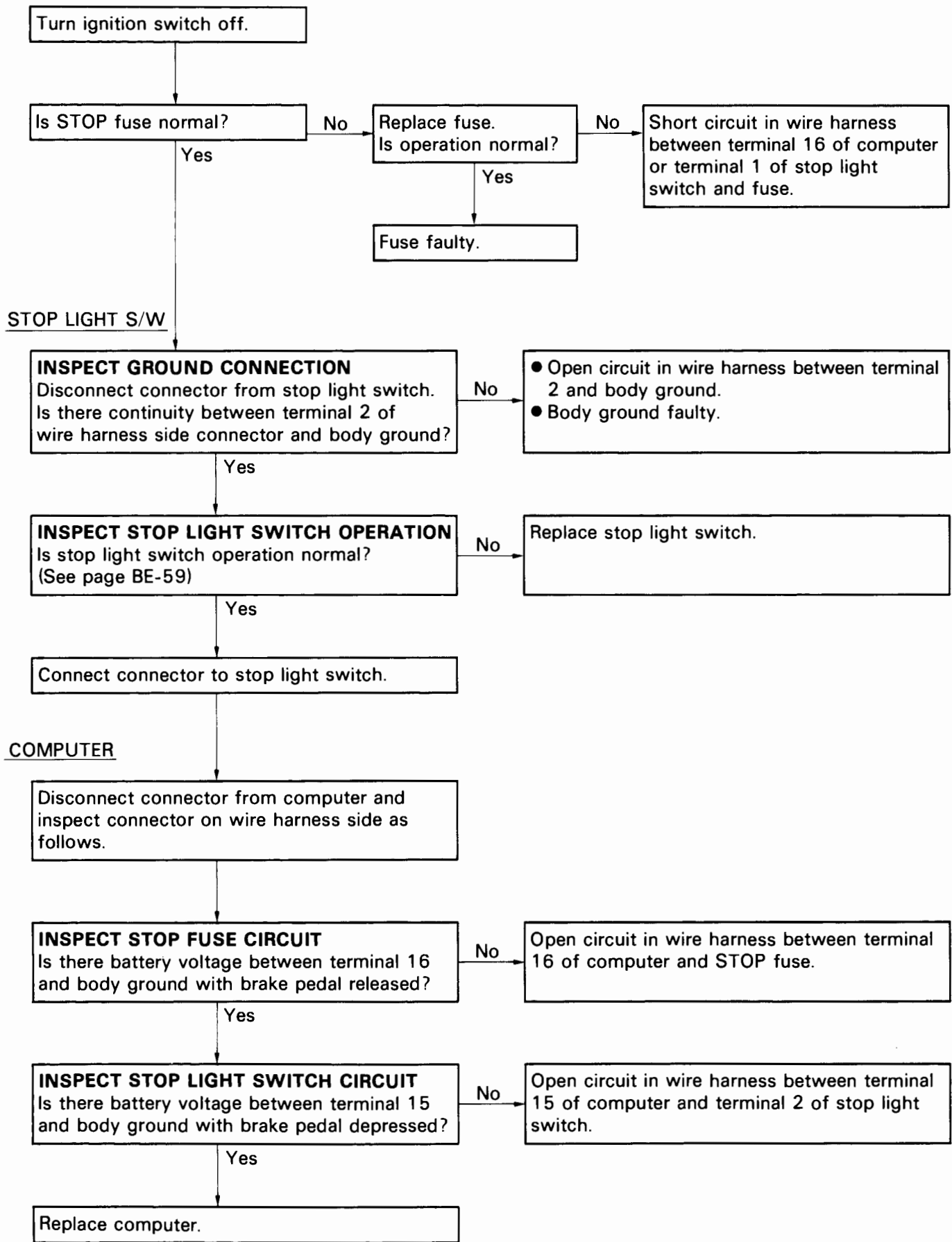
No

Open circuit in wire harness between terminal B4 of speed sensor and terminal 7 of computer.

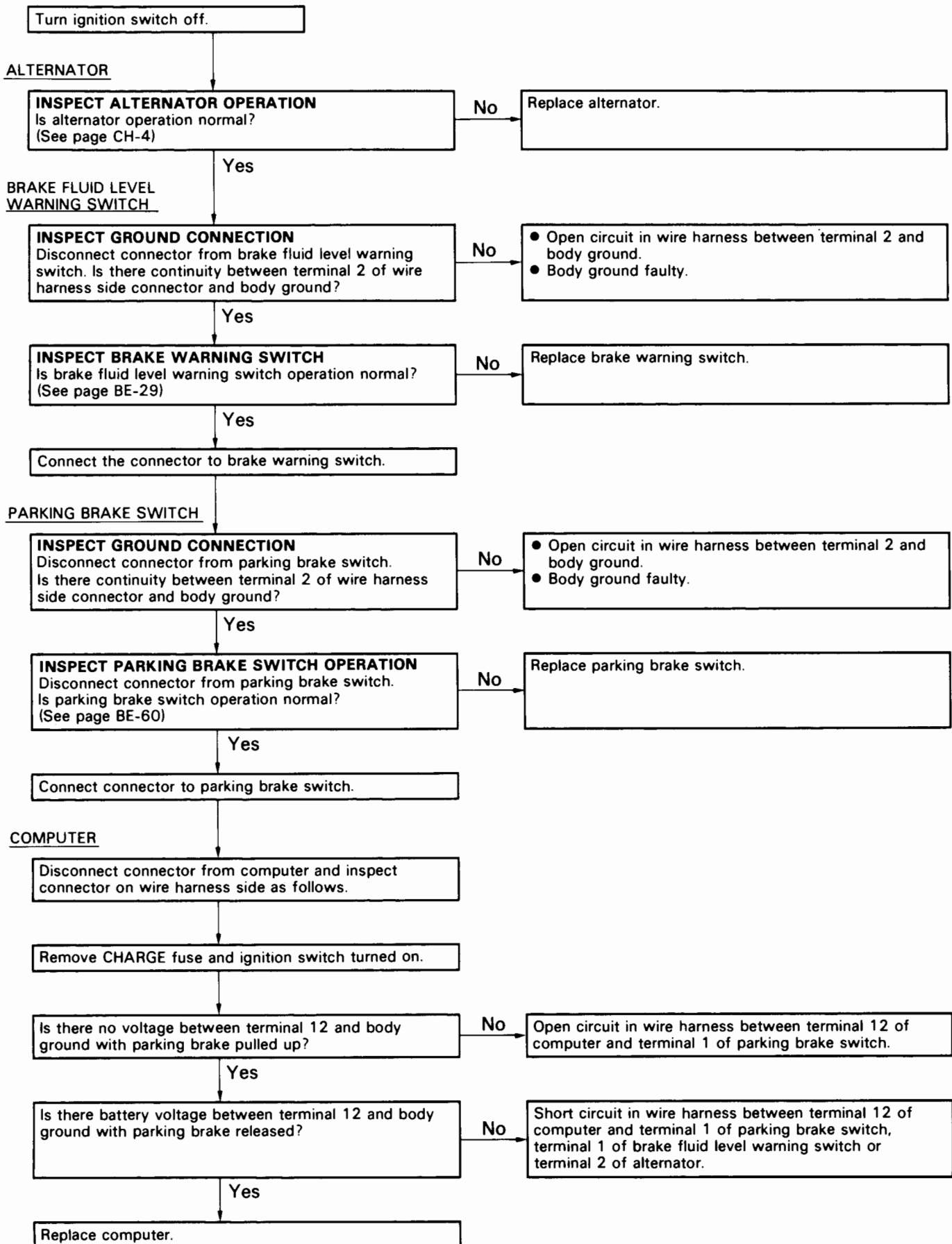
Yes

Replace computer.

**F INSPECTION OF STOP LIGHT SWITCH CIRCUIT**



## G INSPECTION OF PARKING BRAKE SWITCH CIRCUIT



**H INSPECTION OF CLUTCH SWITCH CIRCUIT**

Turn ignition switch off.

CLUTCH S/W

**INSPECT GROUND CONNECTION**  
Disconnect connector from clutch switch.  
Is there continuity between terminal 2 of wire harness side connector and body ground?

No

- Open circuit in wire harness between terminal 2 and body ground.
- Body ground faulty.

Yes

**INSPECT CLUTCH SWITCH OPERATION**  
Is clutch switch operation normal?  
(See page BE-60)

No

Replace clutch switch.

Yes

Connect connector to clutch switch.

COMPUTER

Disconnect connector from computer and inspect connector on wire harness side as follows.

**INSPECT CLUTCH SWITCH CIRCUIT**  
Is there continuity between terminal 11 and body ground with clutch pedal depressed?

No

Open circuit in wire harness between terminal 11 of computer and terminal 3 of clutch switch.

Yes

Is there continuity between terminal 11 and body ground with clutch pedal released?

Yes

Short circuit in wire harness between terminal 11 of computer and terminal 3 of clutch switch.

No

Replace computer.



**I INSPECTION OF NEUTRAL START SWITCH CIRCUIT**

Turn ignition switch off.

NEUTRAL START S/W

**INSPECT GROUND CONNECTION**  
 Disconnect connector from neutral start switch.  
 Is there continuity between terminal 2 of wire harness side connector and body ground?

No

Open circuit in wire harness between terminal 2 and body ground.

Yes

**INSPECT NEUTRAL START SWITCH OPERATION**  
 Is neutral start switch operation normal?  
 (See page BE-60)

No

Replace neutral switch.

Yes

Connect connector to neutral start switch.

COMPUTER

Disconnect connector from computer and inspect connector on wire harness side as follows.

**INSPECT NEUTRAL START SWITCH CIRCUIT**  
 Is there continuity between terminal 11 and body ground when shifted to "N" and "P" range?

No

Open circuit in wire harness between terminal 11 of computer and terminal 3 of neutral start switch.

Yes

Replace computer.

**J INSPECTION OF VACUUM CIRCUIT**

Turn ignition switch off.

VACUUM HOSE

Are there cracks or other damage on the vacuum hose?

Yes

Replace vacuum hose.

No

VACUUM S/W

**INSPECT VACUUM SWITCH CIRCUIT**  
Disconnect connector from vacuum switch. Is there continuity terminal 1 of vacuum switch and body ground?

No

- Vacuum switch improper installed.
- Body ground faulty.

Yes

**INSPECT VACUUM SWITCH OPERATION**  
Is vacuum switch normal?  
(See page BE-62)

No

Replace vacuum switch.

Yes

VACUUM PUMP

**INSPECT GROUND CONNECTION**  
Disconnect connector from vacuum pump. Is there continuity between terminal 2 of wire harness side connector and body ground?

No

- Open circuit in wire harness between terminal 2 and body ground.
- Body ground faulty.

Yes

**INSPECT VACUUM PUMP OPERATION**  
Is vacuum pump operation normal?  
(See page BE-62)

No

Replace vacuum pump.

Yes

Connect connector to vacuum switch and pump.

CONTINUED ON PAGE BE-56

CONTINUED FROM PAGE BE-55

COMPUTER

Disconnect connector from computer and inspect connector on wire harness side as follows.

**INSPECT VACUUM SWITCH CIRCUIT**  
Is there continuity between terminal 9 and body ground?

No

Open circuit in wire harness between terminal 9 of computer and terminal 1 of vacuum switch.

Yes

Start engine (idling).

Is there continuity between terminals 9 and body ground?

Yes

Short circuit in wire harness between terminal 9 of computer and terminal 1 of vacuum switch.

No

Stop the engine.

**INSPECT VACUUM PUMP CIRCUIT**  
Is there continuity between terminal 1 and body ground?

No

Open circuit in wire harness between terminal 1 of computer and terminal 1 of vacuum switch.

Yes

Is there continuity between terminal 1 and body ground disconnect connector from vacuum pump?

Yes

Short circuit in wire harness between terminal 1 of computer and terminal 1 of vacuum pump.

No

Replace computer.

**K INSPECTION OF ECT SOLENOID CIRCUIT**

Turn ignition switch off.

COMPUTER

Disconnect connector from computer and inspect connector on wire harness side as follows.

**INSPECT ECT SOLENOID CIRCUIT**  
Is there continuity between terminal 8 of wire harness side connector and terminal 11 of ECT computer?

No

Open circuit in wire harness between terminal 8 of computer and terminal 11 of ECT computer.

Yes

Is resistance value about 11 – 15 ohm between terminal 8 of wire harness side connector and body ground?

No

Open or short circuit in wire harness between terminal 8 of computer and terminal 11 of ECT computer or ECT solenoid (No. 2).

Yes

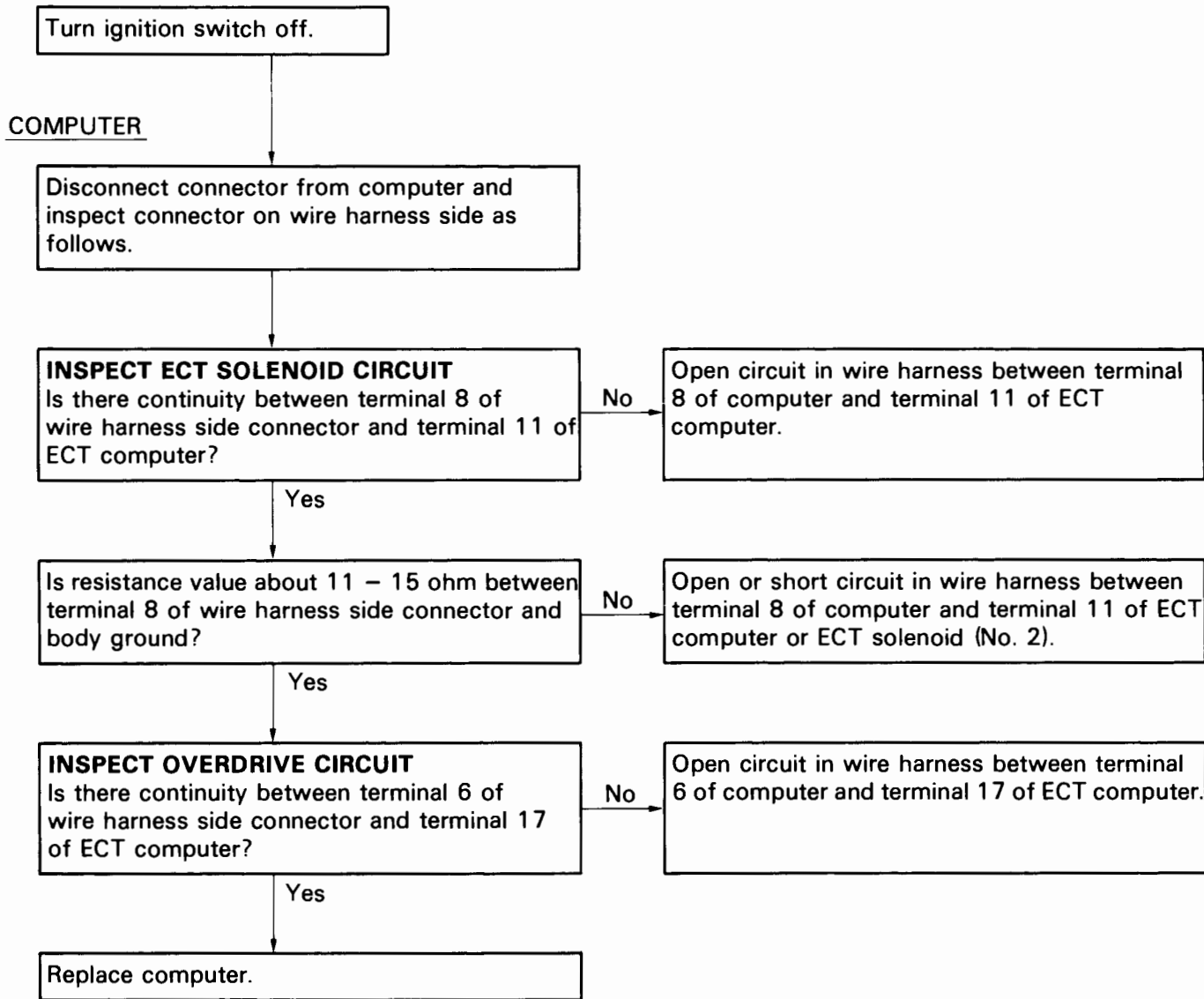
**INSPECT OVERDRIVE CIRCUIT**  
Is there continuity between terminal 6 of wire harness side connector and terminal 17 of ECT computer?

No

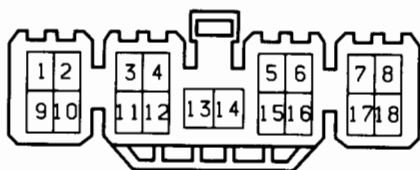
Open circuit in wire harness between terminal 6 of computer and terminal 17 of ECT computer.

Yes

Replace computer.



## Wire Harness Side



S-18-1

## Cruise Control Computer Circuit

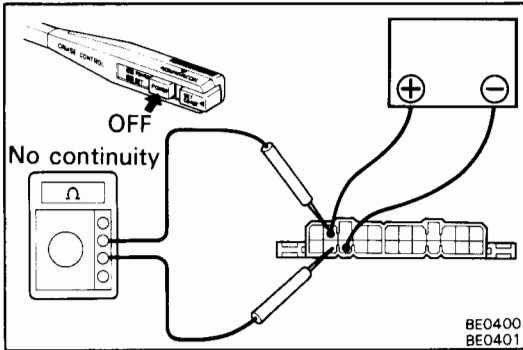
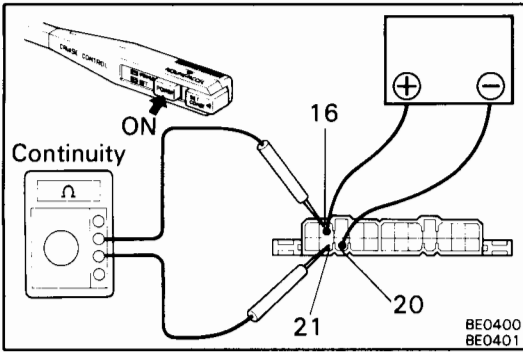
### INSPECTION OF COMPUTER CIRCUIT

Disconnect the computer connector and inspect the connector on wire harness side as shown in the below.

Connection or measure item	Check for	Tester connection	Condition	Specified value
Stop Fuse	Voltage	16 – Body ground	—	Battery voltage
Stop Light Switch	Voltage	15 – Body ground	Brake pedal depressed	Battery voltage
			Brake pedal released	No voltage
Stop Light Switch and Release Valve	Resistance	2 – 14	Brake pedal released	Approx. 68 $\Omega$
Control Valve	Resistance	4 – 14	—	Approx. 30 $\Omega$
Control Switch	Voltage	10 – Body ground	Turn ignition switch and main switch on	Battery voltage
			Turn ignition switch and main switch off	No voltage
Control Switch (indicator circuit)	Voltage	3 – Body ground	Turn ignition switch and main switch on	Battery voltage
			Turn ignition switch and main switch off	No voltage
Control Switch (set/coast)	Continuity	5 – Body ground	Turn set/coast switch on	Continuity
			Turn set/coast switch off	No continuity
Control Switch (resume/accel)	Continuity	17 – Body ground	Turn resume/accel switch on	Continuity
			Turn resume/accel switch off	No continuity
Speed Sensor	Continuity	7 – Body ground	Vehicle moving slowly	1 pulse each 40 cm (15.75 in.)
Clutch Switch (M/T) or Neutral Start Switch (A/T)	Continuity	11 – Body ground	Clutch pedal depressed or shifted into "N" range	Continuity
			Clutch pedal released or shifted into only range except "N" and "P" range	No continuity
Parking Brake Switch	Voltage	12 – Body ground	Remove CHARGE fuse and ignition switch turned on with parking brake lever pulled up	No voltage
			Remove CHARGE fuse and ignition switch turned on with parking brake lever released	Battery voltage
Vacuum Switch	Continuity	9 – Body ground	Apply vacuum approx. 170 mmHg (6.69 in.Hg, 22.7 kPa)	No continuity
			No vacuum	Continuity
Vacuum Pump	Continuity	1 – Body ground	—	Continuity
Body Ground	Continuity	13 – Body ground	—	Continuity

## Control Switch

### INSPECTION OF CONTROL SWITCH



#### 1. INSPECT SWITCH CONTINUITY

- (a) Connect the positive (+) lead from the battery to terminal 16 and the negative (-) lead to terminal 20.
- (b) Check that there is continuity between terminals 16 and 21 with the main switch turned on.
- (c) Check that there is no continuity between terminals 16 and 21 with the main switch turned off.

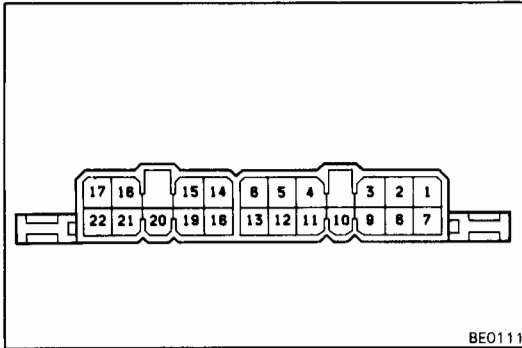
If continuity is not as specified, replace the switch.

#### 2. INSPECT SWITCH CONTINUITY

Inspect the switch continuity between terminals.

Terminal	14	15	20
Switch position			
RESUME/ACCEL		○	○
OFF			
SET/COAST	○		○

If continuity is not as specified, replace the switch.



## Stop Light Switch

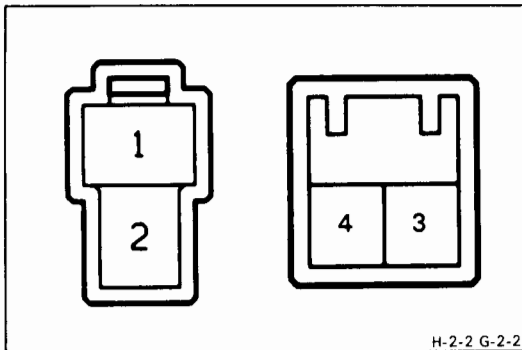
### INSPECTION OF SWITCH

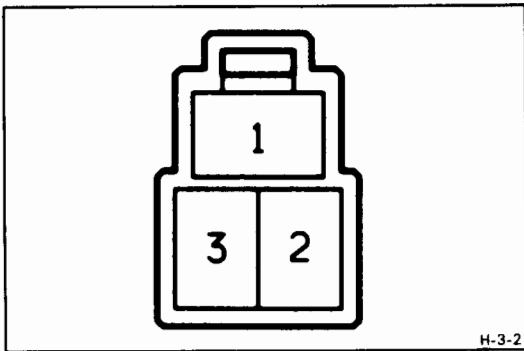
#### INSPECT SWITCH CONTINUITY

Inspect the switch continuity between terminals.

Terminal	1	2	3	4
Switch position				
Switch free	○	○		
Switch pin pushed			○	○

If continuity is not as specified, replace the switch.





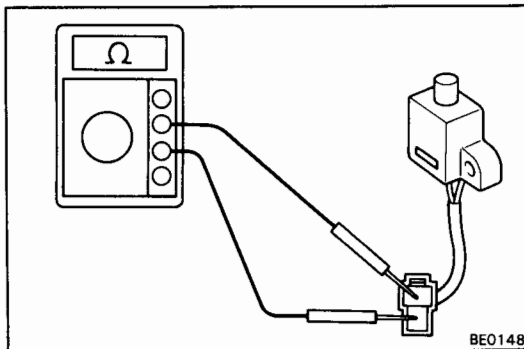
## Clutch Switch

### INSPECTION OF SWITCH

#### INSPECT SWITCH CONTINUITY

- Check that there is continuity between terminals 2 and 3 with the switch free.  
(Clutch pedal depressed)
- Check that there is no continuity between terminals 2 and 3 with the switch pin pushed.  
(Clutch pedal released)

If continuity is not as specified, replace the switch.



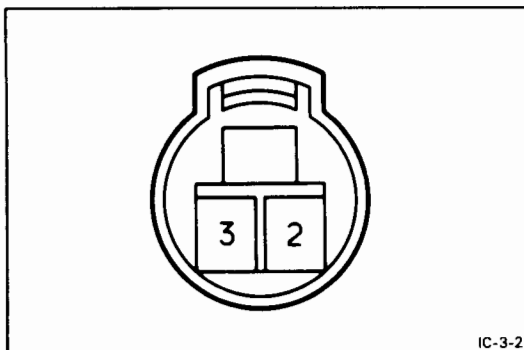
## Parking Brake Switch

### INSPECTION OF SWITCH

#### INSPECT SWITCH CONTINUITY

- Check that there is continuity between the terminals with the switch free.  
(Parking brake lever pulled up)
- Check that there is no continuity between the terminals with the switch pin pushed.  
(Parking brake lever released)

If continuity is not as specified, replace the switch.



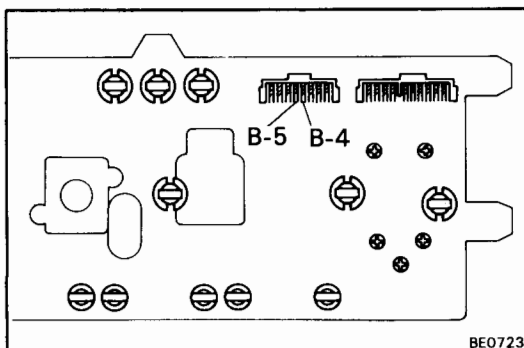
## Neutral Start Switch

### INSPECTION OF SWITCH

#### INSPECT SWITCH CONTINUITY

Check that there is continuity between terminals 2 and 3 with switch position "P" and "N" ranges.

If continuity is not as specified, replace the switch.



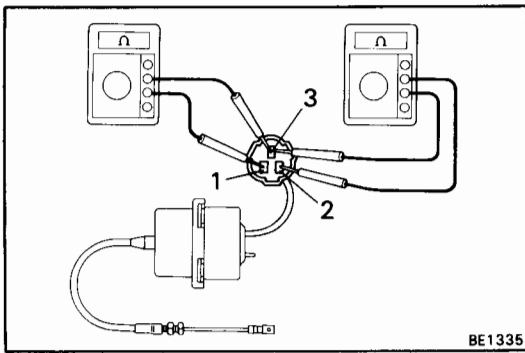
## Speed Sensor

### INSPECTION OF SENSOR

#### INSPECT SENSOR CONTINUITY

Check that there is continuity between terminals B4 and B5 four times per each revolution of the shaft.

If continuity is not as specified, replace the sensor.



## Actuator

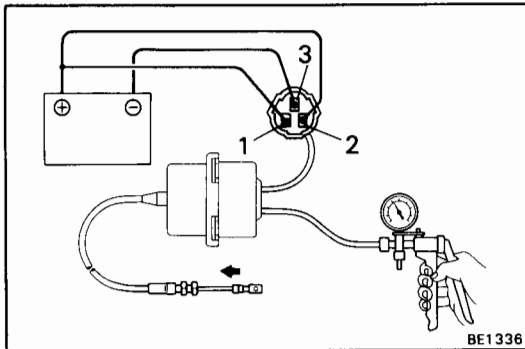
### INSPECTION OF ACTUATOR

#### 1. INSPECT ACTUATOR RESISTANCE

Measure the resistance value between terminals as follows.

**Resistance:** 2 – 3 approx. 30  $\Omega$   
1 – 3 approx. 68  $\Omega$

If the resistance value is not as specified, replace the actuator.



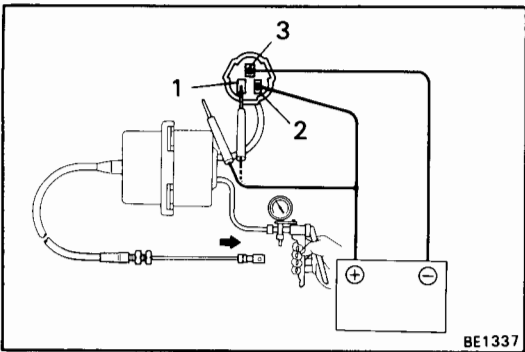
#### 2. INSPECT ACTUATOR OPERATION

(a) Connect the positive (+) lead from the battery to terminals 1 and 2, and the negative (-) lead to terminal 3.

(b) Slowly apply vacuum from 0 – 300 mmHg (0 – 11.81 in.Hg, 0 – 40.0 kPa), and check that the control cable can be pulled smoothly.

(c) Disconnect terminal 1 or 2 and check that the control cable returns to its original position and the vacuum returns to 0 mmHg (0 in.Hg, 0 kPa).

If operation is not as specified, replace the actuator.



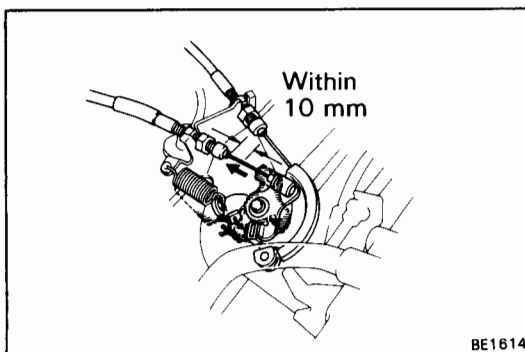
#### 3. INSPECT CONTROL CABLE FREEPLAY

(a) Connect the positive (+) lead from the battery to terminals 1 and 2, and the negative (-) lead to terminal 3.

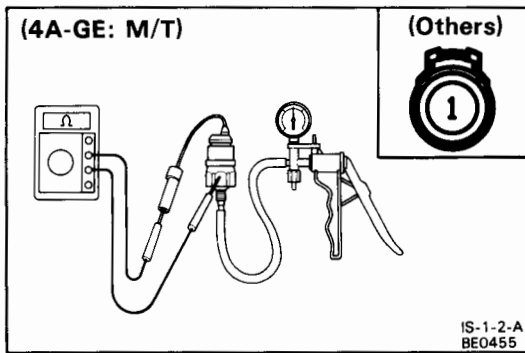
(b) Slowly apply vacuum from 0 – 300 mmHg (0 – 11.81 in.Hg, 0 – 40.0 kPa), and measure the cable stroke to where the throttle valve begins to open.

**Standard:** Approx. within 10 mm (0.39 in.) with a slight amount of freeplay.

If freeplay is not as specified, adjust the control cable freeplay.







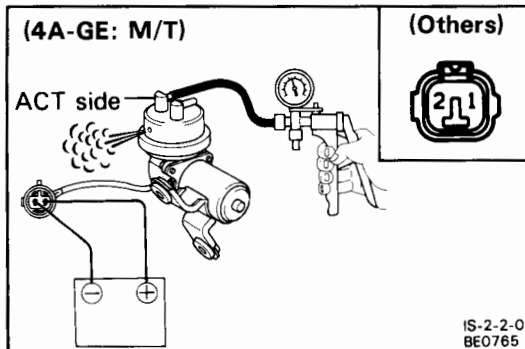
## Vacuum Switch

### INSPECTION OF SWITCH

#### INSPECT SWITCH OPERATION

- Check that there is no continuity between terminal and body with a vacuum of  $170 \pm 10$  mmHg ( $6.69 \pm 0.39$  in.Hg,  $22.7 \pm 1.3$  kPa) or above.
- Check that there is continuity between terminal and body with no vacuum.

If operation is not as specified, replace the switch.



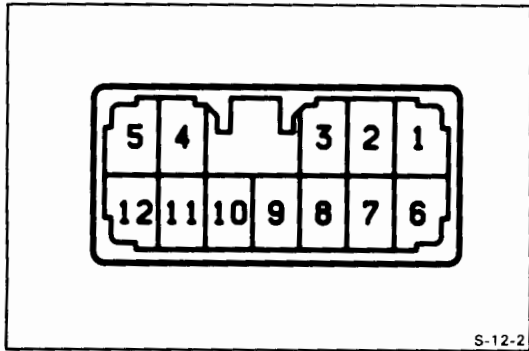
## Vacuum Pump

### INSPECTION OF PUMP

#### INSPECT VACUUM PUMP OPERATION

- Connect a vacuum gauge to the ACT side of the pump.
- Connect the positive (+) lead from the battery to terminal 1 and the negative (-) lead to terminal 2.
- Check that there is the vacuum of 200 mmHg (7.87 in.Hg, 26.7 kPa) or above.

If operation is not as specified, replace the pump.



S-12-2

## POWER WINDOW

### Power Window Master Switch

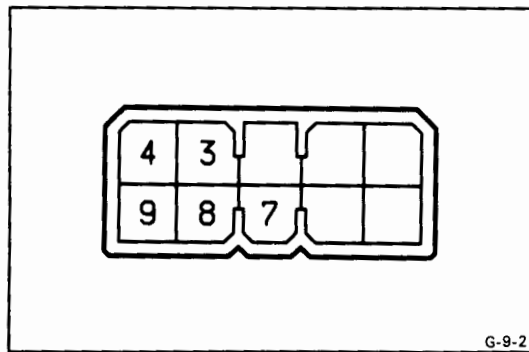
#### INSPECTION OF POWER WINDOW MASTER SWITCH

##### INSPECT SWITCH CONTINUITY

Inspect the switch continuity between terminals.

Operation window		Driver's side			Passenger's side			
Terminal Switch position		2	8	9	3	6	1	4
Window unlock	Up	○	—	○	○	○	○	○
	OFF					○	○	○
	DOWN			○	○	○	○	○
Window lock	UP	○	—	○	○			
	OFF					○	○	
	DOWN			○	○	○	○	
AUTO			○	○	○			

If continuity is not as specified, replace the switch.



G-9-2

### Power Window Door Switch

#### INSPECTION OF POWER WINDOW DOOR SWITCH

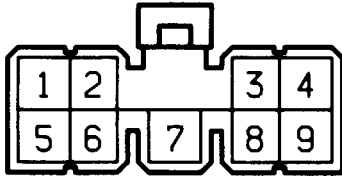
##### INSPECT SWITCH CONTINUITY

Inspect the switch continuity between terminals.

Terminal Switch position	3	4	7	8	9
UP		○	—	○	○
OFF	○	○	○	○	○
DOWN	○	○		○	○

If continuity is not as specified, replace the switch.

Wire Harness Side



G-9-1

## Power Window Relay

### ON-VEHICLE INSPECTION OF POWER WINDOW RELAY

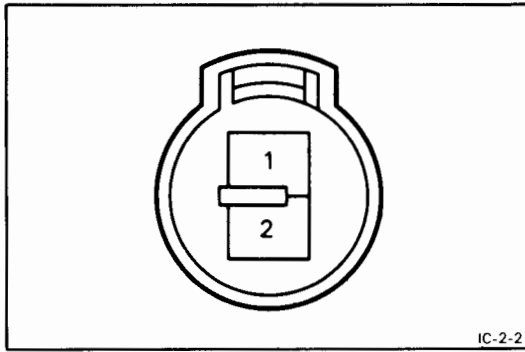
#### INSPECT RELAY CIRCUIT

- (a) Disconnect the relay connector and inspect the connector on the wire harness side as shown in the table below.

Check for	Tester connection	Condition	Specified value
Voltage	2 – Body ground	Turn ignition switch on.	Battery voltage
		Turn ignition switch off.	No voltage
Continuity	3 – Body ground	—	Continuity
Voltage	5 – Body ground	Turn master switch to UP.	Battery voltage
		Turn master switch to except UP.	No voltage
	8 – Body ground	Turn master auto switch to DOWN.	Battery voltage
		Turn master auto switch to OFF.	No voltage
	9 – Body ground	Turn master switch or master auto switch to DOWN.	Battery voltage
		Turn master switch or master auto switch to except DOWN.	No voltage

- (b) Connect the positive (+) lead from the battery to terminal 1 and negative (–) lead to terminal 4, check that the window operates to up. Then, reverse the polarity, check that the window operates to down. If does not operate, remove and test the motor.

If circuit operation is correct, replace the motor.



IC-2-2

## Power Window Motor

### INSPECTION OF POWER WINDOW MOTOR

#### 1. INSPECT MOTOR OPERATION

- (a) Connect the positive (+) lead from the battery to terminal 1 and negative (-) lead to terminal 2, and check that the motor turns.
- (b) Connect the positive (+) lead from the battery to terminal 2 and negative (-) lead to terminal 1, and check that the motor turns the opposite way.

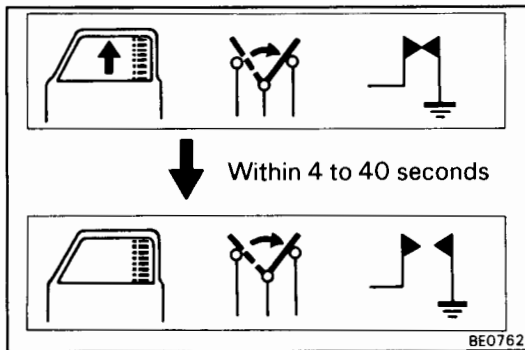
If operation is not as specified, replace the motor.

#### 2. INSPECT CIRCUIT BREAKER OPERATION

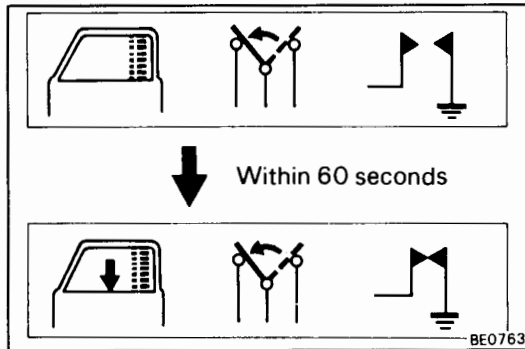
- (a) With the window, fully closed, hold the power window switch on "UP" and check that there is circuit breaker operation noise within 4 to 40 seconds.

- (b) With the window fully closed, hold the switch on "DOWN" and check that the window begins to descend within 60 seconds.

If operation is not as specified, replace the motor.



BE0762



BE0763

# DOOR LOCK CONTROL SYSTEM

## Door Lock Switch

### INSPECTION OF DOOR LOCK SWITCH

#### INSPECT SWITCH CONTINUITY

Inspect the switch continuity between terminals.

Driver's side

Terminal Switch position	12	5	4
LOCK		○ — ○	
OFF			
UNLOCK	○ — ○		

Passenger's side

Terminal Switch position	2	5	6
LOCK	○ — ○		
OFF			
UNLOCK		○ — ○	

If continuity is not as specified, replace the switch.

## Unlock Warning Switch

(See page BE-11)

## Door Lock Key Switch

### INSPECTION OF DOOR LOCK KEY SWITCH

#### INSPECT SWITCH CONTINUITY

- Check that there is continuity between terminals 2 and 3 with the switch free. (Switch to Lock)
- Check that there is continuity between terminals 1 and 2 with the switch pin pushed. (Switch to unlock)

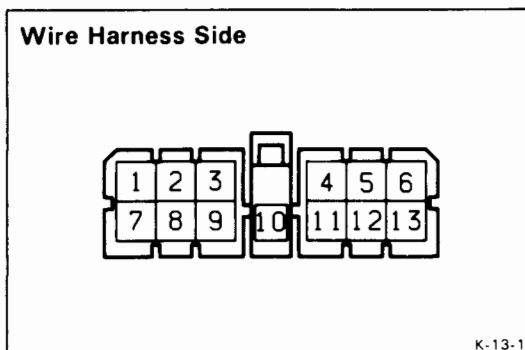
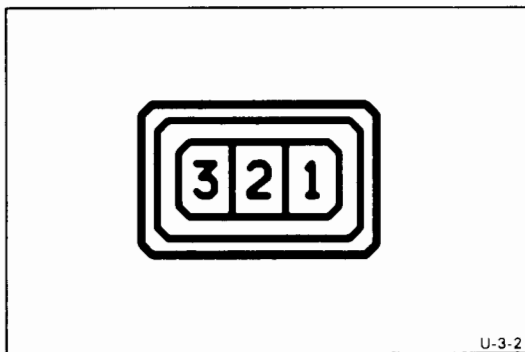
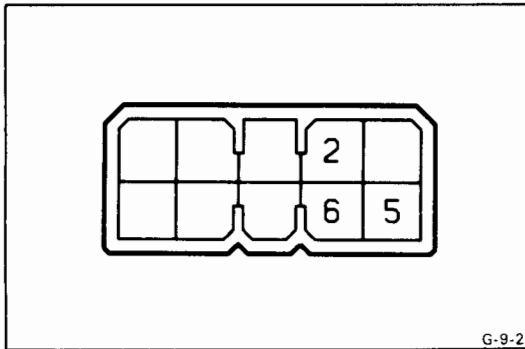
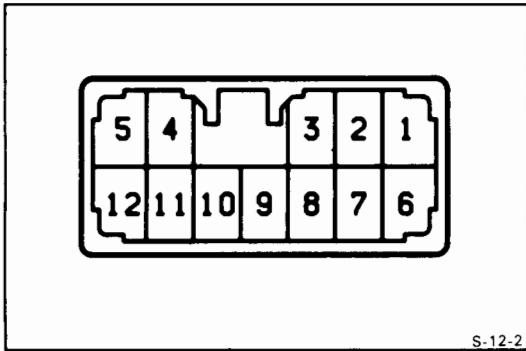
If continuity is not as specified, replace the switch.

## Door Lock Control Relay

### INSPECTION OF DOOR LOCK CONTROL RELAY

#### INSPECT RELAY OPERATION

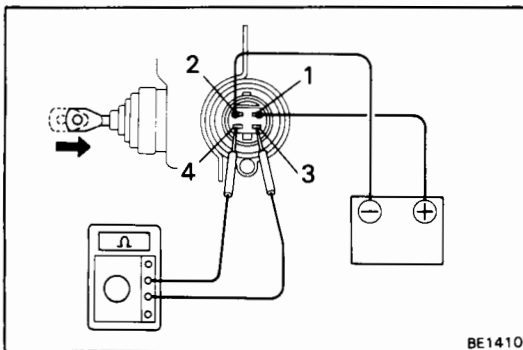
- Disconnect the relay connector and inspect the connector on the wire harness side as shown in the table.



Check for	Tester connection	Condition	Specified value
Continuity	1 – Body ground	LH door opened	Continuity
		LH door closed	No continuity
Voltage	2 – Body ground	————	Battery voltage
Continuity	6 – Body ground	Turn the following switches, one by one to lock ● Control switch LH ● LH door key switch ● RH door key switch ● Control switch RH	Continuity
		Turn the following switches, one by one to except lock ● Control switch LH ● LH door key switch ● RH door key switch ● Control switch RH	No continuity
	7 – Body ground	RH door opened	Continuity
		RH door closed	No continuity
	9 – Body ground	LH door lock switch to unlock	Continuity
		LH door lock switch to lock	No continuity
	10 – Body ground	————	Continuity
	11 – Body ground	RH door lock switch to unlock	Continuity
		RH door lock switch to lock	No continuity
	12 – Body ground	Set the ignition key switch	Continuity
		Remove the ignition key switch	No continuity
	13 – Body ground	Turn the following switches, one by one to unlock ● Control switch LH ● LH door key switch ● RH door key switch ● Control switch RH	Continuity
		Turn the following switch, one by one to except unlock ● Control switch ● LH door key switch ● RH door key switch ● Control switch RH	No continuity

- (b) Connect the positive (+) lead from the battery to terminal 3 and negative (-) lead to terminal 4, check that the solenoids operate unlock direction. Then, reverse the polarity, check that the solenoids operate lock direction. If any of the solenoids does not operate, remove and test the solenoid.

If circuit operation is correct, replace the relay.

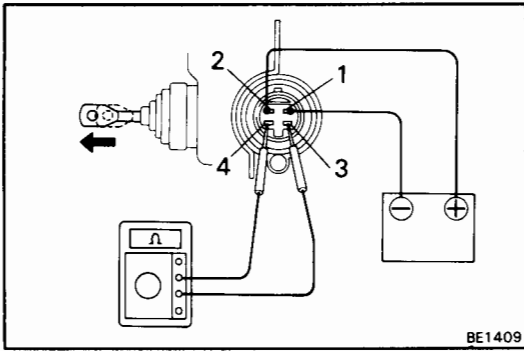


## Door Lock Solenoid

### INSPECTION OF DOOR LOCK SOLENOID

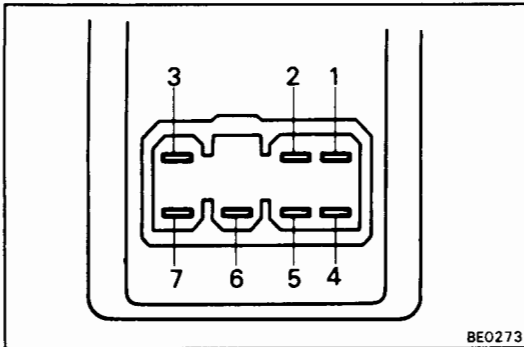
#### INSPECT SOLENOID OPERATION

- (a) Connect the positive (+) lead from the battery to terminal 1. Connect the negative (-) lead to terminal 2. Check that the solenoid operates in the lock direction.
- (b) Check that there is no continuity between terminals 3 and 4.



- (c) Connect the positive (+) lead from the battery to terminal 2. Connect the negative (-) lead to terminal 1. Check that the solenoid operates in the unlock direction.
- (d) Check that there is continuity between terminals 3 and 4.

If operation is not as specified, replace the solenoid.



## REMOTE CONTROL MIRROR

### Mirror Switch

#### INSPECTION OF MIRROR SWITCH

##### INSPECT SWITCH CONTINUITY

Inspect the switch continuity between terminals.

Mirror Switch position	Left					Right			
	Terminal 7	6	1	2	3	2	1	5	4
UP	○		○		○	○		○	○
DOWN	○			○		○			○
LEFT		○	○		○	○		○	
RIGHT			○	○		○	○		

If continuity is not as specified, replace the switch.

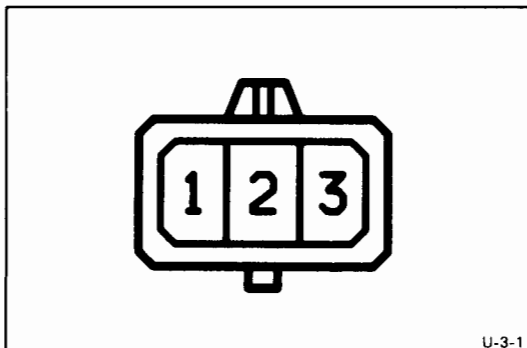
## Remote Control Mirror

### ON-VEHICLE INSPECTION OF MIRROR

#### INSPECT LEFT AND RIGHT MIRROR OPERATION

- (a) Connect the positive (+) lead from the battery to terminal 1 and the negative (-) lead to terminal 2. Check that the mirror moves upward.
- (b) Connect the leads in reverse. Check that the mirror moves to downward.
- (c) Connect the positive (+) lead from the battery to terminal 3 and the negative (-) lead to terminal 2. Check that the mirror moves to the left.
- (d) Connect the leads in reverse. Check that the mirror moves to the right.

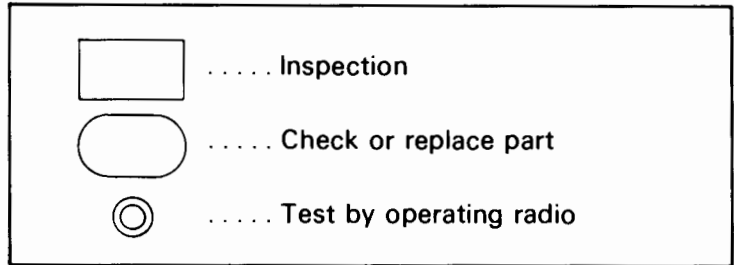
If operation is not as specified, replace the mirror.



# RADIO, STEREO TAPE PLAYER AND ANTENNA

## Troubleshooting

### DESCRIPTION OF SYMBOLS



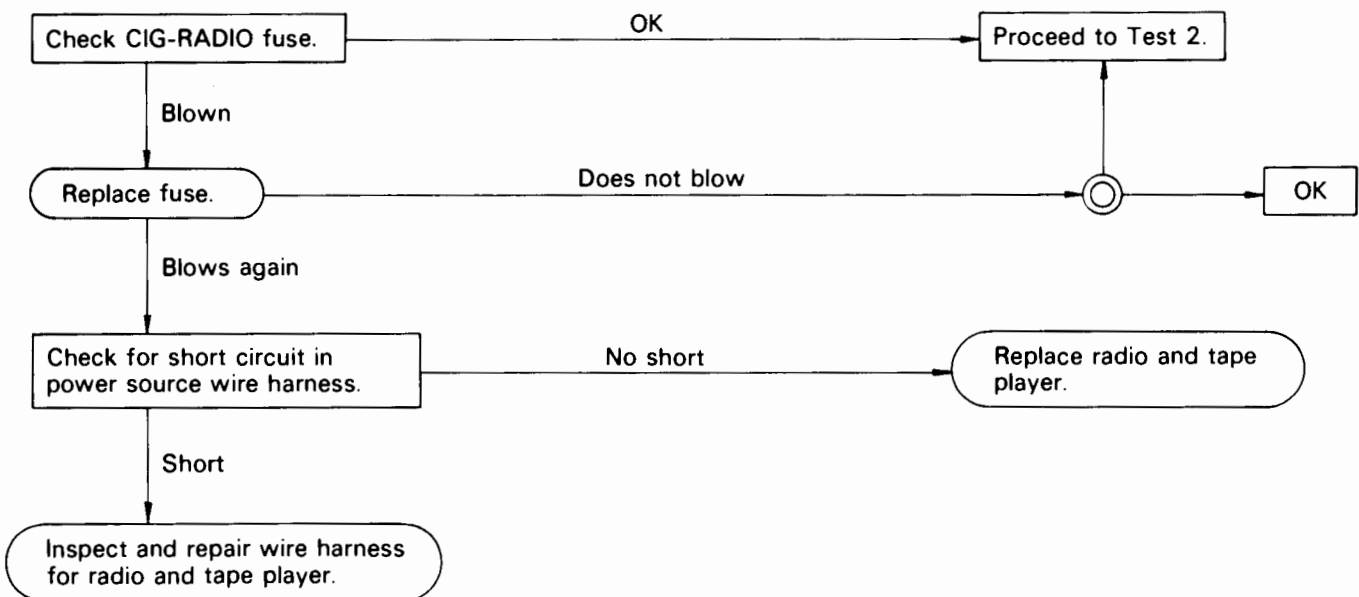
### 1. DEAD RADIO AND TAPE PLAYER

(a) No power to radio or tape player, or power but no sound.

Possible causes:

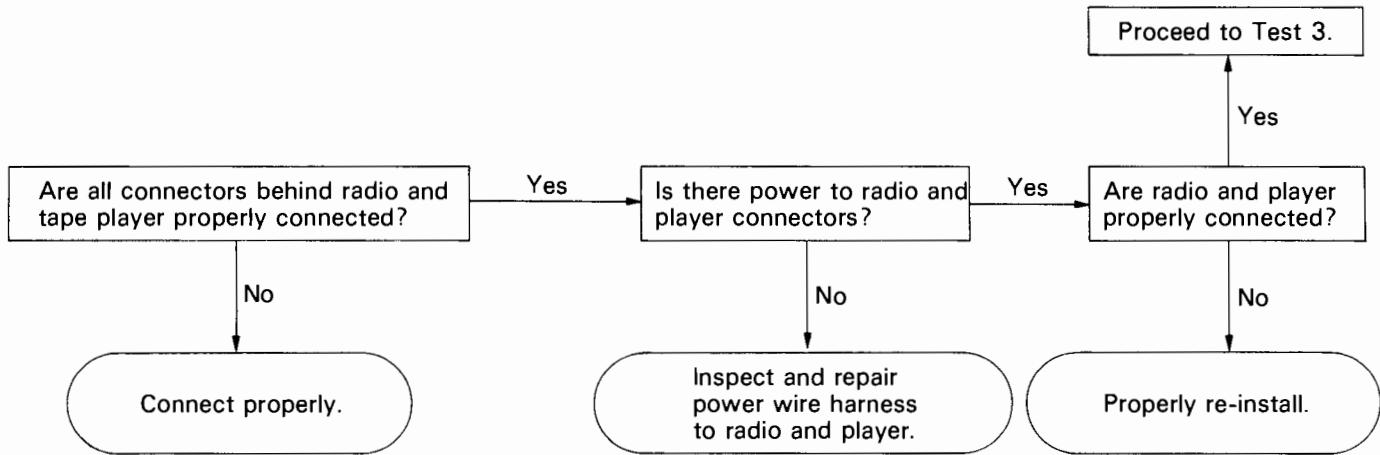
- Blown CIG-RADIO fuse
- Short circuit or broken wire in power source wire harness
- Loose connectors behind radio and tape player
- Loose speaker connector
- Defective speaker
- Broken wire in speaker wire harness
- Improperly installed radio or tape player
- Defective radio or tape player

#### TEST 1

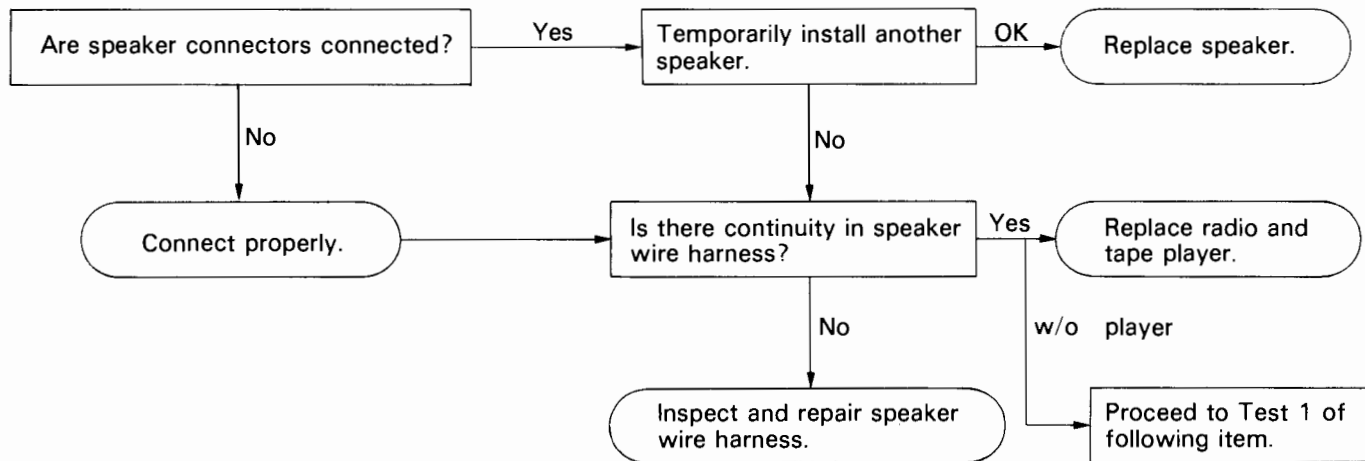




## TEST 2



## TEST 3

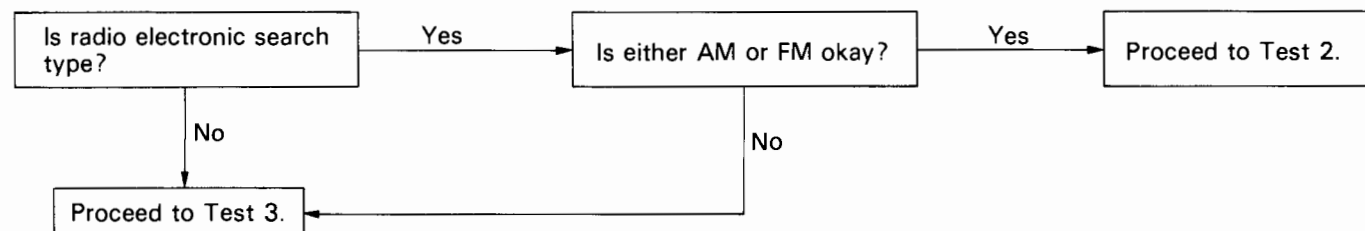


(b) Tape player okay but no sound from either the AM or FM band.

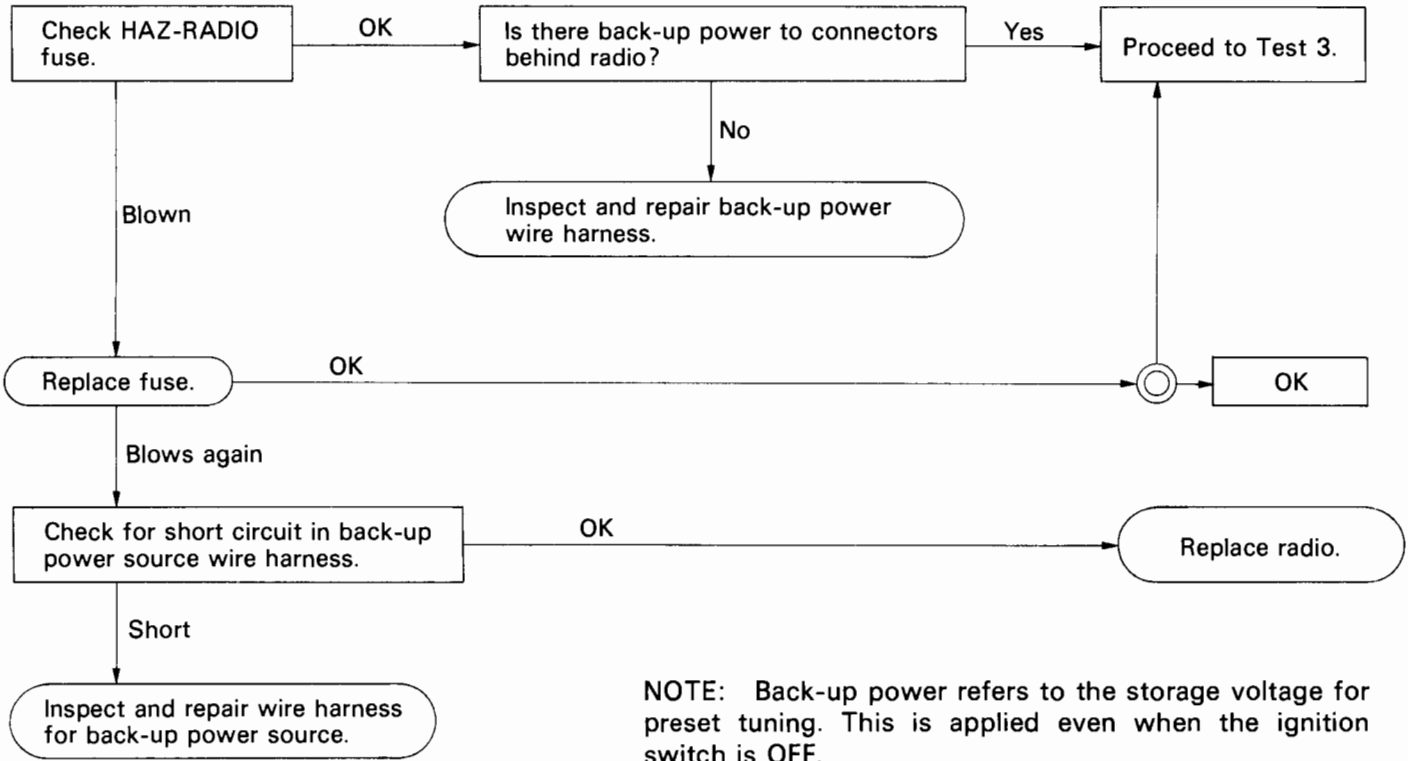
Possible causes:

- Antenna disconnected
- Antenna plug not properly connected
- Defective antenna
- Defective antenna cable
- Defective radio or tape player
- Blown HAZ-RADIO fuse
- Short circuit or broken wire in wire harness for back-up power source

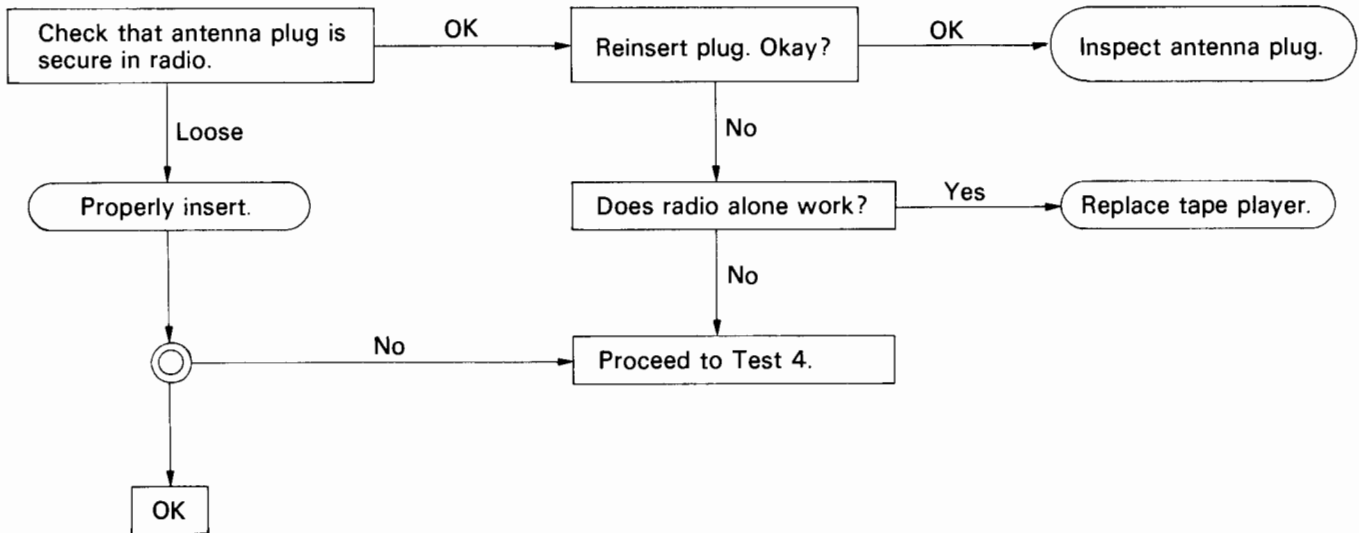
## TEST 1



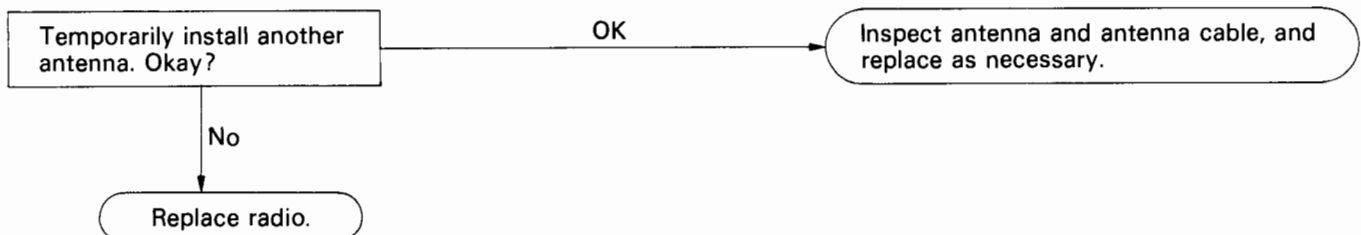
TEST 2



TEST 3



TEST 4

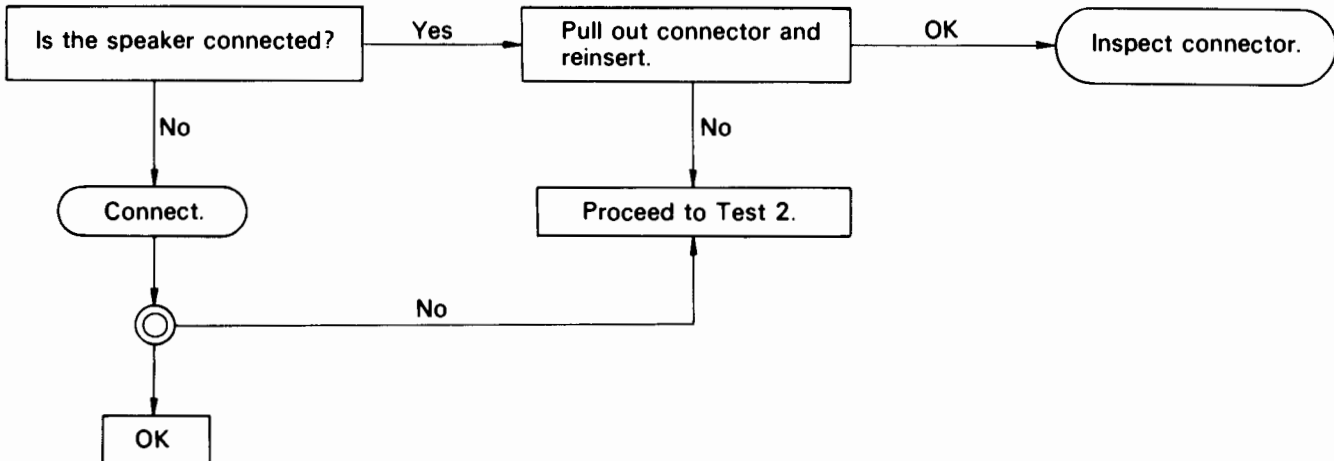


(c) No sound from one speaker.

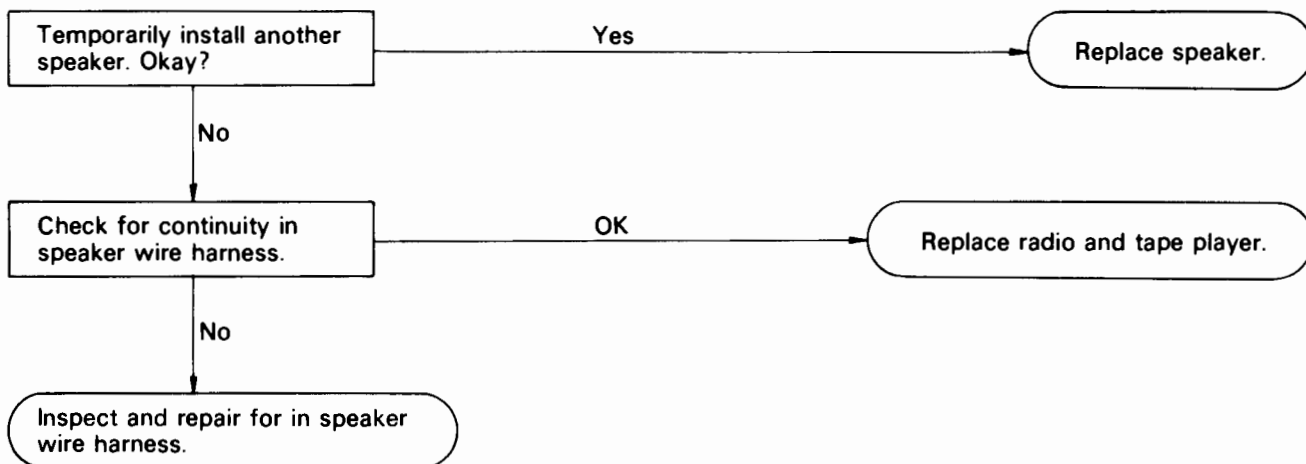
Possible causes:

- Loose speaker connector
- Broken wire in speaker wire harness
- Defective speaker
- Defective radio and tape player

### TEST 1



### TEST 2

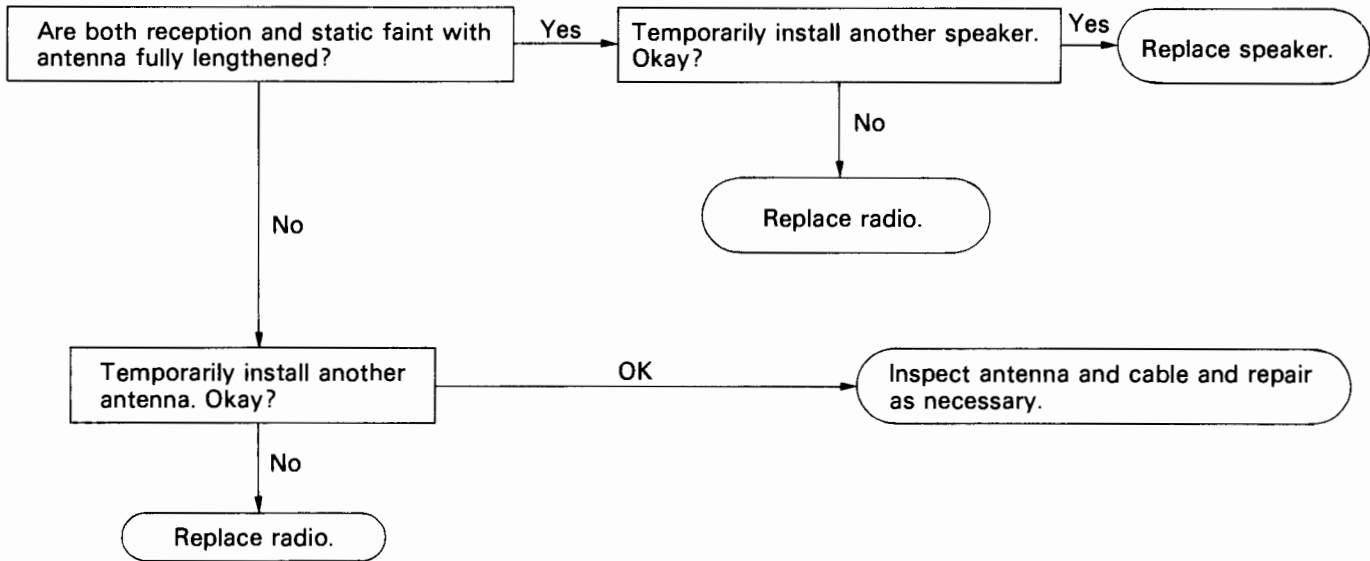


**2. FAINT RECEPTION**

Possible causes:

- Defective antenna or cable
- Defective speaker
- Defective radio

TEST



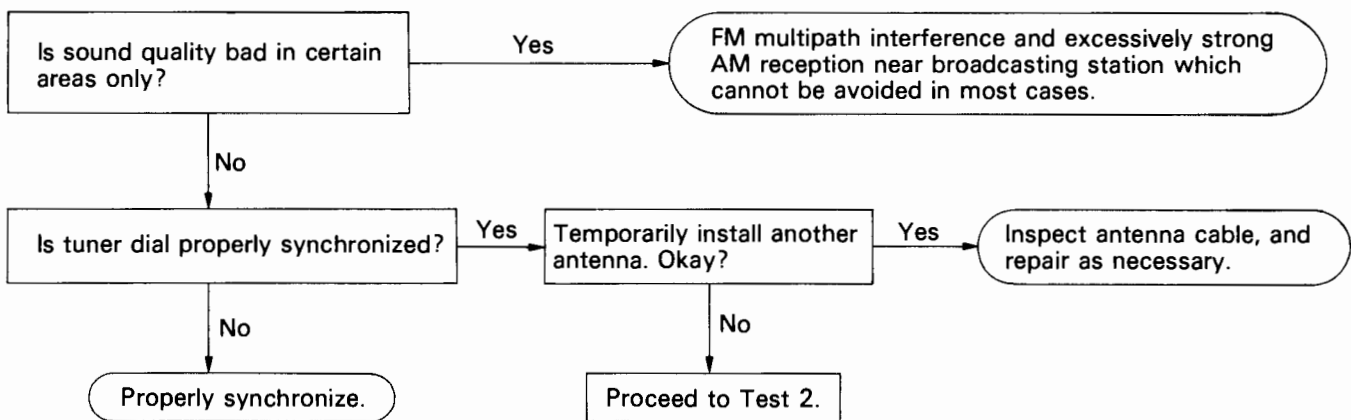
**3. BAD SOUND QUALITY**

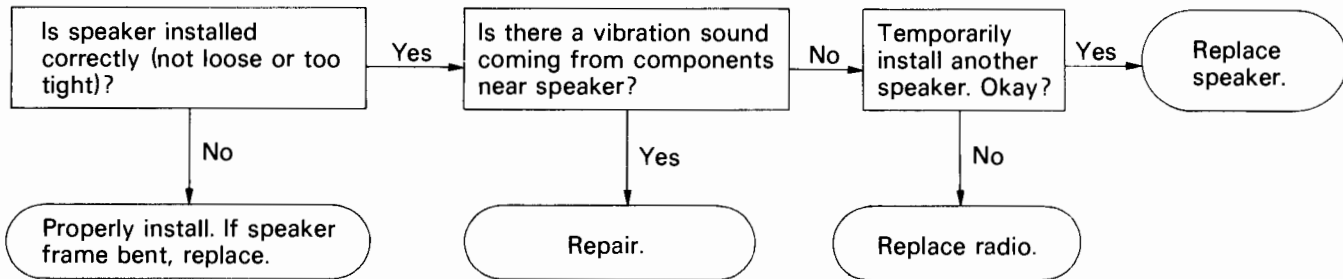
(a) Sound quality bad when radio played.

Possible causes:

- Multipath interference or excessive interception
- Tuner dial not synchronized with station
- Defective antenna
- Defective antenna cable
- Speaker improperly installed
- Vibration sound from components near speaker
- Defective speaker
- Defective radio

TEST 1



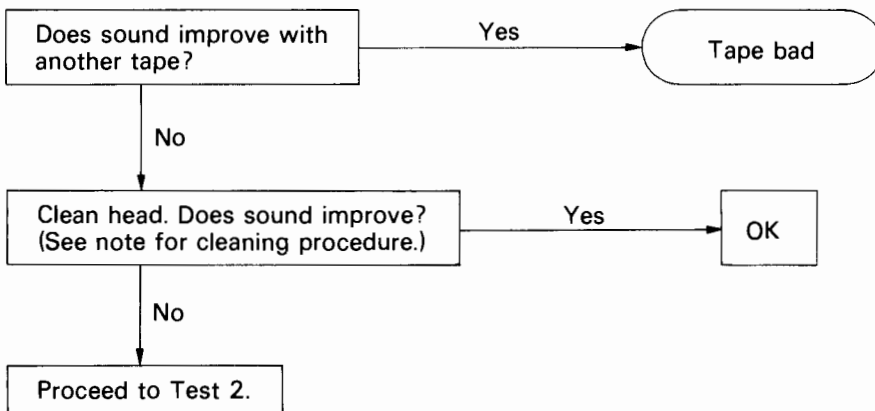
TEST 2

NOTE: FM distortion tends to increase sharply if the tuner not synchronized.

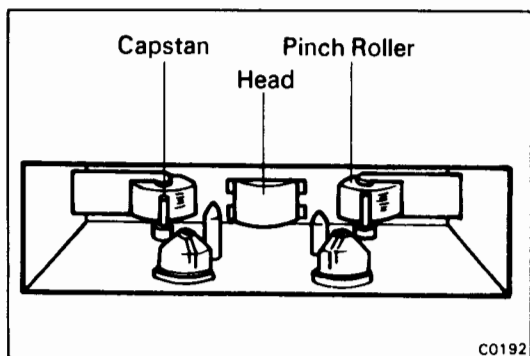
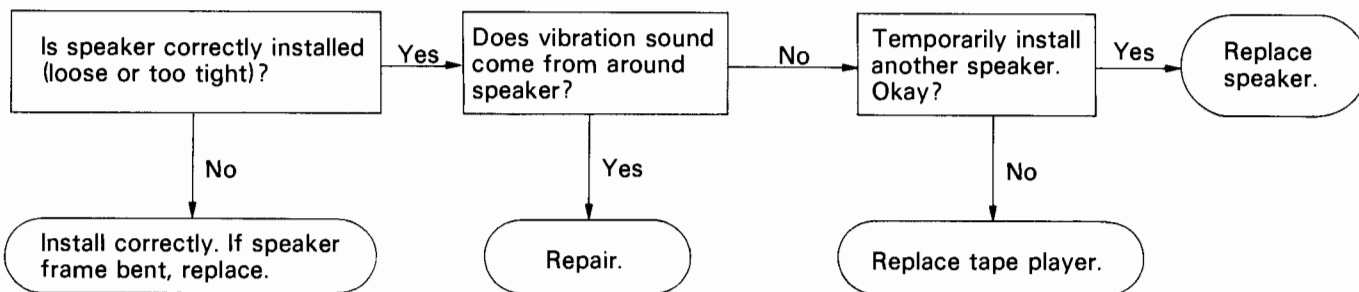
(b) Sound quality bad when tape player played.

Possible causes:

- Bad tape
- Dirty head
- Incorrectly installed speaker
- Vibration noise from around speaker
- Defective speaker
- Defective tape player

TEST 1

TEST 2



NOTE: Head cleaning procedure.

- (1) Raise the cassette door with your finger. Next using a pencil or like object, push in the guide.
- (2) Using a cleaning pen or cotton applicator soaked in alcohol, clean the head surface, pinch rollers and capstans.
- (3) Push in the "eject" button.

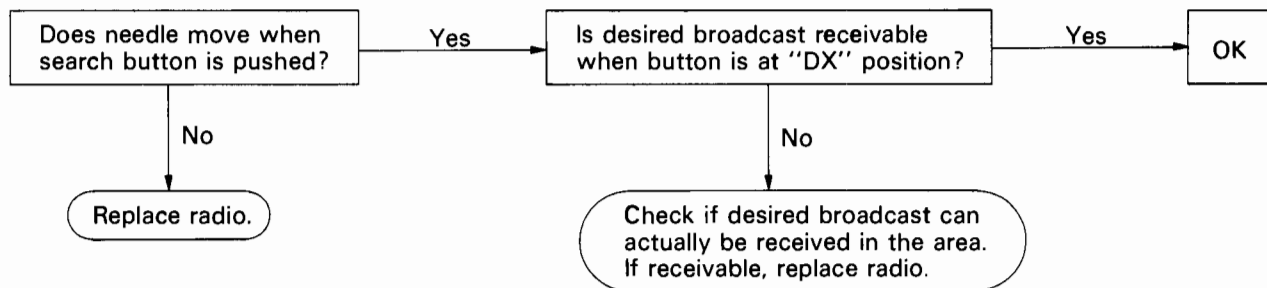
4. DEFECTIVE AUTO-SEARCH MECHANISM

Manual search possible but automatic search mechanism does not function or does not stop at all receivable stations.

Possible causes:

- Poor search sensitivity (DX/LOC button)
- Defective radio

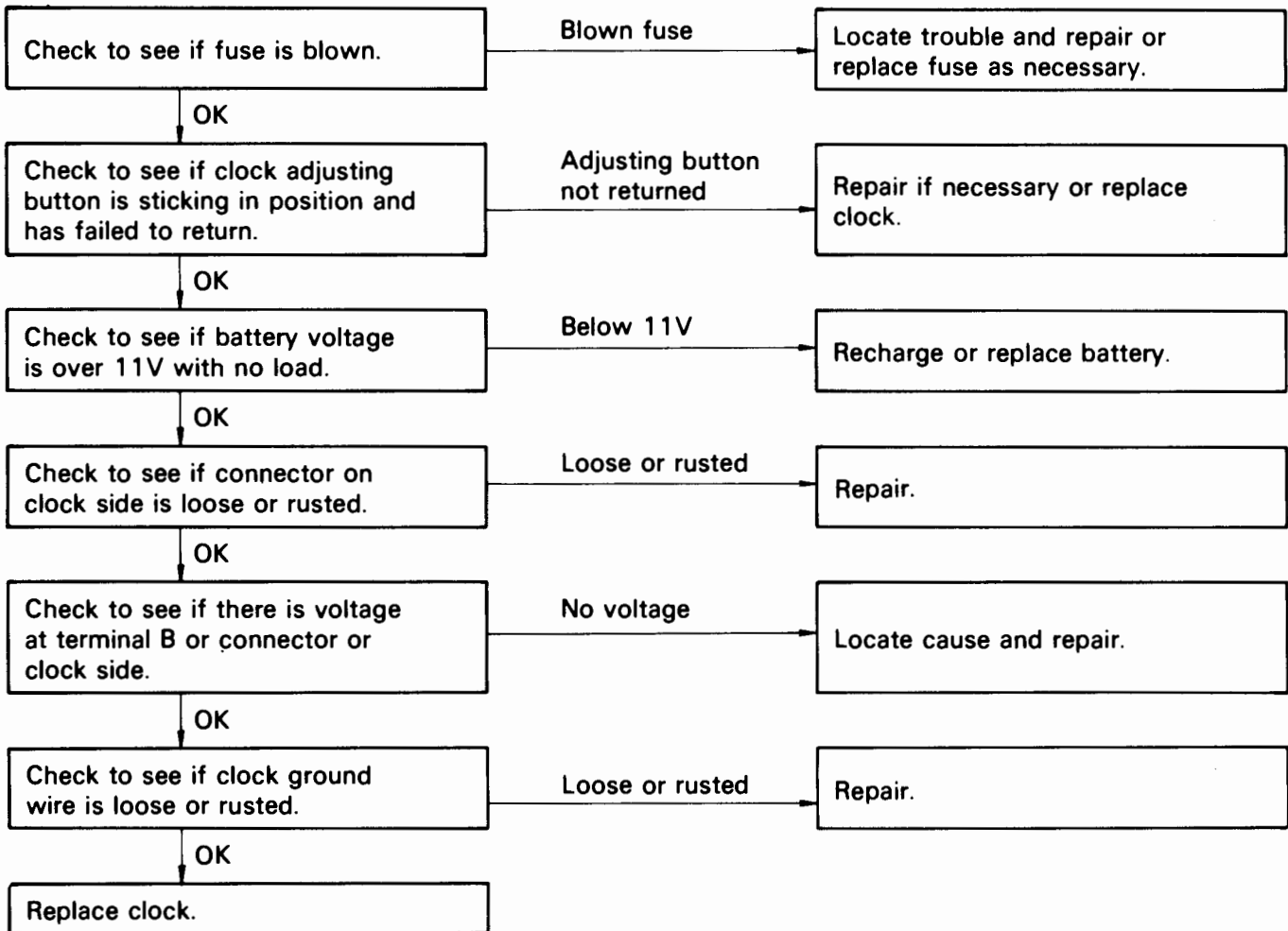
TEST



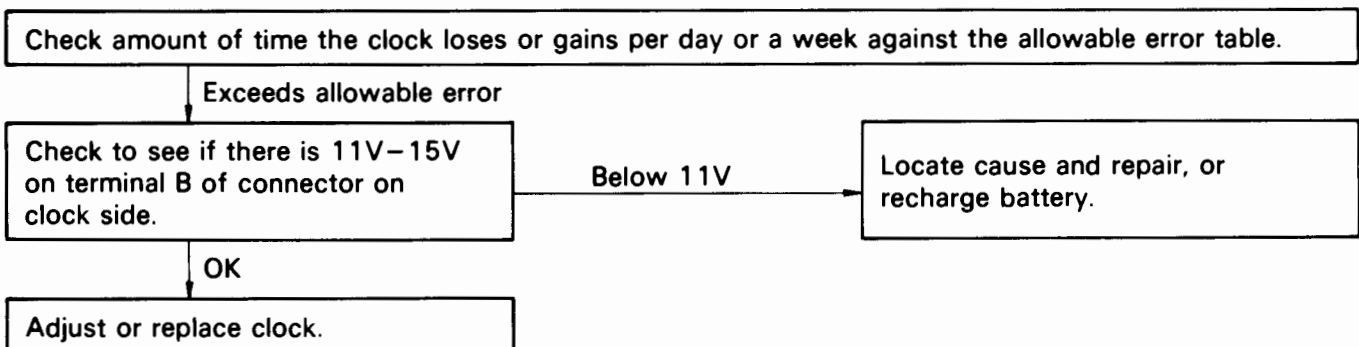
# CLOCK

## Troubleshooting

### CLOCK WILL NOT OPERATE



### CLOCK LOSES OR GAINS TIME



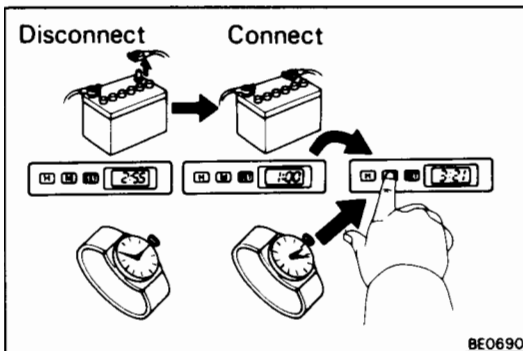
**1. INSPECT ALLOWABLE ERROR OF CLOCK**

Check the allowable error of the clock.

**Allowable error (per day):  $\pm 1.5$  seconds**

**2. ADJUSTMENT OF CLOCK**

Adjustment of the quartz clock requires a precise digital counter. Adjustment must be made in a shop specified by the manufacturer.

**3. SETTING OF CLOCK**

(a) Connect the battery terminal.

(b) Check the clock to see that it is running, and then set it to the correct time.

**NOTE:** Whenever the battery terminal is disconnected, make sure to set the clock to the correct time after reconnecting the battery.



# BODY

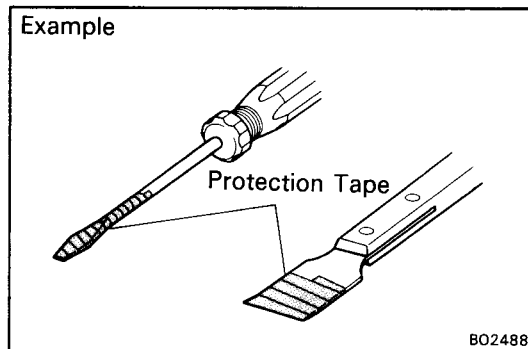
	Page
GENERAL INFORMATION .....	BO-2
FRONT HOOD .....	BO-3
ENGINE HOOD .....	BO-3
HEADLIGHT .....	BO-4
FRONT DOOR .....	BO-5
LUGGAGE COMPARTMENT LID .....	BO-15
MOULDING .....	BO-16
WINDSHIELD .....	BO-31
QUARTER WINDOW GLASS .....	BO-37
REAR WINDOW GLASS .....	BO-39
T-BAR ROOF .....	BO-43
SUN ROOF .....	BO-50
INSTRUMENT PANEL .....	BO-54
SEAT .....	BO-60
SEAT BELT .....	BO-61
BODY DIMENSIONS .....	BO-62

## GENERAL INFORMATION

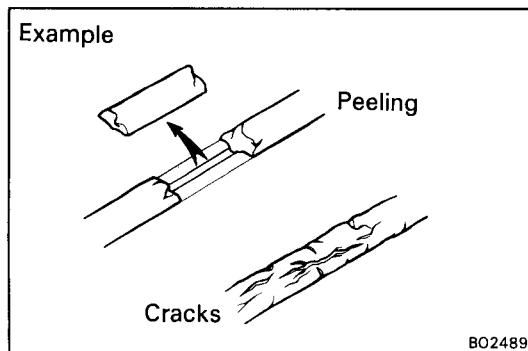
If there is a possibility that the body or/and part may be damaged, first removed the danger before performing repair operations.

Example:

1. Apply protection tape to the body adjacent for removing and installing body part.



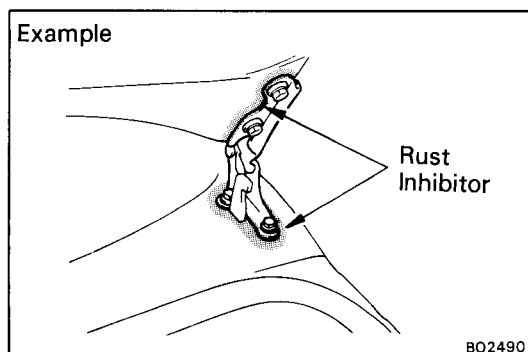
2. When prying off the body parts with a screwdriver or scraper etc., be sure to apply protection tape to the tip or blade to prevent from damaged the paint film or body part.



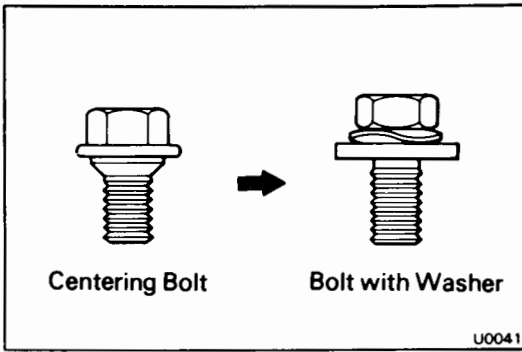
If damaged the anti-rust agents while repairing, be sure to repair with each anti-rust agent.

Example:

1. If body sealer, paint film and undercoat are damaged by peeling, cracks, etc., be sure to repair with each anti-rust agent.



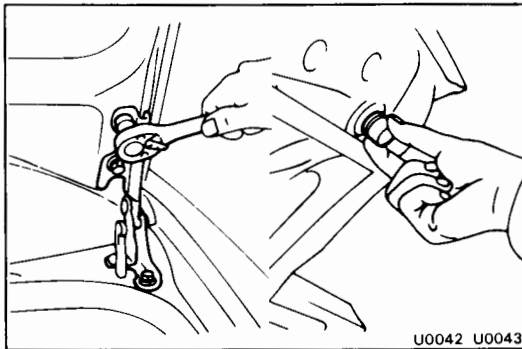
2. If loosen or removed the hinge or exterior body panel, after repairing be sure to apply rust inhibitor.



## FRONT HOOD

### ADJUSTMENT OF FRONT HOOD

NOTE: Since the centering bolt is used as the hood hinge set bolt, the hood can not be adjusted with it on. Substitute the bolt with washer for the centering bolt.

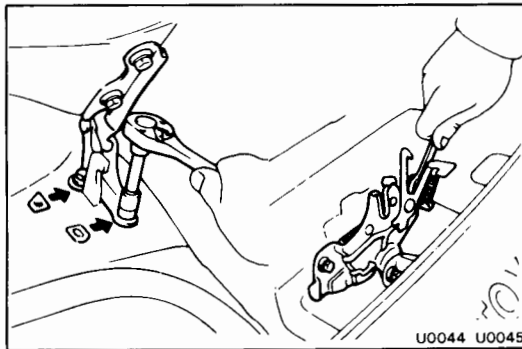


**1. ADJUST HOOD IN FORWARD/REARWARD AND LEFT/RIGHT DIRECTIONS**

Adjust the hood by loosening the hood side hinge bolts.

**2. ADJUST FRONT EDGE OF HOOD IN VERTICAL DIRECTION**

Adjust the hood by turning the cushions.

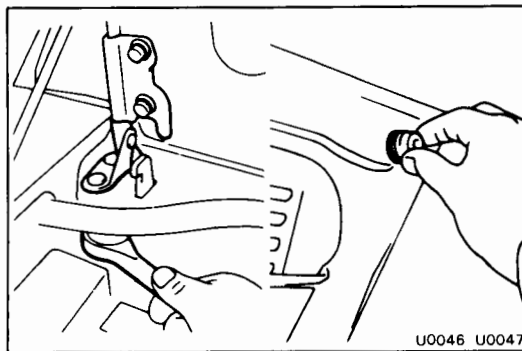


**3. ADJUST REAR EDGE OF HOOD IN VERTICAL DIRECTION**

Adjust the hood by increasing or decreasing the number of the shims.

**4. ADJUST HOOD LOCK**

Adjust the hood lock by loosening the mounting bolts.



## ENGINE HOOD

### ADJUSTMENT OF ENGINE HOOD

**1. ADJUST ENGINE HOOD IN FORWARD/REARWARD AND LEFT/RIGHT DIRECTIONS**

Adjust the hood by loosening the body side hinge bolts.

**2. ADJUST REAR EDGE OF ENGINE HOOD IN VERTICAL DIRECTION**

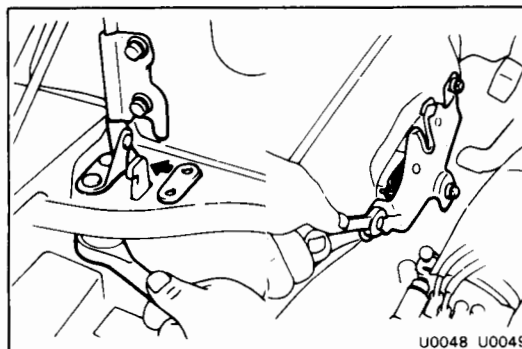
Adjust the hood by turning the cushions.

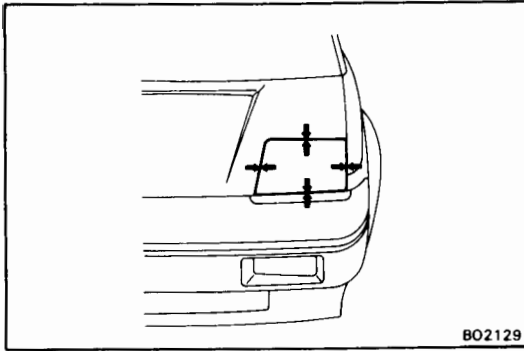
**3. ADJUST FRONT EDGE OF ENGINE HOOD IN VERTICAL DIRECTION**

Adjust the hood by increasing or decreasing the number of shims.

**4. ADJUST HOOD LOCK**

Adjust the hood lock by loosening the mounting bolts.





BO2129

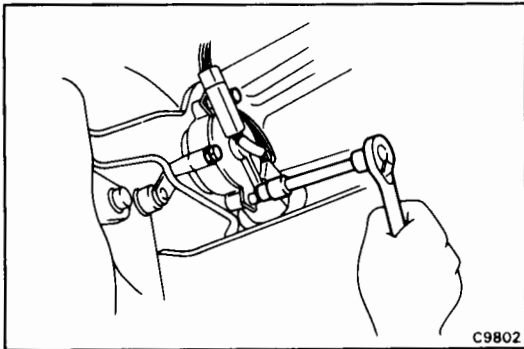
## HEADLIGHT

**WARNING:** When adjusting each section, raise or lower the headlight with the light control switch. But when adjusting each section, be sure to remove the RTR MTR fuse (30A) before adjusting.

### ADJUSTMENT OF HEADLIGHT

#### 1. ADJUST HEADLIGHT COVER FORWARD/REARWARD AND LEFT/RIGHT DIRECTION

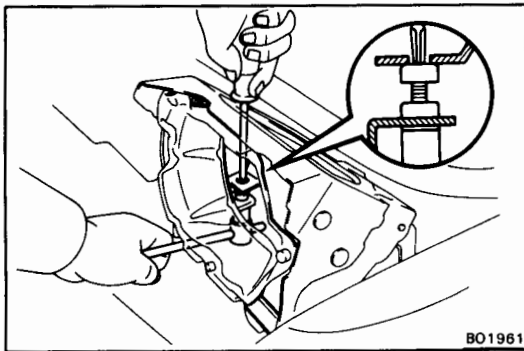
- (a) Remove the headlight door.
- (b) Remove the sealed beam.
- (c) Adjust the headlight cover by loosening the cover set screws.



C9802

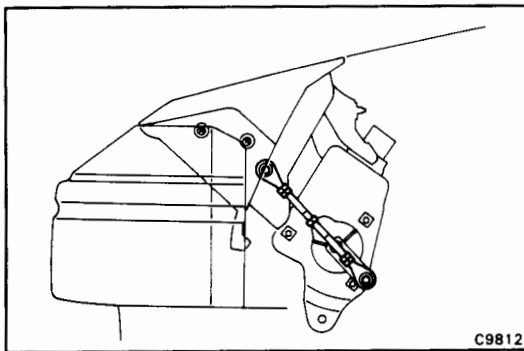
#### 2. ADJUST HEADLIGHT SLANT

- (a) Loosen the stopper lock nut.



BO1961

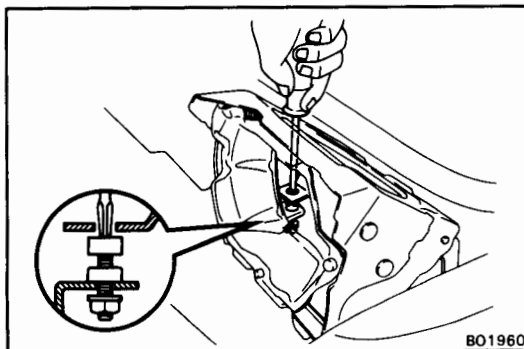
- (b) Lower the headlight.
- (c) Check that the crank arm and link rod are aligned.
- (d) If not aligned, adjust the length of link rod until both are aligned.



C9812

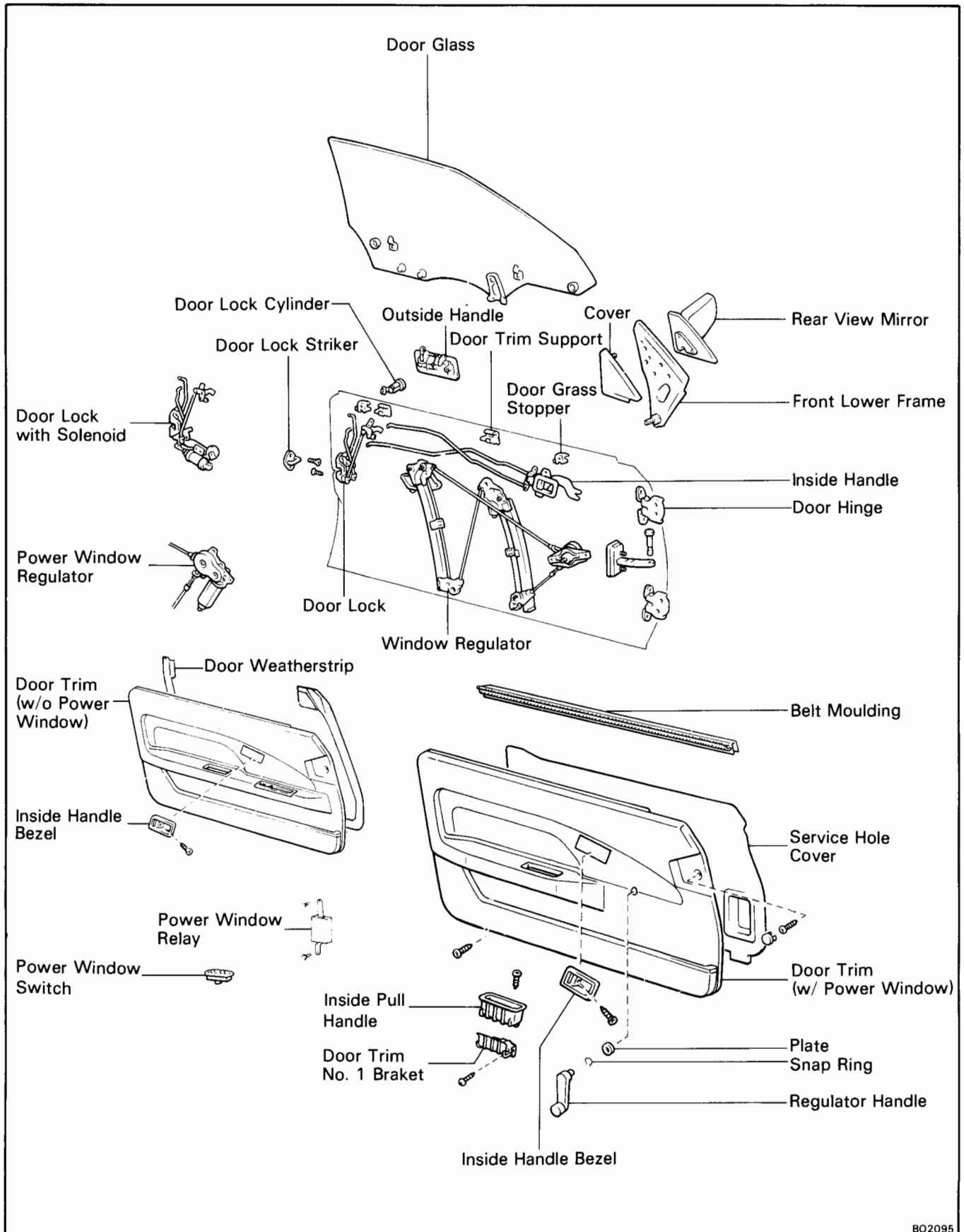
#### 3. ADJUST HEADLIGHT STOPPER POSITION

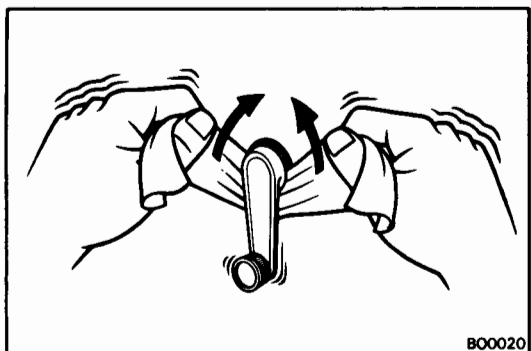
- (a) Raise the headlight.
- (b) Turn the stopper counterclockwise until it touches the headlight bracket, then turn it another 1/2 turn counterclockwise.
- (c) Tighten the stopper lock nut.
- (d) Install the sealed beam.
- (e) Install the headlight door.



BO1960

# FRONT DOOR COMPONENTS





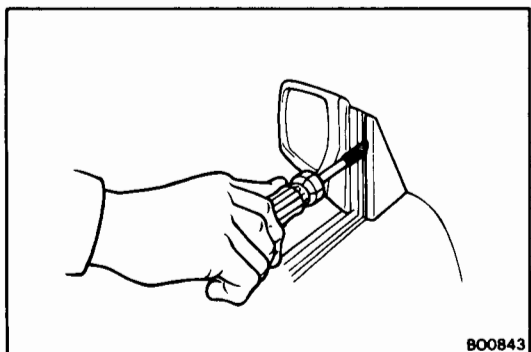
B00020

## DISASSEMBLY OF FRONT DOOR

### 1. REMOVE WINDOW REGULATOR HANDLE

Pull off the snap ring with a cloth and remove the regulator handle and plate.

### 2. REMOVE INSIDE HANDLE BEZEL

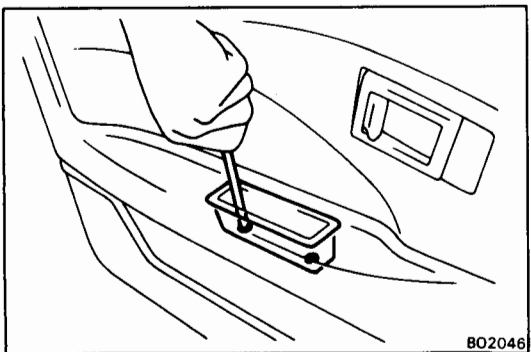


B00843

### 3. REMOVE REAR VIEW MIRROR COVER

Pry loose the retainer and remove the cover.

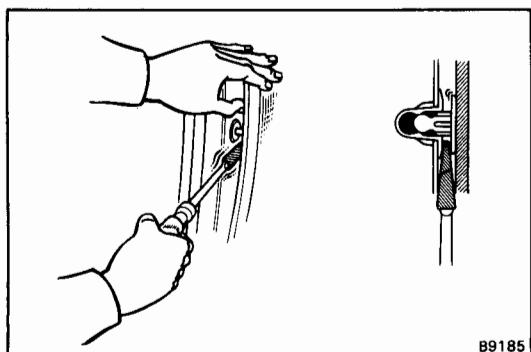
NOTE: Tape the screwdriver tip before using.



B02046

### 4. REMOVE DOOR TRIM

- (a) Remove the two screws and inside pull handle.
- (b) Remove the cap and four screws.



B9185

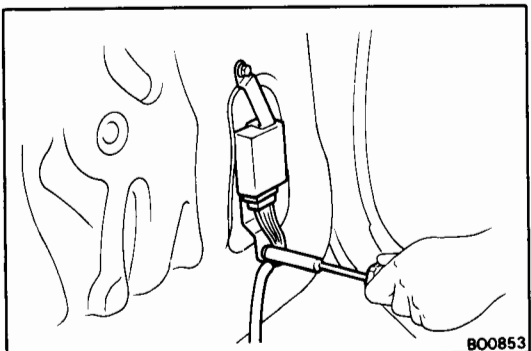
- (c) Insert a screwdriver between the retainers and door trim to pry it loose.

NOTE: Tape the screwdriver tip before using.

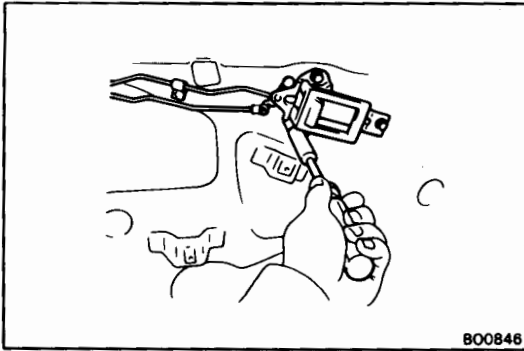
- (d) Disconnect the connector. (w/ Power window)

### 5. REMOVE POWER WINDOW RELAY (w/ POWER WINDOW)

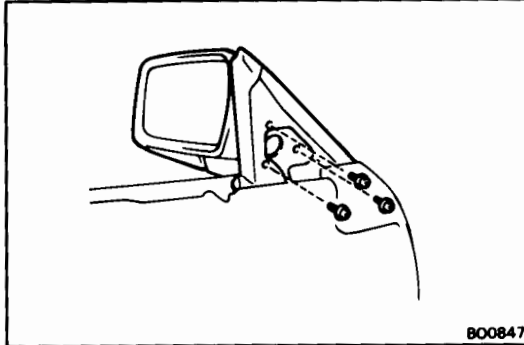
- (a) Remove the two screws.
- (b) Disconnect the connector from the relay.



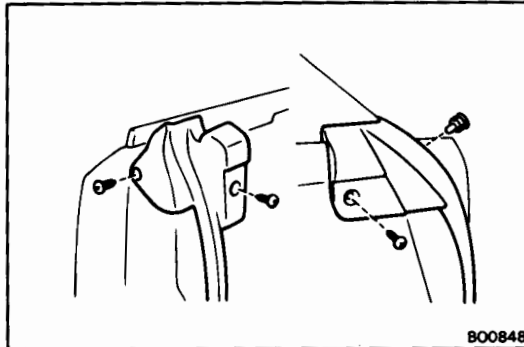
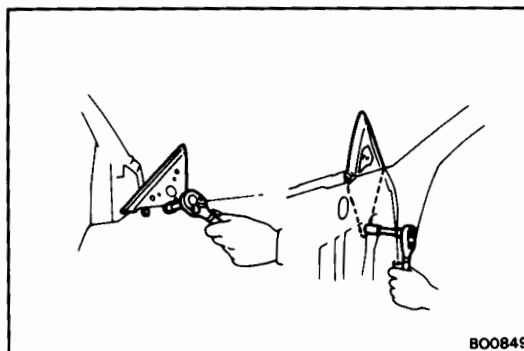
B00853

**6. REMOVE INSIDE HANDLE**

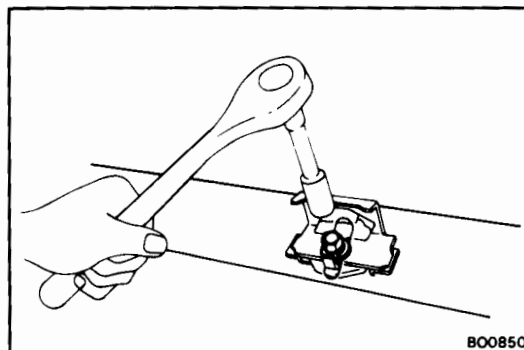
- (a) Remove the three screws.
- (b) Disconnect the inside handle links from the door lock.

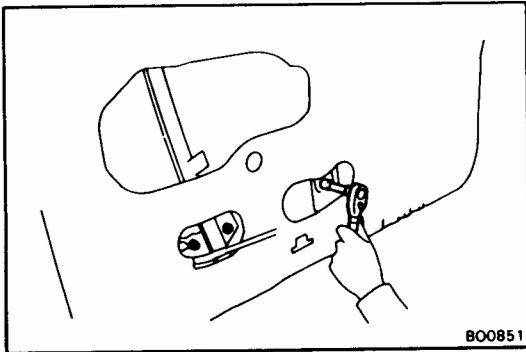
**7. REMOVE DOOR TRIM NO. 1 BRAKET****8. REMOVE SERVICE HOLE COVER****9. REMOVE REAR VIEW MIRROR**

- (a) Disconnect the connector. (w/ Remote control mirror)
- (b) Remove the three screws and rear view mirror.

**10. REMOVE DOOR WEATHERSTRIP****11. REMOVE BELT MOULDING**  
(See page BO-20)**12. REMOVE FRONT LOWER FRAME**

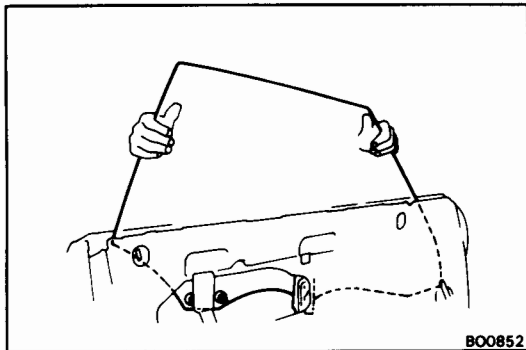
Remove the nut and two bolts.

**13. REMOVE TWO DOOR TRIM SUPPORTS****14. REMOVE TWO DOOR GLASS STOPPERS**

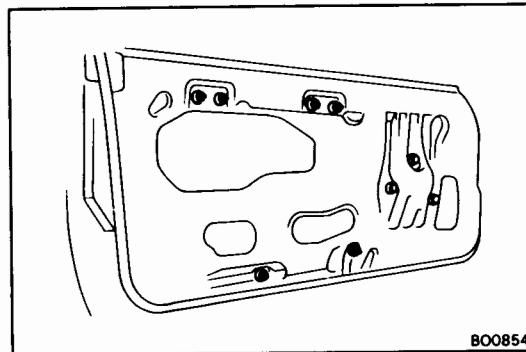


### 15. REMOVE DOOR GLASS

- (a) Remove the two nuts and bolt while holding the door glass.

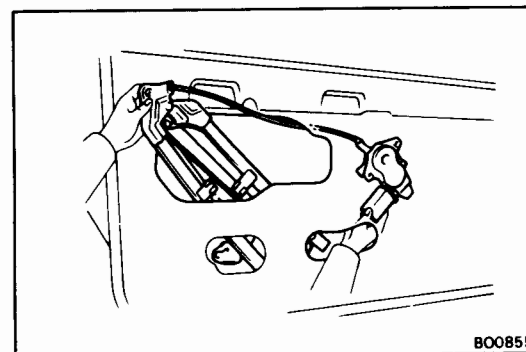


- (b) Remove the door glass by pulling it upward.



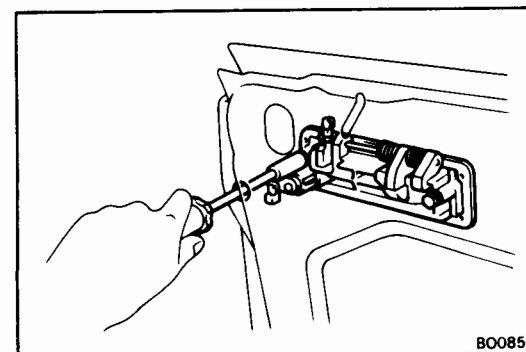
### 16. REMOVE WINDOW REGULATOR

- (a) Disconnect the motor connector. (w/ Power window)  
 (b) Disconnect the regulator wire from the two clamps.  
 (c) Remove the six nuts and three bolts.



- (d) Remove the regulator through the service hole.

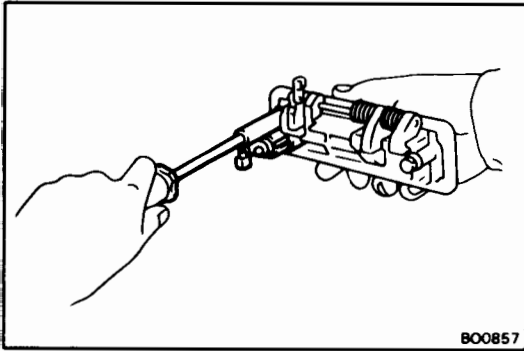
**CAUTION:** Be careful not to twist or damage the regulator wire.



### 17. REMOVE OUTSIDE HANDLE WITH DOOR LOCK CYLINDER

- (a) Disconnect the links from the outside handle and door lock cylinder.  
 (b) Remove the two bolts and outside handle with the door lock cylinder.

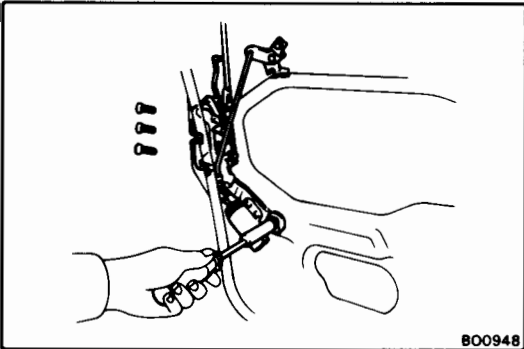




BO0857

**18. REMOVE DOOR LOCK CYLINDER**

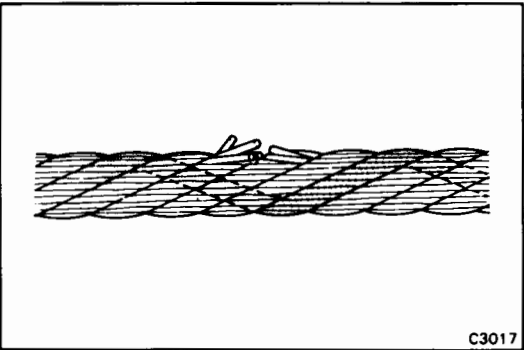
Remove the bolt and door lock cylinder from the outside handle.



BO0948

**19. REMOVE DOOR LOCK**

- (a) Disconnect the connectors from the door lock solenoid and door lock key switch. (w/ Power door lock)
- (b) Remove the two bolts and three screws. (w/ Power door lock)
- (c) Remove the bolt and three screws. (w/o Power door lock)
- (d) Pull out the door lock with door lock solenoid. (w/ Power door lock)
- (e) Pull out the door lock. (w/o Power door lock)

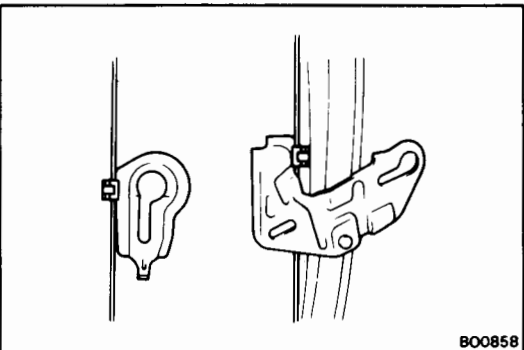


C3017

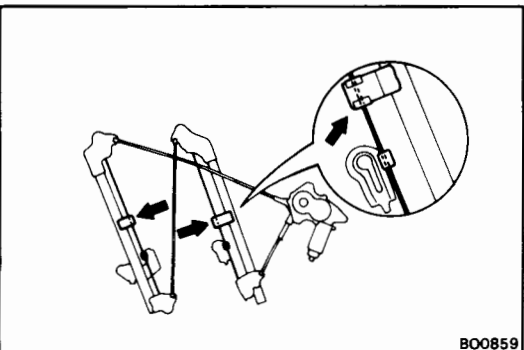
**INSPECTION OF WINDOW REGULATOR**

**INSPECT WINDOW REGULATOR**

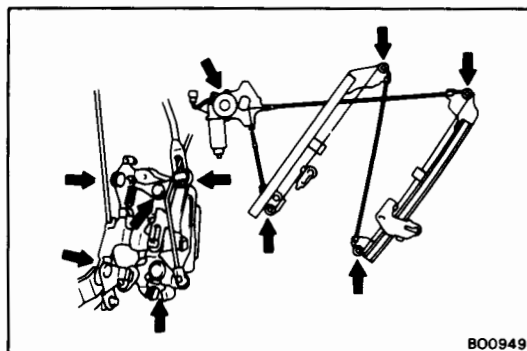
- (a) Check the regulator wire for wear or damage.
- (b) Check the pulley or drum for wear or damage.
- (c) Check the wire end-clip for damage.
- (d) Check the bracket hook for wear or damage.
- (e) Check that the wire is in the correct position as in the illustration.



BO0858



BO0859

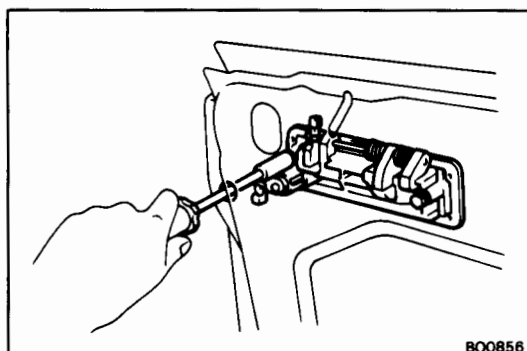


## ASSEMBLY OF FRONT DOOR

(See page BO-5)

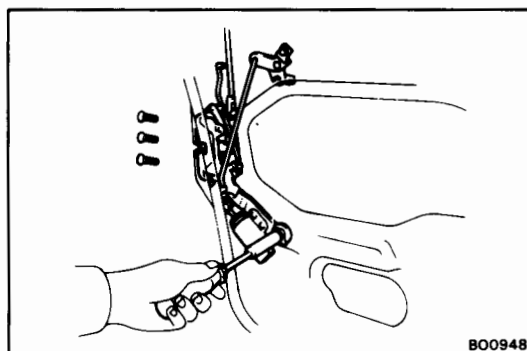
### 1. BEFORE INSTALLING PARTS, APPLY MP GREASE TO THEM

- (a) Apply MP grease to the sliding surface of the window regulator.
- (b) Apply MP grease to the sliding surface of the door lock.



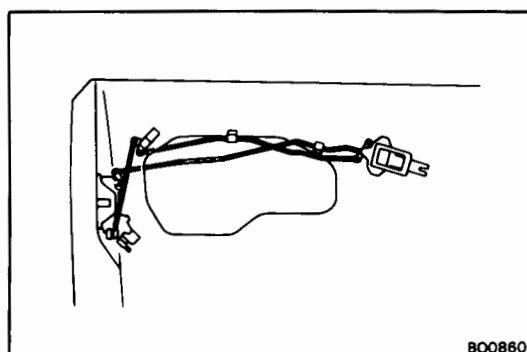
### 2. INSTALL OUTSIDE HANDLE

- (a) Install the door lock cylinder to the outside handle.
- (b) Install the outside handle with the two bolts.



### 3. INSTALL DOOR LOCK

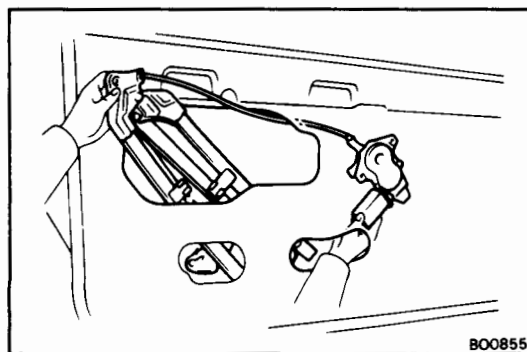
- (a) Install the door lock with the three screws and two bolts. (w/ Power door lock)
- (b) Install the door lock with the bolt and three screws. (w/o Power door lock)
- (c) Connect the connectors to the door lock solenoid and door lock key switch. (w/ Power door lock)
- (d) Connect the links to the outside handle and door lock cylinder.



### 4. INSTALL INSIDE HANDLE

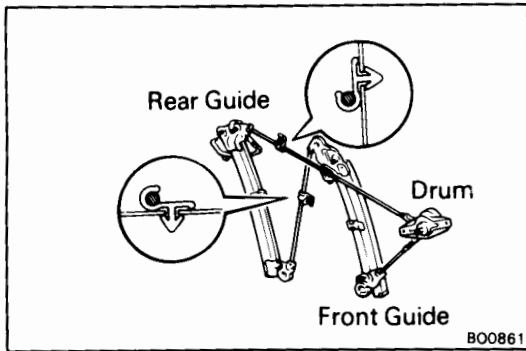
- (a) Install the inside handle with the three screws.
- (b) Connect the links to the door lock.

### 5. CHECK DOOR LOCK OPERATION



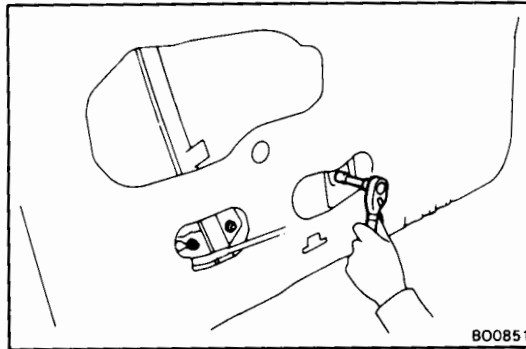
### 6. INSTALL WINDOW REGULATOR

- (a) Place the window regulator through the service hole.
- (b) Install the six nuts and three bolts.



**CAUTION:** Stretch the wire between the drum and rear guide top edge through the front guide and door inside panel.

- (c) Clamp the wire to the two clamps.
- (d) Connect the connector to the motor. (w/ Power window)



**7. INSTALL DOOR GLASS**

- (a) Insert the glass in the door cavity.
- (b) Install the glass with two nuts and bolt to the brackets.

**8. INSTALL TWO DOOR GLASS STOPPERS**

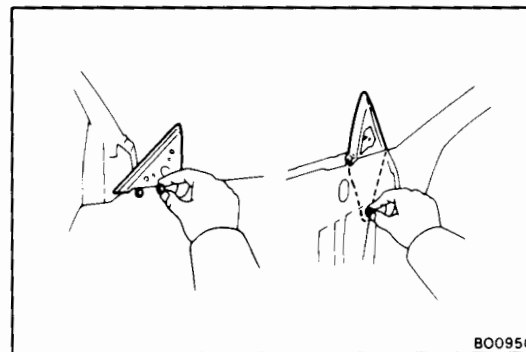
Finger tighten the two bolts.

**9. INSTALL TWO DOOR TRIM SUPPORTS**

Finger tighten the two bolts.

**10. (w/ Power Window)  
INSTALL POWER WINDOW RELAY**

- (a) Connect the connector to the relay.
- (b) Install the relay with two screws.

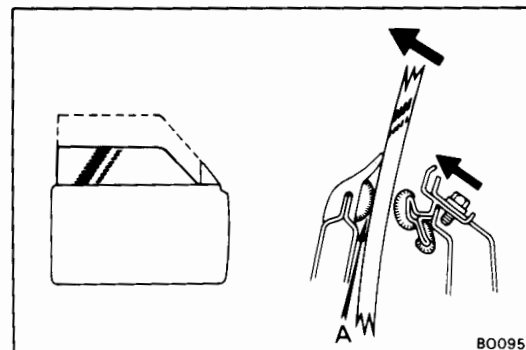


**11. INSTALL FRONT LOWER FRAME**

Finger tighten the nut and two bolts.

**12. INSTALL BELT MOULDING  
(See page BO-22)**

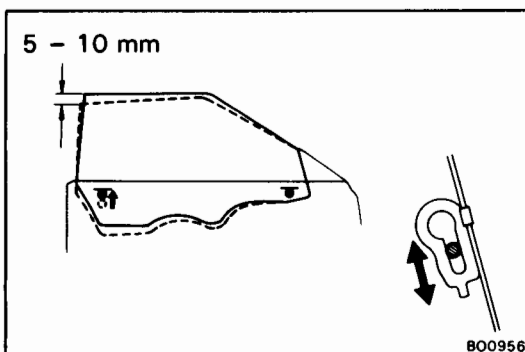
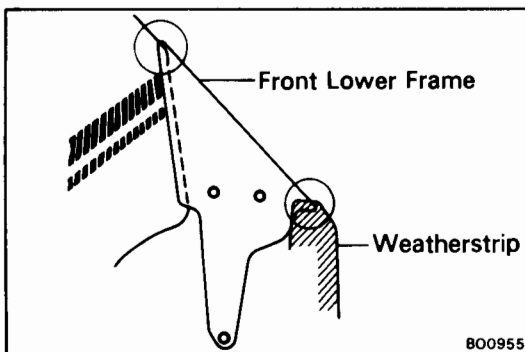
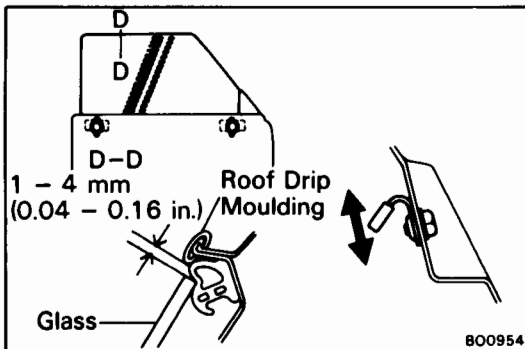
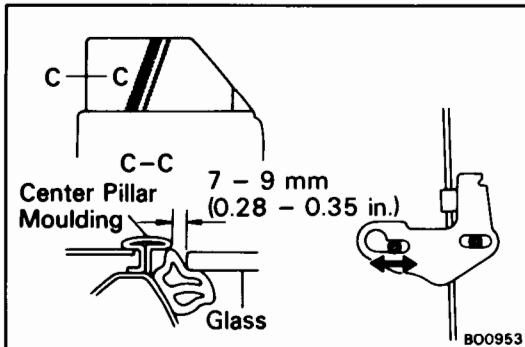
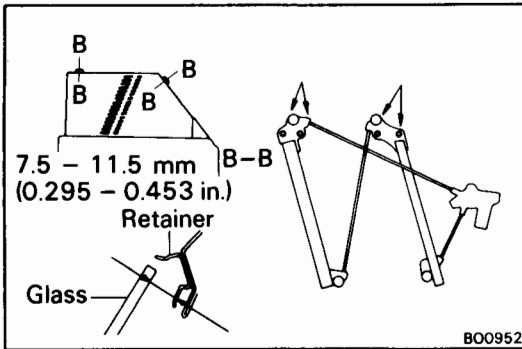
**13. INSTALL DOOR WEATHERSTRIP**



**14. ADJUST DOOR TRIM SUPPORT**

- (a) Raise up the door glass to the middle.
- (b) Push the door glass lightly to the belt moulding, and push the door trim support lightly to the glass.
- (c) Tighten the door trim support bolt.
- (d) Check that there is a slight gap at "A".

**CAUTION:** Be careful not to push the door trim support too much.



## 15. ADJUST DOOR GLASS

- (a) Close the door glass.
- (b) Remove the roof side weatherstrip and inner clips.
- (c) Check that the gap between the glass and the weatherstrip retainer is as specified.

If the gap is not as specified, turn the stud bolts of the window regulator.

**NOTE:** Turn both stud bolts of each regulator guide an equal amount.

- (d) Install the inner clips and roof side weatherstrip.
- (e) Check that the gap between the glass and the center pillar moulding is as specified.

If the gap is not as specified, move the glass back and forth.

- (f) Check that the gap between the glass and the roof drip moulding is as specified.

If the gap is not as specified, move the door glass stopper.

- (g) Check that there is no gap between the glass and front lower frame, and check that there is no gap between the front lower frame and weatherstrip.

If there is a gap, adjust by moving the front lower frame.

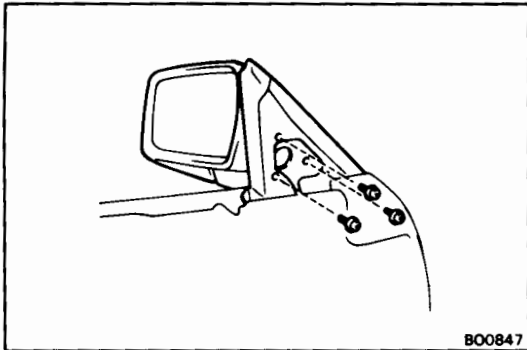
- (h) When closing the window, check that the front side stops first and that the rear side rises an additional 5 - 10 mm (0.20 - 0.39 in.) before closing.

If it is not correct, adjust by moving the glass.

**16. CHECK DOOR GLASS**

- (a) Check that the door trim support does not push the door glass too much.
- (b) When the glass is closed, check that the weatherstrip is not rolled up.
- (c) Check that the glass movement is smooth.

If the above conditions are not met, readjust the glass.

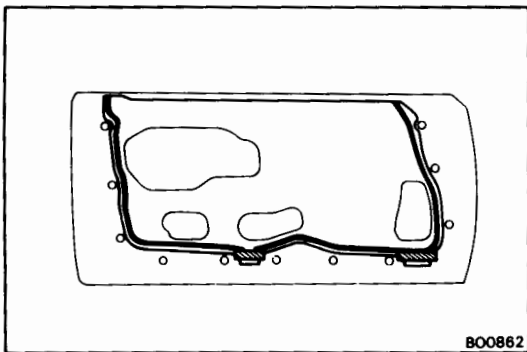


**17. INSTALL REAR VIEW MIRROR**

- (a) Install the rear view mirror with the three screws.
- (b) Connect the connector. (w/ Remote control mirror)

**18. REMOVE POWER WINDOW RELAY (w/ POWER WINDOW)**

- (a) Remove the two screws.
- (b) Disconnect the connector from the relay.



**19. INSTALL SERVICE HOLE COVER**

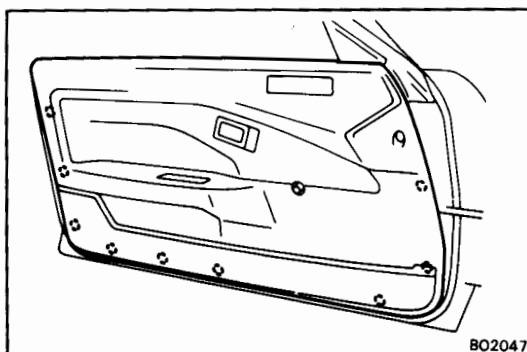
- (a) Install the service hole cover with adhesive.
- (b) Insert the lower edge of the cover into the panel slit.
- (c) Seal the panel slit with cotton tape.

**CAUTION:** Do not block the trim clip seating with the tape.

**20. INSTALL DOOR TRIM NO. 1 BRAKET**

**21. INSTALL POWER WINDOW RELAY (w/ POWER WINDOW)**

- (a) Connect the connector to the relay.
- (b) Install the relay with two screws.



**22. INSTALL DOOR TRIM**

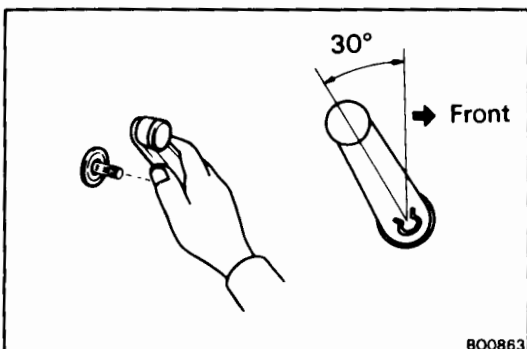
- (a) Connect the connector. (w/ Power window)
- (b) Install the door trim with clips to the inside door panel by tapping.
- (c) Install the four screws and cap.
- (d) Install the inside pull handle with the two screws.

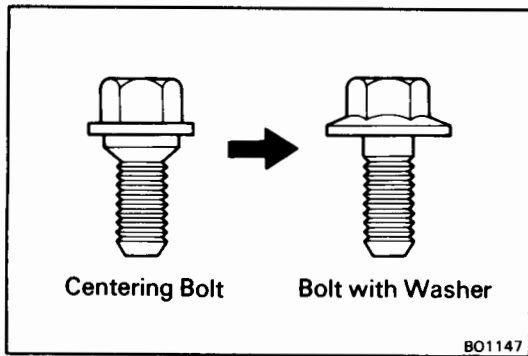
**23. INSTALL REAR VIEW MIRROR COVER**

**24. INSTALL INSIDE HANDLE BEZEL**

**25. INSTALL WINDOW REGULATOR HANDLE**

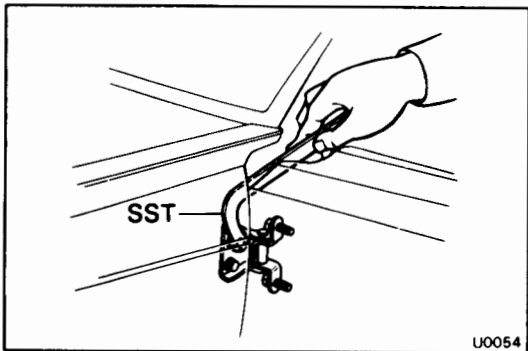
With door glass fully closed, install the plate and window regulator handle with a snap ring as shown.





## ADJUSTMENT OF FRONT DOOR

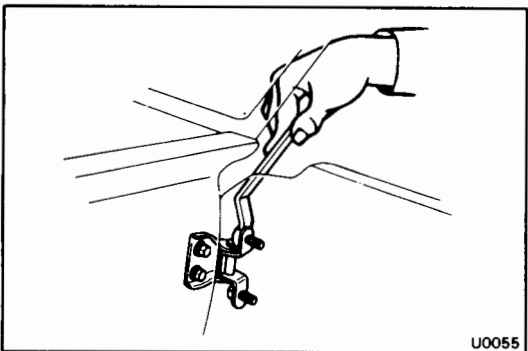
**NOTE:** Since the centering bolt is used as the door hinge set bolt, the door can not be adjusted with it on. Substitute the bolt with washer for the centering bolt.



### 1. ADJUST DOOR IN FORWARD/REARWARD AND VERTICAL DIRECTIONS

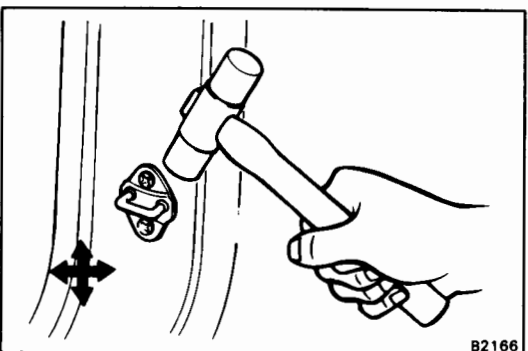
Using SST, adjust the door by loosening the body side hinge bolts.

SST 09812-00010



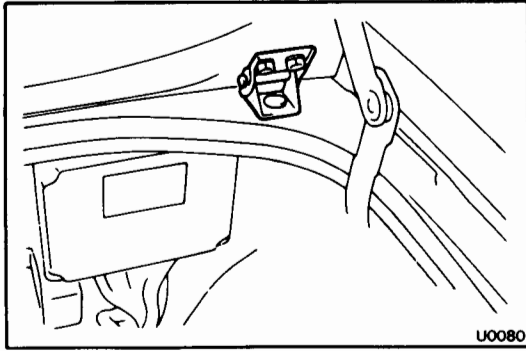
### 2. ADJUST DOOR IN LEFT/RIGHT AND VERTICAL DIRECTIONS

Adjust the door by loosening the door side hinge bolts.



### 3. ADJUST DOOR LOCK STRIKER

- (a) Check that the door fit and door lock linkages are adjusted correctly.
- (b) Adjust the striker by loosening the mounting screws.

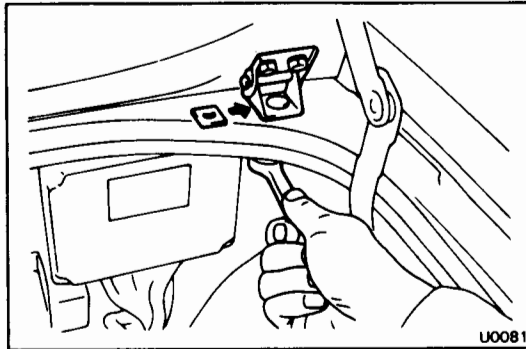


## LUGGAGE COMPARTMENT LID

### ADJUSTMENT OF LUGGAGE COMPARTMENT LID

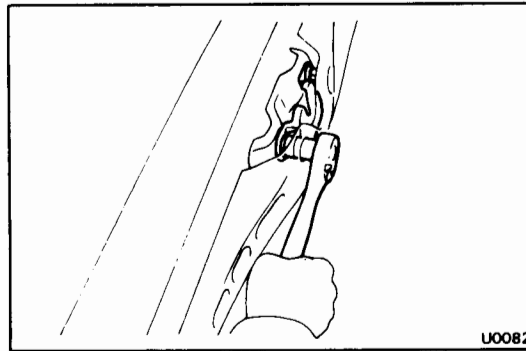
1. **ADJUST LUGGAGE COMPARTMENT LID IN FORWARD/REARWARD AND LEFT/RIGHT DIRECTIONS**

Adjust the lid by loosening the hinge bolts and nut.



2. **ADJUST FRONT EDGE OF LUGGAGE COMPARTMENT LID IN VERTICAL DIRECTION**

Adjust the lid by increasing or decreasing the number of the shims.



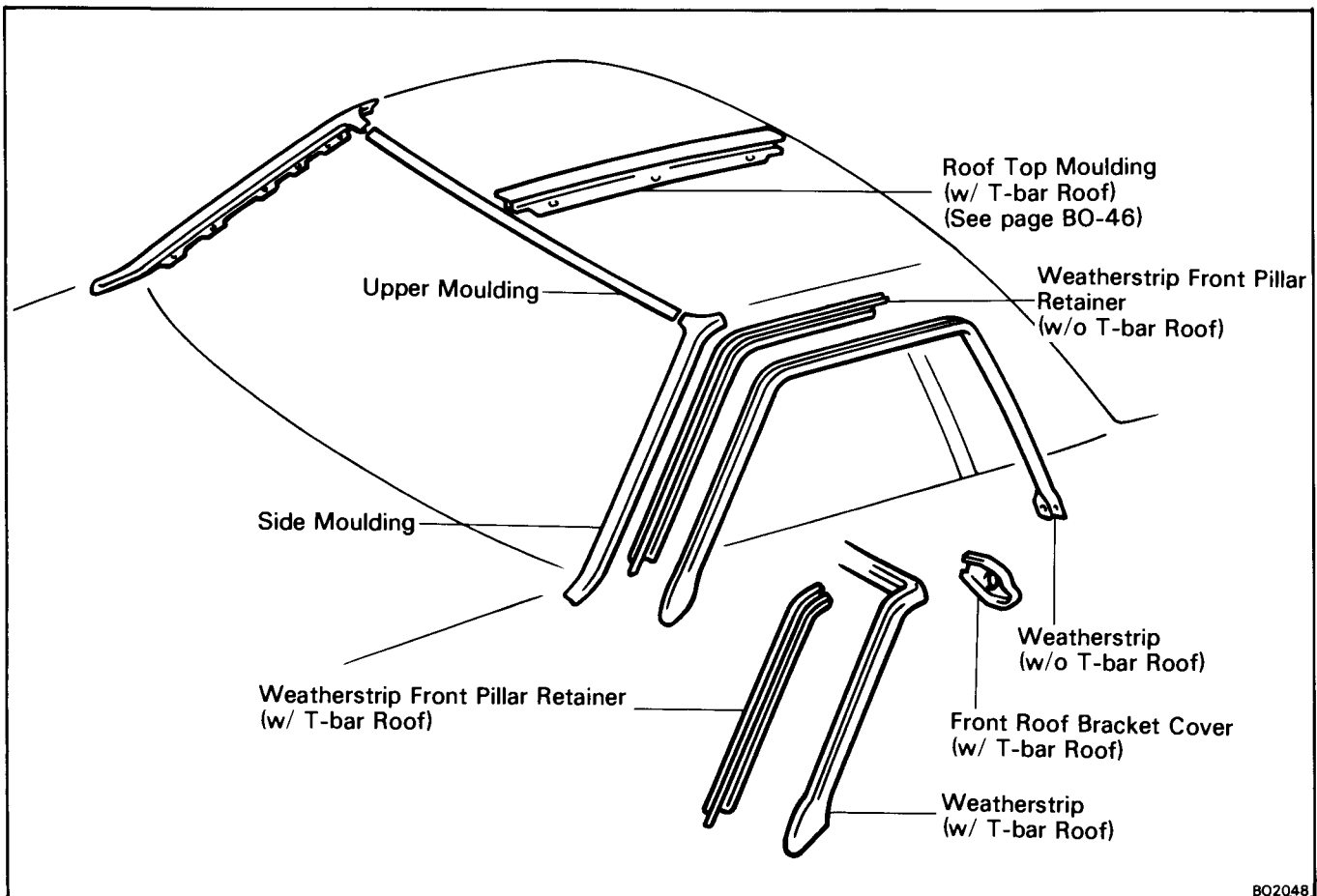
3. **ADJUST LOCK**

Adjust the lock by loosening the mounting bolts.

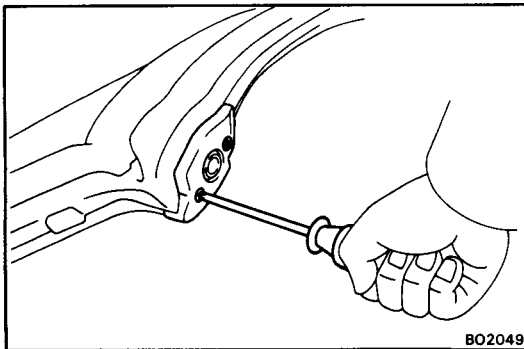
# MOULDING

## Windshield Outside Moulding

### COMPONENTS



BO2048

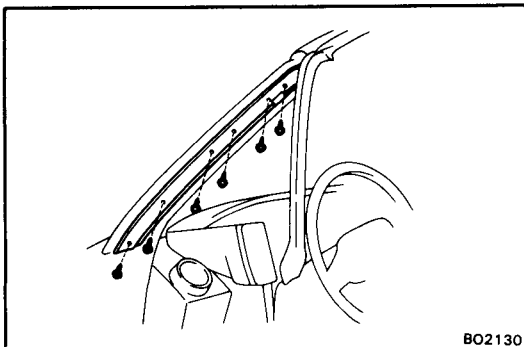


BO2049

## REMOVAL OF WINDSHIELD MOULDING

### 1. REMOVE FRONT ROOF BRACKET COVER (w/ T-BAR ROOF)

Remove the two screws and front roof bracket cover.

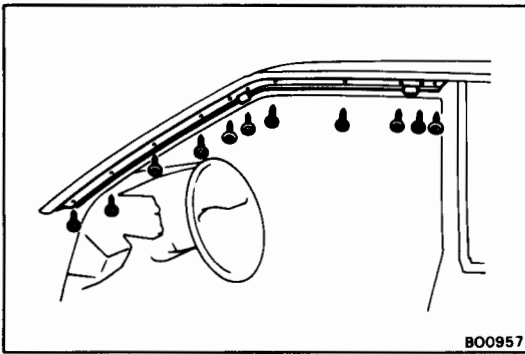


BO2130

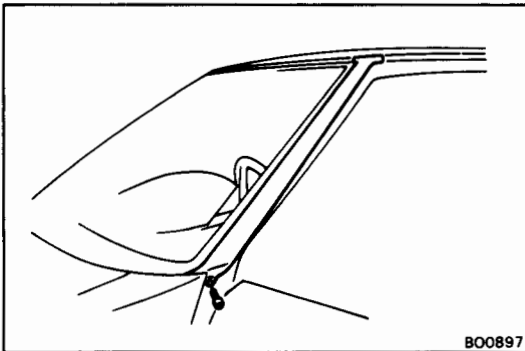
### 2. REMOVE WEATHERSTRIP FRONT PILLAR RETAINER (w/ T-BAR ROOF)

- (a) Disconnect the weatherstrip from the weatherstrip front pillar retainer.
- (b) Remove the weatherstrip front pillar retainer and inner clips.

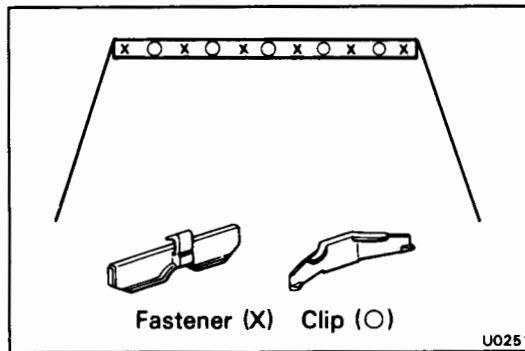




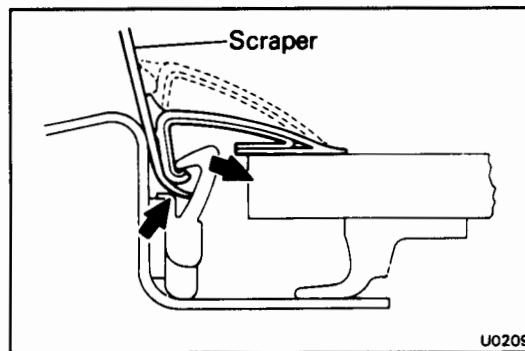
- 3. REMOVE WEATHERSTRIP FRONT PILLAR RETAINER (w/o T-BAR ROOF)**
- (a) Remove the weatherstrip.
  - (b) Remove the weatherstrip front pillar retainer and inner clips.



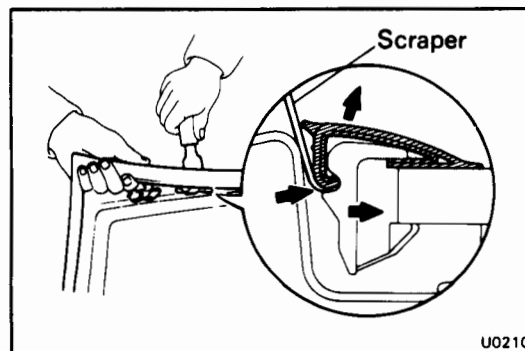
- 4. REMOVE SIDE MOULDING**
- Remove the screw and side moulding.



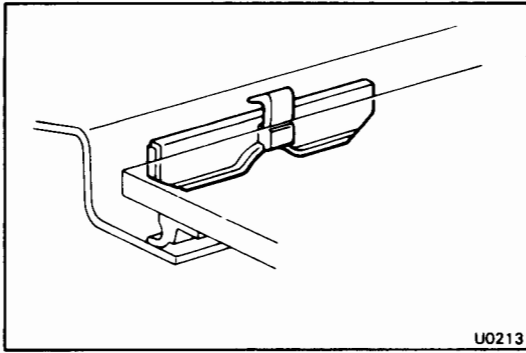
- 5. REMOVE UPPER MOULDING**
- (a) Carefully apply adhesive tape to protect the body.
- NOTE:** Locations of the clips and fasteners are as shown in the figure.



- (b) Insert the tip of a scraper between the body and moulding.
- (c) Pry the moulding loose from the claws of the clips and fasteners.



- (d) Remove the moulding from the clips.



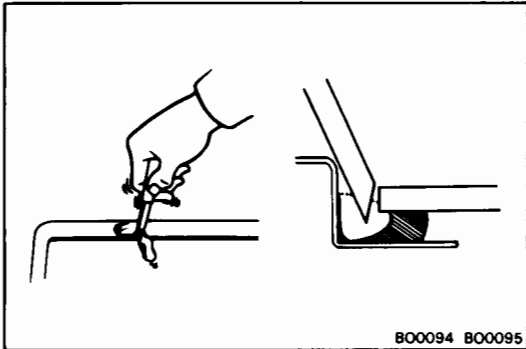
## REPLACEMENT OF FASTENER AND CLIP

### 1. REPLACE FASTENER

- (a) Remove the damaged fastener.
- (b) Cut off the old adhesive around the fastener installation area.

NOTE: Be careful not to damage the body.

- (c) Clean the installation area.
- (d) Install a new fastener onto the body.



### 2. REPLACE CLIP

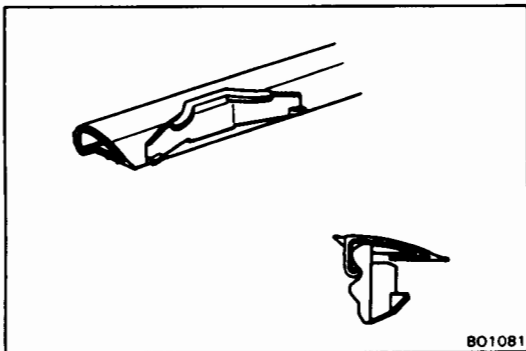
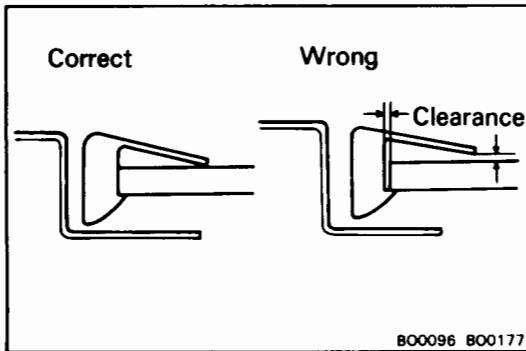
- (a) Remove the damaged clip.
- (b) Cut off the old adhesive around the clip installation area.

NOTE: Be careful not to damage the body.

- (c) Grind a notch into the clip so it latches onto the glass edge.

- (d) Temporarily install the clip and confirm that its tip is not sunk below the surface of the glass.

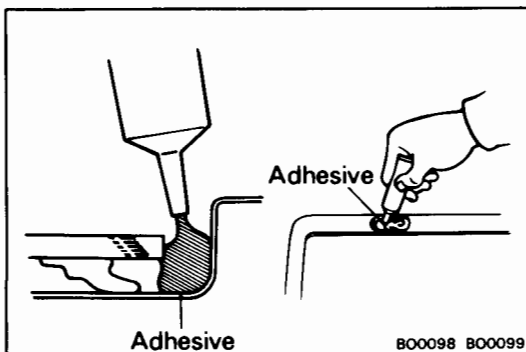
If the tip of the clip is sunk below the surface of the glass, replace it.

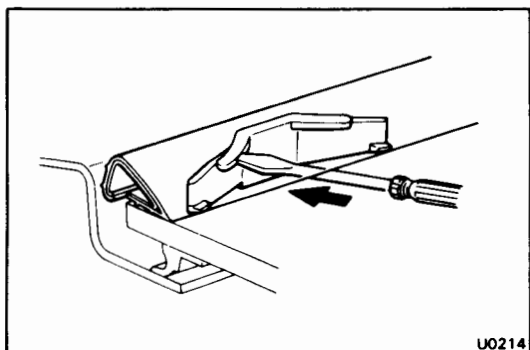


## INSTALLATION OF WINDSHIELD MOULDING

### 1. INSTALL NEW CLIP INTO UPPER MOULDING

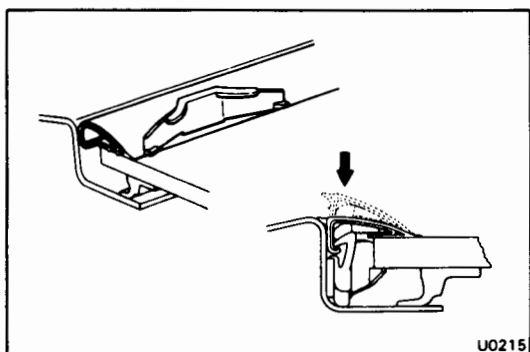
### 2. APPLY ADHESIVE AT A NEW CLIP INSTALLATION AREA



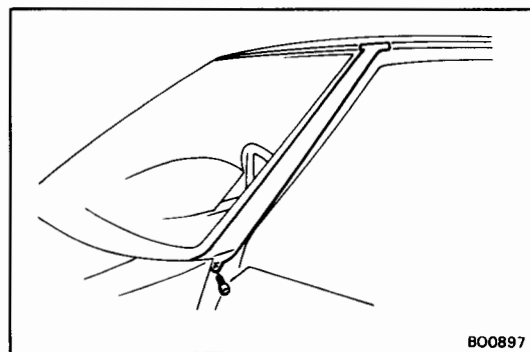


**3. INSTALL UPPER MOULDING**

- (a) Place the moulding onto the body.
- (b) Pry up the clips on the body side and install to the moulding.

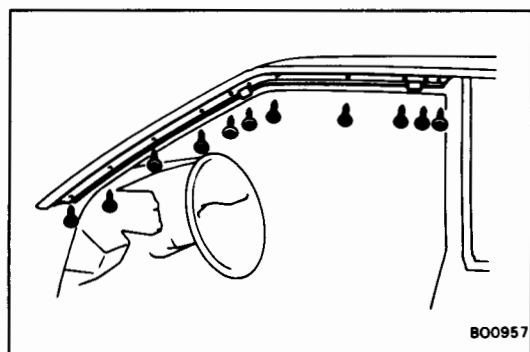


- (c) Tap the moulding with your hand to fasten the clips at the glass edge.  
At the same time, install the fasteners by tapping them by hand.



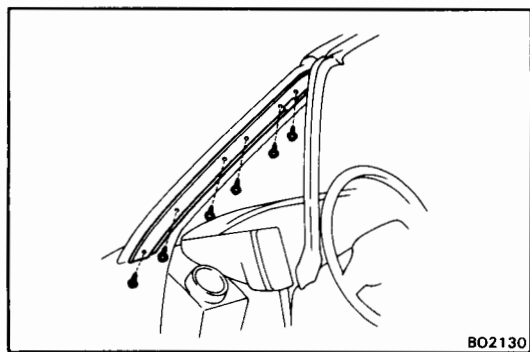
**4. INSTALL SIDE MOULDING**

Install the screw and side moulding.



**5. INSTALL WEATHERSTRIP FRONT PILLAR RETAINER (w/o T-BAR ROOF)**

- (a) Install the weatherstrip front pillar retainer and inner clip.
- (b) Install the weatherstrip.

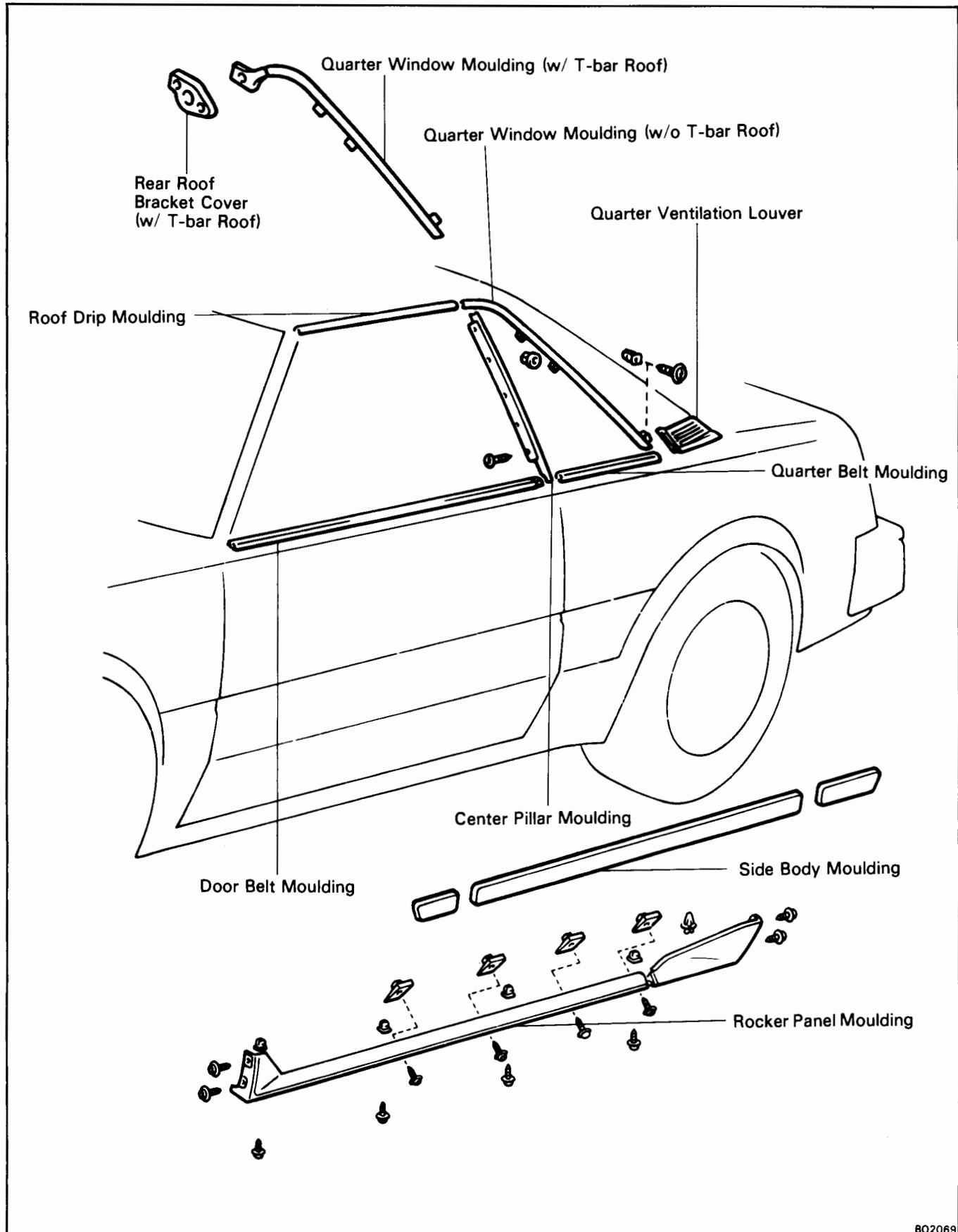


**6. INSTALL WEATHERSTRIP FRONT PILLAR RETAINER (w/ T-BAR ROOF)**

- (a) Install the weatherstrip front pillar retainer and inner clip.
- (b) Connect the weatherstrip to the front weatherstrip retainer.

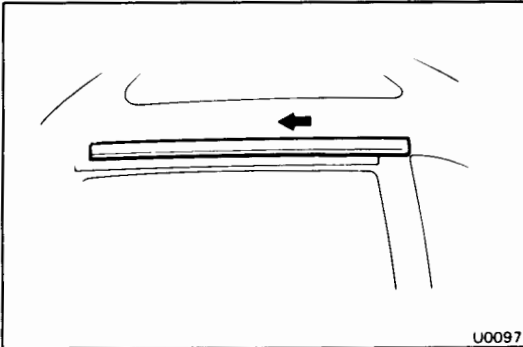
**7. INSTALL FRONT ROOF BRACKET COVER (w/ T-BAR ROOF)**

# Side Moulding COMPONENTS



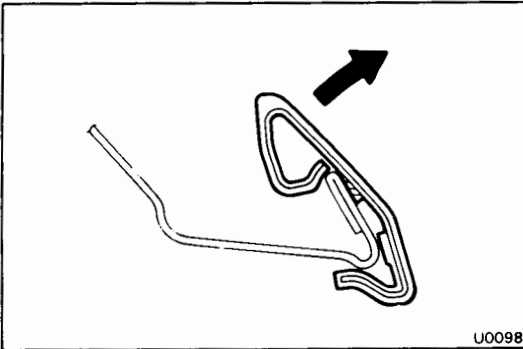
## REMOVAL OF ROOF DRIP MOULDING

1. REMOVE WINDSHIELD SIDE MOULDING  
(See page BO-17)

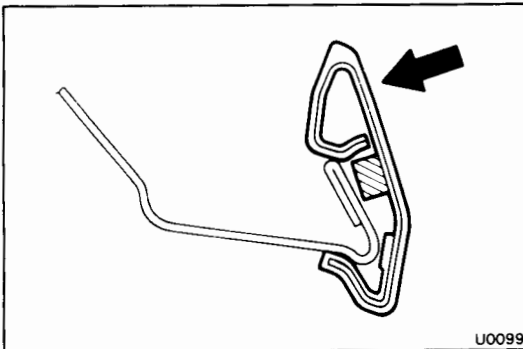


2. REMOVE ROOF DRIP MOULDING

(a) Slide the moulding forward.



(b) Pull the moulding off from the end.

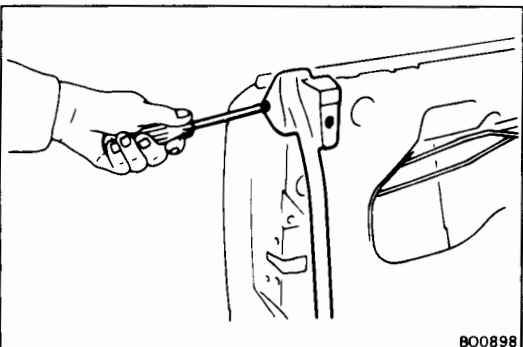


## INSTALLATION OF ROOF DRIP MOULDING

1. INSTALL ROOF DRIP MOULDING

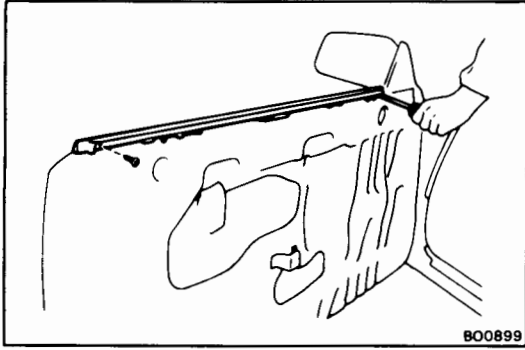
Attach the lower edge of the moulding to the body flange, and tap on by hand.

2. INSTALL WINDSHIELD SIDE MOULDING  
(See page BO-18)



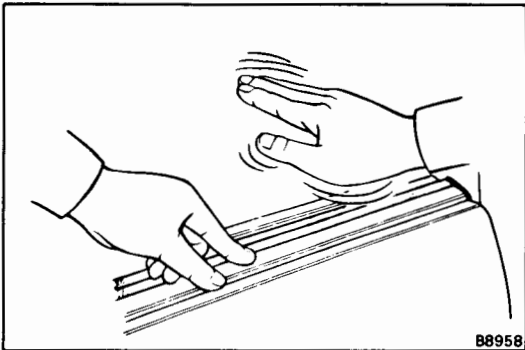
## REMOVAL OF DOOR BELT MOULDING

1. REMOVE DOOR TRIM  
(See page BO-6)
2. REMOVE DOOR WEATHERSTRIP



### 3. REMOVE DOOR BELT MOULDING

- (a) Remove the two screws.
- (b) Pull the moulding off from the door.



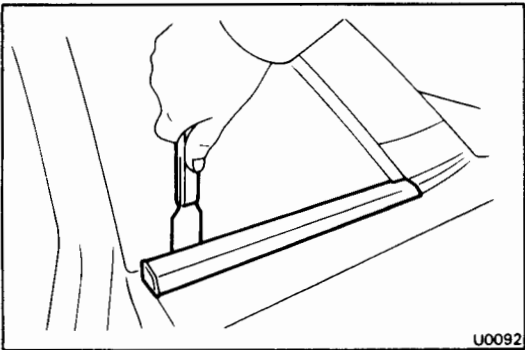
### INSTALLATION OF DOOR BELT MOULDING

#### 1. INSTALL BELT MOULDING

- (a) Tap the moulding onto the door by hand.
- (b) Install the two screws.

#### 2. INSTALL DOOR WEATHERSTRIP

#### 3. INSTALL DOOR TRIM

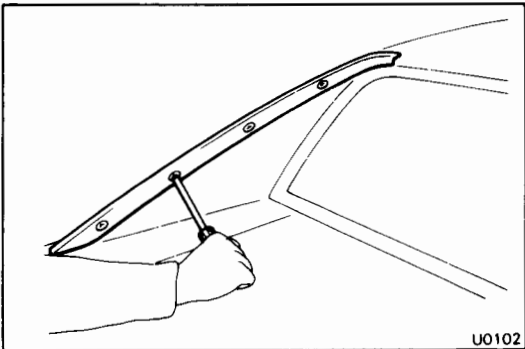


### REMOVAL OF QUARTER WINDOW MOULDING

#### 1. REMOVE QUARTER BELT MOULDING

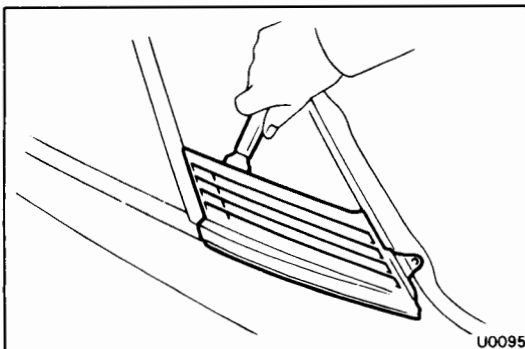
Using a scraper, remove the moulding.

NOTE: Apply tape to the scraper blade to prevent scratching the vehicle body.



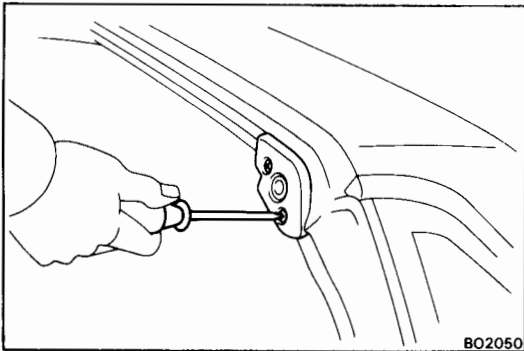
#### 2. REMOVE QUARTER OUTSIDE MOULDING

Remove the four screws and the moulding.



#### 3. REMOVE QUARTER VENTILATION LOUVER

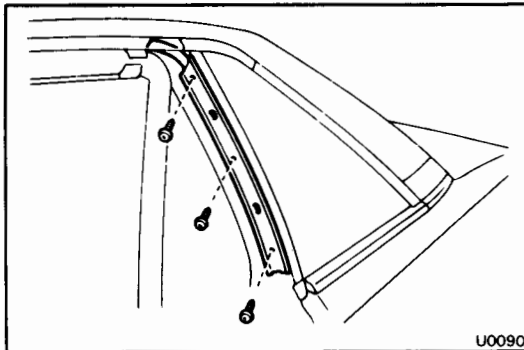
Using a scraper, remove the louver.



**4. REMOVE REAR ROOF BRACKET COVER (w/ T-BAR ROOF)**

Remove the two screws and roof bracket cover.

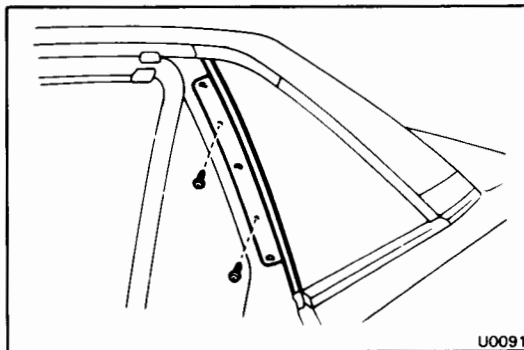
**5. REMOVE REAR ROOF BRACKET MOUNTING NUT (w/ T-BAR ROOF)**



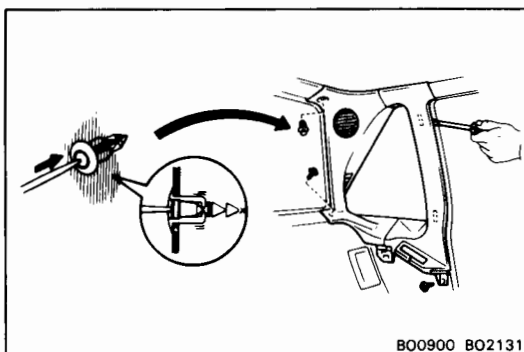
**6. REMOVE CENTER PILLAR MOULDING**

(a) Remove the weatherstrip.

(b) Remove the three screws and weatherstrip retainer.



(c) Remove the two screws and center pillar moulding.



**7. REMOVE ROOF SIDE INNER GARNISH**

(a) Remove the two screws and quarter trim.

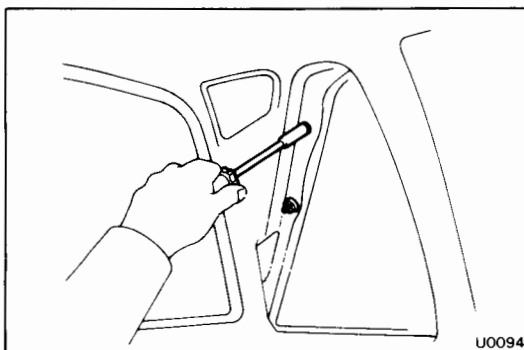
(b) Remove the seat belt shoulder anchor.

(c) Remove the two screws.

(d) Push in the center of the clip and remove it.

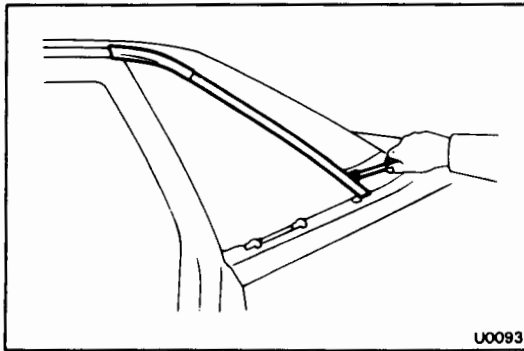
(e) Using a screwdriver, pry out the clips.

(f) Remove the roof side inner garnish.

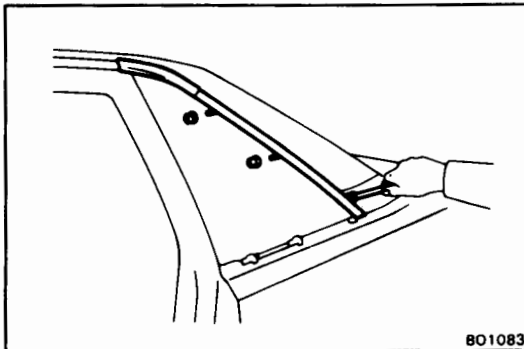


**8. REMOVE QUARTER WINDOW MOULDING**

(a) Remove the two nuts.

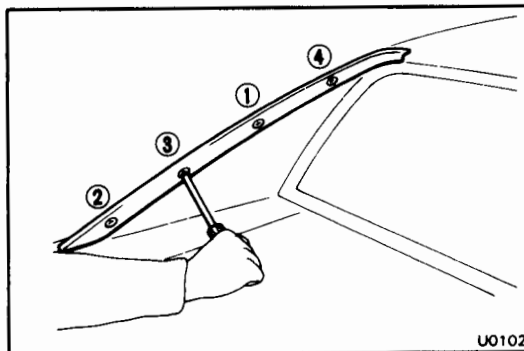


(b) Remove the screw and the moulding.

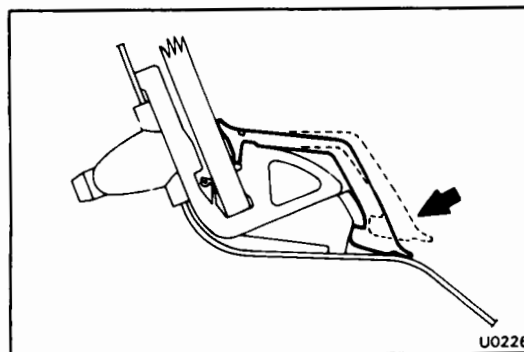


## INSTALLATION OF QUARTER WINDOW MOULDING

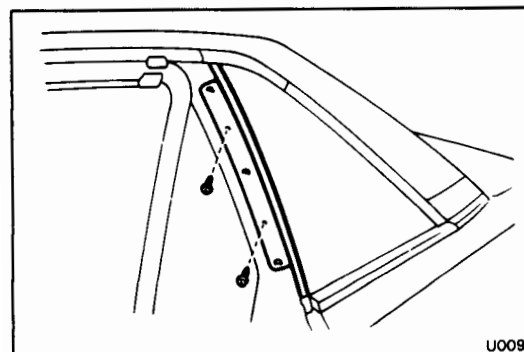
1. **INSTALL QUARTER WINDOW MOULDING**  
Install the moulding with the two nuts and screw.
2. **INSTALL QUARTER VENTILATION LOUVER**



3. **INSTALL QUARTER OUTSIDE MOULDING**
  - (a) Install the quarter outside moulding.
  - (b) Tighten the four screws in order as shown in the figure.

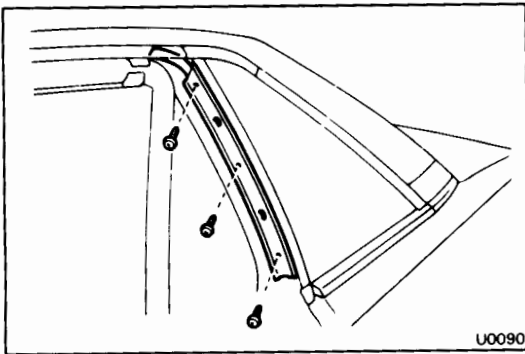


4. **INSTALL QUARTER BELT MOULDING**  
Tap the moulding in by hand.



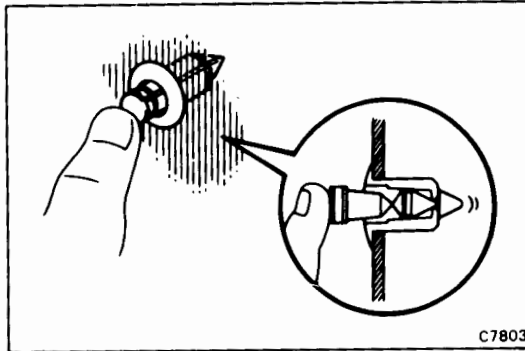
5. **INSTALL CENTER PILLAR MOULDING**
  - (a) Install the center pillar moulding with the two screws.





- (b) Install the weatherstrip retainer with the three screws.
- (c) Install the weatherstrip.

#### 6. INSTALL REAR ROOF BRACKET MOUNTING NUT (w/ T-BAR ROOF)



#### 7. INSTALL ROOF SIDE INNER GARNISH

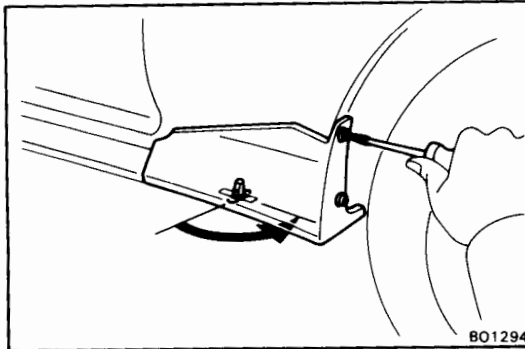
- (a) Install the roof side garnish with the two screws and clip.

NOTE: To reinstall the clip, pull its center out to the second "waist". Then insert the clip into the hole and press in the center.

- (b) Install the quarter trim with the two screws.

#### 8. INSTALL SEAT BELT SHOULDER ANCHOR

#### 9. INSTALL REAR ROOF BRACKET COVER (w/ T-BAR ROOF)



### REMOVAL OF ROCKER PANEL MOULDING

#### 1. REMOVE FRONT MOULDING

Remove the ten screws and moulding.

#### 2. REMOVE REAR MOULDING

- (a) Remove the clip from the moulding.
- (b) Remove the two screws and moulding.

### INSTALLATION OF ROCKER PANEL MOULDING

#### 1. INSTALL REAR MOULDING

- (a) Install the moulding with the two screws.
- (b) Install the clip to the moulding.

#### 2. INSTALL FRONT MOULDING

Install the moulding with the ten screws.

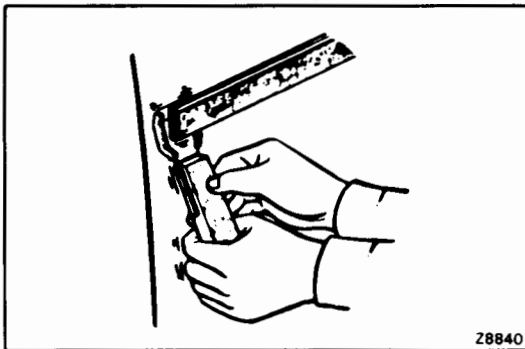
## Side Body Moulding

### TOOLS AND SUPPLIES

Part No.	Part name	Quantity
08850-00051	Adhesive (Super special) 20g (0.71 oz.)	1
	Cleaner (for cleaning body and removing body oil stains) Heat light	

#### Precautions for storing moulding material:

- Store in cool place, avoiding direct sunlight, high temperature and dust.
- The moulding is of polyvinyl chloride, so do not allow it to come in contact with thinner or other solvent, open flame, or boiling water.
- The storage time for the moulding adhesive is limited to about 9 months.

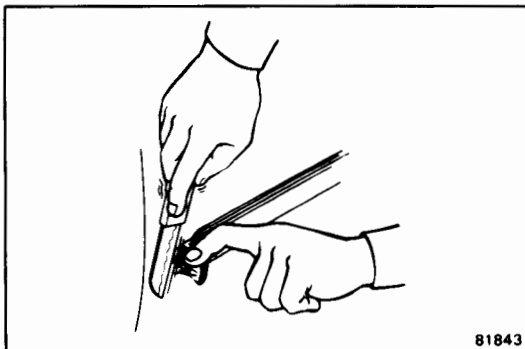


### REMOVAL OF SIDE BODY MOULDING

#### 1. REMOVE ENDS OF MOULDING

Using a scraper, pry the moulding loose about 20 mm (0.79 in.) from the ends.

**NOTE:** Apply tape to the scraper blade to prevent scratching the vehicle body.

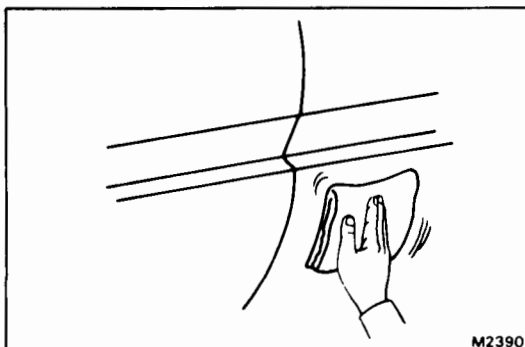


#### 2. REMOVE MOULDING AND ADHESIVE

- Pull off the moulding by cutting the adhesive with a knife.
- Scrape off adhesive from the body with a cutter or sandpaper.

#### **CAUTION:**

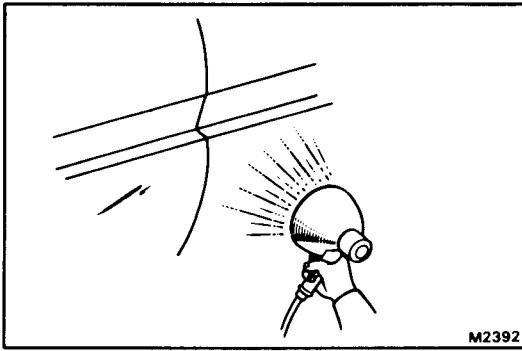
- 30 – 80 mm (1.18 – 3.15 in.) of the ends of the moulding are glued tightly with a strong adhesive.
- Do not reuse moulding.



### INSTALLATION OF SIDE BODY MOULDING

#### 1. CLEAN MOULDING MOUNTING SURFACES

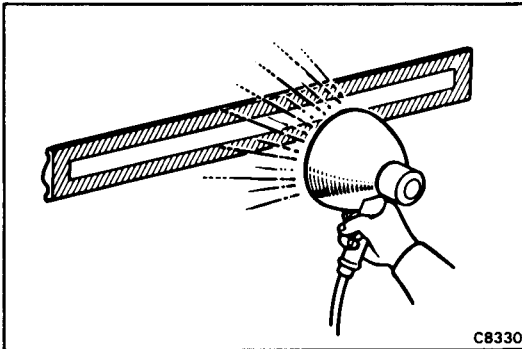
Wipe off stains with cleaner.



## 2. HEAT BODY MOUNTING SURFACE

Using a heat light, heat the body mounting surfaces to 40 – 60°C (104 – 140°F).

**CAUTION:** When the moulding is installed, the temperature of the mounting surface should be 20°C (68°F) or higher.



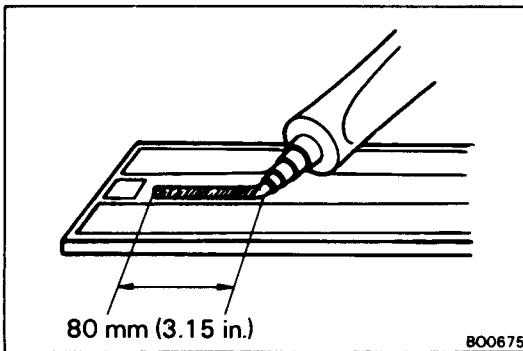
## 3. HEAT MOULDING

Using a heat light, heat the moulding to 30 – 60°C (86 – 140°F).

**CAUTION:** Do not heat the moulding excessively. The temperature should not be higher than 80°C (176°F).

## 4. LIFT MOULDING RELEASE SHEET FROM FACE OF MOULDING

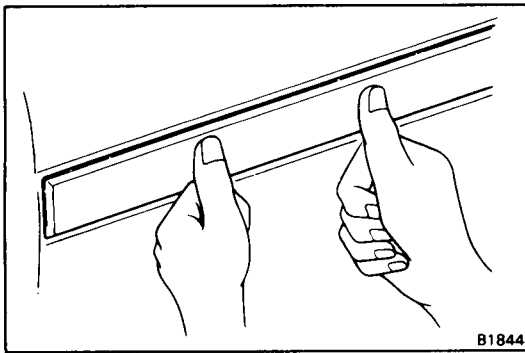
**CAUTION:** When the moulding release sheet is removed, be sure that no dirt or dust can get onto the uncovered area.



## 5. APPLY ADHESIVE TO MOULDING

Apply adhesive to both ends of the moulding as shown.

**CAUTION:** Install the moulding within 7 minutes after applying the adhesive.



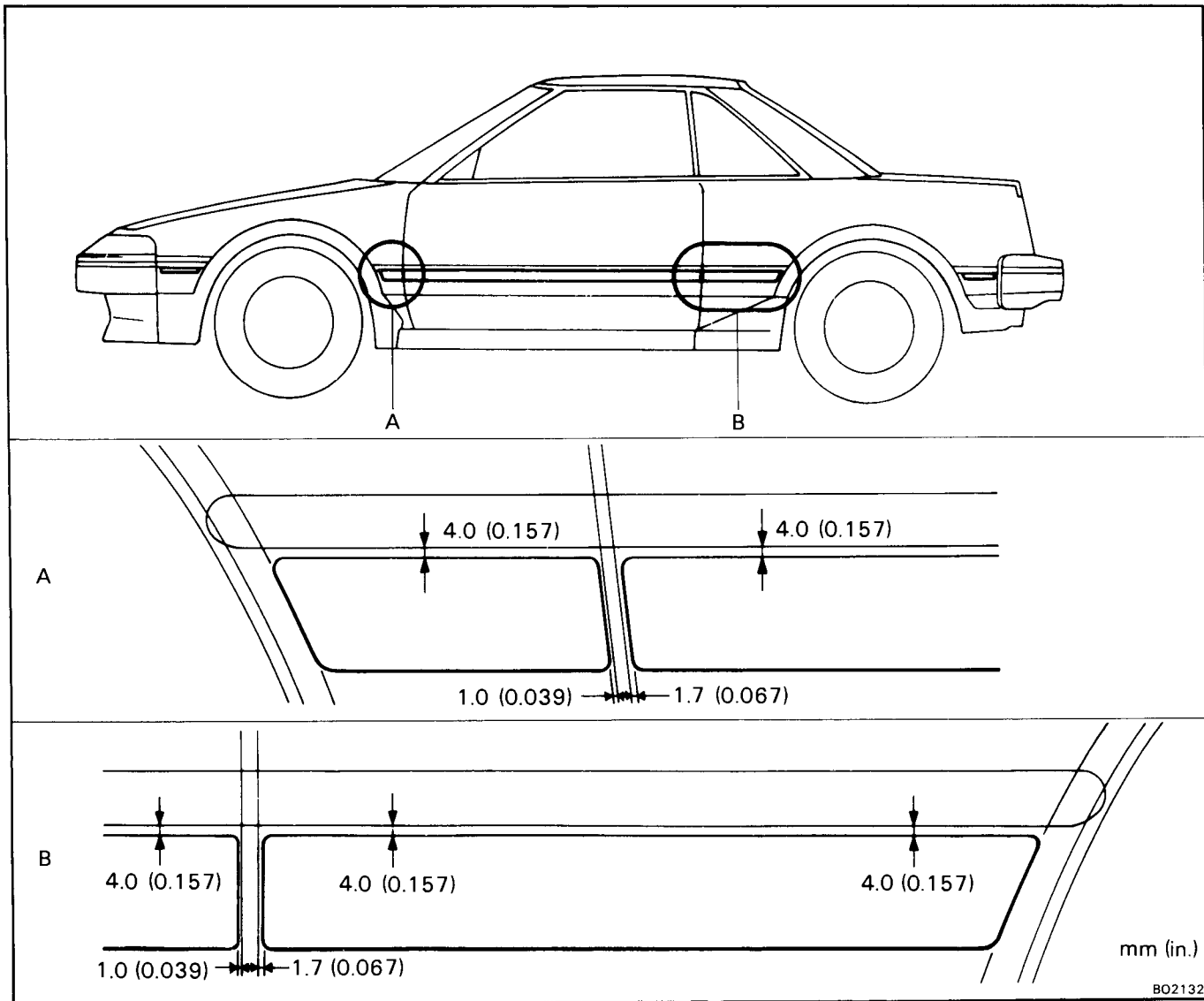
B1844

**6. INSTALL MOULDING ALONG BODY PRESS LINE**

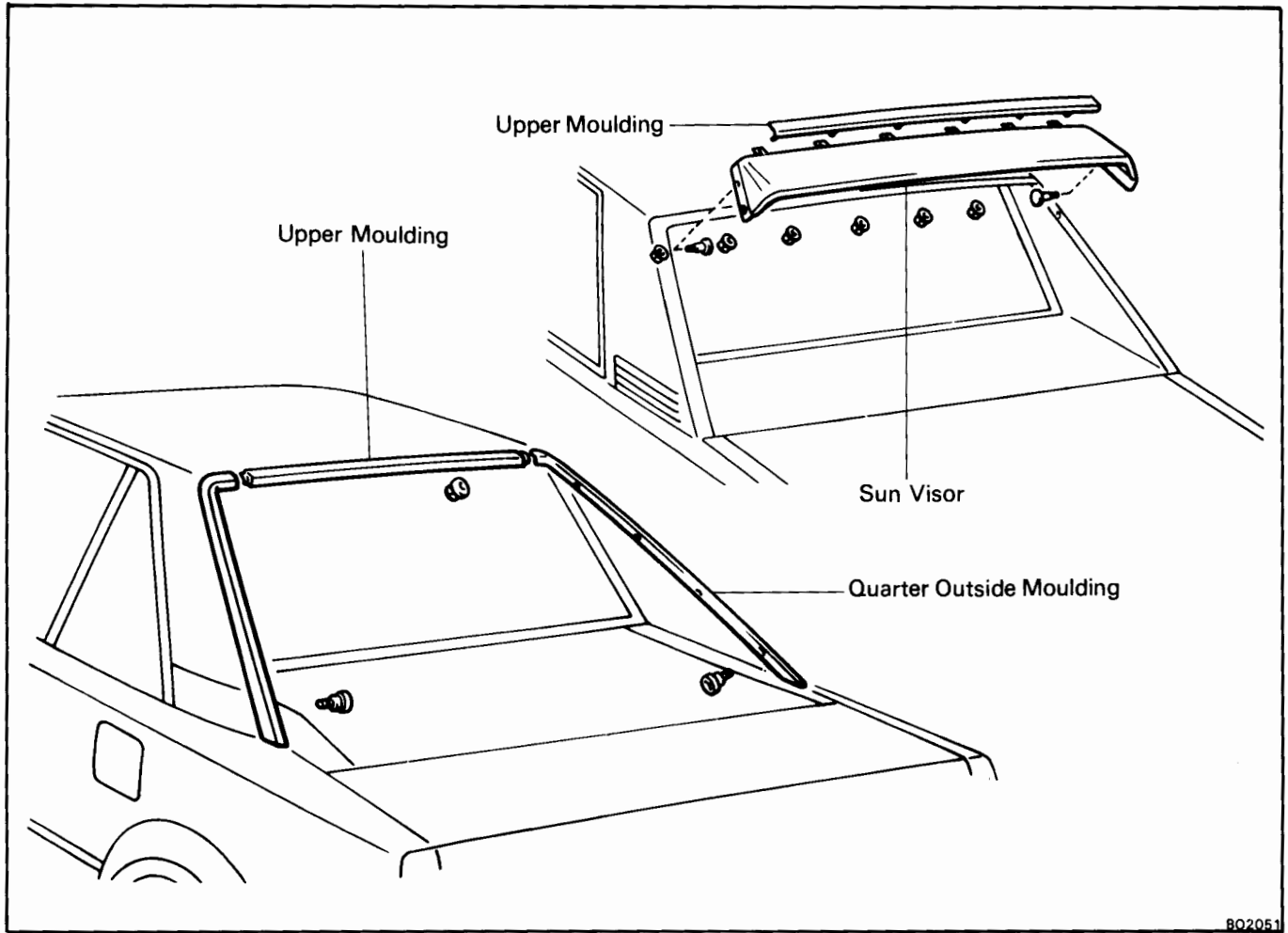
Fit the moulding along the body press line, leaving the spaces shown in the illustration.

**CAUTION:**

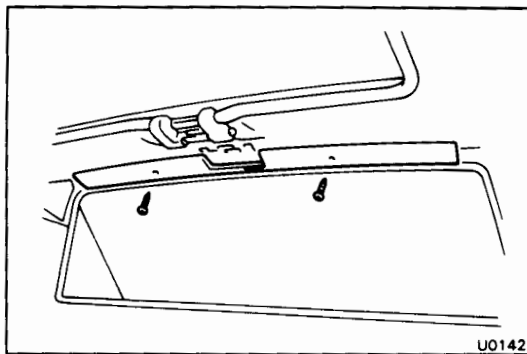
- Be sure that the body and moulding are heated to the proper temperature.
- Do not depress adhesive coated parts excessively: just hold them down with your thumbs.
- Scrape off any overflowing adhesive with a plastic spatula and clean the surface with a dry rag.
- After installation do not wash the vehicle for 24 hours.



## Rear Moulding COMPONENTS



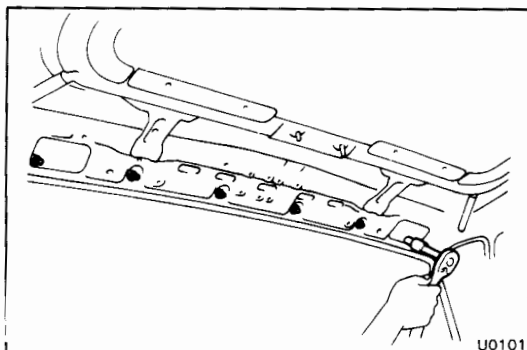
BO2051



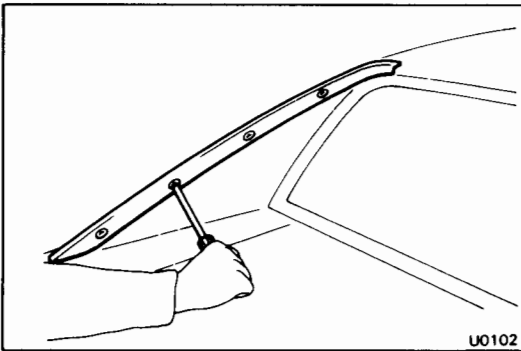
U0142

### REMOVAL OF REAR MOULDING

1. REMOVE ROOM LIGHT
2. REMOVE ROOF HEADLINING REAR TRIM  
Remove the two clips and two screws and roof headlining rear trim.
3. REMOVE UPPER MOULDING  
Using deep socket wrench, remove the six nuts and upper moulding.

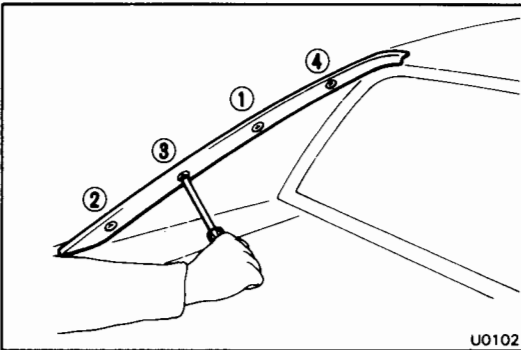


U0101



#### 4. REMOVE QUARTER OUTSIDE MOULDING AND SUN VISOR

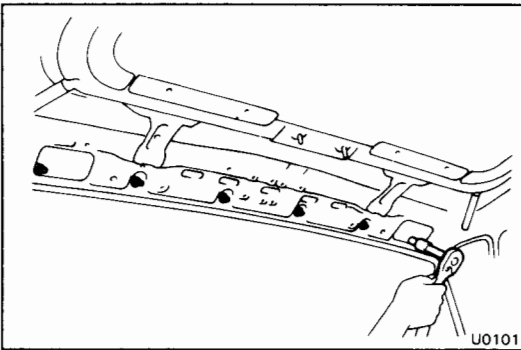
- (a) Remove the four screws and quarter outside moulding.
- (b) Remove the other side moulding and sun visor.



### INSTALLATION OF REAR MOULDING

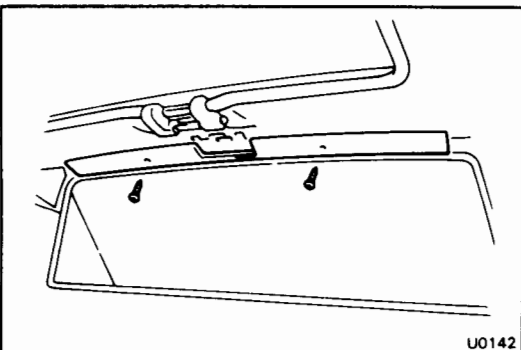
#### 1. INSTALL QUARTER OUTSIDE MOULDING AND SUN VISOR

- (a) Position the quarter outside moulding and sun visor.
- (b) Tighten the four screws in order, as shown in the figure.
- (c) Install the moulding on the opposite side in the same method.



#### 2. INSTALL UPPER MOULDING

- (a) Position the upper moulding.
- (b) Using deep socket wrench, tighten the six nuts in order, as shown in the figure.



#### 3. INSTALL ROOF HEADLINING REAR TRIM

Install the roof headlining rear trim.

#### 4. INSTALL ROOM LIGHT

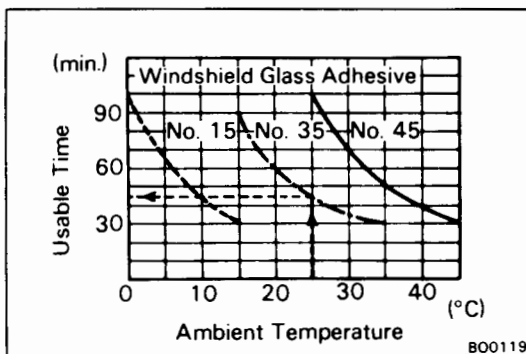
# WINDSHIELD TOOLS AND SUPPLIES

Part name and part No.	Contents of set	Quantity
Adhesive set 08850-00070 [0 – 15°C (32 – 59°F)] 08850-00080 [15 – 35°C (59 – 95°F)] 08850-00090 [35 – 45°C (95 – 113°F)]	Main agent 500 g (17.64 oz.) Hardening agent 75 g (2.65 oz.) Primer G [for glass] 20 g (0.71 oz.) Primer M [for body] 20 g (0.71 oz.) Sponge for applying primer Piano wire 0.6 mm dia. x 1 m (0.024 in. dia x 39.37 in.) Cartridge	1 can 1 ea. 1 ea. 1 ea. 2 ea. 1 ea. 1 set.
Dam kit 04562-30040	Dam Double-stick tape (for sticking on dam)	
	Sealant gun (for applying adhesive) Glass or steel sheet (for mixing adhesive) Putty spatula (for mixing adhesive and correcting adhered parts) Cleaner (for cleaning adhering surfaces)	

Ambient temperature	Part No.	Part name
0 – 15°C (32 – 59°F)	08850-00070	Windshield glass adhesive set No. 15
15 – 35°C (59 – 95°F)	08850-00080	Windshield glass adhesive set No. 35
35 – 45°C (95 – 113°F)	08850-00090	Windshield glass adhesive set No. 45

**1. CHOOSE SUITABLE ADHESIVE SET**

Use an adhesive set suitable for the ambient temperature.

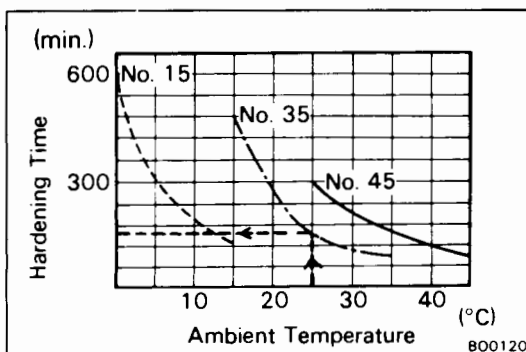


**2. CHECK ADHESIVE USABLE TIME**

After mixing the main and hardening agents, finish glass installation within the specified time as shown.

Example:

For glass installation in an ambient temperature of 25°C (77°F), apply adhesive set No. 35 within 45 minutes.



**3. CHECK ADHESIVE HARDENING TIME**

First, mix the main and hardening agents.

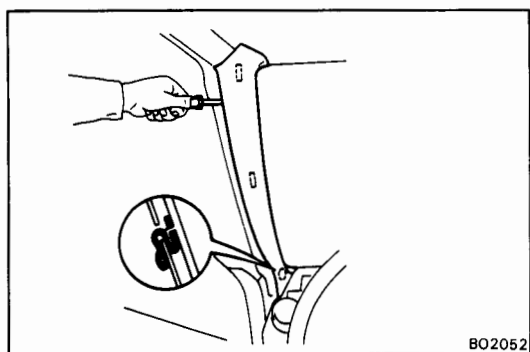
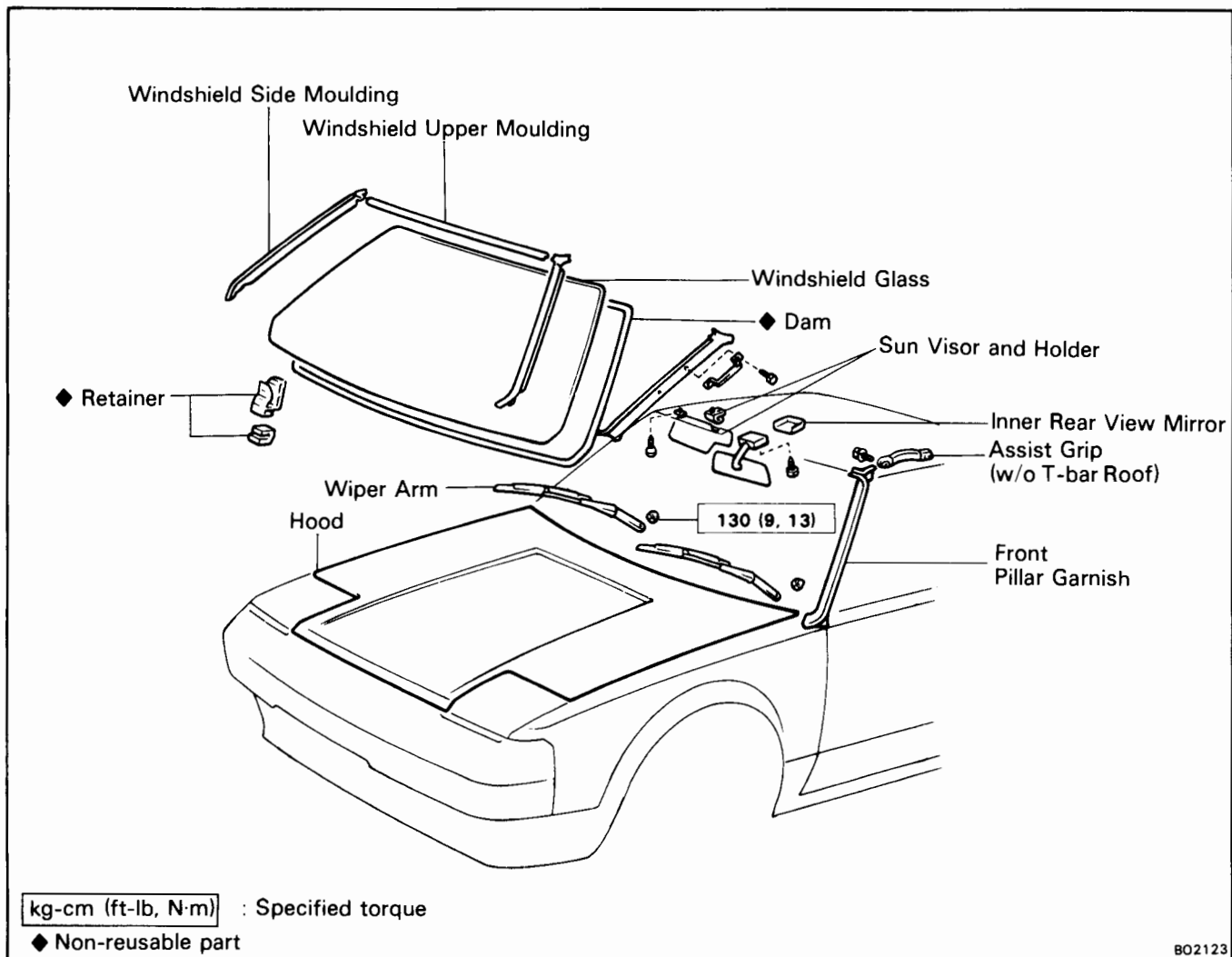
Then, perform a leak test only after the hardening time has elapsed.

Example:

The hardening time for adhesive set No. 35 with an ambient temperature of 25°C (77°F) is 2 ½ hours.

**CAUTION: Do not drive the vehicle until at least double the hardening time has elapsed.**

## COMPONENTS



## REMOVAL OF WINDSHIELD

### 1. REMOVE FRONT PILLAR GARNISH

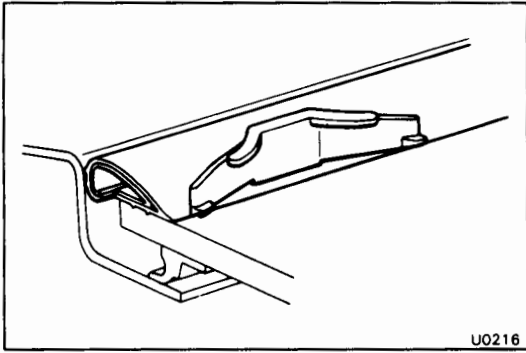
- (a) Remove the two screws and assist grip. (w/ T-bar roof)
  - (b) Remove the two screws and front roof bracket cover. (w/ T-bar roof)
  - (c) Using a screwdriver, pry out the clips.
- NOTE: Tape the screwdriver tip before using.
- (d) Pull the garnish upward to remove it.

### 2. REMOVE FOLLOWING PARTS:

- (a) Sun visors and holders
- (b) Inner rear view mirror
- (c) Hood
- (d) Wiper arms
- (e) Heater air duct screens

### 3. REMOVE WINDSHIELD MOULDING (See page BO-16)

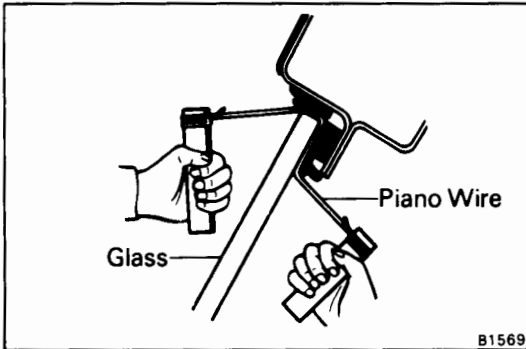




**4. REMOVE CLIPS**

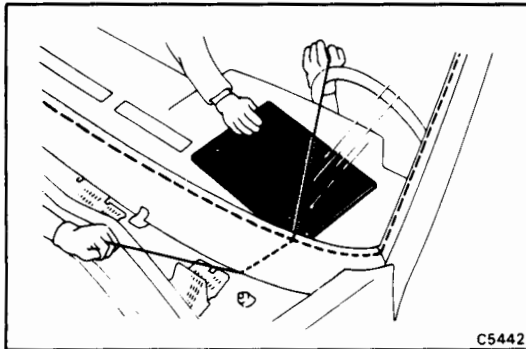
Be careful not to damage the clips when removing them from around the glass.

NOTE: Do not remove the fasteners, but replace any that are deformed.



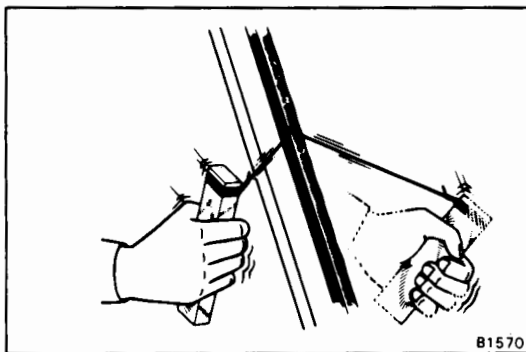
**5. REMOVE WINDSHIELD GLASS**

- (a) Push piano wire through from the interior.
- (b) Tie both wire ends to a wooden block or equivalent.



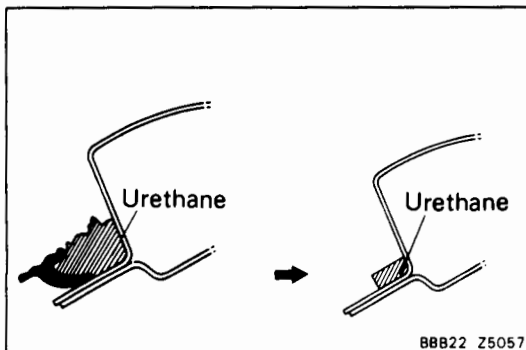
**CAUTION:** When separating, take care not to damage the paint and interior and exterior ornaments.

To prevent scratching the safety pad when removing the windshield, place a plastic sheet between the piano wire and safety pad.



- (c) Cut the adhesive by pulling the piano wire around it.
- (d) Remove the glass.

**CAUTION:** Cut off the glass, leaving as much of the urethane layer on the body as possible.

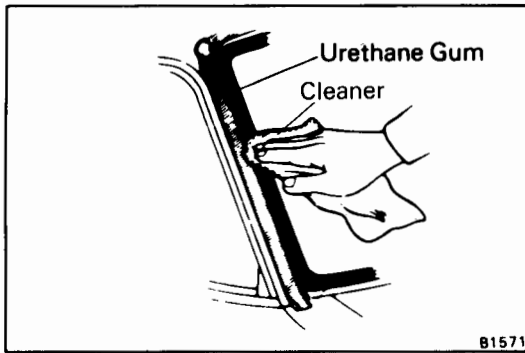


**INSPECTION AND CLEANING**

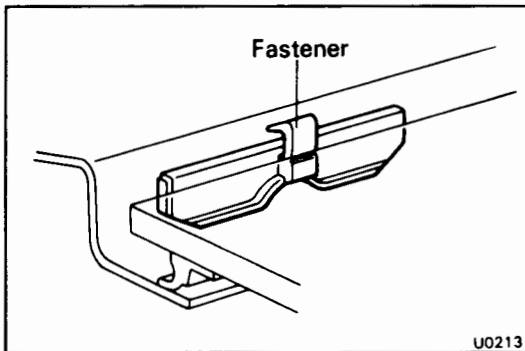
**1. CLEAN AND SHAPE CONTACT SURFACE OF BODY**

- (a) Remove any dam remaining on the body.
- (b) Cut out any rough areas with a knife.

NOTE: Leave as much urethane layer on the body as possible.

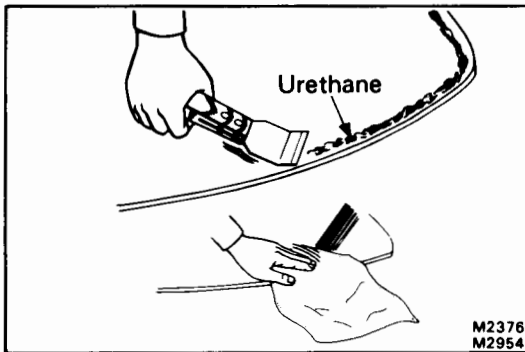


- (c) Clean the cutting surface of the urethane gum with a piece of cloth saturated in cleaner.



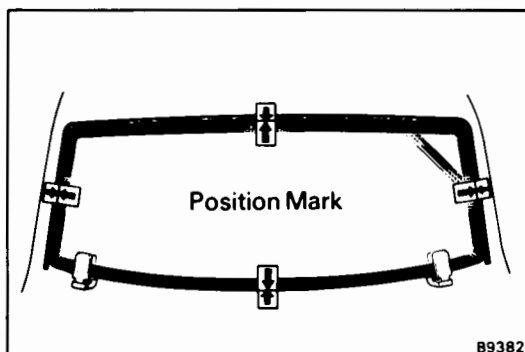
## 2. IF FASTENERS ARE DAMAGED

- Remove any damaged fastener.
- Cut off the old adhesive around the fastener installation area.
- Install a new fastener.



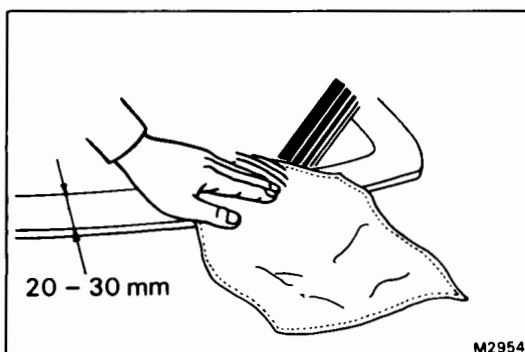
## 3. CLEAN REMOVED GLASS BEFORE INSTALLATION

- Using a scraper, remove the urethane gum sticking to the glass.
- Clean the glass with cleaner.



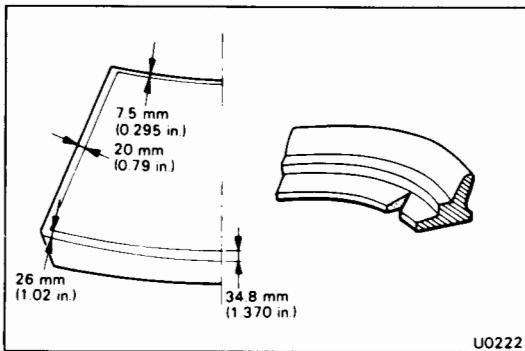
## 4. POSITION GLASS

- Place glass in the correct position.
- Check that all contacting parts of the glass rim are perfectly even and do not make contact with the fasteners.
- Make reference marks between the glass and body.
- Remove the glass.



## 5. CLEAN CONTACT SURFACE OF GLASS

Using cleaner, clean the contact surface 20 – 30 mm (0.79 – 1.18 in.) wide around the entire glass rim.



## INSTALLATION OF WINDSHIELD

(See page BO-32)

### 1. INSTALL DAM

(a) Apply double-stick tape as shown.

(b) Place the dam on the double-stick tape.

NOTE: Cut a V-wedge into the corner folds of the dam.

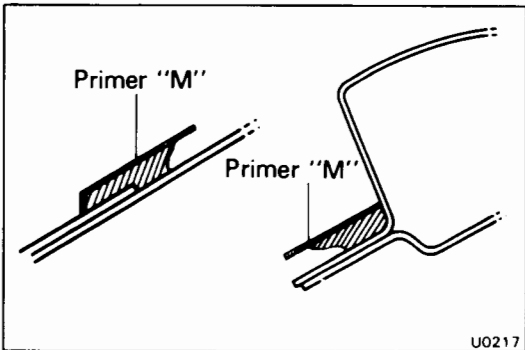
CAUTION: Do not touch the glass face after cleaning.

### 2. COAT CONTACT SURFACE OF BODY WITH PRIMER "M"

Using a brush, coat the contact surface on the body with Primer "M".

CAUTION:

- Let the Primer coating dry for 10 minutes or more. Make sure that the installation of the glass is finished within 2 hours.
- Use care not to leave any part of the contact surface uncoated or excessively coated, as Primer "M" and "G" serve to boost the adhesive power of the urethane to the glass or body.
- Do not keep any of the opened Primer "M" and "G" for later use.

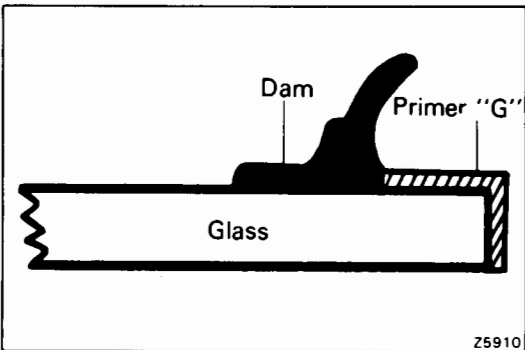


### 3. COAT CONTACT SURFACE OF GLASS WITH PRIMER "G"

(a) Using a brush or sponge, coat the edge of the glass and the contact surface with Primer "G".

(b) Before the primer dries, wipe any excess off with a clean cloth to avoid too thick a coat.

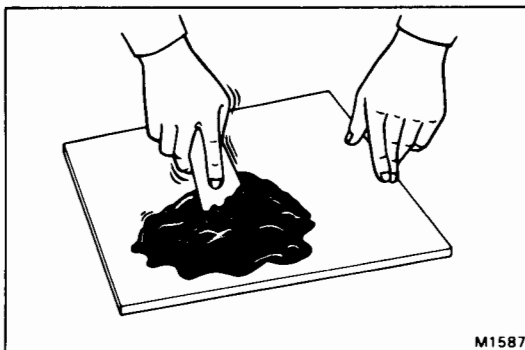
CAUTION: Be sure that installation of the glass is finished within 70 minutes.



### 4. MIX ADHESIVE COATING

CAUTION:

- Be sure that installation of the glass is finished within the usable time. (See step 2 on page BO-30)
- The mixture should be made in 5 minutes or less.
- (a) Thoroughly clean the glass plate and putty spatula with cleaner.
- (b) Using a putty spatula, thoroughly mix the main 500g (17.64 oz.) and hardening agents 75g (2.65 oz.) on a glass plate or like object.



### 5. APPLY ADHESIVE

(a) Cut off the tip of the cartridge nozzle, making a hole 5 mm (0.20 in.) in diameter. Fill the cartridge with adhesive.

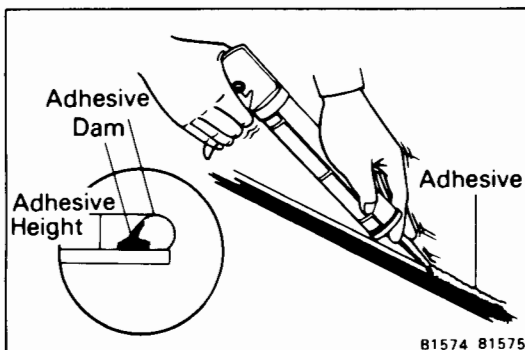
(b) Load the cartridge into the sealer gun.

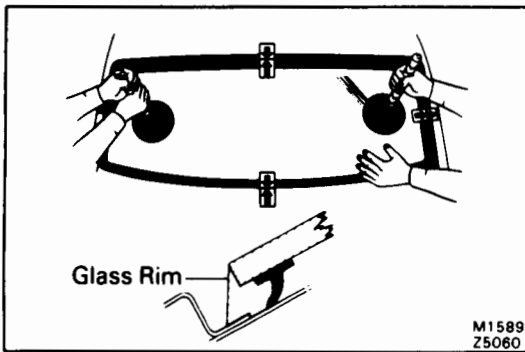
(c) Coat the glass with adhesive on all contact surfaces along the ridge.

Adhesive thickness:

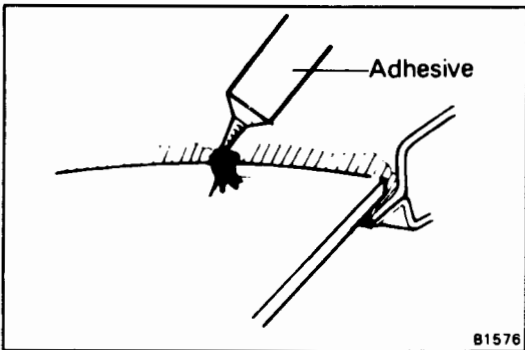
If there is adhesive on body  
3.5 – 5.0 mm (0.138 – 0.197 in.)

If there is no adhesive on body  
8 – 10 mm (0.31 – 0.39 in.)



**6. INSTALL GLASS**

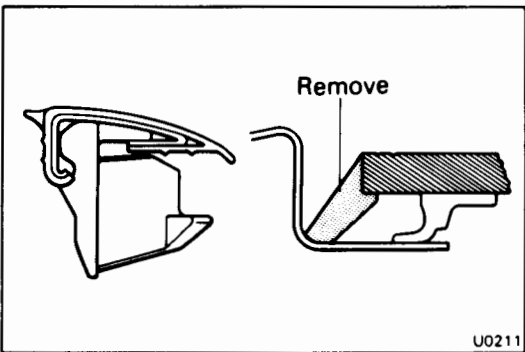
- (a) Position the glass so that reference marks are lined up, and press in gently along the rim.
- (b) Using a spatula, apply adhesive to the glass rim.
- (c) Use a spatula to remove any excess or protruding adhesive.
- (d) Fasten the glass securely until the adhesive sets.

**7. INSPECT FOR LEAKS AND REPAIR**

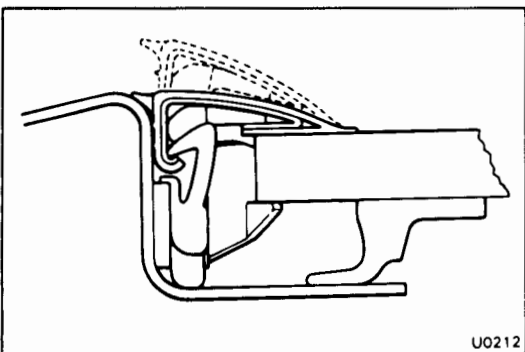
- (a) Perform a leak test after the hardening time has elapsed.
- (b) Seal any leak with auto glass sealer.

**Part No. 08833-00030 or equivalent**

**CAUTION: Wait at least twice the hardening time before driving the car.**

**8. INSTALL UPPER MOULDING**

- (a) Install the clips into the moulding. When installing the moulding, be sure that the clips and fasteners on the body side do not make contact.
  - (b) Using a knife, remove the adhesive around the installation area of the clips.
  - (c) Apply adhesive to the installation area of the clips.
- NOTE:** Loosely install the clip and confirm that the clip arm is not protruding above the surface.



- (d) Fit on the upper moulding, and tap the fasteners on by hand.

**9. INSTALL FOLLOWING PARTS:**

- (a) Wiper arms
- (b) Heater air duct screens
- (c) Hood
- (d) Inner rear view mirror
- (e) Sun visors and holders
- (f) Assist grip (w/ T-bar roof)
- (g) Front pillar garnish
- (h) Front roof bracket cover (w/ T-bar roof)

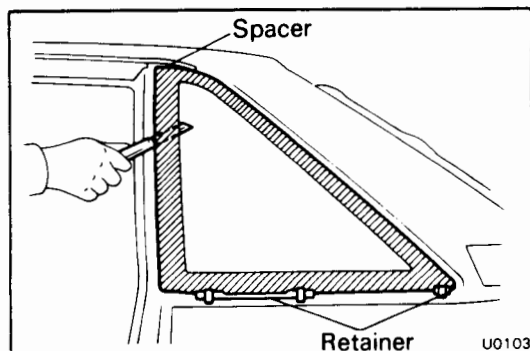
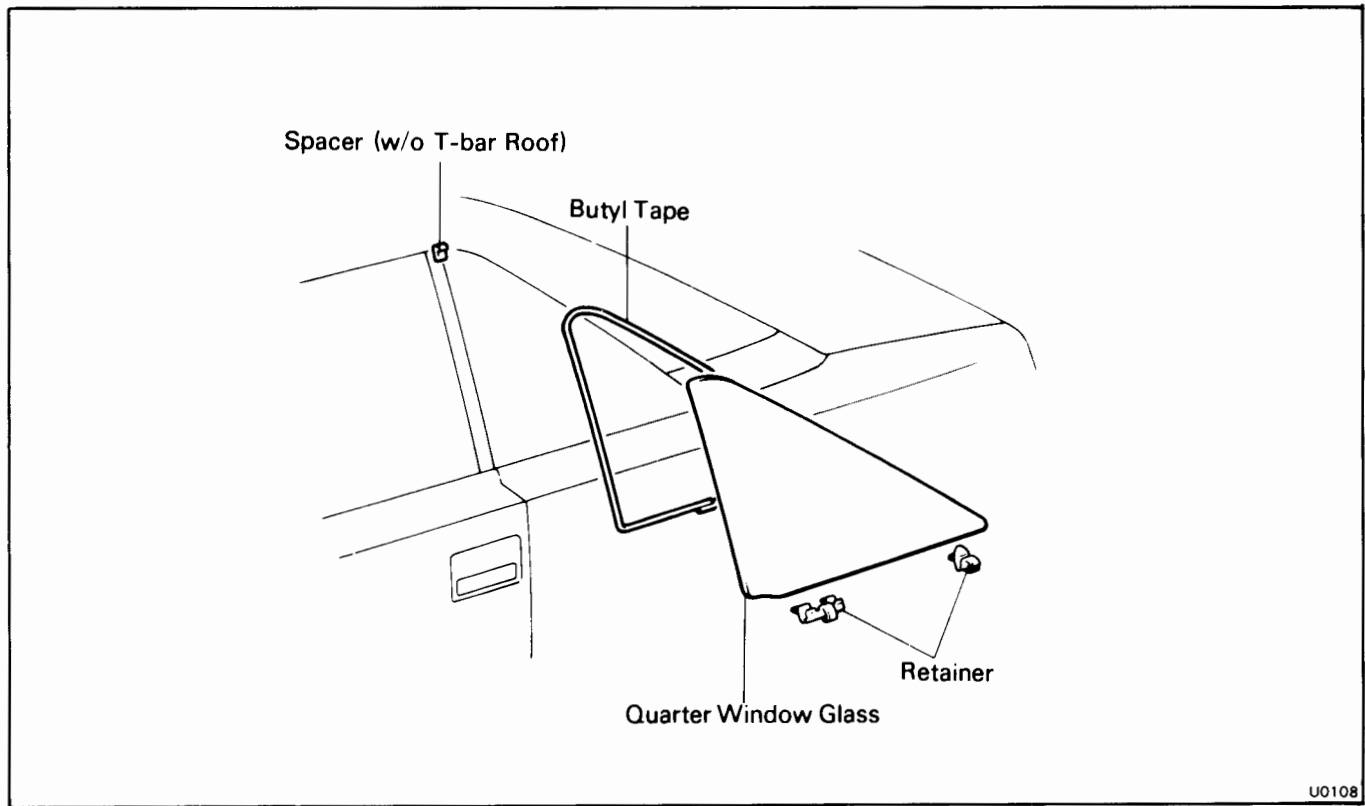
**10. INSTALL AND ADJUST HOOD (See page BO-3)**

**CAUTION: Wait at least twice the setting time before driving the car.**

## QUARTER WINDOW GLASS PREPARE ITEMS LISTED

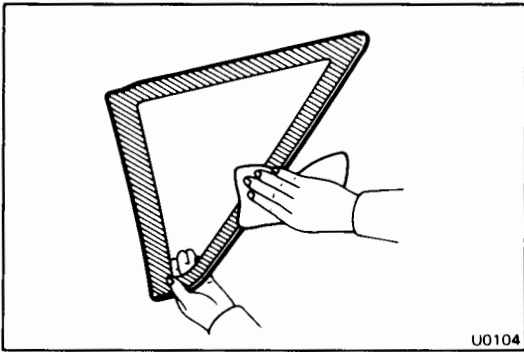
Part name and part No.	Contents of set
Butyl tape set (08850-00065)	Butyl tape 9 mm dia. x 2,500 mm (0.35 x 98.43 in.) Primer 5 cc (0.17 fl.oz.) Sponge (for applying Primer) Piano wire 1 mm dia. x 600 mm (0.04 x 23.62 in.) (for slicing off glass)
Materials required	Cleaner (for cleaning adhering surface)

### COMPONENTS



### REMOVAL OF QUARTER WINDOW GLASS

1. REMOVE QUARTER WINDOW MOULDING  
(See page BO-22)
2. REMOVE QUARTER WINDOW GLASS
  - (a) Using a knife, cut loose the adhesive.
  - (b) Remove the glass.
3. REMOVE BELT MOULDING RETAINERS AND SPACER

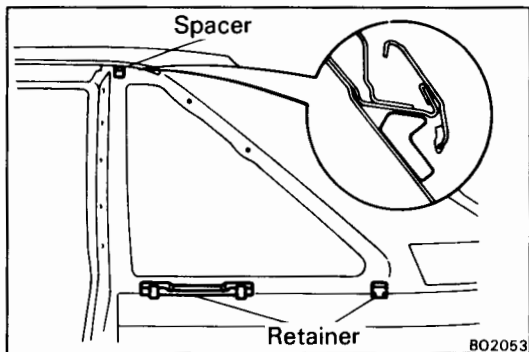


## INSTALLATION OF QUARTER WINDOW GLASS

(See page BO-37)

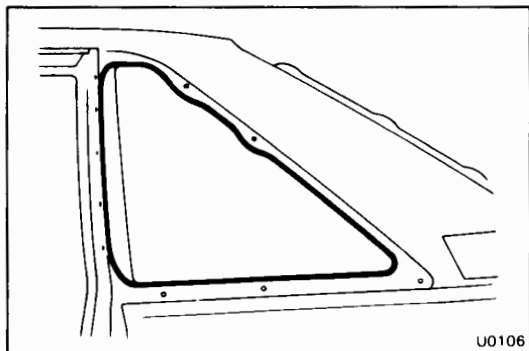
### 1. CLEAN BODY OR GLASS

Wipe off any adhesive left on the body or glass with cleaner.



### 2. INSTALL BELT MOULDING RETAINERS AND SPACER

- (a) From inside the vehicle, install the retainer with two nuts.
- (b) Tape both sides of the spacer so that it is flush against the roof drip.



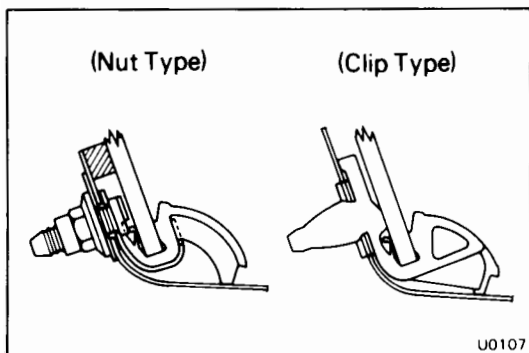
### 3. COAT CONTACT SURFACE OF GLASS WITH PRIMER

- (a) Sponge a 20 – 30 mm (0.79 – 1.18 in.) band of primer around the entire edge of the glass.
- (b) Allow primer to dry of 10 minutes.

### 4. APPLY BUTYL TAPE TO BODY

Apply butyl tape around window frame on body where glass is to be adhered.

NOTE: Apply butyl tape continuously, overlapping the ends so that it provides a watertight seal around glass.



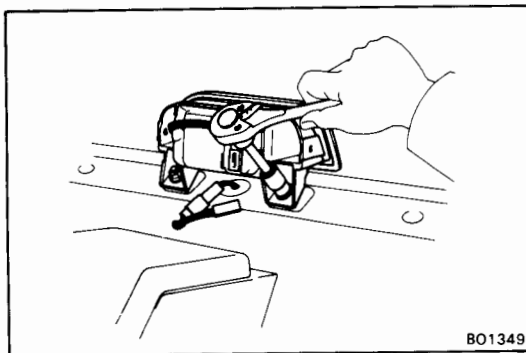
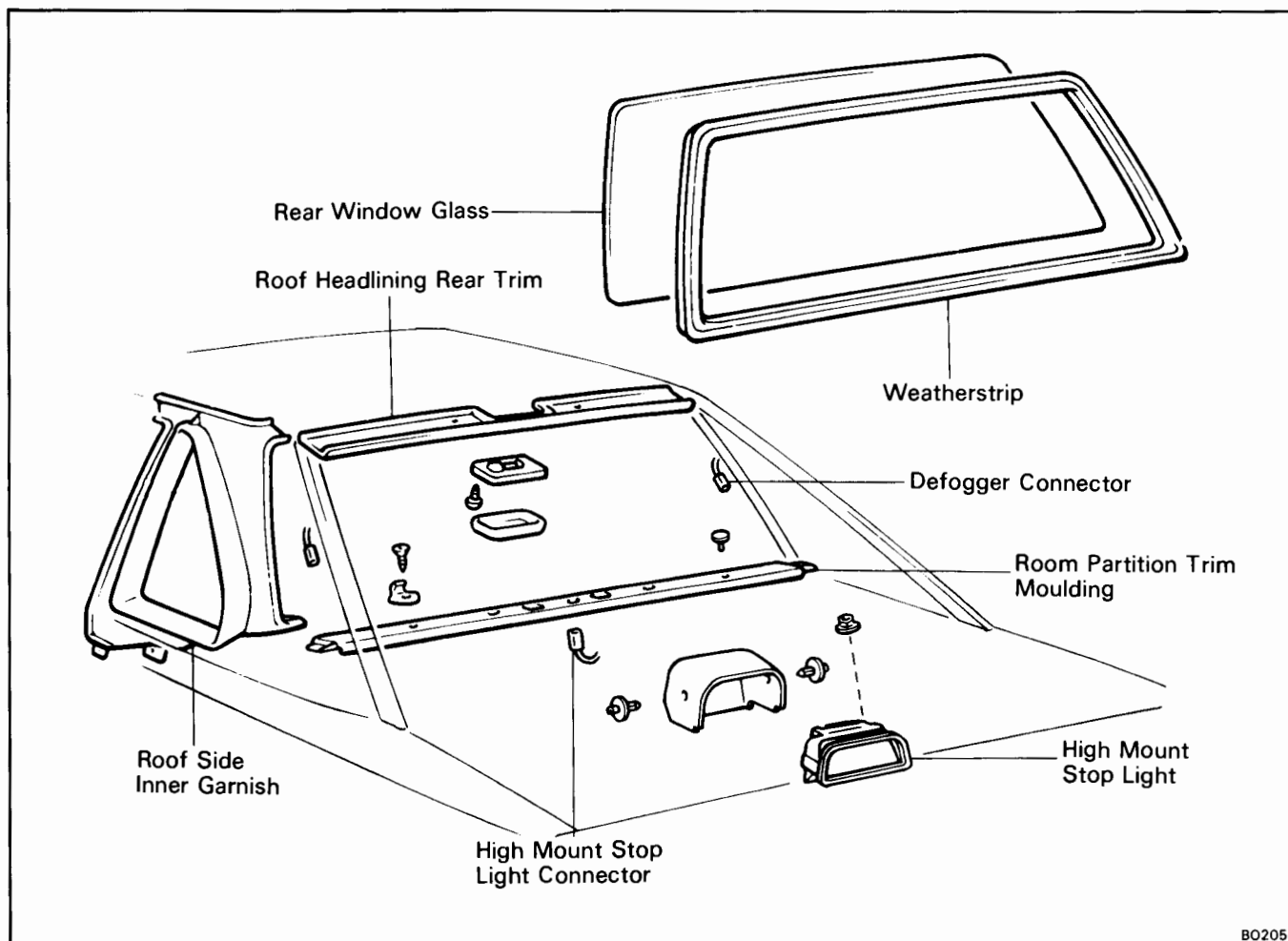
### 5. INSTALL GLASS

Install retainer into ceramic notch on glass, and install glass to body frame.

### 6. INSTALL QUARTER WINDOW MOULDING

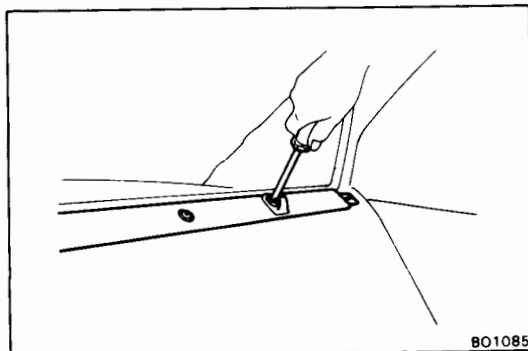
(See page BO-24)

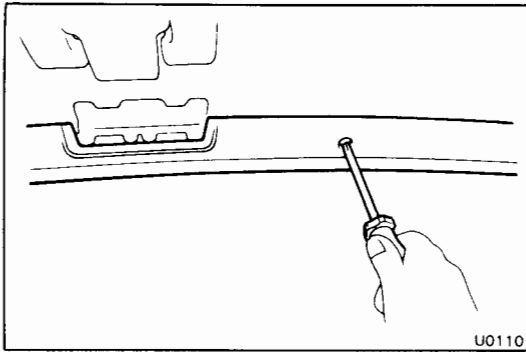
## REAR WINDOW GLASS COMPONENTS



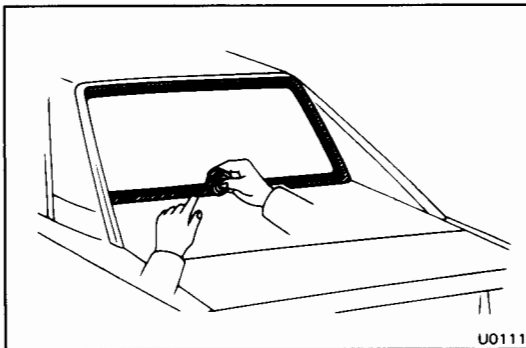
### REMOVAL OF REAR WINDOW GLASS

1. **REMOVE HIGH MOUNT STOP LIGHT WITH BRACKET**
  - (a) Push on the center of the clip with a thin object to remove it.
  - (b) Remove the cover.
  - (c) Disconnect the connector.
  - (d) Remove the high mount stop light with the bracket.
2. **REMOVE ROOF SIDE INNER GARNISH**  
(See page BO-23)
3. **REMOVE ROOM PARTITION TRIM MOULDING AND COAT HOOK**
4. **REMOVE ROOM LIGHT**
5. **DISCONNECT REAR WINDOW DEFOGGER CONNECTOR**

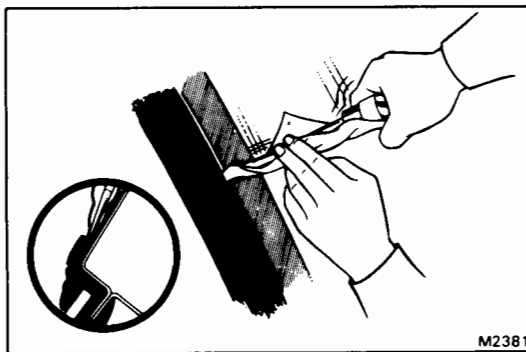




6. REMOVE ROOF HEADLINING REAR TRIM
7. REMOVE REAR WINDOW UPPER MOULDING  
(See page BO-29)



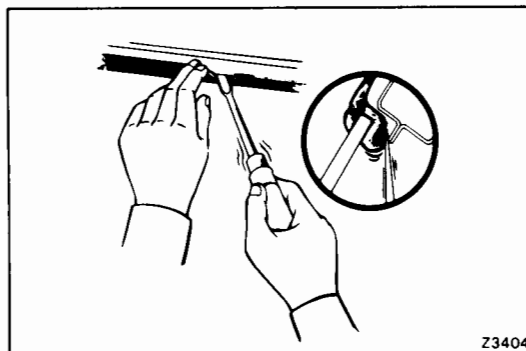
8. APPLY ADHESIVE TAPE TO PROTECT BODY



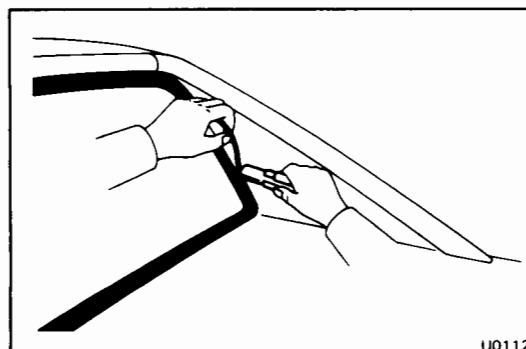
9. REMOVE GLASS

**If reusing weatherstrip:**

- (a) Working from outside the vehicle with a screwdriver, loosen the weatherstrip lip from the body.



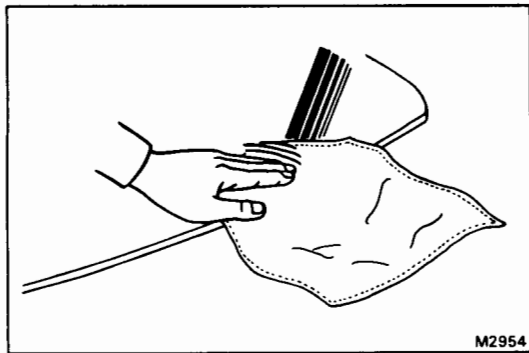
- (b) Force the weatherstrip lip from the interior to the outside body flange. Pull the glass outwards and remove it with the weatherstrip.



**If not reusing weatherstrip:**

- (a) From the outside, cut off the weatherstrip lip with a knife.
- (b) From the vehicle interior, push on the glass with an even force.
- (c) Pull off the weatherstrip from the body.



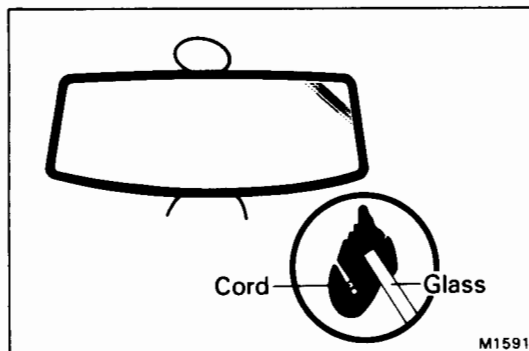


## INSTALLATION OF REAR WINDOW GLASS

(See page BO-39)

### 1. CLEAN BODY AND GLASS

Wipe off any adhesive left on the body or glass with cleaner.

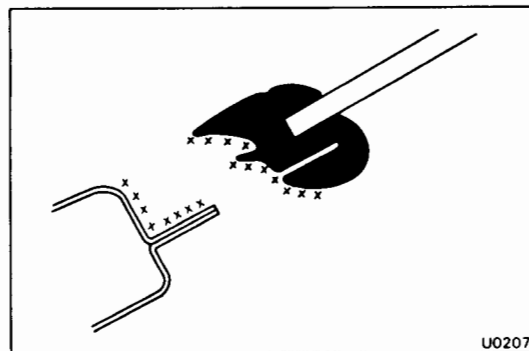


### 2. INSTALL WEATHERSTRIP ON GLASS

(a) Attach the weatherstrip to the glass.

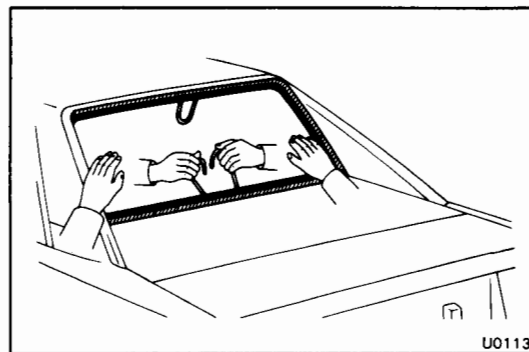
**CAUTION:** If the weatherstrip has hardened, it may develop water leaks. Use a new one if possible.

(b) Apply a working cord along the weatherstrip groove as shown.



### 3. INSTALL GLASS

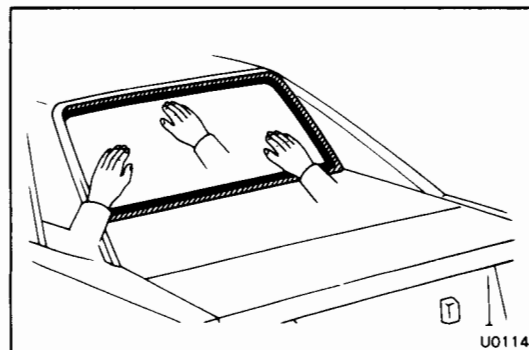
(a) Apply soapy water to the contact face of the weatherstrip lip and to the body flange.



**NOTE:** Begin installation from the lower center of the glass.

(b) Hold the glass in position on the body.

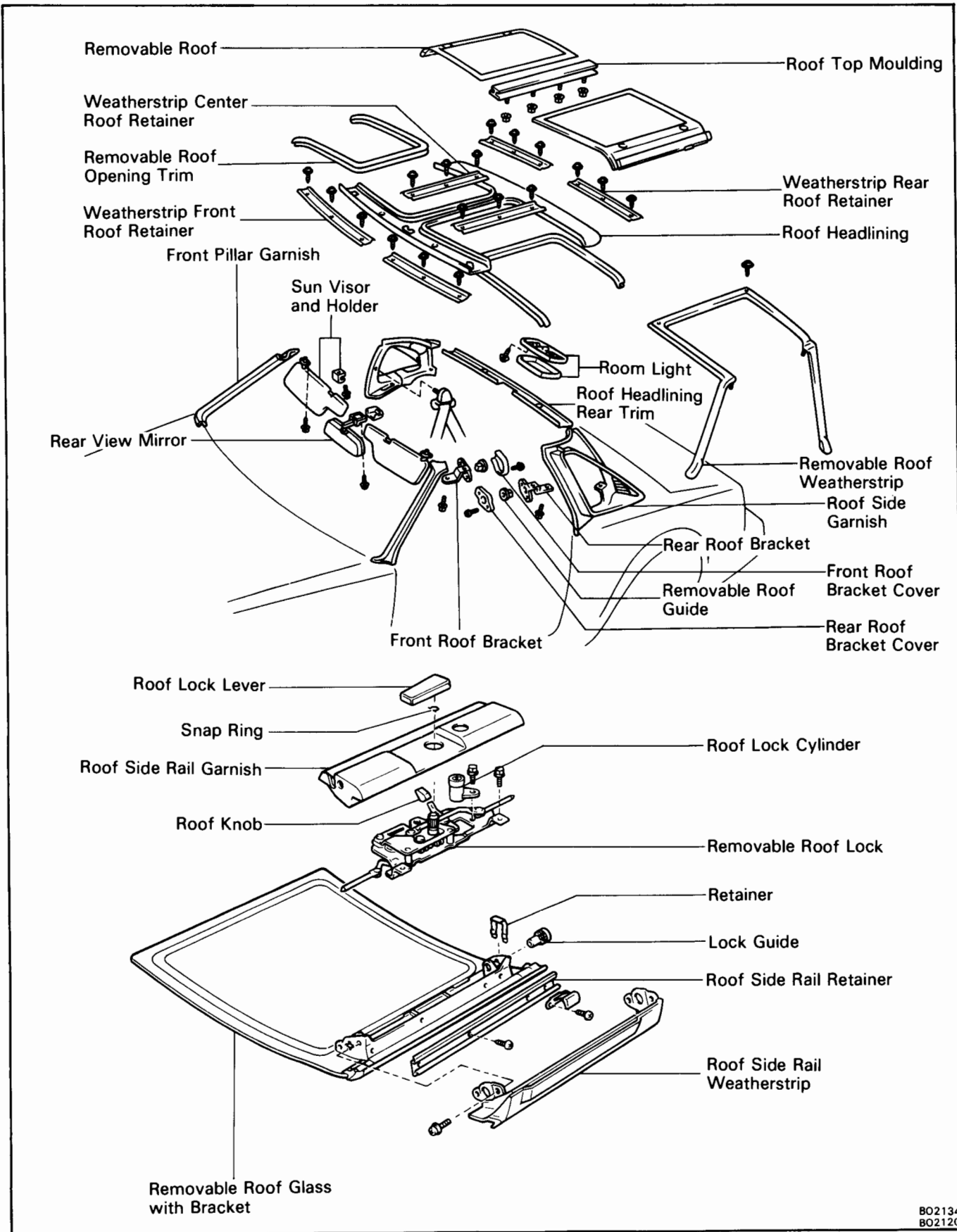
(c) Install the glass by pulling the string from the interior, while pushing on the outside of the weatherstrip with your open hand.

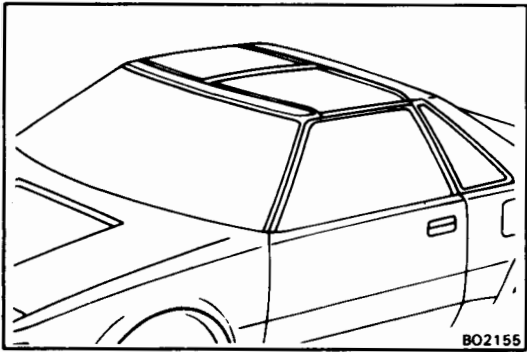


(d) To snug the glass in place, tap from the outside with your open hand.

- 4. INSPECT FOR LEAKS AND REPAIR**
  - (a) Perform a leak test.
  - (b) Seal any leak with auto glass sealer.  
**Part No. 08833-00030 or equivalent**
- 5. INSTALL REAR WINDOW UPPER MOULDING (See page BO-30)**
- 6. INSTALL ROOF HEADLINING REAR TRIM**
- 7. CONNECT REAR WINDOW DEFOGGER CONNECTOR**
- 8. INSTALL ROOM LIGHT**
- 9. INSTALL ROOM PARTITION TRIM MOULDING AND COAT HOOK**
- 10. INSTALL ROOF SIDE INNER GARNISH (See page BO-25)**
- 11. INSTALL HIGH MOUNT STOP LIGHT**

# T-BAR ROOF COMPONENTS





## ON-VEHICLE INSPECTION

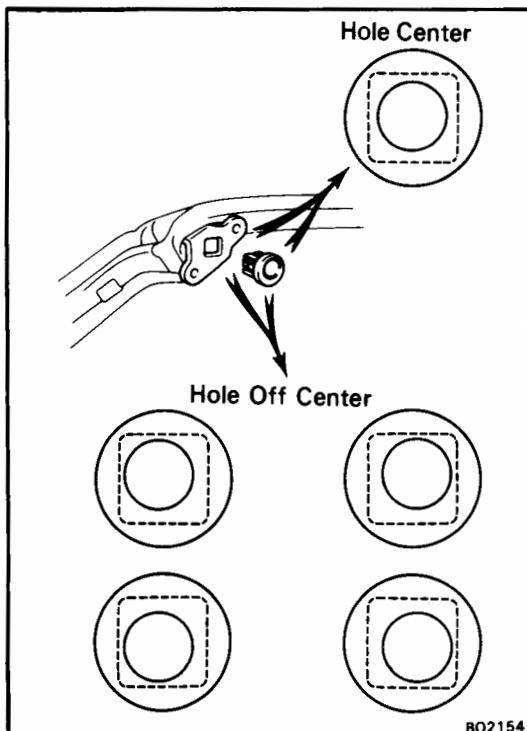
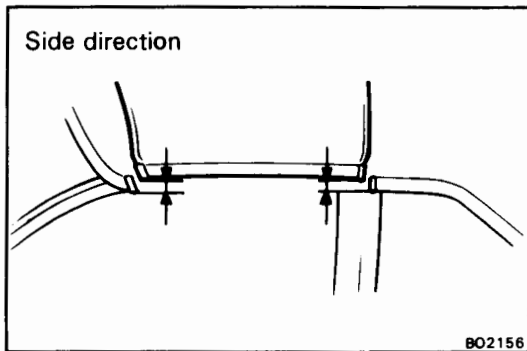
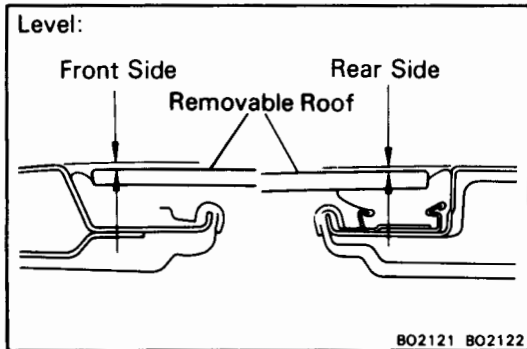
- With the removable roof installed, check for water leakage.
- Check for a difference in level between the removable roof glass and roof panel.

### Level:

Front side  $2.4 \begin{smallmatrix} +2.0 \\ -1.0 \end{smallmatrix}$  mm (0.094  $\begin{smallmatrix} +0.079 \\ -0.039 \end{smallmatrix}$  in.)

Rear side  $1.7 \begin{smallmatrix} +2.0 \\ -1.0 \end{smallmatrix}$  mm (0.067  $\begin{smallmatrix} +0.079 \\ -0.039 \end{smallmatrix}$  in.)

Side direction  $8.7 \pm 1.5$  mm  
(0.343  $\pm$  0.059 in.)



## ADJUSTMENT OF REMOVABLE ROOF

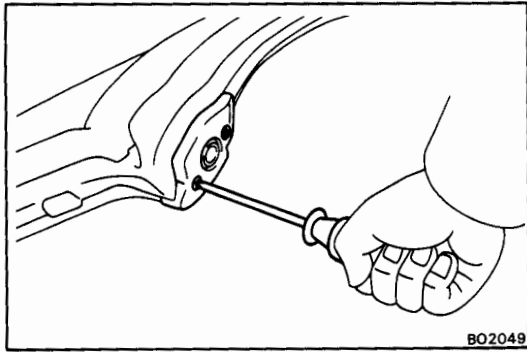
- REMOVE REMOVABLE ROOF GUIDE**  
(See page BO-45)

- SELECT REMOVABLE ROOF GUIDE**

NOTE: There are two types of roof guides, one with the hole centered, and the other with its hole 1 mm (0.039 in.) off center. Depending on the installation position in which the roof guide with the off center hole is installed, the removable roof can be adjusted in four directions.

Set roof guide installation position so that the level difference between the roof panel and removable roof is within specifications.

- INSTALL REMOVABLE ROOF GUIDE**  
(See page BO-46)

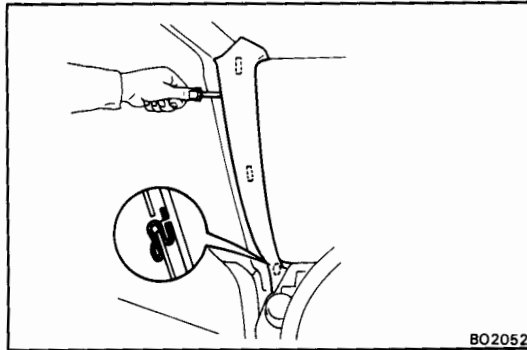


## T-Bar Roof Bracket

### REMOVAL OF T-BAR ROOF BRACKET

#### 1. REMOVE FRONT ROOF BRACKET COVER

Remove the two screws and front roof bracket cover.



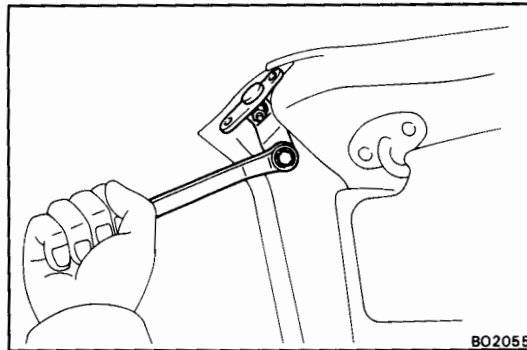
#### 2. REMOVE FRONT PILLAR GARNISH

(a) Remove the two screws and assist grip.

(b) Using a screwdriver tip before using.

NOTE: Tape the screwdriver tip before using.

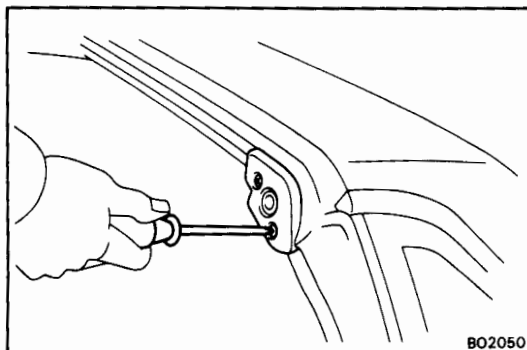
(c) Pull the garnish upward to remove it.



#### 3. REMOVE FRONT ROOF BRACKET

(a) Remove the bolt, nut and bracket.

(b) Remove the removable roof guide from the bracket.



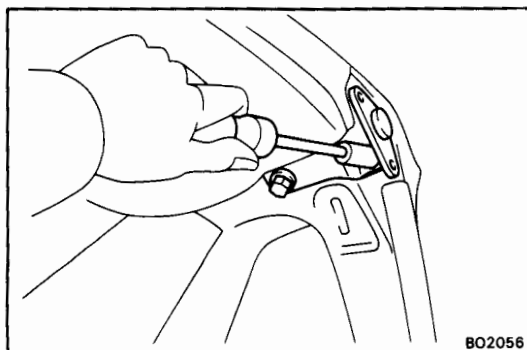
#### 4. REMOVE REAR ROOF BRACKET COVER

Remove the two screws and rear roof bracket cover.

#### 5. REMOVE SEAT BELT SHOULDER ANCHOR BOLT

#### 6. REMOVE ROOF SIDE GARNISH

(See page BO-23)



#### 7. REMOVE REAR ROOF BRACKET

(a) Remove the bolt, nut and bracket.

(b) Remove the removable roof guide from the bracket.

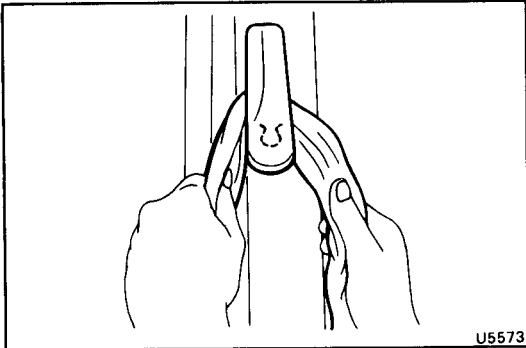
## INSTALLATION OF T-BAR ROOF BRACKET

### 1. INSTALL T-BAR ROOF PARTS FOLLOWING REMOVAL SEQUENCE

Seat belt shoulder anchor belt.

Torque: 440 kg-cm (32 ft-lb, 43 N·m)

### 2. ADJUST REMOVABLE ROOF



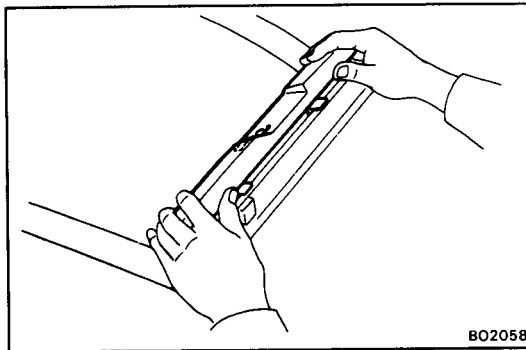
## Removable Roof

### DISASSEMBLY OF REMOVABLE ROOF

#### 1. REMOVE ROOF LOCK LEVER

Pull off the snap ring with a cloth and remove the roof lock lever.

#### 2. REMOVE ROOF KNOB



#### 3. REMOVE ROOF SIDE RAIL GARNISH

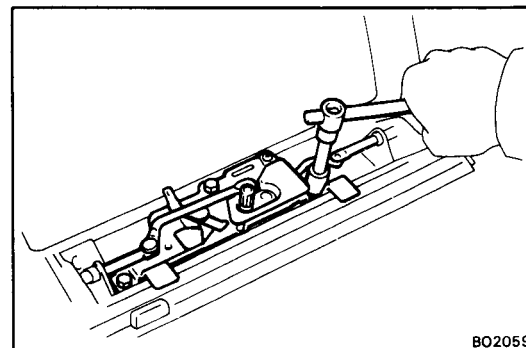
(a) Remove the two screws.

(b) Insert the screwdriver between the garnish and roof glass to pry it loose.

NOTE: Tape the screwdriver tip before use.

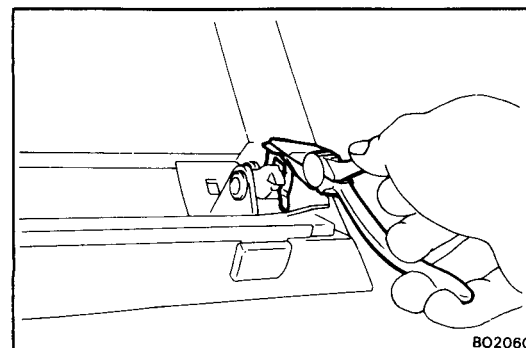
(c) Remove the garnish from the roof lock claw as shown.

#### 4. REMOVE ROOF LOCK CYLINDER



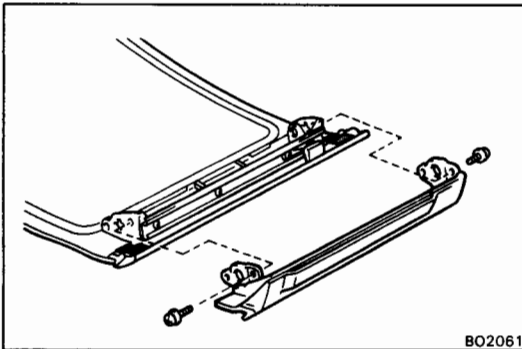
#### 5. REMOVE REMOVABLE ROOF LOCK

Remove the three bolts and roof lock.



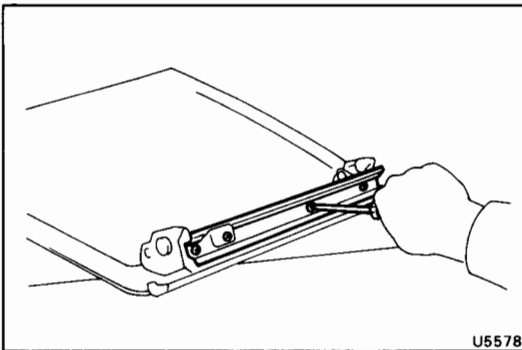
#### 6. REMOVABLE ROOF LOCK GUIDE

Remove the retainer and lock guide.



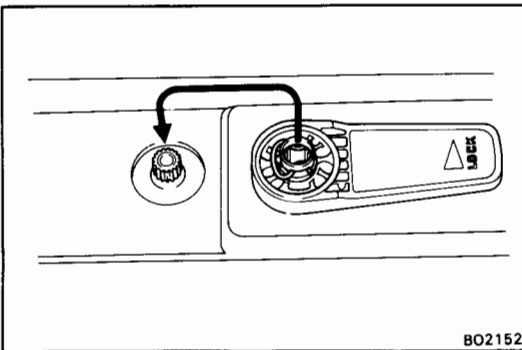
### 7. REMOVE ROOF SIDE RAIL WEATHERSTRIP

- (a) Remove the two screws.
- (b) Tear off the both double-stick tapes, remove the roof side rail weatherstrip.



### 8. REMOVE ROOF SIDE RAIL RETAINER AND HOLDER

Remove the four screws and roof side rail retainer and holder.



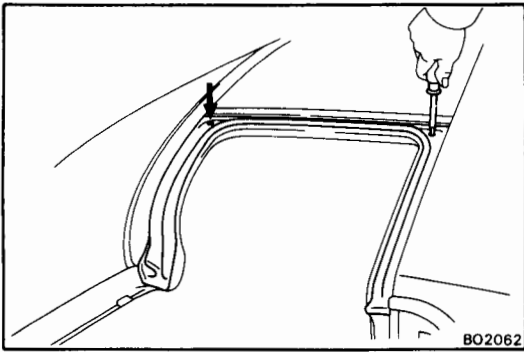
## ASSEMBLY OF REMOVABLE ROOF

### 1. ASSEMBLE REMOVABLE ROOF PARTS FOLLOWING DISASSEMBLY SEQUENCE IN REVERSE

NOTE: If replace the removable roof glass with bracket, refer to replacement of removal roof or removable roof glass with bracket. (See page BO-44)

When reinstall the roof lock lever and snap ring, install the snap ring to roof lock lever. Then install the those parts to the shaft.

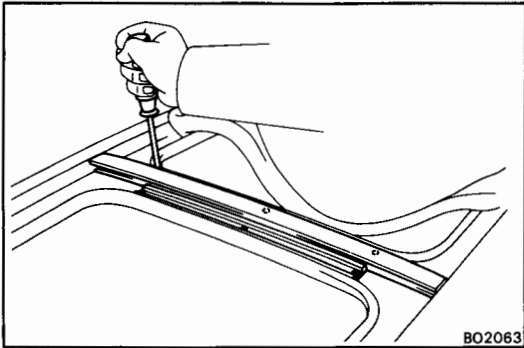
### 2. ADJUST REMOVABLE ROOF (See page BO-44)



## Roof Top Moulding

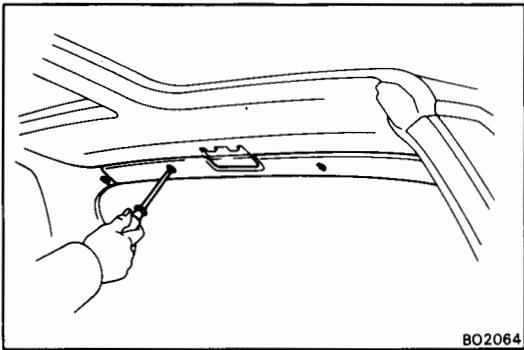
### REMOVAL OF ROOF TOP MOULDING

1. **DISCONNECT REMOVABLE ROOF WEATHERSTRIPS**
  - (a) Remove the four screws from the both side weatherstrips.
  - (b) Disconnect the weatherstrips from the retainer.

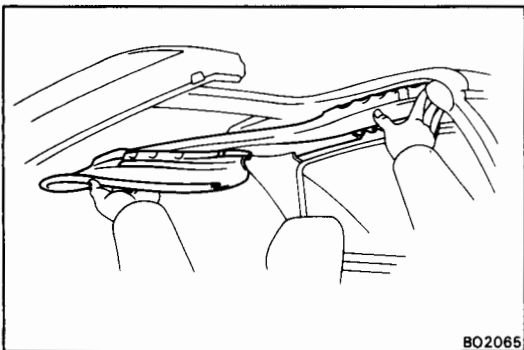


2. **REMOVE TWO WEATHERSTRIP CENTER ROOF RETAINERS**  
Remove the six screws and two center roof retainers.

3. **REMOVE FOLLOWING PARTS:**
  - (a) Sun visors and holders
  - (b) Rear view mirror
  - (c) Room light
  - (d) Front and rear roof bracket cover
  - (e) Assist grip
  - (f) Front pillar garnish
  - (g) Removable roof opening trim

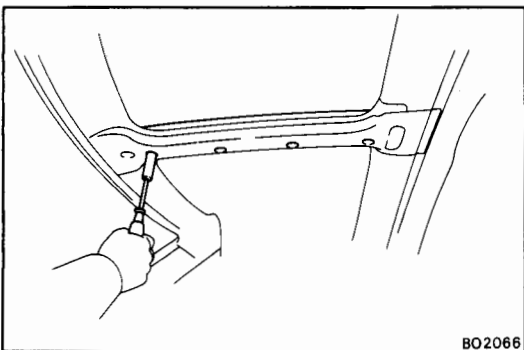


4. **REMOVE ROOF HEADLINING REAR TRIM**  
Remove the two clips and two screws and rear trim.



5. **REMOVE ROOF HEADLINING FROM BODY**
  - (a) Down the front side of roof headlining with the clip.
  - (b) Slide the roof headlining forward.
  - (c) Remove the roof headlining.

NOTE: Do not damage the roof headlining.

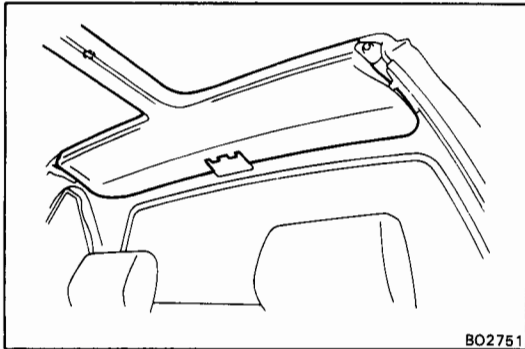


6. **REMOVE ROOF TOP MOULDING FROM ROOF PANEL**  
Remove the four nuts and roof top moulding.



## INSTALLATION OF ROOF TOP MOULDING

### 1. INSTALL ROOF TOP MOULDING TO ROOF PANEL



### 2. INSTALL ROOF HEADLINING TO BODY

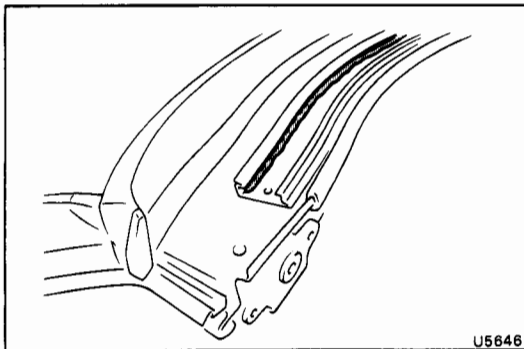
Install the roof headlining with clip to the body by tapping.

### 3. INSTALL ROOF HEADLINING REAR TRIM

### 4. INSTALL FOLLOWING PARTS:

- (a) Front pillar garnish
- (b) Assist grip
- (c) Front and rear roof bracket cover
- (d) Room light
- (e) Rear view mirror
- (f) Sun visors and holders
- (g) Removable roof opening trim

### 5. INSTALL TWO WEATHERSTRIPS CENTER ROOF RETAINERS



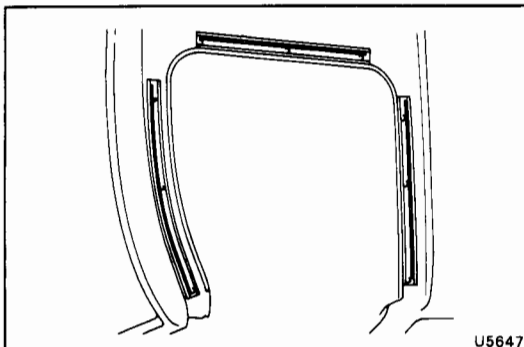
### 6. INSTALL TWO WEATHERSTRIPS

- (a) Using cleaner, clean the weatherstrip retainers.

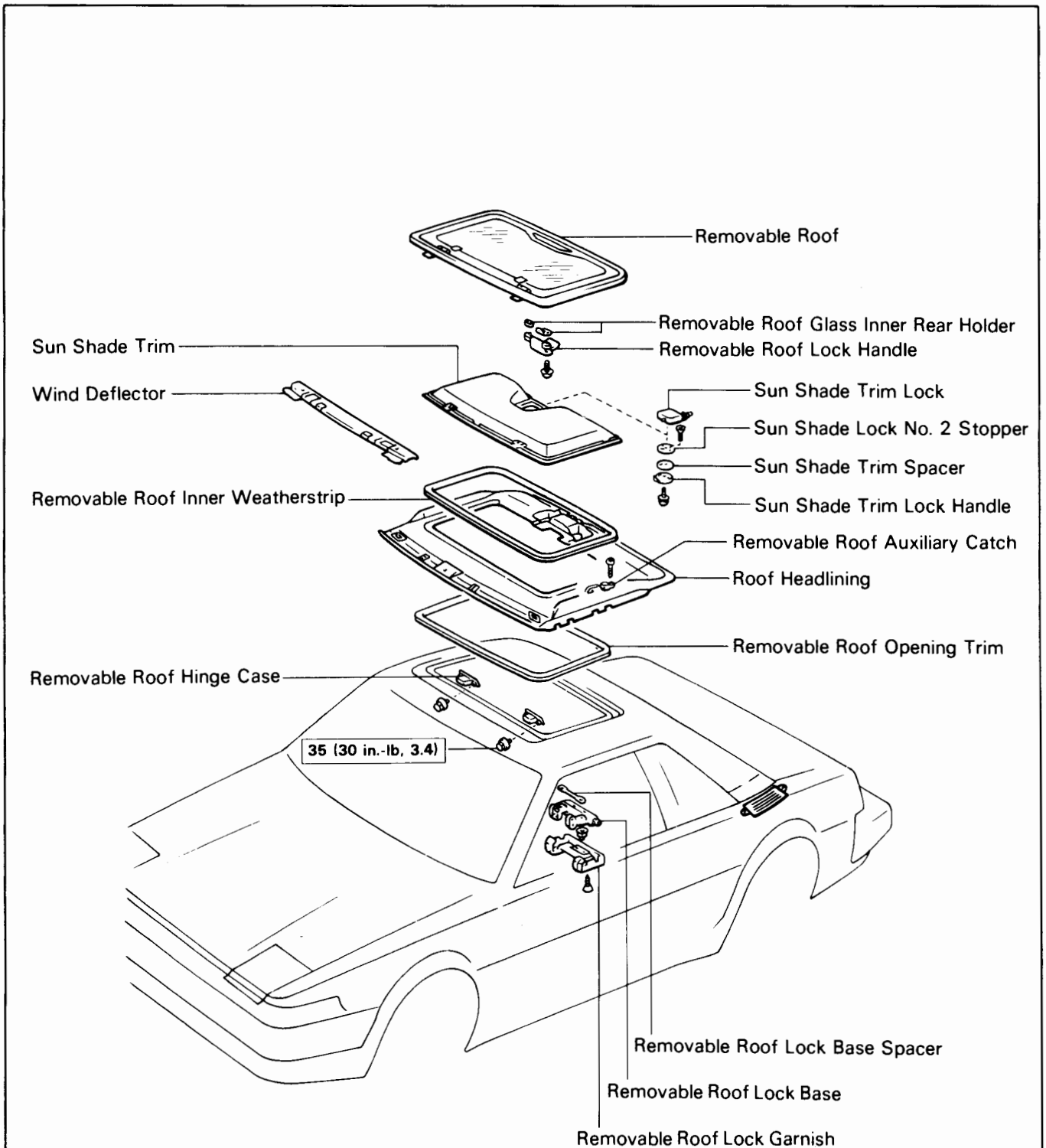
- (b) Apply adhesive to the retainers as shown.

**Part No. 08833-00030 or equivalent**

- (c) Install the two weatherstrips with four screws.



# SUN ROOF COMPONENTS

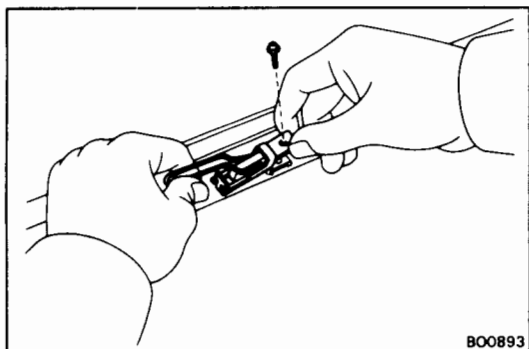


kg-cm (ft-lb, N-m) : Specified torque

**DISASSEMBLY OF SUN ROOF**

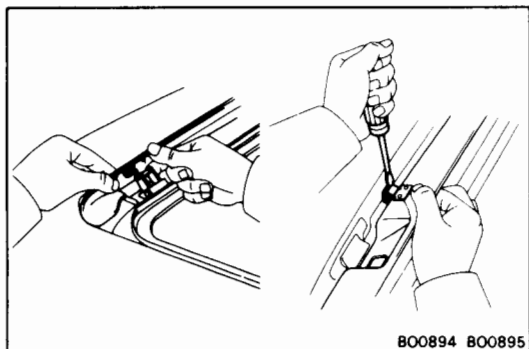
(See page BO-50)

1. REMOVE REMOVABLE ROOF WITH SUN SHADE
2. REMOVE REMOVABLE ROOF INNER WEATHERSTRIP



BO0893

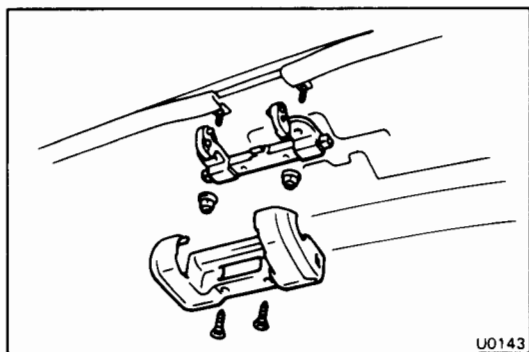
3. REMOVE REMOVABLE ROOF AUXILIARY CATCH



BO0894 BO0895

4. REMOVE WIND DEFLECTOR

- (a) Remove the two outside deflector clips on the left and right sides.
- (b) Remove the two inside deflector clips on the left and right sides, while prying with a screwdriver.

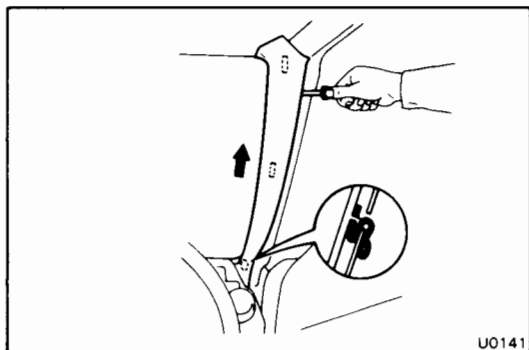


U0143

5. REMOVE REMOVABLE ROOF LOCK BASE

- (a) Remove the two screws and the garnish.
- (b) Remove the two nuts and the lock base.

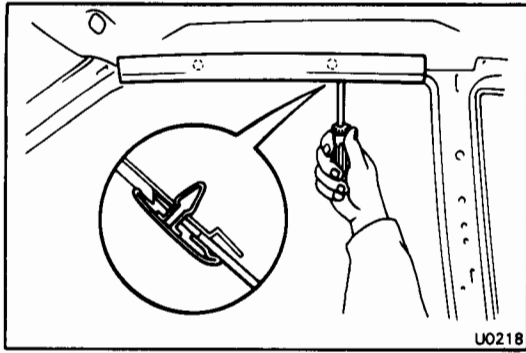
6. REMOVE REMOVABLE ROOF OPENING TRIM



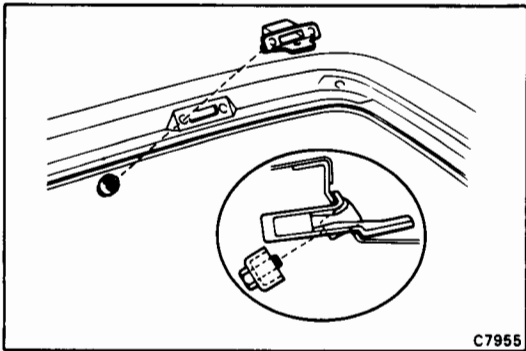
U0141

7. REMOVE REMOVABLE ROOF HINGE CASE

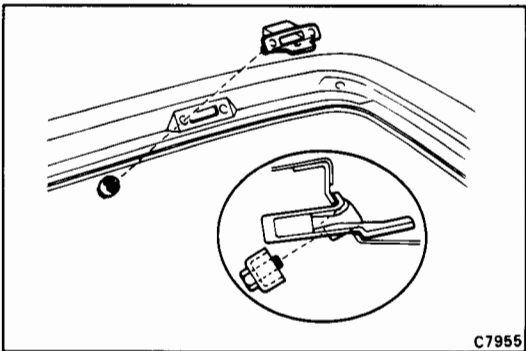
- (a) Remove the following parts:
  - Inner view mirror
  - Sun visors and holders
  - Assist grip
- (b) Pry out the clips of the front pillar garnish with a screwdriver and pull the garnish up to remove it.



- (c) Pry out the clips of the roof side rail garnish with a screwdriver.
- (d) Drop the front end of the headlining.



- (e) Remove the two bolts and the hinge case.



## ASSEMBLY OF SUN ROOF

(See page BO-50)

### 1. INSTALL REMOVABLE ROOF HINGE CASE

Torque: 35 kg-cm (30 in.-lb, 3.4 N·m)

NOTE:

- Make sure the seal is properly torqued.
- If any part of the seal is damaged, replace the seal and case.

### 2. INSTALL ROOF SIDE RAIL GARNISH

### 3. INSTALL FRONT PILLAR GARNISH

### 4. INSTALL FOLLOWING PARTS:

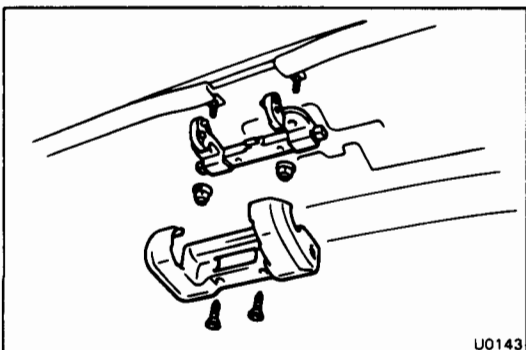
- Inner view mirror
- Sun visors and holders
- Assist grip

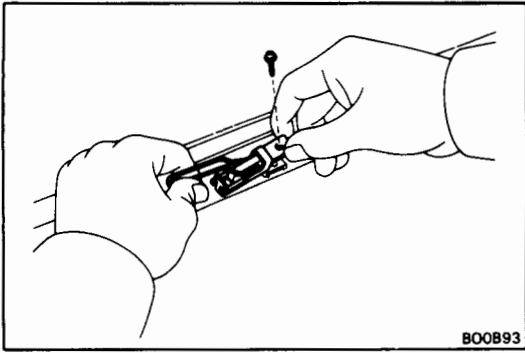
### 5. INSTALL REMOVABLE ROOF OPENING TRIM

### 6. INSTALL REMOVABLE ROOF LOCK BASE

- (a) Install the lock base with the two nuts.
- (b) Install the garnish with the two screws.

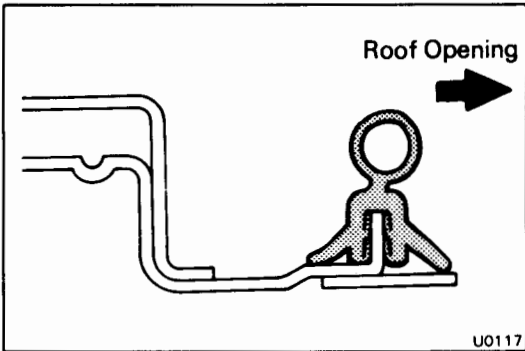
### 7. INSTALL WIND DEFLECTOR





BO0893

**8. INSTALL REMOVABLE ROOF AUXILIARY CATCH**



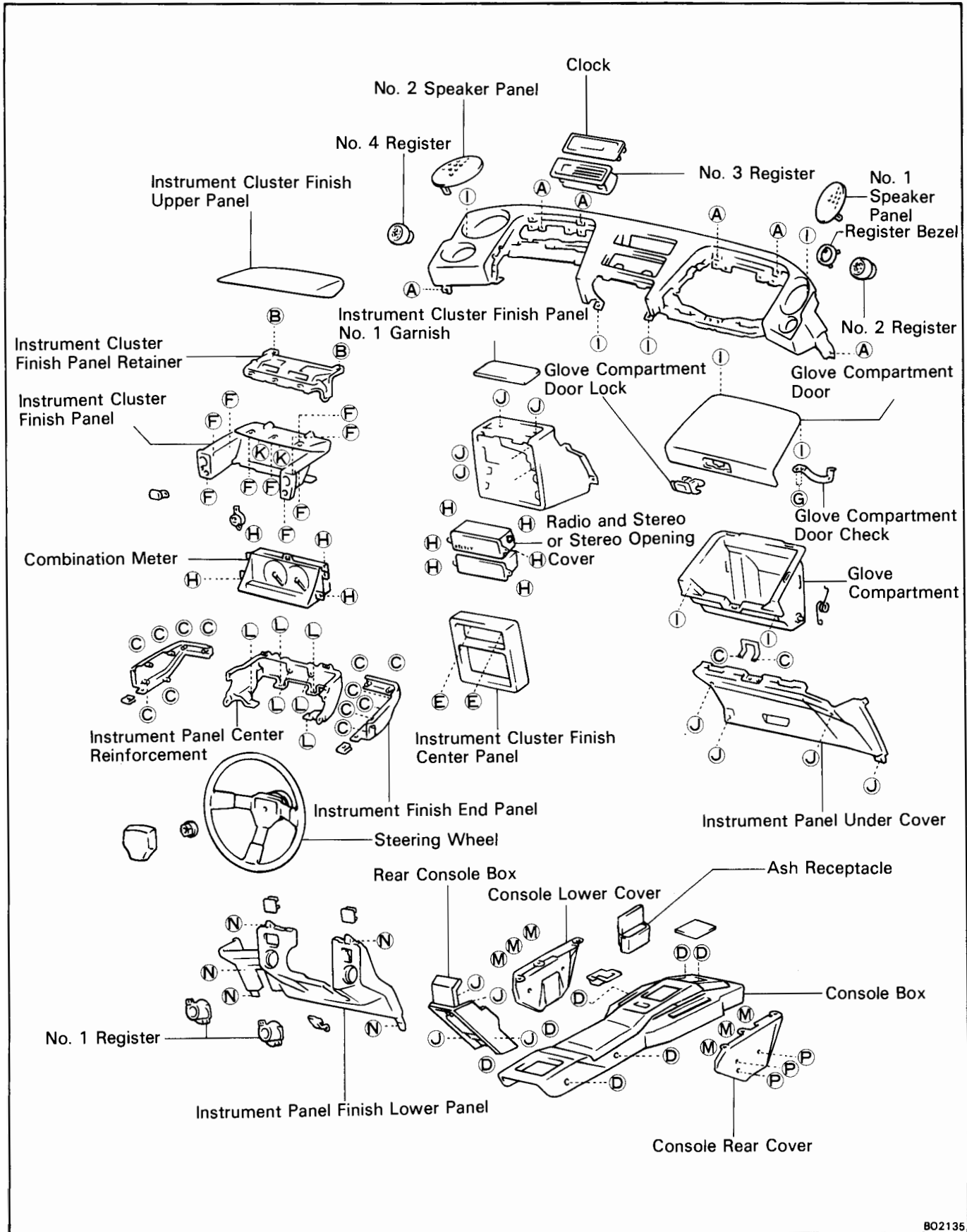
U0117

**9. INSTALL REMOVABLE ROOF INNER WEATHERSTRIP**

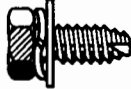




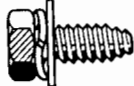
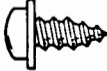

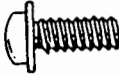






NOTE: Install the top of the weatherstrip so the top end enters the roof opening.

**10. INSTALL REMOVABLE ROOF WITH SUN SHADE**

# INSTRUMENT PANEL COMPONENTS



NOTE: Screw sizes are indicated by following the code use for removal and installation of the safety pad.

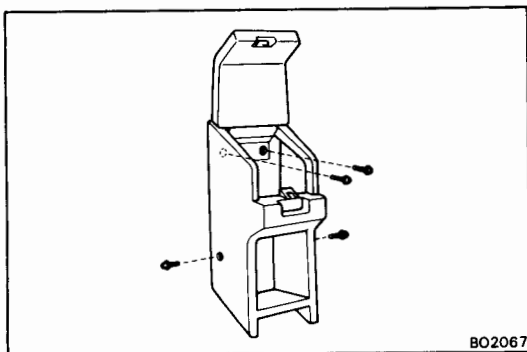
Code	Shape	Code	Shape	Code	Shape
A	 $\phi 6$ L=16	F	 $\phi 5$ L=12	K	 $\phi 5.22$ L=20
B	 $\phi 6$	G	 $\phi 5$ L=8	L	 $\phi 6$ L=16
C	 $\phi 5.22$ L=12	H	 $\phi 5$ L=18	M	 $\phi 5.22$ L=14
D	 $\phi 5.22$ L=14	I	 $\phi 5.22$ L=14	N	 $\phi 5.22$ L=16
E	 $\phi 5.22$ L=12	J	 $\phi 5.22$ L=16	P	 $\phi 6$ L=14

BO0892

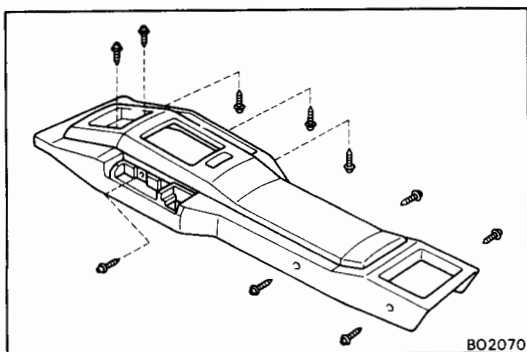
## REMOVAL OF INSTRUMENT PANEL

(See page BO-54)

1. DISCONNECT BATTERY CABLE FROM NEGATIVE TERMINAL
2. REMOVE STEERING WHEEL

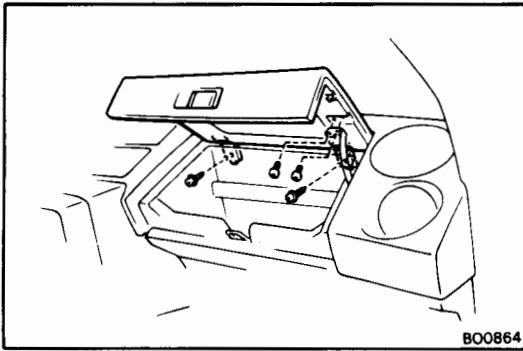


3. REMOVE REAR CONSOLE BOX

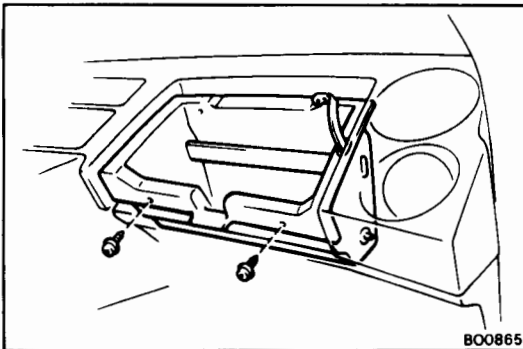
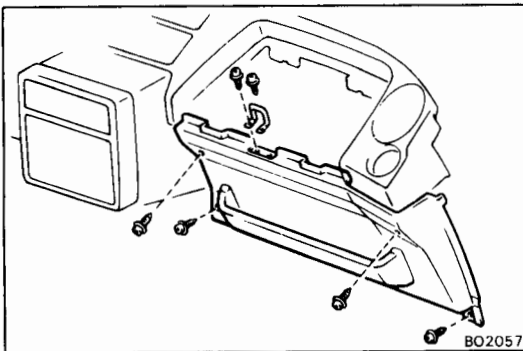


4. REMOVE CONSOLE BOX

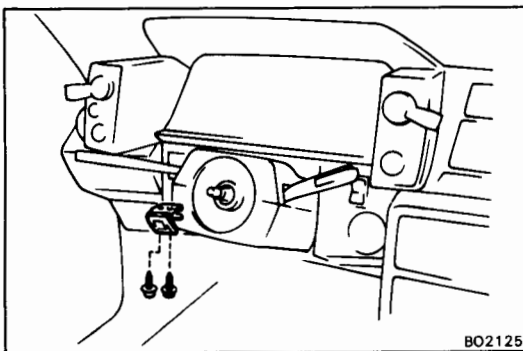
- (a) Set the parking brake lever.
- (b) Remove the shift lever knob. (M/T only)
- (c) Remove the ash receptacle.
- (d) Remove the ten screws.
- (e) With the backside of the console raised, remove the console.
- (f) Disconnect the connectors and remove the console box.

**5. REMOVE GLOVE COMPARTMENT DOOR**

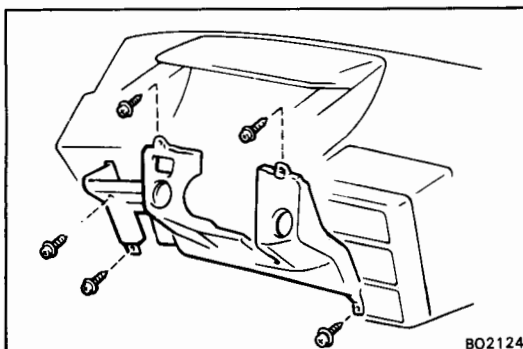
- (a) Remove the two door arm set screws.
- (b) Remove the two door check set screws and the door.

**6. REMOVE GLOVE COMPARTMENT****7. REMOVE INSTRUMENT PANEL UNDER COVER**

- (a) Remove the one screw from the scuff plate frontside.
- (b) Remove the cowl side trim board.
- (c) Remove the door lock striker.
- (d) Remove the four screws and the under cover.

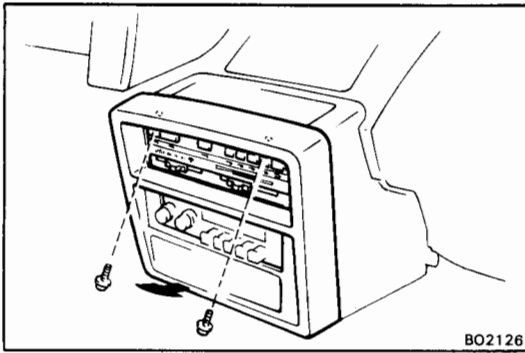
**8. REMOVE INSTRUMENT PANEL FINISH LOWER PANEL**

- (a) Remove the one screw from the scuff plate frontside.
- (b) Remove the cowl side trim board.
- (c) Remove the food lock lever.



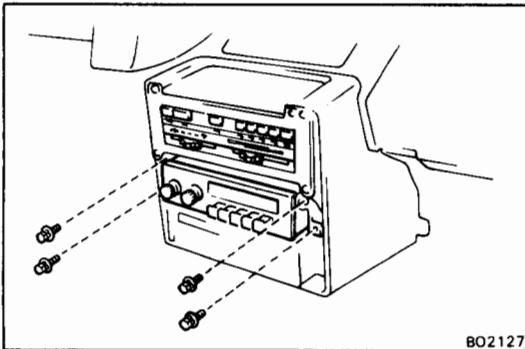
- (d) Remove the five screws and place in front of you.
- (e) Disconnect the connectors and remove the panel.





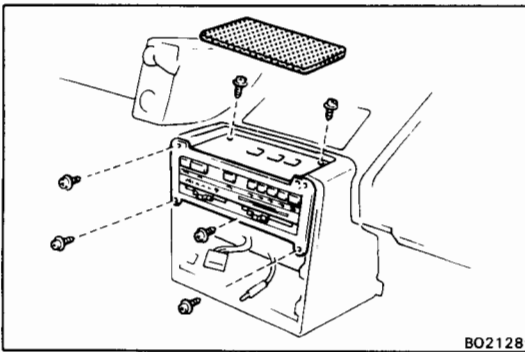
**9. REMOVE INSTRUMENT CLUSTER FINISH CENTER PANEL**

- (a) Remove the two screws.
- (b) Remove the panel from the lower side.

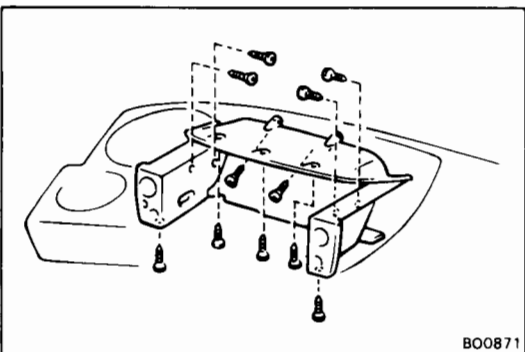


**10. REMOVE RADIO TUNER FINISH PANEL**

- (a) Remove the four screws.
- (b) Disconnect the connector and radio antenna cable, and remove the radio.

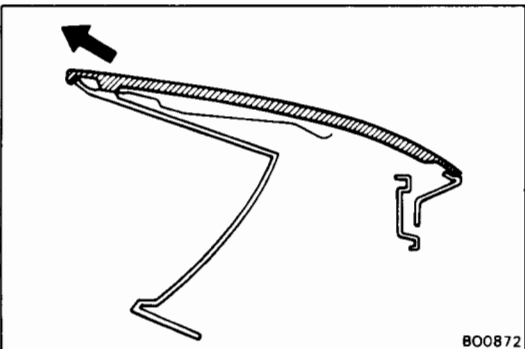


- (c) Remove the instrument cluster finish panel.
- (d) Remove the six screws and the radio tuner finish panel.

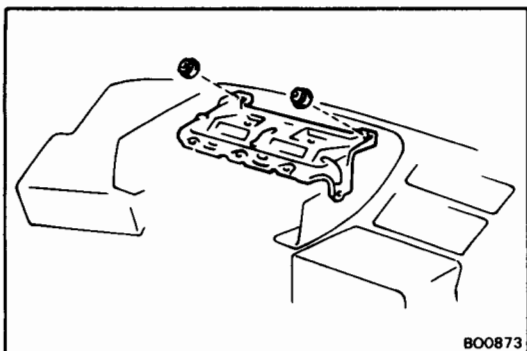


**11. REMOVE INSTRUMENT CLUSTER FINISH UPPER PANEL**

- (a) Remove the eleven screws.



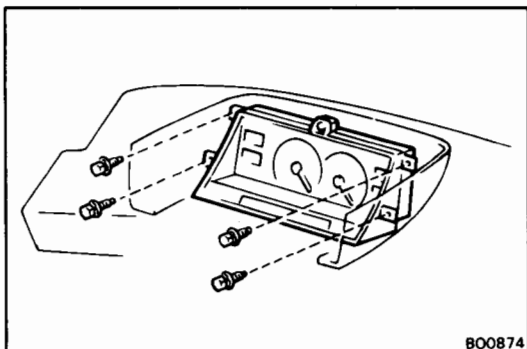
- (b) Remove the panel by pulling in diagonally upward.
- (c) Disconnect the connector (with Auto A/C).



**12. REMOVE INSTRUMENT CLUSTER FINISH PANEL RETAINER**

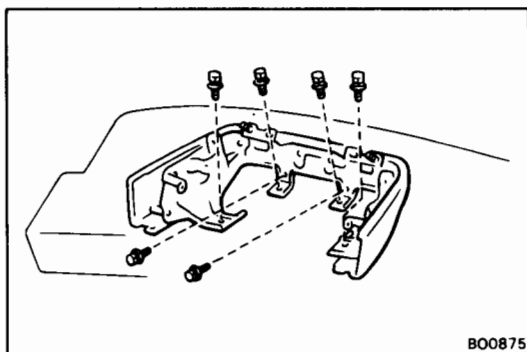
**13. REMOVE INSTRUMENT CLUSTER FINISH PANEL**

Pull the panel in front of you, disconnect the connector and remove it.



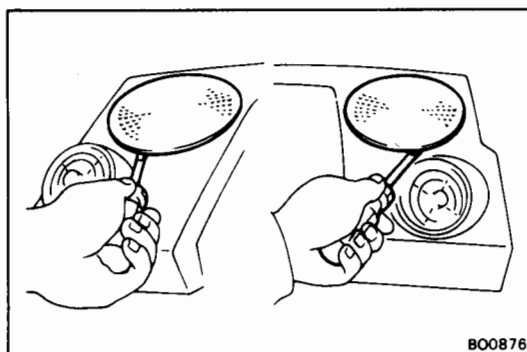
**14. REMOVE COMBINATION METER**

- (a) Remove the four screws.
- (b) Disconnect the speedometer cable.
- (c) Disconnect the connectors and remove the meter.



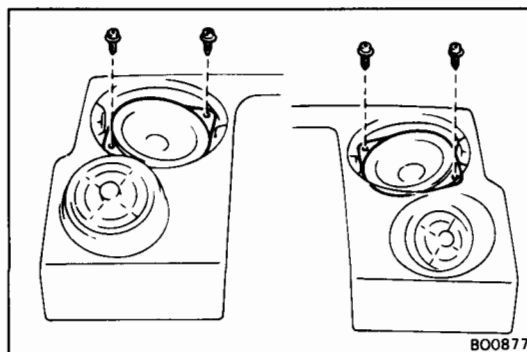
**15. REMOVE INSTRUMENT PANEL CENTER REINFORCEMENT WITH INSTRUMENT PANEL FINISH END**

- (a) Disconnect the wiring harness clamps.
- (b) Remove the six bolts and the reinforcement with the instrument panel.



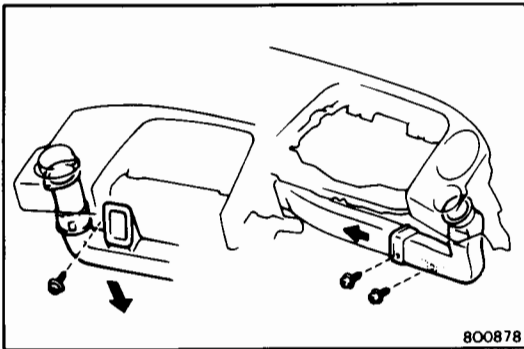
**16. REMOVE SPEAKER PANEL NO. 1 AND NO. 2**

Pry up the speaker panel No. 1 and No. 2.



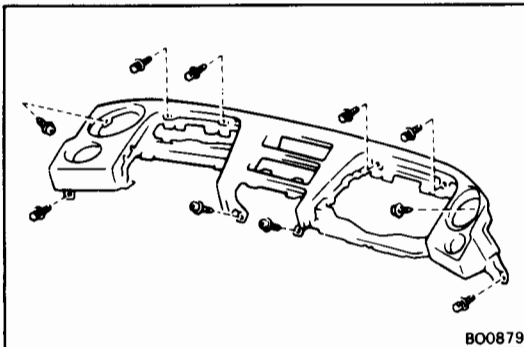
**17. REMOVE BOTH SIDE SPEAKERS**

- (a) Remove the four screws.
- (b) Pull out the speaker, disconnect the connector and remove the speakers.



**18. REMOVE INSTRUMENT PANEL SAFETY PAD**

- (a) Disconnect the two combination meter wiring harness clamps.
- (b) Remove the two screws and insert the heater to register duct No. 8 into the heater unit.
- (c) Remove the one screw and separate the heater to register duct No. 2 from the heater to register duct No. 1.
- (d) Remove the six bolts and the four screws.
- (e) Pull the safety pad in front of you, disconnect the clock connector and remove the safety pad.



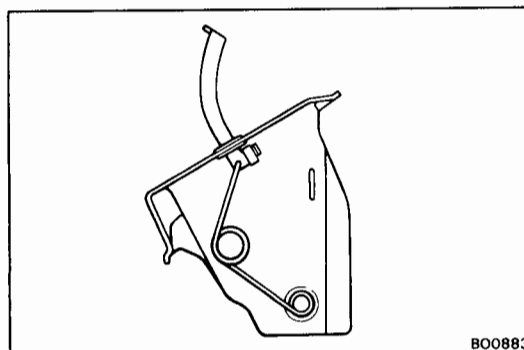
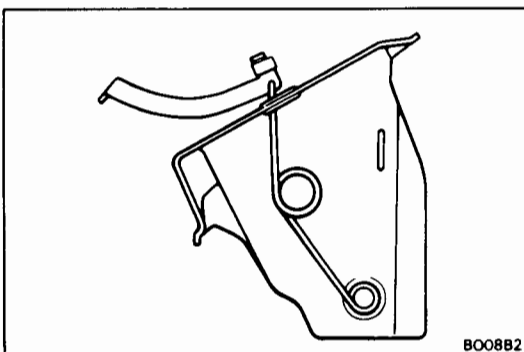
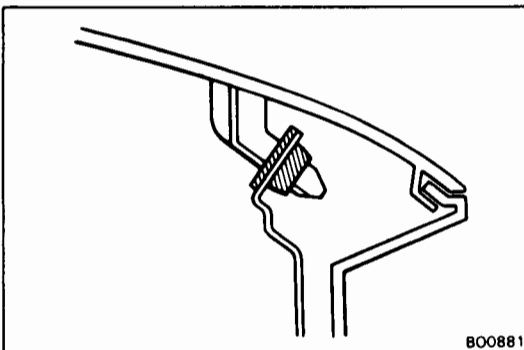
**INSTALLATION OF INSTRUMENT PANEL**

(See page BO-53)

**INSTALL PARTS OF INSTRUMENT PANEL IN REVERSE SEQUENCE OF REMOVAL**

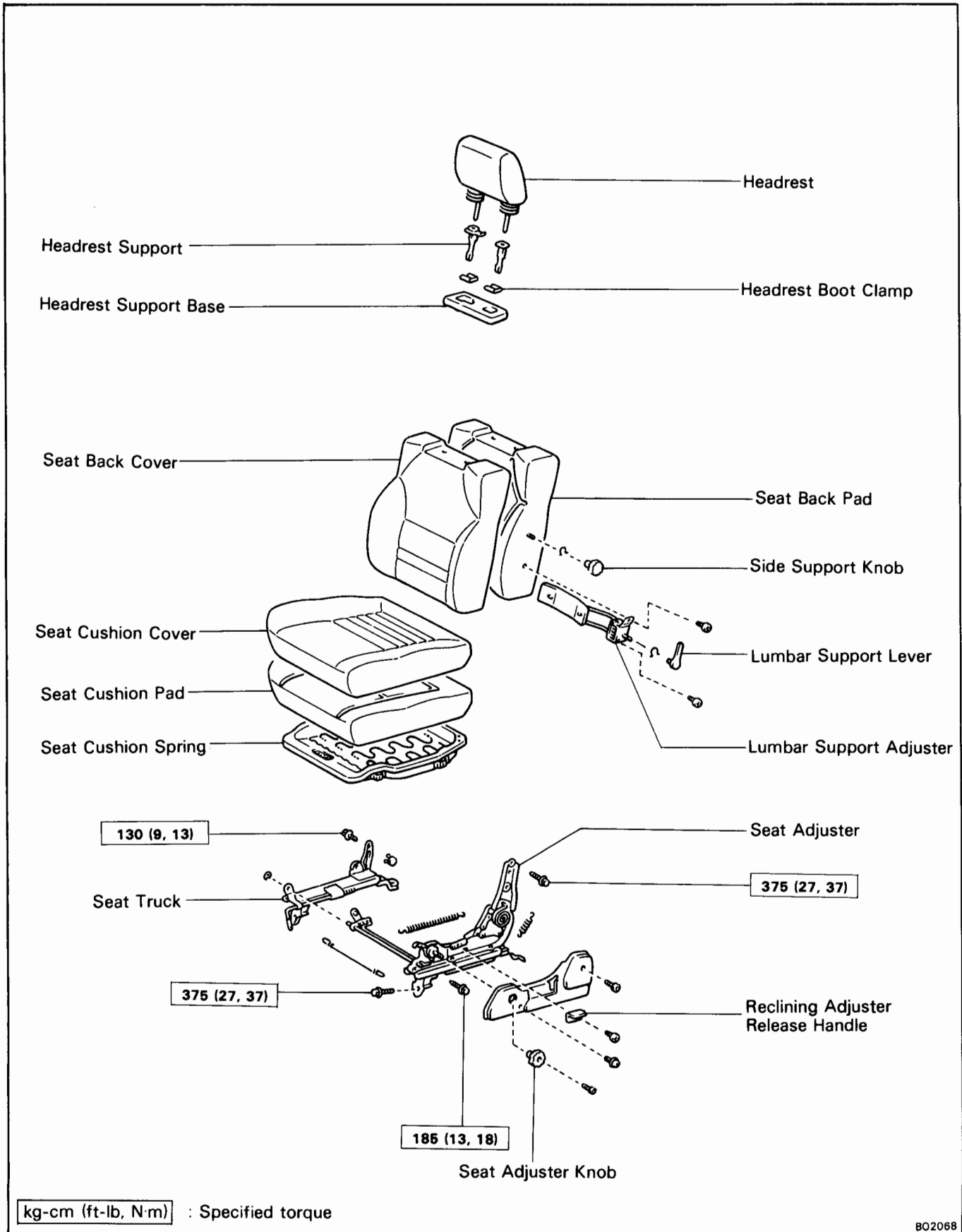
**NOTE:**

- Insert the both of instrument cluster finish upper panel into the hole of instrument panel center reinforcement. Match the seam of the instrument cluster finish upper panel with the instrument panel finish end panel head and insert.
- Install the glove compartment with the door check arm pulled out.

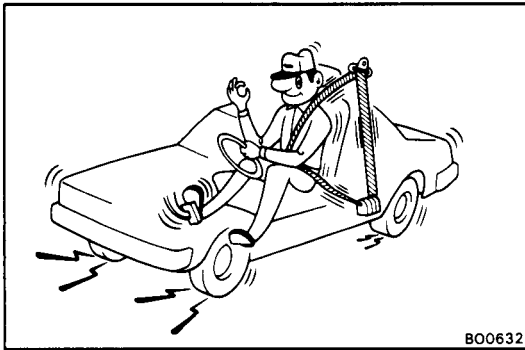
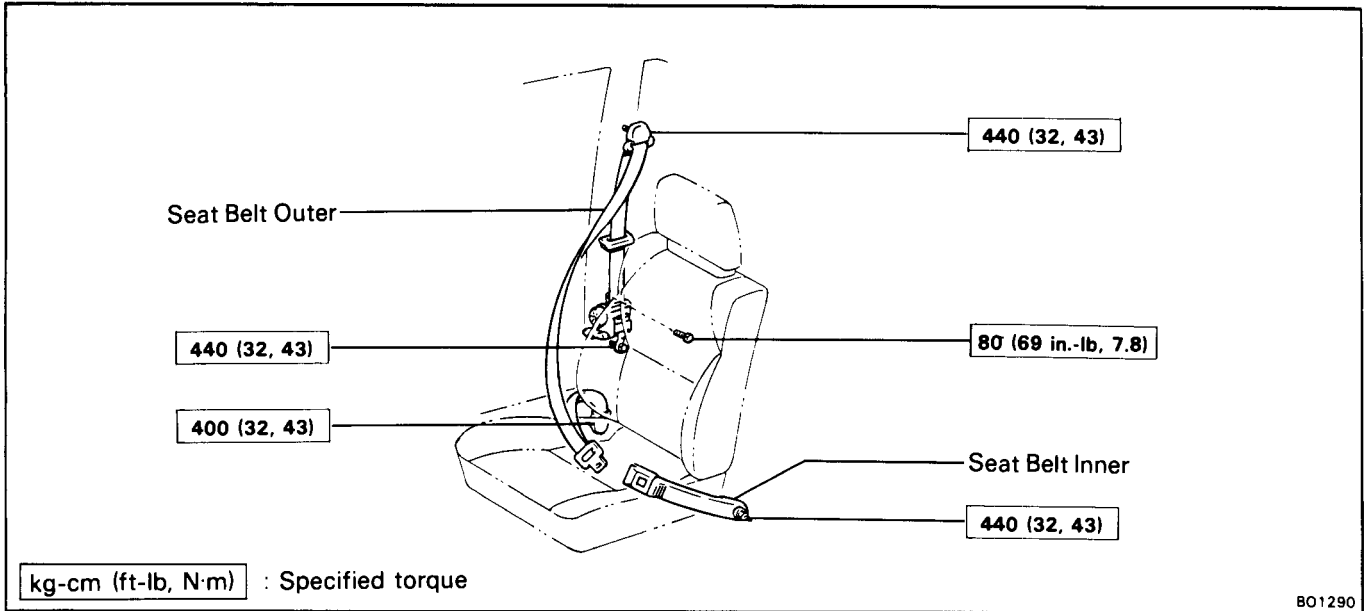


- Install the glove compartment door with the door check arm as shown in the figure.

# SEAT COMPONENTS



## SEAT BELT COMPONENTS

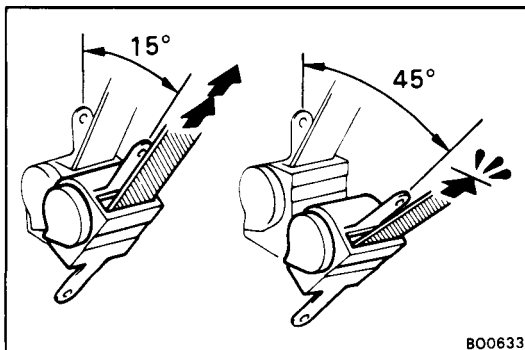


## SEAT BELT [Emergency Locking Retractor (ELR) Type]

### 1. RUNNING TEST (IN SAFE AREA)

- (a) Fasten the front seat belt.
- (b) Drive the car at 10 mph (16 km/h) and make a very hard stop.
- (c) Check that the belt is locked and cannot be extended at this time.

NOTE: Conduct this test in a safe area. If the belt does not lock, remove the belt mechanism assembly and conduct the following static check. Also, whenever installing a new belt assembly, verify the proper operation before installation.



### 2. STATIC TEST

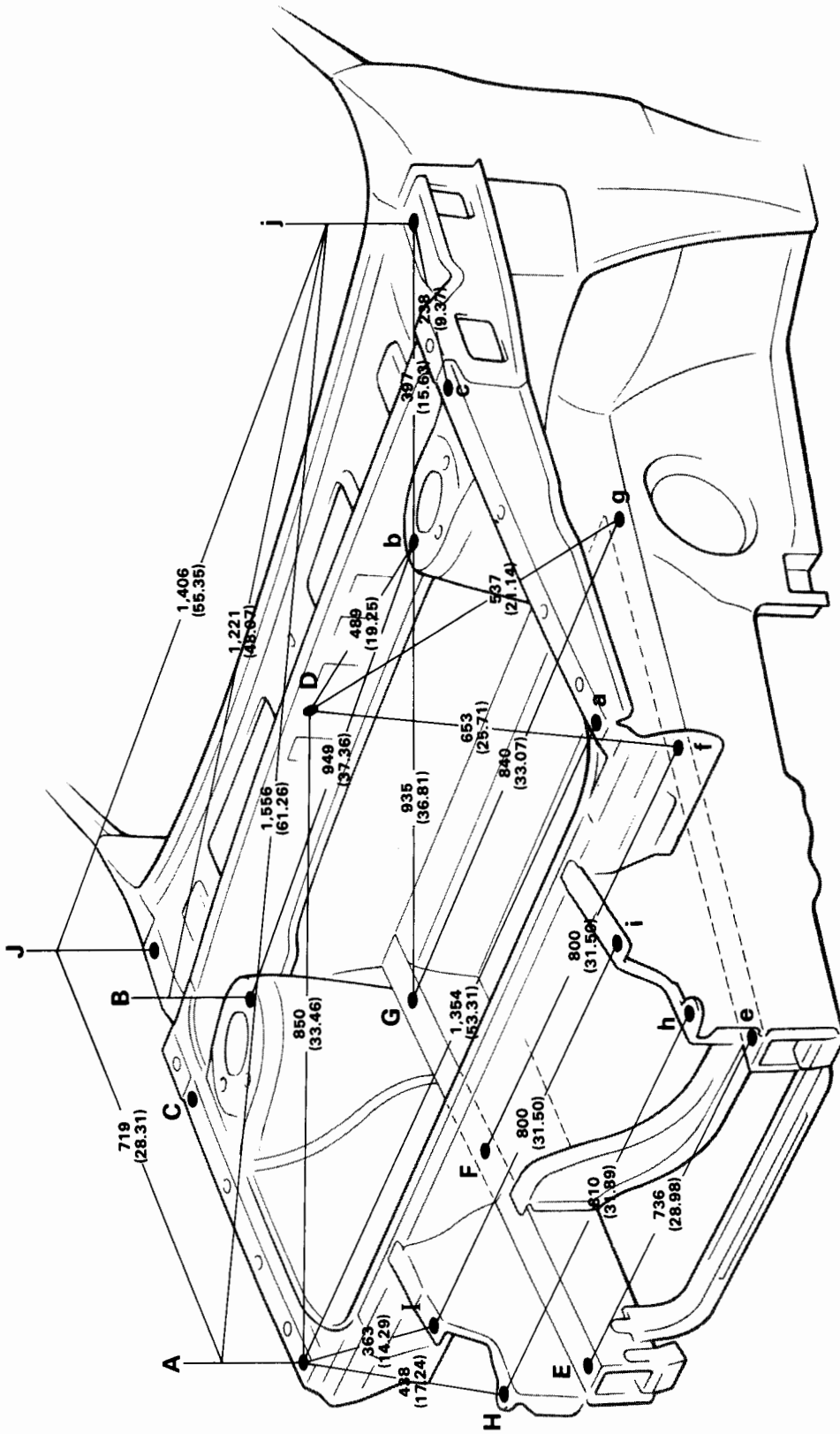
- (a) Remove the locking retractor assembly.
- (b) Tilt the retractor slowly.
- (c) Verify that the belt can be pulled out at a tilt of 15 degrees or less, and cannot be pulled out at over 45 degrees of tilt.

If a problem is found, replace the assembly.

## BODY DIMENSIONS

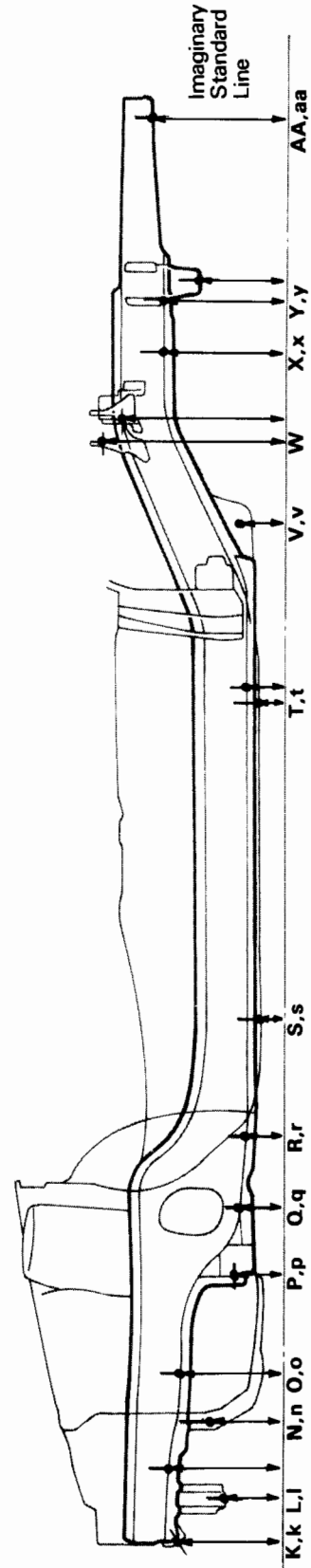
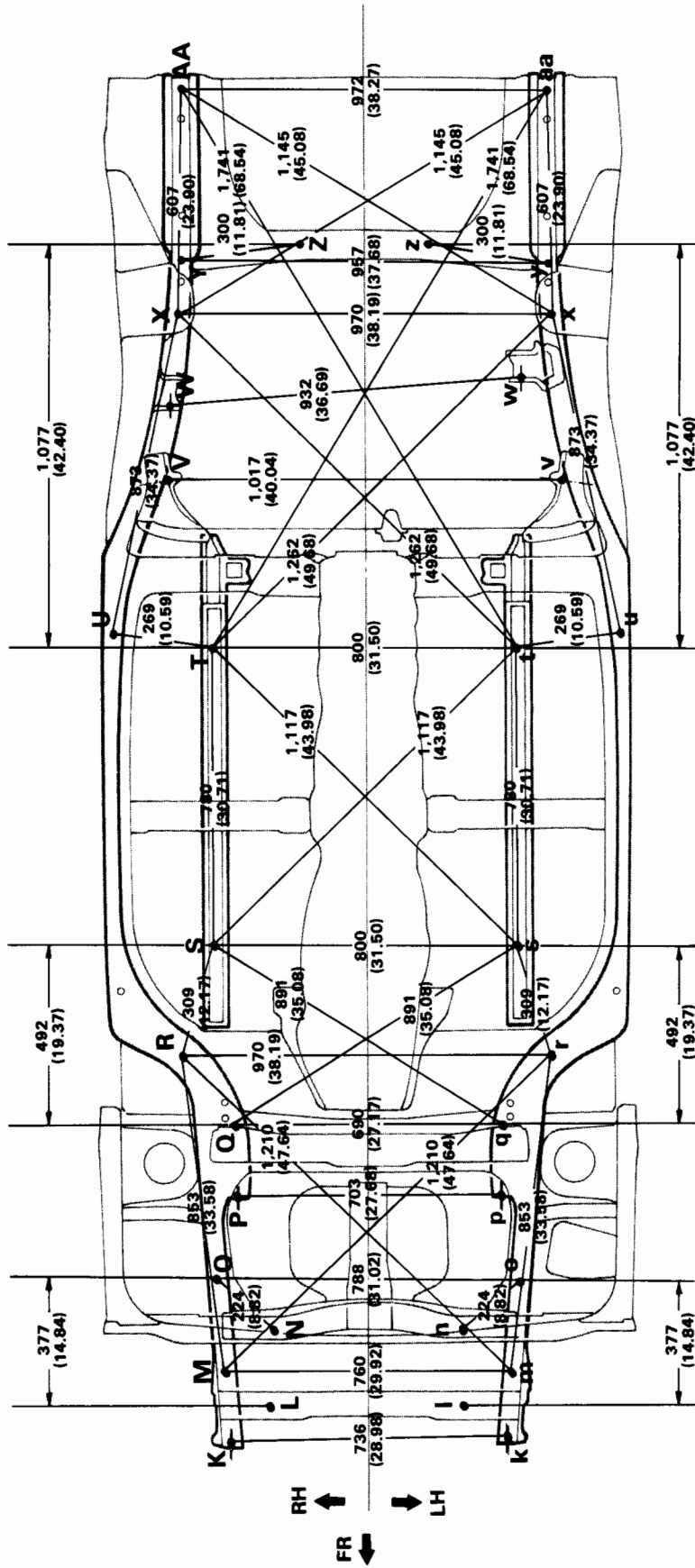
Symbol	Nomenclature	Hole dia. (mm).
A, a	Fender Installation Nut-Front	6 $\phi$
B, b	Front Spring Support Hole-Inner	9.5 $\phi$
C, c	Fender Installation Nut-Rear	6 $\phi$
D	Cowl Top Panel Center Mark	—
E, e	Front Side Member Bumper Installation Hole	RH 13 x 11 LH 11 $\phi$
F, f	Front Side Member Working Hole	15 $\phi$
G, g	Front Side Member Working Hole	15 $\phi$
H, h	Radiator Support Upper Installation Nut	6 $\phi$
I, i	Radiator Support Upper Installation Nut	6 $\phi$
J, j	Cowl Top Side Panel Standard Hole	9 $\phi$
K, k	Front Side Member Bumper Installation Nut	12 $\phi$
L, l	Front Crossmember Working Hole	13 $\phi$
M, m	Front Side Member Standard Hole	13 $\phi$
N, n	Strut Bar Bracket Installation Nut-Front Side Inner	10 $\phi$
O, o	Strut Bar Bracket Installation Nut-Rear Side Rear	10 $\phi$
P, p	Lower Arm Installation Hole	13 $\phi$
Q, q	Lower Control Link Support Installation Nut	10 $\phi$
R, r	Front Side Member Standard Hole	13 $\phi$
S, s	Front Floor Under Reinforcement Working Hole	15 $\phi$
T, t	Front Floor Under Reinforcement Working Hole	15 $\phi$
U, u	Rear Floor Side Member Standard Hole	13 $\phi$
V, v	Strut Bar Installation Hole-Inner	12 $\phi$
W, w	Engine Mounting Bracket Hole-Front	12.5 $\phi$
X, x	Rear Floor Side Member Standard Hole	13 $\phi$
Y, y	Rear Suspension Arm Bracket Installation Nut-Outer Side Rear	10 $\phi$
Z, z	Rear Suspension Arm Bracket Installation Nut-Inner	10 $\phi$
AA, aa	Rear Floor Side Member Bumper Installation Hole	13 $\phi$
BB	Upper Back Panel Center Mark	1.5R
CC, cc	Upper Back Panel Standard Hole	12 $\phi$
DD, dd	Rear Spring Support Hole-Front	9.5 $\phi$
EE, ee	Luggage Door Hinge Installation Hole	11 $\phi$
FF, ff	Trim Board Installation Hole	7 $\phi$
GG, gg	Rear Bumper Installation Hole	RH 18 x 11 LH 18 x 15

Front Body



The dimensions in the following drawing indicates actual distance. Therefore, please use the dimensions as a reference.

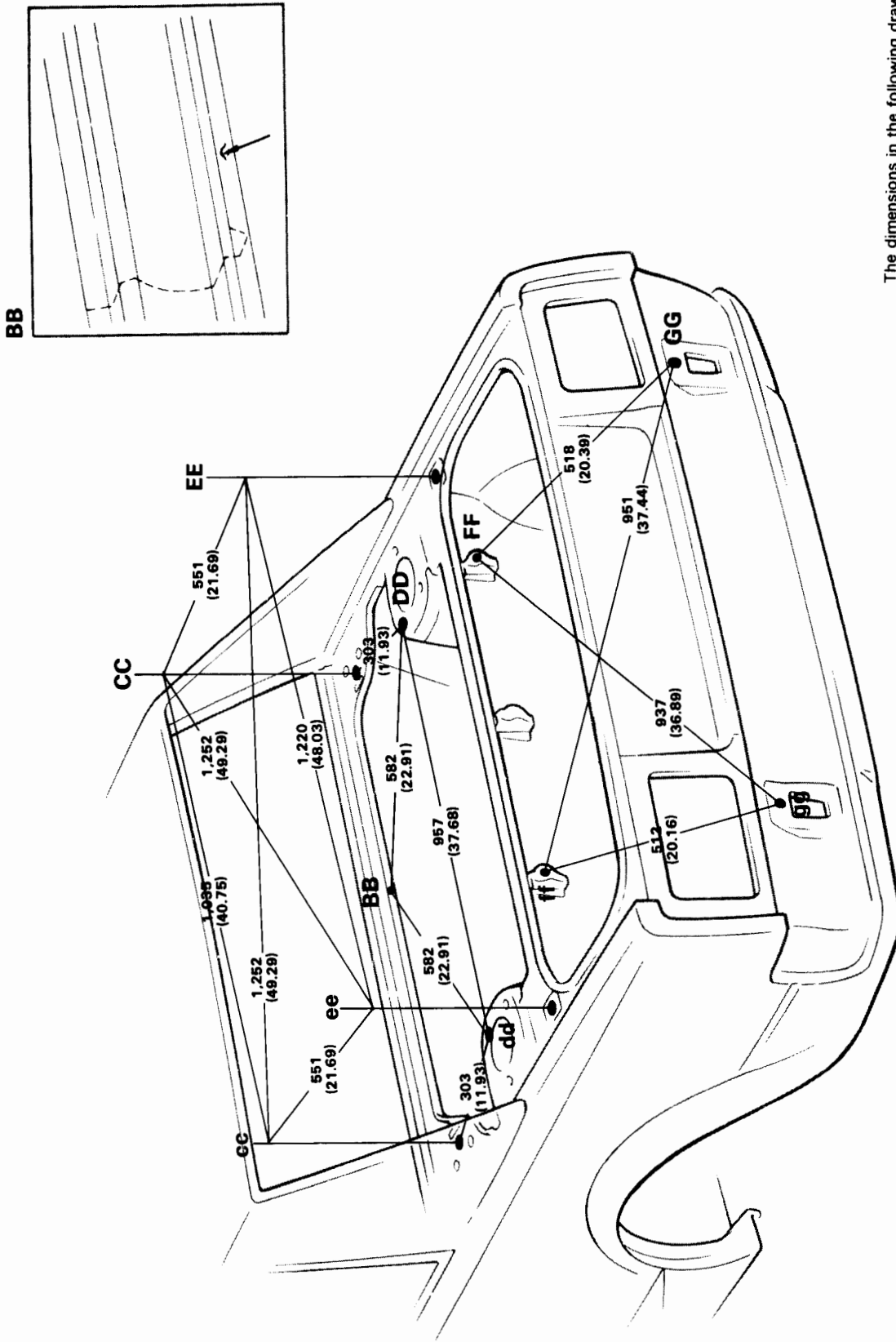
Under Body



Coordinate Point	Dimension (mm)	Dimension (in.)
K, k	293	(11.54)
L, l	143	(5.63)
M, m	295	(11.61)
N, n	192	(7.56)
O, o	268	(10.55)
P, p	130	(5.12)
Q, q	113	(4.45)
R, r	106	(4.17)
S, s	68	(2.68)
T, t	68	(2.68)
U, u	96	(3.78)
V, v	154	(6.06)
W, w	469	(18.46)
X, x	300	(11.81)
Y, y	409	(16.10)
Z, z	214	(8.43)
AA, aa	327	(12.87)



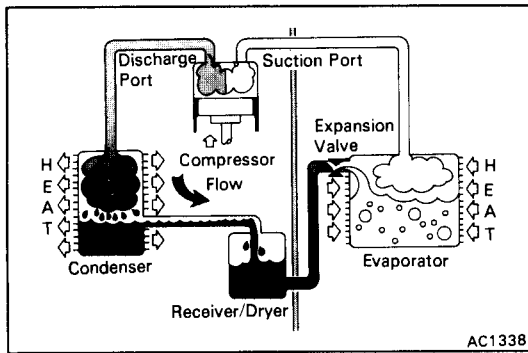
Rear Body



The dimensions in the following drawing indicates actual distance. Therefore, please use the dimensions as a reference.

# AIR CONDITIONING SYSTEM

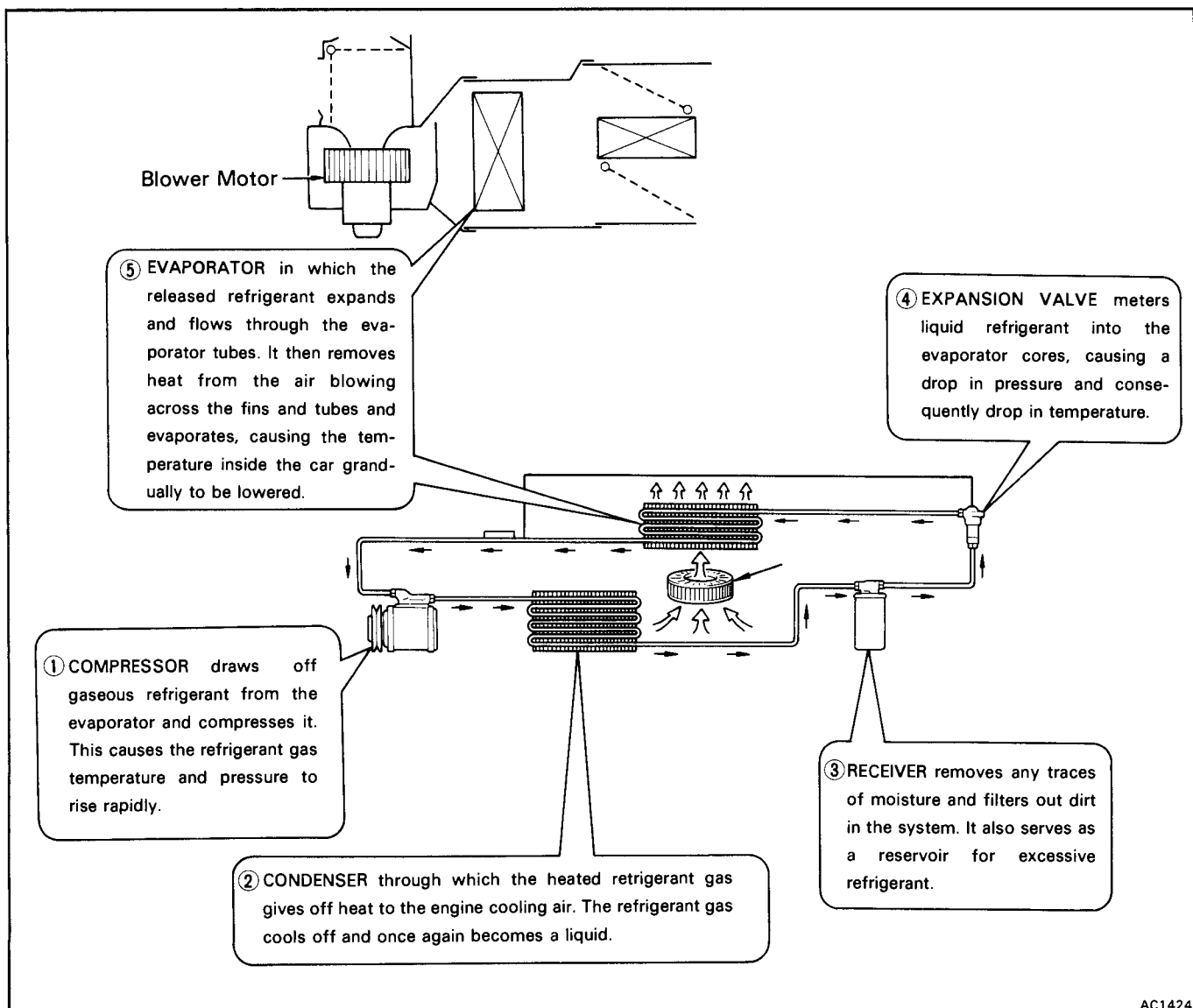
	Page
GENERAL DESCRIPTION .....	AC-2
AIR CONDITIONING SYSTEM CIRCUIT .....	AC-4
SYSTEM COMPONENTS .....	AC-7
PRECAUTIONS .....	AC-8
SPECIAL TOOLS AND EQUIPMENT .....	AC-8
TROUBLESHOOTING .....	AC-9
Checking of Refrigeration System with Manifold Gauge .....	AC-10
ON-VEHICLE INSPECTION .....	AC-13
REFRIGERATION SYSTEM .....	AC-14
Checking of Refrigerant Charge .....	AC-14
Installation of Manifold Gauge Set .....	AC-14
COMPRESSOR .....	AC-15
RECEIVER .....	AC-30
CONDENSER .....	AC-31
CONDENSER FAN MOTOR .....	AC-32
A/C RELAYS .....	AC-33
PRESSURE SWITCH .....	AC-34
WATER TEMPERATURE SENSOR .....	AC-34
COOLING UNIT .....	AC-35
Evaporator .....	AC-37
REFRIGERANT LINES .....	AC-38
THERMISTOR .....	AC-39
A/C SWITCH .....	AC-39
AIR CONDITIONER AMPLIFIER .....	AC-40
VACUUM SWITCHING VALVE (VSV) .....	AC-42



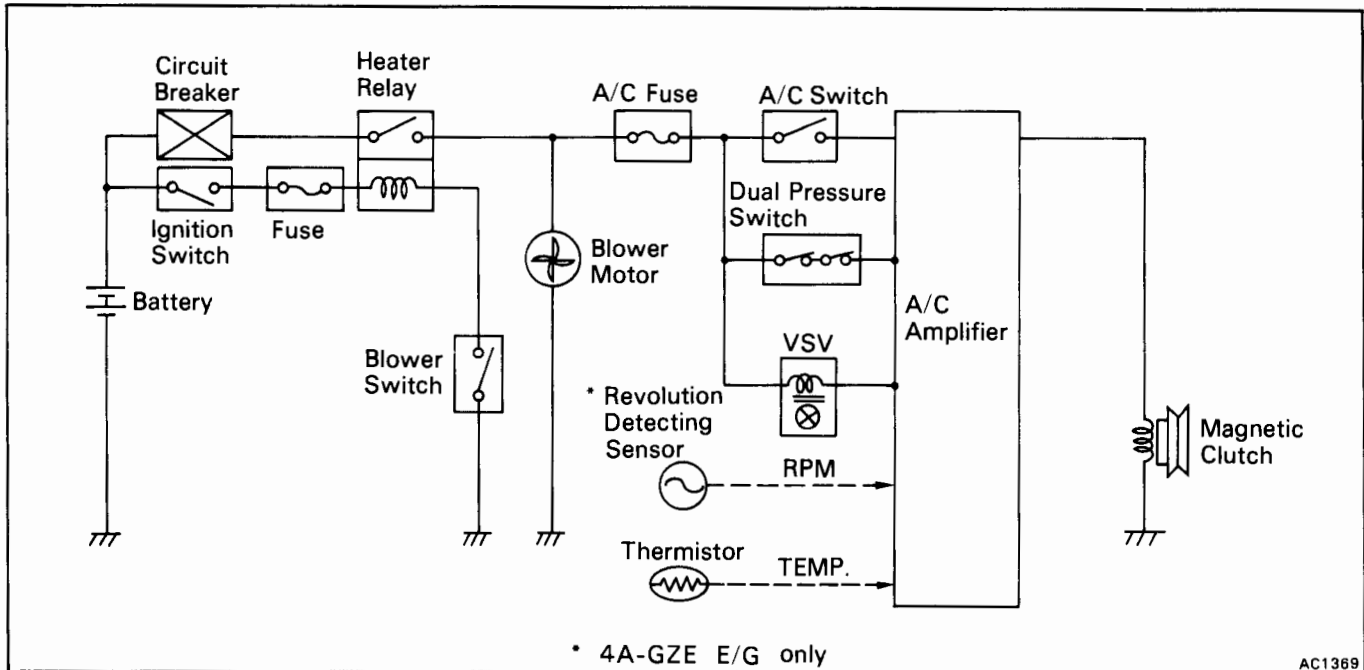
## GENERAL DESCRIPTION

### REFRIGERATION CYCLE

1. The compressor discharges high temperature and high pressure refrigerant that contains the heat absorbed from the evaporator plus the heat created by the compressor in a discharge stroke.
2. This gaseous refrigerant flows into the condenser. In the condenser, the gaseous refrigerant condenses into liquid refrigerant.
3. This liquid refrigerant flows into the receiver which stores and filters the liquid refrigerant till the evaporator requires the refrigerant.
4. By the valve, the liquid refrigerant changes into low temperature, low pressure liquid and gaseous mixture.
5. This cold and foggy refrigerant flows to the evaporator. Vaporizing the liquid in the evaporator, the heat from the warm air stream passing through the evaporator core is transferred to the refrigerant. All the liquid change into the gaseous refrigerant in the evaporator and only heat-laden gaseous refrigerant is drawn into the compressor. Then, the process is repeated again.



**1. PRINCIPLE OF A/C ELECTRICAL CIRCUIT**



**2. HOW MAGNETIC CLUTCH BE ENERGIZED?**

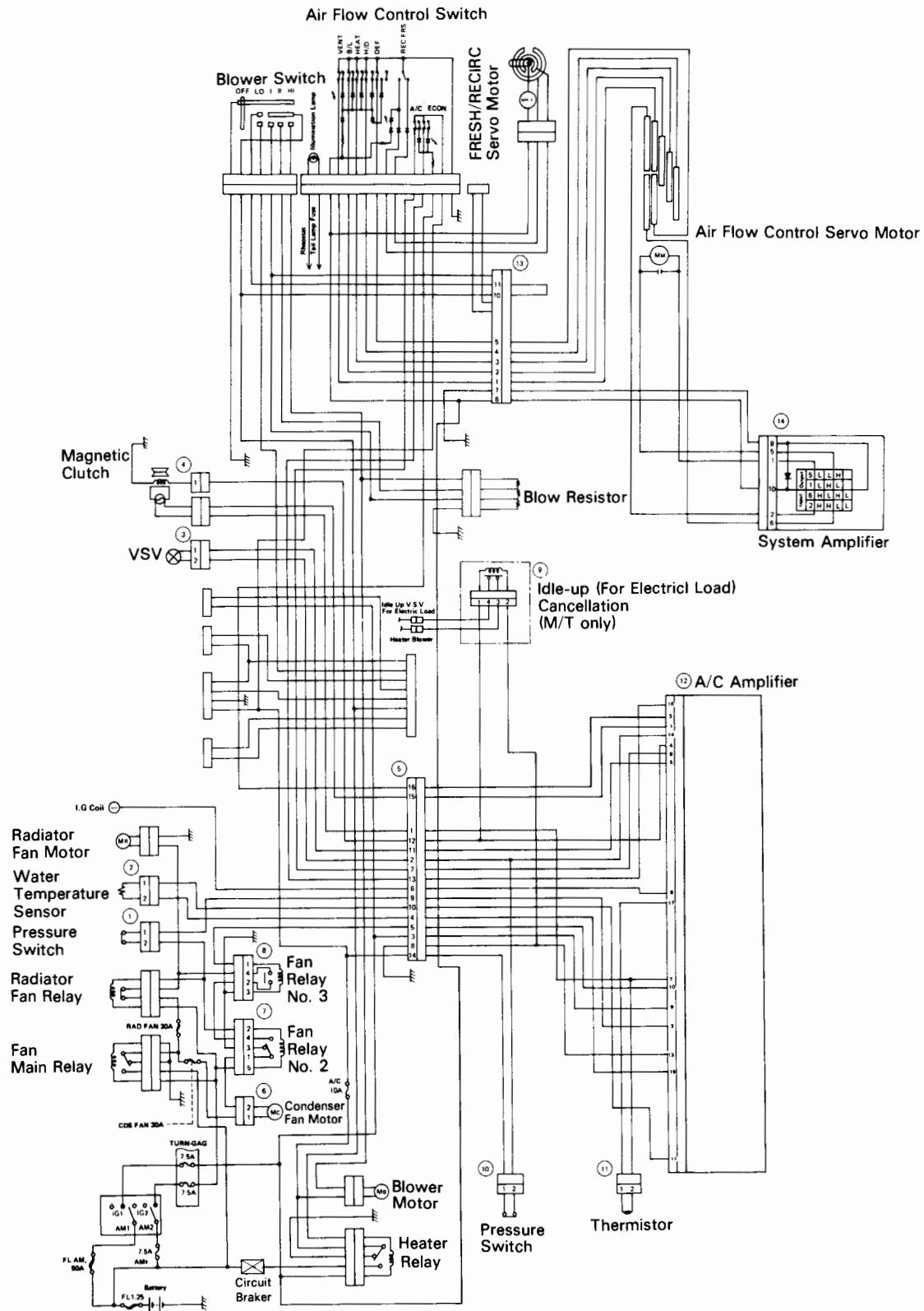
The general process until magnetic clutch is energized is shown below.

- ① Ignition Switch "ON"
- ② Blower Switch "ON" → Heater Relay "ON" (Blower Motor "RUN")
- ③ A/C Switch "ON" → A/C amplifier "ON" (A/C Amp. Main Power Supply)
- ④ Dual Pressure Switch "ON":  
Refrigerant Condition (2.1 kg/cm<sup>2</sup> (30 psi, 206 kPa) less than 27 kg/cm<sup>2</sup> (384 psi, 2648 kPa)
- ⑤ Thermistor supplies temperature of evaporator to A/C amplifier.
- ⑥ VSV "ON" → E/G Idle Up
- ⑦ A/C amplifier Turns on Magnetic Clutch
- ⑧ Magnetic Clutch "ON"
- ⑨ Revolution Detecting Sensor supplies RPM of compressor to A/C amplifier. If compressor is not locked, magnetic clutch is continuously energized.



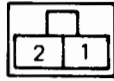
# AIR CONDITIONING SYSTEM CIRCUIT (Cont'd)

4A-GZE ENGINE



# Connectors

1



2



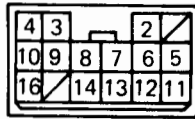
3



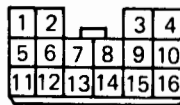
4



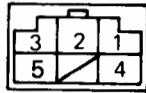
5



6



7



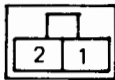
8



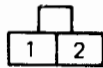
9



10

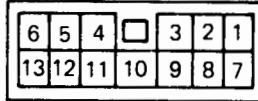
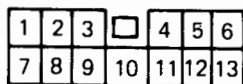


11

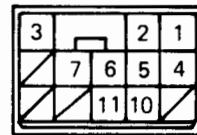


12

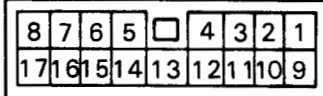
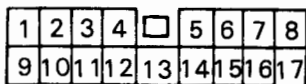
(4A-GE E/G)



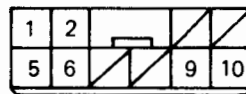
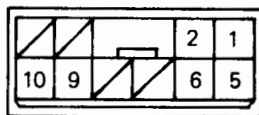
13



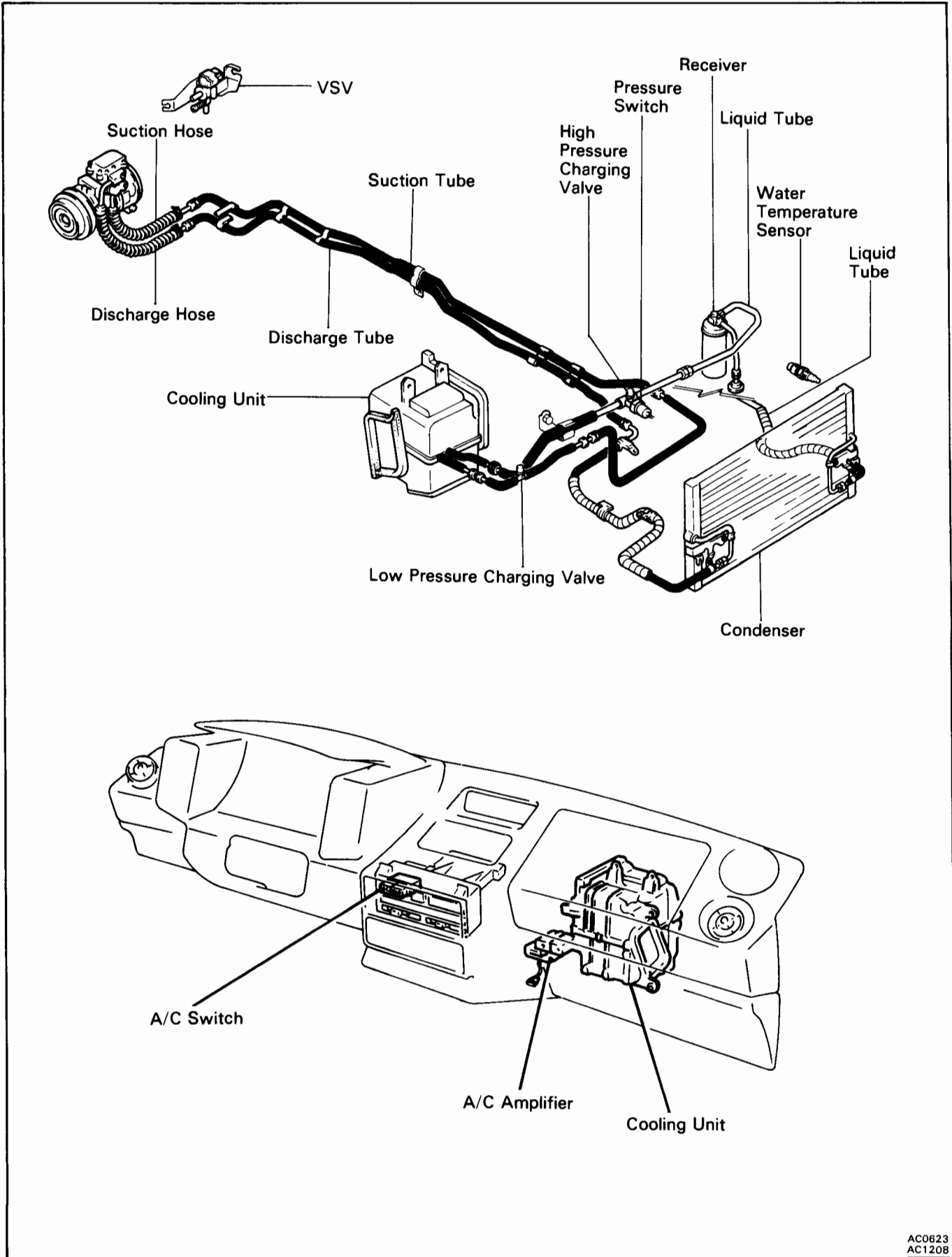
(4A-GZE E/G)



14



# SYSTEM COMPONENTS





## PRECAUTIONS

1. **When handling refrigerant (R-12), the following precautions should be observed:**
  - (a) Always wear eye protection.
  - (b) Keep the refrigerant container (service drum) below 40°C (104°F).
  - (c) Do not handle refrigerant in an enclosed area where there is an open flame.
  - (d) Discharge refrigerant slowly when purging the system.
  - (e) Be careful that the liquid refrigerant does not get on your skin.
  
2. **If liquid refrigerant gets in the eyes or on the skin:**
  - (a) Do not rub eyes or skin.
  - (b) Wash the area with a lot of cool water.
  - (c) Apply clean petroleum jelly to the skin.
  - (d) Rush to a physician or hospital for immediate professional treatment.
  - (e) Do not attempt to treat yourself.
  
3. **When tubing:**
  - (a) Apply a few drops compressor oil onto the O-ring fittings.
  - (b) Tighten the nut using two wrenches to avoid twisting the tube.
  - (c) Tighten the O-ring fitting to the specified torque.

Torque specification for O-ring fittings and bolted type fitting

Fitting size	Torque
0.31 in. Tube	135 kg-cm (10 ft-lb, 13 N·m)
0.50 in. Tube	235 kg-cm (17 ft-lb, 23 N·m)
0.62 in. Tube	325 kg-cm (24 ft-lb, 32 N·m)
Bolted Type (For Compressor)	250 kg-cm (18 ft-lb, 25 N·m)

## SPECIAL TOOLS AND EQUIPMENT

Tool	SST No.	Use
Manifold gauge set	07710-58011	To evacuate and charge system
Ohmmeter	—	To perform electrical diagnosis
Voltage meter	—	To perform electrical diagnosis
Ammeter	—	To perform electrical diagnosis
Magnetic clutch tool set	07110-77011	Includes the following 8 tools
Pressure plate remover	07112-71010	To remove pressure plate
Snap ring pliers	07114-84020	To remove and install rotor and stator
Key remover	07112-45021	To remove key
Shaft plate remover	07112-15010	To remove shaft plate
Shaft seal remover	07114-15010	To remove and install shaft seal
Hexagon wrench set	07110-61050	To remove and install service valve and front housing
Shaft plate installing tool	07112-25010	To install shaft plate
Key press tool	07114-45010	To install key

## TROUBLESHOOTING

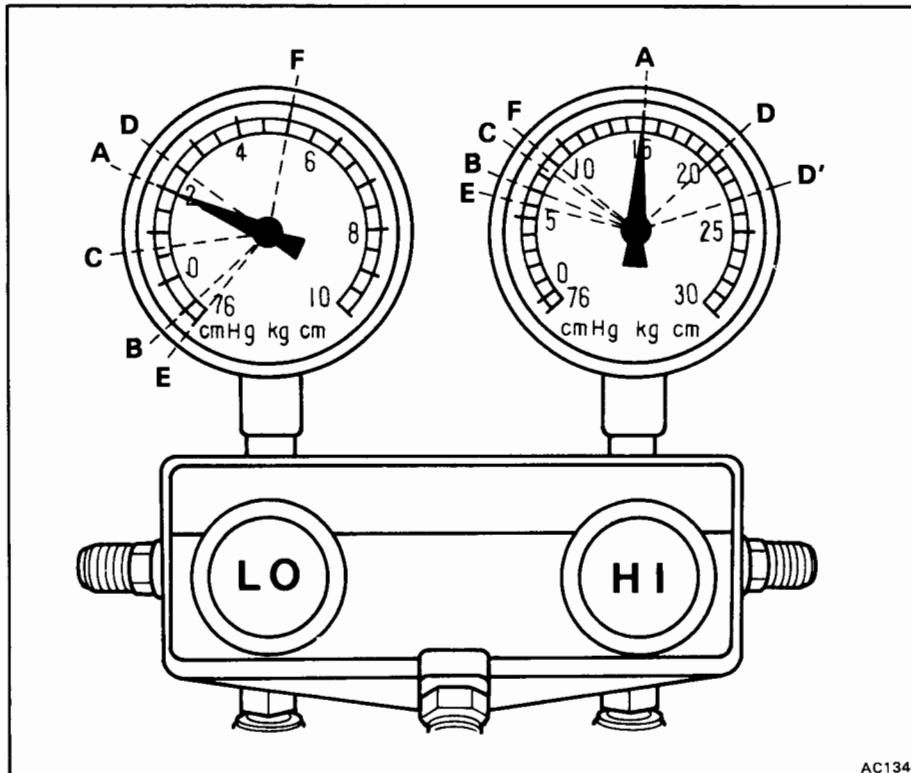
Problem	Possible causes	Remedy	Page
No blower operation	Blown fuse	Replace	AC-4, 5
	Defective blower motor	Check and repair	
	Defective blower relay	Check operation	AC-4, 5
	Defective blower switch	Check for short or open circuit	BE-35
	Blown blower resistor	Replace	BE-36
	Defective wiring connection	Check and repair	AC-4, 5
No blower control	Blown blower resistor	Replace	
	Defective blower switch	Check for short or open circuit	BE-35
	Defective servo motor	Check operation	BE-37
	Defective blower control relay	Check operation	AC-4, 5
	Defective system amplifier	Replace amplifier and recheck	
	Defective A/C amplifier	Check operation	AC-41, 42
	Defective wiring connection	Check and repair	AC-4, 5
Interior temperature does not drop	Blown fuse	Replace	AC-4, 5
	Defective magnetic clutch	Check and repair	AC-15
	Defective compressor	Check and repair	AC-15
	Defective pressure switch	Replace	AC-35
	Insufficient refrigerant in system	Check discharge refrigeration system	AC-14
	Defective A/C switch	Check for short or open circuit	AC-40
	Defective servo motor	Check operation	BE-37
	Defective system amplifier	Replace amplifier and recheck	
	Defective A/C amplifier	Check operation	AC-41, 42
	Defective wiring connection	Check and repair	AC-4, 5
	Defective water valve	Check for leak and repair	
	Interior temperature does not rise	Defective water valve	Check operation
Defective servo motor		Check operation	BE-37
Defective system amplifier		Replace amplifier and recheck	
Defective A/C amplifier		Check operation	AC-41, 42
Defective wiring connection		Check and repair	AC-4, 5
Unstable operation (fluctuating)	Defective servo motor	Check operation	BE-37
	Defective system amplifier	Replace amplifier and recheck	
	Defective A/C amplifier	Check operation	AC-41, 42
	Defective wiring connection	Check and repair	AC-4, 5

## Checking of Refrigeration System with Manifold Gauge

This is a method in which the trouble is located by using a manifold gauge. Read the manifold gauge pressure with the following established conditions:

- Temperature at the air inlet is 30 – 35°C (86 – 95°F)
- Engine running at 2,000 rpm
- Blower speed set at high
- Temperature control lever set at cool

NOTE: It should be noted that the gauge indications may vary slightly due to ambient temperature conditions.



### NORMALLY FUNCTIONING REFRIGERATION SYSTEM

Gauge reading:

Low pressure side  
1.5 – 2.0 kg/cm<sup>2</sup>  
(21 – 28 psi)  
147 – 196 kPa

High pressure side  
14.5 – 15.0 kg/cm<sup>2</sup>  
(206 – 213 psi)  
1422 – 1471 kPa

Each pointer of manifold gauge points: A position

AC1347

No.	Trouble	Condition	Pointers Position
1	Moisture present in refrigerant system	Periodically cools and then fails to cool	Between A and B
2	Insufficient refrigerant	Insufficient cooling	C
3	Poor circulation of refrigerant	Insufficient cooling	C
4	Refrigerant overcharge or insufficient cooling of condenser	Does not cool sufficiently	D
5	Expansion valve improperly mounted heat sensing tube defective (Opens too wide)	Insufficient cooling	D
6	Air present in refrigeration system	Does not cool sufficiently	Low is D High is D'
7	Refrigerant does not circulate	Does not cool (Cools from time to time in some cases)	E
8	Insufficient compressor	Does not cool	F

## Checking of Refrigeration System with Manifold Gauge (Cont'd)

No.	Symptom seen in refrigeration system	Probable cause	Diagnosis	Remedy
1	During operation, pressure at low pressure side sometimes becomes a vacuum and sometimes normal	Moisture entered in refrigeration system freezes at expansion valve orifice and temporarily stops cycle, but normal state is restored after a time when the ice melts	Drier in oversaturated state ↓ Moisture in refrigeration system freezes at expansion valve orifice and blocks circulation of refrigerant	(1) Replace receiver and drier (2) Remove moisture in cycle through repeated vacuum purging (3) Charge refrigerant to proper amount
2	Pressure low at both low and high pressure sides  Bubbles seen in sight glass Insufficient cooling performance	Gas leakage at some place in refrigeration system	Insufficient refrigerant in system  ↓ Refrigerant leaking	(1) Check with leak detector and repair (2) Charge refrigerant to proper amount
3	Pressure low at both low and high pressure sides  Frost on tubes from receiver to unit	Refrigerant flow obstructed by dirt in receiver	Receiver clogged	Replace receiver
4	Pressure too high at both low and high pressure sides	Unable to develop sufficient performance due to excessive refrigerant in system  Condenser cooling insufficient	Excessive refrigerant in cycle→refrigerant overcharged  Condenser cooling insufficient→condenser fins clogged or fan motor faulty	(1) Clean condenser (2) Check fan motor operation  (3) If (1) and (2) are normal, check refrigerant amount  NOTE: Vent out refrigerant through gauge manifold low pressure side by gradually opening valve.
5	Pressure too high at both low and high pressure sides  Frost or large amount of dew on piping at low pressure side	Trouble in expansion valve or heat sensing tube not installed correctly  Refrigerant flow out	Excessive refrigerant in low pressure piping ↓ Expansion valve opened too wide	(1) Check heat sensing tube installed condition (2) If (1) is normal, test expansion valve in unit Replace if defective
6	Pressure too high at both low and high pressure sides	Air entered refrigeration system	Air present in refrigeration system  ↓ Insufficient vacuum purging	(1) Replace receiver and drier (2) Check compressor oil to see if dirty or insufficient (3) Vacuum purge and charge new refrigerant

\* NOTE at No. 6

These gauge indications are shown when the refrigeration system has been opened and the refrigerant charged without vacuum purging.

## Checking of Refrigeration System with Manifold Gauge (Cont'd)

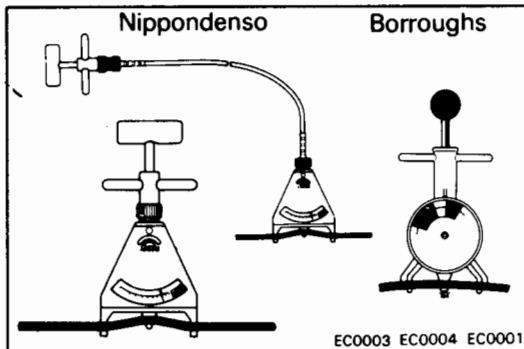
No.	Symptom seen in refrigeration system	Probable cause	Diagnosis	Remedy
7	<p>Vacuum indicated at low pressure side, very low pressure indicated at high pressure side</p> <p>Frost or dew seen on piping before and after receiver and drier or expansion valve</p>	<p>Refrigerant flow obstructed by moisture or dirt in refrigerant freezing or adhering to expansion valve orifice</p> <p>Refrigerant flow obstructed by gas leakage from expansion valve heat sensing tube</p>	<p>Expansion valve orifice clogged</p> <p style="text-align: center;">↓</p> <p>Refrigerant does not flow</p>	<p>Allow to stand for some time and then restart operation to determine if trouble is caused by moisture or dirt.</p> <p>if caused by moisture refer to procedures Step 2 on page AC-11.</p> <p>If caused by dirt, remove expansion valve and clean off dirt by blowing with air. If unable to remove dirt, replace valve.</p> <p>Vacuum purge and charge new refrigerant to proper amount.</p> <p>For gas leakage from heat sensing tube, replace expansion valve.</p>
8	<p>Pressure too high at low pressure side</p> <p>Pressure too low at high pressure side</p>	<p>Internal leak in compressor</p>	<p>Compression defective</p> <p style="text-align: center;">↓</p> <p>Valve leaking or broken sliding parts (Piston, cylinder, gasket, etc.) broken</p>	<p>Repair or replace compressor</p>

## ON-VEHICLE INSPECTION

### 1. CHECK CONDENSER FINS FOR BLOCKAGE OR DAMAGE

If the fins are clogged, clean them with pressurized water.

**CAUTION:** Be careful not to damage the fins.



### 2. CHECK DRIVE BELT TENSION

Using a belt tension gauge, check the drive belt

Belt tension gauge:

Nippondenso BTG-20 (95506-00020) or

Borroughs No. BT-33-73F

**Drive belt tension:**

	New belt	Used belt
4A-GE Engine	132 ± 10 lb	88 ± 10 lb
4A-GZE Engine	165 ± 10 lb	82 ± 15 lb

NOTE:

- "New belt" refers to a belt which has been used less than 5 minutes on a running engine.
- "Used belt" refers to a belt which has been used on a running engine for 5 minutes or more.

### 3. START ENGINE

### 4. TURN ON A/C SWITCH

Check that the A/C operates at each position of the blower switch.

### 5. CHECK MAGNETIC CLUTCH OPERATION

### 6. CHECK THAT IDLE INCREASES

When the magnetic clutch engages, engine revolution should increase.

**Standard idle-up rpm: 900 – 1,000 rpm**

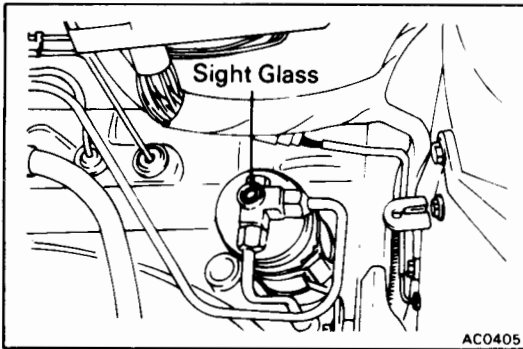
### 7. CHECK CONDENSER FAN MOTOR ROTATES

### 8. CHECK AMOUNT OF REFRIGERANT

If you can see bubbles in the sight glass, additional refrigerant is needed. (See page AC-14)

### 9. IF NO OR INSUFFICIENT COOLING, INSPECT FOR LEAKAGE

Using a gas leak detector, inspect each component of the refrigeration system.

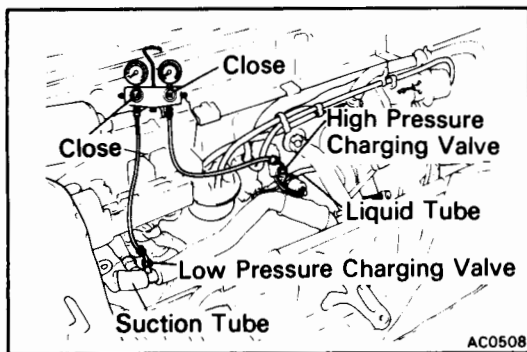


## REFRIGERATION SYSTEM

### Checking of Refrigerant Charge

1. RUN ENGINE AT APPROX. 2000 RPM
2. OPERATE AIR CONDITIONER AT MAXIMUM COOLING FOR A FEW MINUTES
3. CHECK AMOUNT OF REFRIGERANT  
Observe the sight glass on the receiver.

Item	Symptom	Amount of refrigerant	Remedy
1	Bubbles present in sight glass	Insufficient	Check for leak with gas leak detector
2	No bubbles present in sight glass	Empty, proper or too much	Refer to items 3 and 4
3	No temperature difference between compressor inlet and outlet	Empty or nearly empty	Evacuate and charge system. Then check for leak with gas leak detector
4	Temperature between compressor inlet and outlet is noticeably different	Proper or too much	Refer to items 5 and 6
5	Immediately after the air conditioner is turned off, refrigerant in sight glass stays clear	Too much	Discharge the excess refrigerant to specified amount
6	When the air conditioner is turned off, refrigerant foams and then stays clear	Proper	—



### Installation of Manifold Gauge Set

NOTE: Fittings for attaching the manifold gauge set are located on the suction tube charging valve and liquid tube charging valve.

1. CLOSE BOTH HAND VALVES OF MANIFOLD GAUGE SET
2. INSTALL CHARGING HOSES OF GAUGE SET TO CHARGING VALVES

Connect the low pressure hose to the low pressure charging valve and the high pressure hose to the high pressure charging valve. Tighten the hose nuts by hand.

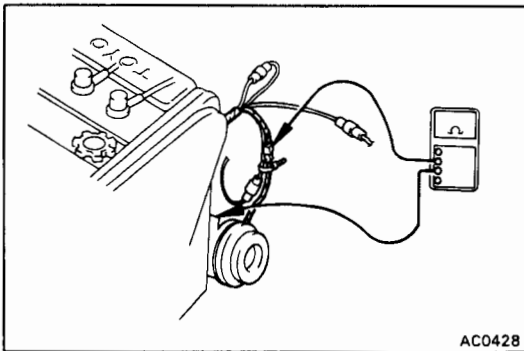
NOTE: Do not apply compressor oil to the seat of the connection.

# COMPRESSOR

## ON-VEHICLE INSPECTION

1. **INSTALL MANIFOLD GAUGE SET**  
(See page AC-14)
2. **RUN ENGINE AT FAST IDLE**
3. **CHECK COMPRESSOR FOR FOLLOWING:**
  - (a) High pressure gauge reading is not lower and low pressure gauge reading is not higher than normal.
  - (b) Metallic sound
  - (c) Leakage from shaft seal

If any of the above is not satisfactory, repair the compressor.

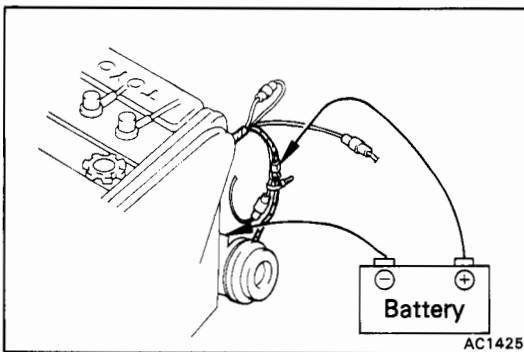


### 4. CHECK MAGNETIC CLUTCH

- (a) Inspect the pressure plate and the rotor for signs of oil.
- (b) Check the clutch bearings for noise and leaking grease.
- (c) Using an ohmmeter, measure the resistance of the stator coil between the clutch lead wire and ground.

**Standard resistance:  $3.7 \pm 0.2 \Omega$  at 20°C (68°F)**

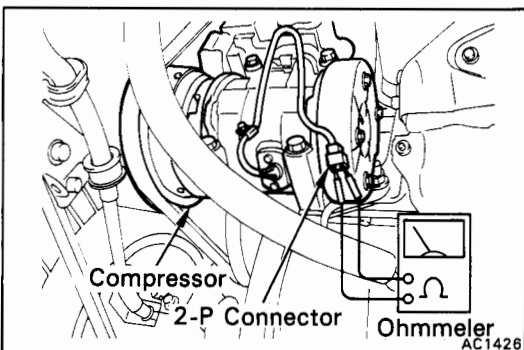
If resistance is not as specified, replace the coil.



- (d) Connect the positive (+) lead from the battery to terminal, check that the magnetic clutch to be energized.

If magnetic clutch does not energized, replace the coil.

**CAUTION: Do not short positive (+) lead wire harness to the vehicle, applying battery voltage.**



### 5. REVOLUTION DETECTING SENSOR (4A-GZE ENGINE ONLY)

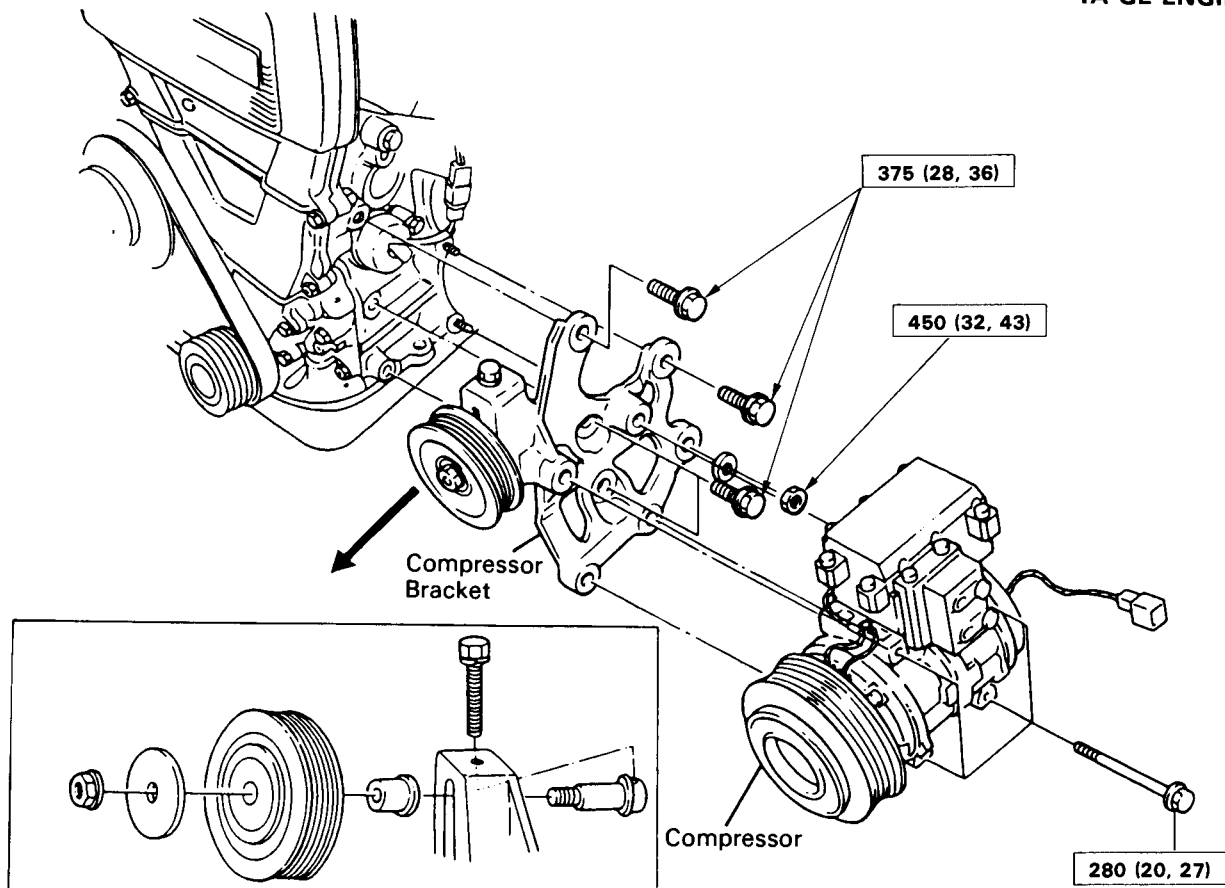
Using an ohmmeter, measure the resistance between two terminals of the sensor.

**Standard resistance:  $100 - 130 \Omega$  at 20°C (68°F)**

If resistance is not as specified, replace the revolution detecting sensor.



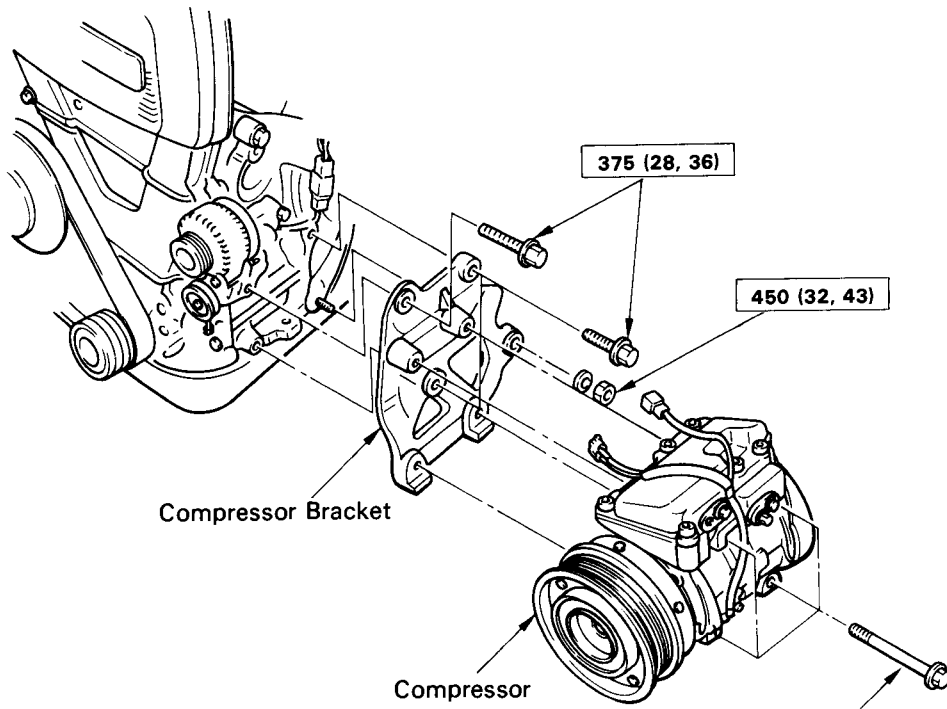
4A-GE ENGINE



kg-cm (ft-lb, N·m) : Specified torque

AC0429

4A-GZE ENGINE

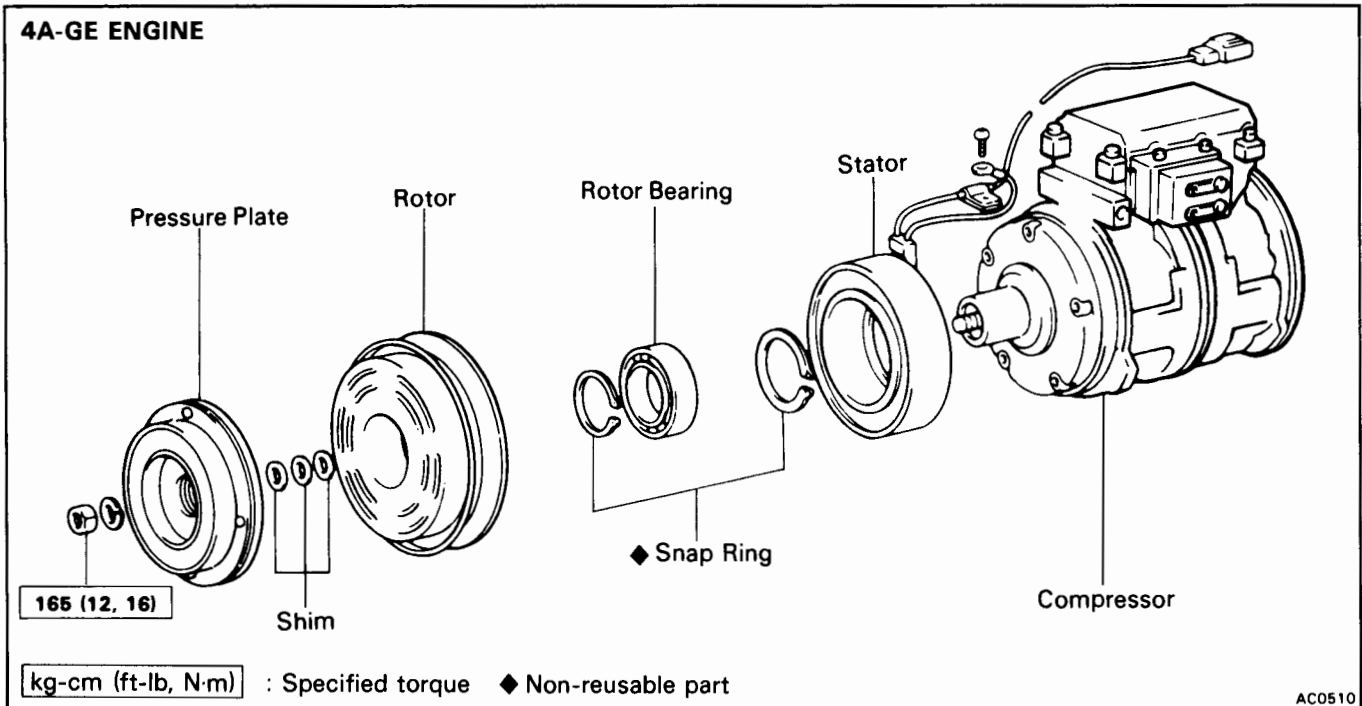


kg-cm (ft-lb, N·m) : Specified torque

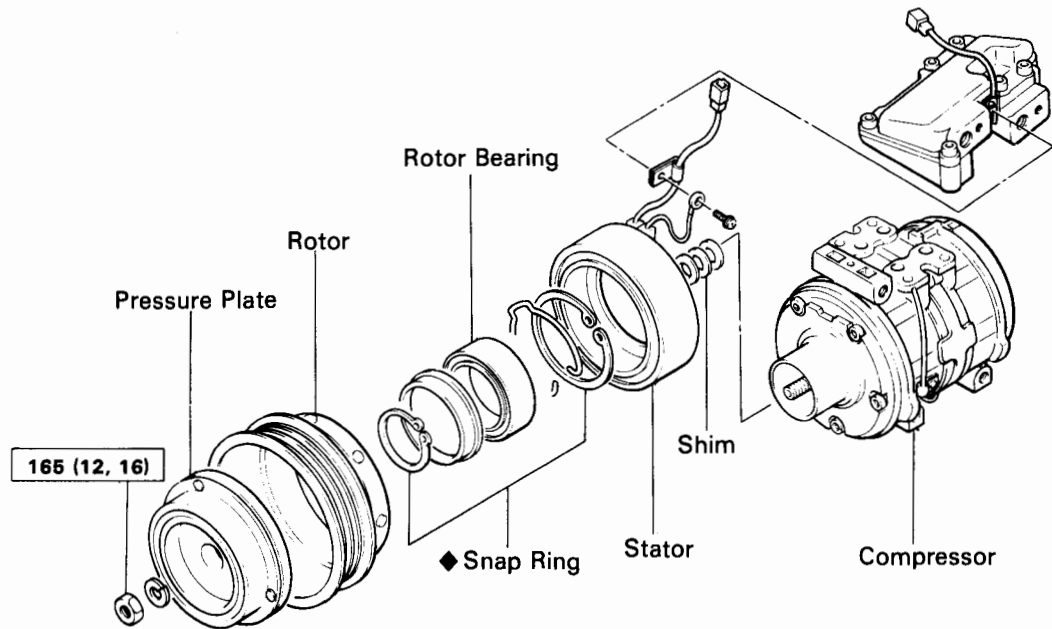
AC1427

**REMOVAL OF COMPRESSOR**

1. **RUN ENGINE AT IDLE WITH AIR CONDITIONING ON FOR 10 MINUTES**
2. **STOP THE ENGINE**
3. **DISCONNECT NEGATIVE CABLE FROM BATTERY**
4. **REMOVE BATTERY**
5. **DISCONNECT CLUTCH LEAD WIRE FROM WIRING HARNESS**
6. **DISCHARGE REFRIGERANT FROM REFRIGERATION SYSTEM**
7. **DISCONNECT TWO HOSES FROM COMPRESSOR**  
NOTE: Cap the open fitting immediately to keep moisture out of the system.
8. **REMOVE COMPRESSOR**
  - (a) Loosen the drive belt.
  - (b) Remove the compressor mounting bolts and the compressor.



## 4A-GZE ENGINE



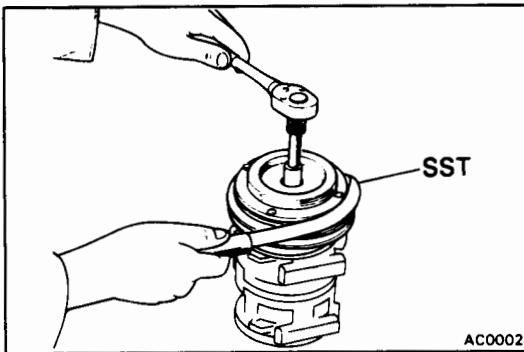
kg-cm (ft-lb, N-m) : Specified torque ◆ Non-reusable part

AC1428

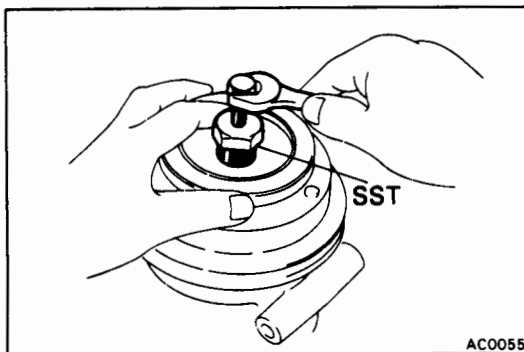
## DISASSEMBLY OF MAGNETIC CLUTCH

## 1. REMOVE PRESSURE PLATE

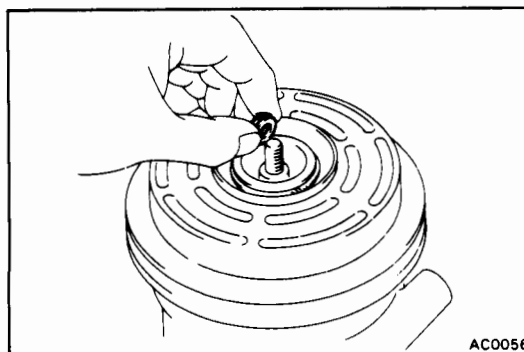
(a) Using SST and a socket, remove the shaft nut.  
SST 07110-77011

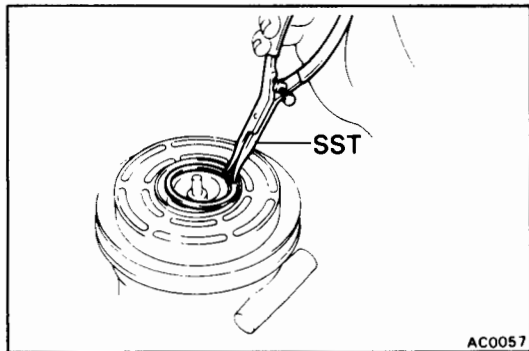


(b) Using SST and a socket, remove the pressure plate.  
SST 07112-71010



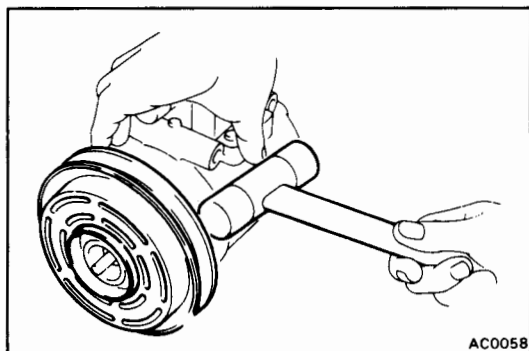
(c) Remove the shims from the shaft.





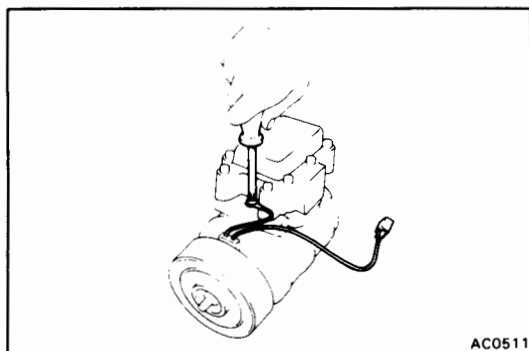
## 2. REMOVE ROTOR

- (a) Using SST, remove the snap ring.  
SST 07114-84020



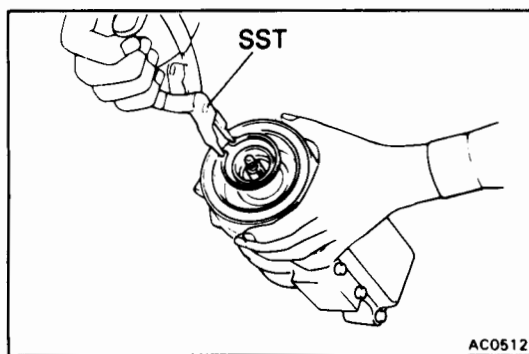
- (b) Using a plastic hammer, tap the rotor off the shaft.

**CAUTION:** Be careful not to damage the pulley when tapping on the rotor.

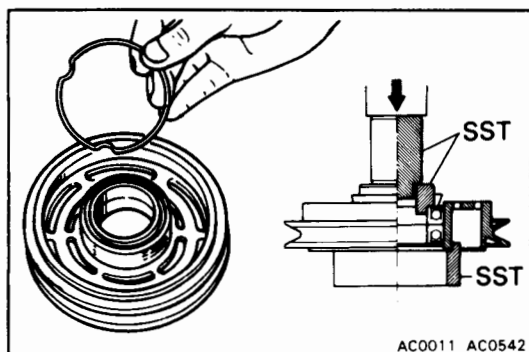


## 3. REMOVE STATOR

- (a) Disconnect the stator lead wires from the compressor housing.



- (b) Using SST, remove the snap ring. Remove the stator.  
SST 07114-84020



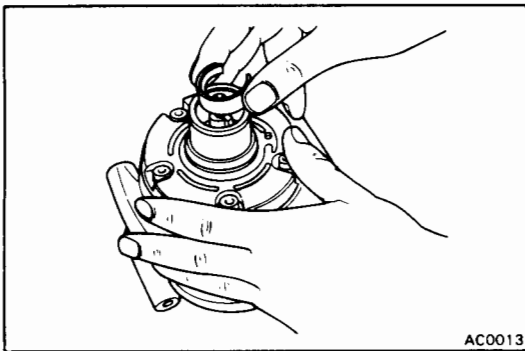
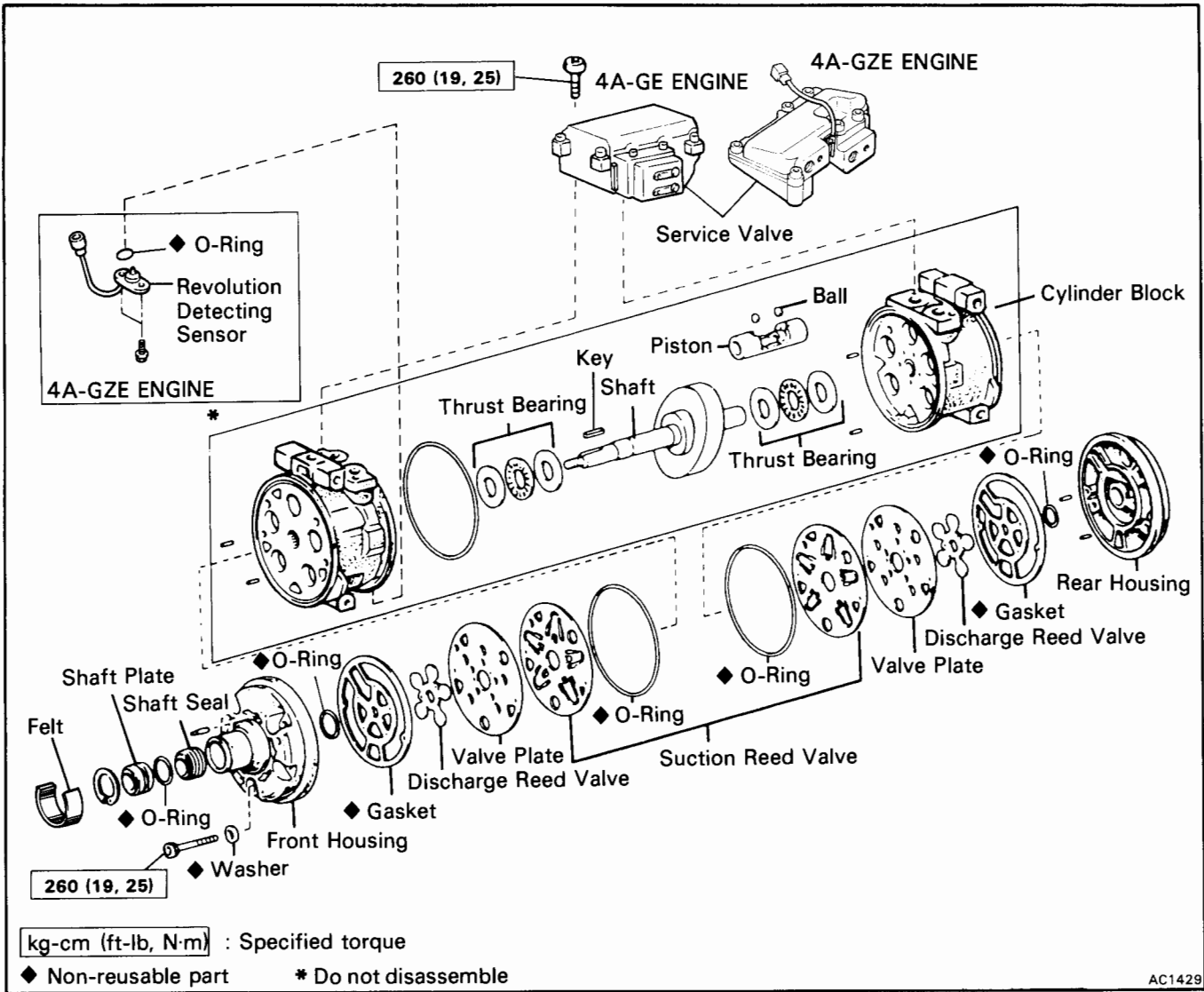
## 4. REMOVE ROTOR BEARINGS

**NOTE:** Press out the bearings only if they are to be replaced.

- (a) Remove the bearing snap ring from the rotor.  
(b) Using SST, press out the two bearings.  
SST 07110-77011

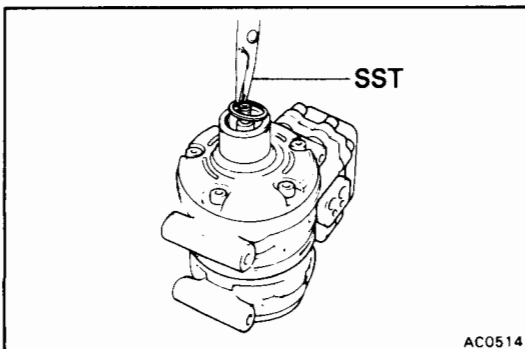
## 5. INSPECT PRESSURE PLATE AND ROTOR

- (a) Inspect the pressure plate and rotor surfaces for wear and scoring. Replace if necessary.  
(b) Check the rotor bearings for wear and leakage of grease. Replace if necessary.



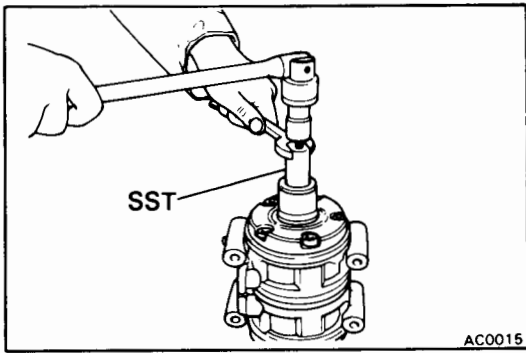
## DISASSEMBLY OF COMPRESSOR

### 1. REMOVE FELT



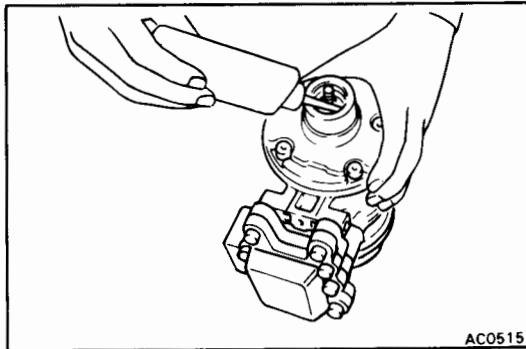
### 2. REMOVE SNAP RING

Using SST, remove the snap ring.  
SST 07114-84020



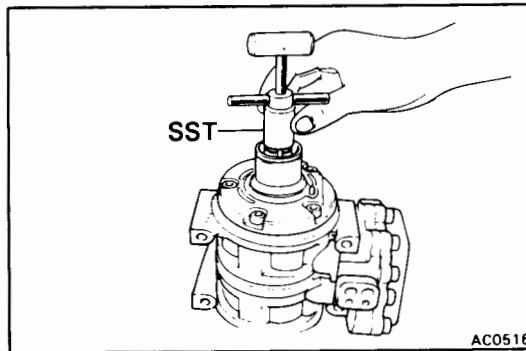
**3. REMOVE KEY**

Remove the key from the shaft.  
SST 07112-45021



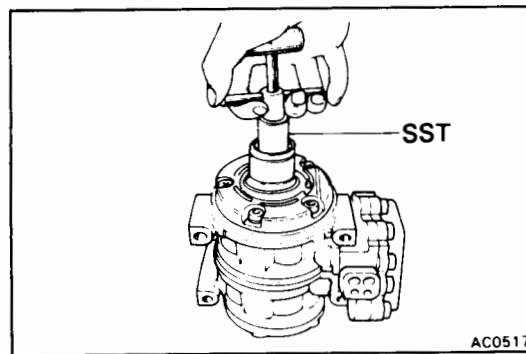
**4. APPLY COMPRESSOR OIL TO INNER BORE**

Apply compressor oil to the inner bore of the compressor.

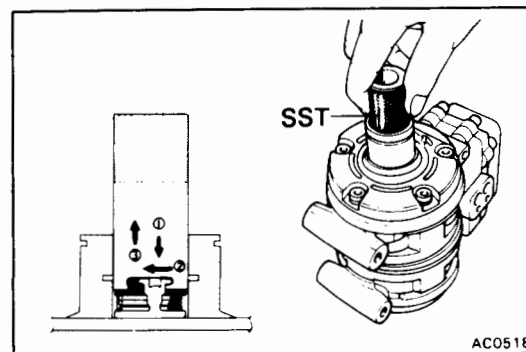


**5. REMOVE SHAFT PLATE**

(a) Insert SST against the shaft. Then push the holder ring downward.  
SST 07112-15010

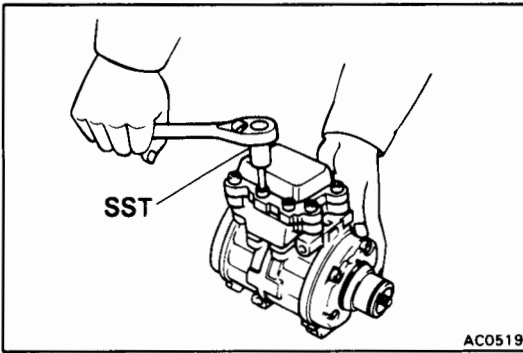


(b) Pull up the remover bar, and remove the shaft plate.



**6. REMOVE SHAFT SEAL**

Insert SST against the shaft, and turn it to the right while pressing on the remover.  
Then remove the shaft seal.  
SST 07114-15010

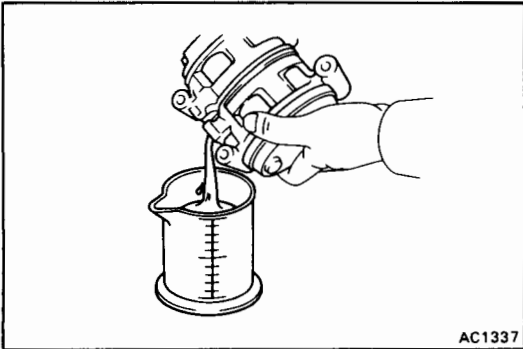


### 7. REMOVE SERVICE VALVE

- (a) Using SST, remove the bolts holding the service valve.

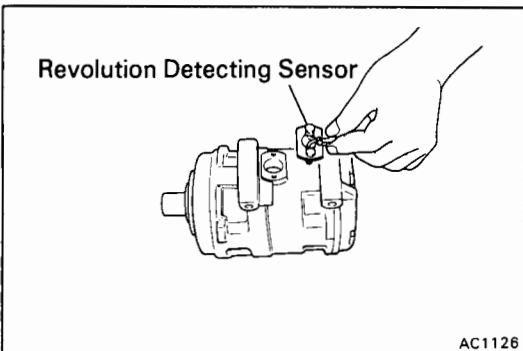
SST 07110-61050

- (b) Remove the O-ring from the service valve and discard them.

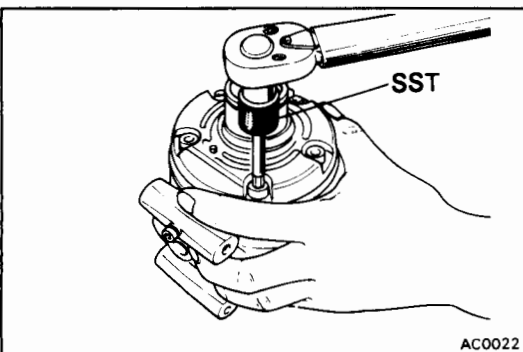


### 8. DRAIN COMPRESSOR OIL INTO MEASURING FLASK

Measure the quantity of drained oil because the same amount should be replaced later.



### 9. REMOVE REVOLUTION DETECTING SENSOR (4A-GZE ENGINE ONLY)

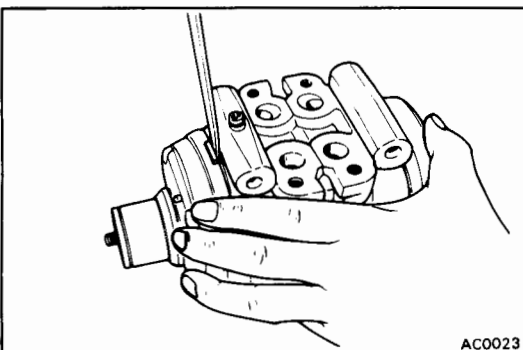


### 10. REMOVE FRONT HOUSING

- (a) Using SST, remove the five through bolts.

NOTE: Do not reuse the five washers.

SST 07110-61050



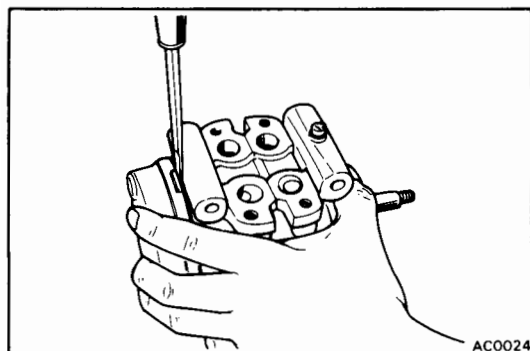
- (b) Using a screwdriver, remove the front housing.

**CAUTION:** Be careful not to scratch the sealing surface of the front housing.



**11. REMOVE FRONT VALVE PLATE**

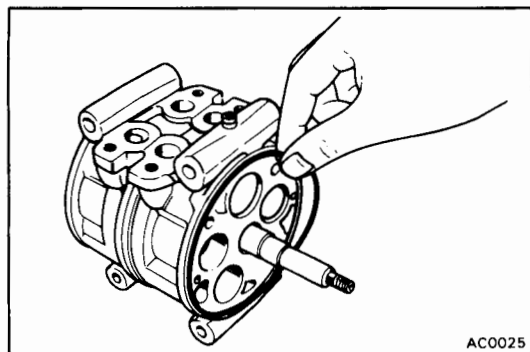
Remove the two pins from the front housing. Discard the pins.



**12. REMOVE REAR HOUSING**

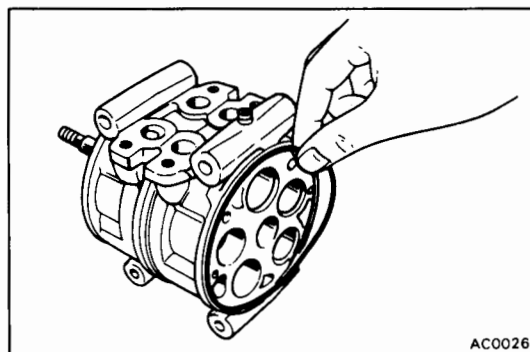
Using a screwdriver, remove the rear housing.

**CAUTION:** Be careful not to scratch the sealing surface of the rear housing.



**13. REMOVE FRONT AND REAR O-RINGS FROM CYLINDER BLOCK**

Discard the O-rings.

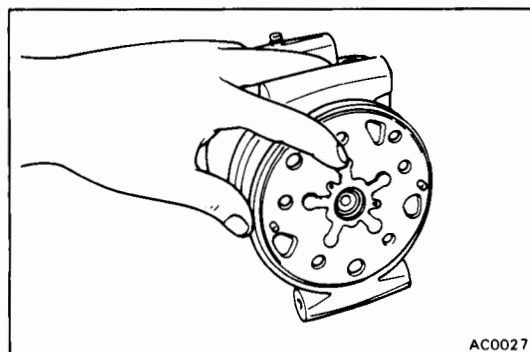


**ASSEMBLY OF COMPRESSOR**

(See page AC-20)

**1. INSTALL REAR VALVE PLATE ON REAR CYLINDER**

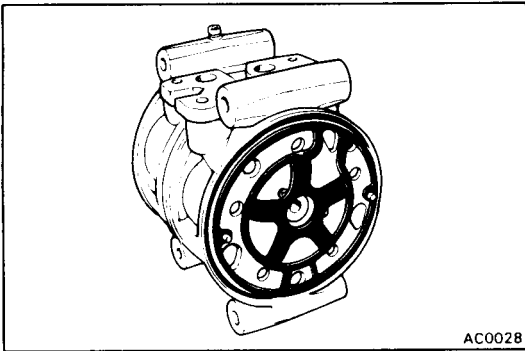
- (a) Install two pins in the rear cylinder.
- (b) Lubricate a new O-ring with compressor oil. Install the O-ring in the rear cylinder.



- (c) Install the rear suction valve over the pins on the rear cylinder.

**NOTE:** The front and rear suction valves are identical.





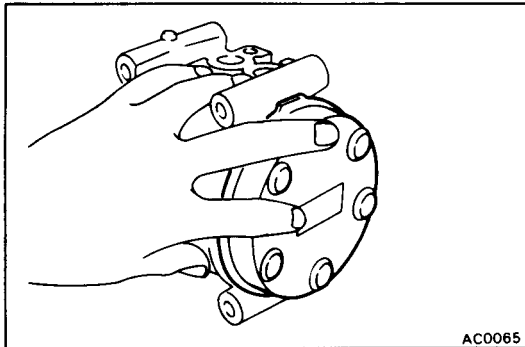
AC0028

- (d) Install the rear valve plate together with the discharge valve over the pins on the rear cylinder.

NOTE: The rear valve plate is marked with an "R."

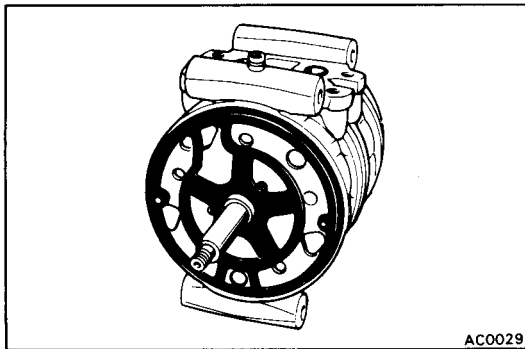
- (e) Lubricate the new gasket with compressor oil. Install the gasket on the valve plate.

## 2. INSTALL REAR HOUSING ON REAR CYLINDER



AC0065

## 3. INSTALL FRONT VALVE PLATE ON FRONT CYLINDER



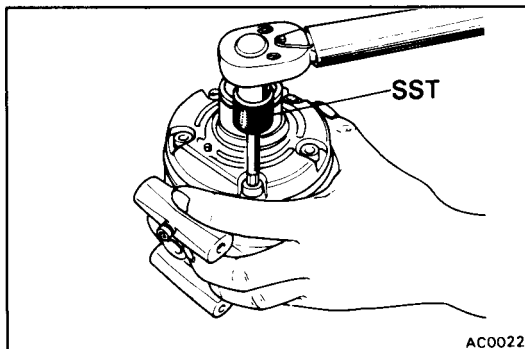
AC0029

- (a) Install the two pins in the front cylinder.
- (b) Lubricate a new O-ring with compressor oil. Install the O-ring in the rear housing.
- (c) Install the front suction valve over the pins on the front cylinder.
- (d) Install the front valve plate together with the discharge valve over the pins on the front cylinder.

NOTE: The front valve plate is marked with a "F."

- (e) Lubricate the new gasket with compressor oil. Install the gasket on the valve plate.

## 4. INSTALL FRONT HOUSING ON FRONT CYLINDER AND TIGHTEN FIVE THROUGH BOLTS



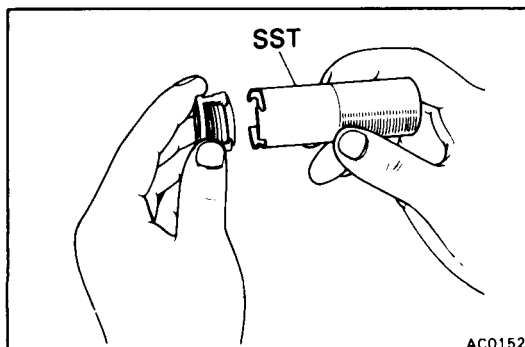
AC0022

Using SST and torque wrench, gradually tighten the five through bolts in two or three passes.

SST 07110-61050

Torque: 260 kg-cm (19 ft-lb, 25 N·m)

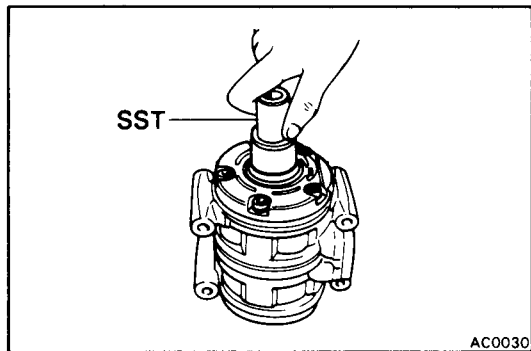
## 5. INSTALL SHAFT SEAL



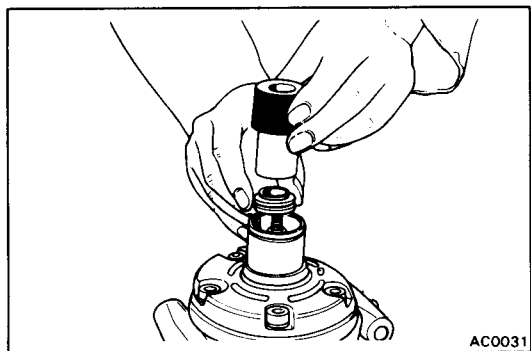
AC0152

- (a) Fit the shaft seal onto SST.

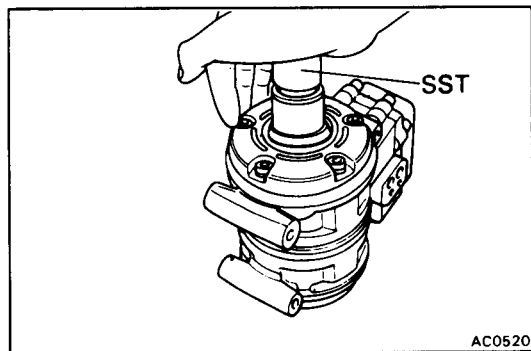
SST 07114-15010



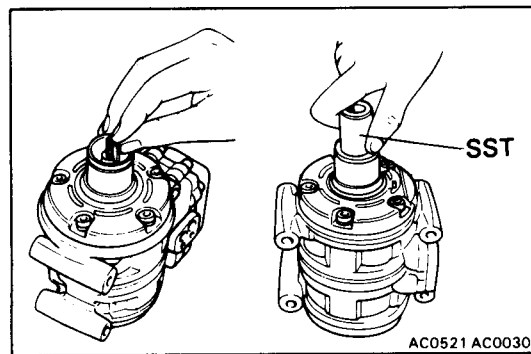
- (b) Apply oil to the bore.  
Insert SST, and turn it counterclockwise while lightly pressing in.  
Then pull up the SST.  
SST 07114-15010



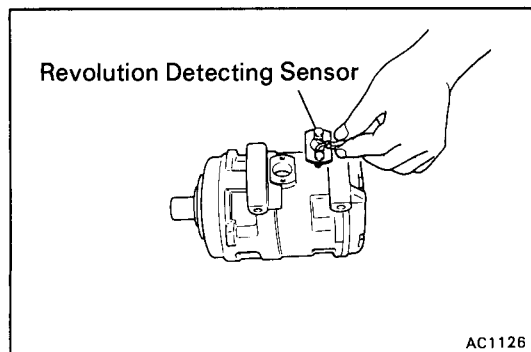
- 6. INSTALL SHAFT PLATE**  
(a) Put in the shaft plate.



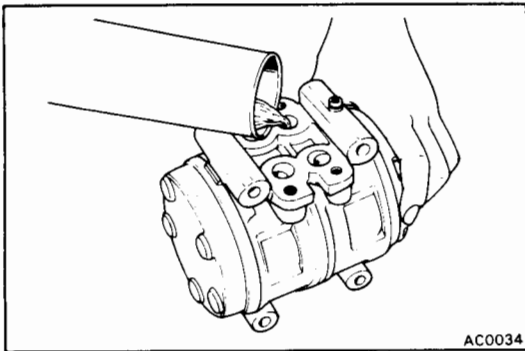
- (b) Press in SST.  
SST 07112-25010



- 7. INSTALL KEY IN SHAFT GROOVE**  
Using SST and plastic hammer, tap the key lightly.  
SST 07114-45010  
Place the felt inside the bore.  
(Refer to page AC-20)



- 8. INSTALL REVOLUTION DETECTING SENSOR (4A-GZE ENGINE ONLY)**

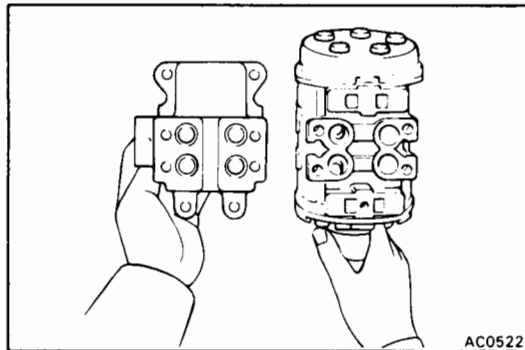


AC0034

## 9. POUR COMPRESSOR OIL INTO COMPRESSOR

Add the same quantity plus 20 cc of oil into the compressor.

Compressor oil: DENSOIL 6 SUNISO No. 5GS



AC0522

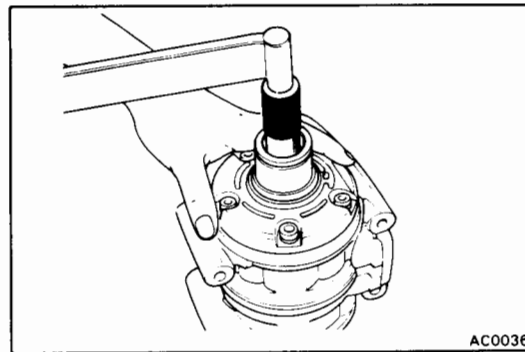
## 10. INSTALL SERVICE VALVE

(a) Lubricate new O-rings with compressor oil. Install the O-rings in the service valve.

(b) Install the service valve on the compressor. Using SST and torque wrench, tighten the bolts.

SST 07110-61050

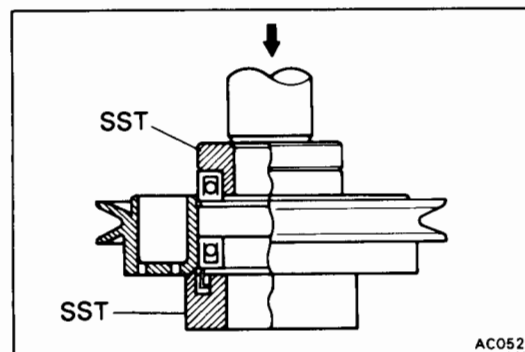
Torque: 260 kg-cm (19 ft-lb, 25 N·m)



AC0036

## 11. CHECK SHAFT STARTING TORQUE

Torque: 30 kg-cm (26 in.-lb, 2.9 N·m) or less



AC0523

## ASSEMBLY OF MAGNETIC CLUTCH

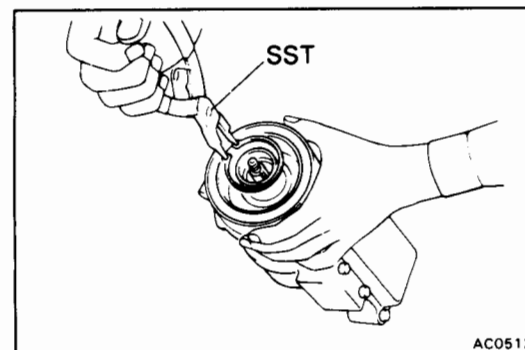
(See page AC-17, 18)

### 1. INSTALL TWO BEARINGS IN ROTOR

(a) Using SST, press a shield ring and two new bearings into the rotor boss until fully seated.

SST 07110-77011

(b) Install the bearing snap ring into the rotor groove.



AC0512

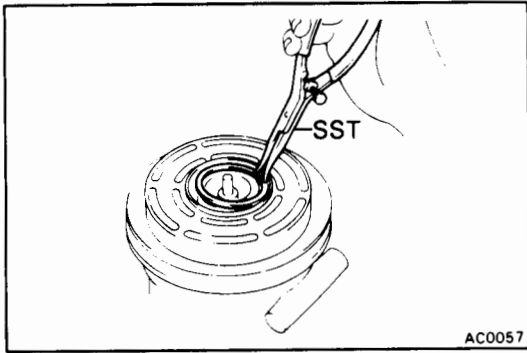
### 2. INSTALL STATOR

(a) Install the stator on the compressor.

(b) Using SST, install the new snap ring.

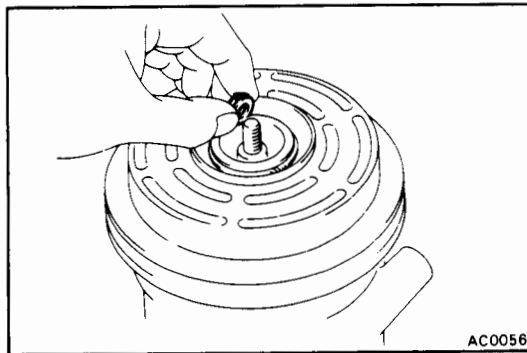
SST 07114-84020

(c) Connect the stator lead wires to the compressor housing.



### 3. INSTALL ROTOR

- (a) Install the rotor on the compressor shaft.
- (b) Using SST, install the new snap ring.  
SST 07114-84020

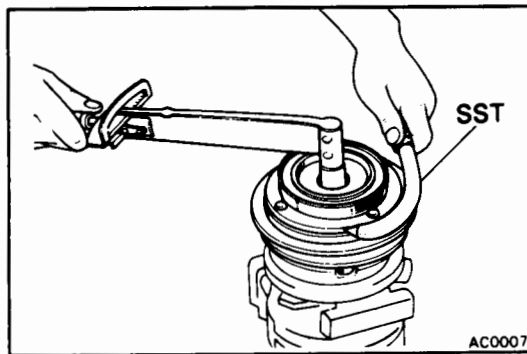


### 4. INSTALL PRESSURE PLATE

- (a) Adjust the clearance between the pressure plate and rotor by putting shims on the compressor shaft.

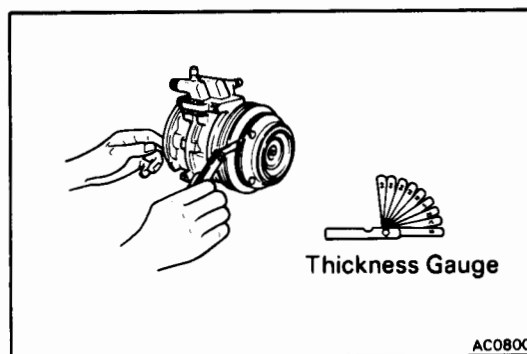
**Standard clearance: 0.4 – 0.7 mm (0.016 – 0.028 in.)**

If the clearance is not within tolerance, add or reduce the number of shims to obtain the standard clearance.



- (b) Using SST and torque wrench, install the shaft nut.  
SST 07110-77011

**Torque: 165 kg-cm (12 ft-lb, 16 N·m)**

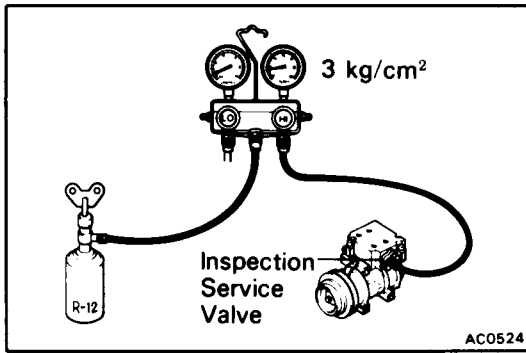


### 5. CHECK CLEARANCE OF MAGNETIC CLUTCH

Using thickness gauge, check the clearance between the pressure plate and rotor.

**Standard clearance: 0.6 – 1.0 mm (0.024 – 0.039 in.)**

If the clearance is not within standard clearance adjust the clearance using the shims to obtain the standard clearance.



## PERFORMANCE TEST OF COMPRESSOR

### 1. PERFORM GAS LEAKAGE TEST

- (a) Install the inspection service valve on the service valve.

NOTE: Use only a TOYOTA supplied inspection service valve for the perform gas leakage test.

Part No. Suction side 88376-17020  
Discharge side 88376-22020

- (b) Charge the compressor with refrigerant through the charge valve until the pressure is 3 kg/cm<sup>2</sup> (43 psi, 294 kPa).
- (c) Using a gas leak detector, check the compressor for leaks.

If leaks are found, check and replace the compressor.

### 2. EVACUATE COMPRESSOR AND CHARGE WITH REFRIGERANT

Make sure the caps are tight and the compressor is free from the moisture and contamination.

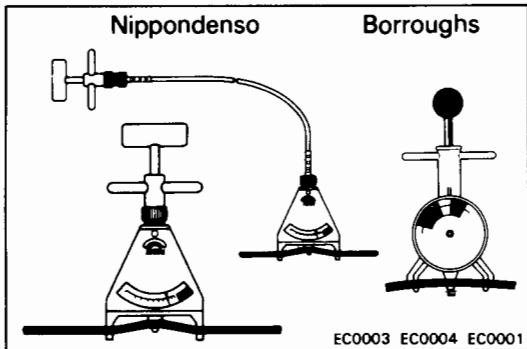
NOTE: When storing a compressor for an extended period, charge the compressor with refrigerant or dry nitrogen gas to prevent corrosion.

## INSTALLATION OF COMPRESSOR

(See page AC-20)

### 1. INSTALL COMPRESSOR WITH FOUR MOUNTING BOLTS

Torque: 280 kg-cm (20 ft-lb, 27 N·m)



### 2. INSTALL DRIVE BELT

- Install the drive belt to the pulley.
- Tighten the belt with adjusting bolts.

Using a belt tension gauge, check the drive belt tension.

Belt tension gauge:

Nippondenso BTG-20 (95506-00020) or

Borroughs No. BT-33-73F

Drive belt tension:

	New belt	Used belt
4A-GE Engine	132 ± 10 lb	88 ± 10 lb
4A-GZE Engine	165 ± 10 lb	82 ± 15 lb

NOTE:

- "New belt" refers to a belt which has been used less than 5 minutes on a running engine.
- "Used belt" refers to a belt which has been used on a running engine for 5 minutes or more.

### 3. CONNECT TWO HOSES TO COMPRESSOR

Torque:

Discharge line 250 kg-cm  
(18 ft-lb, 25 N·m)

Suction line 250 kg-cm  
(18 ft-lb, 25 N·m)

### 4. CONNECT CLUTCH LEAD WIRE TO WIRING HARNESS

### 5. PLACE BATTERY

### 6. CONNECT CABLES TO BATTERY

### 7. EVACUATE AIR FROM AIR CONDITIONING SYSTEM

### 8. CHARGE AIR CONDITIONING SYSTEM WITH REFRIGERANT AND CHECK ON GAS LEAKAGE

Specified amount: 600 – 750 g (1.3 – 1.7 lb)

## RECEIVER

### ON-VEHICLE INSPECTION

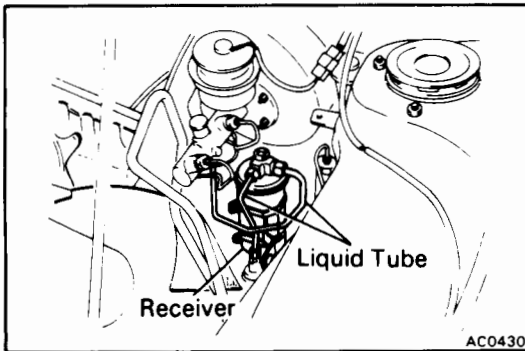
#### CHECK SIGHT GLASS, FUSIBLE PLUG AND FITTING FOR LEAKAGE

Use a gas leak detector. Repair as necessary.

### REMOVAL OF RECEIVER

(See page AC-7)

1. DISCHARGE REFRIGERATION SYSTEM
2. REMOVE SPARE TIRE AND TRIM COVER
3. DISCONNECT TWO LIQUID TUBES FROM RECEIVER  
NOTE: Cap the open fittings immediately to keep moisture out of the system.
4. REMOVE RECEIVER FROM RECEIVER HOLDER



### INSTALLATION OF RECEIVER

(See page AC-7)

1. INSTALL RECEIVER IN RECEIVER HOLDER  
NOTE: Do not remove the blind plugs until connecting the liquid tubes to the receiver.
2. CONNECT TWO LIQUID TUBES TO RECEIVER  
Torque: 135 kg-cm (10 ft-lb, 13 N·m)
3. INSTALL TRIM COVER AND SPARE TIRE
4. IF RECEIVER WAS REPLACED, ADD COMPRESSOR OIL TO COMPRESSOR  
Add 20 cc (0.7 fl.oz.)
5. EVACUATE AIR FROM AIR CONDITIONING SYSTEM
6. CHARGE AIR CONDITIONING SYSTEM WITH REFRIGERANT AND CHECK ON GAS LEAKAGE  
Specified amount: 600 – 750 g (1.3 – 1.7 lb)

## CONDENSER

### ON-VEHICLE INSPECTION

1. CHECK CONDENSER FINS FOR BLOCKAGE OR DAMAGE

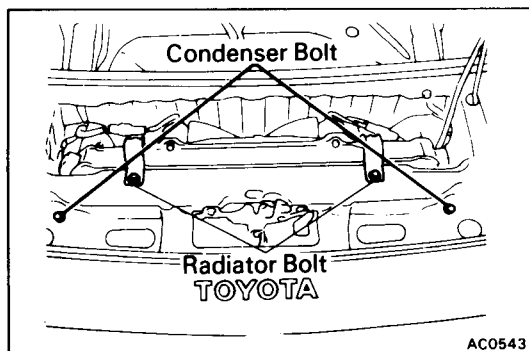
If the fins are clogged, wash them with water and dry with compressed air.

**CAUTION:** Be careful not to damage the fins.

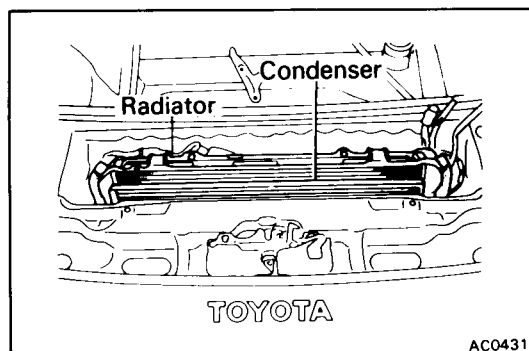
If the fins are bent, straighten them with a screwdriver or pliers.

2. CHECK CONDENSER FITTINGS FOR LEAKAGE

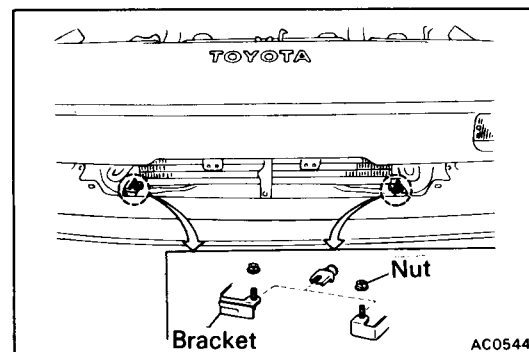
Repair as necessary.



AC0543



AC0431



AC0544

## REMOVAL OF CONDENSER

(See page AC-7)

1. DISCHARGE REFRIGERATION SYSTEM
2. REMOVE FRONT GRILLE AND FRONT UNDER COVER
3. REMOVE TWO UPPER CONDENSER BOLTS
4. REMOVE TWO UPPER RADIATOR BOLTS  
Remove the two upper radiator bolts, after removing the bolts, lean the radiator back.
5. DISCONNECT DISCHARGE TUBE AND DISCHARGE TUBE CLAMP FROM CONDENSER INLET FITTING
6. DISCONNECT LIQUID TUBE AND LIQUID TUBE CLAMP FROM CONDENSER OUTLET FITTING  
NOTE: Cap the open fittings immediately to keep moisture out of the system.
7. REMOVE CONDENSER

Remove the two lower condenser nuts and condenser.

## INSTALLATION OF CONDENSER

(See page AC-7)

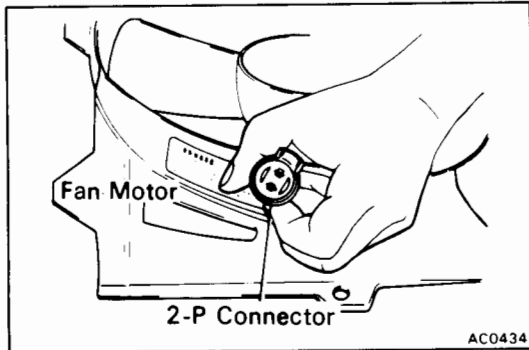
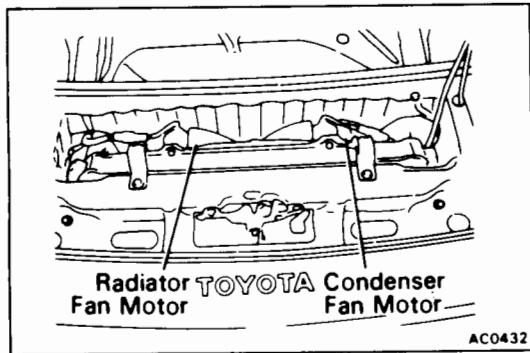
1. INSTALL CONDENSER  
Install the two lower condenser nuts, making sure the rubber cushions fit on the mounting flanges correctly.
2. CONNECT LIQUID TUBE, DISCHARGE TUBE AND TWO CLAMPS TO CONDENSER

Torque:

Liquid tube	135 kg-cm (10 ft-lb, 13 N·m)
Discharge tube	185 kg-cm (13 ft-lb, 18 N·m)

3. INSTALL TWO UPPER CONDENSER BOLTS
4. INSTALL TWO UPPER RADIATOR BOLTS
5. INSTALL FRONT GRILLE AND UNDER COVER
6. IF CONDENSER WAS REPLACED, ADD COMPRESSOR OIL TO COMPRESSOR  
Add 40 – 50 cc (1.4 – 1.7 fl.oz.)
7. EVACUATE AIR FROM AIR CONDITIONING SYSTEM
8. CHARGE AIR CONDITIONING SYSTEM WITH REFRIGERANT AND CHECK ON GAS LEAKAGE  
Specified amount: 600 – 750 g (1.3 – 1.7 lb)





# CONDENSER FAN MOTOR

## INSPECTION OF FAN MOTORS

### 1. INSPECT FAN MOTORS

- (a) Disconnect 2-P connector of the fan motor.
- (b) Using the wire harness, apply battery voltage to the connector.
- (c) Confirm smooth rotation of the motor within the specified current flow.

**Standard current: 6.7 ± 0.7 A**

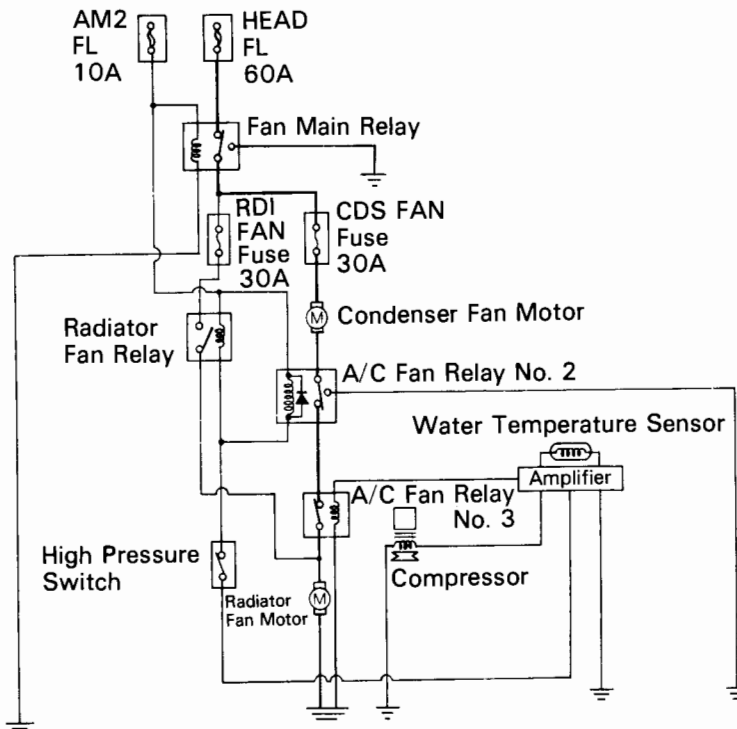
If current is not as specified, replace the motor.

### 2. CHECK FAN MOTORS OPERATION

**NOTE:** The fan motors operate at two speeds depending on the water temperature and the A/C switch.

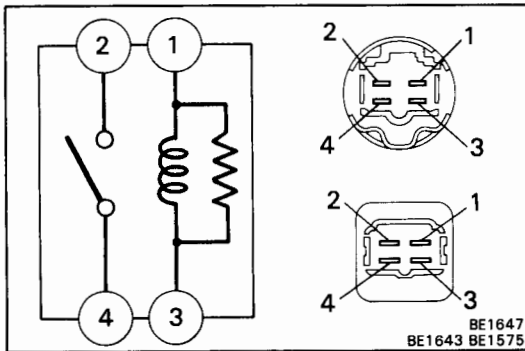
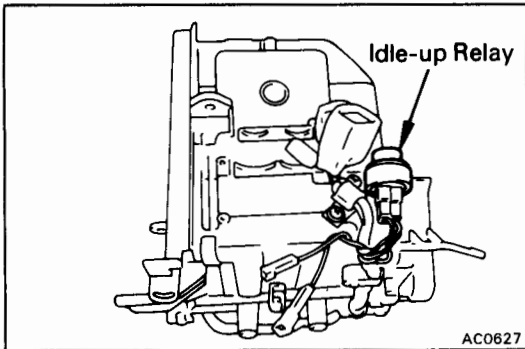
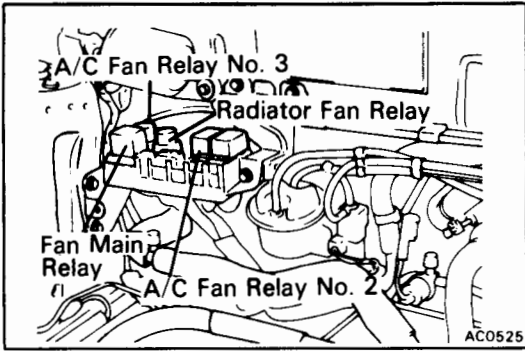
A/C switch	Magnetic clutch	Water temperature	Fan motor speed
OFF or ON	OFF	85°C (185°F) or below	OFF
		85 to 90°C (185 to 194°F)	LO
		90°C (194°F) or above	HI
ON	ON	90°C (194°F) or below	LO
		90°C (194°F) or above or the refrigerant pressure is over 15.5 kg/cm <sup>2</sup> (220 psi, 1,520 kPa)	HI

(Example) A/C Switch: ON Magnet Clutch: ON Water Temperature: 90°C (194°F) or below  
Fan Motor Speed: LO



# A/C Relays

## INSPECTION OF RELAYS

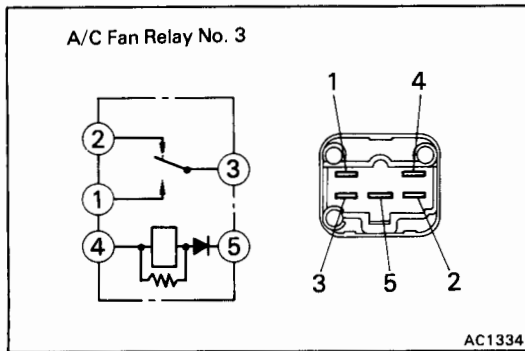


### INSPECT RELAY COTINUITY

#### (A/C Fan Relay No. 3)

Terminal	1	2	3	4
Condition				
	○	—	○	
Apply battery voltage to terminal 1 and 3		○	—	○

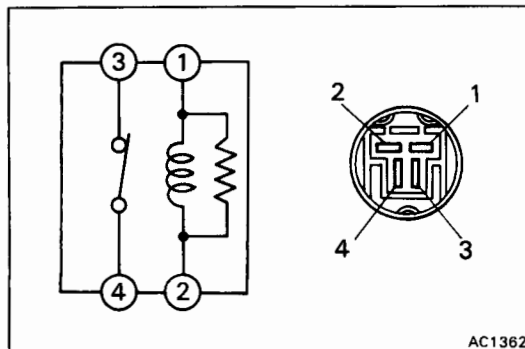
If continuity is not as specified, replace the relay.



#### (A/C Fan Relay No. 2)

Terminal	1	2	3	4	5
Condition					
		○	—	○	▶
Apply battery voltage to terminal 4(+) and 5(-)	○		○		

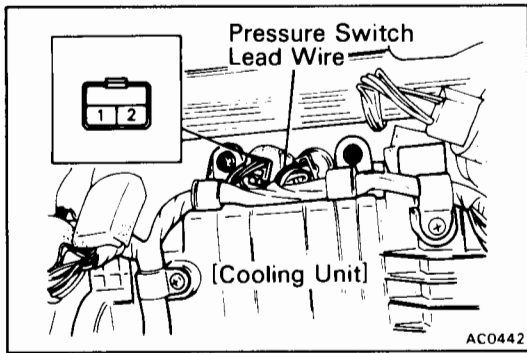
If continuity is not as specified, replace the relay.



#### (Idle-up Relay)

Terminal	1	2	3	4
Condition				
	○	—	○	○
Apply battery voltage to terminal 1 and 2				

If continuity is not as specified, replace the relay.

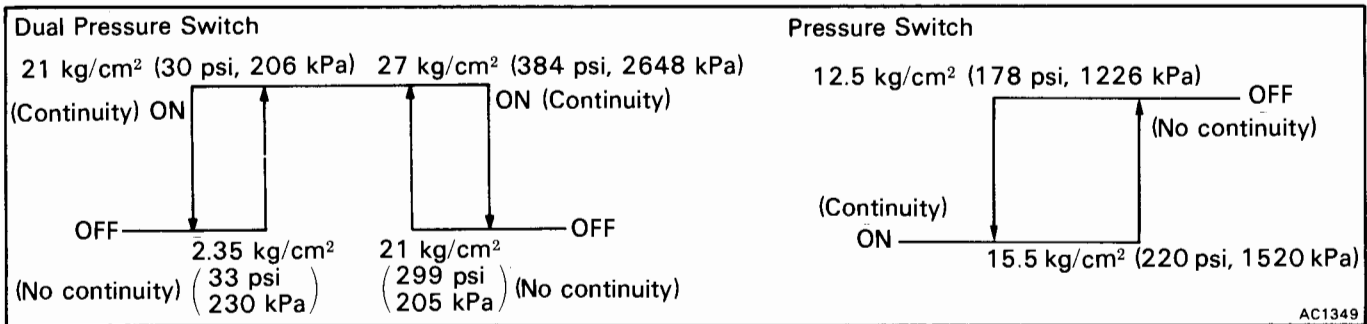
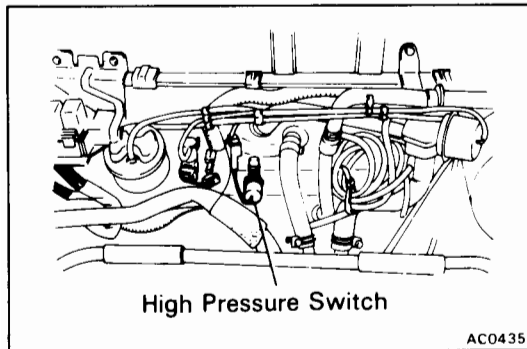


## PRESSURE SWITCH

(See page AC-7)

### ON-VEHICLE INSPECTION

1. DISCONNECT CONNECTOR OF PRESSURE SWITCH
2. INSPECT PRESSURE SWITCH
  - (a) Install the manifold gauge set.
  - (b) Observe the gauge reading.
  - (c) Check the continuity between the two terminals of the pressure switch shown in the below.



If defective, replace the pressure switch.

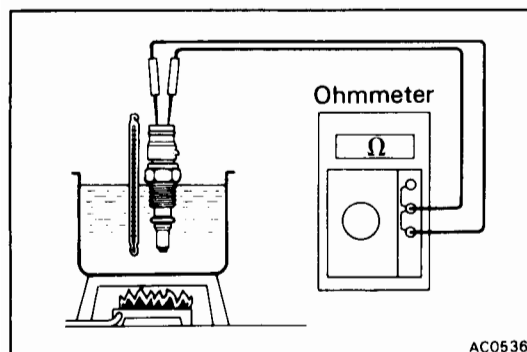
3. CONNECT CONNECTOR OF PRESSURE SWITCH

## Water Temperature Sensor

### INSPECTION OF TEMPERATURE SENSOR

#### INSPECT WATER TEMPERATURE SENSOR

Using an ohmmeter, measure the resistance of the water temperature sensor.



Water temperature	Resistance
85°C (185°F)	approx. 1.35 kΩ
90°C (194°F)	approx. 1.19 kΩ
95°C (203°F)	approx. 1.05 kΩ

## COOLING UNIT

(See page AC-7)

### ON-VEHICLE INSPECTION OF EXPANSION VALVE

1. CHECK QUANTITY OF DURING REFRIGERATION CYCLE

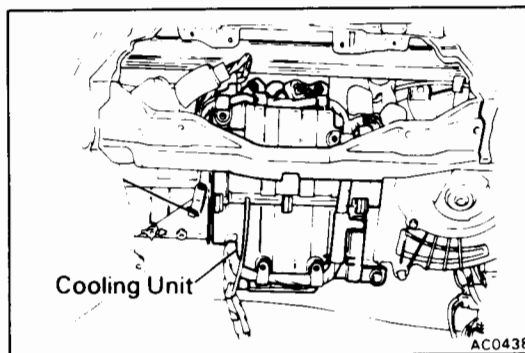
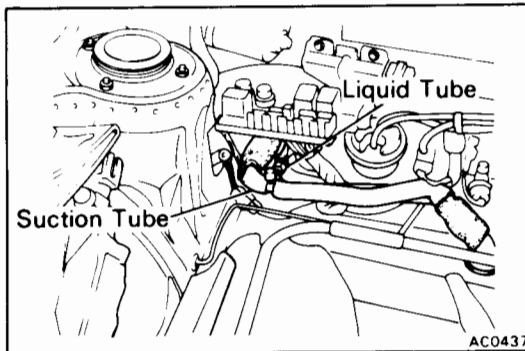
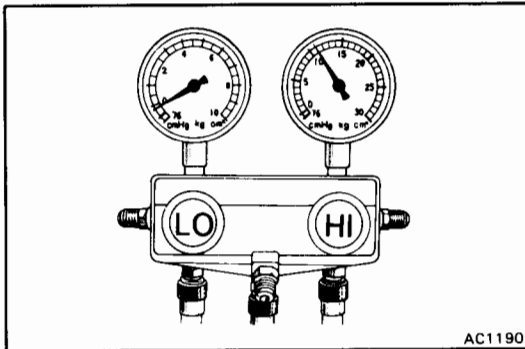
2. INSTALL MANIFOLD GAUGE SET  
(See page AC-14)

3. RUN ENGINE

Run the engine at 2,000 rpm at least 5 minutes.

4. CHECK EXPANSION VALVE

If the expansion valve is clogged, the low pressure reading will drop to 0 kg/cm<sup>2</sup> (0 psi, 0 kPa), otherwise it is OK.



### REMOVAL OF COOLING UNIT

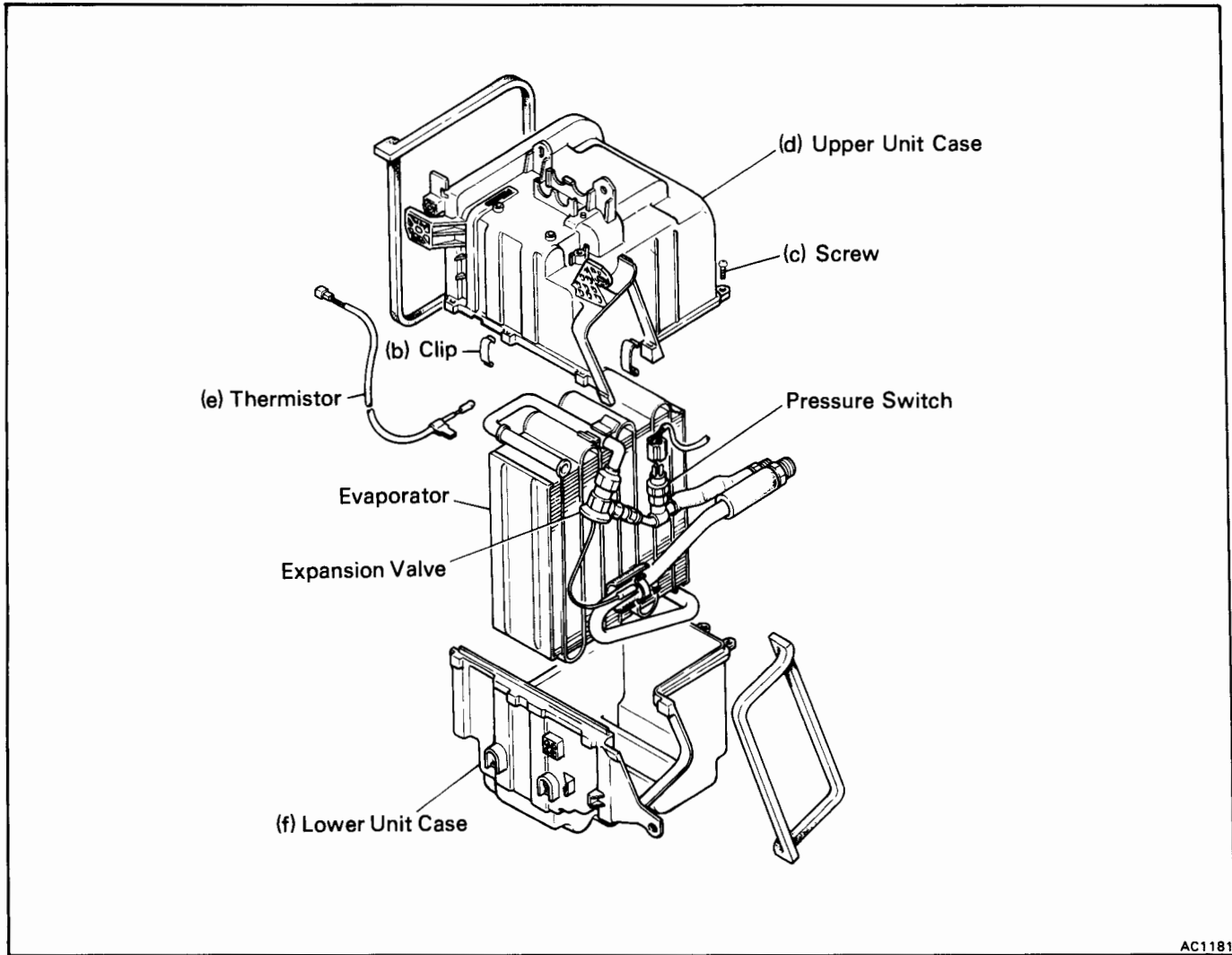
1. DISCONNECT NEGATIVE CABLE FROM BATTERY
2. DISCHARGE REFRIGERATION SYSTEM
3. DISCONNECT SUCTION TUBE FROM COOLING UNIT OUTLET FITTING
4. DISCONNECT LIQUID TUBE FROM COOLING UNIT INLET FITTING

NOTE: Cap the open fittings immediately to keep moisture out of the system.

5. REMOVE GROMMETS FROM INLET AND OUTLET FITTINGS
6. REMOVE GLOVE BOX AND UNDER COVER
7. DISCONNECT CONNECTORS
8. REMOVE COOLING UNIT

Remove two nuts and four screws.

## DISASSEMBLY OF COOLING UNIT

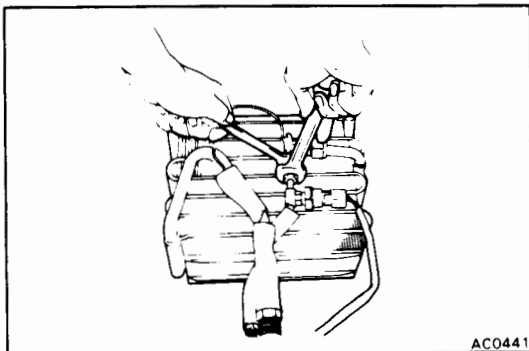


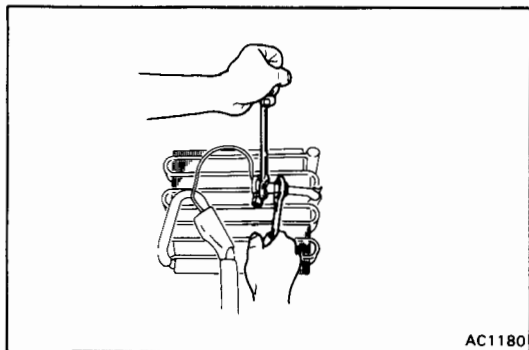
### 1. REMOVE LOWER AND UPPER UNIT CASES

- (a) Disconnect connectors.
- (b) Remove four clips.
- (c) Remove four screws.
- (d) Remove upper unit case.
- (e) Remove thermistor with thermistor holder.
- (f) Remove lower unit case.

### 2. REMOVE EXPANSION VALVE

- (a) Disconnect the liquid tube from the inlet fitting of the expansion valve.
- (b) Remove the packing and heat sensing tube from suction tube of evaporator.





- (c) Remove the expansion valve.

## Evaporator

### INSPECTION OF EVAPORATOR

#### 1. CHECK EVAPORATOR FINS FOR BLOCKAGE

If the fins are clogged, clean them with compressed air.

**CAUTION:** Never use water to clean the evaporator.

#### 2. CHECK FITTINGS FOR CRACKS OR SCRATCHES

Repair as necessary.

### ASSEMBLY OF COOLING UNIT

#### INSTALL COMPONENTS ON EVAPORATOR

- (a) Connect the expansion valve to the inlet fitting of the evaporator. Torque the nut.

**Torque: 235 kg-cm (17 ft-lb, 23 N·m)**

**NOTE:** Be sure that the O-rings are positioned on the tube fitting.

- (b) Install the holder to the suction tube with heat sensitizing tube.

- (c) Connect the liquid tube to the inlet fitting of the expansion valve. Torque the nut.

**Torque: 135 kg-cm (10 ft-lb, 13 N·m)**

- (d) Install lower unit case to the evaporator.

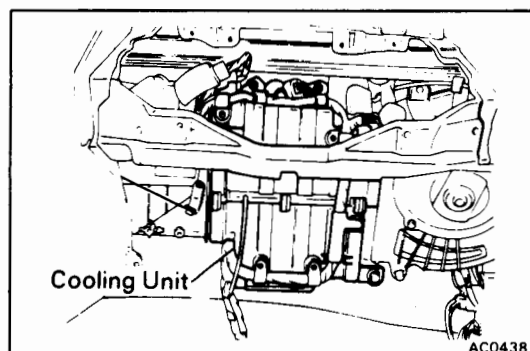
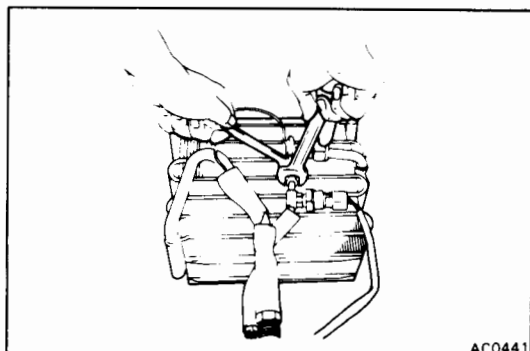
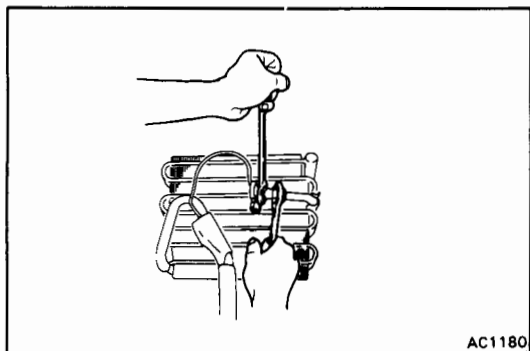
- (e) Install thermistor to the evaporator.

- (f) Install upper unit case.

- (g) Install four screws.

- (h) Install four clips.

- (i) Connect connectors.



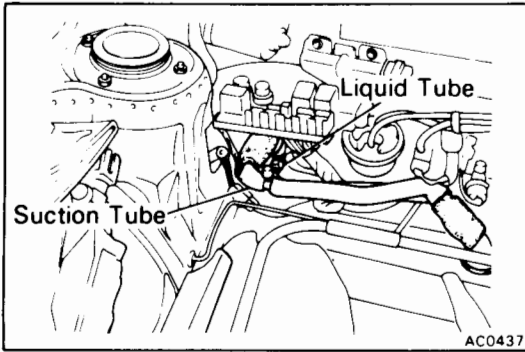
### INSTALLATION OF COOLING UNIT

#### 1. INSTALL COOLING UNIT

Install the cooling unit with two nuts and four screws.

#### 2. CONNECT CONNECTORS

#### 3. INSTALL GLOVE BOX AND UNDER COVER



4. **INSTALL GROMMETS ON INLET AND OUTLET FITTINGS**
5. **CONNECT LIQUID TUBE TO COOLING UNIT INLET FITTING**  
Torque the nut.  
Torque: 135 kg-cm (10 ft-lb, 13 N·m)
6. **CONNECT SUCTION TUBE TO COOLING UNIT OUTLET FITTING**  
Torque the nut.  
Torque: 325 kg-cm (24 ft-lb, 32 N·m)
7. **IF EVAPORATOR WAS REPLACED, ADD COMPRESSOR OIL TO COMPRESSOR**  
Add 40 – 50 cc (1.4 – 1.7 fl.oz.)
8. **CONNECT NEGATIVE CABLE TO BATTERY**
9. **EVACUATE AIR FROM AIR CONDITIONING SYSTEM**
10. **CHARGE AIR CONDITIONING SYSTEM WITH REFRIGERANT AND CHECK ON GAS LEAKAGE**  
Specified amount: 600 – 750 g (1.3 – 1.7 lb)

## REFRIGERANT LINES

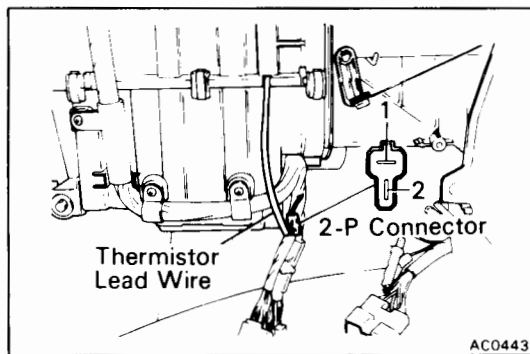
(See page AC-7)

### ON-VEHICLE INSPECTION

1. **INSPECT HOSES AND TUBES FOR LEAKAGE**  
Use a gas leak detector. Replace, if necessary.
2. **CHECK THAT HOSE AND TUBE CLAMPS ARE NOT LOOSE**  
Tighten or replace as necessary.

### REPLACEMENT OF REFRIGERANT LINES

1. **DISCHARGE REFRIGERATION SYSTEM**
2. **REPLACE FAULTY TUBE OR HOSE**  
NOTE: Cap the open fittings immediately to keep moisture out of the system.
3. **TIGHTENING TORQUE FOR O-RING**  
(See page AC-8)
4. **EVACUATE AIR FROM AIR CONDITIONING SYSTEM**
5. **CHARGE AIR CONDITIONING SYSTEM WITH REFRIGERANT AND CHECK ON GAS LEAKAGE**  
Specified amount: 600 – 750 g (1.3 – 1.7 lb)



## THERMISTOR

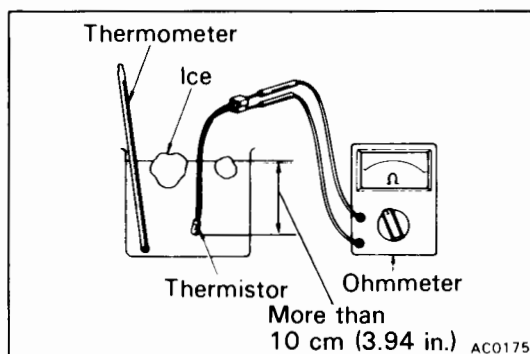
### ON-VEHICLE INSPECTION

1. DISCONNECT NEGATIVE BATTERY CABLE
2. REMOVE GLOVE BOX
3. CHECK RESISTANCE OF THERMISTOR

Measure the resistance between terminals.

**Standard resistance: 1500 Ω at 25°C (77°F)**

If resistance is not as specified, replace the thermistor.



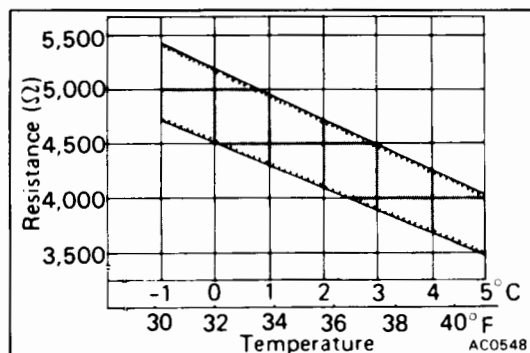
### REMOVAL AND INSPECTION OF THERMISTOR

1. REMOVE AND DISASSEMBLE COOLING UNIT (See page AC-36)
2. REMOVE THERMISTOR FROM EVAPORATOR
3. CHECK THERMISTOR OPERATION

(a) Place the thermistor in cold water. While varying the temperature of the water, measure the resistance at the connector and at the same time, measure the temperature of the water with a thermometer.

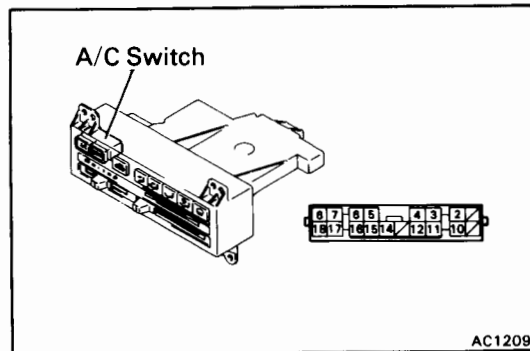
(b) Compare the two readings on the chart.

If the intersection is not between the two lines, replace the thermistor.



### INSTALLATION OF THERMISTOR

1. INSTALL THERMISTOR TO EVAPORATOR
2. ASSEMBLE AND INSTALL COOLING UNIT



## A/C SWITCH

(See page AC-7)

### INSPECTION OF SWITCH

#### INSPECT SWITCH CONTINUITY

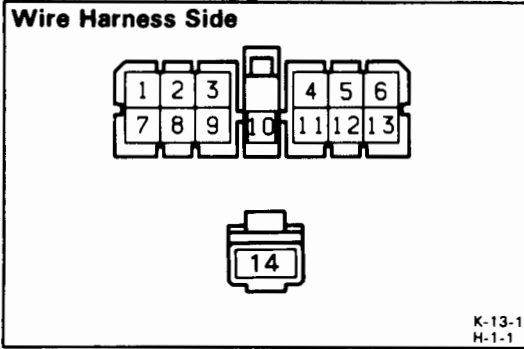
Inspect continuity between the terminals.

Terminal	4	2	10	15
Switch position				
A/C	○	○	○	○
ECONO		○	○	○

*Note: The diagram shows continuity (indicated by a circle with a dot) between terminals 4 and 2 in the A/C position, and between terminals 2 and 10 in the ECONO position.*

If continuity is not as specified, replace the switch.





## AIR CONDITIONER AMPLIFIER

### INSPECTION OF AMPLIFIER

#### INSPECT AMPLIFIER CIRCUIT

Disconnect the amplifier and inspect the connector on the wire harness side as shown in the chart below.

Test conditions:

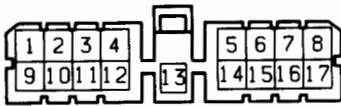
- (1) Ignition switch: ON
- (2) Temperature control lever: MAX COOL
- (3) Blower switch: HI

#### (4A-GE E/G Model)

Check for	Tester connection	Condition	Specified value
Continuity	10 - Ground	—	Continuity
Voltage	2 - 10	Turn A/C switch on.	Battery voltage
		Turn A/C switch off.	No voltage
	14 - 10	Turn ECONO switch on.	Battery voltage
		Turn ECONO switch off.	No voltage
	4 - 10	Turn ignition switch on.	Battery voltage
		Turn ignition switch off.	No voltage
	6 - 10	Turn ignition switch on.	Battery voltage
		Turn ignition switch off.	No voltage
	1 - 10	Turn ignition switch on.	Battery voltage
		Turn ignition switch off.	No voltage
	8 - 10	Turn ignition switch on.	Battery voltage
		Turn ignition switch off.	No voltage
	13 - 10	Start the engine.	Approx. 10 to 14 V
		Stop the engine.	No voltage
Continuity	5 - Ground	—	Continuity
	7 - Ground	—	Continuity
Resistance	12 - 11	—	Approx. 1.5 k $\Omega$ at 25°C (77°F)
	9 - 3	—	Approx. 4.5 k $\Omega$

If circuit is correct, replace the amplifier.

Wire Harness Side

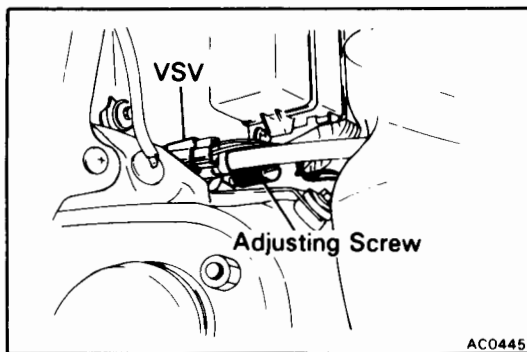


K-17-1

(4A-GZE E/G Model)

Check for	Tester connection	Condition	Specified value
Continuity	13 – Ground	—	Continuity
Voltage	3 – 13	Turn A/C switch on.	Battery voltage
		Turn A/C switch off.	No voltage
	8 – 13	Turn A/C switch on.	Battery voltage
		Turn A/C switch off.	No voltage
	3 – 13	Turn ECONO switch on.	Battery voltage
		Turn ECONO switch off.	No voltage
	16 – 13	Turn ECONO switch on.	Battery voltage
		Turn ECONO switch off.	No voltage
	2 – 13	Turn ignition switch on.	Battery voltage
		Turn ignition switch off.	No voltage
	5 – 13	Turn ignition switch on.	Battery voltage
		Turn ignition switch off.	No voltage
	9 – 13	Turn ignition switch on.	Battery voltage
		Turn ignition switch off.	No voltage
	14 – 13	Turn ignition switch on.	Battery voltage
		Turn ignition switch off.	No voltage
	6 – 13	Start the engine.	Approx. 10 to 14 V
		Stop the engine.	No voltage
Continuity	15 – Ground	—	Continuity
Continuity	11 – Ground	—	Continuity
Continuity	4 – Ground	—	Continuity
Continuity	10 – Ground	—	Continuity
Resistance	17 – 7	—	Approx. 1.5 kΩ at 25°C (77°F)
Resistance	1 – 13	—	Approx. 4.5 kΩ

If circuit is correct, replace the amplifier.



## VACUUM SWITCHING VALVE (VSV)

(See page AC-7)

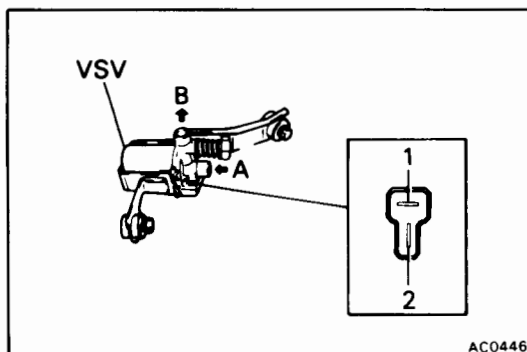
### INSPECTION OF VSV

#### 1. REMOVE VSV

#### 2. CHECK VACUUM CIRCUIT CONTINUITY

- (a) Blow into pipe "A" and check that air does not come out of pipe "B".
- (b) Apply battery voltage (12 V) between the terminals No. 1 and No. 2.
- (c) Blow into pipe "A" and check that air comes out of pipe "B".

If a problem is found, replace the VSV.



---

# SERVICE SPECIFICATIONS

	Page
MAINTENANCE .....	A-2
ENGINE MECHANICAL .....	A-3
SUPERCHARGER SYSTEM .....	A-6
EFI SYSTEM .....	A-7
COOLING SYSTEM .....	A-12
LUBRICATION SYSTEM .....	A-12
IGNITION SYSTEM .....	A-13
STARTING SYSTEM .....	A-13
CHARGING SYSTEM .....	A-13
CLUTCH .....	A-14
MANUAL TRANSAXLE .....	A-15
AUTOMATIC TRANSAXLE .....	A-22
FRONT AXLE AND SUSPENSION .....	A-27
REAR AXLE AND SUSPENSION .....	A-28
BRAKE SYSTEM .....	A-29
STEERING .....	A-30
BODY .....	A-31
LUBRICANT .....	A-32

## MAINTENANCE

### Engine

Drive belt tension w/ Borroughs drive belt tension gauge No. BT-33-73F or Nippondenso BTG-20 (95506-00020)			
4A-GE	Alternator	New belt	175 ± 5 lb
		Used belt	115 ± 20 lb
4A-GZE	A/C	New belt	160 ± 20 lb
		Used belt	105 ± 10 lb
	Alternator w/ Air con.	New belt	165 ± 10 lb
		Used belt	85 ± 15 lb
Supercharger	w/o Air con.	New belt	175 ± 5 lb
		Used belt	115 ± 20 lb
Coolant capacity w/ heater or air conditioner	M/T	w/ heater	12.2 liters      12.9 US qts      10.7 Imp. qts
		Others	12.4 liters      13.1 US qts      10.9 Imp. qts
Engine oil capacity	A/T	Drain and refill	12.9 liters      13.6 US qts      11.4 Imp. qts
		w/ Oil cooler	
	w/o Oil cooler	w/ Oil filter change	3.4 liters      3.6 US qts      3.0 Imp. qts
		w/ Oil filter change	3.3 liters      3.5 US qts      2.9 Imp. qts
Spark plug			
Type	4A-GE	ND	PQ16R
		NGK	BCPR5EP11
Gap	4A-GZE	ND	PQ20R
		NGK	BCPR6EP11
Firing order			1.1 mm      0.043 in.
Valve clearance (cold)	Intake		1 - 3 - 4 - 2
		Exhaust	0.15 - 0.25 mm      0.006 - 0.010 in.
			0.20 - 0.30 mm      0.008 - 0.012 in.
Idle speed			800 rpm

### Chassis

Front brake			
Pad thickness	Limit	3.0 mm	0.118 in.
Disc thickness	Limit	21.0 mm	0.827 in.
Disc runout	Limit	0.13 mm	0.0051 in.
Rear brake			
Pad thickness	Limit	1.0 mm	0.039 in.
Disc thickness	Limit	9.0 mm	0.354 in.
Disc runout	Limit	0.15 mm	0.0059 in.
Front axle and suspension			
Ball joint vertical play	Limit	0 mm	0 in.
Steering wheel freeplay		Max. 30 mm (1.18 in.)	

**Chassis (Cont'd)**

Torque specifications:			
Front seat mounting bolt	375 kg-cm	27 ft-lb	37 N·m
Front strut bar bracket x Body	590 kg-cm	43 ft-lb	58 N·m
Rear suspension arm bracket x Body	590 kg-cm	43 ft-lb	58 N·m

**ENGINE MECHANICAL**

**Specifications**

Cylinder head	Warpage	Cylinder block side	Limit	0.05 mm	0.0020 in.	
		Intake manifold side	Limit	0.05 mm	0.0020 in.	
		Exhaust manifold side	Limit	0.10 mm	0.0039 in.	
	Valve guide bushing bore		STD		11.000 – 11.027 mm	0.4331 – 0.4341 in.
			O/S 0.05		11.050 – 11.077 mm	0.4350 – 0.4361 in.
	Valve seat	Refacing angle			30°, 45°, 60°	
Contacting angle				45°		
Contacting width				1.0 – 1.4 mm	0.039 – 0.055 in.	
Valve guide bushing	Inside diameter	Outside diameter	STD	6.01 – 6.03 mm	0.2366 – 0.2374 in.	
			O/S 0.05	11.033 – 11.044 mm	0.4344 – 0.4348 in.	
				11.083 – 11.094 mm	0.4363 – 0.4368 in.	
	Replacing temperature (Cylinder head side)			80 – 100°C	176 – 212°F	
Valve	Valve overall length	STD	Intake	99.60 mm	3.9213 in.	
			Exhaust	99.75 mm	3.9272 in.	
			Limit Intake	99.10 mm	3.9016 in.	
			Exhaust	99.25 mm	3.9075 in.	
	Valve face angle			44.5°		
	Stem diameter		Intake	5.970 – 5.985 mm	0.2350 – 0.2356 in.	
			Exhaust	5.965 – 5.980 mm	0.2348 – 0.2354 in.	
	Stem oil clearance	STD	Intake	0.025 – 0.060 mm	0.0010 – 0.0024 in.	
			Exhaust	0.030 – 0.065 mm	0.0012 – 0.0026 in.	
			Limit Intake	0.08 mm	0.0031 in.	
			Exhaust	0.10 mm	0.0039 in.	
	Margin thickness	STD		0.8 – 1.2 mm	0.031 – 0.047 in.	
Limit			0.5 mm	0.020 in.		
Valve spring	Free length		41.09 mm	1.6177 in.		
	Installed tension at 34.7 mm (1.366 in.)		14.6 – 17.0 kg (32.2 – 37.5 lb, 143 – 167 N)			
	Squareness	Limit	1.8 mm	0.071 in.		
Valve lifter	Outer diameter	STD	27.975 – 27.985 mm	1.1014 – 1.1018 in.		
	Oil clearance	STD	0.015 – 0.046 mm	0.0006 – 0.0018 in.		
		Limit	0.10 mm	0.0039 in.		
Manifold	Warpage	Intake manifold	Limit	0.05 mm	0.0020 in.	
		Exhaust manifold	Limit	0.30 mm	0.0118 in.	
Air control valve	Warpage (4A-GE only)		Limit	0.05 mm	0.0020 in.	

## Specifications (Cont'd)

Timing belt	Timing belt deflection			4 mm at 2 kg (0.16 in. at 4.4 lb, 20 N)	
	Tension spring	Free length		43.5 mm 1.713 in.	
		Installed load		9.97 kg at 50.2 mm (22.0 lb, 98 N at 1.976 in.)	
Camshaft	Thrust clearance	STD		0.08 – 0.19 mm 0.0031 – 0.0075 in.	
		Limit		0.30 mm 0.0118 in.	
	Journal oil clearance	STD		0.035 – 0.072 mm 0.0014 – 0.0028 in.	
		Limit		0.10 mm 0.0039 in.	
	Journal diameter	STD		26.949 – 26.965 mm 1.0610 – 1.0616 in.	
	Circle runout	Limit		0.04 mm 0.0016 in.	
	Cam lobe height	STD		35.410 – 35.510 mm 1.3823 – 1.3980 in.	
		Limit		35.11 mm 1.3823 in.	
Cylinder block	Cylinder head surface warpage	Limit		0.05 mm 0.0020 in.	
	Cylinder bore diameter	STD	STD	81.00 – 81.03 mm 3.1890 – 3.1902 in.	
		Limit	STD	81.23 mm 3.1980 in.	
			O/S 0.50	81.73 mm 3.2177 in.	
Piston and piston ring	Piston diameter	4A-GE	STD	80.890 – 80.920 mm 3.1846 – 3.1858 in.	
			U/S 0.50	81.390 – 81.420 mm 3.2043 – 3.2055 in.	
		4A-GZE	STD	80.870 – 80.900 mm 3.1839 – 3.1850 in.	
			U/S 0.50	81.370 – 81.400 mm 3.2035 – 3.2047 in.	
	Piston oil clearance	4A-GE		0.10 – 0.12 mm 0.0039 – 0.0047 in.	
			4A-GZE	0.12 – 0.14 mm 0.0047 – 0.0055 in.	
	Piston ring groove clearance		No. 1	0.04 – 0.08 mm 0.0016 – 0.0031 in.	
			No. 2	0.03 – 0.07 mm 0.0012 – 0.0028 in.	
	Piston ring end gap	STD	No. 1		0.25 – 0.47 mm 0.0098 – 0.0185 in.
				No. 2	0.20 – 0.42 mm 0.0079 – 0.0165 in.
			Oil	Code mark T	0.15 – 0.52 mm 0.0059 – 0.0205 in.
				Code mark R	0.30 – 1.02 mm 0.0118 – 0.0402 in.
		Limit	No. 1		1.07 mm 0.0421 in.
				No. 2	1.02 mm 0.0402 in.
Oil			Code mark T	1.12 mm 0.0441 in.	
			Code mark R	1.62 mm 0.0638 in.	
Connecting rod and bearing	Thrust clearance	STD		0.15 – 0.25 mm 0.0059 – 0.0098 in.	
		Limit		0.30 mm 0.0118 in.	
	Connecting rod oil clearance	STD	STD	0.020 – 0.051 mm 0.0008 – 0.0020 in.	
			U/S 0.25	0.019 – 0.073 mm 0.0007 – 0.0029 in.	
		Limit		0.08 mm 0.0031 in.	
	Connecting rod bearing center wall thickness	STD	Mark 1	1.486 – 1.490 mm 0.0585 – 0.0587 in.	
			Mark 2	1.490 – 1.494 mm 0.0587 – 0.0588 in.	
Mark 3			1.494 – 1.498 mm 0.0588 – 0.0590 in.		
U/S 0.25			1.607 – 1.613 mm 0.0633 – 0.0635 in.		

**Specifications (Cont'd)**

Connecting rod and bearing (cont'd)	Bent Limit per 100 mm (3.94 in.)		0.03 mm	0.0012 in.	
	Twist Limit per 100 mm (3.94 in.)		0.05 mm	0.0020 in.	
	Bushing inside diameter		20.010 – 20.022 mm	0.7878 – 0.7883 in.	
	Piston pin diameter		20.004 – 20.016 mm	0.7876 – 0.7880 in.	
	Piston pin oil clearance	STD Limit	0.004 – 0.008 mm 0.05 mm	0.0002 – 0.0003 in. 0.0020 in.	
Crankshaft	Thrust clearance	STD	0.02 – 0.22 mm	0.0008 – 0.0087 in.	
		Limit	0.30 mm	0.0118 in.	
	Thrust washer thickness	STD	2.440 – 2.490 mm	0.0961 – 0.0980 in.	
	Main journal oil clearance	STD	0.015 – 0.033 mm	0.0006 – 0.0013 in.	
		U/S 0.25	0.013 – 0.053 mm	0.0005 – 0.0021 in.	
		Limit	0.10 mm	0.0039 in.	
	Main journal diameter	STD	47.982 – 48.000 mm	1.8891 – 1.8898 in.	
		U/S 0.25	47.745 – 47.755 mm	1.8797 – 1.8801 in.	
	Main bearing center wall thickness	STD	Mark 1	2.002 – 2.005 mm	0.0788 – 0.0789 in.
			Mark 2	2.005 – 2.008 mm	0.0789 – 0.0791 in.
			Mark 3	2.008 – 2.011 mm	0.0791 – 0.0792 in.
			Mark 4	2.011 – 2.014 mm	0.0792 – 0.0793 in.
			Mark 5	2.014 – 2.017 mm	0.0793 – 0.0794 in.
		U/S 0.25		2.121 – 2.127 mm	0.0835 – 0.0837 in.
	Crank pin diameter	STD	41.985 – 42.000 mm	1.6529 – 1.6535 in.	
U/S 0.25		41.745 – 41.755 mm	1.6435 – 1.6439 in.		
Circle runout	Limit	0.06 mm	0.0024 in.		
Main journal taper and out-of-round					
	Limit	0.02 mm	0.0008 in.		
Crank pin taper and out-of-round	Limit	0.02 mm	0.0008 in.		

**Torque Specifications**

Part tightened	kg-cm	ft-lb	N-m
Camshaft timing pulley x Camshaft	475	34	47
Idler pulley x Cylinder block	375	27	37
Crankshaft pulley x Crankshaft	1,400	101	137
Cylinder head x Cylinder block	1st	300	29
	2nd	90° turns	
	3rd	90° turns	
Camshaft bearing cap x Cylinder head	130	9	13
Intake manifold x Cylinder head	280	20	27
Intake manifold stay x Cylinder head (4A-GE)	220	16	22
Intake manifold stay x Cylinder block (4A-GE)	220	16	22
EGR pipe x Exhaust manifold	700	51	69
EGR valve x Intake manifold	190	14	19
Exhaust manifold x Cylinder head	250	29	39



**Torque Specifications (Cont'd)**

Part tightened	kg-cm	ft-lb	N-m
Exhaust manifold stay x Exhaust manifold	400	29	39
Exhaust manifold stay x Cylinder block	400	29	39
Main bearing cap x Cylinder block	610	44	60
Connecting rod cap x Connecting rod (Hexagon nut type)	500	36	49
(12-sided nut type)	400	29	39
	90° turns		
Flywheel x Crankshaft	750	54	74
Drive plate x Crankshaft	850	61	83

**SUPERCHARGER SYSTEM****Specifications**

Supercharger pressure	M/T	0.25 kg/cm <sup>2</sup>	3.6 psi	25 kPa
	A/T	0.30 kg/cm <sup>2</sup>	4.3 psi	29 kPa
Supercharger magnet clutch resistance	at 20°C (68°F)	3.5 – 3.9 Ω		
Supercharger magnet clutch air gap		0.35 – 0.65 mm	0.0138 – 0.0256 in.	
Supercharger magnet clutch air gap adjusting shim thickness		0.1 mm	0.004 in.	
		0.3 mm	0.012 in.	
		0.5 mm	0.020 in.	
		0.7 mm	0.028 in.	
		0.9 mm	0.035 in.	
		1.1 mm	0.043 in.	

**Torque Specifications**

Part tightened	kg-cm	ft-lb	N-m
Rear plate x Housing (Bolt)	50	43 in.-lb	4.9
Rear plate x Housing (Nut)	500	36	49
Rear cover x Rear plate	50	43 in.-lb	4.9
Clutch flange x Housing	50	43 in.-lb	4.9
Clutch pulley ring nut	250	18	25
Clutch hub nut	200	14	20
No. 2 air inlet duct x Housing	95	82 in.-lb	9.4
Supercharger x Intake manifold	350	25	34
Supercharger x Bracket	600	47	64
No. 1 air inlet duct x Intake manifold	190	14	19
No. 1 air outlet duct x Housing	100	7	10
Air inlet duct stay (Duct side)	220	16	22
Air inlet duct stay (Block side)	400	29	39

**EFI SYSTEM (4A-GE)**

**Specifications**

Fuel pressure regulator	Fuel pressure at No vacuum	2.7 – 3.1 kg/cm <sup>2</sup> (38 – 44 psi, 265 – 304 kPa)	
Cold start injector	Resistance	3 – 5 Ω	
	Fuel leakage	One drop of fuel per minute or less	
Injector	Resistance	Approx. 13.8 Ω	
	Injection volume	45 – 55 cc/15 sec (2.7 – 3.4 cu in.)	
	Difference between each injector	5 cc (0.31 cu in.) or less	
	Fuel leakage	One drop of fuel per minute or less	
Throttle body	Throttle valve fully closed angle	6°	
Throttle position sensor	Clearance between stop screw and lever	Between terminals	Resistance
	0 mm 0 in.	VTA – E <sub>2</sub>	0.2 – 0.8 kΩ
	0.35 mm 0.0138 in.	IDL – E <sub>2</sub>	2.3 kΩ or less
	0.59 mm 0.0232 in.	IDL – E <sub>2</sub>	Infinity
	Throttle valve fully opened position	VTA – E <sub>2</sub>	3.3 – 10 kΩ
	—	Vcc – E <sub>2</sub>	3 – 7 kΩ
Start injector time switch	Resistance STA – STJ	20 – 40 Ω	Below 30°C (86°F)
		40 – 60 Ω	Above 40°C (104°F)
	Resistance STA – Ground	20 – 80 Ω	—
Air flow meter	Resistance	Vs – E <sub>2</sub>	20 – 400 Ω (Measuring plate fully closed) 20 – 3,000 Ω (Measuring plate fully open)
		Vc – E <sub>2</sub>	100 – 300 Ω
		Fc – E <sub>1</sub>	∞ (Measuring plate closed) 0 (Measuring plate open)
		THA – E <sub>2</sub>	10 – 20 kΩ (–20°C, –4°F) 4 – 7 kΩ (0°C, 32°F) 2 – 3 kΩ (20°C, 68°F) 0.9 – 1.3 kΩ (40°C, 104°F) 0.4 – 0.7 kΩ (60°C, 140°F)
		Vb – E <sub>2</sub>	200 – 400 Ω
Water temp. sensor and air temp. sensor	Resistance	at –20°C (–4°F)	10 – 20 kΩ
		0°C (32°F)	4 – 7 kΩ
		20°C (68°F)	2 – 3 kΩ
		40°C (104°F)	0.9 – 1.3 kΩ
		60°C (140°F)	0.4 – 0.7 kΩ
		80°C (176°F)	0.2 – 0.4 kΩ

NOTE: 1. Perform all voltage and resistance measurements with the computer connected.  
 2. Verify that the battery voltage is 11 V or above when the ignition switch is ON.  
 3. The testing probes must not make contact with the computer Ox and Vf terminals.

Terminals	STD voltage	Condition
BATT – E1	10 – 14	—
+B – E1		Ignition S/W ON
+B1 – E1		

## Specifications (Cont'd)

Terminals	STD voltage	Condition	
IDL – E2	10 – 14	Ignition S/W ON	Throttle valve open
VTA – E2	0.1 – 1.0	Ignition S/W ON	Throttle valve fully closed
	4 – 5		Throttle valve fully open
VCC – E2	4 – 6	Ignition S/W ON	
VC – E2	6 – 10	—	
VS – E2	2 – 5.5	Ignition S/W ON	Measuring plate fully closed
	6 – 9		Measuring plate fully open
	2 – 8	Idling	—
THA – E2	1 – 3	Ignition S/W ON	Intake air temperature 20°C (68°F)
THW – E2	0.1 – 1.0	Ignition S/W ON	Coolant temperature 80°C (176°F)
STA – E1	6 – 14	Ignition S/W ST position	
No. 10 – E01 No. 20 – E02	9 – 14	Ignition S/W ON	
IGT – E1	0.7 – 1.0	Idling	
T – E1	10 – 14	Ignition S/W ON	Service connector T ↔ E <sub>1</sub> not short
	0.5 or less		Service connector T ↔ E <sub>2</sub> short
A/C – E1	5 – 14	Ignition S/W ON	A/C switch ON
	0.5 or less		A/C switch OFF
W – E1	0.5 or less	Ignition S/W ON	
	9 – 14	Engine start	
S/TH – E1	0 – 2	Idling	
	10 – 14	More than 4,350 rpm	
* NSW – E1	0	Ignition S/W ON	Shift position P or N range
	10 – 14		Ex. P or N range
	6 – 11	Cranking	

\*: For A/T

Terminals	Condition	Resistance
IDL – E2	Throttle valve open	Infinity
	Throttle valve fully closed	2.3 kΩ or less
VTA – E2	Throttle valve fully open	3.3 – 10 kΩ
	Throttle valve fully closed	0.2 – 0.8 kΩ
VC – E2	—	100 – 300 Ω
VS – E2	Measuring plate fully closed	20 – 400 Ω
	Measuring plate fully open	20 – 3,000 Ω
VCC – E2	—	3 – 7 kΩ
THA – E2	Intake air temperature 20°C (68°F)	2 – 3 kΩ
THW – E2	Coolant temperature 80°C (176°F)	0.2 – 0.4 kΩ
G <sup>+</sup> – G <sup>–</sup>	—	140 – 180 Ω
Fuel cut rpm		
(w/ Vehicle speed 0 km/h and coolant temperature 80°C (176°F) and A/C switch off)		
Fuel cut rpm	1,600 rpm (A/C OFF)	1,900 rpm (A/C ON)
Fuel return rpm	1,200 rpm (A/C OFF)	1,500 rpm (A/C ON)

**Torque Specifications**

Part tightened	kg-cm	ft-lb	N·m
Pressure regulator x Delivery pipe	75	65 in.-lb	7.4
Inlet fuel tube x Delivery pipe	300	22	29
Cold start injector pipe x Delivery pipe	180	13	18
Cold start injector pipe x Cold start injector	180	13	18
Fuel return pipe x Pressure regulator	300	22	29
Fuel tank right No. 1 band x Left No. 1 band	145	10	14
Fuel tank right No. 2 band x Left No. 2 band	145	10	14
Fuel tank right No. 1 band x Body	195	14	19
Fuel inlet pipe x Fuel tank	35	30 in.-lb	3.4
Fuel pump x Fuel tank	35	30 in.-lb	3.4
Fuel sender gauge x Fuel tank	15	13 in.-lb	1.5

**EFI SYSTEM (4A-GZE)**

**Specifications**

Fuel pressure regulator	Fuel pressure at No vacuum	2.3 – 2.8 kg/cm <sup>2</sup> (33 – 40 psi, 226 – 275 kPa)	
Cold start injector	Resistance	2 – 4 Ω	
	Fuel leakage	One drop of fuel per minute or less	
Injector	Resistance	Approx. 2.9 Ω	
	Injection volume	80 – 100 cc/15 sec (4.9 – 6.1 cu in.)	
	Difference between each injector	5 cc (0.31 cu in.) or less	
	Fuel leakage	One drop of fuel per minute or less	
Throttle body	Throttle valve fully closed angle	6°	
Throttle position sensor	Clearance between stop screw and lever	Between terminals	Resistance
	0 mm 0 in.	VTA – E <sub>2</sub>	0.2 – 0.8 kΩ
	0.40 mm 0.0157 in.	IDL – E <sub>2</sub>	2.3 kΩ or less
	0.65 mm 0.0256 in.	IDL – E <sub>2</sub>	Infinity
	Throttle valve fully opened position	VTA – E <sub>2</sub>	3.3 – 10 kΩ
	—	Vcc – E <sub>2</sub>	3 – 7 kΩ
Start injector time switch	Resistance STA – STJ	20 – 40 Ω	Below 30°C (86°F)
		40 – 60 Ω	Above 40°C (104°F)
	Resistance STA – Ground	20 – 80 Ω	—
Air flow meter	Resistance Vs – E <sub>2</sub>	200 – 600 Ω	(Measuring plate fully closed)
		20 – 1,200 Ω	(Measuring plate fully open)
	Vc – E <sub>2</sub>	200 – 400 Ω	
	Fc – E <sub>1</sub>	∞	(Measuring plate closed)
		0	(Measuring plate open)

## Specifications (Cont'd)

Air flow meter (cont'd)	Resistance (cont'd) THA - E <sub>2</sub>	10 - 20 k $\Omega$ (-20°C, -4°F) 4 - 7 k $\Omega$ (0°C, 32°F) 2 - 3 k $\Omega$ (20°C, 68°F) 0.9 - 1.3 k $\Omega$ (40°C, 104°F) 0.4 - 0.7 k $\Omega$ (60°C, 140°F)
Water temp. sensor and air temp. sensor	Resistance at -20°C (-4°F) 0°C (32°F) 20°C (68°F) 40°C (104°F) 60°C (140°F) 80°C (176°F)	10 - 20 k $\Omega$ 4 - 7 k $\Omega$ 2 - 3 k $\Omega$ 0.9 - 1.3 k $\Omega$ 0.4 - 0.7 k $\Omega$ 0.2 - 0.4 k $\Omega$
Resistor	Resistance No. 10 or No. 20 - +B	3 $\Omega$
ISC Valve	Resistance ISC <sub>1</sub> - +B ISC <sub>2</sub> - +B	16 - 17 $\Omega$ 16 - 17 $\Omega$
Oxygen sensor	Heater coil resistance	5.1 - 6.3 $\Omega$
EGR gas temp. sensor	Resistance 50°C (112°F) 100°C (212°F) 150°C (302°F)	69.40 - 88.50 k $\Omega$ 11.89 - 14.37 k $\Omega$ 2.79 - 3.59 k $\Omega$

- NOTE: 1. Perform all voltage and resistance measurements with the computer connected.  
2. Verify that the battery voltage is 11 V or above when the ignition switch is ON.  
3. The testing probes must not make contact with the computer Ox and Vf terminals.

Terminals	STD voltage	Condition	
BATT - E1		-	
+B1 - E1 +B	10 - 14	Ignition S/W ON	
IDL - E2	M/T 4 - 5 A/T 10 - 14	Ignition S/W ON	Throttle valve open
VTA - E2	0.1 - 1.0 4 - 5		Throttle valve fully closed
			Throttle valve fully open
VC - E2	4 - 6		-
VC - E2	4 - 6		-
VS - E2	4 - 5	Ignition S/W ON	Measuring plate fully closed
	0.02 - 0.5		Measuring plate fully open
	2 - 4	Idling	-
No. 10 - E01 No. 20 - E02	9 - 14	Ignition S/W ON	
W - E1	0.5 or less	Ignition S/W ON	
	9 - 14	Engine start	
THA - E2	1 - 3	Ignition S/W ON	Intake air temperature 20°C (68°F)
THW - E2	0.1 - 1.0	Ignition S/W ON	Coolant temperature 80°C (176°F)
STA - E1	6 - 14	Ignition S/W ST position and press on the clutch pedal (M/T)	
IGT - E1	0.7 - 1.0	Idling	
RSC RSO - E1	9 - 14	Ignition S/W ON	

## Specifications (Cont'd)

Terminals	STD voltage	Condition	
A/C - E1	5 - 14	Ignition S/W ON	A/C switch ON
	0.5 or less		A/C switch OFF
T - E1	10 - 14	Ignition S/W ON	Service connector T ↔ E <sub>1</sub> not short
	0.5 or less		Service connector T ↔ E <sub>1</sub> short
* NSW - E1	0	Ignition S/W ON	Shift position P or N range
	10 - 14		Ex. P or N range
	6 - 11	Cranking	
Terminals	Condition		Resistance
IDL - E2	Throttle valve open		Infinity
	Throttle valve fully closed		2.3 kΩ or less
VTA - E2	Throttle valve fully open		3.3 - 10 kΩ
	Throttle valve fully closed		0.2 - 0.8 kΩ
VC - E2	-		200 - 400 Ω
VS - E2	Measuring plate fully closed		200 - 600 Ω
	Measuring plate fully open		20 - 1,200 Ω
VCC - E2	-		3 - 7 kΩ
THA - E2	Intake air temperature 20°C (68°F)		2 - 3 kΩ
THW - E2	Coolant temperature 80°C (176°F)		0.2 - 0.4 kΩ
G1 - G ⊖	-		140 - 180 Ω
G2 - G ⊖	-		140 - 180 Ω
Ne - G ⊖	-		140 - 180 Ω
Fuel cut rpm			
(w/ Vehicle speed 0 km/h and coolant temperature 80°C (176°F) and A/C switch off)		Fuel cut rpm	1,600 rpm (A/C OFF)
		Fuel return rpm	1,200 rpm (A/C OFF)
			1,900 rpm (A/C ON)
			1,500 rpm (A/C ON)

\*: For A/T

## Torque Specifications

Part tightened	kg-cm	ft-lb	N-m
Pressure regulator x Delivery pipe	75	65 in.-lb	7.4
Pulsation damper x Delivery pipe	300	22	29
Cold start injector pipe x Delivery pipe	180	13	18
Cold start injector pipe x Cold start injector	180	13	18
Fuel return pipe x Pressure regulator	150	11	15
Fuel tank right No. 1 band x Left No. 1 band	145	10	14
Fuel tank right No. 2 band x Left No. 2 band	145	10	14
Fuel tank right No. 1 band x Body	195	14	19
Fuel inlet pipe x Fuel tank	35	30 in.-lb	3.4
Fuel pump x Fuel tank	35	30 in.-lb	3.4
Fuel sender gauge x Fuel tank	15	13 in.-lb	1.5

**COOLING SYSTEM**

Radiator	Relief valve operating pressure	STD	0.75 – 1.05 kg/cm <sup>2</sup> (10.7 – 14.9 psi, 74 – 103 kPa)		
		Limit	0.6 kg/cm <sup>2</sup>	8.5 psi	59 kPa
Water pump	Bearing installing temperature		90°C	194°F	
Thermostat	Valve opening temperature				
	Starts to open at		80 – 84°C	176 – 183°F	
	Fully opens at		95°C	203°F	
	Valve opening travel		8 mm (0.31 in.) or more		

**LUBRICATION SYSTEM****Specification**

Oil pressure (normal operating temperature)						
		at Idle speed	0.3 kg/cm <sup>2</sup> (4.3 psi, 29 kPa) or more			
		at 3,000 rpm	2.5 – 5.0 kg/cm <sup>2</sup> (36 – 71 psi, 245 – 490 kPa)			
Oil pump	Body clearance	STD	0.100 – 0.191 mm	0.0039 – 0.0075 in.		
		Limit	0.20 mm	0.0079 in.		
	Tip clearance	Drive gear to crescent	STD	0.107 – 0.248 mm	0.0042 – 0.0098 in.	
			Limit	0.35 mm	0.0138 in.	
	Driven gear to crescent	STD	0.055 – 0.306 mm	0.0022 – 0.0120 in.		
		Limit	0.35 mm	0.0138 in.		
	Side clearance	STD	0.025 – 0.075 mm	0.0010 – 0.0030 in.		
		Limit	0.10 mm	0.0039 in.		

**Torque Specifications**

Part tightened	kg-cm	ft-lb	N-m
Engine oil drain plug	250	18	25
Oil pump body cover x Oil pump body	105	8	10
Oil pump x Cylinder block	218	16	21
Oil strainer x Cylinder block (oil pump)	95	82 in.-lb	9.3
Oil pan x Cylinder block	50	43 in.-lb	4.9
Exhaust manifold pipe x Converter	440	32	43
Exhaust manifold pipe x Exhaust manifold	630	46	62
Relief valve plug x No. 1 oil filter bracket	375	27	37
No. 1 oil filter bracket x Cylinder block	450	33	44
No. 2 oil filter bracket x No. 1 oil filter bracket	200	14	20
Oil cooler pipe x No. 1 oil filter bracket	300	22	29
Oil cooler union x Oil pan	250	18	25

## IGNITION SYSTEM

Ignition timing	T/M in "N" position	10° BTDC @ Idling (Check connector T – E <sub>1</sub> short)	
Spark plug	Type	4A-GE ND NGK 4A-GZE ND NGK	
	Gap	PQ16R BCPR5EP11 PQ20R BCPR6EP11 1.1 mm 0.043 in.	
High-tension cord	Resistance Limit	Less than 25 kΩ per cord	
Ignition coil	Primary coil resistance	0.5 – 0.7 Ω	
	Secondary coil resistance	11 – 16 kΩ	
Distributor	Signal generator resistance (Cold)		
	4A-GE	G ⊕ – G ⊖	140 – 180 Ω
		Ne ⊕ – Ne ⊖	140 – 180 Ω
	4A-GZE	G1 ⊕ – G1 ⊖	140 – 180 Ω
		G2 ⊕ – G2 ⊖	140 – 180 Ω
		Ne ⊕ – Ne ⊖	140 – 180 Ω

## STARTING SYSTEM

Starter	Rated voltage and output power		12 V, 1.4 kW		
	No-load characteristic		Current		
			Less than 90A		
			rpm		
			More than 3,500 rpm at 11.5 V		
	Brush length	STD	15.5 mm	0.610 in.	
		Limit	10.0 mm	0.394 in.	
	Commutator	Outer diameter	STD	30 mm	1.18 in.
			Limit	29 mm	1.14 in.
		Undercut depth	STD	0.6 mm	0.024 in.
			Limit	0.2 mm	0.008 in.
Circle runout	Limit	0.05 mm	0.0020 in.		
	Spring installed load	STD	1,785 – 2,415 g (3.9 – 5.3 lb, 18 – 24N)		

## CHARGING SYSTEM

Battery specific gravity When fully charged at 20°C (68°F)		1.25 – 1.27		
Alternator	Rated output ampere		12 V, 70A	
	Rotor coil resistance		2.8 – 3.0 Ω	
	Slip ring diameter	STD	14.2 – 14.4 mm	0.561 – 0.567 in.
		Limit	12.8 mm	0.504 in.
	Brush exposed length	STD	10.5 mm	0.413 in.
		Limit	1.5 mm	0.059 in.



**CHARGING SYSTEM (Cont'd)**

Alternator regulator (IC)	Regulating voltage		
	4A-GE	at 25°C (77°F)	13.9 – 15.1 V
		at 115°C (239°F)	13.5 – 14.3 V
	4A-GZE	at 25°C (77°F)	13.7 – 14.8 V
		at 115°C (239°F)	13.2 – 14.0 V

**CLUTCH****Specifications**

Pedal height (from asphalt sheet)			157 – 167 mm	6.18 – 6.57 in.
Push rod play at pedal top			1.0 – 5.0 mm	0.039 – 0.197 in.
Pedal freeplay			5.0 – 15.0 mm	0.197 – 0.591 in.
Release fork end play			None adjustable type	
Disc rivet head depth		Limit	0.3 mm	0.012 in.
Disc runout		Limit	0.8 mm	0.031 in.
Diaphragm spring out of alignment		Limit	0.5 mm	0.020 in.
Diaphragm spring finger wear	Depth	Limit	0.6 mm	0.024 in.
	Width	Limit	5.0 mm	0.197 in.
Flywheel runout		Limit	0.1 mm	0.004 in.

**Torque Specifications**

Part tightened	kg-cm	ft-lb	N-m	
Clutch cover x Flywheel	195	14	19	
Master cylinder set nut	130	9	13	
Release cylinder set bolt	185	13	18	
Release fork bolt				
	4A-GE	375	27	37
	4A-GZE	480	35	47
Clutch tube union	200	14	20	

## MANUAL TRANSAXLE

## Specifications

C52 transmission	Input shaft				
	Roller bearing journal diameter	Limit	24.970 mm	0.9831 in.	
	3rd gear journal diameter	Limit	30.970 mm	1.2193 in.	
	4th gear journal diameter	Limit	26.470 mm	1.0421 in.	
	5th gear journal diameter	Limit	24.870 mm	0.9791 in.	
	Runout	Limit	0.05 mm	0.0020 in.	
	Output shaft				
	Roller bearing journal diameter	Limit	32.970 mm	1.2980 in.	
	1st gear journal diameter	Limit	37.970 mm	1.4949 in.	
	2nd gear journal diameter	Limit	31.970 mm	1.2587 in.	
	Runout	Limit	0.05 mm	0.0020 in.	
	Gear thrust clearance	1st	STD	0.10 – 0.40 mm	0.0039 – 0.0157 in.
			Limit	0.45 mm	0.0177 in.
		2nd	STD	0.10 – 0.45 mm	0.0039 – 0.0177 in.
			Limit	0.50 mm	0.0197 in.
		3rd	STD	0.10 – 0.35 mm	0.0039 – 0.0138 in.
			Limit	0.40 mm	0.0157 in.
		4th	STD	0.10 – 0.55 mm	0.0039 – 0.0217 in.
			Limit	0.60 mm	0.0236 in.
		5th	STD	0.10 – 0.57 mm	0.0039 – 0.0224 in.
			Limit	0.65 mm	0.0256 in.
	Gear oil clearance				
	1st, 2nd, 3rd, 4th and 5th	STD	0.015 – 0.058 mm	0.0006 – 0.0023 in.	
		Limit	0.070 mm	0.0028 in.	
	Reverse idler	STD	0.056 – 0.092 mm	0.0022 – 0.0036 in.	
		Limit	0.120 mm	0.0047 in.	
	Shift fork to hub sleeve clearance	Limit	1.0 mm	0.039 in.	
	Synchronizer ring to gear clearance	Limit	0.6 mm	0.024 in.	
	Side bearing preload (at starting)				
		New bearing	8 – 16 kg-cm (6.9 – 13.9 in.-lb, 0.8 – 1.6 N-m)		
		Reused bearing	5 – 10 kg-cm (4.3 – 8.7 in.-lb, 0.5 – 1.0 N-m)		
Speedometer driven gear oil seal drive in depth		25 mm	0.98 in.		
Input shaft snap ring thickness					
No. 2 clutch hub	Mark				
	0	2.30 mm	0.0906 in.		
	1	2.36 mm	0.0929 in.		
	2	2.42 mm	0.0953 in.		
	3	2.48 mm	0.0976 in.		
	4	2.54 mm	0.1000 in.		
	5	2.60 mm	0.1024 in.		

## Specifications (Cont'd)

C52 transmission (cont'd)	Input shaft snap ring thickness (cont'd)			
	Input rear bearing	Mark		
		A	2.29 mm	
		B	2.35 mm	
		C	2.41 mm	
		D	2.47 mm	
		E	2.53 mm	
		F	2.59 mm	
			0.0902 in.	
			0.0925 in.	
			0.0949 in.	
			0.0972 in.	
			0.0996 in.	
			0.1020 in.	
		Output shaft snap ring thickness		
		No. 1 clutch hub	Mark	
			A	2.50 mm
			B	2.56 mm
			C	2.62 mm
			D	2.68 mm
			E	2.74 mm
			F	2.80 mm
				0.0984 in.
				0.1008 in.
				0.1031 in.
				0.1055 in.
				0.1079 in.
				0.1102 in.
		No. 3 clutch hub	Mark	
			A	2.25 mm
			B	2.31 mm
			C	2.37 mm
			D	2.43 mm
		E	2.49 mm	
		F	2.55 mm	
		G	2.61 mm	
			0.0886 in.	
			0.0909 in.	
			0.0933 in.	
			0.0957 in.	
			0.0980 in.	
			0.1004 in.	
			0.1028 in.	
	Differential side bearing shim thickness			
		Mark		
		A	2.10 mm	
		B	2.15 mm	
		C	2.20 mm	
		D	2.25 mm	
		E	2.30 mm	
		F	2.35 mm	
		G	2.40 mm	
		H	2.45 mm	
		J	2.50 mm	
		K	2.55 mm	
		L	2.60 mm	
		M	2.65 mm	
		N	2.70 mm	
		P	2.75 mm	
		Q	2.80 mm	
		R	2.85 mm	
		S	2.90 mm	
		T	2.95 mm	
		U	3.00 mm	
			0.0827 in.	
			0.0846 in.	
			0.0866 in.	
			0.0886 in.	
			0.0906 in.	
			0.0925 in.	
			0.0945 in.	
			0.0965 in.	
			0.0984 in.	
			0.1004 in.	
			0.1024 in.	
			0.1043 in.	
			0.1063 in.	
			0.1083 in.	
			0.1102 in.	
			0.1122 in.	
			0.1142 in.	
			0.1161 in.	
			0.1181 in.	

## Specifications (Cont'd)

E51 transmission	Input shaft				
	3rd and 4th gear journal diameter	Limit	35.950 mm	1.4154 in.	
	5th gear journal diameter	Limit	32.930 mm	1.2965 in.	
	Runout	Limit	0.05 mm	0.0020 in.	
	Output shaft				
	Roller bearing journal diameter	Limit	32.070 mm	1.2626 in.	
	1st and 2nd gear journal diameter	Limit	38.950 mm	1.5335 in.	
	Runout	Limit	0.06 mm	0.0024 in.	
	Gear thrust clearance	1st	STD	0.10 – 0.35 mm	0.0039 – 0.0138 in.
			Limit	0.40 mm	0.0157 in.
		2nd	STD	0.10 – 0.45 mm	0.0039 – 0.0177 in.
			Limit	0.50 mm	0.0197 in.
		3rd	STD	0.10 – 0.35 mm	0.0039 – 0.0138 in.
			Limit	0.40 mm	0.0157 in.
		4th	STD	0.10 – 0.55 mm	0.0039 – 0.0217 in.
			Limit	0.60 mm	0.0236 in.
		5th	STD	0.10 – 0.57 mm	0.0039 – 0.0224 in.
			Limit	0.62 mm	0.0244 in.
	Gear oil clearance				
	1st and 4th	STD	0.009 – 0.051 mm	0.0004 – 0.0020 in.	
		Limit	0.070 mm	0.0028 in.	
	2nd and 3rd	STD	0.009 – 0.053 mm	0.0004 – 0.0021 in.	
		Limit	0.070 mm	0.0028 in.	
	5th	STD	0.009 – 0.050 mm	0.0004 – 0.0020 in.	
		Limit	0.070 mm	0.0028 in.	
	Reverse idler	STD	0.056 – 0.090 mm	0.0022 – 0.0035 in.	
		Limit	0.120 mm	0.0047 in.	
	Shift fork to hub sleeve clearance	Limit	1.0 mm	0.039 in.	
	Synchronizer ring to gear clearance	Limit	0.6 mm	0.024 in.	
	Output shaft bearing preload (at starting)				
		New bearing	8 – 16 kg-cm (6.9 – 13.9 in.-lb, 0.8 – 1.6 N-m)		
		Reused bearing	5 – 10 kg-cm (4.3 – 8.7 in.-lb, 0.5 – 1.0 N-m)		
	Side bearing preload (at starting)				
	New bearing	Output shaft bearing preload +1.9 – 3.7 kg-cm (1.6 – 3.2 in.-lb, 0.2 – 0.4 N-m)			
	Reused bearing	Output shaft bearing preload +1.2 – 2.3 kg-cm (1.0 – 2.0 in.-lb, 0.1 – 0.2 N-m)			
Speedometer driven gear oil seal drive in depth		33 mm	1.30 in.		
Oil pump					
Body clearance	STD	0.10 – 0.16 mm	0.004 – 0.006 in.		
	Limit	0.30 mm	0.012 in.		
Tip clearance	STD	0.08 – 0.15 mm	0.003 – 0.006 in.		
	Limit	0.30 mm	0.012 in.		
Side clearance	STD	0.03 – 0.08 mm	0.001 – 0.003 in.		
	Limit	0.15 mm	0.006 in.		

## Specifications (Cont'd)

E51 transmission (cont'd)	Input shaft snap ring thickness				
	No. 2 clutch hub	Mark			
		H	2.30 mm	0.0906 in.	
		J	2.35 mm	0.0925 in.	
		K	2.40 mm	0.0945 in.	
		L	2.45 mm	0.0965 in.	
		M	2.50 mm	0.0984 in.	
		N	2.55 mm	0.1004 in.	
		P	2.60 mm	0.1024 in.	
		Input rear bearing	Mark		
			1	2.35 mm	0.0925 in.
			2	2.40 mm	0.0945 in.
			3	2.45 mm	0.0965 in.
			4	2.50 mm	0.0984 in.
			5	2.55 mm	0.1004 in.
			6	2.60 mm	0.1024 in.
			7	2.65 mm	0.1043 in.
			8	2.70 mm	0.1063 in.
		Output shaft snap ring thickness			
		No. 1 clutch hub	Mark		
			A	2.80 mm	0.1102 in.
			B	2.85 mm	0.1122 in.
			C	2.90 mm	0.1142 in.
			D	2.95 mm	0.1161 in.
			E	3.00 mm	0.1181 in.
			F	3.05 mm	0.1201 in.
			G	3.10 mm	0.1220 in.
		No. 3 clutch hub	Mark		
			Q	2.25 mm	0.0886 in.
			R	2.30 mm	0.0906 in.
			S	2.35 mm	0.0925 in.
			T	2.40 mm	0.0945 in.
			U	2.45 mm	0.0965 in.
		V	2.50 mm	0.0984 in.	
		W	2.55 mm	0.1004 in.	
		X	2.60 mm	0.1024 in.	
		Y	2.65 mm	0.1043 in.	
	Output shaft rear bearing adjusting shim thickness	Mark			
		0	1.30 mm	0.0512 in.	
		1	1.35 mm	0.0531 in.	
		2	1.40 mm	0.0551 in.	
		3	1.45 mm	0.0571 in.	
		4	1.50 mm	0.0591 in.	
		5	1.55 mm	0.0610 in.	
		6	1.60 mm	0.0630 in.	
		7	1.65 mm	0.0650 in.	
		8	1.70 mm	0.0669 in.	
		9	1.75 mm	0.0689 in.	

## Specifications (Cont'd)

E51 transmission (cont'd)	Output shaft rear bearing adjusting shim thickness (cont'd)		Mark		
			A	1.80 mm 0.0709 in.	
			B	1.85 mm 0.0728 in.	
			C	1.90 mm 0.0748 in.	
			D	1.95 mm 0.0768 in.	
			E	2.00 mm 0.0787 in.	
			F	2.05 mm 0.0807 in.	
			G	2.10 mm 0.0827 in.	
			H	2.15 mm 0.0846 in.	
			J	2.20 mm 0.0866 in.	
			K	2.25 mm 0.0886 in.	
			L	2.30 mm 0.0906 in.	
			M	2.35 mm 0.0925 in.	
			N	2.40 mm 0.0945 in.	
			P	2.45 mm 0.0965 in.	
			Q	2.50 mm 0.0984 in.	
		Differential pinion to side gear backlash		0.05 – 0.20 mm 0.0020 – 0.0079 in.	
		Differential runout	Limit	0.07 mm 0.0028 in.	
		Differential side gear thrust washer thickness		0.80 mm 0.0315 in.	
				0.90 mm 0.0354 in.	
				1.00 mm 0.0394 in.	
				1.10 mm 0.0433 in.	
				1.20 mm 0.0472 in.	
				1.30 mm 0.0512 in.	
				1.40 mm 0.0551 in.	
		Differential side bearing adjusting shim thickness		Mark	
				0	2.00 mm 0.0787 in.
				1	2.05 mm 0.0807 in.
				2	2.10 mm 0.0827 in.
				3	2.15 mm 0.0846 in.
				4	2.20 mm 0.0866 in.
				5	2.25 mm 0.0886 in.
				6	2.30 mm 0.0906 in.
			7	2.35 mm 0.0925 in.	
			8	2.40 mm 0.0945 in.	
			9	2.45 mm 0.0965 in.	
			A	2.50 mm 0.0984 in.	
			B	2.55 mm 0.1004 in.	
			C	2.60 mm 0.1024 in.	
			D	2.65 mm 0.1043 in.	
			E	2.70 mm 0.1063 in.	
			F	2.75 mm 0.1083 in.	
			G	2.80 mm 0.1102 in.	
			H	2.85 mm 0.1122 in.	

## Torque Specifications

C52 transmission	Part tightened	kg-cm	ft-lb	N-m
	Transmission case x Transaxle case	300	22	29
	Transmission case x Case cover	185	13	18
	Transmission case protector	130	9	13
	Rear bearing retainer	195	14	19
	Output shaft bearing lock plate	115	8	11
	5th driven gear lock nut	1,200	87	118
	Reverse idler shaft lock bolt	240	17	24
	Control shaft cover bolt	200	14	20
	Reverse shift arm bracket	175	13	17
	Shift fork x Lock bolt	160	12	16
	Reverse restrict pin holder	200	14	20
	Filler plug	400	29	39
	Drain plug	400	29	39
	Back-up light switch	410	30	40
	Front bearing retainer	110	8	11
	Speedometer driven gear lock plate	115	8	11
	Straight screw plug (shift fork shaft)	250	18	25
	Lock ball assembly	400	29	39
	Shift lever lock nut	120	9	12
	Transaxle x Engine 12 mm bolt	650	47	64
	10 mm bolt	470	34	46
	Engine mounting LH	530	38	52
	Rear engine mounting	530	38	52
	Front engine mounting	530	38	52
	Insulator set bolt	800	58	78
	Starter x Transaxle	400	29	39
	Drive shaft x Side gear	370	27	36
	Transaxle protector bolt	130	9	13
	Exhaust pipe x Exhaust manifold	630	46	62
	Control cable bracket Transaxle side	650	47	64
	Release cylinder side	185	13	18
	No. 2 control cable bracket bolt	195	14	19
	Water inlet set bolt	200	14	20
	Selecting bellcrank support set bolt	195	14	19
	Control cable x Linkage	135	10	13
	Selecting bellcrank set bolt	120	9	12
E51 transmission	Transmission case x Transaxle case	300	22	29
	Transmission case x Case cover	300	22	29
	Transmission case protector	175	13	17
	Transaxle case x Transaxle case cover	550	38	54
	Rear bearing retainer	430	31	42
	5th driven gear lock nut	1,250	90	123
	Reverse idler shaft lock bolt	300	22	29
	Control shaft cover bolt	200	14	20
	Reverse shift arm bracket	175	13	17

**Torque Specifications (Cont'd)**

E51 transmission (cont'd)	Part tightened	kg-cm	ft-lb	N·m
	Shift fork x Lock bolt	240	17	24
	Reverse restrict pin holder	130	9	13
	Filler plug	500	36	49
	Drain plug	500	36	49
	Back-up light switch	410	30	40
	Straight screw plug (shift fork shaft)	250	18	25
	Shift lever lock nut	120	9	12
	Transaxle x Engine 12 mm bolt	650	47	64
	10 mm bolt	470	34	46
	Engine mounting LH	530	38	52
	Rear engine mounting	530	38	52
	Front engine mounting	530	38	52
	Insulator set bolt	800	58	78
	Starter x Transaxle	400	29	39
	Drive shaft x Side gear	660	48	65
	Transaxle protector bolt	175	13	17
	Exhaust pipe x Exhaust manifold	630	46	62
	Control cable bracket Transaxle side	650	47	64
	Release cylinder side	185	13	18
	Water inlet set bolt	200	14	20
	Selecting bellcrank support set bolt	200	14	20
	Control cable x Linkage	135	10	13
	Selecting bellcrank set bolt	120	9	12
	Oil pipe clamp	175	13	17
	Elbow	275	20	27
	Oil cooler tube	350	25	34
	Ring gear x Differential case	1,260	91	124
	Differential case No. 1 x No. 2	640	46	63
	Intercooler x Body bracket	175	13	17



## AUTOMATIC TRANSAXLE

### Automatic Transmission

### Specifications (A240E/4A-GE)

Line pressure										
Engine idling	D range	3.7 – 4.3 kg/cm <sup>2</sup> (53 – 61 psi, 363 – 422 kPa)								
	R range	5.4 – 7.2 kg/cm <sup>2</sup> (77 – 102 psi, 530 – 706 kPa)								
At stall	D range	9.2 – 10.7 kg/cm <sup>2</sup> (131 – 152 psi, 902 – 1,049 kPa)								
	R range	14.4 – 16.8 kg/cm <sup>2</sup> (205 – 239 psi, 1,412 – 1,648 kPa)								
Engine idle speed (Cooling fan and A/C OFF)		800 rpm								
Engine stall revolution		2,150 ± 150 rpm								
Time lag	N range → D range	Less than 1.2 seconds								
	N range → R range	Less than 1.5 seconds								
Throttle cable adjustment (Throttle valve fully opened)		Between boot end face and inner cable stopper								
		0 – 1 mm		0 – 0.04 in.						
Input shaft thrust play		0.2 – 0.9 mm		0.008 – 0.035 in.						
Torque converter runout		Limit		Less than 0.30 mm (0.0118 in.)						
Drive plate runout		Limit		Less than 0.20 mm (0.0079 in.)						
Shift point km/h (mph)			Throttle valve fully open [ ] Fully closed							
			1→2	2→3	3→OD	[3→OD]	[OD→3]	OD→3	3→2	2→1
	D range	NORM	48–53 (30–33)	93–101 (58–63)	146–155 (91–96)	31–35 (19–22)	20–24 (12–15)	137–146 (85–91)	87–95 (54–59)	43–47 (27–29)
		PWR	60–65 (37–40)	109–117 (68–73)	177–187 (110–116)	47–51 (29–32)	20–24 (12–15)	169–178 (105–111)	103–111 (64–69)	43–47 (27–29)
	2 range	NORM PWR	60–65 (37–40)	–	–	–	–	–	–	43–47 (27–29)
L range	NORM PWR	–	–	–	–	–	–	–	50–54 (31–34)	
Lock-up point km/h (mph)			Throttle valve opening 5%							
			Lock-up ON			Lock-up OFF				
			2nd	3rd	OD	2nd	3rd	OD		
	D range	NORM	–	*64–69 (40–43)	67–72 (42–45)	–	*50–54 (31–34)	61–66 (38–41)		
		PWR	–	*83–91 (52–57)	78–83 (48–52)	–	*73–78 (45–48)	66–70 (41–44)		
* OD switch OFF										
Valve body spring mm (in.)	Spring		Free length	Coil outer diameter	No. coils	Wire diameter	Color			
	Upper valve body									
	Primary regulator valve		66.65 (2.6240)	18.6 (0.732)	12.5	1.6 (0.063)	Purple			
	Lock-up relay valve		18.80 (0.7402)	5.1 (0.201)	14.5	0.5 (0.020)	None			
	Low coast modulator valve		27.51 (1.0831)	8.3 (0.327)	12.5	0.9 (0.035)	Yellow			
	Kick-down valve		29.76 (1.1717)	8.73 (0.3437)	13.5	1.0 (0.039)	White			
	Throttle valve		29.18 (1.1488)	9.2 (0.362)	9.5	0.7 (0.028)	Yellow Green			
	Throttle modulator valve		29.90 (1.1772)	9.0 (0.354)	15.5	0.9 (0.035)	Green			
Accumulator control valve		35.90 (1.4134)	10.0 (0.394)	11.5	0.9 (0.035)	Blue				

## Specifications (A240E/4A-GE) (Cont'd)

Valve body spring (cont'd) mm (in.)	Spring	Free length	Coil outer diameter	No. coils	Wire diameter	Color	
	Lower valve body						
	Secondary regulator valve	27.41 (1.0791)	11.0 (0.433)	11.5	1.4 (0.055)	Blue	
	1-2 shift valve	30.77 (1.2114)	9.7 (0.382)	10.5	0.9 (0.035)	Purple	
	3-4 shift valve	30.77 (1.2114)	9.7 (0.382)	10.5	0.9 (0.035)	Purple	
	2-3 shift valve	30.77 (1.2114)	9.7 (0.382)	10.5	0.9 (0.035)	Purple	
	2nd coast modulator valve	29.63 (1.1665)	8.3 (0.327)	12.5	1.0 (0.039)	Red	
	Lock-up signal valve	30.00 (1.1811)	8.2 (0.323)	11.5	0.7 (0.028)	Orange	
Accumulator piston spring mm (in.)		Free length	Coil outer diameter	No. coils	Wire diameter	Color	
	B <sub>4</sub> (Underdrive)	65.42 (2.5756)	18.00 (0.7087)	13.0	2.60 (0.1024)	None	
	B <sub>2</sub>	66.68 (2.6252)	17.34 (0.6827)	16	2.80 (0.1102)	Red	
	C <sub>1</sub>	Inner	42.50 (1.6732)	17.30 (0.6811)	9.5	2.30 (0.0906)	None
		Outer	71.10 (2.7992)	23.20 (0.9134)	12.5	2.30 (0.0906)	White
	C <sub>2</sub>		62.68 (2.4677)	17.20 (0.6772)	20	2.20 (0.0866)	Light Green
C <sub>3</sub>		61.47 (2.4201)	15.73 (0.6193)	14.5	2.30 (0.0906)	White	
Clutch piston return spring mm (in.)	Forward clutch (C <sub>1</sub> )	14.90 (0.5866)	7.70 (0.3031)	8	1.10 (0.0433)	—	
Oil pump	Side clearance	STD	0.02 – 0.05 mm	0.0008 – 0.0020 in.			
		Limit	0.1 mm	0.004 in.			
	Body clearance	STD	0.07 – 0.15 mm	0.0028 – 0.0059 in.			
Limit		0.3 mm	0.012 in.				
Tip clearance	Driven gear	STD	0.11 – 0.14 mm	0.0043 – 0.0055 in.			
		Limit	0.3 mm	0.012 in.			
Clutch piston stroke	Forward clutch (C <sub>1</sub> )		1.42 – 1.81 mm	0.0559 – 0.0713 in.			
	Direct clutch (C <sub>2</sub> )		1.13 – 1.50 mm	0.0445 – 0.0591 in.			
	Underdrive clutch (C <sub>3</sub> )		1.47 – 1.89 mm	0.0579 – 0.0744 in.			
Brake piston stroke	Second coast brake (B <sub>1</sub> )		1.5 – 3.0 mm	0.059 – 0.118 in.			
Bushing mm (in.)	Bushing		Finished bore		Bore limit		
	Stator Support	Front	21.500 – 21.526 (0.8465 – 0.8475)		21.576 (0.8494)		
		Rear	27.000 – 27.026 (1.0630 – 1.0640)		27.076 (1.0660)		
	Oil pump body		38.113 – 38.138 (1.5005 – 1.5015)		38.188 (1.5035)		
	Direct clutch drum		47.000 – 47.025 (1.8504 – 1.8514)		47.075 (1.8533)		
	Front planetary ring gear flange		19.025 – 19.050 (0.7490 – 0.7500)		19.100 (0.7520)		
	Input sun gear Front and Rear		22.025 – 22.046 (0.8671 – 0.8680)		22.096 (0.8699)		

## Specifications (A241E/4A-GZE)

Line pressure										
Engine idling	D range	3.7 – 4.3 kg/cm <sup>2</sup> (53 – 61 psi, 363 – 422 kPa)								
	R range	6.3 – 8.1 kg/cm <sup>2</sup> (90 – 115 psi, 618 – 794 kPa)								
At stall	D range	9.2 – 10.7 kg/cm <sup>2</sup> (131 – 152 psi, 902 – 1,049 kPa)								
	R range	15.9 – 19.3 kg/cm <sup>2</sup> (226 – 274 psi, 1,559 – 1,893 kPa)								
Engine idle speed (Cooling fan and A/C OFF)		800 rpm								
Engine stall revolution		2,650 ± 150 rpm								
Time lag	N range → D range	Less than 1.2 seconds								
	N range → R range	Less than 1.5 seconds								
Throttle cable adjustment (Throttle valve fully opened)		Between boot end face and inner cable stopper								
		0 – 1 mm				0 – 0.04 in.				
Input shaft thrust play		0.2 – 0.9 mm 0.008 – 0.035 in.								
Torque converter runout		Limit		Less than 0.30 mm (0.0118 in.)						
Drive plate runout		Limit		Less than 0.20 mm (0.0079 in.)						
Shift point km/h (mph)			Throttle valve fully open [ ] Fully closed							
			1→2	2→3	3→OD	[3→OD]	[OD→3]	OD→3	3→2	2→1
	D range	NORM	46–50 (29–31)	88–96 (55–60)	132–140 (82–87)	30–35 (19–22)	19–23 (12–14)	126–134 (78–83)	82–90 (51–56)	42–46 (26–29)
		PWR	51–56 (32–35)	95–103 (59–64)	150–159 (93–99)	40–46 (25–29)	19–23 (12–14)	143–152 (89–94)	89–97 (55–60)	42–46 (26–29)
	2 range	NORM	51–56 (32–35)	–	–	–	–	–	–	42–46 (26–29)
	PWR	–	–	–	–	–	–	–	–	
L range	NORM	–	–	–	–	–	–	–	46–50 (29–31)	
	PWR	–	–	–	–	–	–	–	–	
Lock-up point km/h (mph)			Throttle valve opening 5%							
			Lock-up ON			Lock-up OFF				
			2nd	3rd	OD	2nd	3rd	OD		
	D range	NORM	–	*66–70 (41–43)	54–59 (34–37)	–	*60–65 (37–40)	51–56 (32–35)		
		PWR	–	*103–112 (64–70)	81–89 (50–55)	–	*95–103 (59–64)	77–82 (48–51)		
* OD switch OFF										
Valve body spring mm (in.)	Spring		Free length	Coil outer diameter	No. coils	Wire diameter	Color			
	Upper valve body									
	Primary regulator valve		66.65 (2.6240)	18.6 (0.732)	12.5	1.6 (0.063)	Purple			
	Lock-up relay valve		18.80 (0.7402)	5.1 (0.201)	14.5	0.5 (0.020)	None			
	Low coast modulator valve		27.51 (1.0831)	8.3 (0.327)	12.5	0.9 (0.035)	Yellow			
	Kick-down valve		29.76 (1.1717)	8.73 (0.3437)	13.5	1.0 (0.039)	White			
	Throttle valve		29.18 (1.1488)	9.2 (0.362)	9.5	0.7 (0.028)	Yellow Green			
	Throttle modulator valve		29.90 (1.1772)	9.0 (0.354)	15.5	0.9 (0.035)	Green			
Accumulator control valve		35.90 (1.4134)	10.0 (0.394)	11.5	0.9 (0.035)	Blue				

**Specifications (A241E/4A-GZE) (Cont'd)**

Valve body spring (cont'd) mm (in.)	Spring	Free length	Coil outer diameter	No. coils	Wire diameter	Color
	Lower valve body					
	Secondary regulator valve	27.41 (1.0791)	11.0 (0.433)	11.5	1.4 (0.055)	Blue
	1-2 shift valve	30.77 (1.2114)	9.7 (0.382)	10.5	0.9 (0.035)	Purple
	3-4 shift valve	30.77 (1.2114)	9.7 (0.382)	10.5	0.9 (0.035)	Purple
	2-3 shift valve	30.77 (1.2114)	9.7 (0.382)	10.5	0.9 (0.035)	Purple
	2nd coast modulator valve	29.63 (1.1665)	8.3 (0.327)	12.5	1.0 (0.039)	Red
	Lock-up signal valve	30.00 (1.1811)	8.2 (0.323)	11.5	0.7 (0.028)	Orange
Accumulator piston spring mm (in.)		Free length	Coil outer diameter	No. coils	Wire diameter	Color
	B <sub>4</sub> (Underdrive)	65.42 (2.5756)	18.00 (0.7087)	13.0	2.60 (0.1024)	None
	B <sub>2</sub>	66.68 (2.6251)	17.40 (0.6850)	15.5	2.70 (0.1063)	Gray
	C <sub>1</sub> Inner	41.00 (1.6142)	16.45 (0.6476)	9.5	2.60 (0.1024)	Pink
	Outer	74.07 (2.9161)	22.69 (0.8933)	13	2.40 (0.0945)	Pink
	C <sub>2</sub>	62.68 (2.4677)	17.20 (0.6772)	20	2.20 (0.0866)	Light Green
	C <sub>3</sub>	61.47 (2.4201)	15.73 (0.6193)	14.5	2.30 (0.0906)	White
Clutch piston return spring mm (in.)	Forward clutch (C <sub>1</sub> )	14.90 (0.5866)	7.70 (0.3031)	8	1.10 (0.0433)	Yellow
Oil pump	Side clearance	STD Limit	0.02 – 0.05 mm 0.1 mm		0.0008 – 0.0020 in. 0.004 in.	
	Body clearance	STD Limit	0.07 – 0.15 mm 0.3 mm		0.0028 – 0.0059 in. 0.012 in.	
	Tip clearance Driven gear	STD Limit	0.11 – 0.14 mm 0.3 mm		0.0043 – 0.0055 in. 0.012 in.	
Clutch piston stroke	Forward clutch (C <sub>1</sub> )		1.42 – 1.81 mm		0.0559 – 0.0713 in.	
	Direct clutch (C <sub>2</sub> )		1.13 – 1.50 mm		0.0445 – 0.0591 in.	
	Underdrive clutch (C <sub>3</sub> )		1.47 – 1.89 mm		0.0579 – 0.0744 in.	
Brake piston stroke	Second coast brake (B <sub>1</sub> )		1.5 – 3.0 mm		0.059 – 0.118 in.	
Bushing mm (in.)	Bushing		Finished bore		Bore limit	
	Stator Support	Front	21.500 – 21.526 (0.8465 – 0.8475)		21.576 (0.8494)	
		Rear	27.000 – 27.026 (1.0630 – 1.0640)		27.076 (1.0660)	
	Oil pump body		38.113 – 38.138 (1.5005 – 1.5015)		38.188 (1.5035)	
	Direct clutch drum		47.000 – 47.025 (1.8504 – 1.8514)		47.075 (1.8533)	
	Front planetary ring gear flange		19.025 – 19.050 (0.7490 – 0.7500)		19.100 (0.7520)	
	Input sun gear Front and Rear		22.025 – 22.046 (0.8671 – 0.8680)		22.096 (0.8699)	

## Torque Specifications

Part tightened	kg-cm	ft-lb	N·m
Engine mounting	530	38	52
Transaxle housing x Engine	650	47	64
Drive plate x Crank shaft	650	47	64
Torque converter x Drive plate	280	20	27
Oil pump x Transaxle case	250	18	25
Oil pump body x Stator shaft	100	7	10
Second coast brake band guide	55	48 in.-lb	5.4
Upper valve body x Lower valve body	65	56 in.-lb	6.4
Valve body	100	7	10
Accumulator cover	100	7	10
Oil strainer	100	7	10
Oil pan	50	43 in.-lb	4.9
Oil pan drain plug	175	13	17
Cooler pipe union nut x Union elbow	350	25	34
Union elbow x Transaxle case	275	20	27
Testing plug	75	65 in.-lb	7.4
Parking lock pawl bracket	75	65 in.-lb	7.4
Transaxle rear cover x Transaxle case	300	22	29
Neutral start switch x Transaxle case	55	48 in.-lb	5.4
Neutral start switch	70	61 in.-lb	6.9

## Differential

### Specifications

Side bearing preload (at starting)	New bearing	8 – 14 kg-cm	6.9 – 12.2 in.-lb	0.8 – 1.4 N·m	
	Reused bearing	4 – 7 kg-cm	3.5 – 6.1 in.-lb	0.4 – 0.7 N·m	
Pinion to side gear backlash		0.05 – 0.20 mm	0.0020 – 0.0079 in.		
Side gear thrust washer thickness		0.95 mm	0.0374 in.		
		1.00 mm	0.0394 in.		
		1.05 mm	0.0413 in.		
		1.10 mm	0.0433 in.		
		1.15 mm	0.0453 in.		
		1.20 mm	0.0472 in.		
	Side bearing adjusting shim thickness		2.00 mm	0.0787 in.	
			2.05 mm	0.0807 in.	
			2.10 mm	0.0827 in.	
			2.15 mm	0.0846 in.	
		2.20 mm	0.0866 in.		
		2.25 mm	0.0886 in.		
		2.30 mm	0.0906 in.		
		2.35 mm	0.0925 in.		
		2.40 mm	0.0945 in.		

**Specifications (Cont'd)**

Side bearing adjusting shim thickness (cont'd)	2.45 mm	0.0965 in.
	2.50 mm	0.0984 in.
	2.55 mm	0.1004 in.
	2.60 mm	0.1024 in.
	2.65 mm	0.1043 in.
	2.70 mm	0.1063 in.
	2.75 mm	0.1083 in.
	2.80 mm	0.1102 in.
	2.85 mm	0.1122 in.
	2.90 mm	0.1142 in.

**Torque Specifications**

Part tightened	kg-cm	ft-lb	N-m
Ring gear x Differential case	985	71	97
Transaxle housing x Transmission case	300	22	29

**FRONT AXLE AND SUSPENSION**

**Specifications**

Cold tire inflation pressure		2.1 kg/cm <sup>2</sup>	30 psi	210 kPa
Chassis ground clearance		Front		Rear
		221 mm (8.70 in.)		205 mm (8.07 in.)
Front wheel alignment	Inspection STD		Adjustment STD	
	Toe-in	1 ± 2 mm (0.04 ± 0.08 in.)		1 ± 1 mm (0.04 ± 0.04 in.)
	Camber	0°15' ± 45'		0°15' ± 30'
	Left-right error	30' or less		30' or less
	Steering axis inclination	12°05' ± 45'		—
	Left-right error	30' or less		
	Caster	5°05' ± 45'		5°05' ± 30'
	Left-right error	30' or less		30' or less
Side slip	3.0 mm/m (0.118 in./3.3 ft) or less			
Wheel angle	Max.	Inside wheel	36°30' ± 1°	
		Outside wheel (Reference)	32°00'	
	at 20° (Outside wheel)	Inside wheel	21°	
Disc wheel lateral runout	Max. limit	1.2 mm	0.047 in.	
Hub axial play	Max. limit	0.05 mm	0.0020 in.	
Ball joint vertical play	Max. limit	0 mm	0 in.	

**Torque Specifications**

Part tightened	kg-cm	ft-lb	N·m
Steering knuckle x Shock absorber	1,450	105	142
Steering knuckle x Tie rod end	500	36	49
Steering knuckle x Ball joint	820	59	80
Stabilizer link x Stabilizer bar	650	47	64
Stabilizer bar link x Shock absorber	650	47	64
Steering knuckle x Disc brake caliper	900	65	88
Suspension support x Piston rod	500	36	49
Suspension support x Body	360	26	35
Brake caliper union bolt	310	22	30
Strut bar x Lower arm	1,150	83	113
Strut bar x Body	1,150	83	113
Stabilizer bar bracket x Body	195	14	19

**REAR AXLE AND SUSPENSION**

**Specifications**

Rear wheel alignment	Inspection STD		Adjustment STD		
	Toe-in	5 ± 2 mm (0.20 ± 0.08 in.)		5 ± 1 mm (0.20 ± 0.04 in.)	
Camber Left-right error	-55' ± 45' 30' or less		-55' ± 30' 30' or less		
Rear axle and suspension	Disc wheel lateral runout	Limit	1.2 mm (0.047 in.) or less		
	Hub bearing axial direction play	Limit	0.05 mm	0.0020 in.	
	Drive shaft grease capacity				
	Outboard joint		120 – 130 g	0.26 – 0.29 lb	
	Inboard joint	4A-GE	M/T	212 – 222 g	0.47 – 0.49 lb
			A/T	165 – 175 g	0.36 – 0.39 lb
		4A-GZE		90 – 100 g	0.20 – 0.22 lb
	Side gear shaft	4A-GZE		43 – 53 g	0.09 – 0.12 lb
	Drive shaft length				
	LH	4A-GE	M/T	434.2 – 444.2 mm	17.09 – 17.49 in.
			A/T	431.3 – 441.3 mm	16.98 – 17.37 in.
		4A-GZE	M/T	382.2 – 392.2 mm	15.05 – 15.44 in.
			A/T	410.9 – 420.9 mm	16.18 – 16.57 in.
RH	4A-GE	M/T	679.9 – 689.9 mm	26.77 – 27.16 in.	
		A/T	681.8 – 691.8 mm	26.84 – 27.24 in.	
	4A-GZE	M/T	680.6 – 690.6 mm	26.80 – 27.19 in.	
		A/T	699.4 – 709.4 mm	27.54 – 27.93 in.	
Ball joint vertical play		Limit	0 mm	0 in.	
Ball joint rotation condition			10 – 30 kg-cm (9 – 26 in.-lb, 1.0 – 2.9 N·m)		

## Torque Specifications

Part tightened	kg-cm	ft-lb	N·m	
Axle carrier x Shock absorber	2,300	166	226	
Lower ball joint x Axle carrier	1,150	83	113	
Suspension support x Body	320	23	31	
Suspension support x Shock absorber piston rod	740	54	73	
Lower arm x Ball joint	930	67	91	
Lower arm x Body	1,300	94	127	
Lower arm x Strut rod	1,190	86	117	
Strut rod x Body	1,150	83	113	
Suspension arm x Axle carrier	500	36	49	
Suspension arm x Body	1,000	72	98	
Brake caliper x Axle carrier	600	43	59	
Tie rod end x Axle carrier	500	36	49	
Wheel bearing lock nut	1,900	137	186	
Side gear shaft x Drive shaft	4A-GE 4A-GZE	370 660	27 48	36 65

## BRAKE SYSTEM

### Specifications

Brake pedal	Pedal height (from asphalt sheet)		154 – 164 mm	6.06 – 6.46 in.
	Pedal freeplay		3 – 6 mm	0.12 – 0.24 in.
	Pedal reserve distance	at 50 kg (110.2 lb, 490 N)		
		4A-GE	More than 87 mm (3.43 in.)	
		4A-GZE	More than 77 mm (3.03 in.)	
Brake booster	Booster push rod to piston clearance			
	w/ SST		0 mm	0 in.
Front brake	Pad thickness	STD	10.0 mm	0.394 in.
		Limit	3.0 mm	0.118 in.
	Disc thickness	STD	22.0 mm	0.866 in.
		Limit	21.0 mm	0.827 in.
Disc runout	Limit	0.13 mm	0.0051 in.	
Rear brake	Pad thickness	STD	10.0 mm	0.394 in.
		Limit	1.0 mm	0.039 in.
	Disc thickness	STD	10.0 mm	0.394 in.
		Limit	9.0 mm	0.354 in.
Disc runout	Limit	0.15 mm	0.0059 in.	
Parking brake	Lever travel	at 20 kg (44.1 lb, 196 N)	5 – 8 clicks	



## Torque Specifications

Part tightened	kg-cm	ft-lb	N·m
Piston stopper bolt x Master cylinder	100	7	10
Reservoir union bolt x Master cylinder	550	40	54
Reservoir set bolt x Master cylinder	250	18	25
Master cylinder x Brake booster	130	9	13
Brake tube union nut	155	11	15
Brake booster x Pedal bracket	130	9	13
Brake booster clevis lock nut	260	19	25
Front disc brake cylinder installation bolt	255	18	25
Front disc brake torque plate x Steering knuckle	900	65	88
Flexible hose	310	22	30
Bleeder plug	85	74 in.-lb	8.3
Rear disc brake cylinder installation bolt	200	14	20
Rear disc brake torque plate x Rear axle carrier	600	43	59

## STEERING

### Specifications

Steering	Steering wheel freeplay		30 mm (1.18 in.) or less
	Steering rack runout	Limit	0.3 mm 0.012 in.
	Pinion bearing preload	at Turning	2.3 – 3.3 kg-cm (2.0 – 2.9 in.-lb, 0.2 – 0.3 N·m)
	Total preload	at Turning	5.0 – 13.0 kg-cm (4.3 – 11.3 in.-lb, 0.5 – 1.3 N·m)

### Torque Specifications

Steering column	Part tightened	kg-cm	ft-lb	N·m
Steering column	Steering wheel x Steering main shaft	350	25	34
	Universal joint	360	26	35
	Tilt steering support x Body	260	19	25
	Breakaway bracket x Body	260	19	25
	Tilt steering support x Pedal bracket stay	185	13	18
	Upper bracket x Steering column tube	195	14	19
	Thrust stopper x Column tube	130	9	13
	Tilt steering pawl set bolt	120	9	12
	Tilt lever x Adjusting nut	340	25	33
Steering gear housing	Pinion bearing adjusting screw lock nut	1,150	83	113
	Rack guide spring cap lock nut	700	51	69
	Rack end x Rack	850	61	83
	Gear housing bracket x Body	440	32	43
	Tie rod x Knuckle arm	500	36	49
	Tie rod end lock nut	480	35	47

**BODY****Torque Specifications**

Part tightened	kg-cm	ft-lb	N-m	
<b>Seat</b>				
Seat track x Body	375	27	37	
Seat adjuster x Body	375	27	37	
Seat track x Seat back	130	9	13	
Seat adjuster x Seat back	375	27	37	
Seat track x Seat cushion	185	13	18	
Seat adjuster x Seat cushion	185	13	18	
Seat outer adjuster x Seat back	375	27	37	
Outer seat belt upper anchor set bolt	440	32	43	
Outer seat belt lower anchor set bolt	440	32	43	
Inner seat belt anchor set bolt	440	32	43	
ELR set bolt				
	Lower side	440	32	43
	Upper side	80	69 in.-lb	7.8

## LUBRICANT

Item	Capacity			Classification
	Liters	US qts	Imp. qts	
Engine oil w/ Oil cooler Dry fill Drain and refill w/ Oil filter change w/o Oil filter change w/o Oil cooler Dry fill Drain and refill w/ Oil filter change w/o Oil filter change	3.8 3.4 3.1 3.7 3.3 3.0	4.0 3.6 3.3 3.9 3.5 3.2	3.3 3.0 2.7 3.3 2.9 2.6	API service SF or SF/CC, multigrade viscosity and fuel-efficient oil
Manual transaxle oil (w/ Differential) C52	2.6	2.7	2.3	API GL-4 or GL-5 SAE 75W-90 or 80W-90
E51	4.2	4.4	3.7	API GL-5 SAE 75W-90
Automatic transaxle fluid (w/Differential) 4A-GE Dry fill Drain and refill 4A-GZE Dry fill Drain and refill	7.2 3.1 7.9 3.1	7.6 3.3 8.4 3.3	6.3 2.7 7.0 2.7	ATF DEXRON® II
Steering gear housing grease	—			Molybdenum disulphide lithium base, NLGI No. 2
Brake fluid	—			SAE J1703, DOT 3








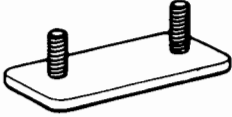

# STANDARD BOLT TORQUE SPECIFICATIONS

Page

STANDARD BOLT TORQUE SPECIFICATIONS ..... B-2

# STANDARD BOLT TORQUE SPECIFICATIONS

## HOW TO DETERMINE BOLT STRENGTH

	Mark	Class		Mark	Class
Hexagon head bolt	 Bolt head No. 4- 5- 6- 7-	4T 5T 6T 7T	Stud bolt	 No mark	4T
	 No mark	4T			
Hexagon flange bolt w/washer hexagon bolt	 No mark	4T	Welded bolt	 Grooved	6T
Hexagon head bolt	 Two protruding lines	5T			
Hexagon flange bolt w/washer hexagon bolt	 Two protruding lines	6T	Welded bolt		4T
Hexagon head bolt	 Three protruding lines	7T			

## SPECIFIED TORQUE FOR STANDARD BOLTS

Class	Diameter mm	Pitch mm	Specified torque					
			Hexagon head bolt			Hexagon flange bolt		
			kg-cm	ft-lb	N·m	kg-cm	ft-lb	N·m
4T	6	1	55	48 in.-lb	5.4	60	52 in.-lb	5.9
	8	1.25	130	9	13	145	10	14
	10	1.25	260	19	25	290	21	28
	12	1.25	480	35	47	540	39	53
	14	1.5	760	55	75	850	61	83
	16	1.5	1,150	83	113	—	—	—
5T	6	1	65	56 in.-lb	6.4	—	—	—
	8	1.25	160	12	16	—	—	—
	10	1.25	330	24	32	—	—	—
	12	1.25	600	43	59	—	—	—
	14	1.5	930	67	91	—	—	—
	16	1.5	1,400	101	137	—	—	—
6T	6	1	80	69 in.-lb	7.8	90	78 in.-lb	8.8
	8	1.25	195	14	19	215	16	21
	10	1.25	400	29	39	440	32	43
	12	1.25	730	53	72	810	59	79
	14	1.5	—	—	—	1,250	90	123
7T	6	1	110	8	11	120	9	12
	8	1.25	260	19	25	290	21	28
	10	1.25	530	38	52	590	43	58
	12	1.25	970	70	95	1,050	76	103
	14	1.5	1,500	108	147	1,700	123	167
	16	1.5	2,300	166	226	—	—	—

# SST AND SSM

	Page
SST (SPECIAL SERVICE TOOLS) .....	C-2
SSM (SPECIAL SERVICE MATERIALS) .....	C-14



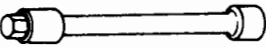
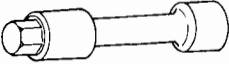
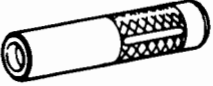

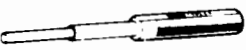

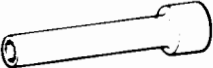
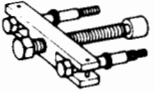
## SST (SPECIAL SERVICE TOOLS)

NOTE: Classification

A = SST required for vehicle inspections and minor repairs and multipurpose SST.

B = SST required for major repairs involving disassembly of components.

C = SST required for rather special, less frequent work not of classifiable as either A or B.

Section	Classification	Part Name	Part No.	Illustration	EM	SC	FI	CO	LU	ST	CH	CL	MT	AT	FA	RA	BR	SR	BO	
		(Angled Open End Wrench 12 x 14)	09027-12140		C				*1											
		(Oil Pan Seal Cutter)	09032-00100		A															
		(Hexagon 10 mm Wrench)	09043-38100		A															
		(Hexagon 8 mm Wrench)	09043-88010		A															*2
		(Valve Stem Oil Seal Replacer)	09201-41020		B					*3										
		(Valve Guide Bushing Remover & Replacer)	09201-60011		A									*4						
		(Valve Guide Bushing Remover & Replacer)	09201-70010		B	●														
		(Valve Spring Compressor)	09202-70010		A	●														
		(Cylinder Head Bolt Wrench)	09205-16010		A	●														
		(Crankshaft Pulley Puller)	09213-31021		A	●														

Remarks:

\*1 Oil pressure sender gauge

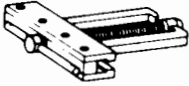


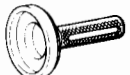



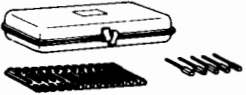
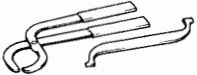



\*2 4A-GZE only

\*3 Armature front bearing

\*4 Speedometer driven gear oil seal




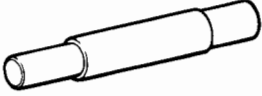
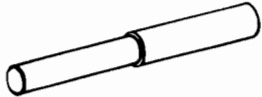
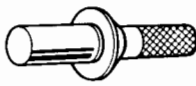

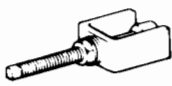
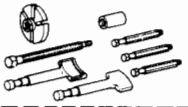


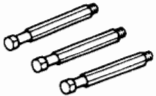
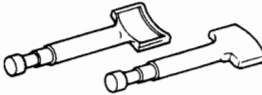
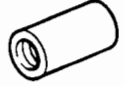
## SST (SPECIAL SERVICE TOOLS) (Cont'd)

Section	Classification	Part Name	Part No.	Illustration	EM	SC	FI	CO	LU	ST	CH	CL	MT	AT	FA	RA	BR	SR	BO
					09213-36020	(Timing Gear Remover)	B						*1						
					09213-70010	(Crankshaft Pulley Holding Tool)	A	●											
					09222-30010	(Connecting Rod Bushing Remover & Replacer)	B	●											
					09223-15010	(Crankshaft Rear Oil Seal Replacer)	B						*2			*3			
					09223-41020	(Crankshaft Rear Oil Seal Replacer)	B	●											
					09223-50010	(Crankshaft Front Oil Seal Replacer)	B	*4											
					09228-06500	(Oil Filter Wrench)	A			●									
					09240-00020	(Wire Gauge Set)	A							●					
					09248-55010	(Valve Clearance Adjust Tool Set)	A	●											
					09268-41045	(Injection Measuring Tool Set)	B		●										
					09268-45012	(EFI Fuel Pressure Gauge)	A		●										
					09285-76010	(Injection Pump Camshaft Bearing Cone Replacer)	C						*5						

## Remarks:

- \*1 No. 3 hub sleeve assembly
- \*2 LH side oil seal (4A-GZE)
- \*3 LH side oil seal (4A-GZE M/T)
- \*4 Drive in the camshaft oil seals
- \*5 Rotor bearing

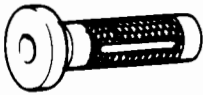

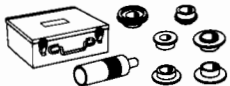





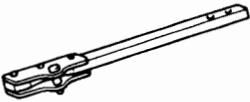
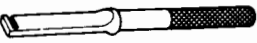


# SST (SPECIAL SERVICE TOOLS) (Cont'd)

Section	Classification	Part Name	Part No.	Illustration	EM	SC	FI	CO	LU	ST	CH	CL	MT	AT	FA	RA	BR	SR	BO
										*1 ●	*2 ●								
												*3 ●							
												*4 ●							
												●							
													*5 ●	●	●	●			
													●						
													●						
													●						
													●						
													●						
													●						
													●						

Remarks:

- \*1 Armature bearing
- \*2 Rear end frame
- \*3 4A-GZE only
- \*4 4A-GE only
- \*5 Input shaft front bearing and output shaft front bearing

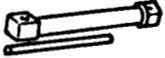











# SST (SPECIAL SERVICE TOOLS) (Cont'd)

Section	Classification	Part Name	Part No.	Illustration	EM	SC	FI	CO	LU	ST	CH	CL	MT	AT	FA	RA	BR	SR	BO
			<b>09310-35010</b>	 (Countershaft Bearing Replacer)	B								*1		*2	*3			
			<b>09313-30021</b>	 (Detent Ball Plug Socket)	A								●						
			<b>09316-60010</b>	 (Transmission & Transfer Bearing Replacer)	B								●			●			
			<b>(09316-00010)</b>	 (Replacer Pipe)									*4			*5			
			<b>(09316-00020)</b>	 (Replacer "A")									●						
			<b>(09316-00040)</b>	 (Replacer "C")									●						
			<b>(09316-00050)</b>	 (Replacer "D")									●						
			<b>(09316-00070)</b>	 (Replacer "F")									●						
			<b>09330-00021</b>	 (Companion Flange Holding Tool)	A	*6								●					
			<b>09333-00013</b>	 (Clutch Diaphragm Spring Aligner)	B							●							
			<b>09350-32013</b>	 (TOYOTA Automatic Transmission Tool Set)	B								●	●		●			
			<b>(09308-10010)</b>	 (Oil Seal Puller)										●					

Remarks:

- \*1 Input shaft front bearing and output shaft front bearing
- \*2 Front axle hub
- \*3 Rear axle hub
- \*4 RH side oil seal (4A-GZE)
- \*5 RH side oil seal (4A-GZE M/T)
- \*6 Crankshaft pulley holding tool

# SST (SPECIAL SERVICE TOOLS) (Cont'd)

Section	Classification	Part Name	Part No.	Illustration	EM	SC	FI	CO	LU	ST	CH	CL	MT	AT	FA	RA	BR	SR	BO
			(09351-32010)	 (One-way Clutch Test Tool)										●					
			(09351-32020)	 (Stator Stopper)										●					
			(09351-32031)	 (Counter Driven Gear Holding Tool)										●					
			(09351-32040)	 (No. 1 Piston Spring Compressor)										●					
			(09351-32050)	 (Snap Ring Expander)										●					
			(09351-32061)	 (Oil Pump Puller)										●					
			(09351-32070)	 (No. 2 Piston Spring Compressor)										●					
			(09351-32090)	 (Oil Seal Remover & Replacer)										●					
			(09351-32100)	 (Drive Pinion Bearing Replacer)										●					
			(09351-32111)	 (Side Bearing Race Replacer)									●	●		●			
			(09351-32120)	 (Overdrive Bearing Replacer)										●					
			(09351-32130)	 (Handle)									●	●		●			

Remarks:

\*1 LH side oil seal (4A-GE)

\*2 LH side oil seal

\*3 LH side oil seal (Ex. 4A-GZE M/T)










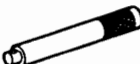


# SST (SPECIAL SERVICE TOOLS) (Cont'd)

Section	Classification	Part Name	Part No.	Illustration	EM	SC	FI	CO	LU	ST	CH	CL	MT	AT	FA	RA	BR	SR	BO
			(09351-32140)	(Oil Seal Replacer)										●					
			(09351-32150)	(Oil Seal Replacer)									●*1	●		●*2			
			(09351-32170)	(Lock Nut Wrench)										●					
			(09351-32180)	(Bearing Replacer)										●					
			(09351-32190)	(Measure Terminal)										●					
			09502-10012	(Differential Side Bearing Puller)	B									●					
			09504-00011	(Differential Side Bearing Adjusting Nut Wrench)	B		●*3												
			09517-30010	(Rear Axle Shaft Oil Seal Replacer)	B				●*4										
			09517-36010	(Rear Axle Shaft Oil Seal Replacer)	B								●*5						
			09520-32012	(Differential Side Gear Shaft Puller)	A								●			●			
			09555-55010	(Differential Drive Pinion Bearing Replacer)	B									●					
			09564-32011	(Differential Preload Adapter)	B								●	●					

Remarks:

- \*1 RH side oil seal (4A-GE)
- \*2 RH side oil seal (Ex. 4A-GZE M/T)
- \*3 Supercharger clutch hub (4A-GZE only)
- \*4 Crankshaft front oil seal
- \*5 Control shaft oil seal

# SST (SPECIAL SERVICE TOOLS) (Cont'd)



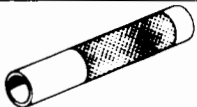







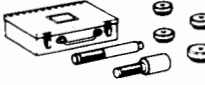

Section	Classification	Part Name	Part No.	Illustration	EM	SC	FI	CO	LU	ST	CH	CL	MT	AT	FA	RA	BR	SR	BO
			<b>09608-12010</b>	 (Front Hub & Drive Pinion Bearing Replacer Set)	B								●						
			<b>(09608-00020)</b>	 (Remover & Replacer Handle)									●						
			<b>(09608-00070)</b>	 (Drive Pinion Rear Bearing Cone Replacer)									*1 ●						
			<b>(09608-00080)</b>	 (Differential Side Bearing Cone Replacer)									*2 ●						
			<b>09608-16041</b>	 (Front Hub Bearing Adjusting Tool)	B											●			
			<b>(09608-02020)</b>	 (Bolt & Nut)												●			
			<b>(09608-02040)</b>	 (Retainer)												●			
			<b>09608-20012</b>	 (Front Hub & Drive Pinion Bearing Tool Set)	B							●	●						
			<b>(09608-00030)</b>	 (Replacer)								*3 ●							
			<b>(09608-03020)</b>	 (Handle)									●						
			<b>(09608-03090)</b>	 (Replacer)									*4 ●						
			<b>09608-30012</b>	 (Front Hub & Drive Pinion Bearing Tool Set)	B										●				

Remarks:

- \*1 Input shaft rear bearing and output shaft rear bearing
- \*2 Input shaft front oil seal
- \*3 Front bearing
- \*4 LH, RH side bearing outer race



# SST (SPECIAL SERVICE TOOLS) (Cont'd)







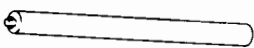
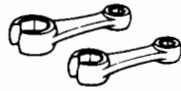

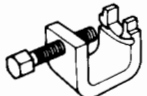


Section	Classification	Part Name	Part No.	Illustration	EM	SC	FI	CO	LU	ST	CH	CL	MT	AT	FA	RA	BR	SR	BO
		(Steering Pinion Bearing Adjusting Screw Lock Nut Wrench)	(09617-10010)															●	*1
		(Ball Joint Lock Nut Wrench)	(09628-10020)															●	*2
		(Tilt Handle Bearing Replacer)	09612-22011		B								●	*3					
		(Steering Gear Housing Overhaul Tool Set)	09612-24013		B													●	
		(Hexagon Wrench)	(09612-10022)															●	
		(Steering Pinion Bearing Replacer)	(09612-10061)															●	
		(Steering Pinion Bearing Adjusting Socket)	(09616-10010)															●	
		(Steering Pinion Bearing Adjusting Screw Wrench)	(09616-10020)															●	
		(Steering Rack Wrench)	(09617-24010)															●	
		(Steering Worm Bearing Puller)	09612-65014		B								●	*4					
		(Steering Gear Box Replacer Set)	09620-30010		B													●	
		(Steering Main Shaft Bearing Replacer)	(09625-30010)															●	

Remarks:

- \*1 Steering rack guide spring cap lock nut
- \*2 Steering rack end
- \*3 No. 3 hub sleeve assembly
- \*4 LH, RH side bearing outer race








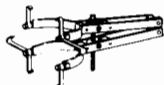

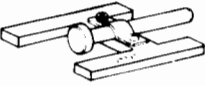

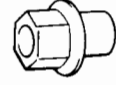

# SST (SPECIAL SERVICE TOOLS) (Cont'd)

Section	Classification	Part Name	Part No.	Illustration	EM	SC	FI	CO	LU	ST	CH	CL	MT	AT	FA	RA	BR	SR	BO
		(Steering Sector Shaft Bushing Replacer)	(09627-30010)															*1	
		(Handle)	(09631-00020)																
		(Ball Joint Puller)	09628-62011		A													*2	
		(Steering Rack Oil Seal Tool Set)	09630-24013		B														
		(Valve Cap Oil Seal) Remover	(09620-24010)																*3
		(Valve Cap Oil Seal) Replacer	(09620-24020)																*3
		(Handle)	09631-12020		B														
		(Power Steering Hose Nut 14 x 17) Wrench Set	09631-22020		A														
		(Steering Knuckle) Tool	09649-17010		B														
		(Hub Bolt Remover)	09650-17011		A														
		(Rear Suspension Bushing Tool Set)	09710-14012		B														
		(Handle)	(09710-00050)																

Remarks:

- \*1 Steering main shaft upper bearing and pinion lower bearing
- \*2 Tie rod end
- \*3 Pinion oil seal

## SST (SPECIAL SERVICE TOOLS) (Cont'd)



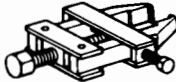


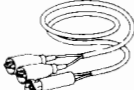

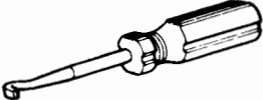
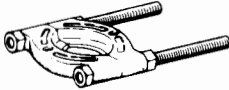

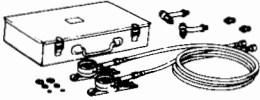

Section	Classification	Part Name	Part No.	Illustration	EM	SC	FI	CO	LU	ST	CH	CL	MT	AT	FA	RA	BR	SR	BO
																			
			09719-14020	(Rear Disc Brake Tool Set)	A												●		
			(09719-00020)	(Piston Driver)													●		
																			
			09720-00011	(Shock Absorber Overhaul Tool Set)	B										●	●			
																			
			(09721-00071)	(Front Shock Absorber Ring Nut Wrench)											●	●			
																			
			09726-10010	(Lower Suspension Arm Bushing Remover & Replacer)	B												●		
																			
			(09726-00030)	(Spacer)													● <sup>*1</sup>		
																			
			09727-22032	(Front Coil Spring Compressor)	B										●	●			
																			
			09729-22031	(Front Spring Upper Seat Holder)	B										●				
																			
			09737-00010	(Brake Booster Push Rod Gauge)	A												●		
																			
			09751-36011	(Brake Tube Union Nut 10 x 12 Wrench)	A							● <sup>*2</sup>					●		
																			
			09756-00010	(Adjusting Bolt Guide Nut)	B												●		
																			
			09812-00010	(Door Hinge Set Bolt Wrench)	C														●

## Remarks:

\*1 4A-GZE only

\*2 Clutch tube

# SST (SPECIAL SERVICE TOOLS) (Cont'd)

Section	Classification	Part Name	Part No.	Illustration	EM	SC	FI	CO	LU	ST	CH	CL	MT	AT	FA	RA	BR	SR	BO	
			09814-22010	 (Rear Wiper Pivot Shaft Lock Nut Wrench)	A	●	*1													
			09817-16011	 (Back-up Light Switch Tool)	A								●							
			09820-00021	 (Alternator Rear Bearing Puller)	B						●									
			09820-63010	 (Alternator Pulley Set Nut Wrench Set)	B						●									
			09842-30050	 (Wiring "A" EFI Inspection)	B		●													
			09842-30060	 (Wiring "E" EFI Inspection)	B		●	*2												
			09842-30070	 (Wiring "F" EFI Inspection)	B		●	*2												
			09921-00010	 (Spring Tension Tool)	A								●	*3						
			09950-00020	 (Bearing Remover)	B								●	*4	●					
			09950-20017	 (Universal Puller)	A								●		●	●			●	
			09992-00094	 (Oil Pressure Gauge Set)	A									●						
			09992-00241	 (Turbocharger Pressure Gauge)	C	●	*5													

Remarks:

- \*1 Supercharger clutch stator (4A-GZE only)
- \*2 4A-GE only
- \*3 Speedometer driven gear oil seal
- \*4 No. 2 hub sleeve assembly and 3rd driven gear
- \*5 Supercharger pressure

NOTE: For reference to SSTs for the Air Conditioning System see page AC-8.

**SSM (SPECIAL SERVICE MATERIALS)**

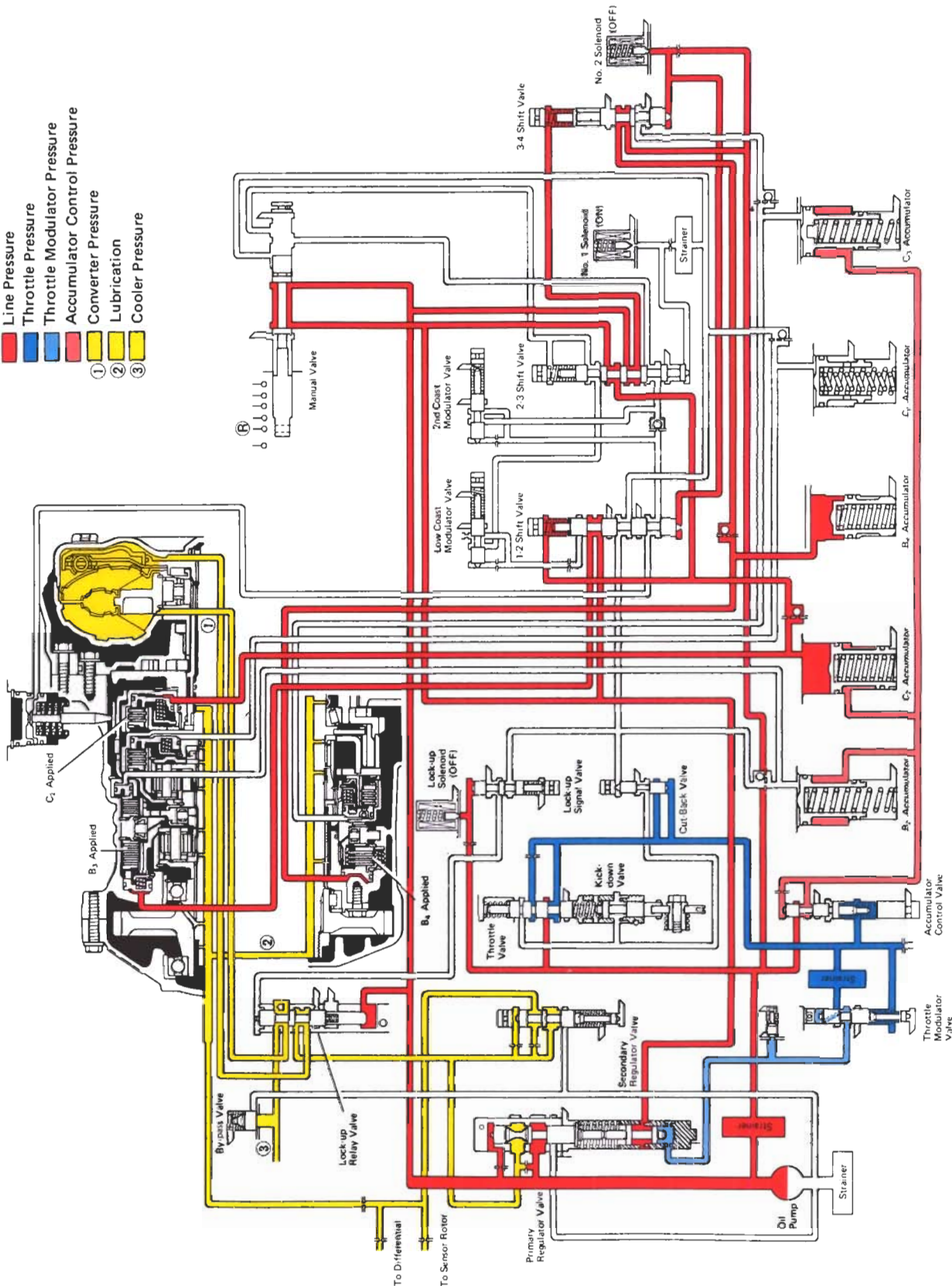
Part Name	Part No.	Sec.	Use etc.
Seal packing or equivalent	08826-00080	EM	Cylinder head x Cylinder head cover Cylinder head x No. 1 camshaft bearing cap
		LU	Oil pan Baffle plate
Seal packing 1281, Three bond 1281 or equivalent	08826-00090	MT	Transaxle case, transmission case and case cover
Adhesive 1324, Three bond 1324 or equivalent	08833-00070	AT	Oil gallery cover set screw
Adhesive 1344, Three bond 1344, Loctite 242 or equivalent	08833-00080	MT	Straight screw plug Control shaft cover bolt
		SR	Pinion bearing adjusting screw Pinion bearing adjusting screw lock nut Rack guide spring cap Rack guide spring cap lock nut
Adhesive 1131, Three bond 1131, Loctite 518 or equivalent	08833-00090	AT	Transaxle housing x Transaxle case Transaxle rear cover x Transaxle case
Seal packing 1121, Three bond 1121 or equivalent	08826-00801	RA	The contact surface of the outer race and cover of the drive shaft
Dupont paste No. 4817	—	BE	Rear window defogger wire
Super adhesive	08850-00051	BO	Side body moulding
Windshield glass adhesive set No. 15	08850-00070	BO	Windshield glass, Rear window glass (0 – 15°C or 32 – 59°F)
Windshield glass adhesive set No. 35	08850-00080	BO	Windshield glass, Rear window glass (15 – 35°C or 59 – 95°F)
Windshield glass adhesive set No. 45	08850-00090	BO	Windshield glass, Rear window glass (35 – 45°C or 95 – 113°F)
Dam kit	04562-30040	BO	Windshield glass, Rear window glass
Three cement black	08833-00030	BO	Windshield glass, Back door window glass
Butyl tape set	08850-00065	BO	Quarter window glass

# **AUTOMATIC TRANSMISSION HYDRAULIC CIRCUIT**

	<b>Page</b>
<b>A240E AND A241E HYDRAULIC CIRCUIT .....</b>	<b>D-2</b>

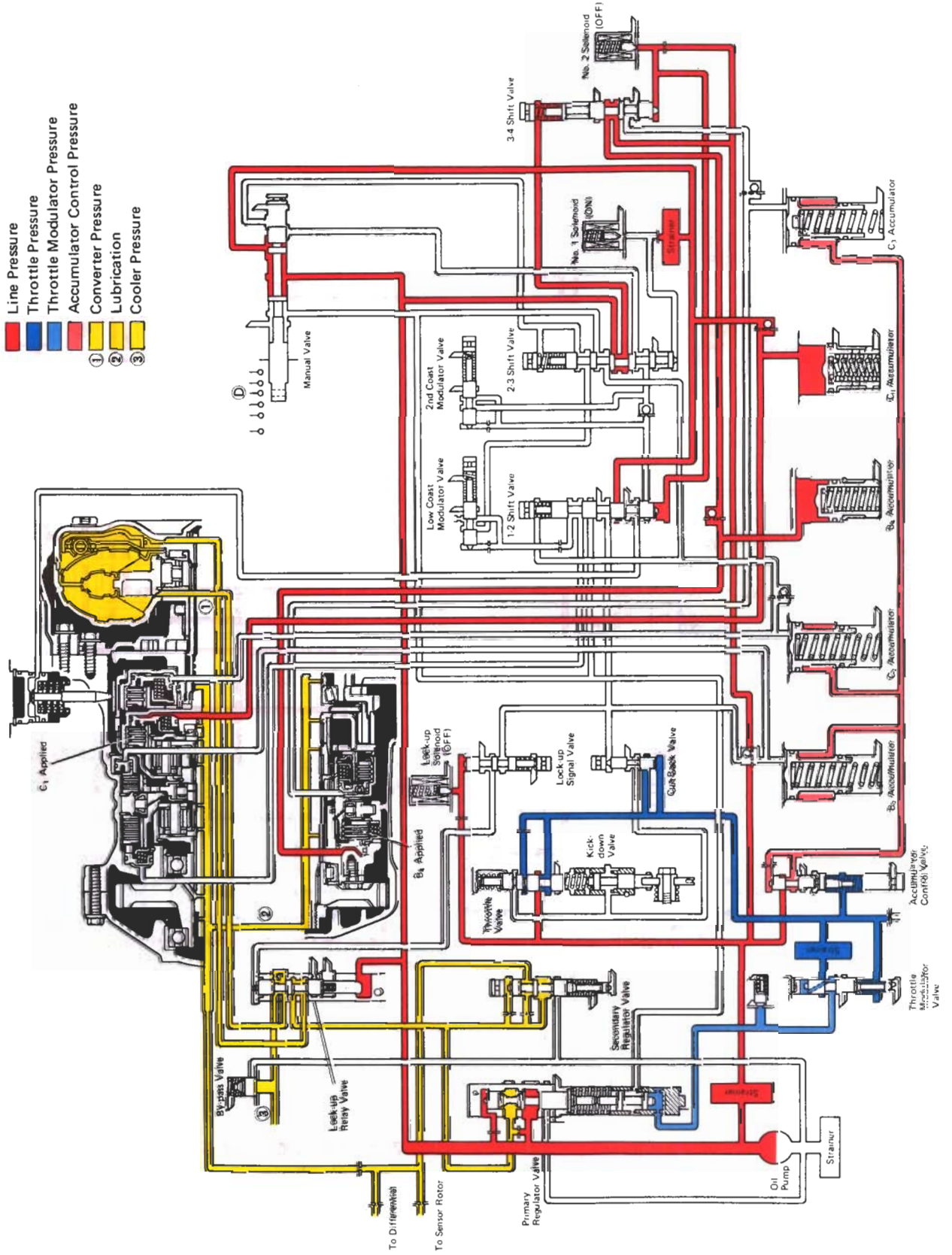
A240E AND A241E  
R RANGE CIRCUIT

- Line Pressure
  - Throttle Pressure
  - Throttle Modulator Pressure
  - Accumulator Control Pressure
  - Converter Pressure
  - Lubrication
  - Cooler Pressure
- ①  
②  
③



A240E AND A241E

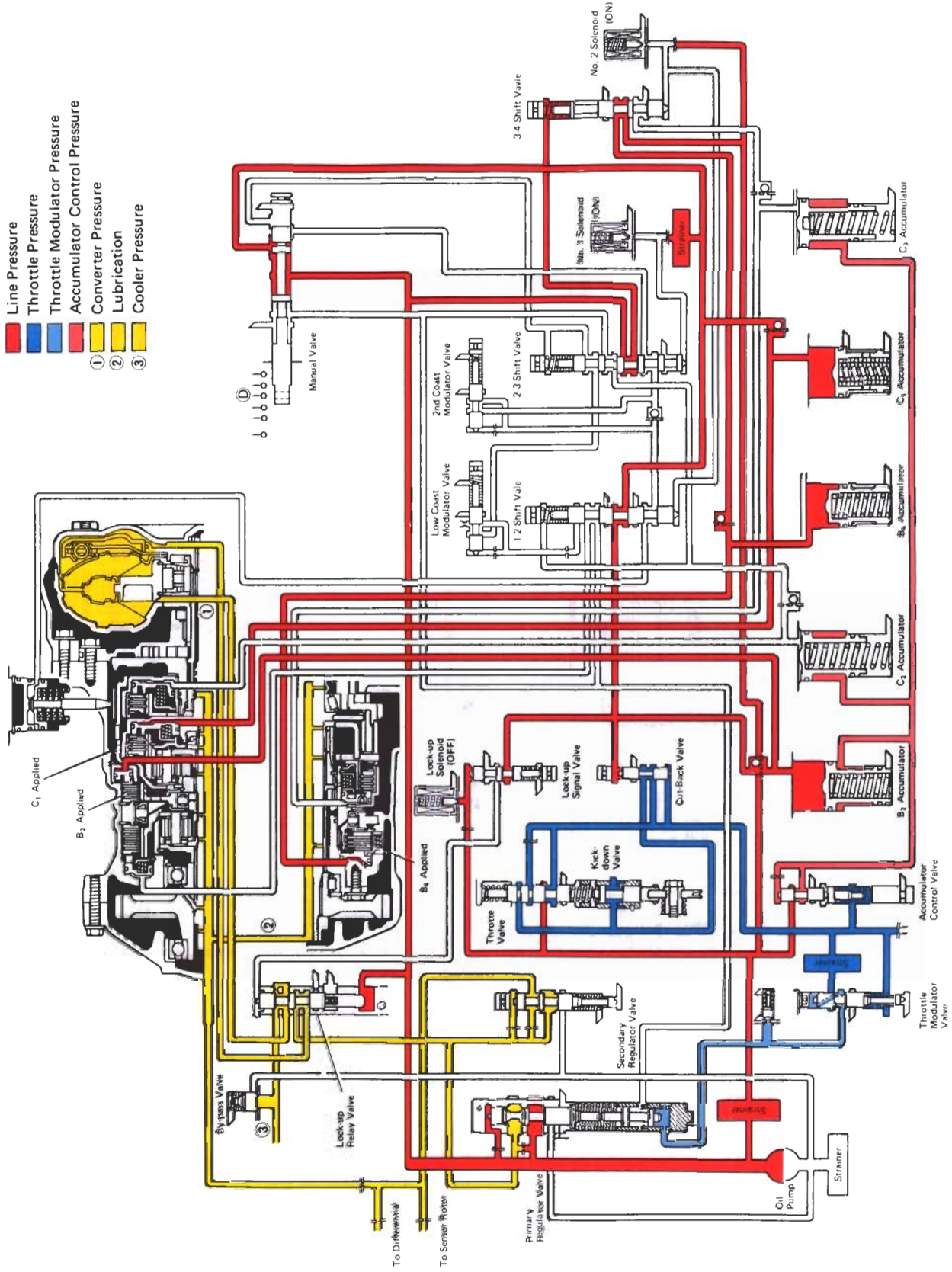
D RANGE FIRST GEAR CIRCUIT



A240E AND A241E

D RANGE SECOND GEAR CIRCUIT

- █ Line Pressure
  - █ Throttle Pressure
  - █ Throttle Modulator Pressure
  - █ Accumulator Control Pressure
  - █ Converter Pressure
  - █ Lubrication
  - █ Cooler Pressure
- ①  
②  
③

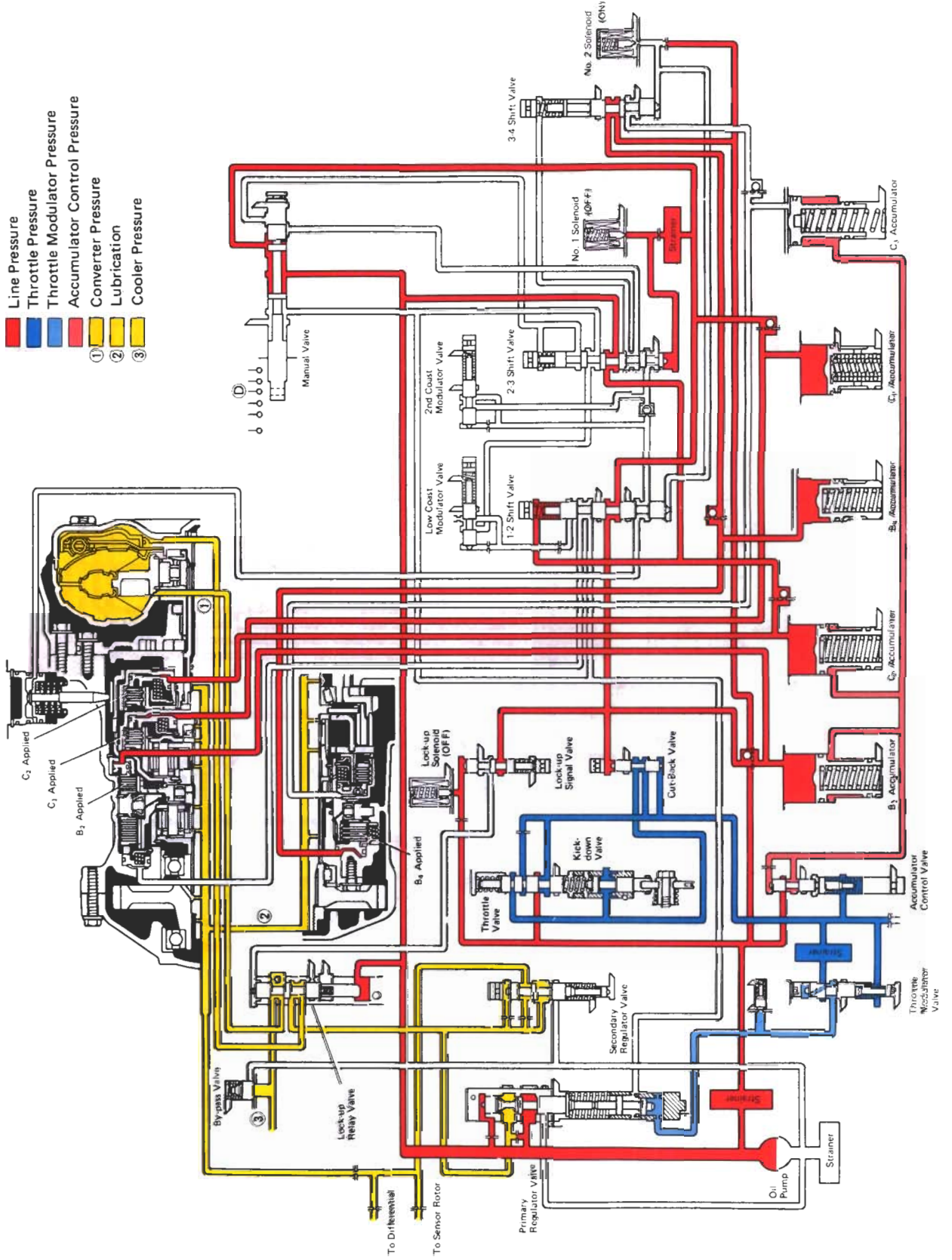




A240E AND A241E

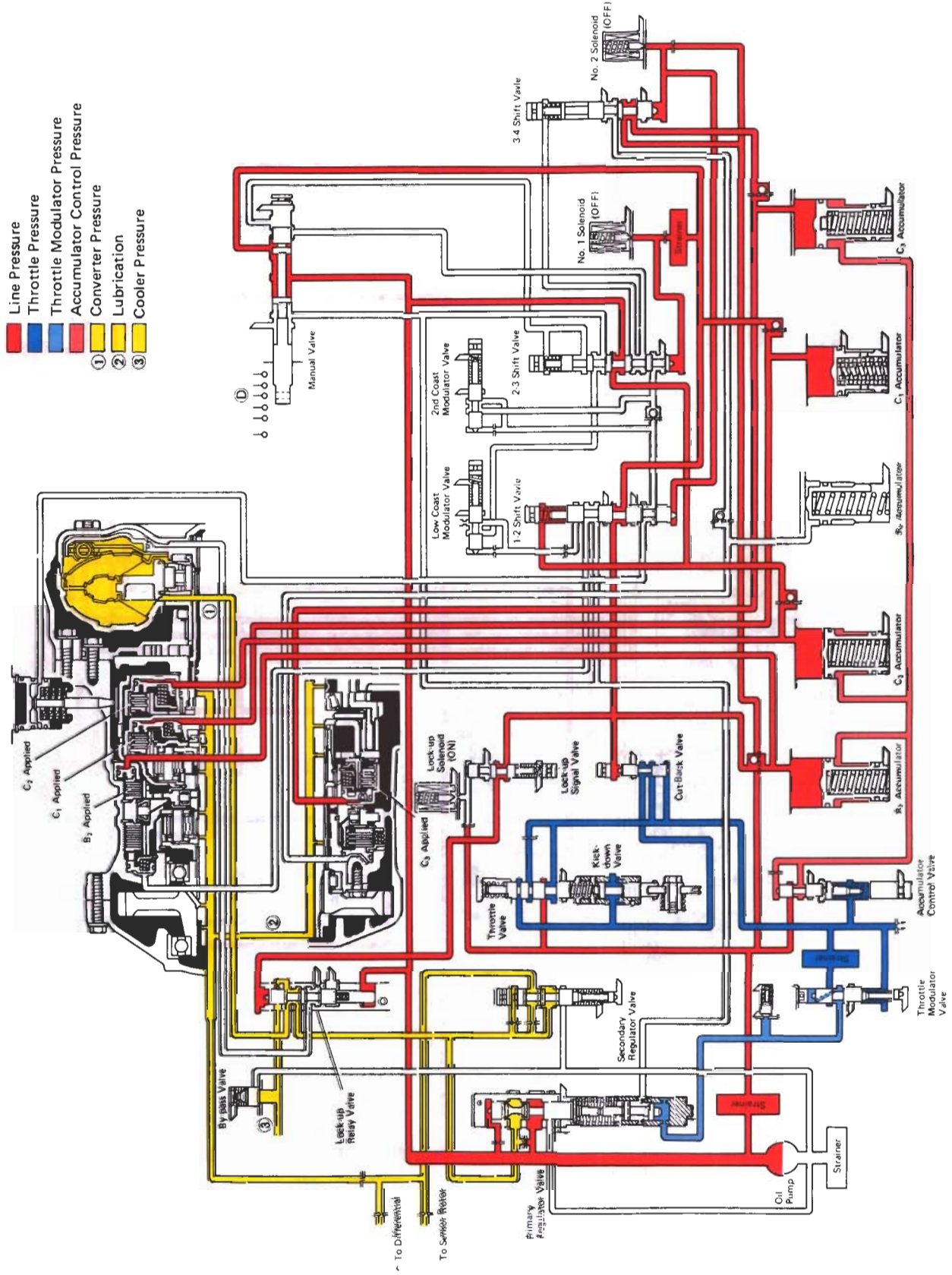
D RANGE THIRD GEAR CIRCUIT

- █ Line Pressure
  - █ Throttle Pressure
  - █ Throttle Modulator Pressure
  - █ Accumulator Control Pressure
  - █ Converter Pressure
  - █ Lubrication
  - █ Cooler Pressure
- ①  
②  
③



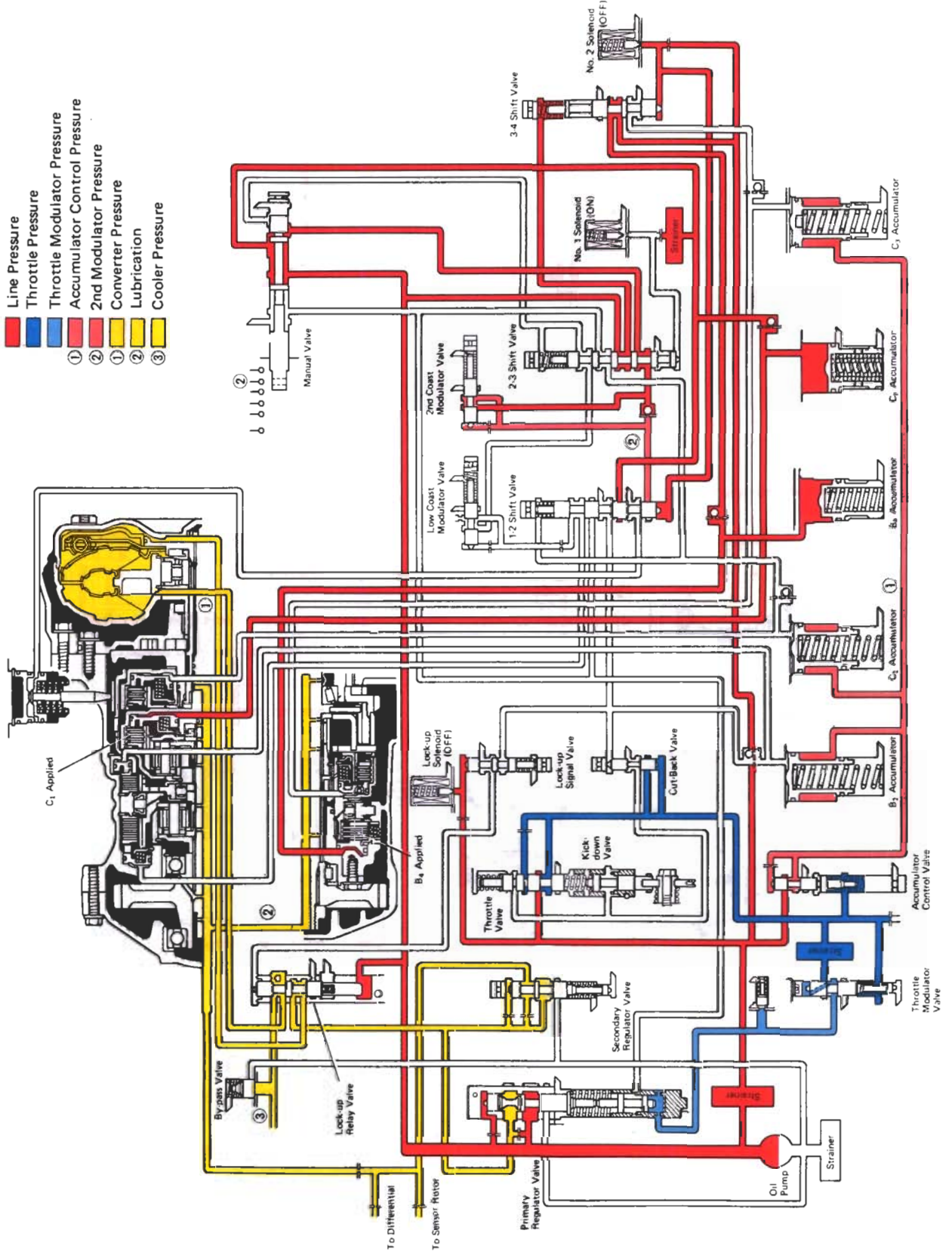
A240E AND A241E

D RANGE O/D GEAR CIRCUIT LOCK-UP ON

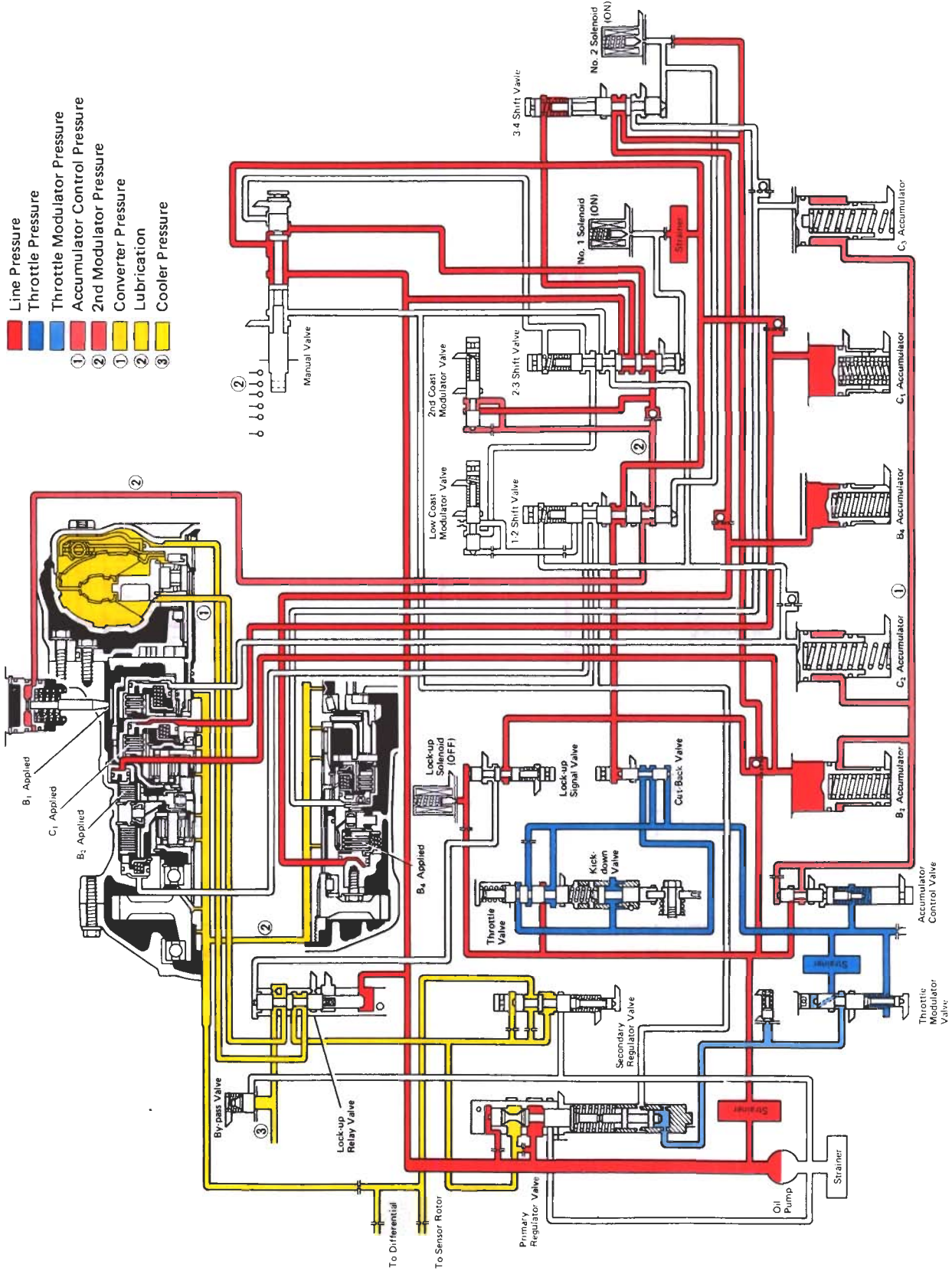


A240E AND A241E

2 RANGE FIRST GEAR CIRCUIT



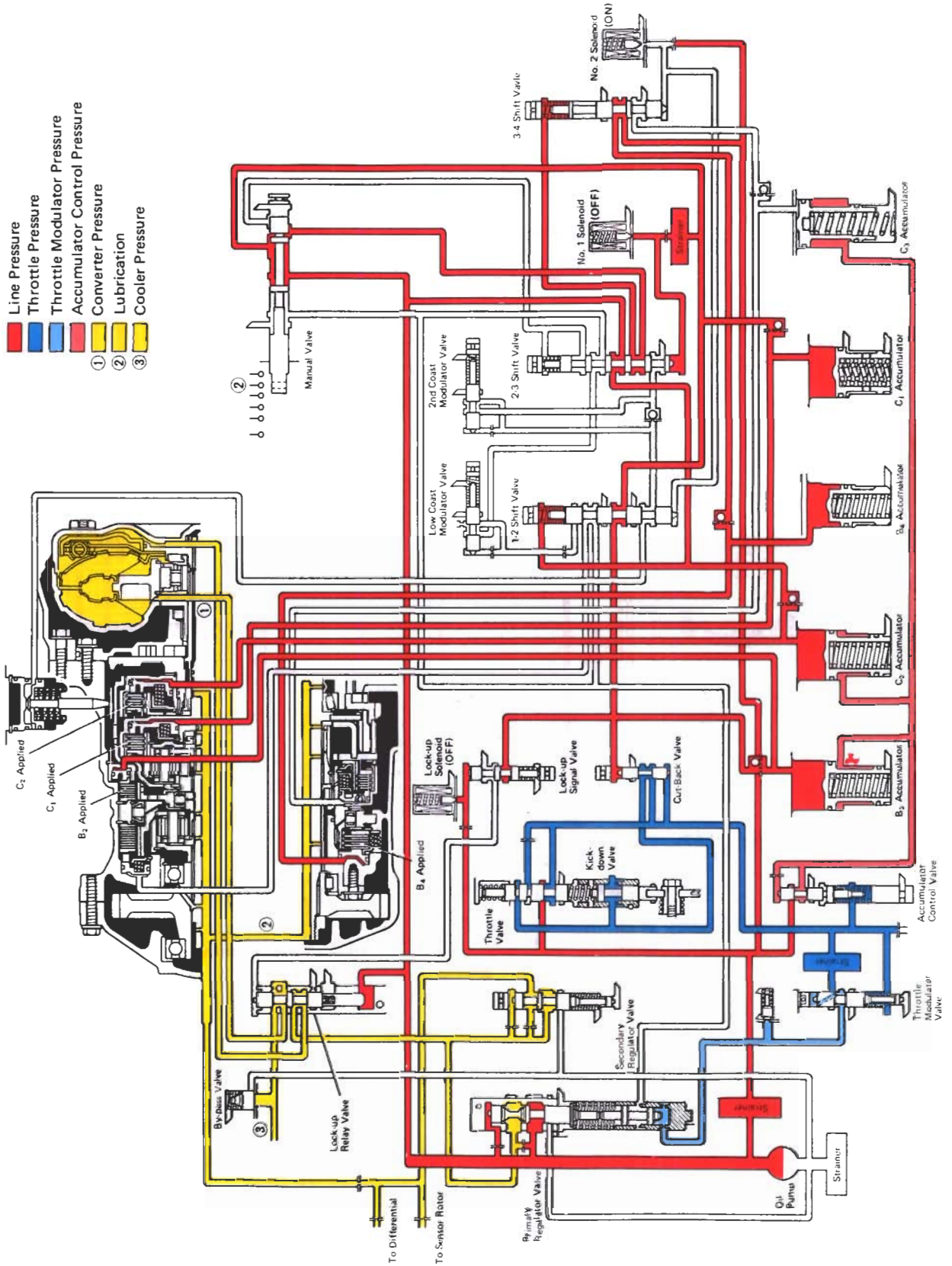
A240E AND A241E  
2 RANGE SECOND GEAR CIRCUIT



# A240E AND A241E

## 2 RANGE THIRD GEAR CIRCUIT

- █ Line Pressure
- █ Throttle Pressure
- █ Throttle Modulator Control Pressure
- █ Accumulator Control Pressure
- █ Converter Pressure
- █ Lubrication
- █ Cooler Pressure



C<sub>2</sub> Applied  
C<sub>1</sub> Applied  
B<sub>2</sub> Applied

②  
Manual Valve

To Differential  
To Separator Rotor

Primary Regulator Valve  
Secondary Regulator Valve

Oil Pump  
Strainer

Throttle Valve  
Kick-down Valve  
Cur-Back Valve

Lock-up Signal Valve  
Lock-up Solenoid (OFF)

B<sub>2</sub> Accumulator  
C<sub>2</sub> Accumulator

B<sub>1</sub> Accumulator  
C<sub>1</sub> Accumulator

Low Coast Modulator Valve  
2-3 Shift Valve

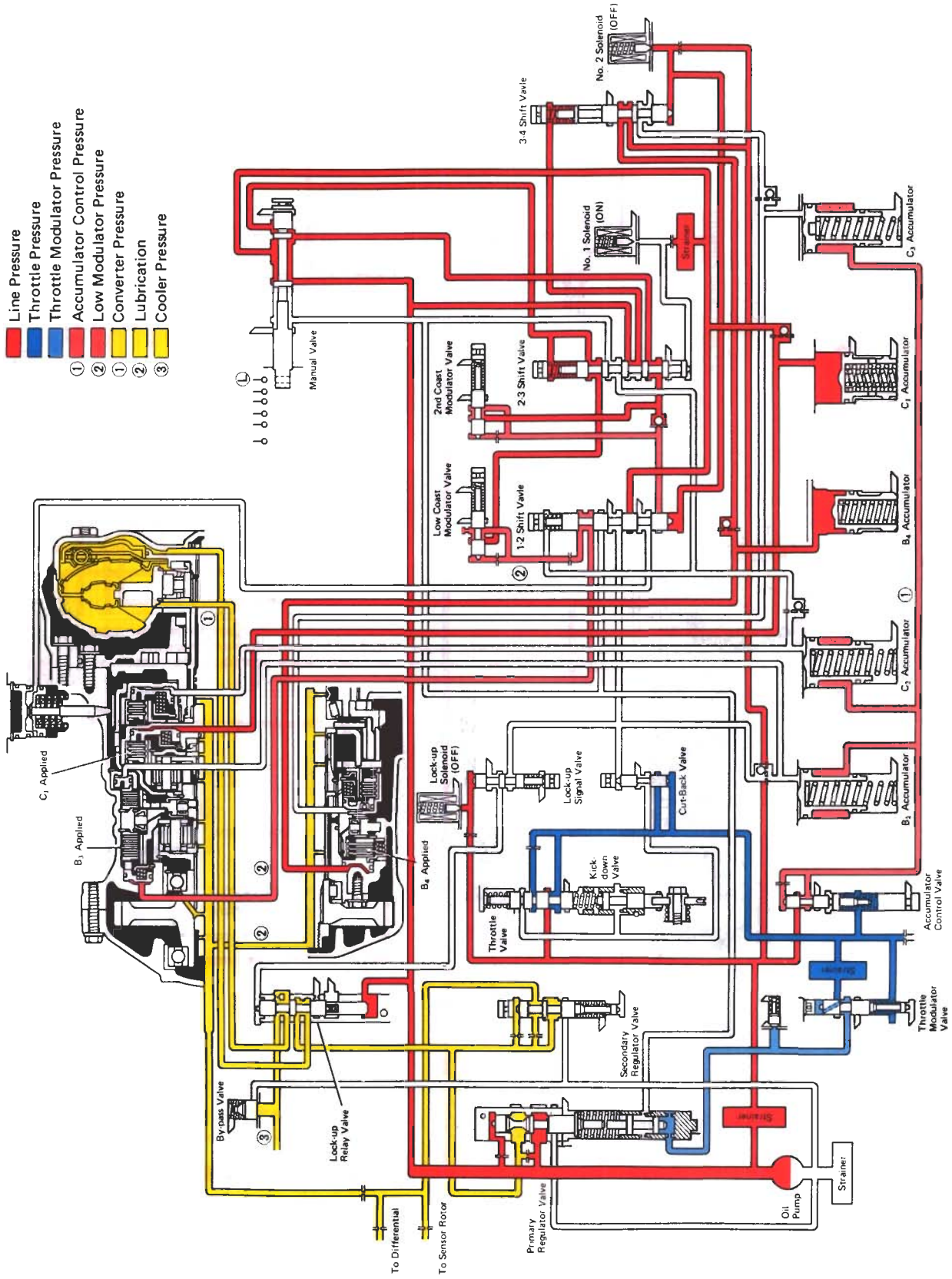
2nd Coast Modulator Valve  
3-4 Shift Valve

No. 1 Solenoid (OFF)  
No. 2 Solenoid (ON)

C<sub>3</sub> Accumulator

Accumulator Control Valve  
Throttle Modulator Valve

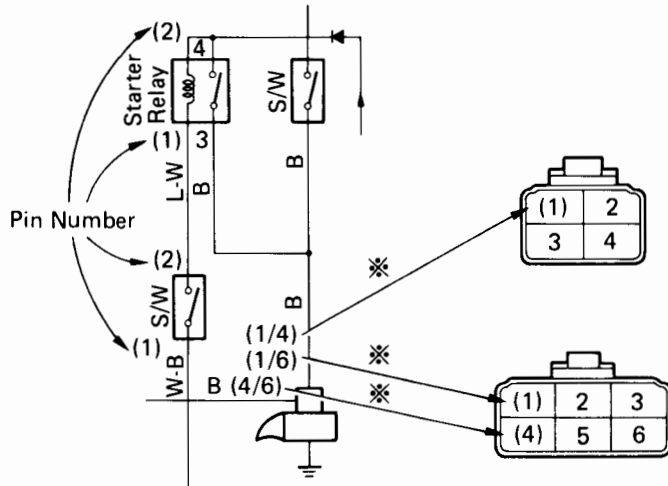
A240E AND A241E  
L RANGE FIRST GEAR CIRCUIT



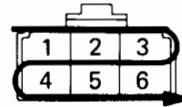
# ELECTRICAL WIRING DIAGRAMS

## HOW TO READ THIS SECTION

### PIN NUMBER



Numbered in order from upper left to lower right



Female

Numbered in order from upper right to lower left

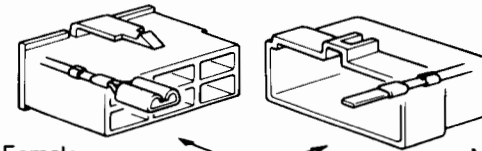


Male

BE0832

Male & female connectors distinguished by shape of their internal pins.

- All connectors are shown from the open end, and the lock is on top.



Female

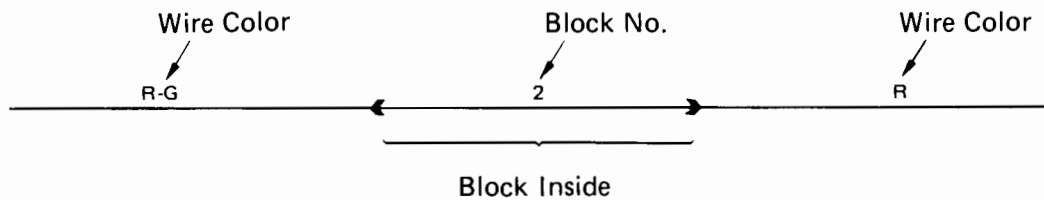
Male

BE0833

BE2023

※ When connectors with different numbers of terminals are used with the same parts, the pin number and the numbers of terminals are specified.  
e.g. (1/4) = No. 1 pin/4 terminals connector

## JUNCTION BLOCK OR RELAY BLOCK



## WIRE COLOR

Wire colors are indicated by an alphabetical code.

B = Black	BR = Brown	G = Green	GR = Gray	L = Blue
LG = Light Green	O = Orange	P = Pink	R = Red	V = Violet
W = White	Y = Yellow			

The 1st letter indicates the basic wire color and the 2nd indicates the stripe color.

Example: R-G indicates a Red wire with a Green stripe.

## ABBREVIATION

The following abbreviations are used in this wiring diagram.

A/C = Air Conditioner	M/T = Manual Transaxle
A/T = Automatic Transaxle	O/D = Overdrive
CB = Circuit Breaker	RH = Right-hand
ECU = Electronic Controlled Unit	S/W = Switch
EFI = Electronic Fuel injection	T-VIS = Toyota Variable Induction System
FL = Fusible Link	VSV = Vacuum Switching Valve
J/B = Junction Block	w/ = With
LH = Left-hand	w/o = Without

# SYSTEM INDEX

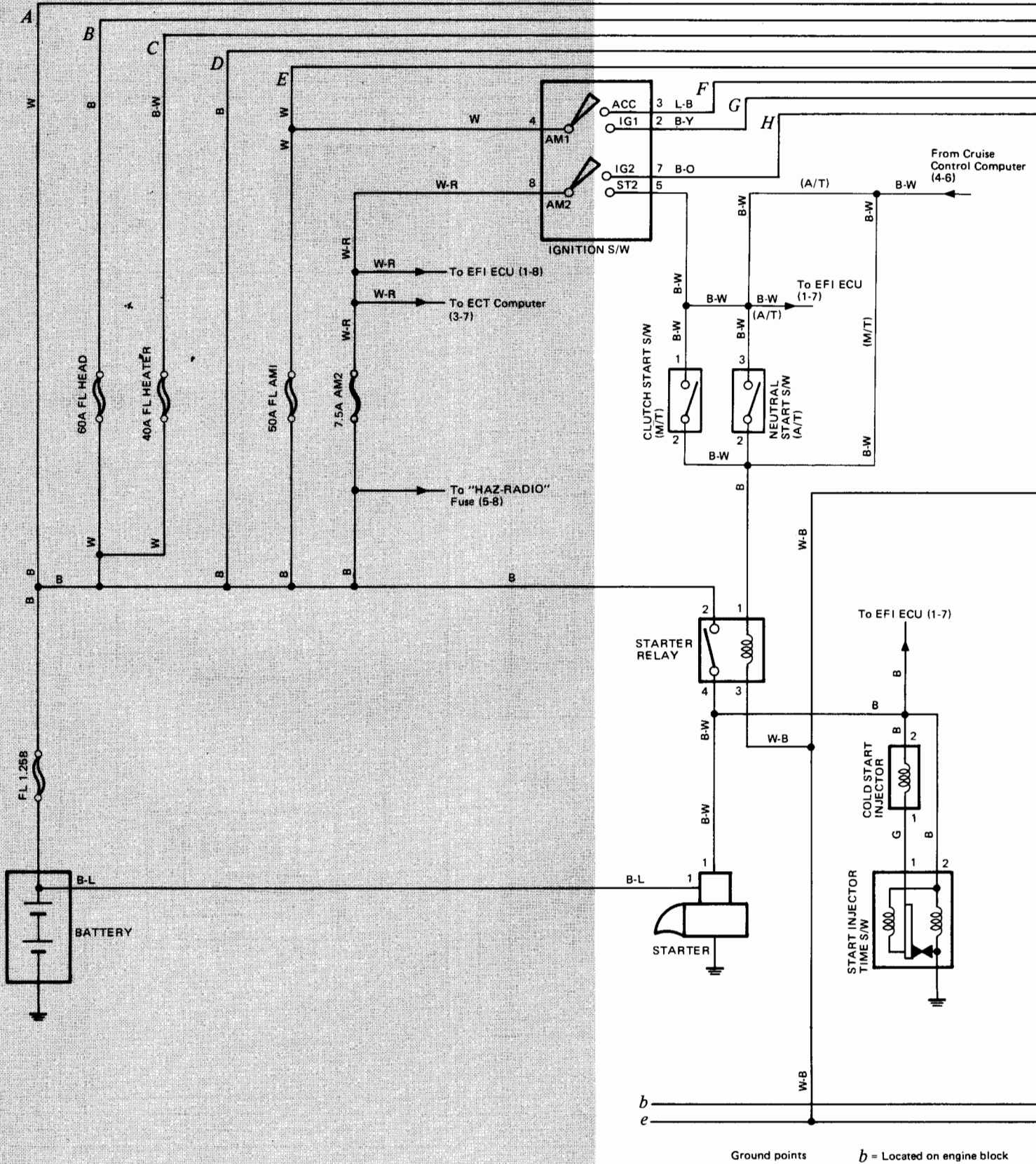
MR2

1988 Model (Page 1 to Page 6)

SYSTEMS	LOCATION	SYSTEMS	LOCATION
Air Conditioner, Cooler and Heater	 2-6	Interior Lights	 5-5
Auto Antenna	 5-7	Power Source	 1-1 6-1 (4A-GZE)
Back-up Lights	 3-8	Power Windows	 4-2
Charging	 1-3 6-2 (4A-GZE)	Radiator Fan	 2-2
Cigarette Lighter	 5-6	Radio and Tape Player	 5-8
Clock	 5-5	Rear Window Defogger	 3-4
Combination Meter	 3-2	Remote Control Mirrors	 5-6
Cruise Control	 4-6	Starting	 1-2 6-2 (4A-GZE)
Door Locks	 4-4	Stop Lights	 4-7
ECT	 3-7	Taillights and Illumination	 5-1
EFI	 1-7 (4A-GE) 6-5 (4A-GZE)	Turn Signal and Hazard	 3-5
Engine Compartment Cooling Fan	 1-5	Unlock and Seat Belt Warning	 4-8
Front Wiper and Washer	 4-1		
Fuel Control System	 6-7		
Headlights	 5-3		
Horn	 4-1		
Idle-up	 2-1		
Ignition	 1-5 (4A-GE) 6-8 (4A-GZE)		



# MR2 ELECTRICAL WIRING DIAGRAM-1988 Model (Page 1 to Page 6)



Ground points *b* = Located on engine block



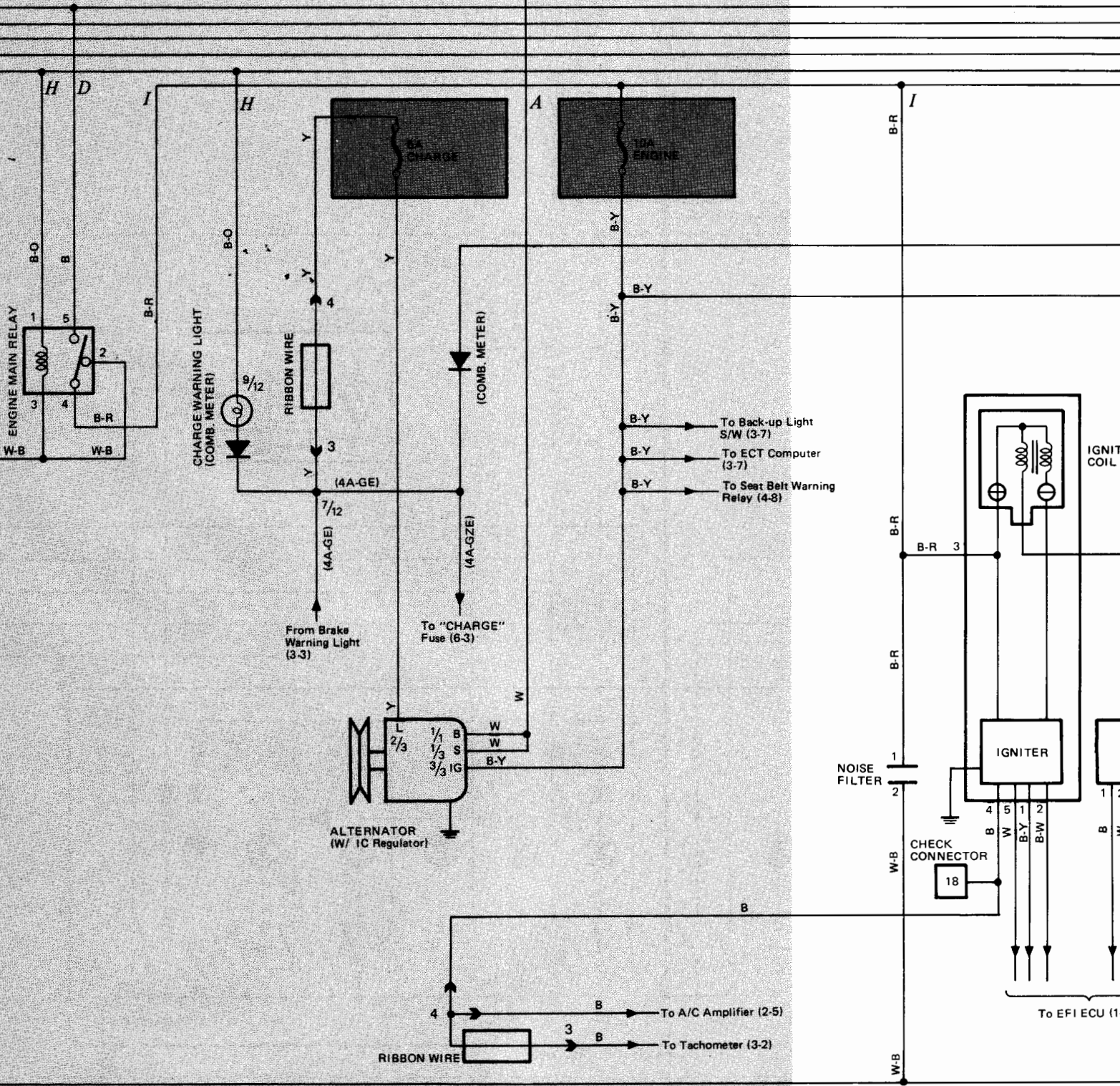
Charging



Ignition (4A-GE)

3

4



c = Located on center of back panel





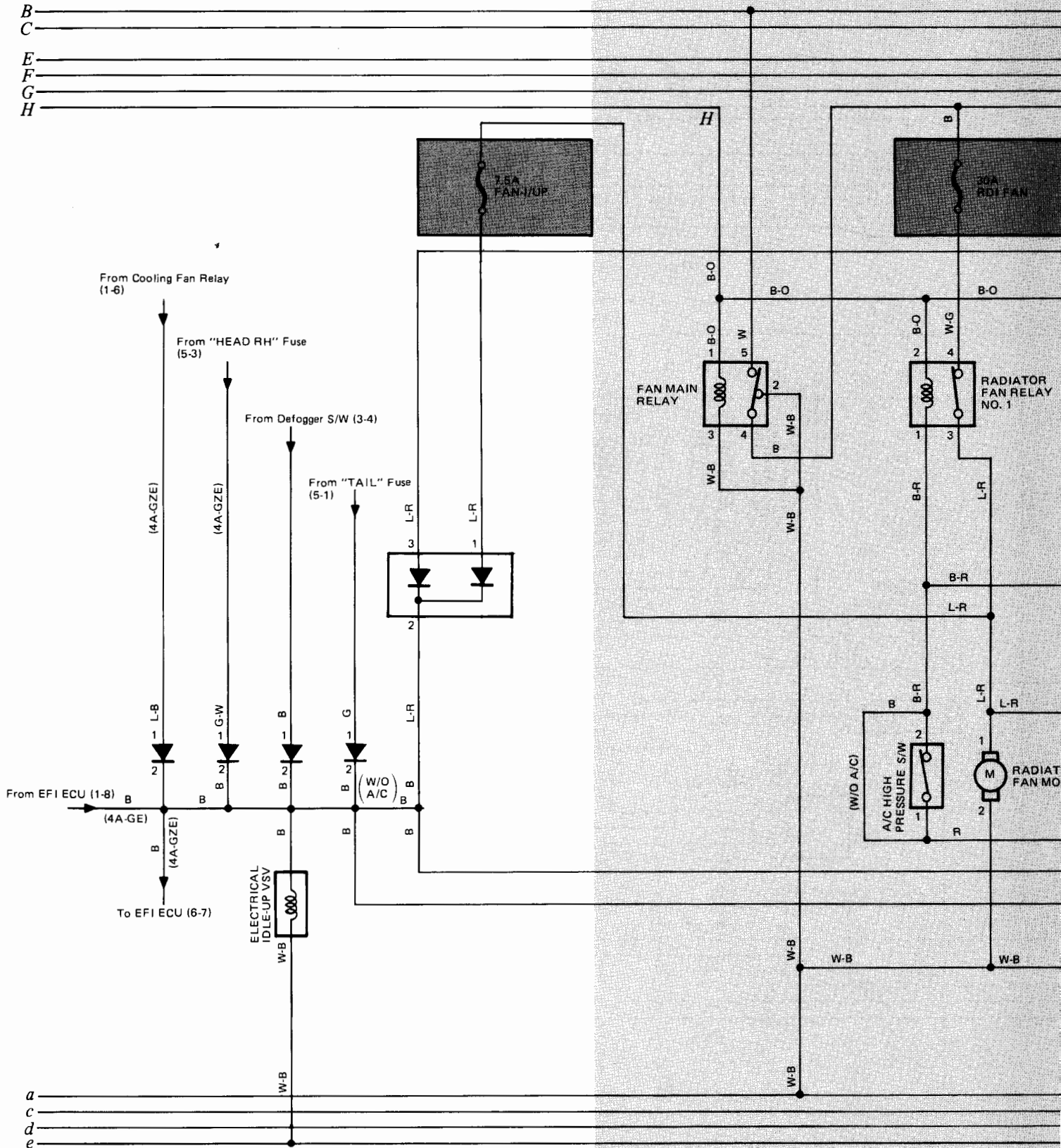
# 2 MR2 (Cont'd)



Idle-up



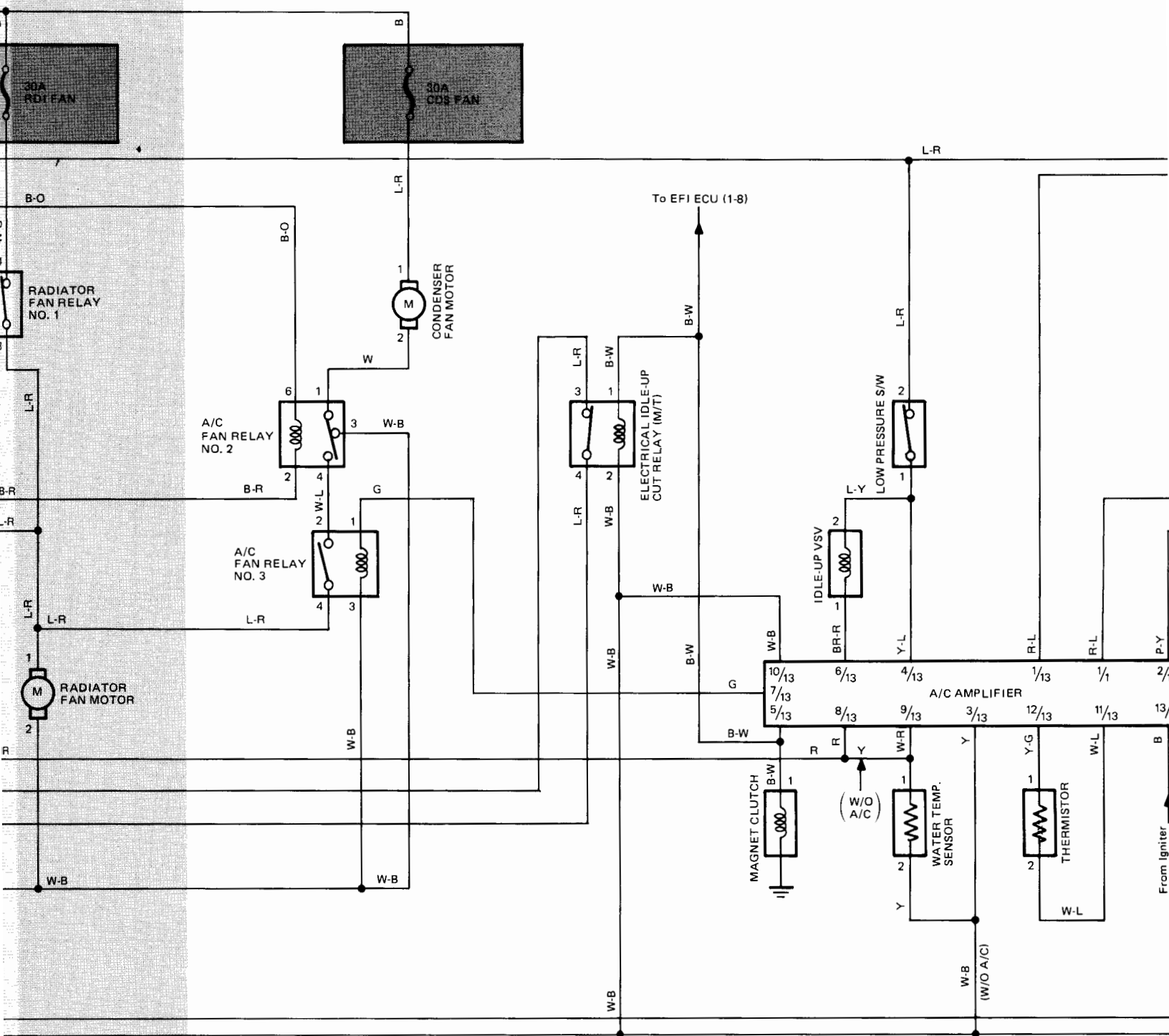
Radiator Fan



Ground points

a = Located in right front fender

c = Located under right front pillar



*d* = Located under left front pillar

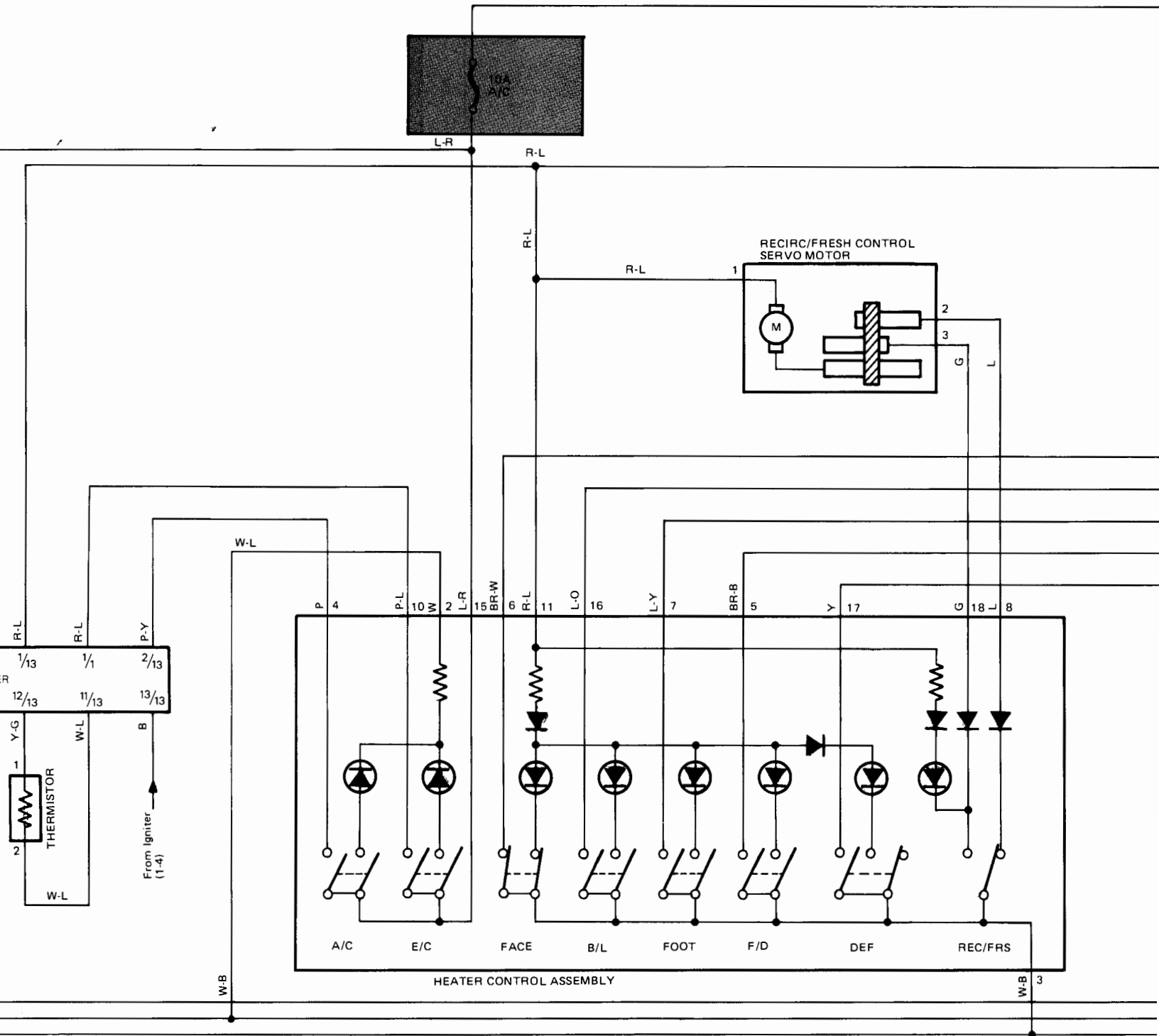
*e* = Located on center of back panel

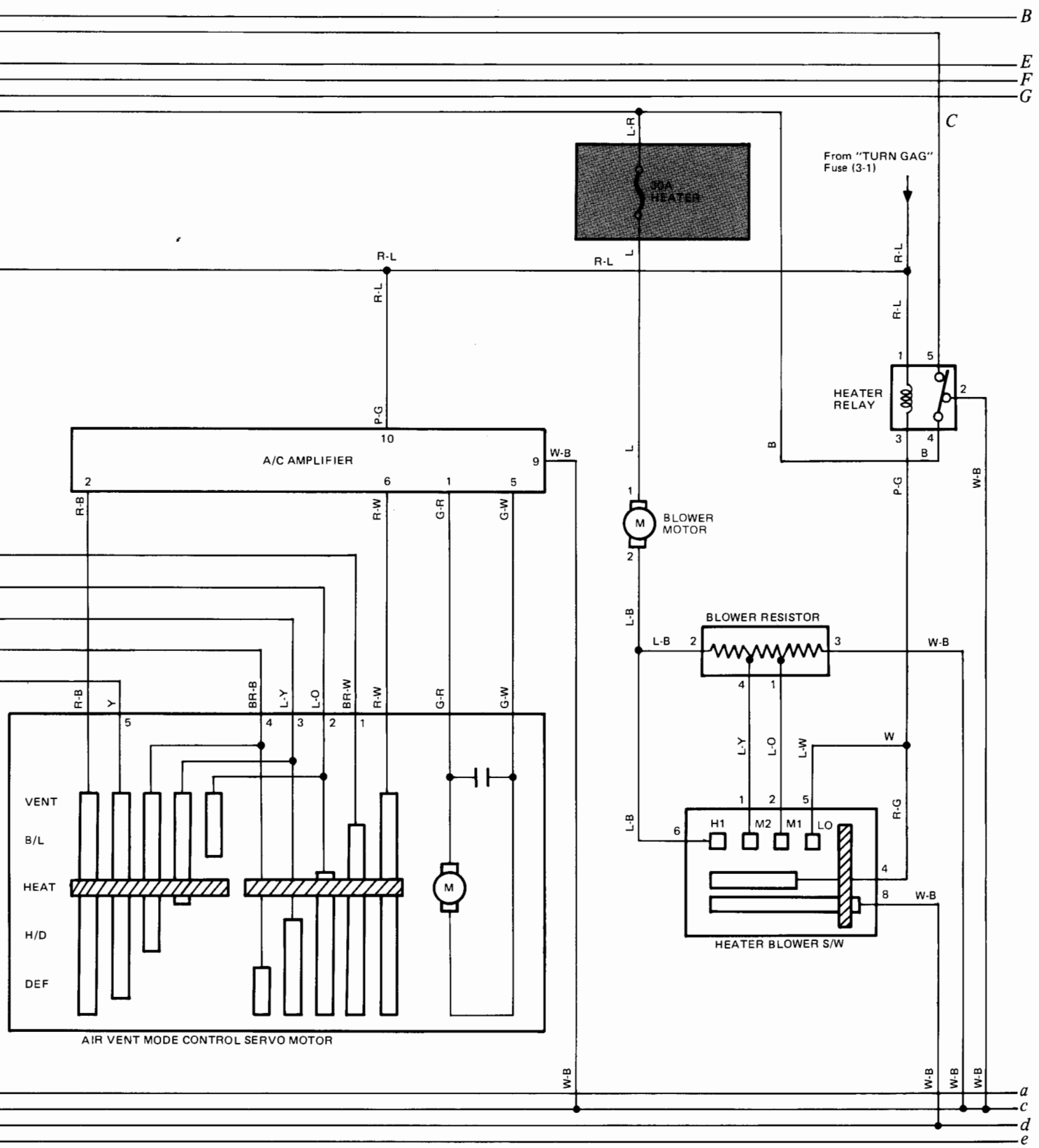


Air Conditioner, Cooler and Heater

5

6

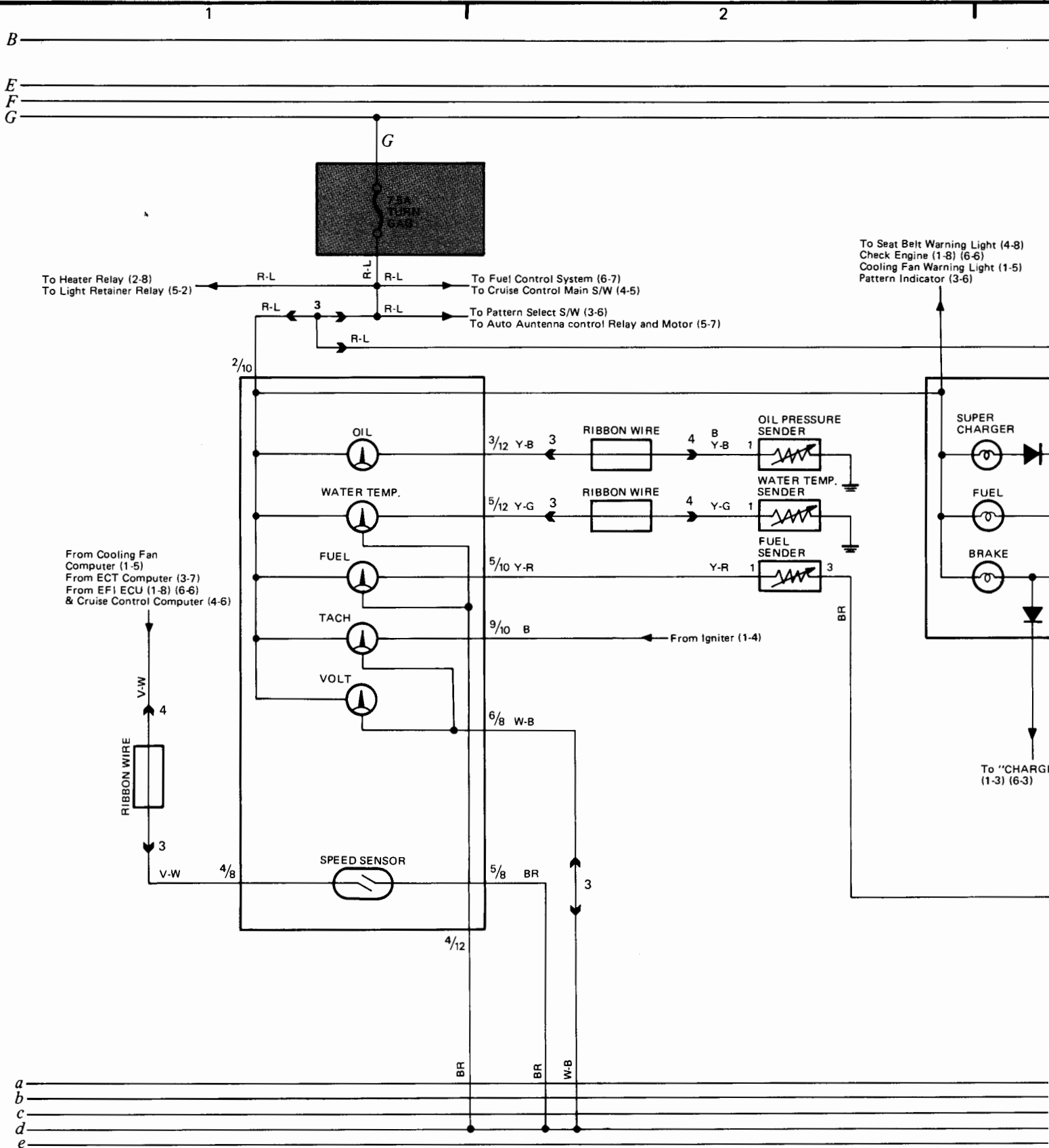








Combination Meter



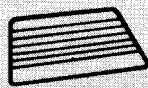
Ground points

*a* = Located in right front fender

*b* = Located on engine block

*c* = Located under right front pillar

*d* = Located under left front pillar

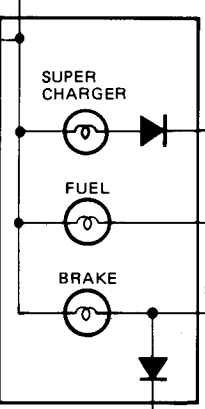


# Rear Window Defogger

3

4

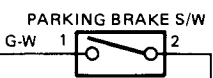
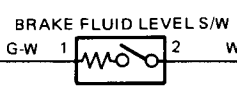
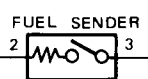
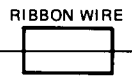
Warning Light (4-8)  
(1-8) (6-6)  
Warning Light (1-5)  
Motor (3-6)



2/12 To EFI ECU (6-7)

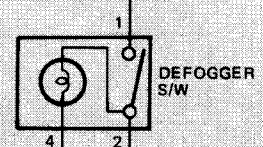
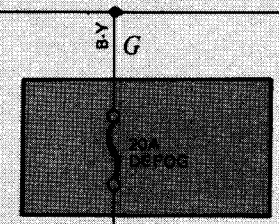
1/10 Y-L

8/12 3

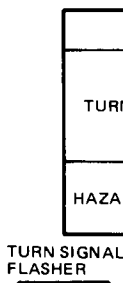
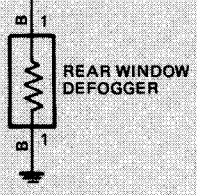


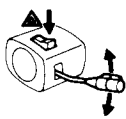
From Cruise Control Computer (4-6)  
From ECT Computer (3-7)

To "CHARGE" Fuse (1-3) (6-3)



To Electrical Idle-up VSV (2-1)

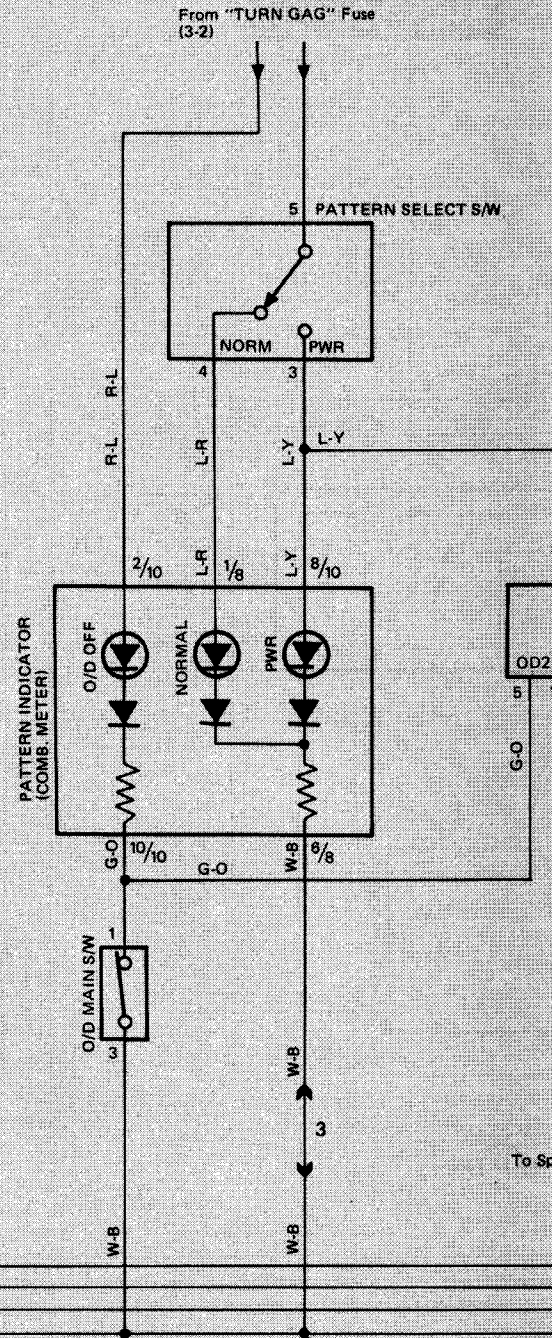
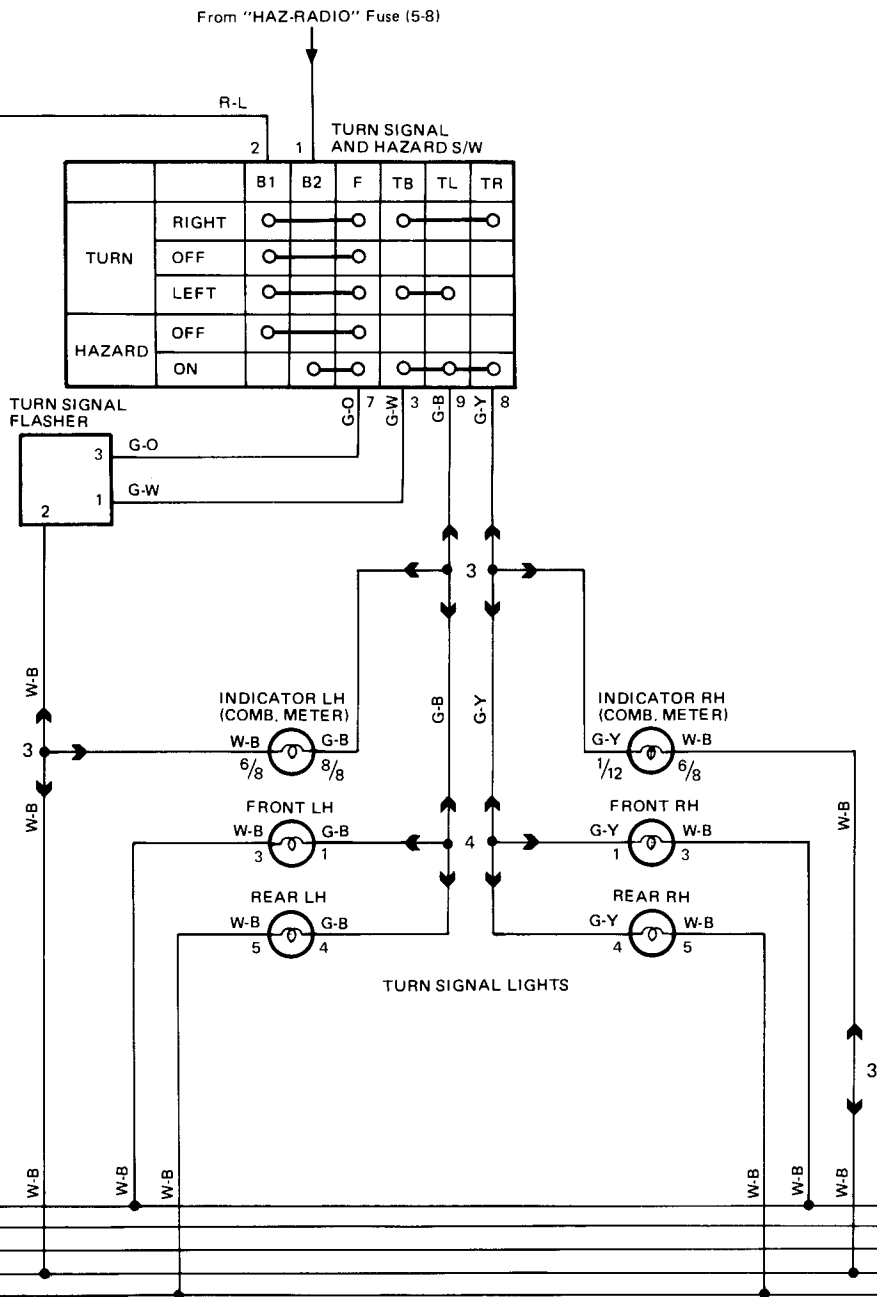




# Turn Signal and Hazard

5

6



To Sp

**ECT**

ECT



Back-up Lights

7

8

B

E

F

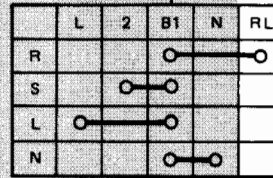
G

S/W

From "AM 2" Fuse (1-1)

From "ENGINE" Fuse (1-4)

NEUTRAL START S/W



BACK-UP LIGHT S/W (M/T)

From Stop Light S/W (4-8)

To Parking Brake S/W (3-3)

ECT COMPUTER

ODZ SP1 IDL OP1 L1 L2 L3 S1 S2 SL SP2 DG GND

5 16 1 17 4 3 2 12 11 10 15 13 19

G-O V-W B P-W Y-L Y-G Y-R From Cruise Control Computer (4-6) To EFI ECU (1-8)

From Cruise Control Computer (4-6) From Cruise Control Computer (4-6) From Cruise Control Computer (4-6) From Cruise Control Computer (4-6)

To Speed Sensor (3-1) To Throttle Position Sensor (1-8) From Cruise Control Computer (4-6) From Cruise Control Computer (4-6) From Cruise Control Computer (4-6) From Cruise Control Computer (4-6)

From Cruise Control Computer (4-6) From Cruise Control Computer (4-6) From Cruise Control Computer (4-6) From Cruise Control Computer (4-6)

From Cruise Control Computer (4-6) From Cruise Control Computer (4-6) From Cruise Control Computer (4-6) From Cruise Control Computer (4-6)

From Cruise Control Computer (4-6) From Cruise Control Computer (4-6) From Cruise Control Computer (4-6) From Cruise Control Computer (4-6)

From Cruise Control Computer (4-6) From Cruise Control Computer (4-6) From Cruise Control Computer (4-6) From Cruise Control Computer (4-6)

From Cruise Control Computer (4-6) From Cruise Control Computer (4-6) From Cruise Control Computer (4-6) From Cruise Control Computer (4-6)

From Cruise Control Computer (4-6) From Cruise Control Computer (4-6) From Cruise Control Computer (4-6) From Cruise Control Computer (4-6)

From Cruise Control Computer (4-6) From Cruise Control Computer (4-6) From Cruise Control Computer (4-6) From Cruise Control Computer (4-6)

From Cruise Control Computer (4-6) From Cruise Control Computer (4-6) From Cruise Control Computer (4-6) From Cruise Control Computer (4-6)

From Cruise Control Computer (4-6) From Cruise Control Computer (4-6) From Cruise Control Computer (4-6) From Cruise Control Computer (4-6)

From Cruise Control Computer (4-6) From Cruise Control Computer (4-6) From Cruise Control Computer (4-6) From Cruise Control Computer (4-6)

From Cruise Control Computer (4-6) From Cruise Control Computer (4-6) From Cruise Control Computer (4-6) From Cruise Control Computer (4-6)

From Cruise Control Computer (4-6) From Cruise Control Computer (4-6) From Cruise Control Computer (4-6) From Cruise Control Computer (4-6)

From Cruise Control Computer (4-6) From Cruise Control Computer (4-6) From Cruise Control Computer (4-6) From Cruise Control Computer (4-6)

From Cruise Control Computer (4-6) From Cruise Control Computer (4-6) From Cruise Control Computer (4-6) From Cruise Control Computer (4-6)

From Cruise Control Computer (4-6) From Cruise Control Computer (4-6) From Cruise Control Computer (4-6) From Cruise Control Computer (4-6)

From Cruise Control Computer (4-6) From Cruise Control Computer (4-6) From Cruise Control Computer (4-6) From Cruise Control Computer (4-6)

From Cruise Control Computer (4-6) From Cruise Control Computer (4-6) From Cruise Control Computer (4-6) From Cruise Control Computer (4-6)

From Cruise Control Computer (4-6) From Cruise Control Computer (4-6) From Cruise Control Computer (4-6) From Cruise Control Computer (4-6)

From Cruise Control Computer (4-6) From Cruise Control Computer (4-6) From Cruise Control Computer (4-6) From Cruise Control Computer (4-6)

From Cruise Control Computer (4-6) From Cruise Control Computer (4-6) From Cruise Control Computer (4-6) From Cruise Control Computer (4-6)

From Cruise Control Computer (4-6) From Cruise Control Computer (4-6) From Cruise Control Computer (4-6) From Cruise Control Computer (4-6)

From Cruise Control Computer (4-6) From Cruise Control Computer (4-6) From Cruise Control Computer (4-6) From Cruise Control Computer (4-6)

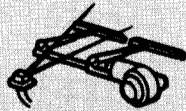


BACK-UP LIGHTS (RR. COMB. LIGHT)

a  
b  
c  
d  
e



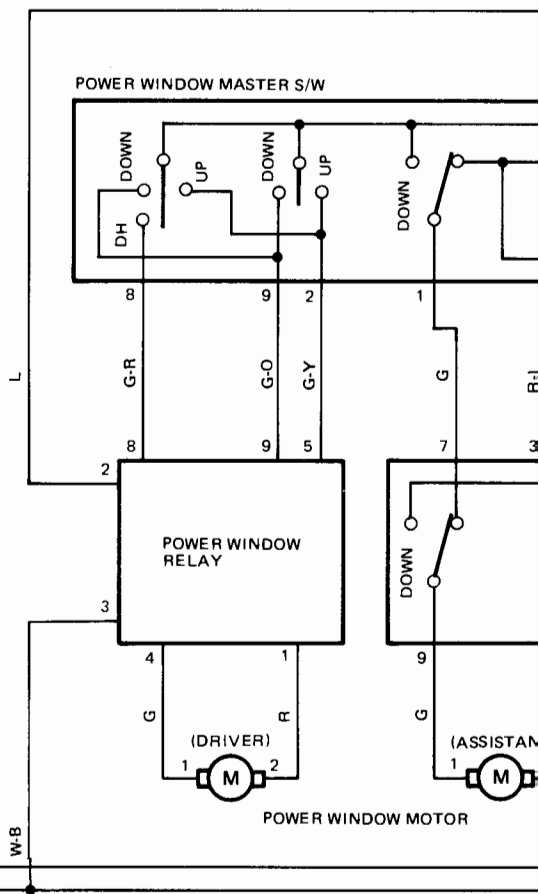
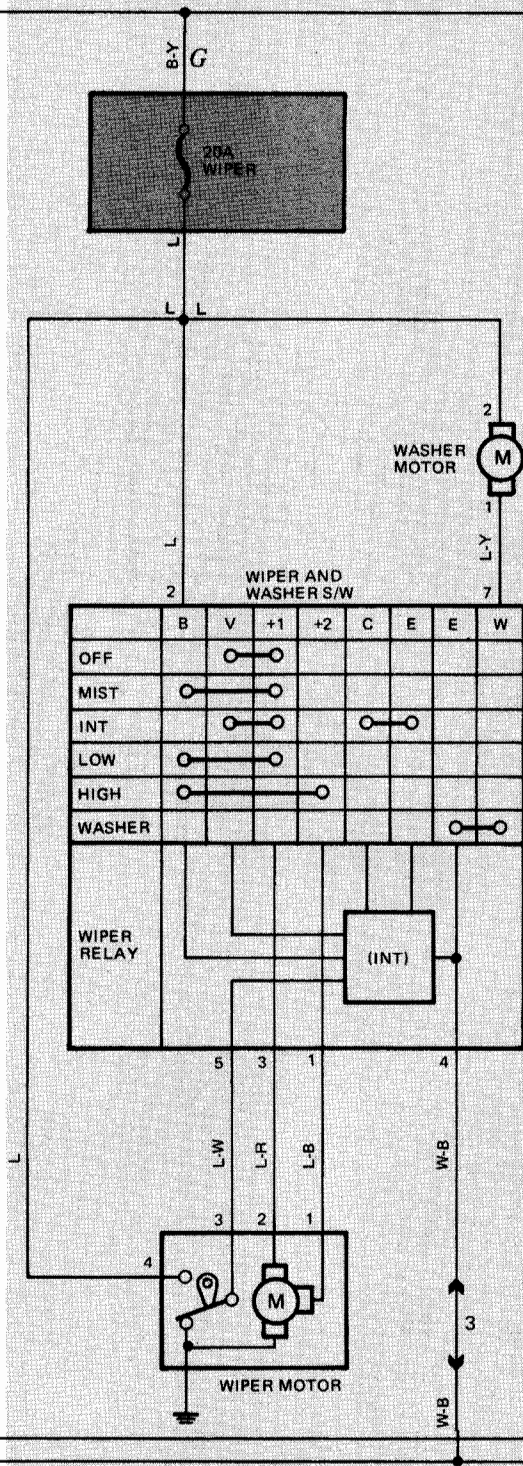
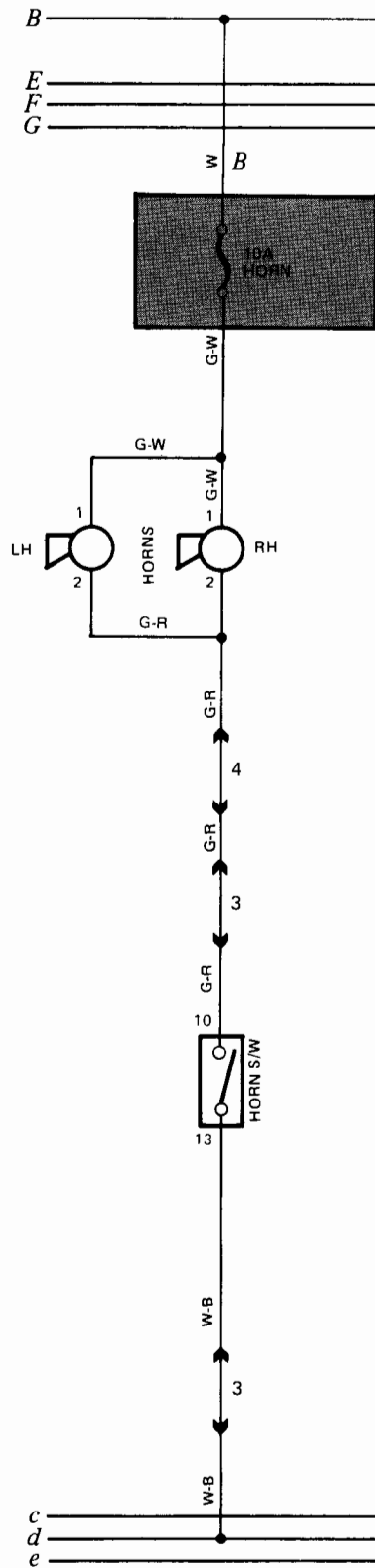
Horn



Front Wiper and Washer



Power Windows



Ground points

c = Located under right front pillar

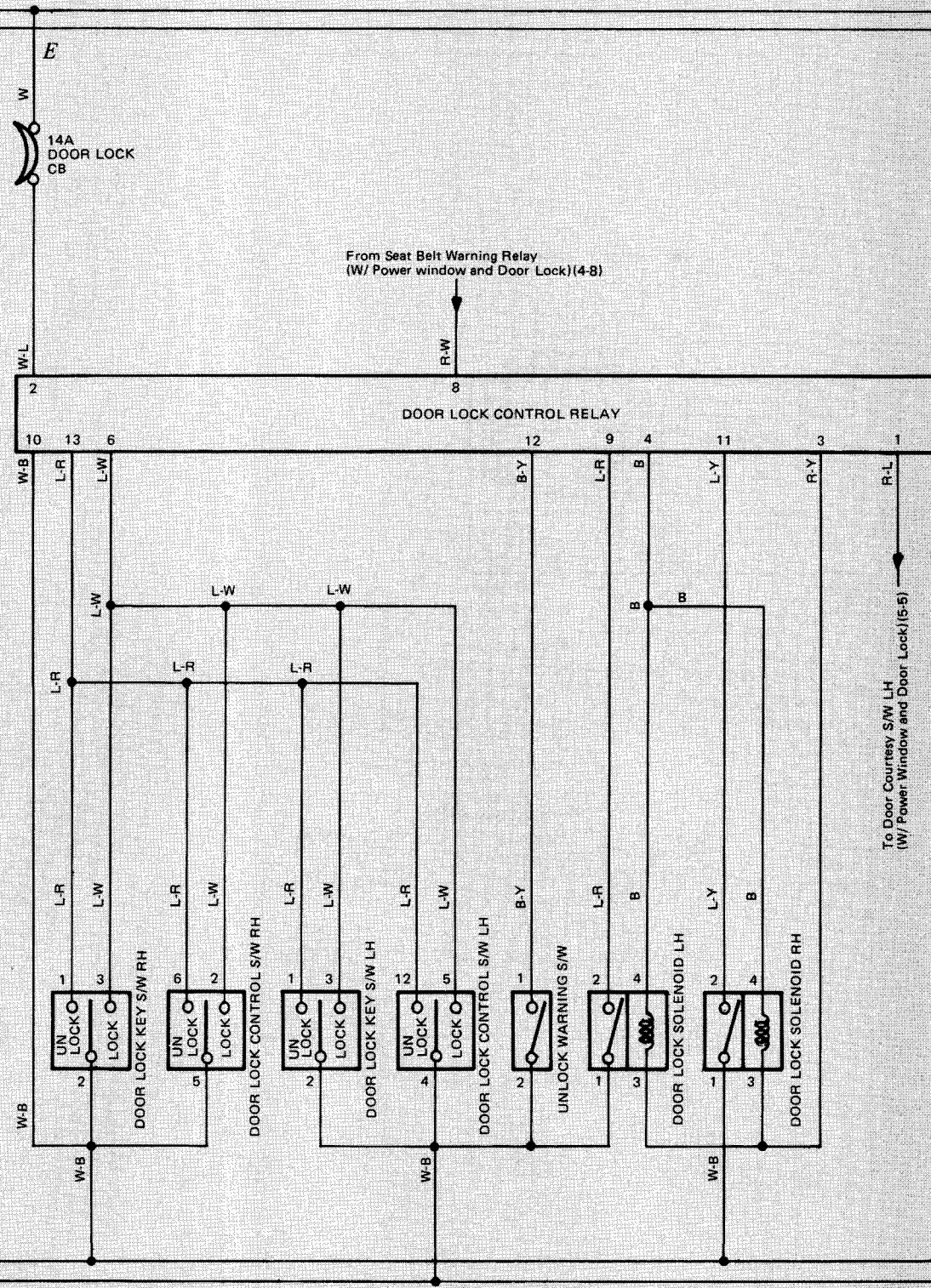
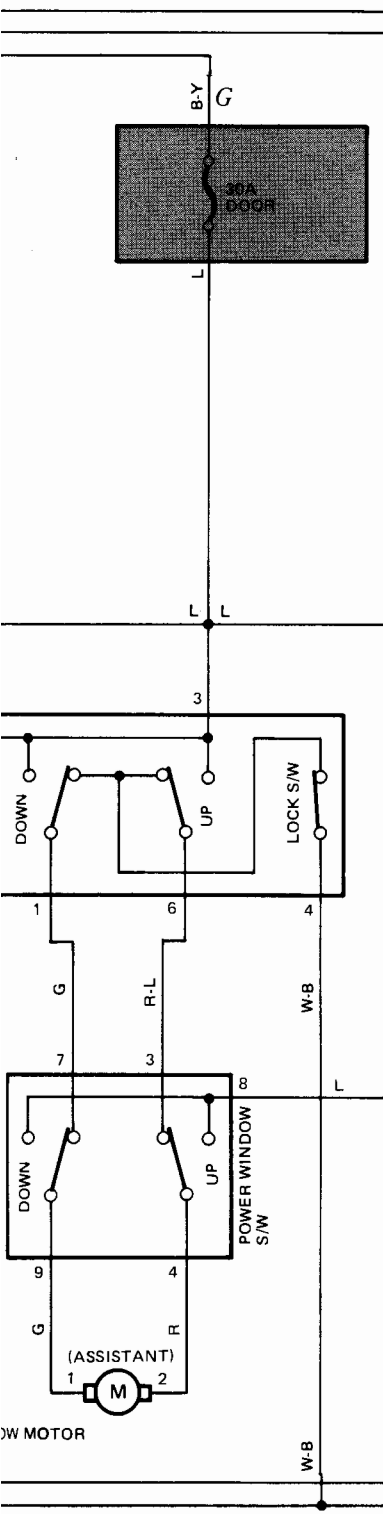
d = Located under left front pillar

e = Located on center of back panel



3

4



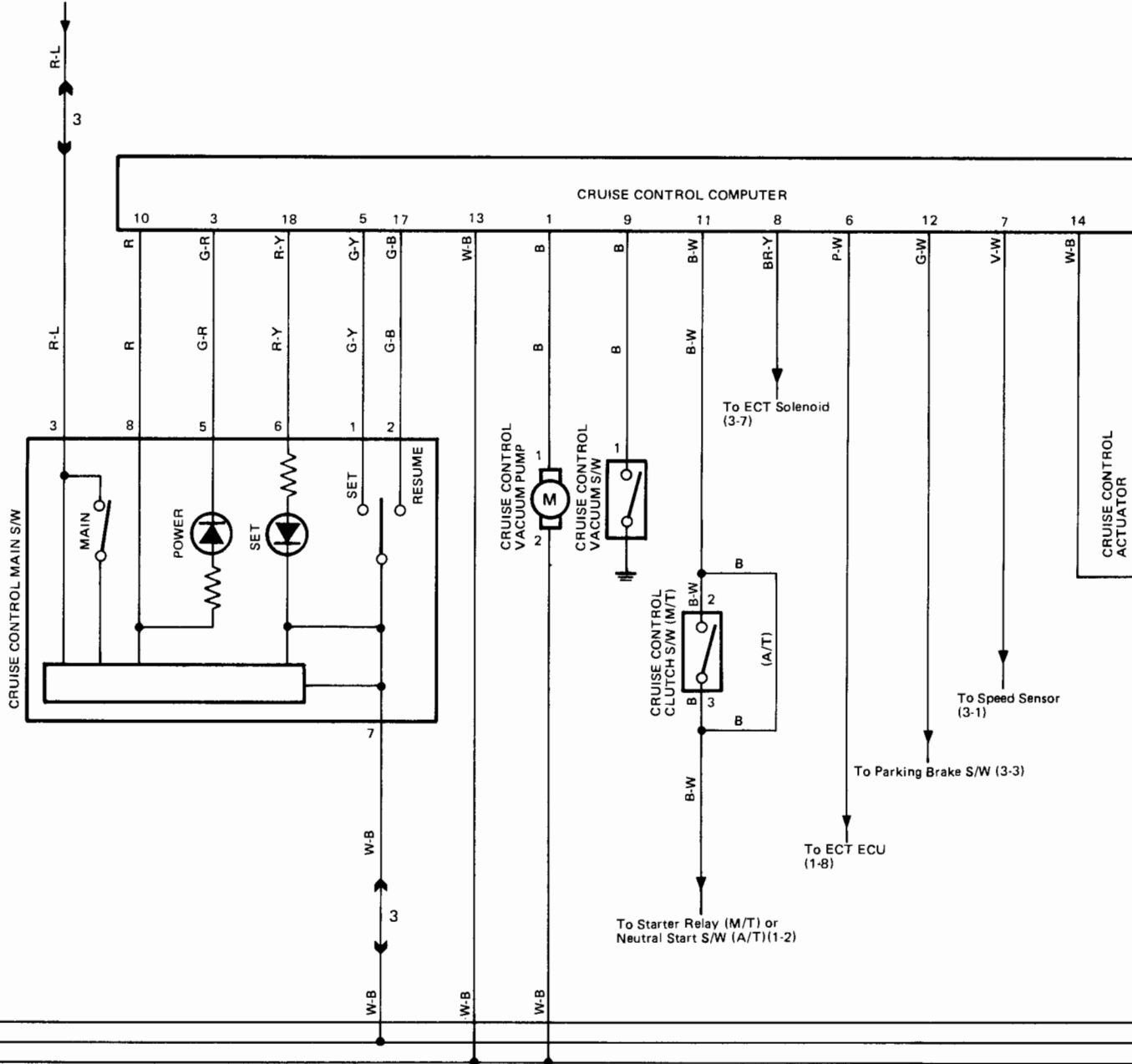
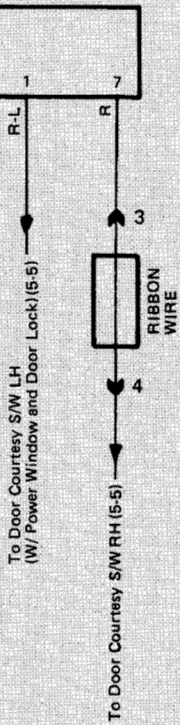


# Cruise Control

5

6

From "TURN GAG" Fuse (3-1)

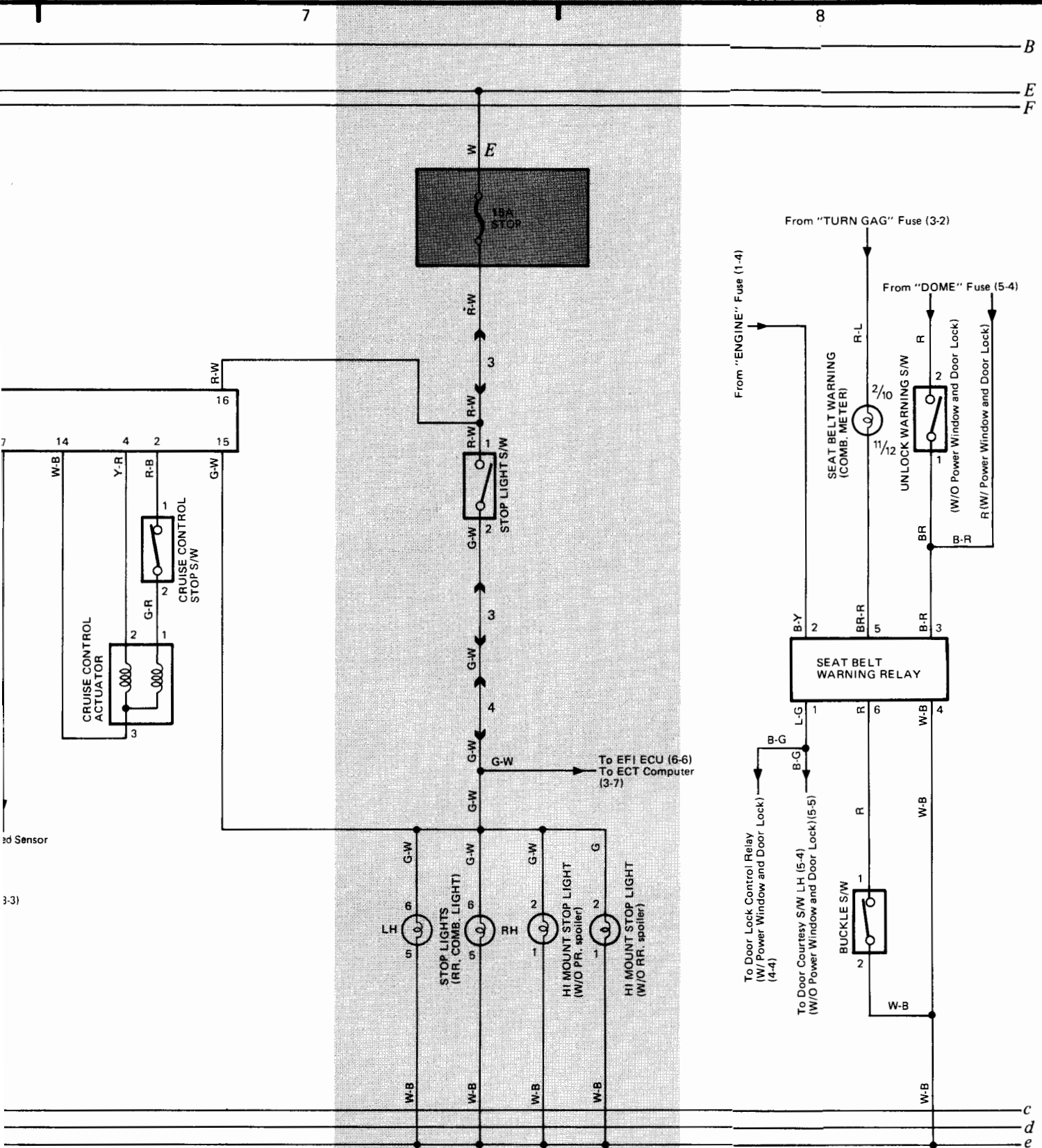




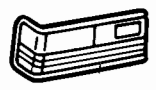
### Stop Lights



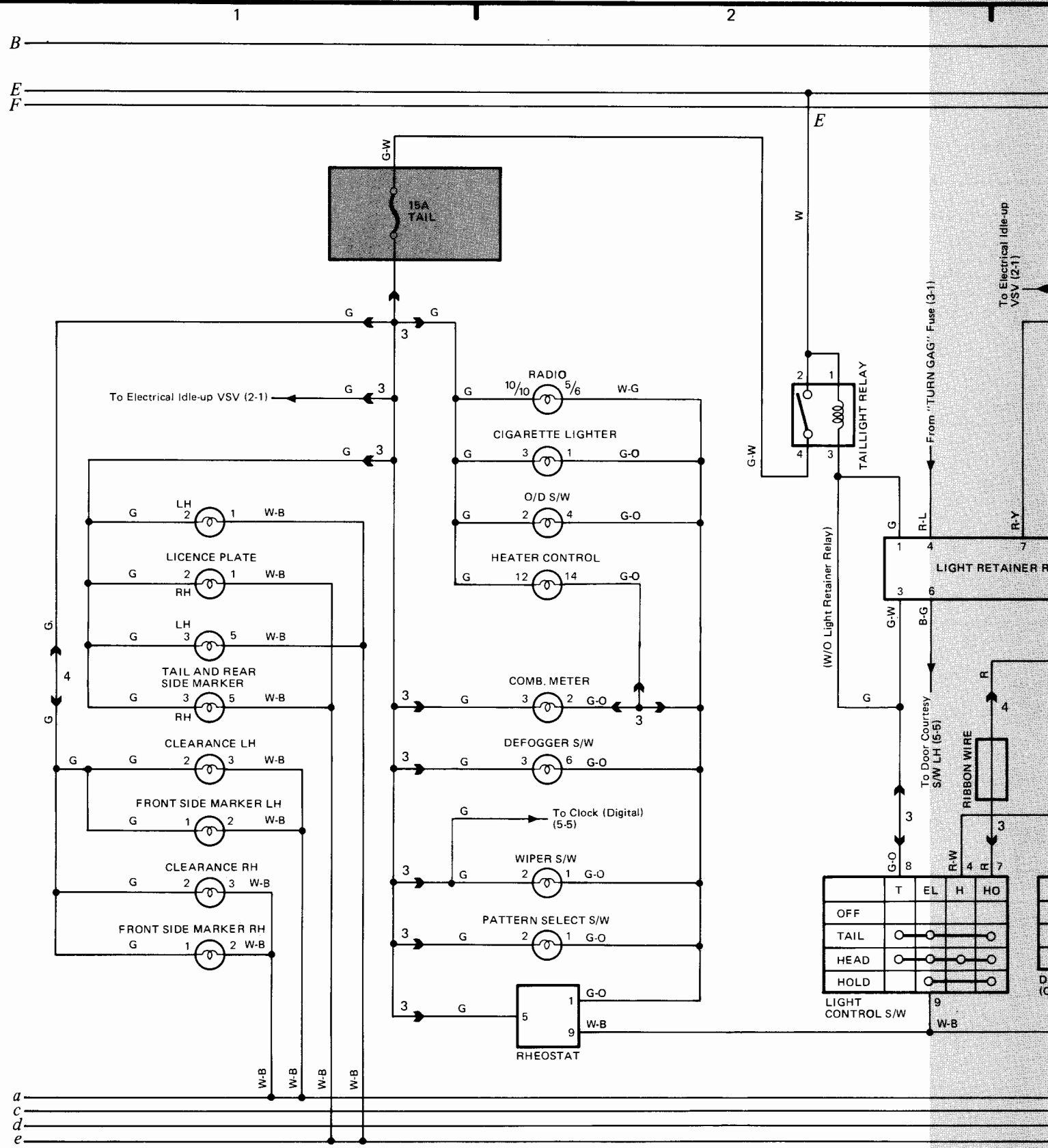
### Unlock and Seat Belt Warning







Taillights and Illumination.



Ground points

a = Located in right front fender

c = Located under right front pillar

d = Located under left front pillar

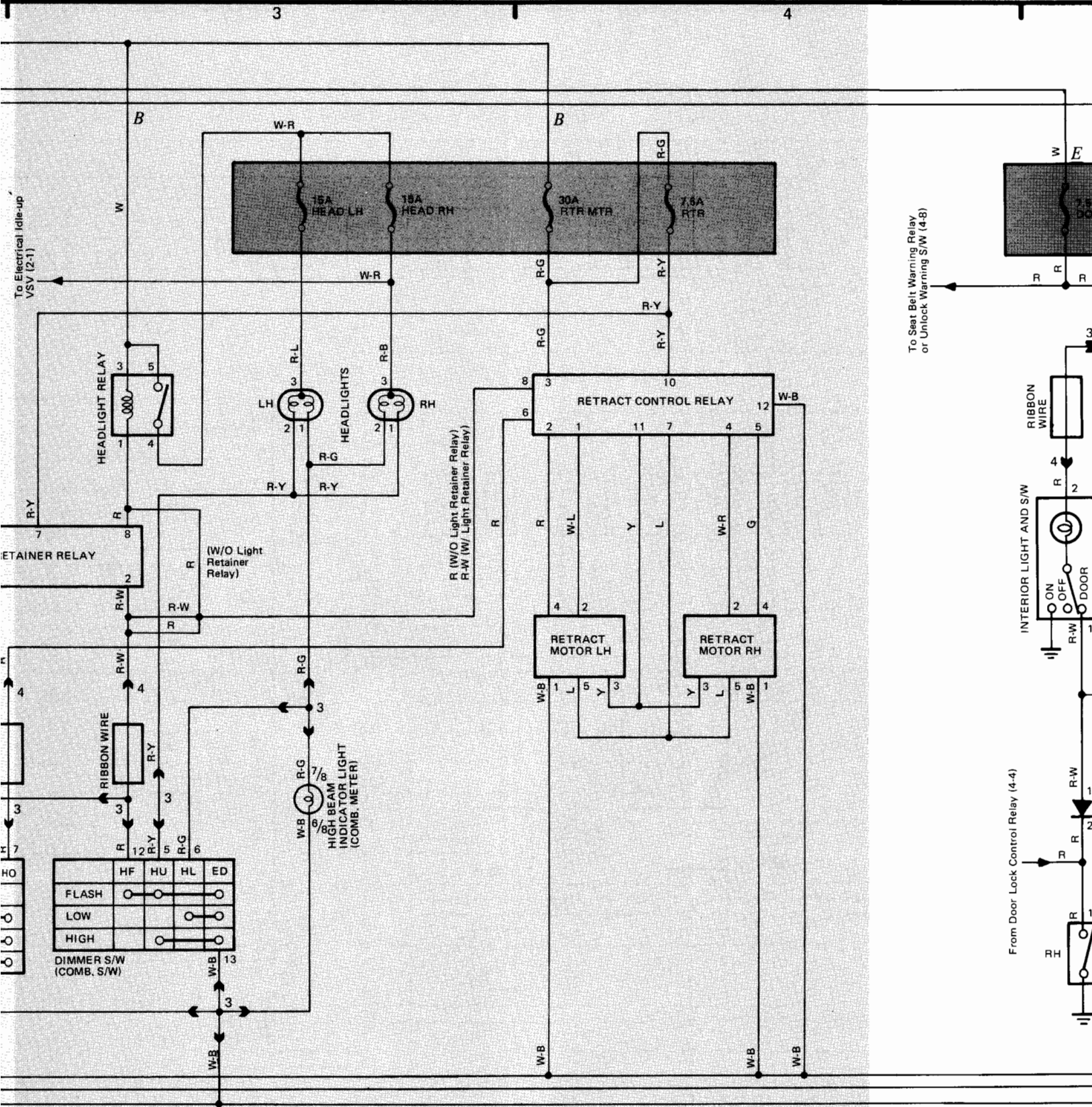
e = Located



Headlights



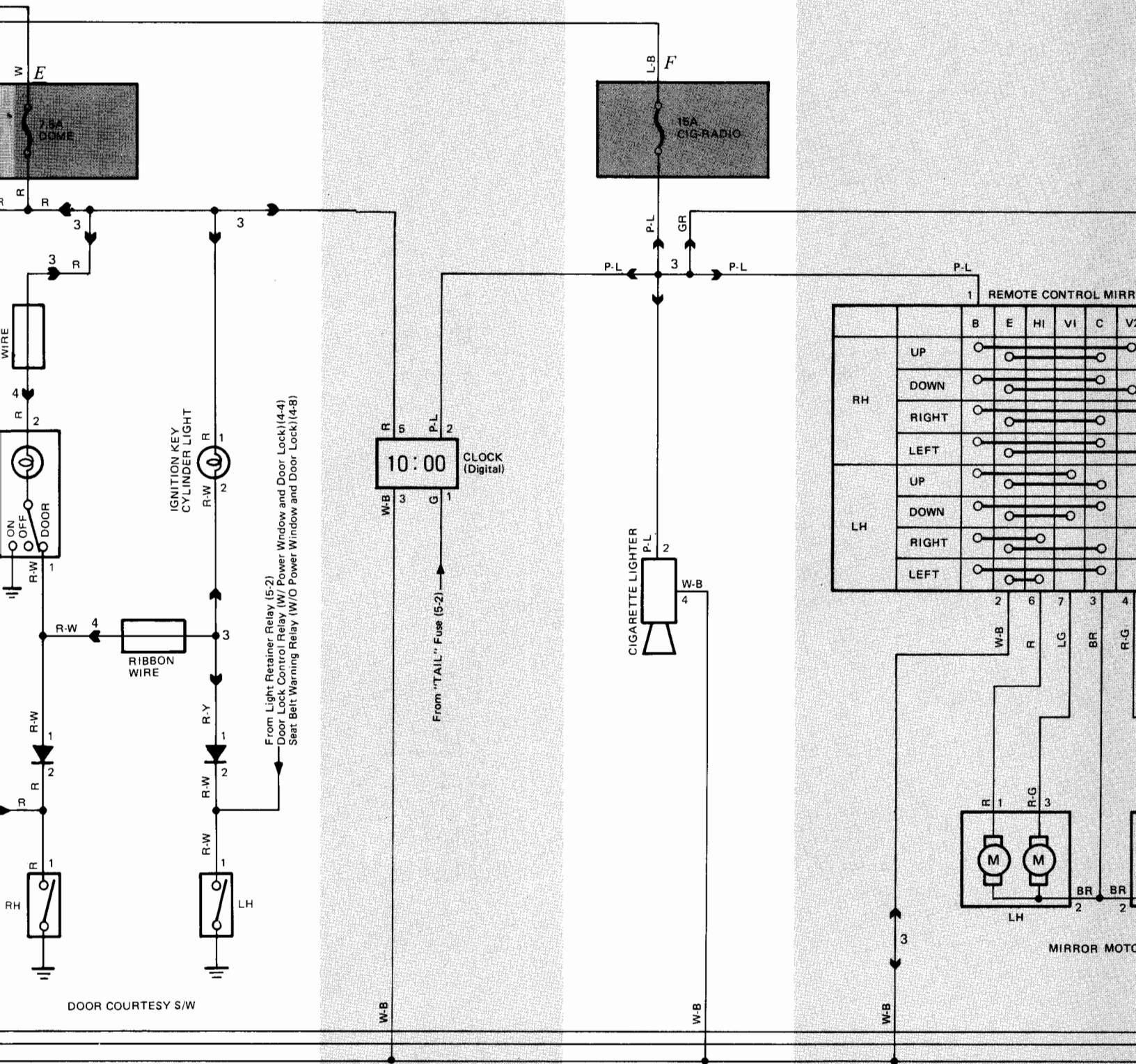
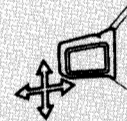
Interior



To Seat Belt Warning Relay or Unlock Warning S/W (4.8)

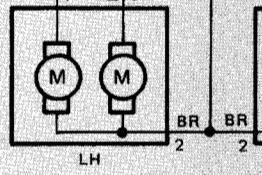
From Door Lock Control Relay (4-4)

e = Located on center of back panel



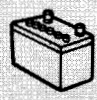
1 REMOTE CONTROL MIRRORS

		B	E	HI	VI	C	V2
RH	UP	○	○	○	○	○	○
	DOWN	○	○	○	○	○	○
	RIGHT	○	○	○	○	○	○
LH	UP	○	○	○	○	○	○
	DOWN	○	○	○	○	○	○
	RIGHT	○	○	○	○	○	○
	LEFT	○	○	○	○	○	○





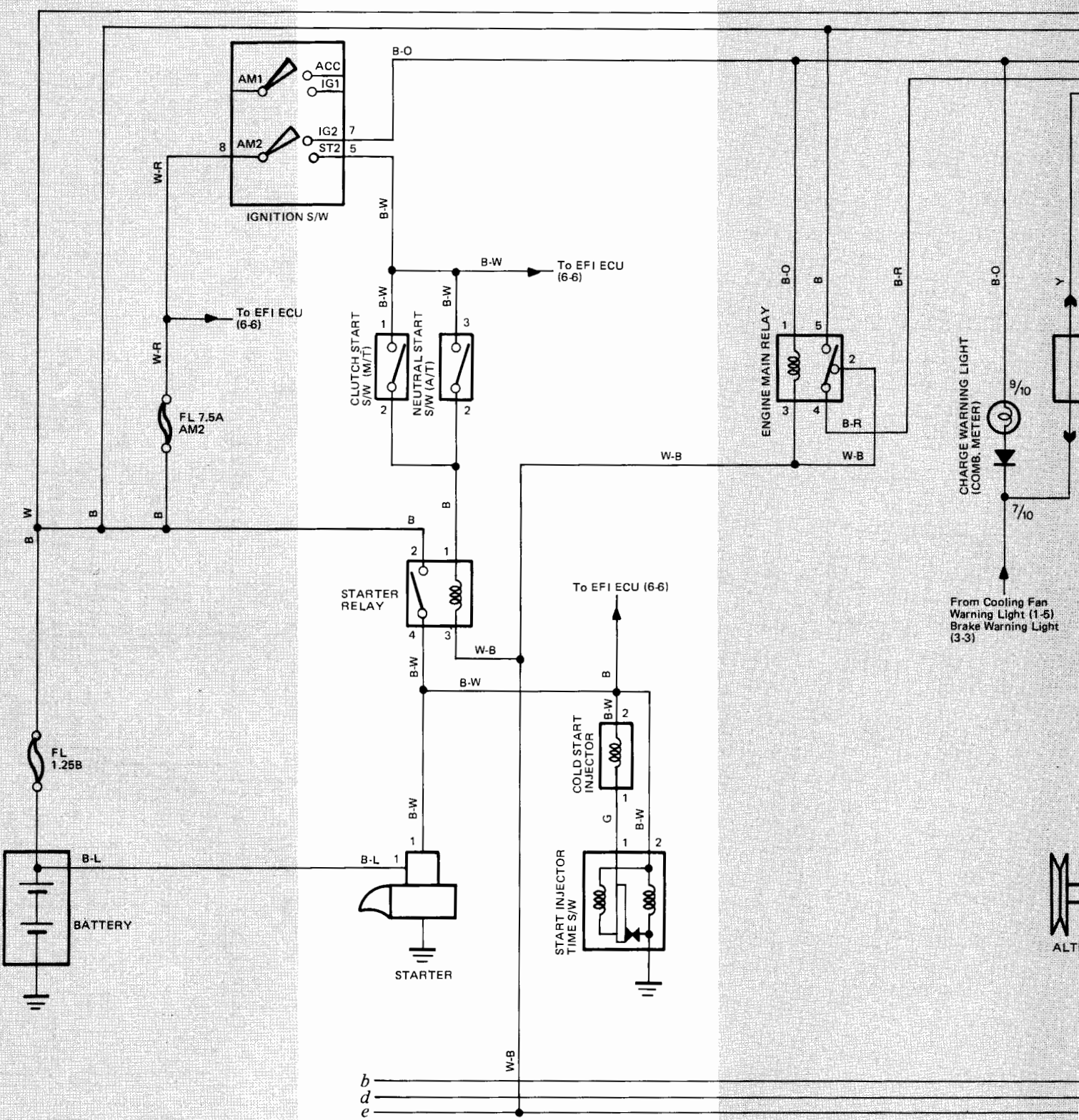
# 6 MR2 (Cont'd)



Power Source  
(4A-GZE)



Starting  
(4A-GZE)



Ground points

*b* = Located on engine block

*d* = Located under left front pillar

*e* = Located on



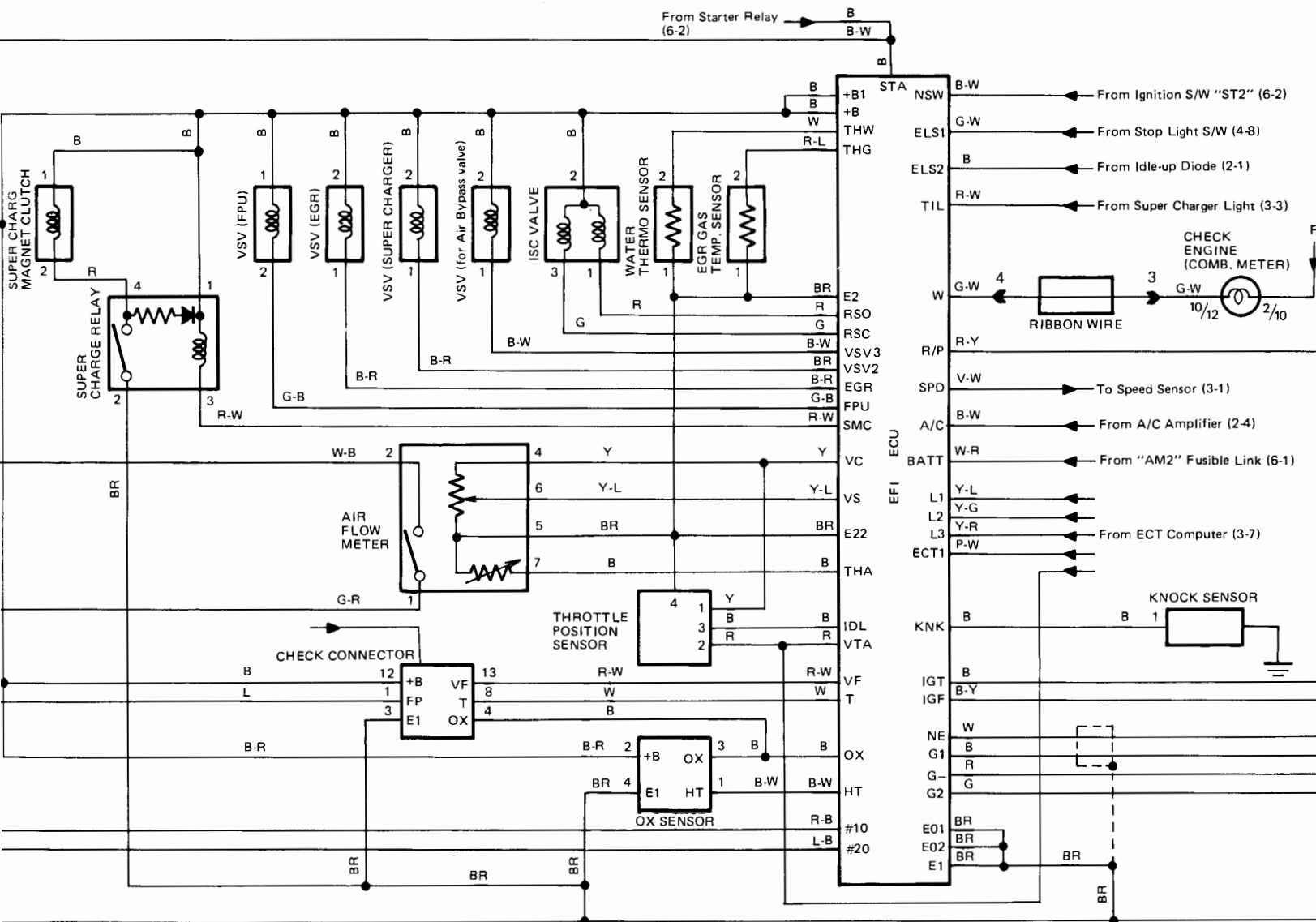


EFI  
(4A-GZE)

5

6

E01	RSC	STA	EGR	NSW	#10	#20	G-	G1	G2	NE	VSV <sub>3</sub>	IGF	THW	R/P	VSV <sub>2</sub>	L1	L2	TIL	SPD	ELS <sub>1</sub>	THA	VS	VC	BATT	ELS <sub>2</sub>
E02	RSO	IGT	E1	SMC			VF	T	VTA	IDL	HT	OX	E2	E22		L3	ECT	A/C	W	FPU	KNK		THG	+B	+B1



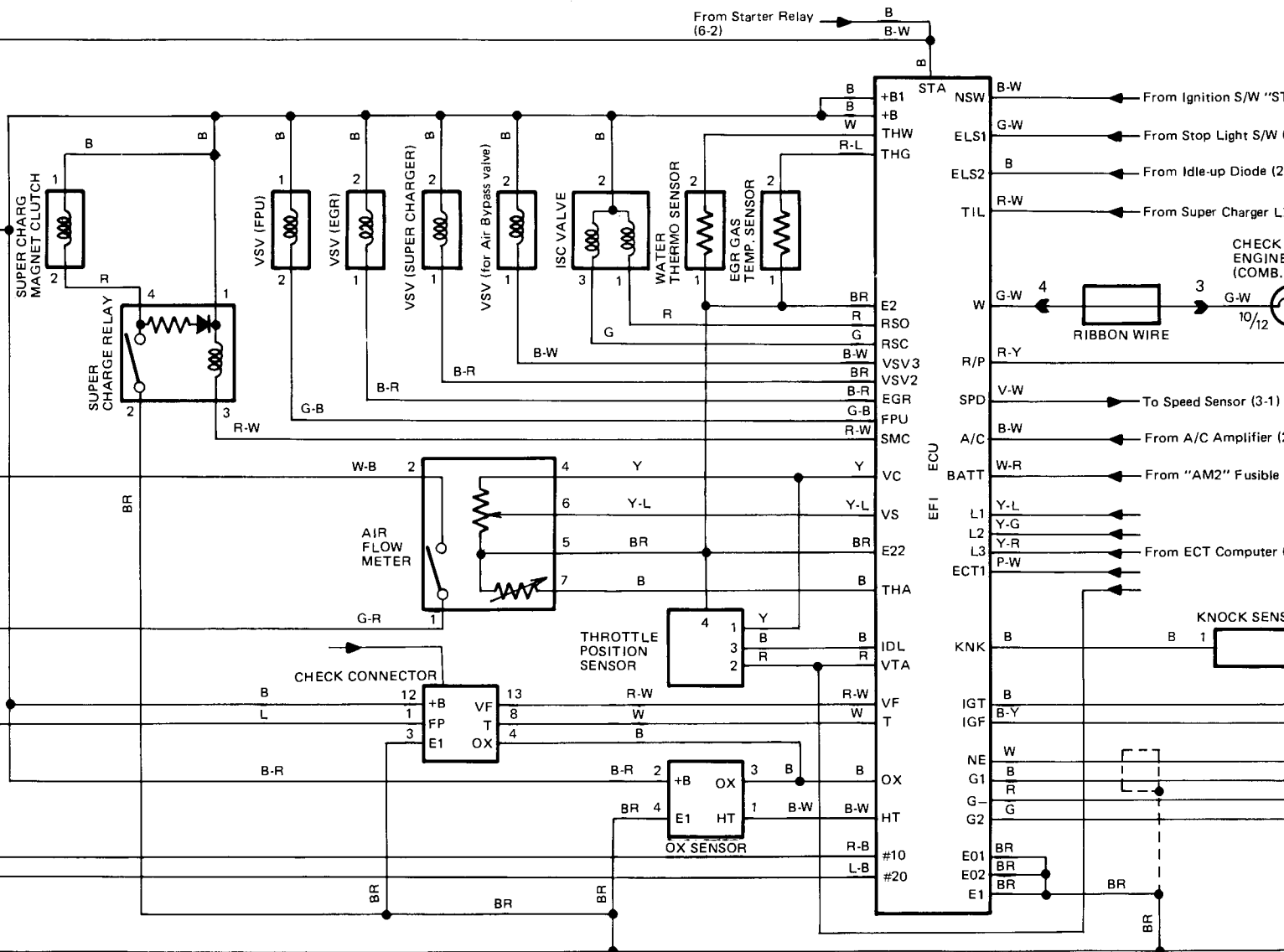


EFI  
(4A-GZE)

5

6

E01	RSC	STA	EGR	NSW	#10	#20	G-	G1	G2	NE	VSV <sub>3</sub>	IGF	THW	R/P	VSV <sub>2</sub>	L1	L2	TIL	SPD	ELS <sub>1</sub>	THA	VS	VC
E02	RSO	IGT	E1	SMC			VF	T	VTA	IDL	HT	OX	E2	E22		L3	ECT	A/C	W	FPU	KNK	THG	







### Fuel Control System (4A-GZE)

7



### Ignition (4A-GZE)

8

VC	BATT	ELS 2
THG	+B	+B1

W "ST2" (6-2)  
S/W (4-8)  
ode (2-1)  
arger Light (3-3)  
HECK  
ENGINE  
OMB. METER)  
2/12 2/10  
(3-1)  
ifier (2-4)  
isible Link (6-1)  
outer (3-7)  
SENSOR

