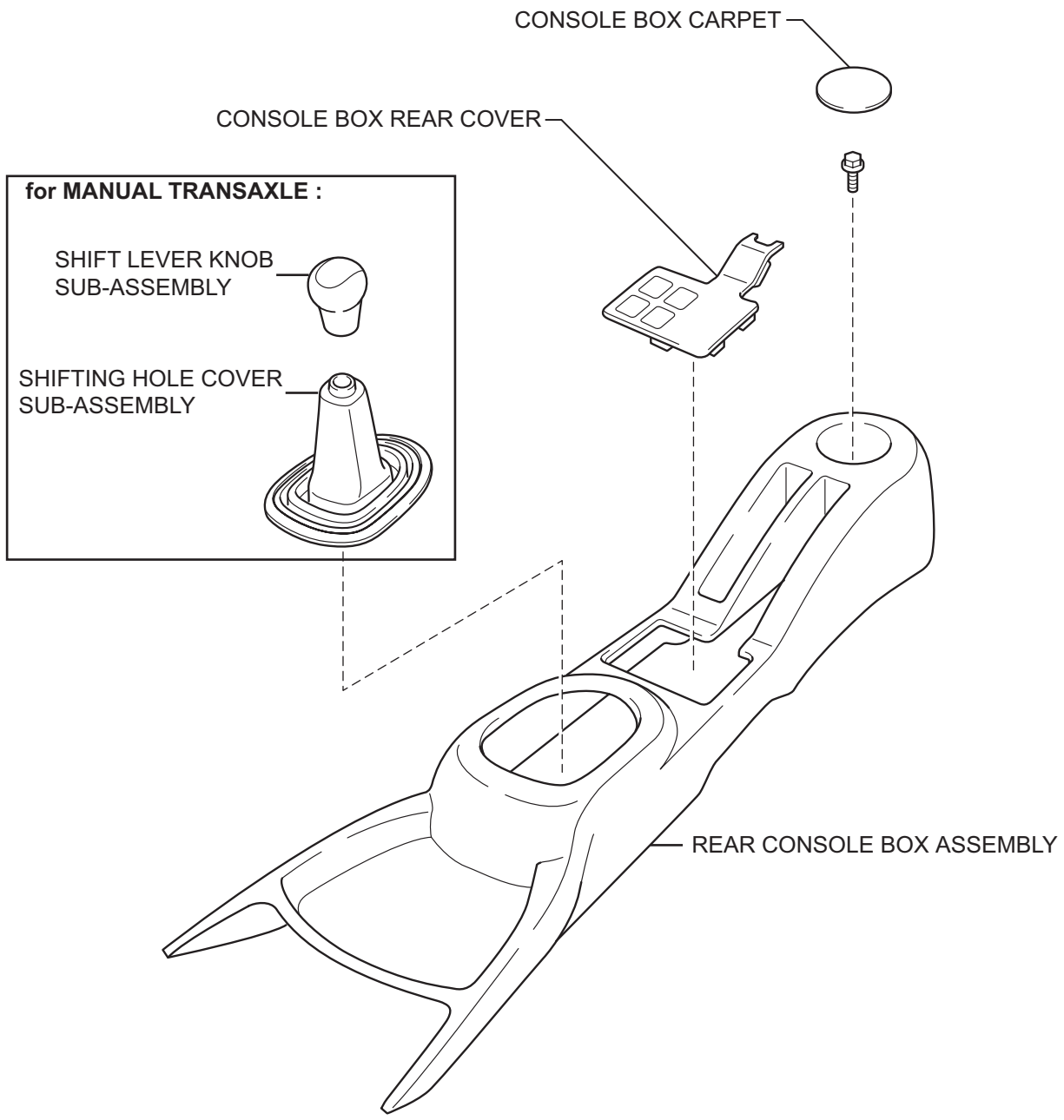


EXHAUST PIPE

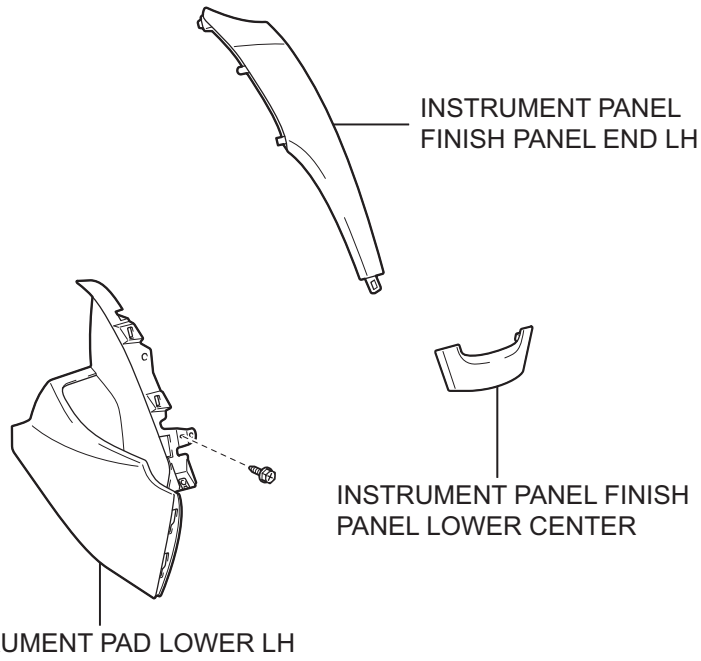
COMPONENTS

for Hatchback:

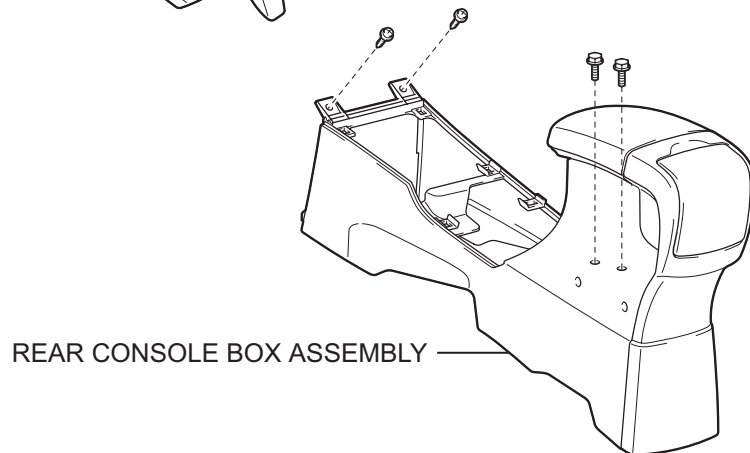
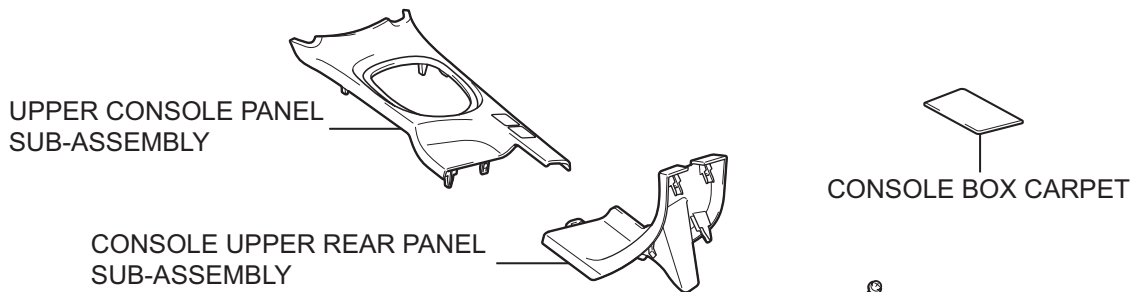
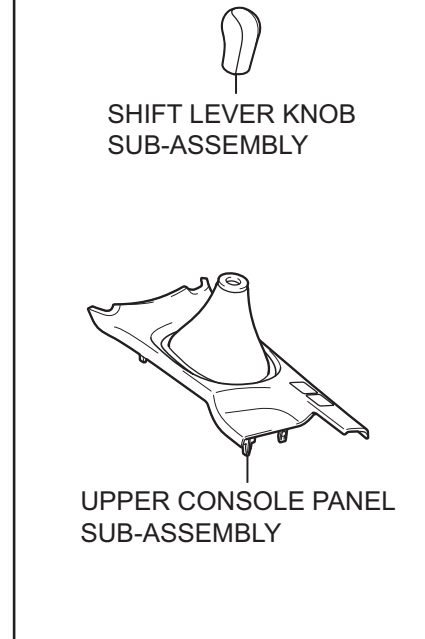


EX

for Sedan:

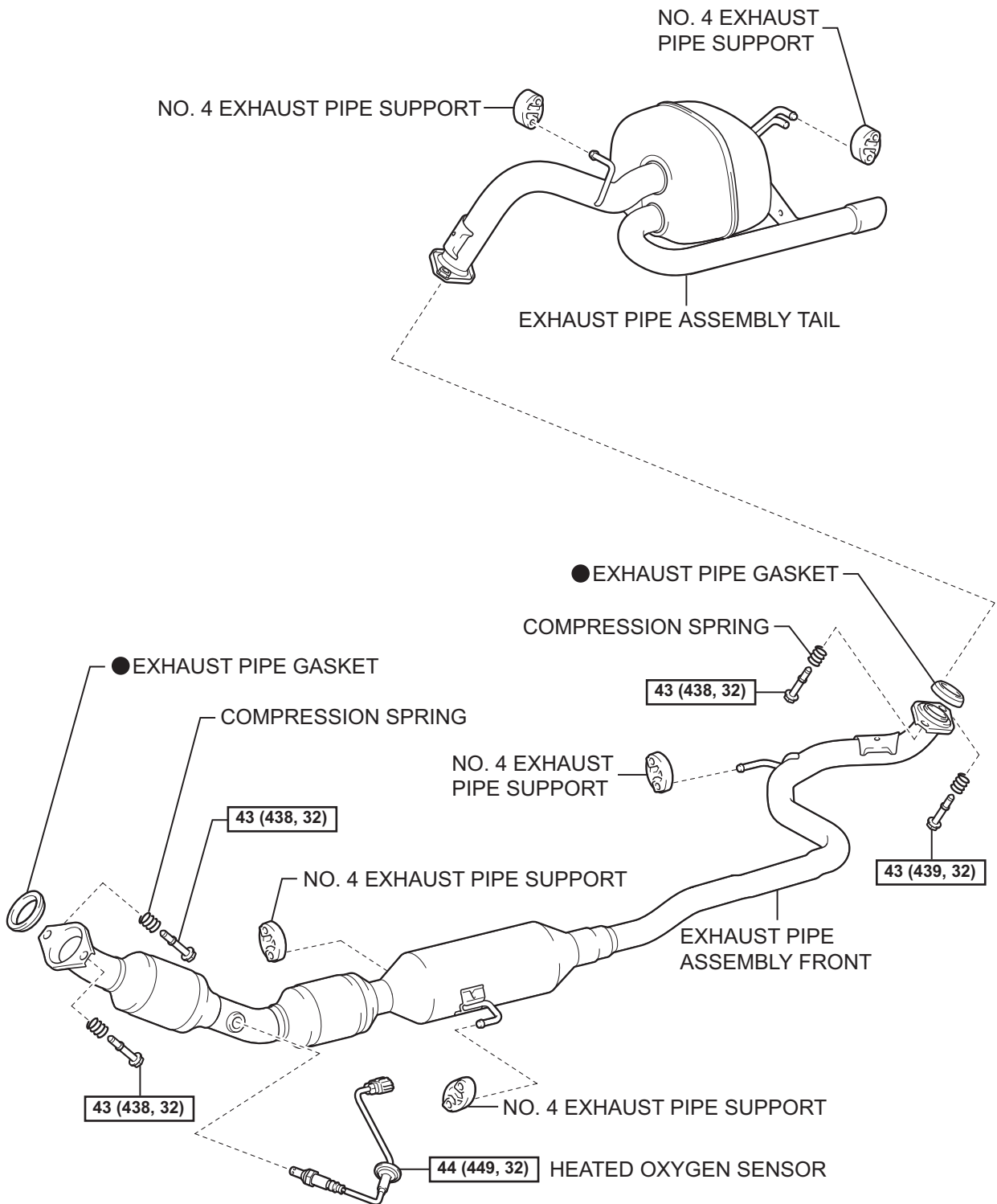


for Manual Transaxle:



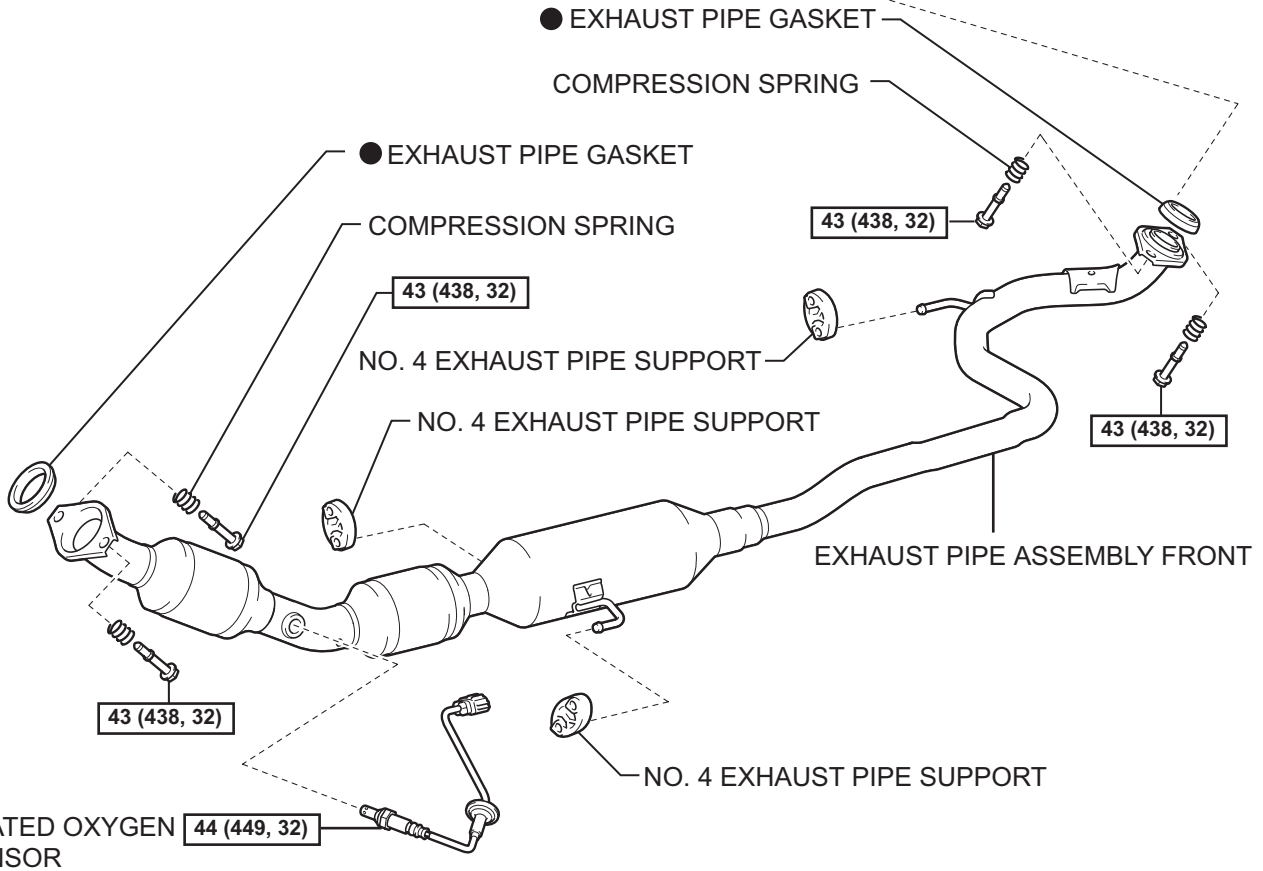
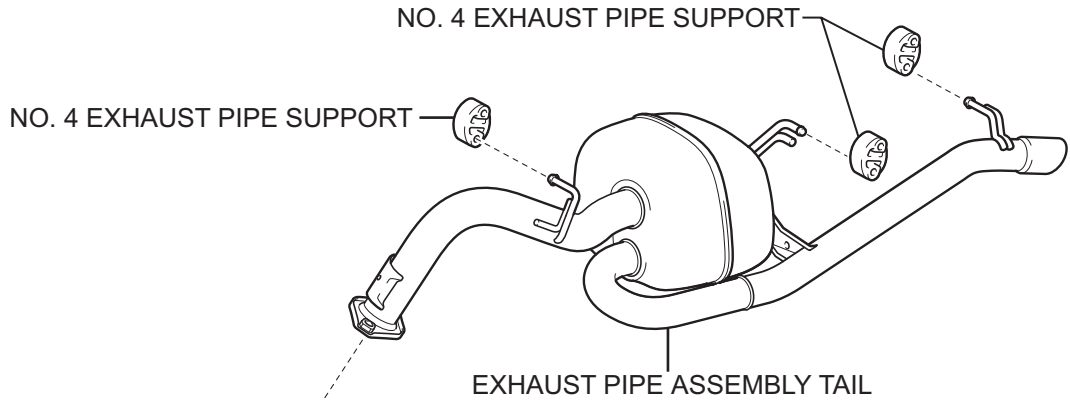
EX

for Hatchback:



N*m (kgf*cm, ft.*lbf) : Specified torque ● Non-reusable part

for Sedan:



N*m (kgf*cm, ft*lbf) : Specified torque ● Non-reusable part

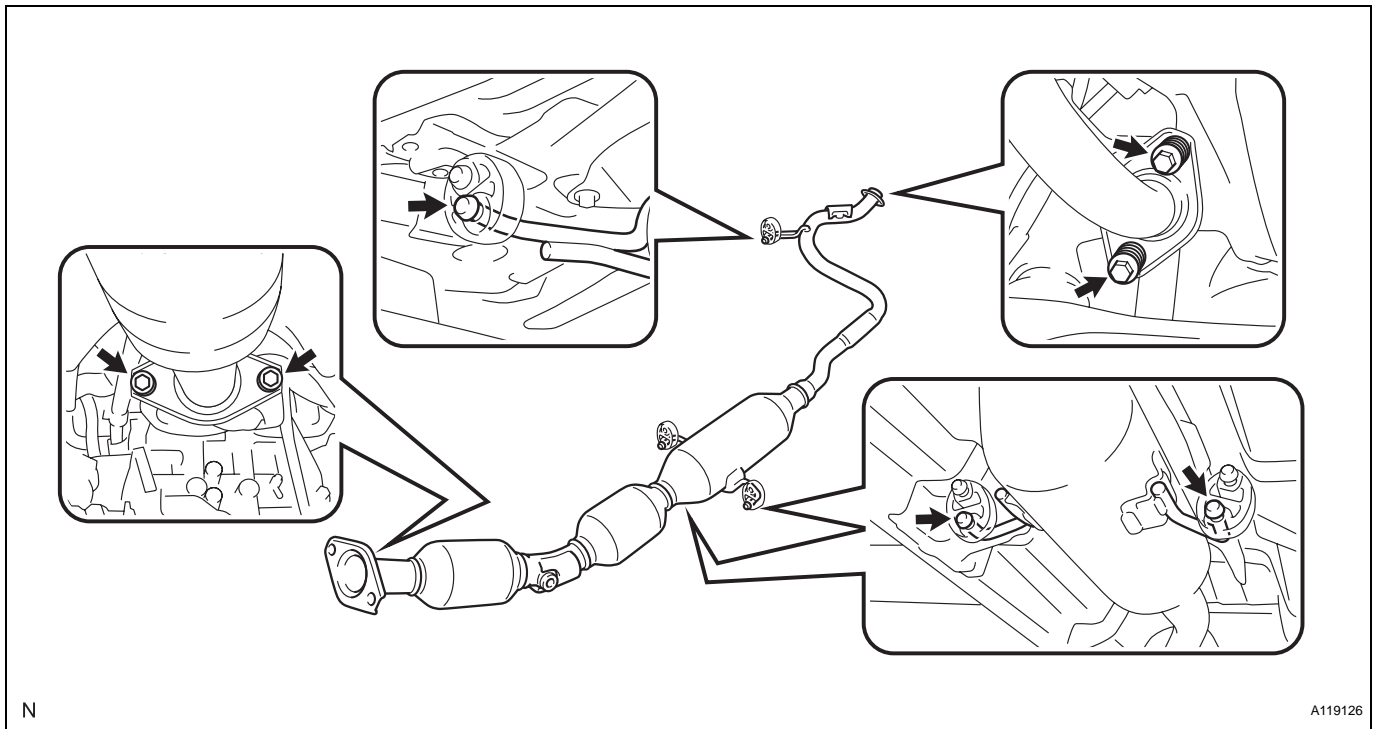
EX

REMOVAL

1. DISCONNECT CABLE FROM NEGATIVE BATTERY TERMINAL
2. REMOVE INSTRUMENT PANEL FINISH PANEL LOWER CENTER (for Sedan) (See page [ME-138](#))
3. REMOVE INSTRUMENT PANEL FINISH PANEL END LH (for Sedan) (See page [ME-138](#))
4. REMOVE SHIFT LEVER KNOB SUB-ASSEMBLY (for Manual Transaxle)
5. REMOVE SHIFTING HOLE COVER SUB-ASSEMBLY (for Hatchback Manual Transaxle) (See page [PB-6](#))
6. REMOVE UPPER CONSOLE PANEL SUB-ASSEMBLY (for Sedan) (See page [IP-84](#))
7. REMOVE CONSOLE BOX REAR COVER (for Hatchback) (See page [PB-6](#))
8. REMOVE CONSOLE UPPER REAR PANEL SUB-ASSEMBLY (for Sedan) (See page [IP-84](#))
9. REMOVE CONSOLE BOX CARPET (See page [PB-7](#))
10. REMOVE REAR CONSOLE BOX ASSEMBLY (See page [PB-8](#))
11. REMOVE INSTRUMENT PAD LOWER LH (for Sedan) (See page [IP-44](#))
12. REMOVE HEATED OXYGEN SENSOR (See page [EC-22](#))
13. REMOVE EXHAUST PIPE ASSEMBLY FRONT
 - (a) Remove the 4 bolts and 4 compression springs.

EX

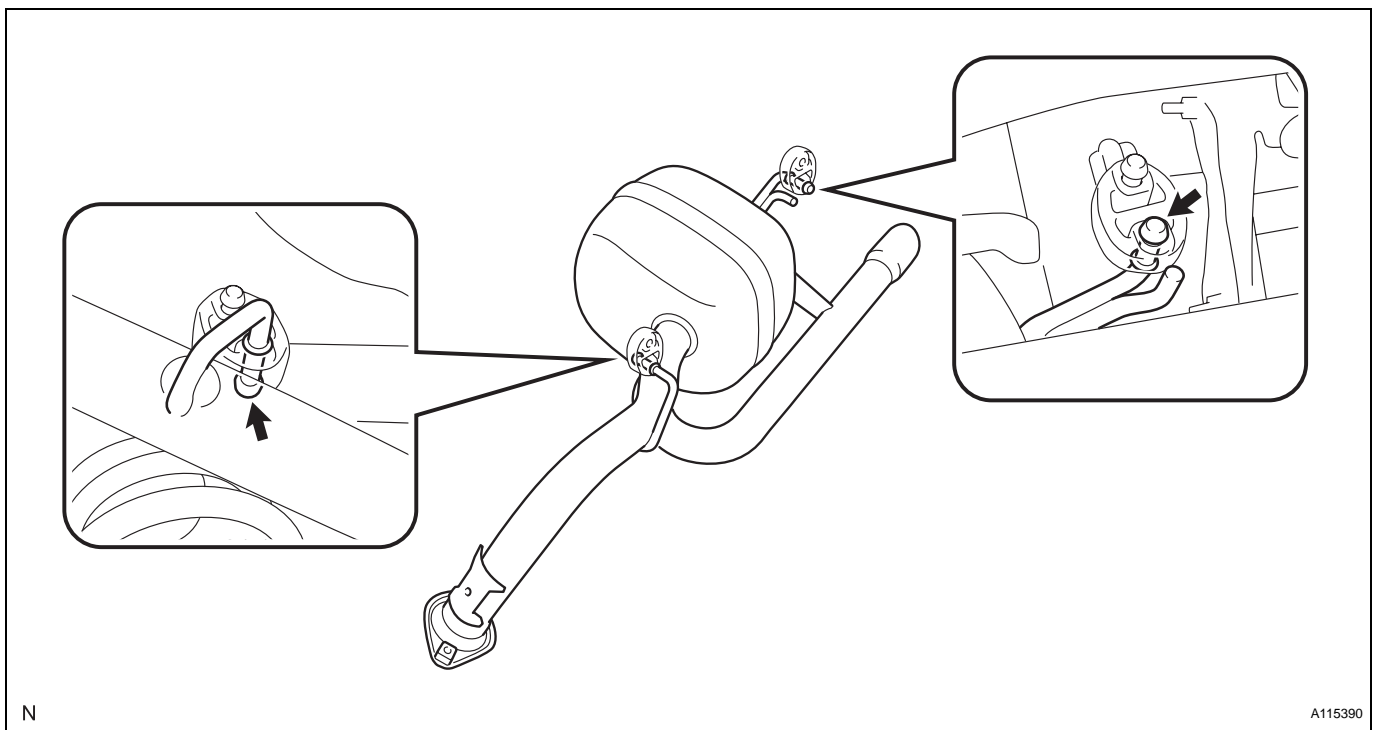
- (b) Remove exhaust pipe support No. 4 and the exhaust front pipe assembly.



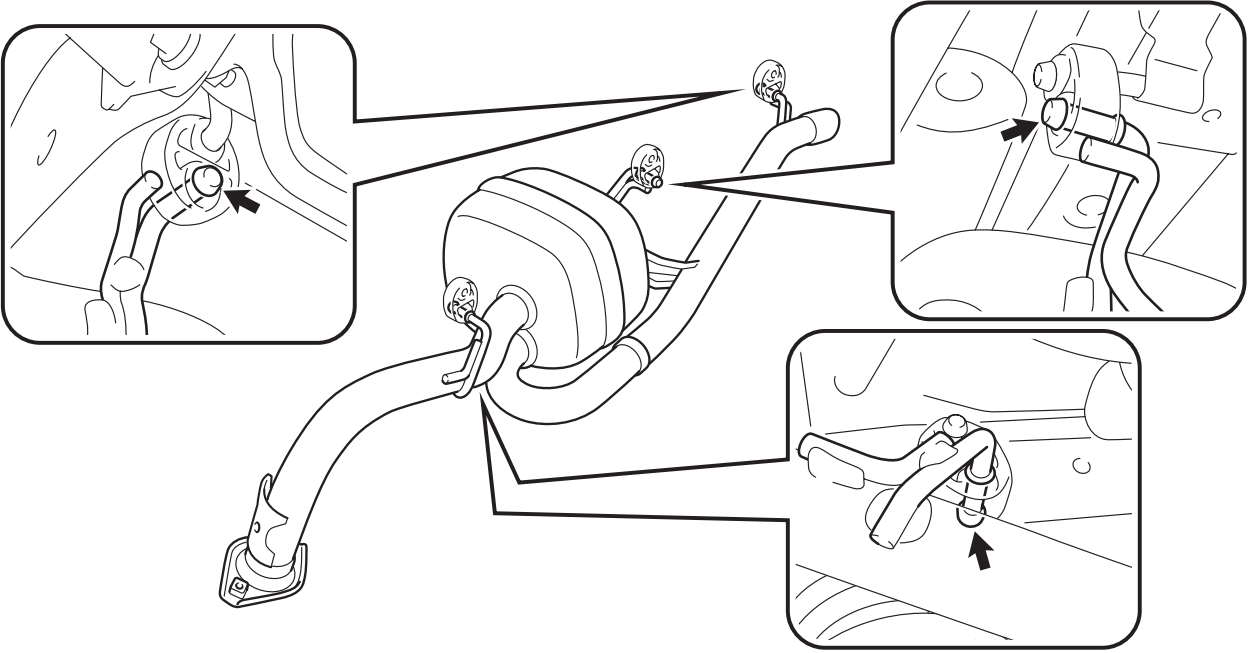
- (c) Remove the 2 exhaust pipe gaskets.

14. REMOVE EXHAUST PIPE ASSEMBLY TAIL

- (a) Remove the 2 No. 4 exhaust pipe supports and the exhaust tail pipe assembly. (for Hatchback)



- (b) Remove the 3 No. 4 exhaust pipe supports and the exhaust tail pipe assembly. (for Sedan)



N

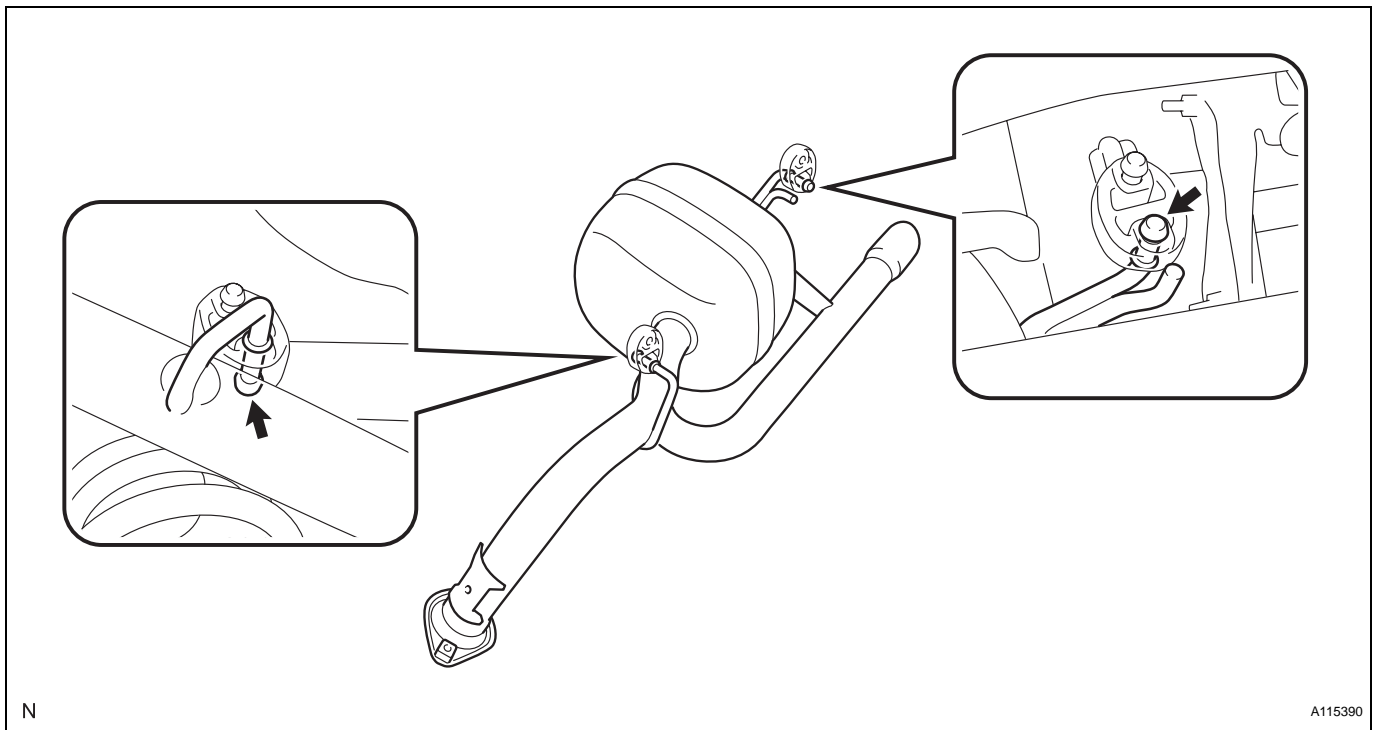
A133340

EX

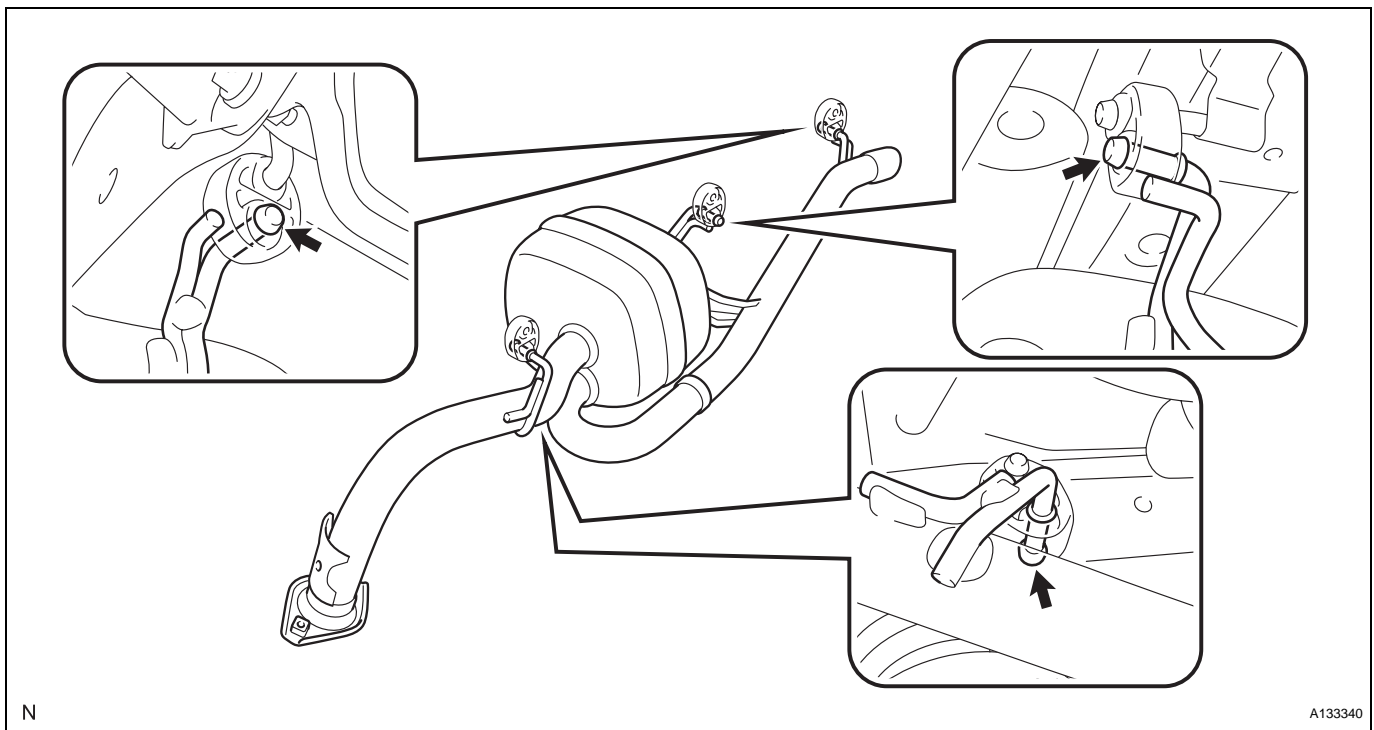
INSTALLATION

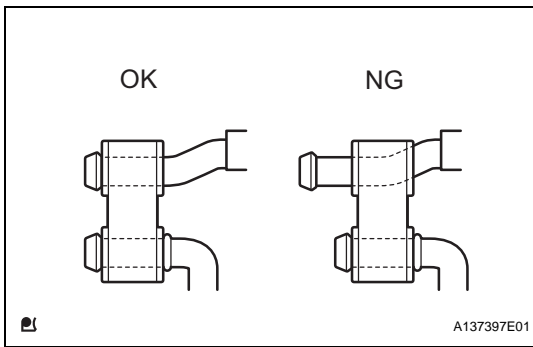
1. INSTALL EXHAUST PIPE ASSEMBLY TAIL

- (a) Install the 2 No. 4 exhaust pipe supports and the exhaust tail pipe assembly. (for Hatchback)



- (b) Install the 3 No. 4 exhaust pipe supports and the exhaust tail pipe assembly. (for Sedan)

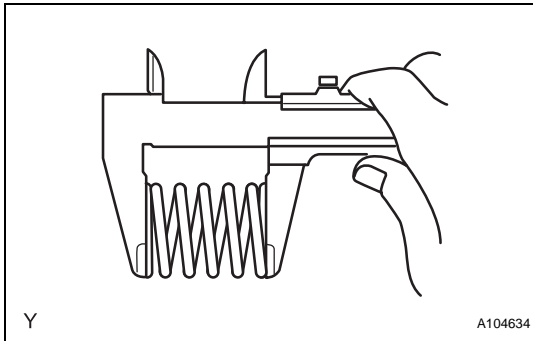




- (c) Check the No. 4 exhaust pipe supports.

NOTICE:

Install No. 4 exhaust pipe support onto the pipe retaining support.

**2. INSTALL EXHAUST PIPE ASSEMBLY FRONT**

- (a) Using vernier calipers, measure the free length of the compression spring.

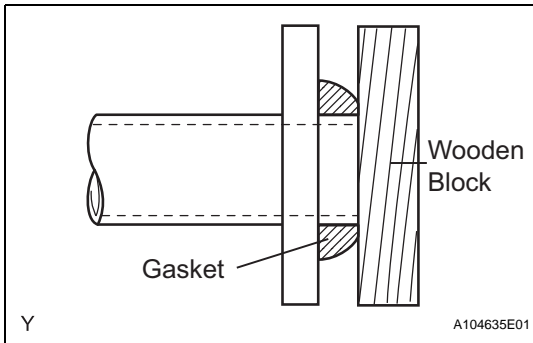
Minimum length (Front Side):

40.5 mm (1.594 in.)

Minimum length (Rear Side):

38.5 mm (1.516 in.)

If the length is not as specified, replace the compression spring.



- (b) Using a plastic hammer and a wooden block, tap in a new exhaust pipe gasket until its surface is flush with the exhaust manifold.

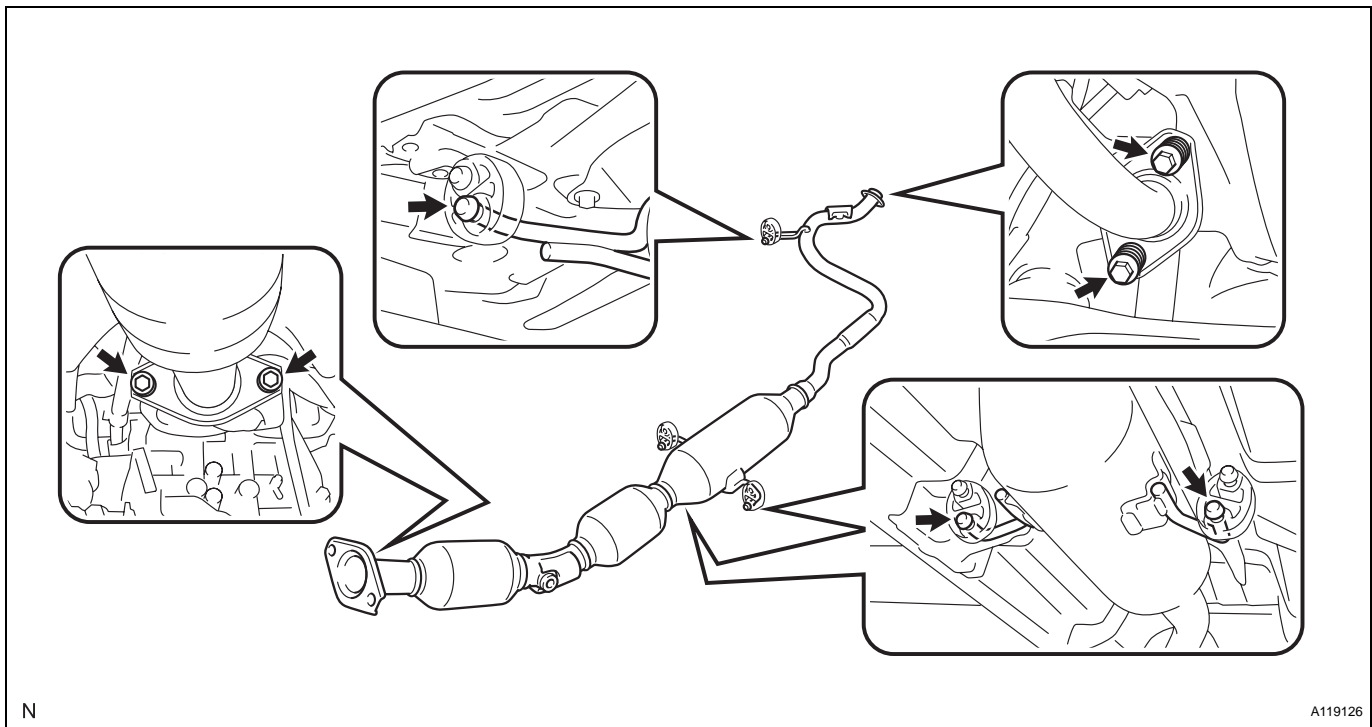
NOTICE:

- **Install the exhaust pipe gasket in the correct direction.**
- **Do not damage the outer surface of the exhaust pipe gasket.**
- **Do not reuse the exhaust pipe gasket.**
- **Do not push in the gasket with the exhaust pipe when connecting it.**

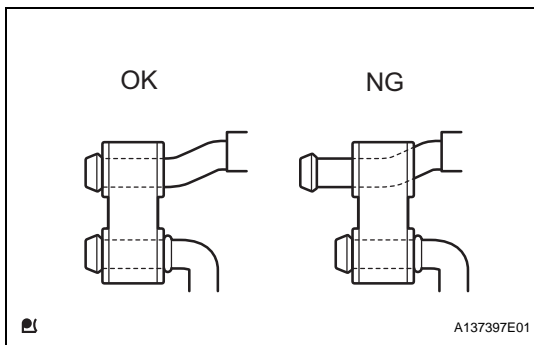
- (c) Install the 3 No. 4 exhaust pipe supports.

- (d) Install the exhaust front pipe assembly and a new exhaust pipe gasket with the 4 compression springs and 4 bolts.

Torque: 43 N*m (439 kgf*cm, 32 ft.*lbf)



EX



(e) Check the No. 4 exhaust pipe supports.

NOTICE:

Install No. 4 exhaust pipe support onto the pipe retaining support.

3. **INSTALL HEATED OXYGEN SENSOR** (See page [EC-23](#))
4. **INSTALL INSTRUMENT PAD LOWER LH** (for Sedan) (See page [IP-55](#))
5. **INSTALL REAR CONSOLE BOX ASSEMBLY** (See page [PB-10](#))
6. **INSTALL CONSOLE BOX CARPET** (See page [PB-11](#))
7. **INSTALL CONSOLE BOX REAR COVER** (for Hatchback) (See page [PB-11](#))
8. **INSTALL CONSOLE UPPER REAR PANEL SUB-ASSEMBLY** (for Sedan) (See page [IP-89](#))
9. **INSTALL SHIFTING HOLE COVER SUB-ASSEMBLY** (for Hatchback Manual Transaxle) (See page [PB-12](#))
10. **INSTALL UPPER CONSOLE PANEL SUB-ASSEMBLY** (for Sedan) (See page [IP-89](#))
11. **INSTALL SHIFT LEVER KNOB SUB-ASSEMBLY** (for Manual Transaxle)
12. **INSTALL INSTRUMENT PANEL FINISH PANEL END LH** (for Sedan) (See page [ME-141](#))
13. **INSTALL INSTRUMENT PANEL FINISH PANEL LOWER CENTER** (for Sedan) (See page [ME-142](#))

-
14. **CONNECT CABLE TO NEGATIVE BATTERY
TERMINAL**
Torque: 5.4 N*m (55 kgf*cm, 48 in.*lbf)
 15. **CHECK FOR EXHAUST GAS LEAKAGE**