

FOREWORD

This wiring diagram manual has been prepared to provide information on the electrical system of the 2007 YARIS.

Applicable models: NCP91, 93 Series

Refer to the following manuals for additional service specifications and repair procedures for these models:

Manual Name	Pub. No.
● 2007 YARIS Repair Manual	RM01V0U
● 2007 YARIS New Car Features	NM01V0U

All information in this manual is based on the latest product information at the time of publication. However, specifications and procedures are subject to change without notice.

TOYOTA MOTOR CORPORATION

NOTICE

Always follow the directions given in the above repair manuals when handling supplemental restraint system components (such as removal, installation, inspection, etc.) in order to prevent accidents and supplemental restraint system malfunction.

©2006 TOYOTA MOTOR CORPORATION

All rights reserved. This book may not be reproduced or copied, in whole or in part, without the written permission of Toyota Motor Corporation.

First Printing : Feb. 03, 2006 01-060203-00

2007 YARIS ELECTRICAL WIRING DIAGRAM

	Section Code	Page
INTRODUCTION	A	2
HOW TO USE THIS MANUAL	B	3
TROUBLESHOOTING	C	12
ABBREVIATIONS	D	17
GLOSSARY OF TERMS AND SYMBOLS	E	18
RELAY LOCATIONS	F	20
ELECTRICAL WIRING ROUTING	G	46
SYSTEM CIRCUITS	H	67
GROUND POINT	I	244
POWER SOURCE (Current Flow Chart)	J	252
CONNECTOR LIST	K	258
PART NUMBER OF CONNECTORS	L	276
OVERALL ELECTRICAL WIRING DIAGRAM .	M	280

A INTRODUCTION

This manual consists of the following 13 sections:

No.	Section	Description
A	INDEX	Index of the contents of this manual.
	INTRODUCTION	Brief explanation of each section.
B	HOW TO USE THIS MANUAL	Instructions on how to use this manual.
C	TROUBLE-SHOOTING	Describes the basic inspection procedures for electrical circuits.
D	ABBREVIATIONS	Defines the abbreviations used in this manual.
E	GLOSSARY OF TERMS AND SYMBOLS	Defines the symbols and functions of major parts.
F	RELAY LOCATIONS	Shows position of the Electronic Control Unit, Relays, Relay Block, etc. This section is closely related to the system circuit.
G	ELECTRICAL WIRING ROUTING	Describes position of Parts Connectors, Splice points, Ground points, etc. This section is closely related to the system circuit.
H	INDEX	Index of the system circuits.
	SYSTEM CIRCUITS	Electrical circuits of each system are shown from the power supply through ground points. Wiring connections and their positions are shown and classified by code according to the connection method. (Refer to the section, "How to use this manual"). The "System Outline" and "Service Hints" useful for troubleshooting are also contained in this section.
I	GROUND POINT	Shows ground positions of all parts described in this manual.
J	POWER SOURCE (Current Flow Chart)	Describes power distribution from the power supply to various electrical loads.
K	CONNECTOR LIST	Describes the form of the connectors for the parts appeared in this book. This section is closely related to the system circuit.
L	PART NUMBER OF CONNECTORS	Indicates the part number of the connectors used in this manual.
M	OVERALL ELECTRICAL WIRING DIAGRAM	Provides circuit diagrams showing the circuit connections.

This manual provides information on the electrical circuits installed on vehicles by dividing them into a circuit for each system.

The actual wiring of each system circuit is shown from the point where the power source is received from the battery as far as each ground point. (All circuit diagrams are shown with the switches in the OFF position.)

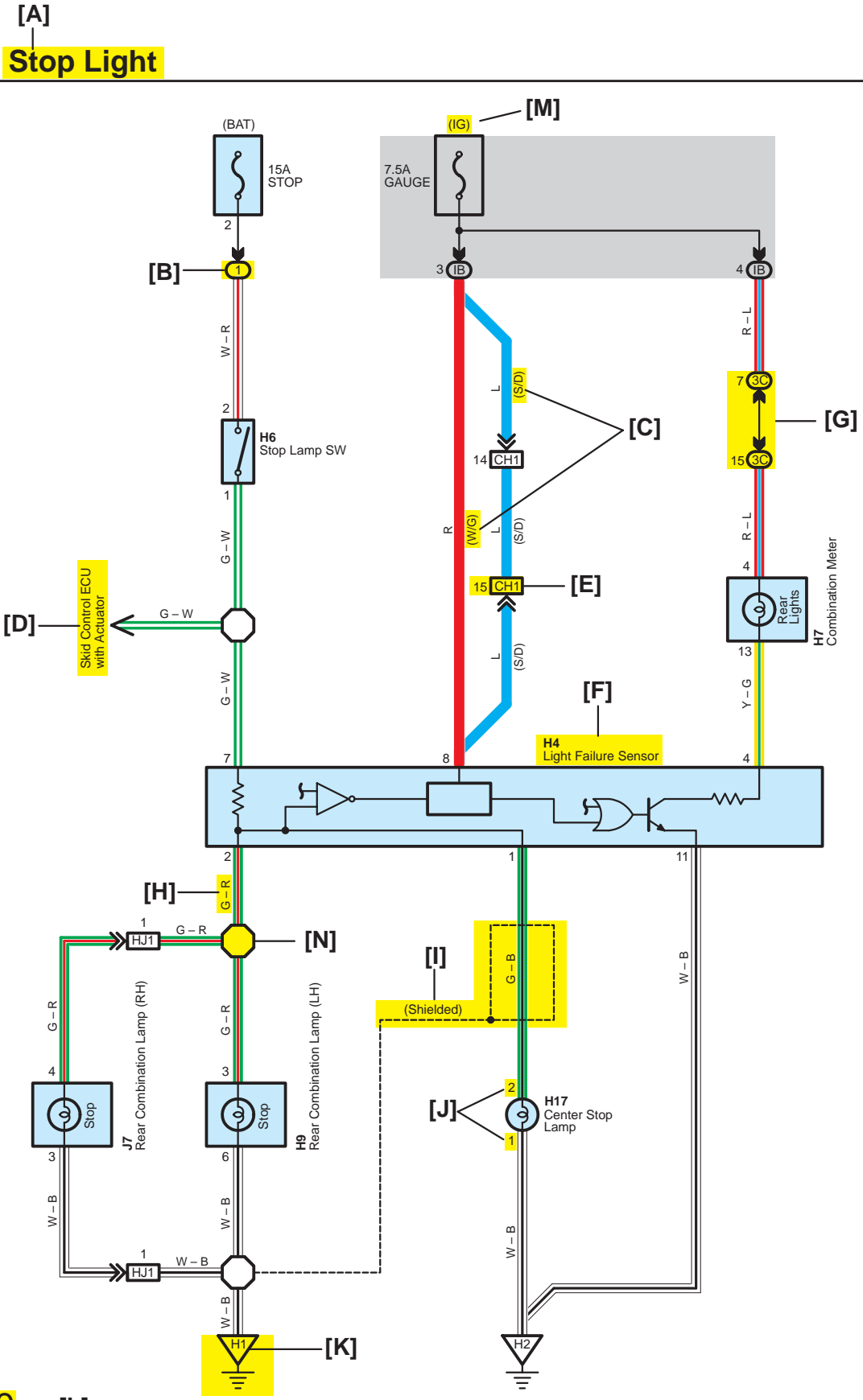
When troubleshooting any problem, first understand the operation of the circuit where the problem was detected (see System Circuit section), the power source supplying power to that circuit (see Power Source section), and the ground points (see Ground Point section). See the System Outline to understand the circuit operation.

When the circuit operation is understood, begin troubleshooting of the problem circuit to isolate the cause. Use Relay Location and Electrical Wiring Routing sections to find each part, junction block and wiring harness connectors, wiring harness and wiring harness connectors and ground points of each system circuit. Internal wiring for each junction block is also provided for better understanding of connection within a junction block.

Wiring related to each system is indicated in each system circuit by arrows (from__, to__). When overall connections are required, see the Overall Electrical Wiring Diagram at the end of this manual.

B HOW TO USE THIS MANUAL

* The system shown here is an EXAMPLE ONLY. It is different to the actual circuit shown in the SYSTEM CIRCUITS SECTION.



[A] : System Title

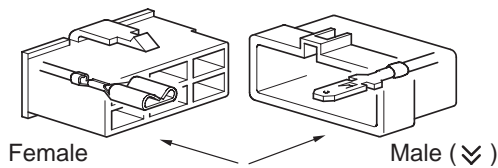
[B] : Indicates a Relay Block. No shading is used and only the Relay Block No. is shown to distinguish it from the J/B

Example: ① Indicates Relay Block No.1

[C] : () is used to indicate different wiring and connector, etc. when the vehicle model, engine type, or specification is different.

[D] : Indicates related system.

[E] : Indicates the code for the (male and female) connectors which are used to join two wire harnesses. The connector code consists of two alphabetical and one numerical characters.



The first character of the connector code indicates the alphabetical code allocated to the wire harness which has the female connector, and the second shows that of the wire harness which has the male connector.

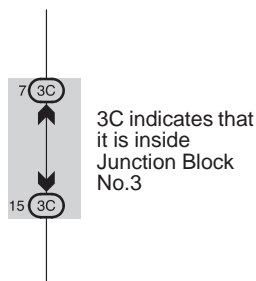
The third character indicates a serial number used to distinguish between the wire harness combinations in cases when more than one of the same combination of wire harnesses exist (e.g. CH1 and CH2).

Symbol (∨) indicates the male terminal connector. Numbers outside connector codes indicate the pin numbers of both male and female connectors.

[F] : Represents a part (all parts are shown in sky blue). The code is the same as the code used in parts position.

[G] : Junction Block (The number in the circle is the J/B No. and the connector code is shown beside it). Junction Blocks are shaded to clearly separate them from other parts.

Example:



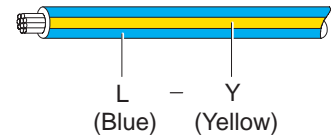
[H] : Indicates the wiring color.

Wire colors are indicated by an alphabetical code.

- B = Black W = White BR = Brown
- L = Blue V = Violet SB = Sky Blue
- R = Red G = Green LG = Light Green
- P = Pink Y = Yellow GR = Gray
- O = Orange

The first letter indicates the basic wire color and the second letter indicates the color of the stripe.

Example: L - Y



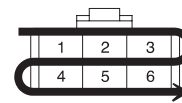
[I] : Indicates a shielded cable.



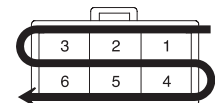
[J] : Indicates the pin number of the connector. The numbering system is different for female and male connectors.

Example: Numbered in other from upper left to lower right

Numbered in other from upper right to lower left



Female



Male

[K] : Indicates the ground point. The code consists of the two characters: A letter and number.

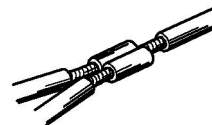
The first character of the code indicates the alphabetical code allocated to the wire harness. The second character indicates a serial number used to distinguish between the ground points in cases when more than one ground point exist on the same wire harness.

[L] : Page No.

[M] : Indicates the ignition key position(s) when the power is supplied to the fuse(s).

[N] : Indicates a wiring Splice Point.

Example:



B HOW TO USE THIS MANUAL

[O] System Outline

Current is applied at all times through the STOP fuse to TERMINAL 2 of the stop lamp SW.
When the ignition SW is turned on, current flows from the GAUGE fuse to TERMINAL 8 of the light failure sensor, and also flows through the rear lights warning light to TERMINAL 4 of the light failure sensor.

Stop Light Disconnection Warning

When the ignition SW is turned on and the brake pedal is pressed (Stop lamp SW on), if the stop light circuit is open, the current flowing from TERMINAL 7 of the light failure sensor to TERMINALS 1, 2 changes, so the light failure sensor detects the disconnection and the warning circuit of the light failure sensor is activated.

As a result, the current flows from TERMINAL 4 of the light failure sensor to TERMINAL 11 to GROUND and turns the rear lights warning light on. By pressing the brake pedal, the current flowing to TERMINAL 8 of the light failure sensor keeps the warning circuit on and holds the warning light on until the ignition SW is turned off.

[P] : Parts Location

Code	See Page	Code	See Page	Code	See Page
H4	36	H7	36	H17	38
H6	36	H9	38	J7	38

[Q] : Relay Blocks

Code	See Page	Relay Blocks (Relay Block Location)
1	18	R/B No.1 (Instrument Panel Brace LH)

[R] : Junction Block and Wire Harness Connector

Code	See Page	Junction Block and Wire Harness (Connector Location)
3C	22	Instrument Panel Wire and J/B No.3 (Instrument Panel Brace LH)
IB	20	Instrument Panel Wire and Instrument Panel J/B (Lower Finish Panel)

[S] : Connector Joining Wire Harness and Wire Harness

Code	See Page	Joining Wire Harness and Wire Harness (Connector Location)
CH1	42	Engine Room Main Wire and Instrument Panel Wire (Left Kick Panel)
HJ1	50	Instrument Panel Wire and Floor Wire (Right Kick Panel)

[T] : Ground Points

Code	See Page	Ground Points Location
H1	50	Under the Left Center Pillar
H2	50	Back Panel Center

[O] : Explains the system outline.

[P] : Indicates reference pages showing the parts locations in the system circuit on the vehicle.

Example : Code "H4" (Light Failure Sensor) is on page 36 of the manual.

* The first character of the code indicates the alphabetical code allocated to the wire harness, and the second character indicates the serial number of the parts connected to the wire harness.

Example : H 4
 └──┬── Serial number for the connected parts
 └── Code for the wire harness

[Q] : Indicates the reference page showing the position on the vehicle of Relay Block Connectors in the system circuit.

Example : Connector "1" is described on page 18 of this manual and is installed on the left side of the instrument panel.

[R] : Indicates the reference page showing the position on the vehicle of J/B and Wire Harness in the system circuit.

Example : Connector "3C" connects the Instrument Panel Wire and J/B No.3. It is described on page 22 of this manual, and is installed on the instrument panel left side.

[S] : Indicates the reference page describing the wiring harness and wiring harness connector (the female wiring harness is shown first, followed by the male wiring harness).

Example : Connector "CH1" connects the Engine Room Main Wire (female) and Instrument Panel Wire (male). It is described on page 42 of this manual, and is installed on the left side kick panel.

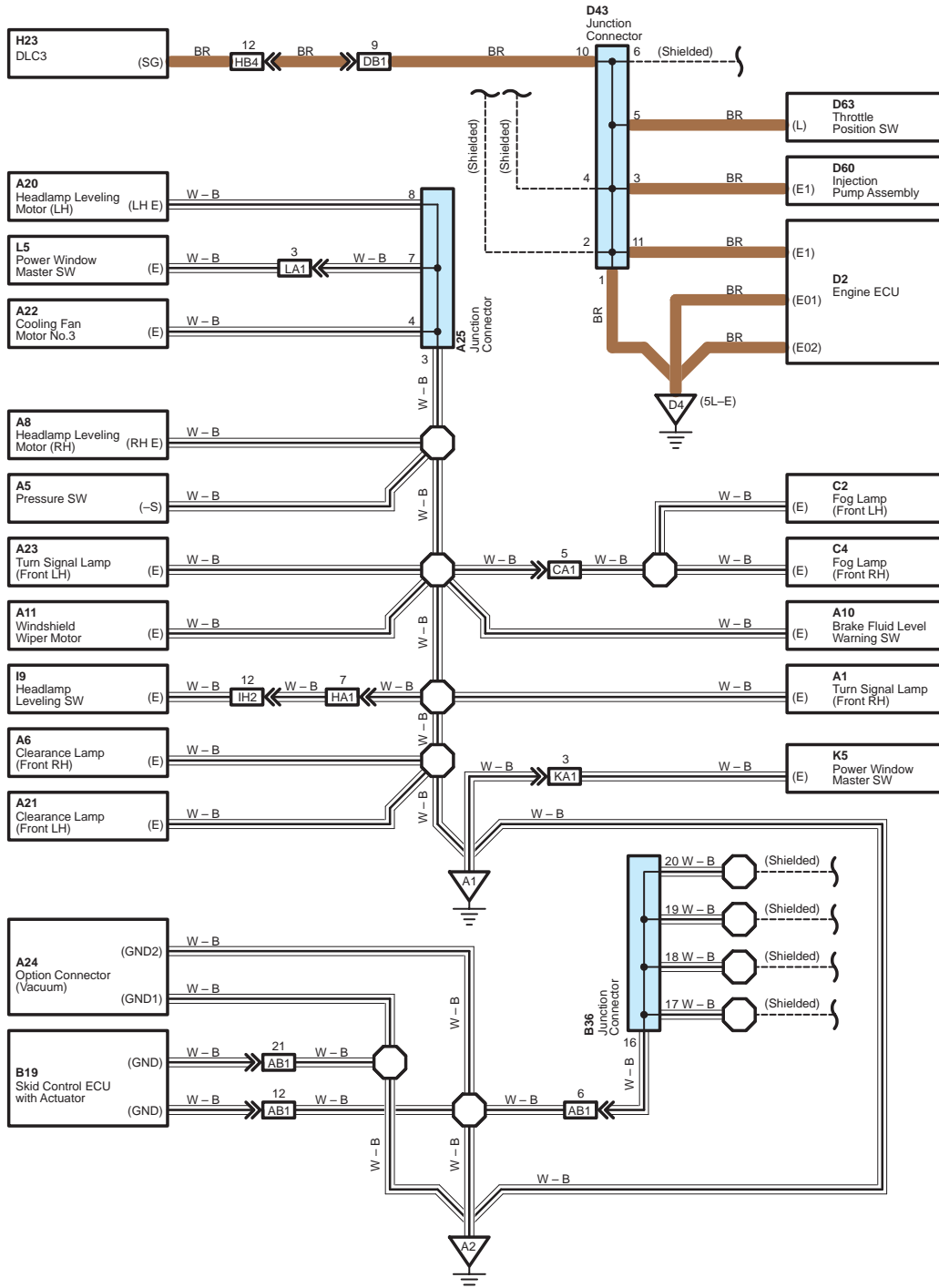
[T] : Indicates the reference page showing the position of the ground points on the vehicle.

Example : Ground point "H2" is described on page 50 of this manual and is installed on the back panel center.

B HOW TO USE THIS MANUAL

The ground points circuit diagram shows the connections from all major parts to the respective ground points. When troubleshooting a faulty ground point, checking the system circuits which use a common ground may help you identify the problem ground quickly. The relationship between ground points ($\nabla A1$, $\nabla A2$ and $\nabla D4$ shown below) can also be checked this way.

I GROUND POINT

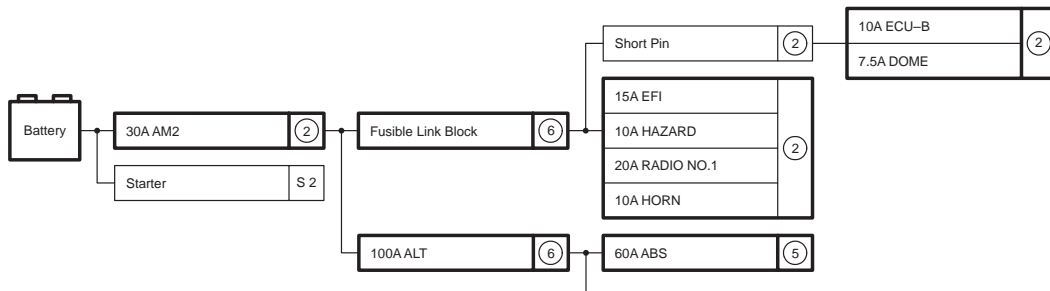


* The system shown here is an EXAMPLE ONLY. It is different to the actual circuit shown in the SYSTEM CIRCUITS SECTION.

The "Current Flow Chart" section, describes which parts each power source (fuses, fusible links, and circuit breakers) transmits current to. In the Power Source circuit diagram, the conditions when battery power is supplied to each system are explained. Since all System Circuit diagrams start from the power source, the power source system must be fully understood.

J POWER SOURCE (Current Flow Chart)

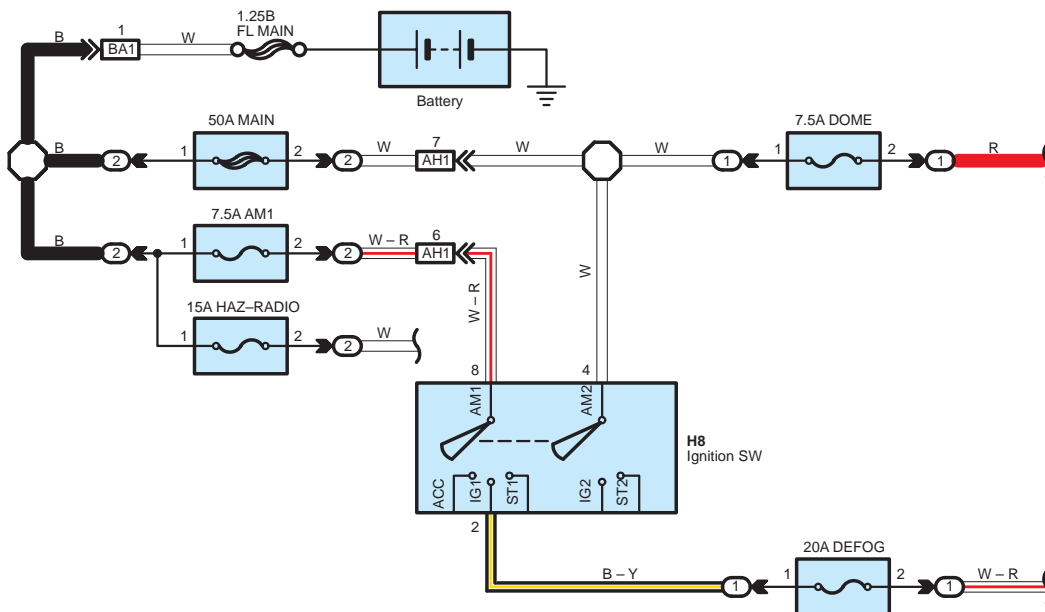
The chart below shows the route by which current flows from the battery to each electrical source (Fusible Link, Circuit Breaker, Fuses, etc.) and other parts



Engine Room R/B (See Page 20)

Fuse	System	Page
20A STOP	ABS	194
	ABS and Traction Control	187
	Cruise Control	180
	Electronically Controlled Transmission	166
	Multiplex Communication System	210
10A DOME	Cigarette Lighter	214
	Combination Meter	230
	Headlight	112
	Interior Light	122
	Key Reminder and Seat Belt Warning	
	Light Auto Turn Off System	

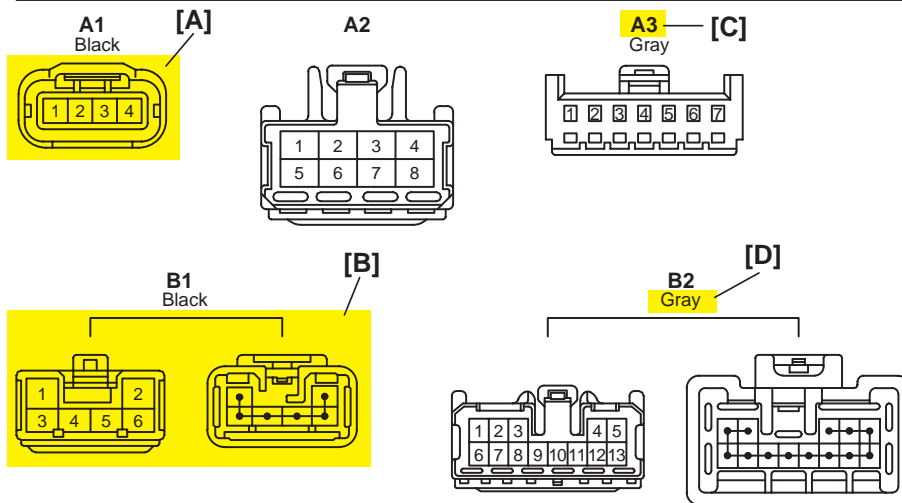
Power Source



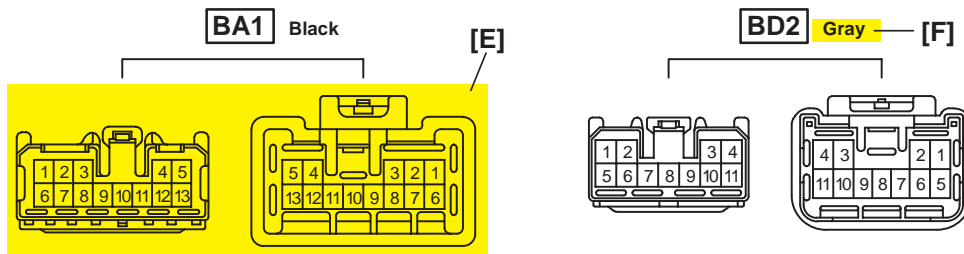
* The system shown here is an EXAMPLE ONLY. It is different to the actual circuit shown in the SYSTEM CIRCUITS SECTION.

B HOW TO USE THIS MANUAL

K CONNECTOR LIST

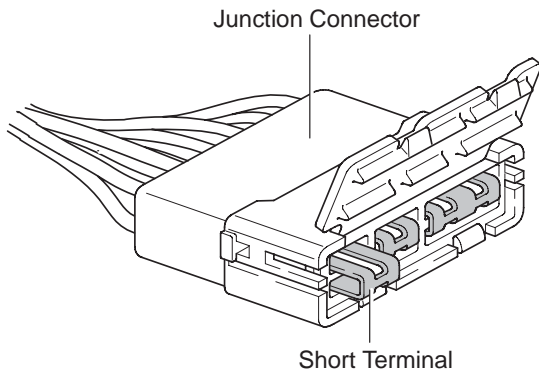


K CONNECTOR LIST



[A] : Indicates connector to be connected to a part. (The numeral indicates the pin No.)

[B] : Junction Connector
Indicates a connector which is connected to a short terminal.



Junction connector in this manual include a short terminal which is connected to a number of wire harnesses. Always perform inspection with the short terminal installed.

[C] : Parts Code
The first letter of the code is taken from the first letter of part, and the numbers indicates its order in parts which start with the same letter.

[D] : Connector Color
Connectors not indicated are milky white in color.

[E] : Indicates the connector shapes which are used to join wire harnesses.
On Left : Female connector shapes
On Right : Male connector shapes
Numbers indicate pin numbers.

[F] : Indicates connector colors. (Connectors with not indicated colors are white)

L PART NUMBER OF CONNECTORS

Code	Part Name	Part Number	Code	Part Name	Part Number
A1	Turn Signal Lamp (Front RH)	90980-11019	B22	Door Courtesy SW (Front LH)	90980-12470
A2	Inlet Air Temp. Sensor	90980-11163	B23	Front Seat Outer Belt (LH)	90980-12253
A3	Air Flow Meter	90980-12292	B24	Blower SW (Rear Heater)	90980-10463
A4	A/C Pressure Sensor	90980-10845	B25	Front Seat Outer Belt (RH)	90980-12253
A5	Pressure SW	90980-10943	B26	Door Courtesy SW (Front RH)	90980-12470
A6	Clearance Lamp (Front RH)	90980-11156	B27	Cooling Fan ECU No.1	90980-10841
[A]	Headla [B] (LH)	909 [C] 314	B28	Cooling Fan ECU No.2	
A8	Headlamp Leveling Motor (RH)	90980-11016	B29	Water Temp. Sensor (Radiator)	90980-10735
A9	Brake Vacuum Warning SW	90980-11252	B30	Fuel Filter Warning SW	90980-11003
A10	Brake Fluid Level Warning SW	90980-11207	B32	Door Control Relay (LH)	90980-10789
A11	Windshield Washer Motor	90980-11599	B33	Step Lamp (LH)	90980-10121
A12	Airbag Sensor (Front RH)	90980-11856	B34	Junction Connector	
A13	Airbag Sensor (Front LH)	90980-12490	B35	Junction Connector	90980-11398

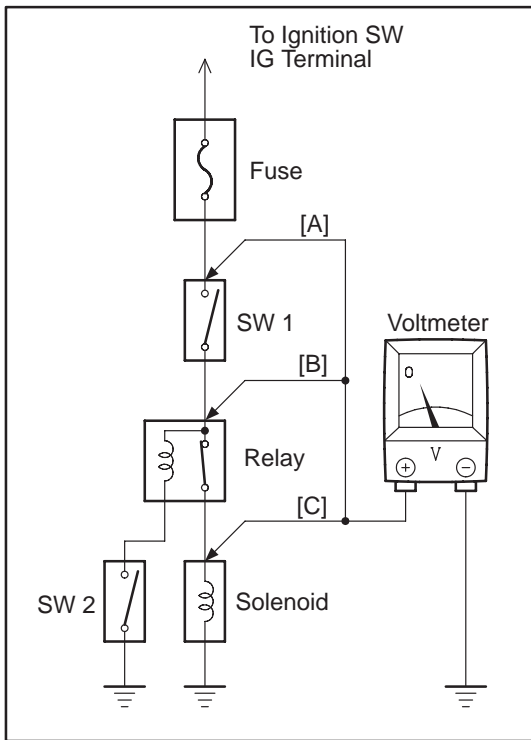
[A] : Part Code

[B] : Part Name

[C] : Part Number
Toyota Part Number are indicated.

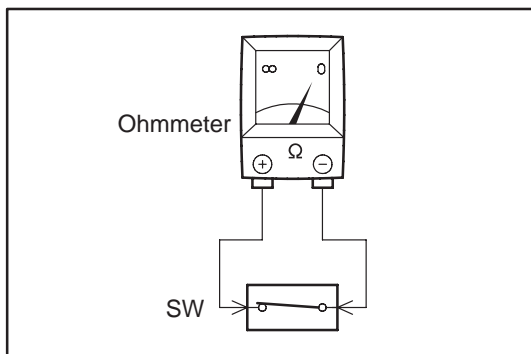
Not all of the above part numbers of the connector are established for the supply.

C TROUBLESHOOTING



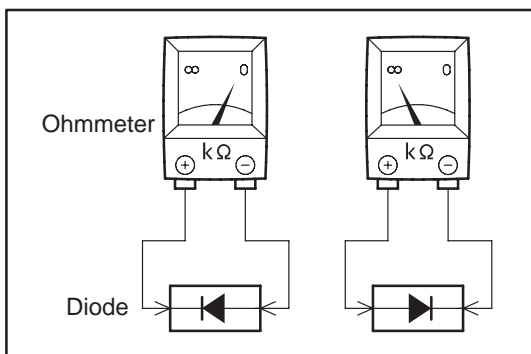
VOLTAGE CHECK

- (a) Establish conditions in which voltage is present at the check point.
Example:
[A] – Ignition SW on
[B] – Ignition SW and SW 1 on
[C] – Ignition SW, SW 1 and Relay on (SW 2 off)
- (b) Using a voltmeter, connect the negative lead to a good ground point or negative battery terminal, and the positive lead to the connector or component terminal.
This check can be done with a test light instead of a voltmeter.

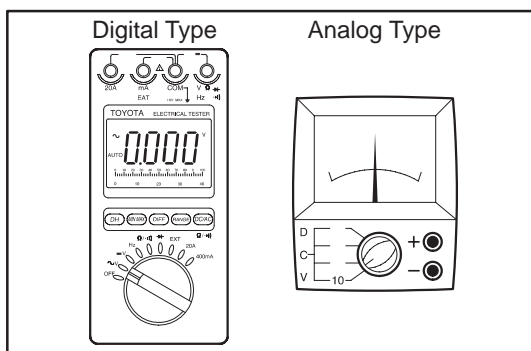


CONTINUITY AND RESISTANCE CHECK

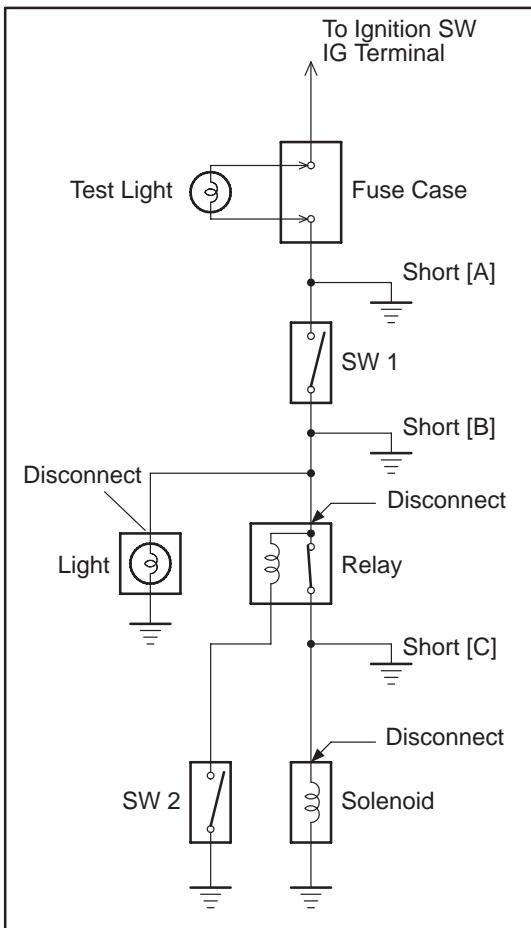
- (a) Disconnect the battery terminal or wire so there is no voltage between the check points.
- (b) Contact the two leads of an ohmmeter to each of the check points.



If the circuit has diodes, reverse the two leads and check again.
When contacting the negative lead to the diode positive side and the positive lead to the negative side, there should be continuity.
When contacting the two leads in reverse, there should be no continuity.



- (c) Use a volt/ohmmeter with high impedance (10 kΩ/V minimum) for troubleshooting of the electrical circuit.



FINDING A SHORT CIRCUIT

- Remove the blown fuse and disconnect all loads of the fuse.
- Connect a test light in place of the fuse.
- Establish conditions in which the test light comes on.

Example:

- [A] – Ignition SW on
- [B] – Ignition SW and SW 1 on
- [C] – Ignition SW, SW 1 and Relay on (Connect the Relay) and SW 2 off (or Disconnect SW 2)

- Disconnect and reconnect the connectors while watching the test light. The short lies between the connector where the test light stays lit and the connector where the light goes out.
- Find the exact location of the short by lightly shaking the problem wire along the body.

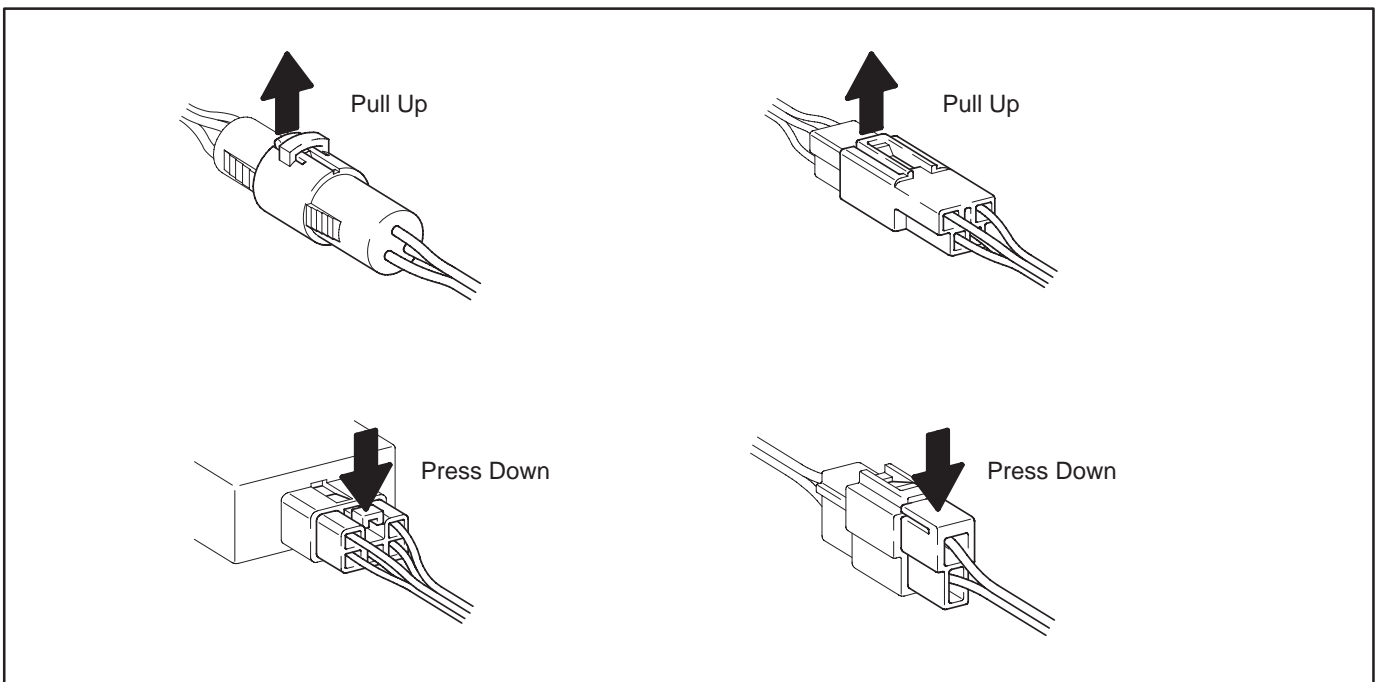
CAUTION:

- Do not open the cover or the case of the ECU unless absolutely necessary. (If the IC terminals are touched, the IC may be destroyed by static electricity.)
- When replacing the internal mechanism (ECU part) of the digital meter, be careful that no part of your body or clothing comes in contact with the terminals of leads from the IC, etc. of the replacement part (spare part).

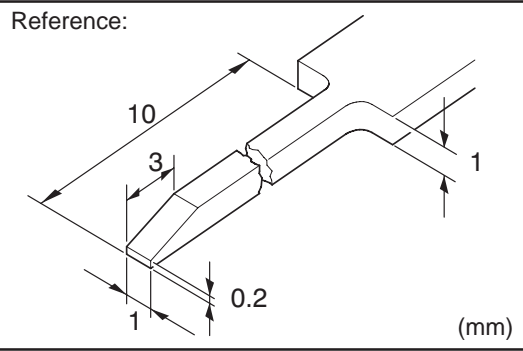
DISCONNECTION OF MALE AND FEMALE CONNECTORS

To pull apart the connectors, pull on the connector itself, not the wire harness.

HINT: Check to see what kind of connector you are disconnecting before pulling apart.



C TROUBLESHOOTING



HOW TO REPLACE TERMINAL (with terminal retainer or secondary locking device)

1. PREPARE THE SPECIAL TOOL

HINT : To remove the terminal from the connector, please construct and use the special tool or like object shown on the left.

2. DISCONNECT CONNECTOR

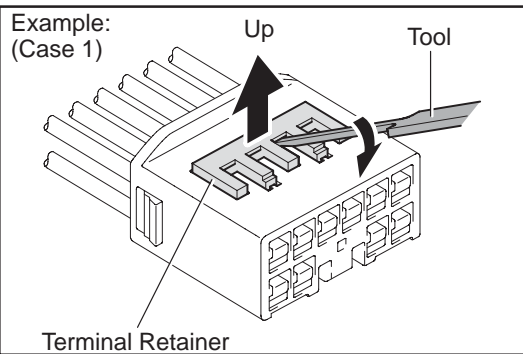
3. DISENGAGE THE SECONDARY LOCKING DEVICE OR TERMINAL RETAINER.

(a) Locking device must be disengaged before the terminal locking clip can be released and the terminal removed from the connector.

(b) Use a special tool or the terminal pick to unlock the secondary locking device or terminal retainer.

NOTICE:

Do not remove the terminal retainer from connector body.

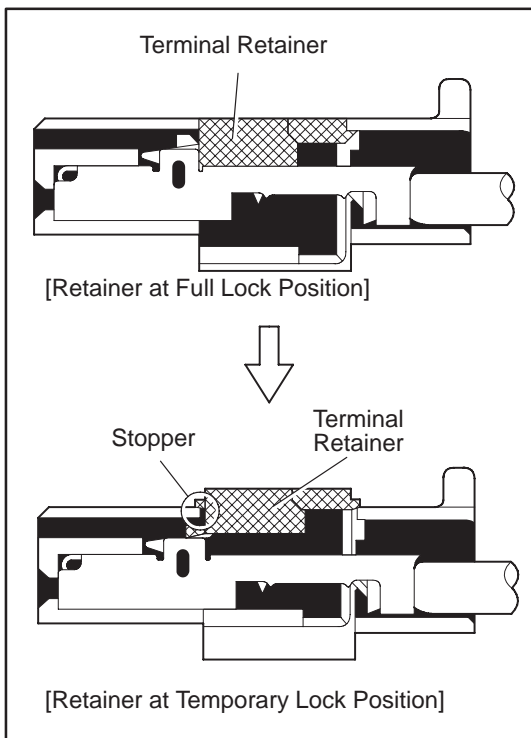


[A] For Non-Waterproof Type Connector

HINT : The needle insertion position varies according to the connector's shape (number of terminals etc.), so check the position before inserting it.

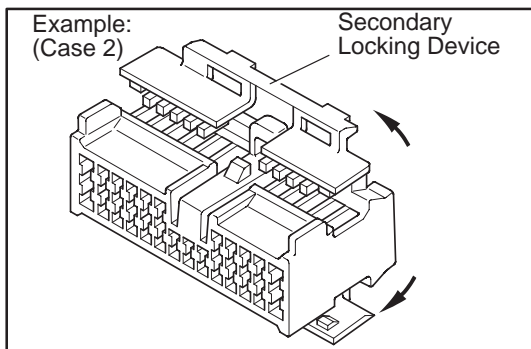
"Case 1"

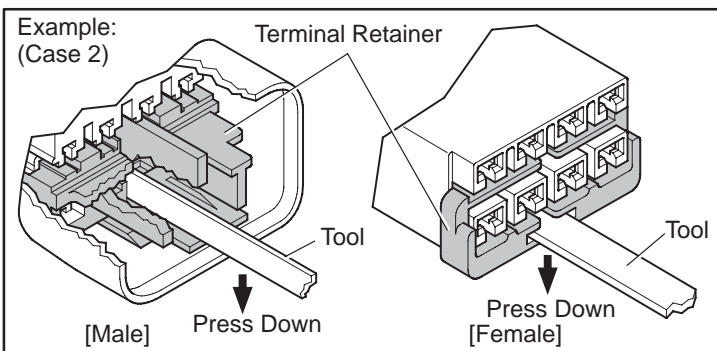
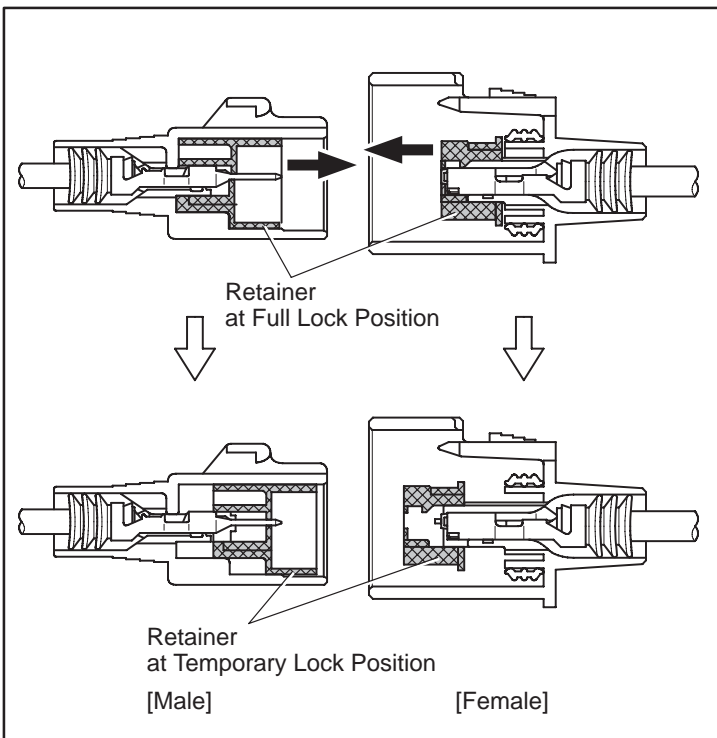
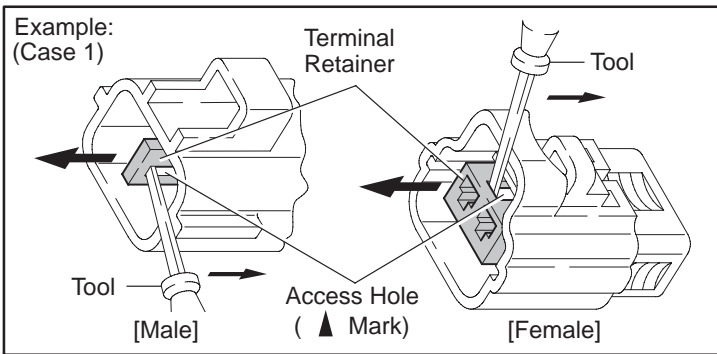
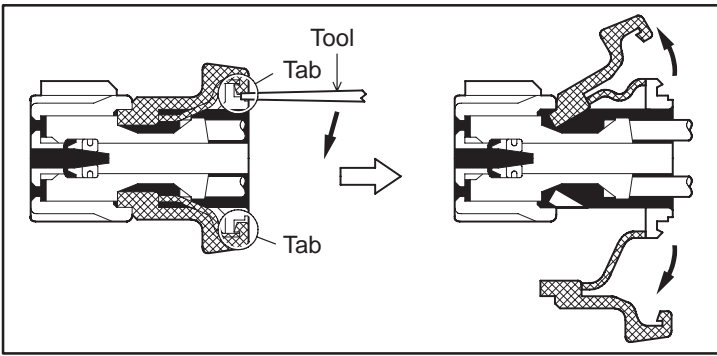
Raise the terminal retainer up to the temporary lock position.



"Case 2"

Open the secondary locking device.





[B] For Waterproof Type Connector

HINT : Terminal retainer color is different according to connector body.

Example:

Terminal Retainer : Connector Body

Black or White : Gray

Black or White : Dark Gray

Gray or White : Black

"Case 1"

Type where terminal retainer is pulled up to the temporary lock position (Pull Type).

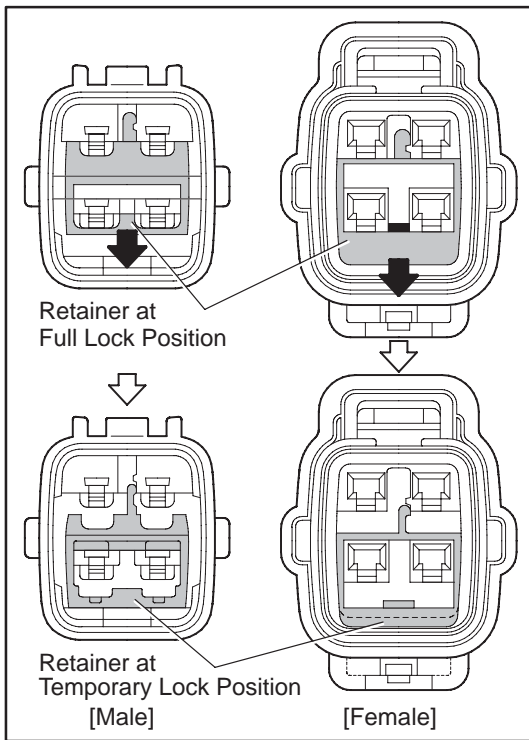
Insert the special tool into the terminal retainer access hole (▲Mark) and pull the terminal retainer up to the temporary lock position.

HINT : The needle insertion position varies according to the connector's shape (Number of terminals etc.), so check the position before inserting it.

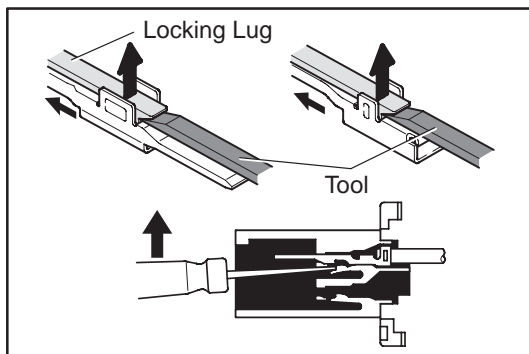
"Case 2"

Type which cannot be pulled as far as Power Lock insert the tool straight into the access hole of terminal retainer as shown.

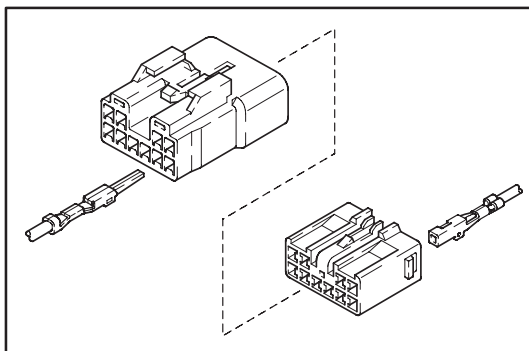
C TROUBLESHOOTING



Push the terminal retainer down to the temporary lock position.



(c) Release the locking lug from terminal and pull the terminal out from rear.

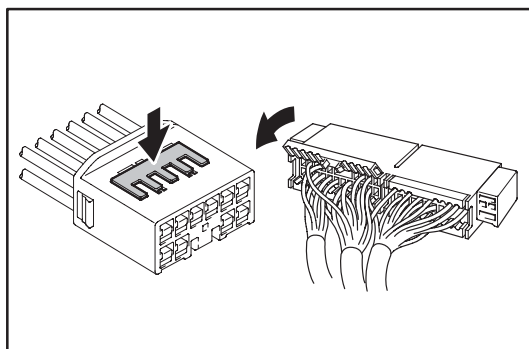


4. INSTALL TERMINAL TO CONNECTOR

(a) Insert the terminal.

HINT:

1. Make sure the terminal is positioned correctly.
2. Insert the terminal until the locking lug locks firmly.
3. Insert the terminal with terminal retainer in the temporary lock position.



(b) Push the secondary locking device or terminal retainer in to the full lock position.

5. CONNECT CONNECTOR

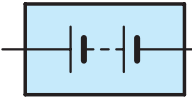

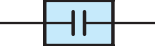
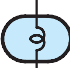


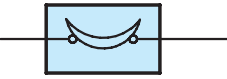


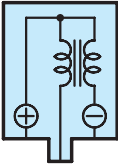




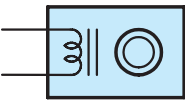

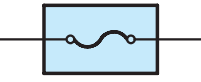


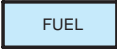

ABBREVIATIONS

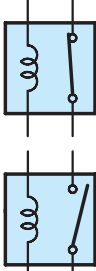

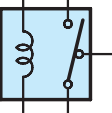
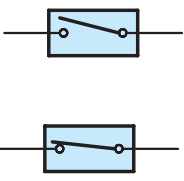
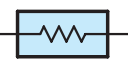
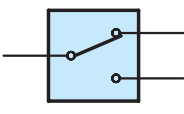
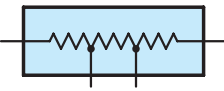
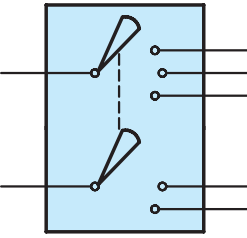
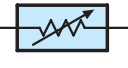
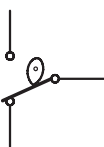

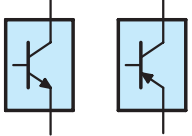

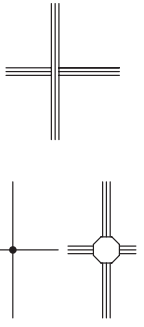
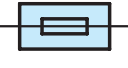
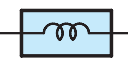
The following abbreviations are used in this manual.

A/C	=	Air Conditioning
A/T	=	Automatic Transaxle
ABS	=	Anti-Lock Brake System
CAN	=	Controller Area Network
CPU	=	Central Processing Unit
EBD	=	Electronic Brake Force Distribution
ECU	=	Electronic Control Unit
EPS	=	Electric Motor Power Steering
H/B	=	Hatchback Type
IC	=	Integrated Circuit
J/B	=	Junction Block
LED	=	Light Emitting Diode
LH	=	Left-Hand
M/T	=	Manual Transaxle
PTC	=	Positive Temperature Coefficient
R/B	=	Relay Block
RH	=	Right-Hand
S/D	=	Sedan Type
SRS	=	Supplemental Restraint System
SW	=	Switch
TEMP.	=	Temperature
VSV	=	Vacuum Switching Valve
w/	=	With
w/o	=	Without

* The titles given inside the components are the names of the terminals (terminal codes) and are not treated as being abbreviations.

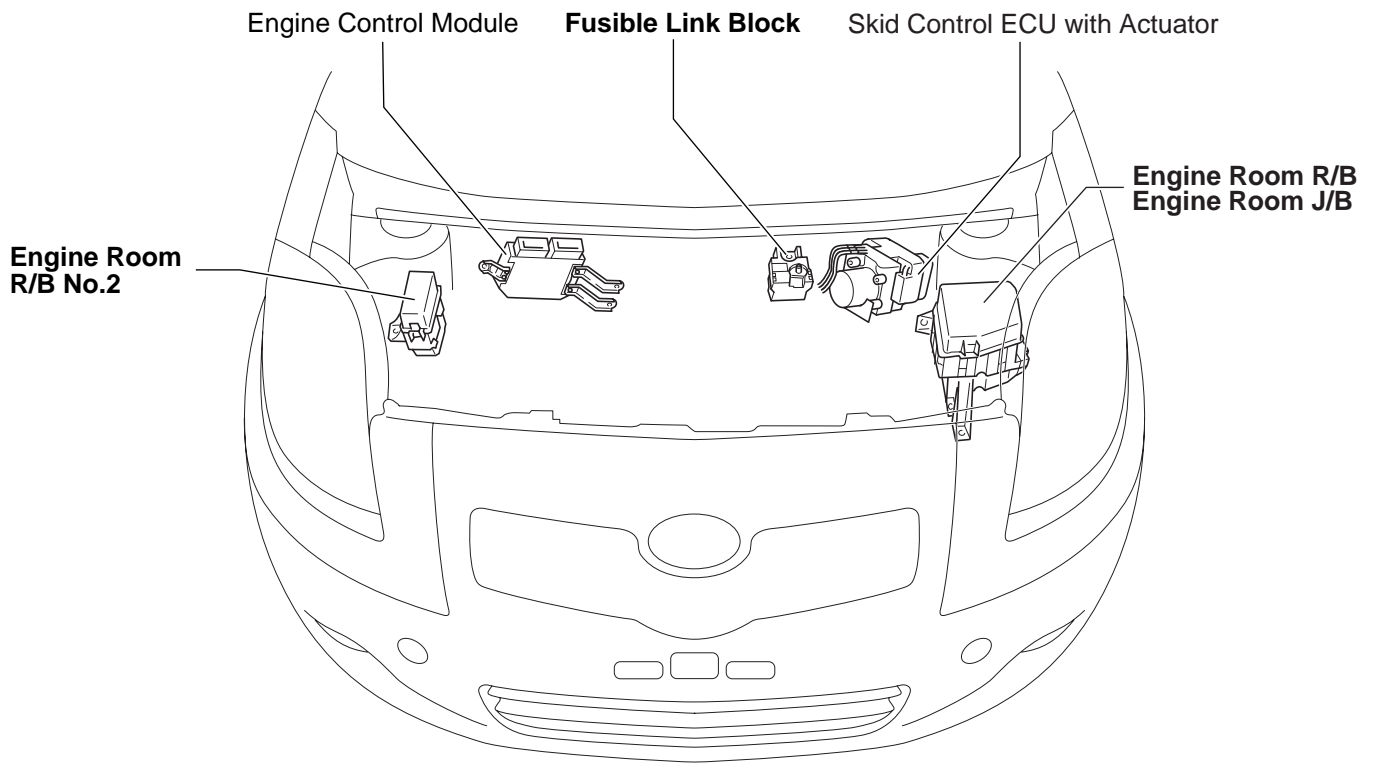
E GLOSSARY OF TERMS AND SYMBOLS

 <p>BATTERY Stores chemical energy and converts it into electrical energy. Provides DC current for the auto's various electrical circuits.</p>	 <p>GROUND The point at which wiring attaches to the Body, thereby providing a return path for an electrical circuit; without a ground, current cannot flow.</p>
 <p>CAPACITOR (Condenser) A small holding unit for temporary storage of electrical voltage.</p>	<p>HEADLIGHTS Current flow causes a headlight filament to heat up and emit light. A headlight may have either a single (1) filament or a double (2) filament</p> <p>1. SINGLE FILAMENT</p>  <p>2. DOUBLE FILAMENT</p> 
 <p>CIGARETTE LIGHTER An electric resistance heating element.</p>	
 <p>CIRCUIT BREAKER Basically a reusable fuse, a circuit breaker will heat and open if too much current flows through it. Some units automatically reset when cool, others must be manually reset.</p>	 <p>HORN An electric device which sounds a loud audible signal.</p>
 <p>DIODE A semiconductor which allows current flow in only one direction.</p>	 <p>IGNITION COIL Converts low-voltage DC current into high-voltage ignition current for firing the spark plugs.</p>
 <p>DIODE, ZENER A diode which allows current flow in one direction but blocks reverse flow only up to a specific voltage. Above that potential, it passes the excess voltage. This acts as a simple voltage regulator.</p>	 <p>LIGHT Current flow through a filament causes the filament to heat up and emit light.</p>
 <p>PHOTODIODE The photodiode is a semiconductor which controls the current flow according to the amount of light.</p>	 <p>LED (LIGHT EMITTING DIODE) Upon current flow, these diodes emit light without producing the heat of a comparable light.</p>
 <p>DISTRIBUTOR, IIA Channels high-voltage current from the ignition coil to the individual spark plugs.</p>	 <p>METER, ANALOG Current flow activates a magnetic coil which causes a needle to move, thereby providing a relative display against a background calibration.</p>
 <p>FUSE A thin metal strip which burns through when too much current flows through it, thereby stopping current flow and protecting a circuit from damage.</p>  <p>FUSIBLE LINK (for Medium Current Fuse) A heavy-gauge wire placed in high amperage circuits which burns through on overloads, thereby protecting the circuit. The numbers indicate the crosssection surface area of the wires.</p>  <p>(for High Current Fuse or Fusible Link)</p>	 <p>METER, DIGITAL Current flow activates one or many LED's, LCD's, or fluorescent displays, which provide a relative or digital display.</p>
	 <p>MOTOR A power unit which converts electrical energy into mechanical energy, especially rotary motion.</p>

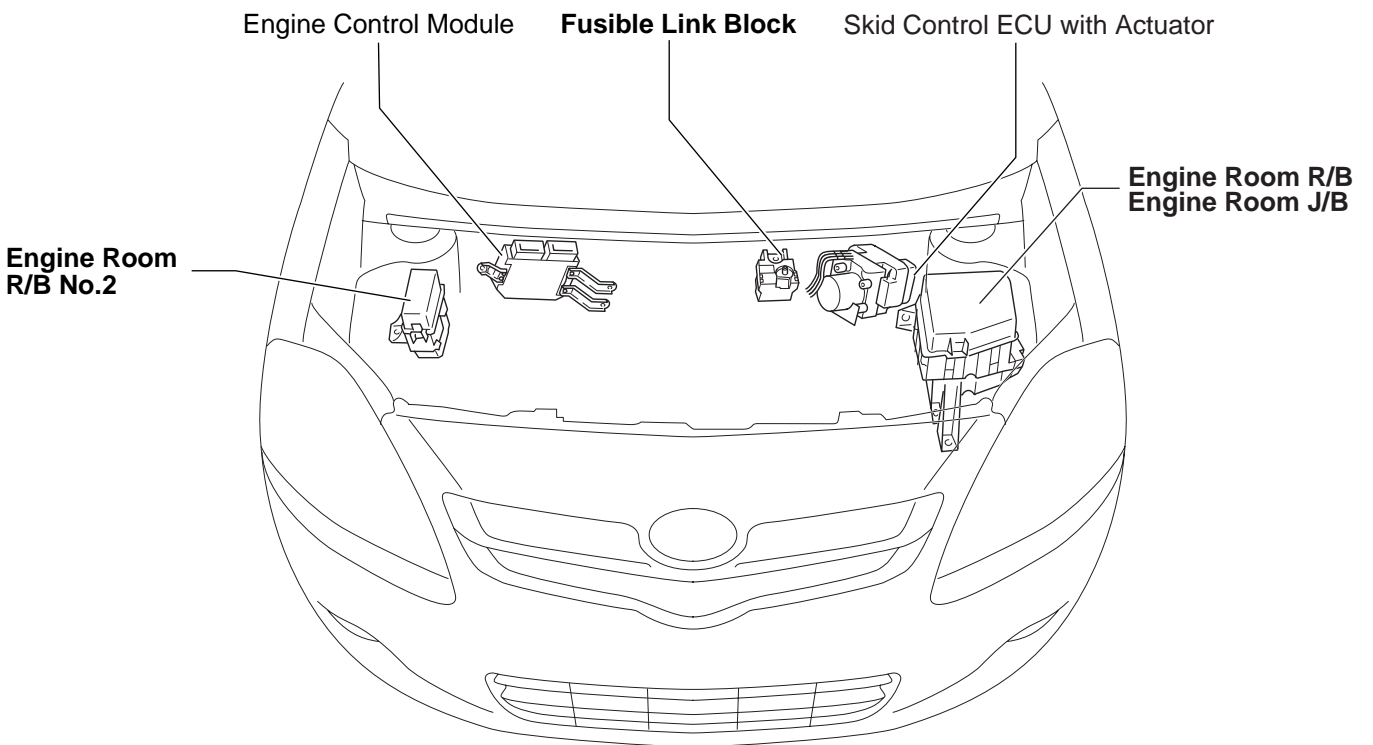
 <p>RELAY Basically, an electrically operated switch which may be normally closed (1) or open (2). Current flow through a small coil creates a magnetic field which either opens or closes an attached switch.</p> <p>1. NORMALLY CLOSED</p> <p>2. NORMALLY OPEN</p>	 <p>SPEAKER An electromechanical device which creates sound waves from current flow.</p>
 <p>RELAY, DOUBLE THROW A relay which passes current through one set of contacts or the other.</p>	<p>SWITCH, MANUAL Opens and closes circuits, thereby stopping (1) or allowing (2) current flow.</p>  <p>1. NORMALLY OPEN</p> <p>2. NORMALLY CLOSED</p>
 <p>RESISTOR An electrical component with a fixed resistance, placed in a circuit to reduce voltage to a specific value.</p>	<p>SWITCH, DOUBLE THROW A switch which continuously passes current through one set of contacts or the other.</p> 
 <p>RESISTOR, TAPPED A resistor which supplies two or more different non adjustable resistance values.</p>	<p>SWITCH, IGNITION A key operated switch with several positions which allows various circuits, particularly the primary ignition circuit, to become operational.</p> 
 <p>RESISTOR, VARIABLE or RHEOSTAT A controllable resistor with a variable rate of resistance. Also called a potentiometer or rheostat.</p>	<p>SWITCH, WIPER PARK Automatically returns wipers to the stop position when the wiper switch is turned off.</p> 
 <p>SENSOR (Thermistor) A resistor which varies its resistance with temperature.</p>	<p>TRANSISTOR A solidstate device typically used as an electronic relay; stops or passes current depending on the voltage applied at "base".</p> 
 <p>SENSOR, SPEED Uses magnetic impulses to open and close a switch to create a signal for activation of other components. (Reed Switch Type)</p>	<p>WIRES Wires are always drawn as straight lines on wiring diagrams. Crossed wires (1) without a black dot at the junction are not joined; crossed wires (2) with a black dot or octagonal (○) mark at the junction are spliced (joined) connections.</p>  <p>(1) NOT CONNECTED</p> <p>(2) SPLICED</p>
 <p>SHORT PIN Used to provide an unbroken connection within a junction block.</p>	
 <p>SOLENOID An electromagnetic coil which forms a magnetic field when current flows, to move a plunger, etc.</p>	

F RELAY LOCATIONS

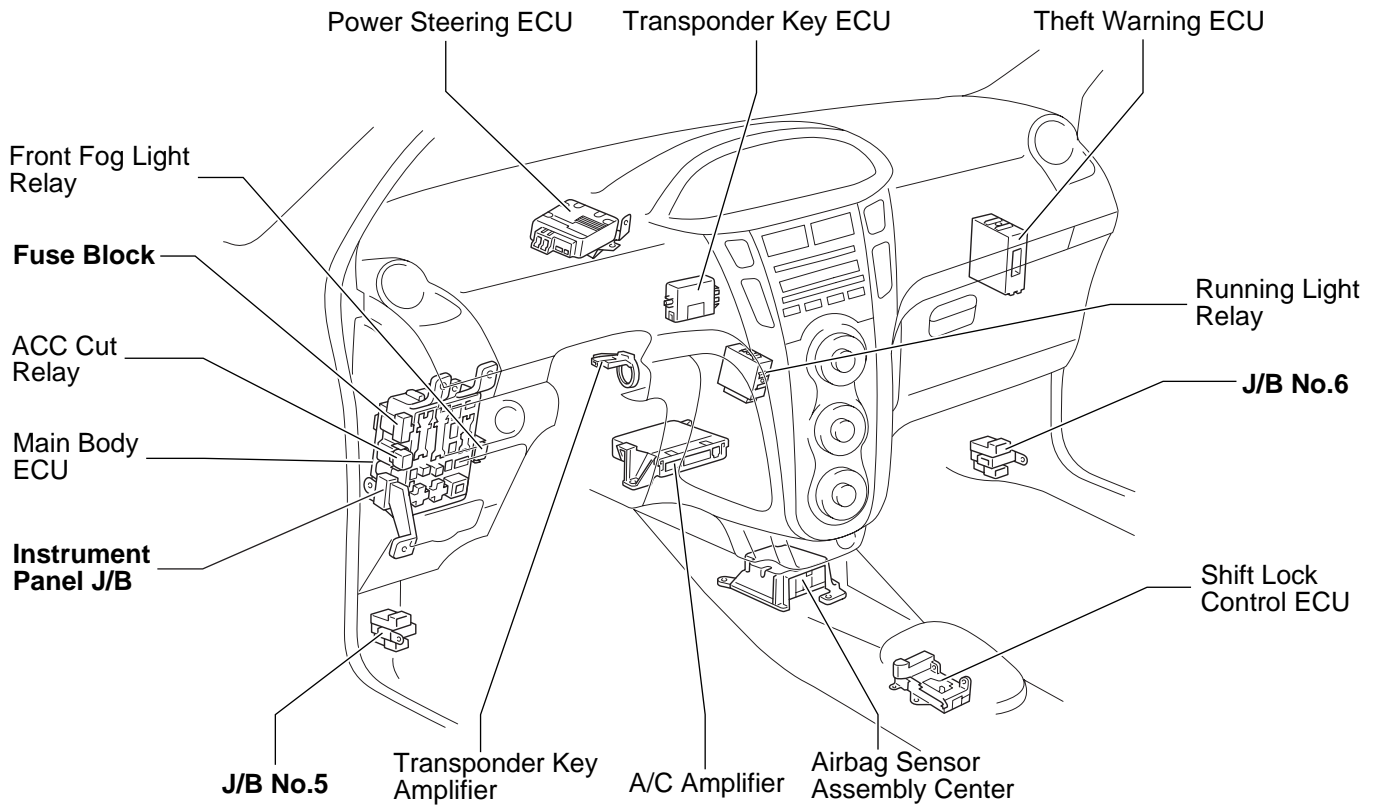
[Engine Compartment]
(H/B)



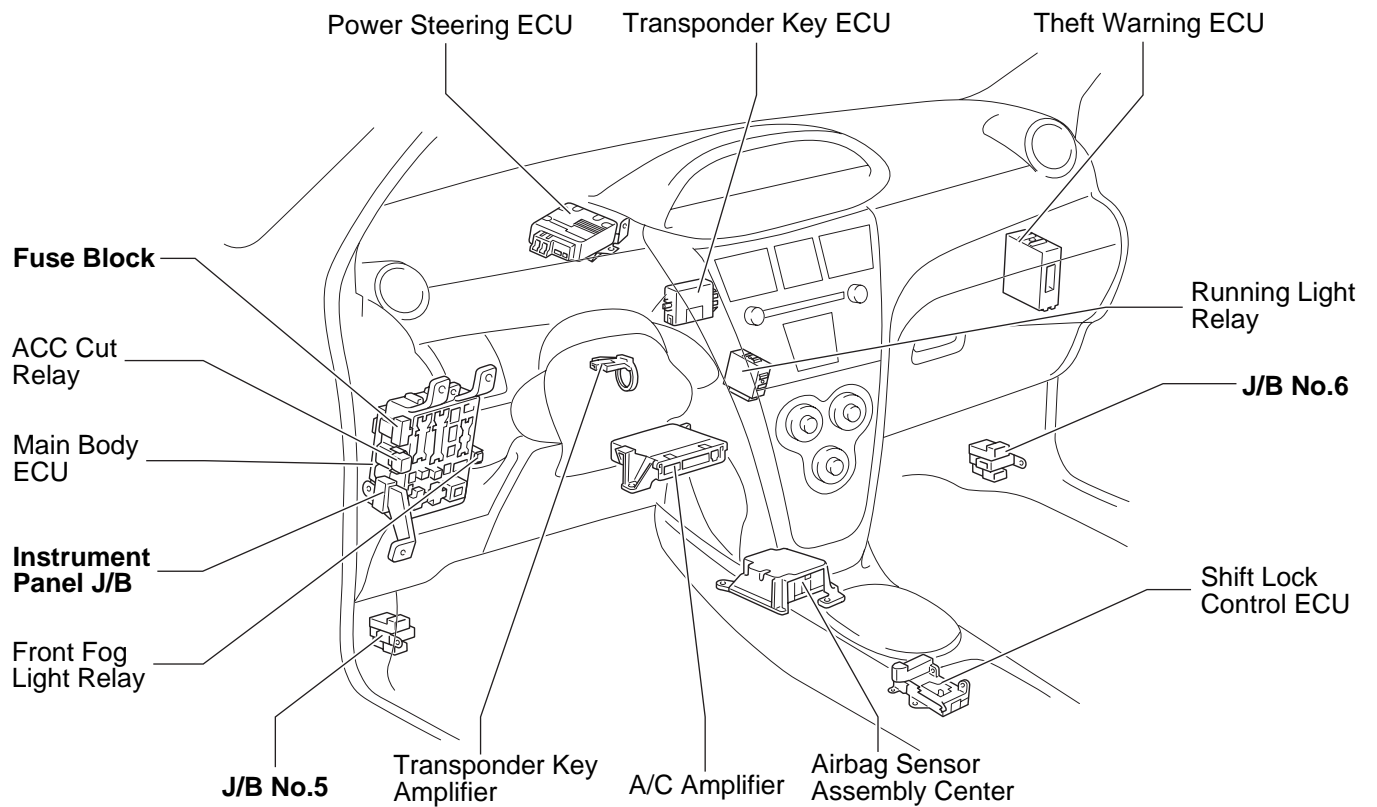
(S/D)



**[Instrument Panel]
(H/B)**

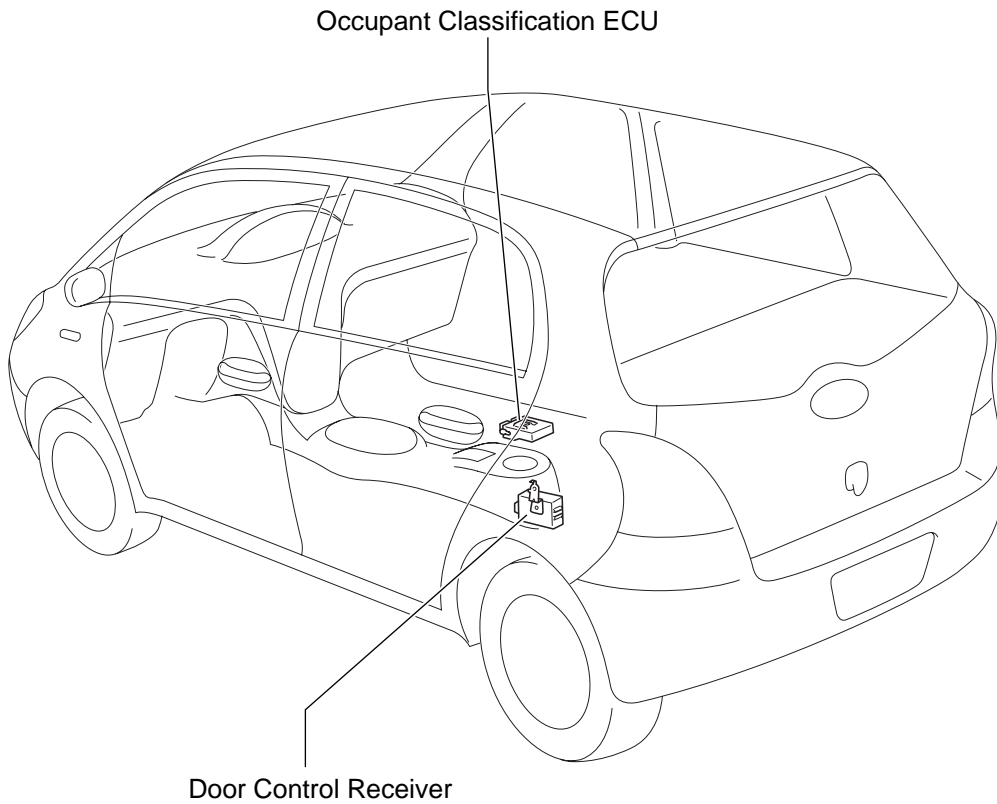


(S/D)

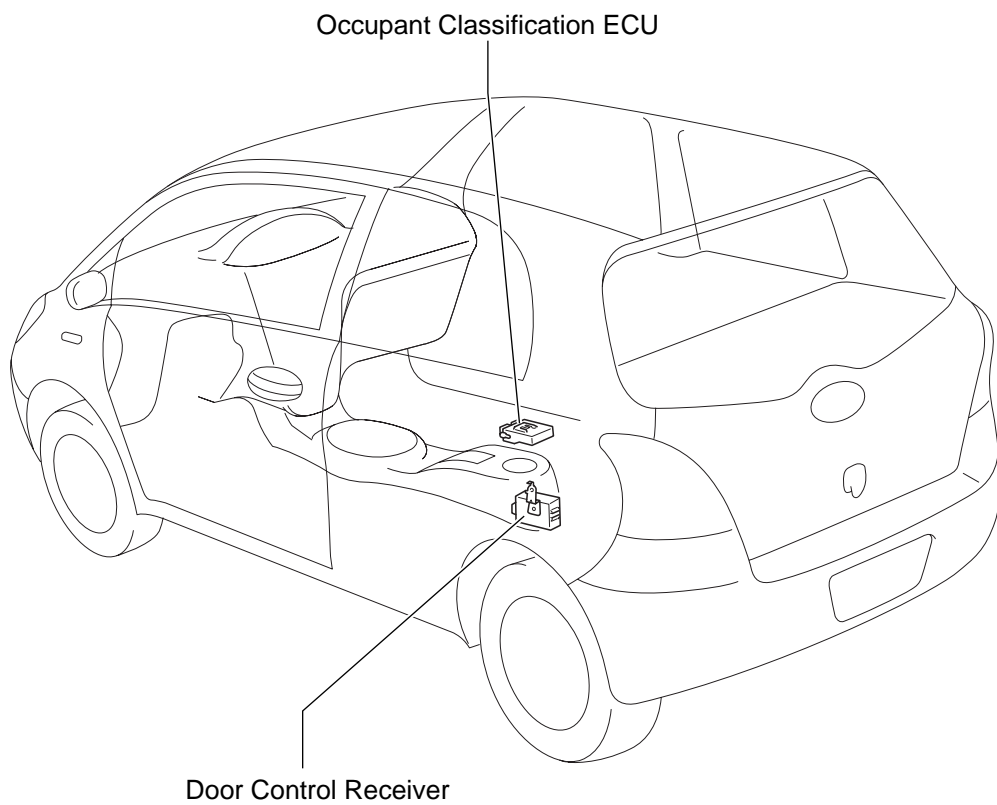


F RELAY LOCATIONS

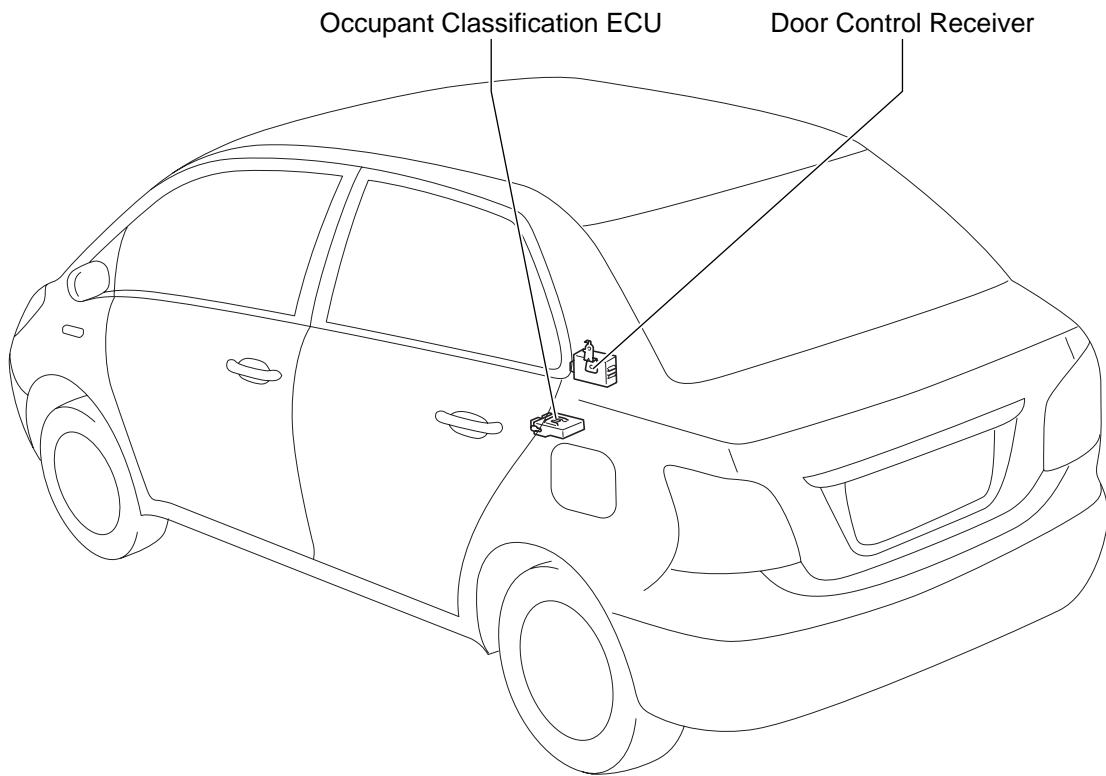
[Body]
(5-Door)



(3-Door)



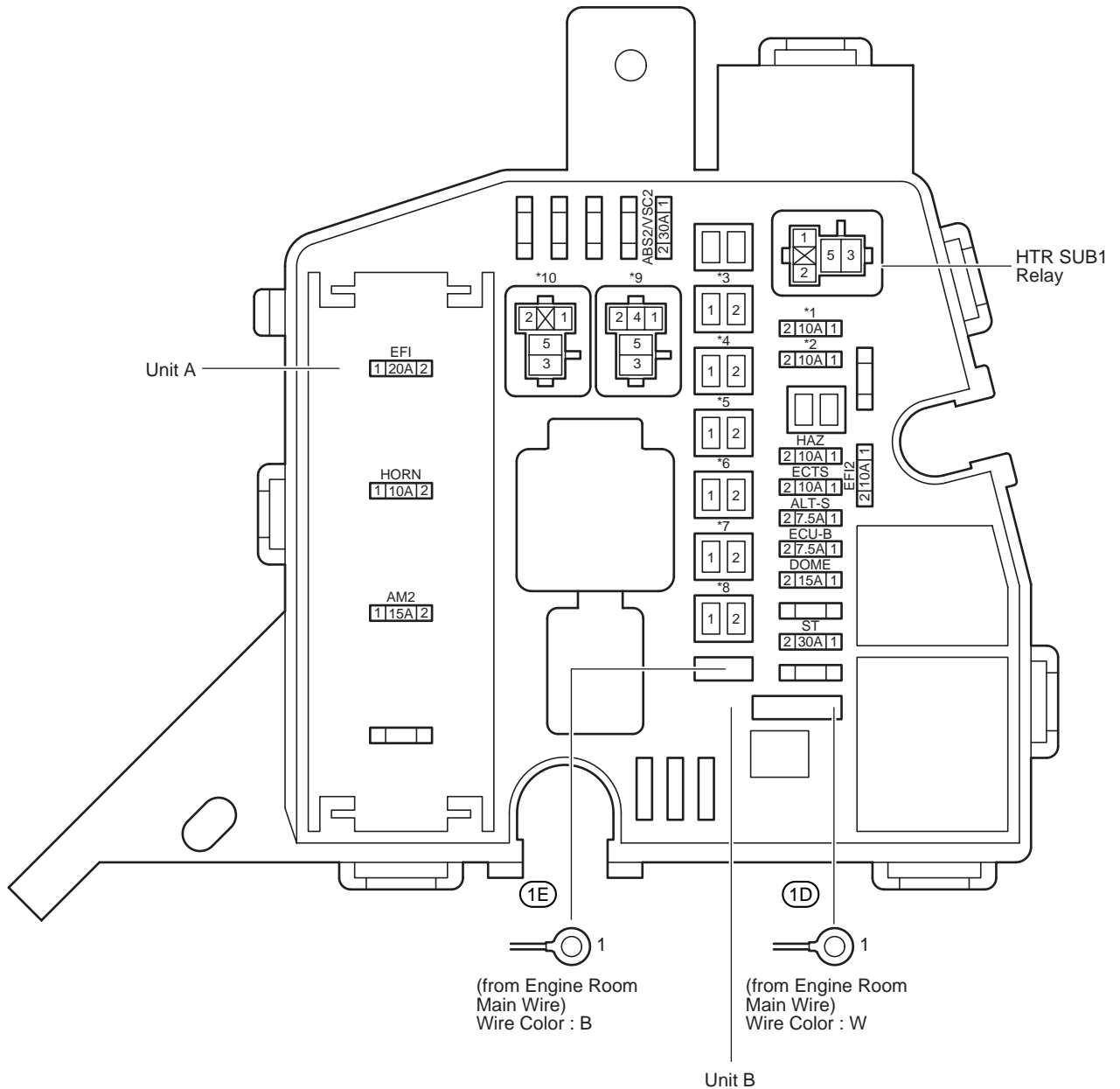
(4-Door)

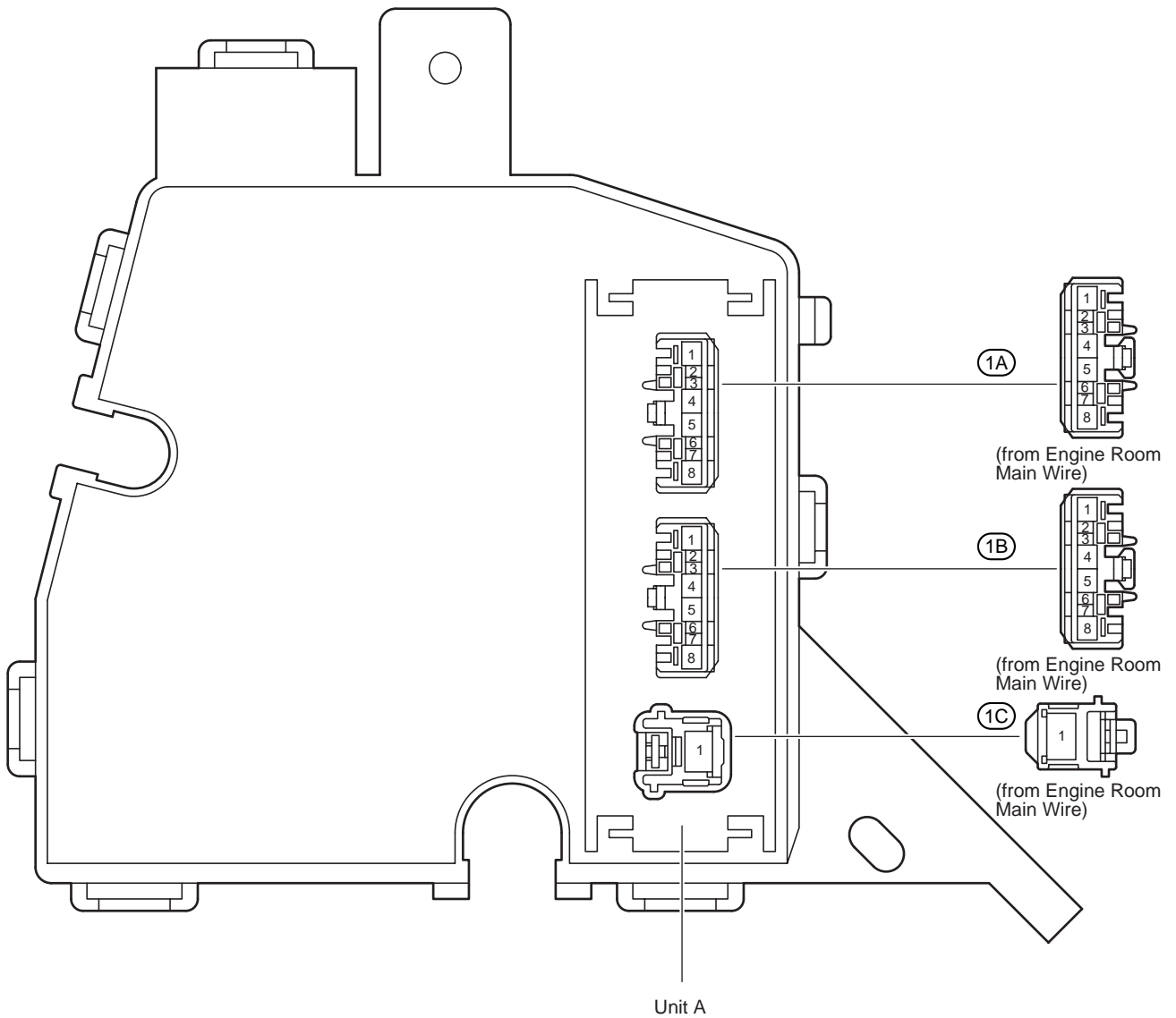


F RELAY LOCATIONS

① : Engine Room R/B ○ : Engine Room J/B	Engine Compartment Left (See Page 20)
--	--

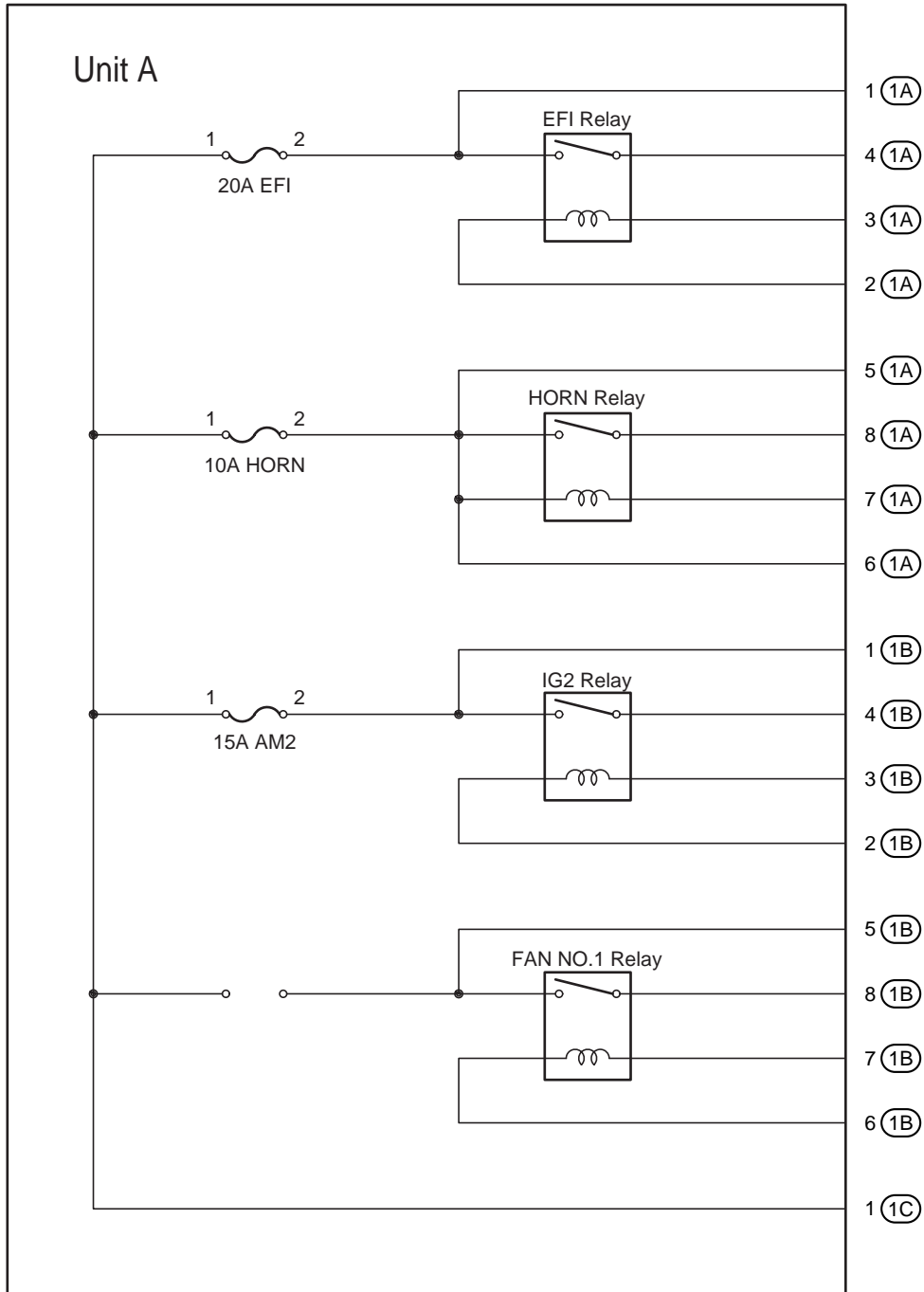
- * 1:H-LP LH/H-LP LO LH
- * 2:H-LP RH/H-LP LO RH
- * 3:30A HTR SUB1 (for High Current)
- * 4:30A RDI (for High Current)
- * 5:40A HTR (for High Current)
- * 6:50A ABS1/VSC1 (for High Current)
- * 7:50A EPS (for High Current)
- * 8:40A HTR SUB2 (for High Current)
- * 9:FAN NO.2 Relay
- * 10:ST Relay

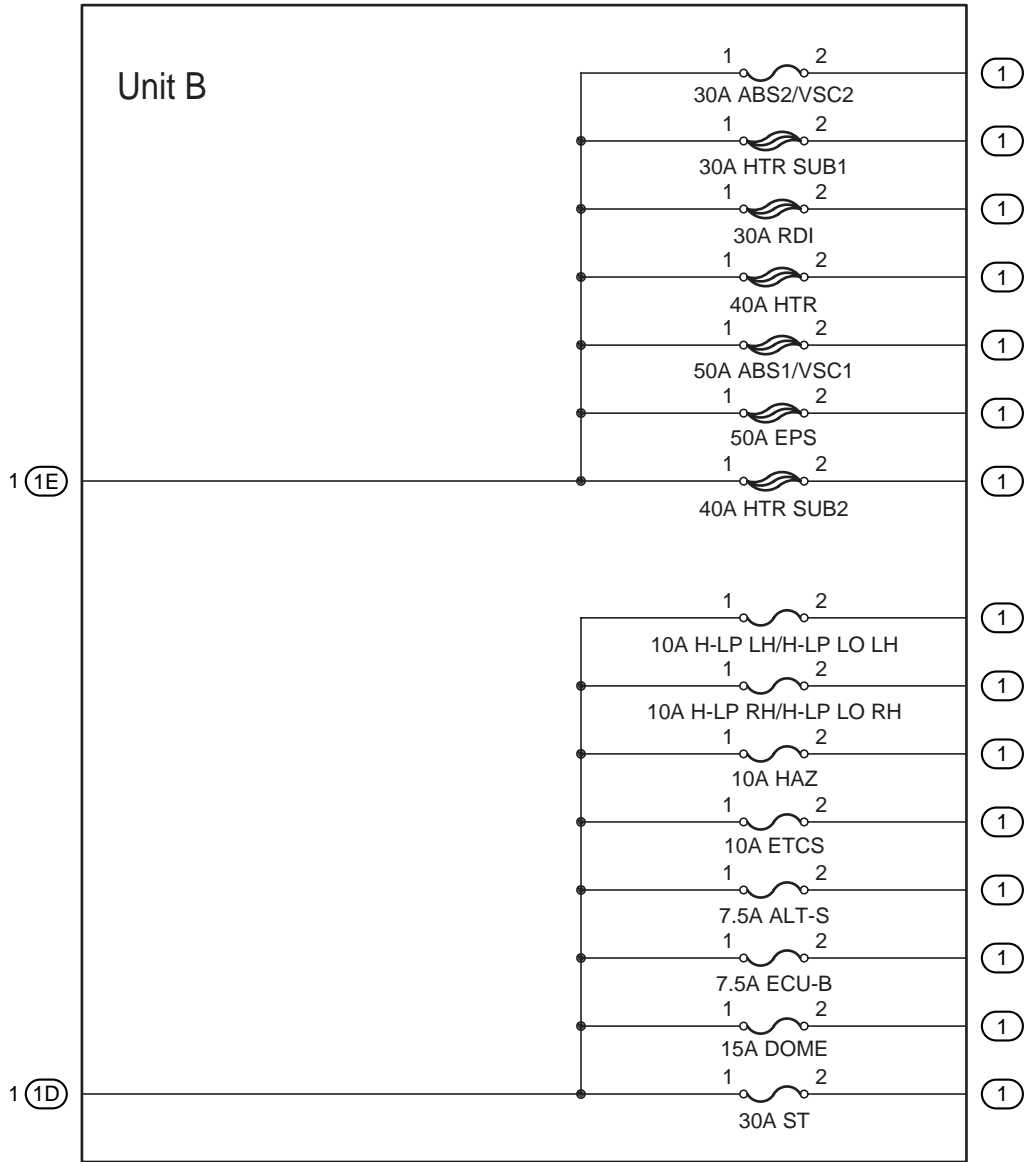




F RELAY LOCATIONS

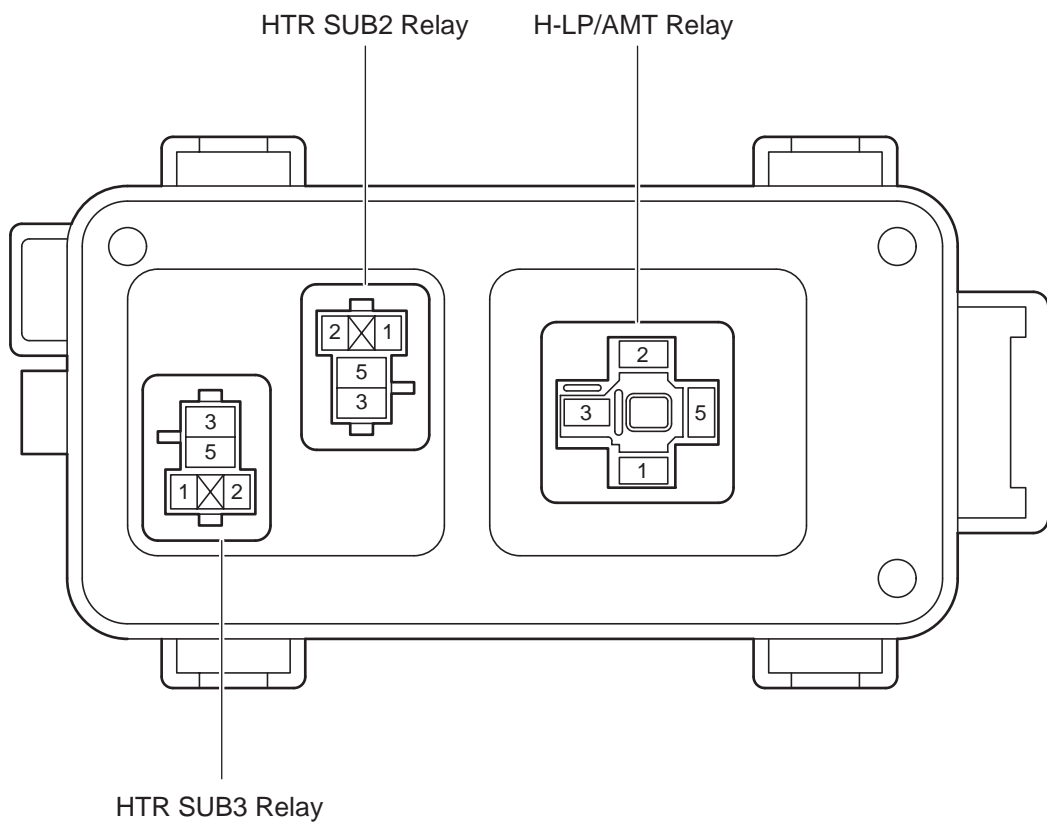
[Engine Room R/B and Engine Room J/B Inner Circuit]





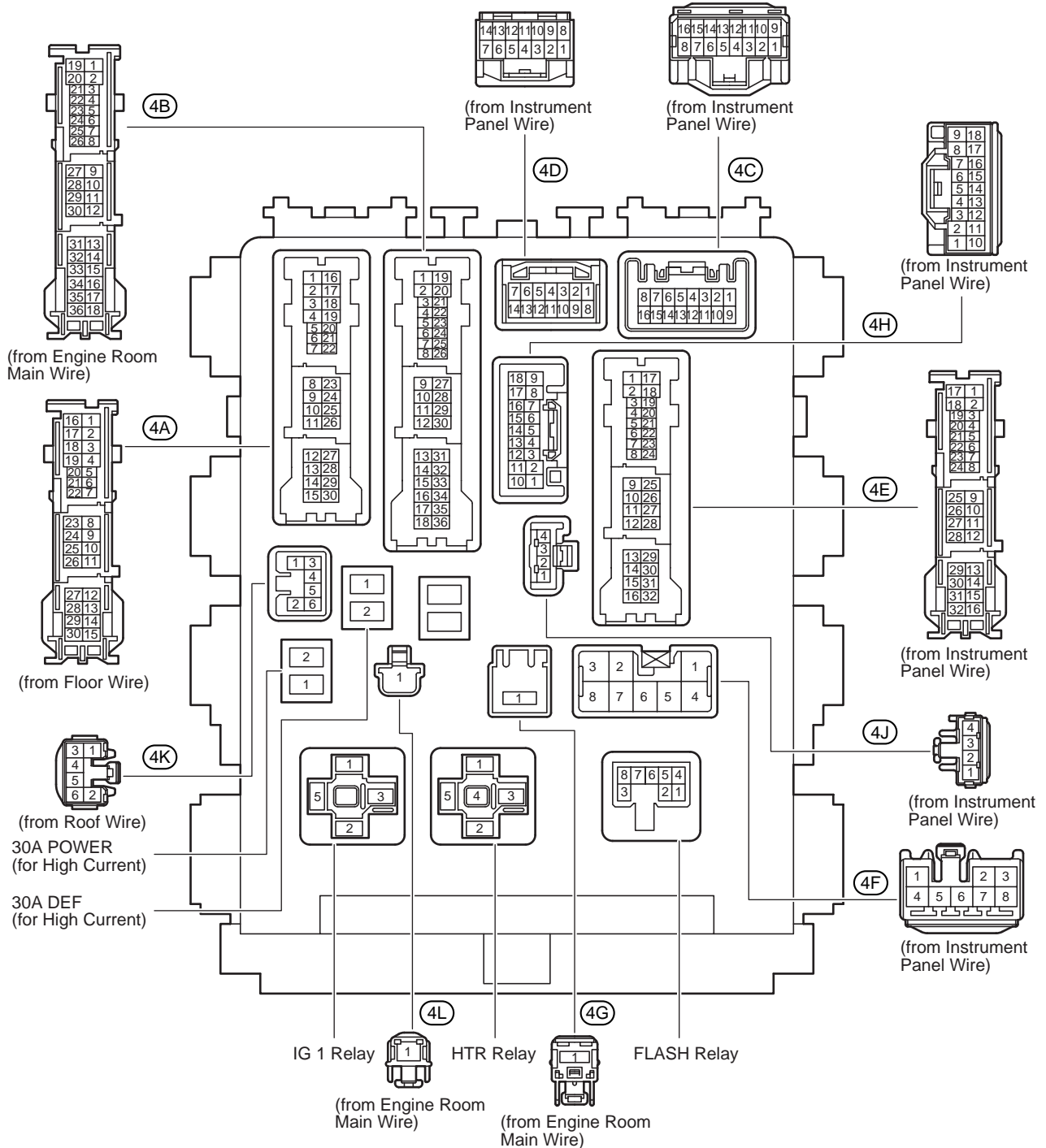
F RELAY LOCATIONS

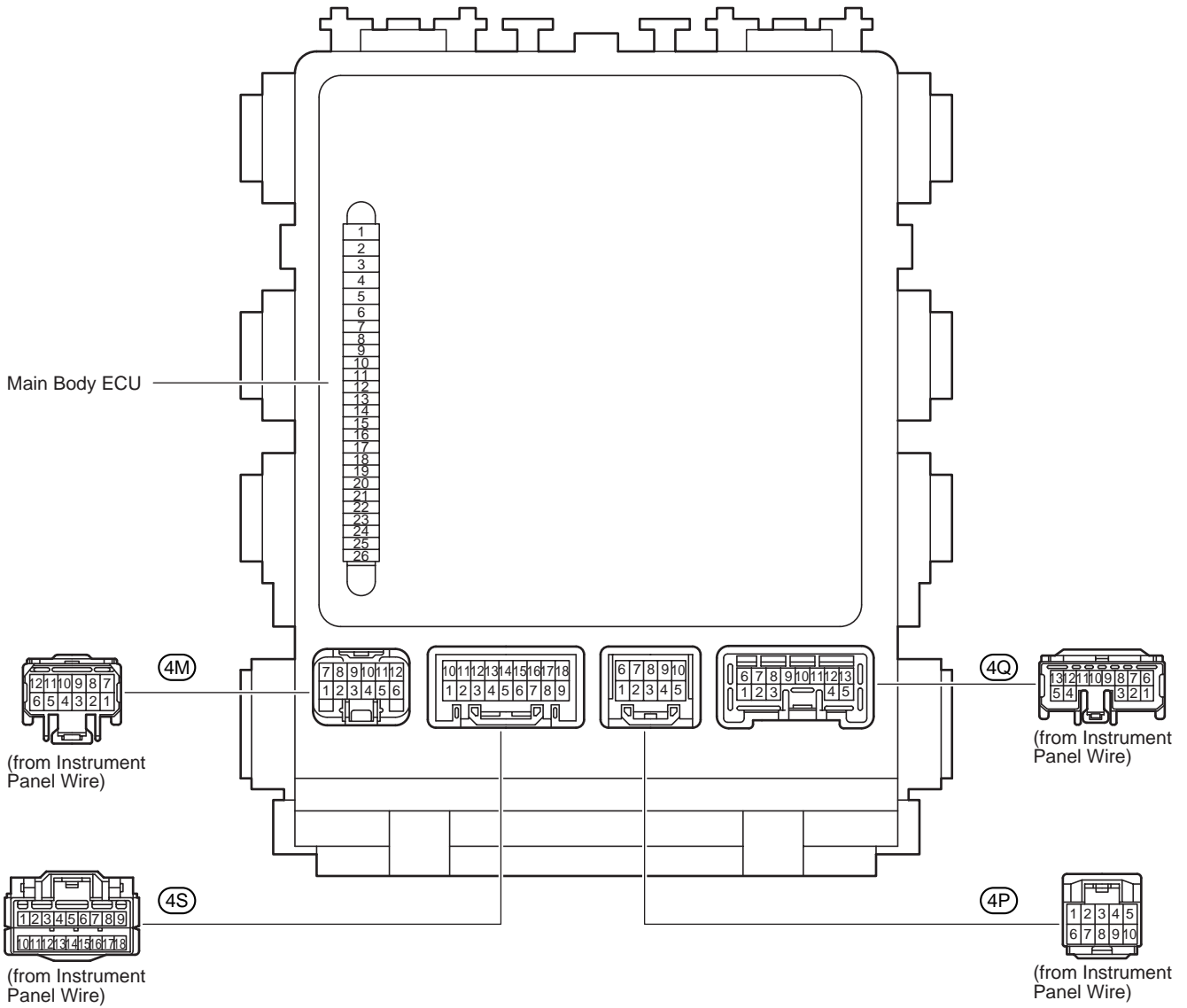
② : Engine Room R/B No.2 | Engine Compartment Right (See Page 20)



F RELAY LOCATIONS

○ : Instrument Panel J/B Lower Finish Panel (See Page 21)

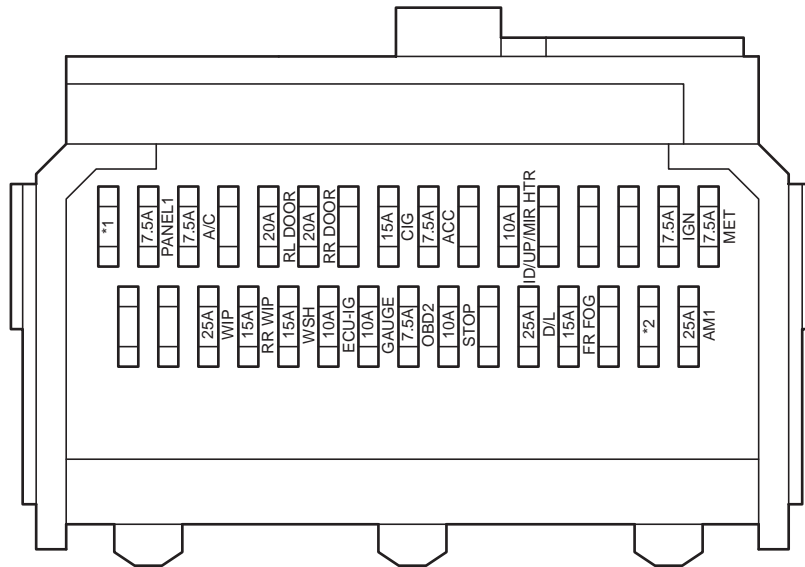




F RELAY LOCATIONS

○ : Instrument Panel J/B Lower Finish Panel (See Page 21)

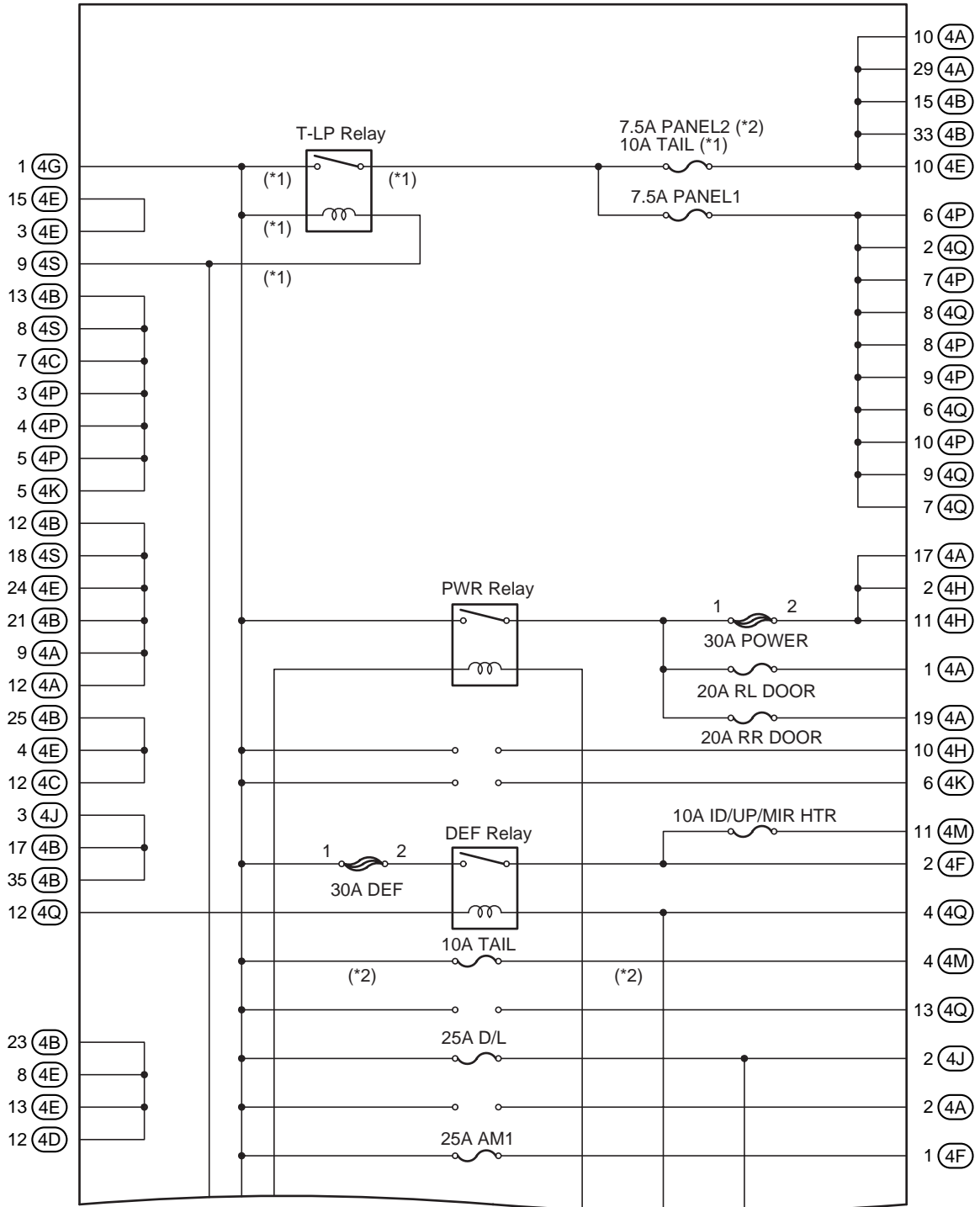
- * 1:10A TAIL (H/B, S/D *3)
7.5A PANEL 2 (*4)
- * 2:10A TAIL (*4)
- * 3: Cold Area Spec., w/ Engine Immobiliser System, w/ ABS, w/ Rear Window Defogger, w/ Door Lock Control, w/ Daytime Running Light, w/ Remote Control Mirror, w/ Air Conditioning
- * 4: Except H/B, S/D *3



F RELAY LOCATIONS

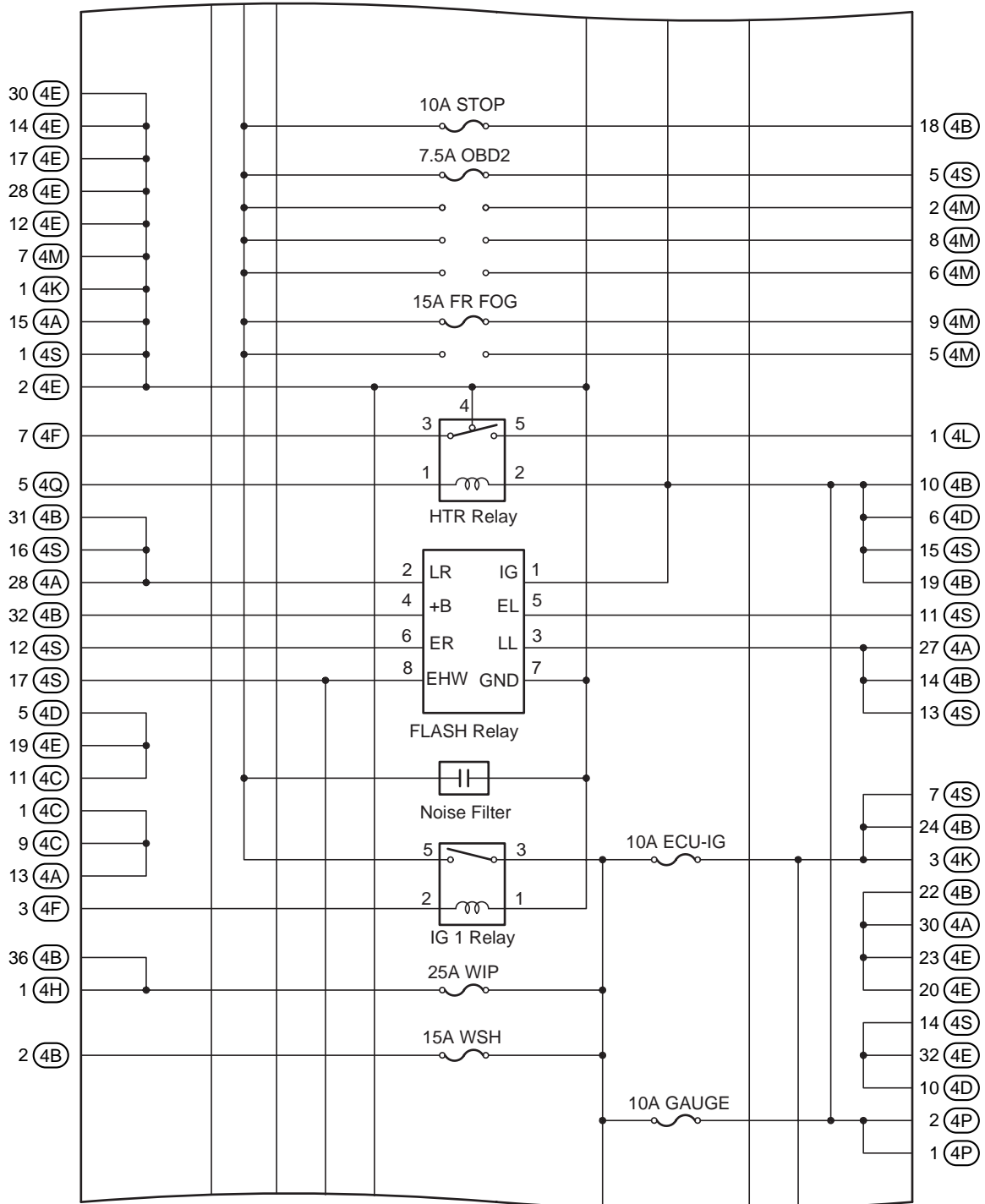
[Instrument Panel J/B Inner Circuit]

- * 1:H/B, S/D *3
- * 2:Except *1
- * 3: Cold Area Spec., w/ Engine Immobiliser System, w/ ABS, w/ Rear Window Defogger, w/ Door Lock Control, w/ Daytime Running Light, w/ Remote Control Mirror, w/ Air Conditioning



(Cont. Next Page)

(Cont'd)

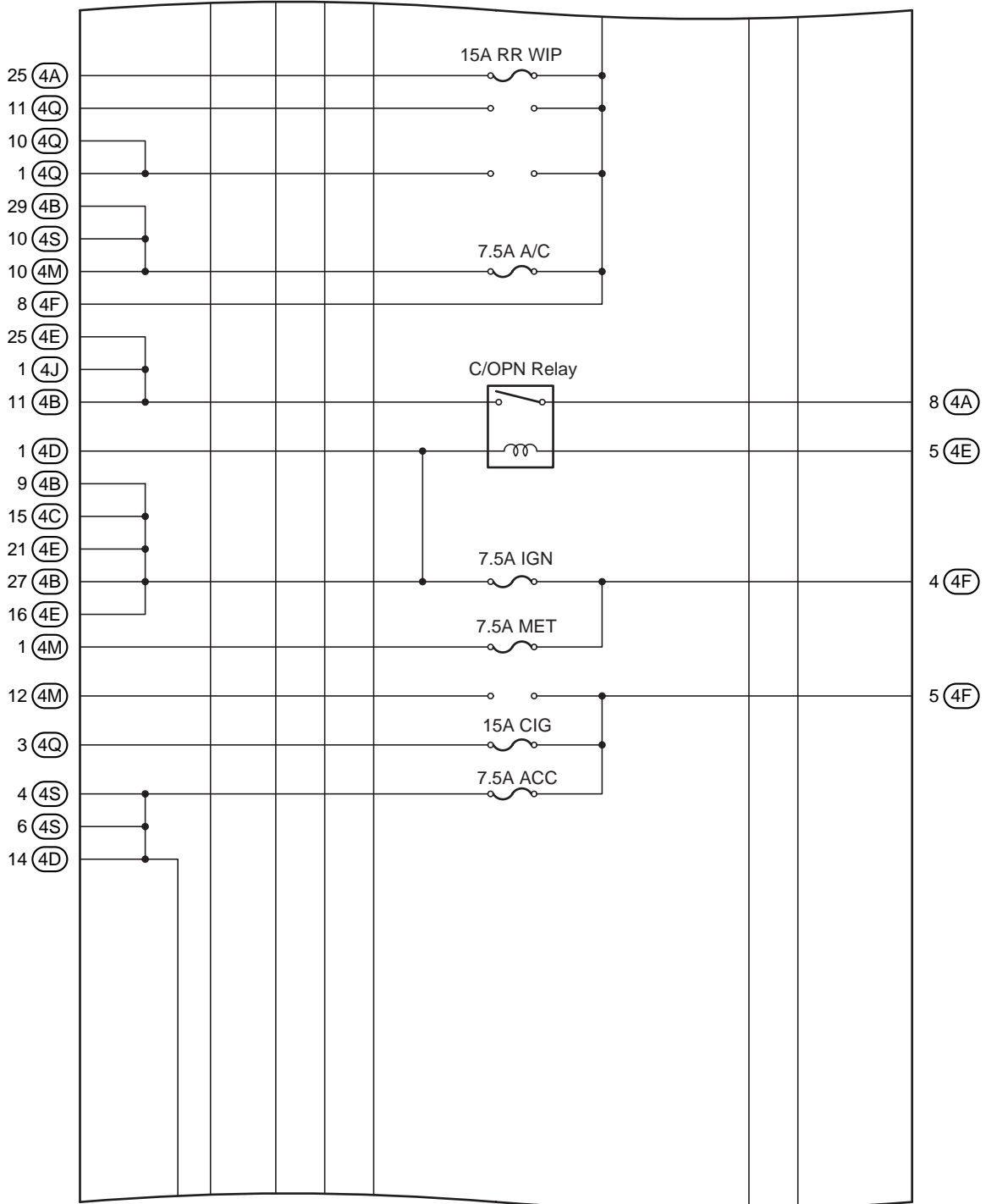


(Cont. Next Page)

F RELAY LOCATIONS

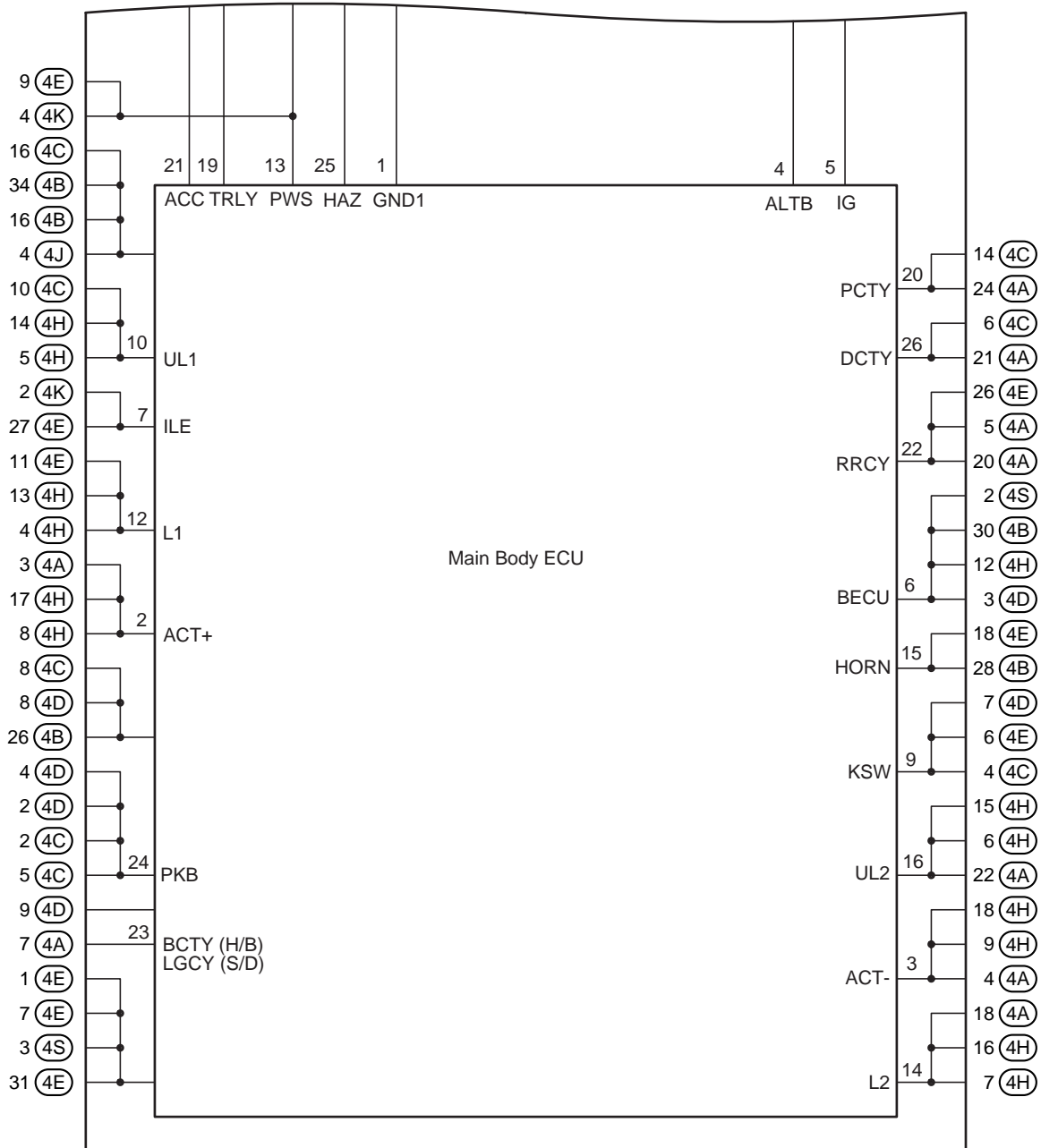
[Instrument Panel J/B Inner Circuit]

(Cont'd)



(Cont. Next Page)

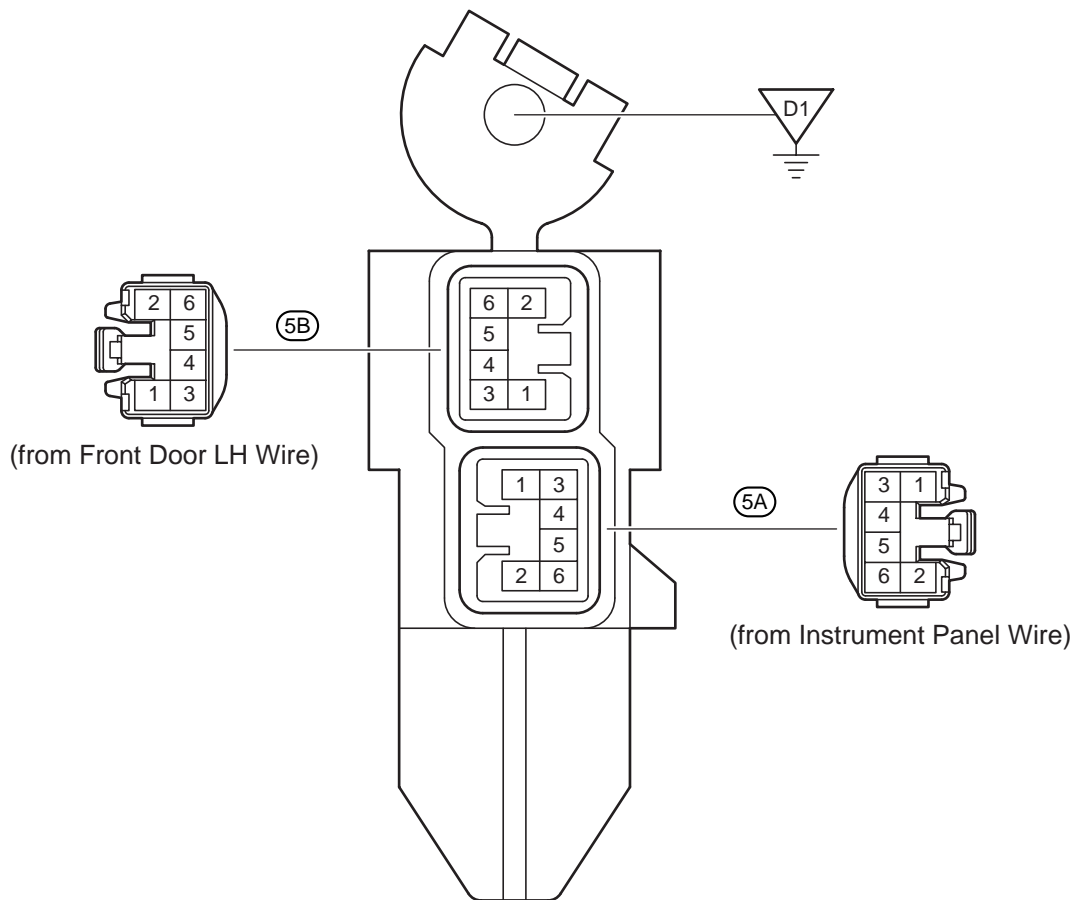
(Cont'd)



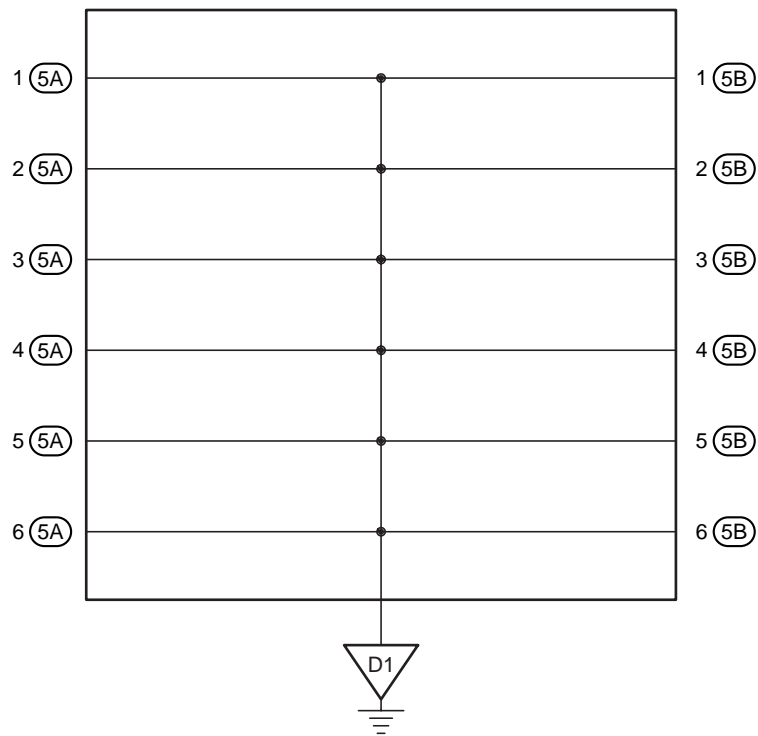
F RELAY LOCATIONS

○ : J/B No.5

Left Kick Panel (See Page 21)



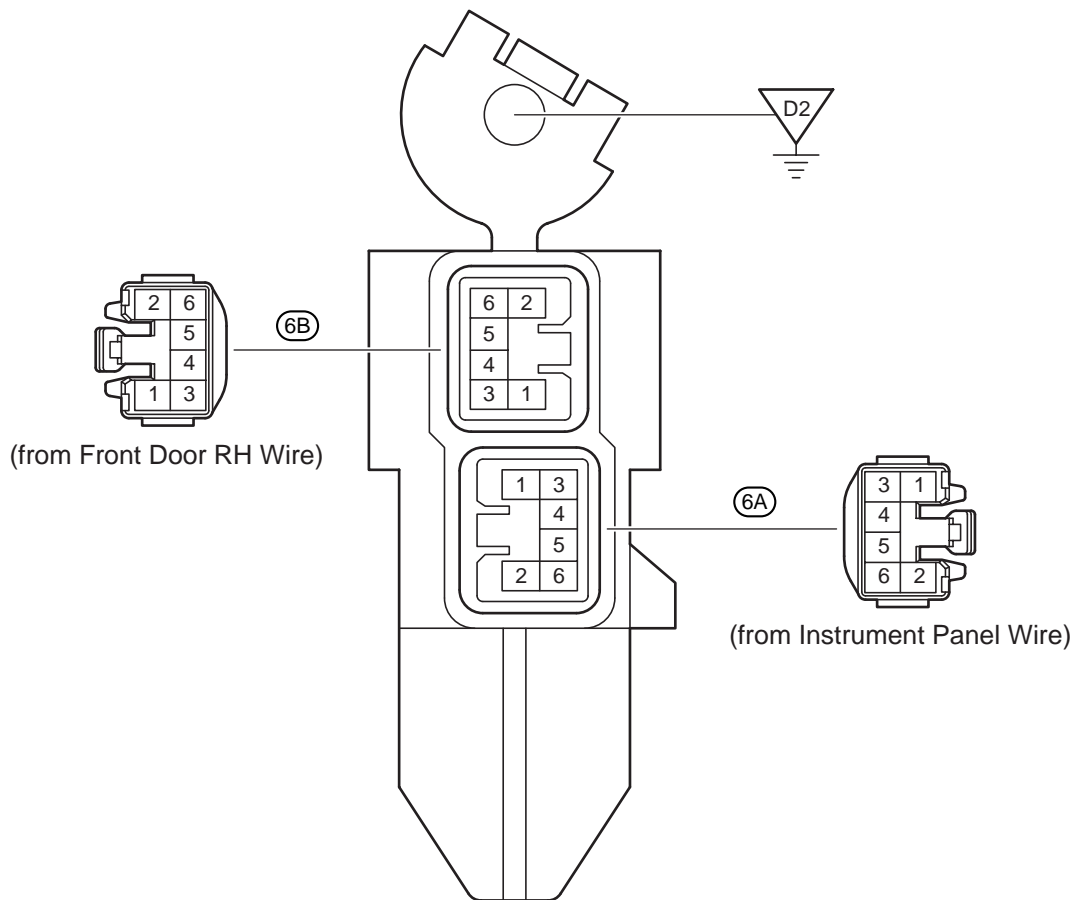
[J/B No.5 Inner Circuit]



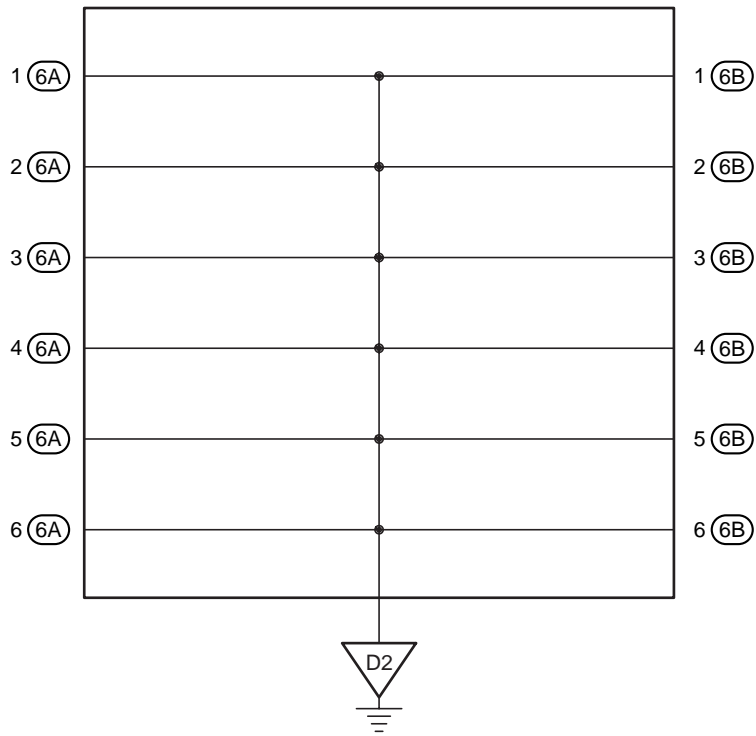
F RELAY LOCATIONS

○ : J/B No.6

Right Kick Panel (See Page 21)



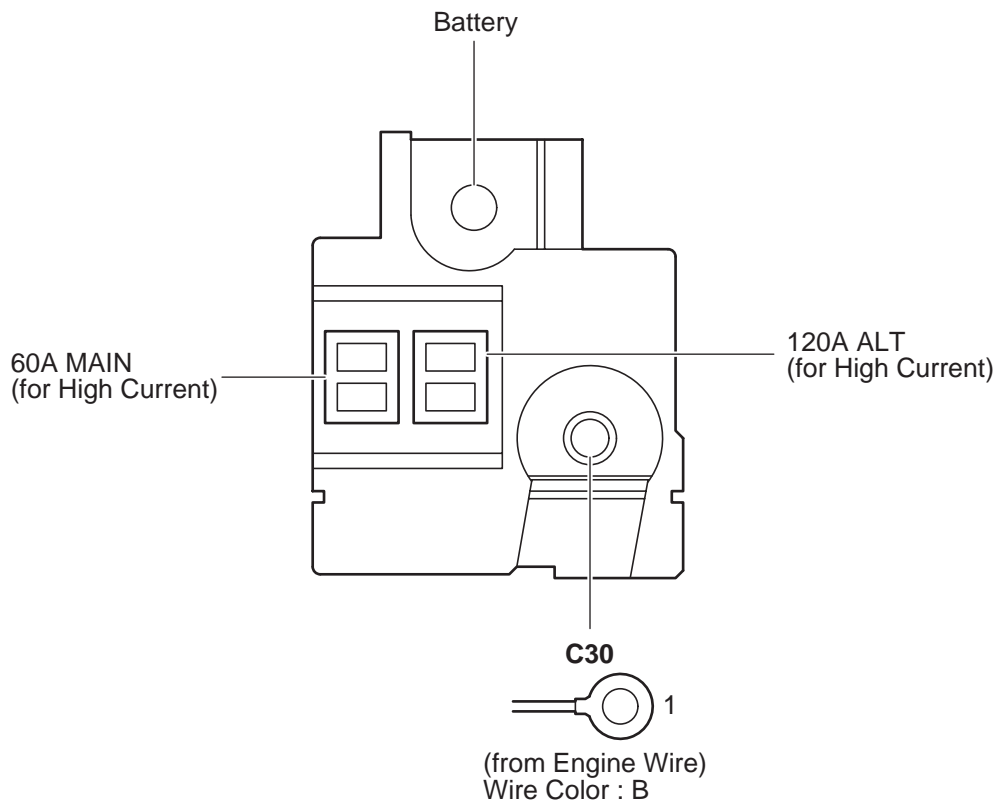
[J/B No.6 Inner Circuit]

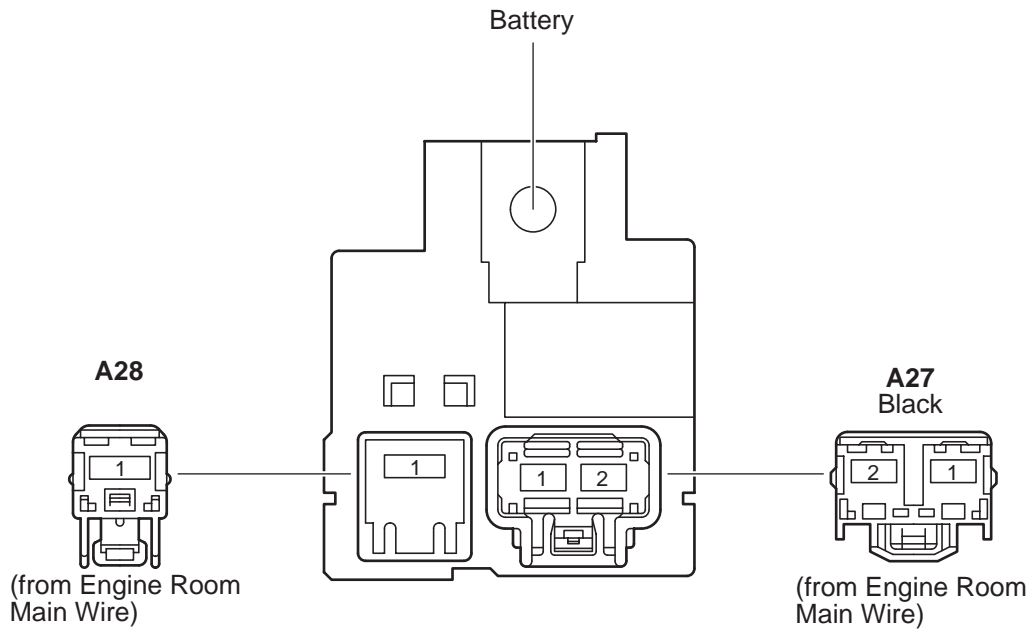


F RELAY LOCATIONS

Fusible Link Block

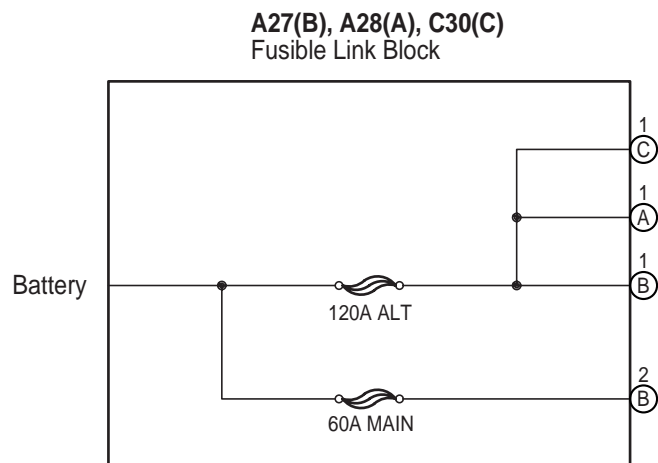
Near the Battery (See Page 20)

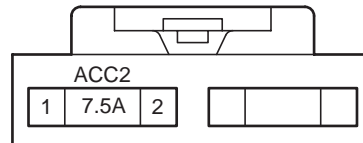




F RELAY LOCATIONS

[Fusible Link Block Inner Circuit]

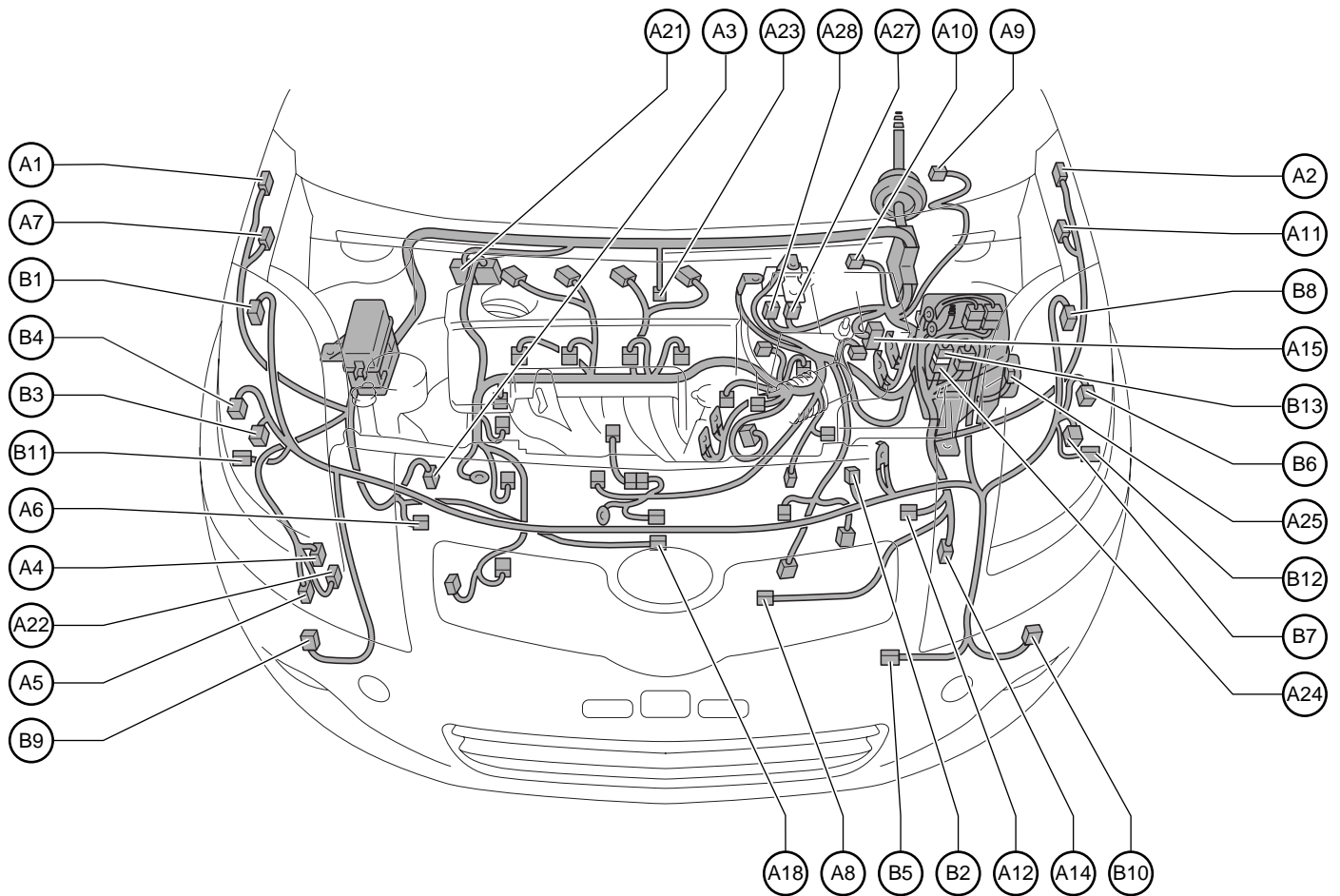


Fuse Block**Near the Instrument Panel J/B (See Page 21)**

G ELECTRICAL WIRING ROUTING

Position of Parts in Engine Compartment

[H/B]

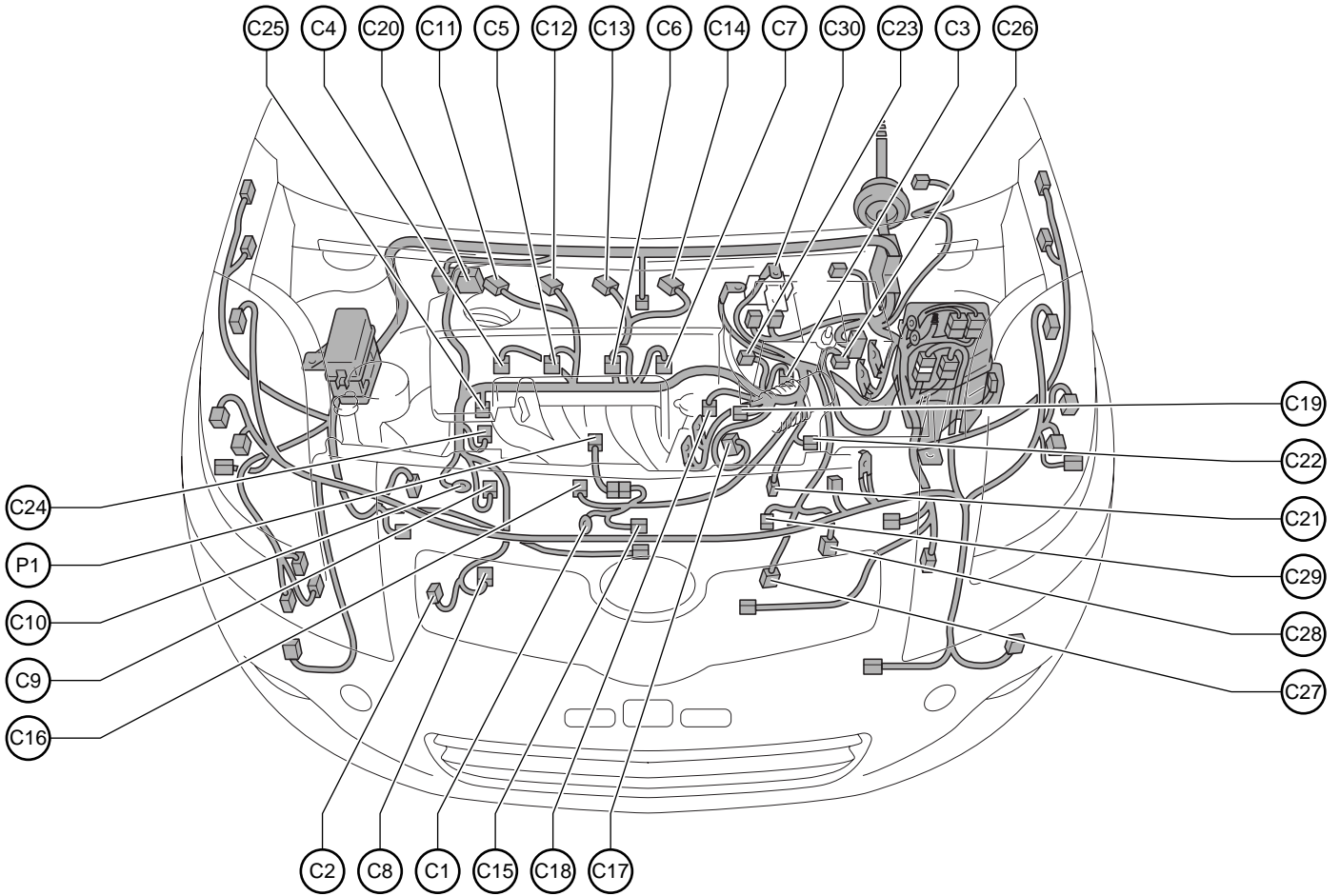


- A 1 Turn Signal Lamp (Front Side RH)
- A 2 Turn Signal Lamp (Front Side LH)
- A 3 A/C Pressure Sensor
- A 4 Rear Washer Motor
- A 5 Windshield Washer Motor
- A 6 Airbag Sensor (Front RH)
- A 7 Speed Sensor (Front RH)
- A 8 Cooling Fan Motor
- A 9 Windshield Wiper Motor
- A10 Brake Fluid Level Warning SW
- A11 Speed Sensor (Front LH)
- A12 Airbag Sensor (Front LH)
- A14 Radiator Fan Resistor
- A15 Skid Control ECU with Actuator
- A18 Engine Hood Courtesy SW
- A21 Engine Control Module
- A22 Water Level Warning SW
- A23 Security Horn
- A24 Junction Connector
- A25 Junction Connector
- A27 Fusible Link Block
- A28 Fusible Link Block

- B 1 Turn Signal Lamp (Front RH)
- B 2 Horn
- B 3 Parking Lamp (RH)
- B 4 Headlamp (RH)
- B 5 Ambient Temp. Sensor
- B 6 Headlamp (LH)
- B 7 Parking Lamp (LH)
- B 8 Turn Signal Lamp (Front LH)
- B 9 Fog Lamp (Front RH)
- B10 Fog Lamp (Front LH)
- B11 Side Marker Lamp (Front RH)
- B12 Side Marker Lamp (Front LH)
- B13 Junction Connector

Position of Parts in Engine Compartment

[H/B]



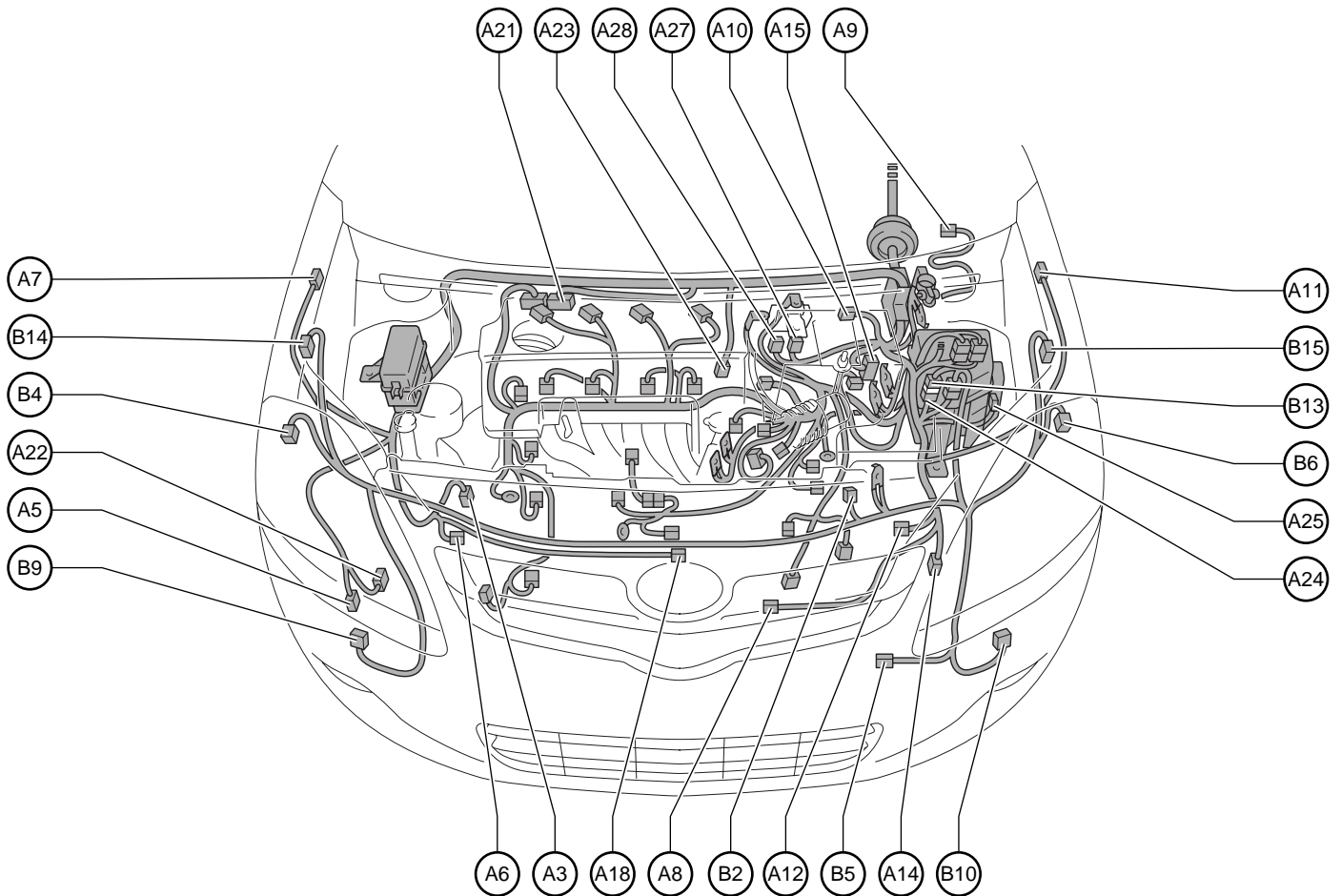
- C 1 Starter
- C 2 Crankshaft Position Sensor
- C 3 VSV (Purge)
- C 4 Fuel Injector (No.1)
- C 5 Fuel Injector (No.2)
- C 6 Fuel Injector (No.3)
- C 7 Fuel Injector (No.4)
- C 8 A/C Compressor
- C 9 Generator
- C10 Generator
- C11 Ignition Coil (No.1)
- C12 Ignition Coil (No.2)
- C13 Ignition Coil (No.3)
- C14 Ignition Coil (No.4)
- C15 Starter
- C16 Engine Oil Pressure SW

- C17 Throttle Body Assembly
 - C18 Camshaft Position Sensor
 - C19 Engine Coolant Temp. Sensor
 - C20 Engine Control Module
 - C21 Speed Sensor
 - C22 Back-Up Lamp SW
 - C23 Air Fuel Ratio Sensor (Bank 1 Sensor 1)
 - C24 Camshaft Timing Oil Control Valve
 - C25 Noise Filter
 - C26 Mass Air Flow Meter
 - C27 Park/Neutral Position SW
 - C28 Electronically Controlled Transmission Solenoid
 - C29 Speed Sensor (Turbine)
 - C30 Fusible Link Block
- P 1 Knock Control Sensor (Bank 1)

G ELECTRICAL WIRING ROUTING

Position of Parts in Engine Compartment

[S/D]

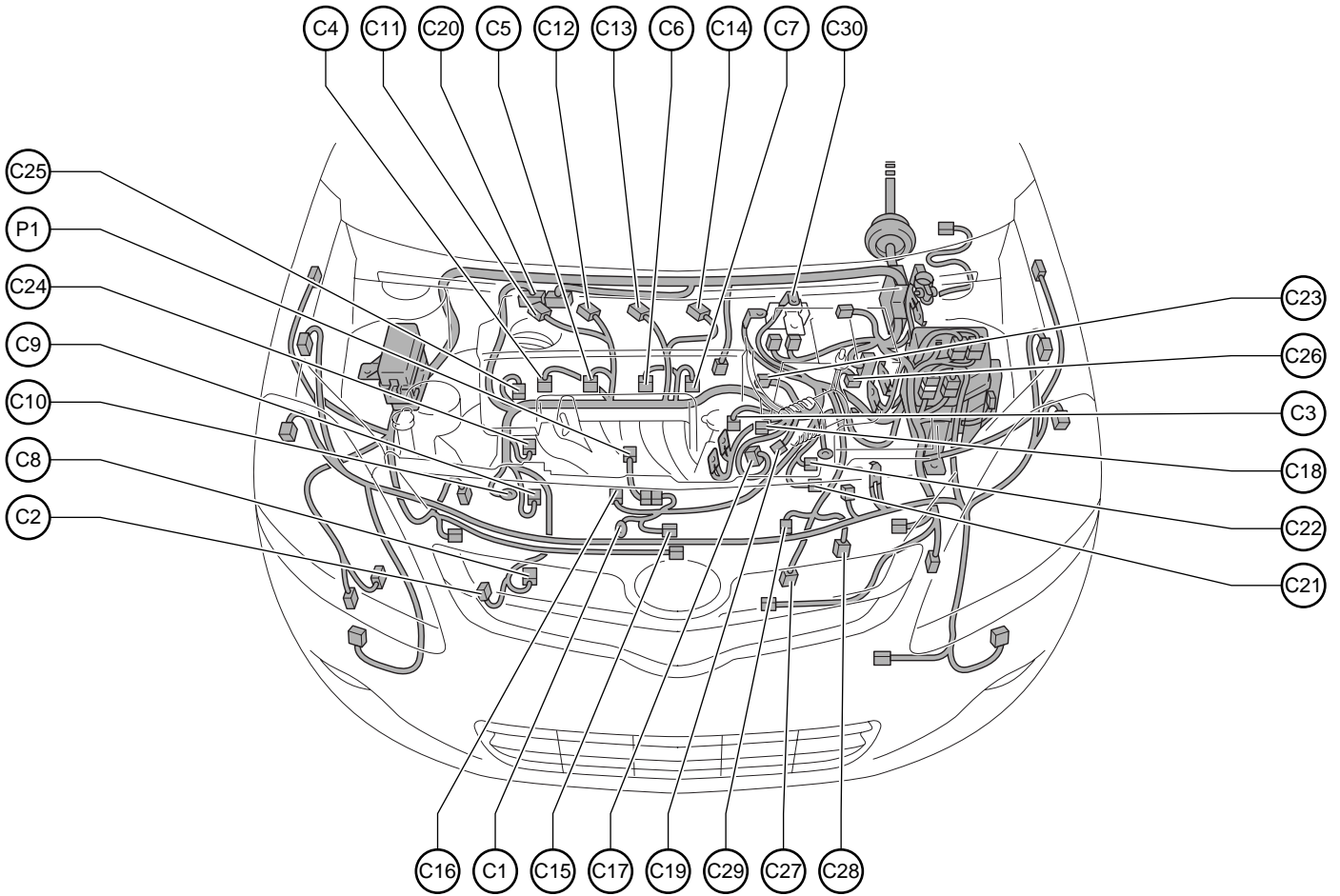


- A 3 A/C Pressure Sensor
- A 5 Windshield Washer Motor
- A 6 Airbag Sensor (Front RH)
- A 7 Speed Sensor (Front RH)
- A 8 Cooling Fan Motor
- A 9 Windshield Wiper Motor
- A 10 Brake Fluid Level Warning SW
- A 11 Speed Sensor (Front LH)
- A 12 Airbag Sensor (Front LH)
- A 14 Radiator Fan Resistor
- A 15 Skid Control ECU with Actuator
- A 18 Engine Hood Courtesy SW
- A 21 Engine Control Module
- A 22 Water Level Warning SW
- A 23 Security Horn
- A 24 Junction Connector
- A 25 Junction Connector
- A 27 Fusible Link Block
- A 28 Fusible Link Block

- B 2 Horn
- B 4 Headlamp (RH)
- B 5 Ambient Temp. Sensor
- B 6 Headlamp (LH)
- B 9 Fog Lamp (Front RH)
- B 10 Fog Lamp (Front LH)
- B 13 Junction Connector
- B 14 Turn Signal, Side Marker and Parking Lamp (RH)
- B 15 Turn Signal, Side Marker and Parking Lamp (LH)

Position of Parts in Engine Compartment

[S/D]



C 1 Starter
 C 2 Crankshaft Position Sensor
 C 3 VSV (Purge)
 C 4 Fuel Injector (No.1)
 C 5 Fuel Injector (No.2)
 C 6 Fuel Injector (No.3)
 C 7 Fuel Injector (No.4)
 C 8 A/C Compressor
 C 9 Generator
 C 10 Generator
 C 11 Ignition Coil (No.1)
 C 12 Ignition Coil (No.2)
 C 13 Ignition Coil (No.3)
 C 14 Ignition Coil (No.4)
 C 15 Starter
 C 16 Engine Oil Pressure SW

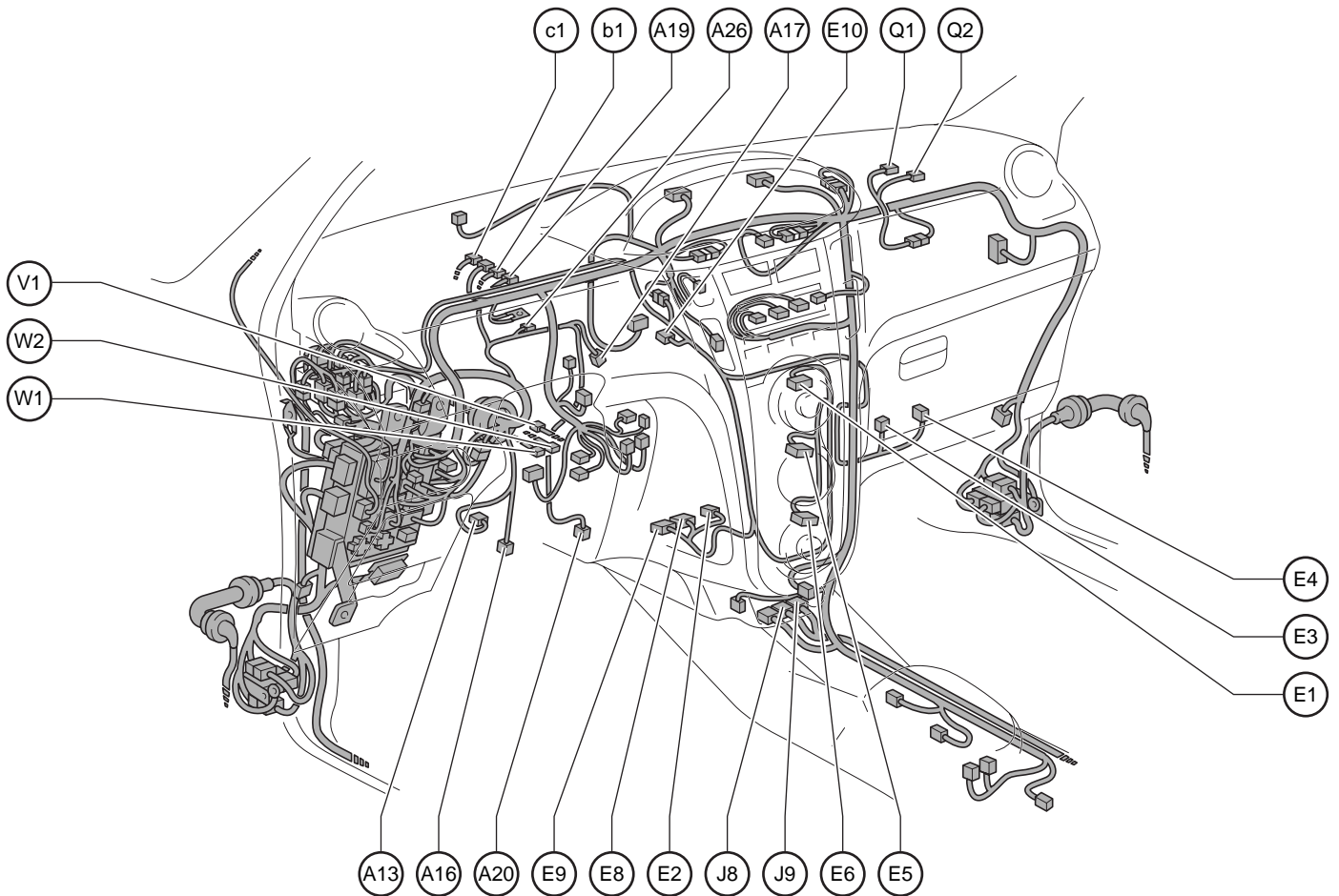
C 17 Throttle Body Assembly
 C 18 Camshaft Position Sensor
 C 19 Engine Coolant Temp. Sensor
 C 20 Engine Control Module
 C 21 Speed Sensor
 C 22 Back-Up Lamp SW
 C 23 Air Fuel Ratio Sensor (Bank 1 Sensor 1)
 C 24 Camshaft Timing Oil Control Valve
 C 25 Noise Filter
 C 26 Mass Air Flow Meter
 C 27 Park/Neutral Position SW
 C 28 Electronically Controlled Transmission Solenoid
 C 29 Speed Sensor (Turbine)
 C 30 Fusible Link Block

P 1 Knock Control Sensor (Bank 1)

G ELECTRICAL WIRING ROUTING

Position of Parts in Instrument Panel

[H/B]



A13 Stop Lamp SW
 A16 Clutch Start SW
 A17 PTC Heater
 A19 Power Steering ECU
 A20 Accelerator Position Sensor
 A26 Junction Connector

E 1 Blower SW
 E 2 A/C Thermistor No.1
 E 3 Blower Resistor
 E 4 Blower Motor
 E 5 A/C SW
 E 6 Rear Window Defogger SW
 E 8 A/C Amplifier
 E 9 A/C Amplifier
 E10 Junction Connector

J 8 Airbag Sensor Assembly Center
 J 9 Airbag Sensor Assembly Center

Q 1 Airbag Squib (Front Passenger's Airbag Assembly)
 Q 2 Airbag Squib (Front Passenger's Airbag Assembly)

V 1 Spiral Cable
 Steering Pad SW

W 1 Airbag Squib (Steering Wheel Pad)
 Spiral Cable

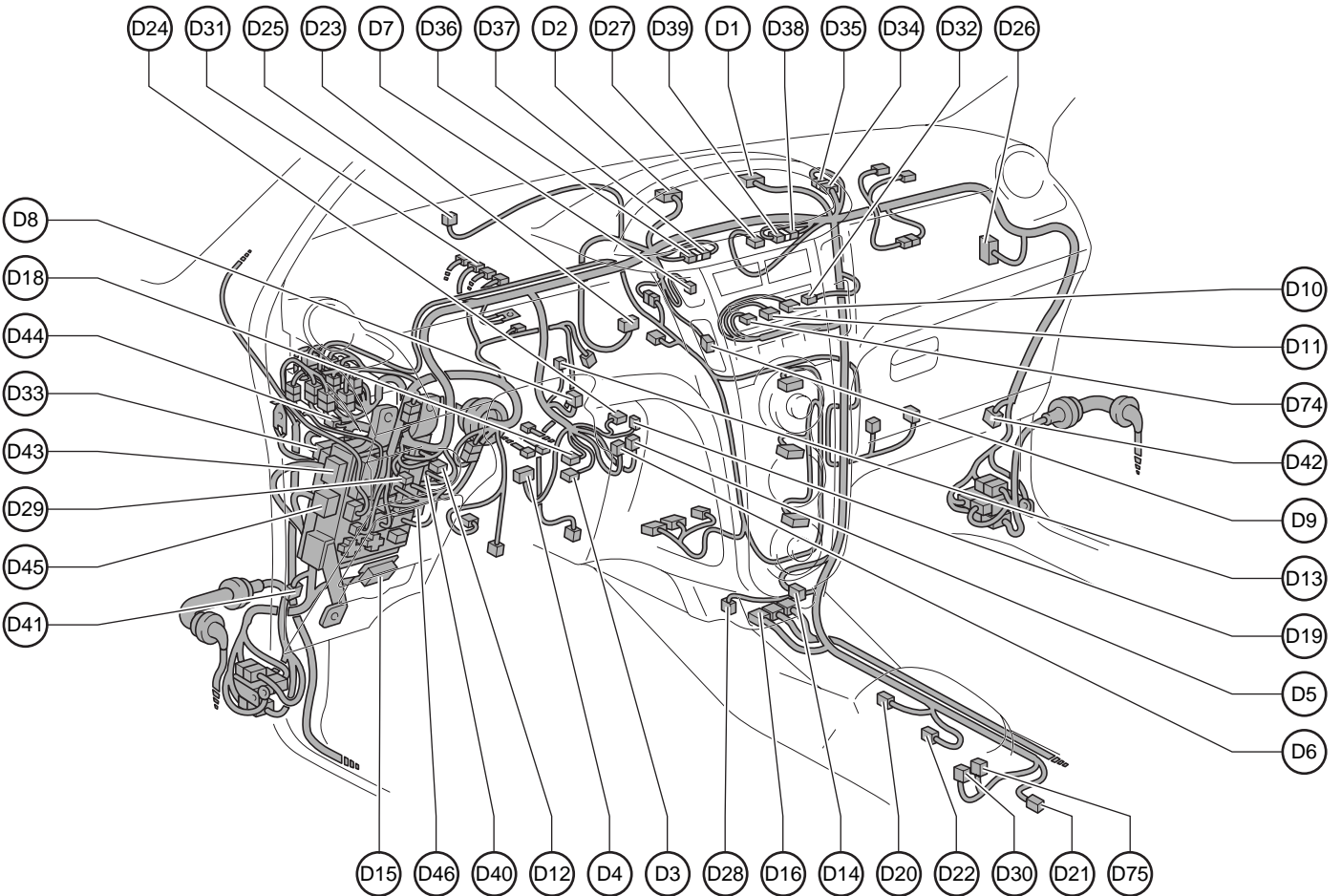
W 2 Airbag Squib (Steering Wheel Pad)
 Spiral Cable

b 1 Power Steering ECU
 Power Steering Motor

c 1 Power Steering ECU
 Power Steering Torque Sensor

Position of Parts in Instrument Panel

[H/B]



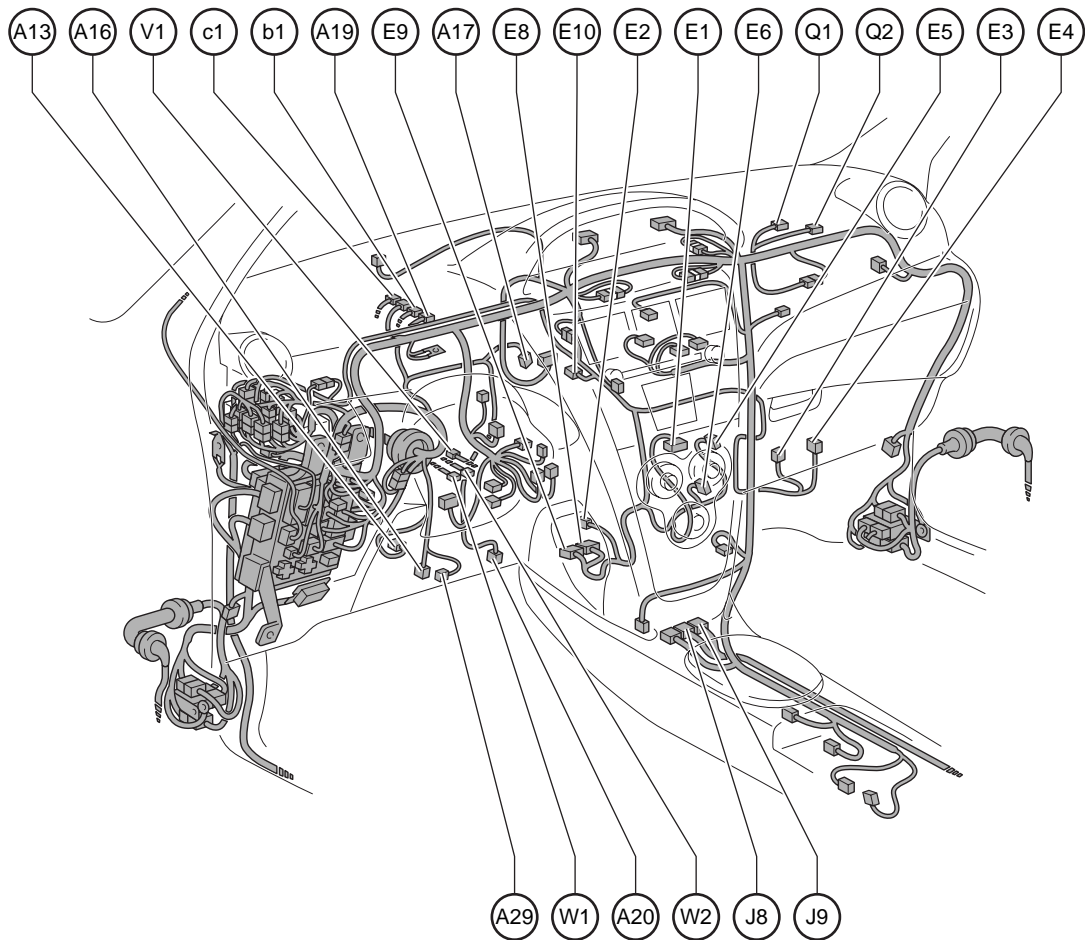
D 1 Combination Meter
 D 2 Combination Meter
 D 3 Spiral Cable
 D 4 Headlamp Dimmer SW Assembly
 D 5 Windshield Wiper SW Assembly
 D 6 Windshield Wiper SW Assembly
 D 7 Hazard Warning Signal SW
 D 8 Ignition SW
 D 9 Running Light Relay
 D10 Radio Receiver Assembly
 D11 Radio Receiver Assembly
 D12 Outer Mirror SW
 D13 Key Interlock Solenoid
 D14 Cigarette Lighter or Power Outlet
 D15 Data Link Connector 3
 D16 Airbag Sensor Assembly Center
 D18 Spiral Cable
 D19 Unlock Warning SW
 D20 A/T Shift Lever Illumination
 D21 Parking Brake SW
 D22 Shift Lock Control ECU
 D23 Transponder Key ECU
 D24 Transponder Key Amplifier
 D25 Security Indicator Lamp

D26 Theft Warning ECU
 D27 Passenger Seat Belt Warning Lamp
 D28 Oxygen Sensor (Bank 1 Sensor 2)
 D29 Light Control Rheostat
 D30 Door Lock Control SW
 D31 Power Steering ECU
 D32 Antenna Amplifier
 D33 Main Body ECU
 D34 Junction Connector
 D35 Junction Connector
 D36 Junction Connector
 D37 Junction Connector
 D38 Junction Connector
 D39 Junction Connector
 D40 Junction Connector
 D41 Junction Connector
 D42 Junction Connector
 D43 Fuse Block
 D44 Diode (Starter)
 D45 ACC Cut Relay
 D46 Front Fog Light Relay
 D74 Radio Receiver Assembly
 D75 Stereo Jack Adapter

G ELECTRICAL WIRING ROUTING

Position of Parts in Instrument Panel

[S/D]



A13 Stop Lamp SW
 A16 Clutch Start SW
 A17 PTC Heater
 A19 Power Steering ECU
 A20 Accelerator Position Sensor
 A29 Cruise Control Clutch SW

E 1 Blower SW
 E 2 A/C Thermistor No.1
 E 3 Blower Resistor
 E 4 Blower Motor
 E 5 A/C SW
 E 6 Rear Window Defogger SW
 E 8 A/C Amplifier
 E 9 A/C Amplifier
 E10 Junction Connector

J 8 Airbag Sensor Assembly Center
 J 9 Airbag Sensor Assembly Center

Q 1 Airbag Squib (Front Passenger's Airbag Assembly)
 Q 2 Airbag Squib (Front Passenger's Airbag Assembly)

V 1 Cruise Control SW
 Spiral Cable
 Steering Pad SW

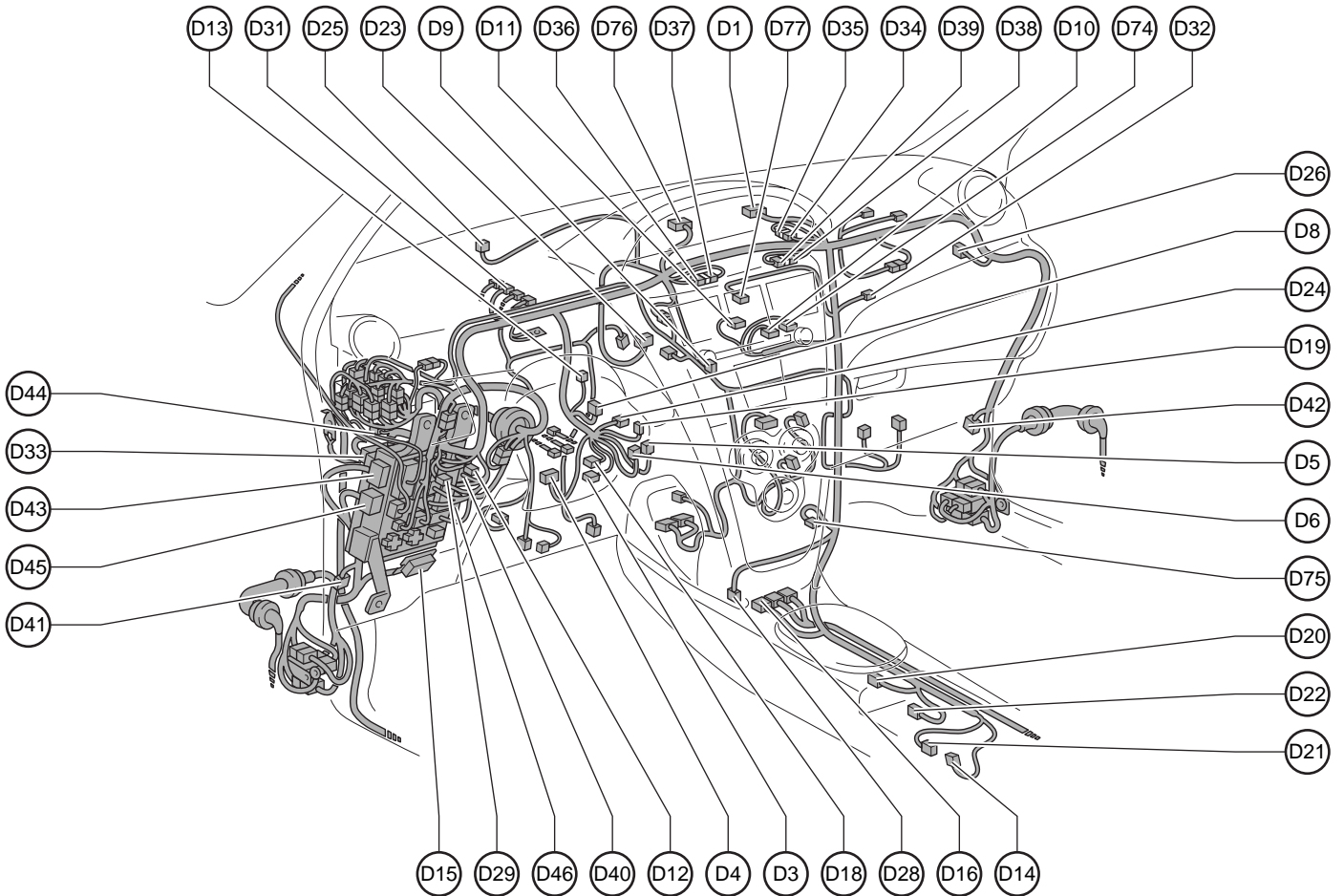
W 1 Airbag Squib (Steering Wheel Pad)
 Spiral Cable
 W 2 Airbag Squib (Steering Wheel Pad)
 Spiral Cable

b 1 Power Steering ECU
 Power Steering Motor

c 1 Power Steering ECU
 Power Steering Torque Sensor

Position of Parts in Instrument Panel

[S/D]

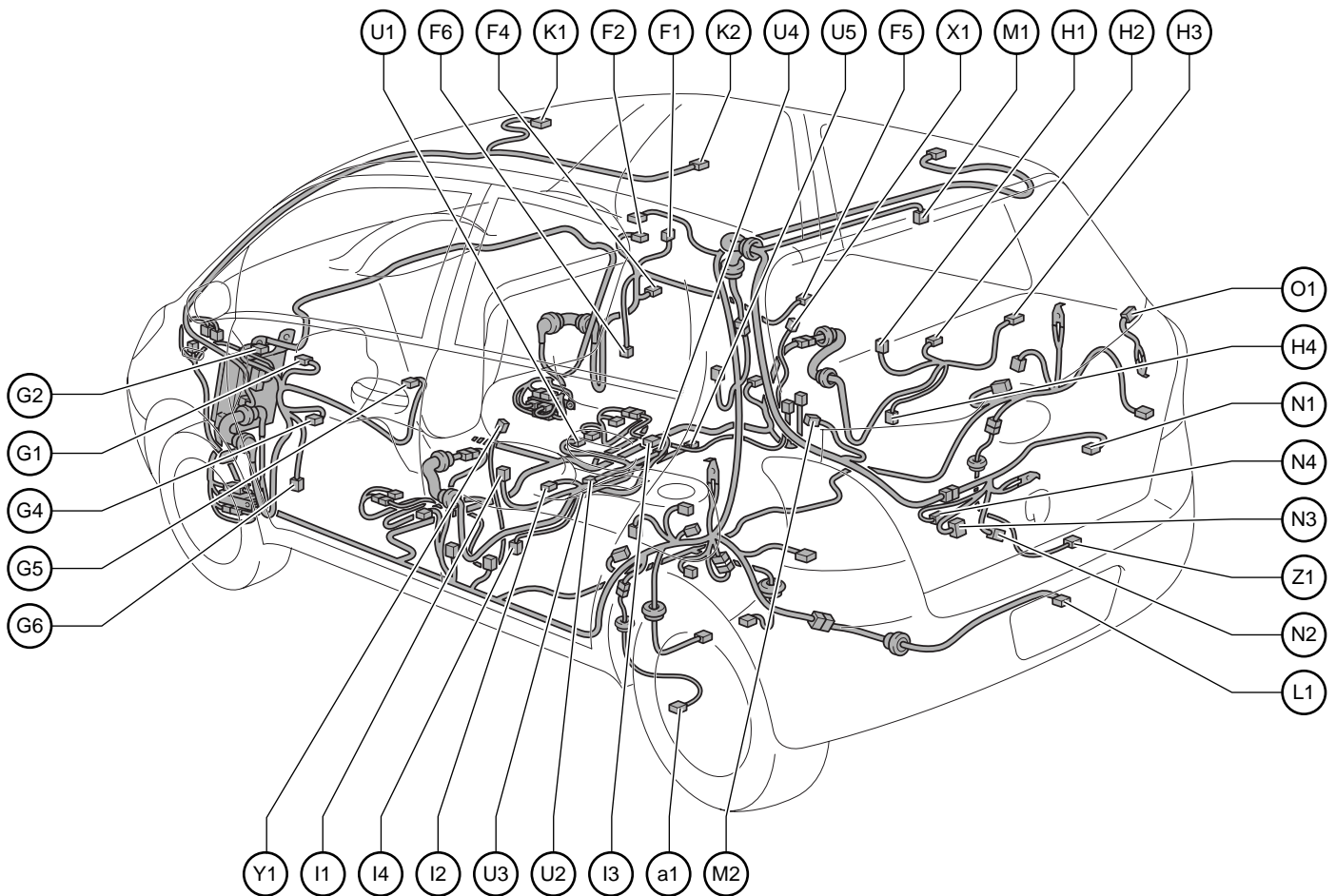


- | | | | |
|-----|-----------------------------------|-----|---------------------------------|
| D 1 | Combination Meter | D28 | Oxygen Sensor (Bank 1 Sensor 2) |
| D 3 | Spiral Cable | D29 | Light Control Rheostat |
| D 4 | Headlamp Dimmer SW Assembly | D31 | Power Steering ECU |
| D 5 | Windshield Wiper SW Assembly | D32 | Antenna Amplifier |
| D 6 | Windshield Wiper SW Assembly | D33 | Main Body ECU |
| D 8 | Ignition SW | D34 | Junction Connector |
| D 9 | Running Light Relay | D35 | Junction Connector |
| D10 | Radio Receiver Assembly | D36 | Junction Connector |
| D11 | Radio Receiver Assembly | D37 | Junction Connector |
| D12 | Outer Mirror SW | D38 | Junction Connector |
| D13 | Key Interlock Solenoid | D39 | Junction Connector |
| D14 | Cigarette Lighter or Power Outlet | D40 | Junction Connector |
| D15 | Data Link Connector 3 | D41 | Junction Connector |
| D16 | Airbag Sensor Assembly Center | D42 | Junction Connector |
| D18 | Spiral Cable | D43 | Fuse Block |
| D19 | Unlock Warning SW | D44 | Diode (Starter) |
| D20 | A/T Shift Lever Illumination | D45 | ACC Cut Relay |
| D21 | Parking Brake SW | D46 | Front Fog Light Relay |
| D22 | Shift Lock Control ECU | D74 | Radio Receiver Assembly |
| D23 | Transponder Key ECU | D75 | Stereo Jack Adapter |
| D24 | Transponder Key Amplifier | D76 | Combination Meter |
| D25 | Security Indicator Lamp | D77 | Hazard Warning Signal SW |
| D26 | Theft Warning ECU | | |

G ELECTRICAL WIRING ROUTING

Position of Parts in Body

[5-Door]



- F 1 Power Window SW (Front RH)
- F 2 Outer Rear View Mirror (RH)
- F 4 Power Window Regulator Motor (Front RH)
- F 5 Door Lock Assembly (Front Passenger's Side)
- F 6 Speaker (Front Door RH)

- G 1 Power Window Master SW
- G 2 Outer Rear View Mirror (LH)
- G 4 Power Window Regulator Motor (Front LH)
- G 5 Door Lock Assembly (Driver's Side)
- G 6 Speaker (Front Door LH)

- H 1 Power Window SW (Rear RH)
- H 2 Power Window Regulator Motor (Rear RH)
- H 3 Door Lock Assembly (Rear RH)
- H 4 Speaker (Rear RH)

- I 1 Power Window SW (Rear LH)
- I 2 Power Window Regulator Motor (Rear LH)
- I 3 Door Lock Assembly (Rear LH)
- I 4 Speaker (Rear LH)

- K 1 Map Lamp
- K 2 Room Lamp (Center)

- L 1 License Plate Lamp
- M 1 Center Stop Lamp
- M 2 Rear Window Defogger

- N 1 Rear Wiper Motor Assembly
- N 2 Back Door Courtesy SW
- N 3 Back Door Lock Assembly
- N 4 Back Door Position SW

- O 1 Rear Window Defogger

- U 1 Occupant Classification ECU
- U 2 Occupant Classification Sensor (Front LH)
- U 3 Occupant Classification Sensor (Rear LH)
- U 4 Occupant Classification Sensor (Front RH)
- U 5 Occupant Classification Sensor (Rear RH)

- X 1 Side Airbag Squib (RH)

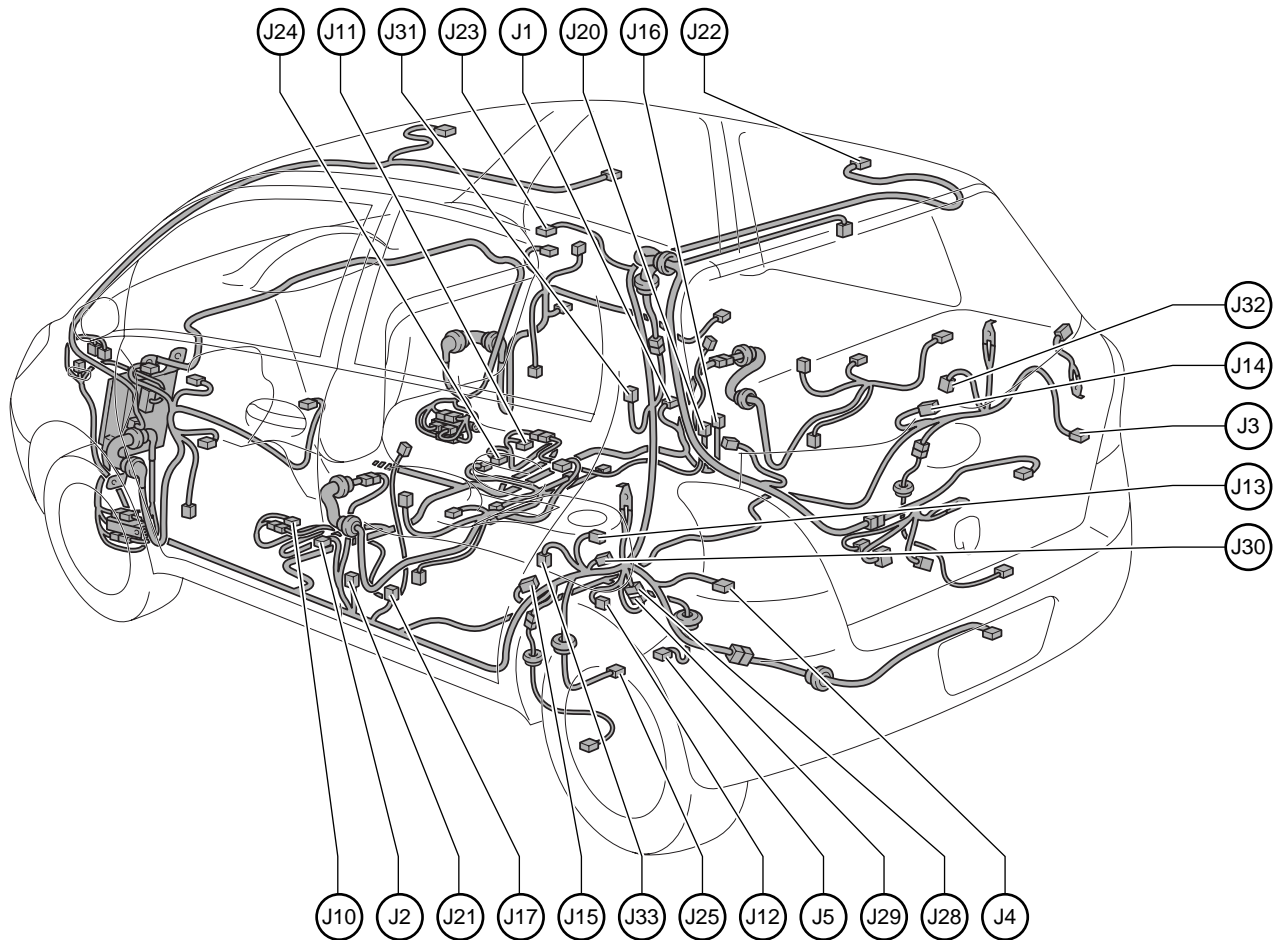
- Y 1 Side Airbag Squib (LH)

- Z 1 Speed Sensor (Rear RH)

- a 1 Speed Sensor (Rear LH)

Position of Parts in Body

[5-Door]

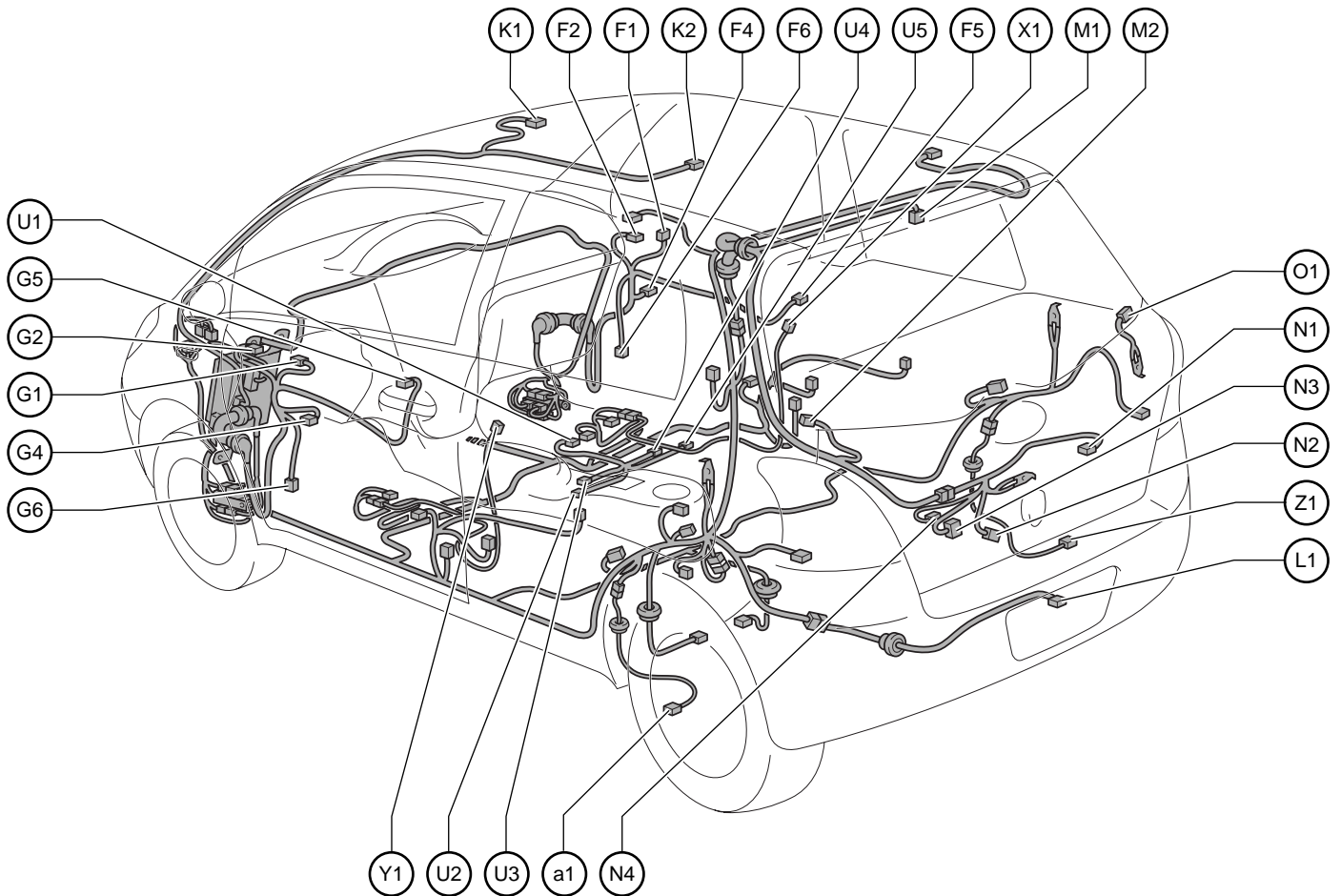


- | | |
|--|---------------------------------------|
| J 1 Door Courtesy SW (Front RH) | J 20 Pretensioner (RH) |
| J 2 Door Courtesy SW (Front LH) | J 21 Pretensioner (LH) |
| J 3 Rear Combination Lamp (RH) | J 22 Curtain Shield Airbag Squib (RH) |
| J 4 Rear Combination Lamp (LH) | J 23 Curtain Shield Airbag Squib (LH) |
| J 5 Fuel Suction Pump and Gage Assembly | J 24 Occupant Classification ECU |
| J 10 Front Seat Inner Belt (Driver's Side) | J 25 Canister Pump Module |
| J 11 Front Seat Inner Belt Assembly (Front RH) | J 28 Junction Connector |
| J 12 Room Lamp (Luggage) | J 29 Junction Connector |
| J 13 Door Control Receiver | J 30 Diode (Room Lamp) |
| J 14 Airbag Sensor (Rear RH) | J 31 Noise Filter |
| J 15 Airbag Sensor (Rear LH) | J 32 Door Courtesy SW (Rear RH) |
| J 16 Side Airbag Sensor (RH) | J 33 Door Courtesy SW (Rear LH) |
| J 17 Side Airbag Sensor (LH) | |

G ELECTRICAL WIRING ROUTING

Position of Parts in Body

[3-Door]



- F 1 Power Window SW (Front RH)
- F 2 Outer Rear View Mirror (RH)
- F 4 Power Window Regulator Motor (Front RH)
- F 5 Door Lock Assembly (Front Passenger's Side)
- F 6 Speaker (Front Door RH)

- G 1 Power Window Master SW
- G 2 Outer Rear View Mirror (LH)
- G 4 Power Window Regulator Motor (Front LH)
- G 5 Door Lock Assembly (Driver's Side)
- G 6 Speaker (Front Door LH)

- K 1 Map Lamp
- K 2 Room Lamp (Center)

- L 1 License Plate Lamp

- M 1 Center Stop Lamp
- M 2 Rear Window Defogger

- N 1 Rear Wiper Motor Assembly
- N 2 Back Door Courtesy SW
- N 3 Back Door Lock Assembly
- N 4 Back Door Position SW

- O 1 Rear Window Defogger

- U 1 Occupant Classification ECU
- U 2 Occupant Classification Sensor (Front LH)
- U 3 Occupant Classification Sensor (Rear LH)
- U 4 Occupant Classification Sensor (Front RH)
- U 5 Occupant Classification Sensor (Rear RH)

- X 1 Side Airbag Squib (RH)

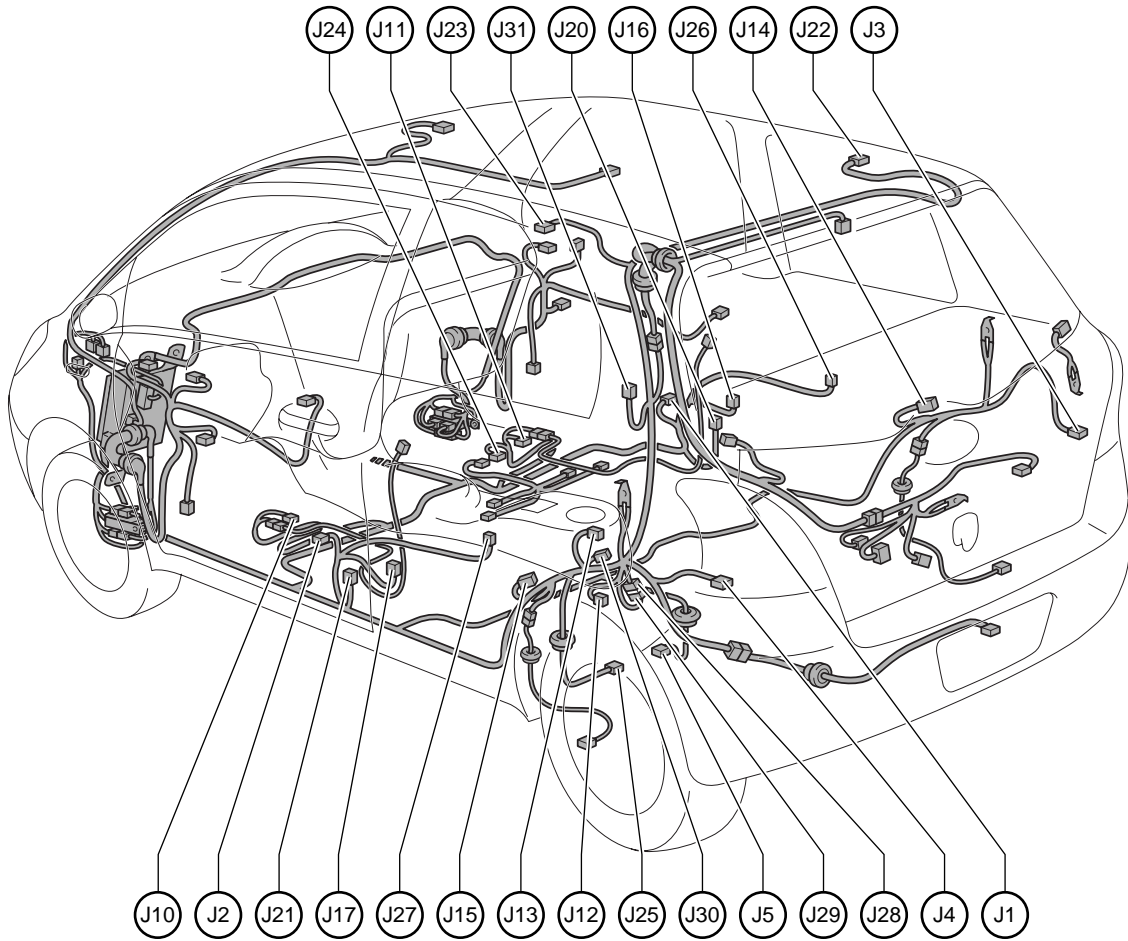
- Y 1 Side Airbag Squib (LH)

- Z 1 Speed Sensor (Rear RH)

- a 1 Speed Sensor (Rear LH)

Position of Parts in Body

[3-Door]

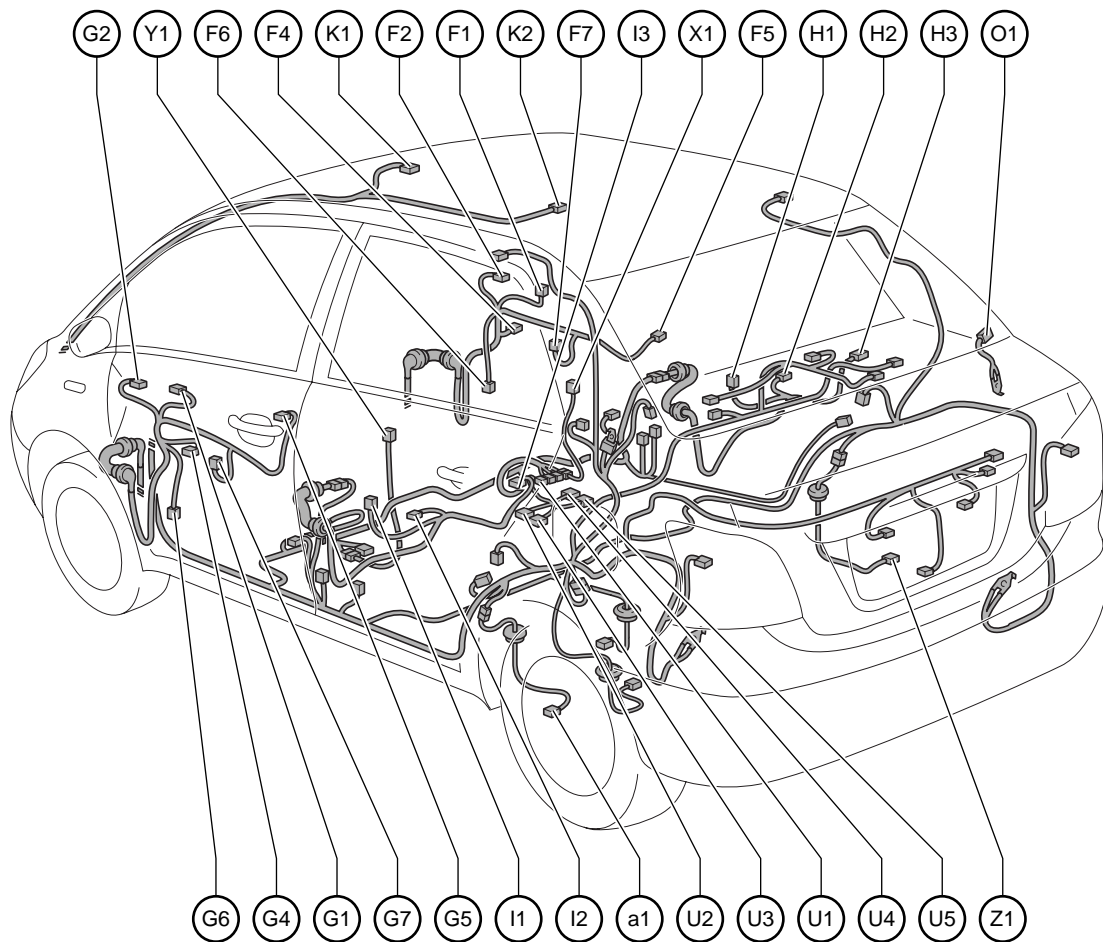


- | | |
|--|---------------------------------------|
| J 1 Door Courtesy SW (Front RH) | J 20 Pretensioner (RH) |
| J 2 Door Courtesy SW (Front LH) | J 21 Pretensioner (LH) |
| J 3 Rear Combination Lamp (RH) | J 22 Curtain Shield Airbag Squib (RH) |
| J 4 Rear Combination Lamp (LH) | J 23 Curtain Shield Airbag Squib (LH) |
| J 5 Fuel Suction Pump and Gage Assembly | J 24 Occupant Classification ECU |
| J 10 Front Seat Inner Belt (Driver's Side) | J 25 Canister Pump Module |
| J 11 Front Seat Inner Belt Assembly (Front RH) | J 26 Speaker (Rear RH) |
| J 12 Room Lamp (Luggage) | J 27 Speaker (Rear LH) |
| J 13 Door Control Receiver | J 28 Junction Connector |
| J 14 Airbag Sensor (Rear RH) | J 29 Junction Connector |
| J 15 Airbag Sensor (Rear LH) | J 30 Diode (Room Lamp) |
| J 16 Side Airbag Sensor (RH) | J 31 Noise Filter |
| J 17 Side Airbag Sensor (LH) | |

G ELECTRICAL WIRING ROUTING

Position of Parts in Body

[4-Door]



- F 1 Power Window SW (Front RH)
- F 2 Outer Rear View Mirror (RH)
- F 4 Power Window Regulator Motor (Front RH)
- F 5 Door Lock Assembly (Front Passenger's Side)
- F 6 Speaker (Front Door RH)
- F 7 Door Lock Control SW (Front Passenger's Side)

- G 1 Power Window Master SW
- G 2 Outer Rear View Mirror (LH)
- G 4 Power Window Regulator Motor (Front LH)
- G 5 Door Lock Assembly (Driver's Side)
- G 6 Speaker (Front Door LH)
- G 7 Door Lock Control SW (Driver's Side)

- H 1 Power Window SW (Rear RH)
- H 2 Power Window Regulator Motor (Rear RH)
- H 3 Door Lock Assembly (Rear RH)

- I 1 Power Window SW (Rear LH)
- I 2 Power Window Regulator Motor (Rear LH)
- I 3 Door Lock Assembly (Rear LH)

- K 1 Map Lamp
- K 2 Room Lamp (Center)
- O 1 Rear Window Defogger

- U 1 Occupant Classification ECU
- U 2 Occupant Classification Sensor (Front LH)
- U 3 Occupant Classification Sensor (Rear LH)
- U 4 Occupant Classification Sensor (Front RH)
- U 5 Occupant Classification Sensor (Rear RH)

- X 1 Side Airbag Squib (RH)

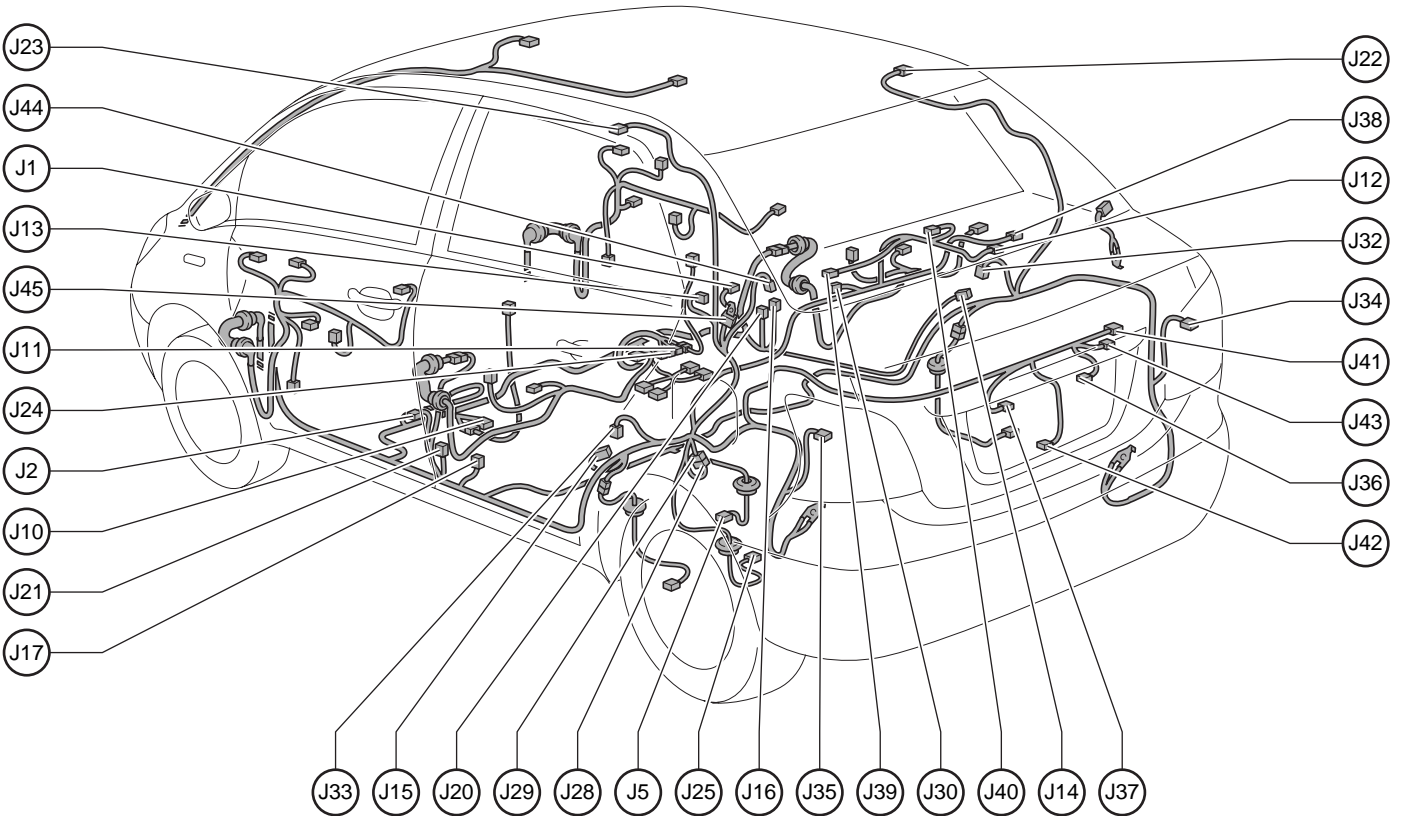
- Y 1 Side Airbag Squib (LH)

- Z 1 Speed Sensor (Rear RH)

- a 1 Speed Sensor (Rear LH)

Position of Parts in Body

[4-Door]



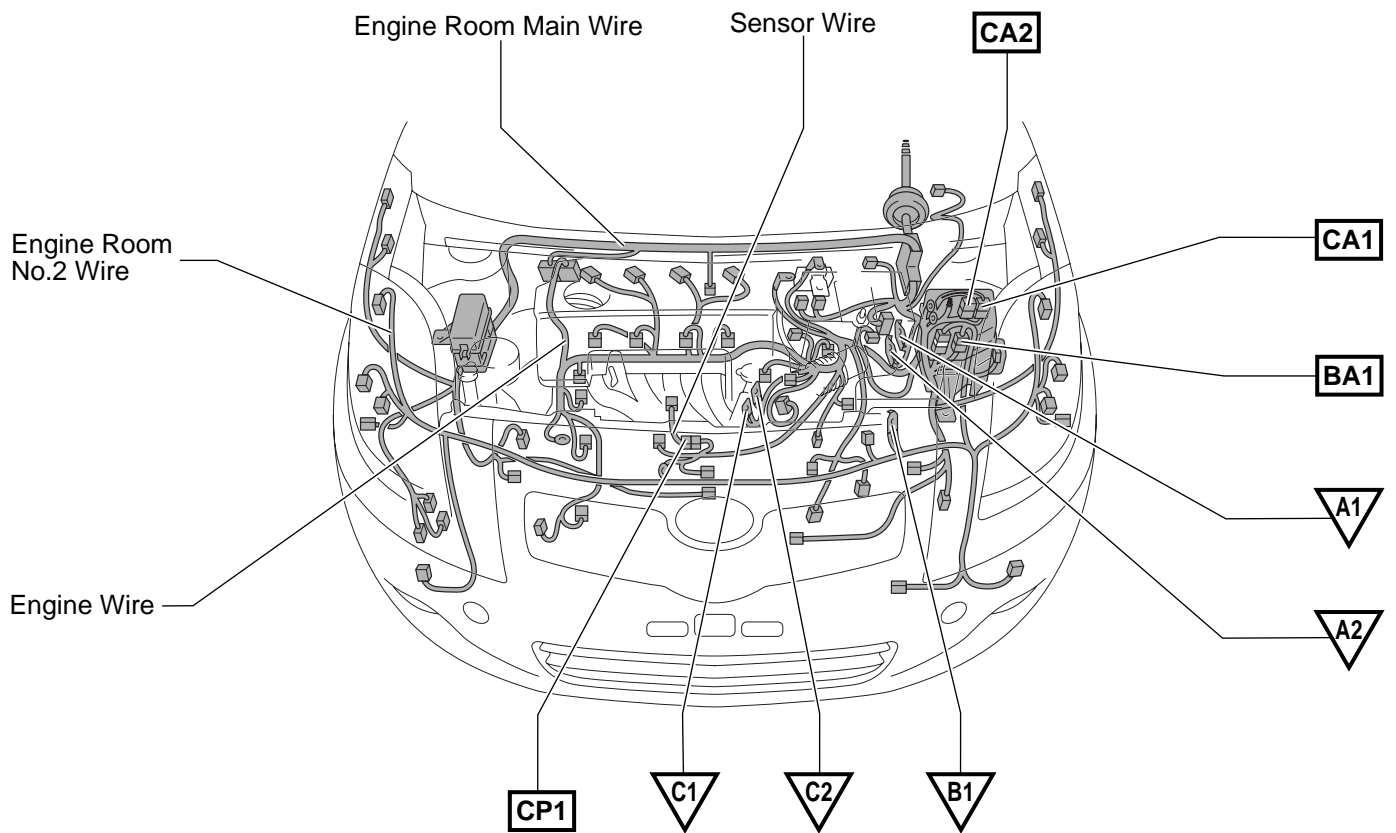
- | | |
|--|-----------------------------------|
| J 1 Door Courtesy SW (Front RH) | J 28 Junction Connector |
| J 2 Door Courtesy SW (Front LH) | J 29 Junction Connector |
| J 5 Fuel Suction Pump and Gage Assembly | J 30 Diode (Room Lamp) |
| J 10 Front Seat Inner Belt (Driver's Side) | J 32 Door Courtesy SW (Rear RH) |
| J 11 Front Seat Inner Belt Assembly (Front RH) | J 33 Door Courtesy SW (Rear LH) |
| J 12 Room Lamp (Luggage) | J 34 Rear Combination Lamp (RH) |
| J 13 Door Control Receiver | J 35 Rear Combination Lamp (LH) |
| J 14 Airbag Sensor (Rear RH) | J 36 License Plate Lamp (RH) |
| J 15 Airbag Sensor (Rear LH) | J 37 License Plate Lamp (LH) |
| J 16 Side Airbag Sensor (RH) | J 38 Speaker (Rear RH) |
| J 17 Side Airbag Sensor (LH) | J 39 Speaker (Rear LH) |
| J 20 Pretensioner (RH) | J 40 High Mounted Stop Light |
| J 21 Pretensioner (LH) | J 41 High Mounted Stop Light |
| J 22 Curtain Shield Airbag Squib (RH) | J 42 Door Lock Assembly (Luggage) |
| J 23 Curtain Shield Airbag Squib (LH) | J 43 Door Lock Assembly (Luggage) |
| J 24 Occupant Classification ECU | J 44 Rear Window Defogger |
| J 25 Canister Pump Module | J 45 Noise Filter |

G ELECTRICAL WIRING ROUTING

□ : Location of Connector Joining Wire Harness and Wire Harness

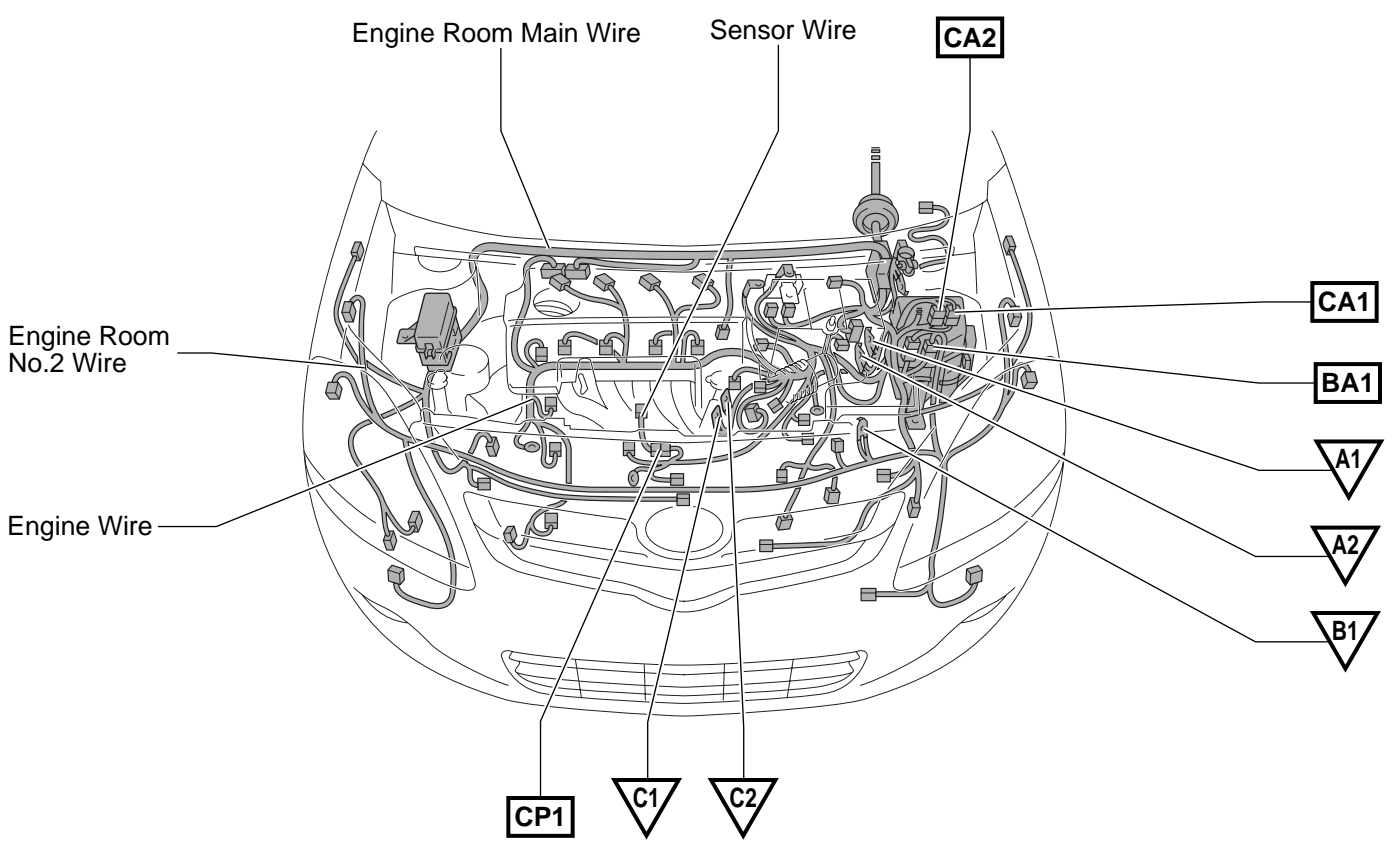
▽ : Location of Ground Points

[H/B]



□ : Location of Connector Joining Wire Harness and Wire Harness
▽ : Location of Ground Points

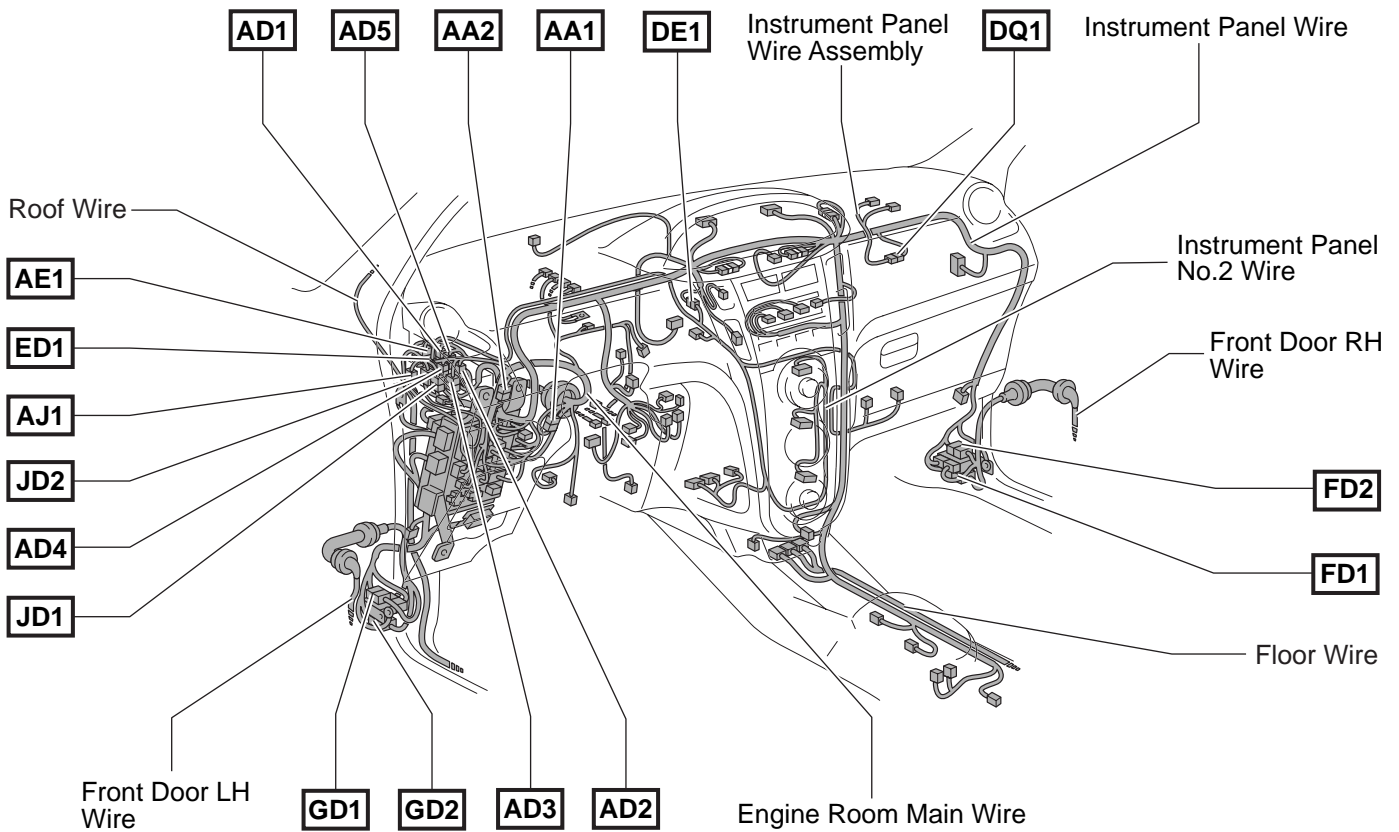
[S/D]



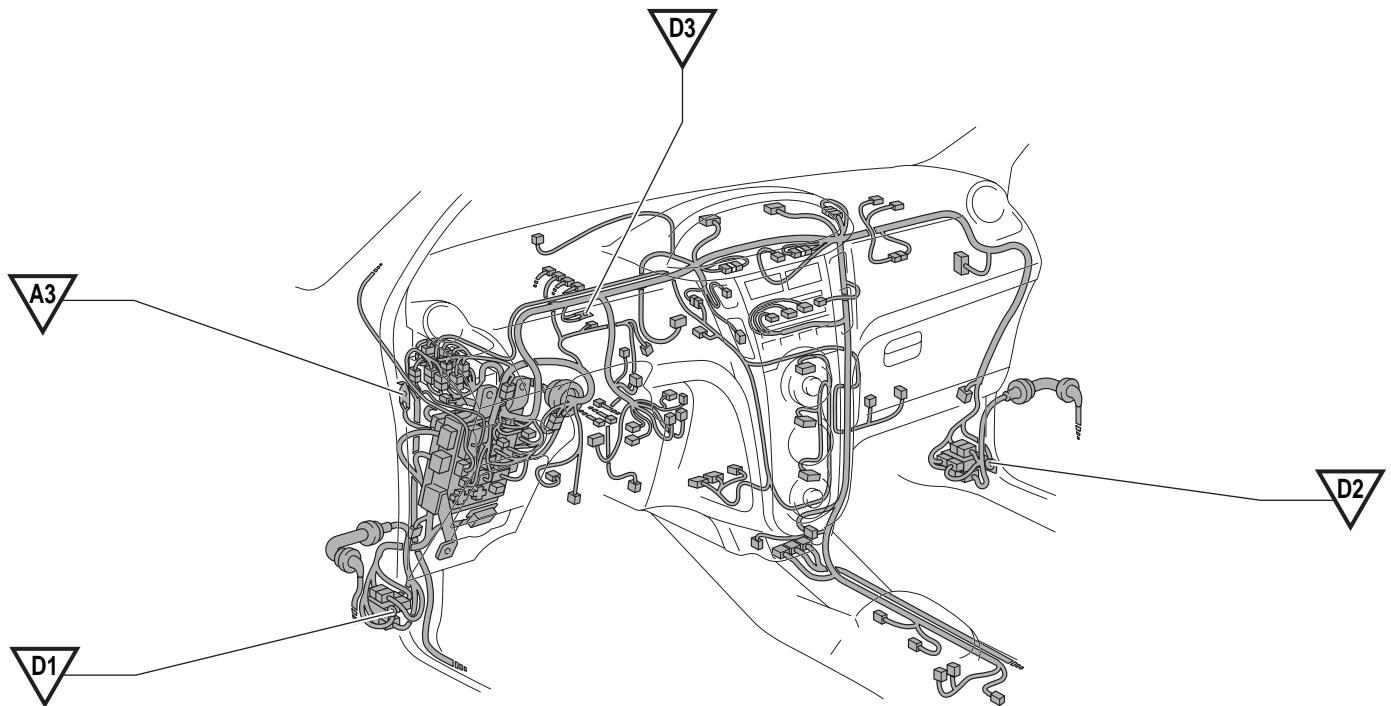
G ELECTRICAL WIRING ROUTING

□ : Location of Connector Joining Wire Harness and Wire Harness

[H/B]

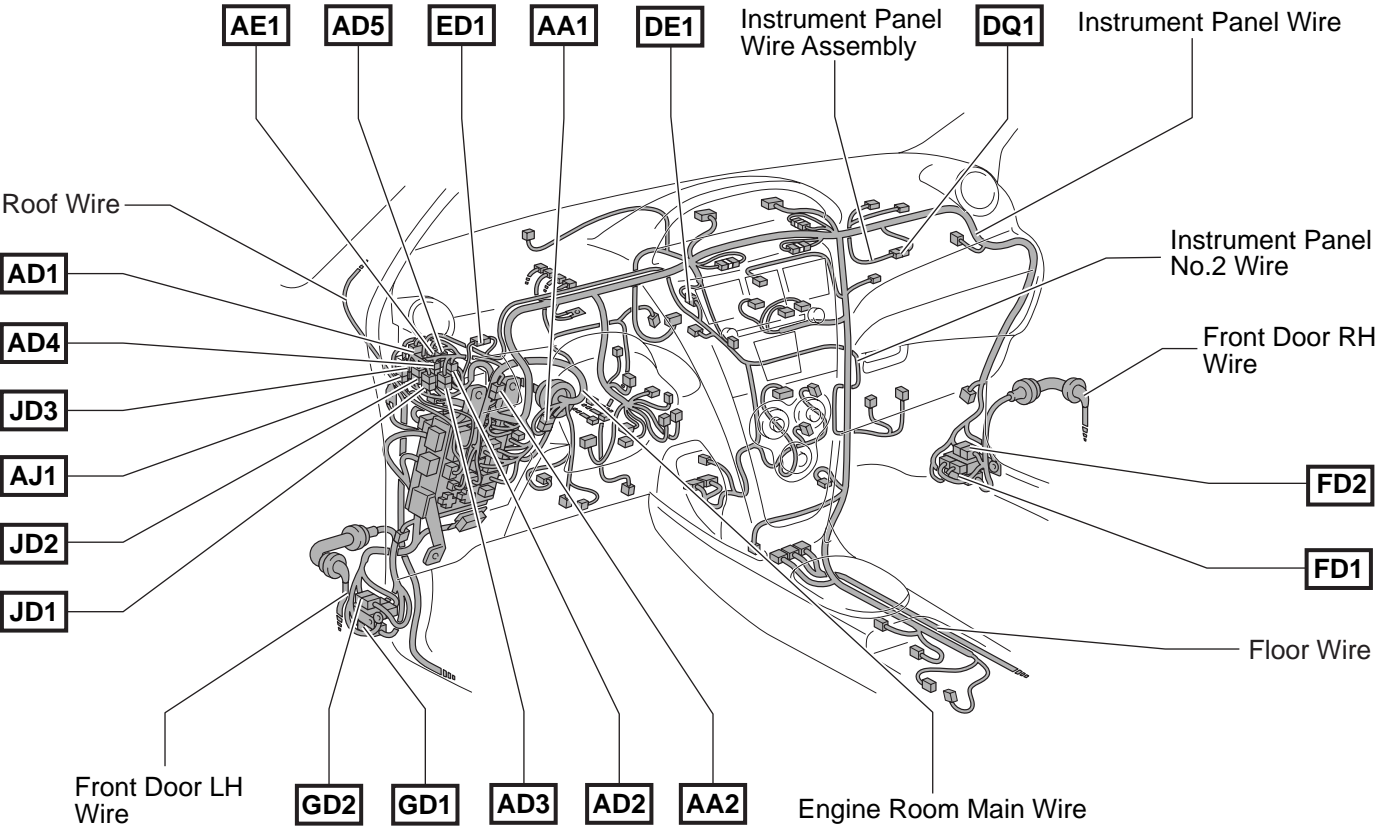


▽ : Location of Ground Points

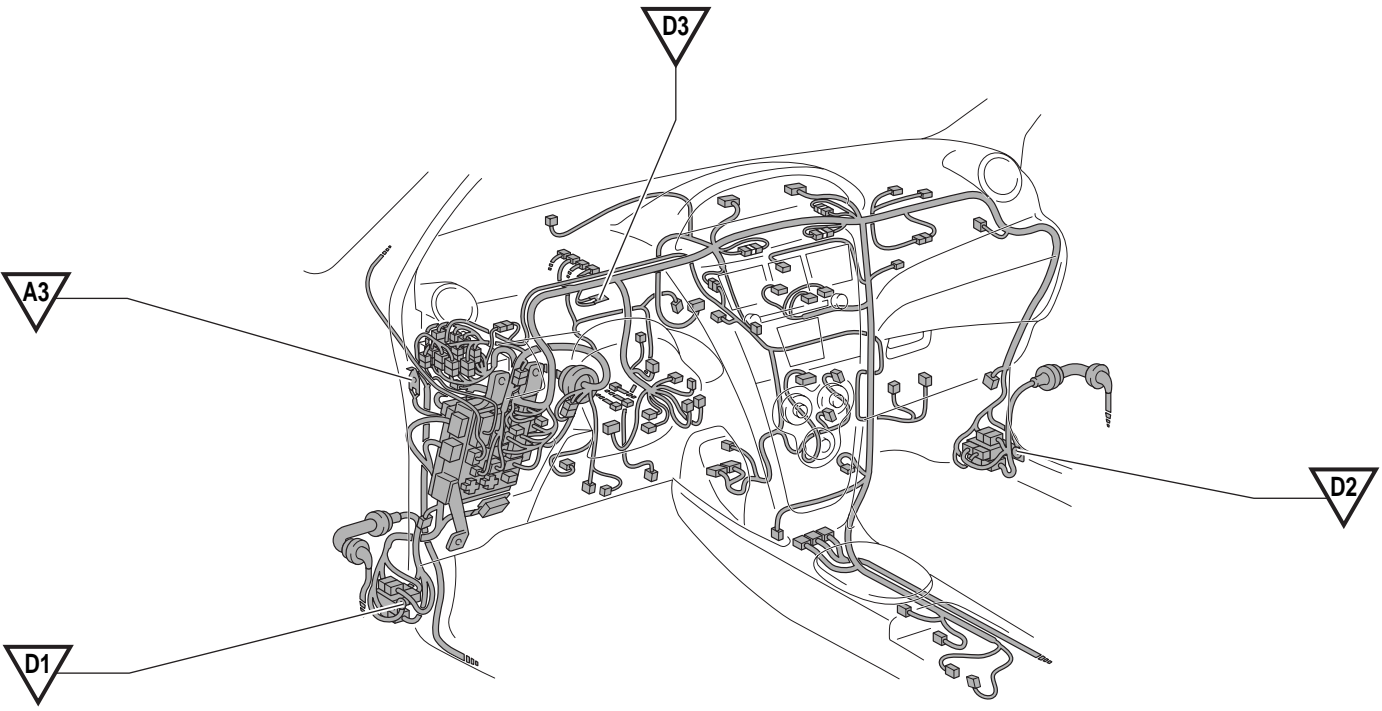


□ : Location of Connector Joining Wire Harness and Wire Harness

[S/D]



▽ : Location of Ground Points

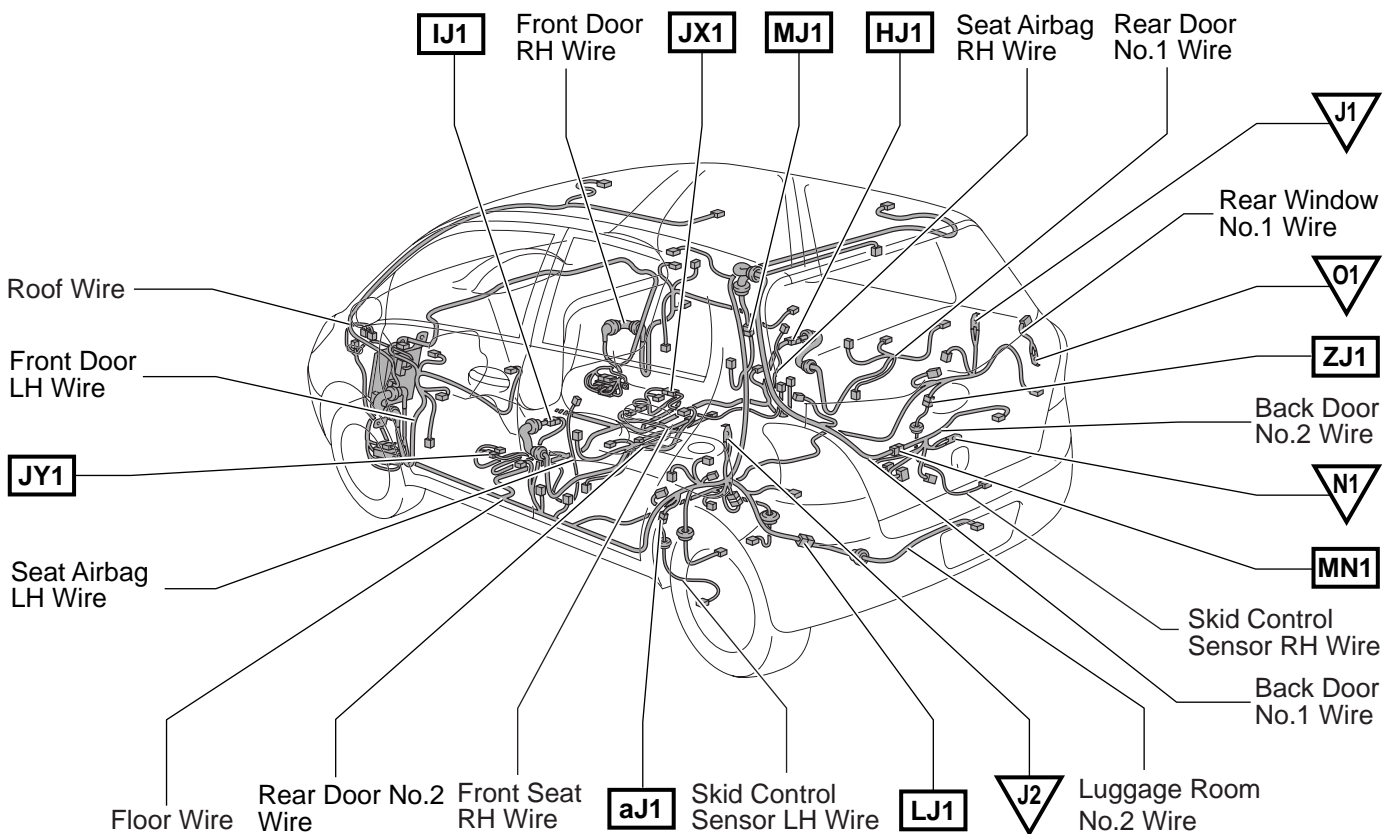


G ELECTRICAL WIRING ROUTING

□ : Location of Connector Joining Wire Harness and Wire Harness

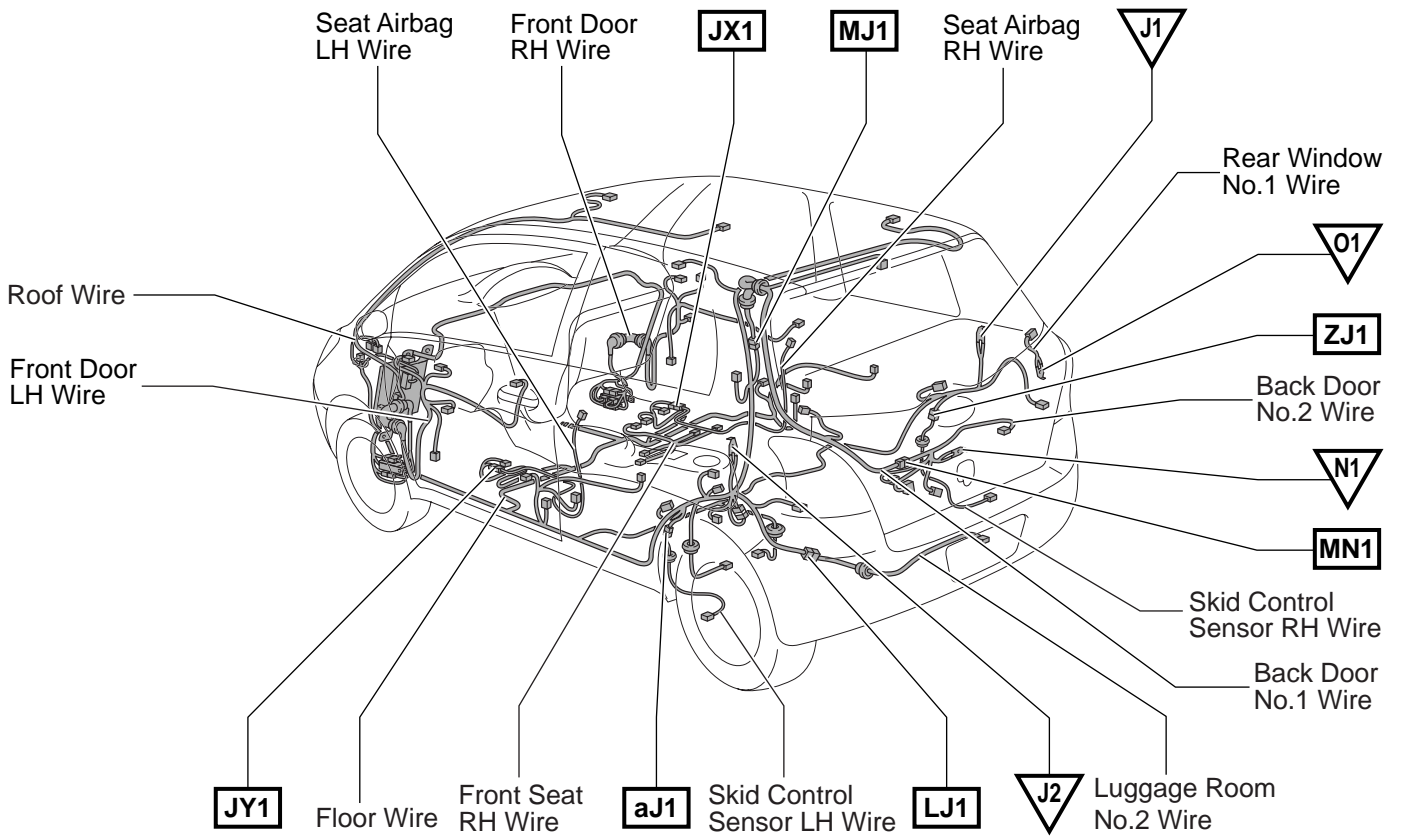
▽ : Location of Ground Points

[5-Door]



□ : Location of Connector Joining Wire Harness and Wire Harness
 ▽ : Location of Ground Points

[3-Door]

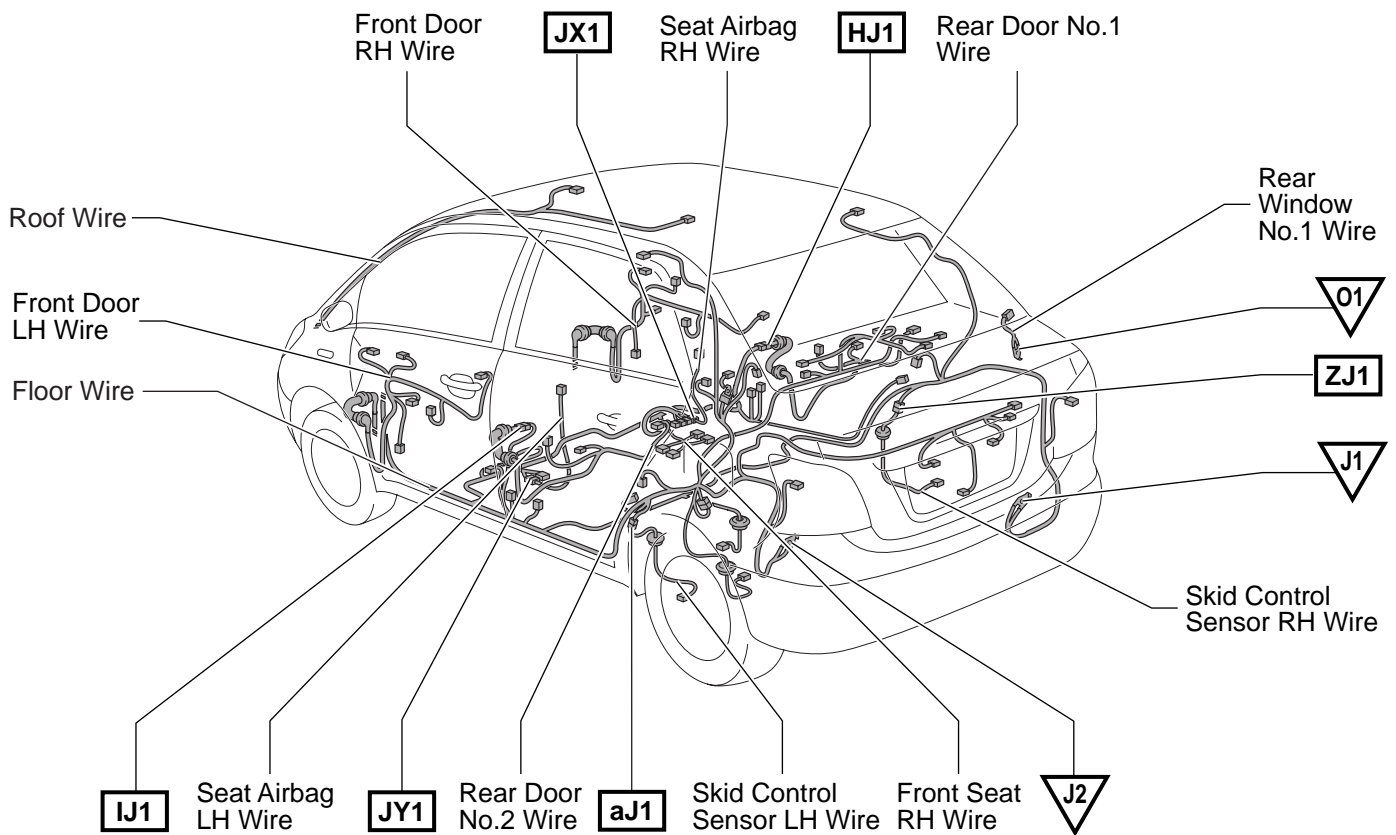


G ELECTRICAL WIRING ROUTING

□ : Location of Connector Joining Wire Harness and Wire Harness

▽ : Location of Ground Points

[4-Door]



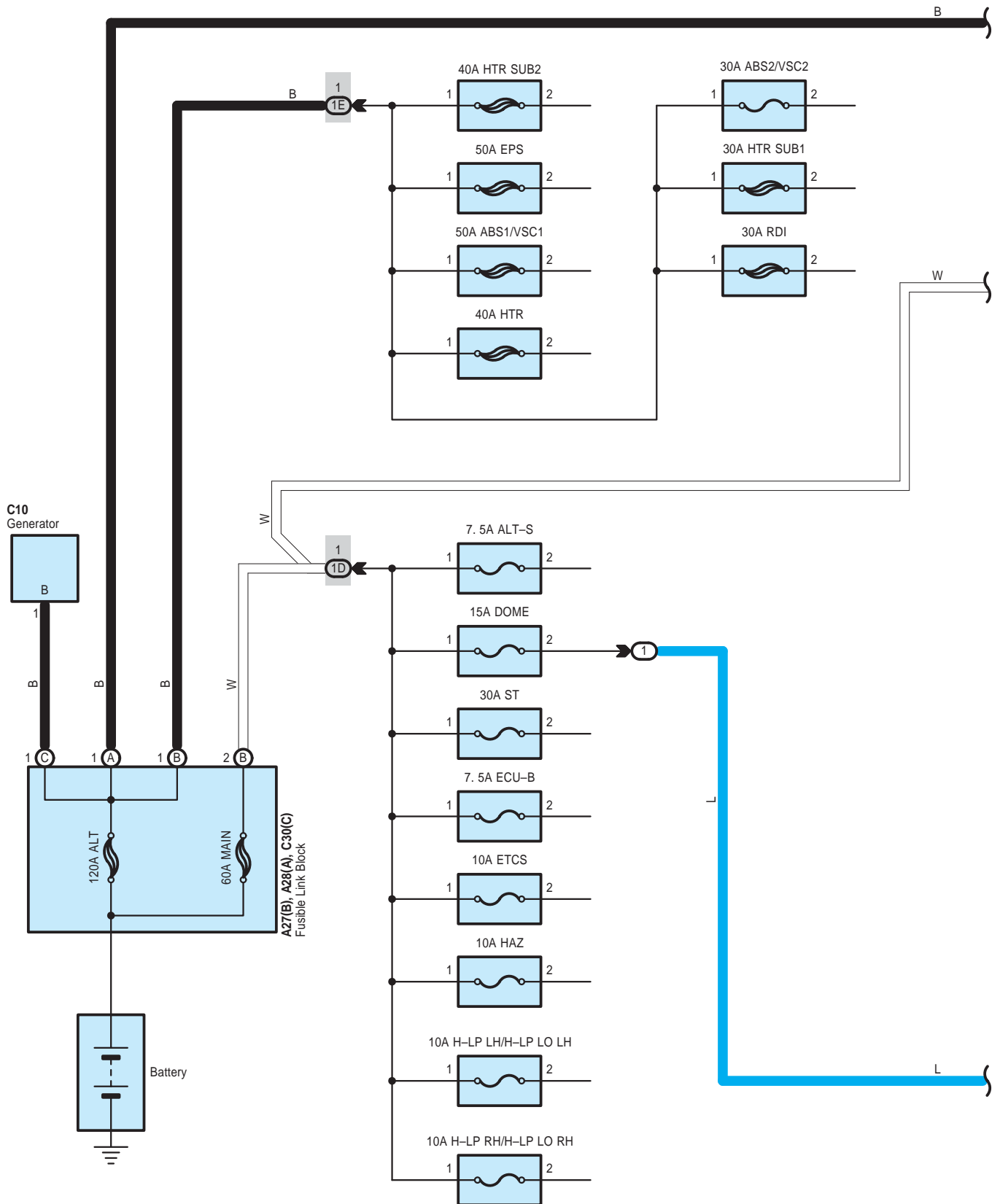
2007 YARIS

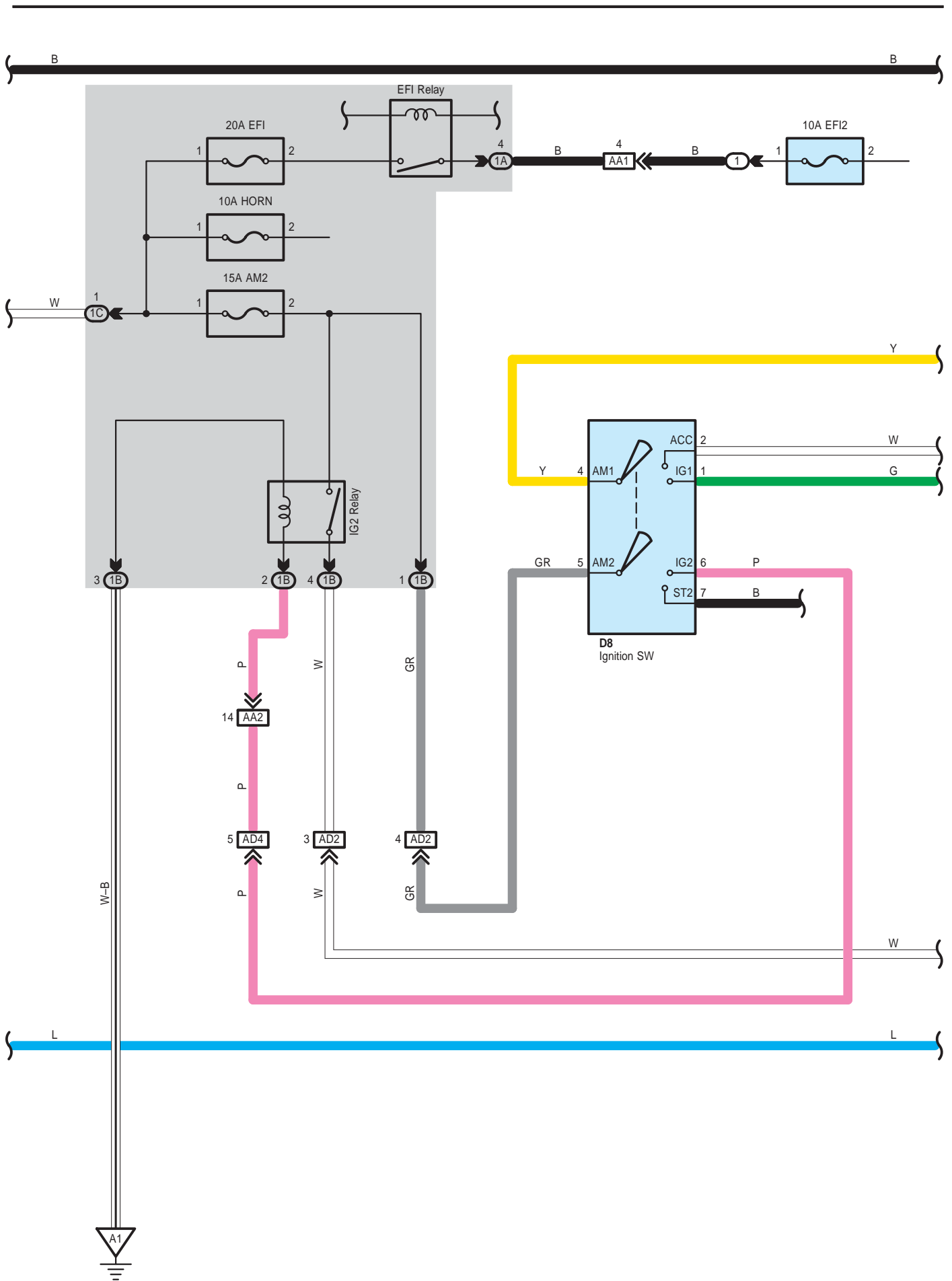
ELECTRICAL WIRING DIAGRAM

SYSTEM CIRCUITS

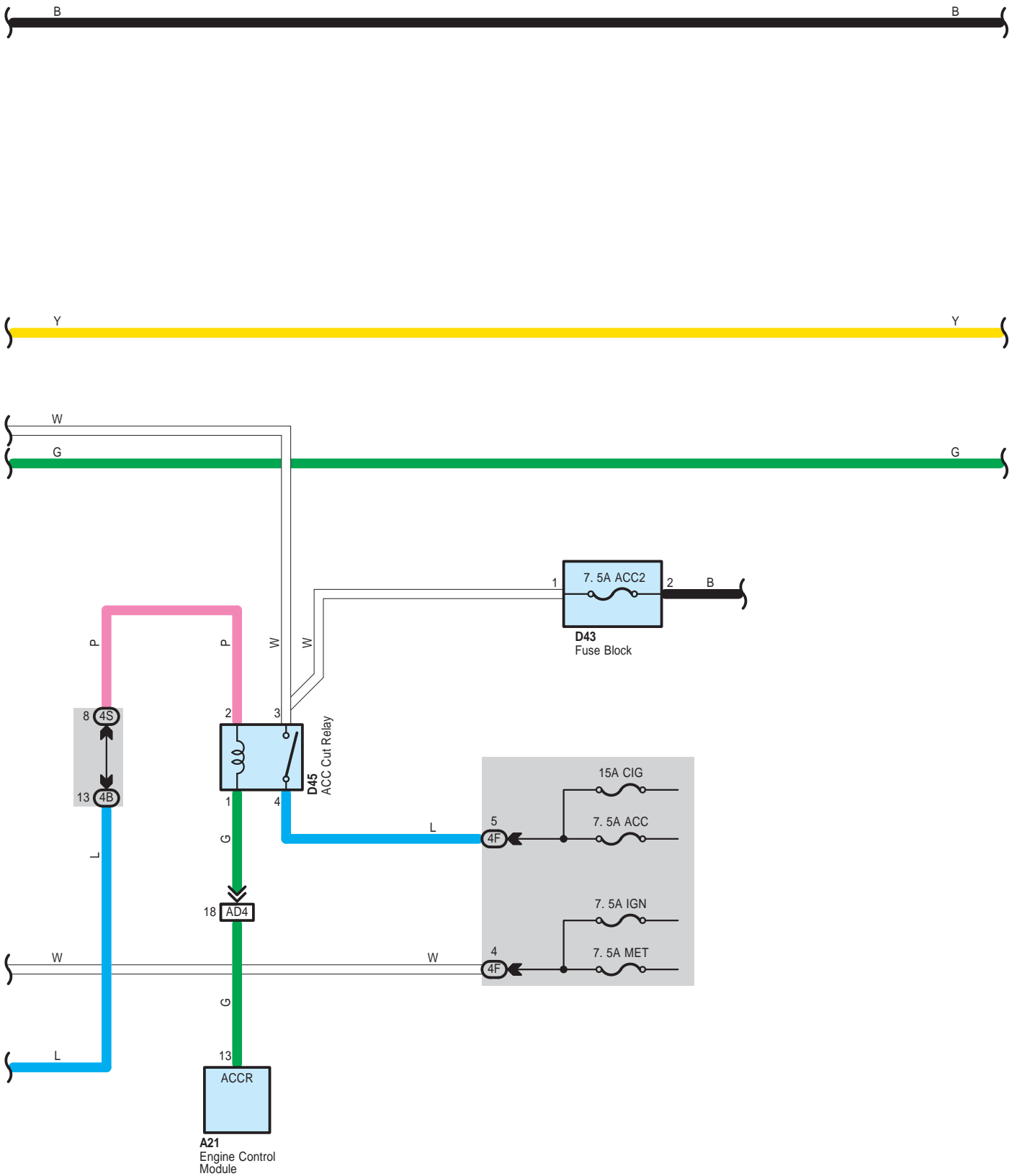
	Page
ABS	154
Air Conditioning	238
Audio System	222
Back-Up Light	140
Charging	78
Cigarette Lighter	220
Combination Meter	226
Cooling Fan	234
Cruise Control	102
Data Link Connector 3	112
Door Lock Control	184
Electronically Controlled Transmission and A/T Indicator	96
Engine Control	84
Engine Immobiliser System	110
EPS	174
Front Fog Light	146
Front Wiper and Washer	208
Headlight	120
Horn	144
Ignition	80
Illumination	134
Interior Light	128
Key Reminder	150
Light Reminder	150
Multiplex Communication System (CAN)	116
Power Outlet	220
Power Source	68
Power Window	178
Rear Window Defogger	216
Rear Wiper and Washer	212
Remote Control Mirror	218
Seat Belt Warning	168
Shift Lock	214
SRS	159
Starting	74
Stop Light	142
Taillight	134
Theft Deterrent	200
Turn Signal and Hazard Warning Light	124
Wireless Door Lock Control	192

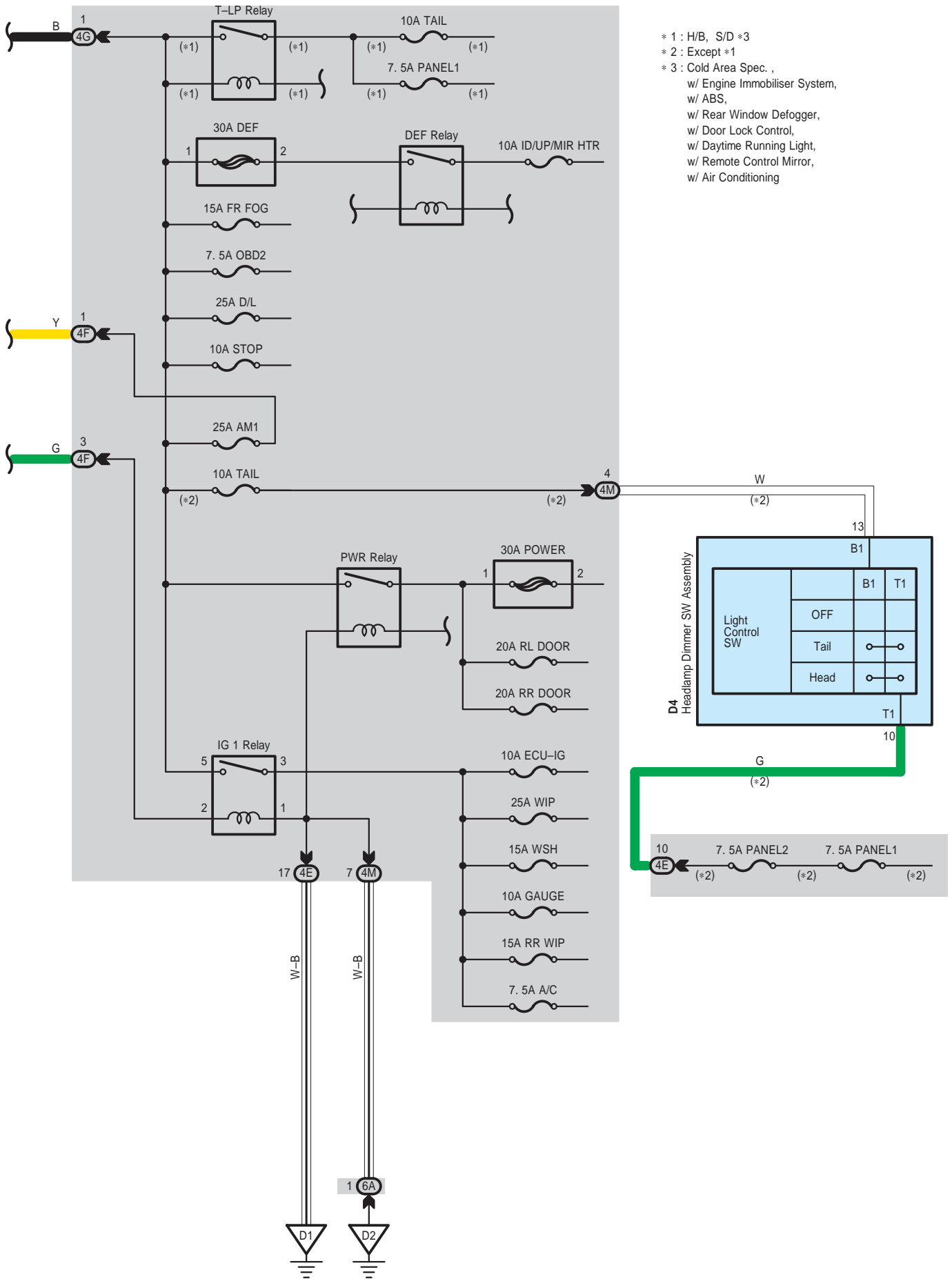
Power Source





Power Source





Power Source

: Parts Location

Code	See Page	Code	See Page	Code	See Page
A21	46 (H/B)	C10	47 (H/B)	D8	51 (H/B)
	48 (S/D)		49 (S/D)		53 (S/D)
A27	B	C30	C	D43	42, 47 (H/B)
					43, 46 (H/B)
					45, 53 (S/D)
A28	A	D4		D45	43, 46 (H/B)
					43, 48 (S/D)
					53 (S/D)

: Relay Blocks

Code	See Page	Relay Blocks (Relay Block Location)
1	24	Engine Room R/B (Engine Compartment Left)

: Junction Block and Wire Harness Connector

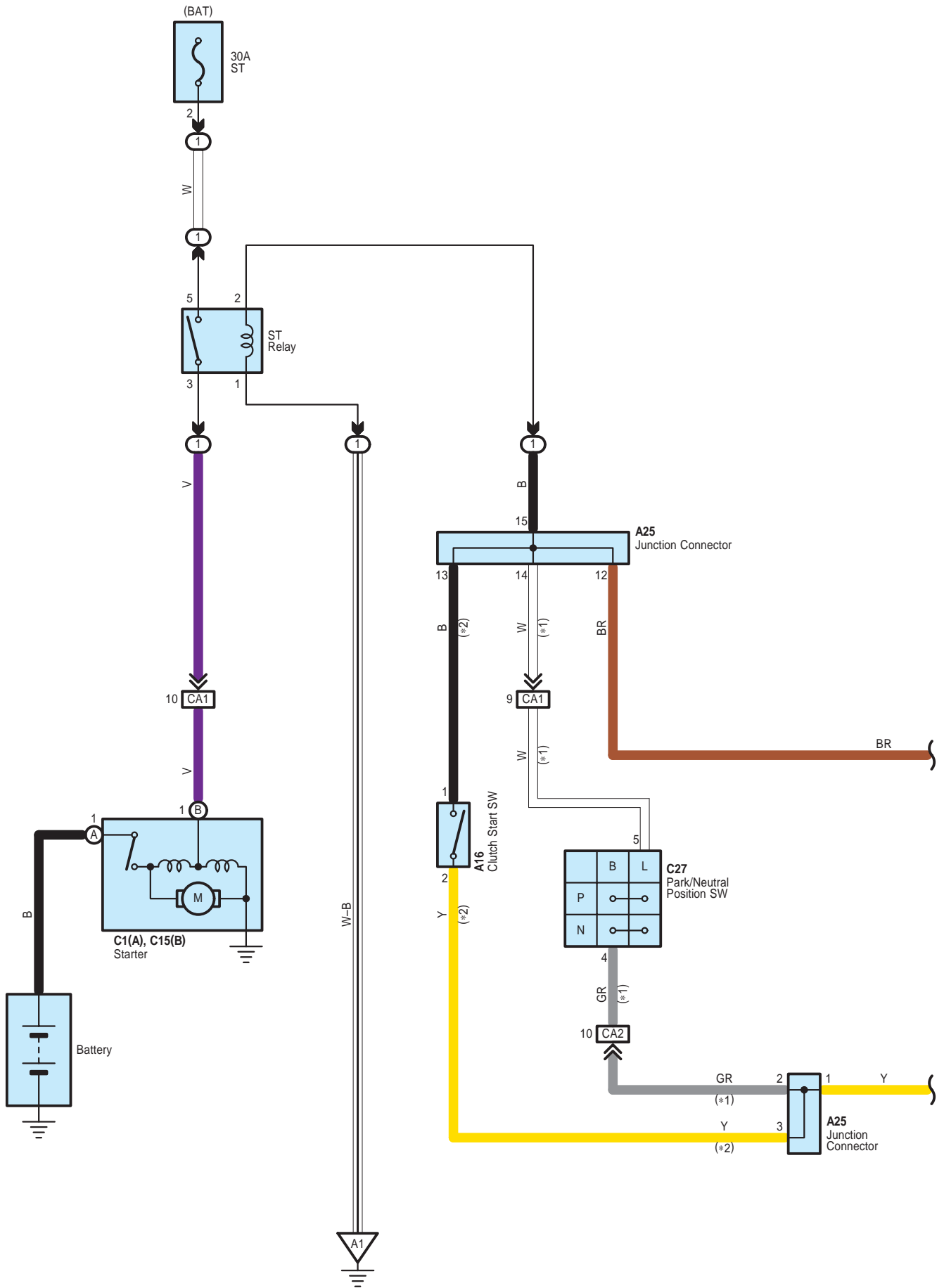
Code	See Page	Junction Block and Wire Harness (Connector Location)
1A	25	Engine Room Main Wire and Engine Room J/B (Engine Compartment Left)
1B		
1C		
1D	24	
1E		
4B	30	Engine Room Main Wire and Instrument Panel J/B (Lower Finish Panel)
4E	30	Instrument Panel Wire and Instrument Panel J/B (Lower Finish Panel)
4F		
4G	30	Engine Room Main Wire and Instrument Panel J/B (Lower Finish Panel)
4M	31	Instrument Panel Wire and Instrument Panel J/B (Lower Finish Panel)
4S		
6A	40	Instrument Panel Wire and J/B No.6 (Right Kick Panel)

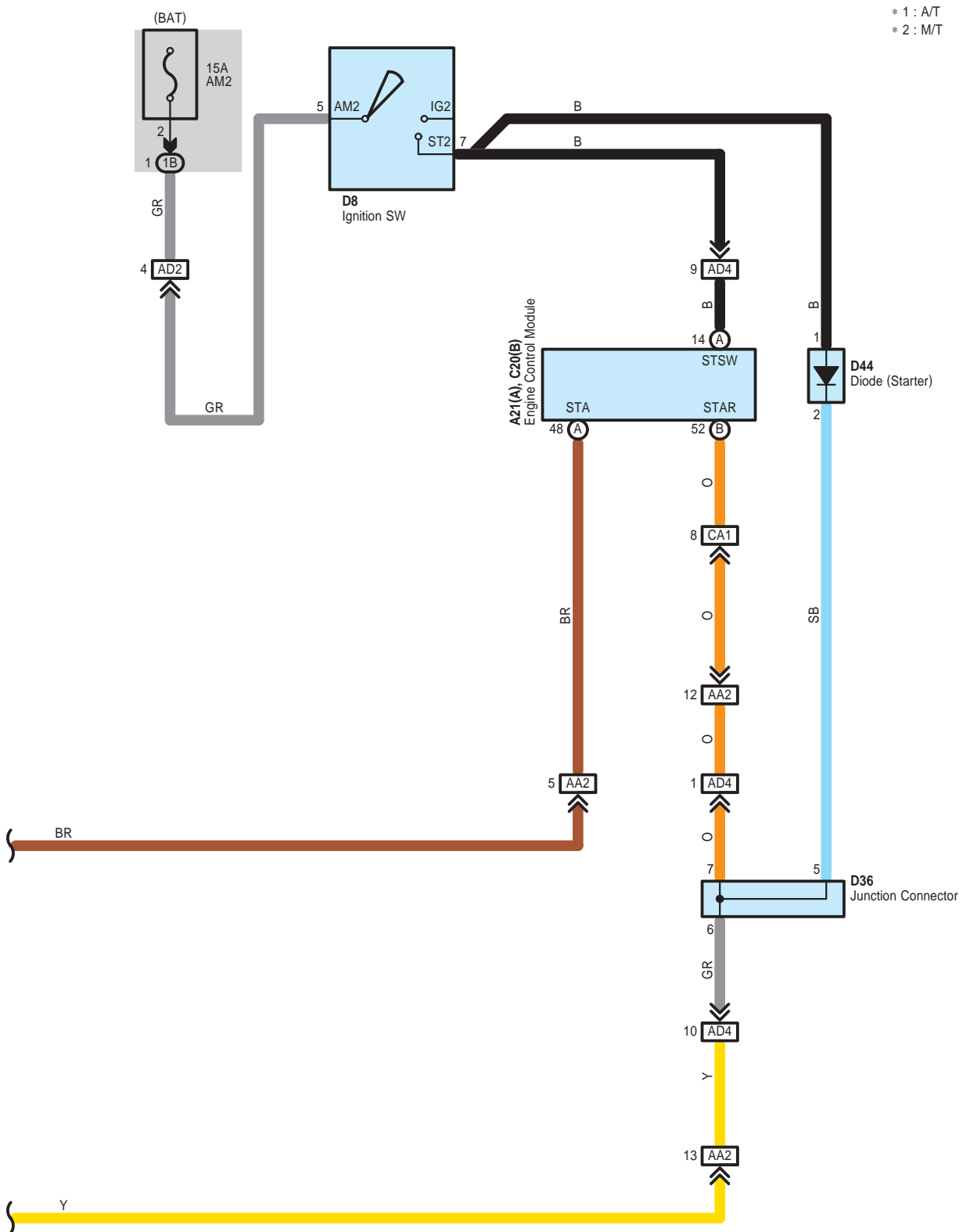
: Connector Joining Wire Harness and Wire Harness

Code	See Page	Joining Wire Harness and Wire Harness (Connector Location)
AA1	62 (H/B)	Engine Room Main Wire and Engine Room Main Wire (Instrument Panel Left)
	63 (S/D)	
AA2	62 (H/B)	
	63 (S/D)	
AD2	62 (H/B)	Engine Room Main Wire and Instrument Panel Wire (Instrument Panel Left)
	63 (S/D)	
AD4	62 (H/B)	
	63 (S/D)	

: Ground Points

Code	See Page	Ground Points Location
A1	60 (H/B)	Left Suspension Tower
	61 (S/D)	
D1	62 (H/B)	Left Kick Panel
	63 (S/D)	
D2	62 (H/B)	Right Kick Panel
	63 (S/D)	





YARIS (EM01V0U)

Starting

○ : Parts Location

Code	See Page	Code	See Page	Code	See Page
A16	50 (H/B)	C1	A	D8	51 (H/B)
	52 (S/D)		B		53 (S/D)
A21	46 (H/B)	C15	B	D36	51 (H/B)
	48 (S/D)				53 (S/D)
A25	46 (H/B)	C20	B	D44	51 (H/B)
	48 (S/D)				53 (S/D)
C1	A	C27			
					49 (S/D)

○ : Relay Blocks

Code	See Page	Relay Blocks (Relay Block Location)
1	24	Engine Room R/B (Engine Compartment Left)

○ : Junction Block and Wire Harness Connector

Code	See Page	Junction Block and Wire Harness (Connector Location)
1B	25	Engine Room Main Wire and Engine Room J/B (Engine Compartment Left)

□ : Connector Joining Wire Harness and Wire Harness

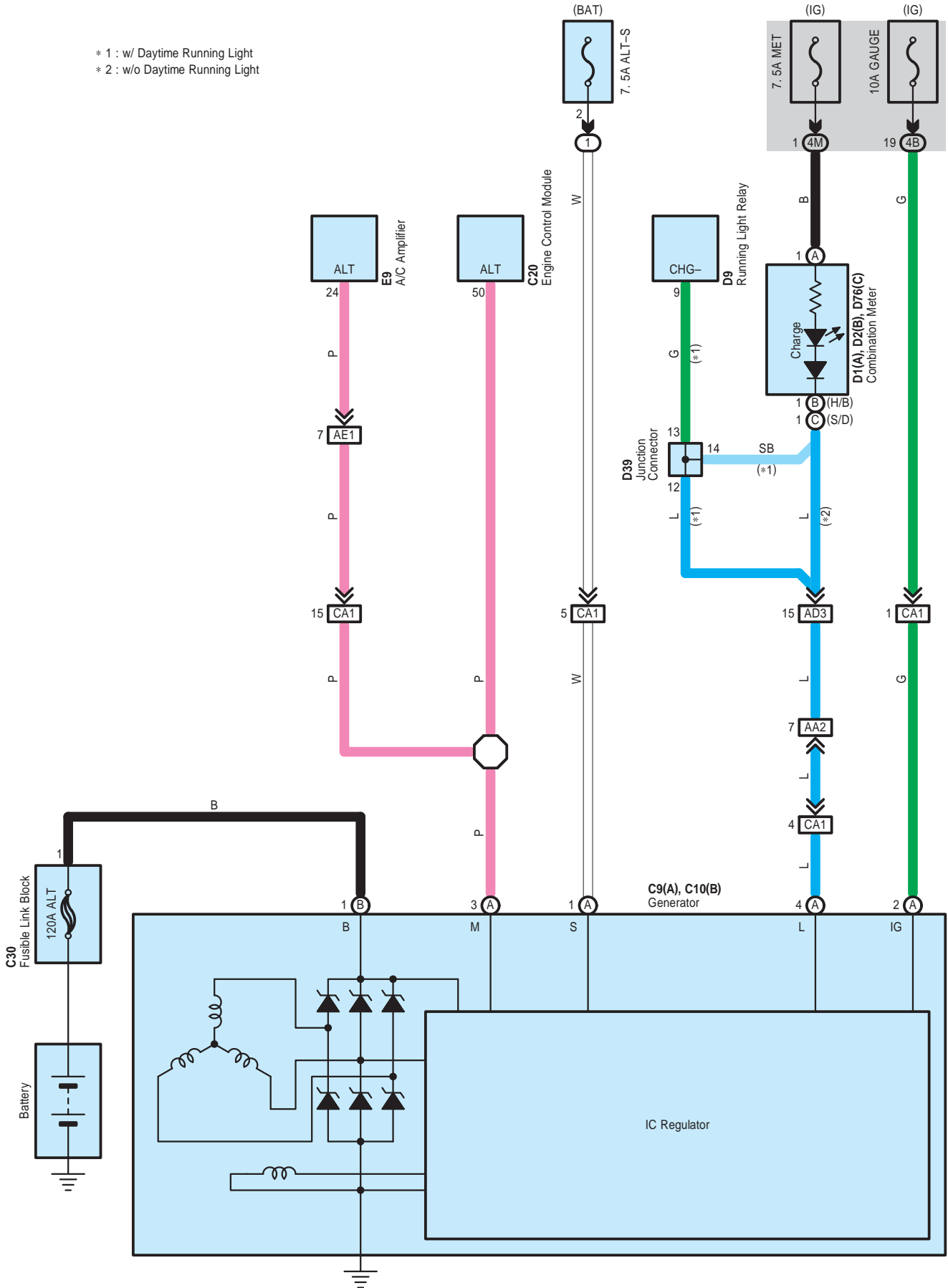
Code	See Page	Joining Wire Harness and Wire Harness (Connector Location)
AA2	62 (H/B)	Engine Room Main Wire and Engine Room Main Wire (Instrument Panel Left)
	63 (S/D)	
AD2	62 (H/B)	Engine Room Main Wire and Instrument Panel Wire (Instrument Panel Left)
	63 (S/D)	
AD4	62 (H/B)	
	63 (S/D)	
CA1	60 (H/B)	Engine Wire and Engine Room Main Wire (Engine Compartment Left)
	61 (S/D)	
CA2	60 (H/B)	
	61 (S/D)	

▽ : Ground Points

Code	See Page	Ground Points Location
A1	60 (H/B)	Left Suspension Tower
	61 (S/D)	

Charging

- * 1 : w/ Daytime Running Light
- * 2 : w/o Daytime Running Light



: Parts Location

Code		See Page	Code		See Page	Code		See Page
C9	A	47 (H/B)	C30		42, 47 (H/B)	D9	53 (S/D)	
		49 (S/D)			42, 49 (S/D)			
C10	B	47 (H/B)	D1	A	51 (H/B)	D39	51 (H/B)	
		49 (S/D)			53 (S/D)		53 (S/D)	
C20		47 (H/B)	D2	B	51 (H/B)	D76	C	53 (S/D)
		49 (S/D)	D9		51 (H/B)			E9
								52 (S/D)

: Relay Blocks

Code	See Page	Relay Blocks (Relay Block Location)
1	24	Engine Room R/B (Engine Compartment Left)

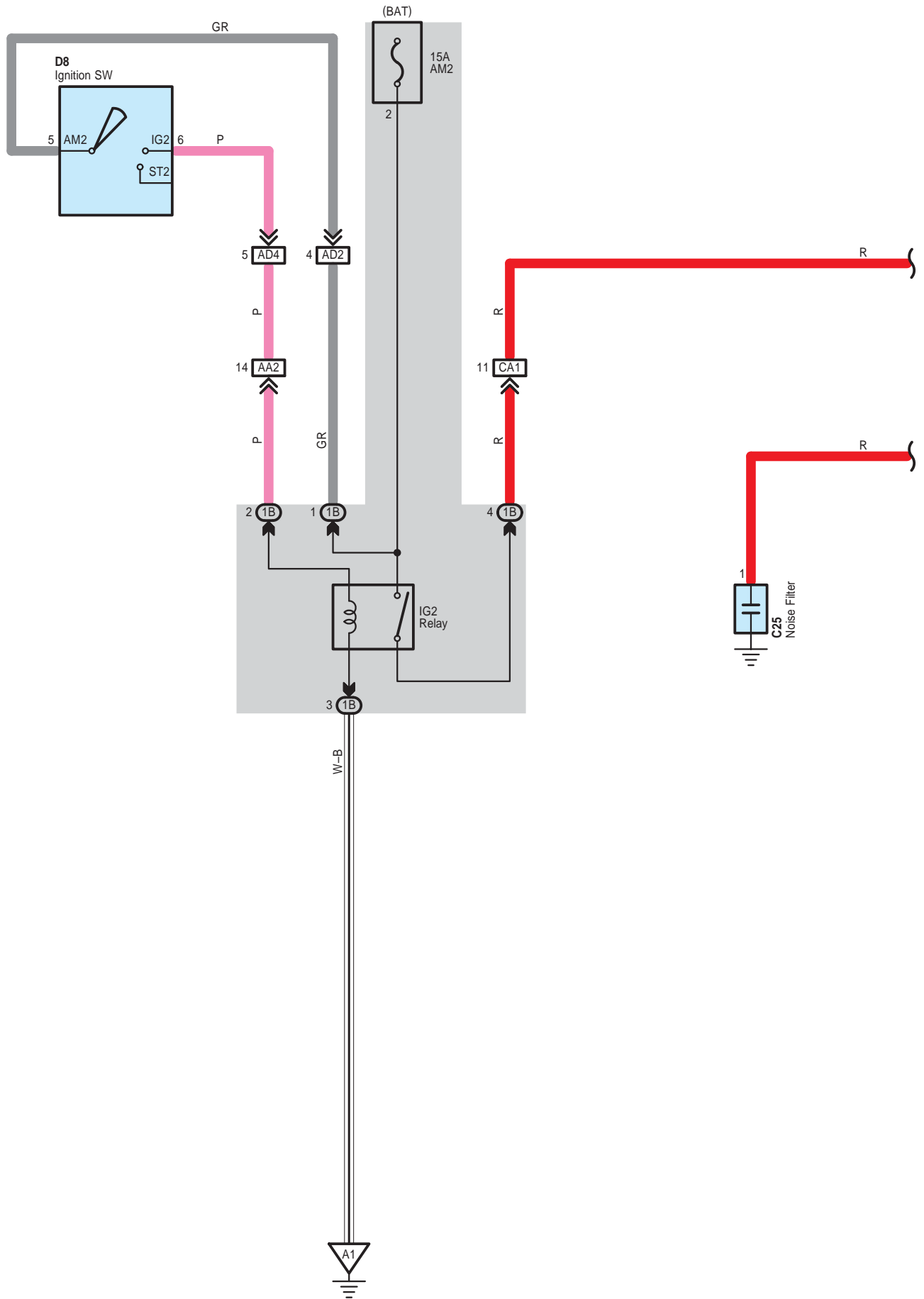
: Junction Block and Wire Harness Connector

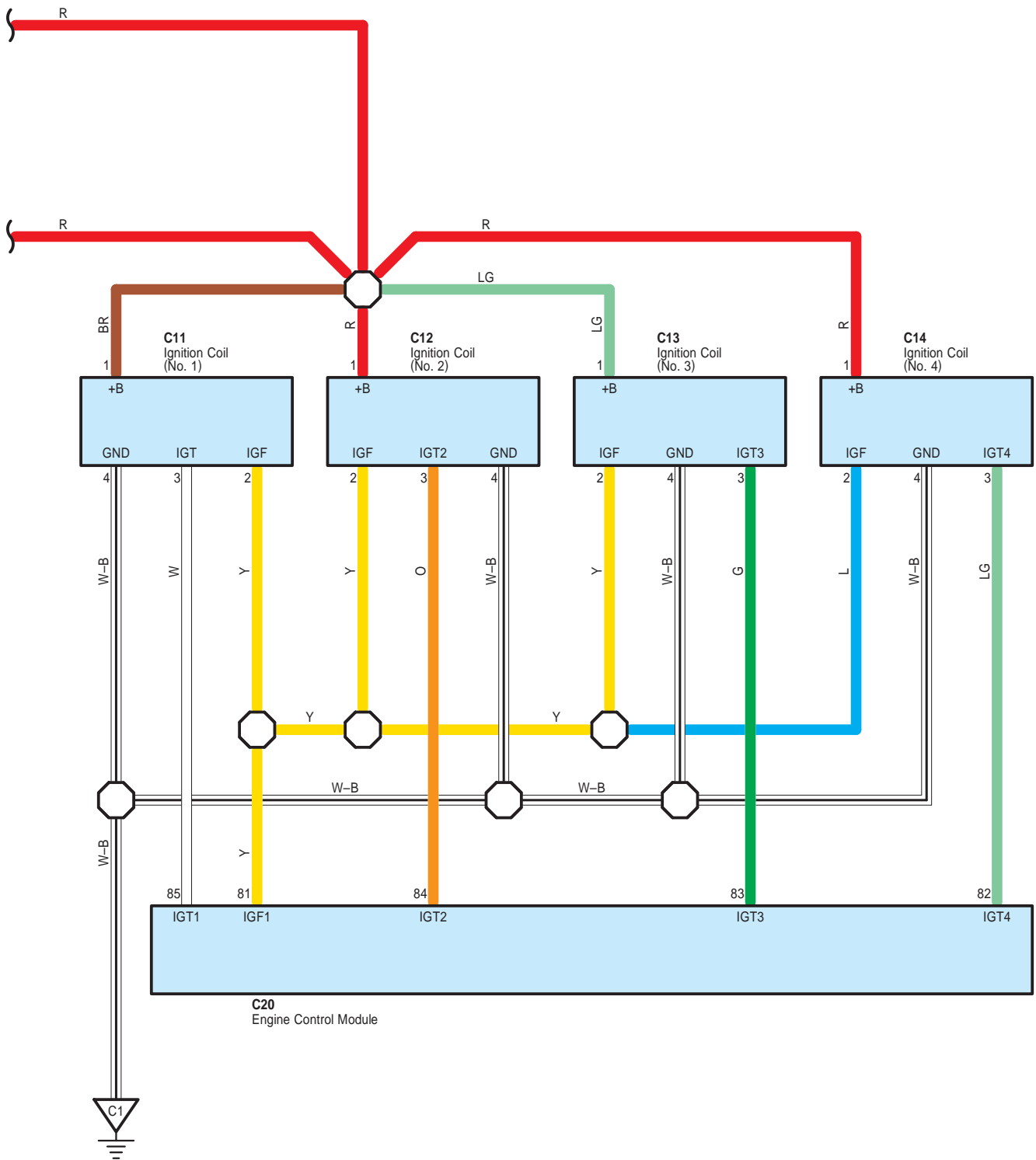
Code	See Page	Junction Block and Wire Harness (Connector Location)
4B	30	Engine Room Main Wire and Instrument Panel J/B (Lower Finish Panel)
4M	31	Instrument Panel Wire and Instrument Panel J/B (Lower Finish Panel)

: Connector Joining Wire Harness and Wire Harness

Code	See Page	Joining Wire Harness and Wire Harness (Connector Location)
AA2	62 (H/B)	Engine Room Main Wire and Engine Room Main Wire (Instrument Panel Left)
	63 (S/D)	
AD3	62 (H/B)	Engine Room Main Wire and Instrument Panel Wire (Instrument Panel Left)
	63 (S/D)	
AE1	62 (H/B)	Engine Room Main Wire and Instrument Panel No.2 Wire (Instrument Panel Left)
	63 (S/D)	
CA1	60 (H/B)	Engine Wire and Engine Room Main Wire (Engine Compartment Left)
	61 (S/D)	

Ignition





Ignition

: Parts Location

Code	See Page	Code	See Page	Code	See Page
C11	47 (H/B)	C13	49 (S/D)	C25	47 (H/B)
	49 (S/D)		C14		47 (H/B)
C12	47 (H/B)	C20		47 (H/B)	D8
	49 (S/D)		49 (S/D)	53 (S/D)	
C13	47 (H/B)				

: Junction Block and Wire Harness Connector

Code	See Page	Junction Block and Wire Harness (Connector Location)
1B	25	Engine Room Main Wire and Engine Room J/B (Engine Compartment Left)

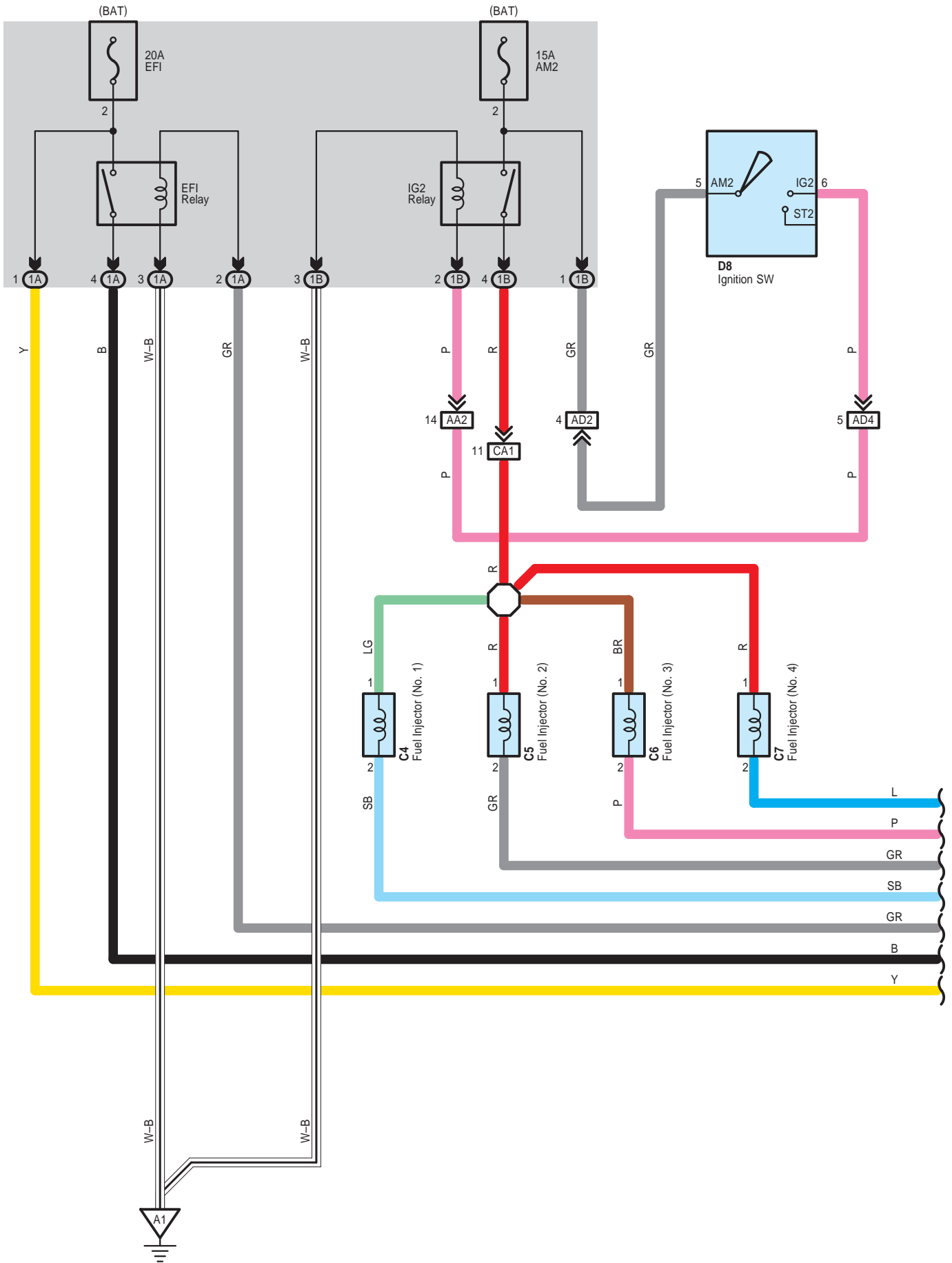
: Connector Joining Wire Harness and Wire Harness

Code	See Page	Joining Wire Harness and Wire Harness (Connector Location)
AA2	62 (H/B)	Engine Room Main Wire and Engine Room Main Wire (Instrument Panel Left)
	63 (S/D)	
AD2	62 (H/B)	Engine Room Main Wire and Instrument Panel Wire (Instrument Panel Left)
	63 (S/D)	
AD4	62 (H/B)	
	63 (S/D)	
CA1	60 (H/B)	Engine Wire and Engine Room Main Wire (Engine Compartment Left)
	61 (S/D)	

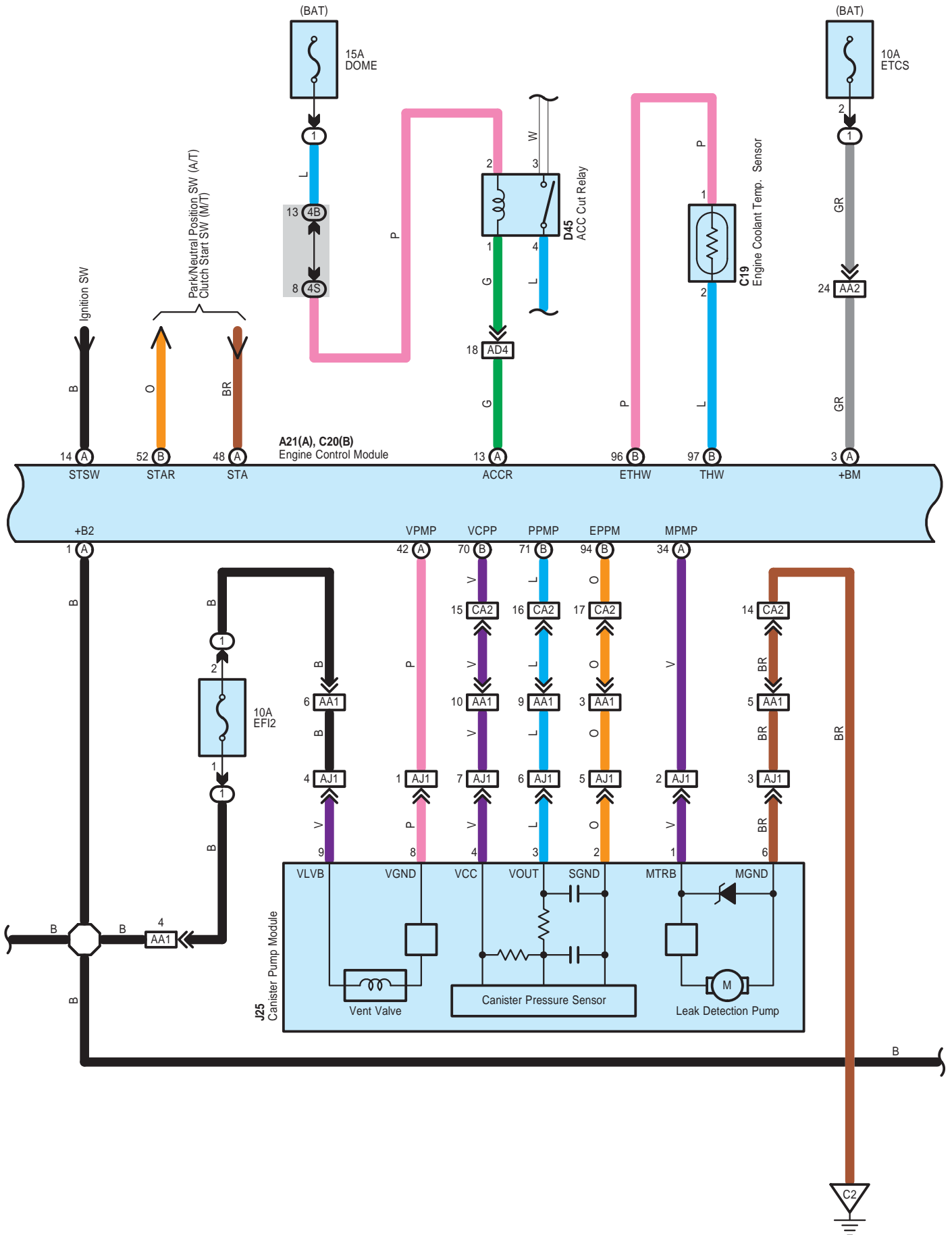
: Ground Points

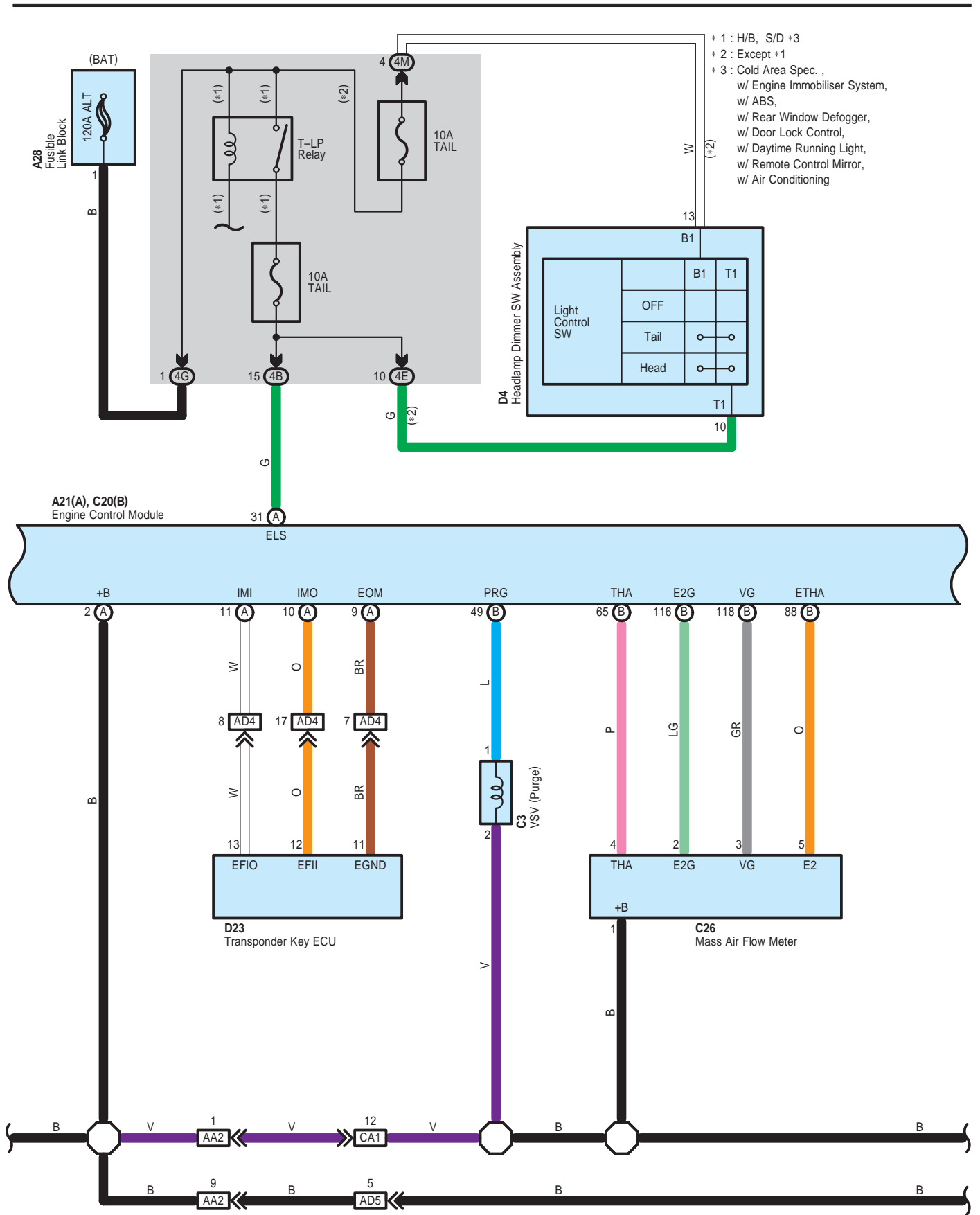
Code	See Page	Ground Points Location
A1	60 (H/B)	Left Suspension Tower
	61 (S/D)	
C1	60 (H/B)	Engine Block Left
	61 (S/D)	

Engine Control

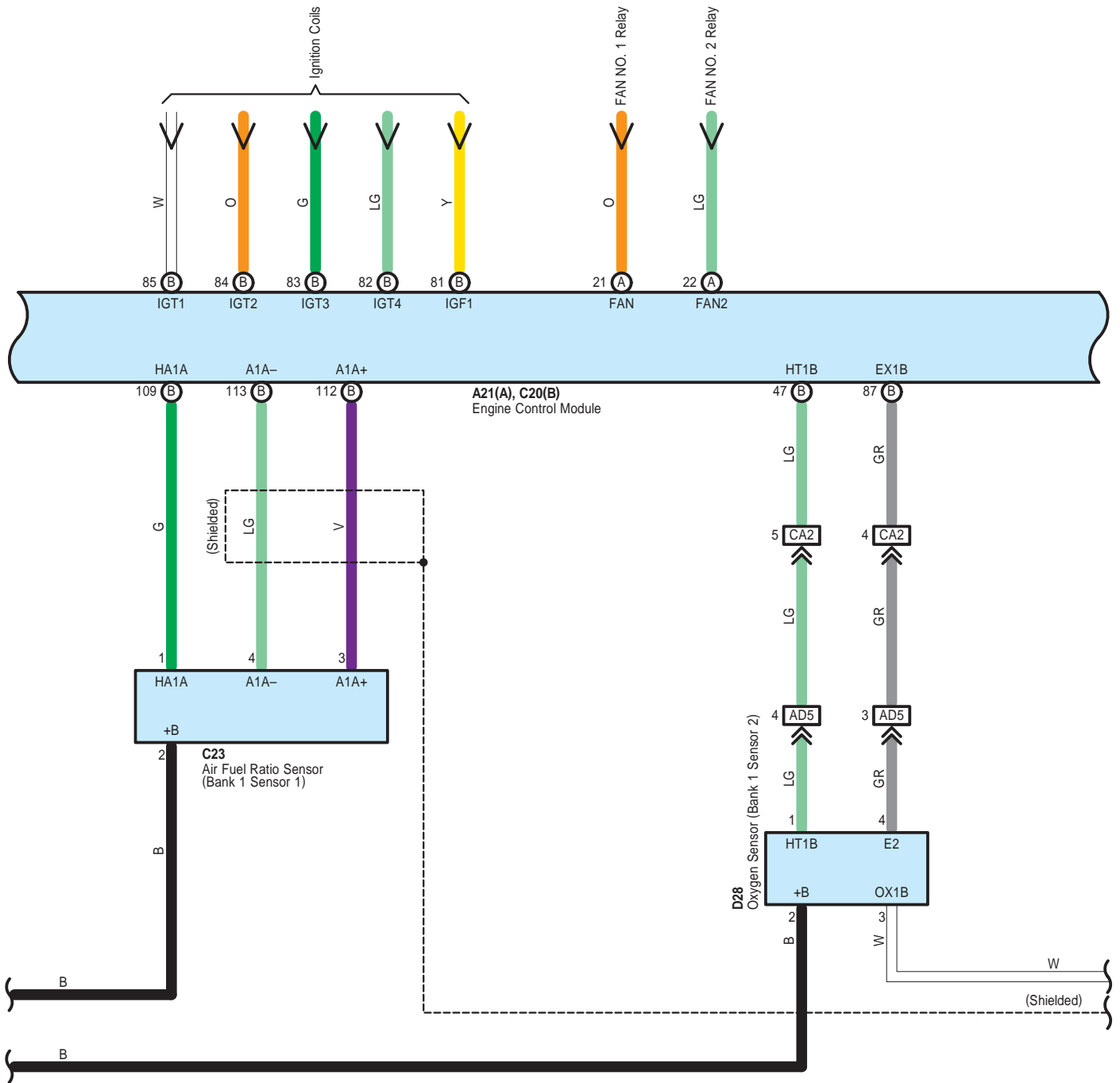


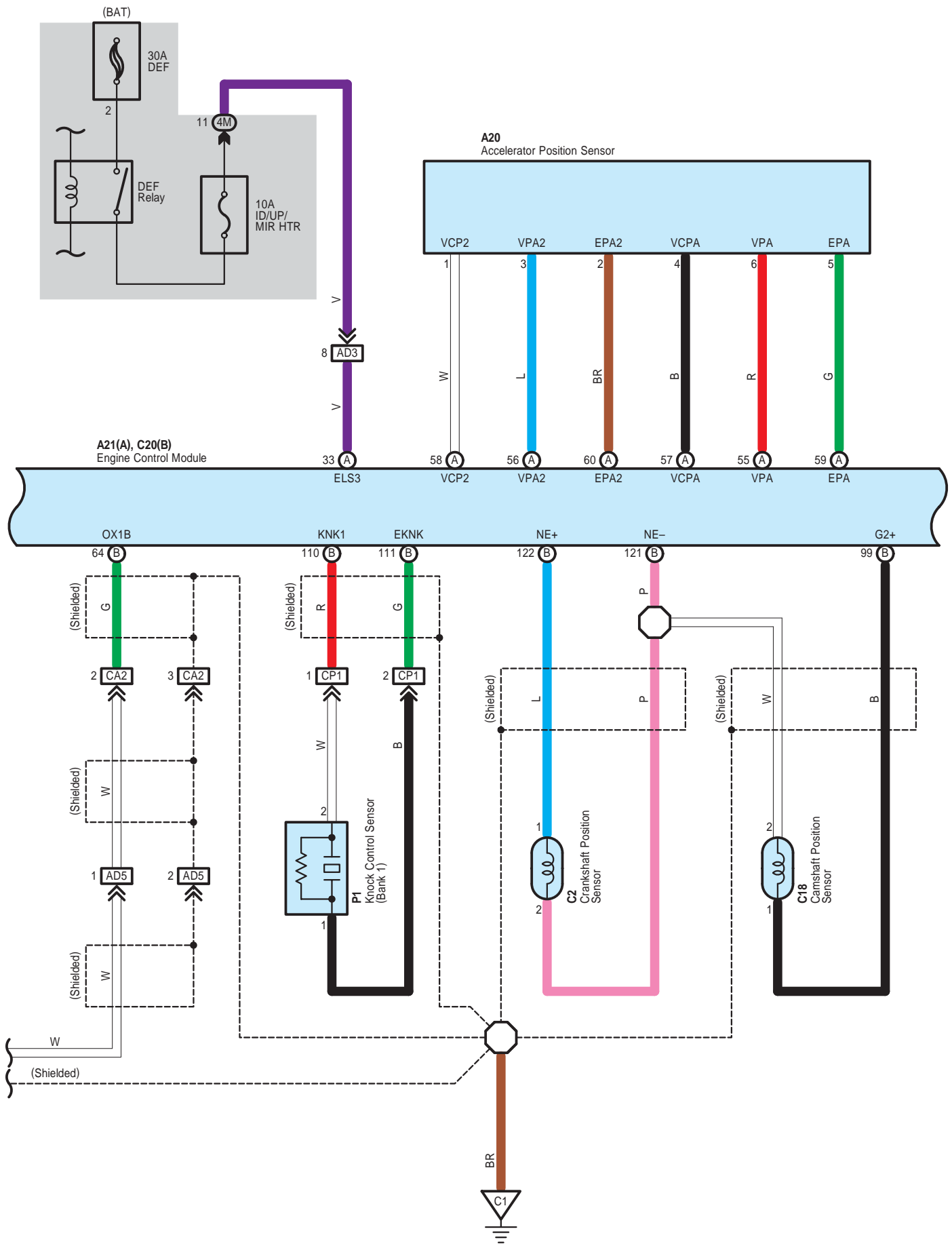
Engine Control



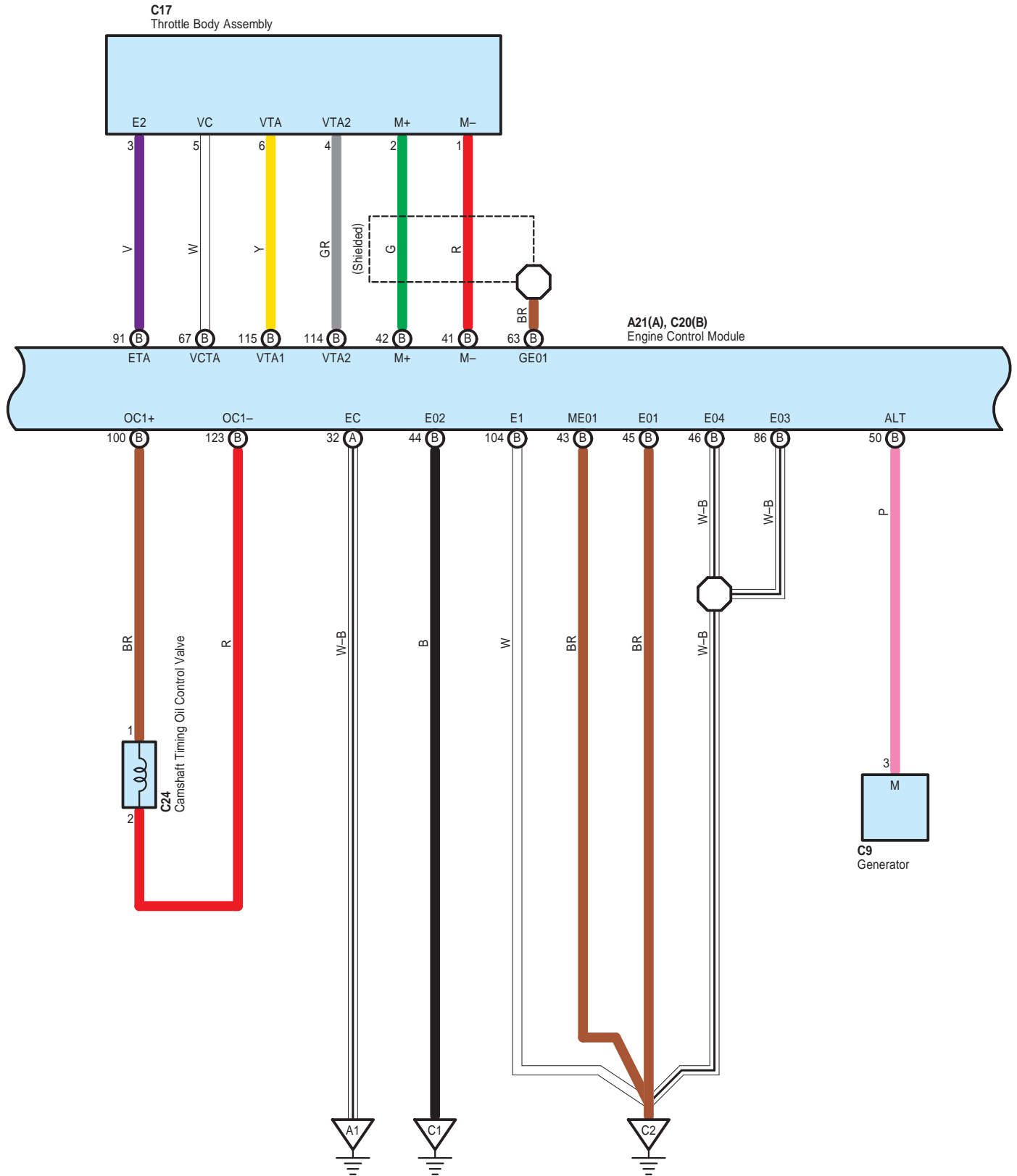


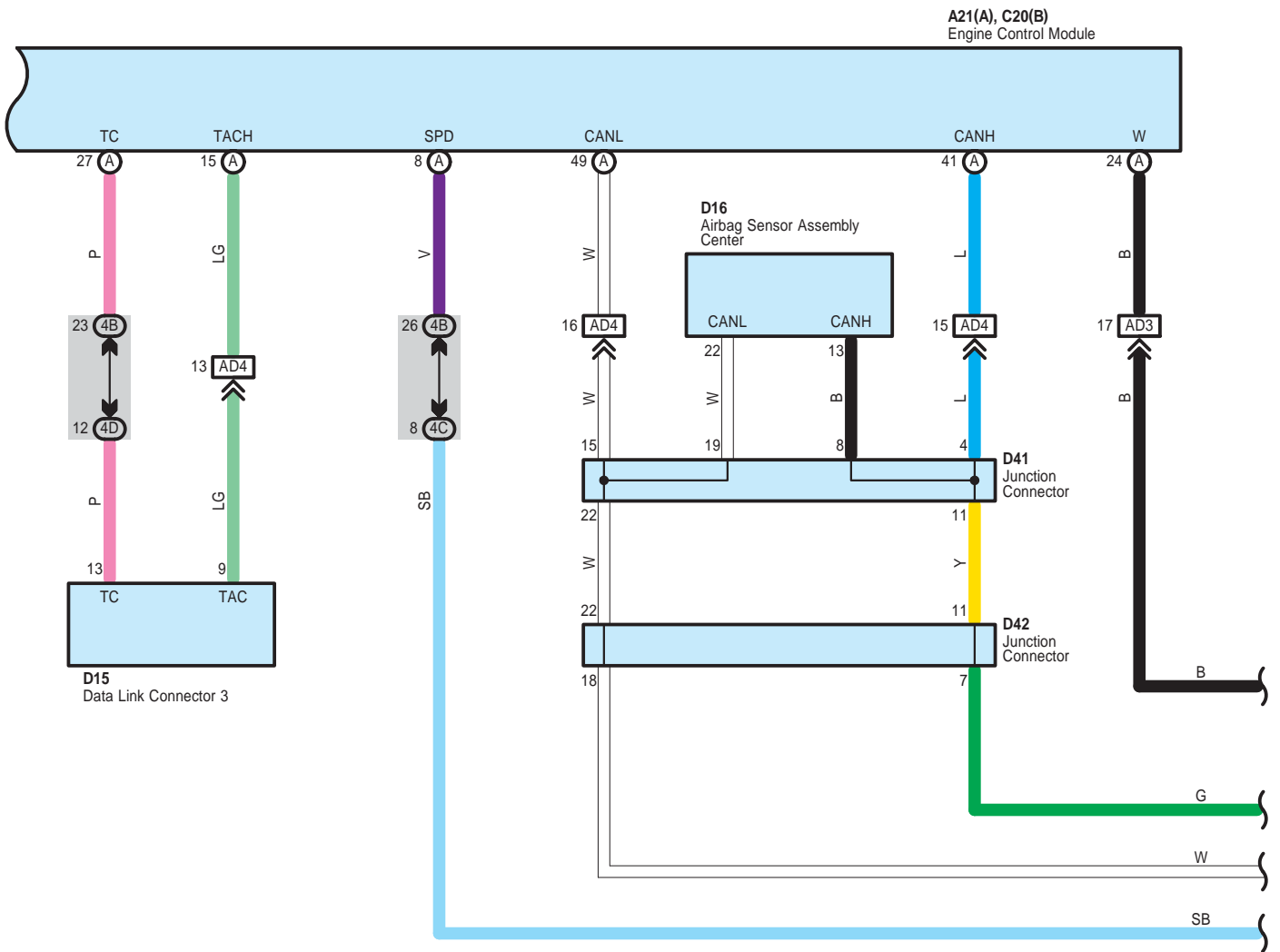
Engine Control



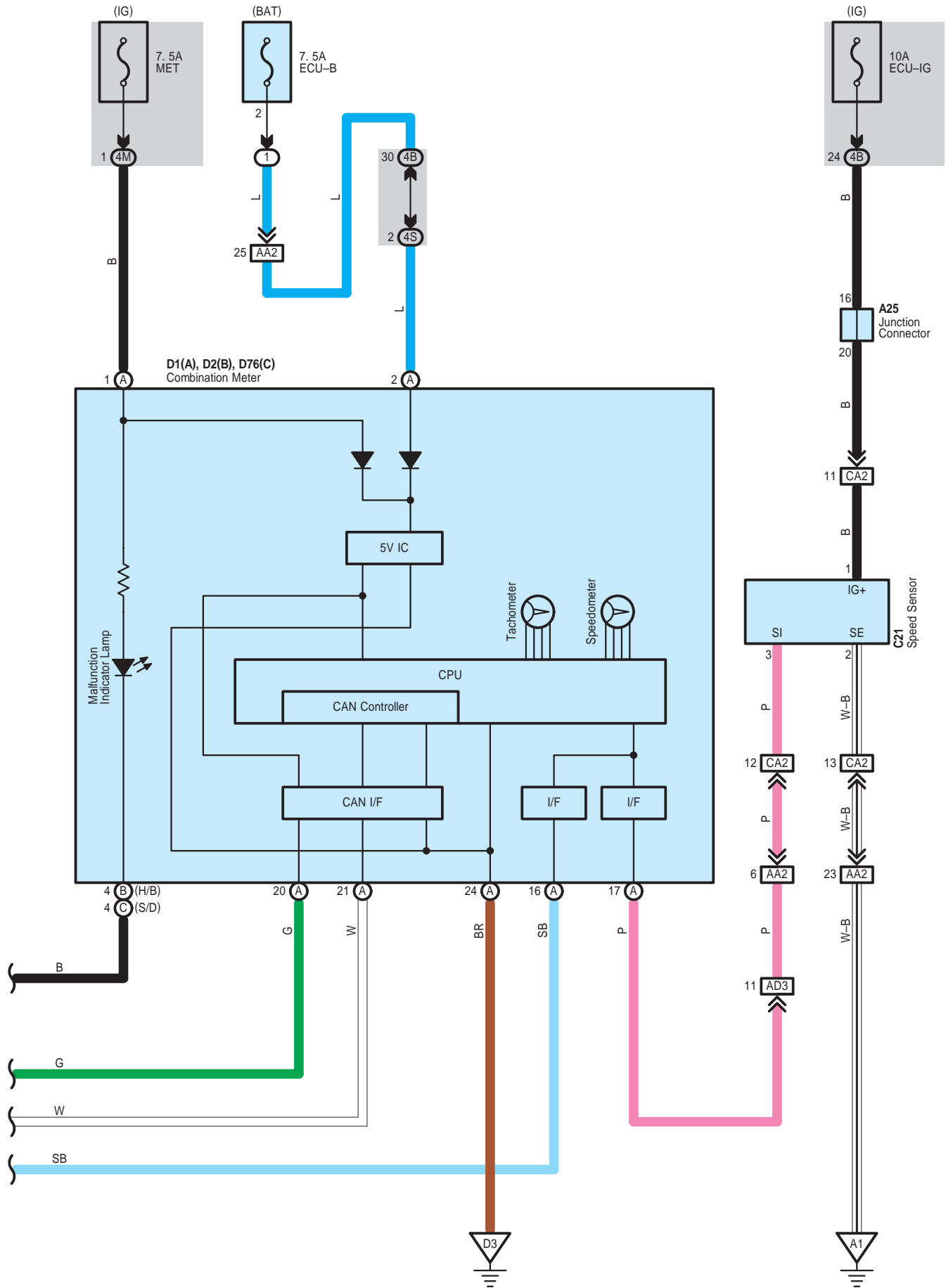


Engine Control





Engine Control



System Outline

1. Electronic Fuel Injection

It controls to have appropriate fuel injection according to the basic injection time. The basic injection time is calculated to fit the engine condition and is corrected with signals from various sensors.

2. Electronic Spark Advance

Appropriate ignition is conducted according to the basic ignition timing which is calculated to fit the engine condition after correcting it with signals from various sensors.

3. Electronic Throttle Control System–intelligent

It controls to have appropriate throttle opening according to the throttle opening calculated to fit the engine condition after correcting it with signals from various sensors.

4. Variable Valve Timing–intelligent

It improves engine output, reduces exhaust gas and improves fuel consumption by varying the phase of the intake camshaft in accordance with the engine condition.

5. Electric Fan Control

It controls the switching ON/OFF and fan speed of the cooling fan according to the coolant temperature and air conditioner's condition.

6. Fuel Pump Control

It turns ON/OFF the fuel pump according to the starter signal and engine speed signal. It stops the fuel pump operation according to signals from the airbag sensor assembly center.

7. Air Conditioning Cut–Off Control

It reduces load of the air conditioner's compressor in acceleration in order to secure the drivability.

8. Canister Purge Control

It controls the purge flow volume of the canister according to the coolant temperature and driving condition.

9. Cranking Hold Control

It continues to supply electricity to the starter between the start of cranking and the engine start in order to prevent the engine start failure by the key's switching off just before the engine's complete explosion.

10. Oxygen Sensor Control

It switches ON/OFF the oxygen sensor according to the coolant temperature and driving condition.

11. Diagnosis

It realizes accurate and detailed diagnosis of a failure such as calling the SAE specified diagnosis code data and active test by using the diagnosis tool.

12. Fail–Safe

When the engine control module detects abnormality in signals of the sensors, it stops or continues to control the engine by using the standard values in the engine control module.

Engine Control

○ : Parts Location

Code	See Page	Code	See Page	Code	See Page
A13	50 (H/B)	C17	47 (H/B)	D15	53 (S/D)
	52 (S/D)		49 (S/D)		D16
A20	50 (H/B)	C18	47 (H/B)	D23	
	52 (S/D)		49 (S/D)		D28
A21	A	C19	47 (H/B)	D41	
			48 (S/D)		49 (S/D)
A25	46 (H/B)	C20	B	47 (H/B)	53 (S/D)
	48 (S/D)			49 (S/D)	D45
A28	43, 46 (H/B)	C21	47 (H/B)	D41	
	43, 48 (S/D)		49 (S/D)		D42
C2	47 (H/B)	C23	47 (H/B)	D45	
	49 (S/D)		49 (S/D)		D45
C3	47 (H/B)	C24	47 (H/B)	D76	
	49 (S/D)		49 (S/D)		53 (S/D)
C4	47 (H/B)	C26	47 (H/B)	J5	55 (5-Door)
	49 (S/D)		49 (S/D)		57 (3-Door)
C5	47 (H/B)	D1	A		59 (4-Door)
	49 (S/D)			51 (H/B)	J25
C6	47 (H/B)	D2	B	57 (3-Door)	
	49 (S/D)			51 (H/B)	
C7	47 (H/B)	D4	51 (H/B)	P1	47 (H/B)
	49 (S/D)		53 (S/D)		49 (S/D)
C9	47 (H/B)	D8	51 (H/B)		
	49 (S/D)		53 (S/D)		
		D15	51 (H/B)		

○ : Relay Blocks

Code	See Page	Relay Blocks (Relay Block Location)
1	24	Engine Room R/B (Engine Compartment Left)

○ : Junction Block and Wire Harness Connector

Code	See Page	Junction Block and Wire Harness (Connector Location)
1A	25	Engine Room Main Wire and Engine Room J/B (Engine Compartment Left)
1B		
4A	30	Floor Wire and Instrument Panel J/B (Lower Finish Panel)
4B	30	Engine Room Main Wire and Instrument Panel J/B (Lower Finish Panel)
4C	30	Instrument Panel Wire and Instrument Panel J/B (Lower Finish Panel)
4D		
4E		
4G	30	Engine Room Main Wire and Instrument Panel J/B (Lower Finish Panel)
4M	31	Instrument Panel Wire and Instrument Panel J/B (Lower Finish Panel)
4S		

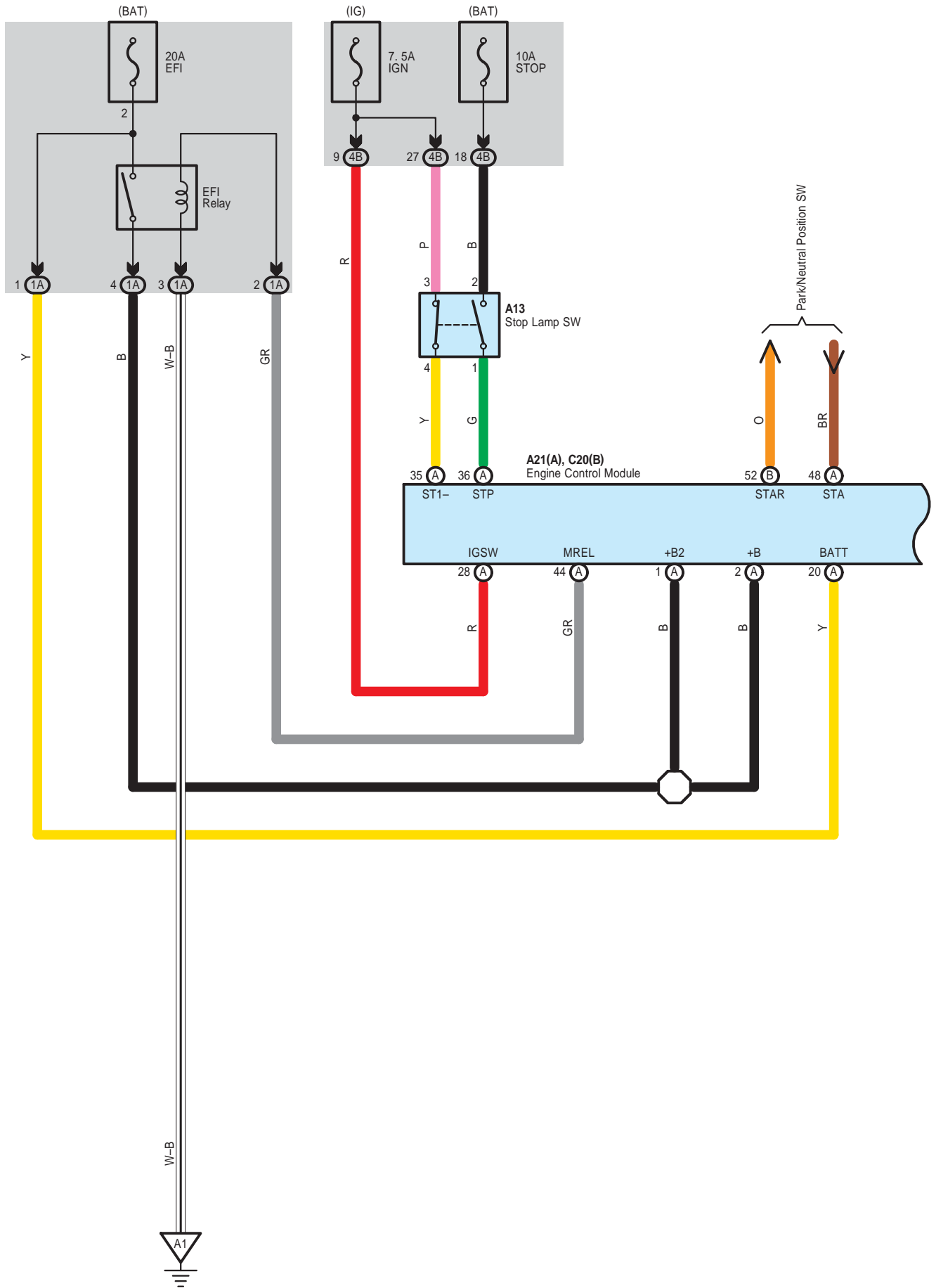
 : Connector Joining Wire Harness and Wire Harness

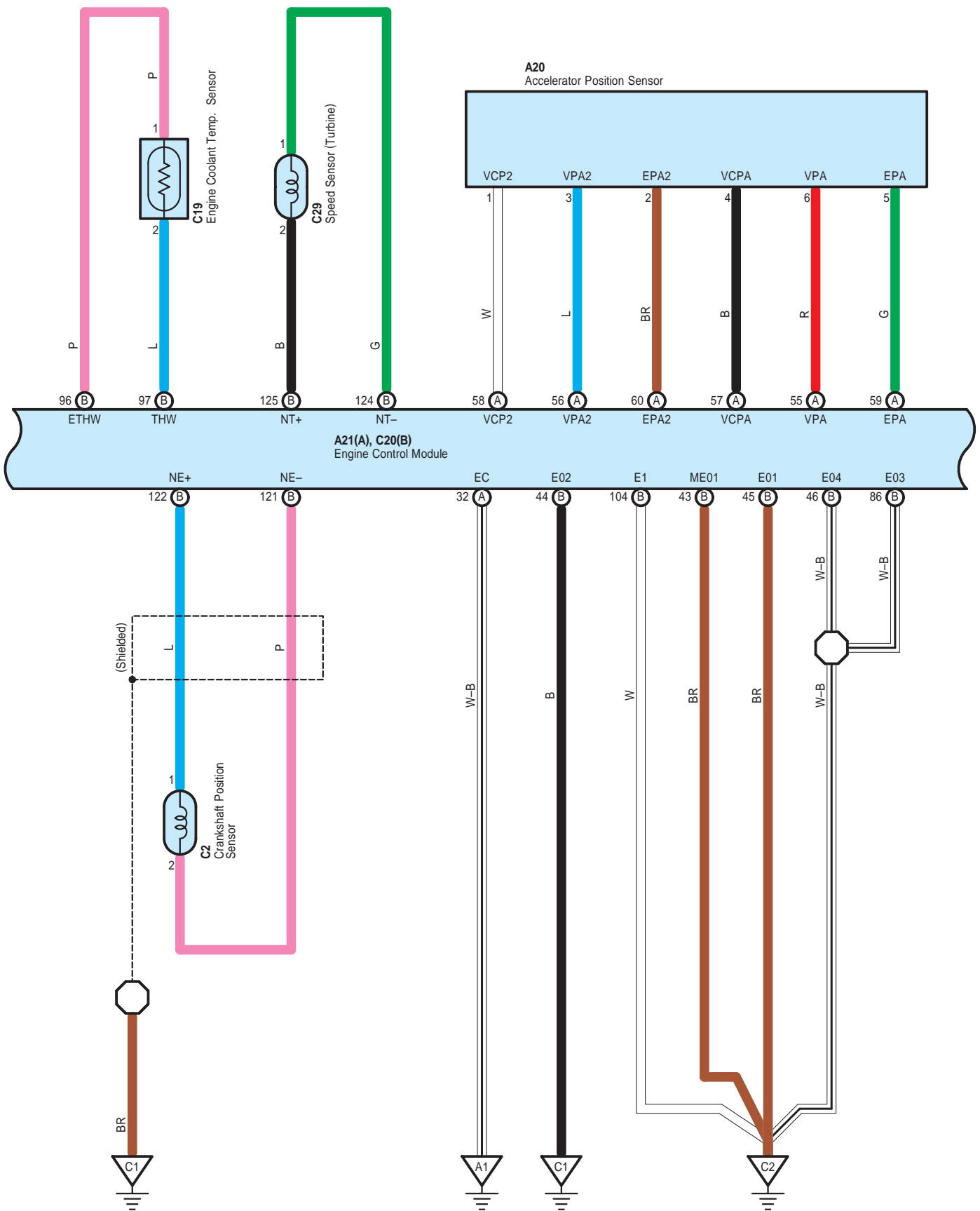
Code	See Page	Joining Wire Harness and Wire Harness (Connector Location)
AA1	62 (H/B)	Engine Room Main Wire and Engine Room Main Wire (Instrument Panel Left)
	63 (S/D)	
AA2	62 (H/B)	
	63 (S/D)	
AD2	62 (H/B)	Engine Room Main Wire and Instrument Panel Wire (Instrument Panel Left)
	63 (S/D)	
AD3	62 (H/B)	
	63 (S/D)	
AD4	62 (H/B)	
	63 (S/D)	
AD5	62 (H/B)	
	63 (S/D)	
AJ1	62 (H/B)	Engine Room Main Wire and Floor Wire (Instrument Panel Left)
	63 (S/D)	
CA1	60 (H/B)	Engine Wire and Engine Room Main Wire (Engine Compartment Left)
	61 (S/D)	
CA2	60 (H/B)	
	61 (S/D)	
CP1	60 (H/B)	Engine Wire and Sensor Wire (Engine Compartment Center)
	61 (S/D)	

 : Ground Points

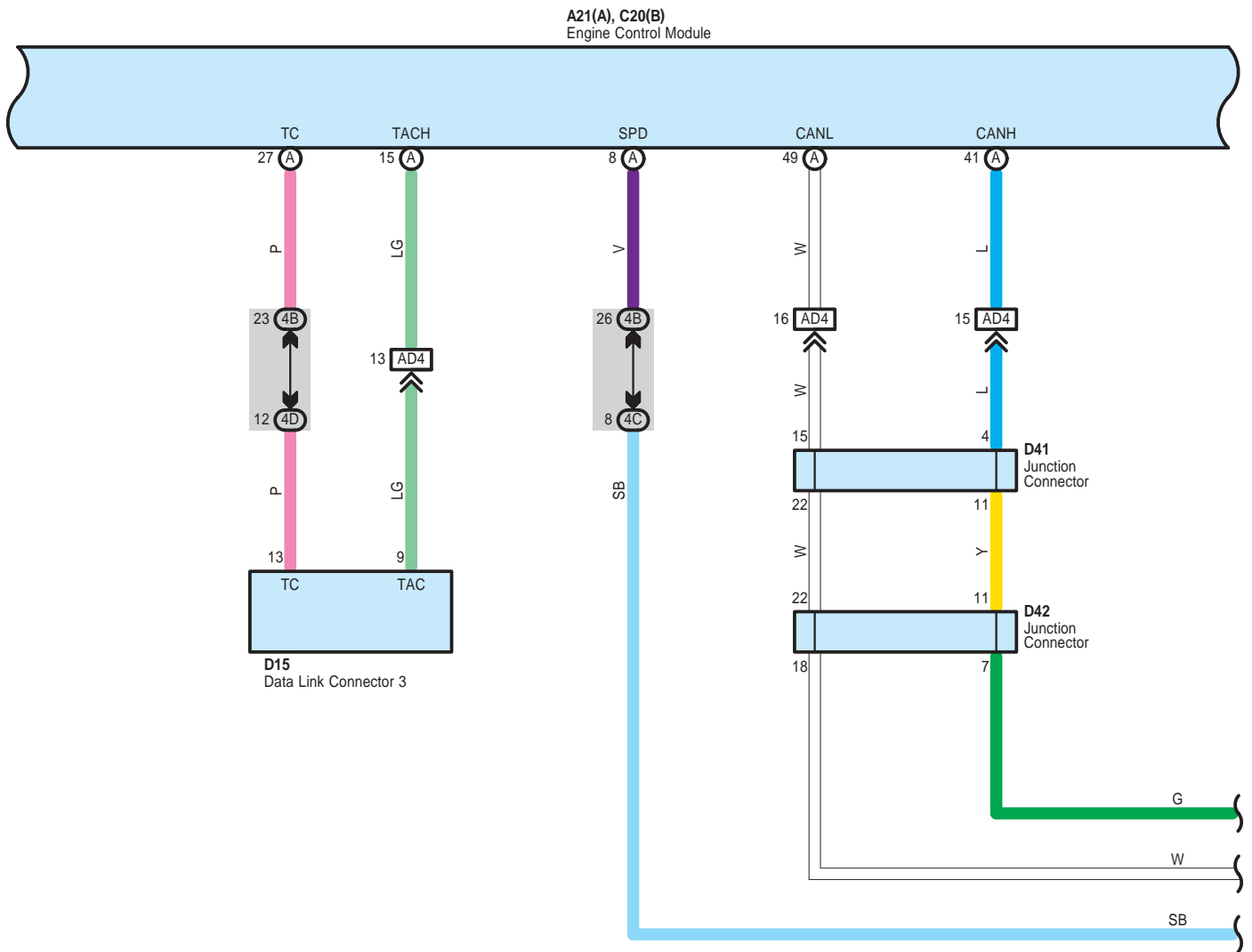
Code	See Page	Ground Points Location
A1	60 (H/B)	Left Suspension Tower
	61 (S/D)	
C1	60 (H/B)	Engine Block Left
	61 (S/D)	
C2	60 (H/B)	
	61 (S/D)	
D3	62 (H/B)	Instrument Panel Reinforcement Left
	63 (S/D)	
J1	64 (5-Door)	Right Rear Quarter Panel
	65 (3-Door)	
	66 (4-Door)	Lower Back Panel Right

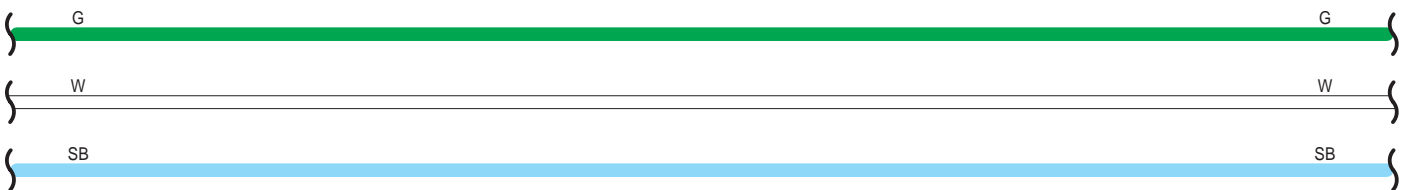
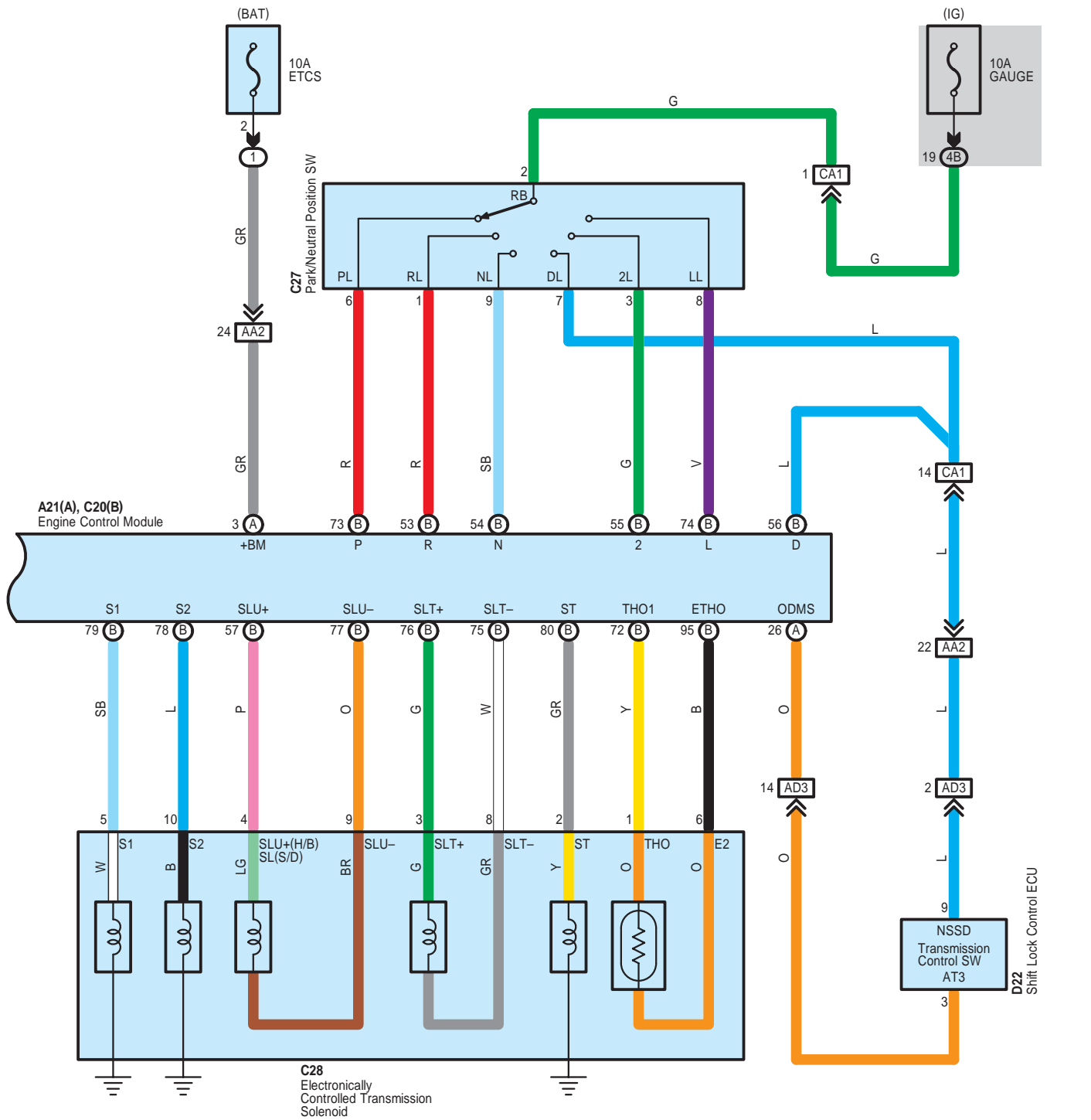
ECT and A/T Indicator



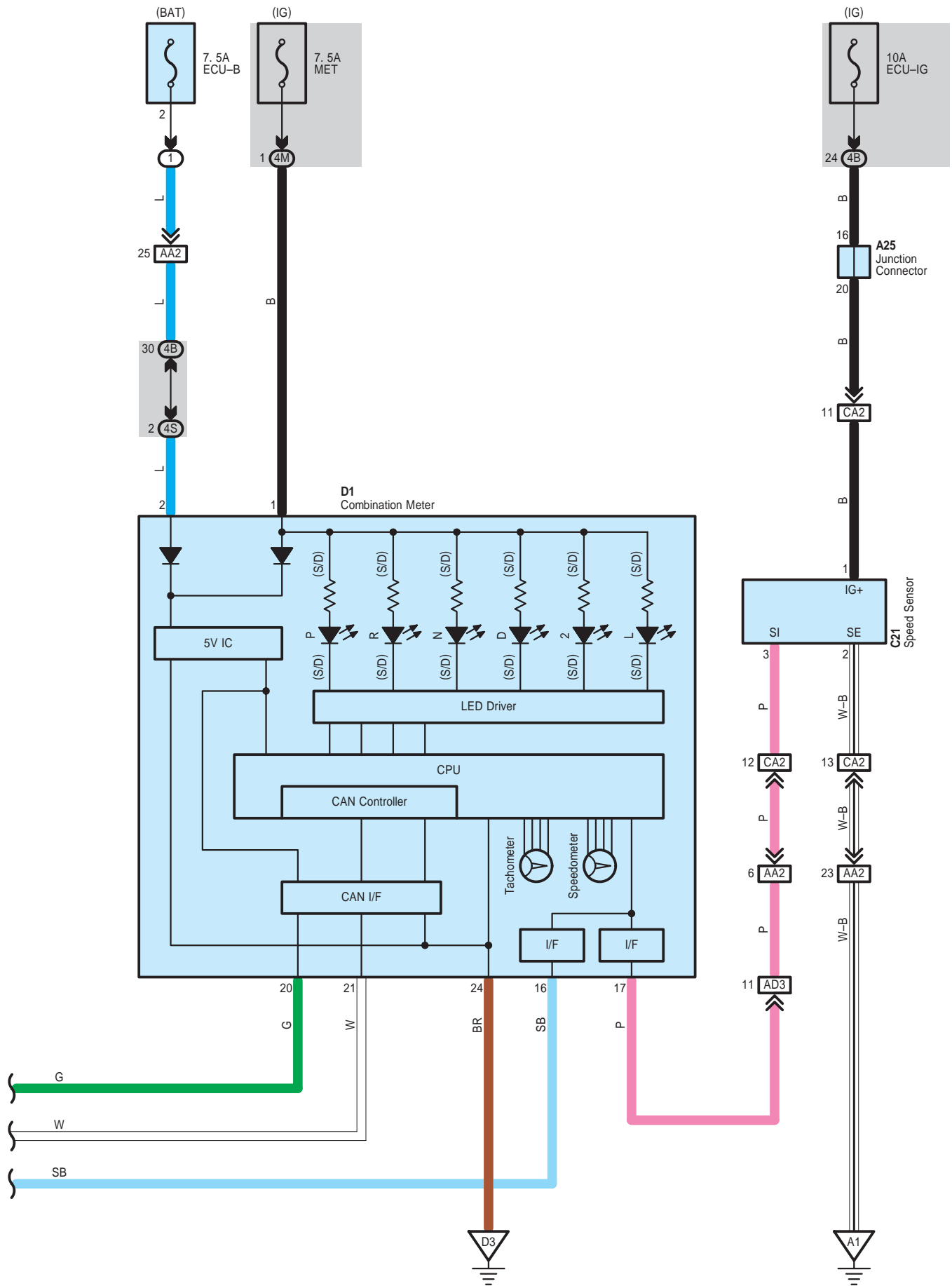


ECT and A/T Indicator





ECT and A/T Indicator



 : **Parts Location**

Code	See Page	Code	See Page	Code	See Page
A13	50 (H/B)	C19	49 (S/D)	D1	51 (H/B)
	52 (S/D)		C20		B
A20	50 (H/B)	C21		49 (S/D)	
	52 (S/D)		47 (H/B)	53 (S/D)	
A21	A	C27	49 (S/D)	D22	51 (H/B)
			46 (H/B)		47 (H/B)
A25	46 (H/B)	C28	49 (S/D)	D41	51 (H/B)
	48 (S/D)		47 (H/B)		53 (S/D)
C2	47 (H/B)	C29	49 (S/D)	D42	51 (H/B)
	49 (S/D)		47 (H/B)		53 (S/D)
C19	47 (H/B)		49 (S/D)		

 : **Relay Blocks**

Code	See Page	Relay Blocks (Relay Block Location)
1	24	Engine Room R/B (Engine Compartment Left)

 : **Junction Block and Wire Harness Connector**

Code	See Page	Junction Block and Wire Harness (Connector Location)
1A	25	Engine Room Main Wire and Engine Room J/B (Engine Compartment Left)
4B	30	Engine Room Main Wire and Instrument Panel J/B (Lower Finish Panel)
4C	30	Instrument Panel Wire and Instrument Panel J/B (Lower Finish Panel)
4D		
4M	31	
4S		

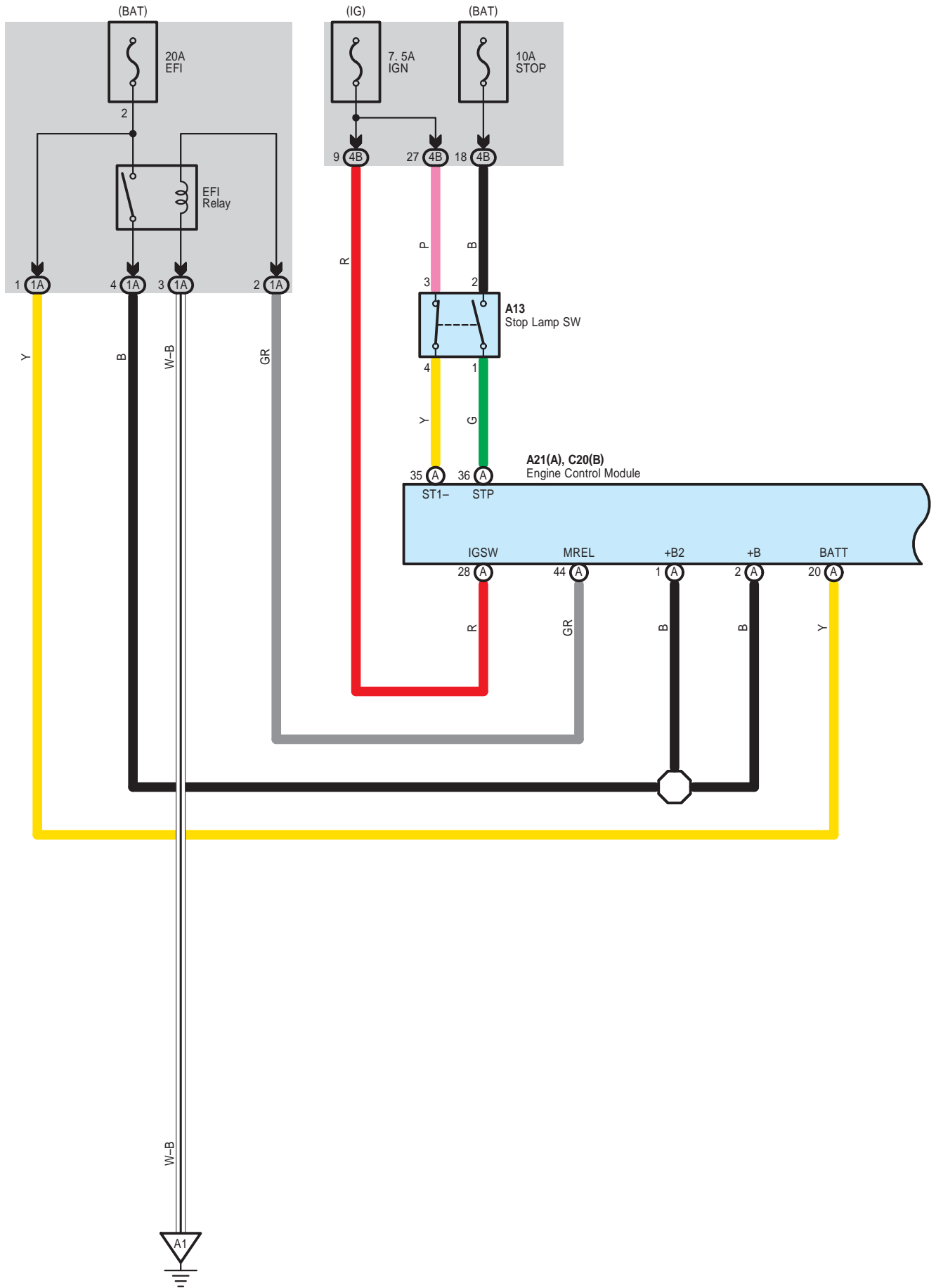
 : **Connector Joining Wire Harness and Wire Harness**

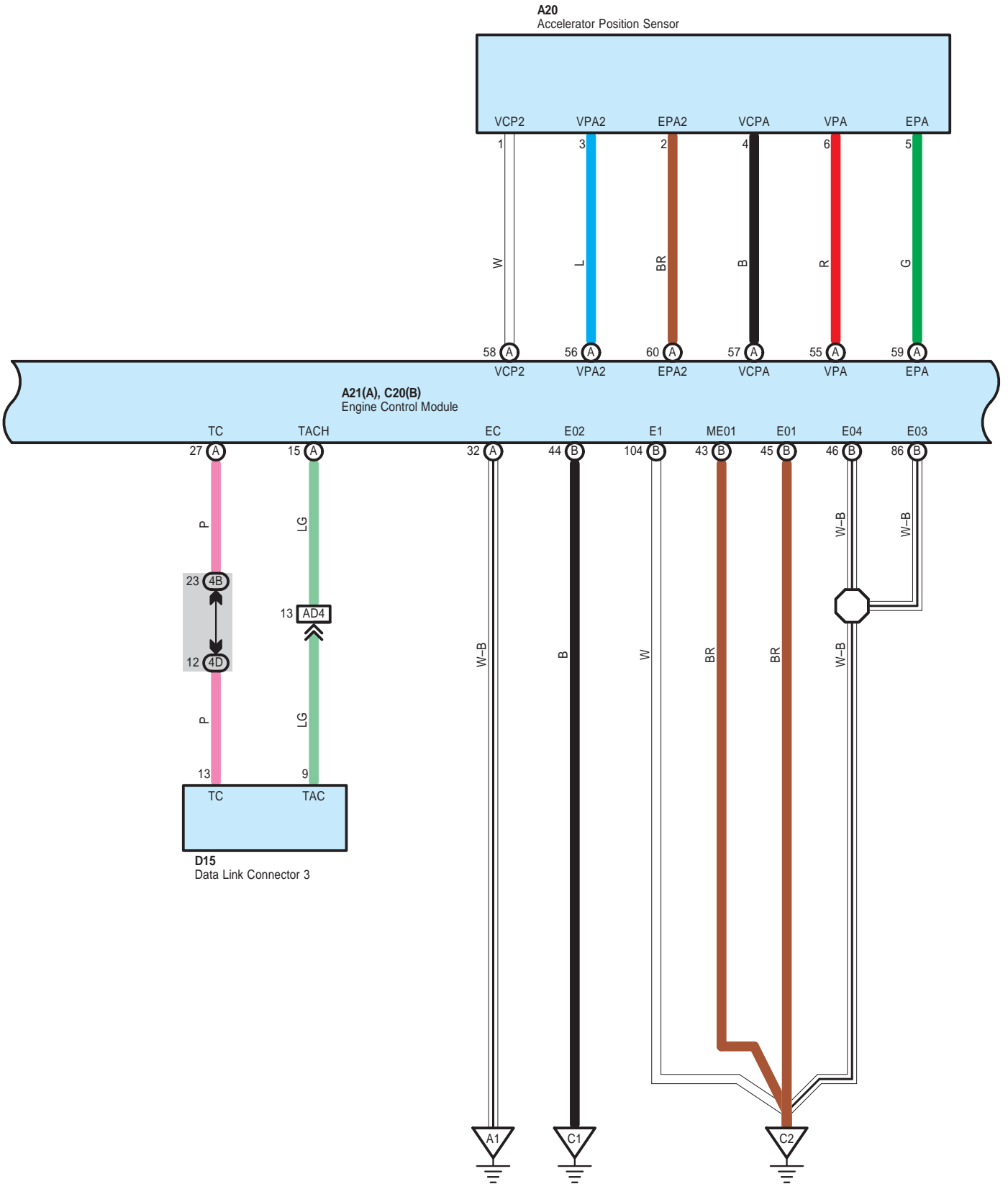
Code	See Page	Joining Wire Harness and Wire Harness (Connector Location)
AA2	62 (H/B)	Engine Room Main Wire and Engine Room Main Wire (Instrument Panel Left)
	63 (S/D)	
AD3	62 (H/B)	Engine Room Main Wire and Instrument Panel Wire (Instrument Panel Left)
	63 (S/D)	
AD4	62 (H/B)	
	63 (S/D)	
CA1	60 (H/B)	Engine Wire and Engine Room Main Wire (Engine Compartment Left)
	61 (S/D)	
CA2	60 (H/B)	
	61 (S/D)	

 : **Ground Points**

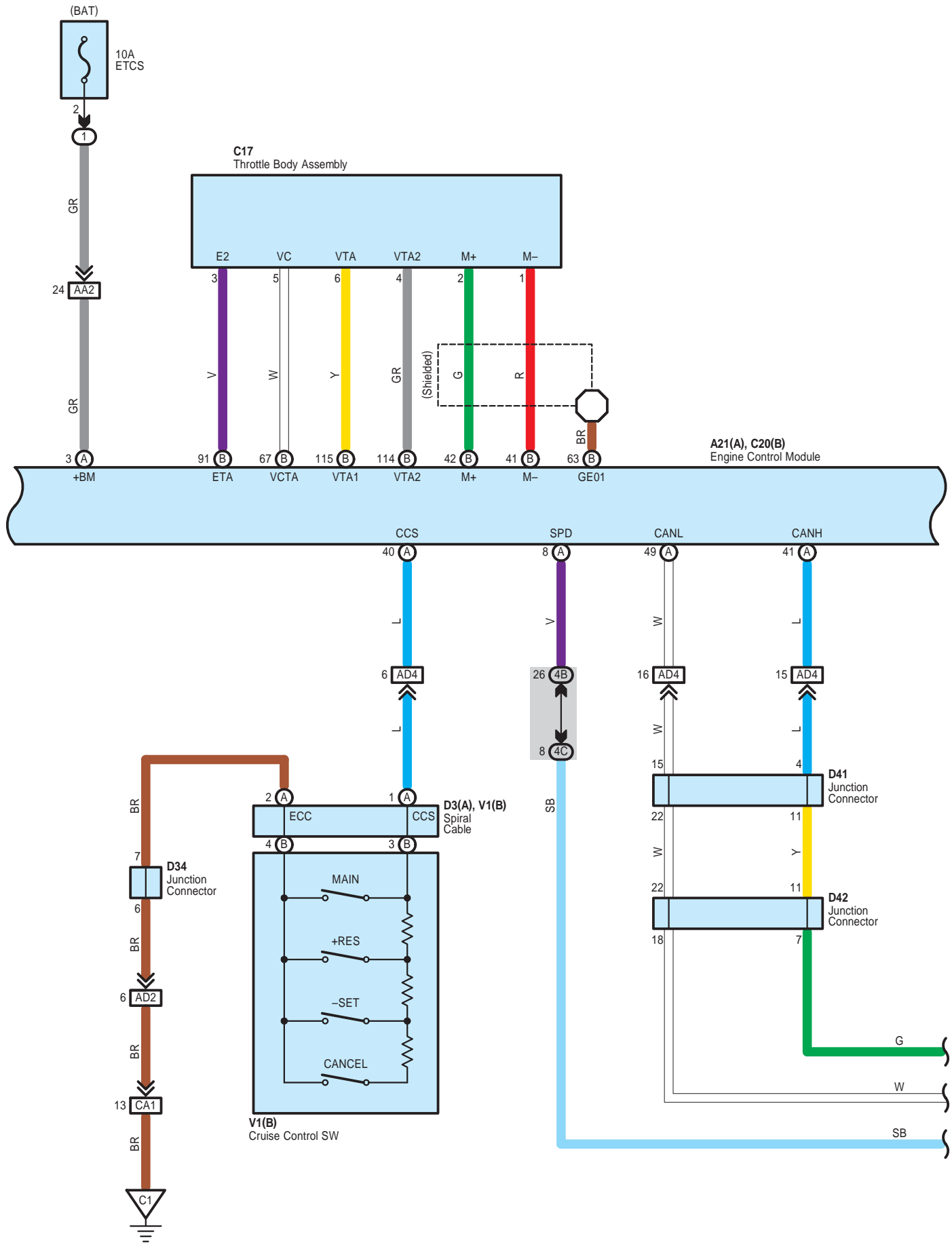
Code	See Page	Ground Points Location
A1	60 (H/B)	Left Suspension Tower
	61 (S/D)	
C1	60 (H/B)	Engine Block Left
	61 (S/D)	
C2	60 (H/B)	
	61 (S/D)	
D3	62 (H/B)	Instrument Panel Reinforcement Left
	63 (S/D)	

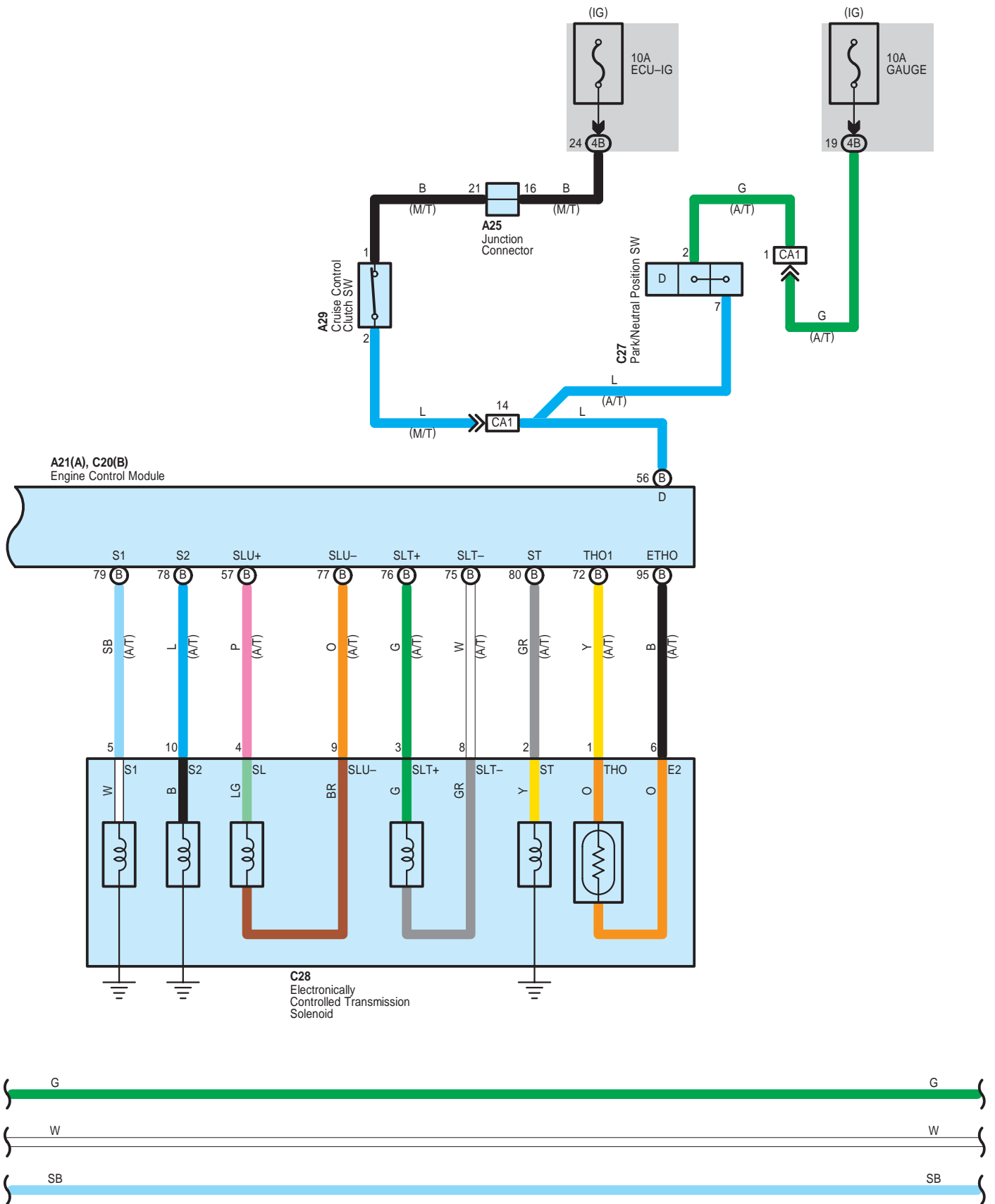
Cruise Control



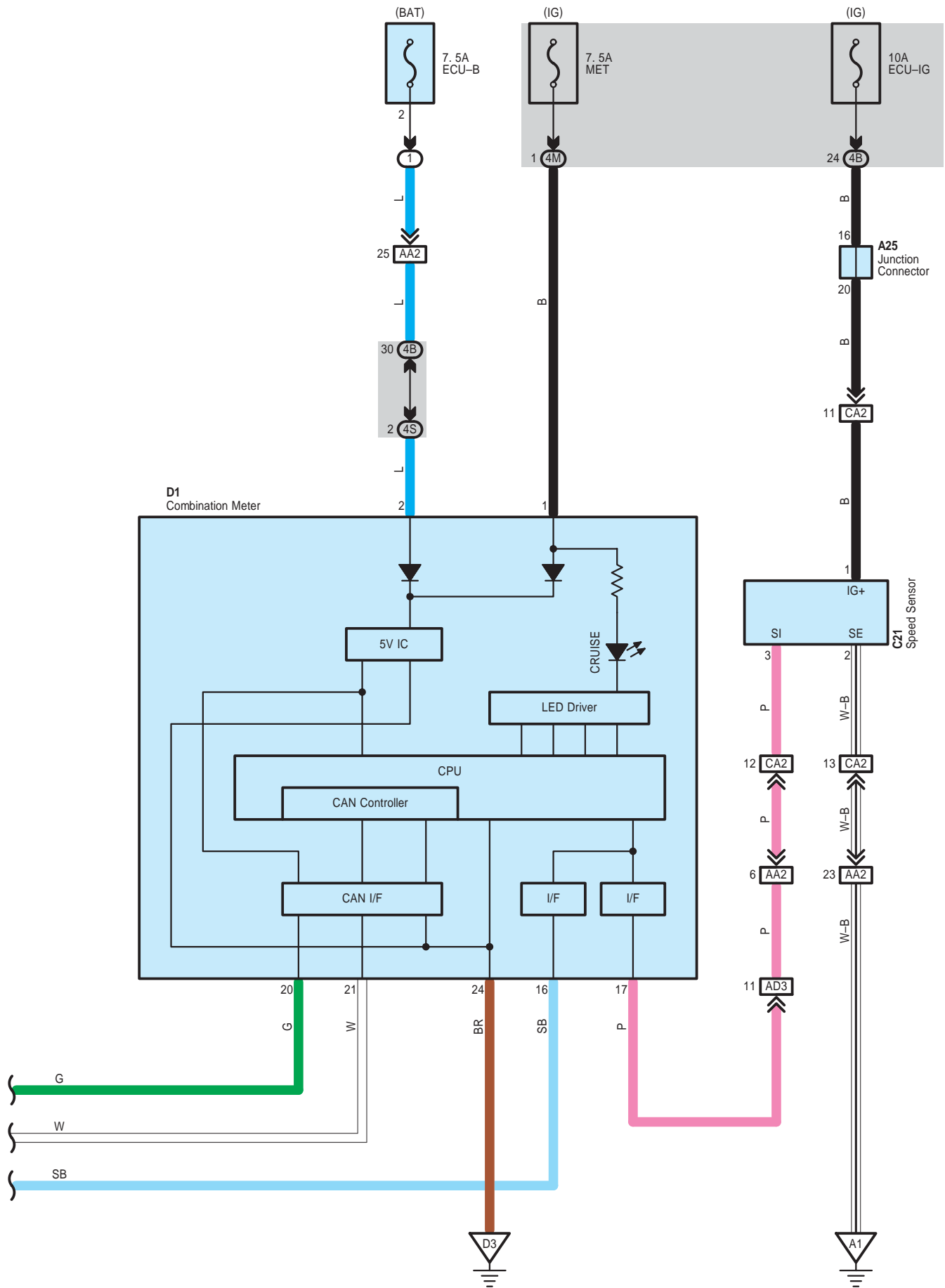


Cruise Control





Cruise Control



System Outline

The cruise control system is a constant vehicle speed controller in which control of the switch on the instrument panel makes it possible to automatically adjust the opening of the engine throttle valve without depressing of the accel pedal.

1. Set Operation

When the CRUISE SW is turned on and the SET SW is pushed with the vehicle speed within the set limit (Approx. 40 km/h, 25 mph to 200 km/h, 124 mph), a signal is input to TERMINAL CCS of the engine control module, and the vehicle speed at the time the SET SW is released is memorized in the ECU as the set speed.

2. Set Speed Control

During cruise control driving, the ECU compares the set speed memorized in the ECU with the actual vehicle speed input into TERMINAL SPD of the engine control module from the combination meter, and controls the throttle body assembly to maintain the set speed.

When the actual speed is lower than the set speed, the ECU causes the current to the throttle control motor to flow from TERMINAL M+ of the engine control module to TERMINAL 2 of the throttle body assembly to TERMINAL 1 to TERMINAL M- of the engine control module. As a result, the motor in the throttle control motor is rotated to open the throttle valve to increase the vehicle speed. When the actual driving speed is higher than the set speed, the current to the throttle body assembly flows from TERMINAL M- of the ECU to TERMINAL 1 of the throttle control motor to TERMINAL 2 to TERMINAL M+ of the engine control module.

This causes the motor in the throttle body assembly to rotate to close the throttle valve to decrease the vehicle speed.

3. Coast Control

During cruise control driving, while the -SET SW is on, the throttle control motor is rotated to close the throttle valve and decrease the driving speed. The vehicle speed when the -SET SW is turned off is memorized, and the vehicle continues at the new set speed.

4. Accel Control

During cruise control driving, while the +RES SW is turned on, the throttle control motor is rotated to open the throttle valve and increase the driving speed.

The vehicle speed when the +RES SW is turned off is memorized and the vehicle continues at the new set speed.

5. Resume Control

If the vehicle speed is approximately 40 km/h (25 mph) or above after canceling the set speed with the CANCEL SW, pushing the +RES SW will cause the vehicle to resume the speed set before the cancellation.

6. Manual Cancel Mechanism

If any of the following signals is input during cruise control travelling, the cruise control is cancelled.

- * Depressing the clutch pedal (Cruise control clutch SW off). "Signal is not input to TERMINAL D of the ECU" (M/T)
- * Placing the shift lever to positions except "D" position (Park/Neutral position SW except "D" position) (A/T)
- * Pushing the CANCEL SW (CANCEL SW on). "Signal input to TERMINAL CCS of the ECU"
- * Pushing the CRUISE SW off "signal input to TERMINAL CCS of the ECU".
- * Depressing the brake pedal (Stop light SW on)

7. Tap-Up Control Function

When the difference between the actual vehicle speed and the set speed is less than 5 km/h (3 mph), the set speed can be increased 1.6 km/h (1 mph) each time by operating the +RES SW quickly within 0.6 seconds.

8. Tap-Down Control Function

When the difference between the actual vehicle speed and the set speed is less than 5 km/h (3 mph), the set speed can be lowered 1.6 km/h (1 mph) each time by operating the -SET SW quickly within 0.6 seconds.

9. Auto Cancel Function

A) If any of the following operating conditions occurs during cruise control operation, the set speed is erased and the cruise control is released, (CRUISE SW turns off).

When this occurs, the ignition SW must be turned off once before the CRUISE SW will turn on.

- * When abnormality is found in the stop light SW input circuit.
- * When abnormality is found in the cancel circuit.

B) If any of the following operating conditions occurs during cruise control operation, the set speed is erased and the cruise control is released. (CRUISE SW turn off).

When this occurs, the cancel state is cleared as the CRUISE SW will turn on again.

- * When abnormality is found in electronic throttle parts.
- * Open circuit in the stop light SW.
- * Momentary interruption of vehicle speed signal.
- * Short circuit in the stop light SW.

Cruise Control

10. Overdrive Control Function

The overdrive control may be cancelled if the vehicle travels on the slope during cruise control travelling. After the overdrive control has been cancelled it is decided that the slope is finished, the vehicle returns to the overdrive control mode again.

○ : Parts Location

Code	See Page	Code	See Page	Code	See Page	
A13	52 (S/D)	C20	B	49 (S/D)	D15	53 (S/D)
A20	52 (S/D)	C21		49 (S/D)	D34	53 (S/D)
A21	A	48 (S/D)	C27	49 (S/D)	D41	53 (S/D)
A25	48 (S/D)	C28	49 (S/D)	D42	53 (S/D)	
A29	52 (S/D)	D1	53 (S/D)	V1	B	52 (S/D)
C17	49 (S/D)	D3	A	53 (S/D)		

○ : Relay Blocks

Code	See Page	Relay Blocks (Relay Block Location)
1	24	Engine Room R/B (Engine Compartment Left)

○ : Junction Block and Wire Harness Connector

Code	See Page	Junction Block and Wire Harness (Connector Location)
1A	25	Engine Room Main Wire and Engine Room J/B (Engine Compartment Left)
4B	30	Engine Room Main Wire and Instrument Panel J/B (Lower Finish Panel)
4C	30	Instrument Panel Wire and Instrument Panel J/B (Lower Finish Panel)
4D		
4M	31	
4S		

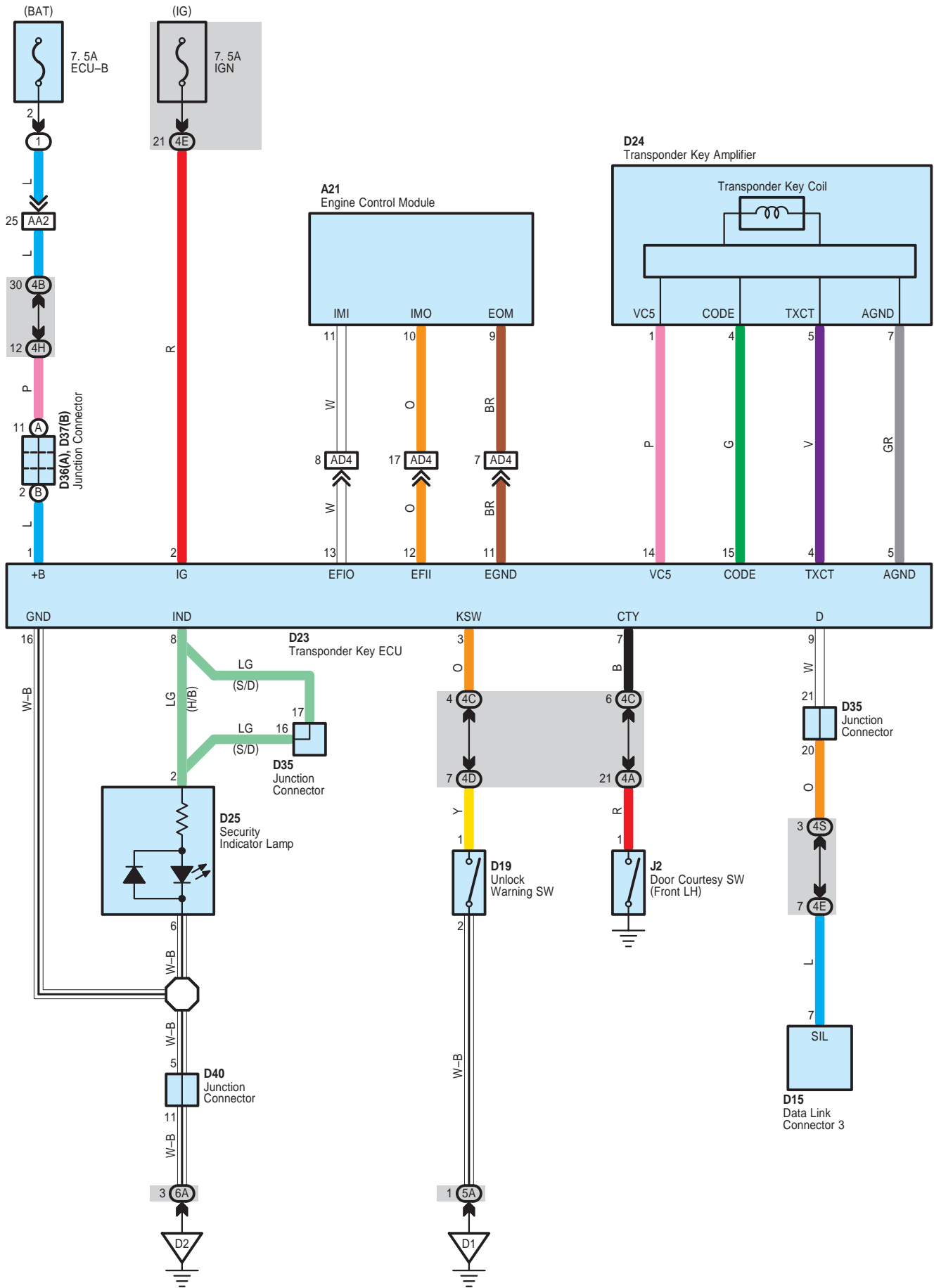
□ : Connector Joining Wire Harness and Wire Harness

Code	See Page	Joining Wire Harness and Wire Harness (Connector Location)
AA2	63 (S/D)	Engine Room Main Wire and Engine Room Main Wire (Instrument Panel Left)
AD2	63 (S/D)	Engine Room Main Wire and Instrument Panel Wire (Instrument Panel Left)
AD3		
AD4		
CA1	61 (S/D)	Engine Wire and Engine Room Main Wire (Engine Compartment Left)
CA2		

▽ : Ground Points

Code	See Page	Ground Points Location
A1	61 (S/D)	Left Suspension Tower
C1	61 (S/D)	Engine Block Left
C2		
D3	63 (S/D)	Instrument Panel Reinforcement Left

Engine Immobiliser System



 : **Parts Location**

Code	See Page	Code	See Page	Code	See Page	
A21	46 (H/B)	D24	51 (H/B)	D37	B	51 (H/B)
	48 (S/D)		53 (S/D)			53 (S/D)
D15	51 (H/B)	D25	51 (H/B)	D40		51 (H/B)
	53 (S/D)		53 (S/D)		53 (S/D)	
D19	51 (H/B)	D35	51 (H/B)	J2		55 (5-Door)
	53 (S/D)		53 (S/D)		57 (3-Door)	
D23	51 (H/B)	D36	A			59 (4-Door)
	53 (S/D)			51 (H/B)	53 (S/D)	

 : **Relay Blocks**

Code	See Page	Relay Blocks (Relay Block Location)
1	24	Engine Room R/B (Engine Compartment Left)

 : **Junction Block and Wire Harness Connector**

Code	See Page	Junction Block and Wire Harness (Connector Location)
4A	30	Floor Wire and Instrument Panel J/B (Lower Finish Panel)
4B	30	Engine Room Main Wire and Instrument Panel J/B (Lower Finish Panel)
4C	30	Instrument Panel Wire and Instrument Panel J/B (Lower Finish Panel)
4D		
4E		
4H		
4S	31	
5A	38	Instrument Panel Wire and J/B No.5 (Left Kick Panel)
6A	40	Instrument Panel Wire and J/B No.6 (Right Kick Panel)

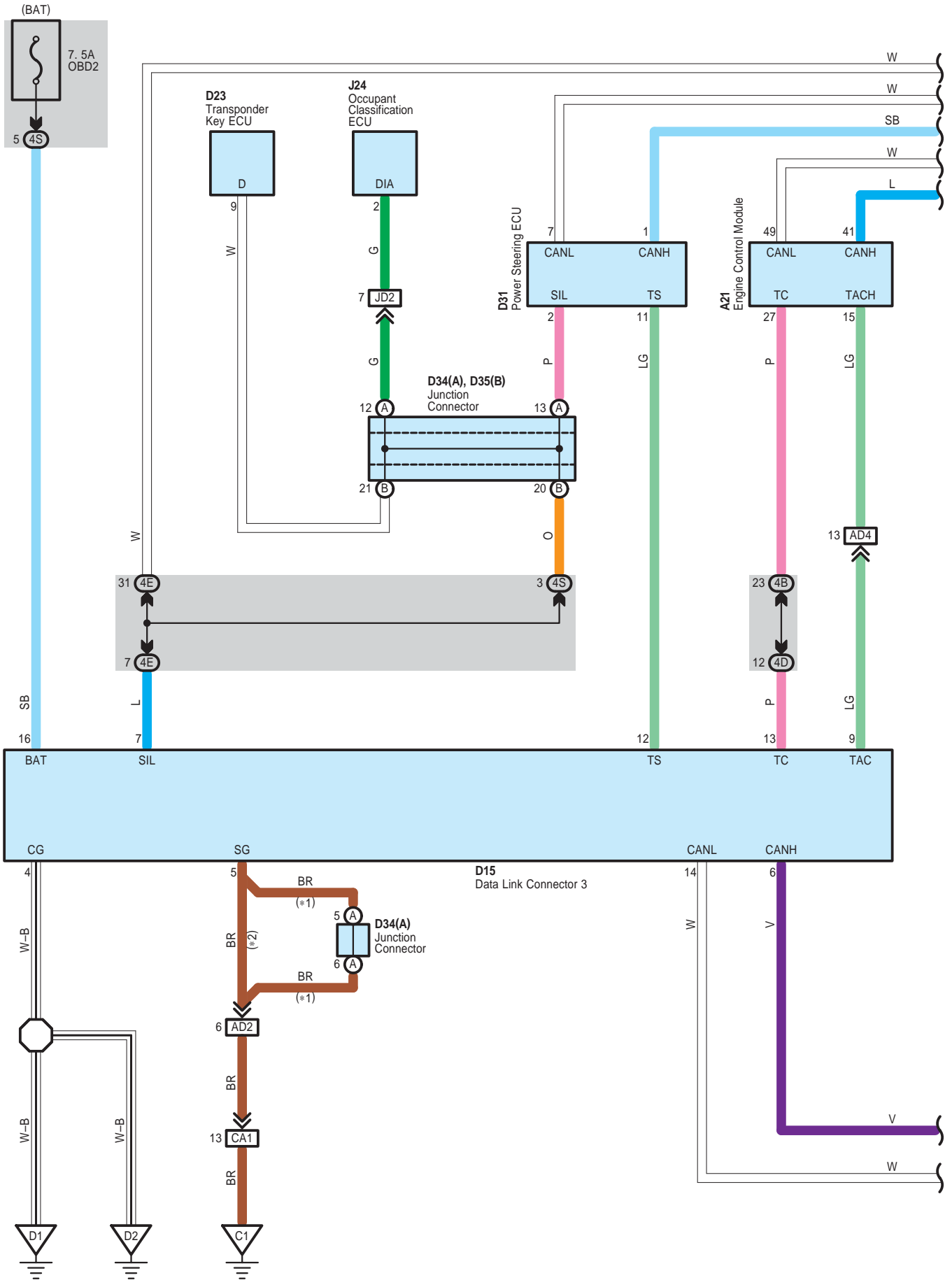
 : **Connector Joining Wire Harness and Wire Harness**

Code	See Page	Joining Wire Harness and Wire Harness (Connector Location)
AA2	62 (H/B)	Engine Room Main Wire and Engine Room Main Wire (Instrument Panel Left)
	63 (S/D)	
AD4	62 (H/B)	Engine Room Main Wire and Instrument Panel Wire (Instrument Panel Left)
	63 (S/D)	

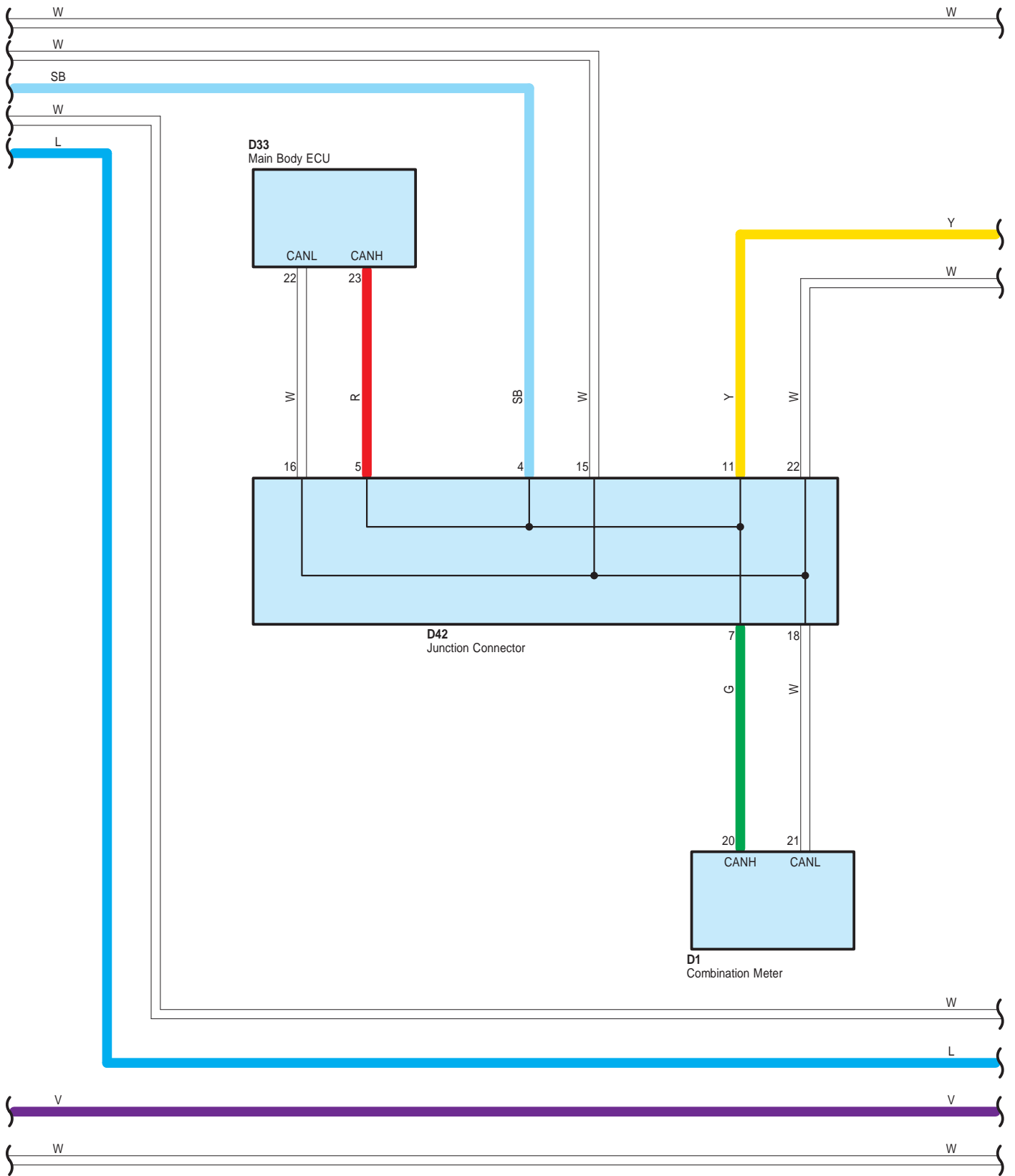
 : **Ground Points**

Code	See Page	Ground Points Location
D1	62 (H/B)	Left Kick Panel
	63 (S/D)	
D2	62 (H/B)	Right Kick Panel
	63 (S/D)	

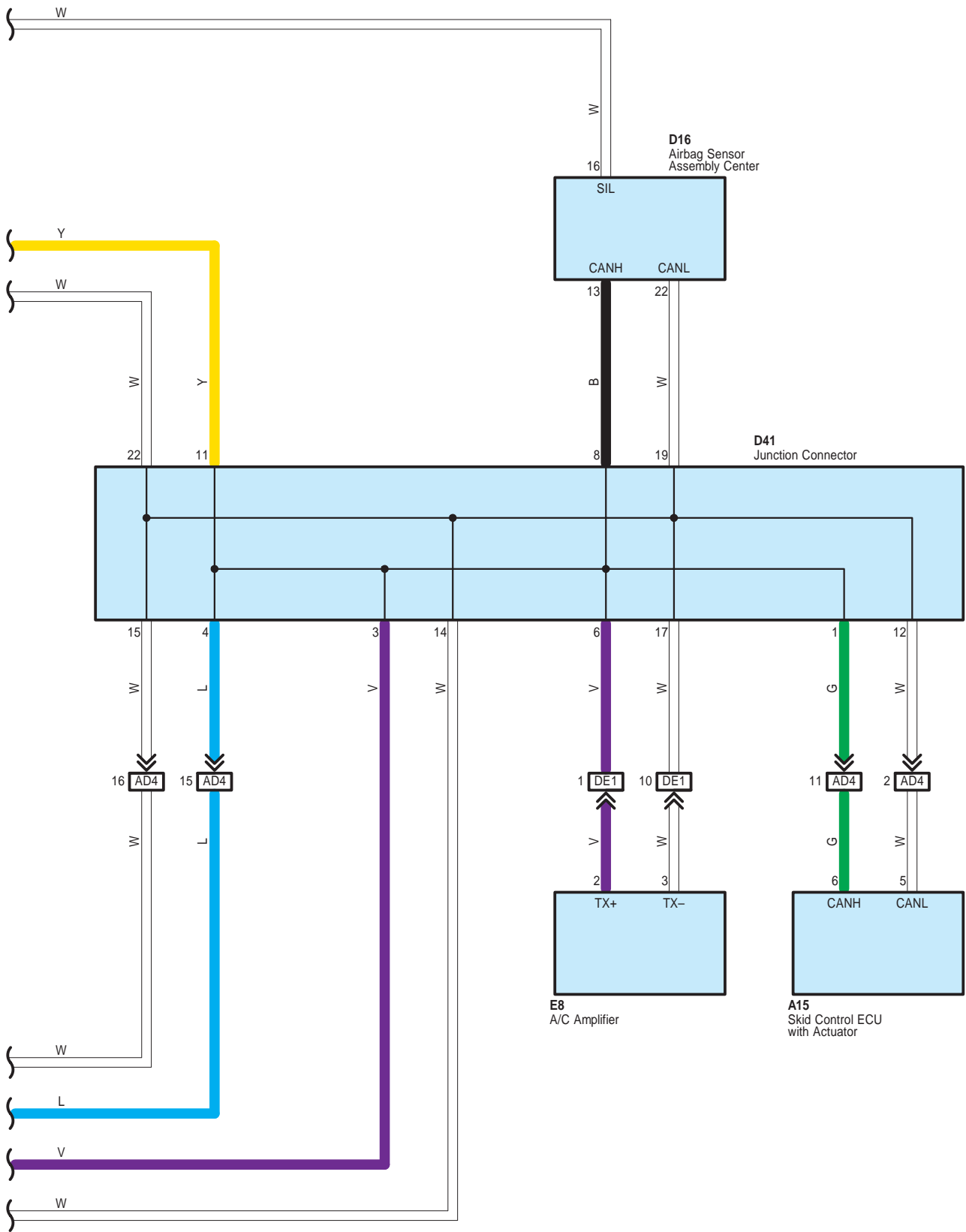
Data Link Connector 3



* 1 : w/ Cruise Control
 * 2 : w/o Cruise Control



Data Link Connector 3



 : **Parts Location**

Code	See Page	Code	See Page	Code	See Page
A15	46 (H/B)	D23	51 (H/B)	D41	51 (H/B)
	48 (S/D)		53 (S/D)		53 (S/D)
A21	46 (H/B)	D31	51 (H/B)	D42	51 (H/B)
	48 (S/D)		53 (S/D)		53 (S/D)
D1	51 (H/B)	D33	51 (H/B)	E8	50 (H/B)
	53 (S/D)		53 (S/D)		52 (S/D)
D15	51 (H/B)	D34	A	J24	55 (5-Door)
	53 (S/D)				53 (S/D)
D16	51 (H/B)	D35	B		59 (4-Door)
	53 (S/D)			53 (S/D)	

 : **Junction Block and Wire Harness Connector**

Code	See Page	Junction Block and Wire Harness (Connector Location)
4B	30	Engine Room Main Wire and Instrument Panel J/B (Lower Finish Panel)
4D	30	Instrument Panel Wire and Instrument Panel J/B (Lower Finish Panel)
4E		
4S	31	

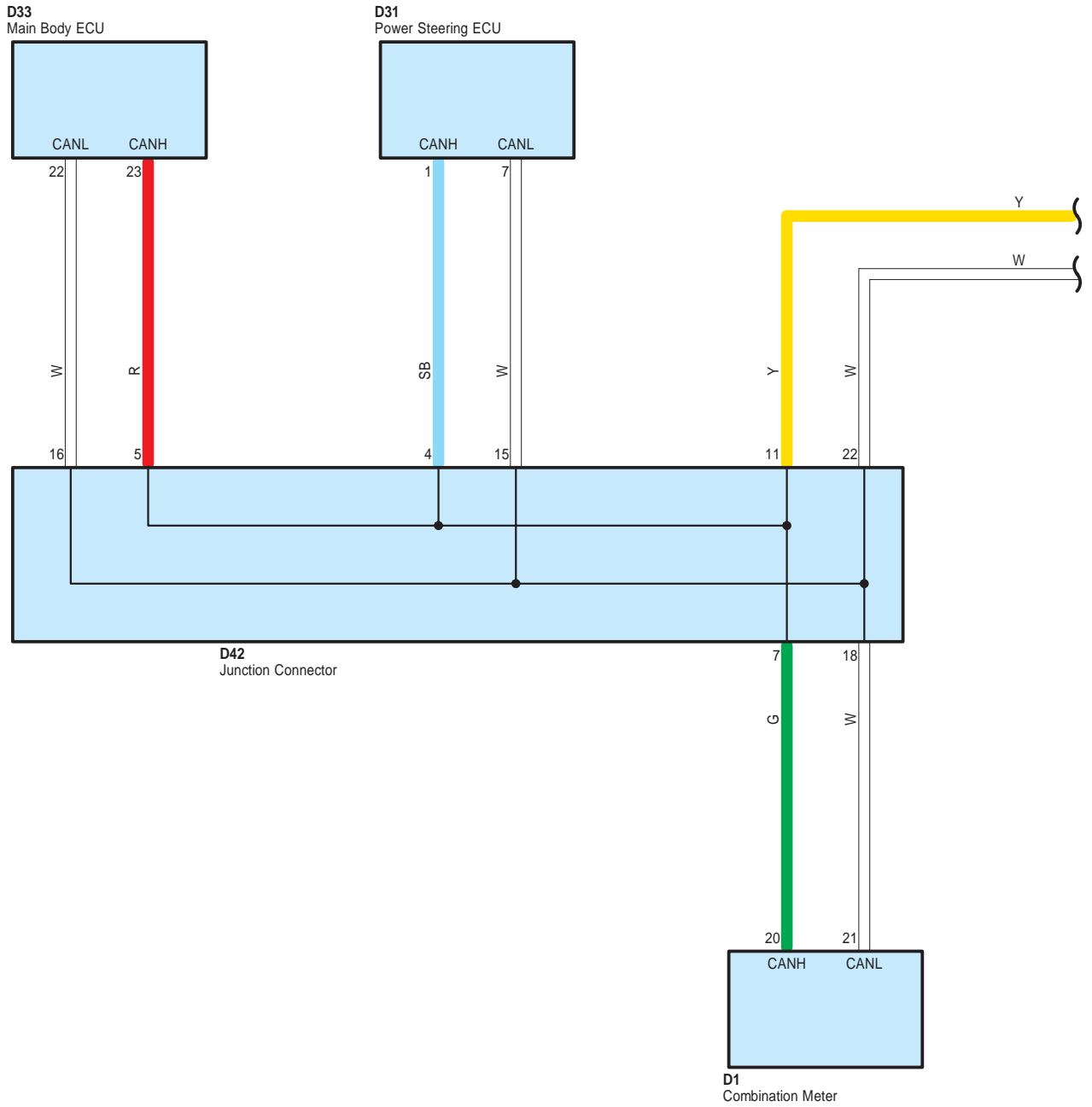
 : **Connector Joining Wire Harness and Wire Harness**

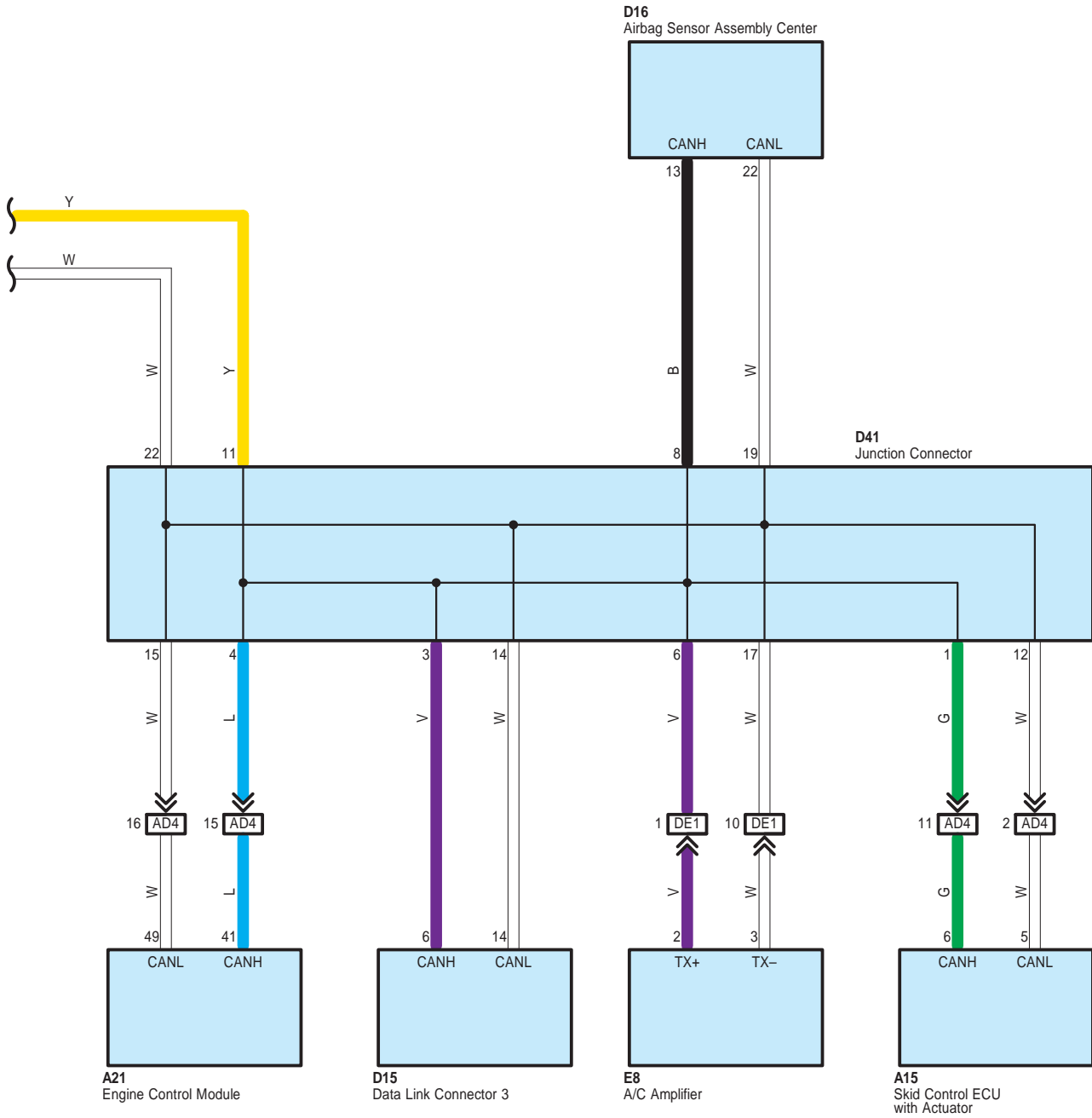
Code	See Page	Joining Wire Harness and Wire Harness (Connector Location)
AD2	62 (H/B)	Engine Room Main Wire and Instrument Panel Wire (Instrument Panel Left)
	63 (S/D)	
AD4	62 (H/B)	
	63 (S/D)	
CA1	60 (H/B)	Engine Wire and Engine Room Main Wire (Engine Compartment Left)
	61 (S/D)	
DE1	62 (H/B)	Instrument Panel Wire and Instrument Panel No.2 Wire (Instrument Panel Center)
	63 (S/D)	
JD2	62 (H/B)	Floor Wire and Instrument Panel Wire (Instrument Panel Left)
	63 (S/D)	

 : **Ground Points**

Code	See Page	Ground Points Location
C1	60 (H/B)	Engine Block Left
	61 (S/D)	
D1	62 (H/B)	Left Kick Panel
	63 (S/D)	
D2	62 (H/B)	Right Kick Panel
	63 (S/D)	

Multiplex Communication System – CAN





Multiplex Communication System – CAN

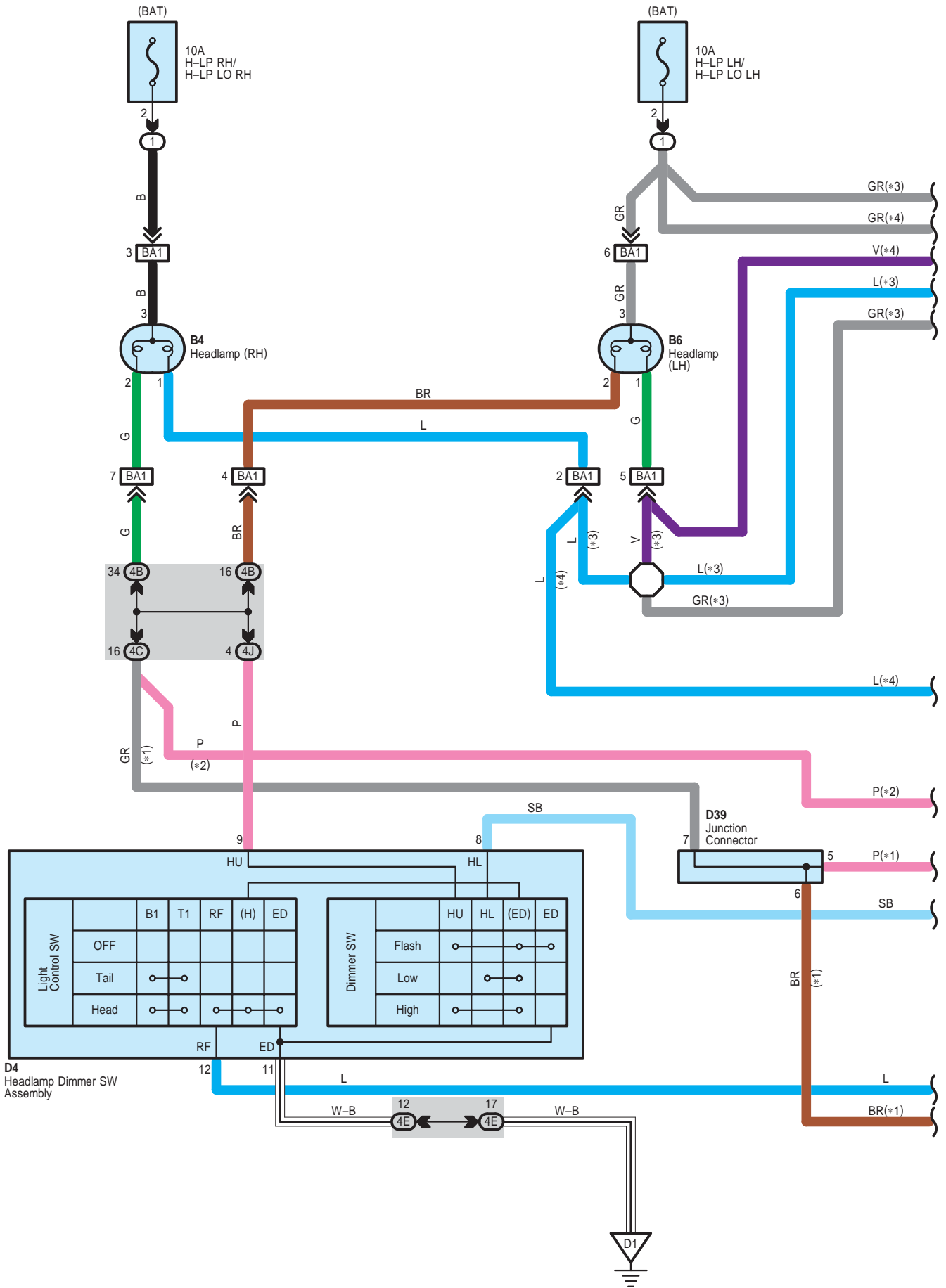
: Parts Location

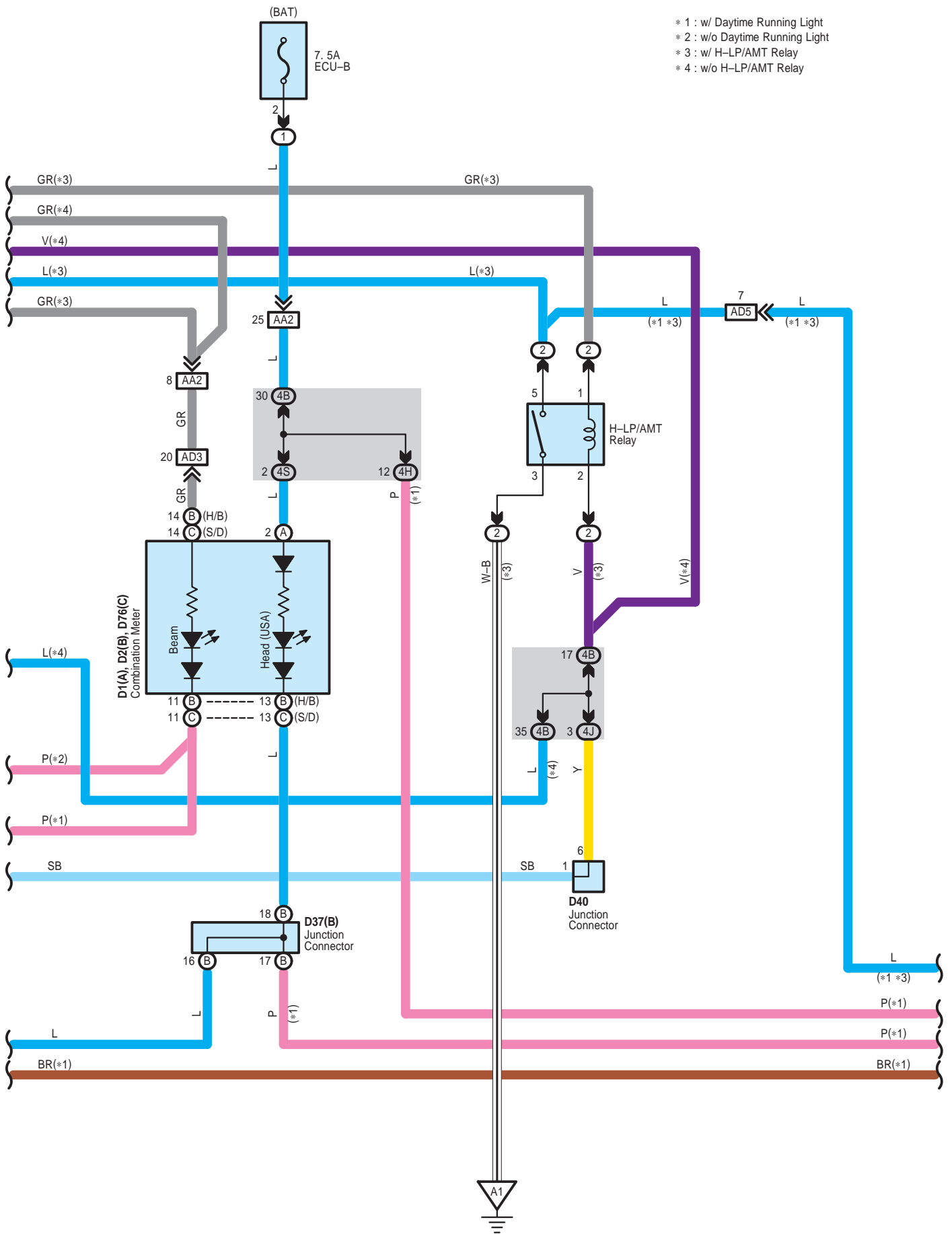
Code	See Page	Code	See Page	Code	See Page
A15	46 (H/B)	D15	53 (S/D)	D41	51 (H/B)
	48 (S/D)		51 (H/B)		53 (S/D)
A21	46 (H/B)	D16	53 (S/D)	D42	51 (H/B)
	48 (S/D)		51 (H/B)		53 (S/D)
D1	51 (H/B)	D31	53 (S/D)	E8	50 (H/B)
	53 (S/D)		51 (H/B)		52 (S/D)
D15	51 (H/B)	D33	53 (S/D)		

: Connector Joining Wire Harness and Wire Harness

Code	See Page	Joining Wire Harness and Wire Harness (Connector Location)
AD4	62 (H/B)	Engine Room Main Wire and Instrument Panel Wire (Instrument Panel Left)
	63 (S/D)	
DE1	62 (H/B)	Instrument Panel Wire and Instrument Panel No.2 Wire (Instrument Panel Center)
	63 (S/D)	

Headlight

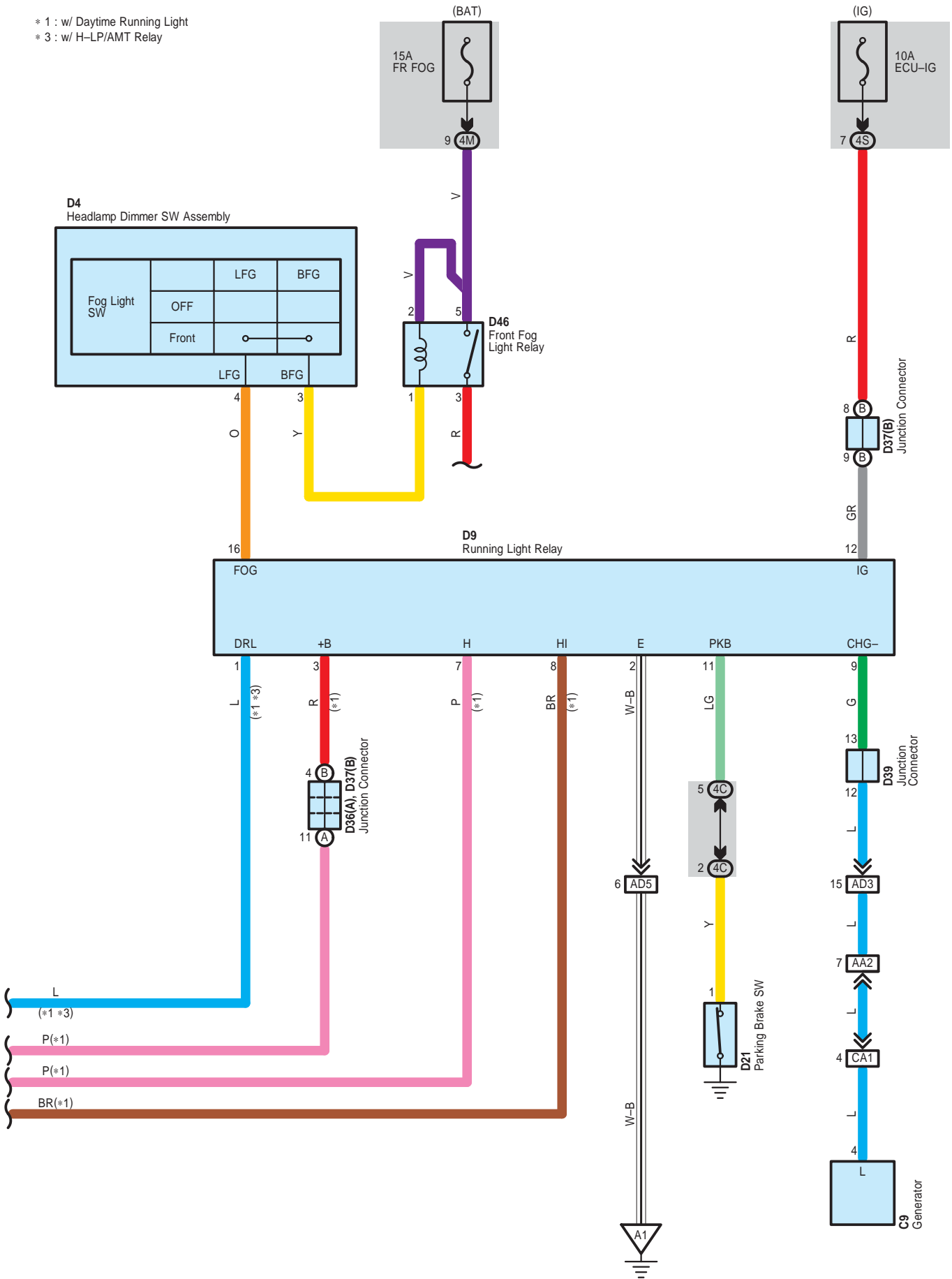




- * 1 : w/ Daytime Running Light
- * 2 : w/o Daytime Running Light
- * 3 : w/ H-LP/AMT Relay
- * 4 : w/o H-LP/AMT Relay

Headlight

- * 1 : w/ Daytime Running Light
- * 3 : w/ H-LP/AMT Relay



 : **Parts Location**

Code		See Page	Code		See Page	Code		See Page
B4		46 (H/B)	D4		51 (H/B)	D37	B	53 (S/D)
		48 (S/D)			53 (S/D)	D39		51 (H/B)
B6		46 (H/B)	D9		51 (H/B)			
		48 (S/D)			53 (S/D)	D40		51 (H/B)
C9		47 (H/B)	D21		51 (H/B)			
		49 (S/D)			53 (S/D)	D46		51 (H/B)
D1	A	51 (H/B)	D36	A	51 (H/B)			
		53 (S/D)			53 (S/D)	D76	C	53 (S/D)
D2	B	51 (H/B)	D37	B	51 (H/B)			

 : **Relay Blocks**

Code	See Page	Relay Blocks (Relay Block Location)
1	24	Engine Room R/B (Engine Compartment Left)
2	28	Engine Room R/B No.2 (Engine Compartment Right)

 : **Junction Block and Wire Harness Connector**

Code	See Page	Junction Block and Wire Harness (Connector Location)
4B	30	Engine Room Main Wire and Instrument Panel J/B (Lower Finish Panel)
4C	30	Instrument Panel Wire and Instrument Panel J/B (Lower Finish Panel)
4E		
4H		
4J		
4M	31	
4S		

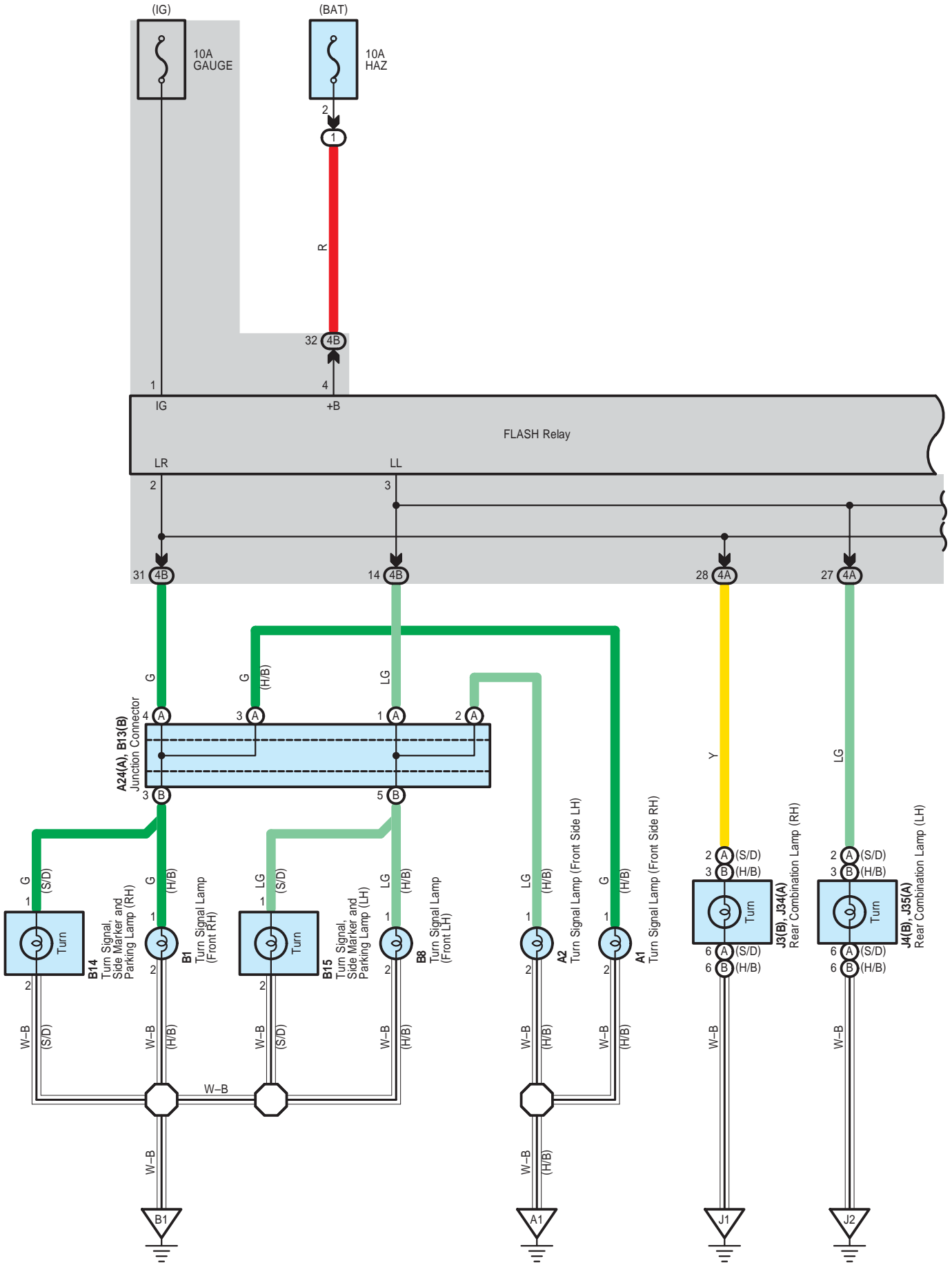
 : **Connector Joining Wire Harness and Wire Harness**

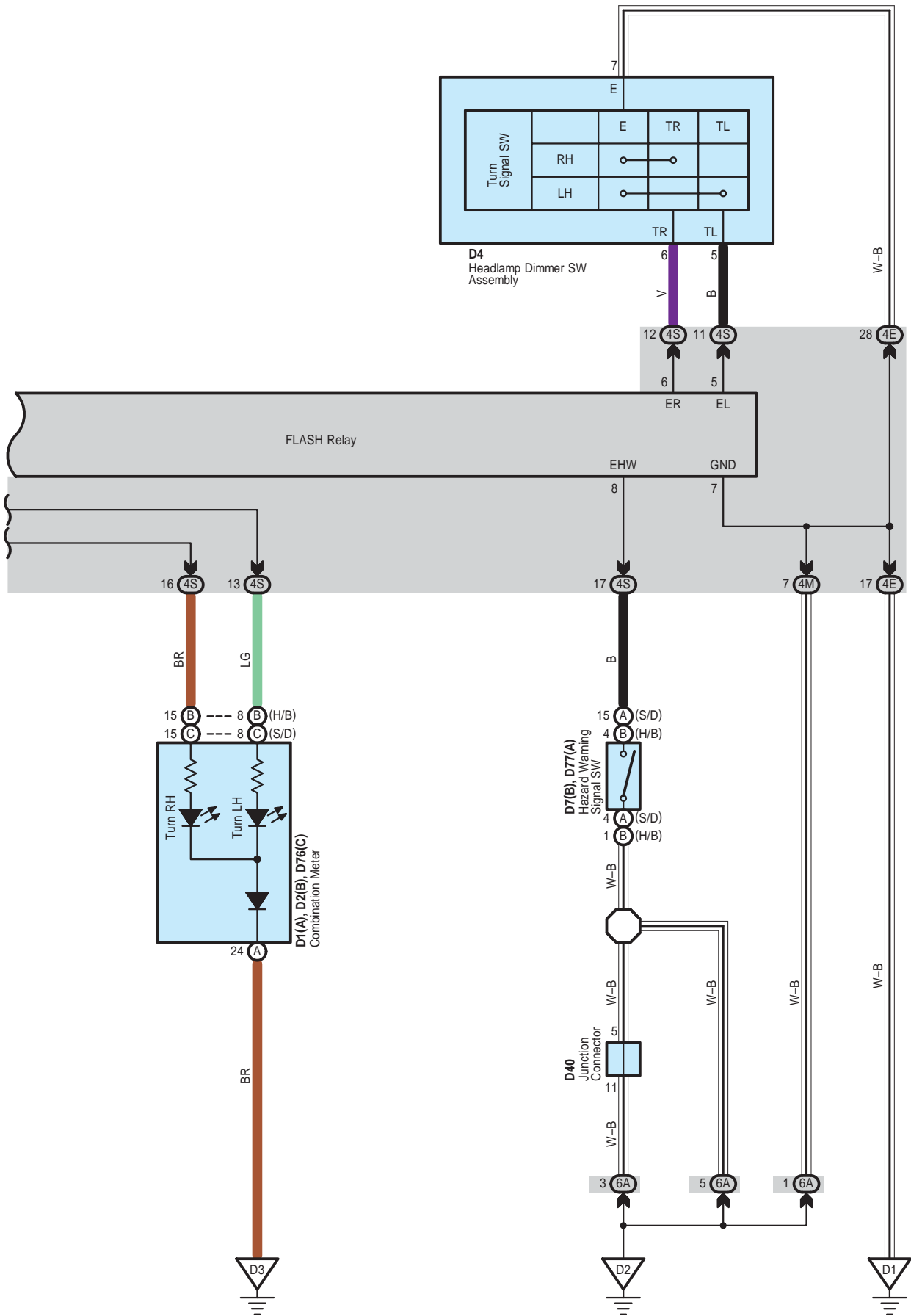
Code	See Page	Joining Wire Harness and Wire Harness (Connector Location)
AA2	62 (H/B)	Engine Room Main Wire and Engine Room Main Wire (Instrument Panel Left)
	63 (S/D)	
AD3	62 (H/B)	Engine Room Main Wire and Instrument Panel Wire (Instrument Panel Left)
	63 (S/D)	
AD5	62 (H/B)	
	63 (S/D)	
BA1	60 (H/B)	Engine Room No.2 Wire and Engine Room Main Wire (Engine Compartment Left)
	61 (S/D)	
CA1	60 (H/B)	Engine Wire and Engine Room Main Wire (Engine Compartment Left)
	61 (S/D)	

 : **Ground Points**

Code	See Page	Ground Points Location
A1	60 (H/B)	Left Suspension Tower
	61 (S/D)	
D1	62 (H/B)	Left Kick Panel
	63 (S/D)	

Turn Signal and Hazard Warning Light





Turn Signal and Hazard Warning Light

○ : Parts Location

Code	See Page	Code	See Page	Code	See Page
A1	46 (H/B)	B15	48 (S/D)	D76	C 53 (S/D)
A2	46 (H/B)	D1	A	D77	A 53 (S/D)
A24	46 (H/B)			J3	B
	48 (S/D)	D2	B		
B1	46 (H/B)	D4		J4	B 55 (5-Door)
B8	46 (H/B)			53 (S/D)	B
B13	46 (H/B)	D7	B	J34	A 59 (4-Door)
	48 (S/D)	D40		J35	A 59 (4-Door)
B14	48 (S/D)			53 (S/D)	

○ : Relay Blocks

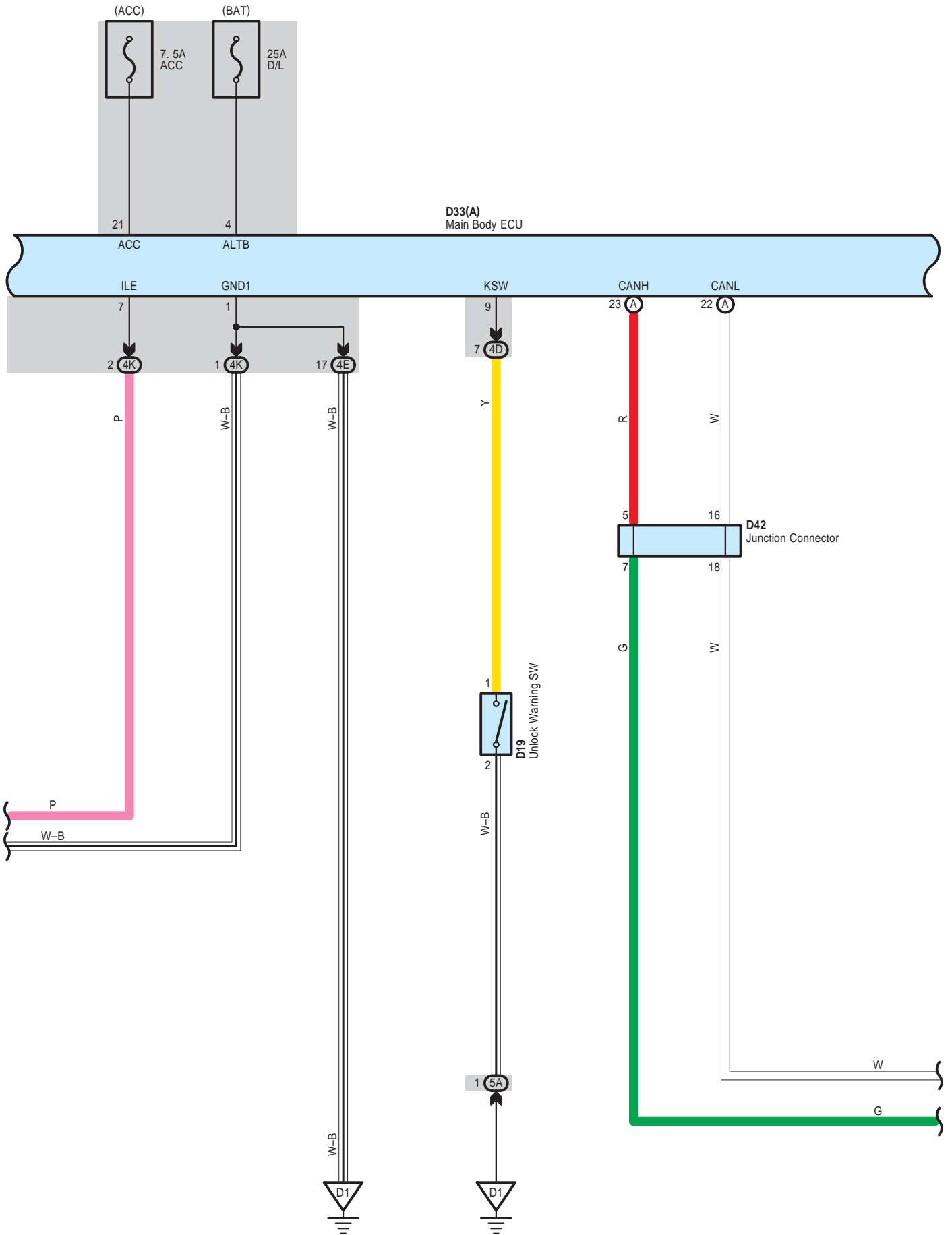
Code	See Page	Relay Blocks (Relay Block Location)
1	24	Engine Room R/B (Engine Compartment Left)

○ : Junction Block and Wire Harness Connector

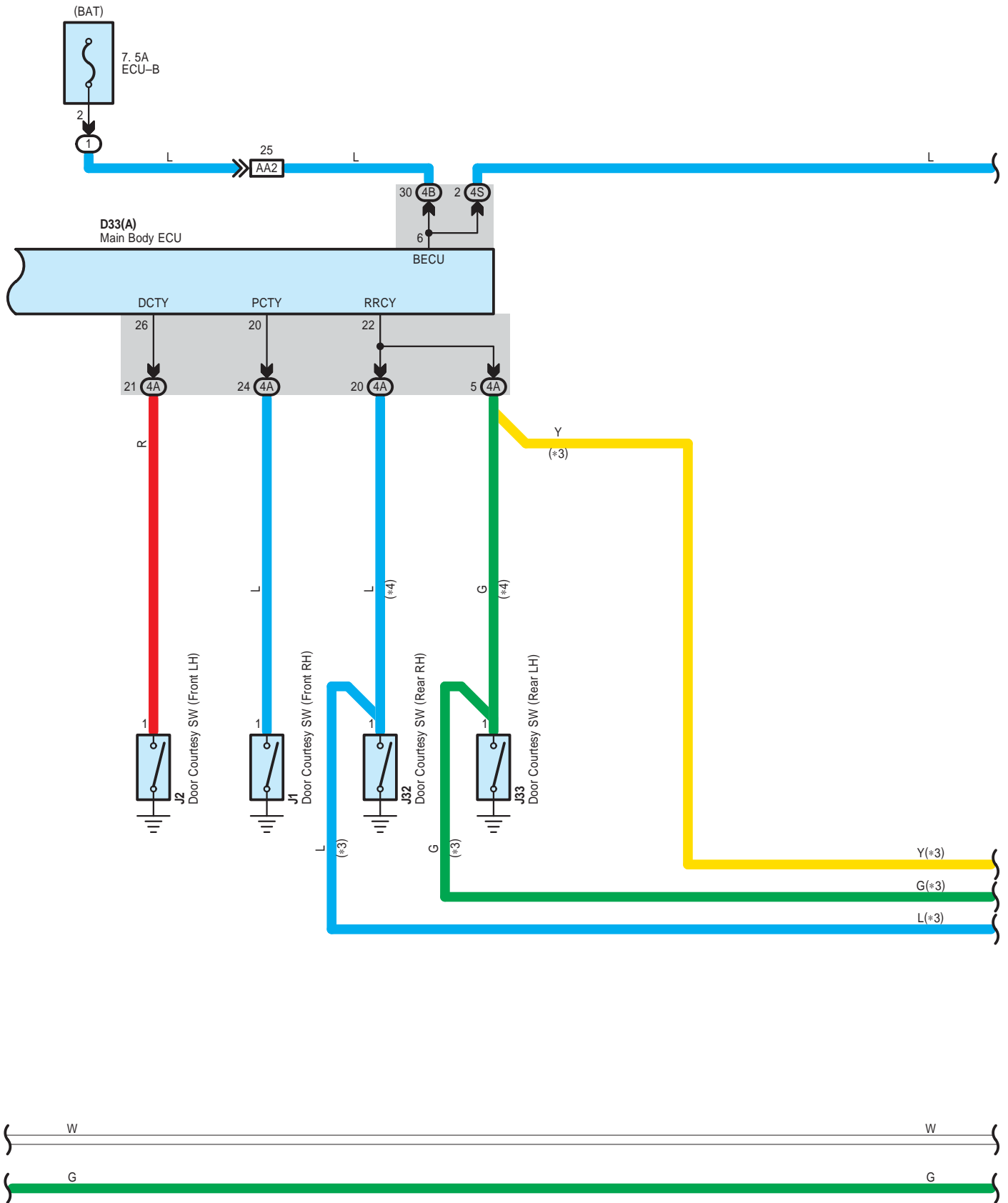
Code	See Page	Junction Block and Wire Harness (Connector Location)
4A	30	Floor Wire and Instrument Panel J/B (Lower Finish Panel)
4B	30	Engine Room Main Wire and Instrument Panel J/B (Lower Finish Panel)
4E	30	Instrument Panel Wire and Instrument Panel J/B (Lower Finish Panel)
4M	31	
4S		
6A	40	Instrument Panel Wire and J/B No.6 (Right Kick Panel)

▽ : Ground Points

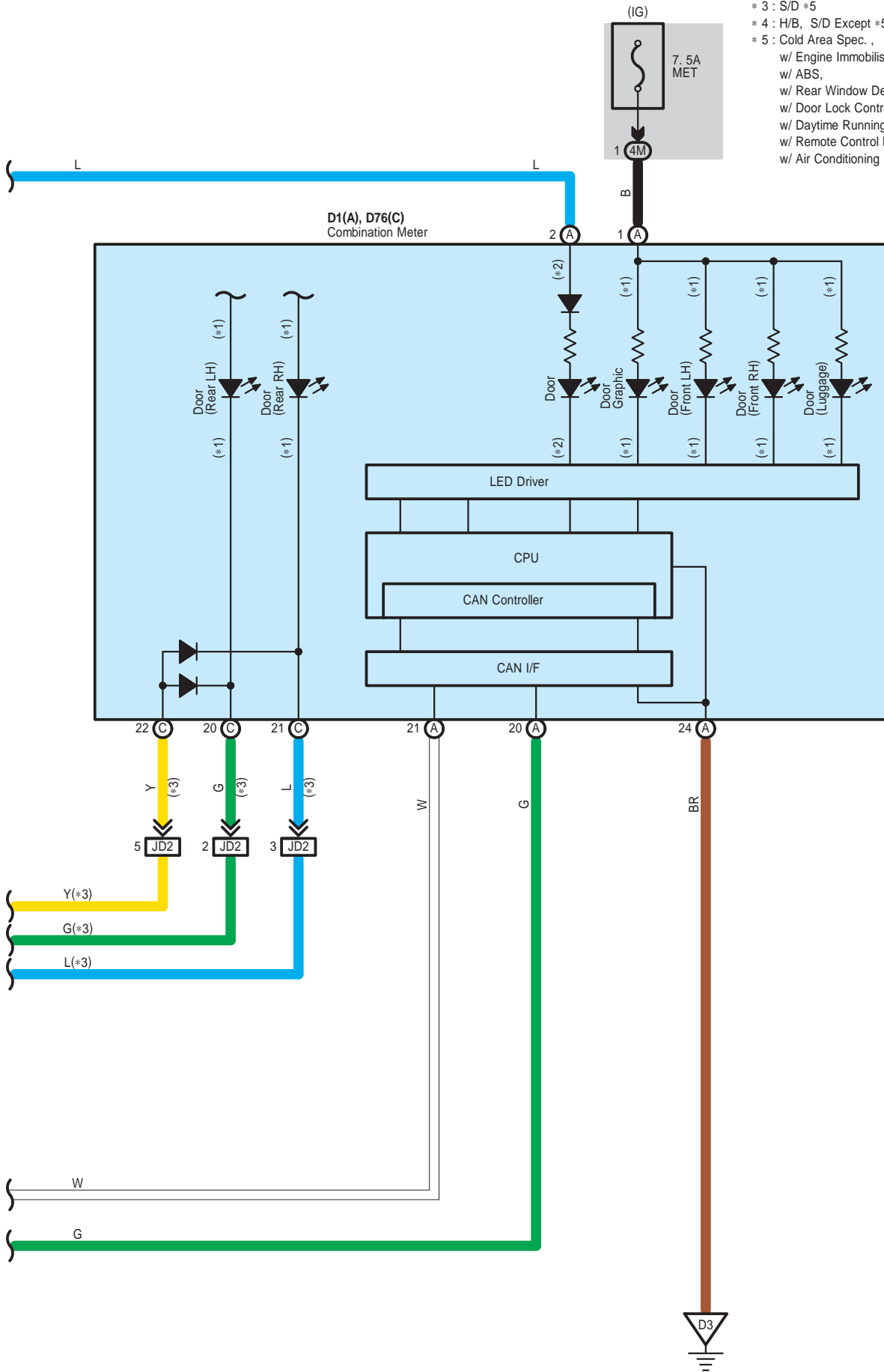
Code	See Page	Ground Points Location
A1	60 (H/B)	Left Suspension Tower
B1	60 (H/B)	Radiator Support Left
	61 (S/D)	
D1	62 (H/B)	Left Kick Panel
	63 (S/D)	
D2	62 (H/B)	Right Kick Panel
	63 (S/D)	
D3	62 (H/B)	Instrument Panel Reinforcement Left
	63 (S/D)	
J1	64 (5-Door)	Right Rear Quarter Panel
	65 (3-Door)	
	66 (4-Door)	Lower Back Panel Right
J2	64 (5-Door)	Left Rear Quarter Panel
	65 (3-Door)	
	66 (4-Door)	Lower Back Panel Left



Interior Light



- * 1 : S/D w/ Tachometer
- * 2 : S/D w/o Tachometer, H/B
- * 3 : S/D *5
- * 4 : H/B, S/D Except *5
- * 5 : Cold Area Spec. ,
w/ Engine Immobiliser System,
w/ ABS,
w/ Rear Window Defogger,
w/ Door Lock Control,
w/ Daytime Running Light,
w/ Remote Control Mirror,
w/ Air Conditioning



Interior Light

: Parts Location

Code		See Page	Code		See Page	Code		See Page		
D1	A	51 (H/B)	J1	59 (4-Door)		J30	59 (4-Door)			
		53 (S/D)		55 (5-Door)			J32	55 (5-Door)		
D19		51 (H/B)	J2	57 (3-Door)		J33		59 (4-Door)		
		53 (S/D)		59 (4-Door)			J42	55 (5-Door)		
D33	A	51 (H/B)	J12		55 (5-Door)			59 (4-Door)		
		53 (S/D)			57 (3-Door)		59 (4-Door)			
D38	A	51 (H/B)	J28		A	55 (5-Door)		K1	54 (5-Door)	
		53 (S/D)				57 (3-Door)			56 (3-Door)	
D39	B	51 (H/B)	J29		B	59 (4-Door)		K2	58 (4-Door)	
		53 (S/D)				55 (5-Door)			54 (5-Door)	
D42		51 (H/B)	J29		B	57 (3-Door)		K2	56 (3-Door)	
		53 (S/D)				59 (4-Door)			58 (4-Door)	
D76	C	53 (S/D)	J30		55 (5-Door)		N2	54 (5-Door)		
J1		55 (5-Door)						57 (3-Door)		56 (3-Door)
				57 (3-Door)						

: Relay Blocks

Code	See Page	Relay Blocks (Relay Block Location)
1	24	Engine Room R/B (Engine Compartment Left)

: Junction Block and Wire Harness Connector

Code	See Page	Junction Block and Wire Harness (Connector Location)
4A	30	Floor Wire and Instrument Panel J/B (Lower Finish Panel)
4B	30	Engine Room Main Wire and Instrument Panel J/B (Lower Finish Panel)
4D	30	Instrument Panel Wire and Instrument Panel J/B (Lower Finish Panel)
4E		
4K	30	Roof Wire and Instrument Panel J/B (Lower Finish Panel)
4M	31	Instrument Panel Wire and Instrument Panel J/B (Lower Finish Panel)
4P		
4S		
5A	38	Instrument Panel Wire and J/B No.5 (Left Kick Panel)

: Connector Joining Wire Harness and Wire Harness

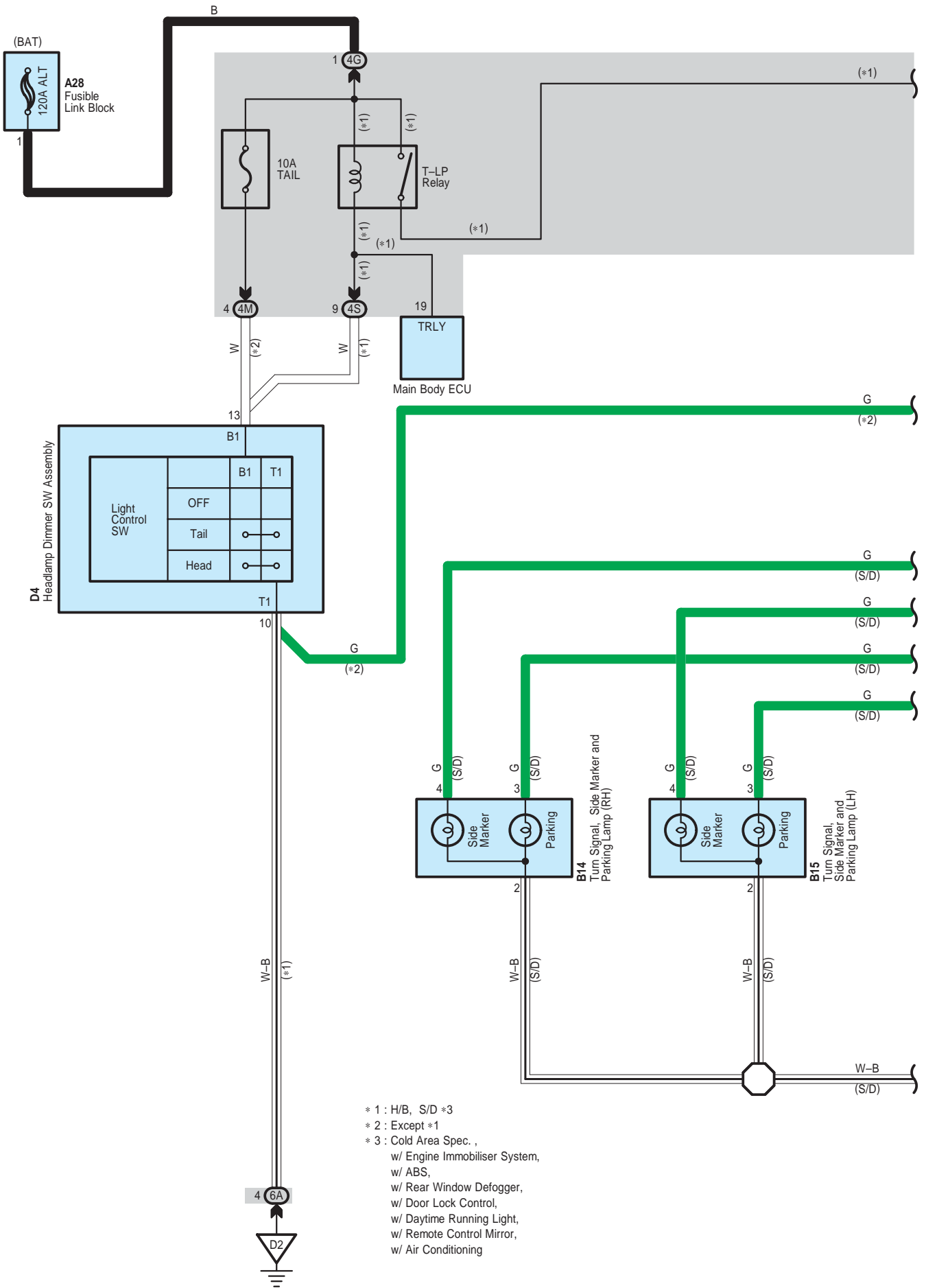
Code	See Page	Joining Wire Harness and Wire Harness (Connector Location)
AA2	62 (H/B)	Engine Room Main Wire and Engine Room Main Wire (Instrument Panel Left)
	63 (S/D)	
JD1	62 (H/B)	Floor Wire and Instrument Panel Wire (Instrument Panel Left)
	63 (S/D)	
JD2	63 (S/D)	
MJ1	64 (5-Door)	Back Door No.1 Wire and Floor Wire (Left Rear Quarter Panel)
	65 (3-Door)	
MN1	64 (5-Door)	Back Door No.1 Wire and Back Door No.2 Wire (Back Door Panel Center)
	65 (3-Door)	



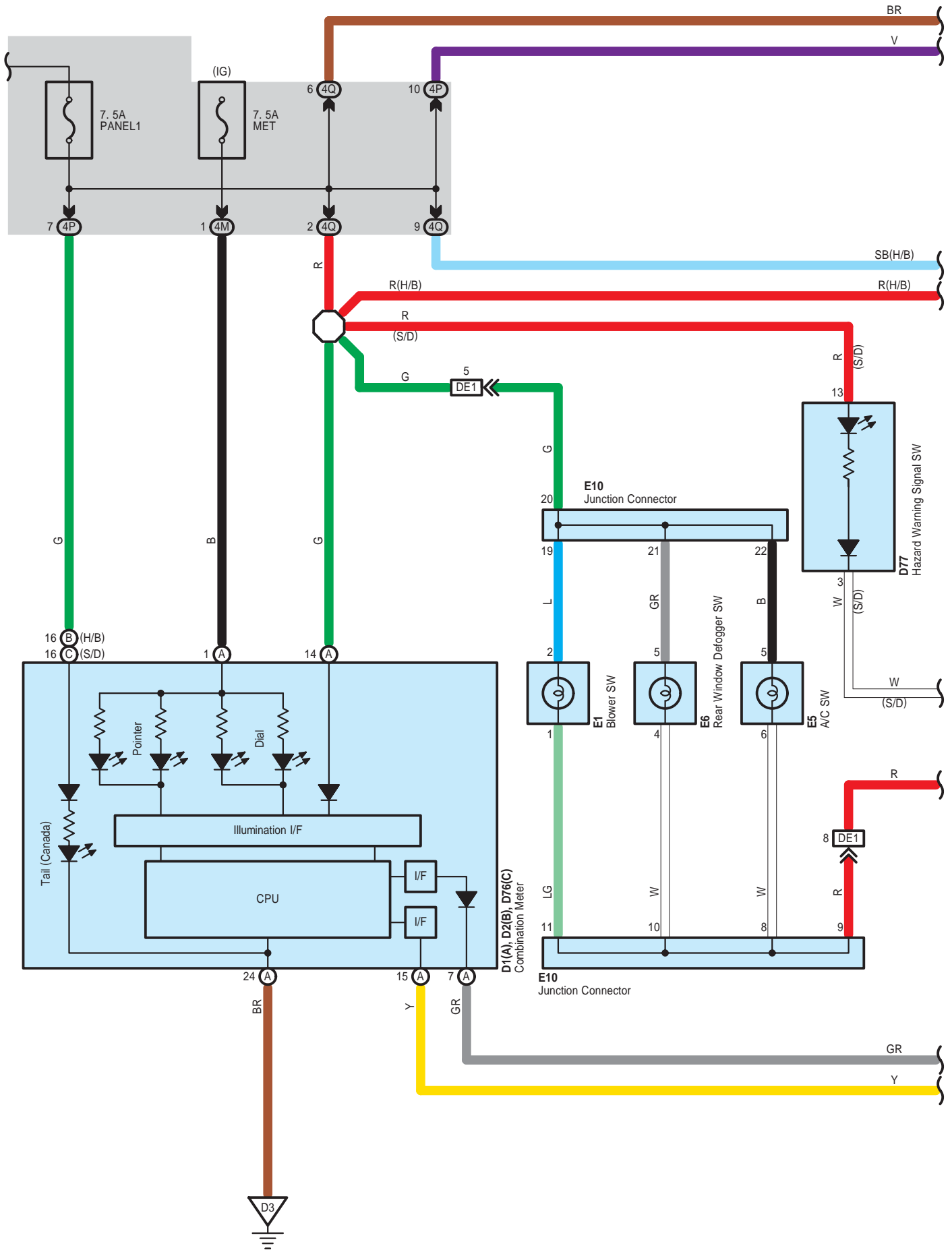
: Ground Points

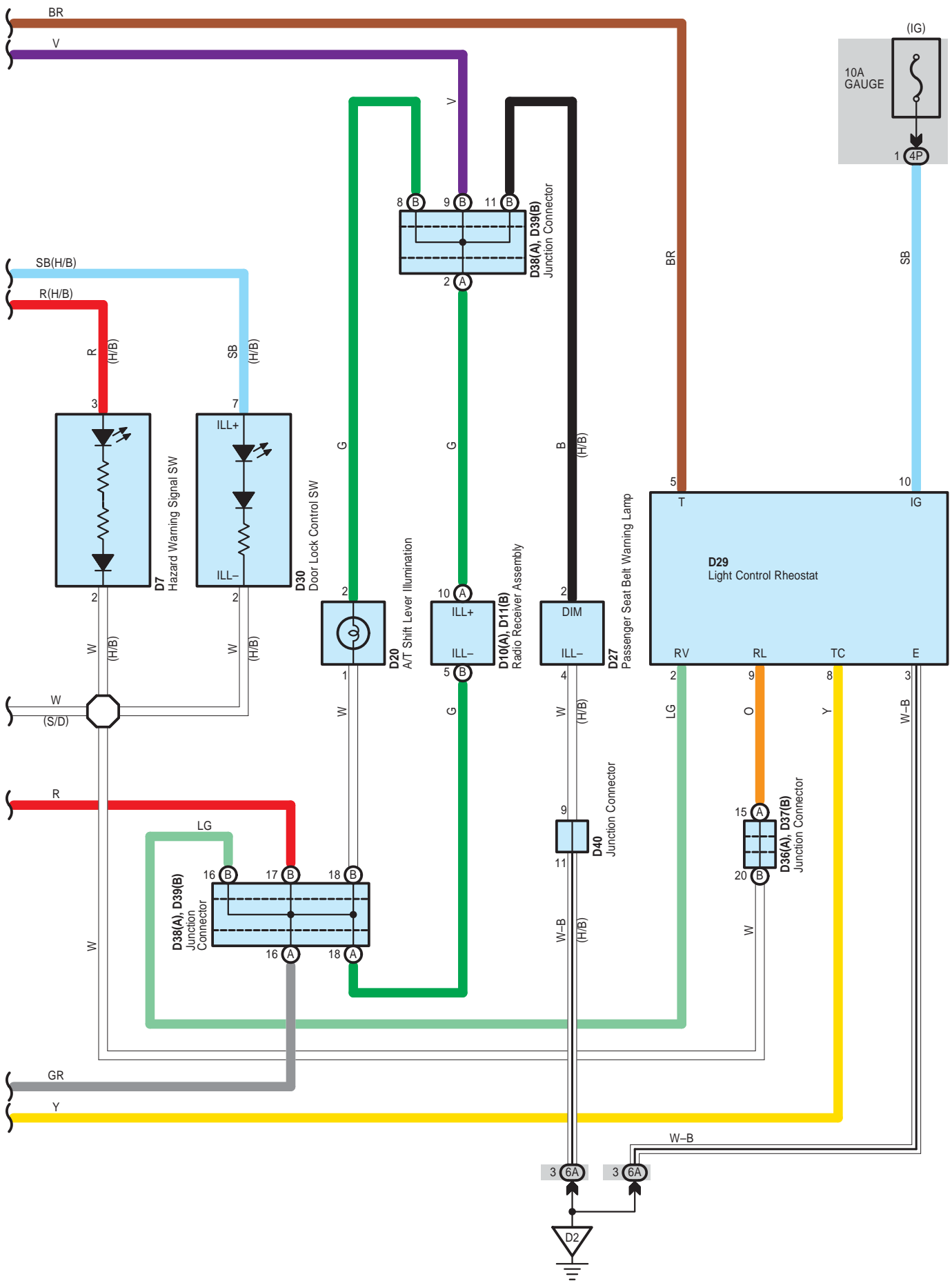
Code	See Page	Ground Points Location
D1	62 (H/B)	Left Kick Panel
	63 (S/D)	
D3	62 (H/B)	Instrument Panel Reinforcement Left
	63 (S/D)	
J2	66 (4-Door)	Lower Back Panel Left
N1	64 (5-Door)	Back Door Panel Center
	65 (3-Door)	

Taillight and Illumination



Taillight and Illumination





YARIS (EM01V0U)

Taillight and Illumination

○ : Parts Location

Code		See Page	Code		See Page	Code		See Page
A24	A	46 (H/B)	D10	A	53 (S/D)	D77	53 (S/D)	
		48 (S/D)			51 (H/B)		E1	50 (H/B)
A28		43, 46 (H/B)	D11	B	53 (S/D)	E5		52 (S/D)
		43, 48 (S/D)			51 (H/B)		E6	50 (H/B)
B3		46 (H/B)	D20		53 (S/D)			52 (S/D)
B7		46 (H/B)	D27		51 (H/B)		50 (H/B)	
B11		46 (H/B)	D29		51 (H/B)		52 (S/D)	
B12		46 (H/B)			53 (S/D)	E10	50 (H/B)	
B13	B	46 (H/B)	D30		51 (H/B)			52 (S/D)
		48 (S/D)	D36	A	51 (H/B)	J3	B	55 (5-Door)
B14	48 (S/D)	53 (S/D)			57 (3-Door)			
B15		48 (S/D)	D37	B	51 (H/B)	J4	B	55 (5-Door)
D1	A	51 (H/B)			53 (S/D)			57 (3-Door)
		53 (S/D)	D38	A	51 (H/B)	J34	A	59 (4-Door)
D2	B	51 (H/B)			53 (S/D)	J35	A	59 (4-Door)
D4		51 (H/B)	D39	B	51 (H/B)	J36		59 (4-Door)
		53 (S/D)			53 (S/D)	J37		59 (4-Door)
D7		51 (H/B)	D40		51 (H/B)	L1		54 (5-Door)
D10	A	51 (H/B)	D76	C	53 (S/D)			56 (3-Door)

○ : Junction Block and Wire Harness Connector

Code	See Page	Junction Block and Wire Harness (Connector Location)
4A	30	Floor Wire and Instrument Panel J/B (Lower Finish Panel)
4B	30	Engine Room Main Wire and Instrument Panel J/B (Lower Finish Panel)
4E	30	Instrument Panel Wire and Instrument Panel J/B (Lower Finish Panel)
4G	30	Engine Room Main Wire and Instrument Panel J/B (Lower Finish Panel)
4M	31	Instrument Panel Wire and Instrument Panel J/B (Lower Finish Panel)
4P		
4Q		
4S		
6A	40	Instrument Panel Wire and J/B No.6 (Right Kick Panel)

□ : Connector Joining Wire Harness and Wire Harness

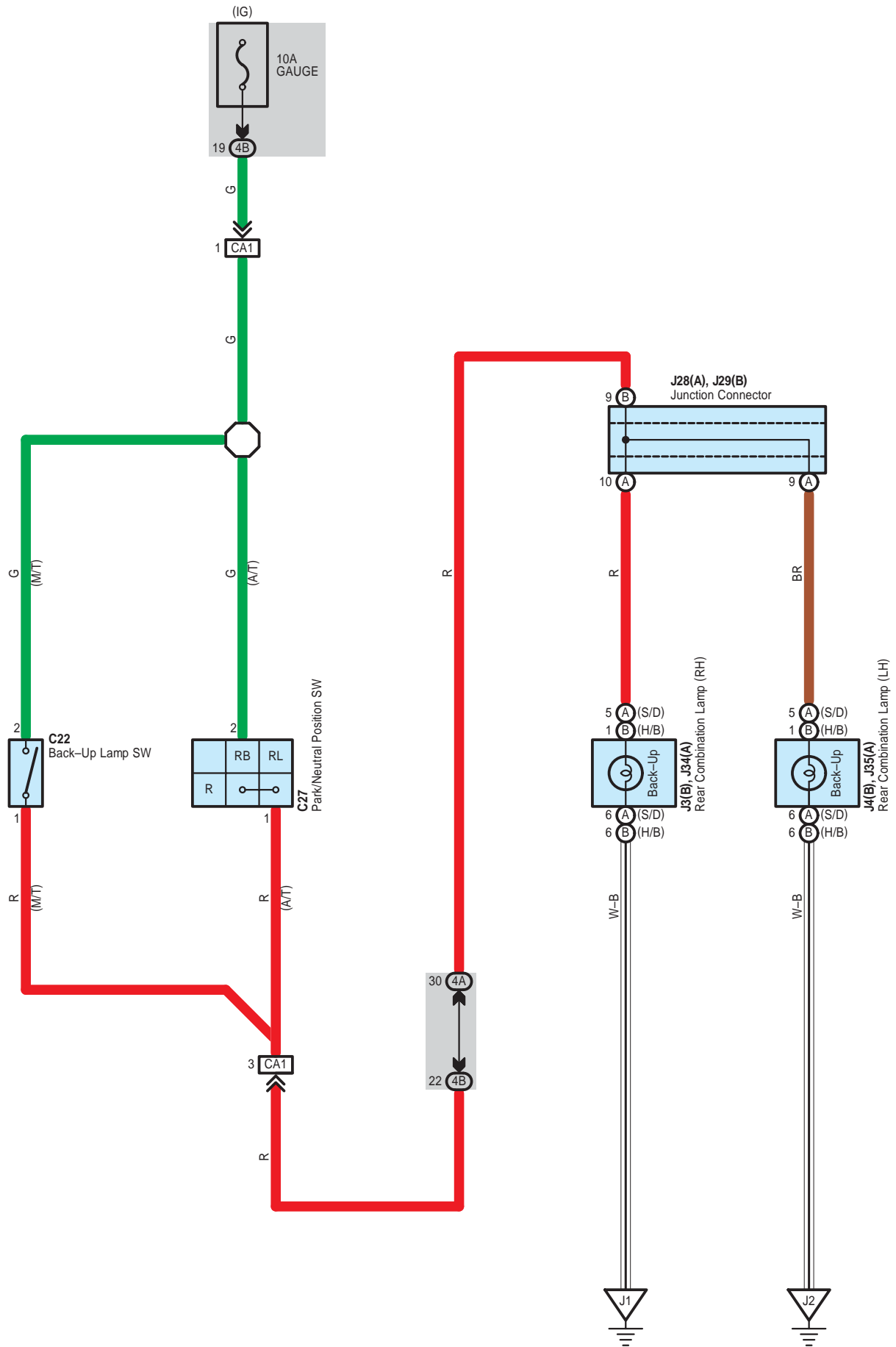
Code	See Page	Joining Wire Harness and Wire Harness (Connector Location)
BA1	60 (H/B)	Engine Room No.2 Wire and Engine Room Main Wire (Engine Compartment Left)
	61 (S/D)	
DE1	62 (H/B)	Instrument Panel Wire and Instrument Panel No.2 Wire (Instrument Panel Center)
	63 (S/D)	
LJ1	64 (5-Door)	Luggage Room No.2 Wire and Floor Wire (Luggage Room Left)
	65 (3-Door)	



: Ground Points

Code	See Page	Ground Points Location
A1	60 (H/B)	Left Suspension Tower
	61 (S/D)	
B1	60 (H/B)	Radiator Support Left
	61 (S/D)	
D2	62 (H/B)	Right Kick Panel
	63 (S/D)	
D3	62 (H/B)	Instrument Panel Reinforcement Left
	63 (S/D)	
J1	64 (5-Door)	Right Rear Quarter Panel
	65 (3-Door)	
	66 (4-Door)	Lower Back Panel Right
J2	64 (5-Door)	Left Rear Quarter Panel
	65 (3-Door)	
	66 (4-Door)	Lower Back Panel Left

Back-Up Light



 : **Parts Location**

Code	See Page	Code	See Page	Code	See Page		
C22	47 (H/B)	J4	B	55 (5-Door)	J29	B	57 (3-Door)
	49 (S/D)			57 (3-Door)			59 (4-Door)
C27	47 (H/B)	J28	A	55 (5-Door)	J34	A	59 (4-Door)
	49 (S/D)			57 (3-Door)	J35	A	59 (4-Door)
J3	B	J29	B	55 (5-Door)			
				57 (3-Door)			

 : **Junction Block and Wire Harness Connector**

Code	See Page	Junction Block and Wire Harness (Connector Location)
4A	30	Floor Wire and Instrument Panel J/B (Lower Finish Panel)
4B	30	Engine Room Main Wire and Instrument Panel J/B (Lower Finish Panel)

 : **Connector Joining Wire Harness and Wire Harness**

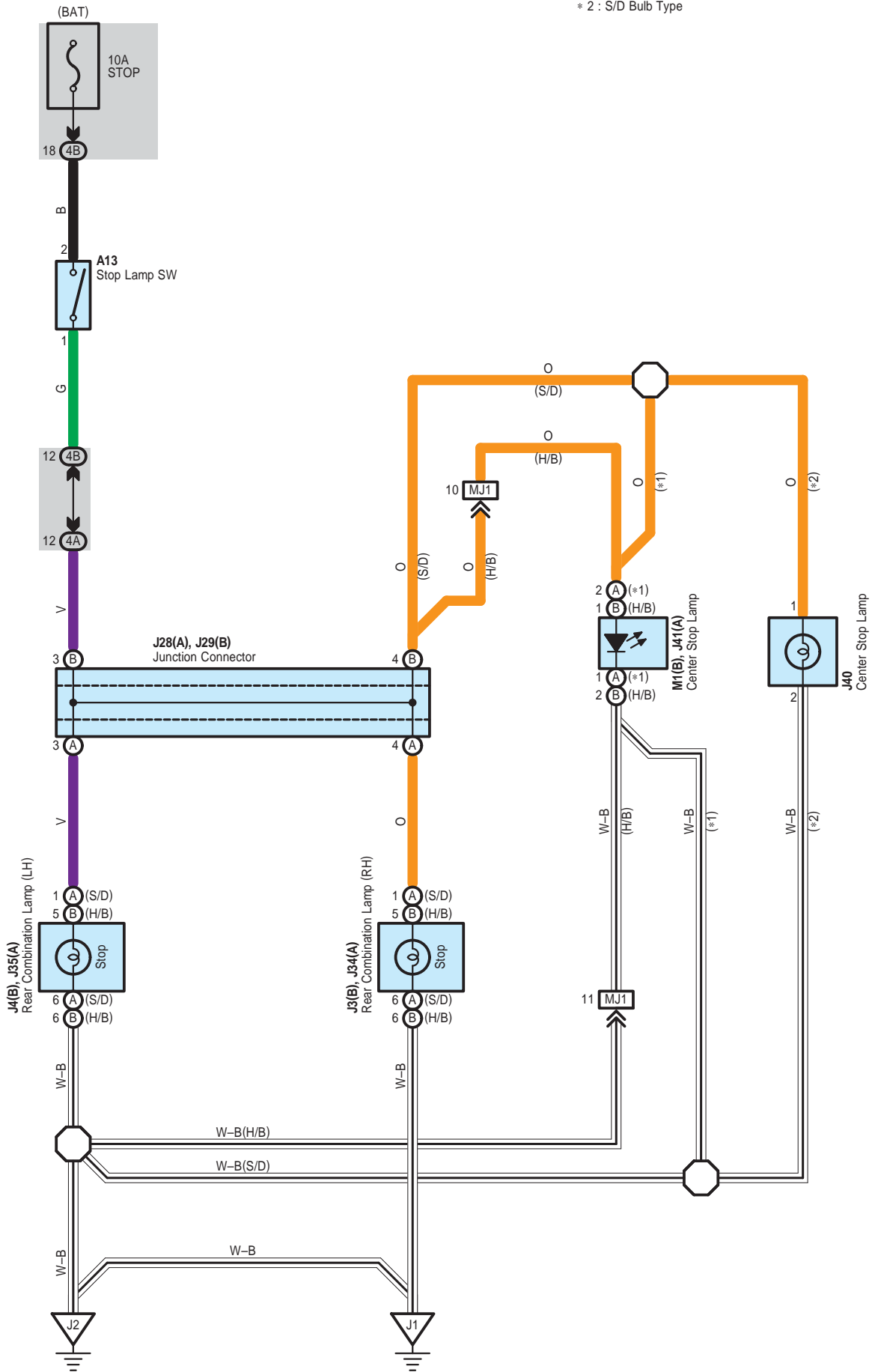
Code	See Page	Joining Wire Harness and Wire Harness (Connector Location)
CA1	60 (H/B)	Engine Wire and Engine Room Main Wire (Engine Compartment Left)
	61 (S/D)	

 : **Ground Points**

Code	See Page	Ground Points Location
J1	64 (5-Door)	Right Rear Quarter Panel
	65 (3-Door)	
	66 (4-Door)	Lower Back Panel Right
J2	64 (5-Door)	Left Rear Quarter Panel
	65 (3-Door)	
	66 (4-Door)	Lower Back Panel Left

Stop Light

- * 1 : S/D LED Type
- * 2 : S/D Bulb Type



 : **Parts Location**

Code	See Page	Code	See Page	Code	See Page	
A13	50 (H/B)	J28	A	J34	A	59 (4-Door)
	52 (S/D)			J35	A	59 (4-Door)
J3	B	J29	B	J40		59 (4-Door)
				J41	A	59 (4-Door)
J4	B	J29	B	M1	B	54 (5-Door)
						56 (3-Door)

 : **Junction Block and Wire Harness Connector**

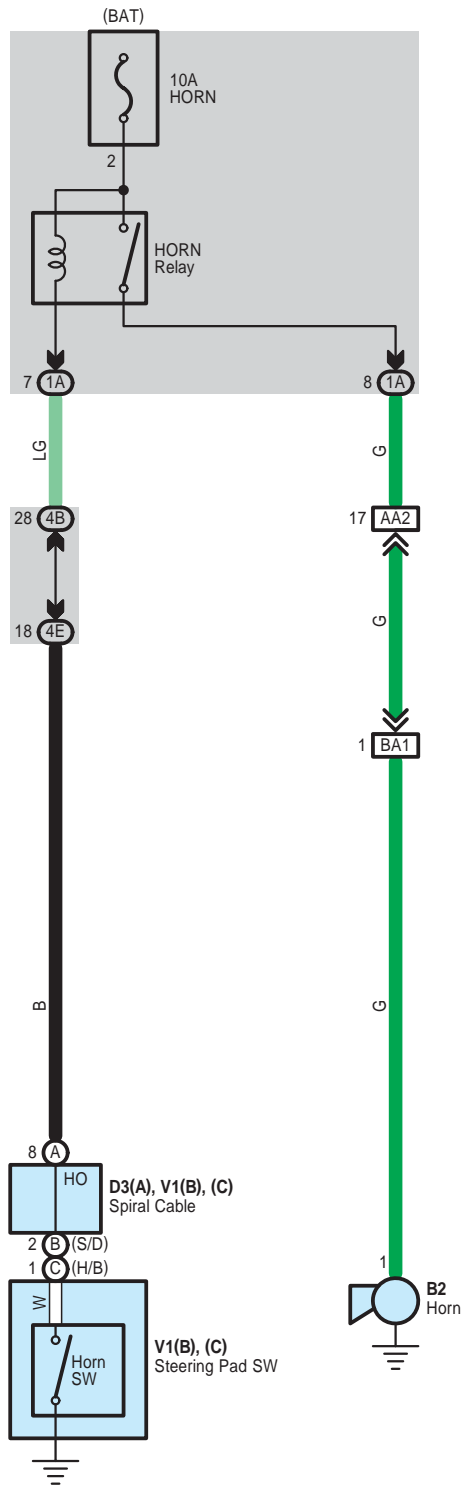
Code	See Page	Junction Block and Wire Harness (Connector Location)
4A	30	Floor Wire and Instrument Panel J/B (Lower Finish Panel)
4B	30	Engine Room Main Wire and Instrument Panel J/B (Lower Finish Panel)

 : **Connector Joining Wire Harness and Wire Harness**

Code	See Page	Joining Wire Harness and Wire Harness (Connector Location)
MJ1	64 (5-Door)	Back Door No.1 Wire and Floor Wire (Left Rear Quarter Panel)
	65 (3-Door)	

 : **Ground Points**

Code	See Page	Ground Points Location
J1	64 (5-Door)	Right Rear Quarter Panel
	65 (3-Door)	
	66 (4-Door)	Lower Back Panel Right
J2	64 (5-Door)	Left Rear Quarter Panel
	65 (3-Door)	
	66 (4-Door)	Lower Back Panel Left



: Parts Location

Code	See Page	Code		See Page	Code		See Page
B2	46 (H/B)	D3	A	51 (H/B)	V1	B	52 (S/D)
	48 (S/D)			53 (S/D)		C	50 (H/B)

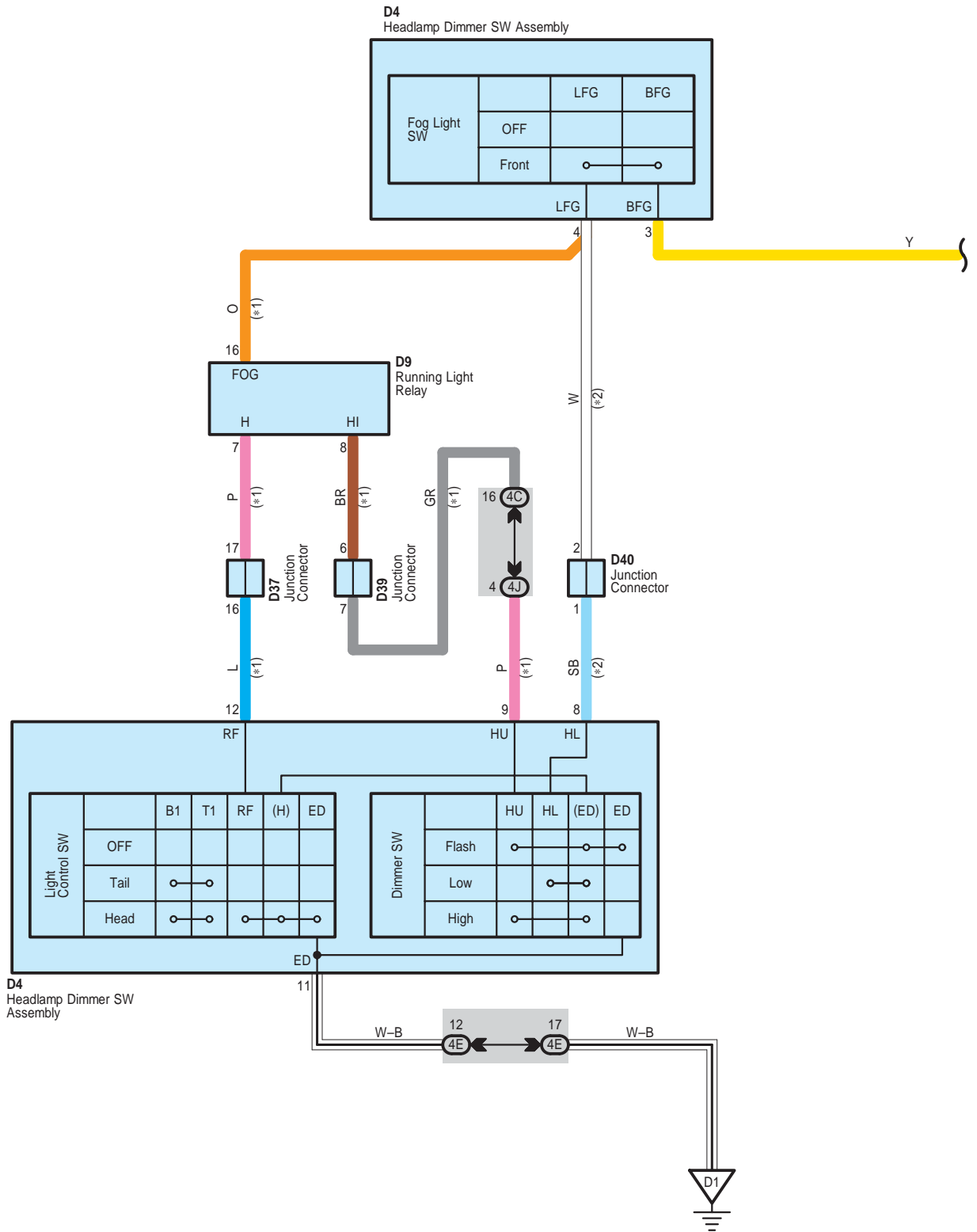
: Junction Block and Wire Harness Connector

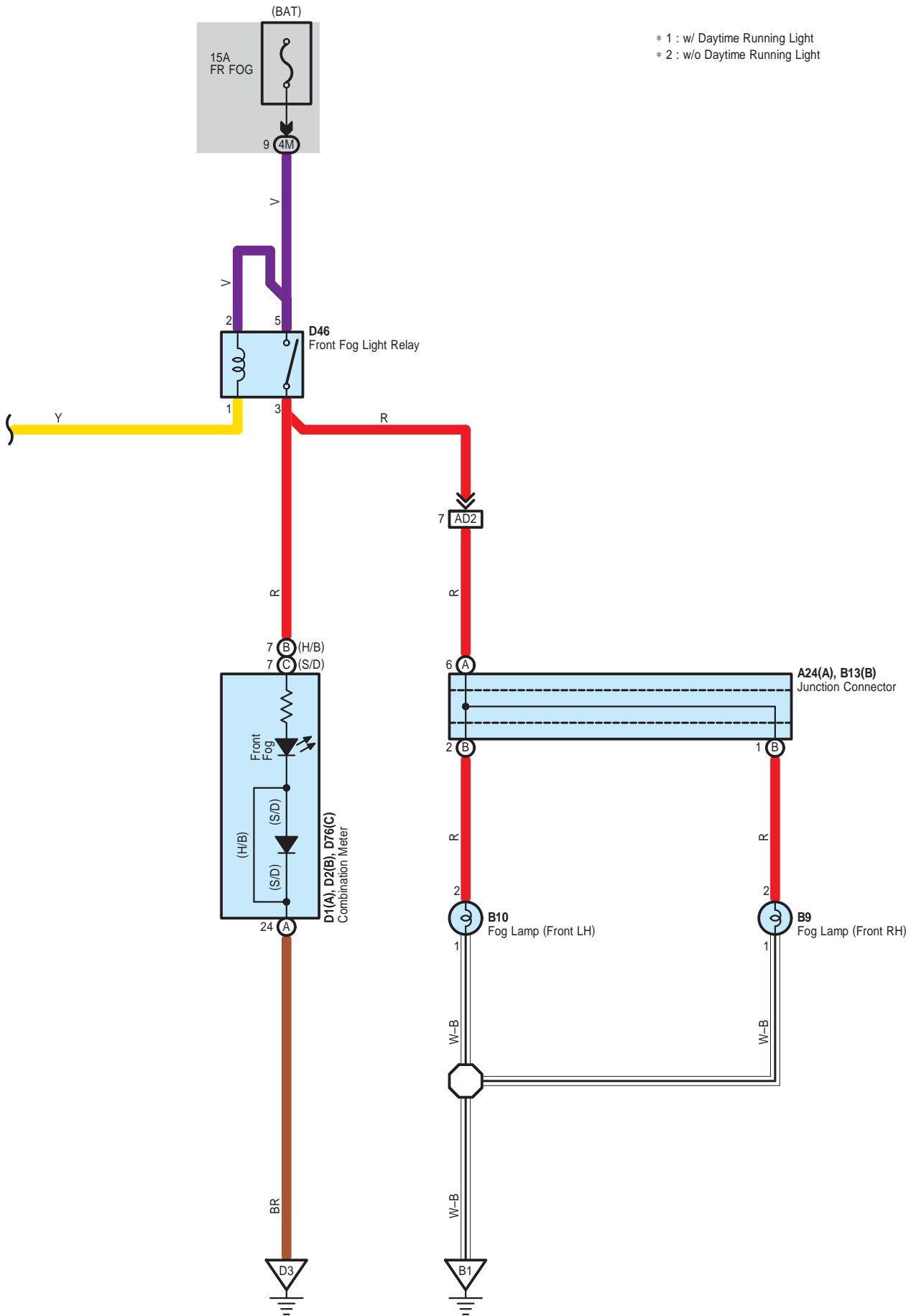
Code	See Page	Junction Block and Wire Harness (Connector Location)
1A	25	Engine Room Main Wire and Engine Room J/B (Engine Compartment Left)
4B	30	Engine Room Main Wire and Instrument Panel J/B (Lower Finish Panel)
4E	30	Instrument Panel Wire and Instrument Panel J/B (Lower Finish Panel)

: Connector Joining Wire Harness and Wire Harness

Code	See Page	Joining Wire Harness and Wire Harness (Connector Location)
AA2	62 (H/B)	Engine Room Main Wire and Engine Room Main Wire (Instrument Panel Left)
	63 (S/D)	
BA1	60 (H/B)	Engine Room No.2 Wire and Engine Room Main Wire (Engine Compartment Left)
	61 (S/D)	

Front Fog Light





* 1 : w/ Daytime Running Light
 * 2 : w/o Daytime Running Light

Front Fog Light

○ : Parts Location

Code		See Page	Code		See Page	Code		See Page
A24	A	46 (H/B)	D1	A	51 (H/B)	D37	53 (S/D)	
		48 (S/D)			53 (S/D)			
B9		46 (H/B)	D2	B	51 (H/B)	D39	53 (S/D)	
		48 (S/D)			51 (H/B)			
B10		46 (H/B)	D4		53 (S/D)	D40	51 (H/B)	
		48 (S/D)			53 (S/D)			
B13	B	46 (H/B)	D9		51 (H/B)	D46	51 (H/B)	
		48 (S/D)			53 (S/D)			
			D37		51 (H/B)	D76	C	53 (S/D)

○ : Junction Block and Wire Harness Connector

Code	See Page	Junction Block and Wire Harness (Connector Location)
4C	30	Instrument Panel Wire and Instrument Panel J/B (Lower Finish Panel)
4E		
4J		
4M	31	

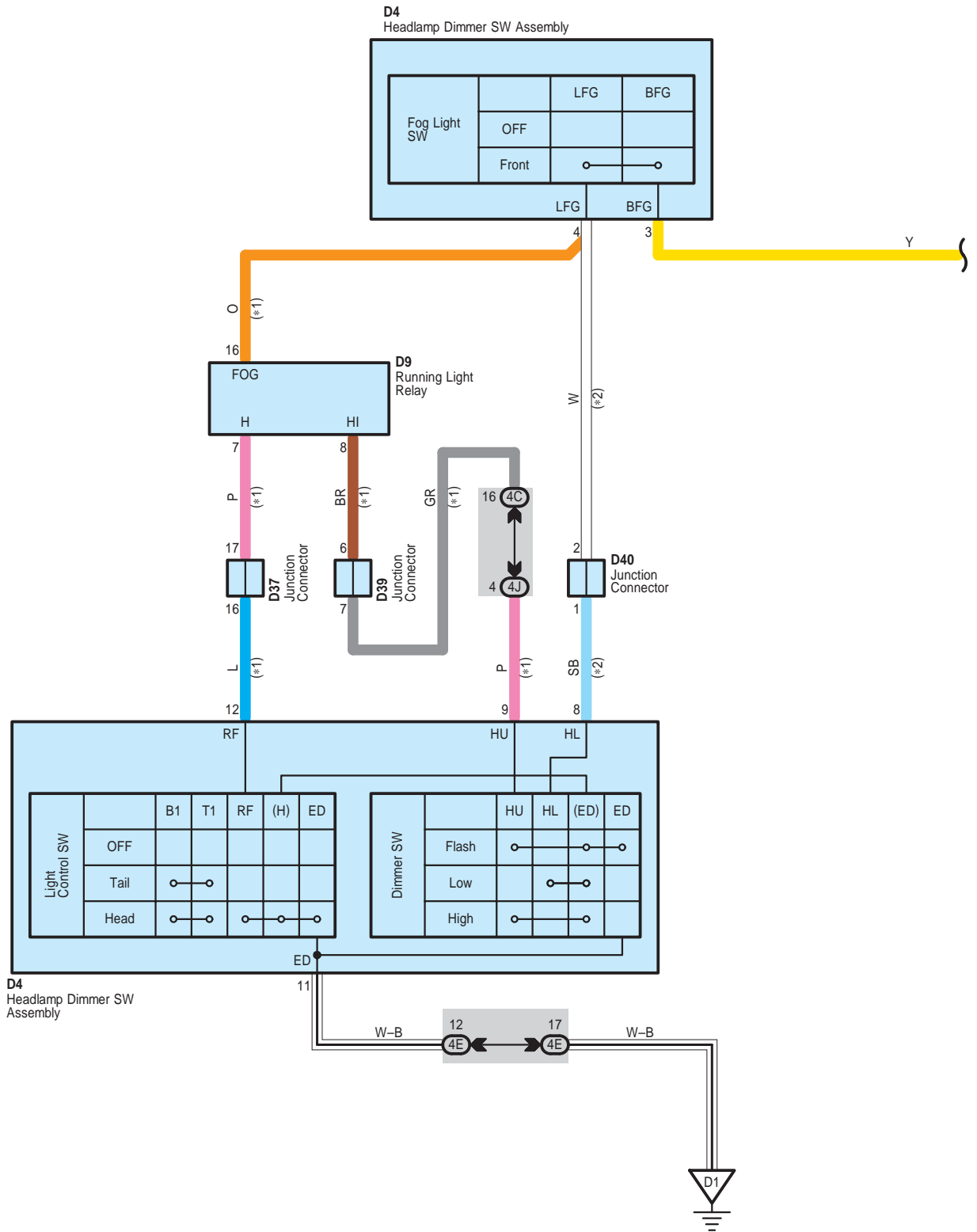
□ : Connector Joining Wire Harness and Wire Harness

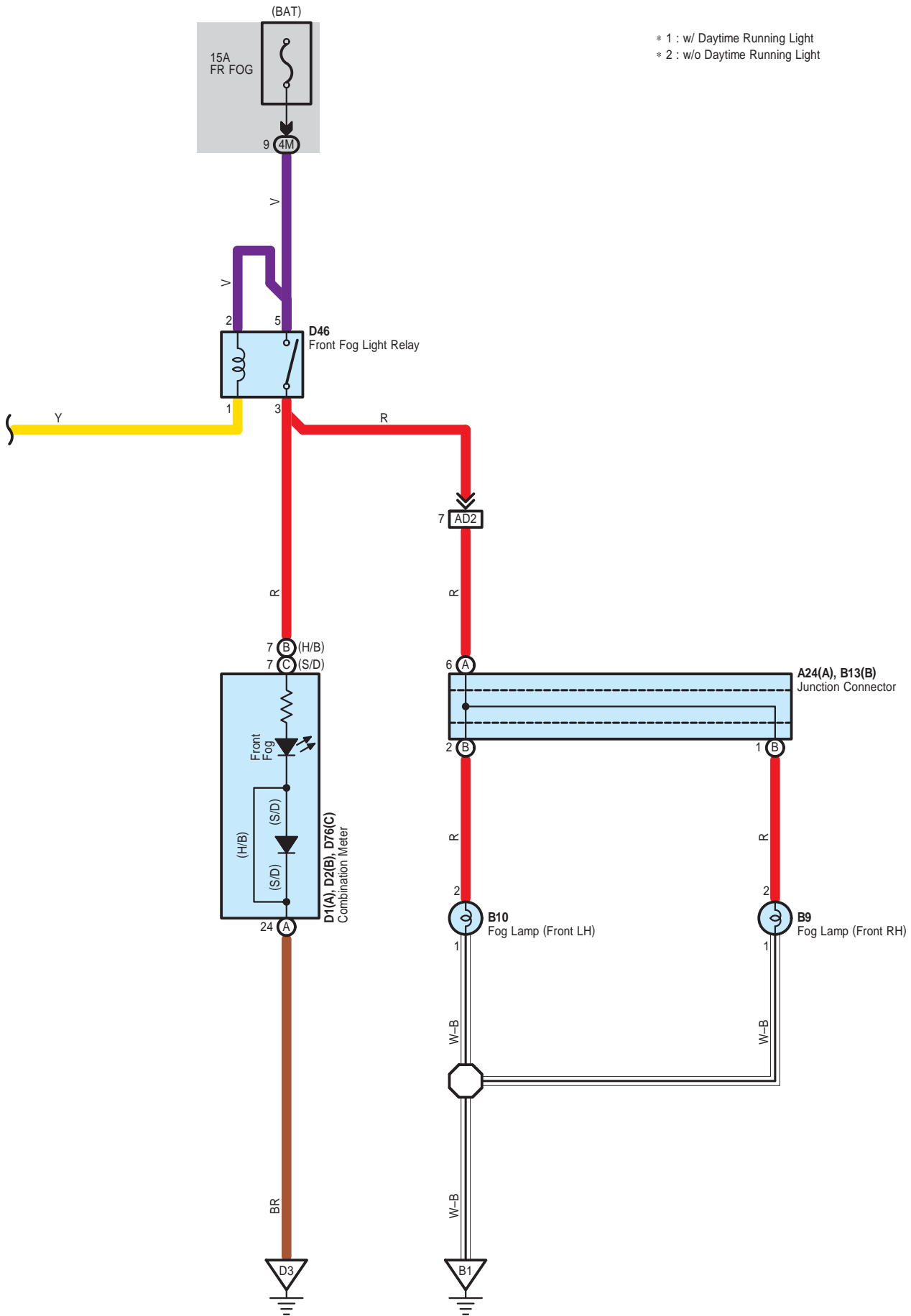
Code	See Page	Joining Wire Harness and Wire Harness (Connector Location)
AD2	62 (H/B)	Engine Room Main Wire and Instrument Panel Wire (Instrument Panel Left)
	63 (S/D)	

▽ : Ground Points

Code	See Page	Ground Points Location
B1	60 (H/B)	Radiator Support Left
	61 (S/D)	
D1	62 (H/B)	Left Kick Panel
	63 (S/D)	
D3	62 (H/B)	Instrument Panel Reinforcement Left
	63 (S/D)	

Front Fog Light





* 1 : w/ Daytime Running Light
 * 2 : w/o Daytime Running Light

Front Fog Light

: Parts Location

Code		See Page	Code		See Page	Code		See Page
A24	A	46 (H/B)	D1	A	51 (H/B)	D37	53 (S/D)	
		48 (S/D)			53 (S/D)			
B9		46 (H/B)	D2	B	51 (H/B)	D39	53 (S/D)	
		48 (S/D)			51 (H/B)			
B10		46 (H/B)	D4		53 (S/D)	D40	51 (H/B)	
		48 (S/D)			53 (S/D)			
B13	B	46 (H/B)	D9		51 (H/B)	D46	51 (H/B)	
		48 (S/D)			53 (S/D)			
			D37		51 (H/B)	D76	C	53 (S/D)

: Junction Block and Wire Harness Connector

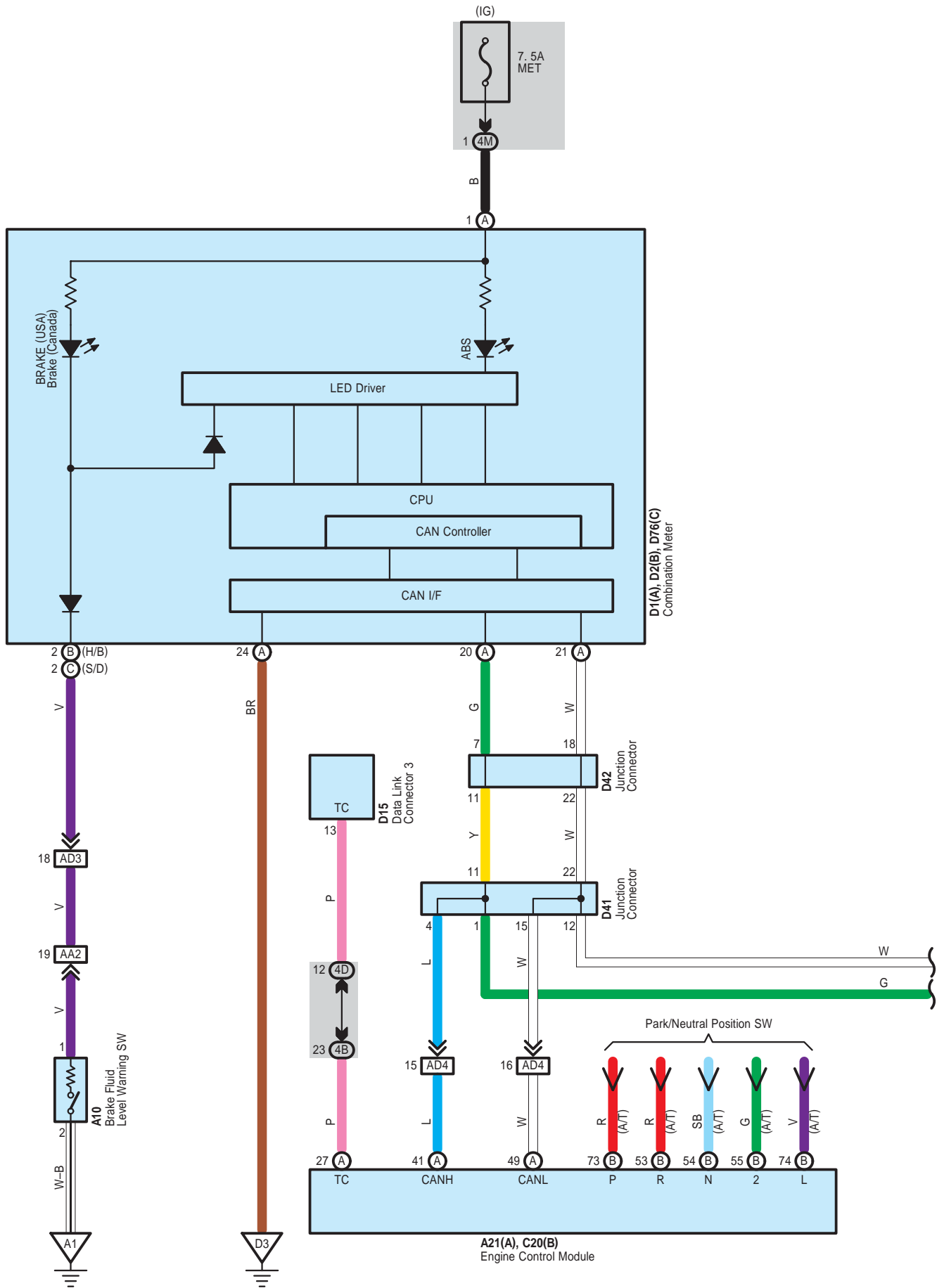
Code	See Page	Junction Block and Wire Harness (Connector Location)
4C	30	Instrument Panel Wire and Instrument Panel J/B (Lower Finish Panel)
4E		
4J		
4M	31	

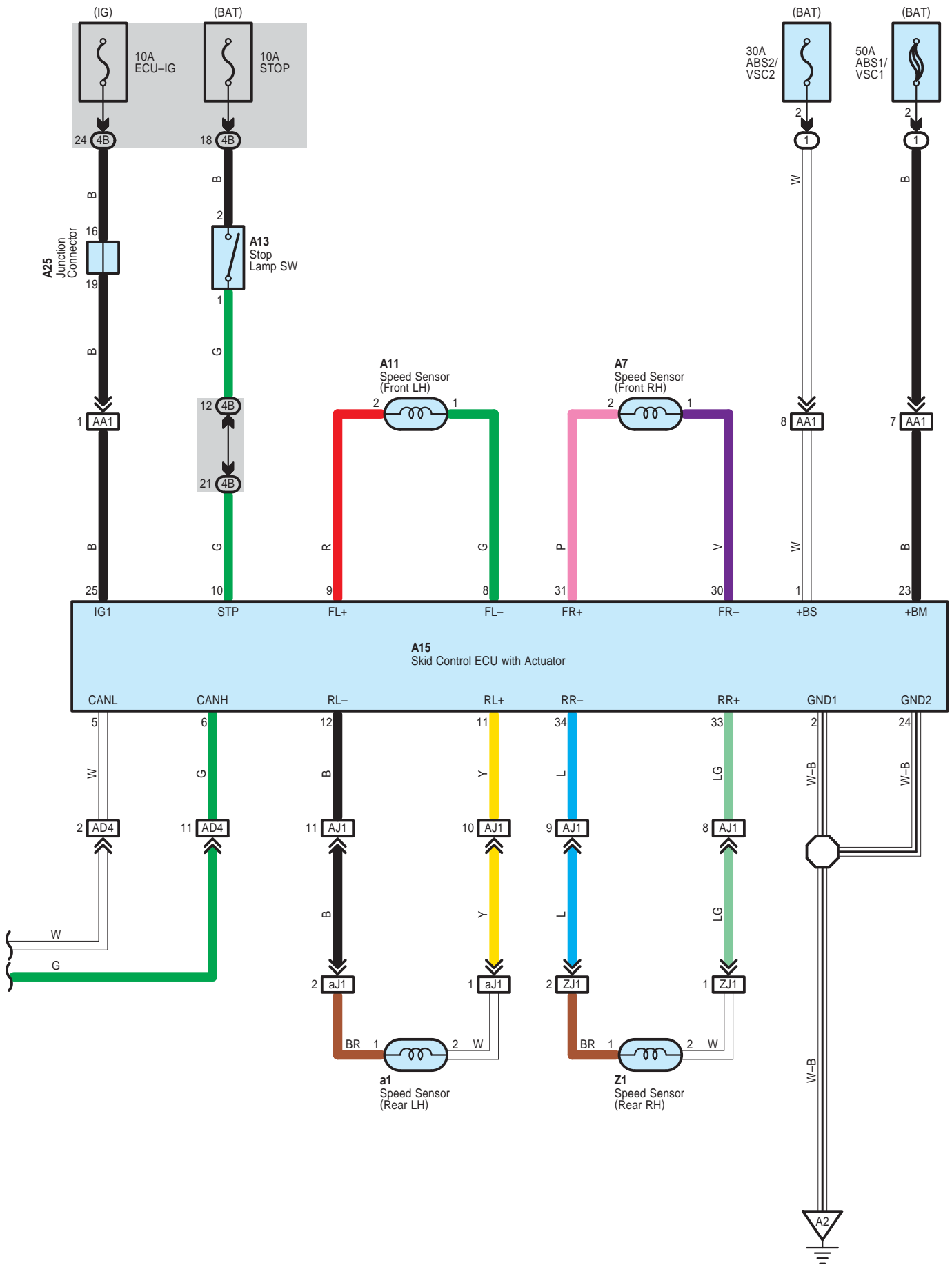
: Connector Joining Wire Harness and Wire Harness

Code	See Page	Joining Wire Harness and Wire Harness (Connector Location)
AD2	62 (H/B)	Engine Room Main Wire and Instrument Panel Wire (Instrument Panel Left)
	63 (S/D)	

: Ground Points

Code	See Page	Ground Points Location
B1	60 (H/B)	Radiator Support Left
	61 (S/D)	
D1	62 (H/B)	Left Kick Panel
	63 (S/D)	
D3	62 (H/B)	Instrument Panel Reinforcement Left
	63 (S/D)	





System Outline

1. Speed Sensor

Detects the wheel speed of each of four wheels.

2. Skid Control ECU

Based on signals from the sensors, it judges the vehicle driving condition and sends the brake control signal to the brake actuator.

3. ABS Warning Light

Lights up to alert the driver when the ECU detects a malfunction in the ABS system and stops the system.

4. Brake Warning Light

Lights up simultaneously with the ABS warning light to alert the driver when the ECU detects a malfunction not only in the ABS but also in the EBD. Single light-up of the brake warning light alerts the driver when the ECU detects a malfunction in the brake system.

5. Engine Control Computer

Sends signals such as park/neutral position SW, TC switch, etc., to the skid control ECU with actuator.

○ : Parts Location

Code	See Page	Code	See Page	Code	See Page	
A7	46 (H/B)	A21	A	48 (S/D)	D41	53 (S/D)
	48 (S/D)	A25		46 (H/B)	D42	51 (H/B)
A10	46 (H/B)			48 (S/D)		53 (S/D)
		48 (S/D)	C20	B	D76	C
A11	46 (H/B)	47 (H/B)				
	48 (S/D)	49 (S/D)	56 (3-Door)			
A13	50 (H/B)	D1	A	51 (H/B)	58 (4-Door)	
	52 (S/D)			53 (S/D)		
A15	46 (H/B)	D2	B	51 (H/B)	a1	54 (5-Door)
	48 (S/D)			D15		51 (H/B)
		53 (S/D)	58 (4-Door)			
A21	A	46 (H/B)	D41	51 (H/B)		

○ : Relay Blocks

Code	See Page	Relay Blocks (Relay Block Location)
1	24	Engine Room R/B (Engine Compartment Left)

○ : Junction Block and Wire Harness Connector

Code	See Page	Junction Block and Wire Harness (Connector Location)
4B	30	Engine Room Main Wire and Instrument Panel J/B (Lower Finish Panel)
4D	30	Instrument Panel Wire and Instrument Panel J/B (Lower Finish Panel)
4M	31	

 : Connector Joining Wire Harness and Wire Harness

Code	See Page	Joining Wire Harness and Wire Harness (Connector Location)	
AA1	62 (H/B)	Engine Room Main Wire and Engine Room Main Wire (Instrument Panel Left)	
	63 (S/D)		
AA2	62 (H/B)		
	63 (S/D)		
AD3	62 (H/B)		Engine Room Main Wire and Instrument Panel Wire (Instrument Panel Left)
	63 (S/D)		
AD4	62 (H/B)		
	63 (S/D)		
AJ1	62 (H/B)	Engine Room Main Wire and Floor Wire (Instrument Panel Left)	
	63 (S/D)		
ZJ1	64 (5-Door)	Skid Control Sensor RH Wire and Floor Wire (Quarter Wheel House Panel RH)	
	65 (3-Door)		
	66 (4-Door)		
aJ1	64 (5-Door)	Skid Control Sensor LH Wire and Floor Wire (Quarter Wheel House Panel LH)	
	65 (3-Door)		
	66 (4-Door)		

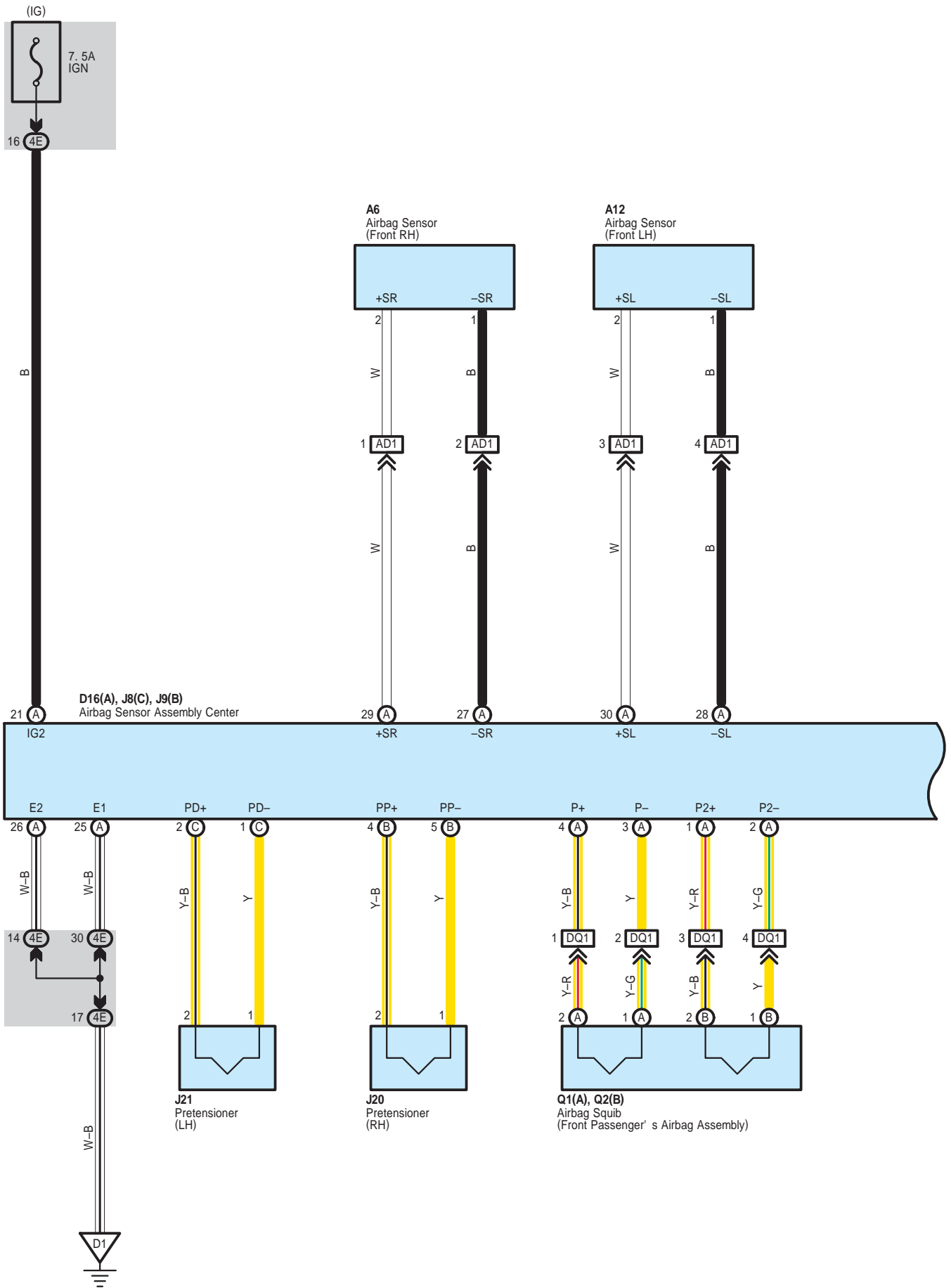
 : Ground Points

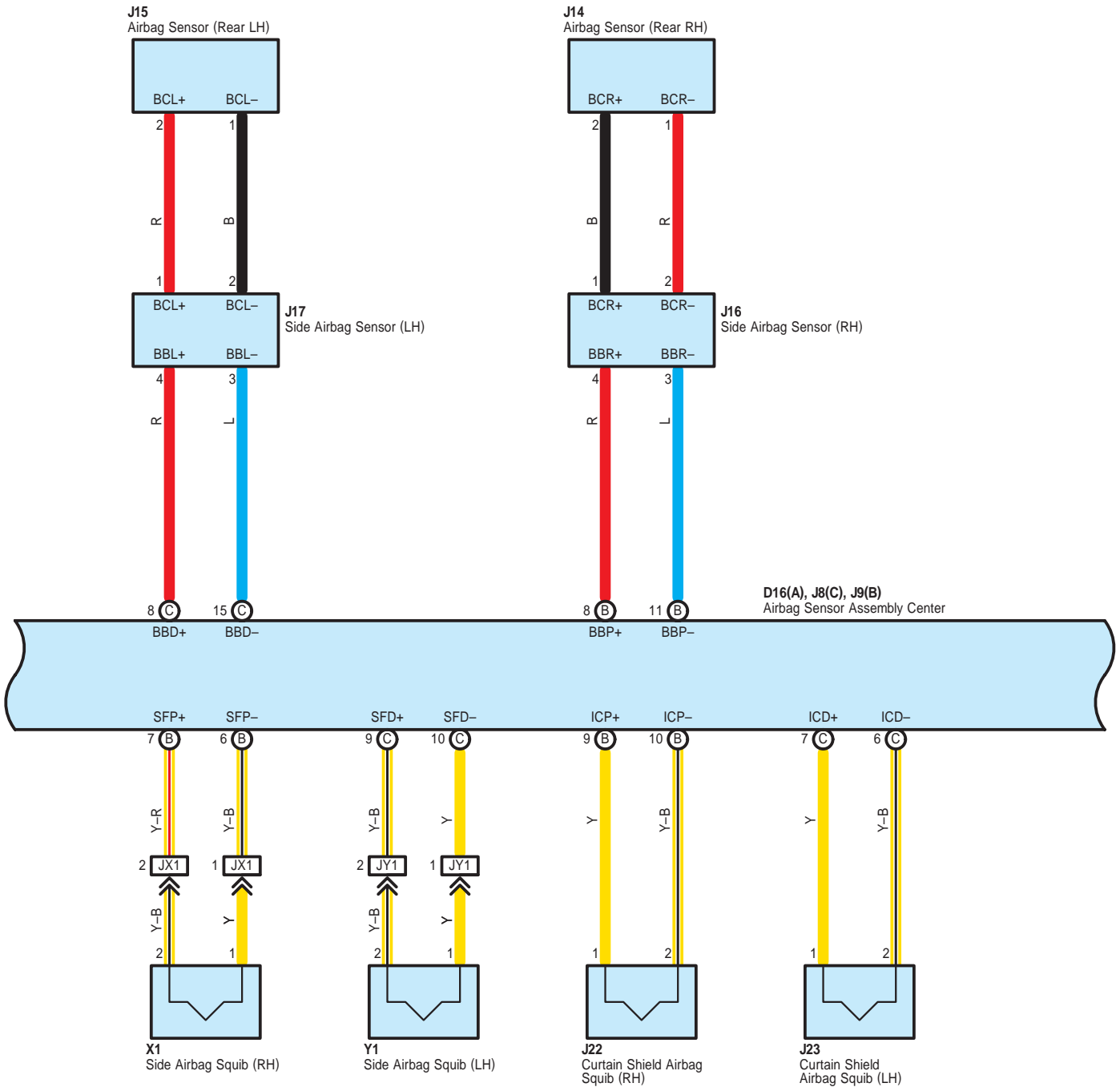
Code	See Page	Ground Points Location
A1	60 (H/B)	Left Suspension Tower
	61 (S/D)	
A2	60 (H/B)	
	61 (S/D)	
D3	62 (H/B)	Instrument Panel Reinforcement Left
	63 (S/D)	

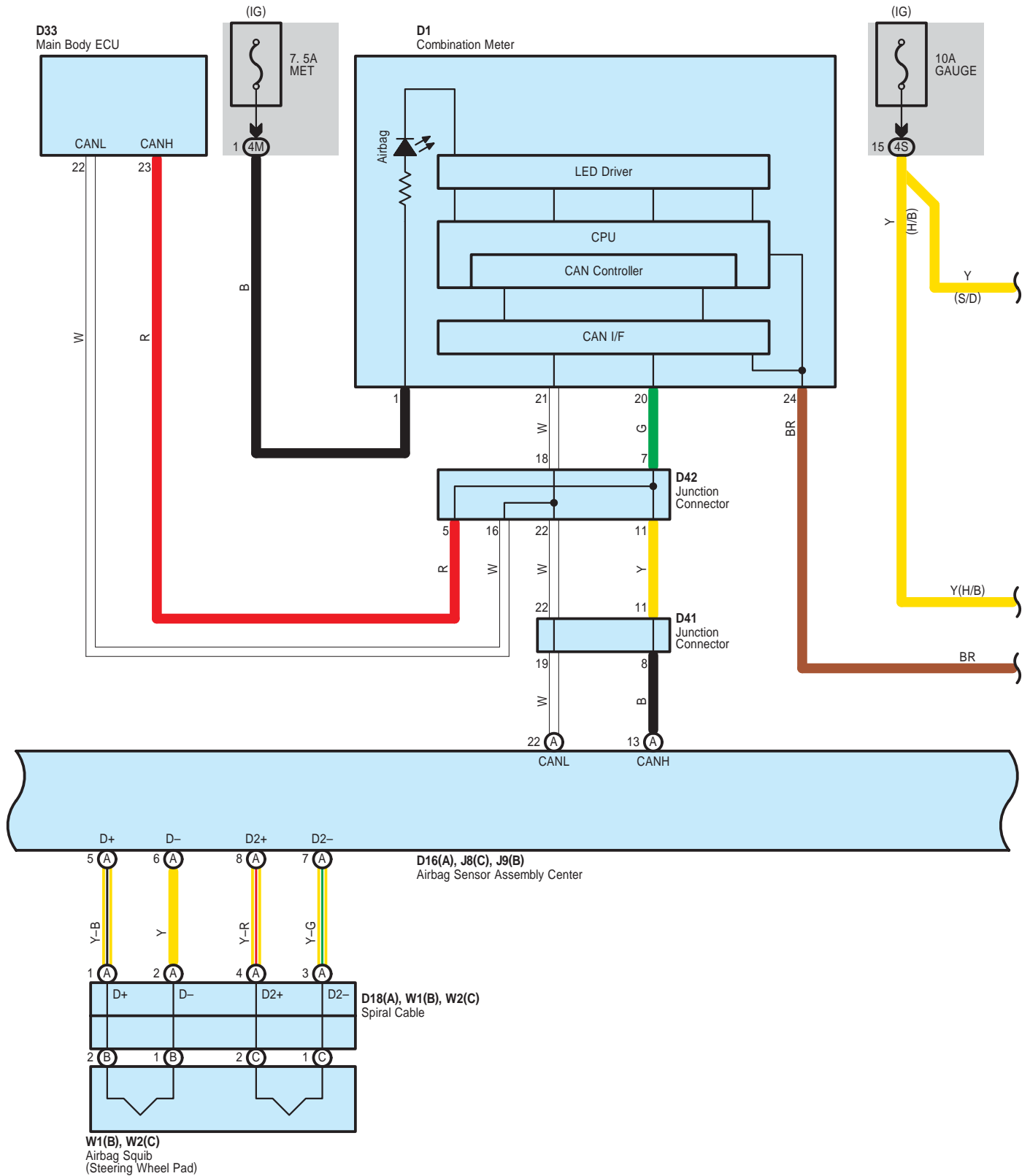
NOTICE: When inspecting or repairing the SRS, perform service in accordance with the following precautionary instructions and the procedure, and precautions in the Repair Manual applicable for the model year.

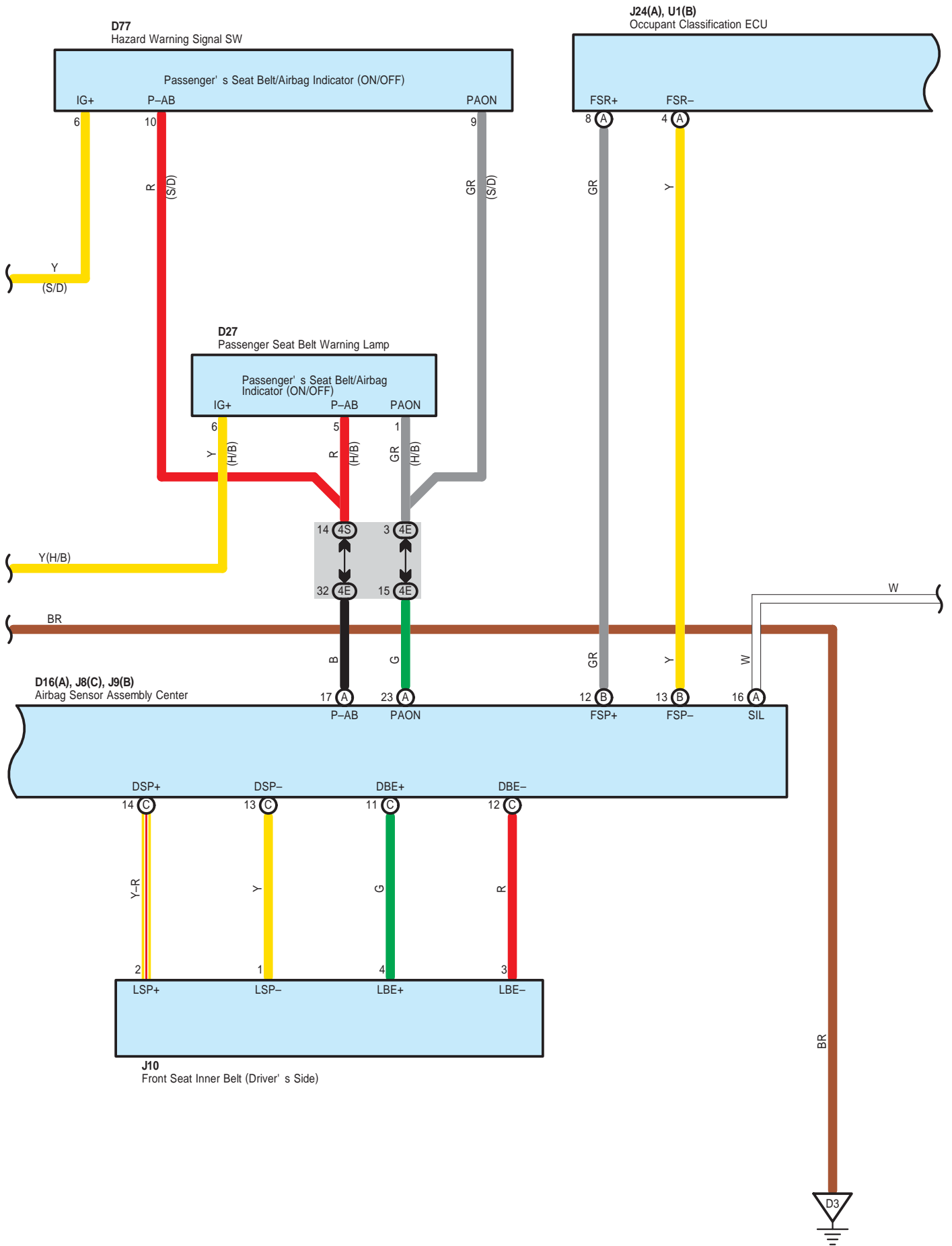
- Malfunction symptoms of the SRS are difficult to confirm, so the DTCs become the most important source of information when troubleshooting. When troubleshooting the SRS, always inspect the DTCs before disconnecting the battery.
- **Work must be started more than 90 seconds after the ignition SW is turned to the "LOCK" position and the negative (-) terminal cable is disconnected from the battery.**
(The SRS is equipped with a back-up power source so that if work is started within 90 seconds from disconnecting the negative (-) terminal cable of the battery, the SRS may deploy.)
- When the negative (-) terminal cable is disconnected from the battery, the memory of the clock and audio system will be cleared. So before starting work, make a record of the contents in the audio memory system. When work is finished, reset the audio systems as they were before and adjust the clock. Some vehicles have power tilt steering, power telescopic steering, power seat and power outside rear view mirror which are all equipped with memory function. However, it is not possible to make a record of these memory contents. So when the work is finished, it will be necessary to explain it to your customer, and ask the customer to adjust the features and reset the memory. To avoid erasing the memory in each system, never use a back-up power supply from outside the vehicle.
- Before repair, remove the airbag sensor if shocks are likely to be applied to the sensor during repair.
- Do not expose the following parts directly to hot air or flame;
- Even in cases of a minor collision where the SRS does not deploy, the following parts should be inspected;
- Never use SRS parts from another vehicle. When replacing parts, replace with new parts.
- For the purpose of reuse, never disassemble and repair the following parts.
- If the following parts have been dropped, or have cracks, dents and other defects in their case, bracket, and connector, replace with new one.
- Use a volt/ohmmeter with high impedance (10 k Ω /V minimum) for troubleshooting electrical circuits of the system.
- Information labels are attached to the periphery of the SRS components. Follow the instructions of the notice.
- After work on the SRS is completed, check the SRS warning light.
- If the vehicle is equipped with a mobile communication system, refer to the precaution in the IN section of the Repair Manual.

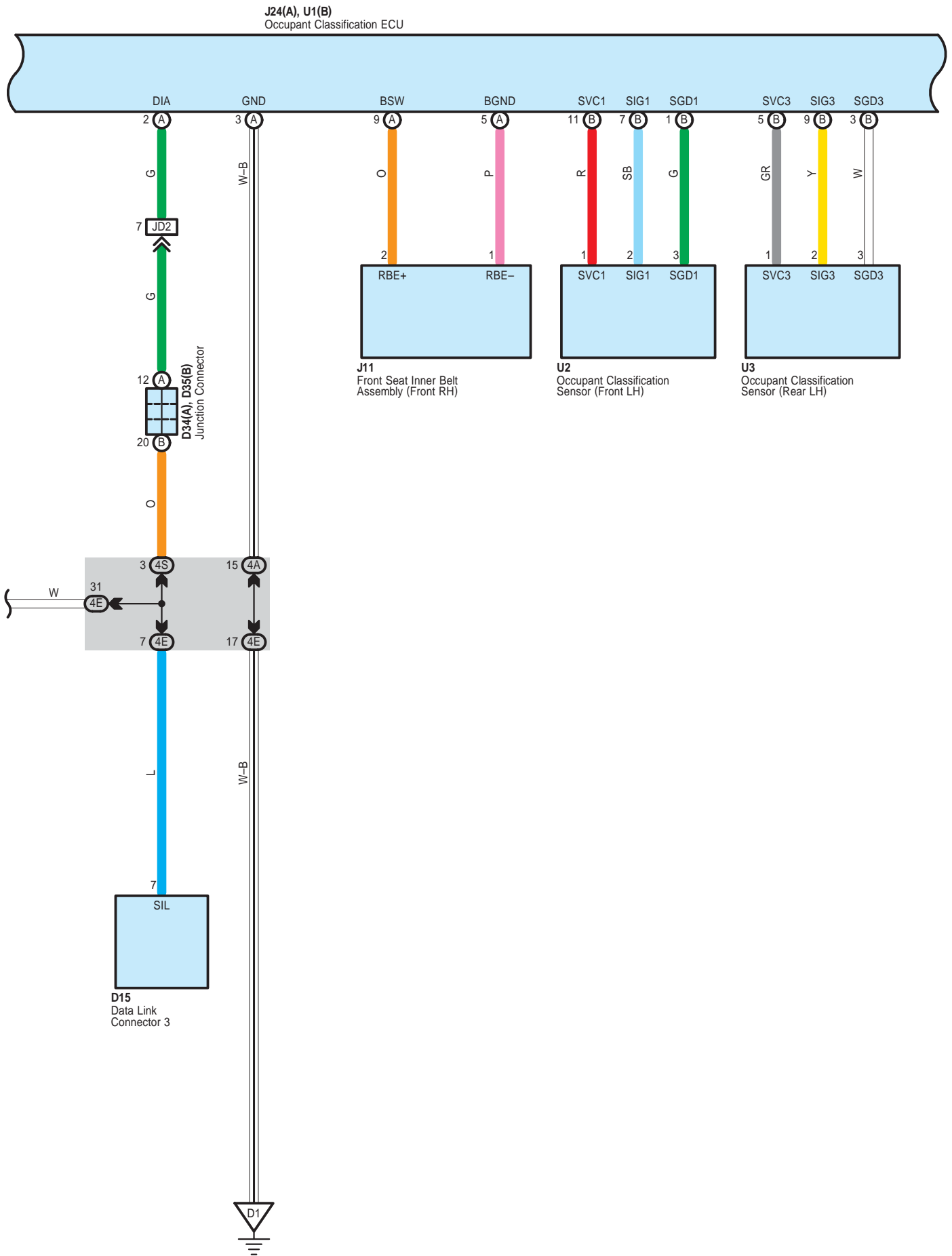
- * Steering wheel pad
- * Front passenger airbag assembly
- * Side airbag assembly
- * Curtain shield airbag assembly
- * Seat belt pretensioner
- * Center airbag sensor assembly
- * Front airbag sensor assembly
- * Side airbag sensor assembly
- * Rear airbag sensor assembly

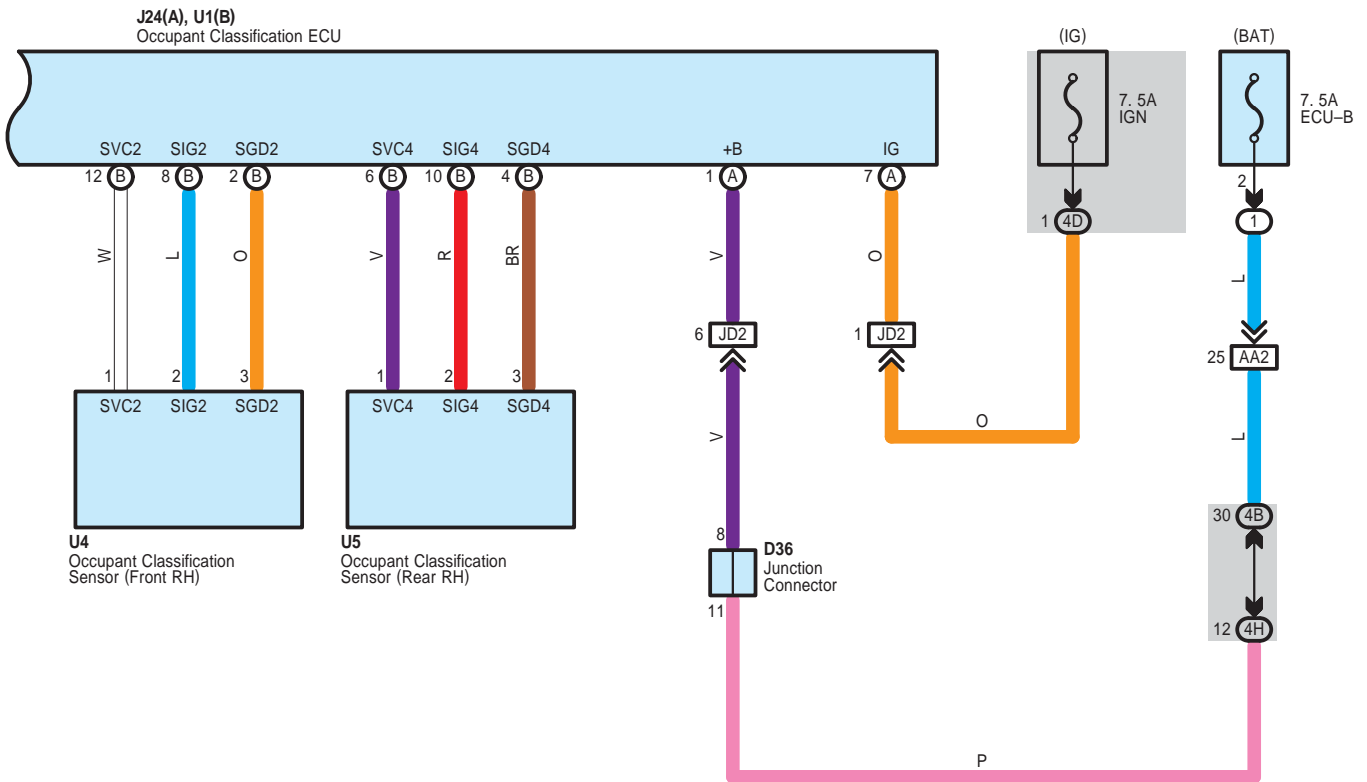












System Outline

- * The system reaches an ignition judgment to deploy the following device based on the signals received from the front airbag sensor and deceleration sensor.
 - Driver Airbag
 - Front Passenger Airbag
 - Seat Belt Pretensioner
- * The system reaches an ignition judgment to deploy the following device based on the signals received from the side airbag sensors.
 - Side Airbags
 - Curtain Shield Airbags
- * The dual-stage SRS airbag system has been used for the driver and front passenger airbags. This system controls the optimal airbag inflation by judging the extent of impact, seat position (driver seat) and whether or not the seat belt is fastened(driver seat) and information from the Front Passenger Occupant Classification System.
- * The front passenger occupant classification system judges whether the front passenger seat is occupied by an adult or child (with child seat) or is unoccupied, according to the load applied to the front passenger seat and whether the seat belt is buckled. Based on the results, it restricts the deployment of the front passenger airbag, front passenger side airbag, and front passenger seat belt pretensioner. In addition, the system informs the driver of the result of the judgment through the use of the AIRBAG ON/OFF indicator lights.
- * The airbag sensor assembly transmits a signal to the engine control module in order to stop the fuel pump.
- * The Airbag sensor assembly transmits a signal to the main body ECU in order to release the door lock.

○ : Parts Location

Code		See Page	Code	See Page	Code		See Page		
A6		46 (H/B)	J10	57 (3-Door)	J24	A	59 (4-Door)		
		48 (S/D)		59 (4-Door)			Q1	A	50 (H/B)
A12		46 (H/B)	J11	55 (5-Door)	Q2	B			52 (S/D)
		48 (S/D)		57 (3-Door)			50 (H/B)		
				59 (4-Door)			52 (S/D)		
D1		51 (H/B)	J14	55 (5-Door)	U1	B	54 (5-Door)		
		53 (S/D)		57 (3-Door)			56 (3-Door)		
				59 (4-Door)			58 (4-Door)		
D15		51 (H/B)	J15	55 (5-Door)	U2		54 (5-Door)		
		53 (S/D)		57 (3-Door)			56 (3-Door)		
				59 (4-Door)			58 (4-Door)		
D16	A	51 (H/B)	J16	55 (5-Door)	U3		54 (5-Door)		
		53 (S/D)		57 (3-Door)			56 (3-Door)		
D18	A	51 (H/B)		59 (4-Door)			54 (5-Door)		
		53 (S/D)	55 (5-Door)	56 (3-Door)					
D27		51 (H/B)	J17	57 (3-Door)	U4		58 (4-Door)		
D33		51 (H/B)		55 (5-Door)			54 (5-Door)		
		53 (S/D)		57 (3-Door)			56 (3-Door)		
D34	A	51 (H/B)	J20	59 (4-Door)	U5		58 (4-Door)		
		53 (S/D)		55 (5-Door)			54 (5-Door)		
D35	B	51 (H/B)		57 (3-Door)			56 (3-Door)		
		53 (S/D)	59 (4-Door)	58 (4-Door)					
D36		51 (H/B)	J21	55 (5-Door)	W1	B	50 (H/B)		
		53 (S/D)		57 (3-Door)			52 (S/D)		
D41		51 (H/B)		59 (4-Door)			50 (H/B)		
		53 (S/D)	J22	55 (5-Door)	W2	C	52 (S/D)		
D42		51 (H/B)		57 (3-Door)			X1		54 (5-Door)
		53 (S/D)		59 (4-Door)					56 (3-Door)
D77		53 (S/D)	55 (5-Door)	58 (4-Door)					
J8	C	50 (H/B)	J23	57 (3-Door)	Y1		54 (5-Door)		
		52 (S/D)		59 (4-Door)			56 (3-Door)		
J9	B	50 (H/B)		55 (5-Door)			58 (4-Door)		
		52 (S/D)	J24	A	57 (3-Door)	54 (5-Door)			
J10		55 (5-Door)			56 (3-Door)				
		55 (5-Door)		58 (4-Door)					

 : **Relay Blocks**

Code	See Page	Relay Blocks (Relay Block Location)
1	24	Engine Room R/B (Engine Compartment Left)

 : **Junction Block and Wire Harness Connector**

Code	See Page	Junction Block and Wire Harness (Connector Location)
4A	30	Floor Wire and Instrument Panel J/B (Lower Finish Panel)
4B	30	Engine Room Main Wire and Instrument Panel J/B (Lower Finish Panel)
4D	30	Instrument Panel Wire and Instrument Panel J/B (Lower Finish Panel)
4E		
4H		
4M	31	
4S		

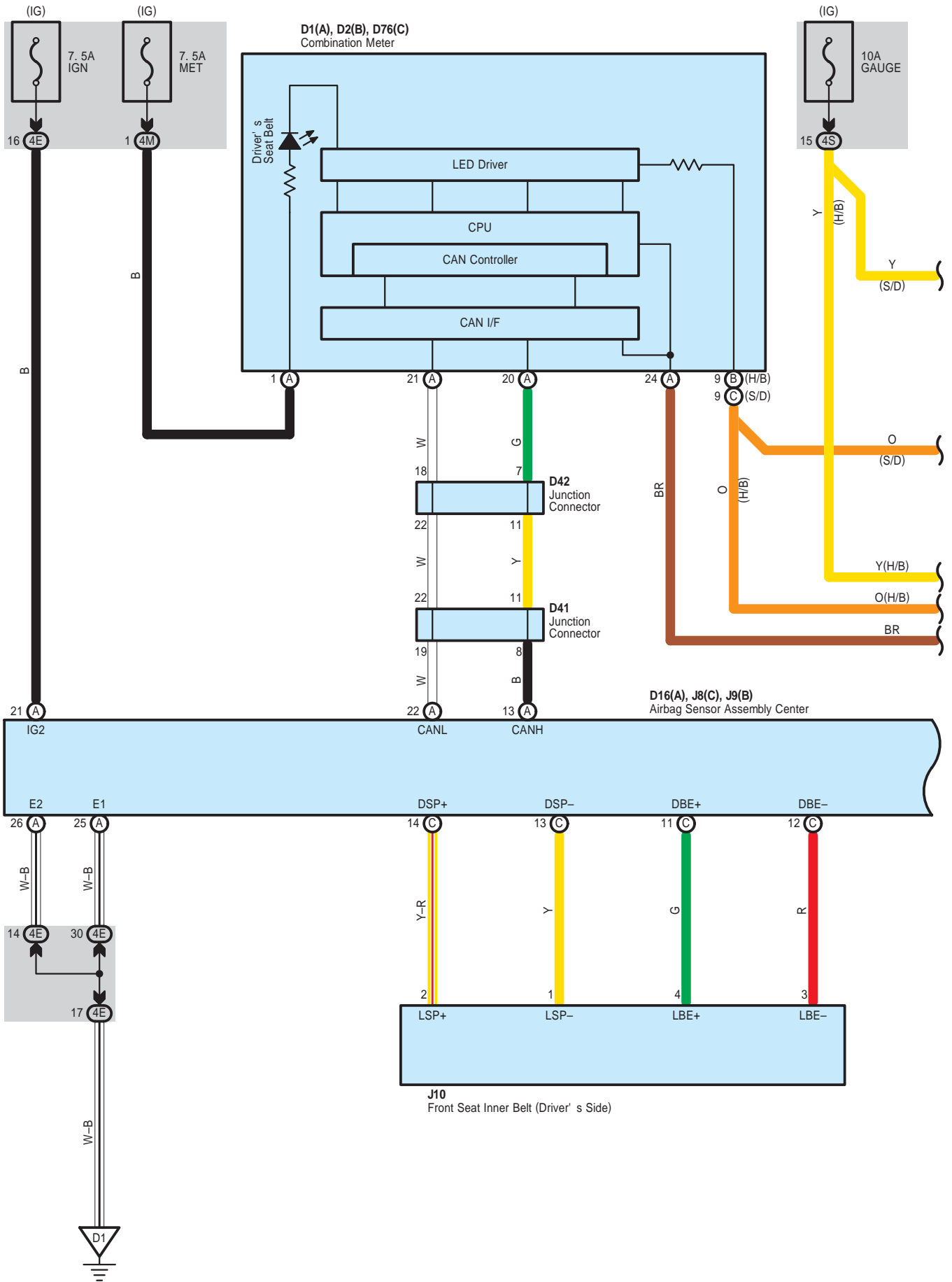
 : **Connector Joining Wire Harness and Wire Harness**

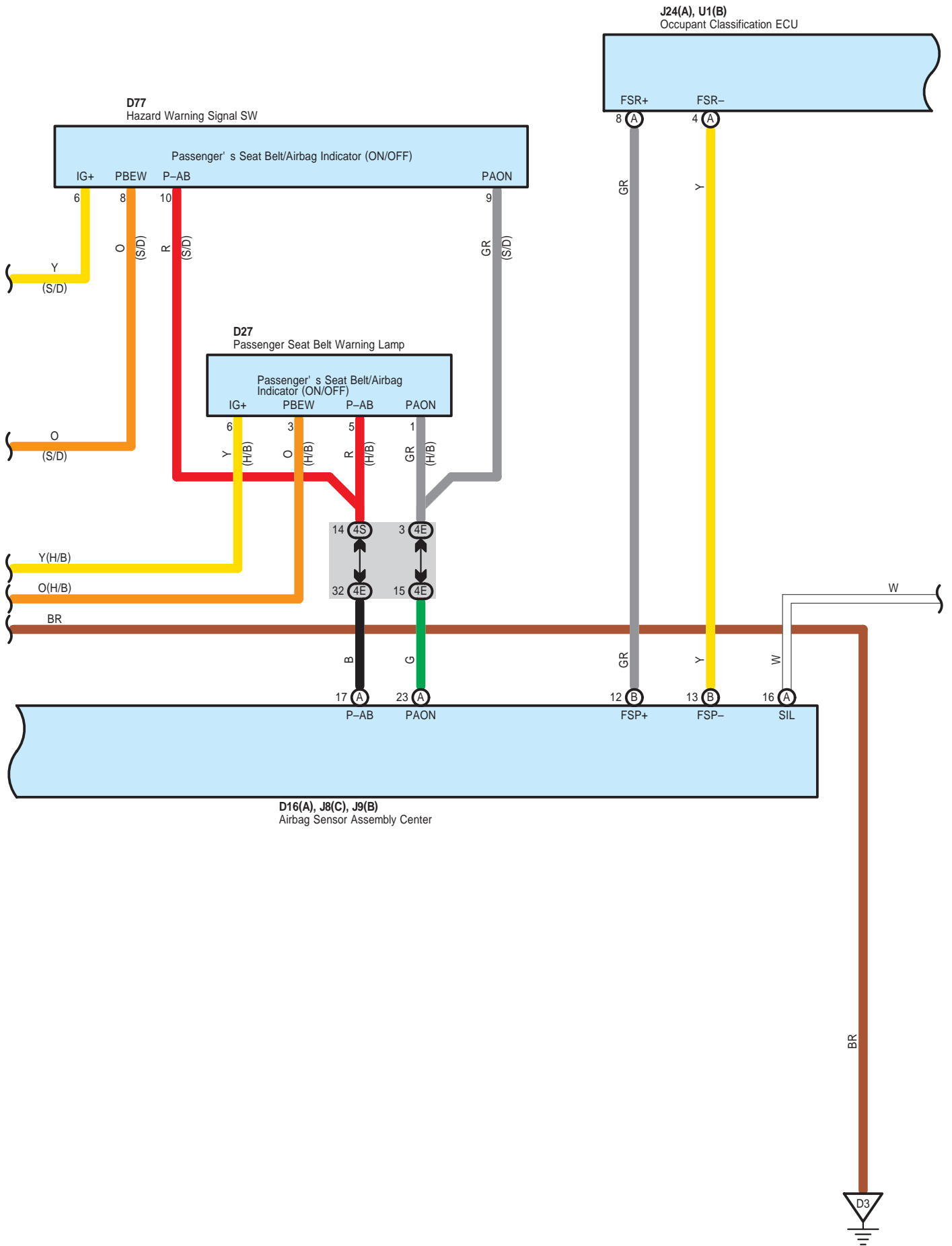
Code	See Page	Joining Wire Harness and Wire Harness (Connector Location)
AA2	62 (H/B)	Engine Room Main Wire and Engine Room Main Wire (Instrument Panel Left)
	63 (S/D)	
AD1	62 (H/B)	Engine Room Main Wire and Instrument Panel Wire (Instrument Panel Left)
	63 (S/D)	
DQ1	62 (H/B)	Instrument Panel Wire and Instrument Panel Wire Assembly (Instrument Panel Right)
	63 (S/D)	
JD2	62 (H/B)	Floor Wire and Instrument Panel Wire (Instrument Panel Left)
	63 (S/D)	
JX1	64 (5-Door)	Floor Wire and Seat Airbag RH Wire (Front Seat RH)
	65 (3-Door)	
	66 (4-Door)	
JY1	64 (5-Door)	Floor Wire and Seat Airbag LH Wire (Front Seat LH)
	65 (3-Door)	
	66 (4-Door)	

 : **Ground Points**

Code	See Page	Ground Points Location
D1	62 (H/B)	Left Kick Panel
	63 (S/D)	
D3	62 (H/B)	Instrument Panel Reinforcement Left
	63 (S/D)	

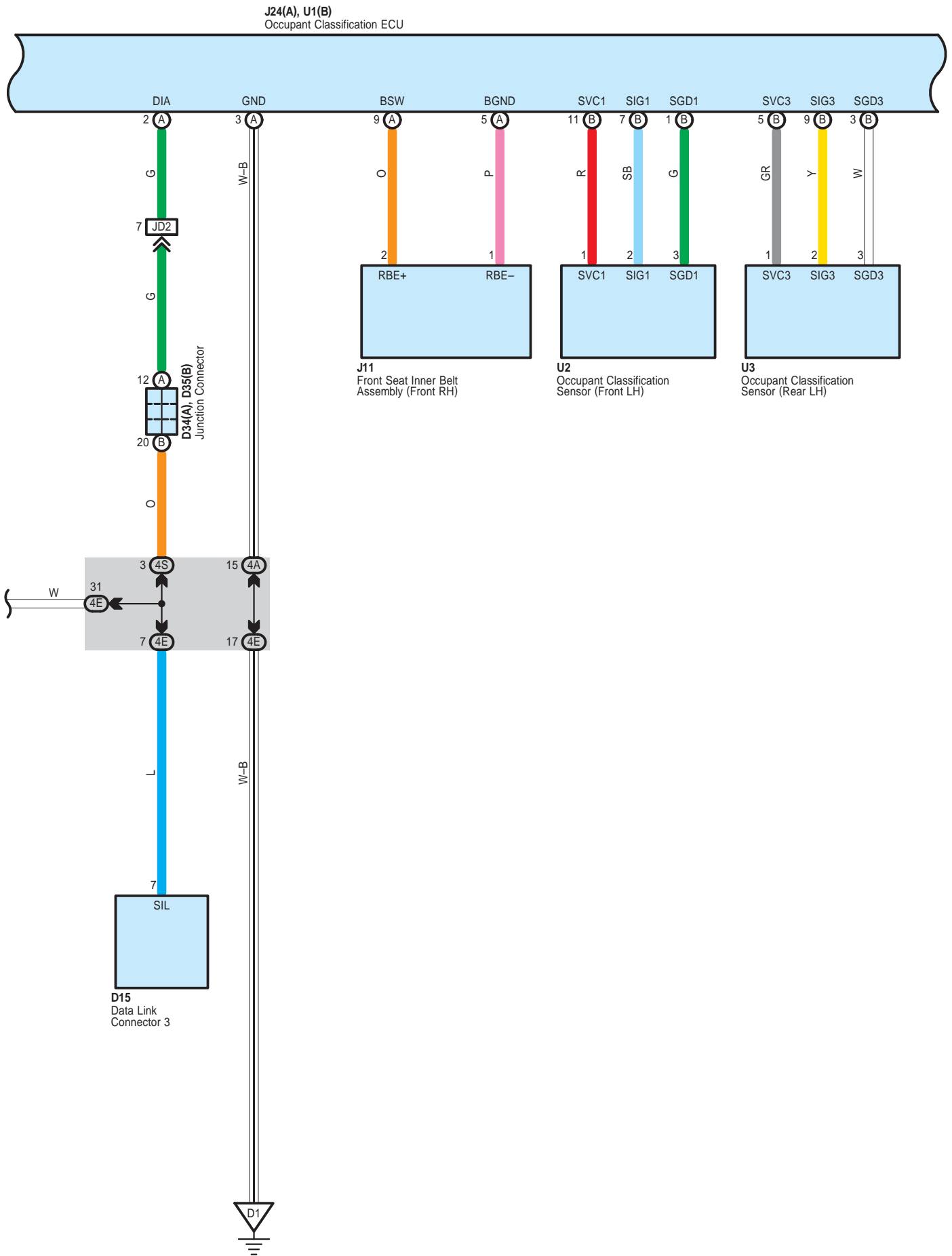
Seat Belt Warning

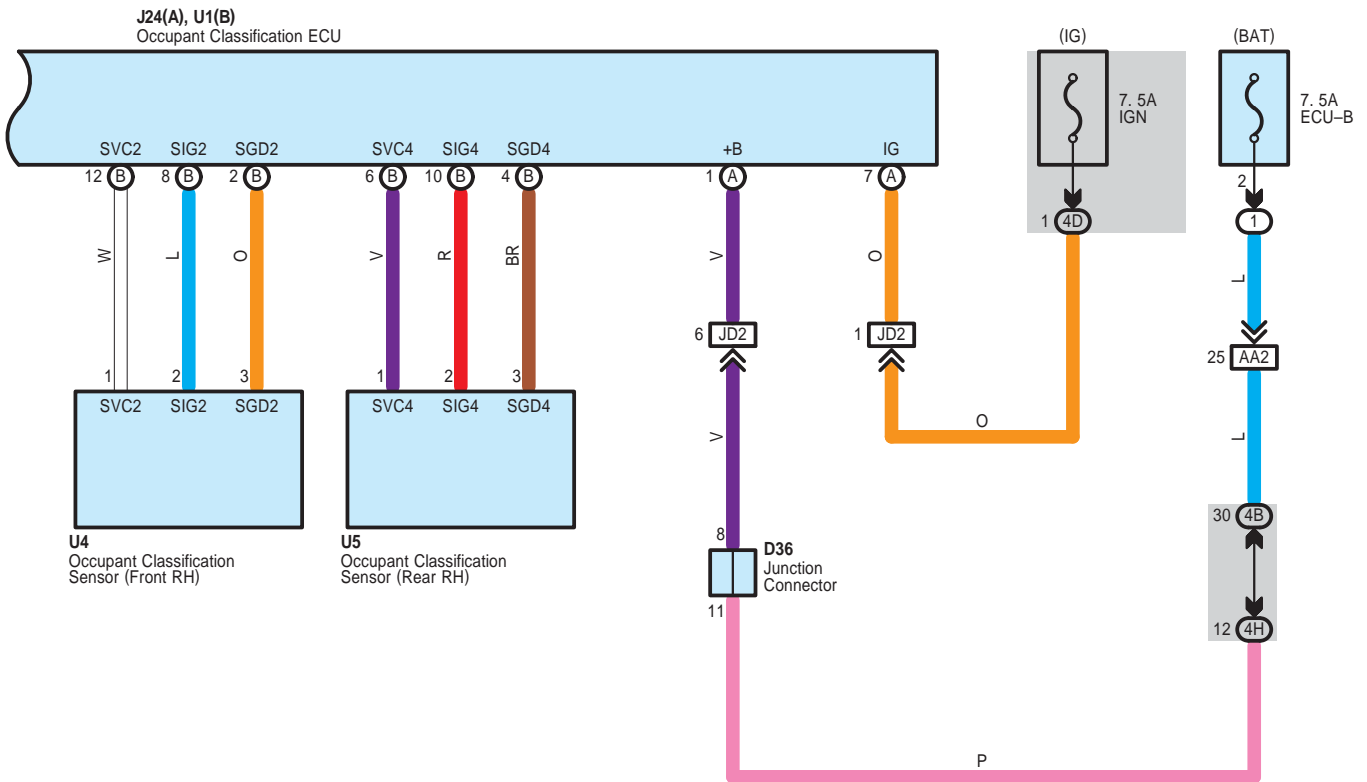




D16(A), J8(C), J9(B)
Airbag Sensor Assembly Center

Seat Belt Warning





Seat Belt Warning

○ : Parts Location

Code		See Page	Code		See Page	Code		See Page
D1	A	51 (H/B)	D42	51 (H/B)	53 (S/D)	J24	A	59 (4-Door)
		53 (S/D)						54 (5-Door)
D2	B	51 (H/B)	D76	C	53 (S/D)	U1	B	56 (3-Door)
		51 (H/B)						58 (4-Door)
D15		51 (H/B)	D77	53 (S/D)	50 (H/B)	U2		54 (5-Door)
		53 (S/D)						52 (S/D)
D16	A	51 (H/B)	J8	C	50 (H/B)	U3		58 (4-Door)
		53 (S/D)						52 (S/D)
D27		51 (H/B)	J9	B	52 (S/D)	U4		56 (3-Door)
		51 (H/B)						55 (5-Door)
D34	A	51 (H/B)	J10		57 (3-Door)	U5		54 (5-Door)
		53 (S/D)						59 (4-Door)
D35	B	51 (H/B)	J11		57 (3-Door)	U5		58 (4-Door)
		53 (S/D)						55 (5-Door)
D36		51 (H/B)	J24	A	55 (5-Door)	U5		56 (3-Door)
		53 (S/D)						57 (3-Door)
D41		51 (H/B)	59 (4-Door)		57 (3-Door)	U5		54 (5-Door)
		53 (S/D)						55 (5-Door)
					57 (3-Door)			58 (4-Door)

○ : Relay Blocks

Code	See Page	Relay Blocks (Relay Block Location)
1	24	Engine Room R/B (Engine Compartment Left)

○ : Junction Block and Wire Harness Connector

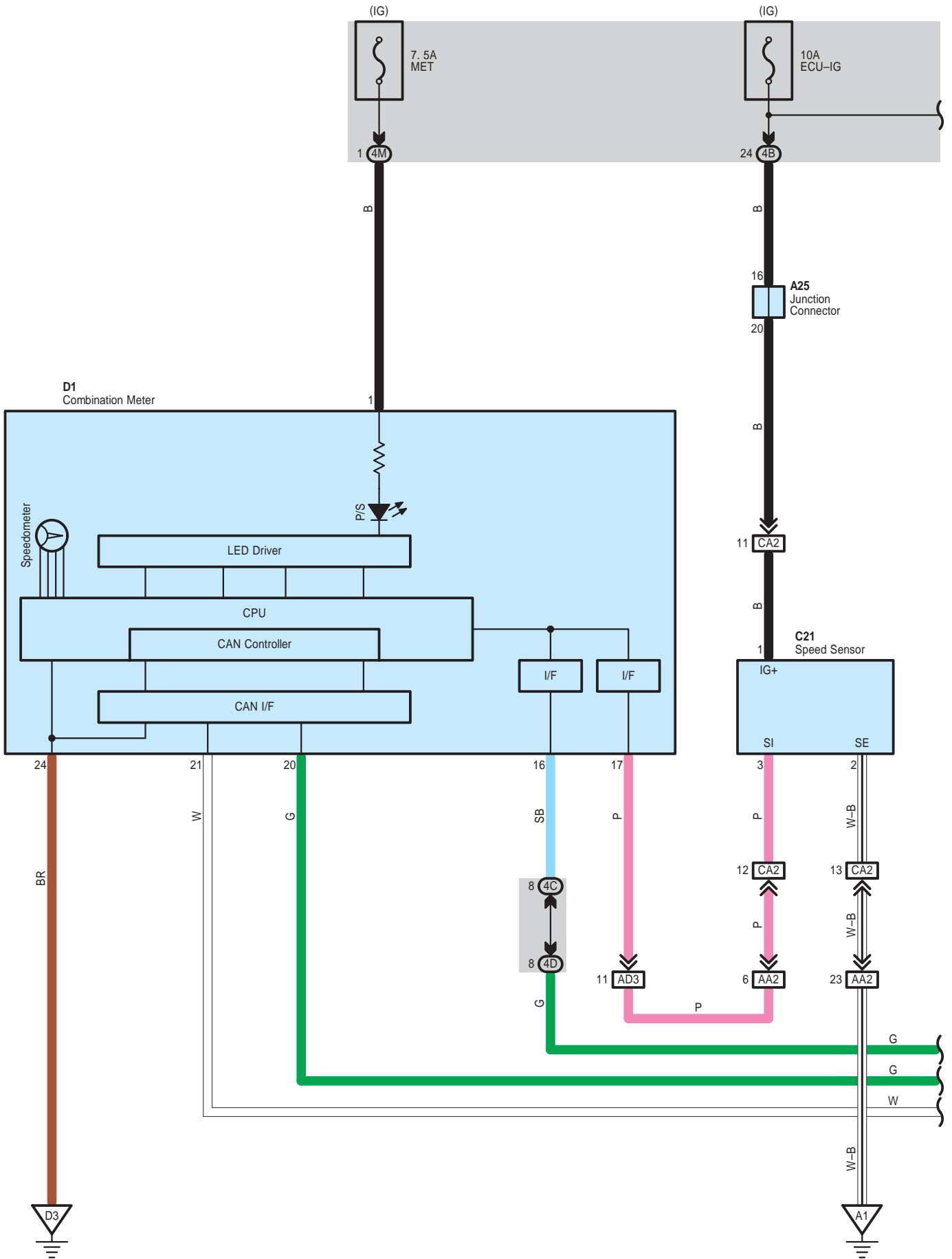
Code	See Page	Junction Block and Wire Harness (Connector Location)
4A	30	Floor Wire and Instrument Panel J/B (Lower Finish Panel)
4B	30	Engine Room Main Wire and Instrument Panel J/B (Lower Finish Panel)
4D	30	Instrument Panel Wire and Instrument Panel J/B (Lower Finish Panel)
4E		
4H		
4M		
4S	31	

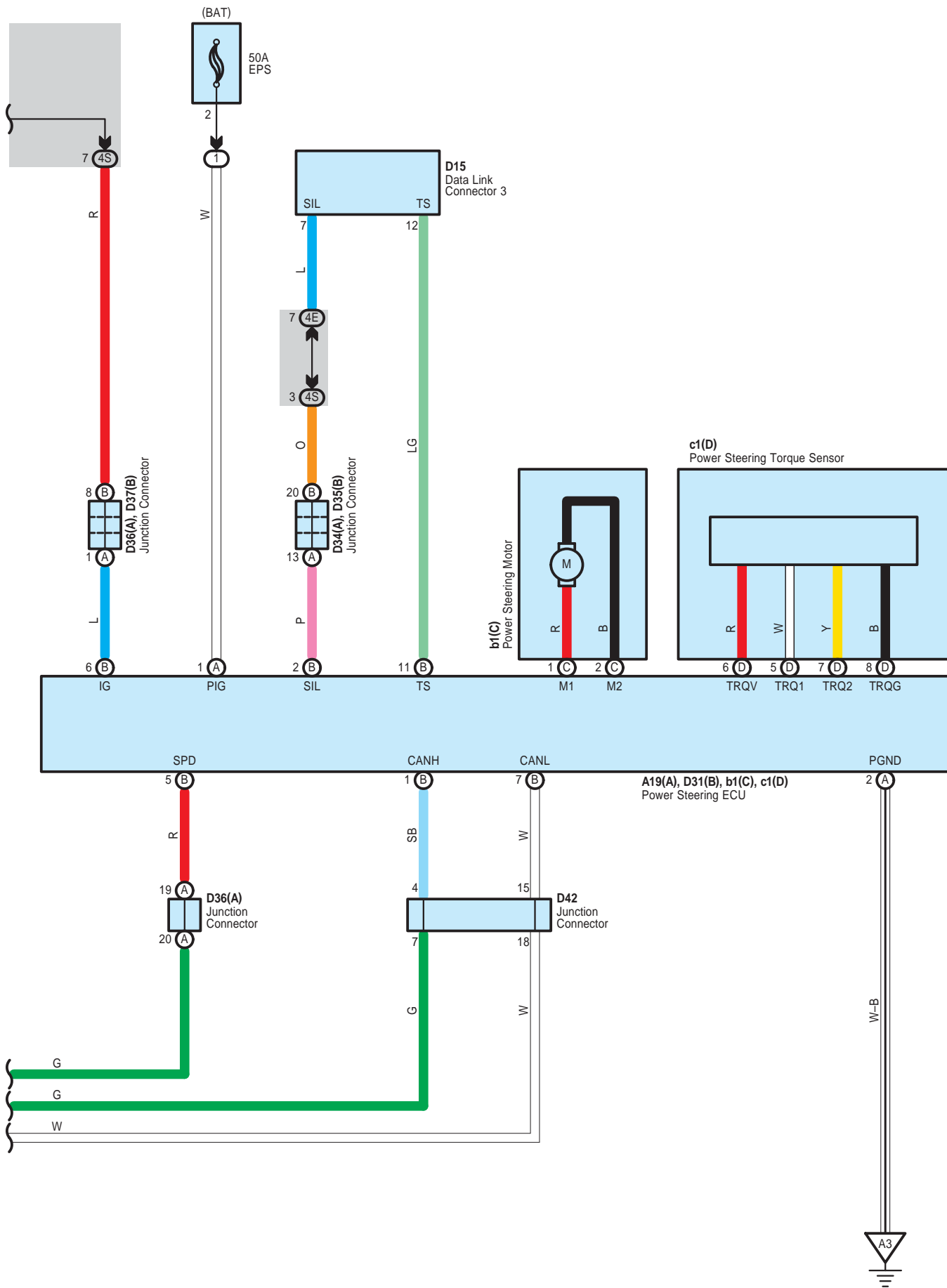
□ : Connector Joining Wire Harness and Wire Harness

Code	See Page	Joining Wire Harness and Wire Harness (Connector Location)
AA2	62 (H/B)	Engine Room Main Wire and Engine Room Main Wire (Instrument Panel Left)
	63 (S/D)	
JD2	62 (H/B)	Floor Wire and Instrument Panel Wire (Instrument Panel Left)
	63 (S/D)	

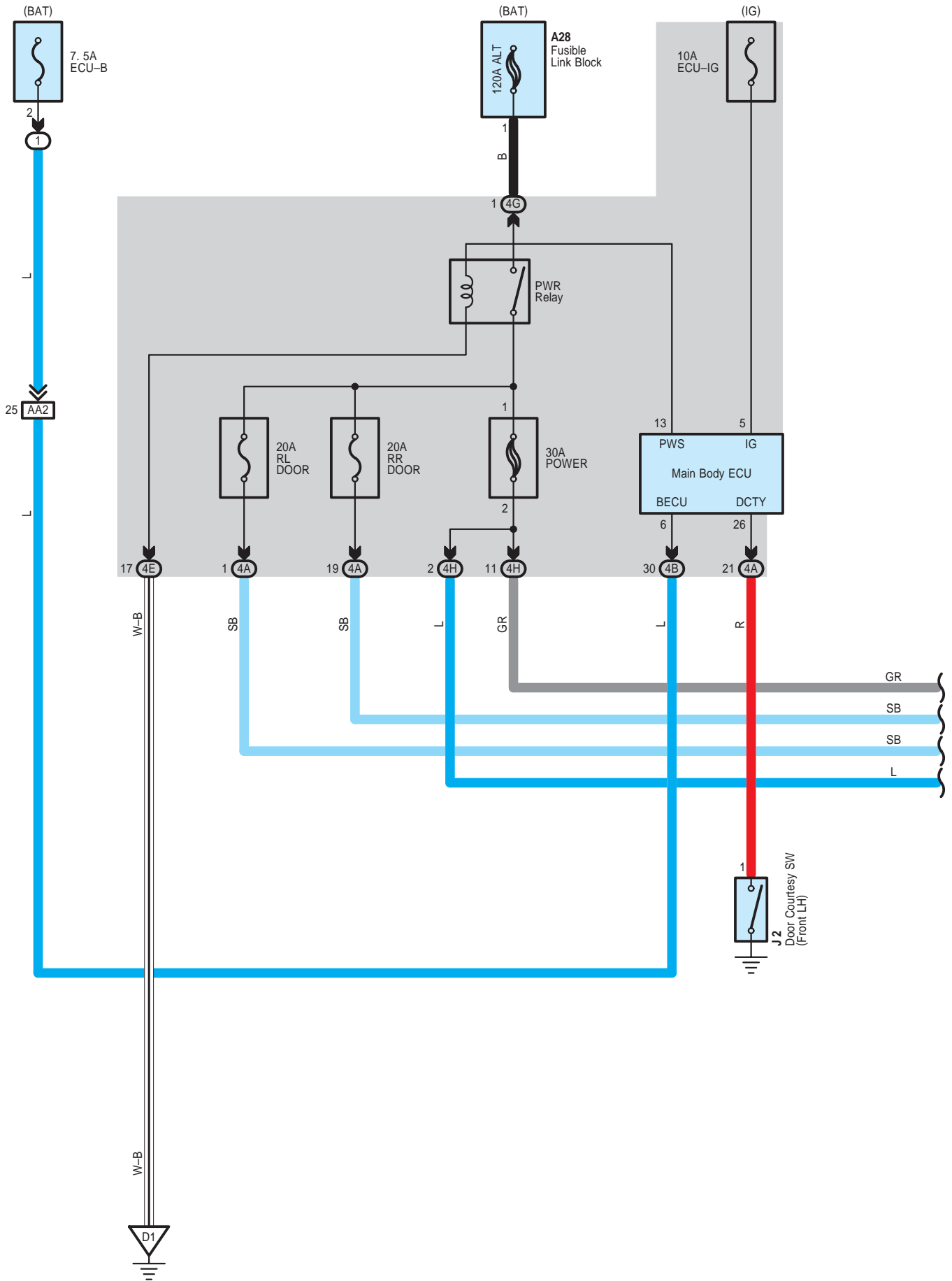
▽ : Ground Points

Code	See Page	Ground Points Location
D1	62 (H/B)	Left Kick Panel
	63 (S/D)	
D3	62 (H/B)	Instrument Panel Reinforcement Left
	63 (S/D)	



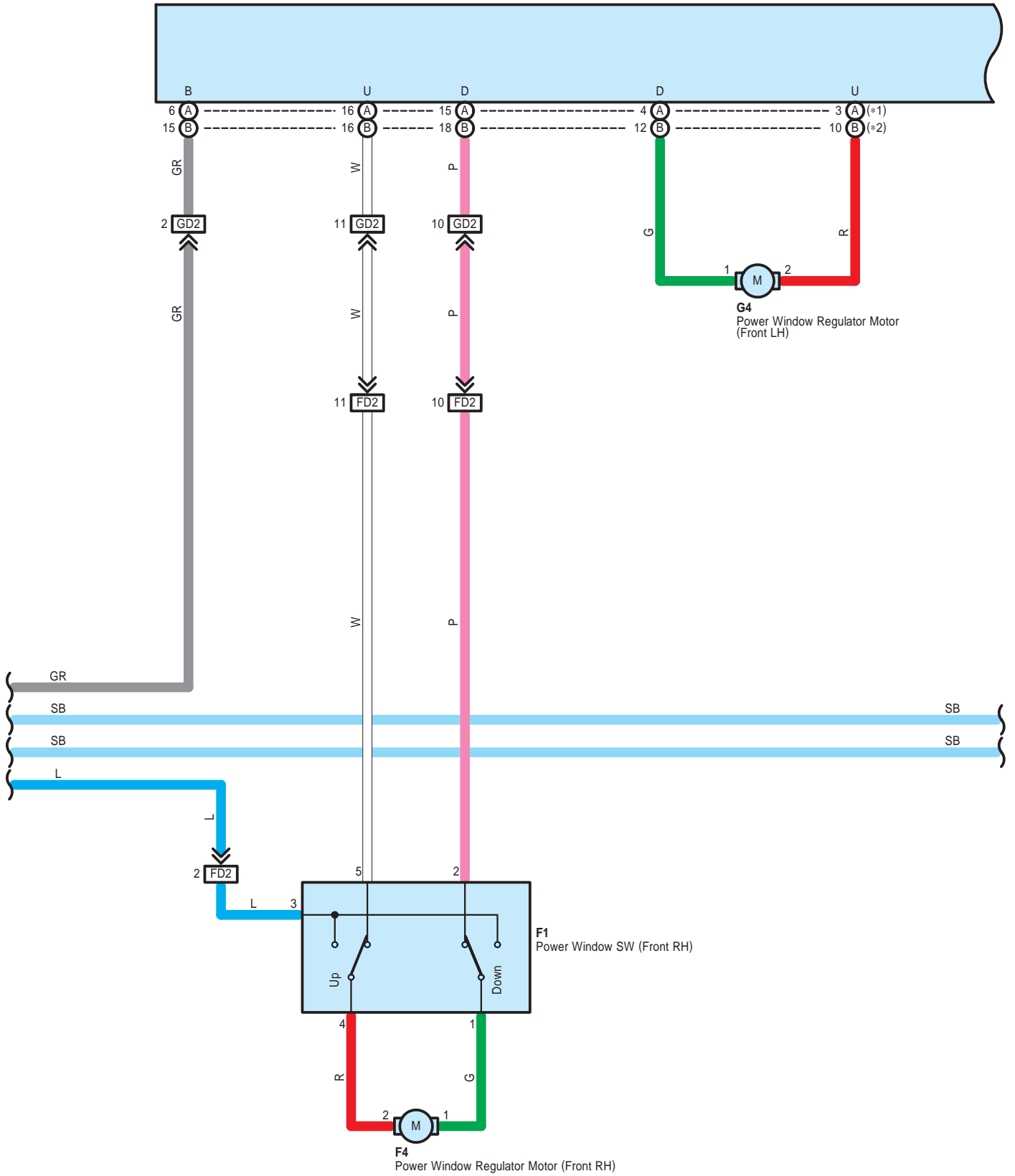


Power Window



* 1 : w/ Rear Power Window
 * 2 : w/o Rear Power Window

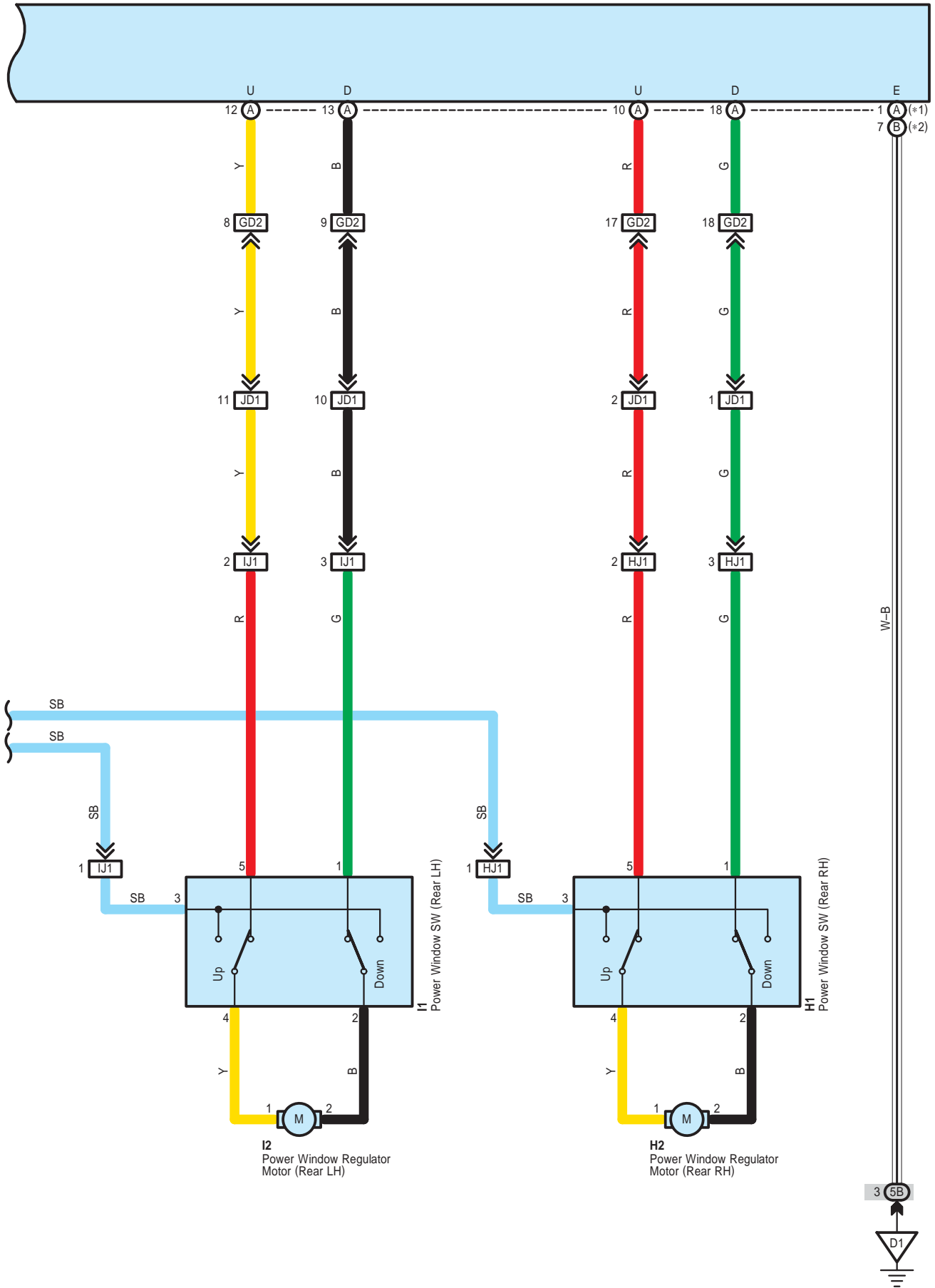
G1(A, B)
 Power Window Master SW



Power Window

* 1 : w/ Rear Power Window
 * 2 : w/o Rear Power Window

G1(A), (B)
 Power Window Master SW



System Outline

1. Manual Up-and-Down Function

During IG ON, one step operation upward (Pull) or downward (Push) of the door switch makes the door glass move upward or downward. Manual operation of the power window master switch for each window can control operation of each window remotely from the driver's seat. The door glass stops at the position when the switch is released.

2. One-Touch Auto Down Function

During IG ON, two step operation downward (Push) of the master switch of the driver's door glass makes the driver's door glass move automatically downward to the full-open position. The auto operation to either direction can be suspended by one step operation to the opposite side from the operating direction.

3. Power Window Jam Protection Function

If a foreign object gets jammed in the window during the manual operation, the door glass automatically goes down by about 50mm (or for about one second). If the door glass opening is less than 200mm after the move, the glass goes down to reach about 200mm of the opening (or for about 5 seconds).

4. Window Lock

All the power window operations except driver's side are disabled when the window lock switch of the power window master switch is pressed on.

5. Fail Mode LED Blinking

Self-diagnosis switches it to the fail mode and the indicator light (LED) in the switch knob blinks to inform the user under the following conditions.

- * When abnormality is found in the hall IC that detects the position, speed and direction of the door glass.
- * When there is larger difference than the predetermined one between the position information that the hall IC detects and the position information that the power window switch memorizes.

○ : Parts Location

Code	See Page	Code	See Page	Code	See Page	
A28	43, 46 (H/B)	G1	A	58 (4-Door)	H2	58 (4-Door)
	43, 48 (S/D)		B	54 (5-Door)	I1	54 (5-Door)
F1	54 (5-Door)			56 (3-Door)		I2
	56 (3-Door)		G4	58 (4-Door)	54 (5-Door)	
F4	54 (5-Door)	56 (3-Door)		J2	55 (5-Door)	
	56 (3-Door)	58 (4-Door)			57 (3-Door)	
	58 (4-Door)	H1	54 (5-Door)		59 (4-Door)	
G1	A		54 (5-Door)			
			H2	54 (5-Door)		

○ : Relay Blocks

Code	See Page	Relay Blocks (Relay Block Location)
1	24	Engine Room R/B (Engine Compartment Left)

○ : Junction Block and Wire Harness Connector

Code	See Page	Junction Block and Wire Harness (Connector Location)
4A	30	Floor Wire and Instrument Panel J/B (Lower Finish Panel)
4B	30	Engine Room Main Wire and Instrument Panel J/B (Lower Finish Panel)
4E	30	Instrument Panel Wire and Instrument Panel J/B (Lower Finish Panel)
4G	30	Engine Room Main Wire and Instrument Panel J/B (Lower Finish Panel)
4H	30	Instrument Panel Wire and Instrument Panel J/B (Lower Finish Panel)
5B	38	Front Door LH Wire and J/B No.5 (Left Kick Panel)

Power Window

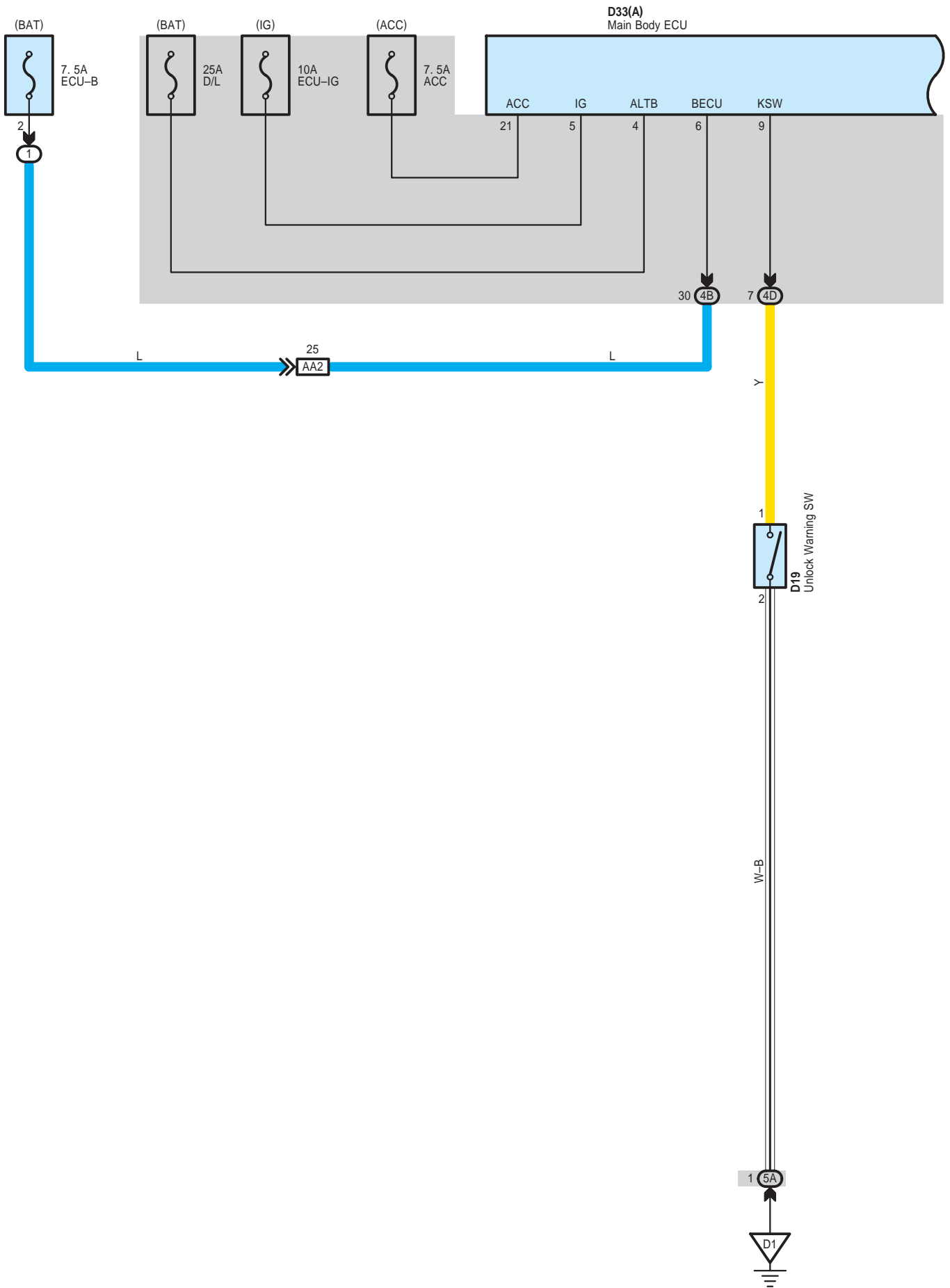
 : Connector Joining Wire Harness and Wire Harness

Code	See Page	Joining Wire Harness and Wire Harness (Connector Location)
AA2	62 (H/B)	Engine Room Main Wire and Engine Room Main Wire (Instrument Panel Left)
	63 (S/D)	
FD2	62 (H/B)	Front Door RH Wire and Instrument Panel Wire (Right Kick Panel)
	63 (S/D)	
GD2	62 (H/B)	Front Door LH Wire and Instrument Panel Wire (Left Kick Panel)
	63 (S/D)	
HJ1	64 (5-Door)	Rear Door No.1 Wire and Floor Wire (Right Center Pillar)
	66 (4-Door)	
IJ1	64 (5-Door)	Rear Door No.2 Wire and Floor Wire (Left Center Pillar)
	66 (4-Door)	
JD1	62 (H/B)	Floor Wire and Instrument Panel Wire (Instrument Panel Left)
	63 (S/D)	

 : Ground Points

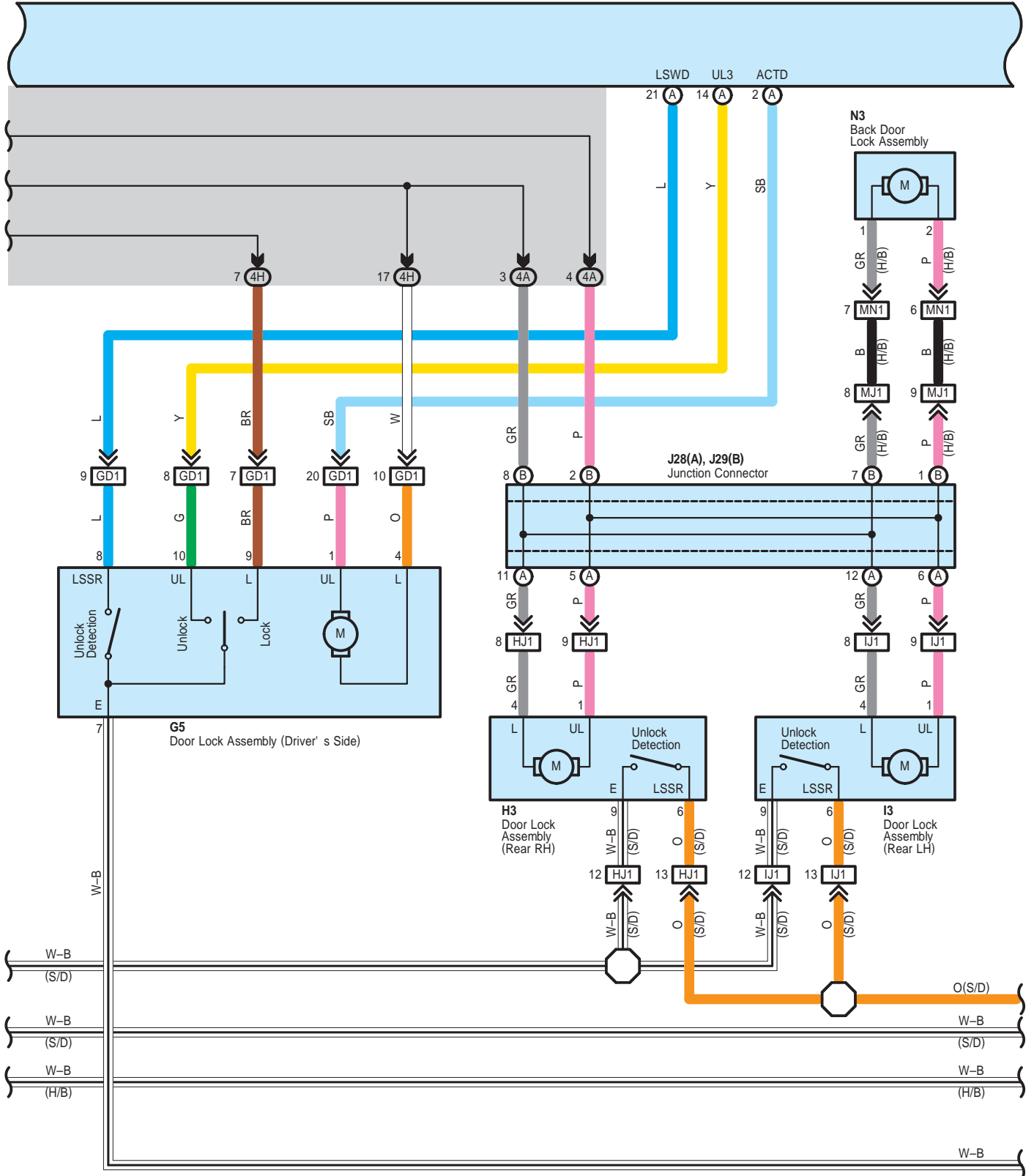
Code	See Page	Ground Points Location
D1	62 (H/B)	Left Kick Panel
	63 (S/D)	

Door Lock Control

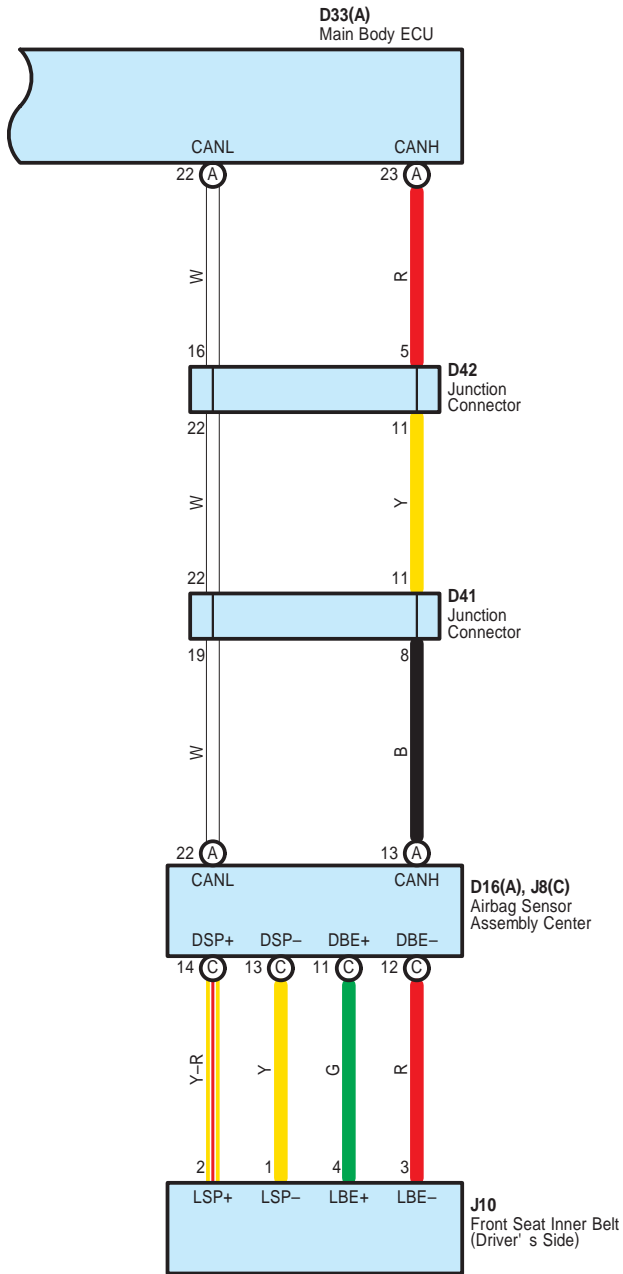


Door Lock Control

D33(A)
Main Body ECU



Door Lock Control



System Outline

1. Manual Lock & Unlock Function

All the doors (Including the back door) are locked or unlocked by operating the door lock control switch (For manual operation) to 'lock' or 'unlock' side.

2. Door Key-Linked Lock & Unlock Function

All the doors (Including the back door) are locked or unlocked by operating the key plate to 'lock' or 'unlock' side after inserting the key plate into driver's door key cylinder.

3. Key Confinement Prevention Function

To prevent the key confinement in the cabin, it controls not to lock the doors with the door lock control switch (For manual operation or for key-linked) or the door lock knob when the key plate is inserted in the ignition key cylinder with the driver's door open.

○ : Parts Location

Code		See Page	Code		See Page	Code		See Page	
D16	A	51 (H/B)	F7	58 (4-Door)		J8	C	50 (H/B)	
		53 (S/D)		54 (5-Door)				52 (S/D)	
D19		51 (H/B)	G1	A	58 (4-Door)	J10		55 (5-Door)	
		53 (S/D)			56 (3-Door)			57 (3-Door)	
D30	51 (H/B)	G5	54 (5-Door)		J28			A	59 (4-Door)
D33	A		51 (H/B)	56 (3-Door)					55 (5-Door)
			53 (S/D)	58 (4-Door)		57 (3-Door)			
D40	51 (H/B)	G7	58 (4-Door)		J29	B	59 (4-Door)		
D41		51 (H/B)	H3	54 (5-Door)			55 (5-Door)		
		53 (S/D)		58 (4-Door)		57 (3-Door)			
D42		51 (H/B)	I3	54 (5-Door)		N3		59 (4-Door)	
		53 (S/D)		58 (4-Door)				54 (5-Door)	
F5		54 (5-Door)	J2	55 (5-Door)				56 (3-Door)	
		56 (3-Door)		57 (3-Door)					
		58 (4-Door)		59 (4-Door)					

○ : Relay Blocks

Code	See Page	Relay Blocks (Relay Block Location)
1	24	Engine Room R/B (Engine Compartment Left)

○ : Junction Block and Wire Harness Connector

Code	See Page	Junction Block and Wire Harness (Connector Location)
4A	30	Floor Wire and Instrument Panel J/B (Lower Finish Panel)
4B	30	Engine Room Main Wire and Instrument Panel J/B (Lower Finish Panel)
4C	30	Instrument Panel Wire and Instrument Panel J/B (Lower Finish Panel)
4D		
4E		
4H		
4S	31	
5A	38	Instrument Panel Wire and J/B No.5 (Left Kick Panel)
5B	38	Front Door LH Wire and J/B No.5 (Left Kick Panel)
6A	40	Instrument Panel Wire and J/B No.6 (Right Kick Panel)
6B	40	Front Door RH Wire and J/B No.6 (Right Kick Panel)

Door Lock Control

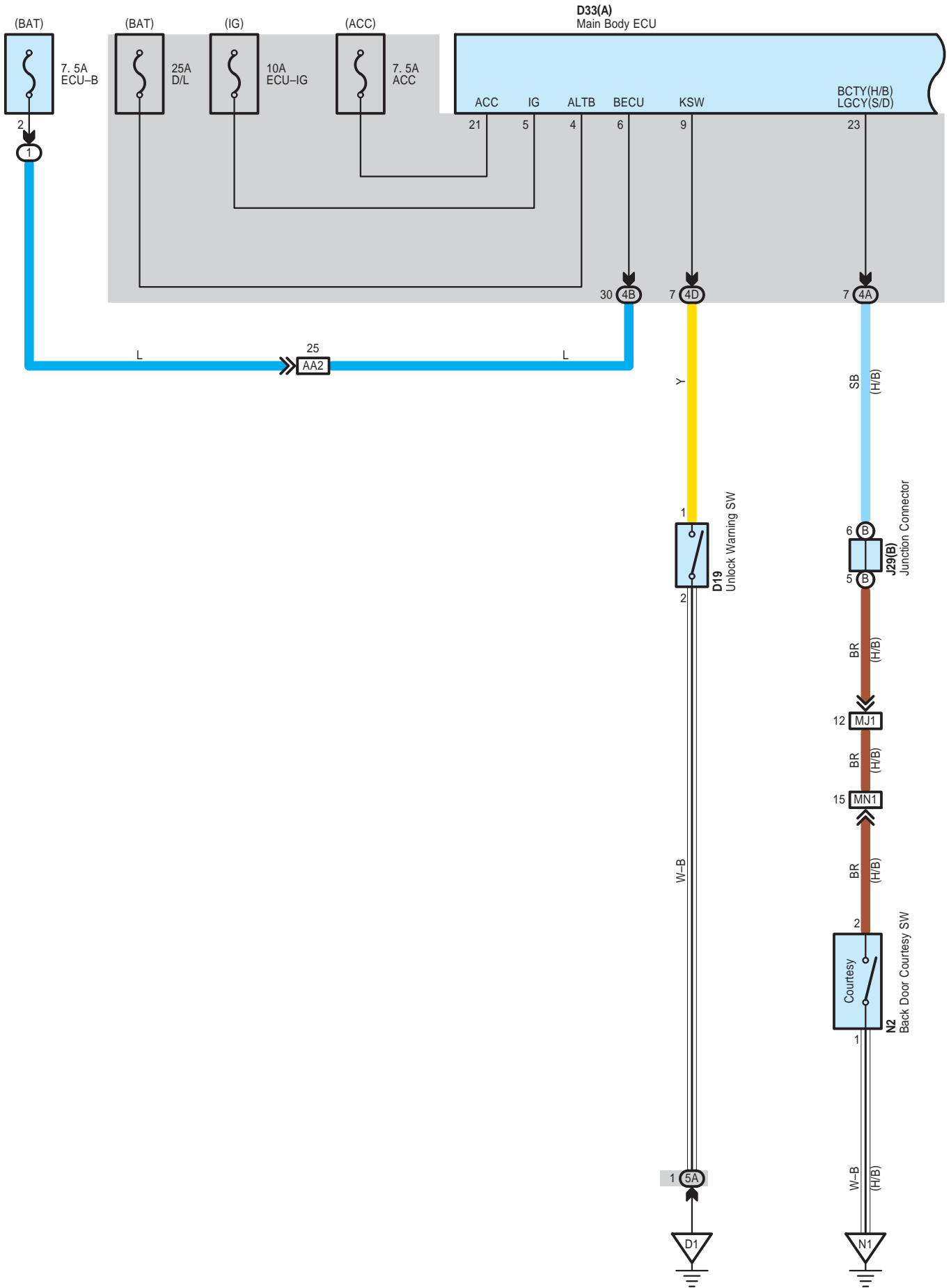
 : Connector Joining Wire Harness and Wire Harness

Code	See Page	Joining Wire Harness and Wire Harness (Connector Location)
AA2	62 (H/B)	Engine Room Main Wire and Engine Room Main Wire (Instrument Panel Left)
	63 (S/D)	
FD1	62 (H/B)	Front Door RH Wire and Instrument Panel Wire (Right Kick Panel)
	63 (S/D)	
GD1	62 (H/B)	Front Door LH Wire and Instrument Panel Wire (Left Kick Panel)
	63 (S/D)	
HJ1	64 (5-Door)	Rear Door No.1 Wire and Floor Wire (Right Center Pillar)
	66 (4-Door)	
IJ1	64 (5-Door)	Rear Door No.2 Wire and Floor Wire (Left Center Pillar)
	66 (4-Door)	
JD1	63 (S/D)	Floor Wire and Instrument Panel Wire (Instrument Panel Left)
JD2		
MJ1	64 (5-Door)	Back Door No.1 Wire and Floor Wire (Left Rear Quarter Panel)
	65 (3-Door)	
MN1	64 (5-Door)	Back Door No.1 Wire and Back Door No.2 Wire (Back Door Panel Center)
	65 (3-Door)	

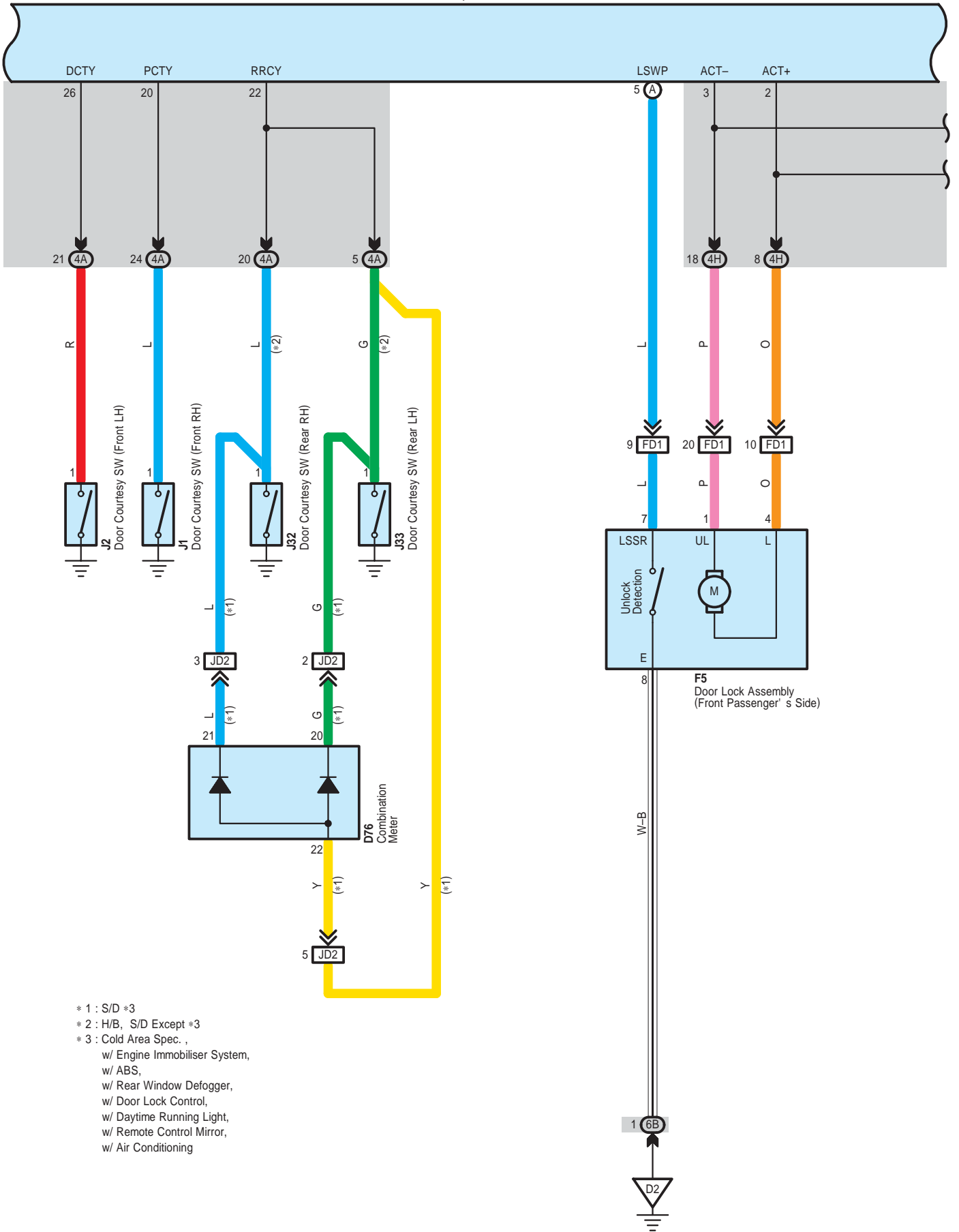
 : Ground Points

Code	See Page	Ground Points Location
D1	62 (H/B)	Left Kick Panel
	63 (S/D)	
D2	62 (H/B)	Right Kick Panel
	63 (S/D)	

Wireless Door Lock Control

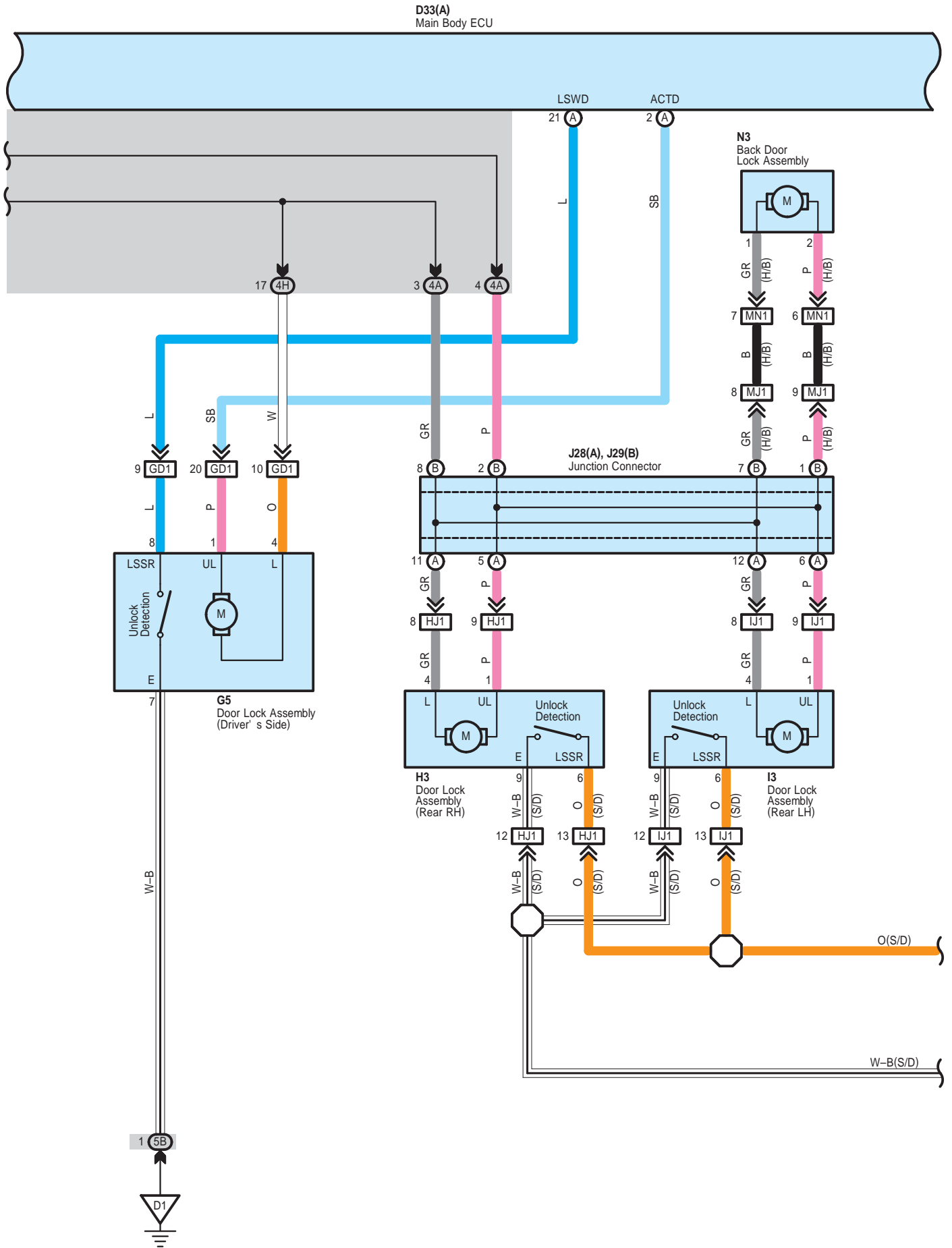


D33(A)
Main Body ECU



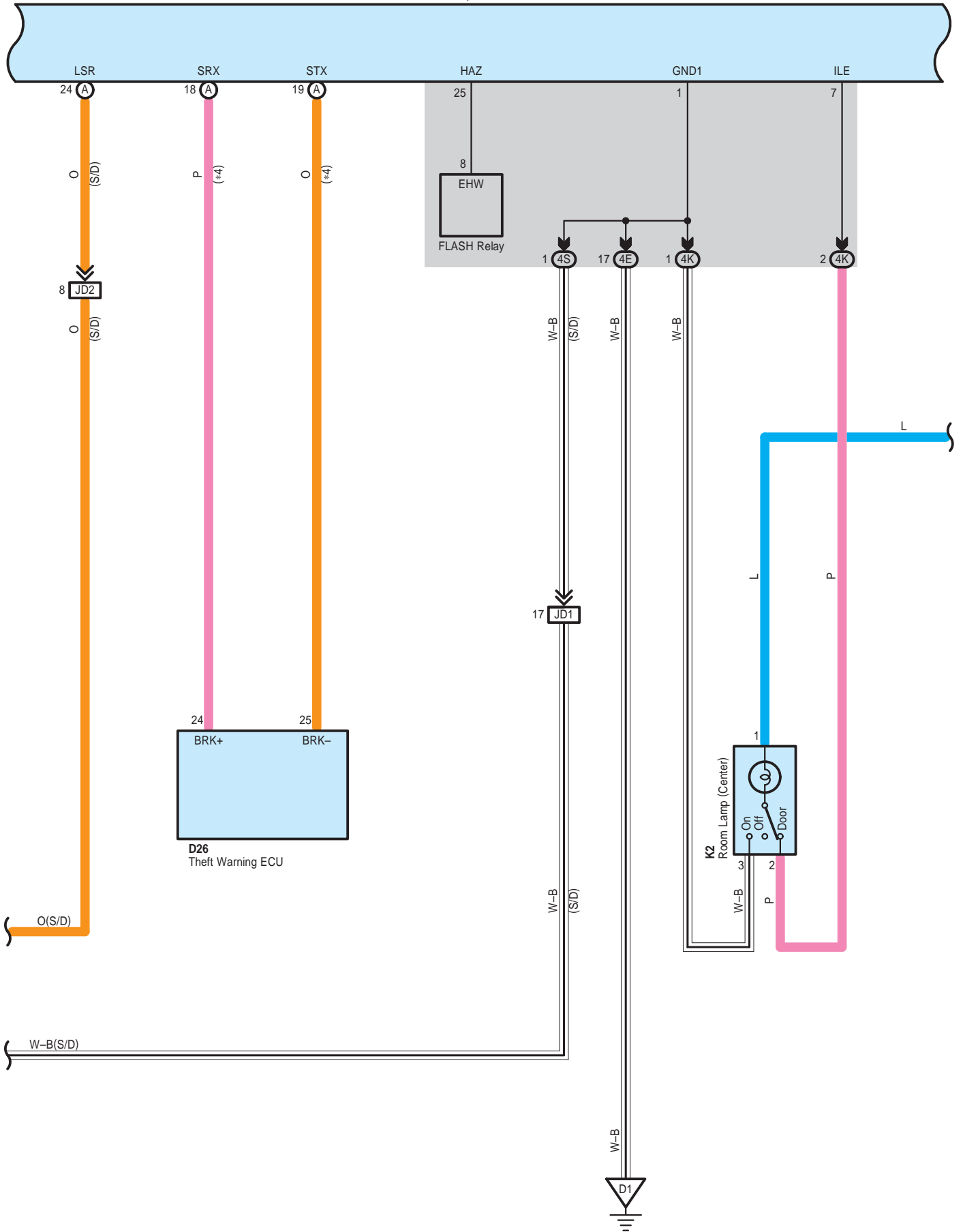
- * 1 : S/D *3
- * 2 : H/B, S/D Except *3
- * 3 : Cold Area Spec. ,
w/ Engine Immobiliser System,
w/ ABS,
w/ Rear Window Defogger,
w/ Door Lock Control,
w/ Daytime Running Light,
w/ Remote Control Mirror,
w/ Air Conditioning

Wireless Door Lock Control

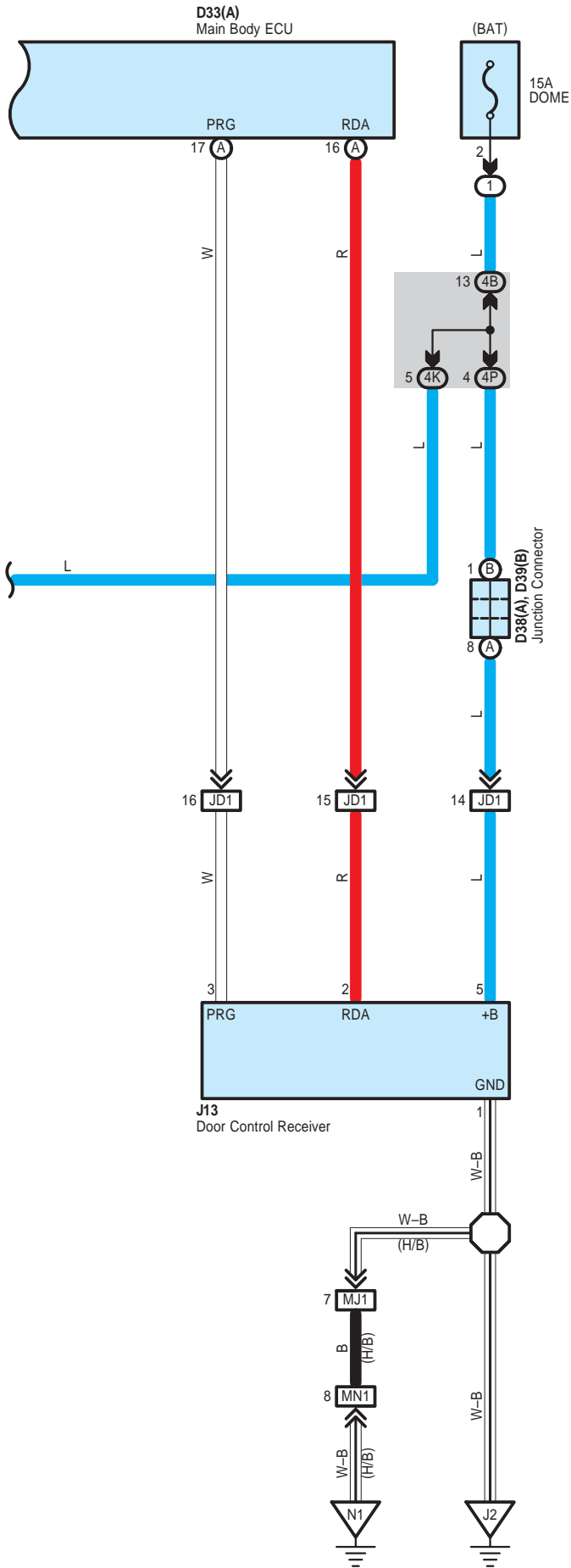


D33(A)
Main Body ECU

* 4 : w/ Theft Deterrent System



Wireless Door Lock Control



System Outline

1. Wireless Lock & Unlock Function

Pushing the lock button locks all the doors and pushing the unlock button unlocks the all the doors.

2. 30-Second Auto Lock Function

If none of the door are opened within 30 seconds after they are unlocked with the unlock button, all the doors are locked automatically again to prevent the doors from being left open.

3. Operation Prohibition Function with the Door Open

When one of the doors is ajar or open, the door lock operation through the wireless remote control is prohibited.

4. Repeat Function

If a door lock operation has not been confirmed for some reason after the system conducts the lock operation, the system repeats the lock operation after approximately one second.

5. Answer Back Function (Hazard Light Flashing)

The hazard light flashes once when locking, and flashes twice when unlocking if the doors are locked/unlocked through the wireless remote control.

6. Key Reminder Function

When the key is inserted in the key cylinder, all the operations of the wireless remote control system are prohibited.

7. Illuminating Function

When the doors are unlocked with the wireless remote control, the interior lights are lit for approximately 15 seconds if the interior light switch is at 'door' position.

8. Wireless Security Function

The security function is adopted under which the door unlock and the like are controlled only when the wireless receiver checks the encrypted code sent from the transmitter key and identifies it as its own vehicle's code.

○ : Parts Location

Code	See Page	Code	See Page	Code	See Page	
D19	51 (H/B)	G5	56 (3-Door)	J28	A	57 (3-Door)
	53 (S/D)		58 (4-Door)			59 (4-Door)
D26	51 (H/B)	H3	54 (5-Door)	J29	B	55 (5-Door)
	53 (S/D)		58 (4-Door)			57 (3-Door)
D33	A	I3	54 (5-Door)	J32		59 (4-Door)
			53 (S/D)			58 (4-Door)
D38	A	J1	55 (5-Door)	J33		59 (4-Door)
			51 (H/B)			57 (3-Door)
D39	B	J2	59 (4-Door)	K2		59 (4-Door)
			53 (S/D)			55 (5-Door)
D76	53 (S/D)	J13	57 (3-Door)	N2		56 (3-Door)
F5	54 (5-Door)		59 (4-Door)			58 (4-Door)
	G1	A	J13	55 (5-Door)	N3	
56 (3-Door)				57 (3-Door)		
G5	54 (5-Door)	J28	A			54 (5-Door)
						59 (4-Door)

○ : Relay Blocks

Code	See Page	Relay Blocks (Relay Block Location)
1	24	Engine Room R/B (Engine Compartment Left)

Wireless Door Lock Control

: Junction Block and Wire Harness Connector

Code	See Page	Junction Block and Wire Harness (Connector Location)
4A	30	Floor Wire and Instrument Panel J/B (Lower Finish Panel)
4B	30	Engine Room Main Wire and Instrument Panel J/B (Lower Finish Panel)
4D	30	Instrument Panel Wire and Instrument Panel J/B (Lower Finish Panel)
4E		
4H		
4K	30	Roof Wire and Instrument Panel J/B (Lower Finish Panel)
4P	31	Instrument Panel Wire and Instrument Panel J/B (Lower Finish Panel)
4S		
5A	38	Instrument Panel Wire and J/B No.5 (Left Kick Panel)
5B	38	Front Door LH Wire and J/B No.5 (Left Kick Panel)
6B	40	Front Door RH Wire and J/B No.6 (Right Kick Panel)

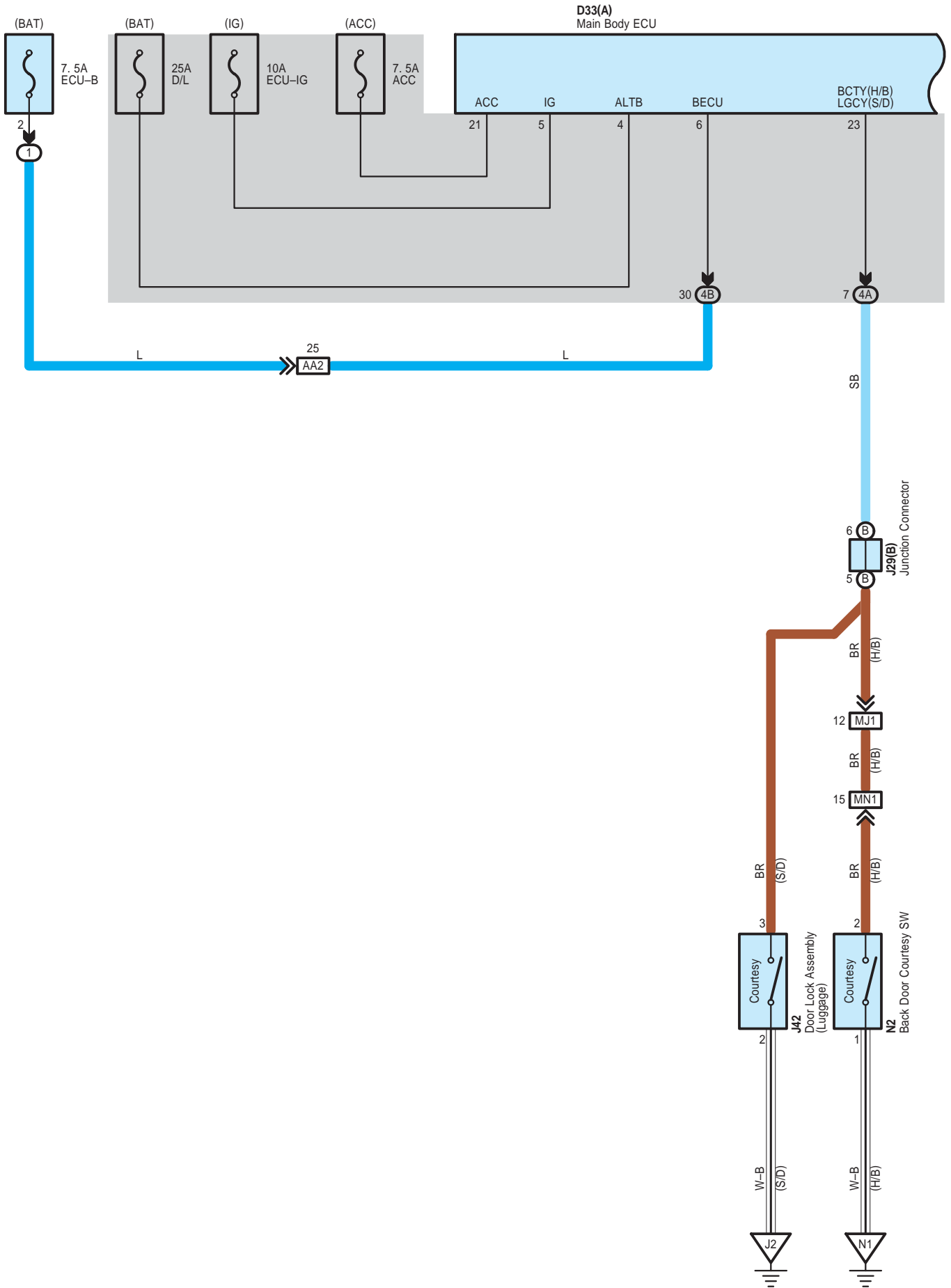
: Connector Joining Wire Harness and Wire Harness

Code	See Page	Joining Wire Harness and Wire Harness (Connector Location)
AA2	62 (H/B)	Engine Room Main Wire and Engine Room Main Wire (Instrument Panel Left)
	63 (S/D)	
FD1	62 (H/B)	Front Door RH Wire and Instrument Panel Wire (Right Kick Panel)
	63 (S/D)	
GD1	62 (H/B)	Front Door LH Wire and Instrument Panel Wire (Left Kick Panel)
	63 (S/D)	
HJ1	64 (5-Door)	Rear Door No.1 Wire and Floor Wire (Right Center Pillar)
	66 (4-Door)	
IJ1	64 (5-Door)	Rear Door No.2 Wire and Floor Wire (Left Center Pillar)
	66 (4-Door)	
JD1	62 (H/B)	Floor Wire and Instrument Panel Wire (Instrument Panel Left)
	63 (S/D)	
JD2	63 (S/D)	
MJ1	64 (5-Door)	Back Door No.1 Wire and Floor Wire (Left Rear Quarter Panel)
	65 (3-Door)	
MN1	64 (5-Door)	Back Door No.1 Wire and Back Door No.2 Wire (Back Door Panel Center)
	65 (3-Door)	

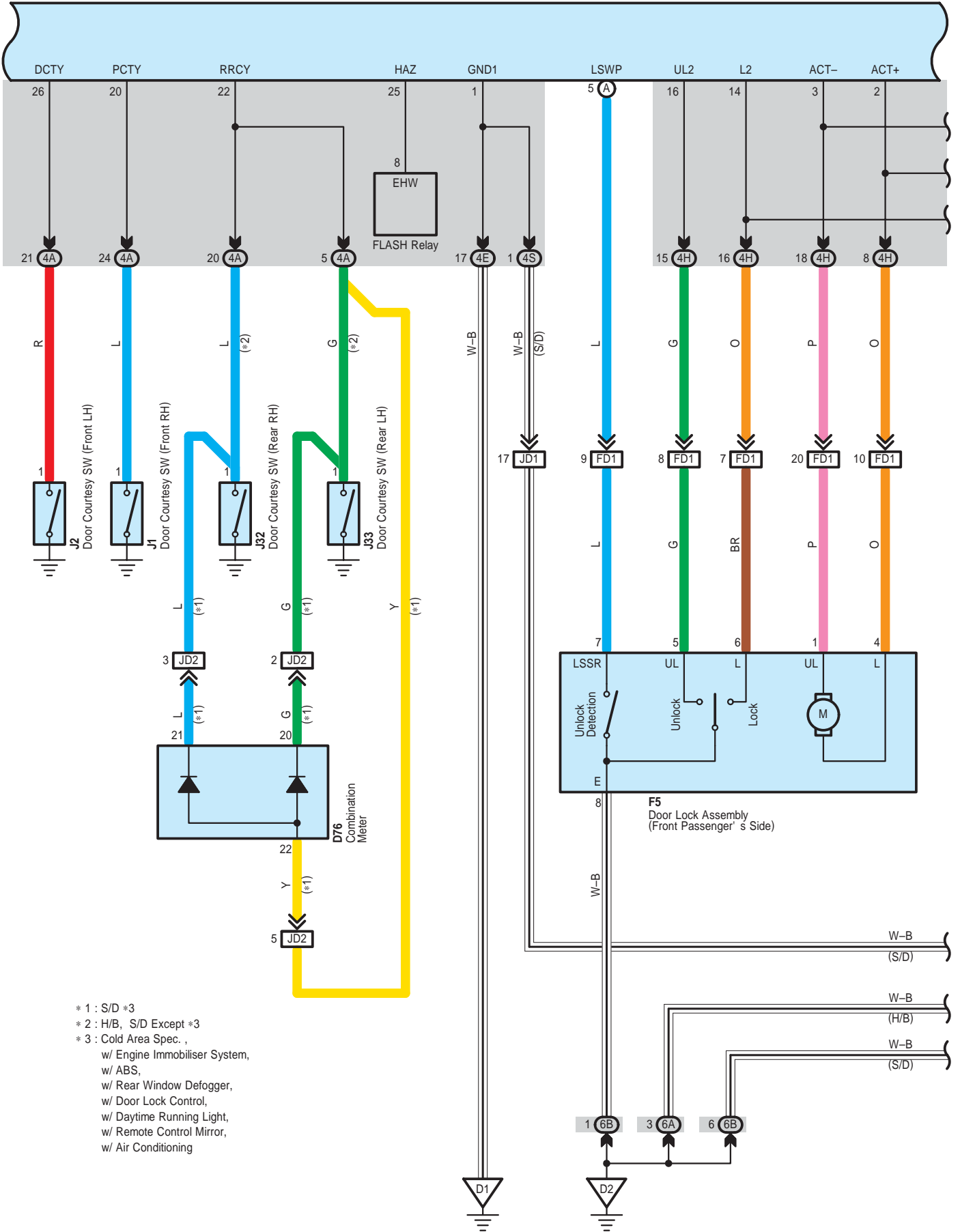
: Ground Points

Code	See Page	Ground Points Location
D1	62 (H/B)	Left Kick Panel
	63 (S/D)	
D2	62 (H/B)	Right Kick Panel
	63 (S/D)	
J2	64 (5-Door)	Left Rear Quarter Panel
	65 (3-Door)	
	66 (4-Door)	Lower Back Panel Left
N1	64 (5-Door)	Back Door Panel Center
	65 (3-Door)	

Theft Deterrent



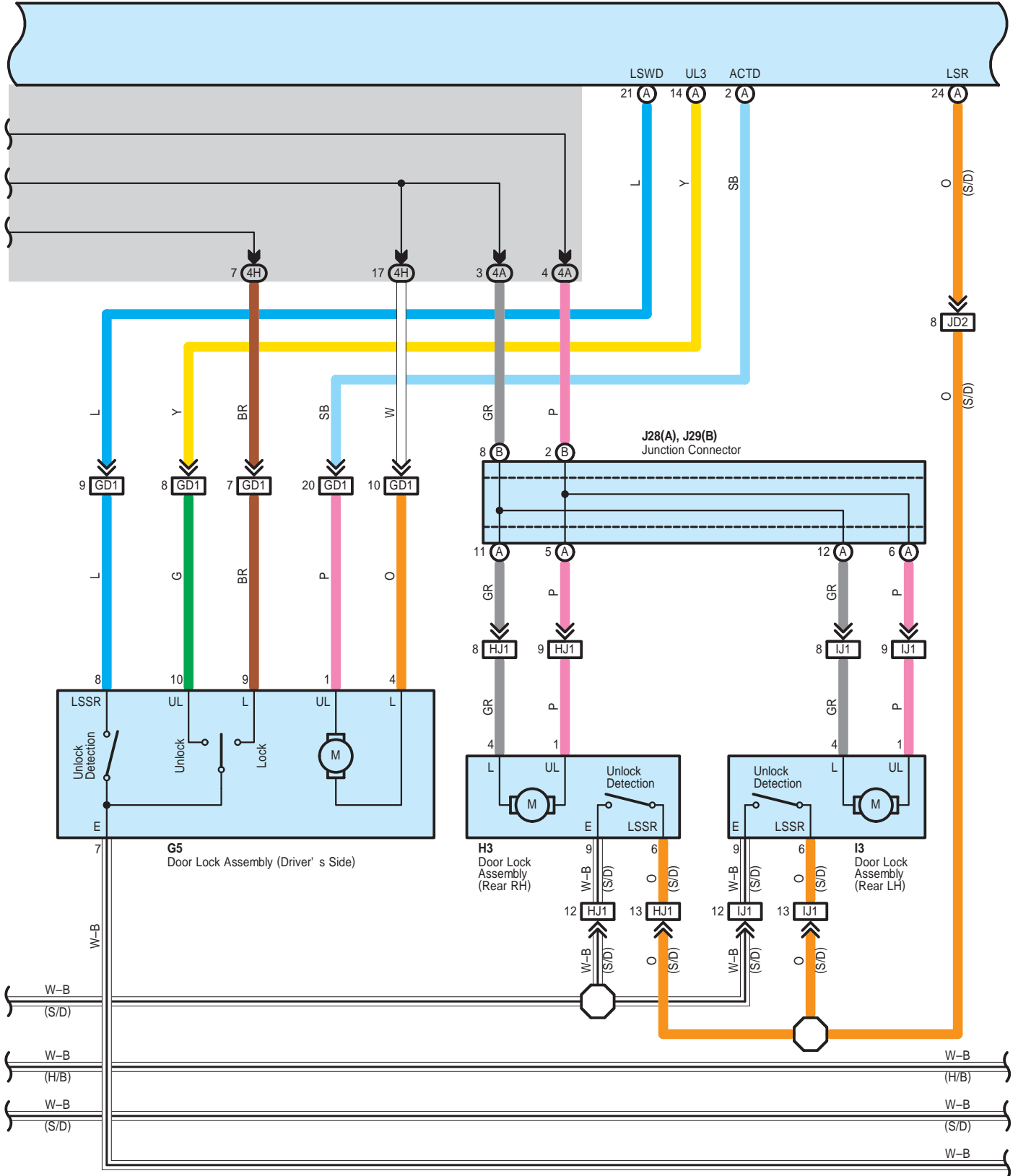
D33(A)
Main Body ECU



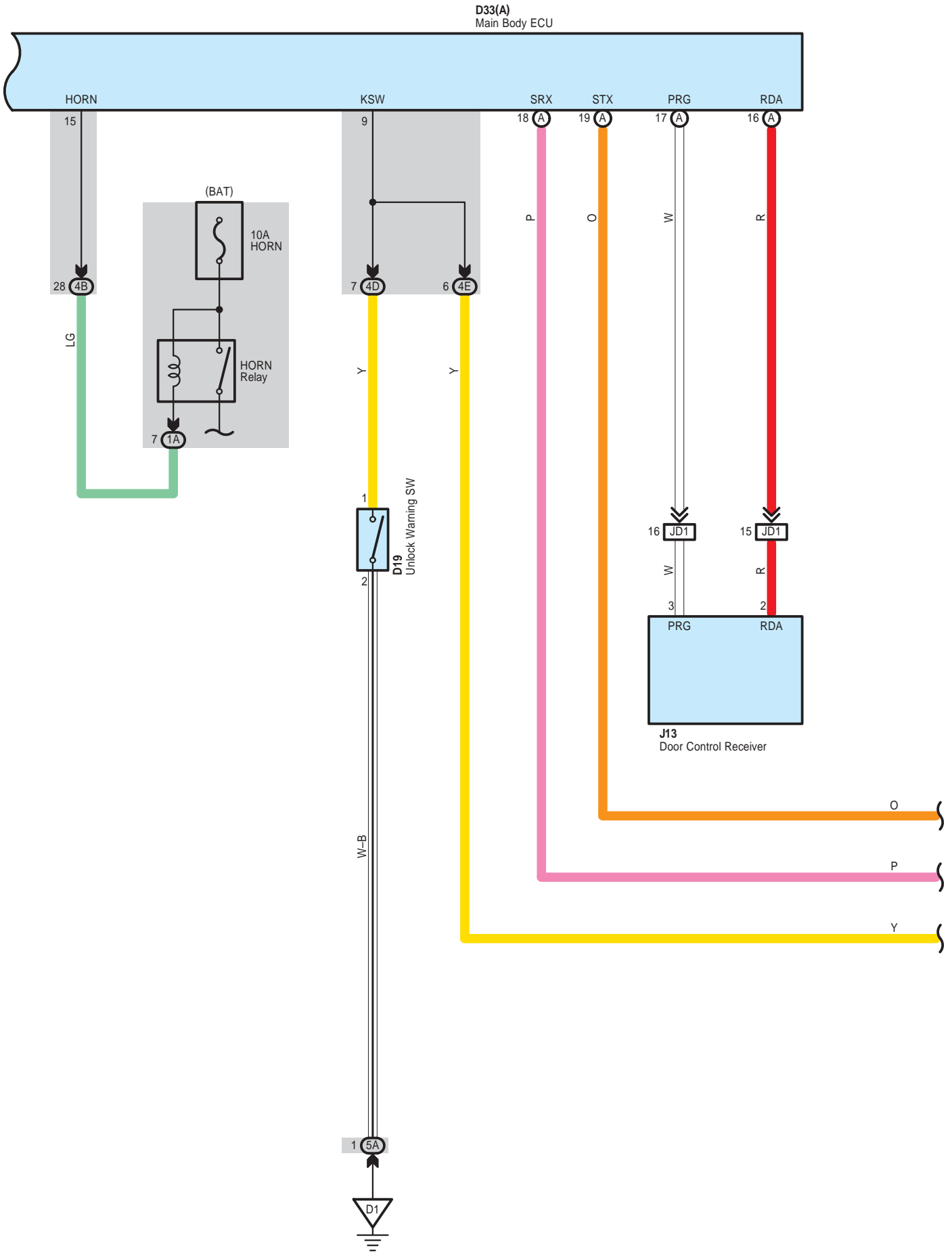
- * 1 : S/D *3
- * 2 : H/B, S/D Except *3
- * 3 : Cold Area Spec. ,
w/ Engine Immobiliser System,
w/ ABS,
w/ Rear Window Defogger,
w/ Door Lock Control,
w/ Daytime Running Light,
w/ Remote Control Mirror,
w/ Air Conditioning

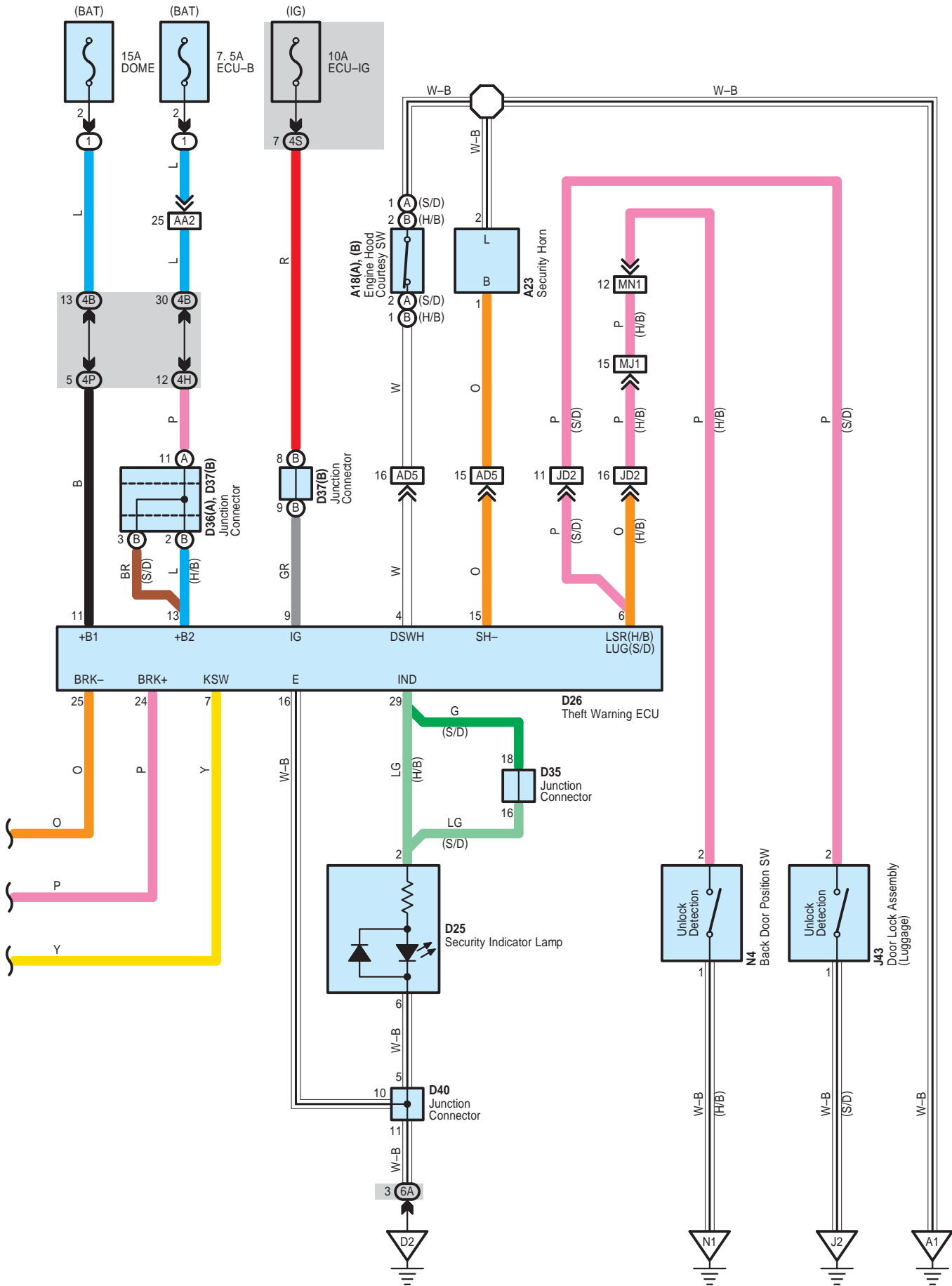
Theft Deterrent

D33(A)
Main Body ECU



Theft Deterrent





YARIS (EM01V0U)

Theft Deterrent

○ : Parts Location

Code	See Page	Code	See Page	Code	See Page	
A18	A	48 (S/D)	F5	J13	54 (5-Door)	
	B	46 (H/B)			56 (3-Door)	
A23	46 (H/B)	58 (4-Door)			J28	A
	48 (S/D)	F7	58 (4-Door)	57 (3-Door)		
D19	51 (H/B)	G1	A	J29	B	59 (4-Door)
	53 (S/D)					54 (5-Door)
D25	51 (H/B)	G5	B	J32	B	57 (3-Door)
	53 (S/D)					56 (3-Door)
D26	51 (H/B)	G7	H3	J33	B	55 (5-Door)
	53 (S/D)					58 (4-Door)
D30	51 (H/B)	I3	J1	J42	N2	59 (4-Door)
D33	A					54 (5-Door)
	D35	51 (H/B)	J2	J3	J43	N4
53 (S/D)		58 (4-Door)				
D36	A	J1	J4	N2	N4	54 (5-Door)
	53 (S/D)					57 (3-Door)
D37	B	J1	J5	N2	N4	54 (5-Door)
	51 (H/B)					59 (4-Door)
D40	51 (H/B)	J2	J6	N4	N4	54 (5-Door)
	53 (S/D)					55 (5-Door)
D76	53 (S/D)					

○ : Relay Blocks

Code	See Page	Relay Blocks (Relay Block Location)
1	24	Engine Room R/B (Engine Compartment Left)
2	28	Engine Room R/B No.2 (Engine Compartment Right)

○ : Junction Block and Wire Harness Connector

Code	See Page	Junction Block and Wire Harness (Connector Location)
1A	25	Engine Room Main Wire and Engine Room J/B (Engine Compartment Left)
4A	30	Floor Wire and Instrument Panel J/B (Lower Finish Panel)
4B	30	Engine Room Main Wire and Instrument Panel J/B (Lower Finish Panel)
4C	30	Instrument Panel Wire and Instrument Panel J/B (Lower Finish Panel)
4D		
4E		
4H		
4J		
4P	31	
4S		
5A	38	Instrument Panel Wire and J/B No.5 (Left Kick Panel)
5B	38	Front Door LH Wire and J/B No.5 (Left Kick Panel)
6A	40	Instrument Panel Wire and J/B No.6 (Right Kick Panel)
6B	40	Front Door RH Wire and J/B No.6 (Right Kick Panel)

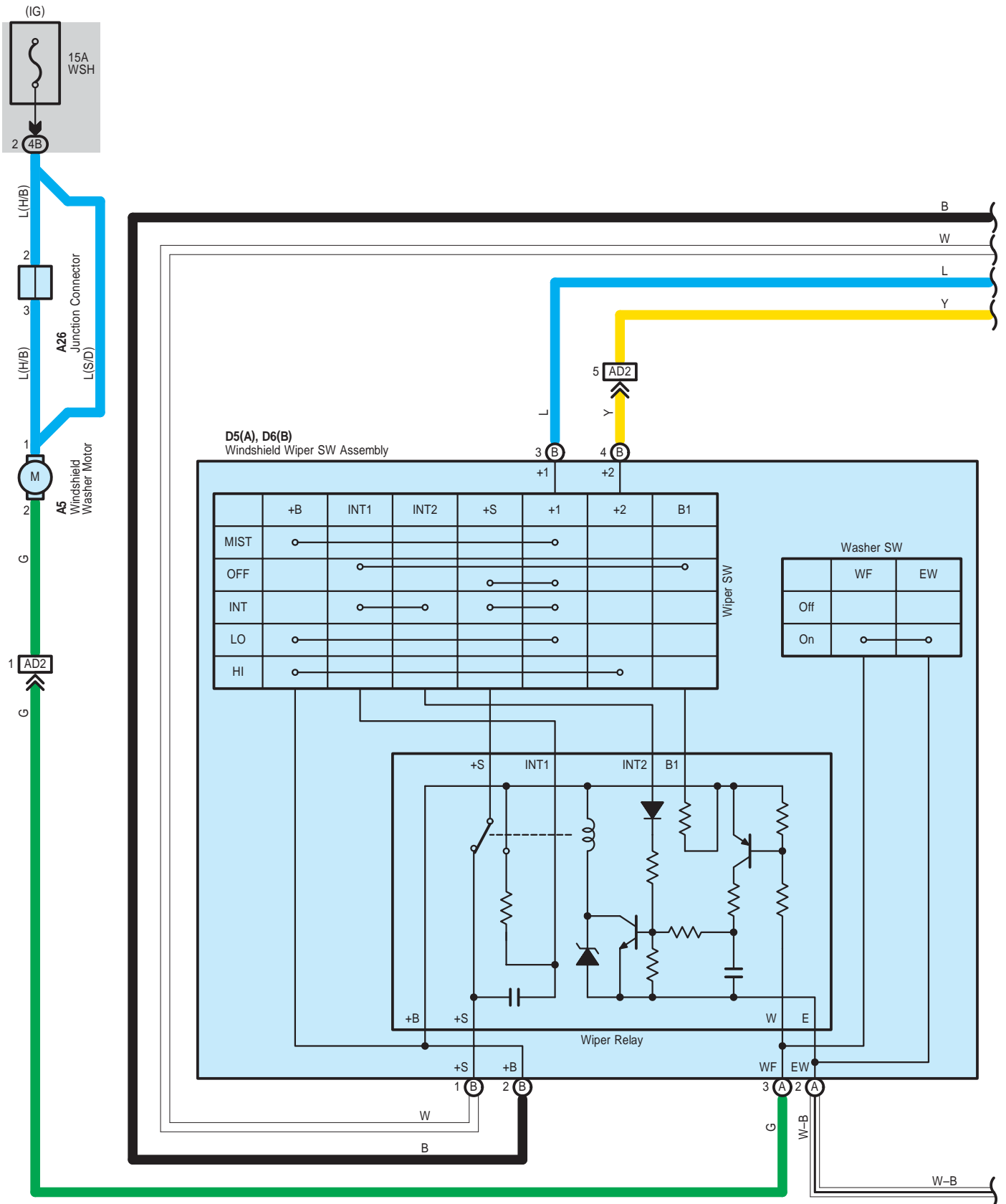
 : Connector Joining Wire Harness and Wire Harness

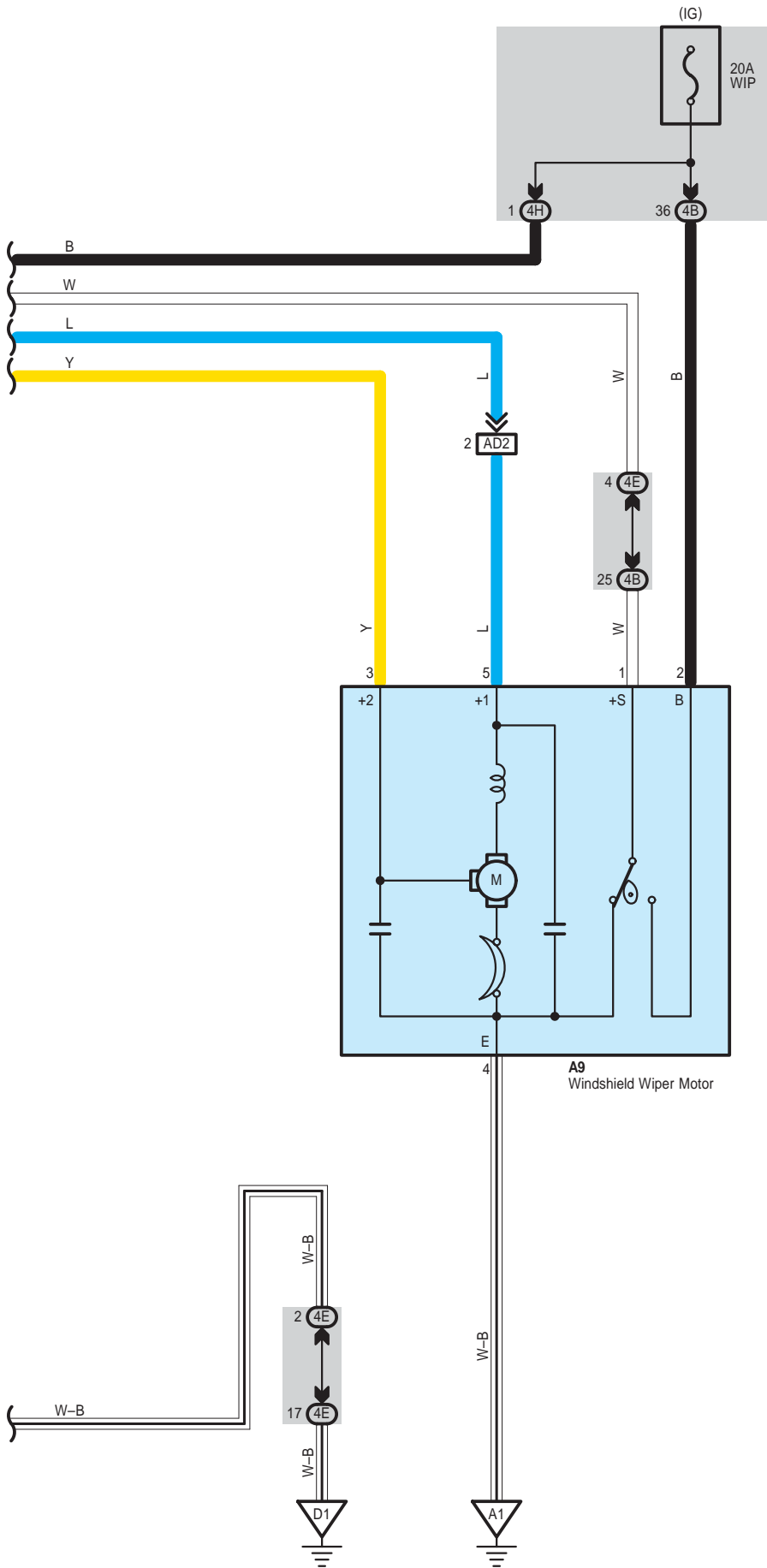
Code	See Page	Joining Wire Harness and Wire Harness (Connector Location)
AA2	62 (H/B)	Engine Room Main Wire and Engine Room Main Wire (Instrument Panel Left)
	63 (S/D)	
AD5	62 (H/B)	Engine Room Main Wire and Instrument Panel Wire (Instrument Panel Left)
	63 (S/D)	
FD1	62 (H/B)	Front Door RH Wire and Instrument Panel Wire (Right Kick Panel)
	63 (S/D)	
GD1	62 (H/B)	Front Door LH Wire and Instrument Panel Wire (Left Kick Panel)
	63 (S/D)	
HJ1	64 (5-Door)	Rear Door No.1 Wire and Floor Wire (Right Center Pillar)
	66 (4-Door)	
IJ1	64 (5-Door)	Rear Door No.2 Wire and Floor Wire (Left Center Pillar)
	66 (4-Door)	
JD1	62 (H/B)	Floor Wire and Instrument Panel Wire (Instrument Panel Left)
	63 (S/D)	
JD2	62 (H/B)	
	63 (S/D)	
MJ1	64 (5-Door)	Back Door No.1 Wire and Floor Wire (Left Rear Quarter Panel)
	65 (3-Door)	
MN1	64 (5-Door)	Back Door No.1 Wire and Back Door No.2 Wire (Back Door Panel Center)
	65 (3-Door)	

 : Ground Points

Code	See Page	Ground Points Location
A1	60 (H/B)	Left Suspension Tower
	61 (S/D)	
D1	62 (H/B)	Left Kick Panel
	63 (S/D)	
D2	62 (H/B)	Right Kick Panel
	63 (S/D)	
J2	66 (4-Door)	Lower Back Panel Left
N1	64 (5-Door)	Back Door Panel Center
	65 (3-Door)	

Front Wiper and Washer





Front Wiper and Washer

System Outline

1. Intermittent Function

When the wiper control switch is turned to INT position, the wiper makes intermittent operation with an interval time of approximately 3.3 seconds.

2. Washer-Linked Function

When the washer switch is turned ON for approximately 0.3 seconds or more, the wiper starts a LO operation at the same time as the washer fluid is ejected. When the switch is turned ON for approximately 1.5 seconds or more, the wiper keeps a LO operation for approximately 2.2 seconds after the washer switch is turned OFF, and then stops its operation.

○ : Parts Location

Code	See Page	Code	See Page	Code	See Page	
A5	46 (H/B)	A9	48 (S/D)	D5	A	53 (S/D)
	48 (S/D)	A26	50 (H/B)	D6	B	51 (H/B)
A9	46 (H/B)	D5	A			51 (H/B)

○ : Junction Block and Wire Harness Connector

Code	See Page	Junction Block and Wire Harness (Connector Location)
4B	30	Engine Room Main Wire and Instrument Panel J/B (Lower Finish Panel)
4E	30	Instrument Panel Wire and Instrument Panel J/B (Lower Finish Panel)
4H		

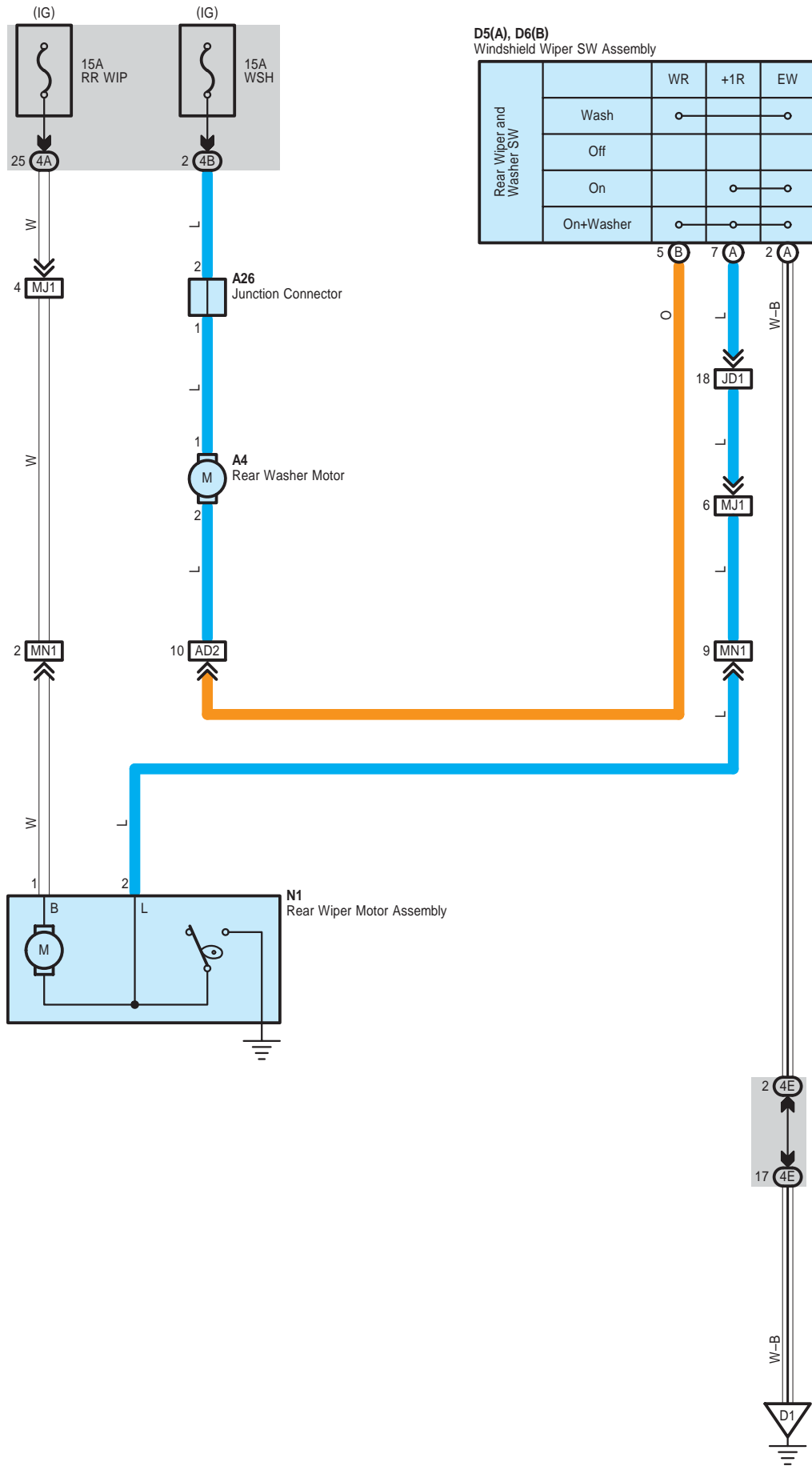
□ : Connector Joining Wire Harness and Wire Harness

Code	See Page	Joining Wire Harness and Wire Harness (Connector Location)
AD2	62 (H/B)	Engine Room Main Wire and Instrument Panel Wire (Instrument Panel Left)
	63 (S/D)	

▽ : Ground Points

Code	See Page	Ground Points Location
A1	60 (H/B)	Left Suspension Tower
	61 (S/D)	
D1	62 (H/B)	Left Kick Panel
	63 (S/D)	

Rear Wiper and Washer



 : **Parts Location**

Code	See Page	Code	See Page	Code	See Page
A4	46 (H/B)	D5	A	51 (H/B)	N1
A26	50 (H/B)	D6	B	51 (H/B)	
					54 (5-Door)
					56 (3-Door)

 : **Junction Block and Wire Harness Connector**

Code	See Page	Junction Block and Wire Harness (Connector Location)
4A	30	Floor Wire and Instrument Panel J/B (Lower Finish Panel)
4B	30	Engine Room Main Wire and Instrument Panel J/B (Lower Finish Panel)
4E	30	Instrument Panel Wire and Instrument Panel J/B (Lower Finish Panel)

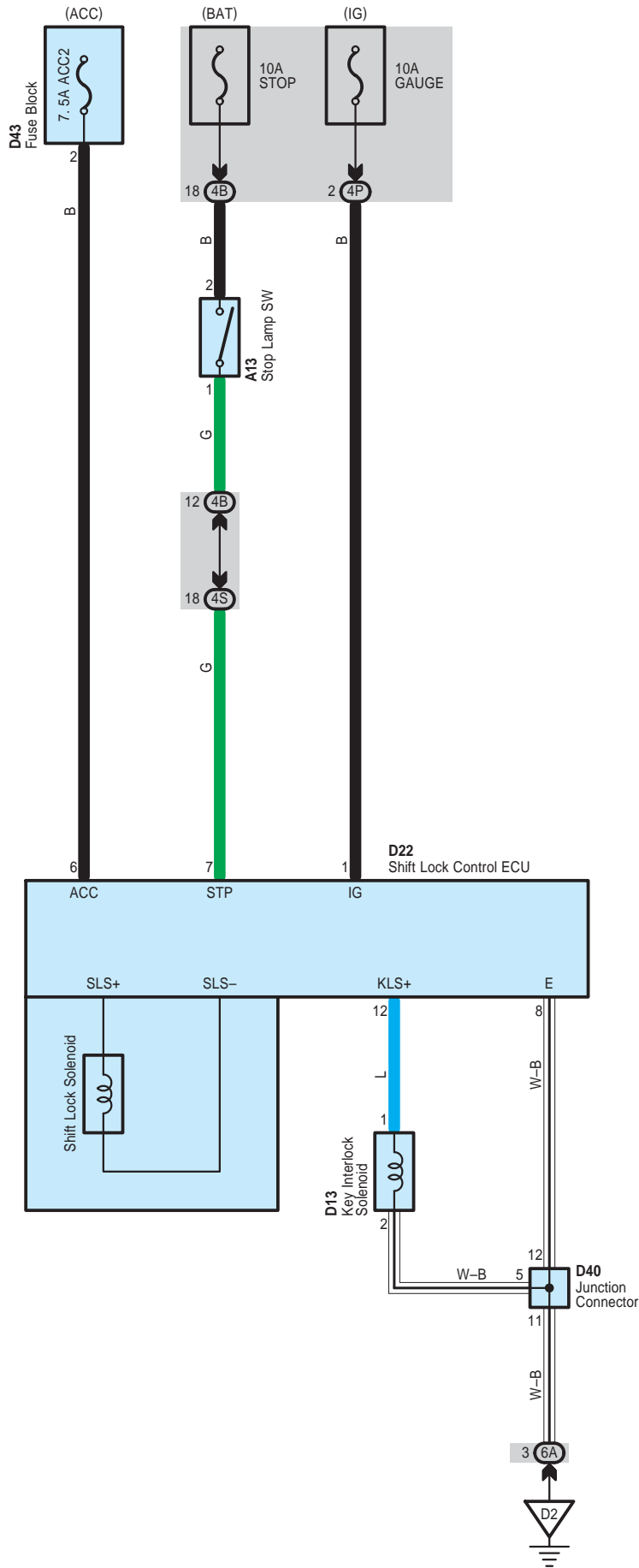
 : **Connector Joining Wire Harness and Wire Harness**

Code	See Page	Joining Wire Harness and Wire Harness (Connector Location)
AD2	62 (H/B)	Engine Room Main Wire and Instrument Panel Wire (Instrument Panel Left)
JD1	62 (H/B)	Floor Wire and Instrument Panel Wire (Instrument Panel Left)
MJ1	64 (5-Door)	Back Door No.1 Wire and Floor Wire (Left Rear Quarter Panel)
	65 (3-Door)	
MN1	64 (5-Door)	Back Door No.1 Wire and Back Door No.2 Wire (Back Door Panel Center)
	65 (3-Door)	

 : **Ground Points**

Code	See Page	Ground Points Location
D1	62 (H/B)	Left Kick Panel

Shift Lock



System Outline

The shift lever can be shifted from P range only when the brake pedal is depressed with the ignition key at ON position.

○ : Parts Location

Code	See Page	Code	See Page	Code	See Page
A13	50 (H/B)	D22	51 (H/B)	D43	45, 51 (H/B)
	52 (S/D)		53 (S/D)		45, 53 (S/D)
D13	51 (H/B)	D40	51 (H/B)		
	53 (S/D)		53 (S/D)		

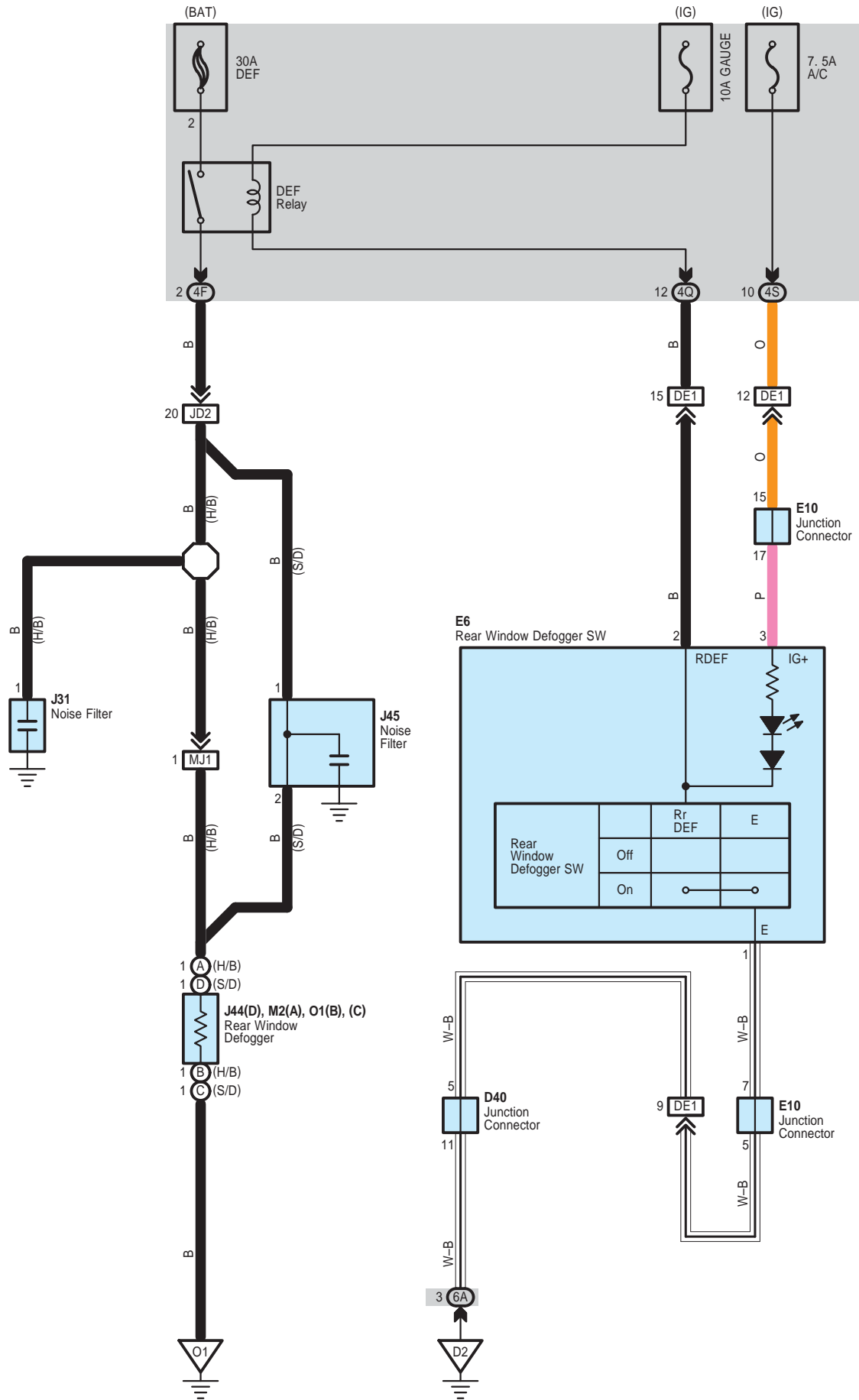
○ : Junction Block and Wire Harness Connector

Code	See Page	Junction Block and Wire Harness (Connector Location)
4B	30	Engine Room Main Wire and Instrument Panel J/B (Lower Finish Panel)
4P	31	Instrument Panel Wire and Instrument Panel J/B (Lower Finish Panel)
4S		
6A	40	Instrument Panel Wire and J/B No.6 (Right Kick Panel)

▽ : Ground Points

Code	See Page	Ground Points Location
D2	62 (H/B)	Right Kick Panel
	63 (S/D)	

Rear Window Defogger



 : **Parts Location**

Code	See Page	Code	See Page	Code	See Page	
D40	51 (H/B)	E10	52 (S/D)	M2	A	54 (5-Door)
	53 (S/D)		55 (5-Door)			56 (3-Door)
E6	50 (H/B)	J31	57 (3-Door)	O1	B	54 (5-Door)
	52 (S/D)		J44 D			59 (4-Door)
E10	50 (H/B)	J45	59 (4-Door)			C

 : **Junction Block and Wire Harness Connector**

Code	See Page	Junction Block and Wire Harness (Connector Location)
4F	30	Instrument Panel Wire and Instrument Panel J/B (Lower Finish Panel)
4Q	31	
4S		
6A	40	Instrument Panel Wire and J/B No.6 (Right Kick Panel)

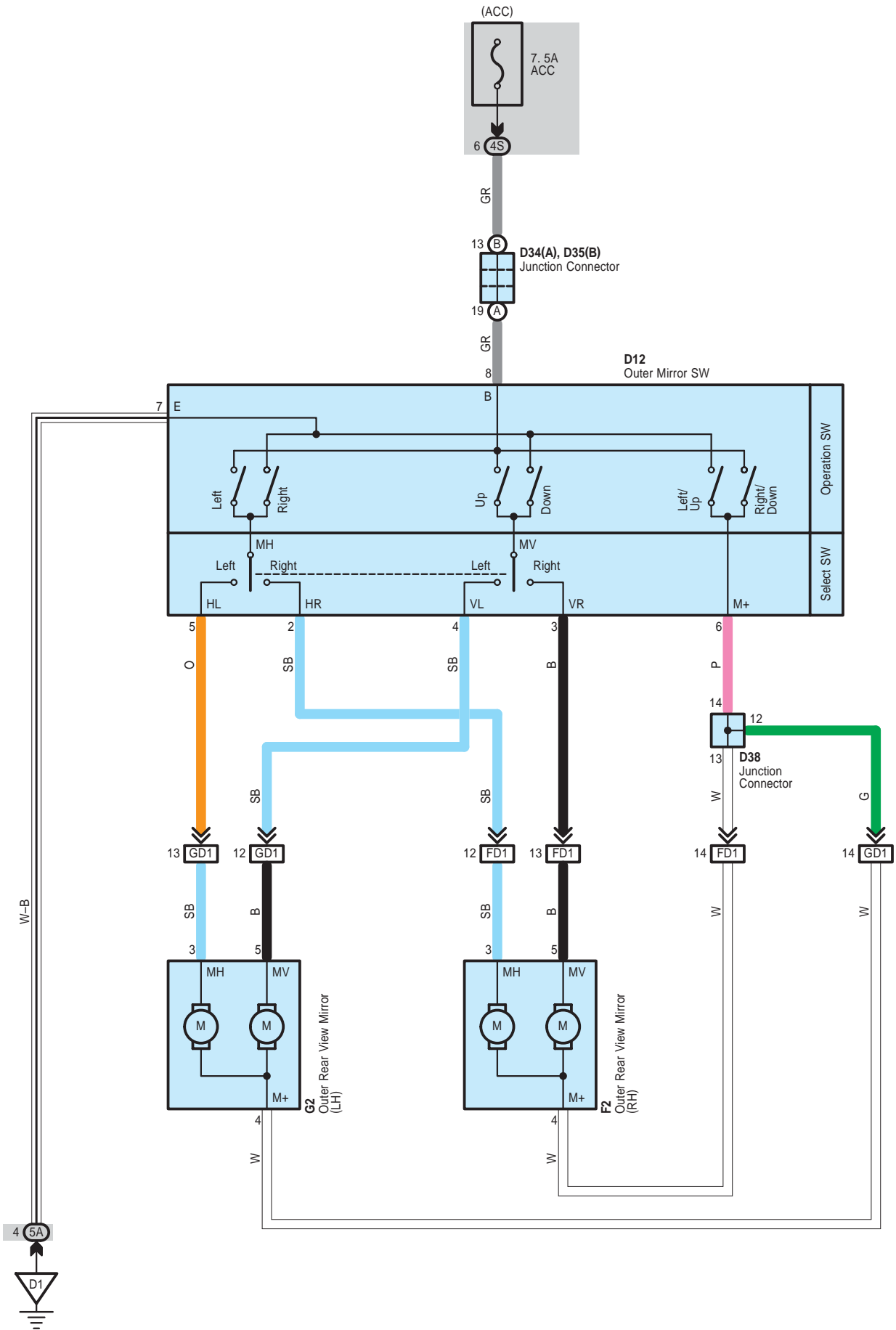
 : **Connector Joining Wire Harness and Wire Harness**

Code	See Page	Joining Wire Harness and Wire Harness (Connector Location)
DE1	62 (H/B)	Instrument Panel Wire and Instrument Panel No.2 Wire (Instrument Panel Center)
	63 (S/D)	
JD2	62 (H/B)	Floor Wire and Instrument Panel Wire (Instrument Panel Left)
	63 (S/D)	
MJ1	64 (5-Door)	Back Door No.1 Wire and Floor Wire (Left Rear Quarter Panel)
	65 (3-Door)	

 : **Ground Points**

Code	See Page	Ground Points Location
D2	62 (H/B)	Right Kick Panel
	63 (S/D)	
O1	64 (5-Door)	Back Door Panel Left
	65 (3-Door)	
	66 (4-Door)	Right Rear Quarter Panel

Remote Control Mirror



 : **Parts Location**

Code	See Page	Code	See Page	Code	See Page	
D12	51 (H/B)	D35	B	53 (S/D)	F2	58 (4-Door)
	53 (S/D)	D38		51 (H/B)	G2	54 (5-Door)
D34	A			53 (S/D)		56 (3-Door)
			F2	54 (5-Door)		58 (4-Door)
D35	B			56 (3-Door)		

 : **Junction Block and Wire Harness Connector**

Code	See Page	Junction Block and Wire Harness (Connector Location)
4S	31	Instrument Panel Wire and Instrument Panel J/B (Lower Finish Panel)
5A	38	Instrument Panel Wire and J/B No.5 (Left Kick Panel)

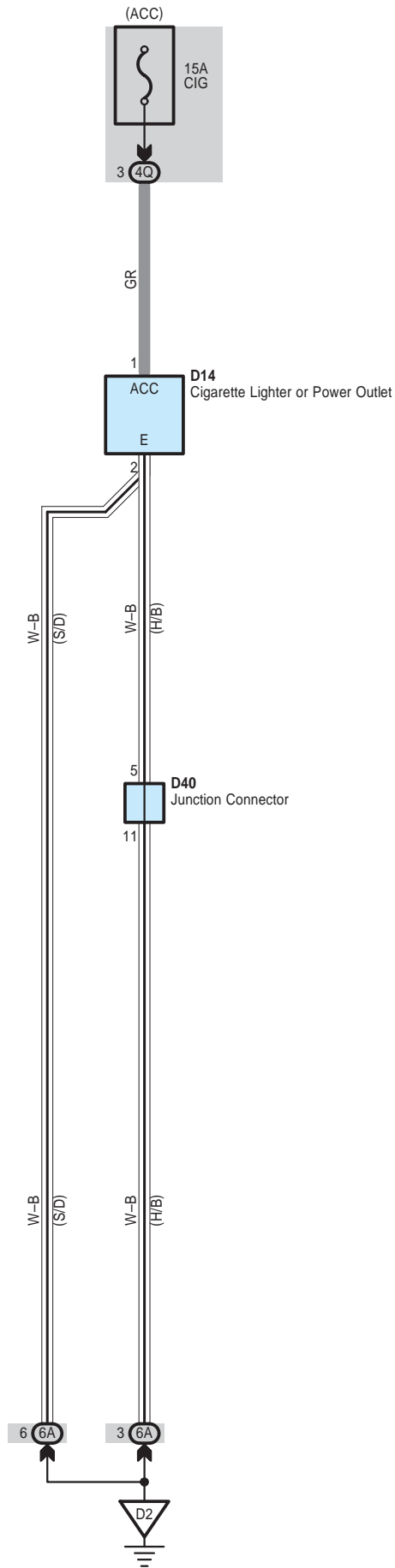
 : **Connector Joining Wire Harness and Wire Harness**

Code	See Page	Joining Wire Harness and Wire Harness (Connector Location)
FD1	62 (H/B)	Front Door RH Wire and Instrument Panel Wire (Right Kick Panel)
	63 (S/D)	
GD1	62 (H/B)	Front Door LH Wire and Instrument Panel Wire (Left Kick Panel)
	63 (S/D)	

 : **Ground Points**

Code	See Page	Ground Points Location
D1	62 (H/B)	Left Kick Panel
	63 (S/D)	

Cigarette Lighter / Power Outlet



 : **Parts Location**

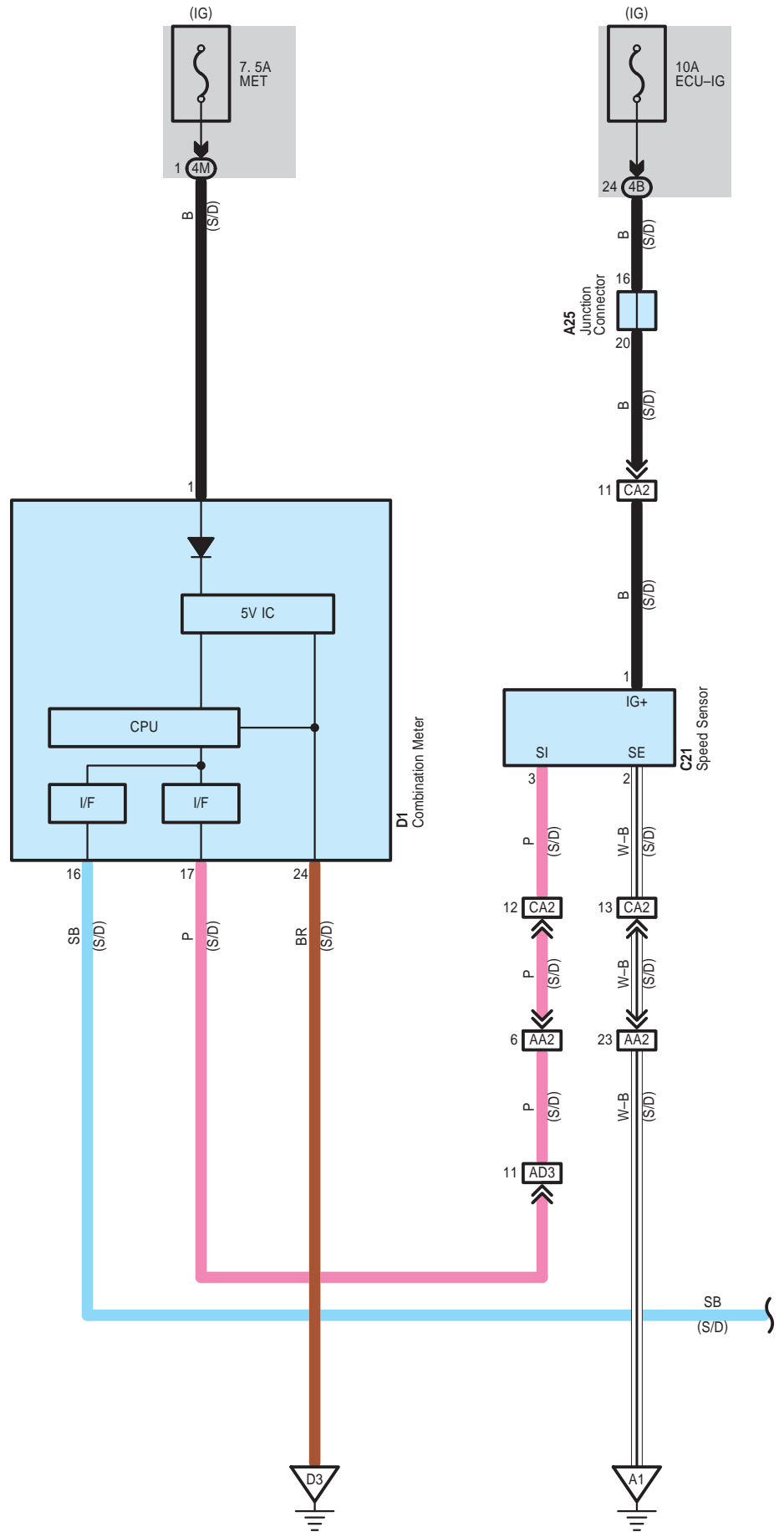
Code	See Page	Code	See Page	Code	See Page
D14	51 (H/B)	D14	53 (S/D)	D40	51 (H/B)

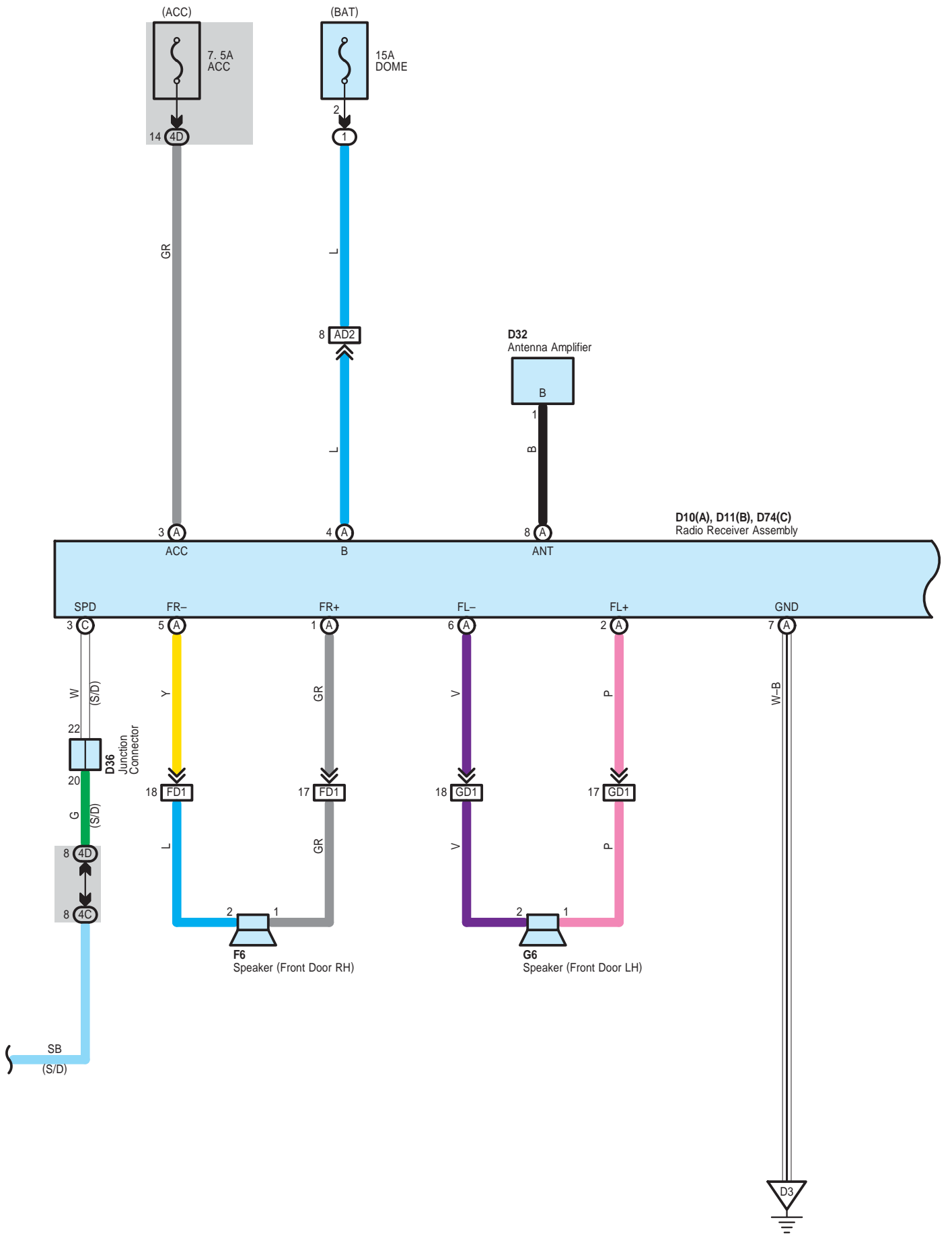
 : **Junction Block and Wire Harness Connector**

Code	See Page	Junction Block and Wire Harness (Connector Location)
4Q	31	Instrument Panel Wire and Instrument Panel J/B (Lower Finish Panel)
6A	40	Instrument Panel Wire and J/B No.6 (Right Kick Panel)

 : **Ground Points**

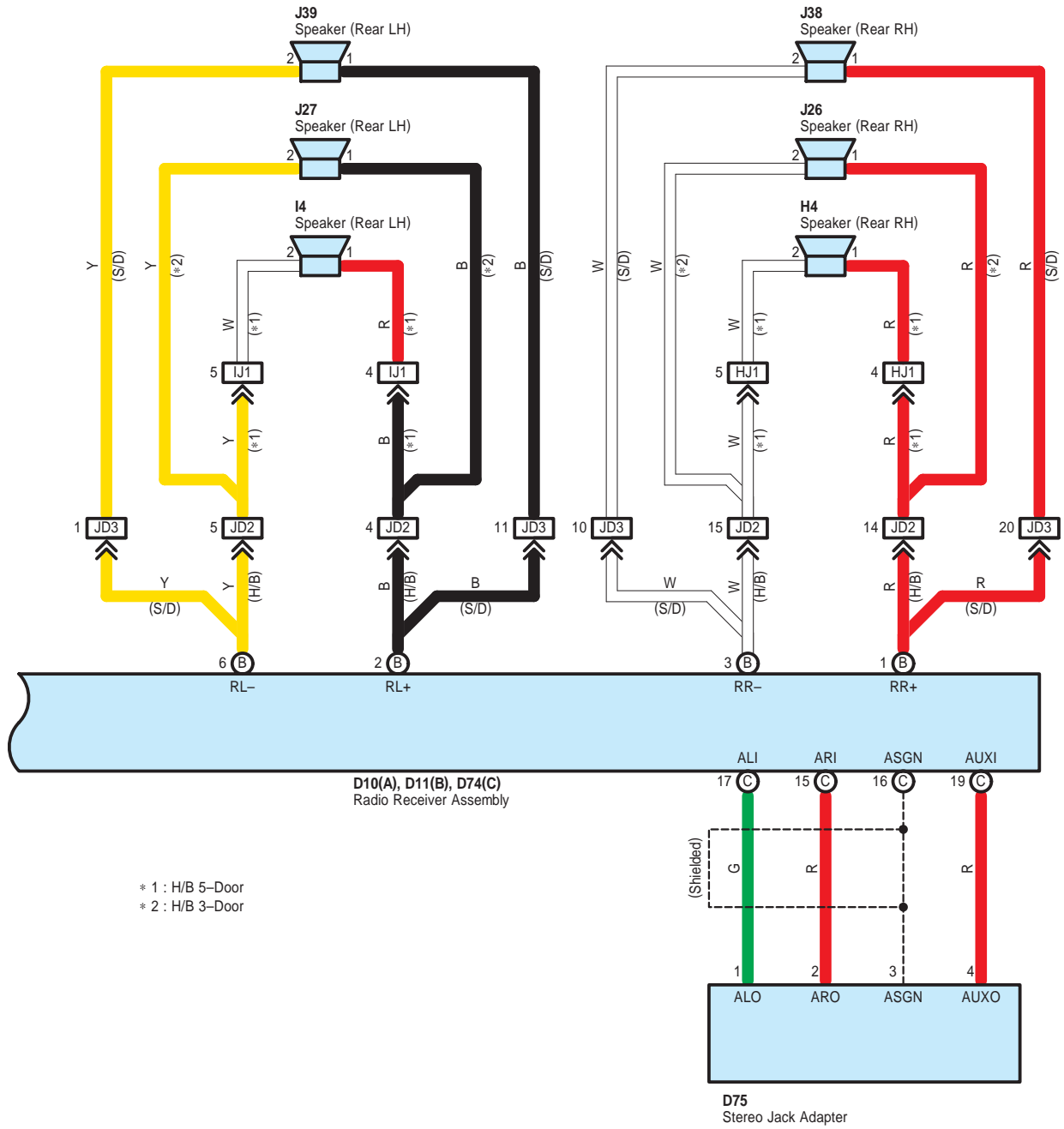
Code	See Page	Ground Points Location
D2	62 (H/B)	Right Kick Panel
	63 (S/D)	





YARIS (EM01V0U)

Audio System



 : **Parts Location**

Code	See Page	Code	See Page	Code	See Page
A25	48 (S/D)	D36	53 (S/D)	G6	56 (3-Door)
C21	49 (S/D)	D74	C		51 (H/B)
D1	53 (S/D)			D75	51 (H/B)
D10	A	51 (H/B)	53 (S/D)		I4
			53 (S/D)	J26	57 (3-Door)
D11	B	51 (H/B)	F6	J27	57 (3-Door)
		53 (S/D)		J38	59 (4-Door)
D32	51 (H/B)	G6	58 (4-Door)	J39	59 (4-Door)
	53 (S/D)		54 (5-Door)		

 : **Relay Blocks**

Code	See Page	Relay Blocks (Relay Block Location)
1	24	Engine Room R/B (Engine Compartment Left)

 : **Junction Block and Wire Harness Connector**

Code	See Page	Junction Block and Wire Harness (Connector Location)
4B	30	Engine Room Main Wire and Instrument Panel J/B (Lower Finish Panel)
4C	30	Instrument Panel Wire and Instrument Panel J/B (Lower Finish Panel)
4D		
4M	31	

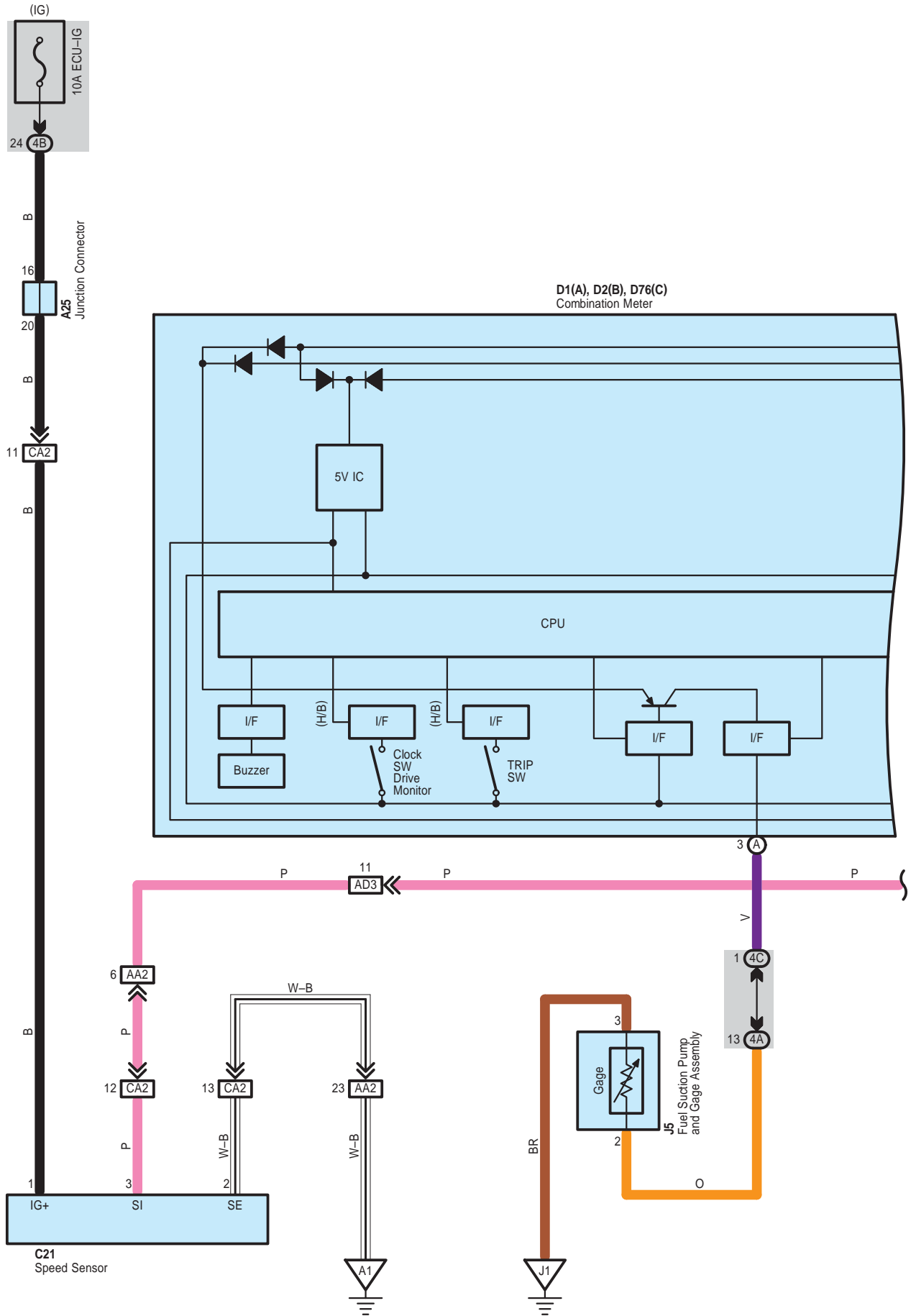
 : **Connector Joining Wire Harness and Wire Harness**

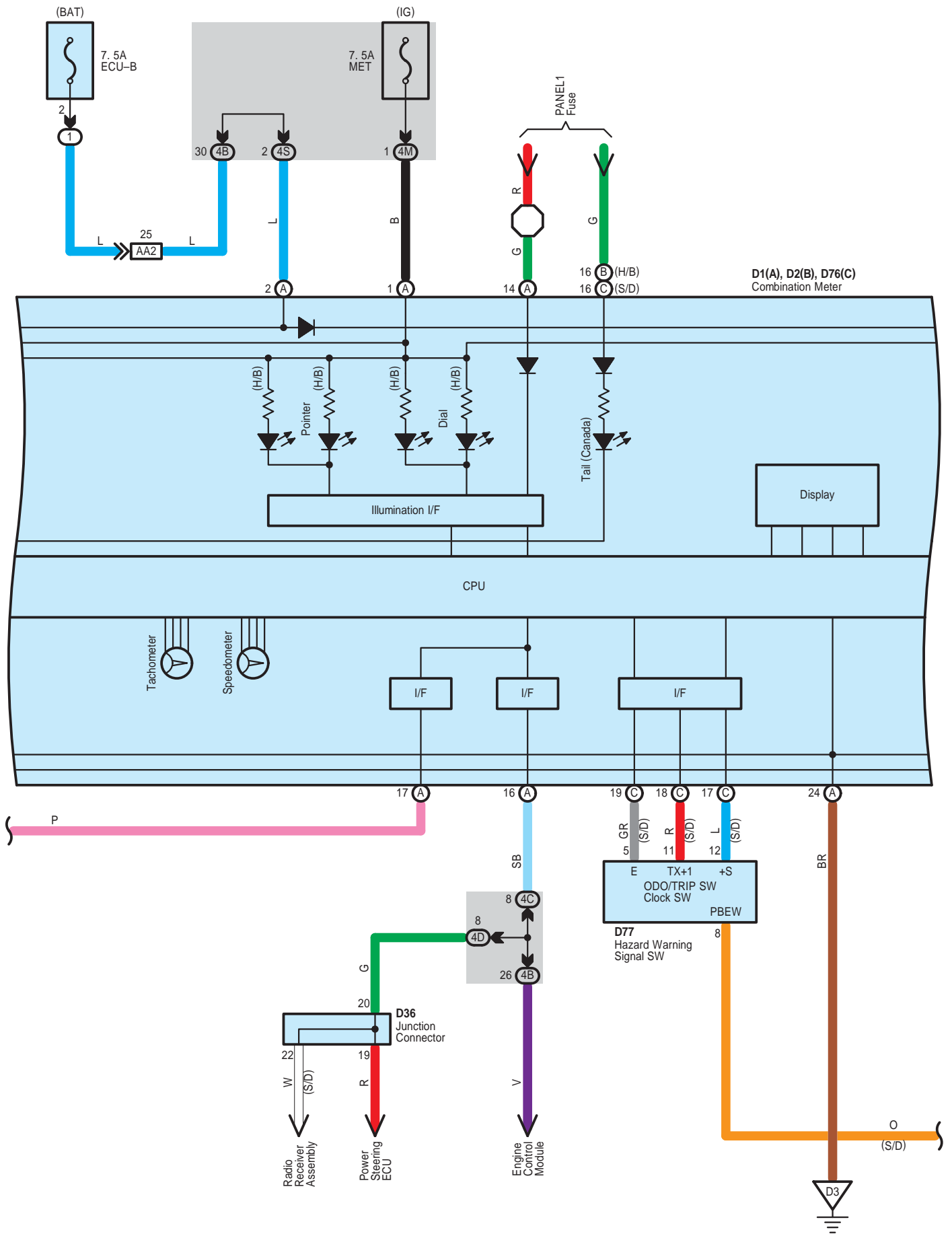
Code	See Page	Joining Wire Harness and Wire Harness (Connector Location)
AA2	63 (S/D)	Engine Room Main Wire and Engine Room Main Wire (Instrument Panel Left)
AD2	62 (H/B)	Engine Room Main Wire and Instrument Panel Wire (Instrument Panel Left)
	63 (S/D)	
AD3	63 (S/D)	
CA2	61 (S/D)	Engine Wire and Engine Room Main Wire (Engine Compartment Left)
FD1	62 (H/B)	Front Door RH Wire and Instrument Panel Wire (Right Kick Panel)
	63 (S/D)	
GD1	62 (H/B)	Front Door LH Wire and Instrument Panel Wire (Left Kick Panel)
	63 (S/D)	
HJ1	64 (5-Door)	Rear Door No.1 Wire and Floor Wire (Right Center Pillar)
IJ1	64 (5-Door)	Rear Door No.2 Wire and Floor Wire (Left Center Pillar)
JD2	62 (H/B)	Floor Wire and Instrument Panel Wire (Instrument Panel Left)
JD3	63 (S/D)	

 : **Ground Points**

Code	See Page	Ground Points Location
A1	61 (S/D)	Left Suspension Tower
D3	62 (H/B)	Instrument Panel Reinforcement Left
	63 (S/D)	

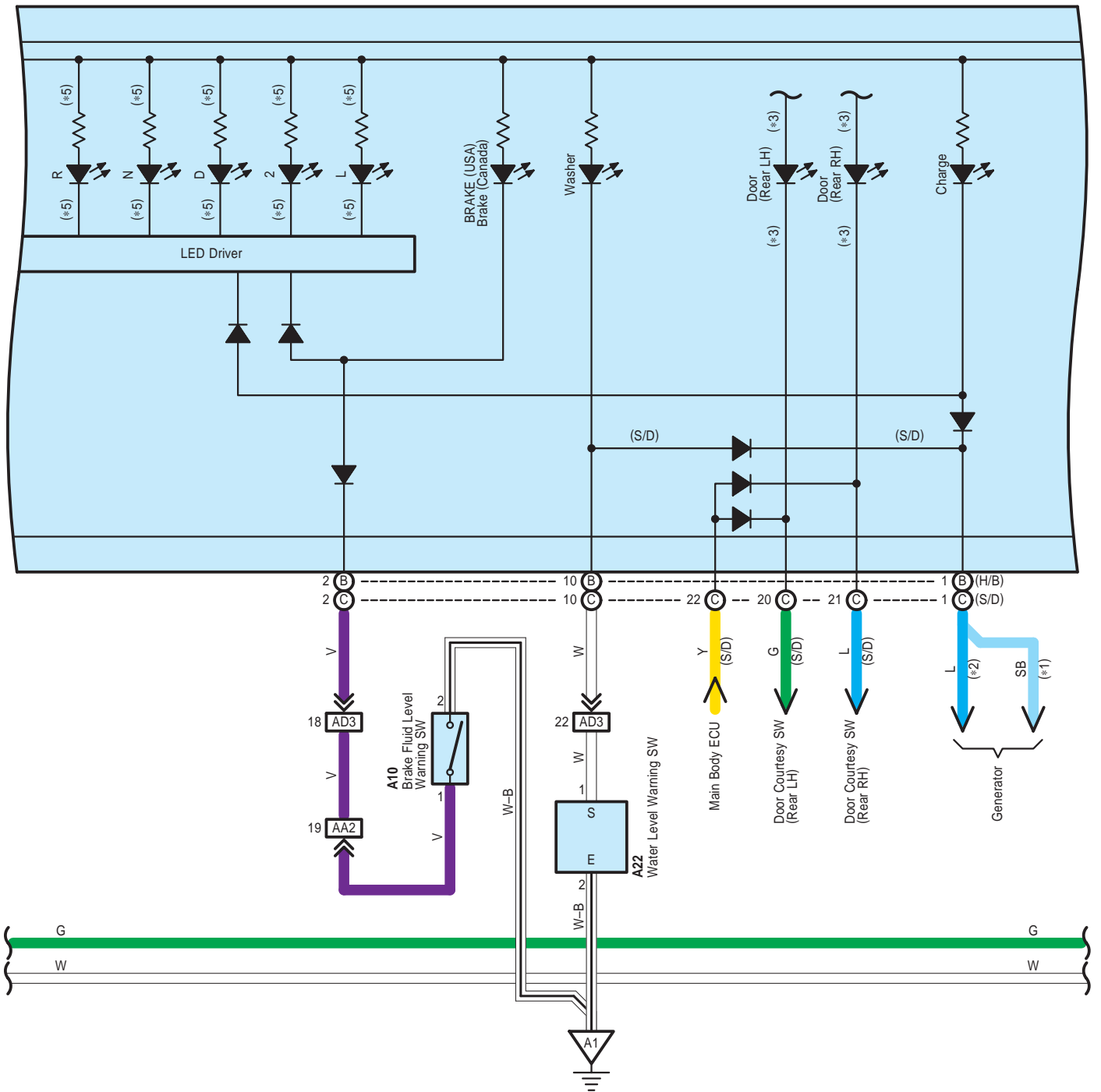
Combination Meter



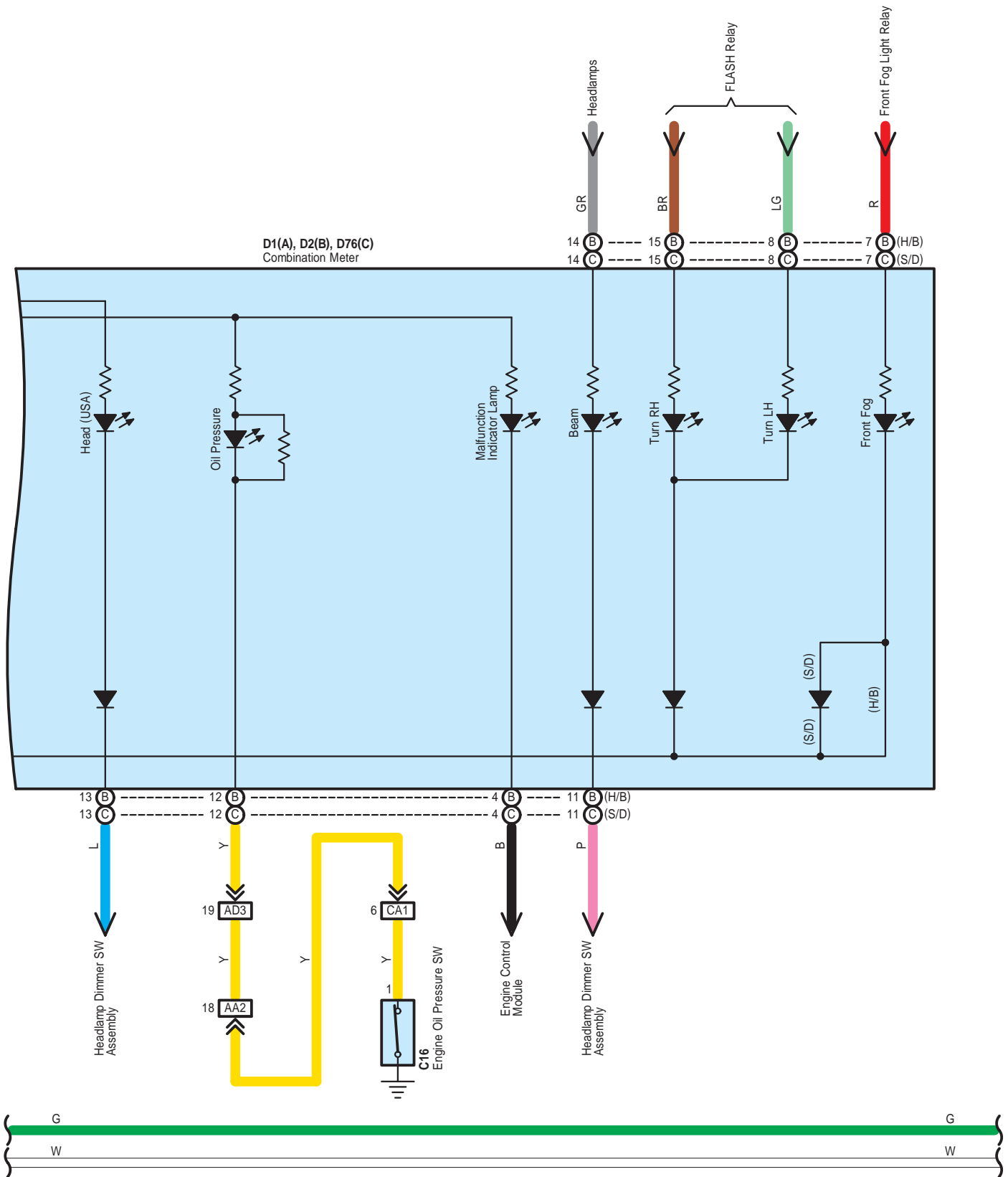


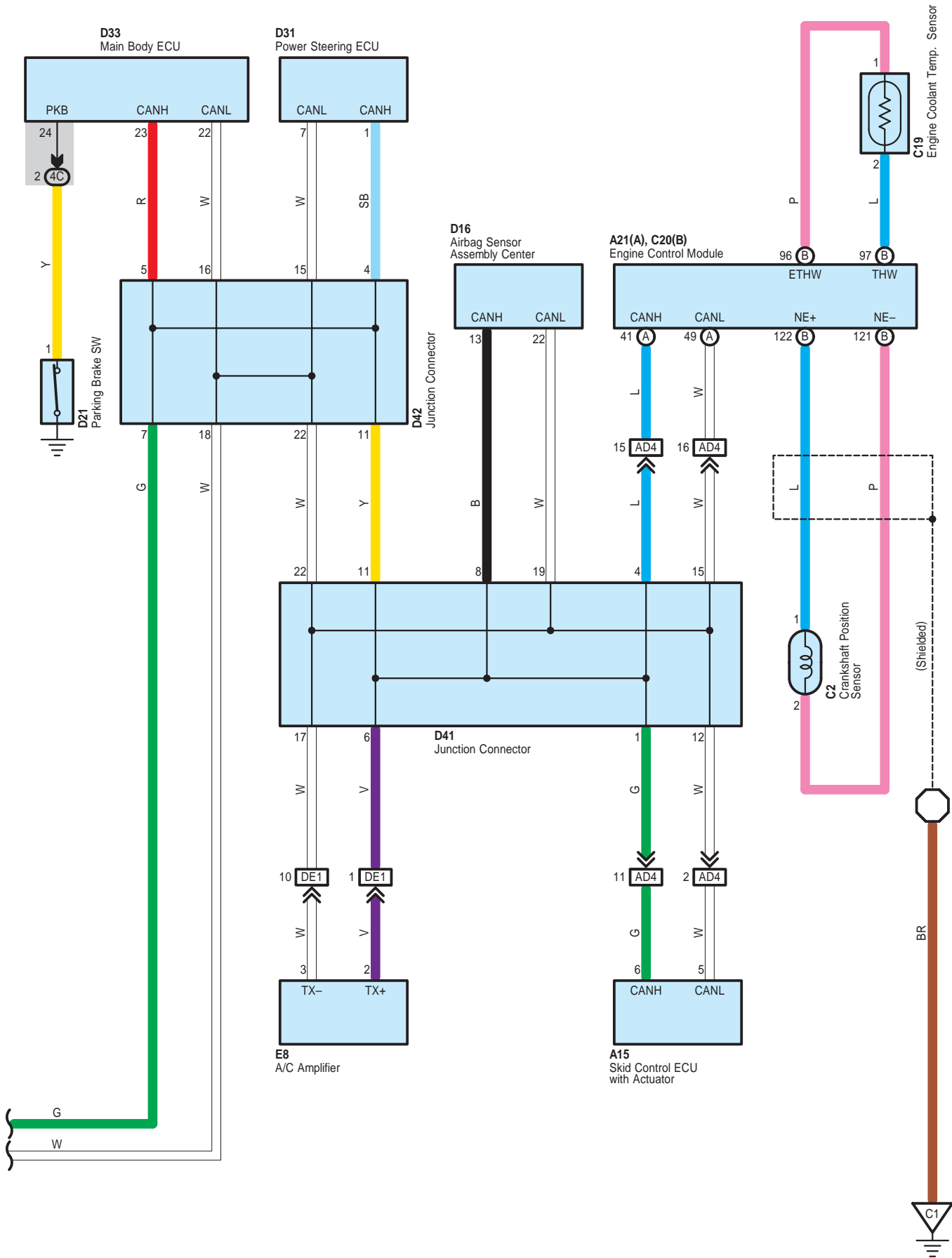
- * 1 : w/ Daytime Running Light
- * 2 : w/o Daytime Running Light
- * 3 : S/D w/ Tachometer
- * 4 : S/D w/o Tachometer, H/B
- * 5 : S/D A/T

D1(A), D2(B), D76(C)
Combination Meter



Combination Meter





Combination Meter

: Parts Location

Code	See Page	Code	See Page	Code	See Page
A10	46 (H/B)	C20	49 (S/D)	D36	51 (H/B)
	48 (S/D)		C21		47 (H/B)
A15	46 (H/B)	D1		A	D38
	48 (S/D)		49 (S/D)		
A21	46 (H/B)	D2	B	D39	B
	48 (S/D)				
A22	46 (H/B)	D16	51 (H/B)	D41	51 (H/B)
	48 (S/D)		53 (S/D)		53 (S/D)
A25	46 (H/B)	D21	51 (H/B)	D42	51 (H/B)
	48 (S/D)		53 (S/D)		53 (S/D)
C2	47 (H/B)	D27	51 (H/B)	D76	C
	49 (S/D)	D29	51 (H/B)	D77	53 (S/D)
C16	47 (H/B)		D31	53 (S/D)	E8
	49 (S/D)	51 (H/B)		52 (S/D)	
C19	47 (H/B)	D33	53 (S/D)	J5	55 (5-Door)
	49 (S/D)		51 (H/B)		57 (3-Door)
C20	47 (H/B)	53 (S/D)	59 (4-Door)		

: Relay Blocks

Code	See Page	Relay Blocks (Relay Block Location)
1	24	Engine Room R/B (Engine Compartment Left)

: Junction Block and Wire Harness Connector

Code	See Page	Junction Block and Wire Harness (Connector Location)
4A	30	Floor Wire and Instrument Panel J/B (Lower Finish Panel)
4B	30	Engine Room Main Wire and Instrument Panel J/B (Lower Finish Panel)
4C	30	Instrument Panel Wire and Instrument Panel J/B (Lower Finish Panel)
4D		
4M	31	
4S		

: Connector Joining Wire Harness and Wire Harness

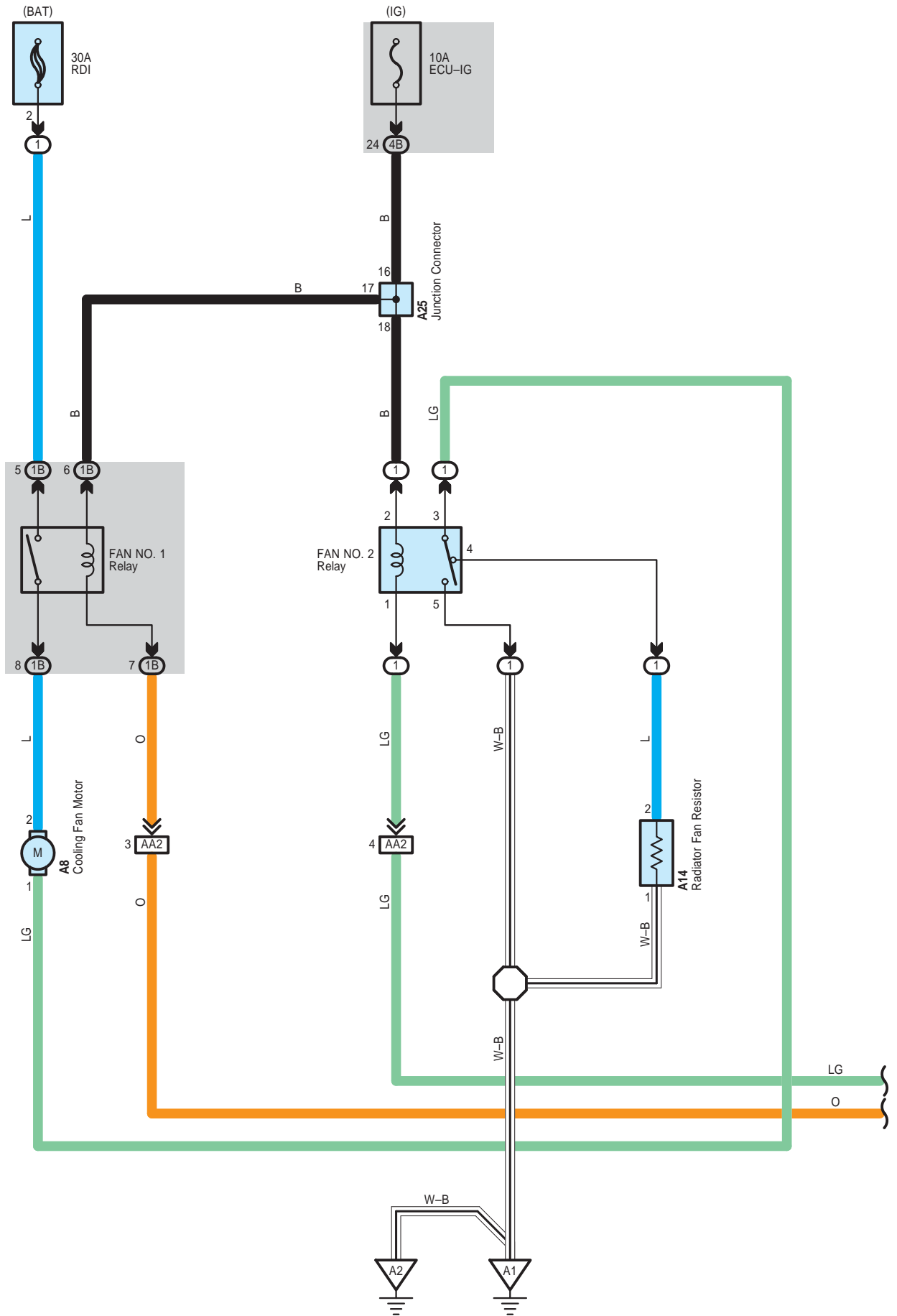
Code	See Page	Joining Wire Harness and Wire Harness (Connector Location)
AA2	62 (H/B)	Engine Room Main Wire and Engine Room Main Wire (Instrument Panel Left)
	63 (S/D)	
AD3	62 (H/B)	Engine Room Main Wire and Instrument Panel Wire (Instrument Panel Left)
	63 (S/D)	
AD4	62 (H/B)	
	63 (S/D)	
CA1	60 (H/B)	Engine Wire and Engine Room Main Wire (Engine Compartment Left)
	61 (S/D)	
CA2	60 (H/B)	
	61 (S/D)	
DE1	62 (H/B)	Instrument Panel Wire and Instrument Panel No.2 Wire (Instrument Panel Center)
	63 (S/D)	

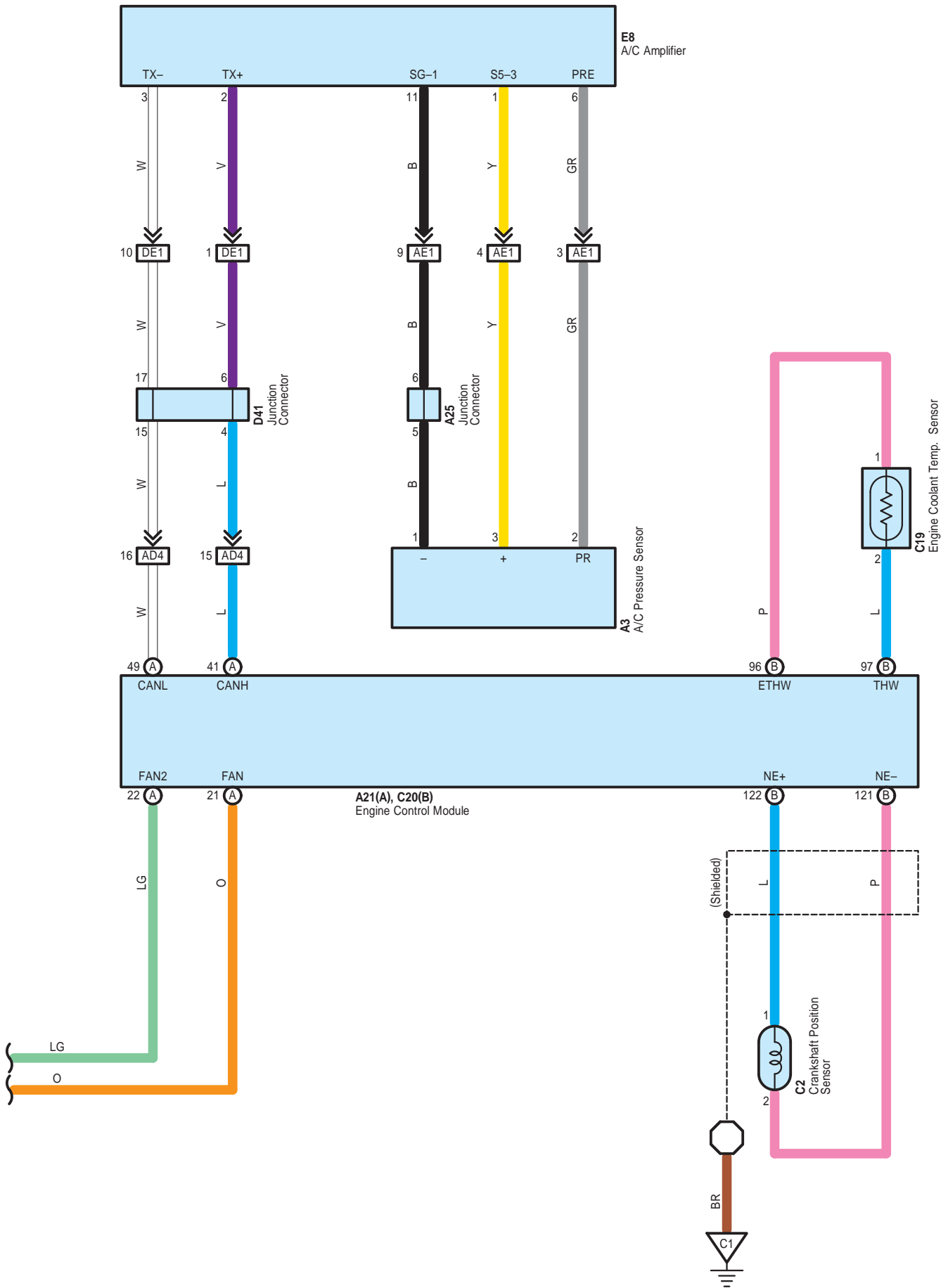


: Ground Points

Code	See Page	Ground Points Location
A1	60 (H/B)	Left Suspension Tower
	61 (S/D)	
C1	60 (H/B)	Engine Block Left
	61 (S/D)	
D3	62 (H/B)	Instrument Panel Reinforcement Left
	63 (S/D)	
J1	64 (5-Door)	Right Rear Quarter Panel
	65 (3-Door)	
	66 (4-Door)	Lower Back Panel Right

Cooling Fan





YARIS (EM01V0U)

Cooling Fan

○ : Parts Location

Code	See Page	Code	See Page	Code	See Page		
A3	46 (H/B)	A21	A	48 (S/D)	C20	B	47 (H/B)
	48 (S/D)						49 (S/D)
A8	46 (H/B)	A25		46 (H/B)	D41		51 (H/B)
	48 (S/D)						48 (S/D)
A14	46 (H/B)	C2		47 (H/B)	E8		50 (H/B)
	48 (S/D)						49 (S/D)
A21	A	C19		47 (H/B)			
				49 (S/D)			

○ : Relay Blocks

Code	See Page	Relay Blocks (Relay Block Location)
1	24	Engine Room R/B (Engine Compartment Left)

○ : Junction Block and Wire Harness Connector

Code	See Page	Junction Block and Wire Harness (Connector Location)
1B	25	Engine Room Main Wire and Engine Room J/B (Engine Compartment Left)
4B	30	Engine Room Main Wire and Instrument Panel J/B (Lower Finish Panel)

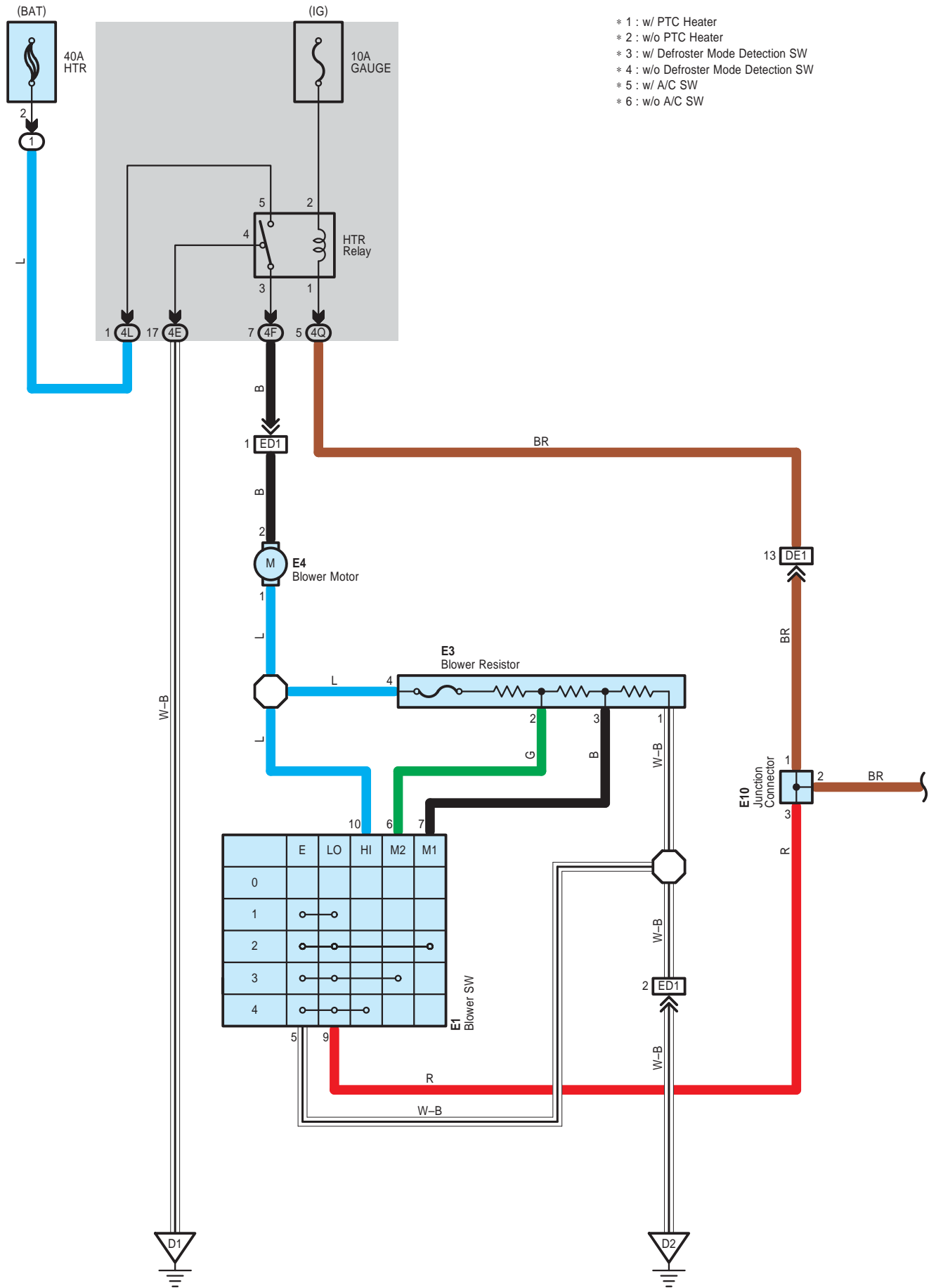
□ : Connector Joining Wire Harness and Wire Harness

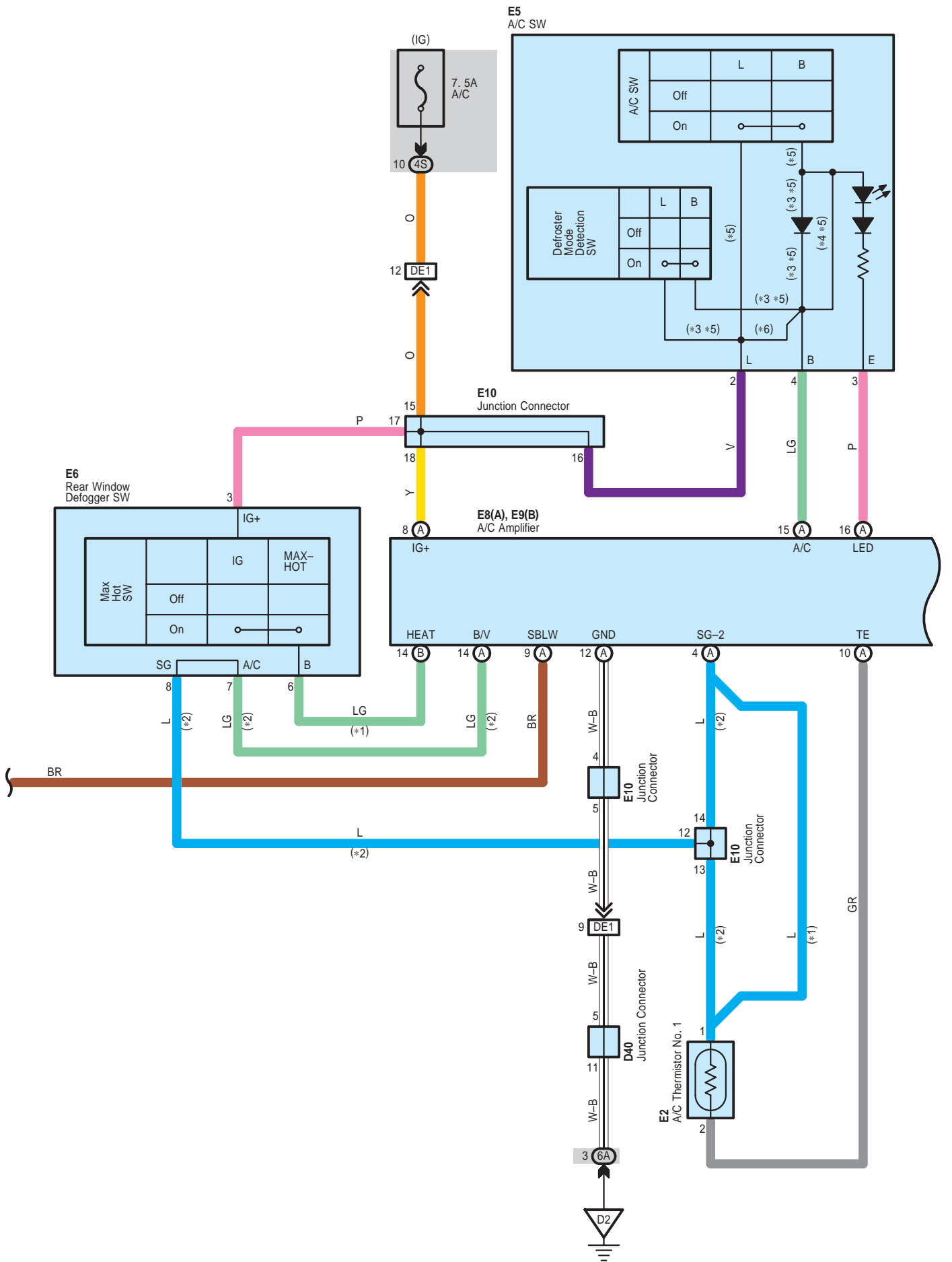
Code	See Page	Joining Wire Harness and Wire Harness (Connector Location)
AA2	62 (H/B)	Engine Room Main Wire and Engine Room Main Wire (Instrument Panel Left)
	63 (S/D)	
AD4	62 (H/B)	Engine Room Main Wire and Instrument Panel Wire (Instrument Panel Left)
	63 (S/D)	
AE1	62 (H/B)	Engine Room Main Wire and Instrument Panel No.2 Wire (Instrument Panel Left)
	63 (S/D)	
DE1	62 (H/B)	Instrument Panel Wire and Instrument Panel No.2 Wire (Instrument Panel Center)
	63 (S/D)	

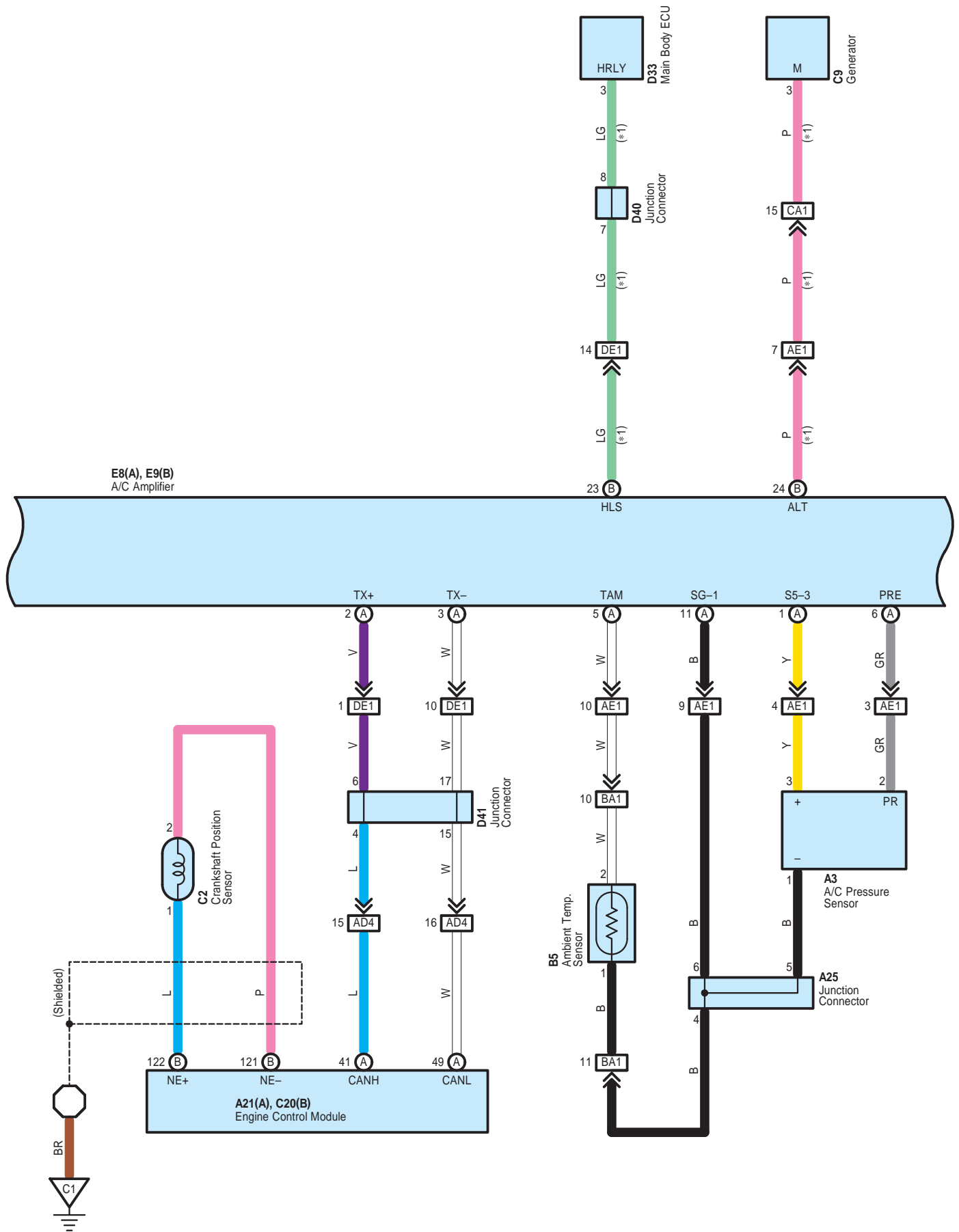
▽ : Ground Points

Code	See Page	Ground Points Location
A1	60 (H/B)	Left Suspension Tower
	61 (S/D)	
A2	60 (H/B)	
	61 (S/D)	
C1	60 (H/B)	Engine Block Left
	61 (S/D)	

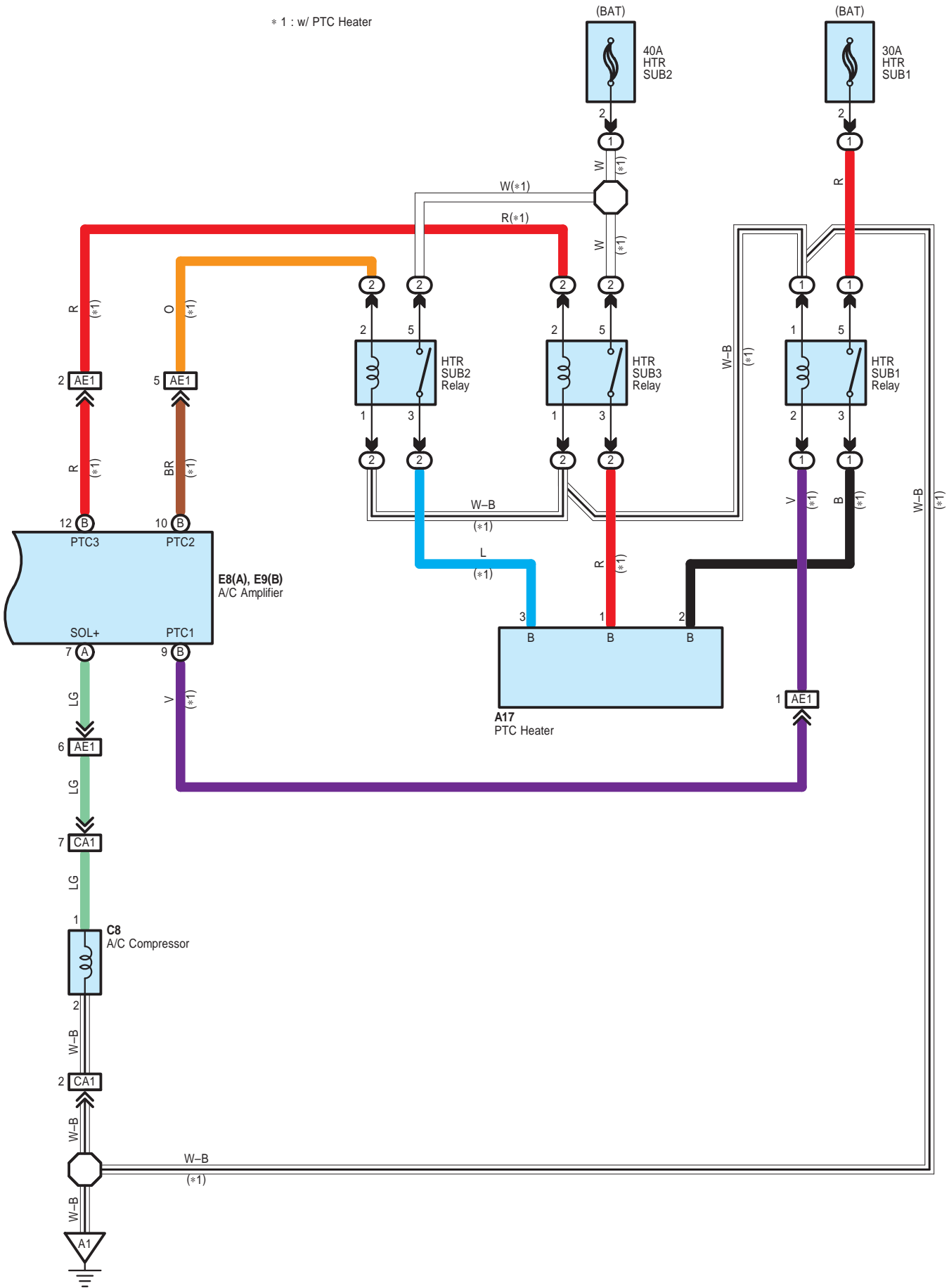
Air Conditioning







* 1 : w/ PTC Heater



Air Conditioning

○ : Parts Location

Code	See Page	Code	See Page	Code	See Page
A3	46 (H/B)	C9	47 (H/B)	E3	50 (H/B)
	48 (S/D)		49 (S/D)		52 (S/D)
A17	50 (H/B)	C20	B	E4	50 (H/B)
	52 (S/D)				47 (H/B)
A21	A	D33	51 (H/B)	E5	50 (H/B)
			48 (S/D)		49 (S/D)
A25	46 (H/B)	D40	51 (H/B)	E6	50 (H/B)
	48 (S/D)		53 (S/D)		52 (S/D)
B5	46 (H/B)	D41	51 (H/B)	E8	A
	48 (S/D)		53 (S/D)		
C2	47 (H/B)	E1	50 (H/B)	E9	B
	49 (S/D)		52 (S/D)		
C8	47 (H/B)	E2	50 (H/B)	E10	50 (H/B)
	49 (S/D)		52 (S/D)		52 (S/D)

○ : Relay Blocks

Code	See Page	Relay Blocks (Relay Block Location)
1	24	Engine Room R/B (Engine Compartment Left)
2	28	Engine Room R/B No.2 (Engine Compartment Right)

○ : Junction Block and Wire Harness Connector

Code	See Page	Junction Block and Wire Harness (Connector Location)
4E	30	Instrument Panel Wire and Instrument Panel J/B (Lower Finish Panel)
4F		
4L	30	Engine Room Main Wire and Instrument Panel J/B (Lower Finish Panel)
4Q	31	Instrument Panel Wire and Instrument Panel J/B (Lower Finish Panel)
4S		
6A	40	Instrument Panel Wire and J/B No.6 (Right Kick Panel)

□ : Connector Joining Wire Harness and Wire Harness

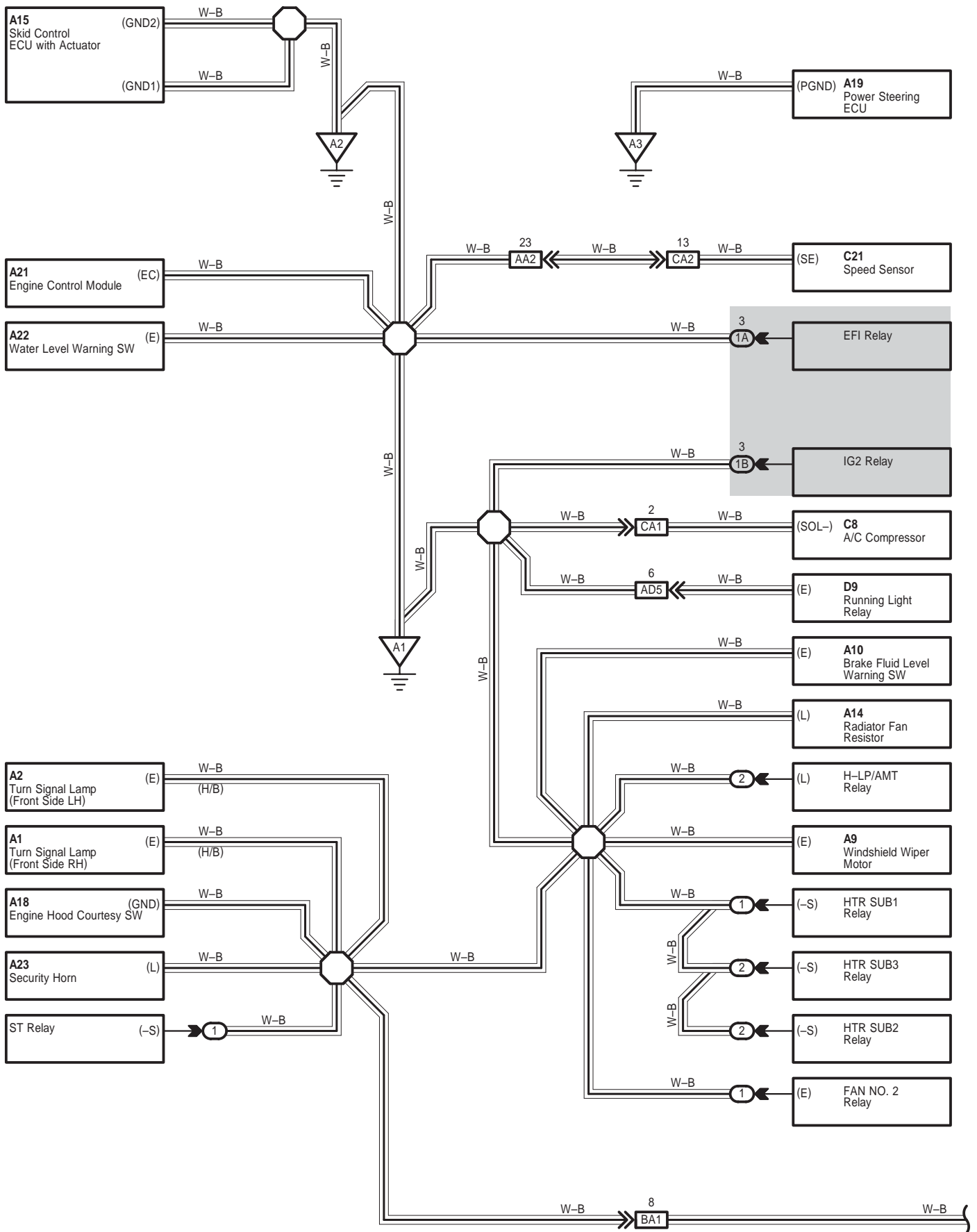
Code	See Page	Joining Wire Harness and Wire Harness (Connector Location)
AD4	62 (H/B)	Engine Room Main Wire and Instrument Panel Wire (Instrument Panel Left)
	63 (S/D)	
AE1	62 (H/B)	Engine Room Main Wire and Instrument Panel No.2 Wire (Instrument Panel Left)
	63 (S/D)	
BA1	60 (H/B)	Engine Room No.2 Wire and Engine Room Main Wire (Engine Compartment Left)
	61 (S/D)	
CA1	60 (H/B)	Engine Wire and Engine Room Main Wire (Engine Compartment Left)
	61 (S/D)	
DE1	62 (H/B)	Instrument Panel Wire and Instrument Panel No.2 Wire (Instrument Panel Center)
	63 (S/D)	
ED1	62 (H/B)	Instrument Panel No.2 Wire and Instrument Panel Wire (Instrument Panel Left)
	63 (S/D)	

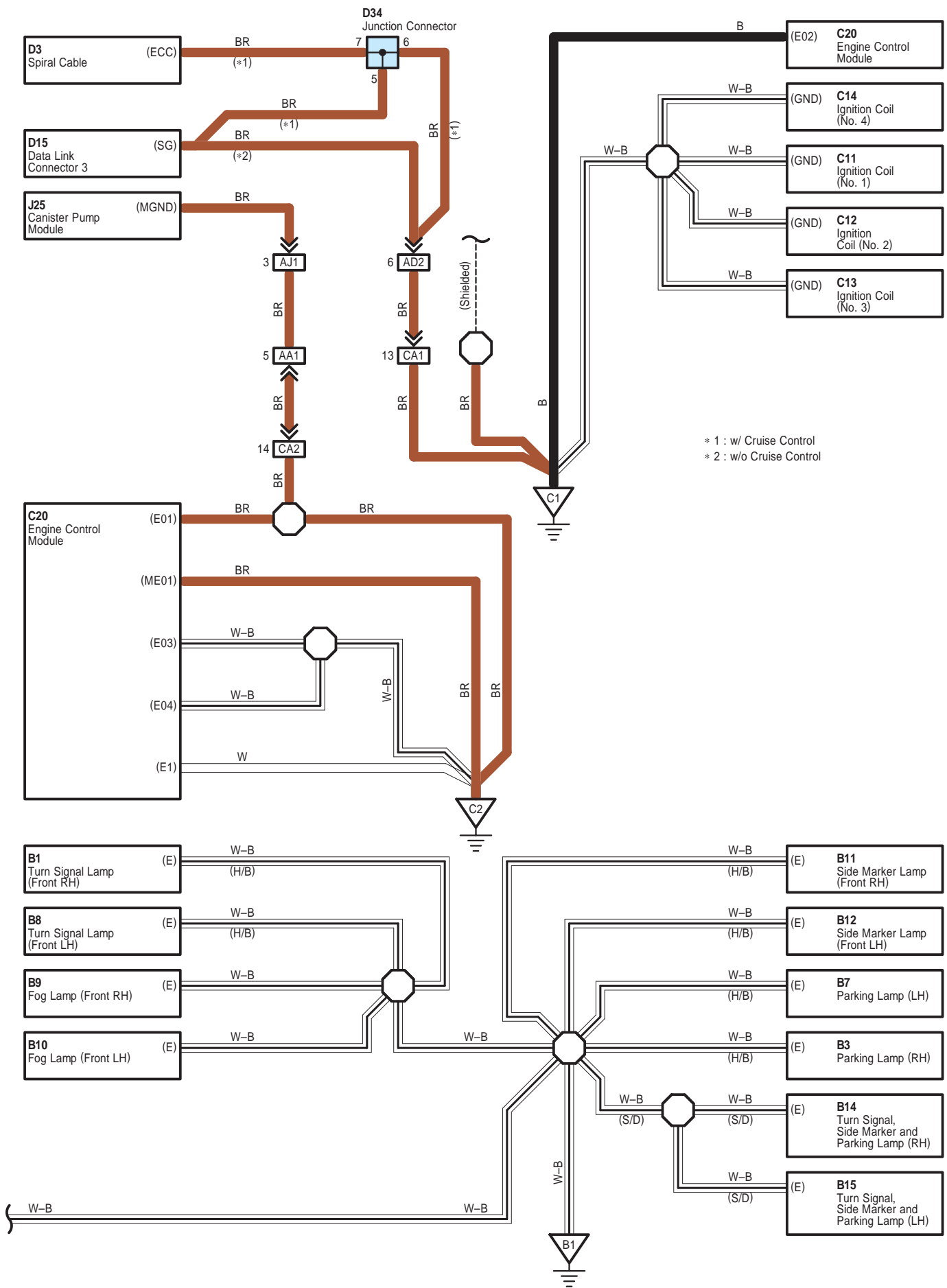


: Ground Points

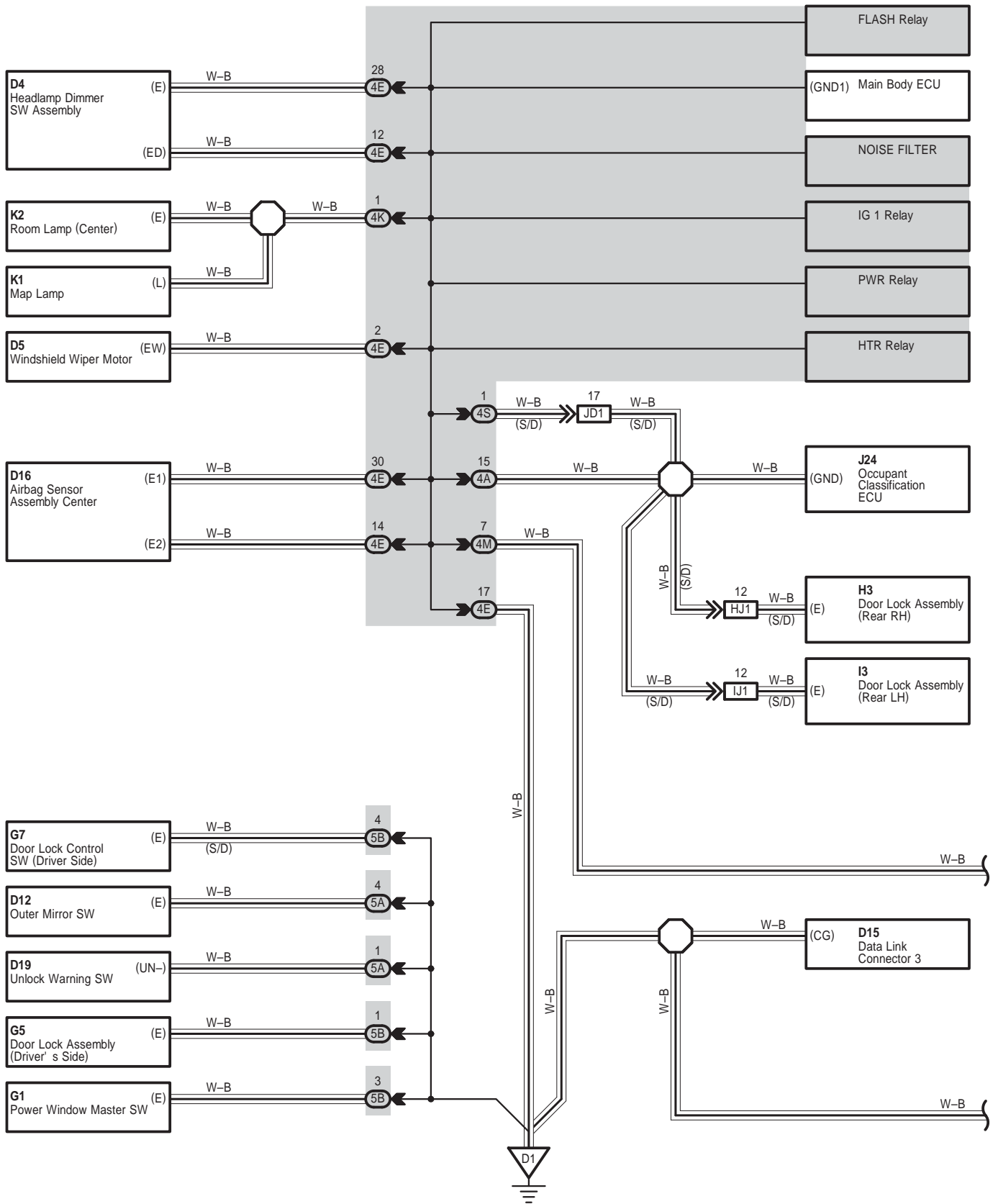
Code	See Page	Ground Points Location
A1	60 (H/B)	Left Suspension Tower
	61 (S/D)	
C1	60 (H/B)	Engine Block Left
	61 (S/D)	
D1	62 (H/B)	Left Kick Panel
	63 (S/D)	
D2	62 (H/B)	Right Kick Panel
	63 (S/D)	

I GROUND POINT

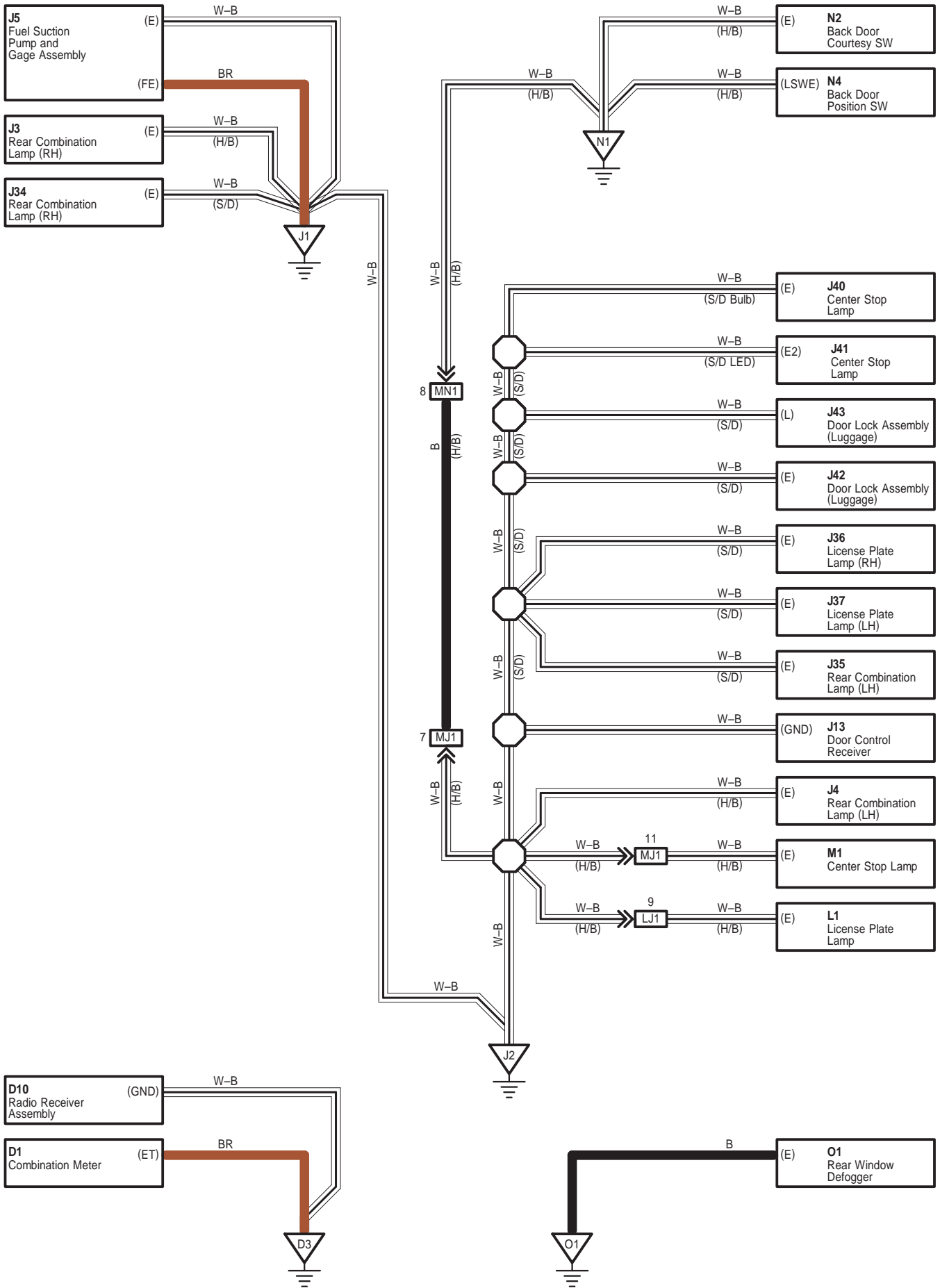




I GROUND POINT



I GROUND POINT



: Parts Location

Code	See Page	Code	See Page	Code	See Page
D34	53 (S/D)	D40	53 (S/D)	E10	52 (S/D)
D40	51 (H/B)	E10	50 (H/B)		

: Relay Blocks

Code	See Page	Relay Blocks (Relay Block Location)
1	24	Engine Room R/B (Engine Compartment Left)
2	28	Engine Room R/B No.2 (Engine Compartment Right)

: Junction Block and Wire Harness Connector

Code	See Page	Junction Block and Wire Harness (Connector Location)
1A	25	Engine Room Main Wire and Engine Room J/B (Engine Compartment Left)
1B		
4A	30	Floor Wire and Instrument Panel J/B (Lower Finish Panel)
4E	30	Instrument Panel Wire and Instrument Panel J/B (Lower Finish Panel)
4K	30	Roof Wire and Instrument Panel J/B (Lower Finish Panel)
4M	31	Instrument Panel Wire and Instrument Panel J/B (Lower Finish Panel)
4S		
5A	38	Instrument Panel Wire and J/B No.5 (Left Kick Panel)
5B	38	Front Door LH Wire and J/B No.5 (Left Kick Panel)
6A	40	Instrument Panel Wire and J/B No.6 (Right Kick Panel)
6B	40	Front Door RH Wire and J/B No.6 (Right Kick Panel)

I GROUND POINT

: Connector Joining Wire Harness and Wire Harness

Code	See Page	Joining Wire Harness and Wire Harness (Connector Location)
AA1	62 (H/B)	Engine Room Main Wire and Engine Room Main Wire (Instrument Panel Left)
	63 (S/D)	
AA2	62 (H/B)	
	63 (S/D)	
AD2	62 (H/B)	Engine Room Main Wire and Instrument Panel Wire (Instrument Panel Left)
	63 (S/D)	
AD5	62 (H/B)	
	63 (S/D)	
AJ1	62 (H/B)	Engine Room Main Wire and Floor Wire (Instrument Panel Left)
	63 (S/D)	
BA1	60 (H/B)	Engine Room No.2 Wire and Engine Room Main Wire (Engine Compartment Left)
	61 (S/D)	
CA1	60 (H/B)	Engine Wire and Engine Room Main Wire (Engine Compartment Left)
	61 (S/D)	
CA2	60 (H/B)	
	61 (S/D)	
DE1	62 (H/B)	Instrument Panel Wire and Instrument Panel No.2 Wire (Instrument Panel Center)
	63 (S/D)	
ED1	62 (H/B)	Instrument Panel No.2 Wire and Instrument Panel Wire (Instrument Panel Left)
	63 (S/D)	
HJ1	66 (4-Door)	Rear Door No.1 Wire and Floor Wire (Right Center Pillar)
IJ1	66 (4-Door)	Rear Door No.2 Wire and Floor Wire (Left Center Pillar)
JD1	63 (S/D)	Floor Wire and Instrument Panel Wire (Instrument Panel Left)
LJ1	64 (5-Door)	Luggage Room No.2 Wire and Floor Wire (Luggage Room Left)
	65 (3-Door)	
MJ1	64 (5-Door)	Back Door No.1 Wire and Floor Wire (Left Rear Quarter Panel)
	65 (3-Door)	
MN1	64 (5-Door)	Back Door No.1 Wire and Back Door No.2 Wire (Back Door Panel Center)
	65 (3-Door)	

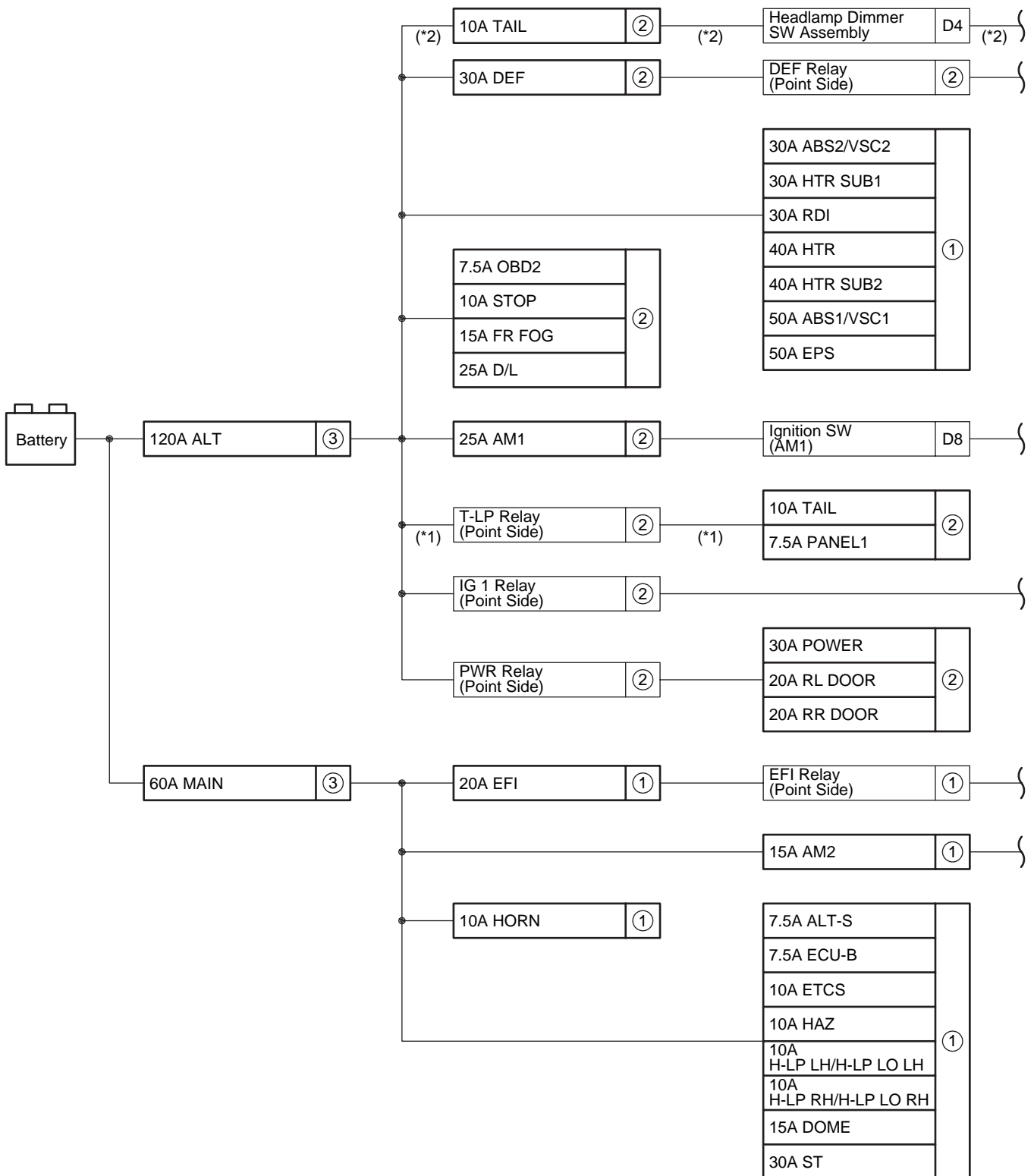


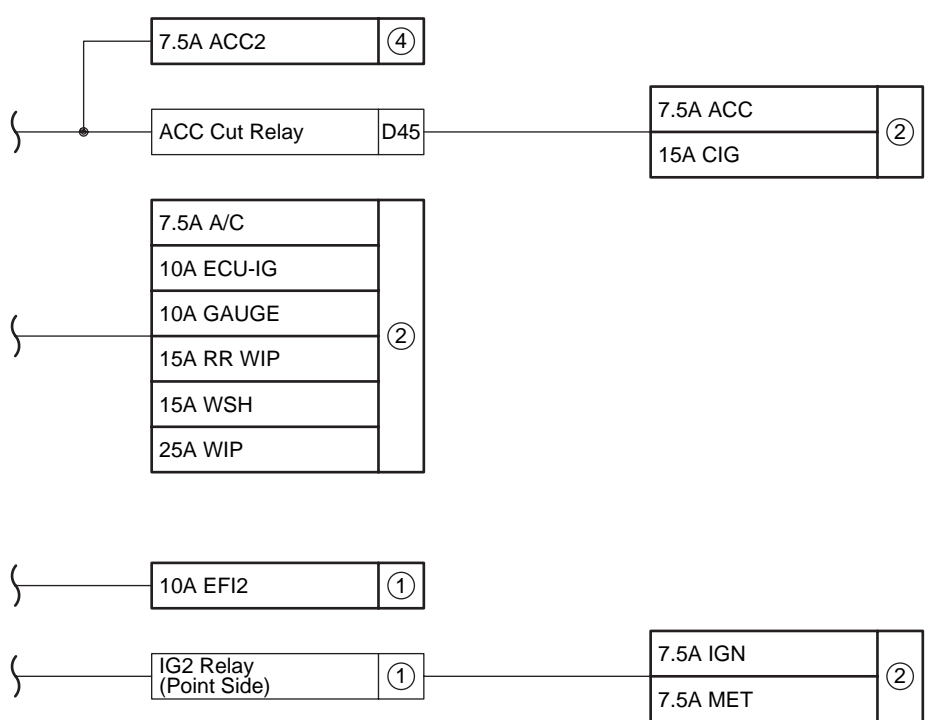
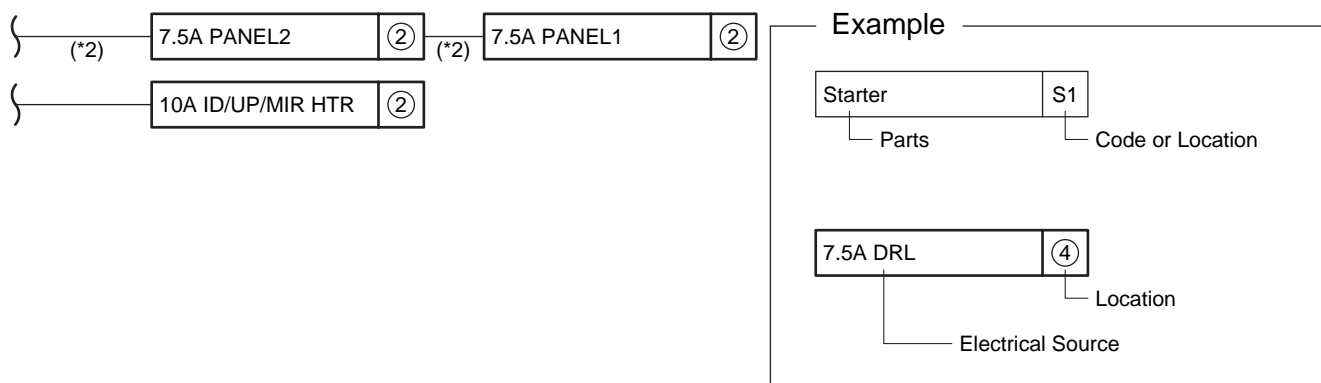
: Ground Points

Code	See Page	Ground Points Location
A1	60 (H/B)	Left Suspension Tower
	61 (S/D)	
A2	60 (H/B)	
	61 (S/D)	
A3	62 (H/B)	Left Cowl Top Side Panel
	63 (S/D)	
B1	60 (H/B)	Radiator Support Left
	61 (S/D)	
C1	60 (H/B)	Engine Block Left
	61 (S/D)	
C2	60 (H/B)	
	61 (S/D)	
D1	62 (H/B)	Left Kick Panel
	63 (S/D)	
D2	62 (H/B)	Right Kick Panel
	63 (S/D)	
D3	62 (H/B)	Instrument Panel Reinforcement Left
	63 (S/D)	
J1	64 (5-Door)	Right Rear Quarter Panel
	65 (3-Door)	Lower Back Panel Right
	66 (4-Door)	
J2	64 (5-Door)	Left Rear Quarter Panel
	65 (3-Door)	Lower Back Panel Left
	66 (4-Door)	
N1	64 (5-Door)	Back Door Panel Center
	65 (3-Door)	
O1	64 (5-Door)	Back Door Panel Left
	65 (3-Door)	Right Rear Quarter Panel
	66 (4-Door)	

J POWER SOURCE (Current Flow Chart)

The chart below shows the route by which current flows from the battery to each electrical source (Fusible Link, Circuit Breaker, Fuse, etc.) and other Parts.





* 1:H/B, S/D *3
 * 2:Except *1
 * 3: Cold Area Spec ., w/ Engine Immobiliser System, w/ ABS, w/ Rear Window Defogger, w/ Door Lock Control, w/ Daytime Running Light, w/ Remote Control Mirror, w/ Air Conditioning

[LOCATION]

- ① : Engine Room R/B and Engine Room J/B (See Page 24)
- ② : Instrument Panel J/B (See Page 30)
- ③ : Fusible Link Block (See Page 42)
- ④ : Fuse Block (See Page 45)

J POWER SOURCE (Current Flow Chart)

Engine Room R/B and Engine Room J/B (See Page 24)

Fuse		System	Page
7.5A	ALT-S	Charging	78
7.5A	ECU-B	Combination Meter	226
		Cruise Control	102
		Door Lock Control	184
		Electronically Controlled Transmission and A/T Indicator	96
		Engine Control	84
		Engine Immobiliser System	110
		Headlight	120
		Interior Light	128
		Key Reminder and Light Reminder	150
		Power Window	178
		Seat Belt Warning	168
		SRS	159
Theft Deterrent	200		
Wireless Door Lock Control	192		
10A	EFI2	Engine Control	84
10A	ETCS	Engine Control	84
10A	HAZ	Turn Signal and Hazard Warning Light	124
10A	H-LP LH/H-LP LO LH	Headlight	120
		Theft Deterrent	200
10A	H-LP RH/H-LP LO RH	Headlight	120
10A	HORN	Horn	144
		Theft Deterrent	200
15A	AM2	Engine Control	84
		Ignition	80
		Starting	74
15A	DOME	Audio System	222
		Engine Control	84
		Interior Light	128
		Theft Deterrent	200
		Wireless Door Lock Control	192
20A	EFI	Cruise Control	102
		Electronically Controlled Transmission and A/T Indicator	96
		Engine Control	84
30A	ABS2/VSC2	ABS	154
30A	HTR SUB1	Air Conditioning	238
30A	RDI	Cooling Fan	234
30A	ST	Starting	74
40A	HTR	Air Conditioning	238
40A	HTR SUB2	Air Conditioning	238
50A	ABS1/VSC1	ABS	154

* These are the page numbers of the first page on which the related system is shown.

Fuse		System	Page
50A	EPS	EPS	174

Instrument Panel J/B (See Page 30)

Fuse		System	Page
7.5A	A/C	Air Conditioning	238
		Rear Window Defogger	216
7.5A	ACC	Audio System	222
		Door Lock Control	184
		Interior Light	128
		Remote Control Mirror	218
		Theft Deterrent	200
		Wireless Door Lock Control	192
7.5A	IGN	Cruise Control	102
		Electronically Controlled Transmission and A/T Indicator	96
		Engine Control	84
		Engine Immobiliser System	110
		Seat Belt Warning	168
		SRS	159
7.5A	MET	ABS	154
		Audio System	222
		Charging	78
		Combination Meter	226
		Cruise Control	102
		Electronically Controlled Transmission and A/T Indicator	96
		Engine Control	84
		EPS	174
		Interior Light	128
		Key Reminder and Light Reminder	150
		Seat Belt Warning	168
		SRS	159
Taillight and Illumination	134		
7.5A	OBD2	Data Link Connector 3	112
7.5A	PANEL1	Key Reminder and Light Reminder	150
		Taillight and Illumination	134
7.5A	PANEL2	Key Reminder and Light Reminder	150
		Taillight and Illumination	134
10A	ECU-IG	ABS	154
		Audio System	222
		Combination Meter	226
		Cooling Fan	234
		Cruise Control	102
		Door Lock Control	184
		Electronically Controlled Transmission and A/T Indicator	96
		Engine Control	84

* These are the page numbers of the first page on which the related system is shown.

J POWER SOURCE (Current Flow Chart)

Fuse		System	Page
10A	ECU-IG	EPS	174
		Headlight	120
		Power Window	178
		Theft Deterrent	200
		Wireless Door Lock Control	192
10A	GAUGE	Air Conditioning	238
		Back-Up Light	140
		Charging	78
		Cruise Control	102
		Electronically Controlled Transmission and A/T Indicator	96
		Rear Window Defogger	216
		Seat Belt Warning	168
		Shift Lock	214
		SRS	159
		Taillight and Illumination	134
Turn Signal and Hazard Warning Light	124		
10A	ID/UP/MIR HTR	Engine Control	84
10A	STOP	ABS	154
		Cruise Control	102
		Electronically Controlled Transmission and A/T Indicator	96
		Engine Control	84
		Shift Lock	214
		Stop Light	142
10A	TAIL	Engine Control	84
		Key Reminder and Light Reminder	150
		Taillight and Illumination	134
15A	CIG	Cigarette Lighter/Power Outlet	220
15A	FR FOG	Front Fog Light	146
		Headlight	120
15A	RR WIP	Rear Wiper and Washer	212
15A	WSH	Front Wiper and Washer	208
		Rear Wiper and Washer	212
20A	RL DOOR	Power Window	178
20A	RR DOOR	Power Window	178
20A	WIP	Front Wiper and Washer	208
25A	D/L	Door Lock Control	184
		Interior Light	128
		Theft Deterrent	200
		Wireless Door Lock Control	192
30A	DEF	Engine Control	84
		Rear Window Defogger	216
30A	POWER	Power Window	178

* These are the page numbers of the first page on which the related system is shown.

Fusible Link Block (See Page 42)

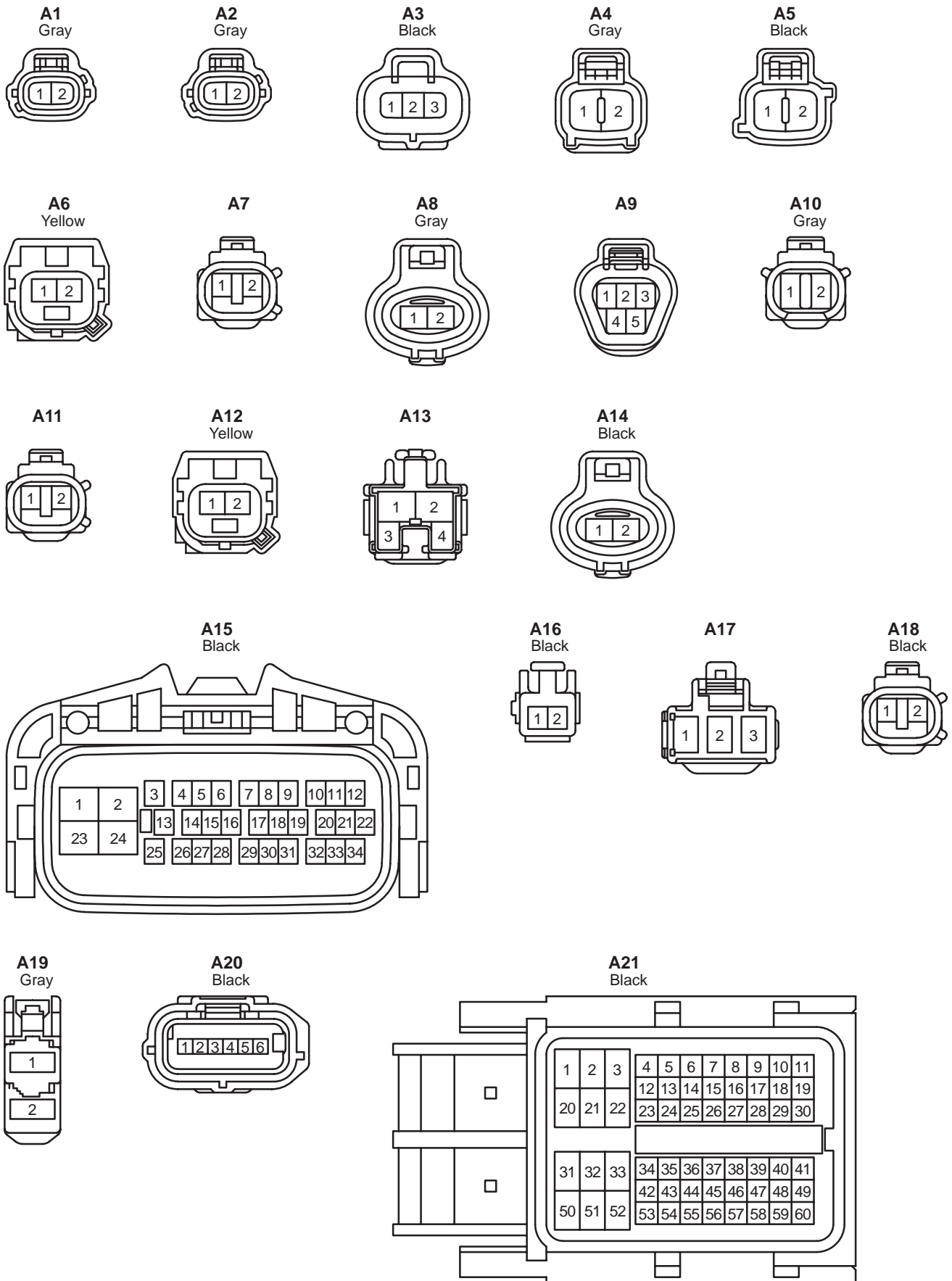
Fuse		System	Page
120A	ALT	Charging	78
		Engine Control	84
		Key Reminder and Light Reminder	150
		Power Window	178
		Taillight and Illumination	134

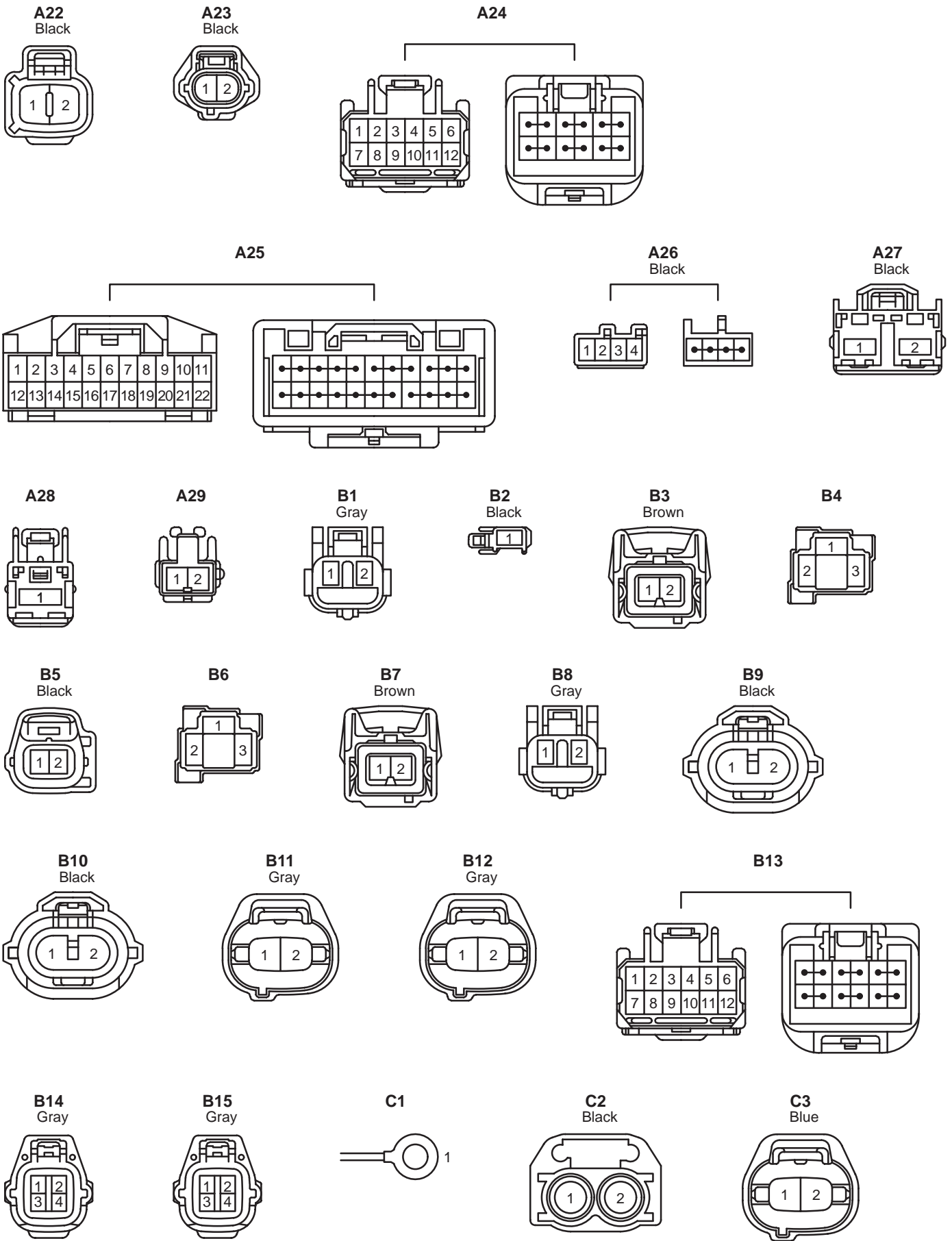
Fuse Block (See Page 45)

Fuse		System	Page
7.5A	ACC2	Shift Lock	214

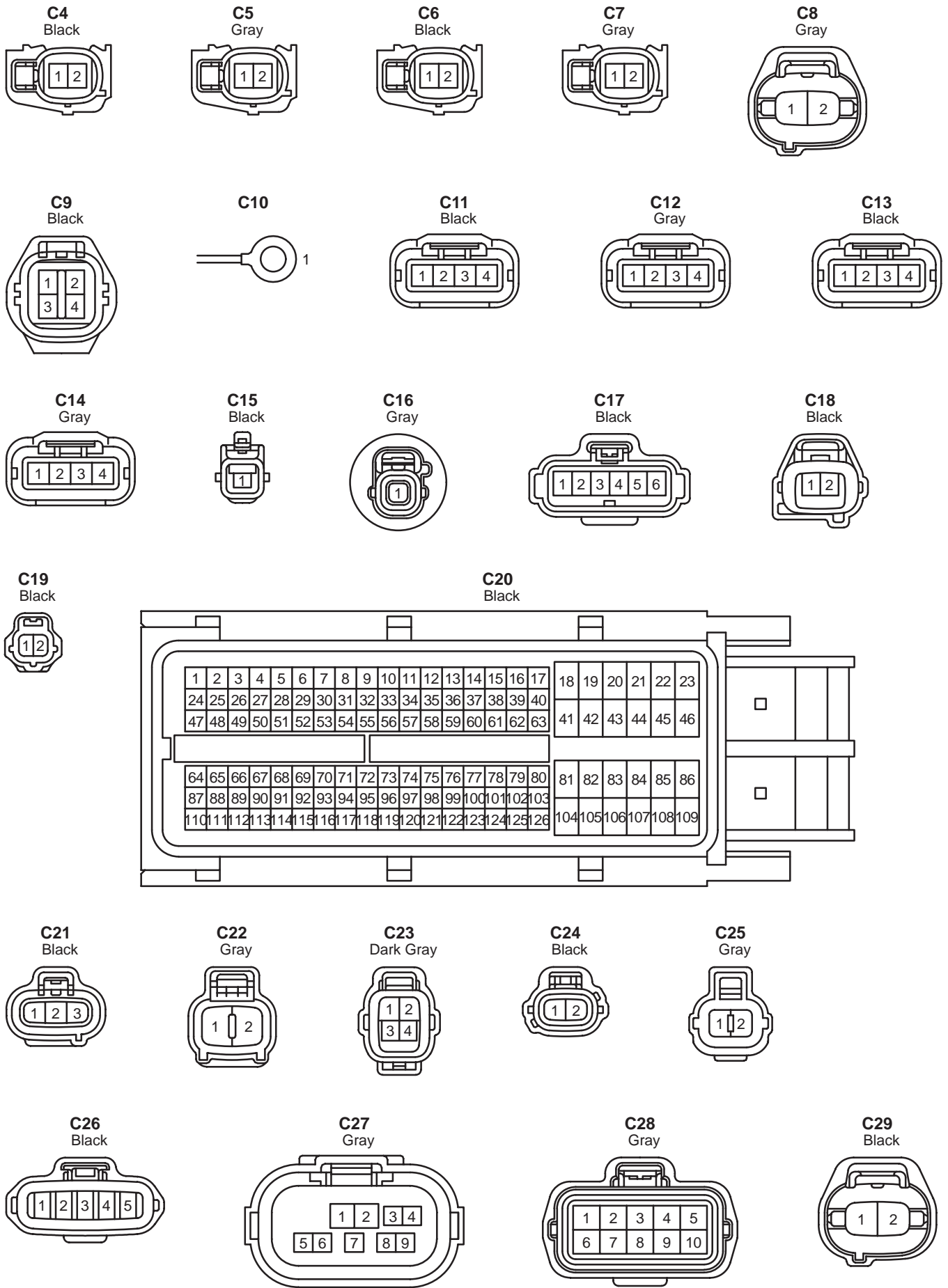
* These are the page numbers of the first page on which the related system is shown.

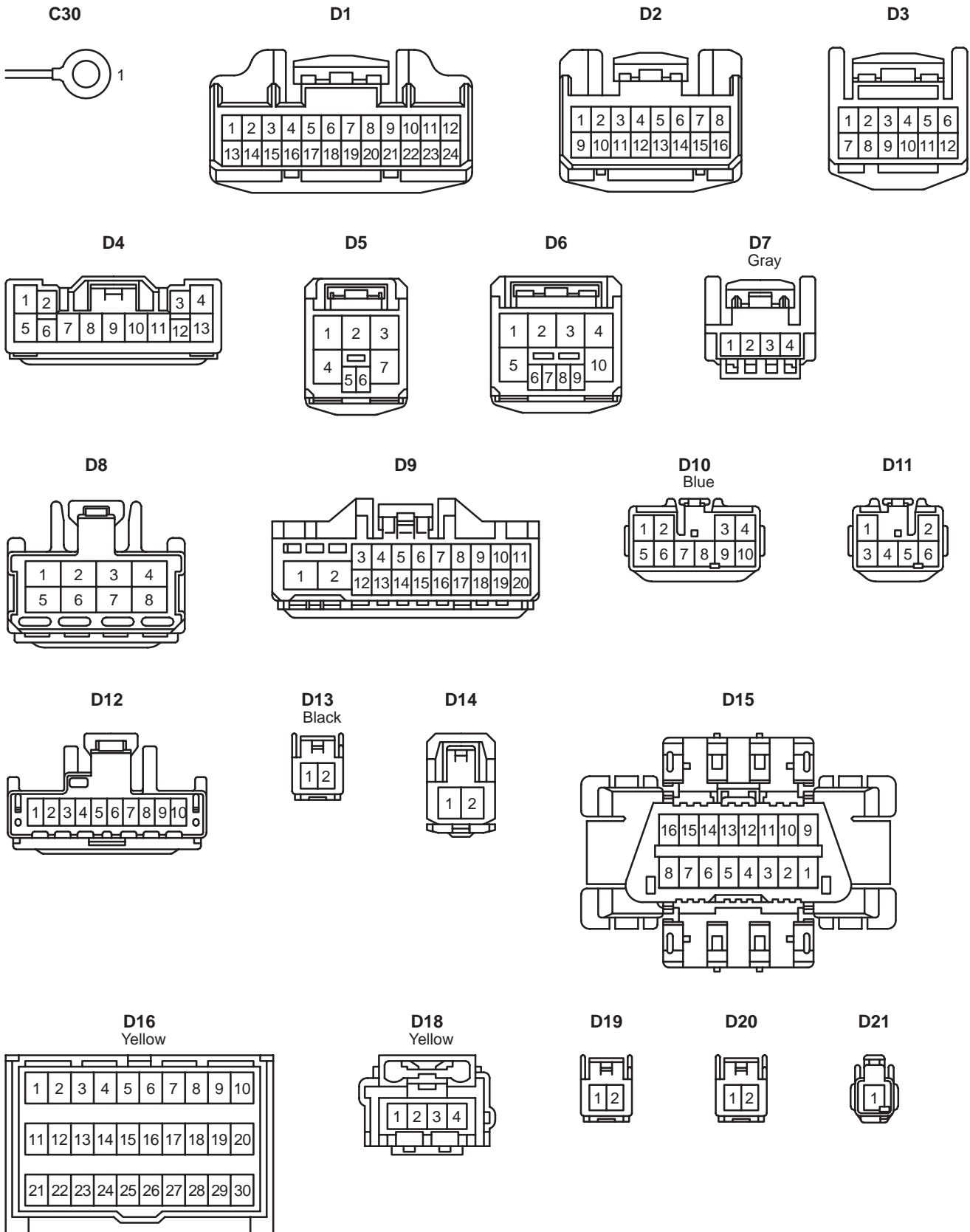
K CONNECTOR LIST



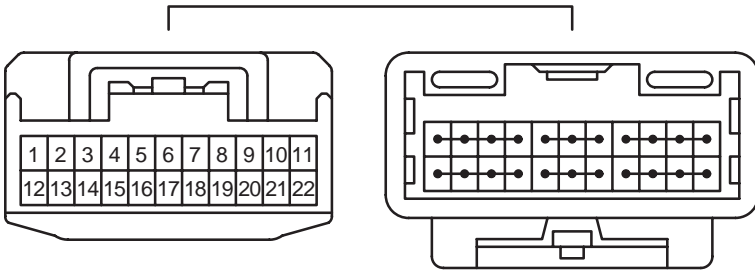


K CONNECTOR LIST

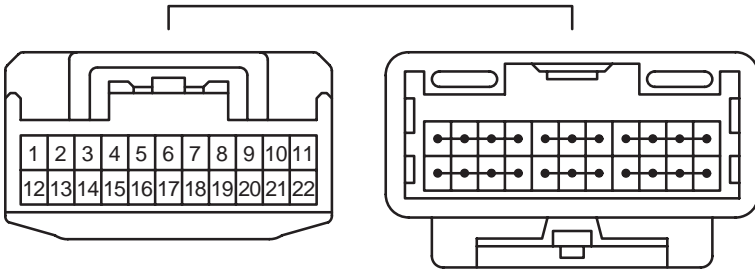




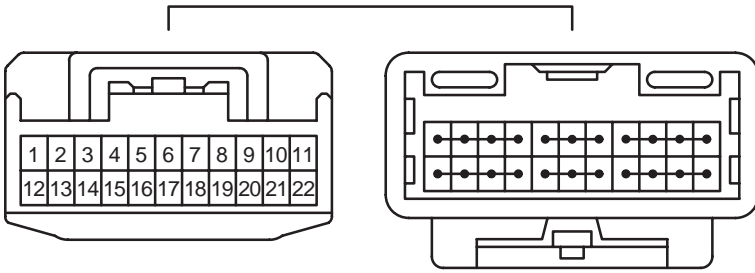
D36



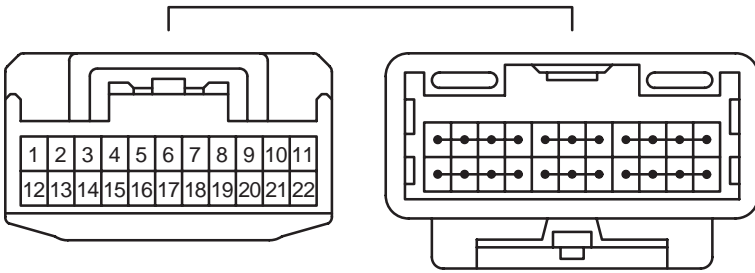
D37



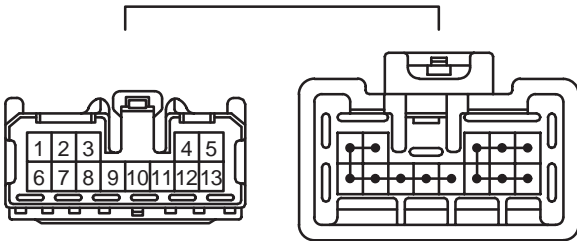
D38



D39

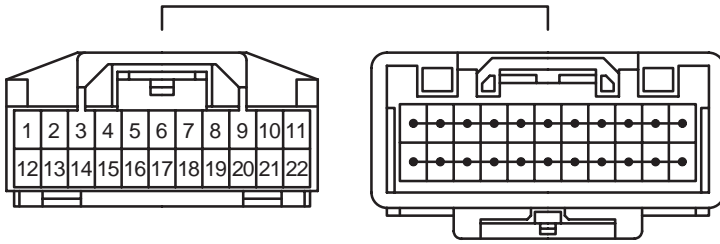


D40

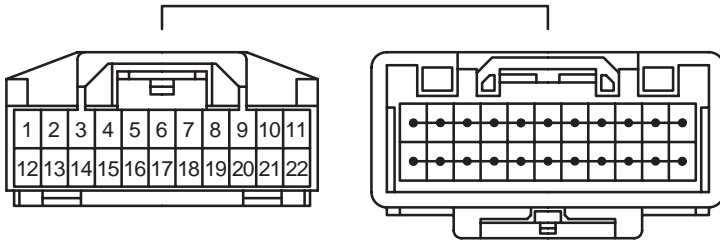


K CONNECTOR LIST

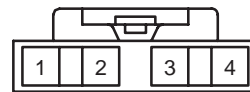
D41



D42



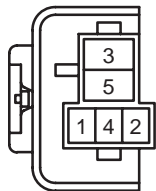
D43



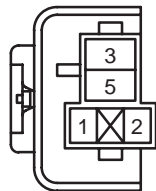
D44
Black



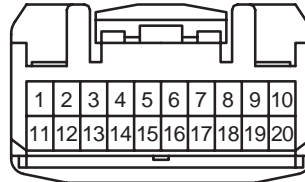
D45
Gray



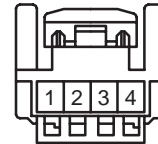
D46



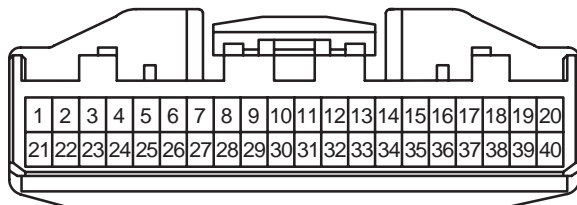
D74



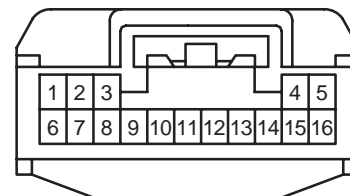
D75
Gray



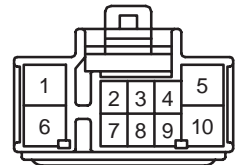
D76



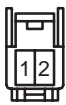
D77



E1



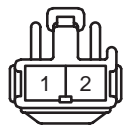
E2



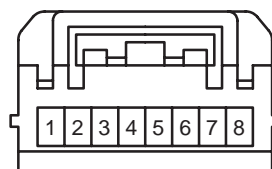
E3
Black



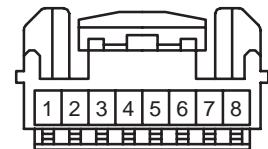
E4
Black



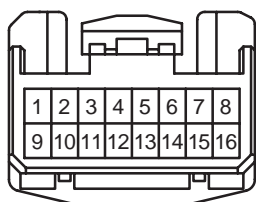
E5



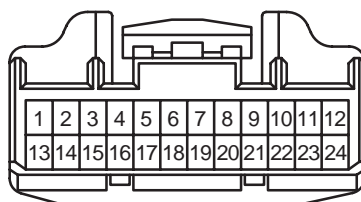
E6



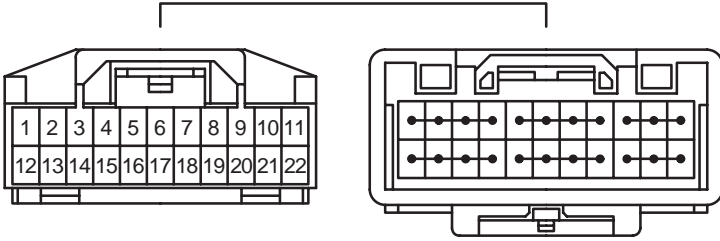
E8



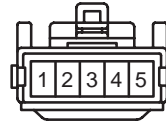
E9



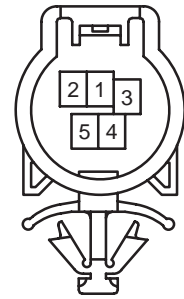
E10



F1



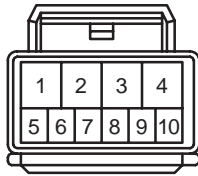
F2



F4



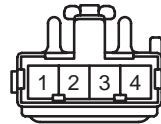
F5



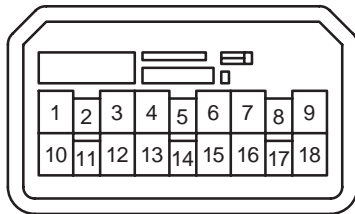
F6



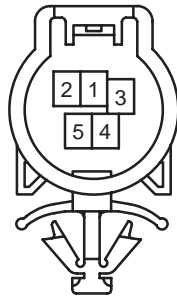
F7



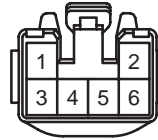
G1



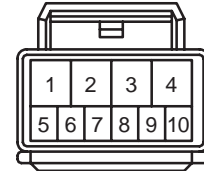
G2



G4



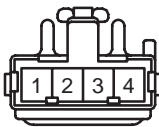
G5



G6



G7



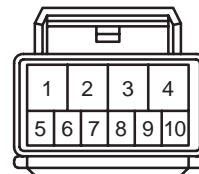
H1



H2



H3



H4



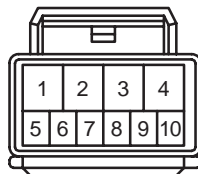
I1



I2



I3



I4



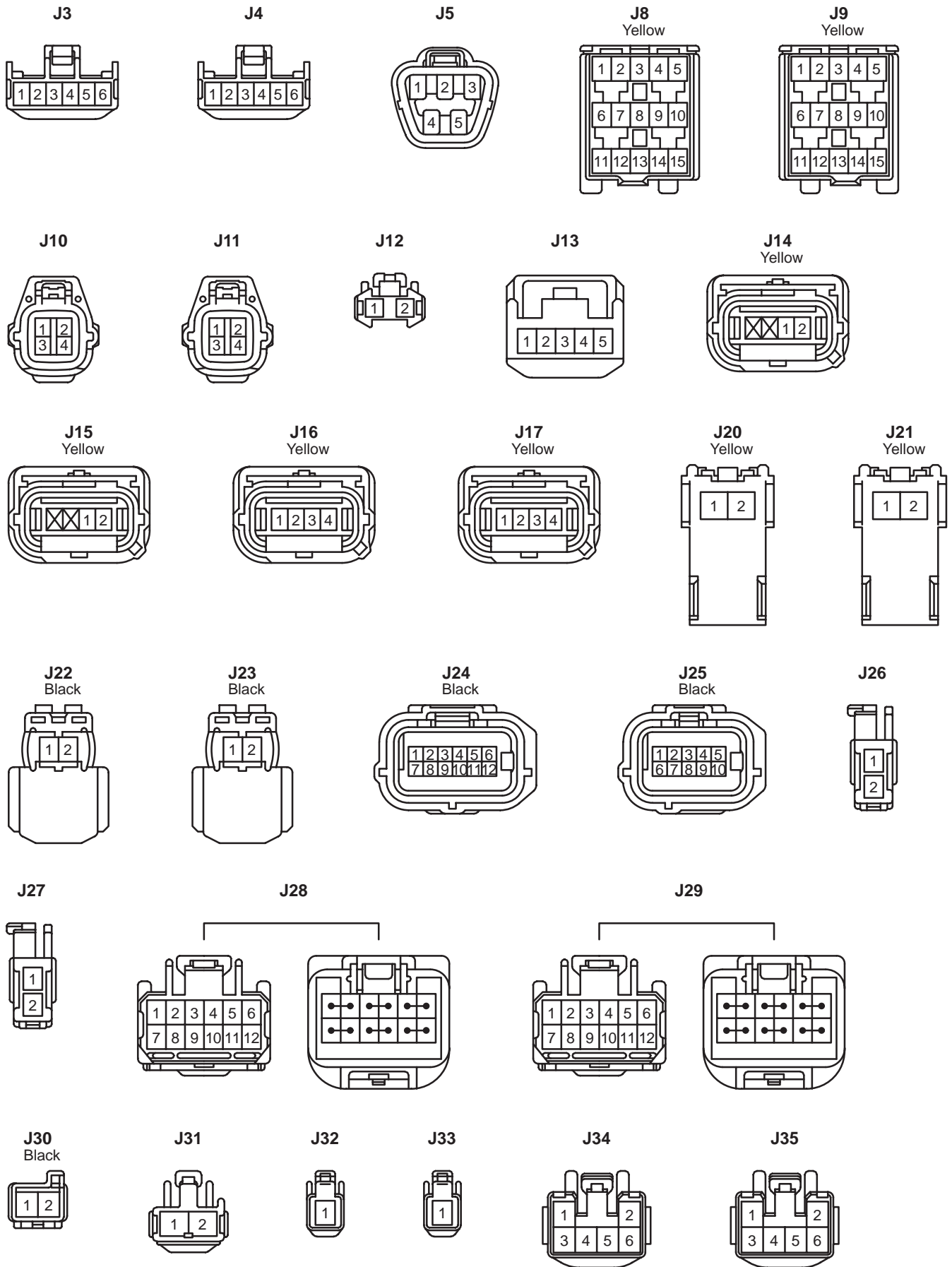
J1

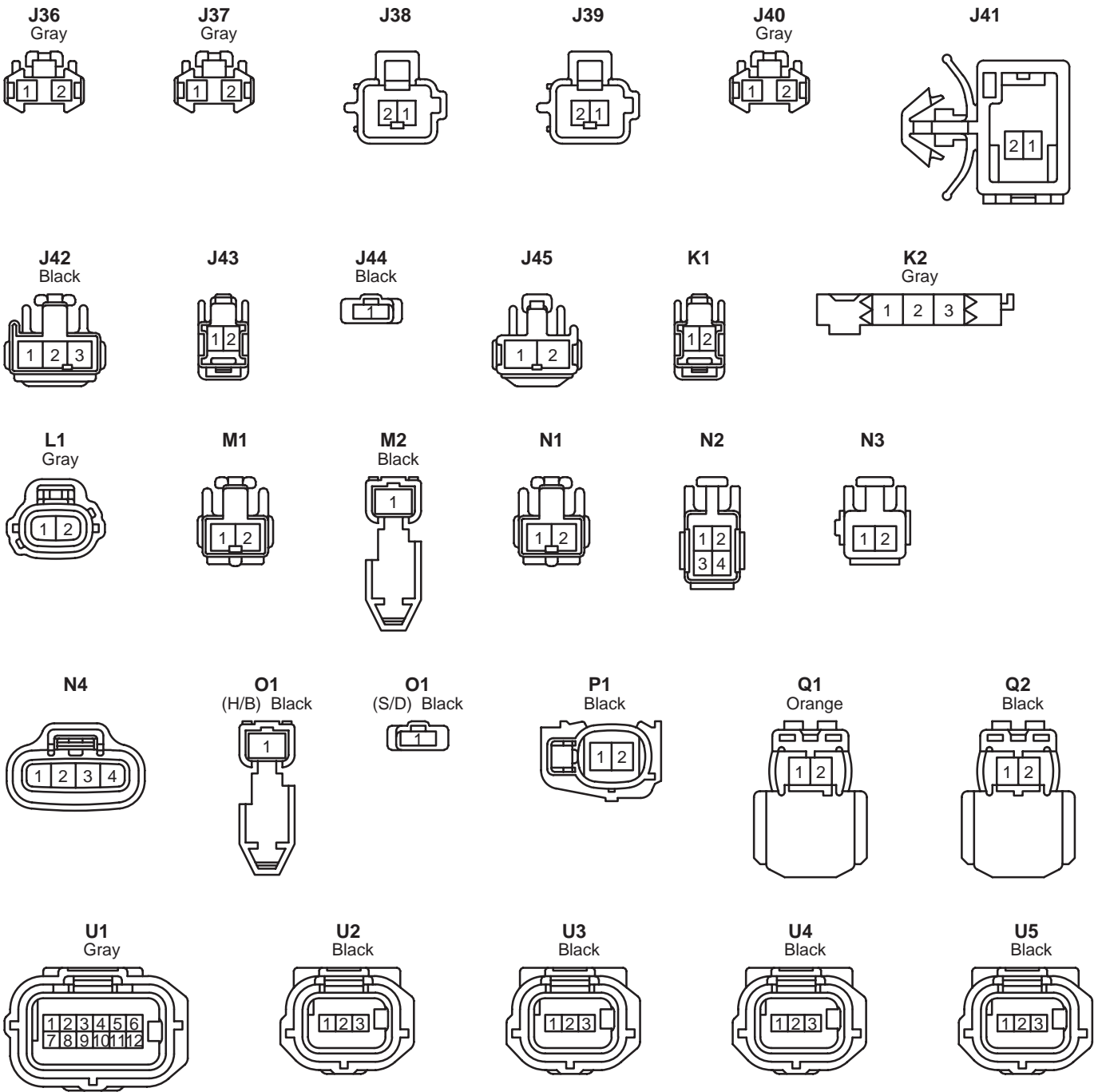


J2



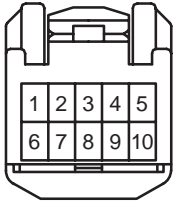
K CONNECTOR LIST



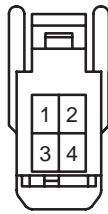


K CONNECTOR LIST

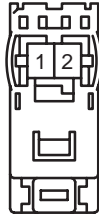
V1
(H/B)



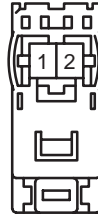
V1
(S/D)



W1
Orange



W2
Black



X1



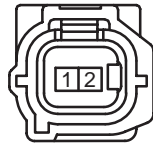
Y1



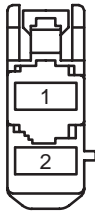
Z1
Black



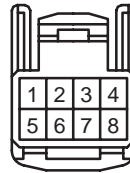
a1
Black



b1

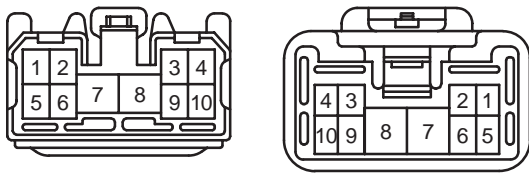


c1

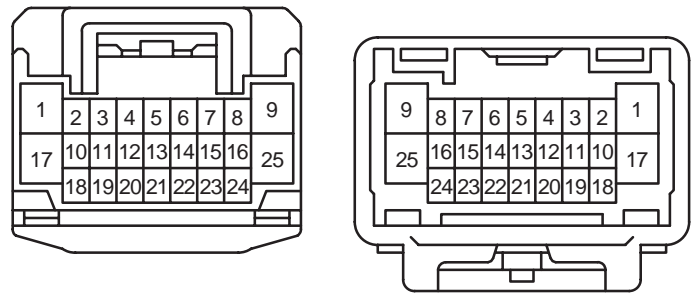


K CONNECTOR LIST

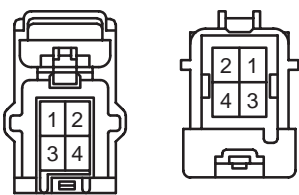
AA1



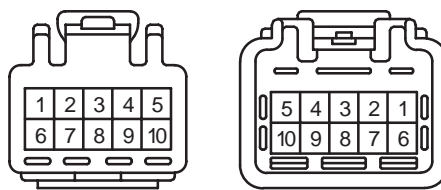
AA2



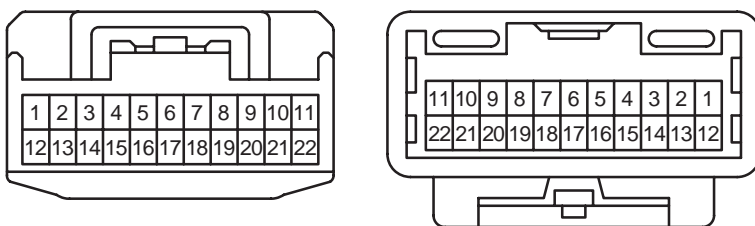
AD1 Yellow



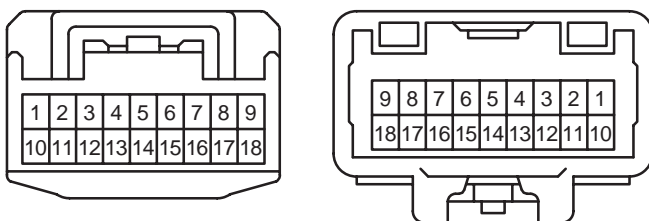
AD2



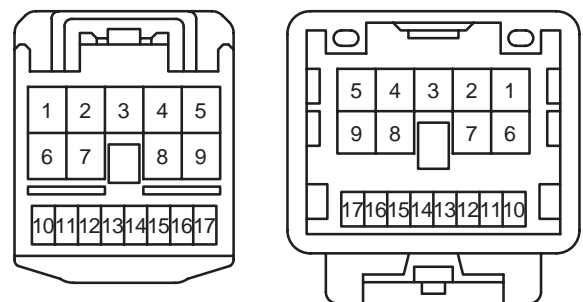
AD3 Black



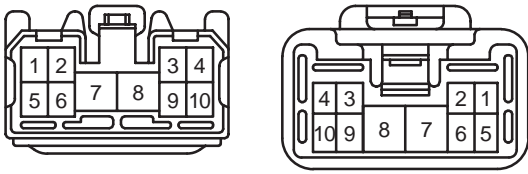
AD4 Gray



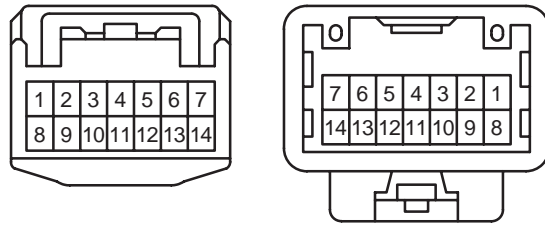
AD5 Blue



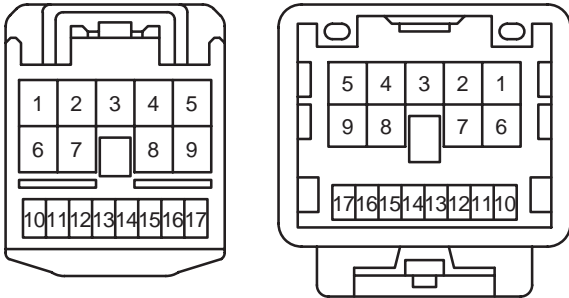
AE1



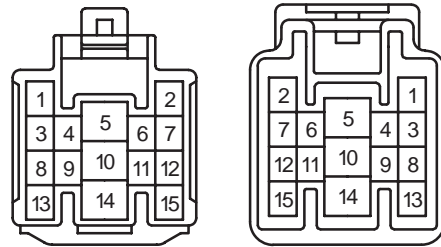
AJ1



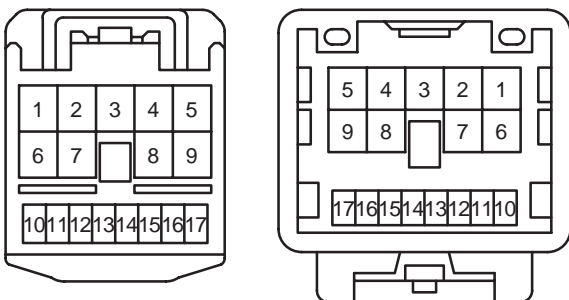
BA1



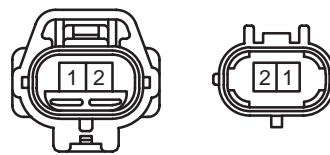
CA1



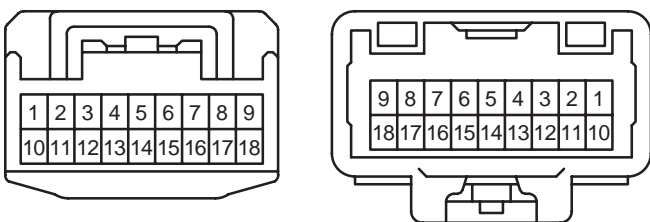
CA2



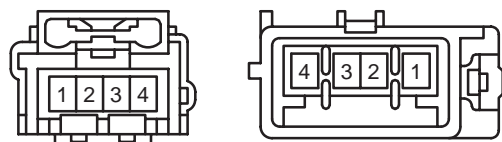
CP1 Gray



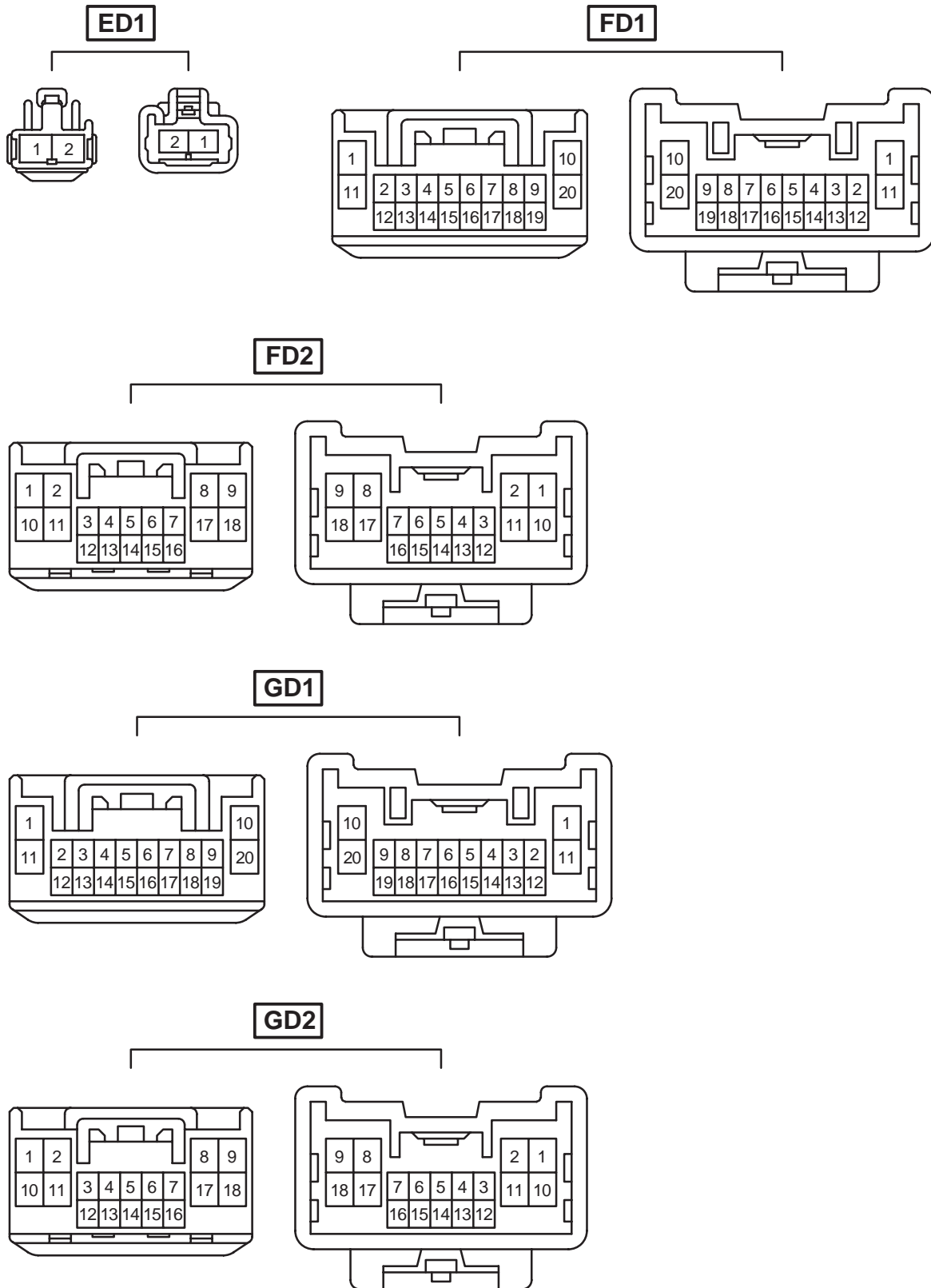
DE1



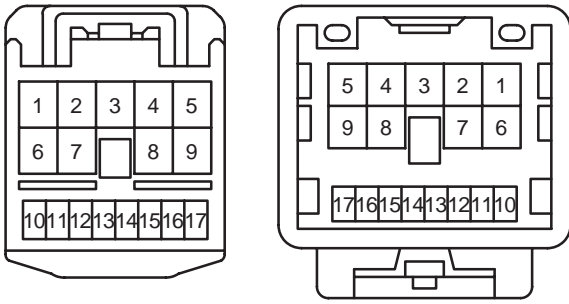
DQ1 Yellow



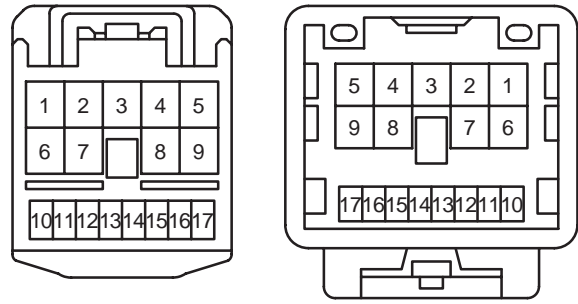
K CONNECTOR LIST



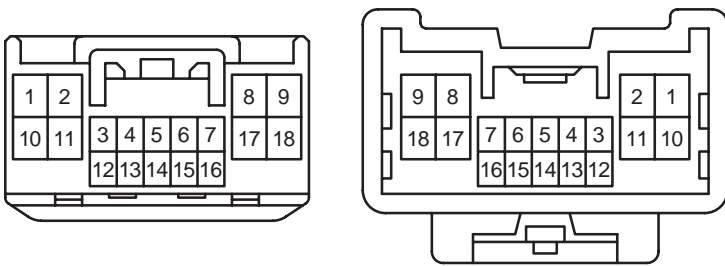
HJ1



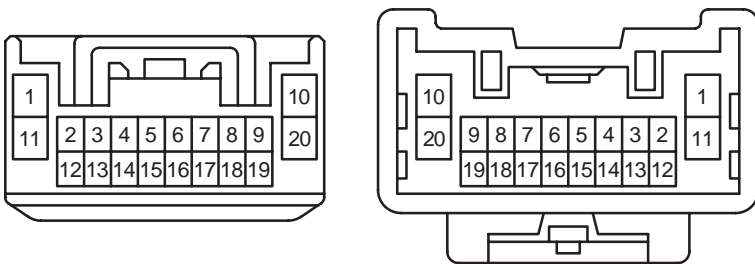
IJ1



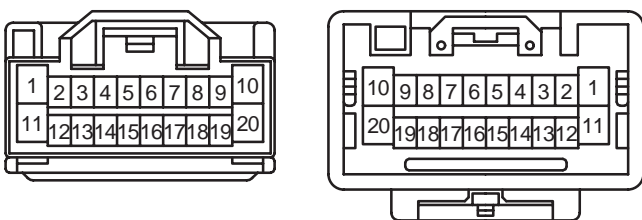
JD1



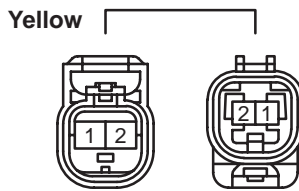
JD2



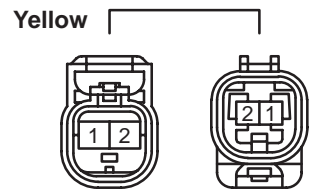
JD3



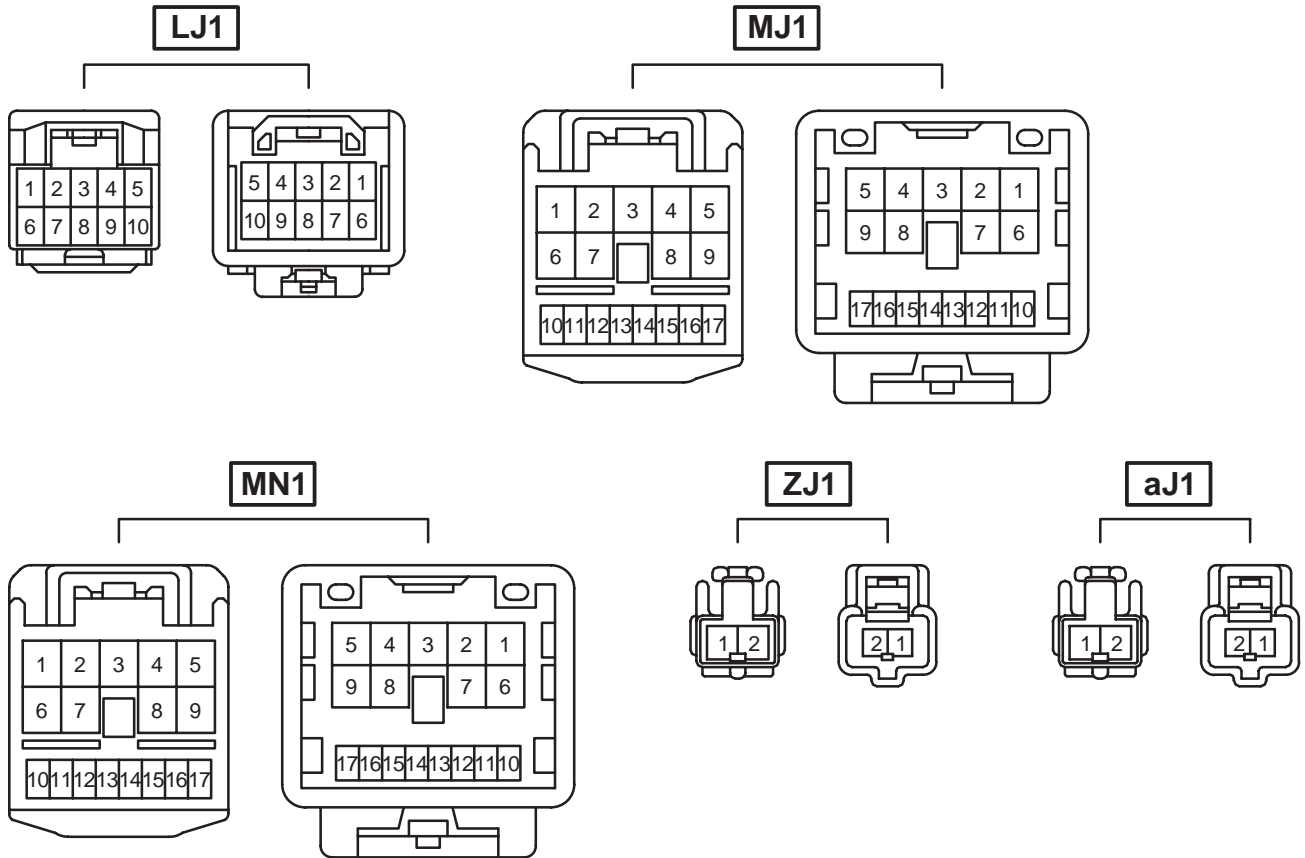
JX1



JY1



K CONNECTOR LIST



L PART NUMBER OF CONNECTORS

Code	Part Name	Part Number	Code	Part Name	Part Number
A1	Turn Signal Lamp (Front Side RH)	90980-11162	C2	Crankshaft Position Sensor	90980-12028
A2	Turn Signal Lamp (Front Side LH)		C3	VSV (Purge)	90980-11156
A3	A/C Pressure Sensor	90980-10845	C4	Fuel Injector (No.1)	90980-11875
A4	Rear Washer Motor	90980-11051	C5	Fuel Injector (No.2)	
A5	Windshield Washer Motor	90980-11019	C6	Fuel Injector (No.3)	
A6	Airbag Sensor (Front RH)	90980-12490	C7	Fuel Injector (No.4)	
A7	Speed Sensor (Front RH)	90980-11003	C8	A/C Compressor	90980-11156
A8	Cooling Fan Motor	90980-10928	C9	Generator	90980-11964
A9	Windshield Wiper Motor	90980-11599	C10	Generator	90980-09373
A10	Brake Fluid Level Warning SW	90980-11207	C11	Ignition Coil (No.1)	90980-11885
A11	Speed Sensor (Front LH)	90980-11003	C12	Ignition Coil (No.2)	
A12	Airbag Sensor (Front LH)	90980-12490	C13	Ignition Coil (No.3)	
A13	Stop Lamp SW	90980-11118	C14	Ignition Coil (No.4)	
A14	Radiator Fan Resistor	90980-10928	C15	Starter	90980-11400
A15	Skid Control ECU with Actuator	90980-12020	C16	Engine Oil Pressure SW	90980-11363
A16	Clutch Start SW	90980-10825	C17	Throttle Body Assembly	90980-11858
A17	PTC Heater	90980-10956	C18	Camshaft Position Sensor	90980-10947
A18	Engine Hood Courtesy SW	90980-11003	C19	Engine Coolant Temp. Sensor	90980-10735
A19	Power Steering ECU	90980-12300	C20	Engine Control Module	90980-12399
A20	Accelerator Position Sensor	90980-12303	C21	Speed Sensor	90980-11143
A21	Engine Control Module	90980-12462	C22	Back-Up Lamp SW	90980-11051
A22	Water Level Warning SW	90980-11068	C23	Air Fuel Ratio Sensor (Bank 1 Sensor 1)	90980-10869
A23	Security Horn	90980-11235	C24	Camshaft Timing Oil Control Valve	90980-11162
A24	Junction Connector	90980-11661	C25	Noise Filter	90980-10843
A25	Junction Connector	90980-11915	C26	Mass Air Flow Meter	90980-11317
A26	Junction Connector	90980-11398	C27	Park/Neutral Position SW	90980-12362
A27	Fusible Link Block	90980-11996	C28	Electronically Controlled Transmission Solenoid	90980-11658
A28	Fusible Link Block	90980-11775	C29	Speed Sensor (Turbine)	90980-11156
A29	Cruise Control Clutch SW	90980-10906	C30	Fusible Link Block	90980-09223
B1	Turn Signal Lamp (Front RH)	82824-52130	D1	Combination Meter	90980-12200
B2	Horn	90980-10619	D2	Combination Meter	90980-12155
B3	Parking Lamp (RH)	90080-98298	D3	Spiral Cable	90980-12183
B4	Headlamp (RH)	90980-11314	D4	Headlamp Dimmer SW Assembly	90980-12007
B5	Ambient Temp. Sensor	90980-11070	D5	Windshield Wiper SW Assembly	90980-12358
B6	Headlamp (LH)	90980-11314	D6	Windshield Wiper SW Assembly	90980-12359
B7	Parking Lamp (LH)	90080-98298	D7	Hazard Warning Signal SW	82824-21030
B8	Turn Signal Lamp (Front LH)	82824-52130	D8	Ignition SW	90980-11615
B9	Fog Lamp (Front RH)	82824-60460	D9	Running Light Relay	90980-12034
B10	Fog Lamp (Front LH)		D10	Radio Receiver Assembly	90980-10997
B11	Side Marker Lamp (Front RH)	90980-11156	D11	Radio Receiver Assembly	90980-10996
B12	Side Marker Lamp (Front LH)		D12	Outer Mirror SW	90980-11657
B13	Junction Connector	90980-11661	D13	Key Interlock Solenoid	90980-12063
B14	Turn Signal, Side Marker and Parking Lamp (RH)	90980-10942	D14	Cigarette Lighter or Power Outlet	90980-12498
B15	Turn Signal, Side Marker and Parking Lamp (LH)		D15	Data Link Connector 3	90980-11978
C1	Starter	90980-09640	D16	Airbag Sensor Assembly Center	90980-12391

Note: Not all of the above part numbers of the connector are established for the supply.

Code	Part Name	Part Number	Code	Part Name	Part Number
D18	Spiral Cable	90980-12160	F6	Speaker (Front Door RH)	90980-10935
D19	Unlock Warning SW	90980-12063	F7	Door Lock Control SW (Front Passenger's Side)	90980-11013
D20	A/T Shift Lever Illumination		G1	Power Window Master SW	90980-12122
D21	Parking Brake SW	90980-10871	G2	Outer Rear View Mirror (LH)	90980-12189
D22	Shift Lock Control ECU	90980-12183	G4	Power Window Regulator Motor (Front LH)	90980-10797
D23	Transponder Key ECU	90980-12423	G5	Door Lock Assembly (Driver's Side)	90980-12226
D24	Transponder Key Amplifier	90980-12092	G6	Speaker (Front Door LH)	90980-10935
D25	Security Indicator Lamp	90980-12056	G7	Door Lock Control SW (Driver's Side)	90980-11013
D26	Theft Warning ECU	90980-12564	H1	Power Window SW (Rear RH)	90980-10631
D27	Passenger Seat Belt Warning Lamp	90980-12012	H2	Power Window Regulator Motor (Rear RH)	90980-10797
D28	Oxygen Sensor (Bank 1 Sensor 2)	90980-11028	H3	Door Lock Assembly (Rear RH)	90980-12226
D29	Light Control Rheostat	90980-12361	H4	Speaker (Rear RH)	90980-10935
D30	Door Lock Control SW	90980-12550	I1	Power Window SW (Rear LH)	90980-10631
D31	Power Steering ECU	90980-12290	I2	Power Window Regulator Motor (Rear LH)	90980-10797
D32	Antenna Amplifier	90980-10871	I3	Door Lock Assembly (Rear LH)	90980-12226
D33	Main Body ECU	90980-12203	I4	Speaker (Rear LH)	90980-10935
D34	Junction Connector	90980-12372	J1	Door Courtesy SW (Front RH)	82824-52010
D35	Junction Connector		J2	Door Courtesy SW (Front LH)	
D36	Junction Connector		J3	Rear Combination Lamp (RH)	90980-10957
D37	Junction Connector		J4	Rear Combination Lamp (LH)	
D38	Junction Connector		J5	Fuel Suction Pump and Gage Assembly	90980-11077
D39	Junction Connector		J8	Airbag Sensor Assembly Center	90980-12449
D40	Junction Connector	90980-11542	J9	Airbag Sensor Assembly Center	90980-12450
D41	Junction Connector	90980-11915	J10	Front Seat Inner Belt (Driver's Side)	90980-10942
D42	Junction Connector		J11	Front Seat Inner Belt Assembly (Front RH)	
D43	Fuse Block	82610-52010	J12	Room Lamp (Luggage)	90980-11148
D44	Diode (Starter)	90980-10962	J13	Door Control Receiver	90980-12366
D45	ACC Cut Relay	82660-52040	J14	Airbag Sensor (Rear RH)	90980-12352
D46	Front Fog Light Relay	82660-52030	J15	Airbag Sensor (Rear LH)	
D74	Radio Receiver Assembly	90980-12259	J16	Side Airbag Sensor (RH)	90980-12225
D75	Stereo Jack Adapter	82824-21030	J17	Side Airbag Sensor (LH)	
D76	Combination Meter	90980-12557	J20	Pretensioner (RH)	90980-12253
D77	Hazard Warning Signal SW	90980-12423	J21	Pretensioner (LH)	
E1	Blower SW	90980-10993	J22	Curtain Shield Airbag Squib (RH)	90980-12575
E2	A/C Thermistor No.1	90980-11918	J23	Curtain Shield Airbag Squib (LH)	
E3	Blower Resistor	90980-11136	J24	Occupant Classification ECU	90980-12356
E4	Blower Motor	90980-10916	J25	Canister Pump Module	90980-12380
E5	A/C SW	90980-12550	J26	Speaker (Rear RH)	90980-10935
E6	Rear Window Defogger SW	90980-12217	J27	Speaker (Rear LH)	
E8	A/C Amplifier	90980-12155	J28	Junction Connector	90980-11661
E9	A/C Amplifier	90980-12200	J29	Junction Connector	
E10	Junction Connector	90980-11915	J30	Diode (Room Lamp)	90980-10962
F1	Power Window SW (Front RH)	90980-10789	J31	Noise Filter	90980-10916
F2	Outer Rear View Mirror (RH)	90980-12189	J32	Door Courtesy SW (Rear RH)	82824-52010
F4	Power Window Regulator Motor (Front RH)	90980-10797	J33	Door Courtesy SW (Rear LH)	
F5	Door Lock Assembly (Front Passenger's Side)	90980-12226			

L PART NUMBER OF CONNECTORS

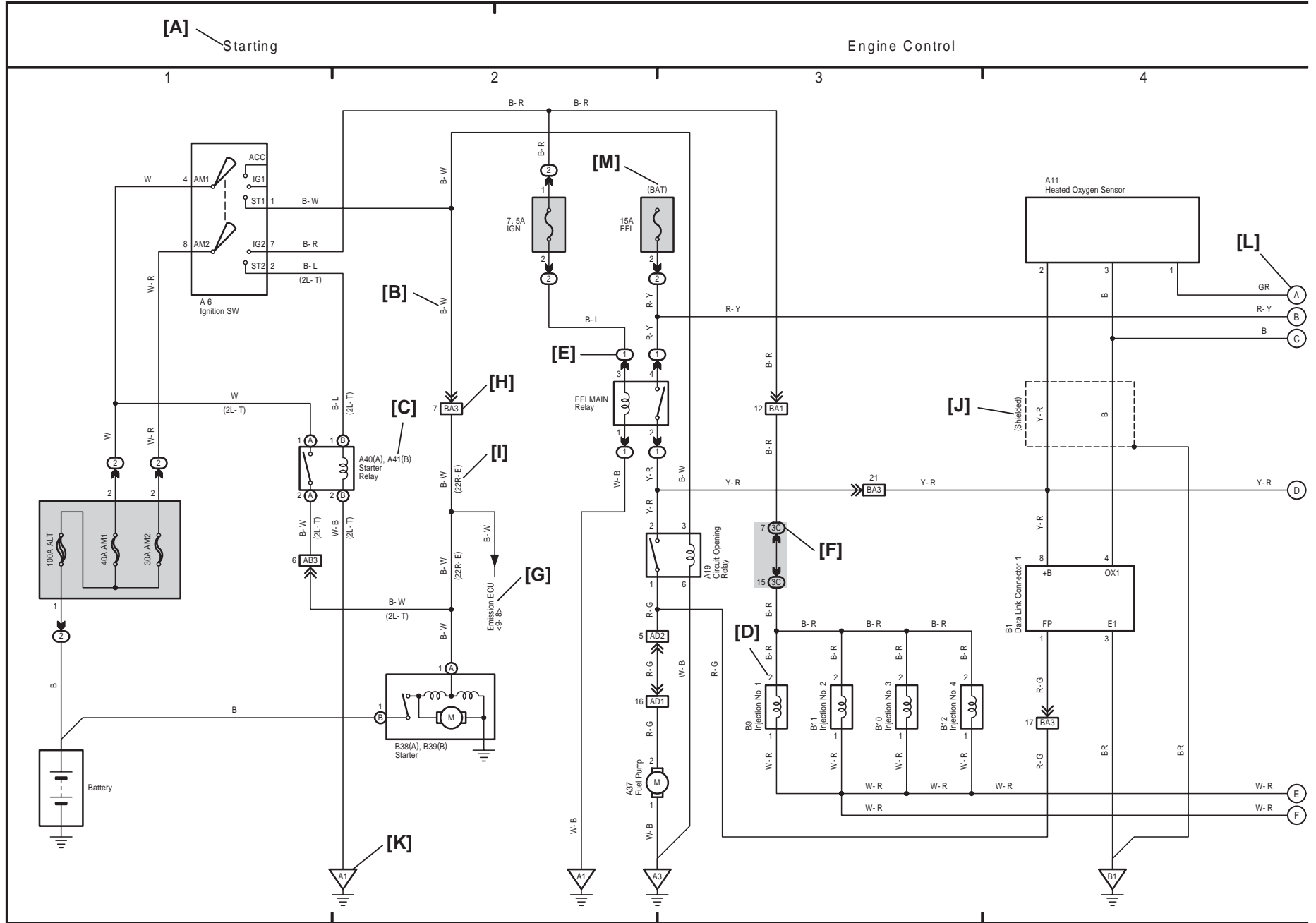
Code	Part Name	Part Number	Code	Part Name	Part Number
J34	Rear Combination Lamp (RH)	82824-52050	Q2	Airbag Squib (Front Passenger's Airbag Assembly)	90980-12575
J35	Rear Combination Lamp (LH)		U1	Occupant Classification ECU	90980-12357
J36	License Plate Lamp (RH)	90980-11148	U2	Occupant Classification Sensor (Front LH)	90980-12353
J37	License Plate Lamp (LH)		U3	Occupant Classification Sensor (Rear LH)	
J38	Speaker (Rear RH)	90980-11299	U4	Occupant Classification Sensor (Front RH)	
J39	Speaker (Rear LH)		U5	Occupant Classification Sensor (Rear RH)	
J40	High Mounted Stop Light	90980-11148	V1	Cruise Control SW (S/D)	
J41	High Mounted Stop Light	90980-11967		Spiral Cable (H/B)	90980-12361
J42	Door Lock Assembly (Luggage)	90980-10908		Spiral Cable (S/D)	90980-12360
J43	Door Lock Assembly (Luggage)	90980-11212		Steering Pad SW (H/B)	90980-12361
J44	Rear Window Defogger	90980-10913		Steering Pad SW (S/D)	90980-12360
J45	Noise Filter	90980-10916	W1	Airbag Squib (Steering Wheel Pad)	90980-12224
K1	Map Lamp	90980-11212		Spiral Cable	
K2	Room Lamp (Center)	-	W2	Airbag Squib (Steering Wheel Pad)	90980-12219
L1	License Plate Lamp	90980-11162		Spiral Cable	
M1	Center Stop Lamp	90980-10860	X1	Side Airbag Squib (RH)	90980-12452
M2	Rear Window Defogger	90980-11853	Y1	Side Airbag Squib (LH)	
N1	Rear Wiper Motor Assembly	90980-10860	Z1	Speed Sensor (Rear RH)	90980-12416
N2	Back Door Courtesy SW	90980-10795	a1	Speed Sensor (Rear LH)	
N3	Back Door Lock Assembly	90980-10825	b1	Power Steering ECU	90980-12299
N4	Back Door Position SW	90980-11150		Power Steering Motor	
O1	Rear Window Defogger (H/B)	90980-11853	c1	Power Steering ECU	90980-12221
	Rear Window Defogger (S/D)	90980-10914		Power Steering Torque Sensor	
P1	Knock Control Sensor (Bank 1)	90980-11875			
Q1	Airbag Squib (Front Passenger's Airbag Assembly)	90980-12576			

Note: Not all of the above part numbers of the connector are established for the supply.

HOW TO READ THIS SECTION

* The system shown here is an EXAMPLE ONLY. It is different to the actual circuit shown in the wiring diagram section.

YARIS (EM01V0U)



M OVERALL ELECTRICAL WIRING DIAGRAM

[A] : System Title

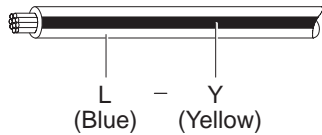
[B] : Indicates the wiring color.

Wire colors are indicated by an alphabetical code.

- | | | |
|------------|------------|------------------|
| B = Black | W = White | BR = Brown |
| L = Blue | V = Violet | SB = Sky Blue |
| R = Red | G = Green | LG = Light Green |
| P = Pink | Y = Yellow | GR = Gray |
| O = Orange | | |

The first letter indicates the basic wire color and the second letter indicates the color of the stripe.

Example: L – Y

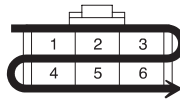


[C] : The position of the parts is the same as shown in the wiring diagram and wire routing.

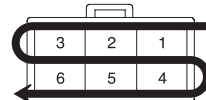
[D] : Indicates the pin number of the connector. The numbering system is different for female and male connectors.

Example: Numbered in order from upper left to lower right

Numbered in order from upper right to lower left



Female



Male

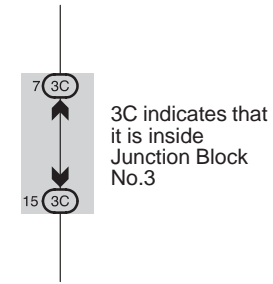
The numbering system for the overall wiring diagram is the same as above

[E] : Indicates a Relay Block. No shading is used and only the Relay Block No. is shown to distinguish it from the J/B.

Example:  Indicates Relay Block No.1

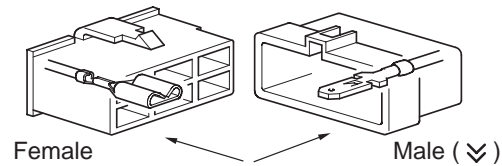
[F] : Junction Block (The number in the circle is the J/B No. and the connector code is shown beside it). Junction Blocks are shaded to clearly separate them from other parts.

Example:



[G] : Indicates related system.

[H] : Indicates the wiring harness and wiring harness connector. The wiring harness with male terminal is shown with arrows (↘). Outside numerals are pin numbers.



[I] : () is used to indicate different wiring and connector, etc. when the vehicle model, engine type, or specification is different.

[J] : Indicates a shielded cable.



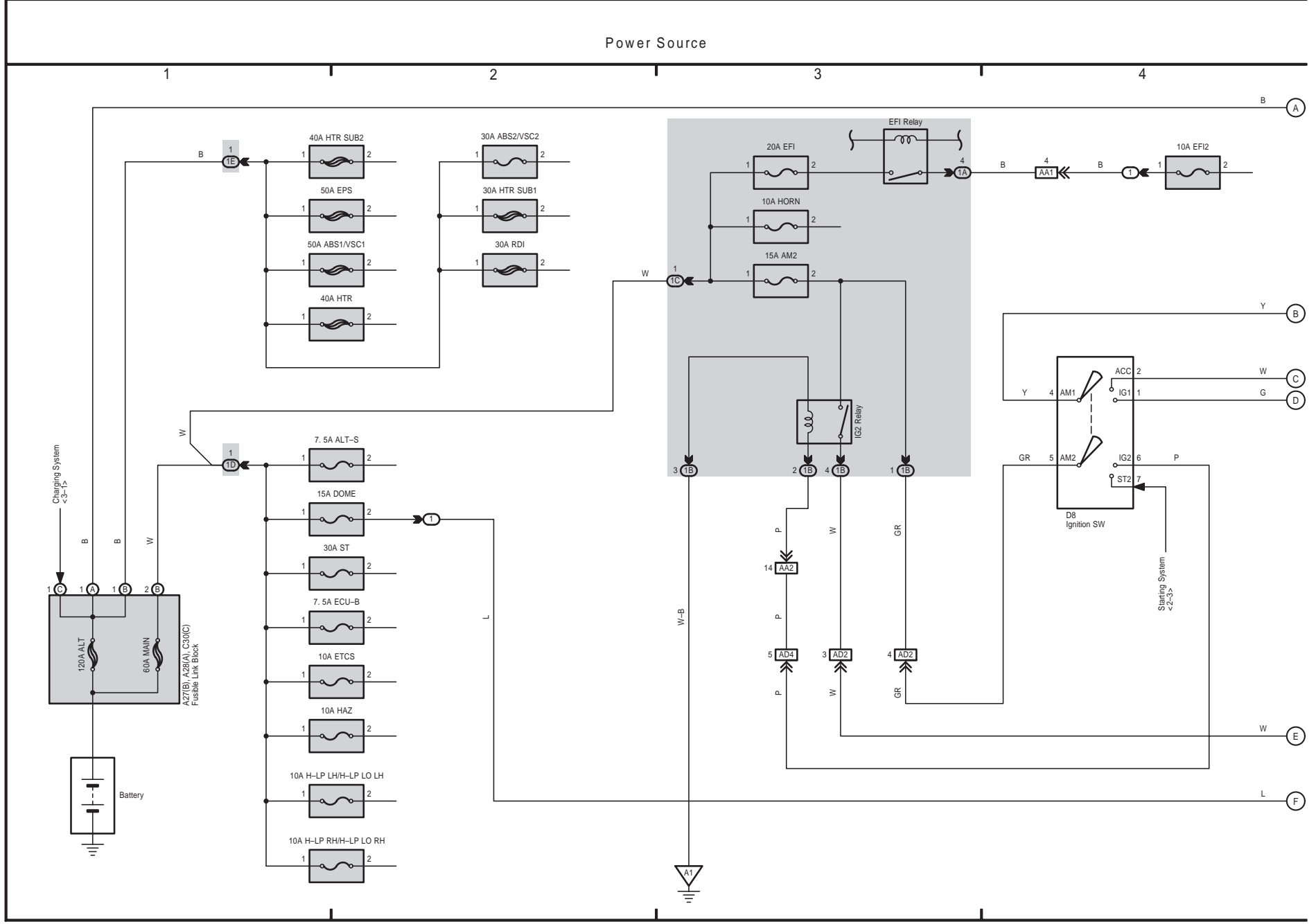
[K] : Indicates a ground point.

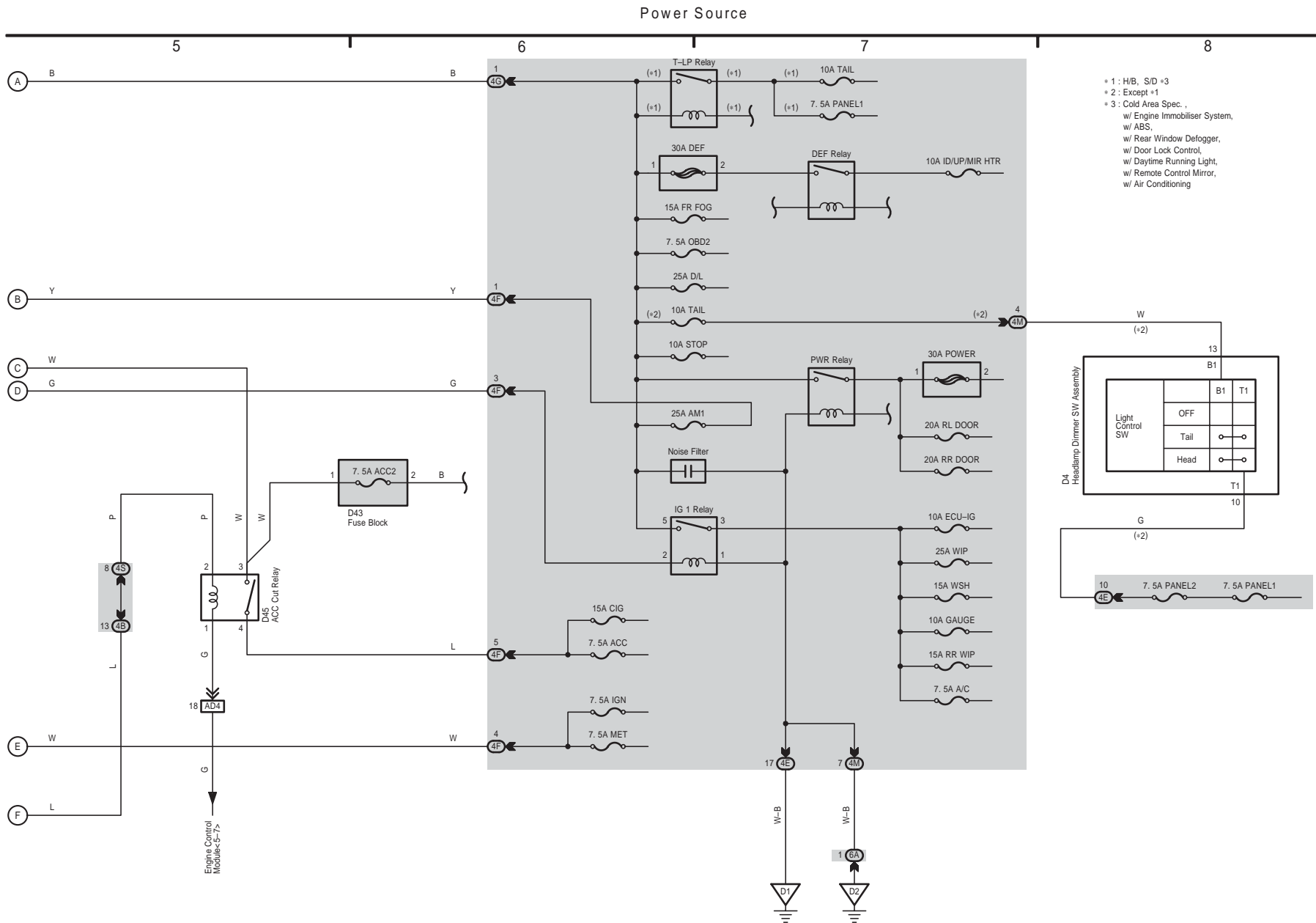
[L] : The same code occurring on the next page indicates that the wire harness is continuous.

[M] : Indicates the ignition key position(s) when the power is supplied to the fuse(s).

SYSTEM INDEX

SYSTEMS	LOCATION	SYSTEMS	LOCATION
ABS	17-1	Illumination	12-1
Air Conditioning	29-1	Interior Light	11-1
Audio System	26-1	Key Reminder	16-1
Back-Up Light	13-1	Light Reminder	16-1
Charging	3-1	Multiplex Communication System (CAN)	8-1
Cigarette Lighter	24-3	Power Outlet	24-3
Combination Meter	27-1	Power Source	1-1
Cooling Fan	28-1	Power Window	20-1
Cruise Control	5-16	Rear Window Defogger	25-1
Data Link Connector 3	7-1	Rear Wiper and Washer	23-1
Door Lock Control	21-1	Remote Control Mirror	24-1
Electronically Controlled Transmission and A/T Indicator	5-17	Seat Belt Warning	18-7
Engine Control	5-1	Shift Lock	23-3
Engine Immobiliser System	6-1	SRS	18-1
EPS	19-1	Starting	2-1
Front Fog Light	15-1	Stop Light	14-1
Front Wiper and Washer	22-1	Taillight	12-1
Headlight	9-1	Theft Deterrent	21-10
Horn	25-3	Turn Signal and Hazard Warning Light	10-1
Ignition	4-1	Wireless Door Lock Control	21-9

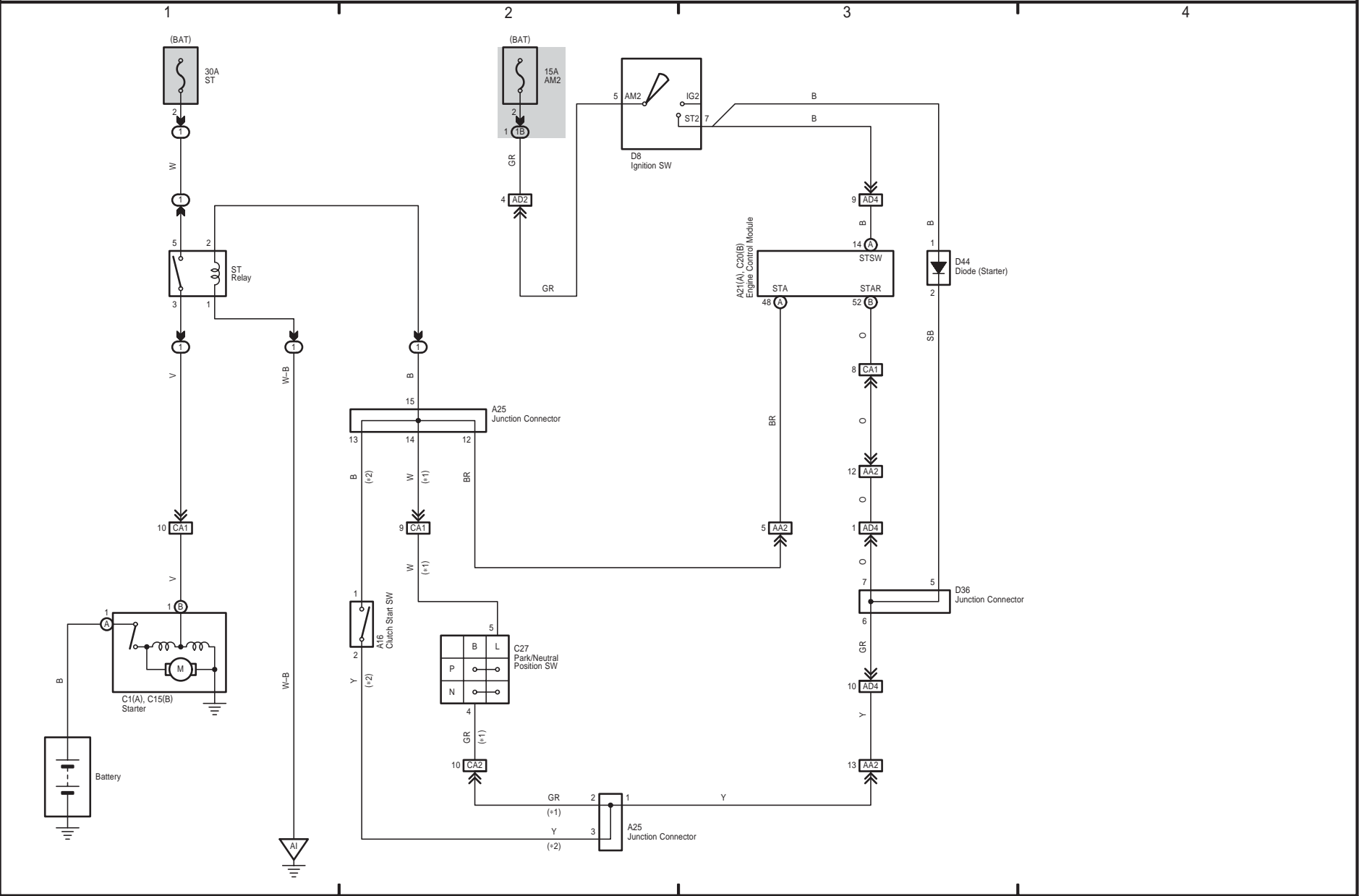




2 YARIS

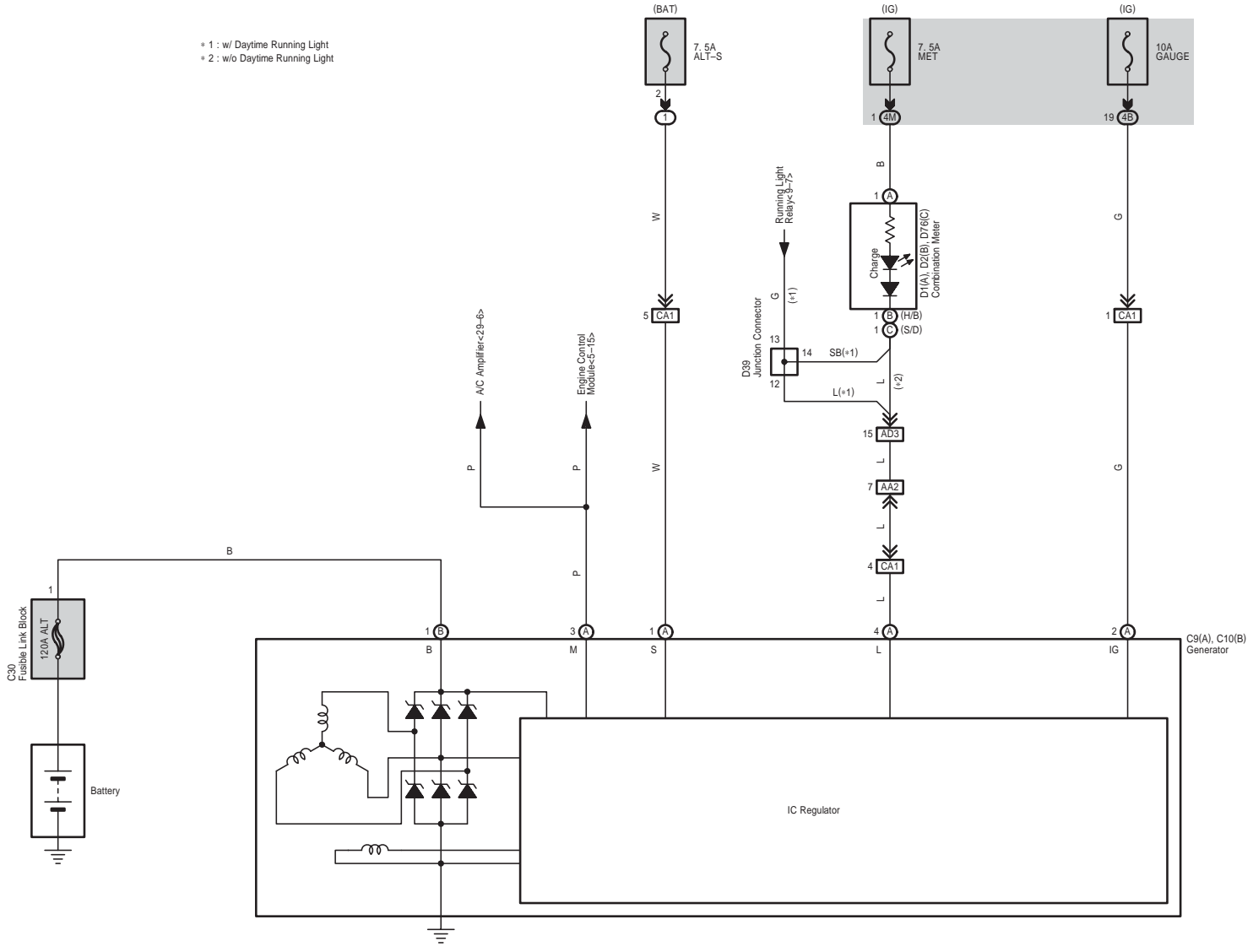
Starting

+ 1 : A/T
+ 2 : M/T

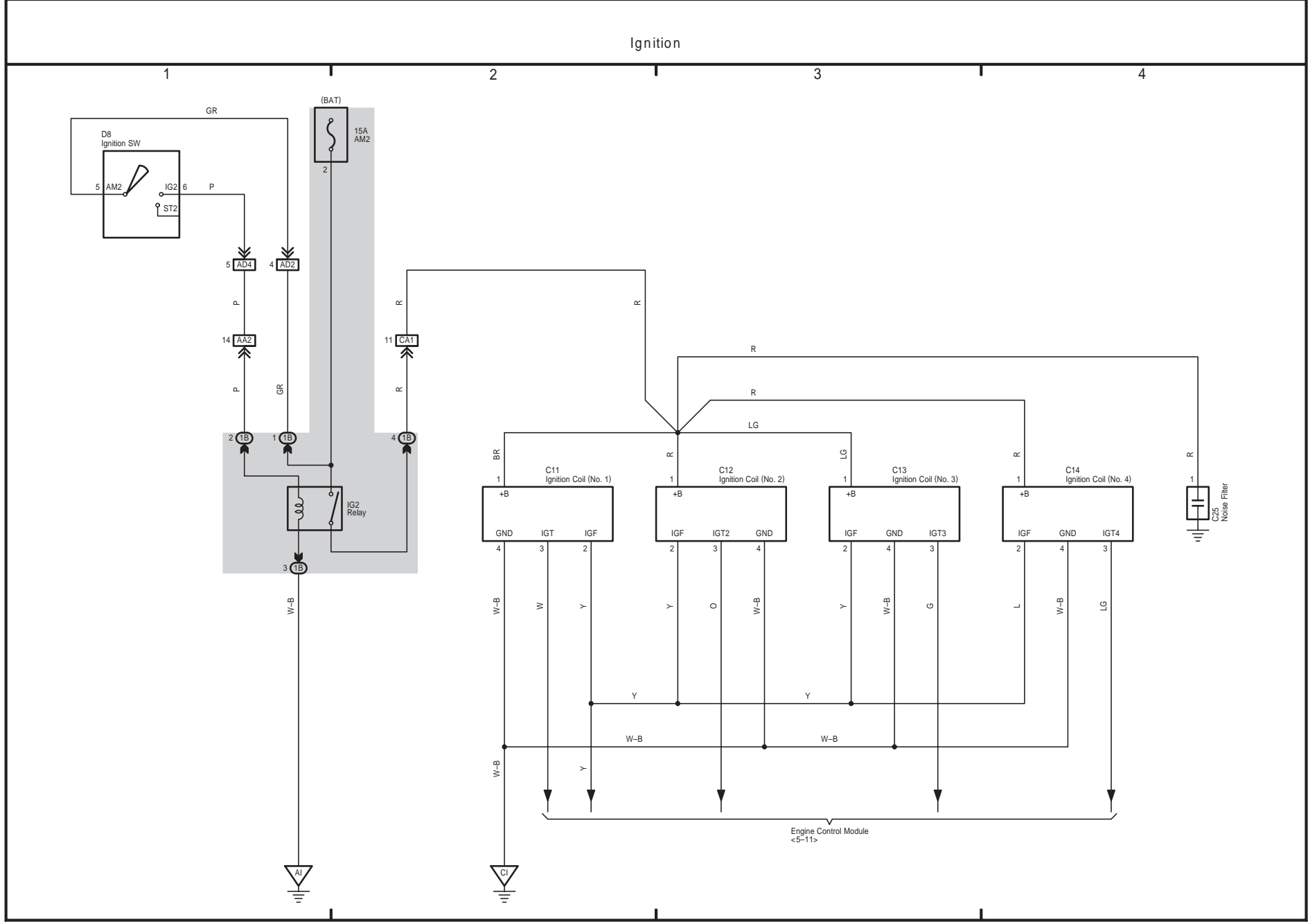


Charging

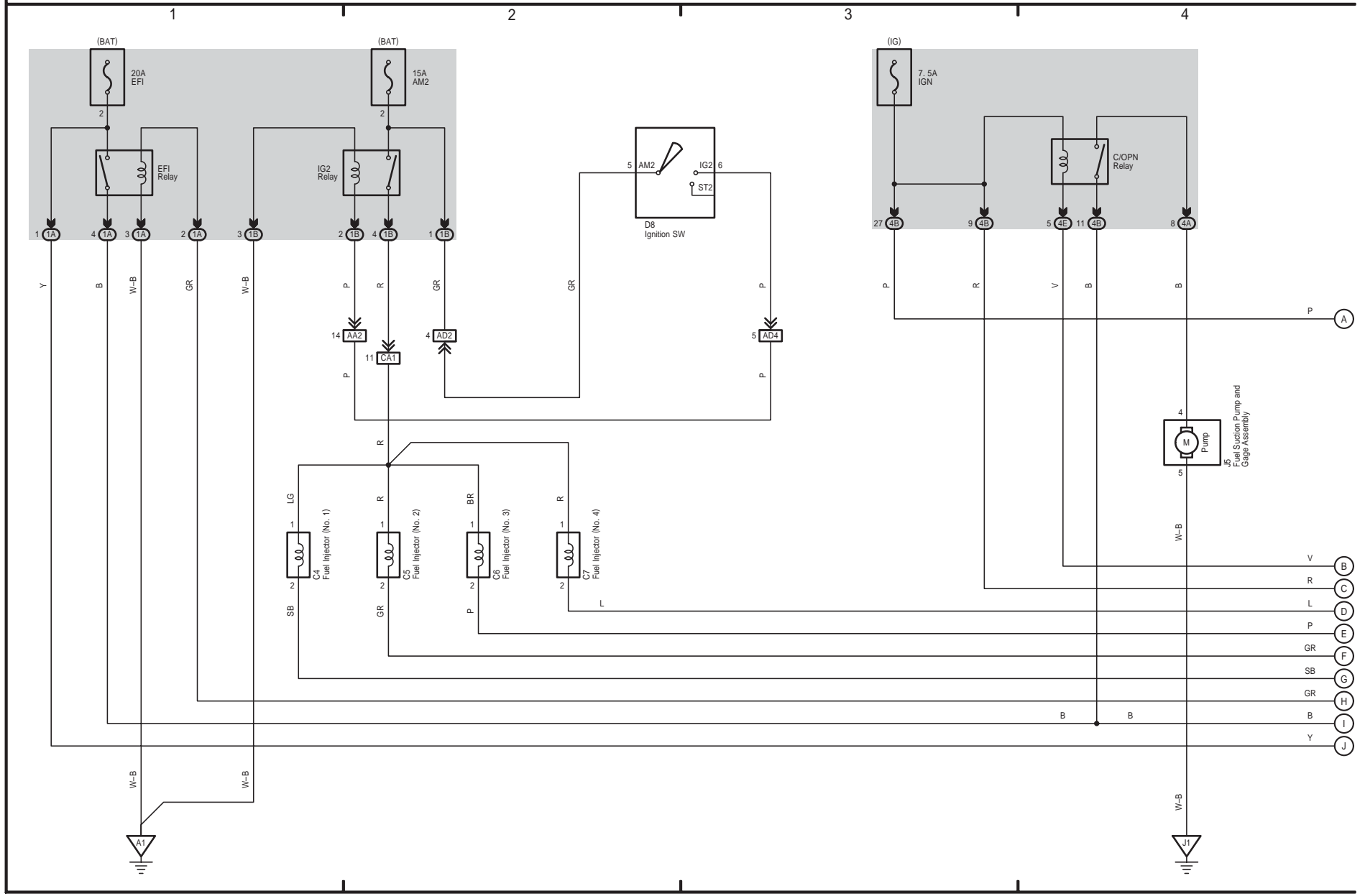
- * 1 : w/ Daytime Running Light
- * 2 : w/o Daytime Running Light



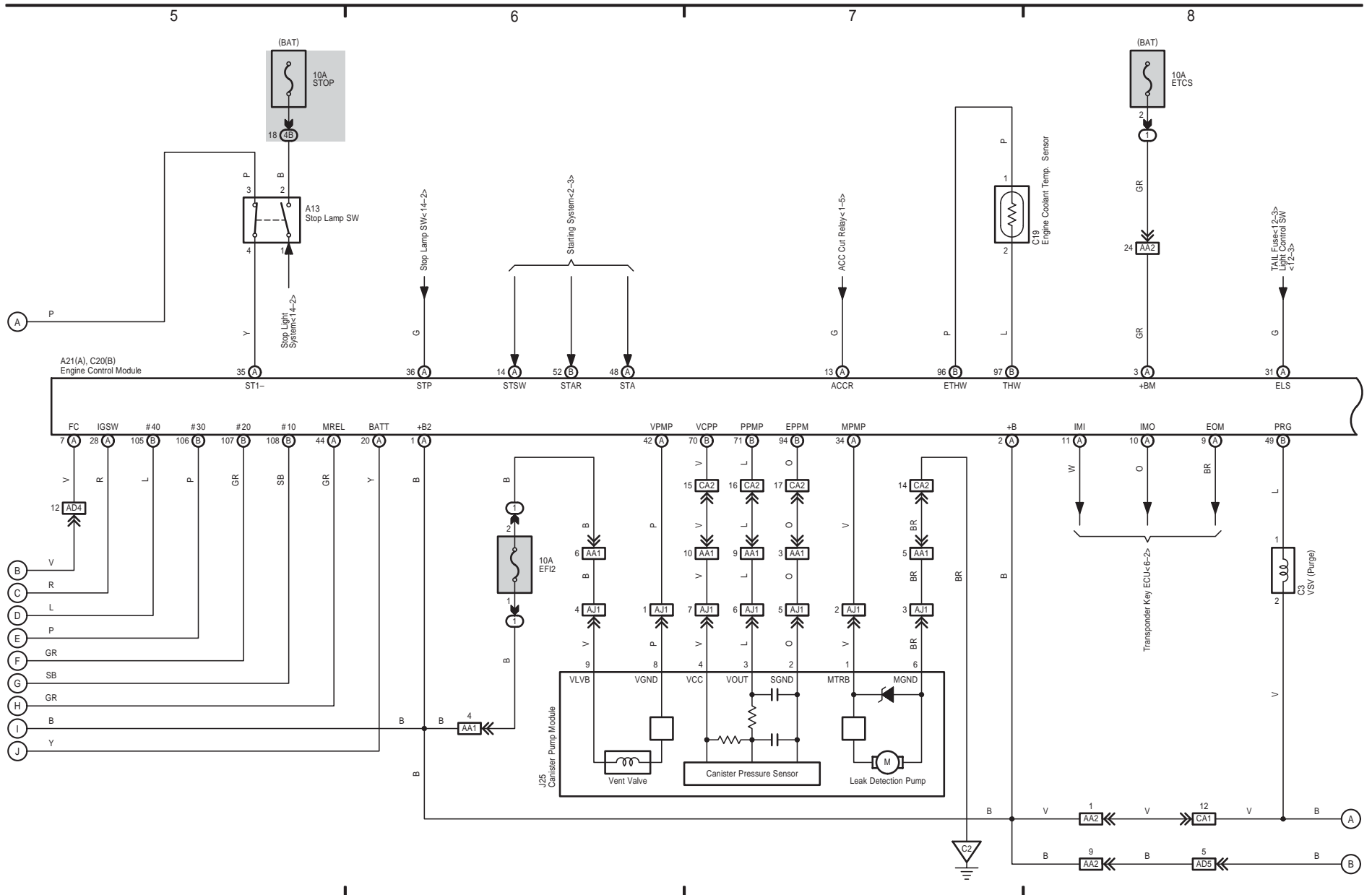
4 YARIS



Engine Control



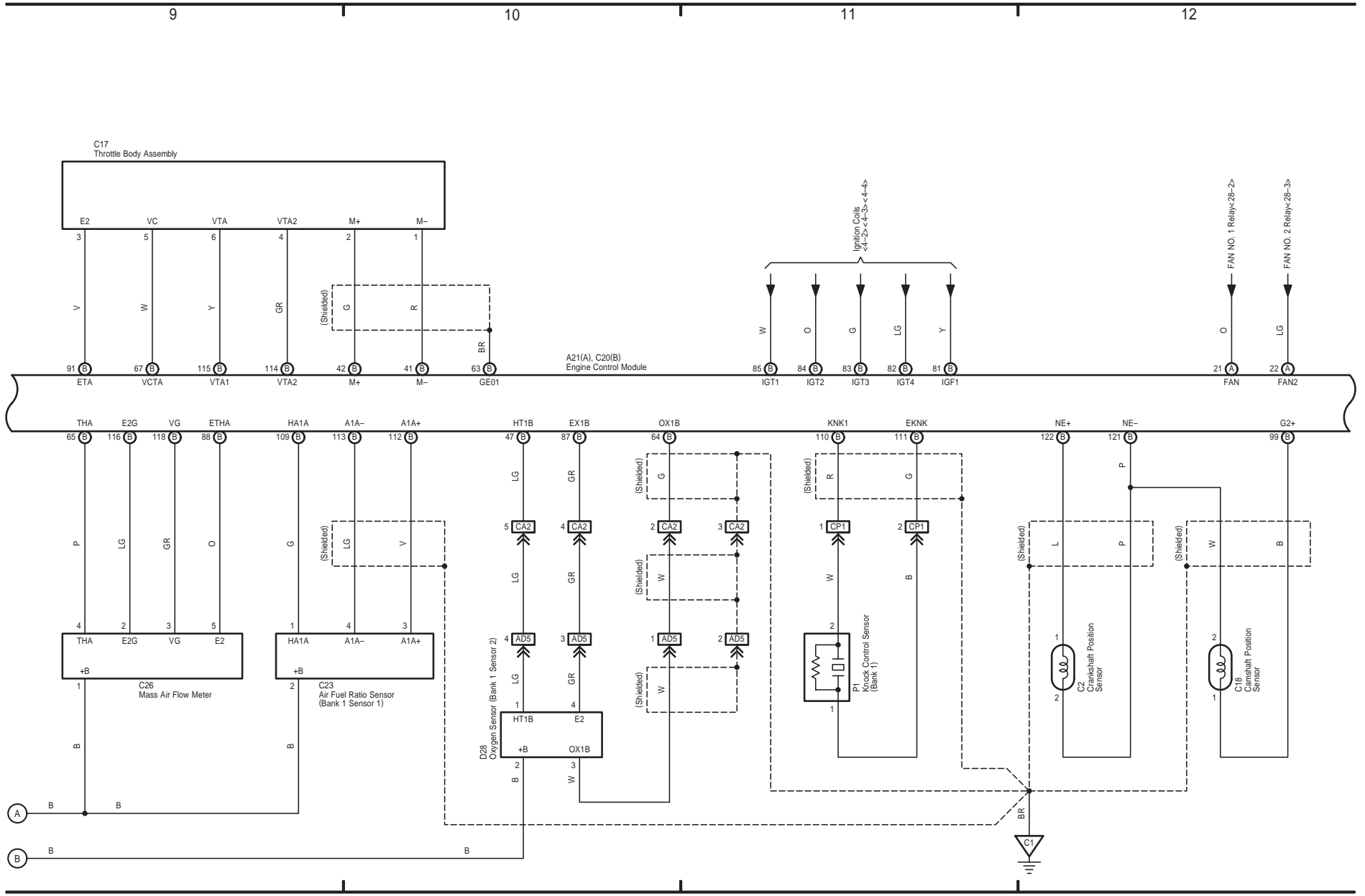
Engine Control



YARIS (EM01V0U)

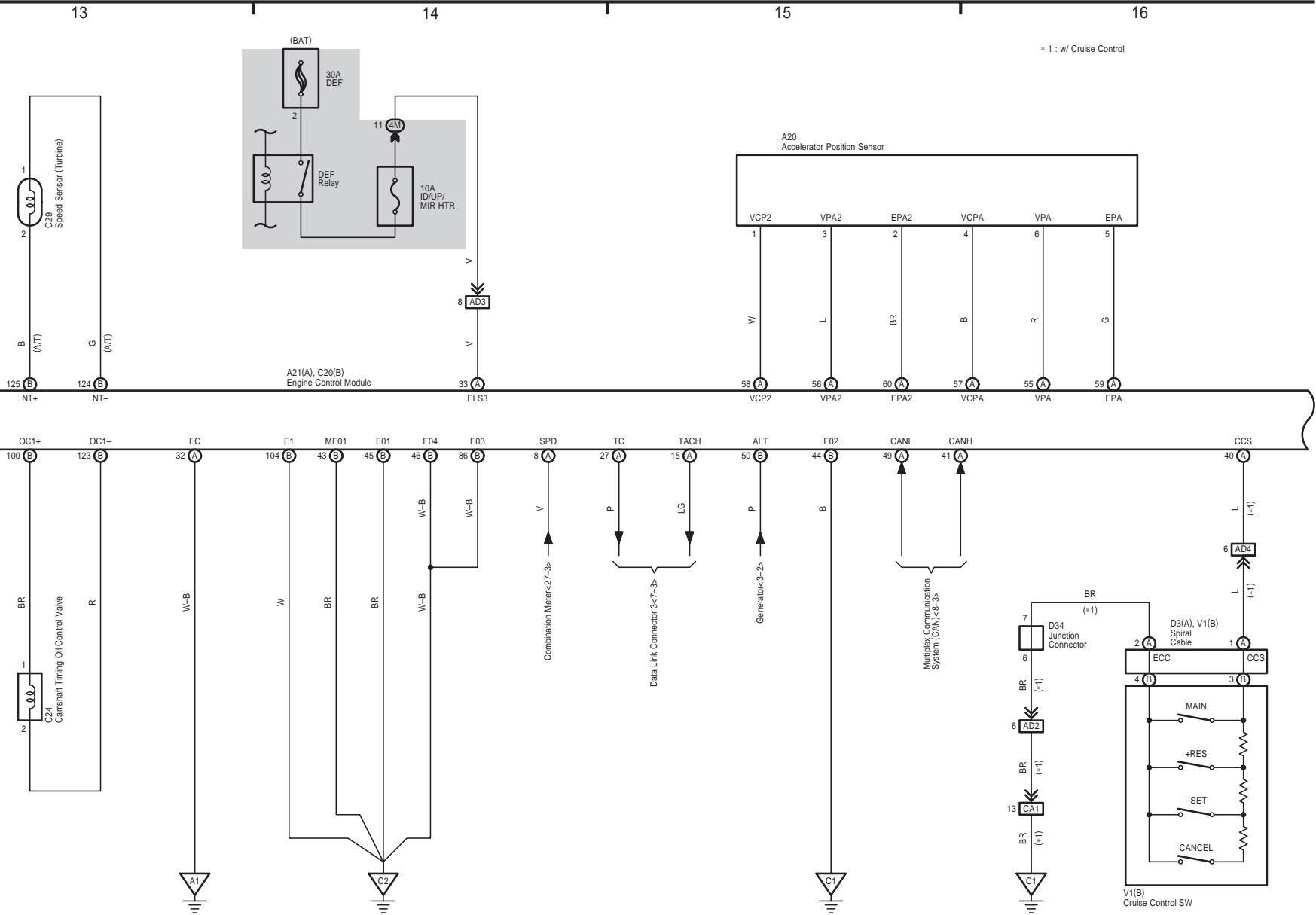


Engine Control



Engine Control

Cruise Control

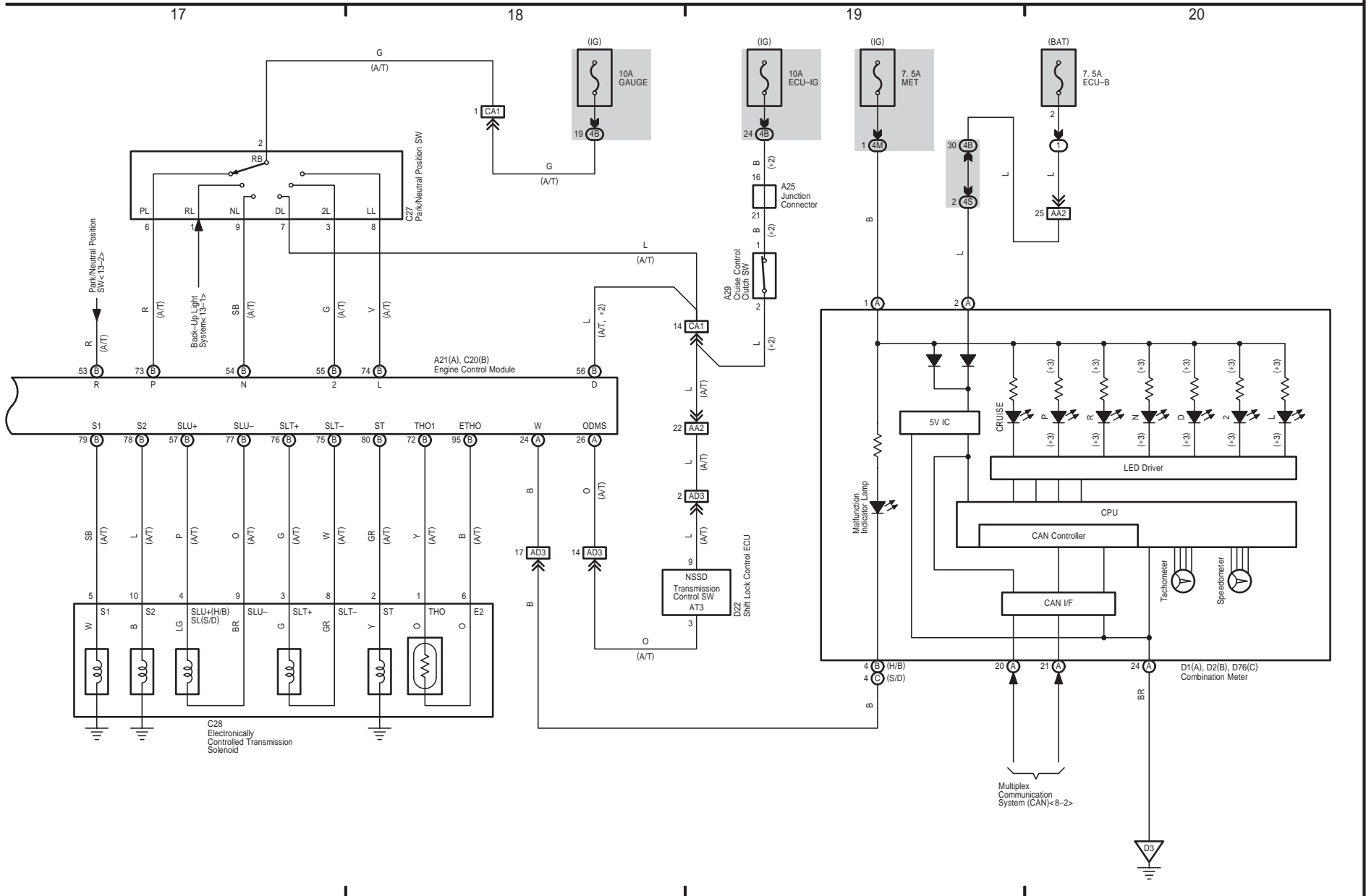


* 1 : w/ Cruise Control

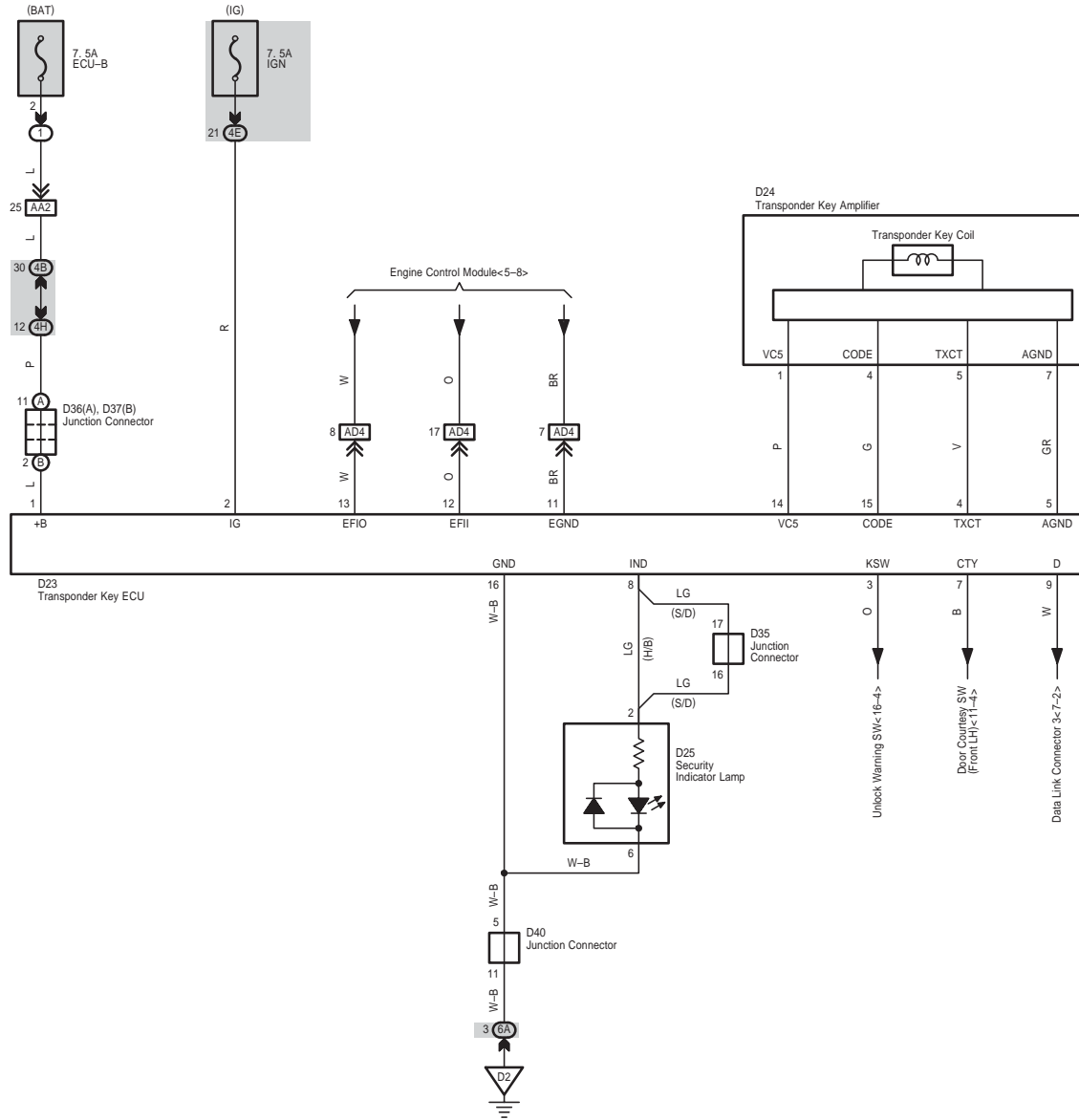
5 YARIS (Cont' d)

Electronically Controlled Transmission and A/T Indicator

* 2 : S/D M/T w/ Cruise Control
* 3 : S/D A/T



Engine Immobiliser System

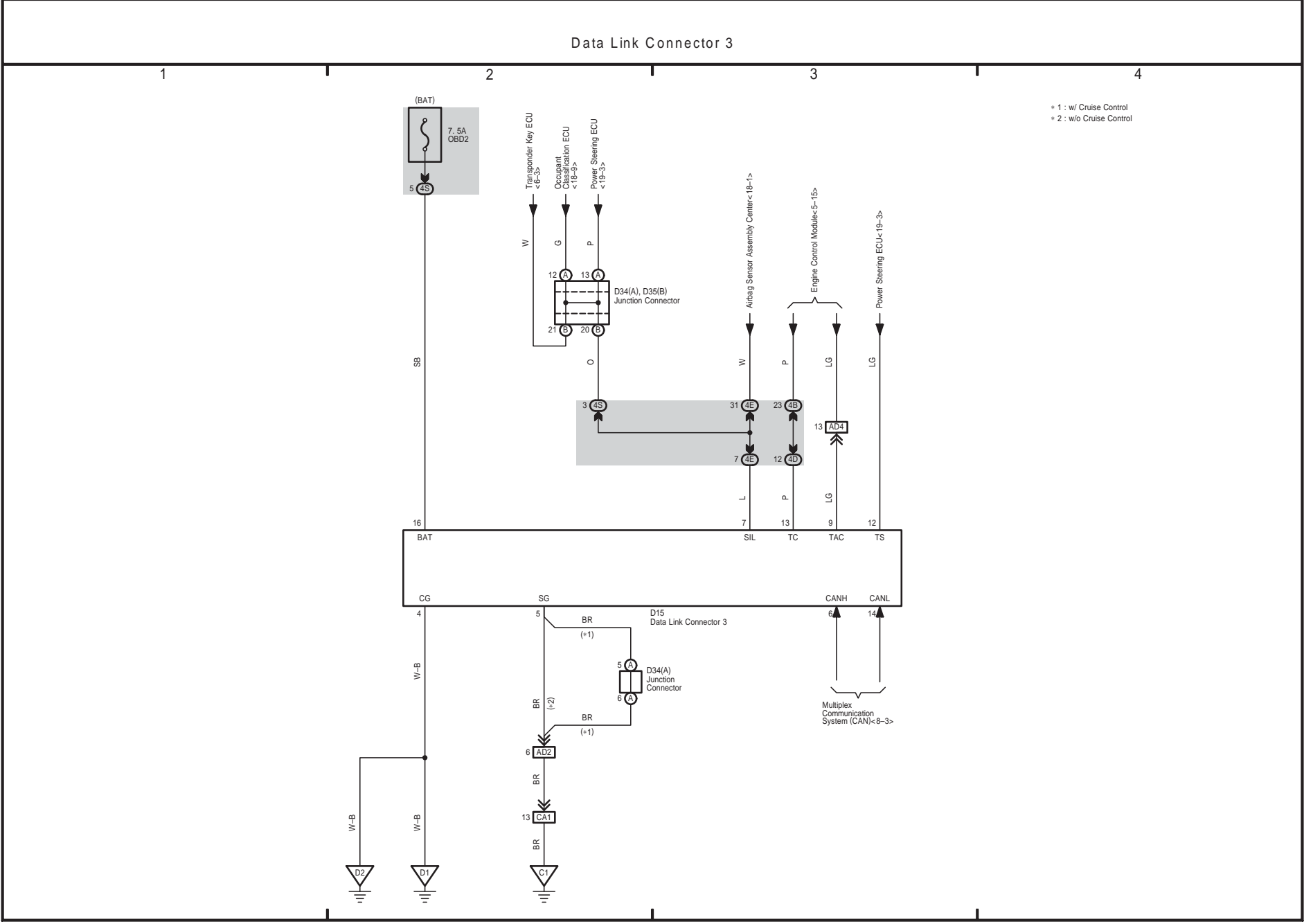


YARIS (EM01V0U)

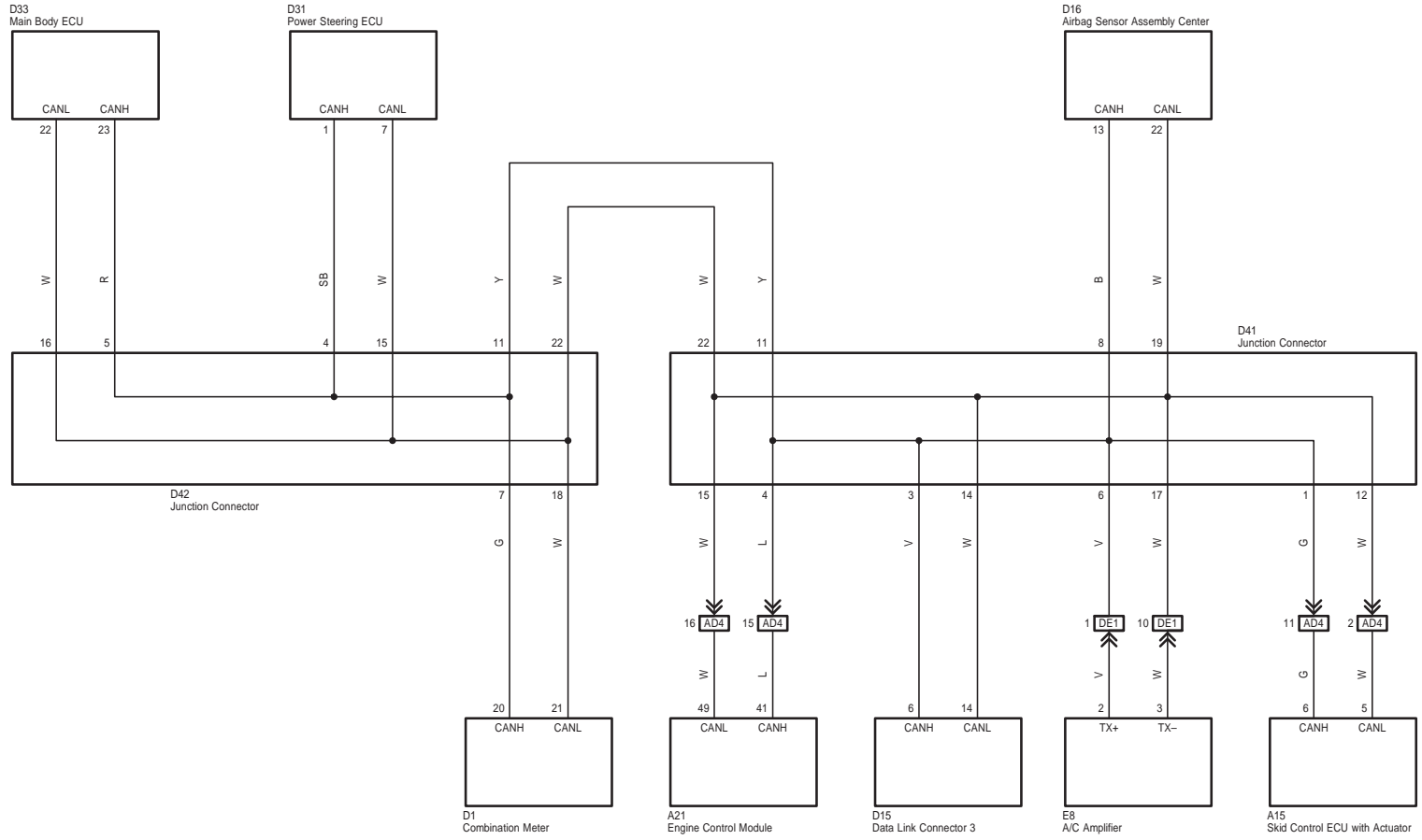


7 YARIS

M OVERALL ELECTRICAL WIRING DIAGRAM

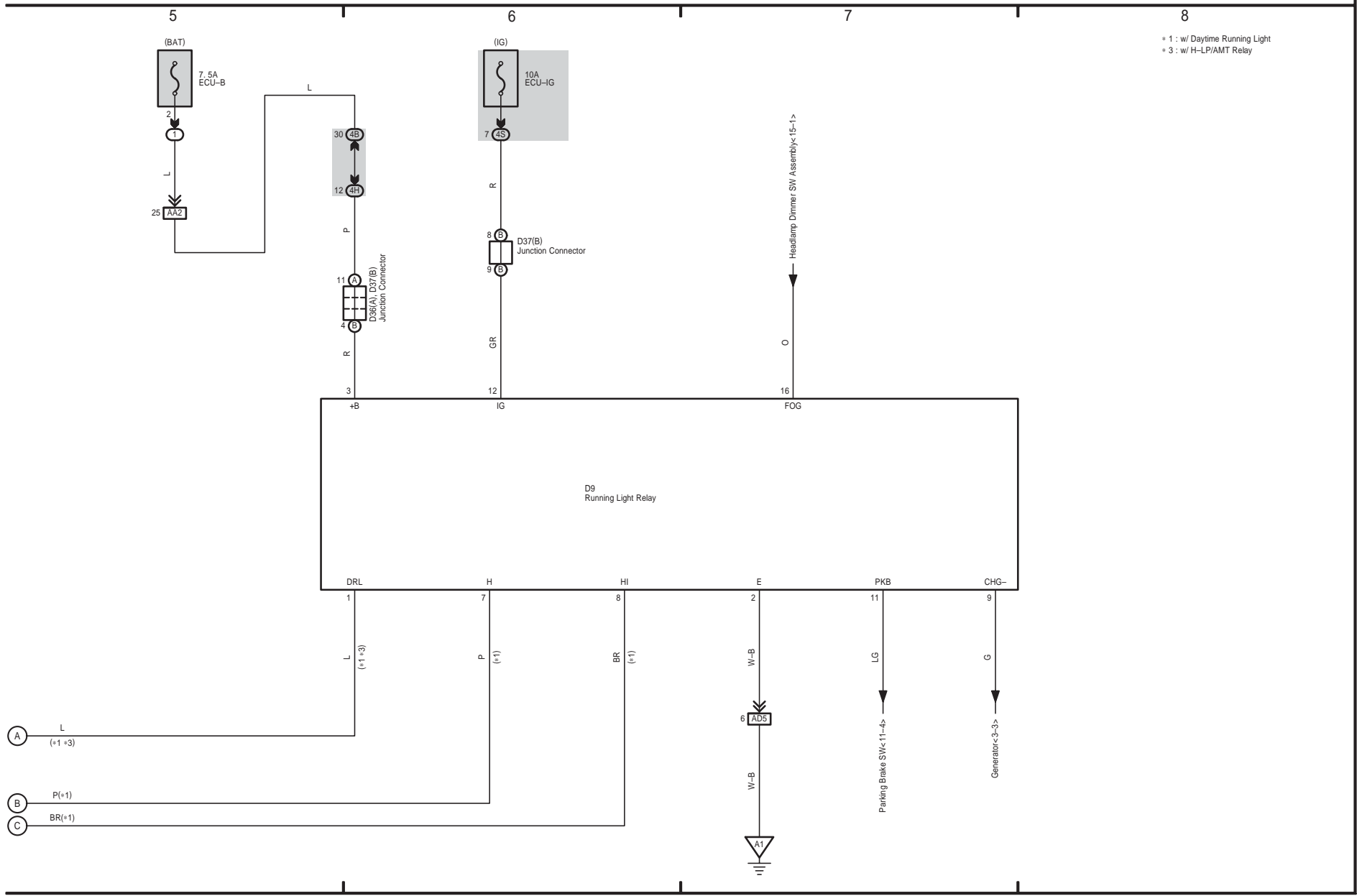


Multiplex Communication System (CAN)



YARIS (EM01V0U)

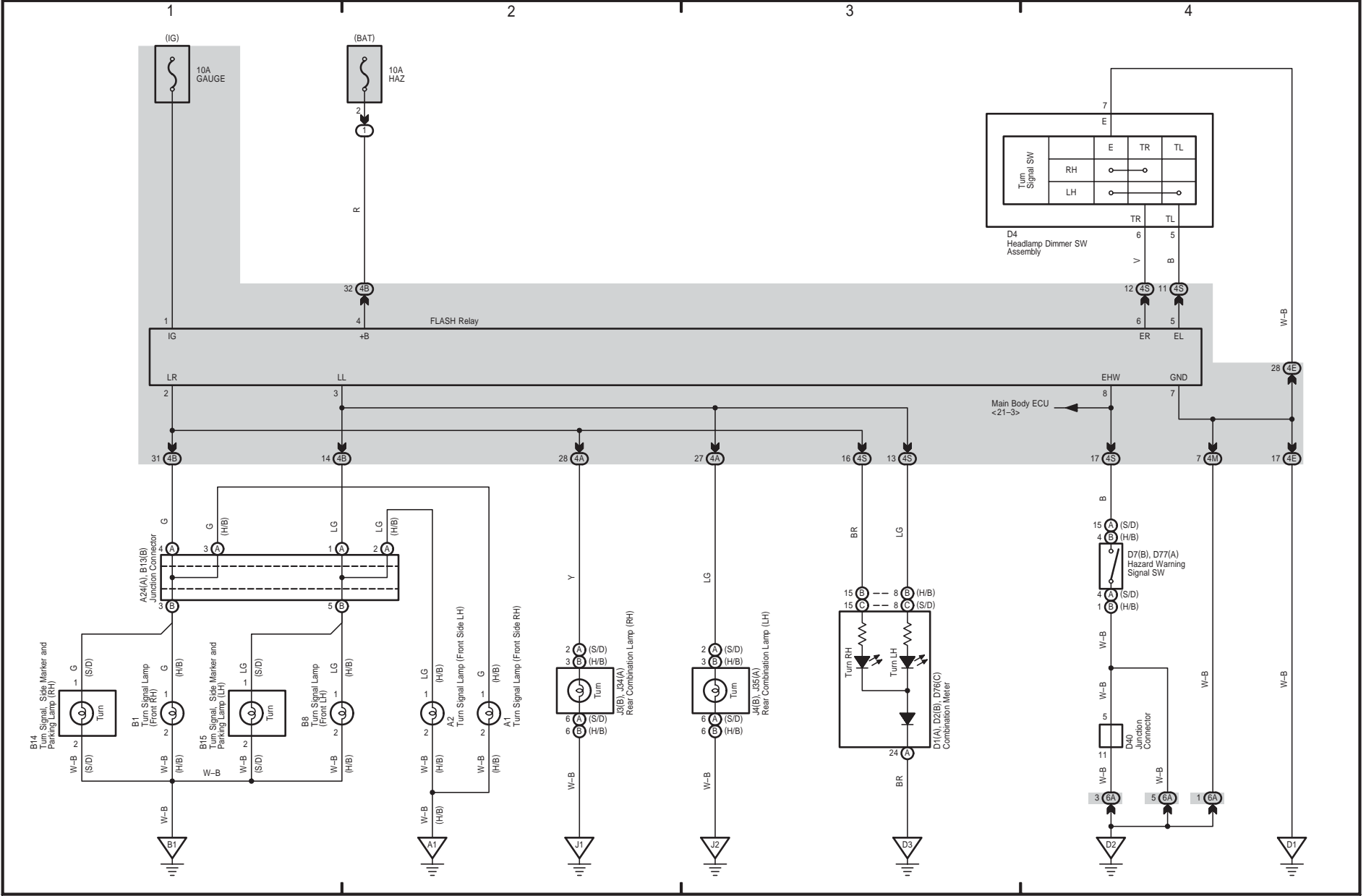
Headlight



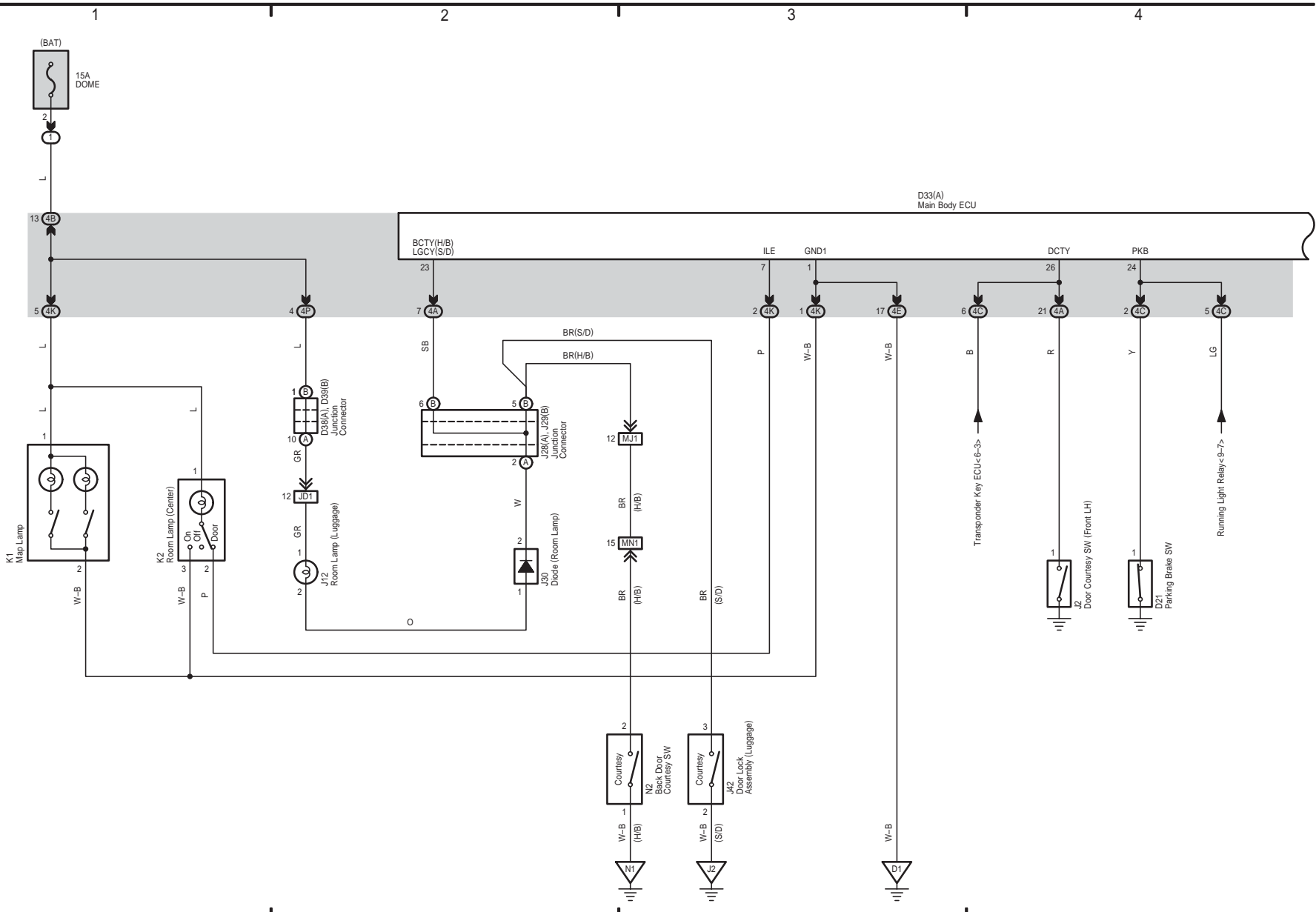
YARIS (EM01V0U)



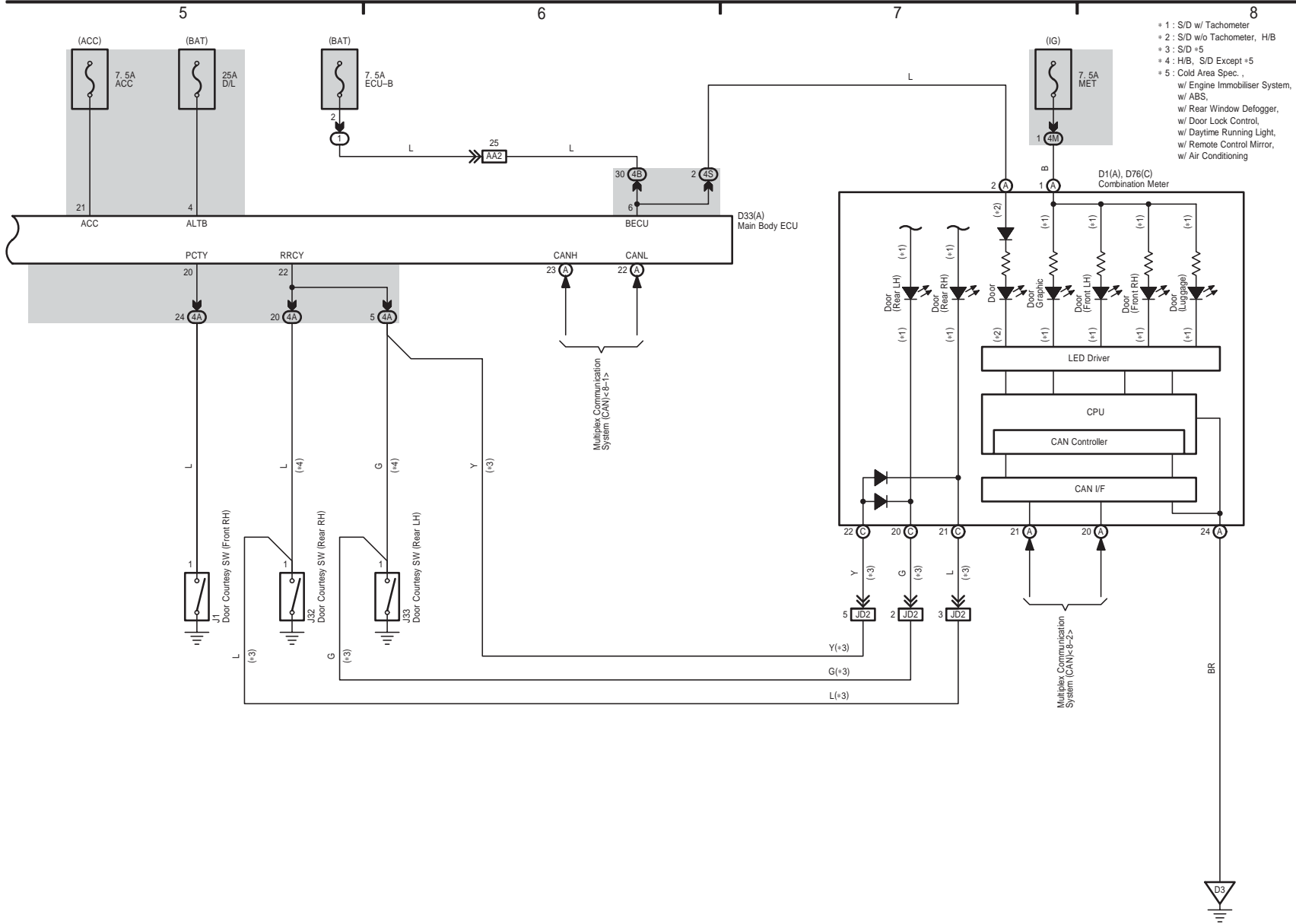
Turn Signal and Hazard Warning Light



Interior Light

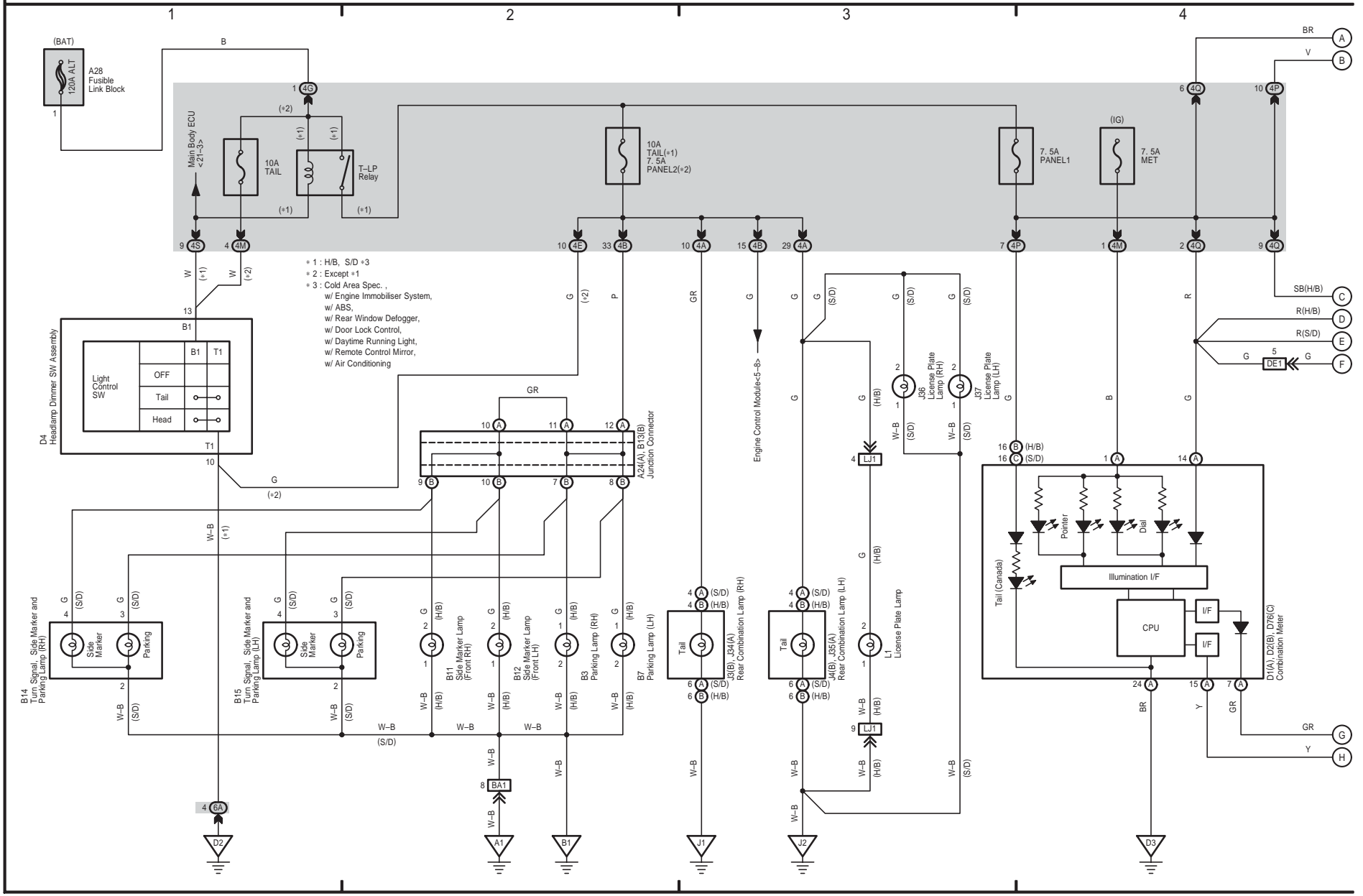


Interior Light

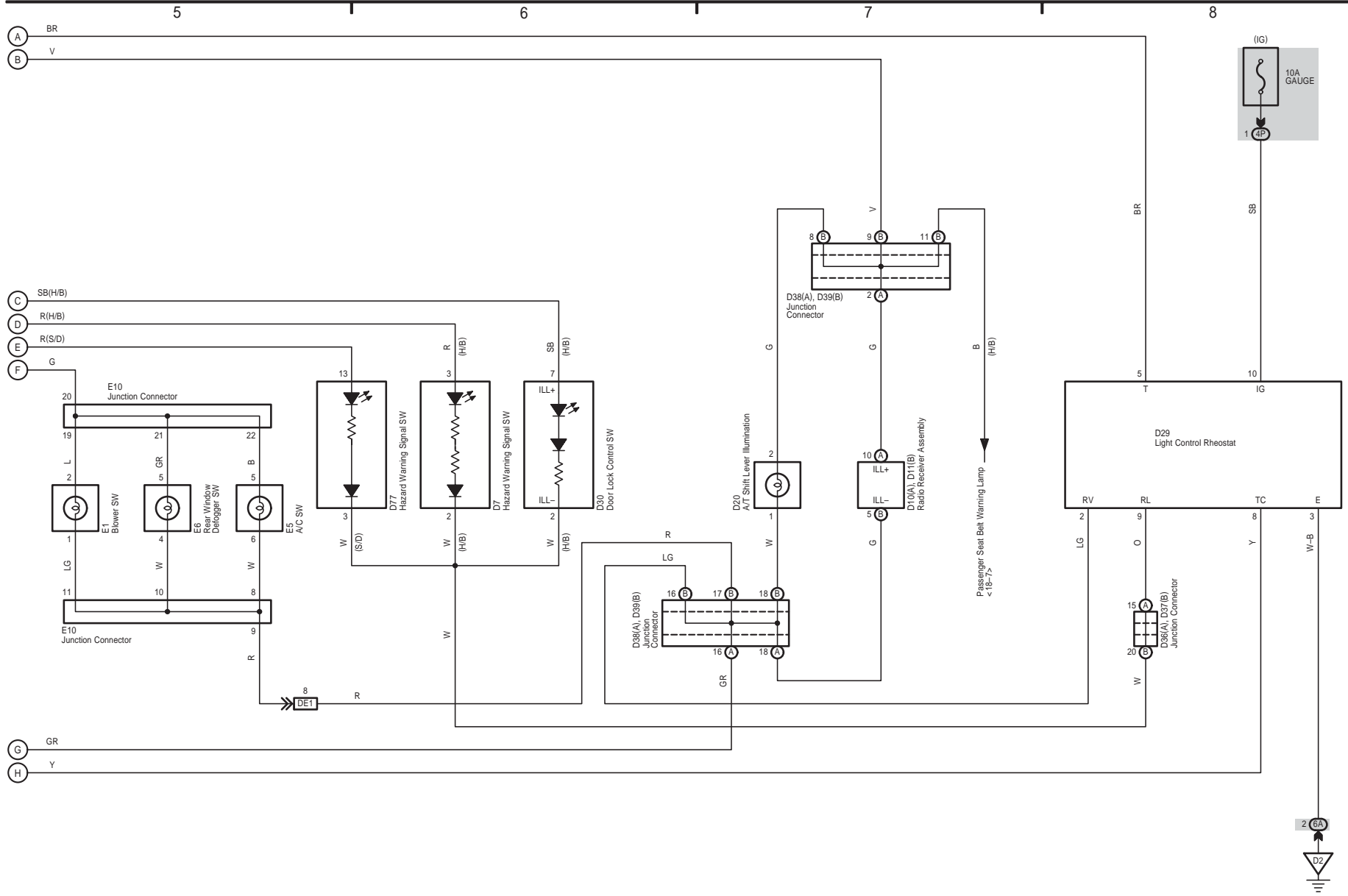


YARIS (EM01V0U)

Taillight and Illumination



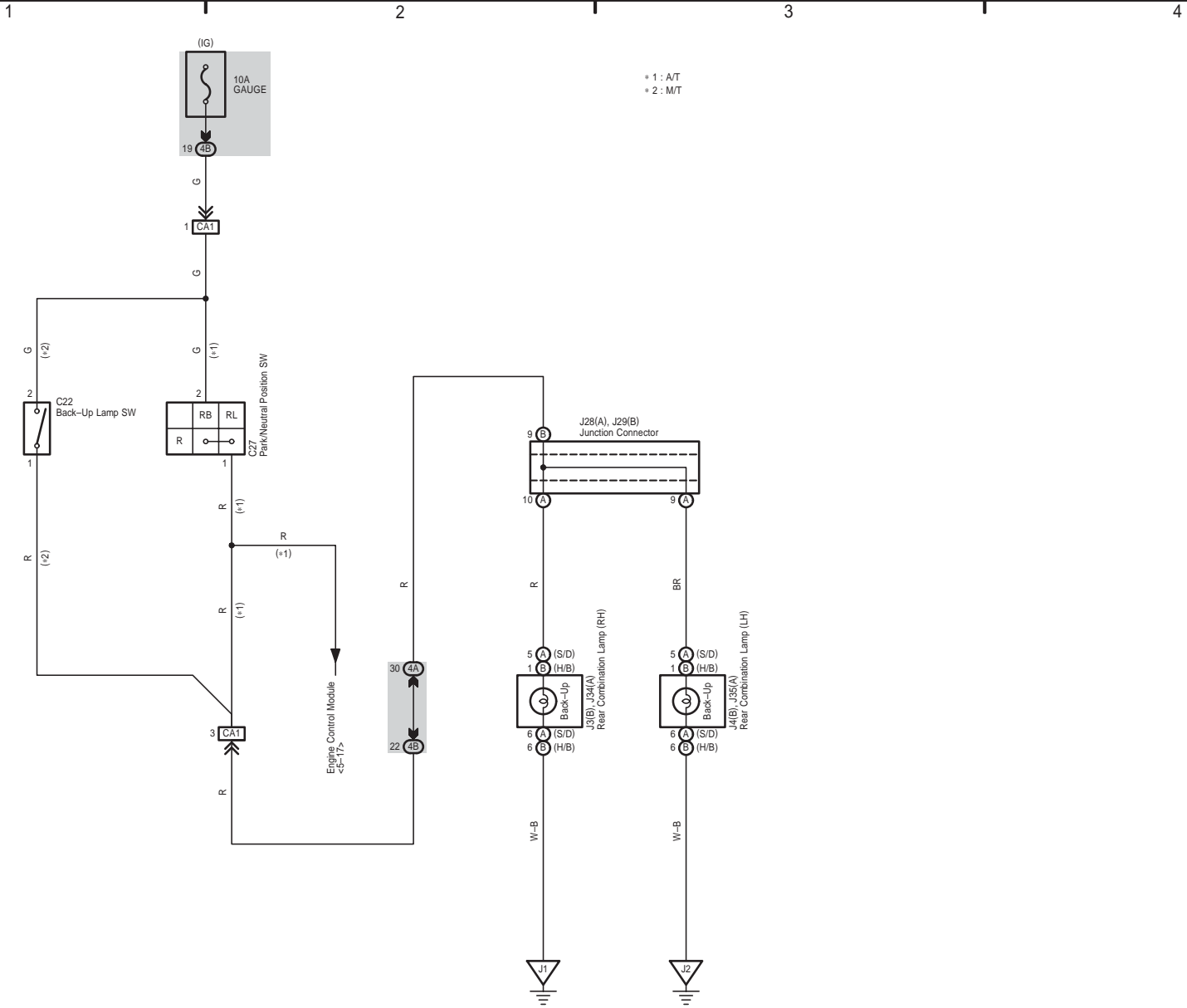
Taillight and Illumination



YARIS (EM01V0U)

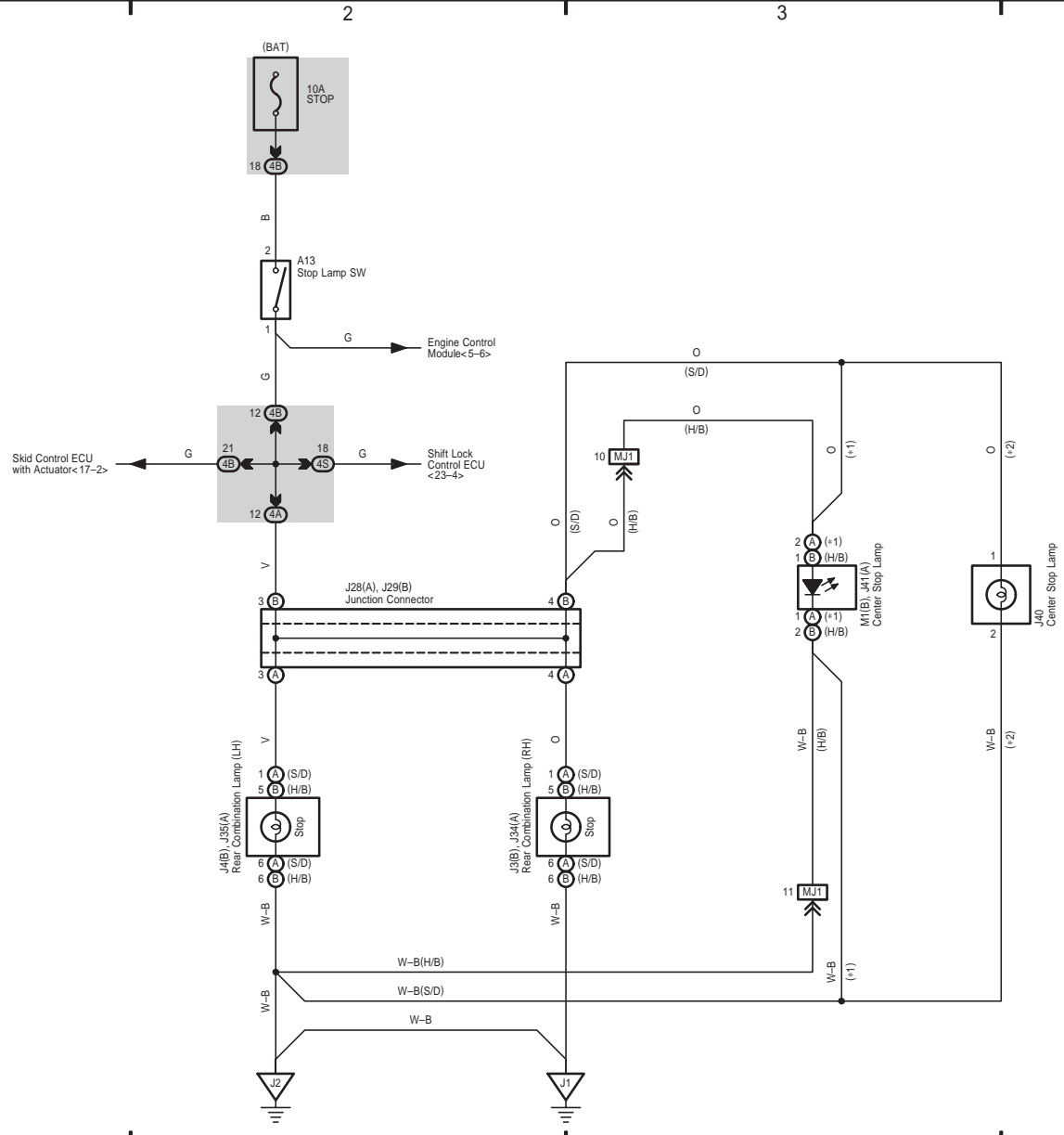


Back-Up Light



Stop Light

* 1 : S/D LED Type
 * 2 : S/D Bulb Type

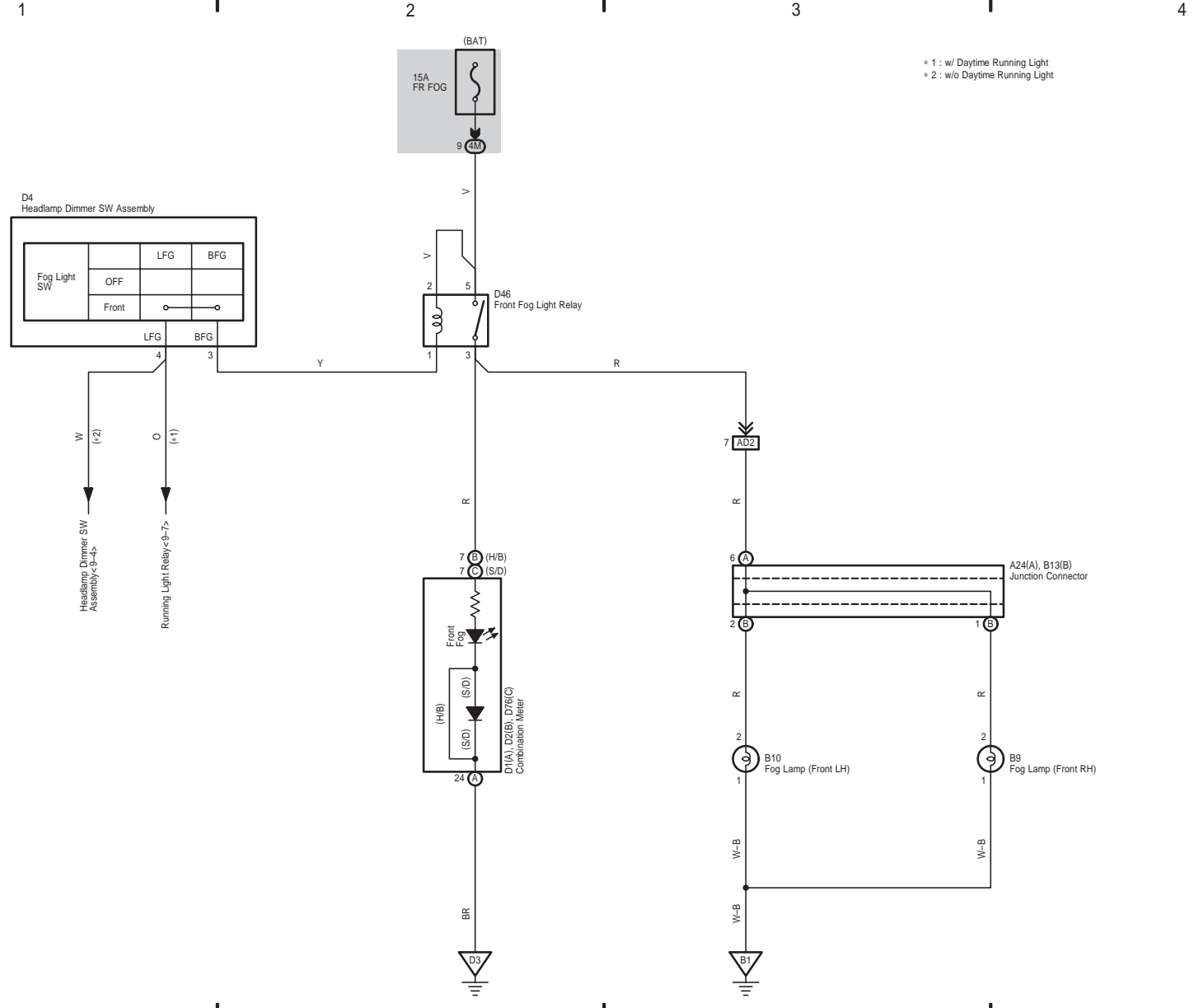


YARIS (EM01V0U)



15 YARIS

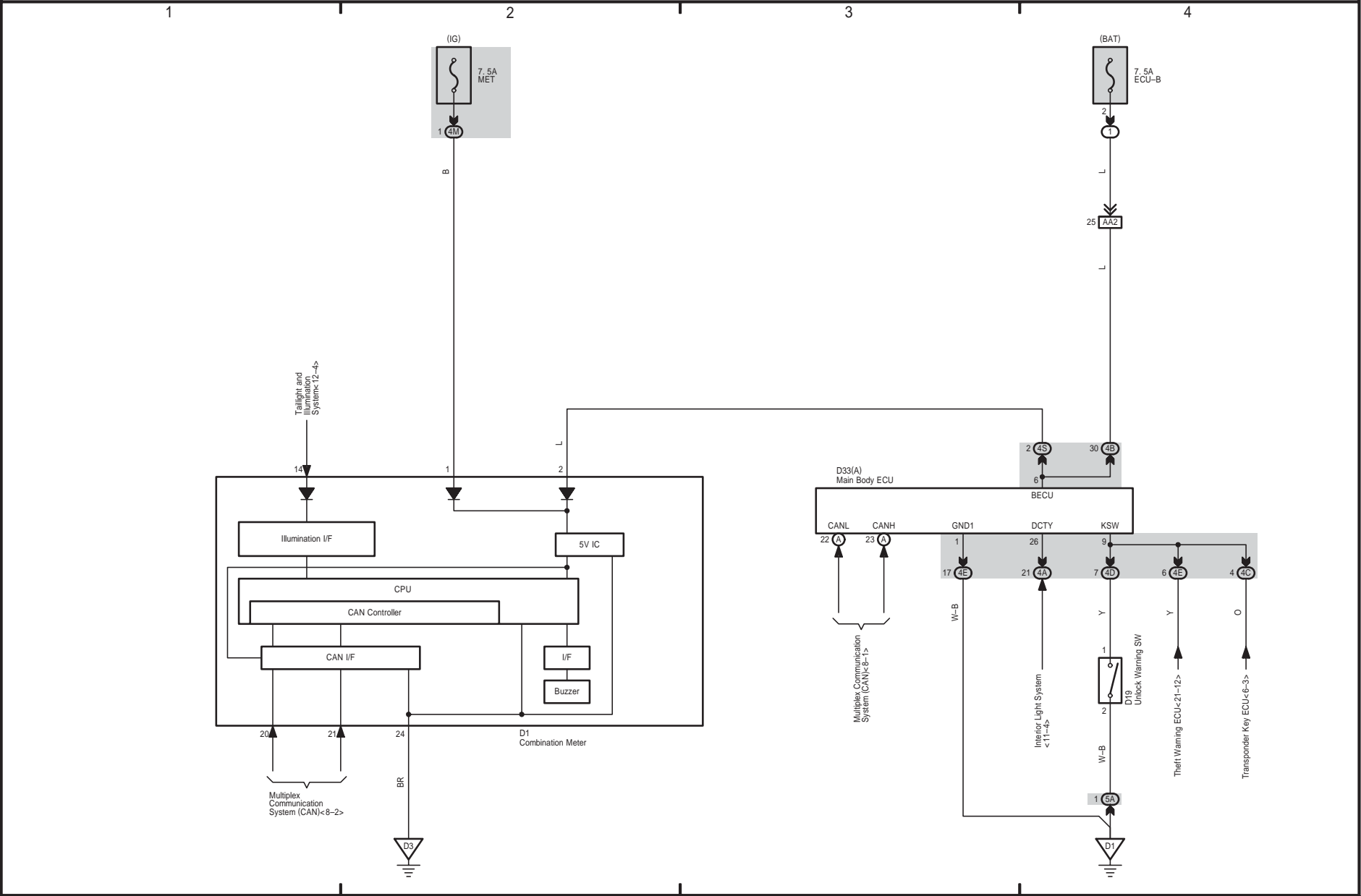
Front Fog Light

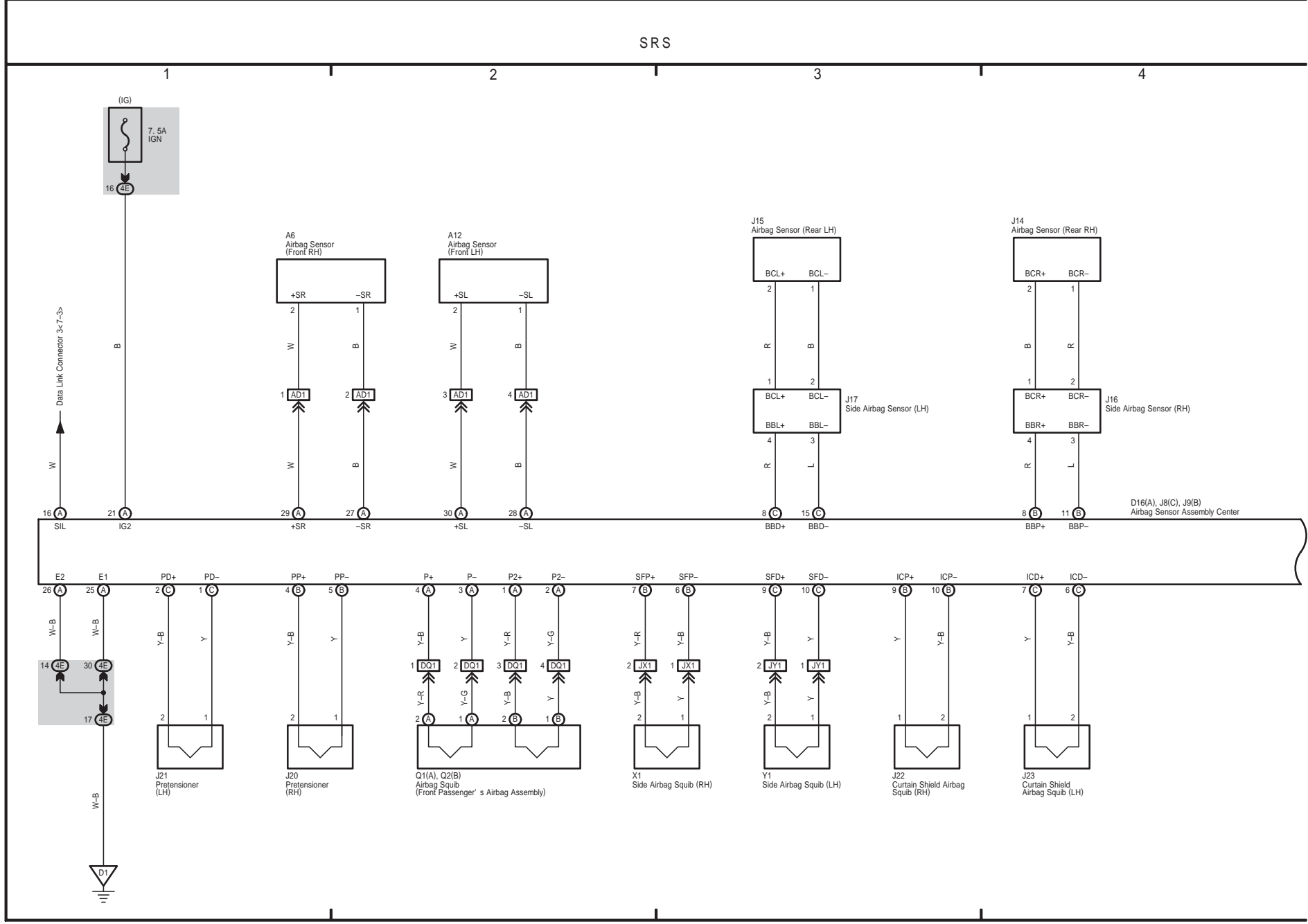


Key Reminder and Light Reminder

YARIS (EM01V0U)

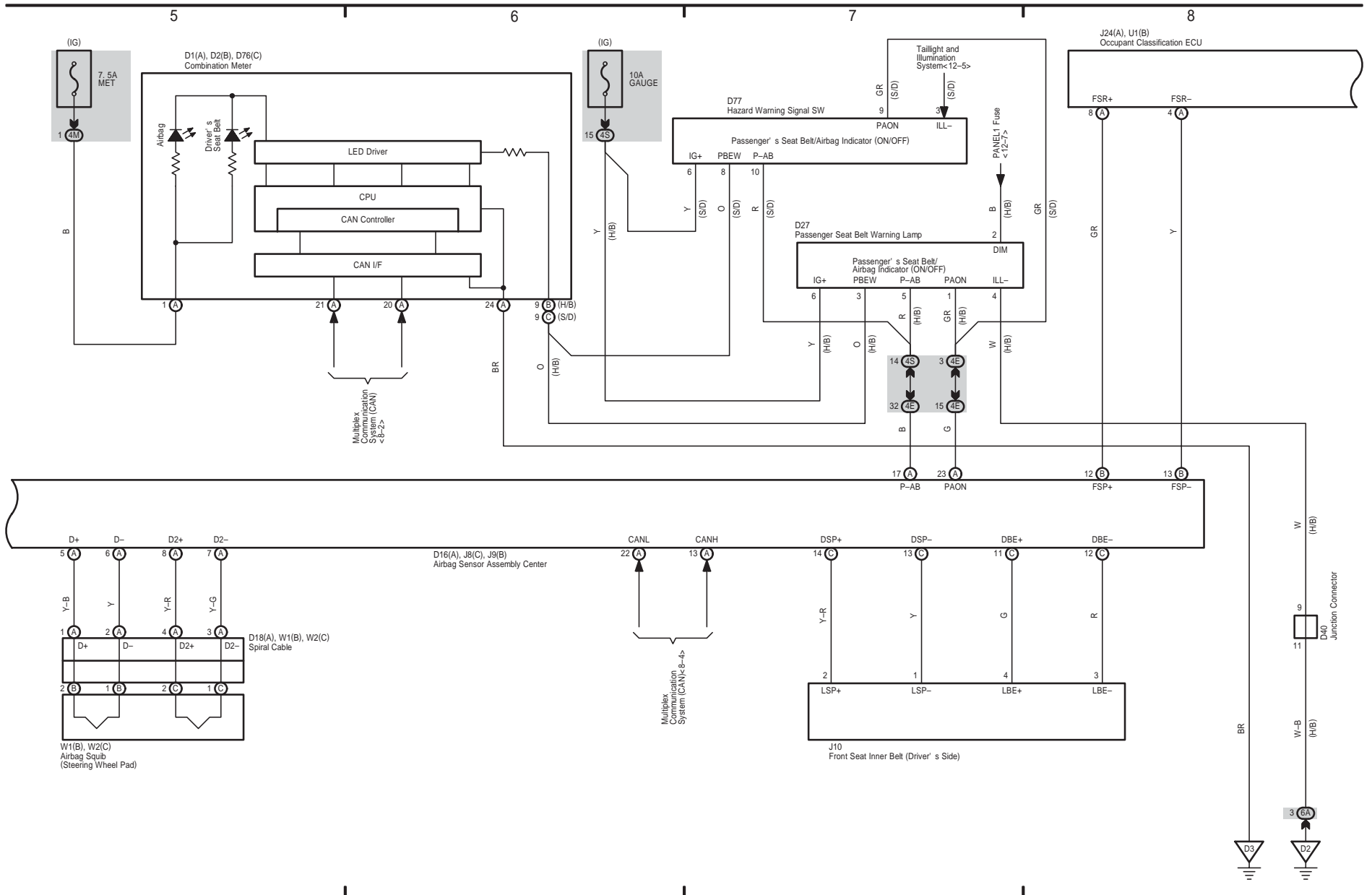
309





SRS

Seat Belt Warning

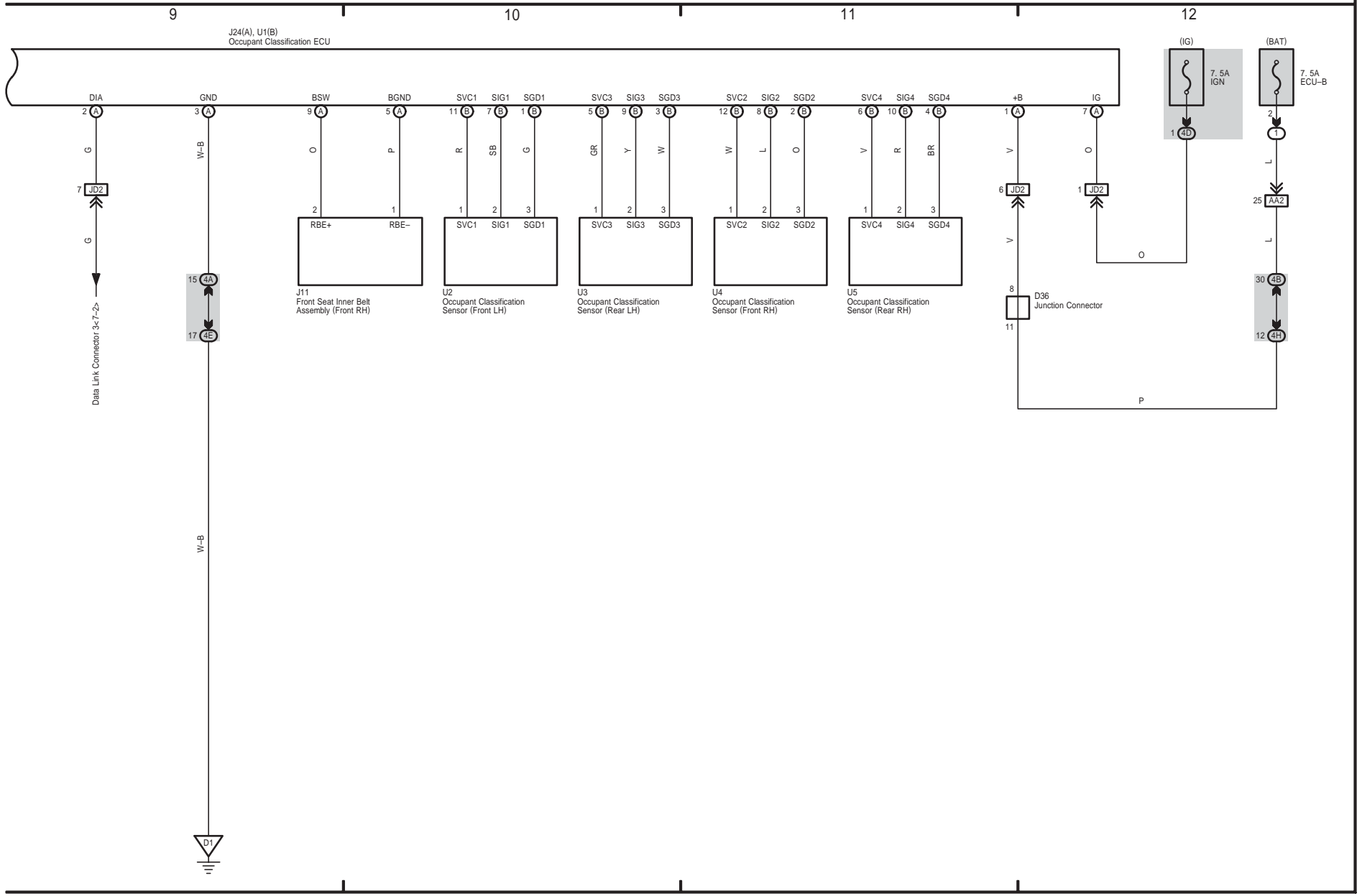


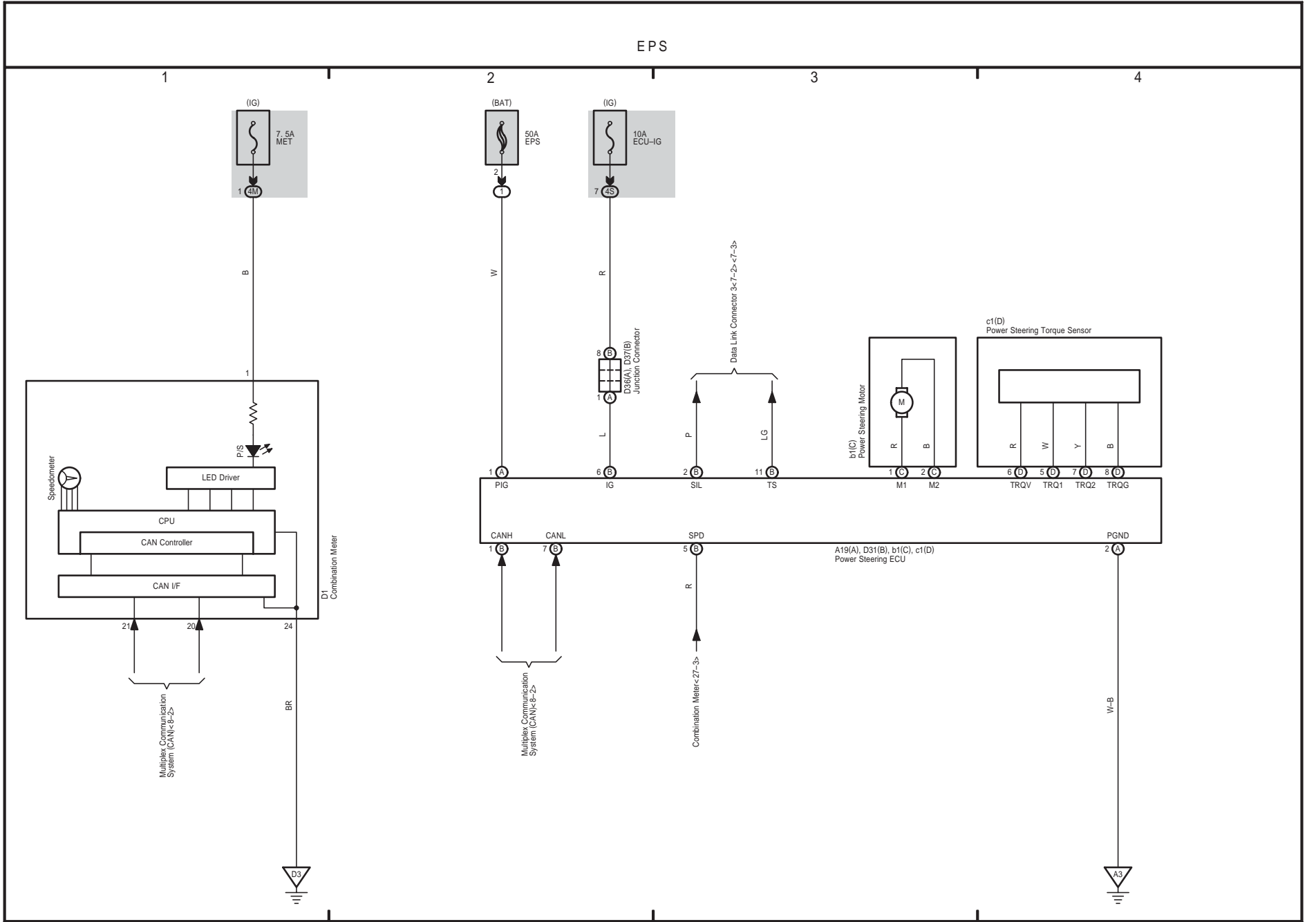
YARIS (EM01V0U)



18 YARIS (Cont' d)

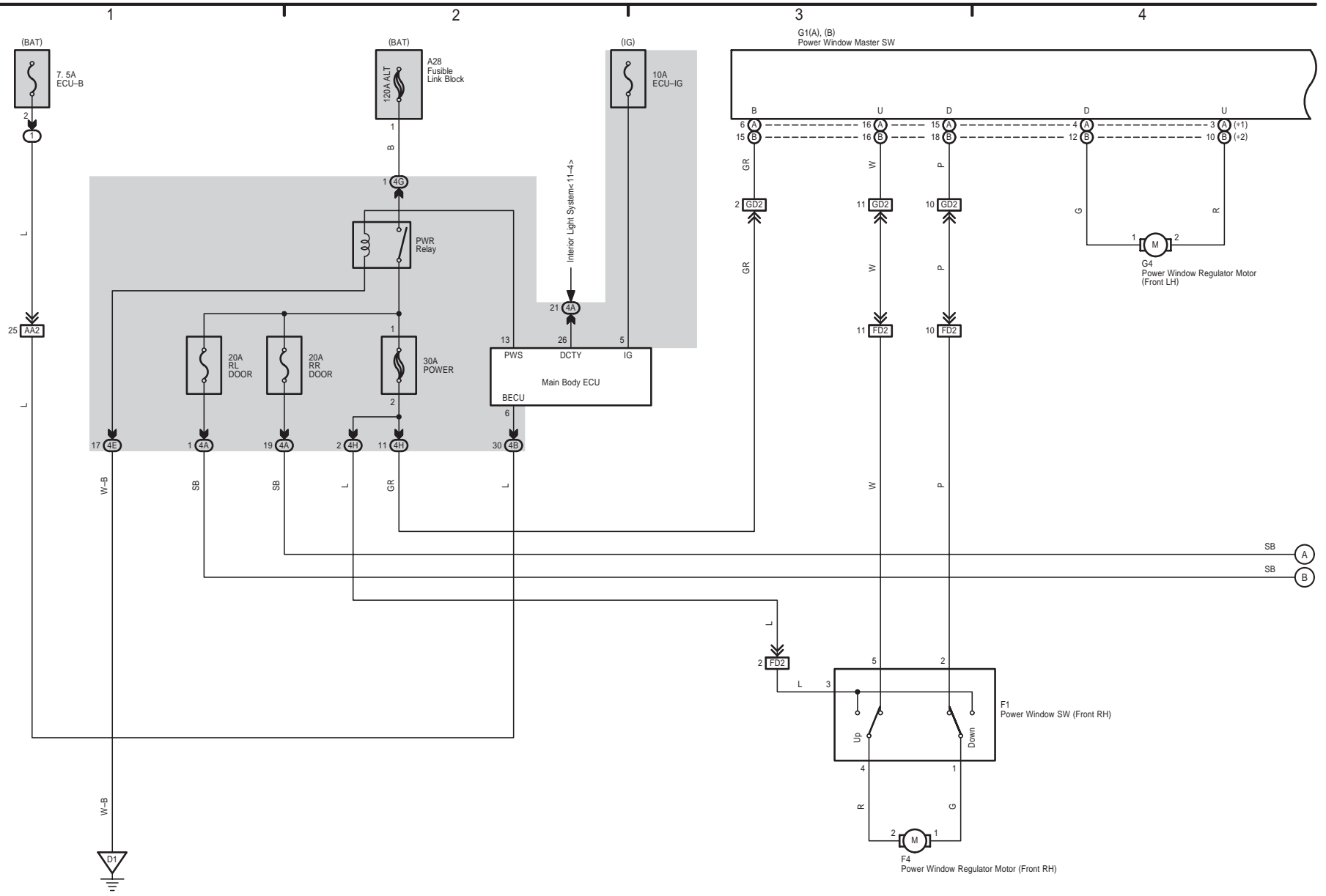
Seat Belt Warning



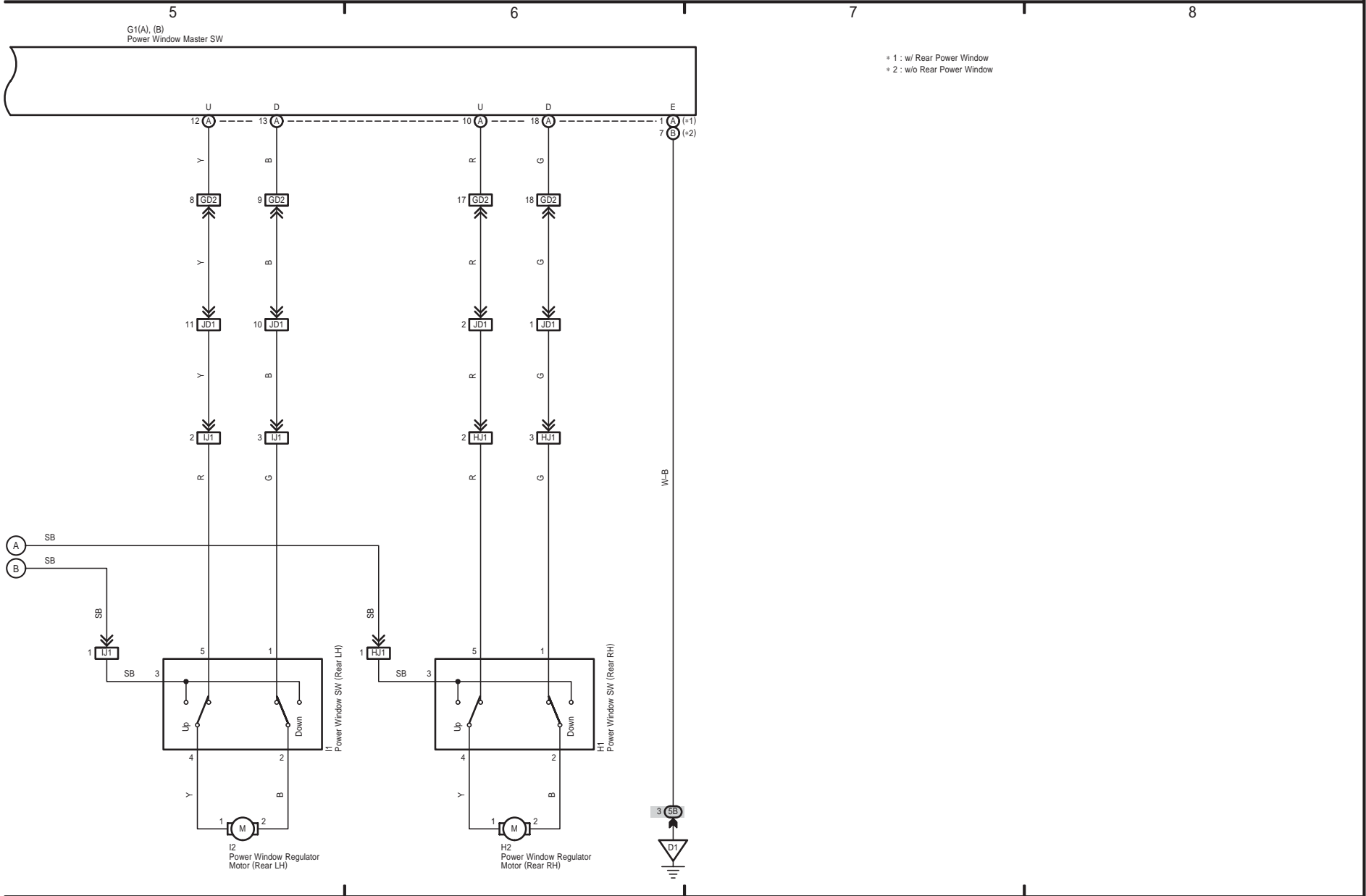


Power Window

* 1 : w/ Rear Power Window
* 2 : w/o Rear Power Window



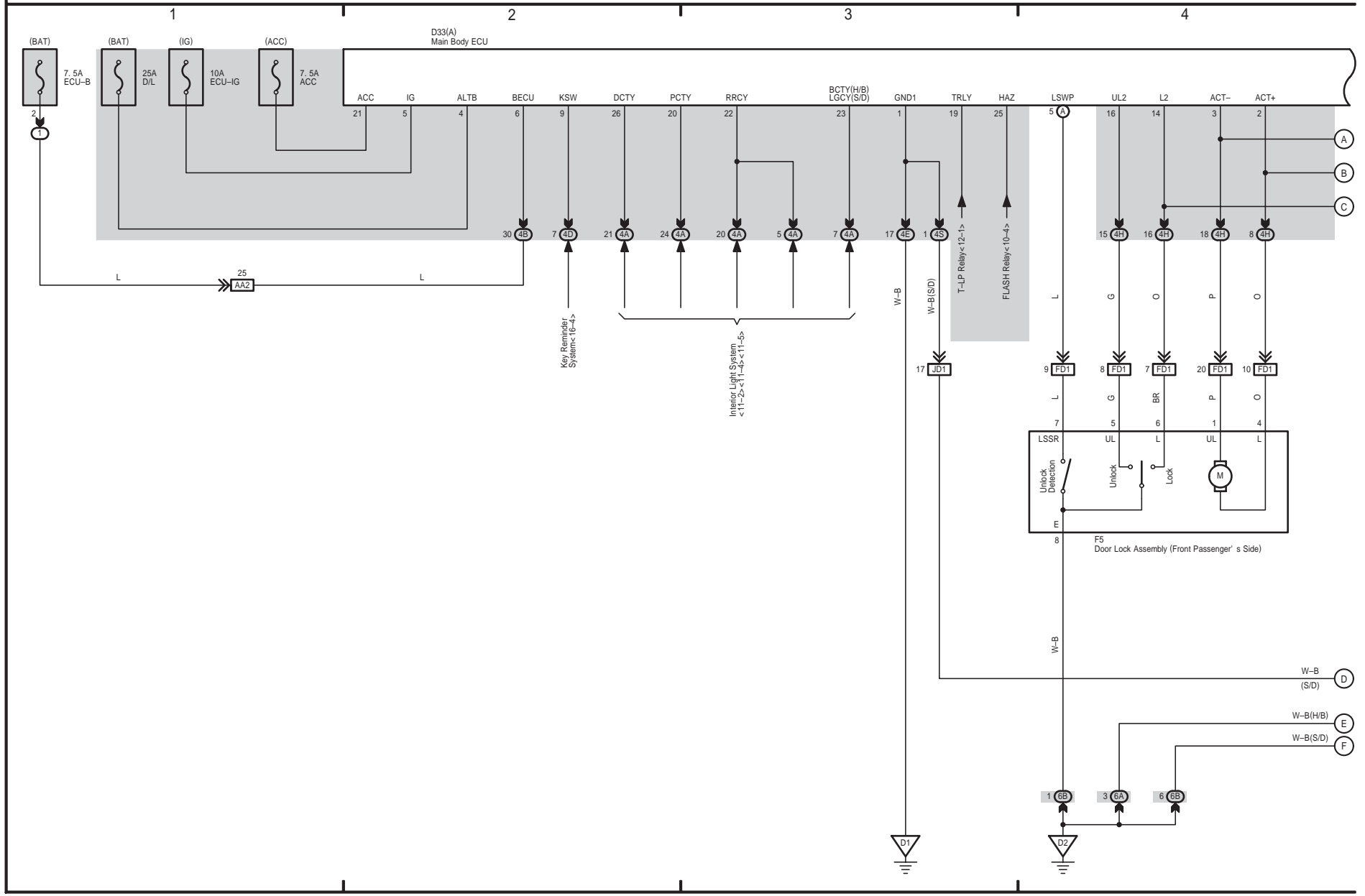
Power Window



YARIS (EM01V0U)



Door Lock Control

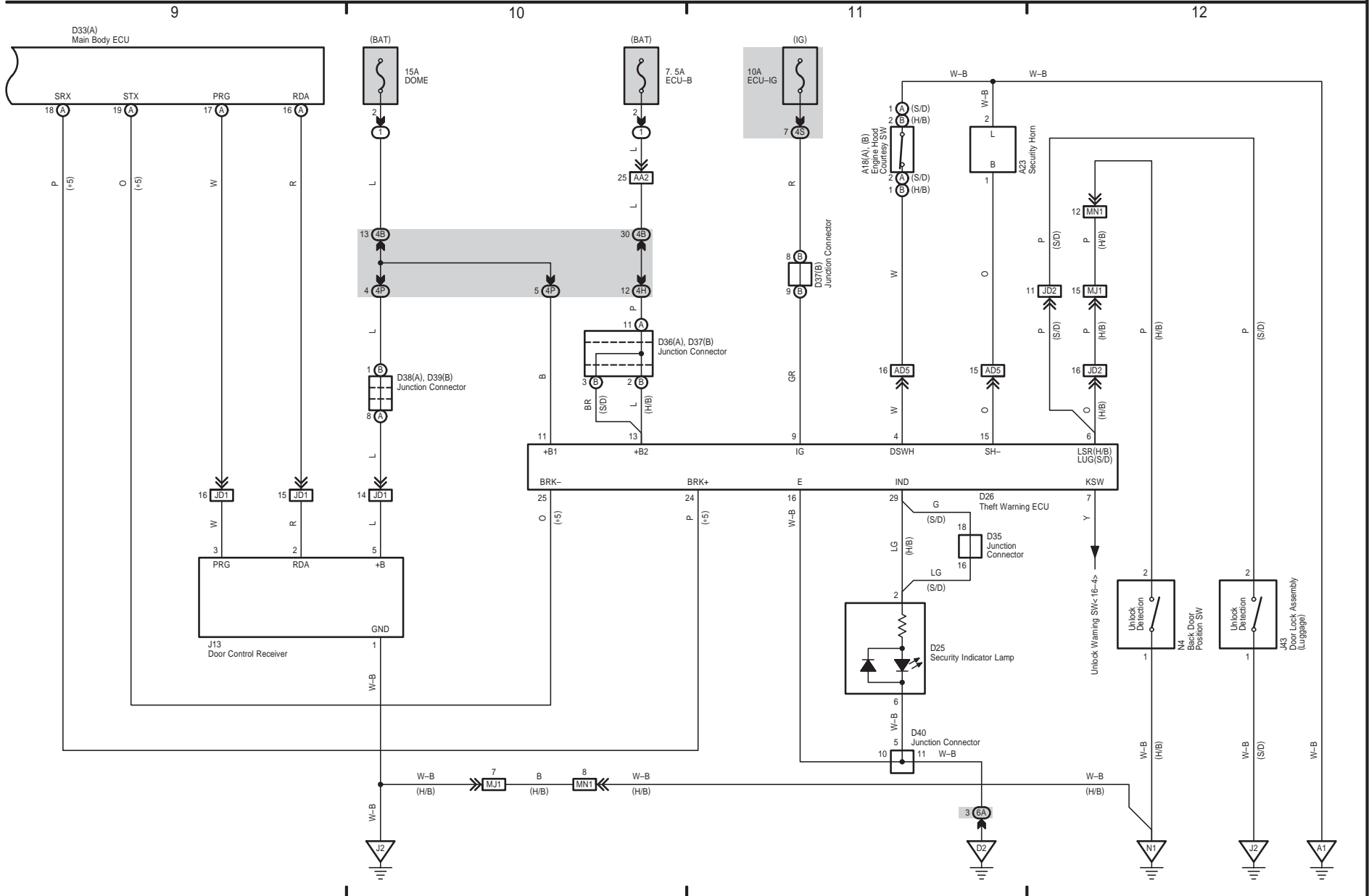


21 YARIS (Cont' d)

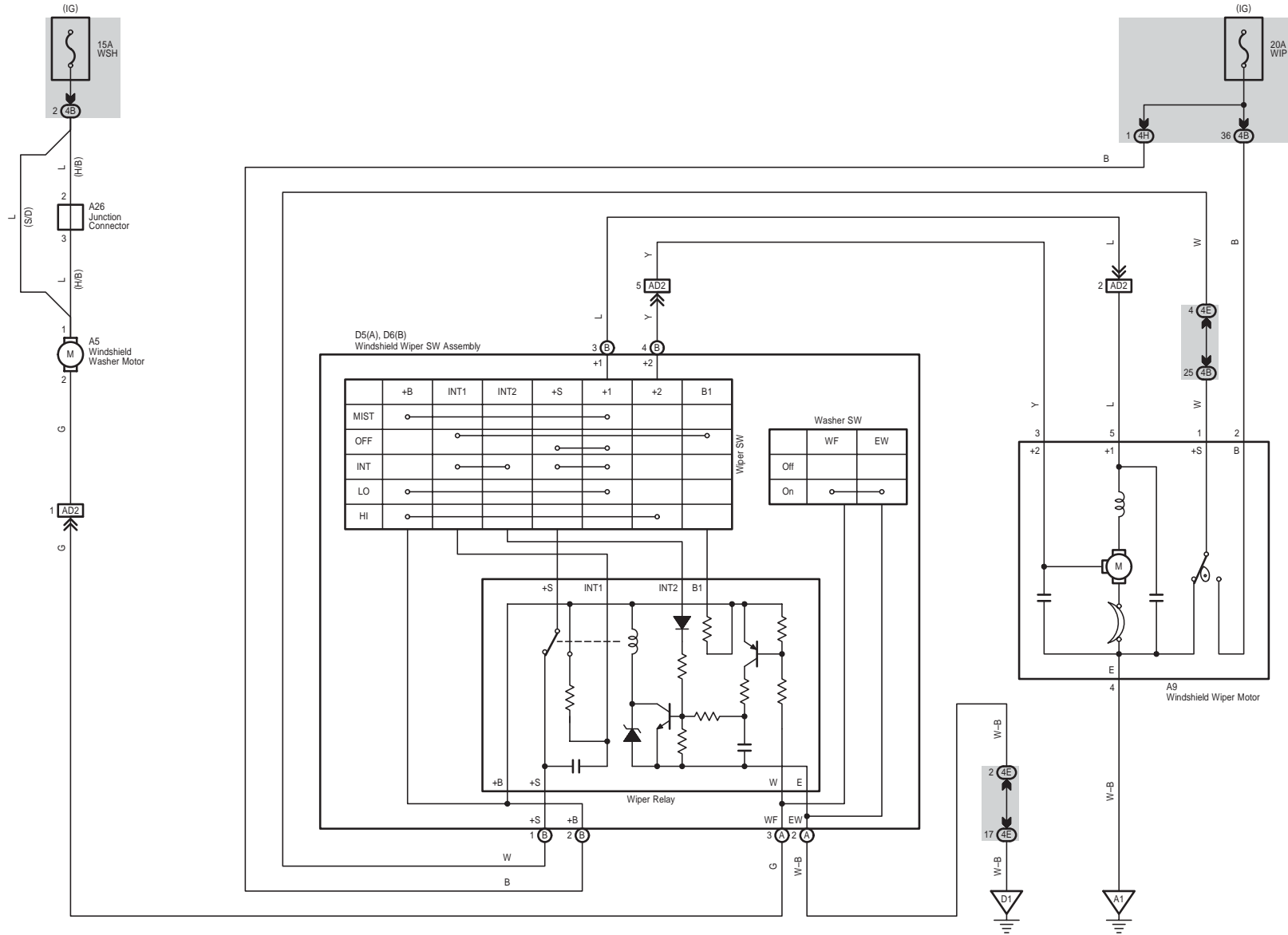
Wireless Door Lock Control

Theft Deterrent

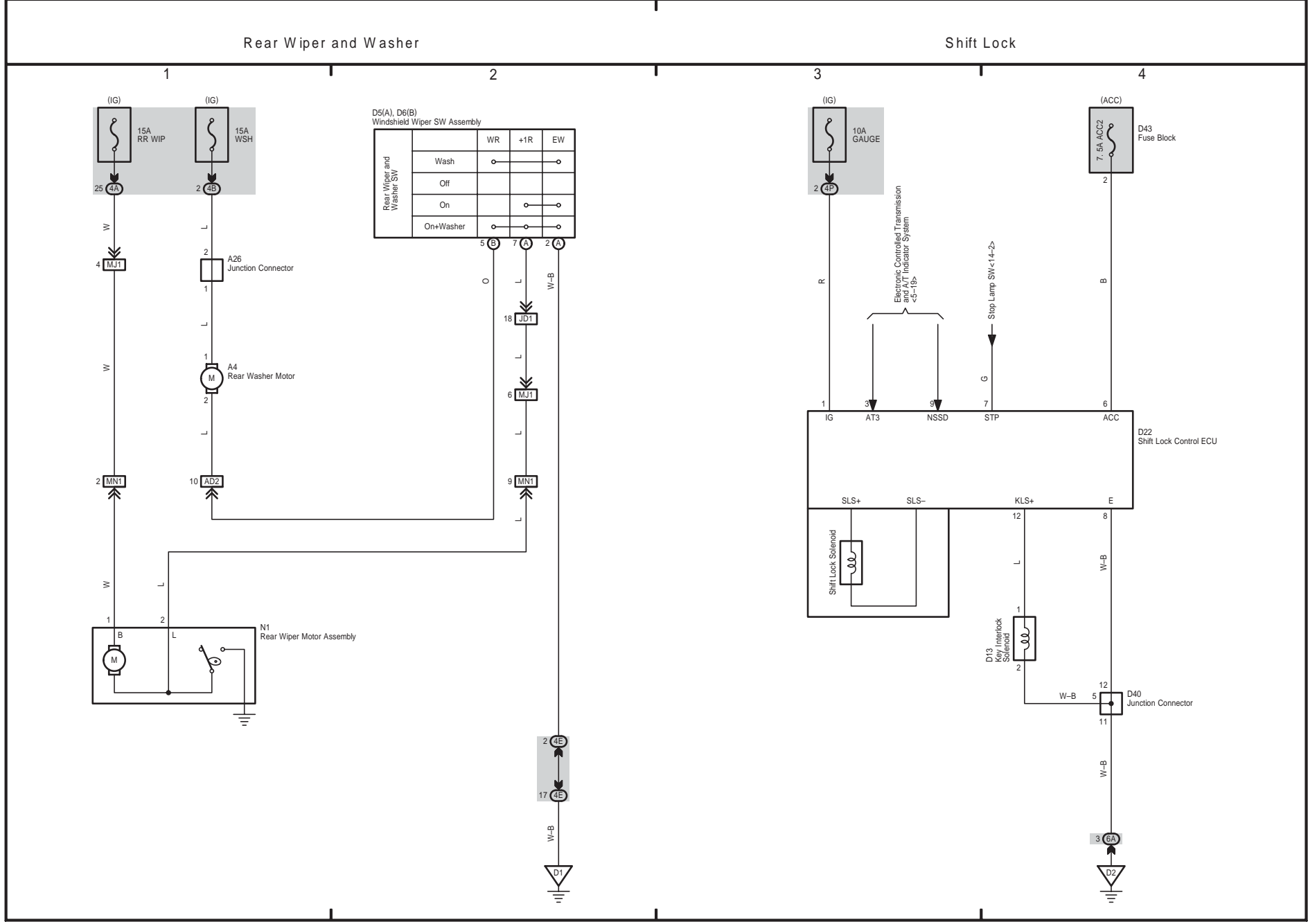
= 5 : w/ Theft Deterrent System



Front Wiper and Washer

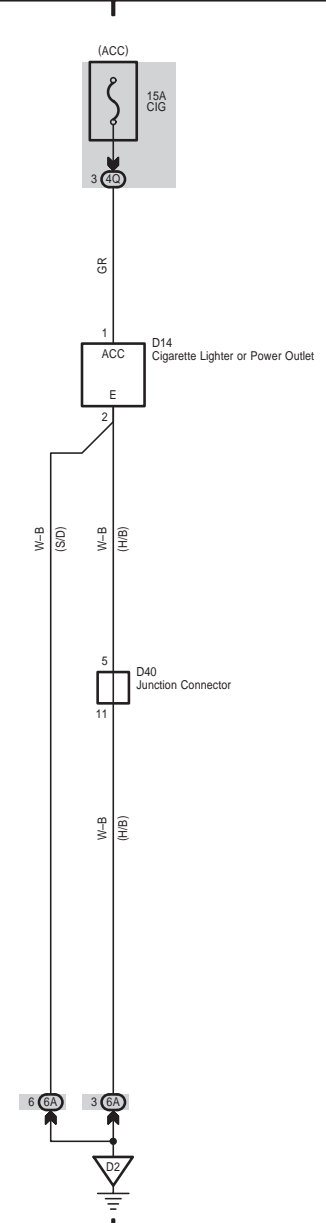
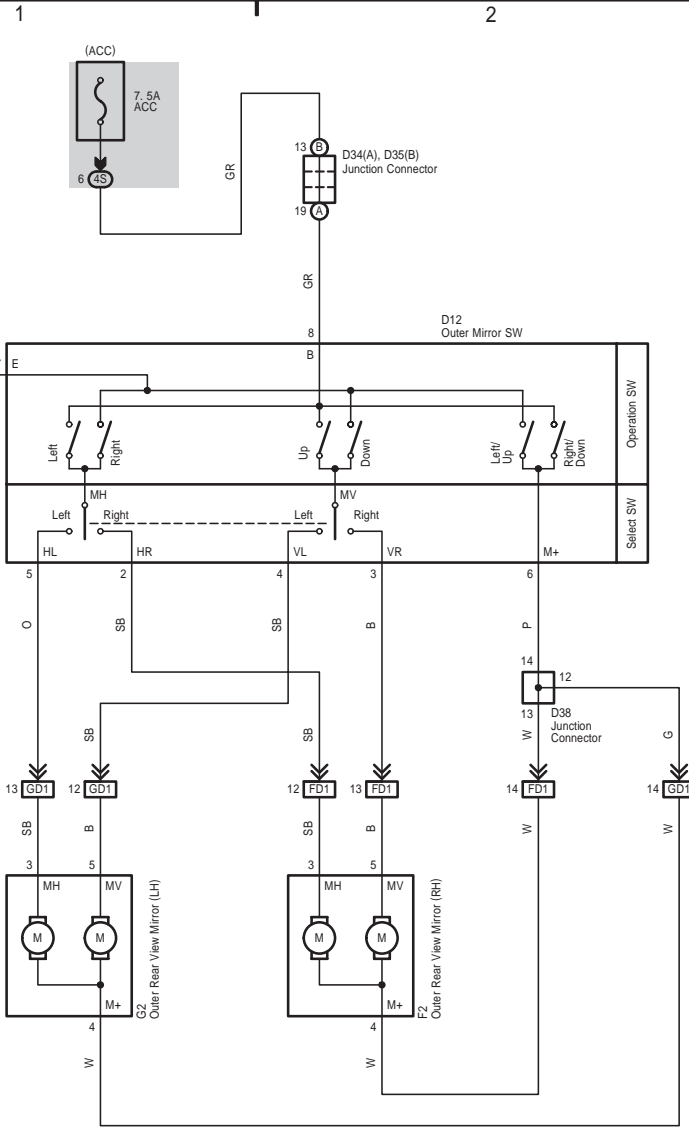


YARIS (EM01V0U)



Remote Control Mirror

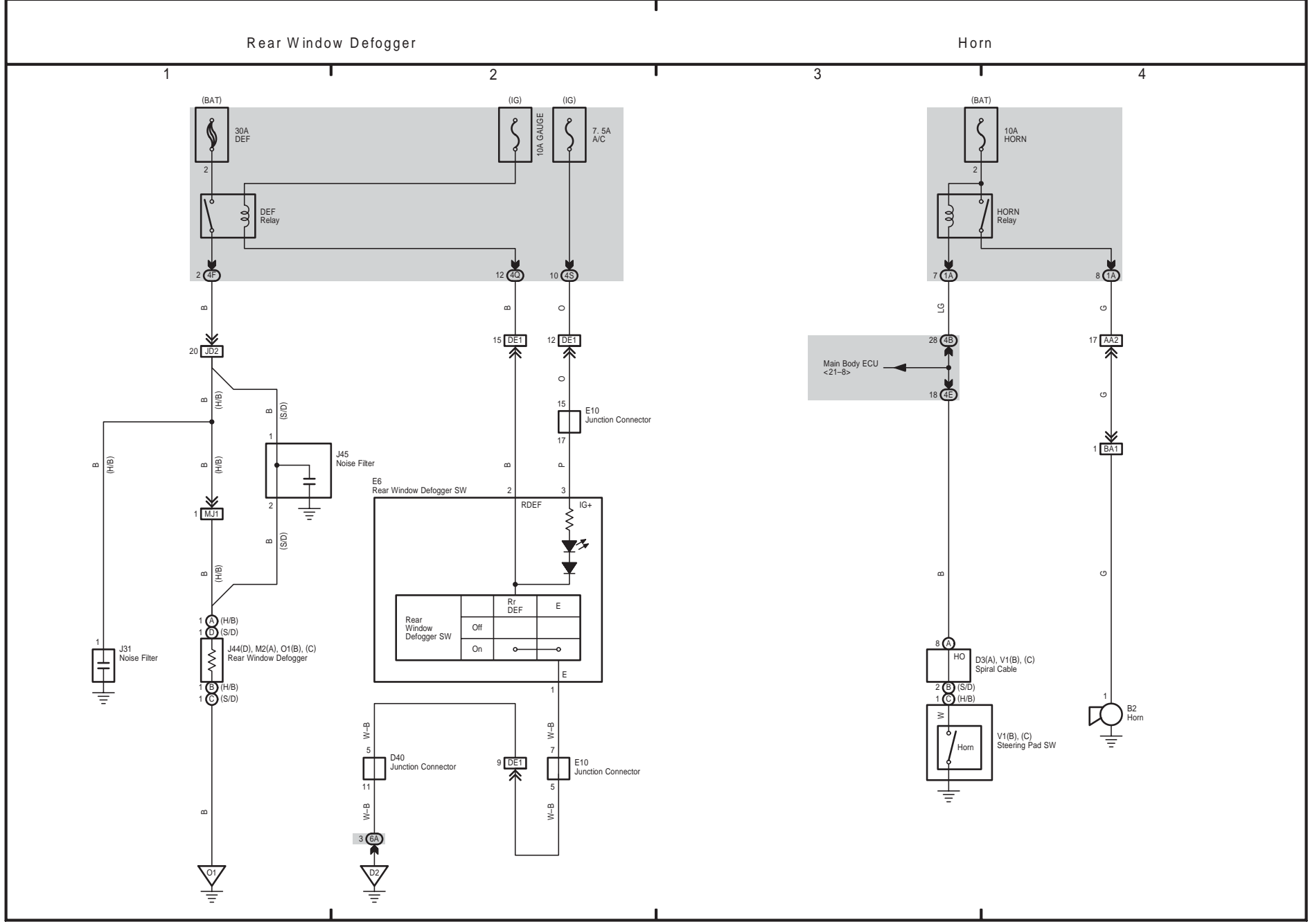
Cigarette Lighter/Power Outlet



YARIS (EM01V0U)

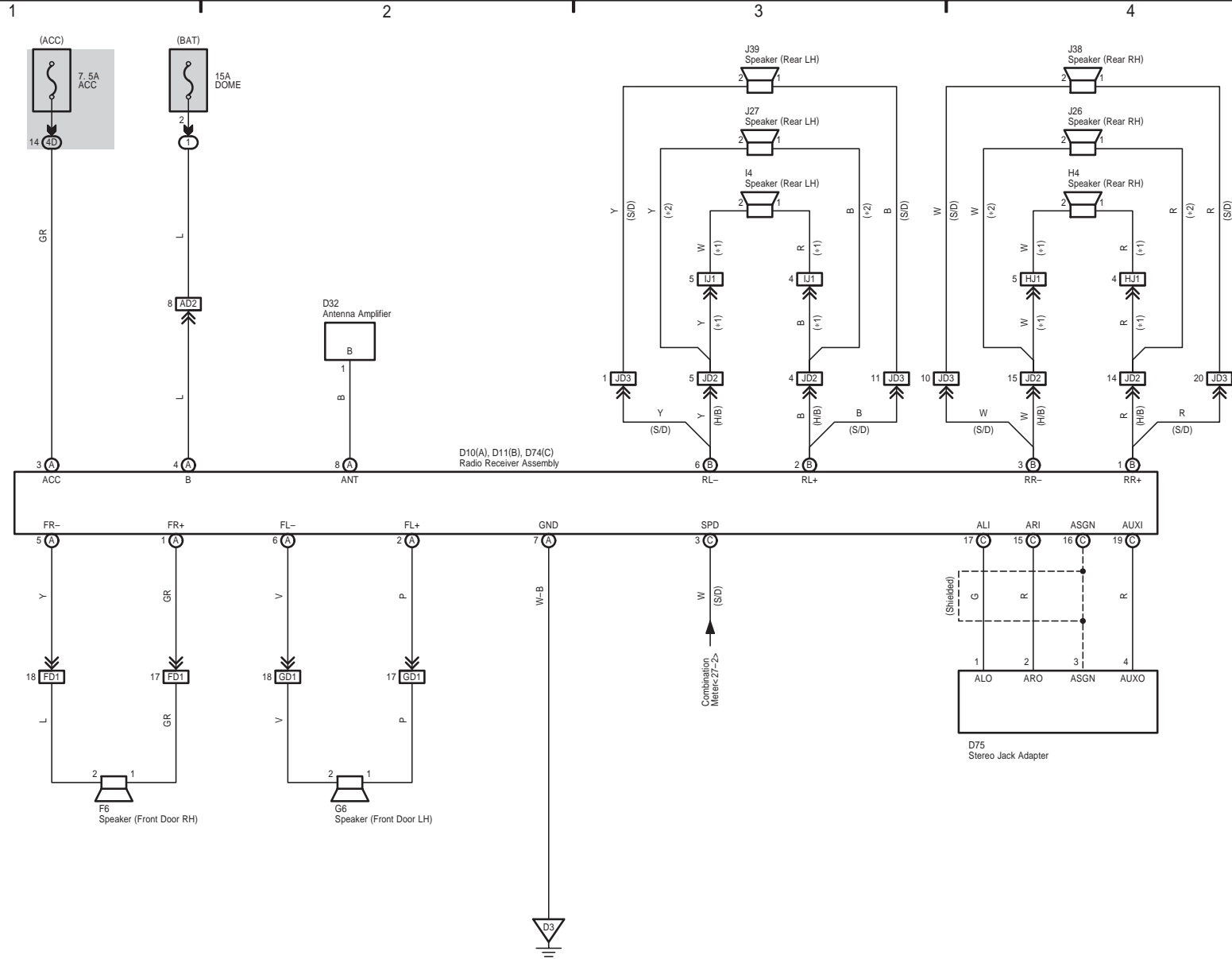
25 YARIS

M OVERALL ELECTRICAL WIRING DIAGRAM



Audio System

* 1 : H/B 5-Door
 * 2 : H/B 3-Door

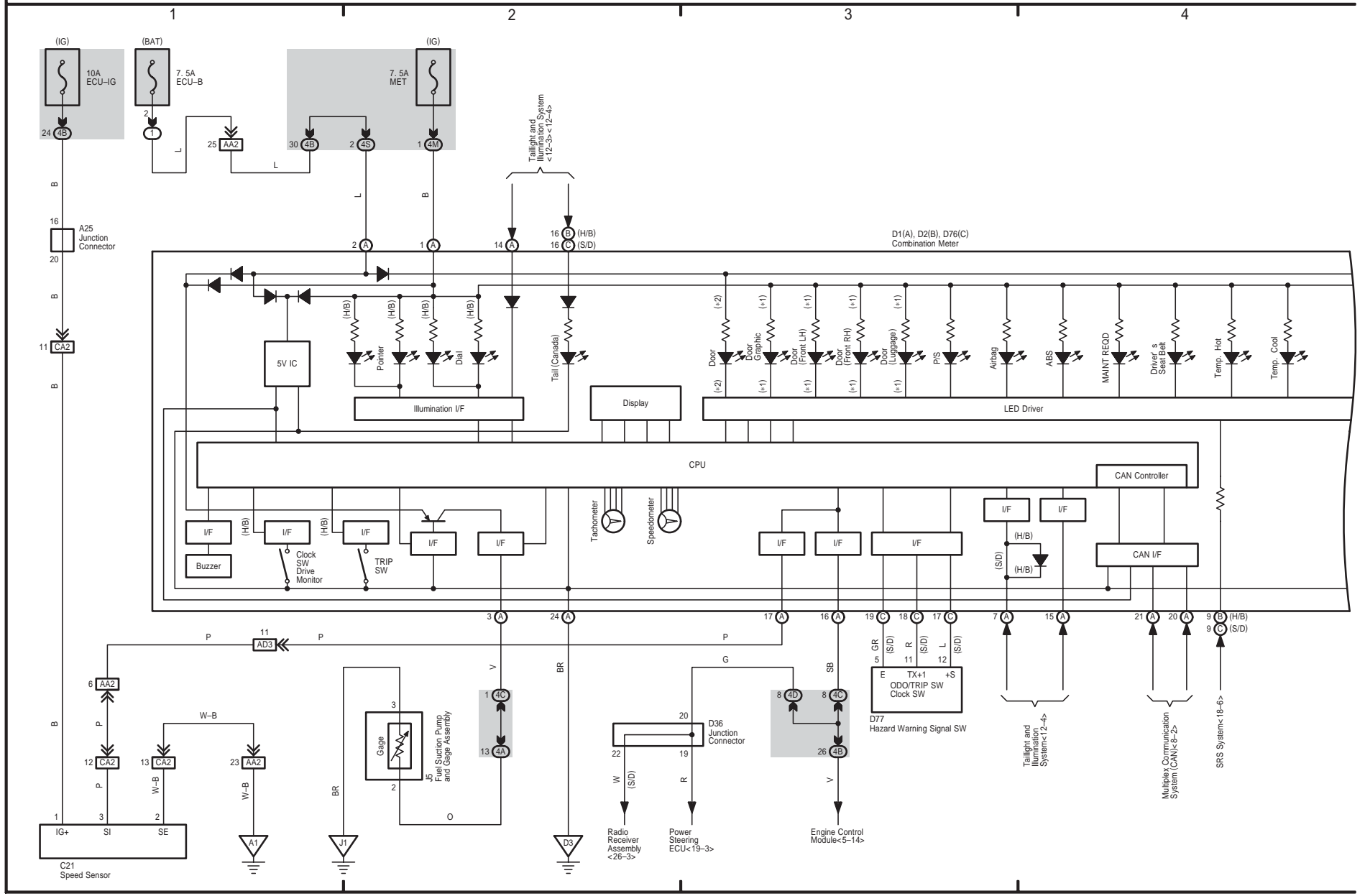


YARIS (EM01V0U)



Combination Meter

* 1 : S/D w/ Tachometer
* 2 : S/D w/o Tachometer, H/B

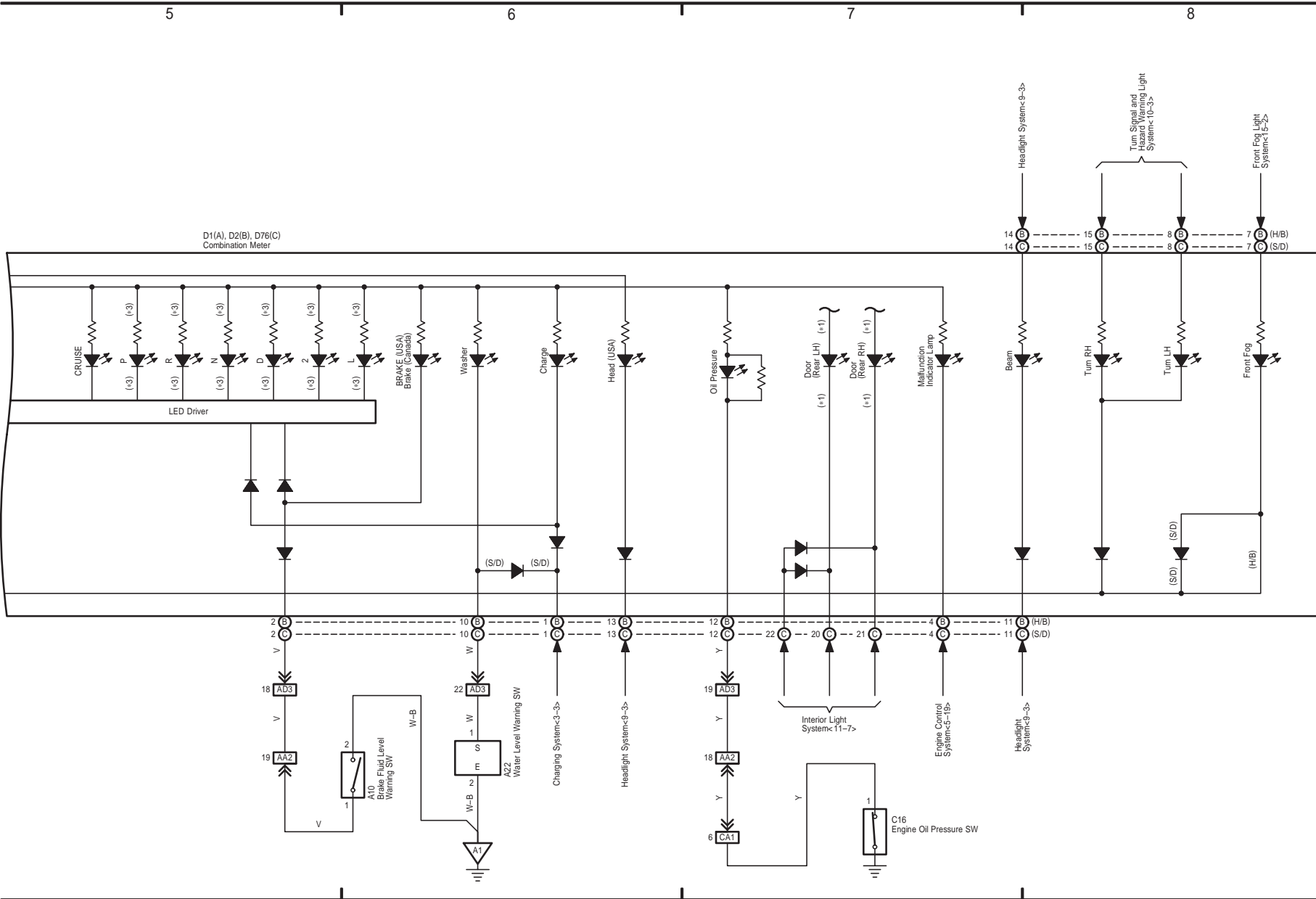


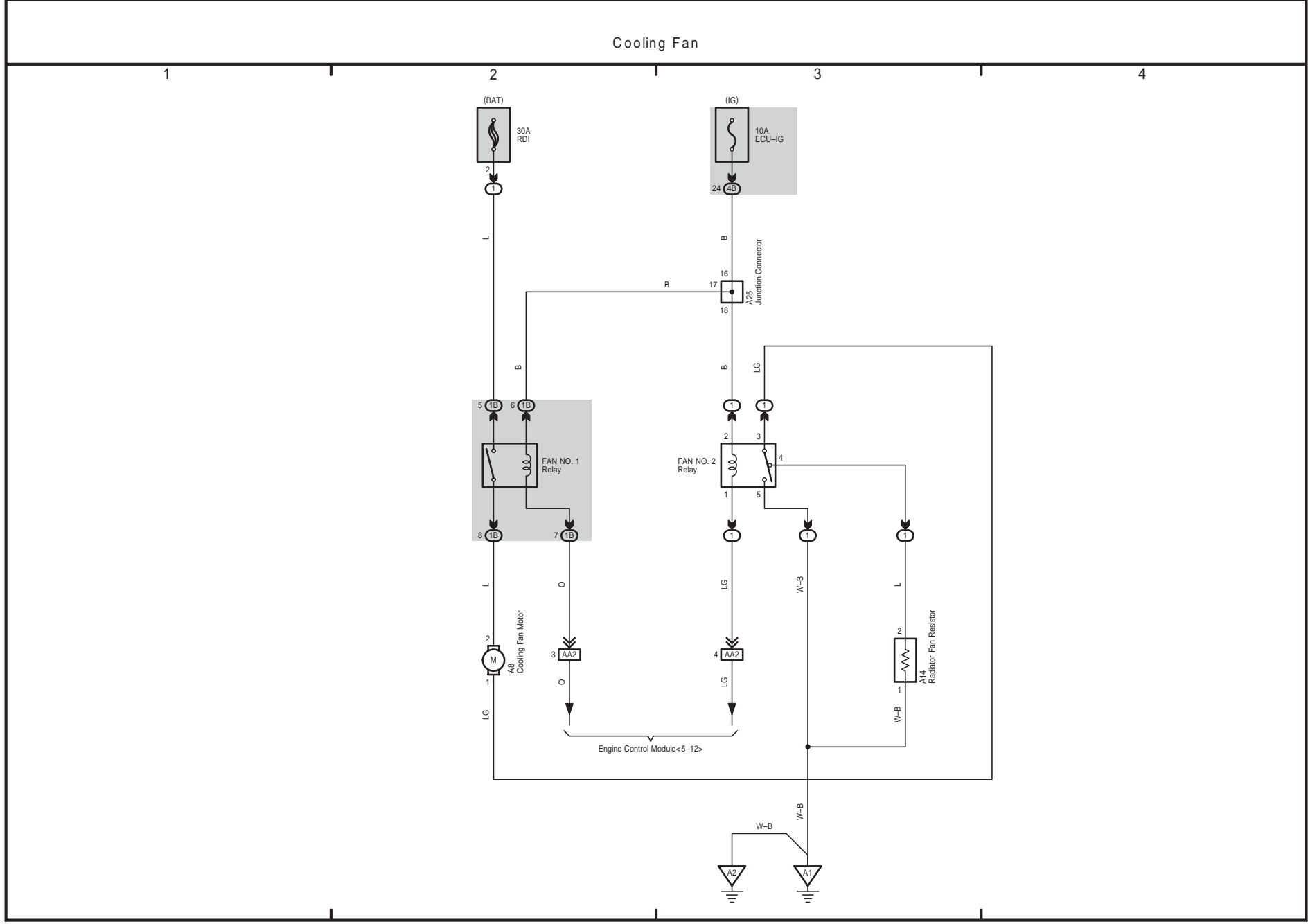
Combination Meter

* 1 : S/D w/ Tachometer
 * 3 : S/D AT

YARIS (EM01V0U)

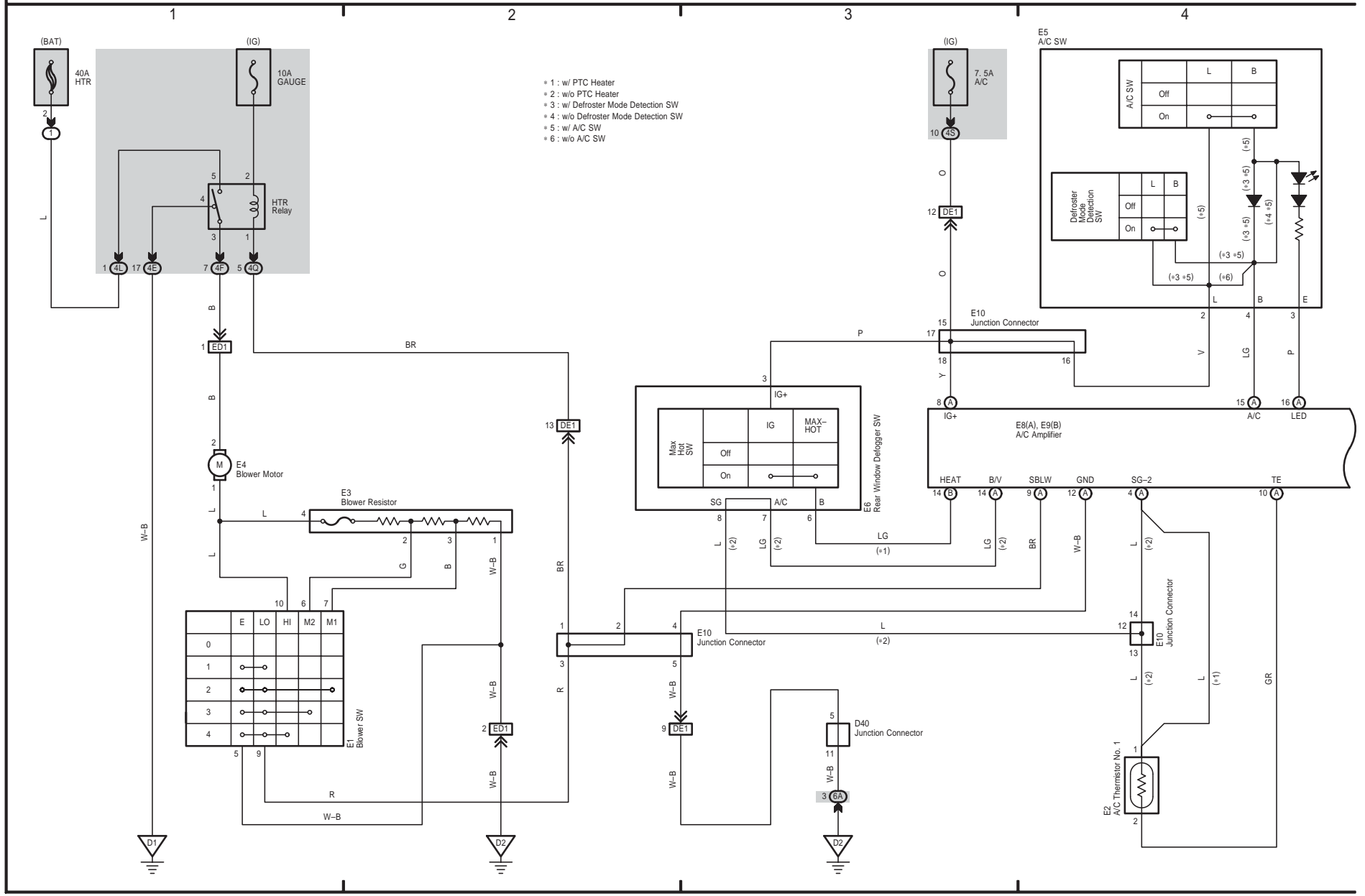
327





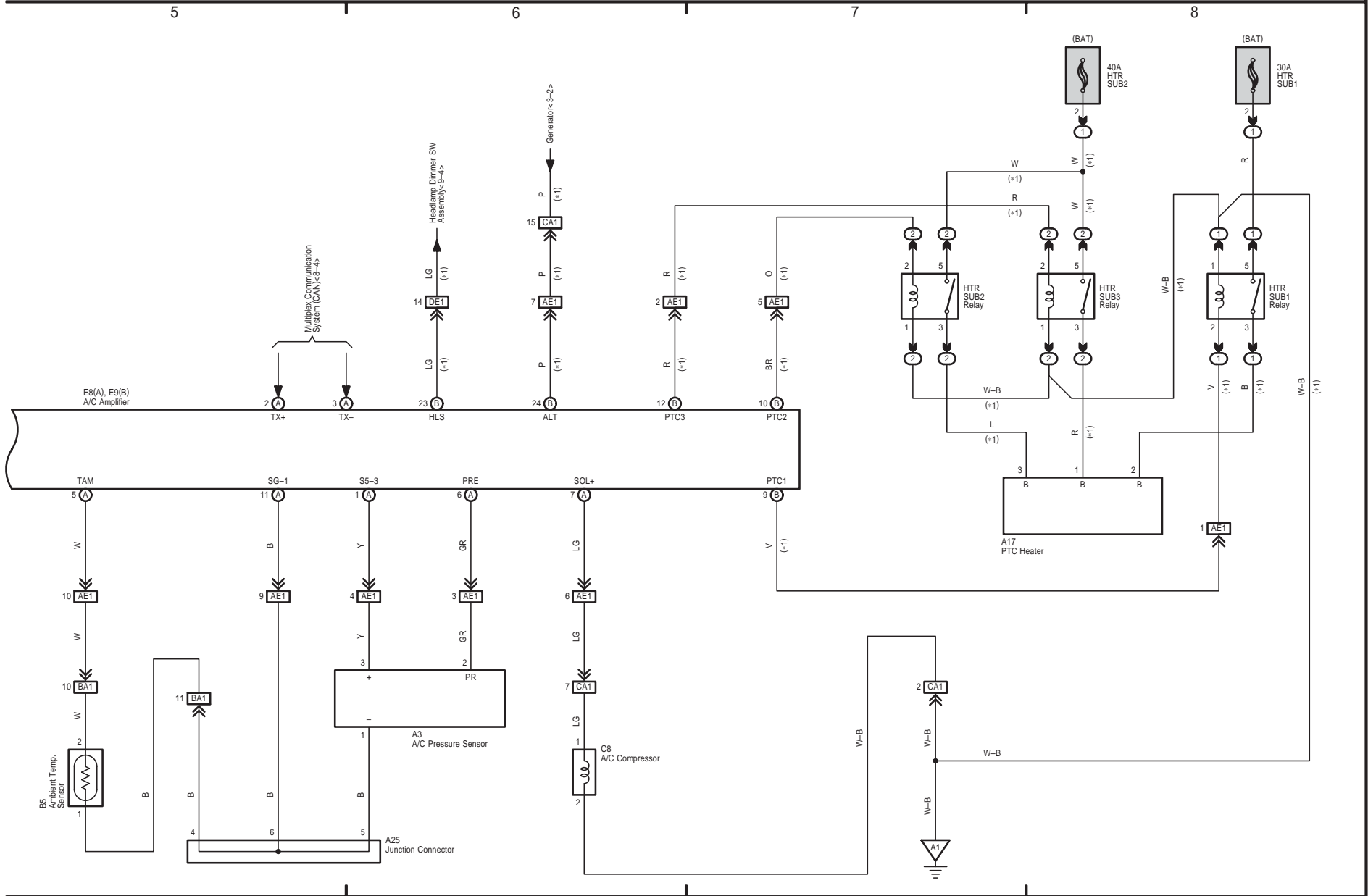
Air Conditioning

YARIS (EM01V0U)



Air Conditioning

* 1 : w/ PTC Heater



YARIS (EM01V0U)

