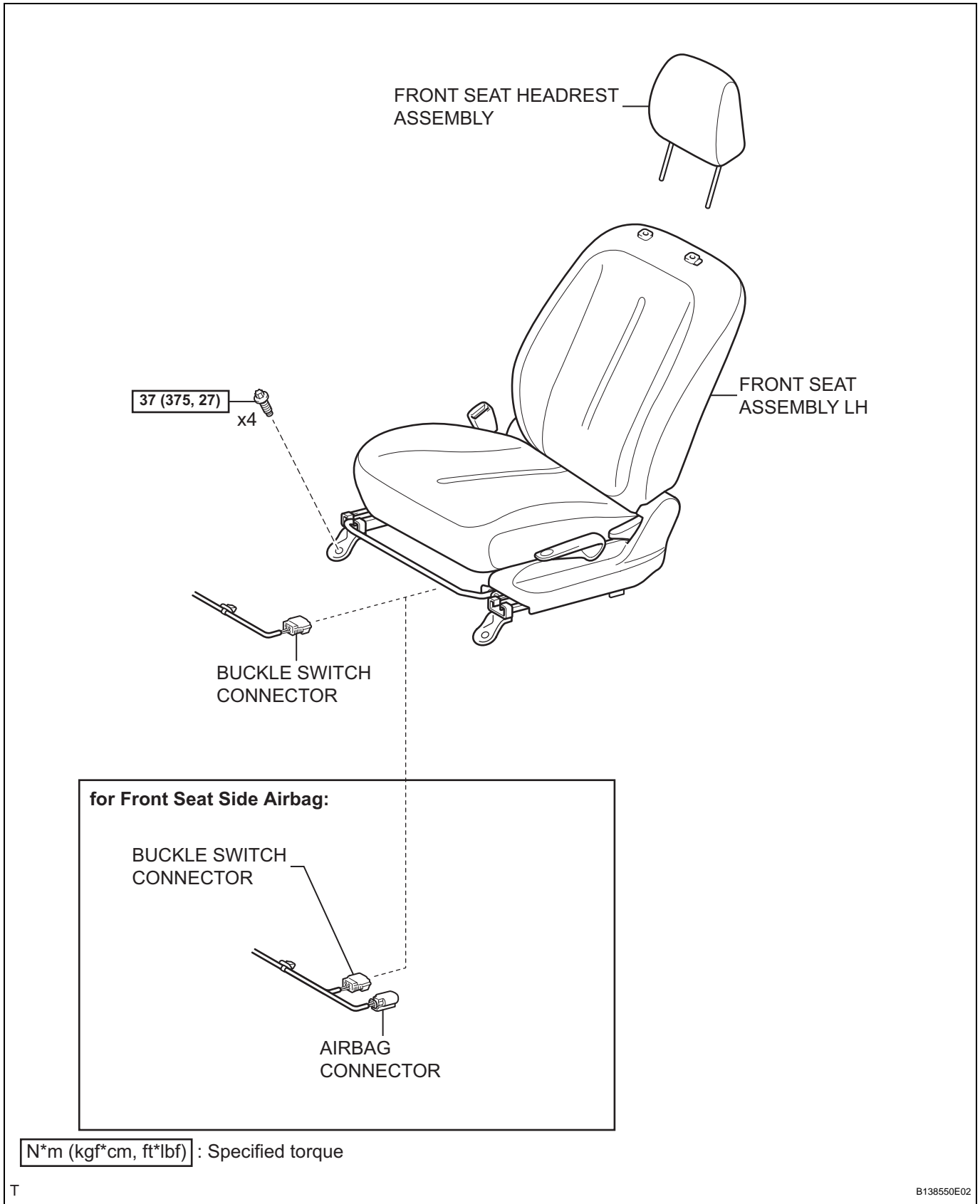


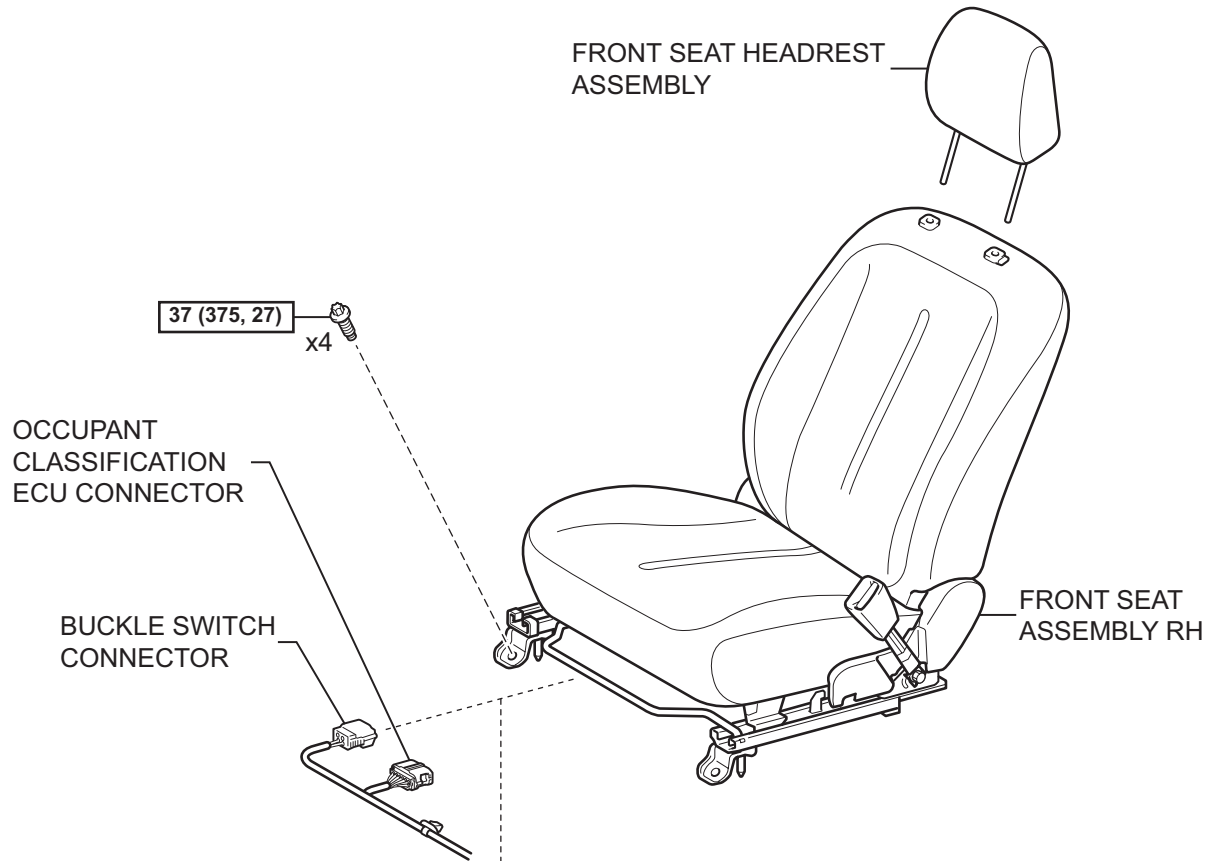
ROOF HEADLINING (for Sedan)

COMPONENTS

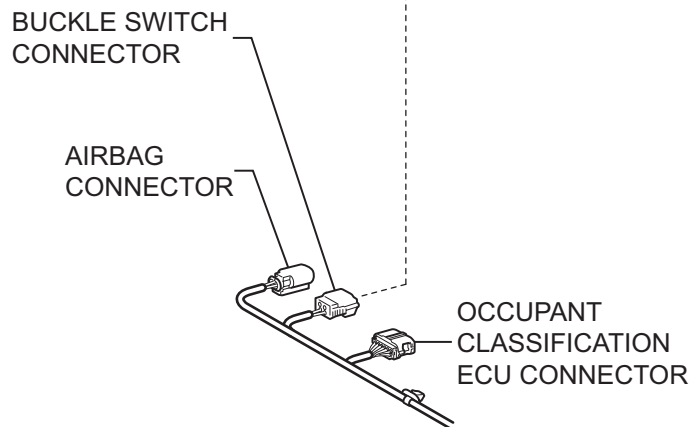


IR

N*m (kgf*cm, ft*lbf) : Specified torque



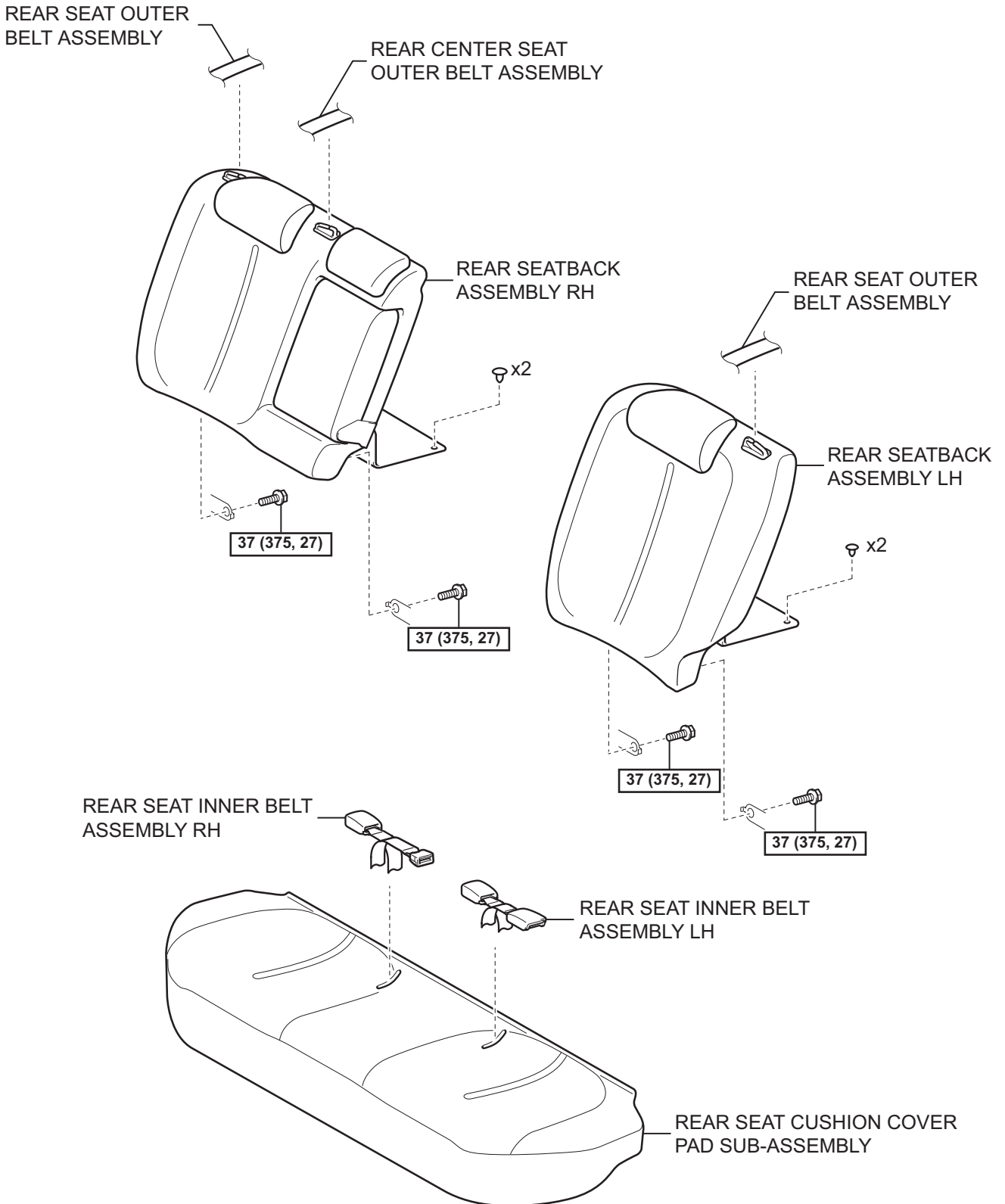
for Front Seat Side Airbag:



N*m (kgf*cm, ft*lbf) : Specified torque

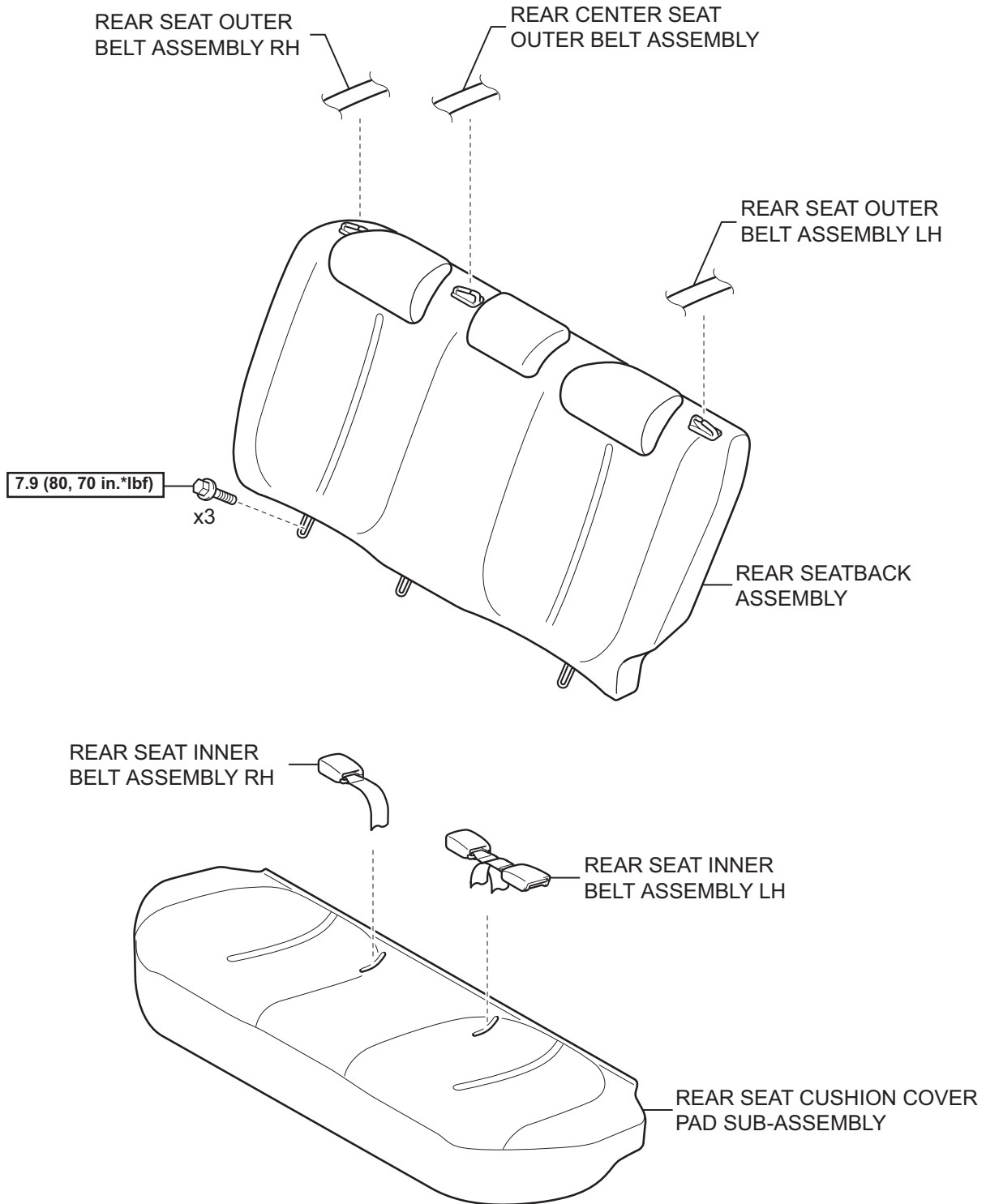
IR

for 60/40 Split Seat Type:



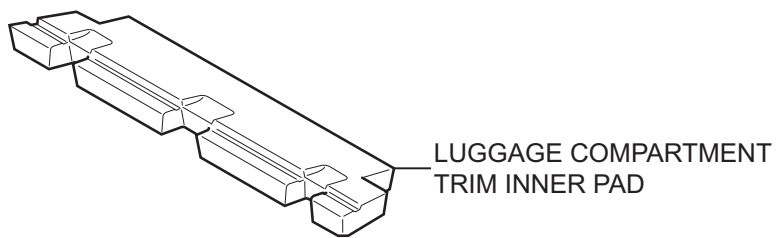
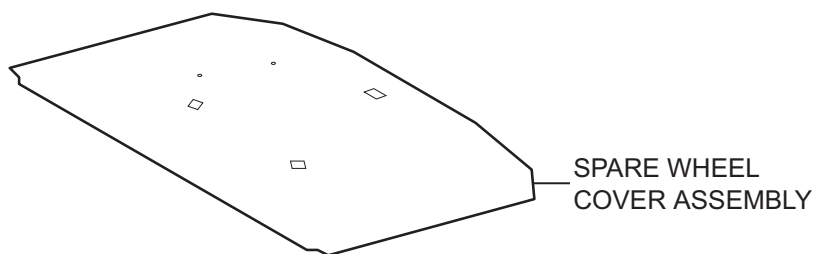
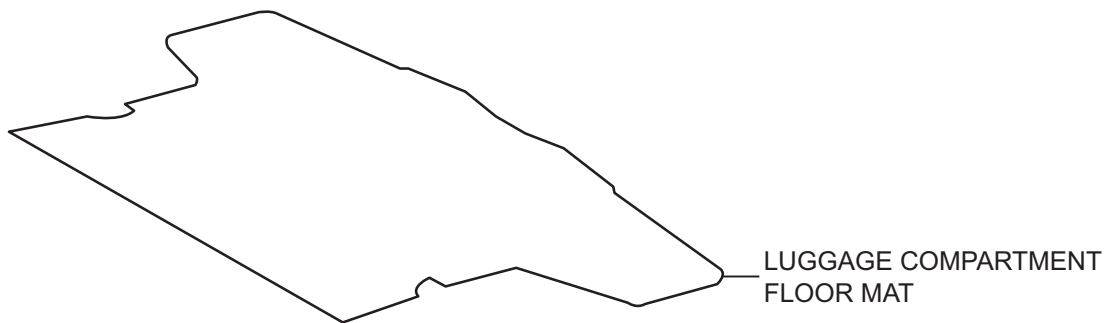
N*m (kgf*cm, ft*lbf) : Specified torque

for Fixed Seat Type:

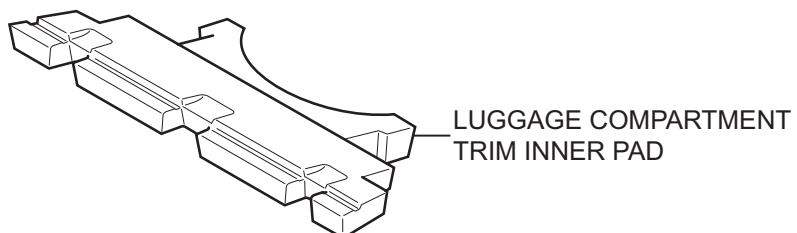


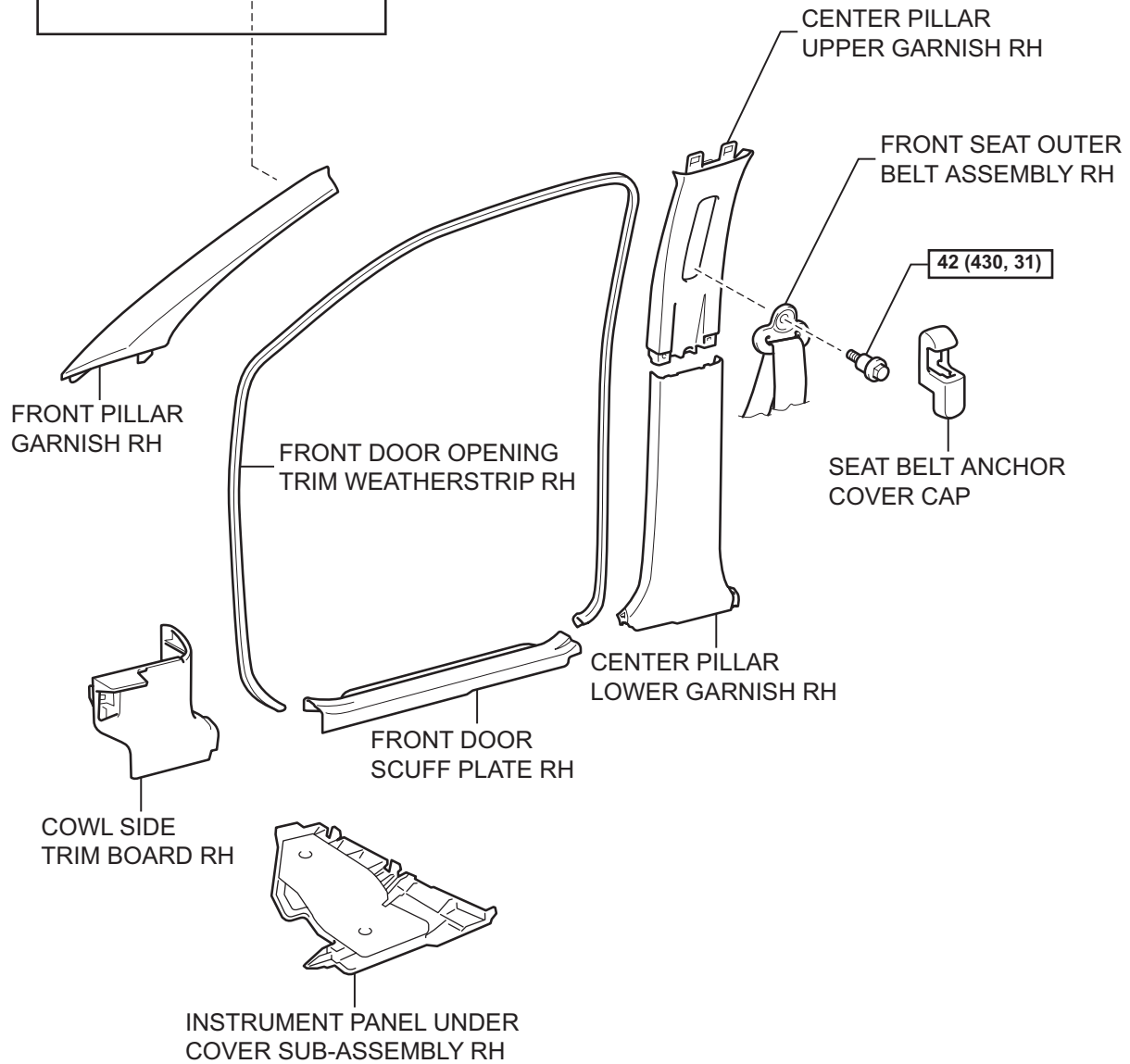
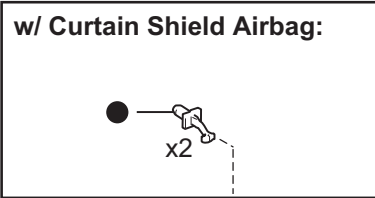
N*m (kgf*cm, ft*lbf) : Specified torque

for 60/40 Split Seat Type:



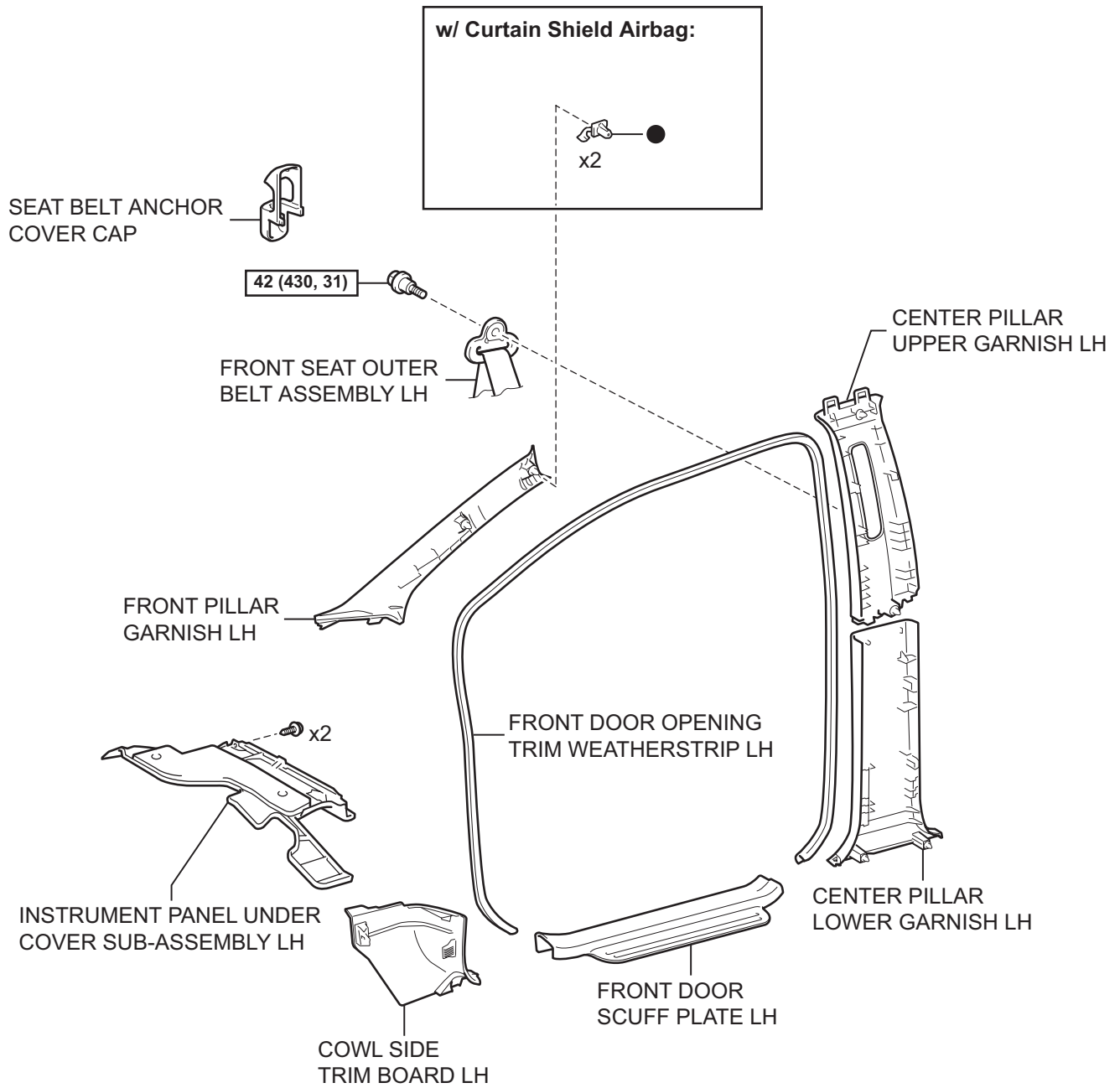
for Grand Tire:





N*m (kgf*cm, ft*lb) : Specified torque

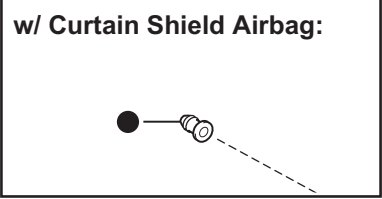
● Non-reusable part



N*m (kgf*cm, ft*lbf) : Specified torque

● Non-reusable part

IR



REAR DOOR OPENING
TRIM WEATHERSTRIP RH

ROOF SIDE INNER
GARNISH RH

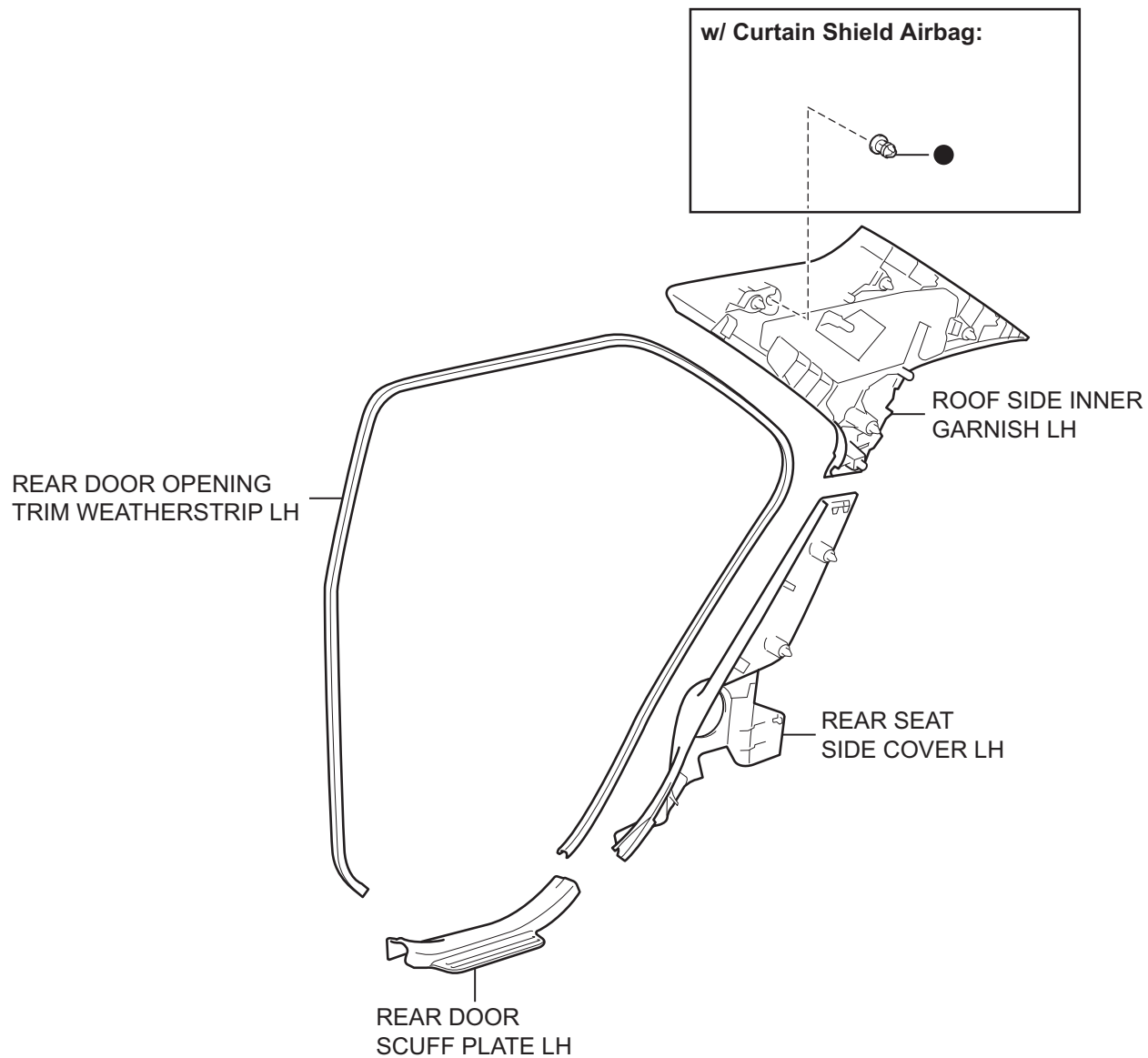
REAR SEAT
SIDE COVER RH

REAR DOOR
SCUFF PLATE RH

IR

● Non-reusable part

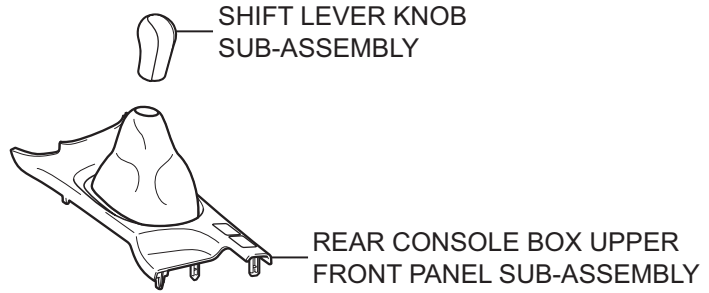
T



IR

● Non-reusable part

for Manual Transaxle:



INSTRUMENT PANEL LOWER
CENTER FINISH PANEL

REAR CONSOLE BOX UPPER
FRONT PANEL SUB-ASSEMBLY

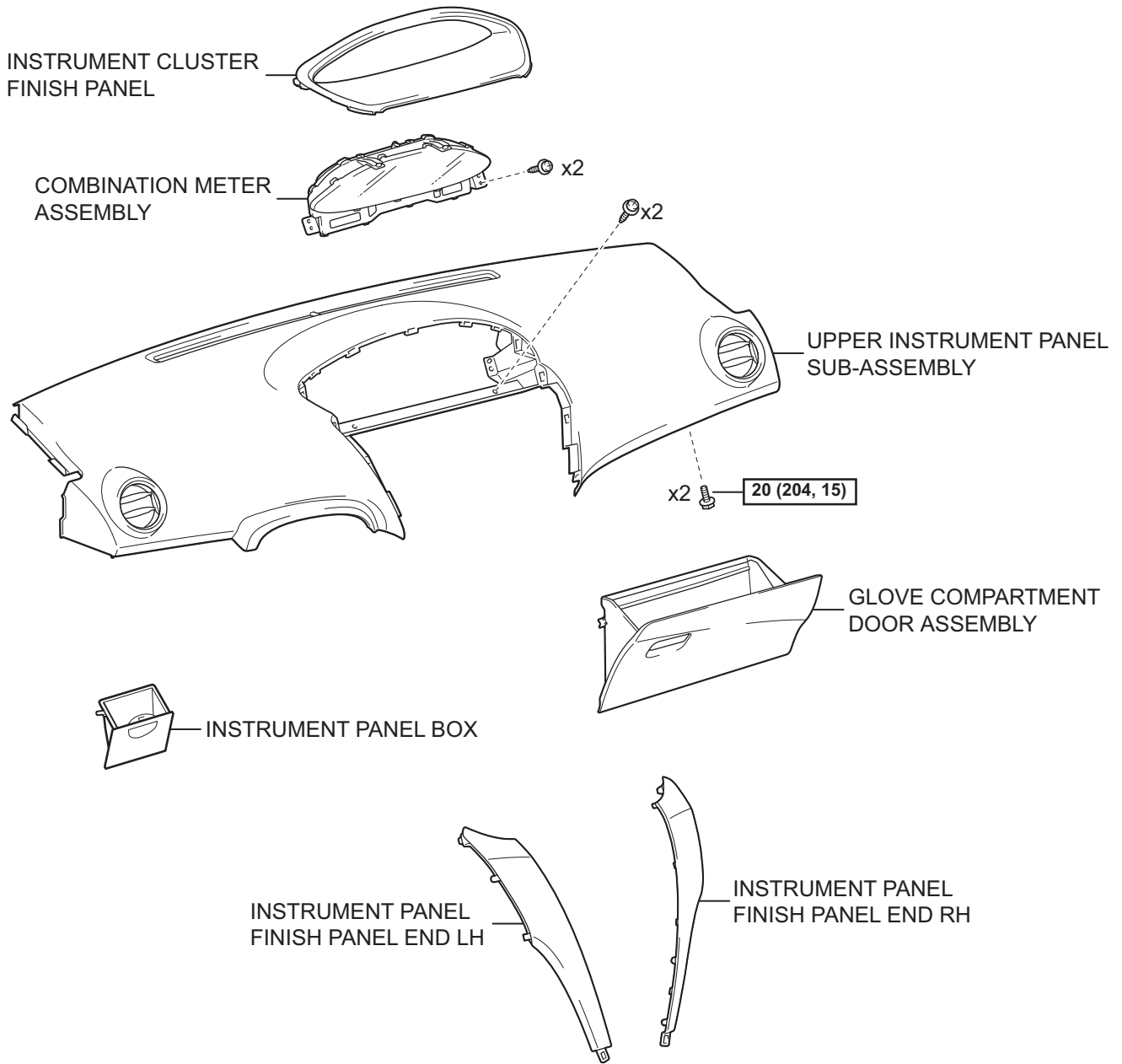
REAR CONSOLE BOX UPPER
REAR PANEL SUB-ASSEMBLY

CIGARETTE LIGHTER or
POWER OUTLET SOCKET
CONNECTOR

REAR CONSOLE BOX CARPET

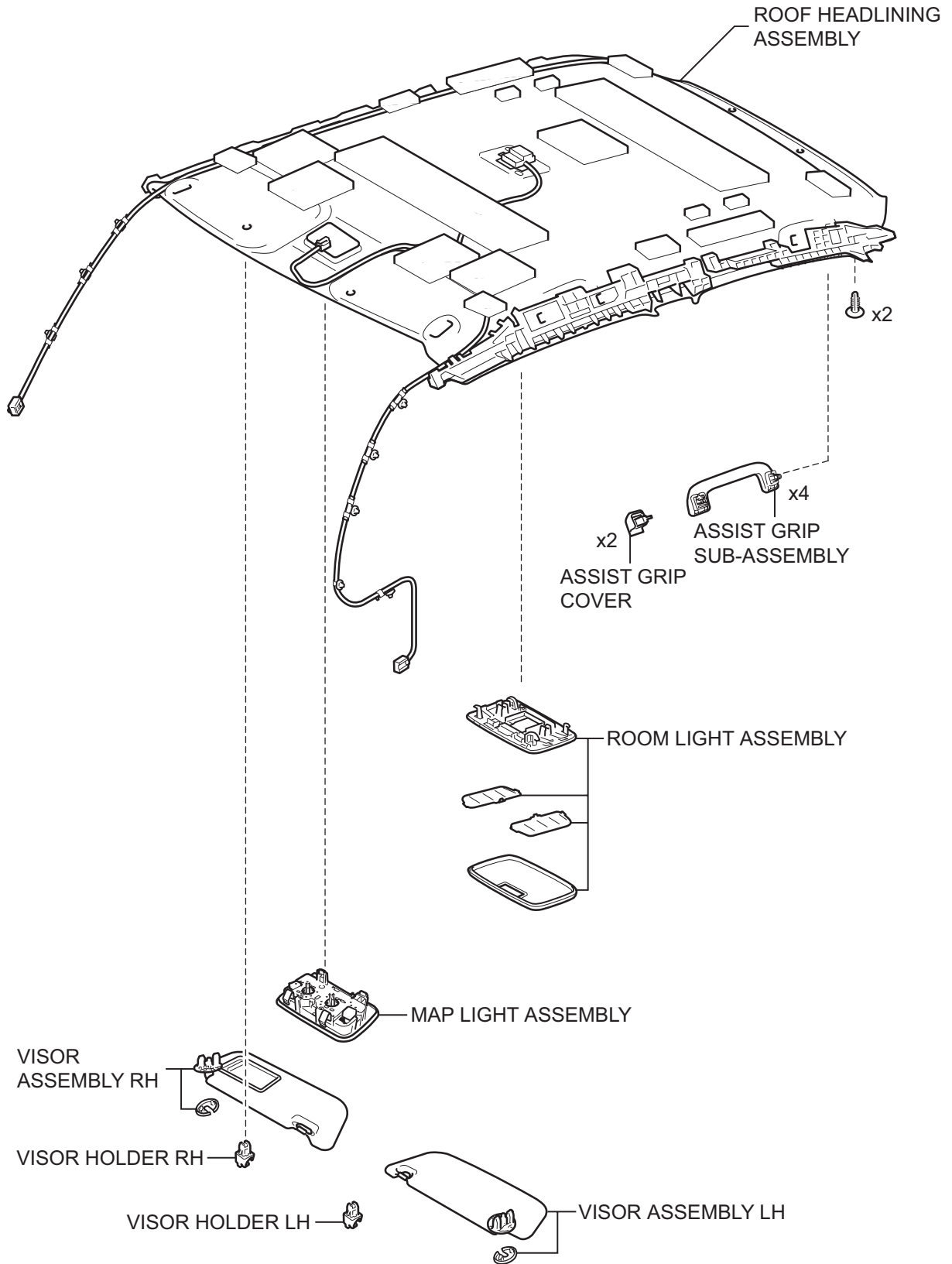
REAR CONSOLE
BOX ASSEMBLY

IR



N*m (kgf*cm, ft*lbf) : Specified torque

IR



IR

REMOVAL

CAUTION:

Some of these service operations affect the SRS airbag system. Read the precautionary notices concerning the SRS airbag system before servicing (See page [RS-1](#)).

NOTICE:

Always use "Torx" socket wrench E10 when removing the front seat.

1. **DISCONNECT CABLE FROM NEGATIVE BATTERY TERMINAL**

CAUTION:

Wait for at least 90 seconds after disconnecting the cable to prevent the airbag from working.

2. **REMOVE FRONT SEAT HEADREST ASSEMBLY**

HINT:

Use the same procedure for both sides.

- (a) Push in the lock button of the front seat headrest support and remove the front seat headrest.

3. **REMOVE FRONT SEAT ASSEMBLY LH (See page [SE-5](#))**

4. **REMOVE FRONT SEAT ASSEMBLY RH**

HINT:

Use the same procedure as for the LH side.

5. **REMOVE REAR SEAT CUSHION COVER PAD SUB-ASSEMBLY**

- (a) for Fixed Seat Type:

- (1) Remove the rear seat cushion cover pad sub-assembly (See page [SE-106](#)).

- (b) for 60/40 Split Seat Type:

- (1) Remove the rear seat cushion cover pad sub-assembly (See page [SE-46](#)).

6. **REMOVE REAR SEATBACK ASSEMBLY RH (for 60/40 Split Seat Type) (See page [SE-57](#))**

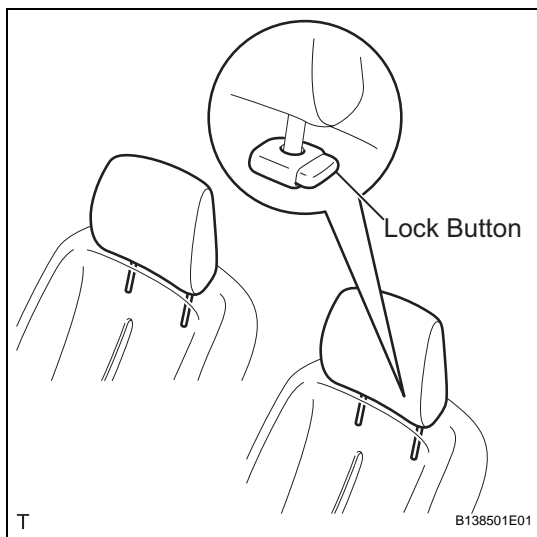
7. **REMOVE REAR SEATBACK ASSEMBLY LH (for 60/40 Split Seat Type) (See page [SE-46](#))**

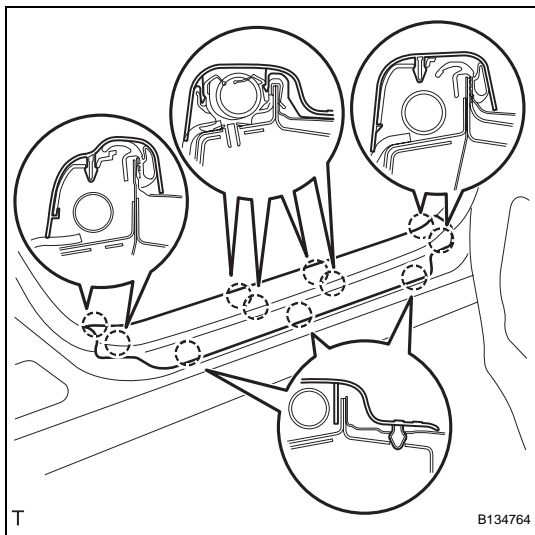
8. **REMOVE REAR SEATBACK ASSEMBLY (for Fixed Seat Type) (See page [SE-106](#))**

9. **REMOVE LUGGAGE COMPARTMENT FLOOR MAT (for 60/40 Split Seat Type) (See page [ED-133](#))**

10. **REMOVE SPARE WHEEL COVER ASSEMBLY (for 60/40 Split Seat Type) (See page [ED-133](#))**

11. **REMOVE LUGGAGE COMPARTMENT TRIM INNER PAD (for 60/40 Split Seat Type) (See page [ED-134](#))**



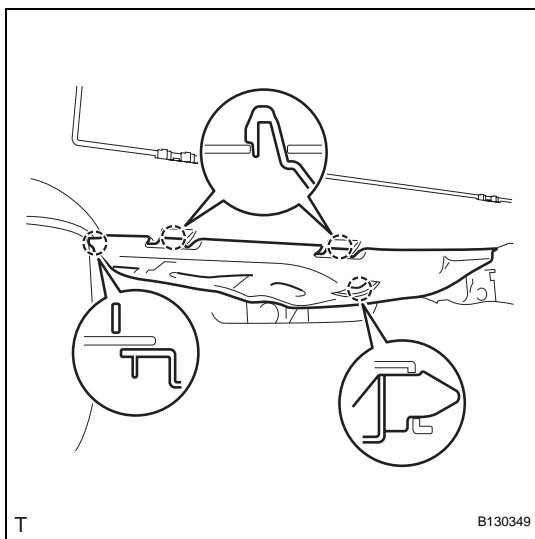
**12. REMOVE FRONT DOOR SCUFF PLATE RH**

- (a) Disengage the 11 claws and remove the front door scuff plate.

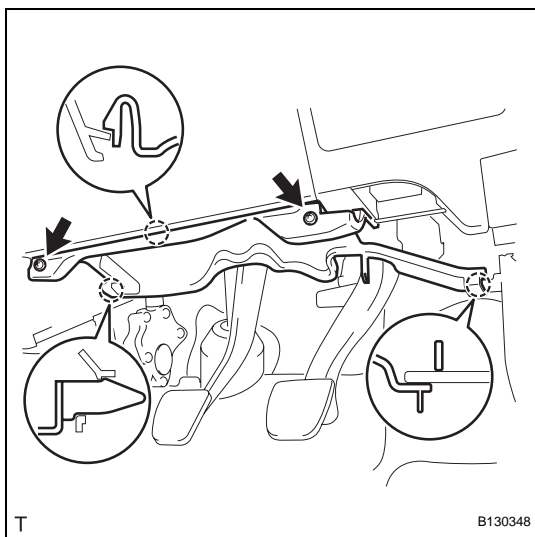
13. REMOVE FRONT DOOR SCUFF PLATE LH

HINT:

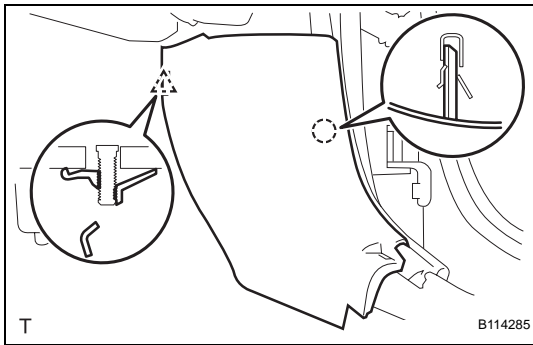
- Use the same procedure as for the RH side.

**14. REMOVE INSTRUMENT PANEL UNDER COVER SUB-ASSEMBLY RH**

- (a) Disengage the 4 claws and remove the instrument panel under cover.

**15. REMOVE INSTRUMENT PANEL UNDER COVER SUB-ASSEMBLY LH**

- (a) Remove the 2 screws.
 (b) Disengage the 3 claws and remove the instrument panel under cover.



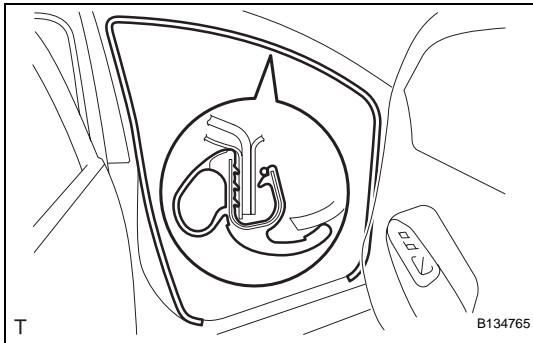
16. REMOVE COWL SIDE TRIM BOARD RH

(a) Disengage the claw and the stud bolt and remove the cowl side trim board.

17. REMOVE COWL SIDE TRIM BOARD LH

HINT:

Use the same procedure as for the RH side.



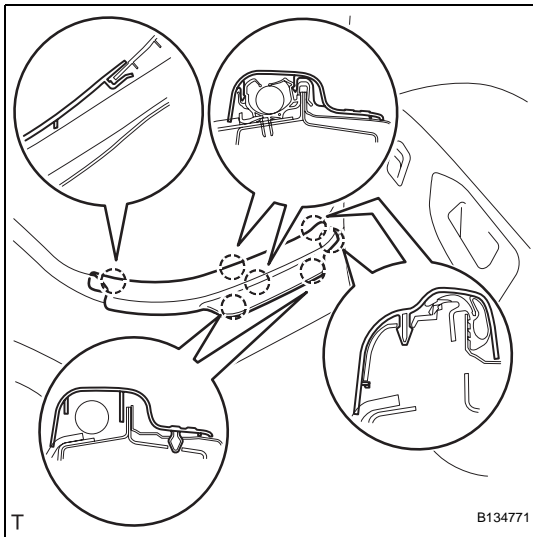
18. REMOVE FRONT DOOR OPENING TRIM WEATHERSTRIP RH

(a) Remove the front door opening trim weatherstrip.

19. REMOVE FRONT DOOR OPENING TRIM WEATHERSTRIP LH

HINT:

Use the same procedure as for the RH side.



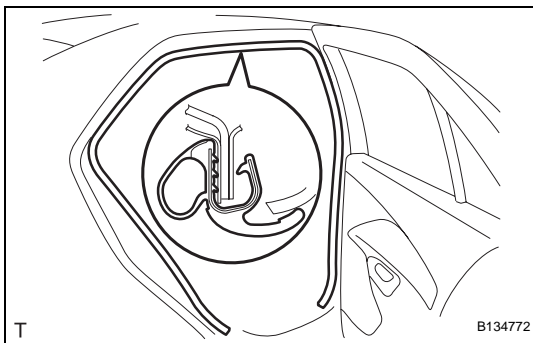
20. REMOVE REAR DOOR SCUFF PLATE RH

(a) Disengage the 7 claws and remove the rear door scuff plate.

21. REMOVE REAR DOOR SCUFF PLATE LH

HINT:

Use the same procedure as for the RH side.



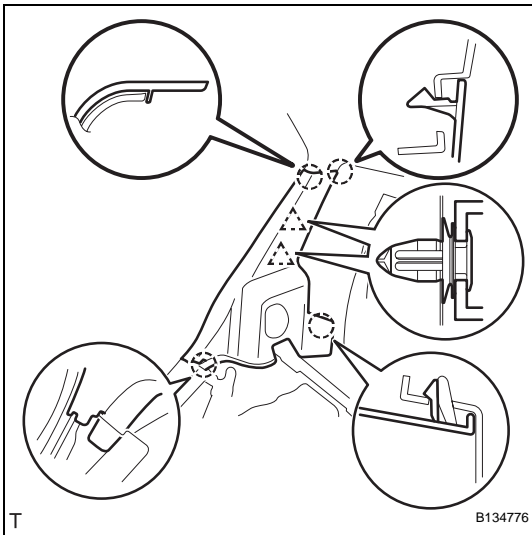
22. REMOVE REAR DOOR OPENING TRIM WEATHERSTRIP RH

(a) Remove the rear door opening trim weatherstrip.

23. REMOVE REAR DOOR OPENING TRIM WEATHERSTRIP LH

HINT:

Use the same procedure as for the RH side.



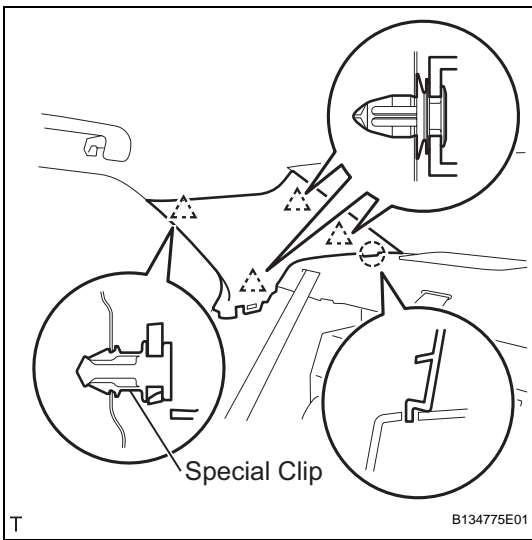
24. REMOVE REAR SEAT SIDE COVER RH

- (a) Disengage the 2 clips and the 4 claws and remove the rear seat side cover.

25. REMOVE REAR SEAT SIDE COVER LH

HINT:

- Use the same procedure as for the RH side.



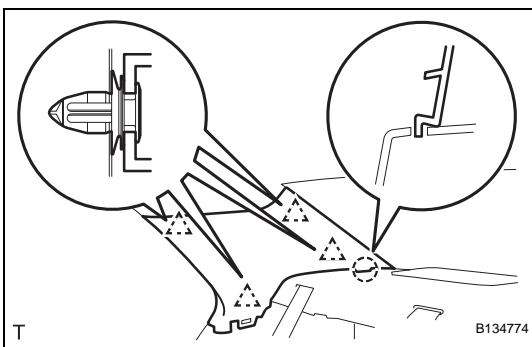
26. REMOVE ROOF SIDE INNER GARNISH RH

- (a) w/ Curtain Shield Airbag:

NOTICE:

Replace the special clip with a new one when the roof side inner garnish is removed.

- (1) Disengage the 4 clips and the claw and remove the roof side inner garnish.



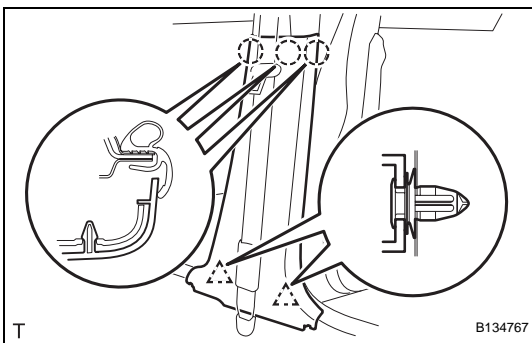
- (b) w/o Curtain Shield Airbag:

- (1) Disengage the 4 clips and the claw and remove the roof side inner garnish.

27. REMOVE ROOF SIDE INNER GARNISH LH

HINT:

- Use the same procedure as for the RH side.



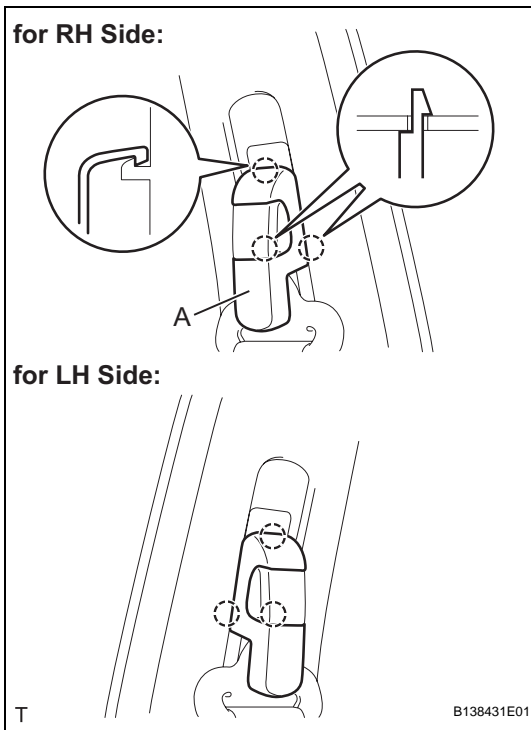
28. REMOVE CENTER PILLAR LOWER GARNISH RH

- (a) Disengage the 3 claws and 2 clips and remove the center pillar lower garnish.

29. REMOVE CENTER PILLAR LOWER GARNISH LH

HINT:

- Use the same procedure as for the RH side.

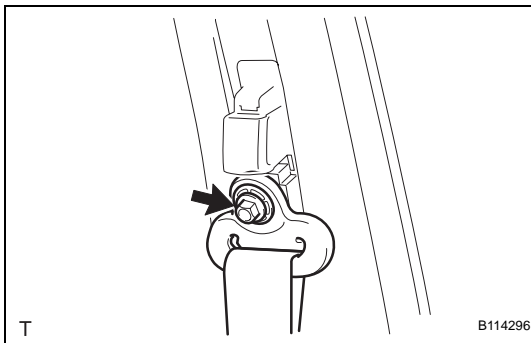


30. REMOVE SEAT BELT ANCHOR COVER CAP

HINT:

Use the same procedure for both sides.

- (a) Pull portion A, shown in the illustration, toward you, remove the 2 claws on the lower side followed by the claw on the upper side. Then remove the seat belt anchor cover cap.



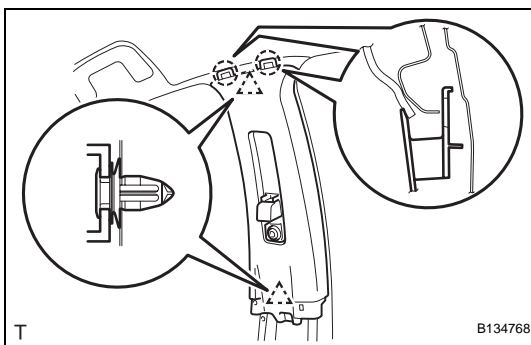
31. REMOVE FRONT SEAT OUTER BELT ASSEMBLY RH

- (a) Remove the bolt and the through anchor.

32. REMOVE FRONT SEAT OUTER BELT ASSEMBLY LH

HINT:

Use the same procedure as for the RH side.



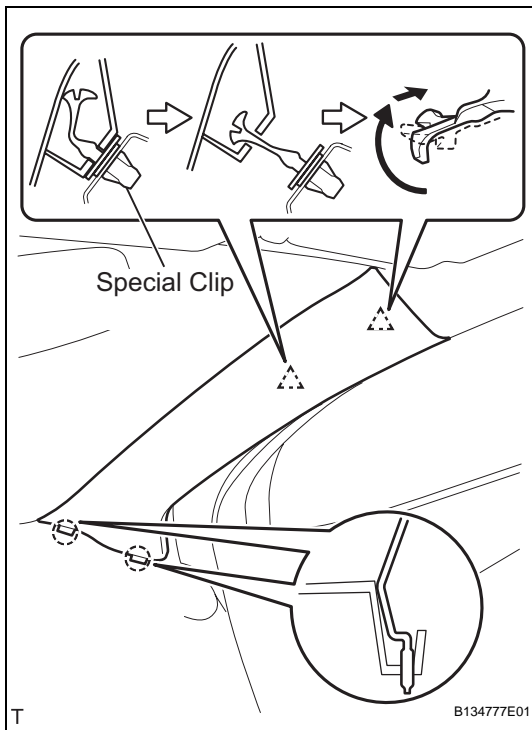
33. REMOVE CENTER PILLAR UPPER GARNISH RH

- (a) Disengage the 2 clips and 2 hooks and remove the center pillar upper garnish.

34. REMOVE CENTER PILLAR UPPER GARNISH LH

HINT:

Use the same procedure as for the RH side.

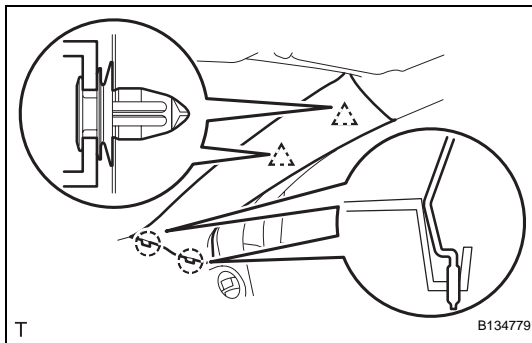
**35. REMOVE FRONT PILLAR GARNISH RH**

(a) w/ Curtain Shield Airbag:

NOTICE:

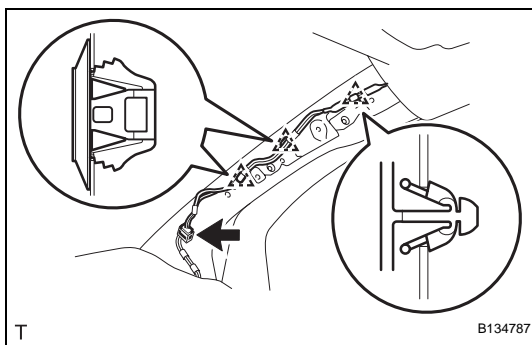
- Install a protective cover onto the curtain shield airbag as soon as the front pillar garnish is removed.
- Replace the special clip with a new one when the front pillar garnish is removed.

(1) Disengage the 2 clips and the 2 claws and remove the front pillar garnish.



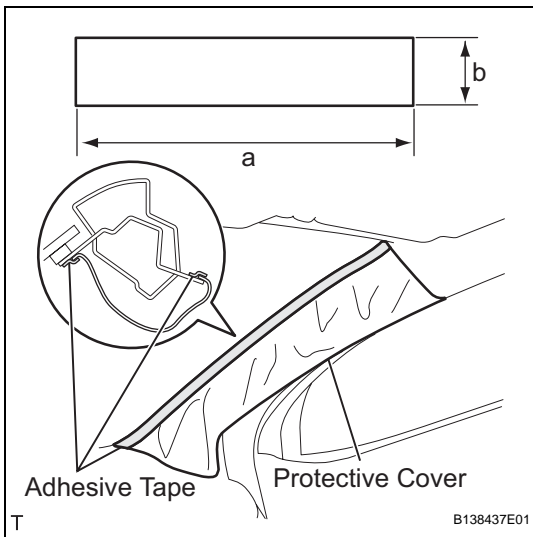
(b) w/o Curtain Shield Airbag:

(1) Disengage the 2 clips and the 2 claws and remove the front pillar garnish.



(c) Disconnect the antenna connector.

(d) Using a clip remover, remove the 3 clamps.

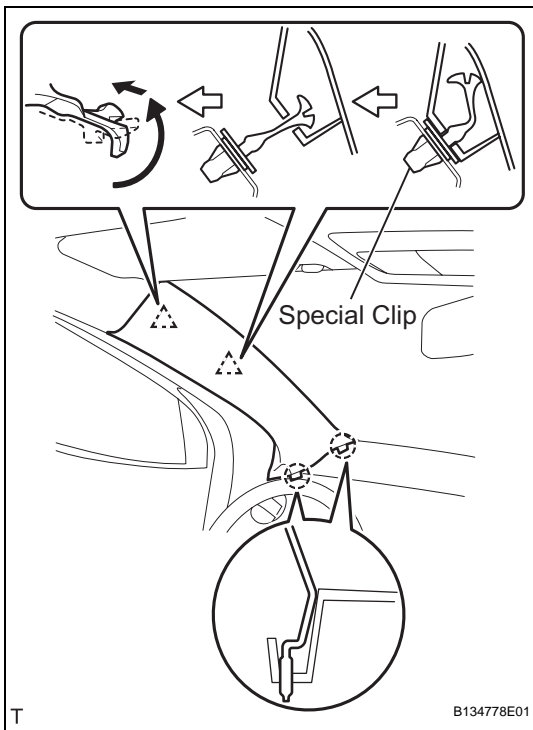


(e) w/ Curtain Shield Airbag:

- (1) Completely cover the curtain shield airbag with a piece of cloth or nylon and fix the ends of the fabric with adhesive tape, as shown in the illustration.

Protective cover size

Area	Measurement
a	700 mm (27.56 in.)
b	120 mm (4.72 in.)



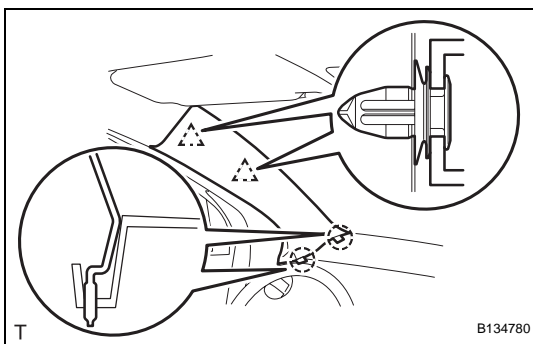
36. REMOVE FRONT PILLAR GARNISH LH

(a) w/ Curtain Shield Airbag:

NOTICE:

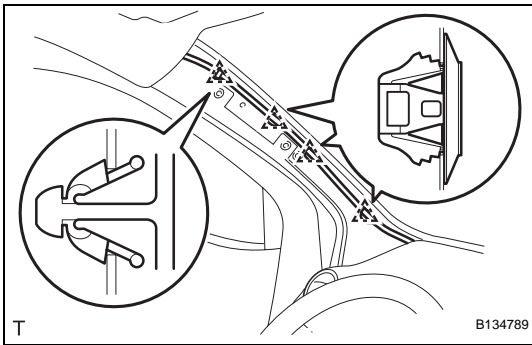
- Install a protective cover onto the curtain shield airbag as soon as the front pillar garnish is removed.
- Replace the special clip with a new one when the front pillar garnish is removed.

- (1) Disengage the 2 clips and the 2 claws and remove the front pillar garnish.

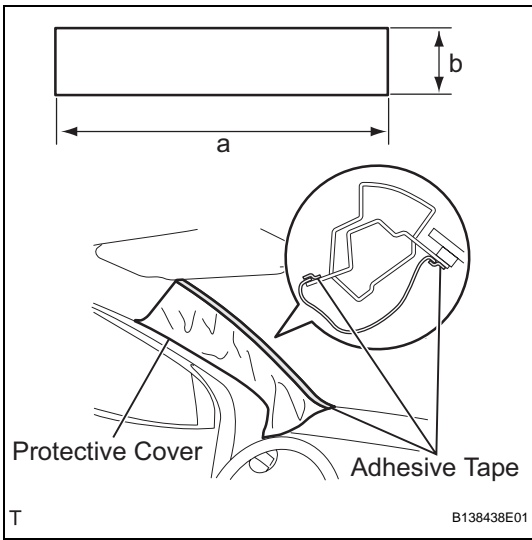


(b) w/o Curtain Shield Airbag:

- (1) Disengage the 2 clips and the 2 claws and remove the front pillar garnish.



(c) Using a clip remover, remove the 4 clamps.



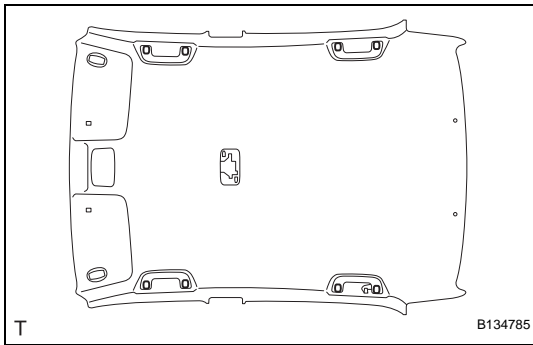
(d) w/ Curtain Shield Airbag:

- (1) Completely cover the curtain shield airbag with a piece of cloth or nylon and fix the ends of the fabric with adhesive tape, as shown in the illustration.

Protective cover size

Area	Measurement
a	700 mm (27.56 in.)
b	120 mm (4.72 in.)

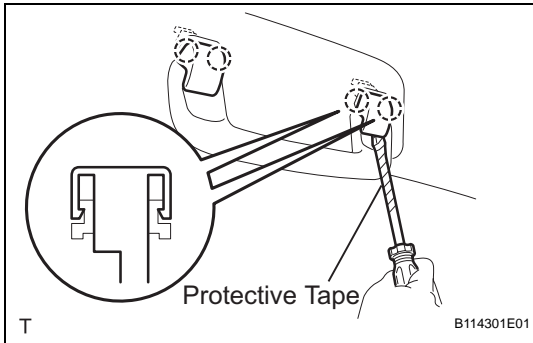
37. REMOVE INSTRUMENT PANEL LOWER CENTER FINISH PANEL (See page [ME-138](#))
38. REMOVE SHIFT LEVER KNOB SUB-ASSEMBLY (for Manual Transaxle) (See page [IP-84](#))
39. REMOVE REAR CONSOLE BOX UPPER FRONT PANEL SUB-ASSEMBLY (See page [IP-84](#))
40. REMOVE REAR CONSOLE BOX UPPER REAR PANEL SUB-ASSEMBLY (See page [IP-84](#))
41. REMOVE REAR CONSOLE BOX CARPET (See page [IP-85](#))
42. REMOVE REAR CONSOLE BOX ASSEMBLY (See page [IP-85](#))
43. REMOVE INSTRUMENT PANEL FINISH PANEL END RH (See page [ME-138](#))
44. REMOVE INSTRUMENT PANEL FINISH PANEL END LH (See page [ME-138](#))
45. REMOVE INSTRUMENT CLUSTER FINISH PANEL (See page [ME-139](#))
46. REMOVE COMBINATION METER ASSEMBLY (See page [ME-139](#))
47. REMOVE GLOVE COMPARTMENT DOOR ASSEMBLY (See page [IP-6](#))
48. REMOVE UPPER INSTRUMENT PANEL SUB-ASSEMBLY (See page [IP-6](#))
49. REMOVE INSTRUMENT PANEL BOX (See page [IP-45](#))



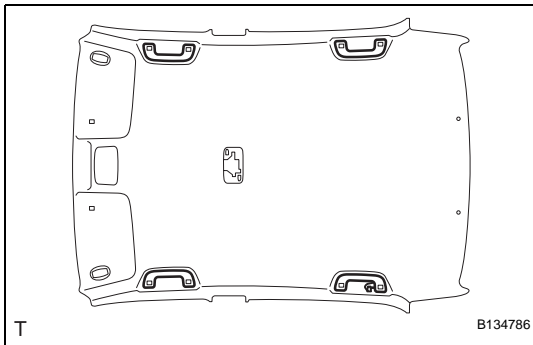
50. REMOVE ASSIST GRIP COVER

HINT:

Use the same procedure to remove all the assist grip covers.



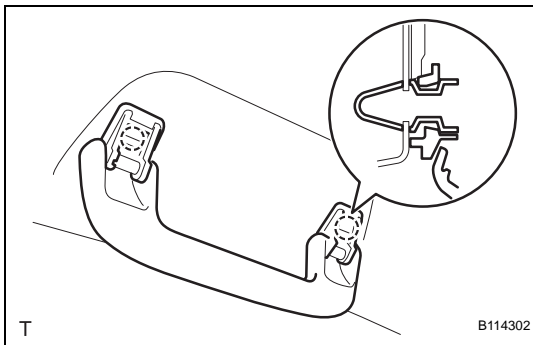
- (a) Using a screwdriver with its tip wrapped in protective tape, disengage the 2 claws and remove the assist grip cover.



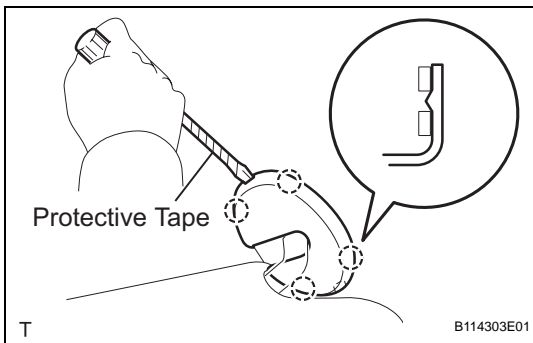
51. REMOVE ASSIST GRIP SUB-ASSEMBLY

HINT:

Use the same procedure to remove all the assist grips.

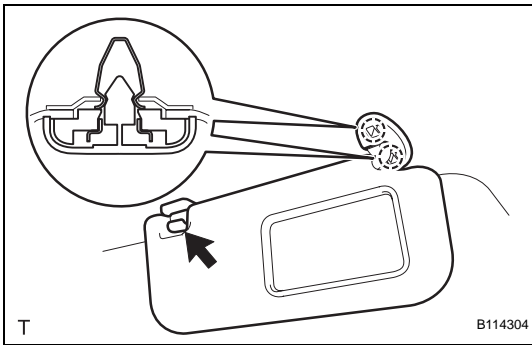


- (a) Disengage the 2 springs and remove the assist grip.



52. REMOVE VISOR ASSEMBLY RH

- (a) Using a screwdriver with its tip wrapped in protective tape, disengage the 4 claws and remove the visor bracket cover.

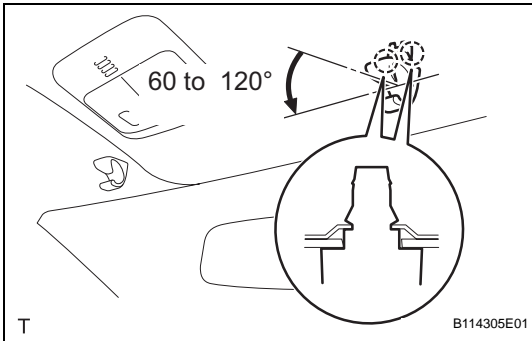


- (b) Remove the visor shaft from the visor holder.
- (c) Disengage the 2 springs and remove the visor.

53. REMOVE VISOR ASSEMBLY LH

HINT:

Use the same procedure as for the RH side.



54. REMOVE VISOR HOLDER RH

- (a) Disengage the 2 claws by turning the visor counterclockwise between 60 to 120° and remove the visor holder.

HINT:

The claw may be damaged during removal. However, it is reusable because this does not effect its function.

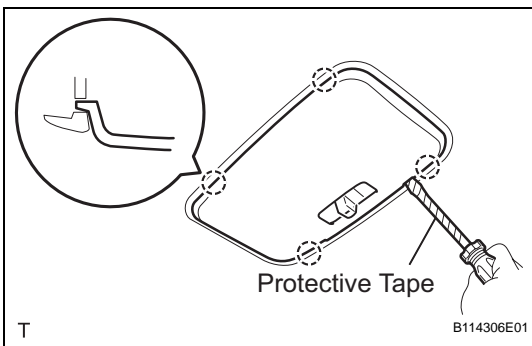
55. REMOVE VISOR HOLDER LH

HINT:

Use the same procedure as for the RH side.

56. REMOVE ROOM LIGHT ASSEMBLY

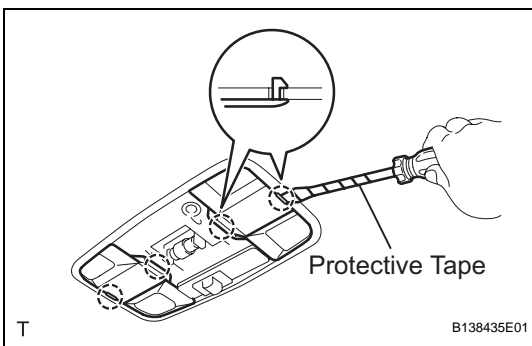
- (a) Using a screwdriver with its tip wrapped in protective tape, disengage the 4 claws and remove the room light lens.

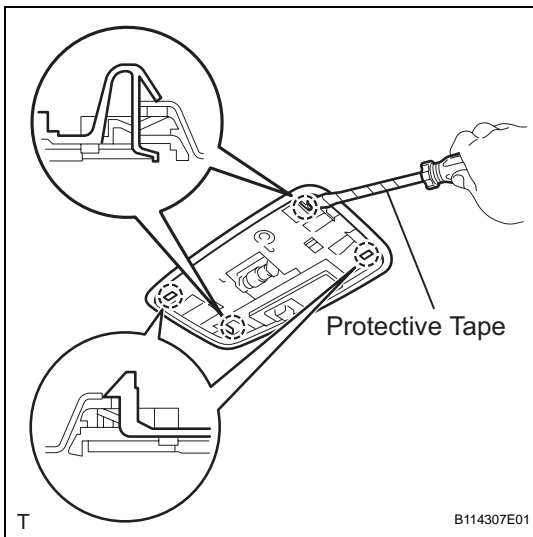


- (b) Using a screwdriver with its tip wrapped in protective tape, disengage the 2 claws and remove the cover.

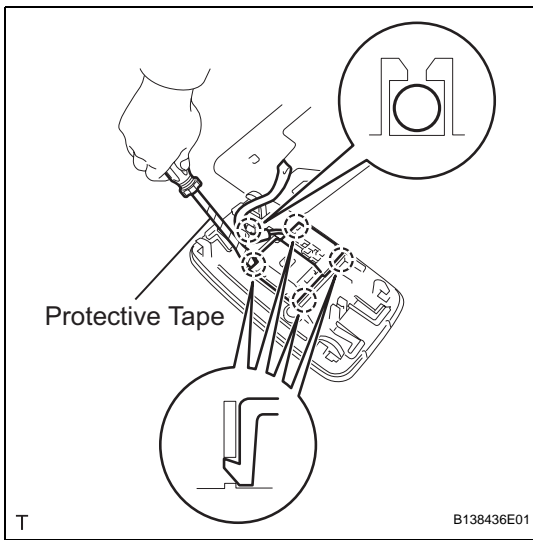
HINT:

Use the same procedure for both sides.

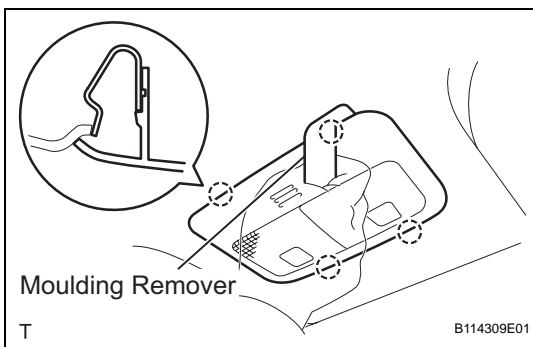




- (c) Using a screwdriver with its tip wrapped in protective tape, disengage the 4 claws and remove the room light.

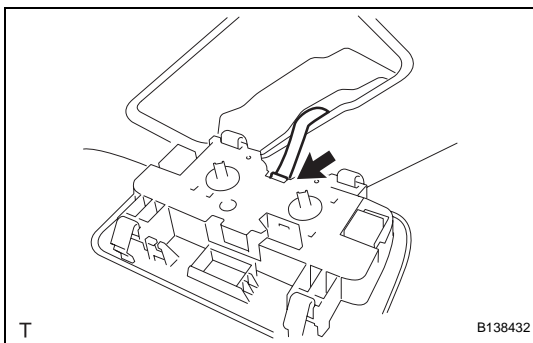


- (d) Remove the roof wire from the claw of the room light.
- (e) Using a screwdriver with its tip wrapped in protective tape, disengage the 4 claws and disconnect the room light switch base.



57. REMOVE MAP LIGHT ASSEMBLY

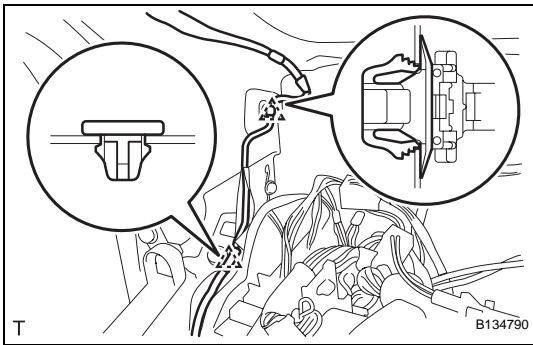
- (a) Using a moulding remover, disengage the 4 claws and remove the map light.



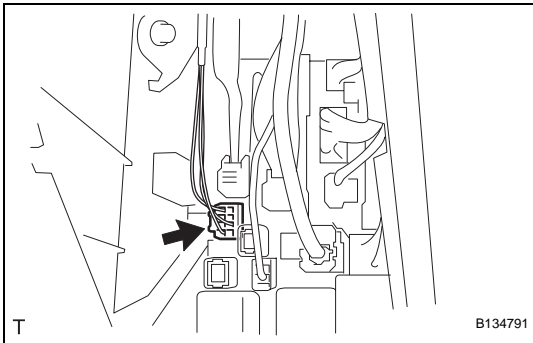
- (b) Disconnect the map light connector.

58. REMOVE ROOF HEADLINING ASSEMBLY

(a) Using a clip remover, remove the 2 clamps.

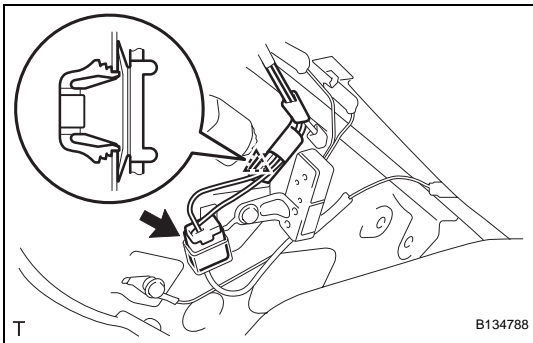


(b) Disconnect the roof wire connector.



(c) Using a clip remover, remove the clamp.

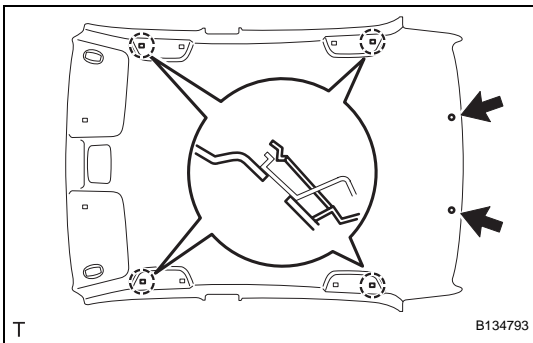
(d) Disconnect the antenna connector.



(e) w/ Curtain Shield Airbag:

(1) Using a clip remover, remove the 2 clips.

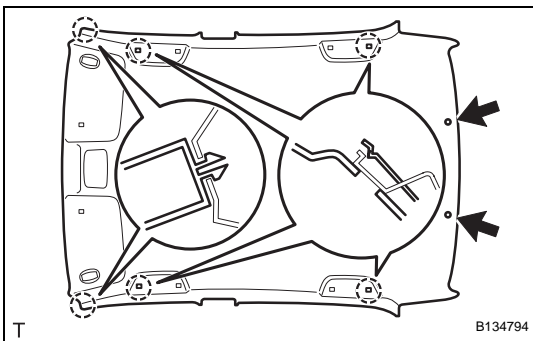
(2) Disengage the 4 hooks.



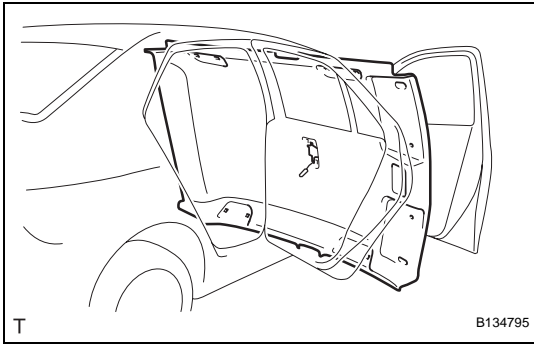
(f) w/o Curtain Shield Airbag:

(1) Using a clip remover, remove the 2 clips.

(2) Disengage the 2 claws and 4 hooks.



(g) Remove the roof headlining from the front door.



INSTALLATION

CAUTION:

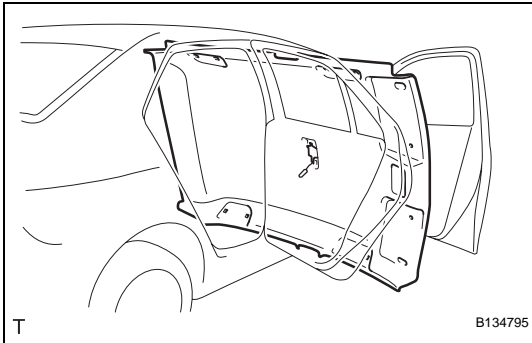
Some of these service operations affect the SRS airbag system. Read the precautionary notices concerning the SRS airbag system before servicing (See page RS-1).

NOTICE:

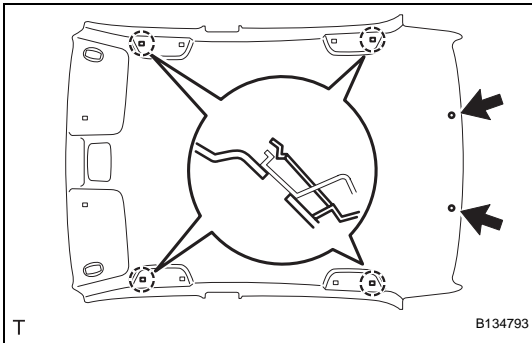
Always use "Torx" socket wrench E10 when installing the front seat.

1. INSTALL ROOF HEADLINING ASSEMBLY

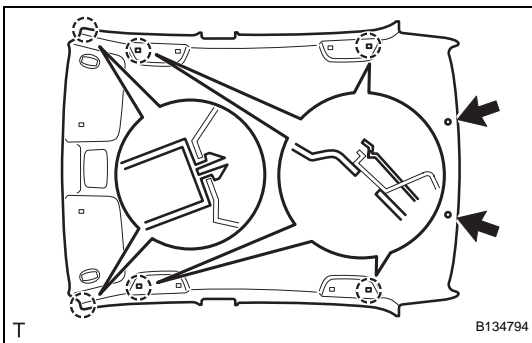
- (a) Install the roof headlining into the front door.



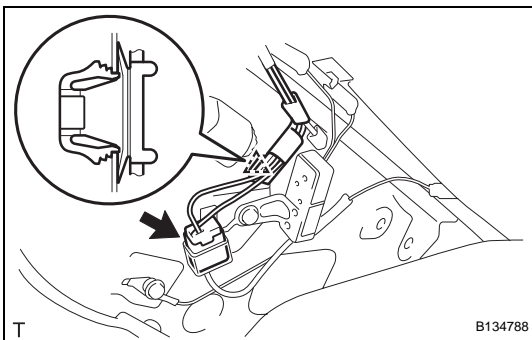
- (b) w/ Curtain Shield Airbag:
 (1) Engage the 4 hooks.
 (2) Install the 2 clips.

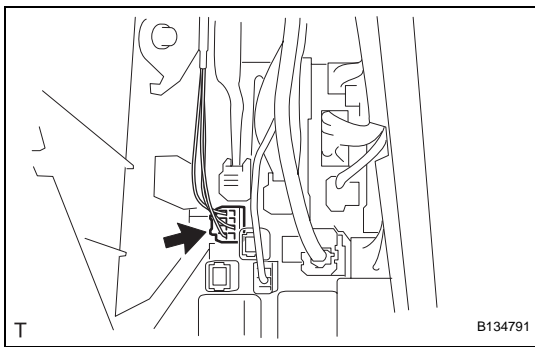


- (c) w/o Curtain Shield Airbag:
 (1) Engage the 2 claws and 4 hooks.
 (2) Install the 2 clips.

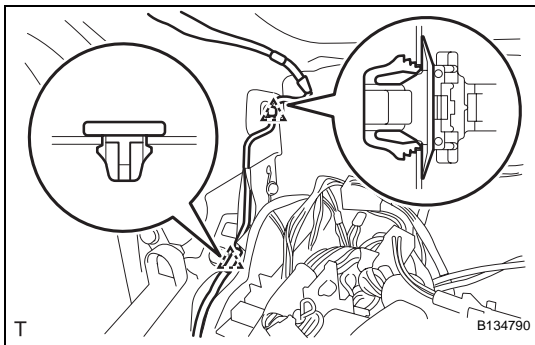


- (d) Connect the antenna connector.
 (e) Install the clamp.

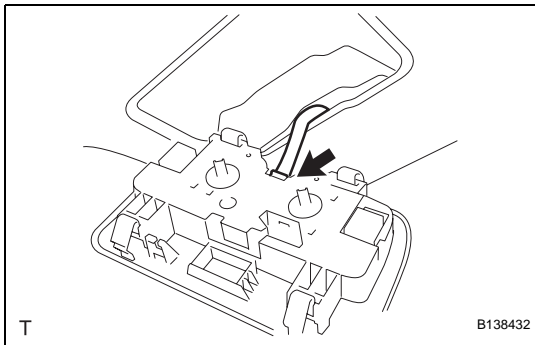




(f) Connect the roof wire connector.

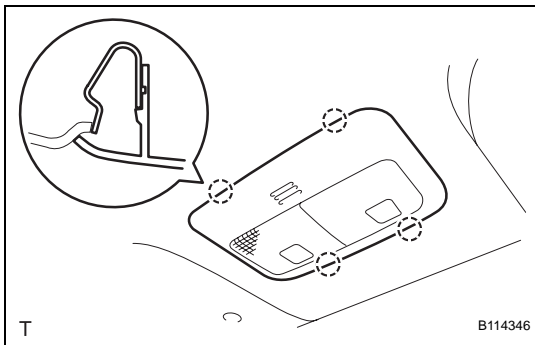


(g) Install the 2 clamps.

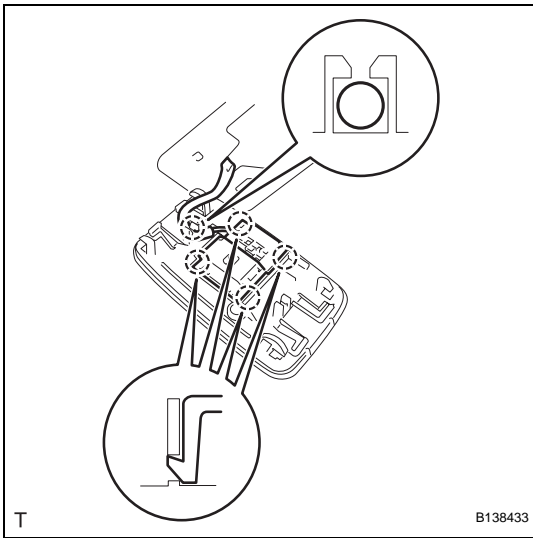


2. INSTALL MAP LIGHT ASSEMBLY

(a) Connect the map light connector.

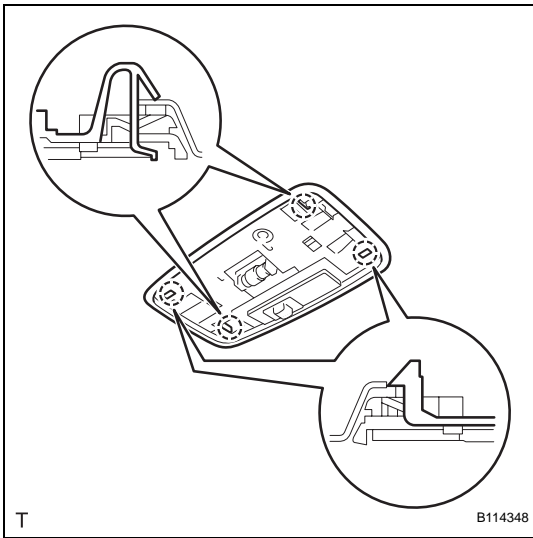


(b) Engage the 4 claws and install the map light.

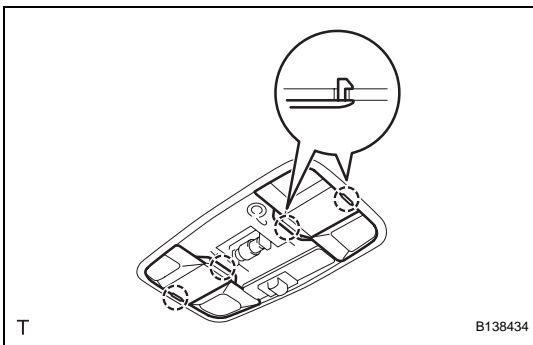


3. INSTALL ROOM LIGHT ASSEMBLY

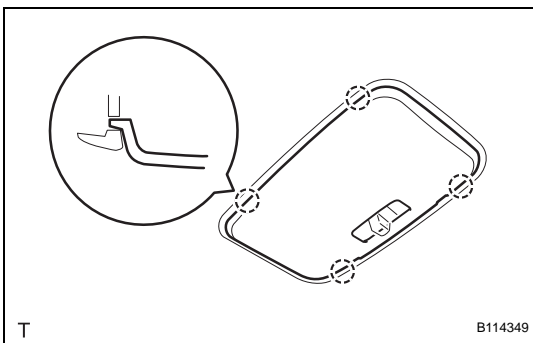
- (a) Engage the 4 claws and install the room light switch base.
- (b) Install the roof wire into the claw of the room light.



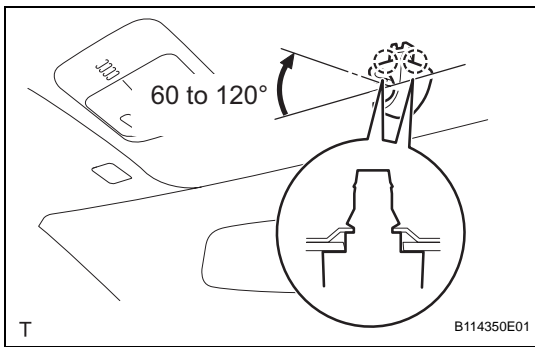
- (c) Engage the 4 claws and install the room light.



- (d) Engage the 2 claws and install the cover.
HINT:
Use the same procedure for both sides.



- (e) Engage the 4 claws and install the room light lens.



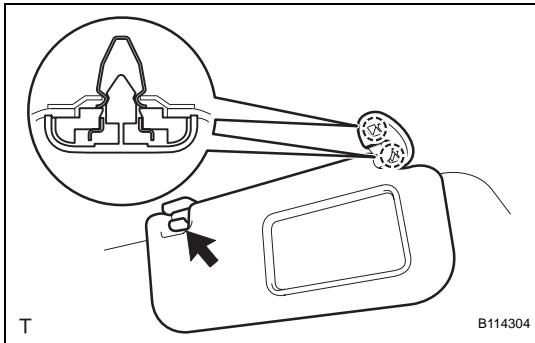
4. INSTALL VISOR HOLDER RH

- (a) Engage the 2 claws by turning the visor holder clockwise between 60 to 120° and install the visor holder.

5. INSTALL VISOR HOLDER LH

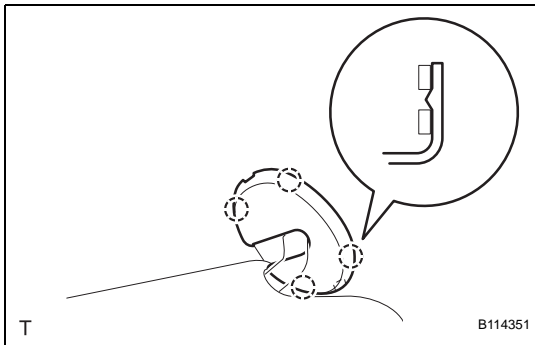
HINT:

Use the same procedure as for the RH side.



6. INSTALL VISOR ASSEMBLY RH

- (a) Engage the 2 springs and install the visor.
- (b) Install the visor shaft into the visor holder.

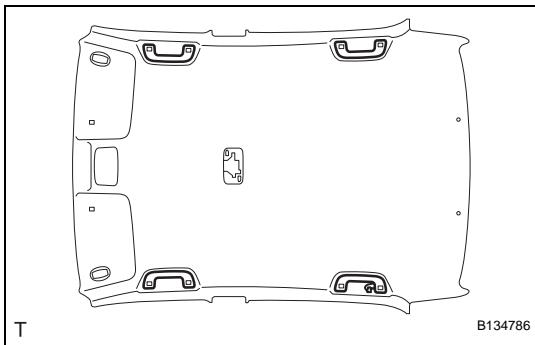


- (c) Engage the 4 claws and install the visor bracket cover.

7. INSTALL VISOR ASSEMBLY LH

HINT:

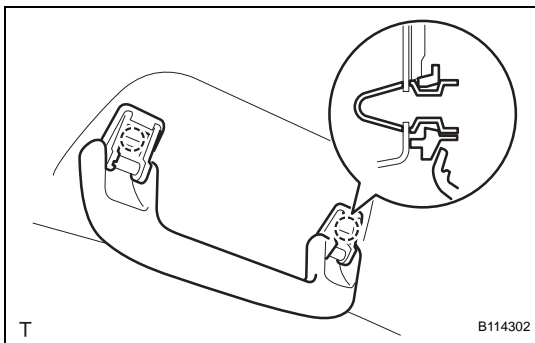
Use the same procedure as for the RH side.



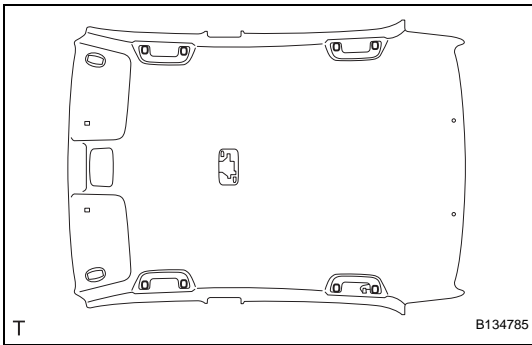
8. INSTALL ASSIST GRIP SUB-ASSEMBLY

HINT:

Use the same procedure to install all the assist grips.



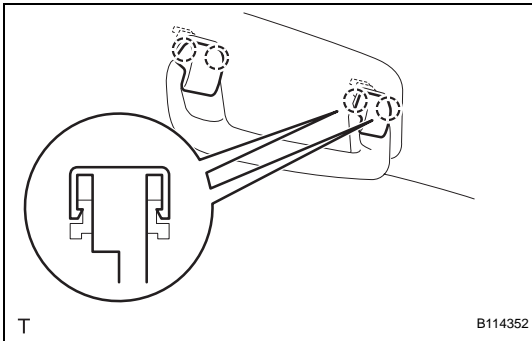
- (a) Engage the 2 springs and install the assist grip.



9. INSTALL ASSIST GRIP COVER

HINT:

Use the same procedure to install all the assist grip covers.



(a) Engage the 2 claws and install the assist grip cover.

10. INSTALL INSTRUMENT PANEL BOX (See page [IP-53](#))

11. INSTALL UPPER INSTRUMENT PANEL SUB-ASSEMBLY (See page [IP-11](#))

12. INSTALL GLOVE COMPARTMENT DOOR ASSEMBLY (See page [IP-13](#))

13. INSTALL COMBINATION METER ASSEMBLY (See page [ME-140](#))

14. INSTALL INSTRUMENT CLUSTER FINISH PANEL (See page [ME-140](#))

15. INSTALL INSTRUMENT PANEL FINISH PANEL END RH (See page [ME-141](#))

16. INSTALL INSTRUMENT PANEL FINISH PANEL END LH (See page [ME-141](#))

17. INSTALL REAR CONSOLE BOX ASSEMBLY (See page [IP-88](#))

18. INSTALL REAR CONSOLE BOX CARPET (See page [IP-88](#))

19. INSTALL REAR CONSOLE BOX UPPER REAR PANEL SUB-ASSEMBLY (See page [IP-89](#))

20. INSTALL REAR CONSOLE BOX UPPER FRONT PANEL SUB-ASSEMBLY (See page [IP-89](#))

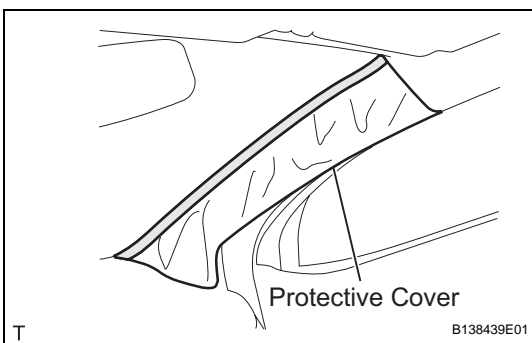
21. INSTALL SHIFT LEVER KNOB SUB-ASSEMBLY (for Manual Transaxle) (See page [IP-89](#))

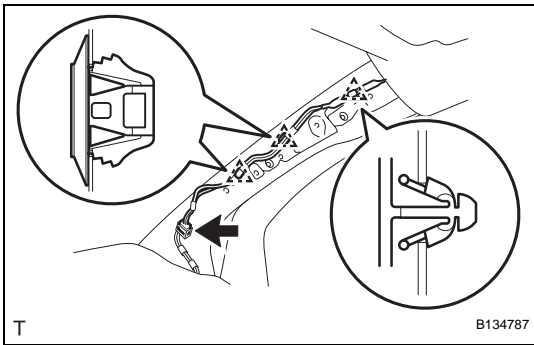
22. INSTALL INSTRUMENT PANEL LOWER CENTER FINISH PANEL (See page [ME-142](#))

23. INSTALL FRONT PILLAR GARNISH RH

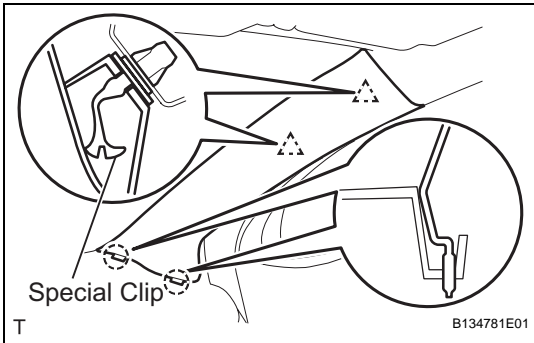
(a) w/ Curtain Shield Airbag:

(1) Remove the piece of cloth or nylon.

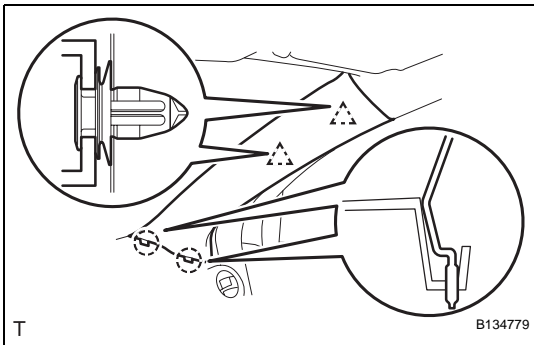




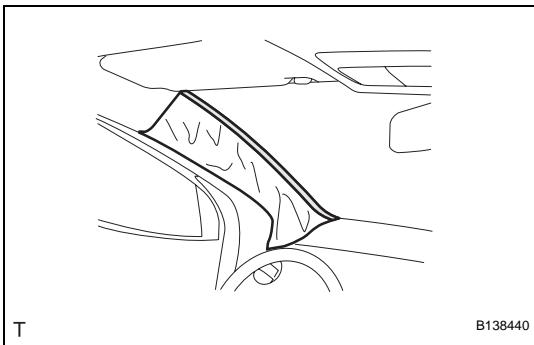
- (b) Install the 3 clamps.
- (c) Connect the antenna connector.



- (d) w/ Curtain Shield Airbag:
 - (1) Install 2 new special clips and the clip onto the front pillar garnish.
 - (2) Engage the 2 clips and the 2 claws and install the front pillar garnish.

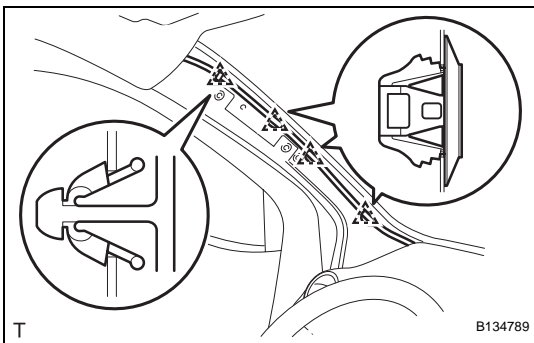


- (e) w/o Curtain Shield Airbag:
 - (1) Engage the 2 clips and the 2 claws and install the front pillar garnish.

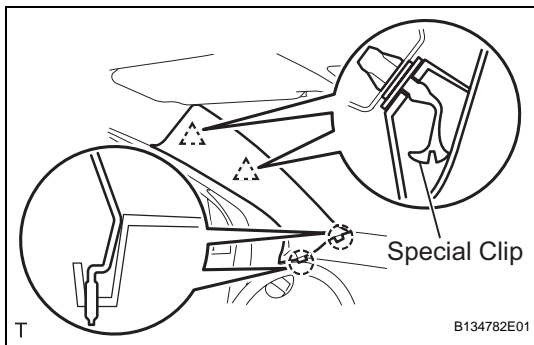


24. INSTALL FRONT PILLAR GARNISH LH

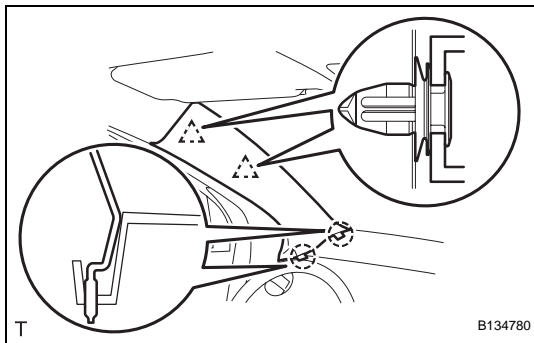
- (a) w/ Curtain Shield Airbag:
 - (1) Remove the piece of cloth or nylon.



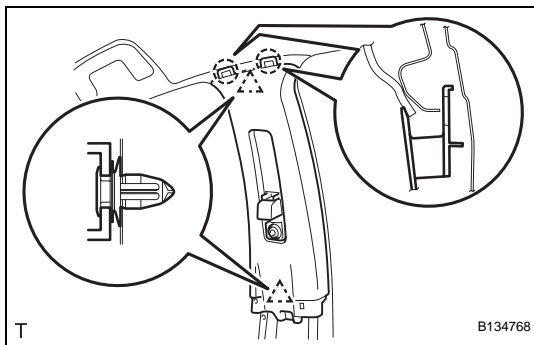
- (b) Install the 4 clamps.



- (c) w/ Curtain Shield Airbag:
- (1) Install 2 new special clips and the clip onto the front pillar garnish.
 - (2) Engage the 2 clips and the 2 claws and install the front pillar garnish.



- (d) w/o Curtain Shield Airbag:
- (1) Engage the 2 clips and the 2 claws and install the front pillar garnish.



25. INSTALL CENTER PILLAR UPPER GARNISH RH

- (a) Engage the 2 hooks and 2 clips and install the center pillar upper garnish.

26. INSTALL CENTER PILLAR UPPER GARNISH LH

HINT:

Use the same procedure as for the RH side.



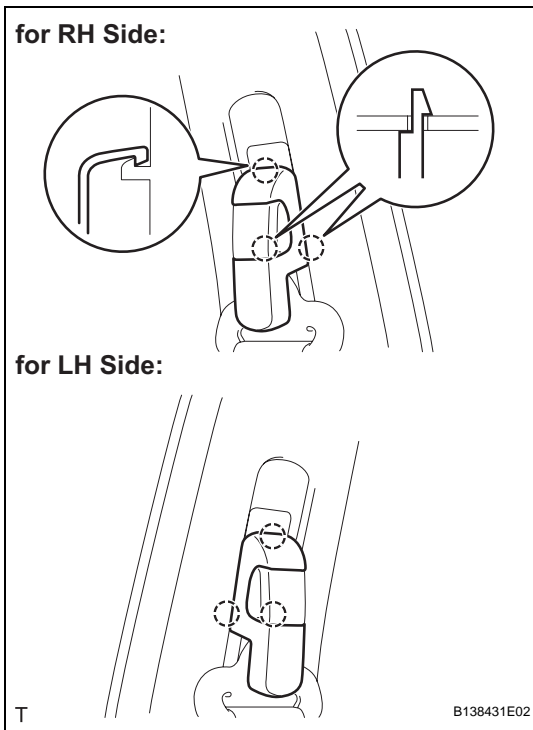
27. INSTALL FRONT SEAT OUTER BELT ASSEMBLY RH

- (a) Install the through anchor with the bolt.
Torque: 42 N*m (430 kgf*cm, 31 ft.*lbf)

28. INSTALL FRONT SEAT OUTER BELT ASSEMBLY LH

HINT:

Use the same procedure as for the RH side.

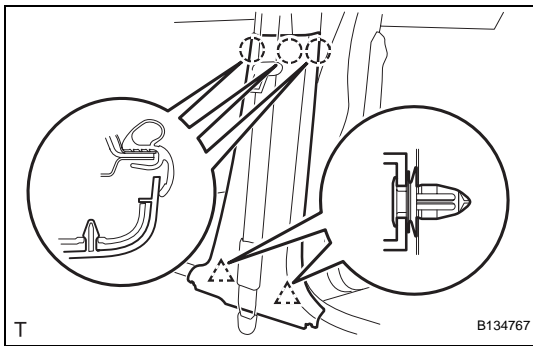


29. INSTALL SEAT BELT ANCHOR COVER CAP

HINT:

Use the same procedure for both sides.

- (a) Engage the 3 claws and install the seat belt anchor cover cap.



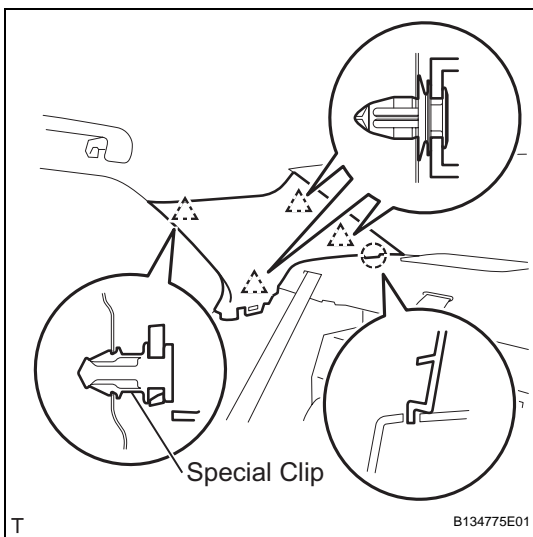
30. INSTALL CENTER PILLAR LOWER GARNISH RH

- (a) Engage the 2 clips and 3claws and install the center pillar lower garnish.

31. INSTALL CENTER PILLAR LOWER GARNISH LH

HINT:

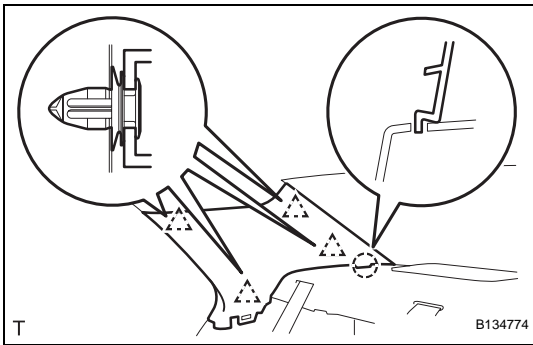
Use the same procedure as for the RH side.



32. INSTALL ROOF SIDE INNER GARNISH RH

- (a) w/ Curtain Shield Airbag:

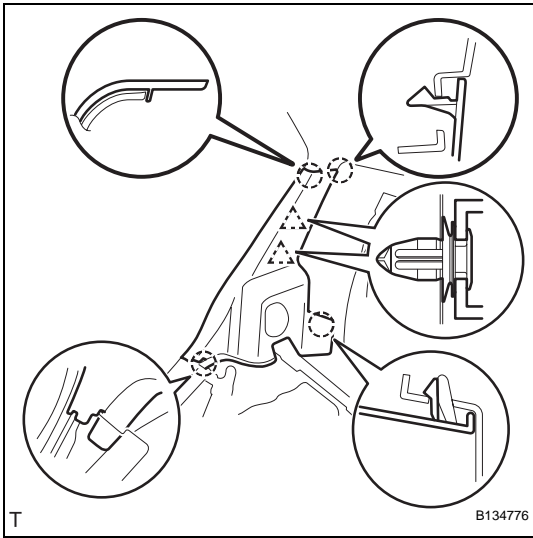
- (1) Install a new special clip and the clip onto the roof side inner garnish.
- (2) Engage the 4 clips and the claw and install the roof side inner garnish.



- (b) w/o Curtain Shield Airbag:
 - (1) Engage the 4 clips and the claw and install the roof side inner garnish.

33. INSTALL ROOF SIDE INNER GARNISH LH

HINT:
Use the same procedure as for the RH side.

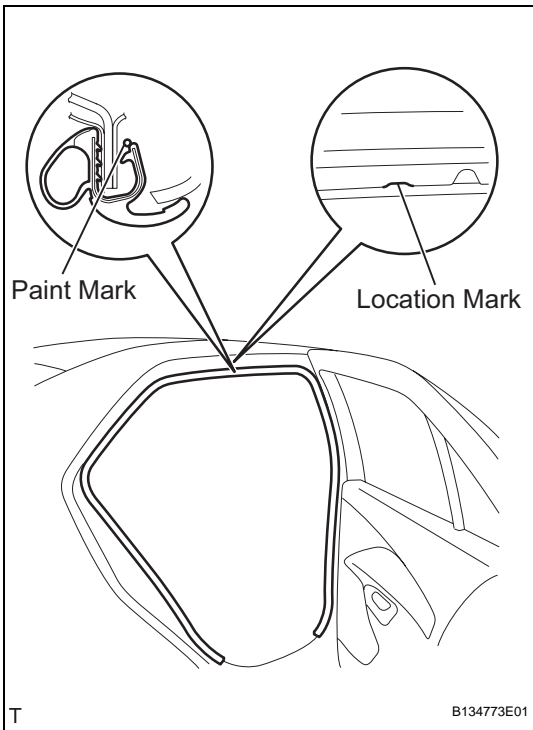


34. INSTALL REAR SEAT SIDE COVER RH

- (a) Engage the 2 clips and the 4 claws and install the rear seat side cover.

35. INSTALL REAR SEAT SIDE COVER LH

HINT:
Use the same procedure as for the RH side.



36. INSTALL REAR DOOR OPENING TRIM WEATHERSTRIP RH

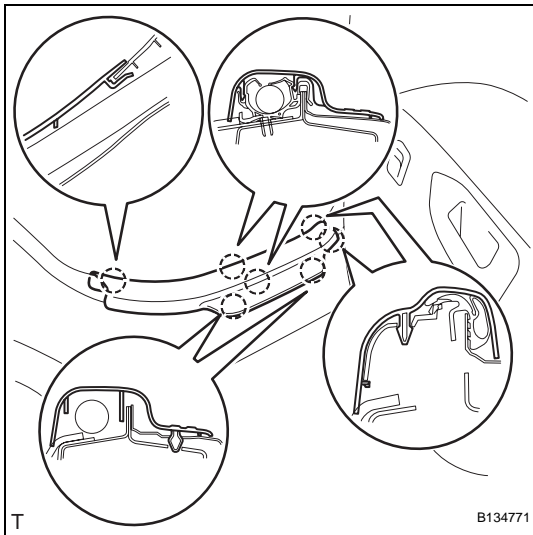
- (a) Align the location mark with the paint mark first, and install the rear door opening trim weatherstrip, as shown in the illustration.

Paint mark

Area	Color
RH side	Green
LH side	Red

37. INSTALL REAR DOOR OPENING TRIM WEATHERSTRIP LH

HINT:
Use the same procedure as for the RH side.



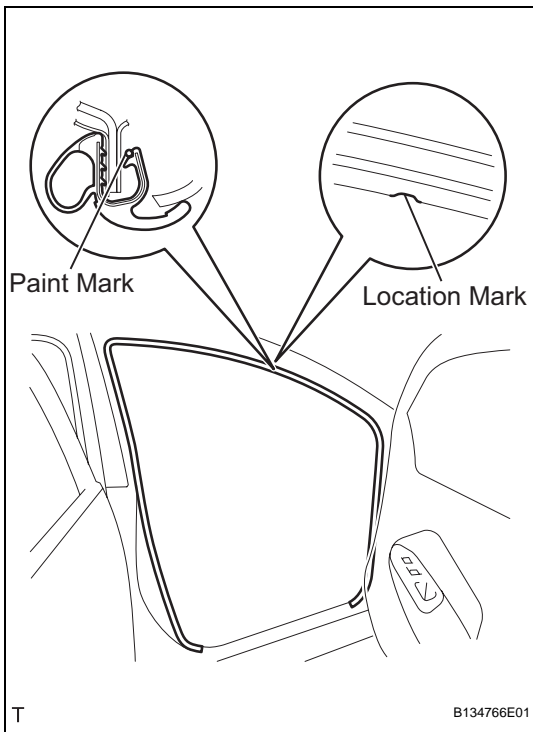
38. INSTALL REAR DOOR SCUFF PLATE RH

(a) Engage the 7 claws and install the rear door scuff plate.

39. INSTALL REAR DOOR SCUFF PLATE LH

HINT:

Use the same procedure as for the RH side.



40. INSTALL FRONT DOOR OPENING TRIM WEATHERSTRIP RH

(a) Align the location mark with the paint mark first, and install the front door opening trim weatherstrip, as shown in the illustration.

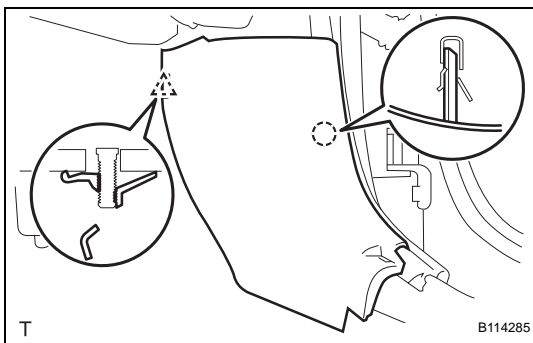
Paint mark

Area	Color
RH side	Blue
LH side	Pink

41. INSTALL FRONT DOOR OPENING TRIM WEATHERSTRIP LH

HINT:

Use the same procedure as for the RH side.



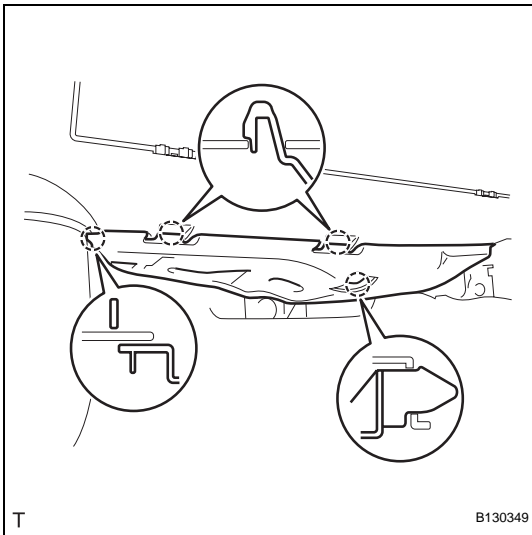
42. INSTALL COWL SIDE TRIM BOARD RH

(a) Engage the stud bolt and the claw and install the cowl side trim board.

43. INSTALL COWL SIDE TRIM BOARD LH

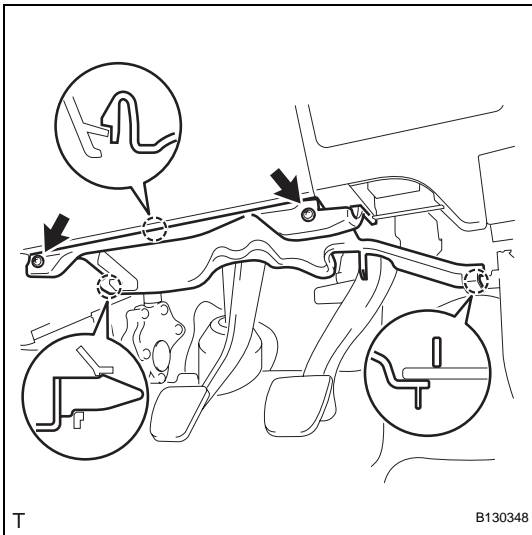
HINT:

Use the same procedure as for the RH side.



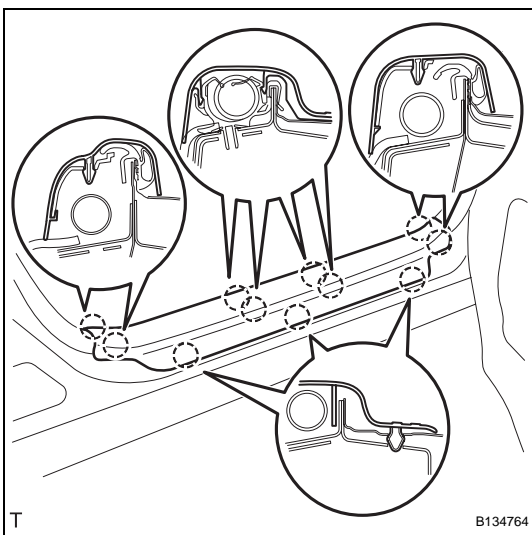
44. INSTALL INSTRUMENT PANEL UNDER COVER SUB-ASSEMBLY RH

- (a) Engage the 4 claws and install the instrument panel under cover.



45. INSTALL INSTRUMENT PANEL UNDER COVER SUB-ASSEMBLY LH

- (a) Engage the 3 claws and install the instrument panel under cover.
 (b) Tighten the 2 screws.



46. INSTALL FRONT DOOR SCUFF PLATE RH

- (a) Engage the 11 claws and install the front door scuff plate.

47. INSTALL FRONT DOOR SCUFF PLATE LH

HINT:

Use the same procedure as for the RH side.

48. INSTALL LUGGAGE COMPARTMENT TRIM INNER PAD (for 60/40 Split Seat Type) (See page ED-136)

49. INSTALL SPARE WHEEL COVER ASSEMBLY (for 60/40 Split Seat Type) (See page ED-137)

50. INSTALL LUGGAGE COMPARTMENT FLOOR MAT (for 60/40 Split Seat Type) (See page ED-137)

51. INSTALL REAR SEATBACK ASSEMBLY RH (for 60/40 Split Seat Type) (See page SE-65)

52. INSTALL REAR SEATBACK ASSEMBLY LH (for 60/40 Split Seat Type) (See page SE-52)

53. INSTALL REAR SEATBACK ASSEMBLY (for Fixed Seat Type) (See page SE-108)

54. INSTALL REAR SEAT CUSHION COVER PAD SUB-ASSEMBLY

- (a) for 60/40 Split Seat Type:
 - (1) Install the rear seat cushion cover pad sub-assembly (See page [SE-53](#)).
- (b) for Fixed Seat Type:
 - (1) Install the rear seat cushion cover pad sub-assembly (See page [SE-109](#)).

55. INSTALL FRONT SEAT ASSEMBLY LH (See page [SE-20](#))**56. INSTALL FRONT SEAT ASSEMBLY RH**

HINT:

Use the same procedure as for the LH side.

57. INSTALL FRONT SEAT HEADREST ASSEMBLY

HINT:

Use the same procedure for both sides.

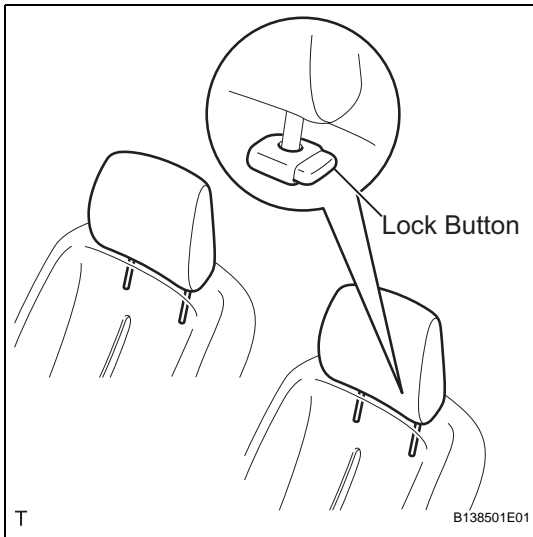
- (a) Push in the lock button of the front seat headrest support and install the front seat headrest.

58. CONNECT CABLE TO NEGATIVE BATTERY TERMINAL

Torque: 5.4 N*m (55 kgf*cm, 48 in.*lbf)

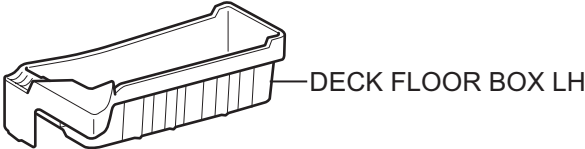
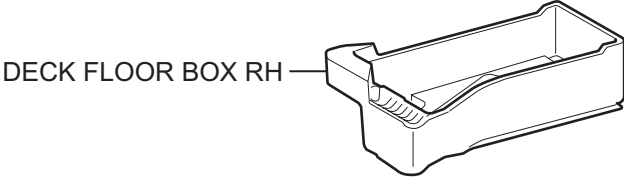
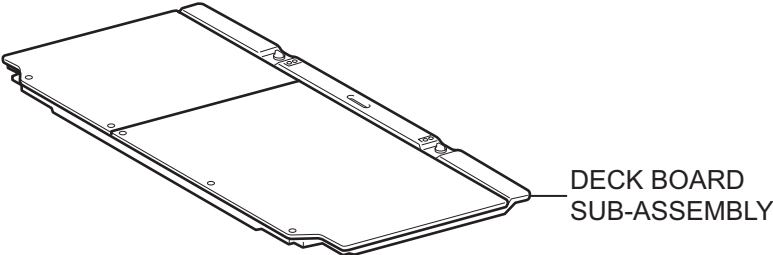
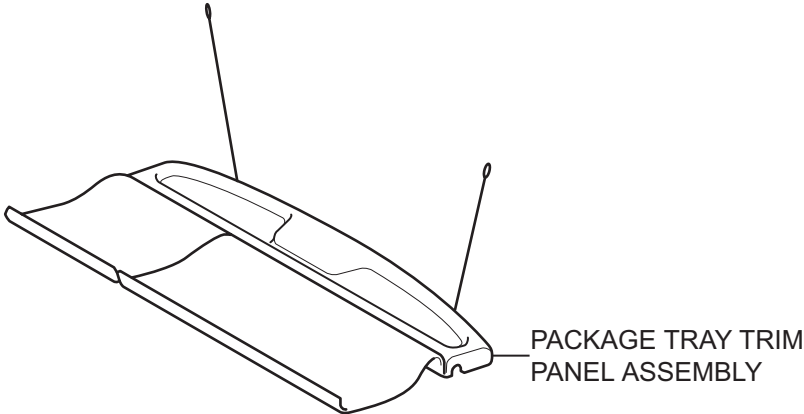
59. INSPECT SRS WARNING LIGHT

(See page [RS-31](#))

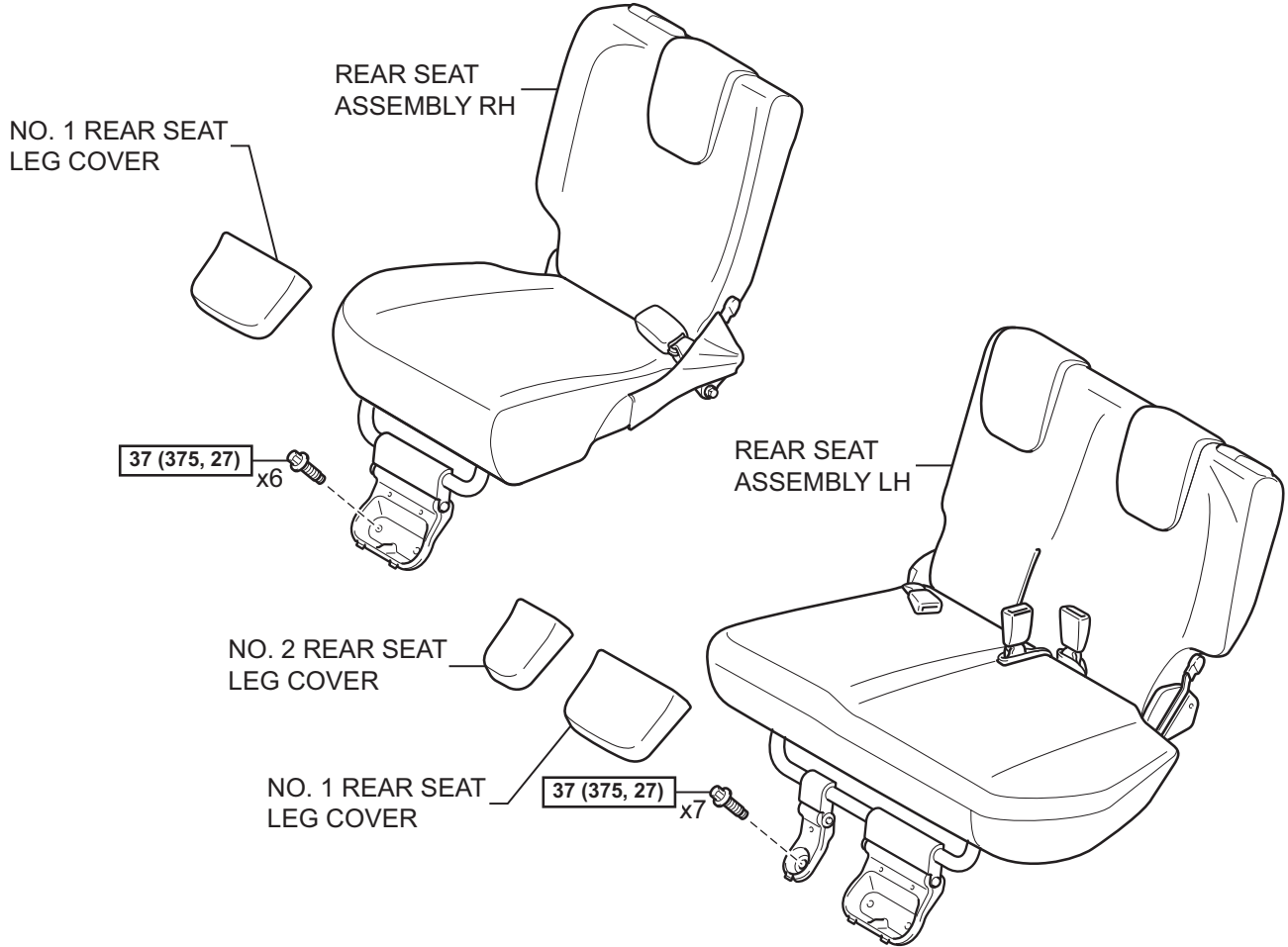


ROOF HEADLINING (for Hatchback 5 Door)

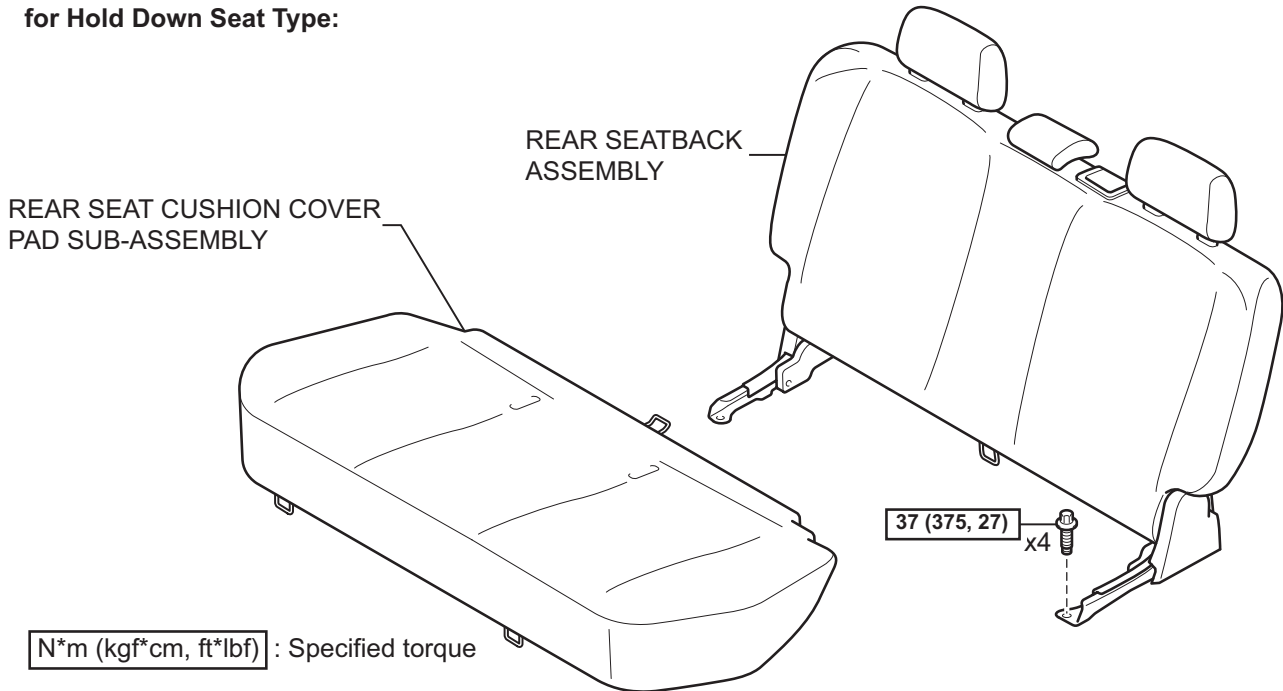
COMPONENTS



for 60/40 Split Seat Type:



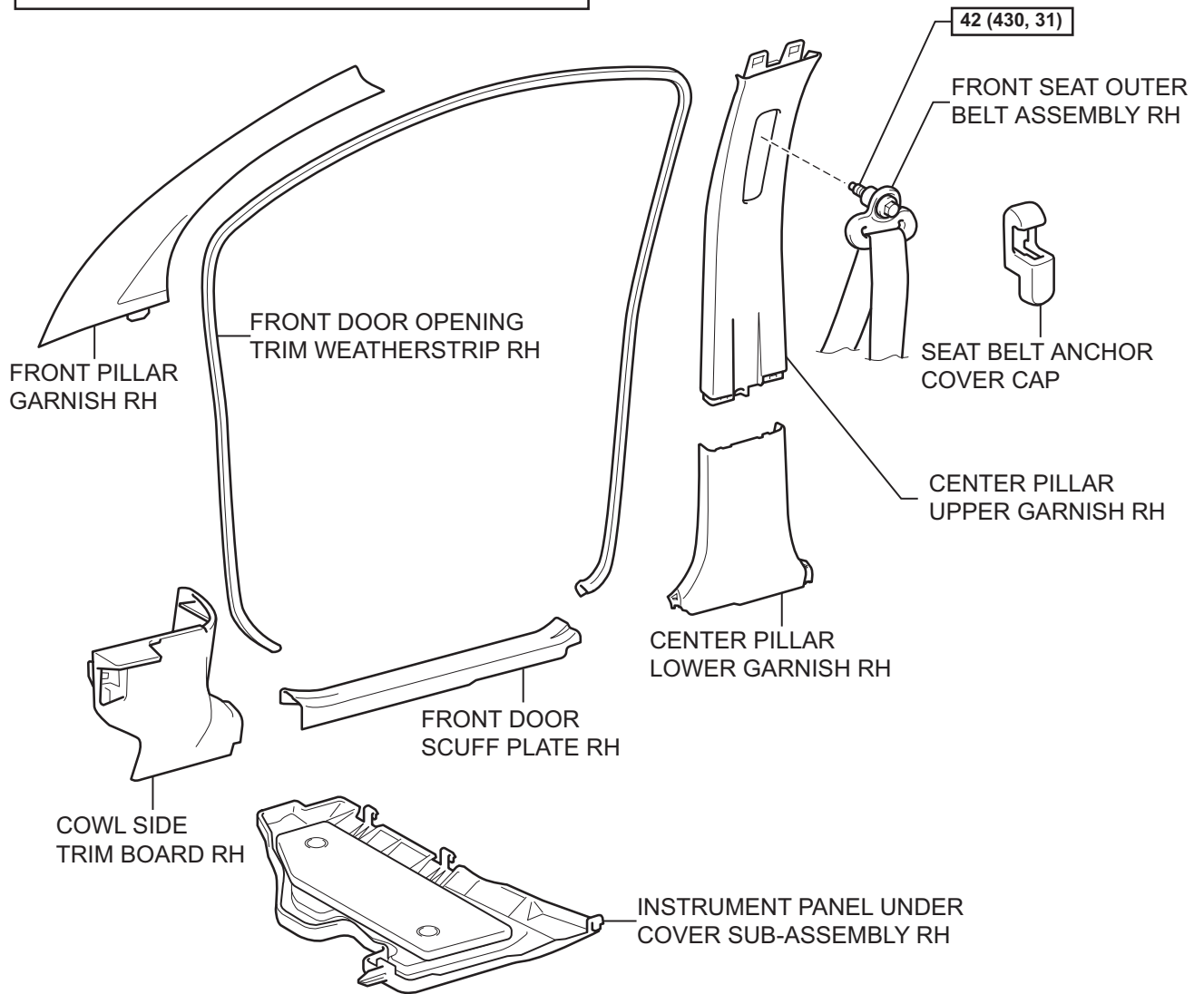
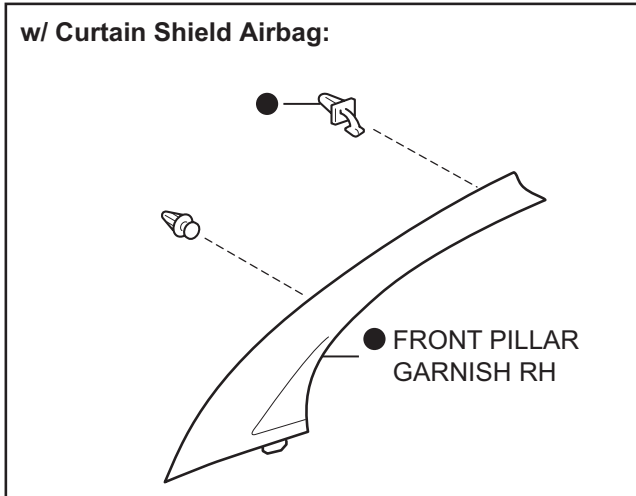
for Hold Down Seat Type:



N*m (kgf*cm, ft*lb) : Specified torque

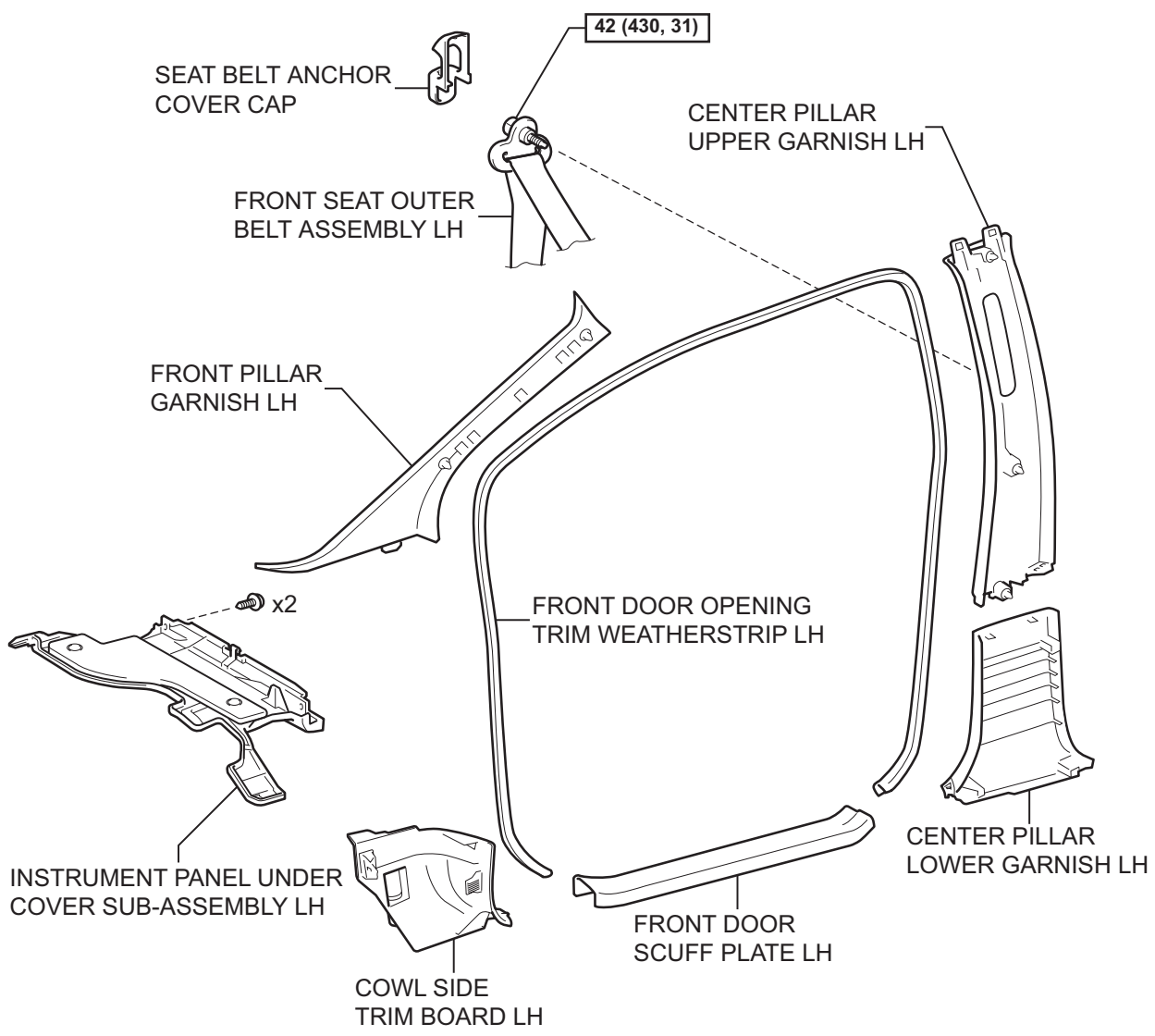
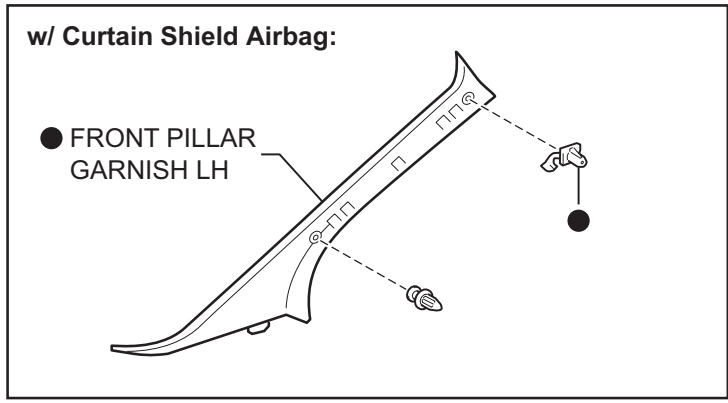
IR

w/ Curtain Shield Airbag:



[N*m (kgf*cm, ft*lbf)] : Specified torque

● Non-reusable part

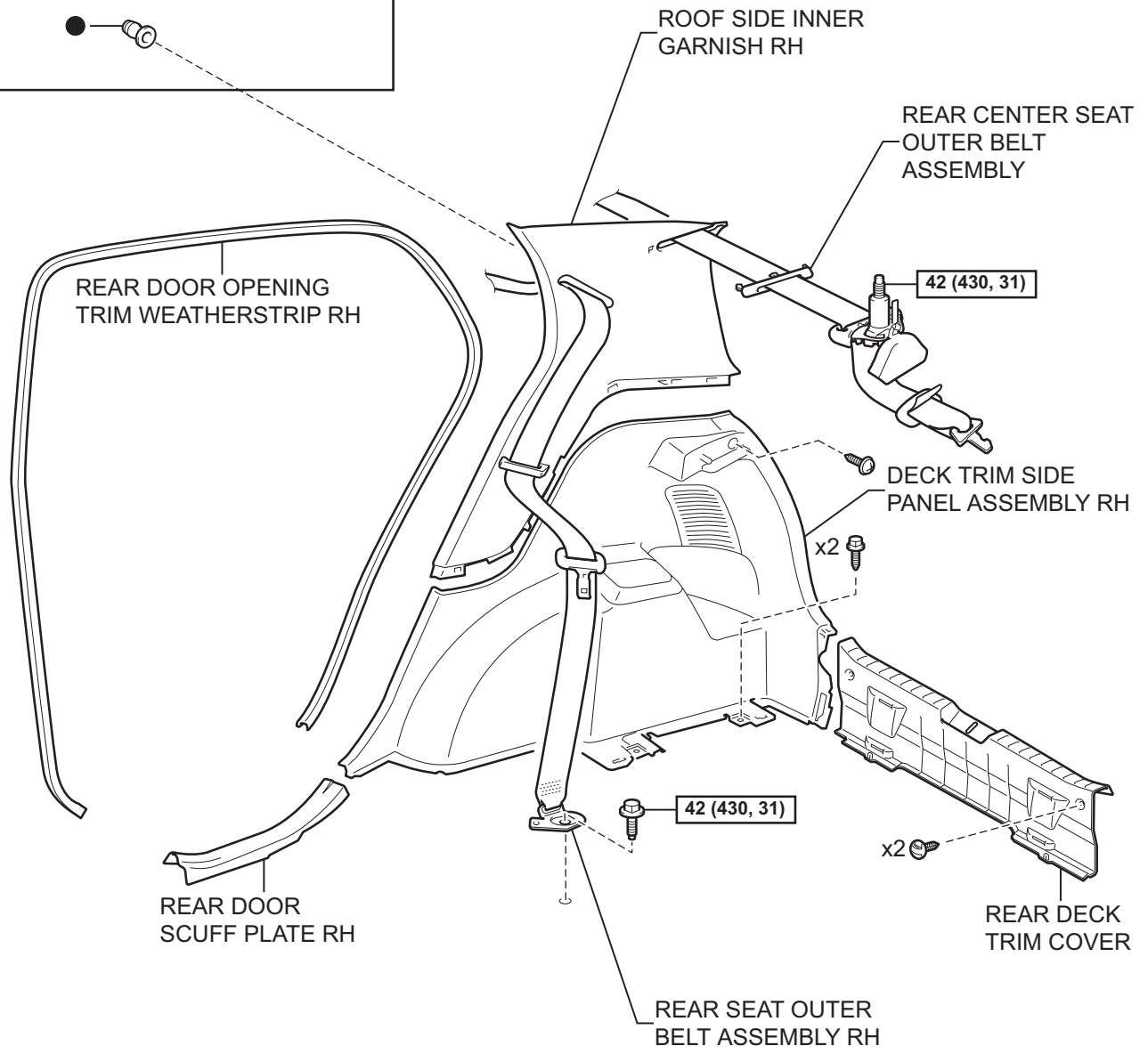


N*m (kgf*cm, ft*lbf) : Specified torque

● Non-reusable part

IR

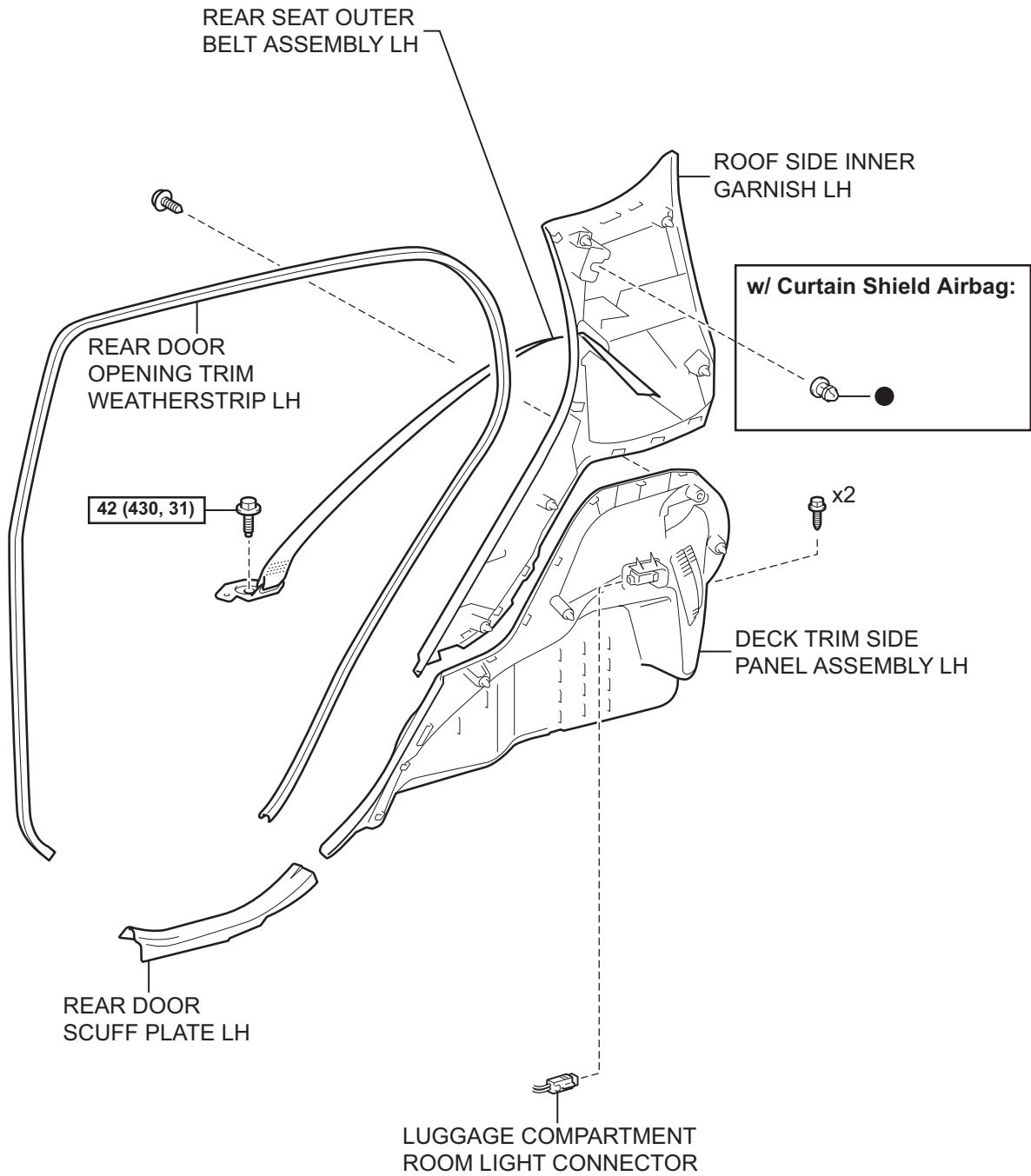
w/ Curtain Shield Airbag:



N*m (kgf*cm, ft*lbf) : Specified torque

● Non-reusable part

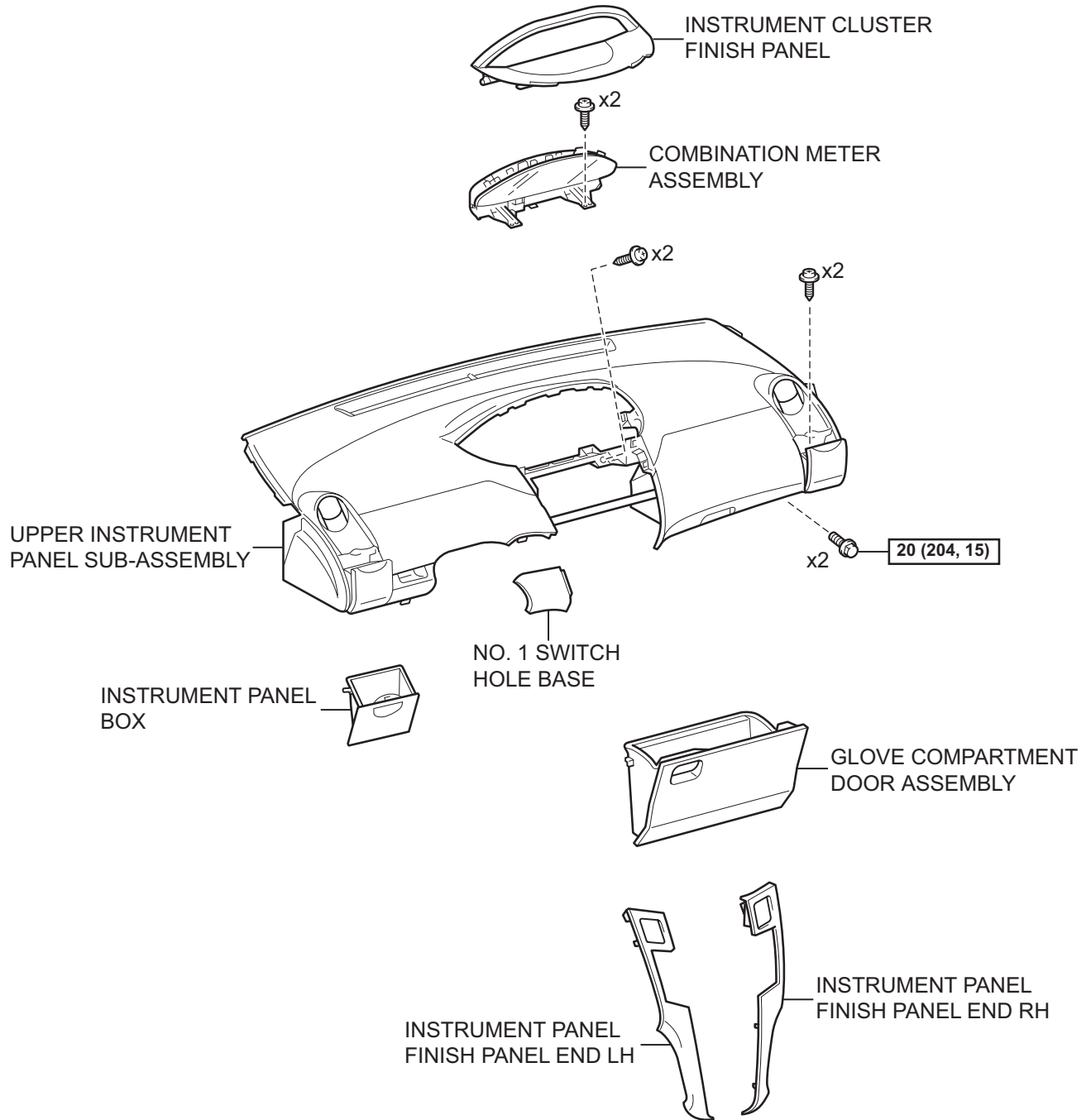
IR



N*m (kgf*cm, ft*lb) : Specified torque

● Non-reusable part

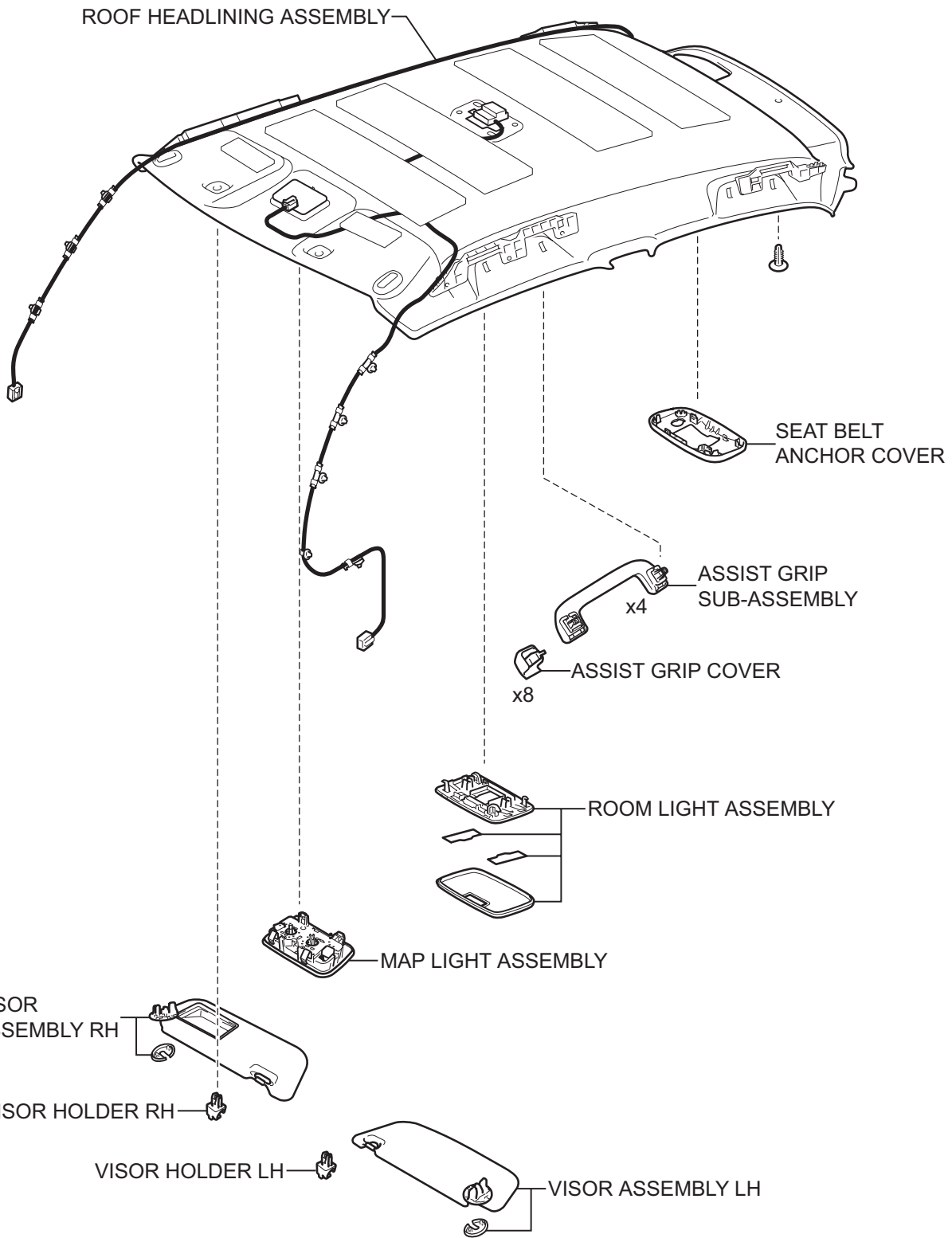
IR



N*m (kgf*cm, ft*lbf) : Specified torque

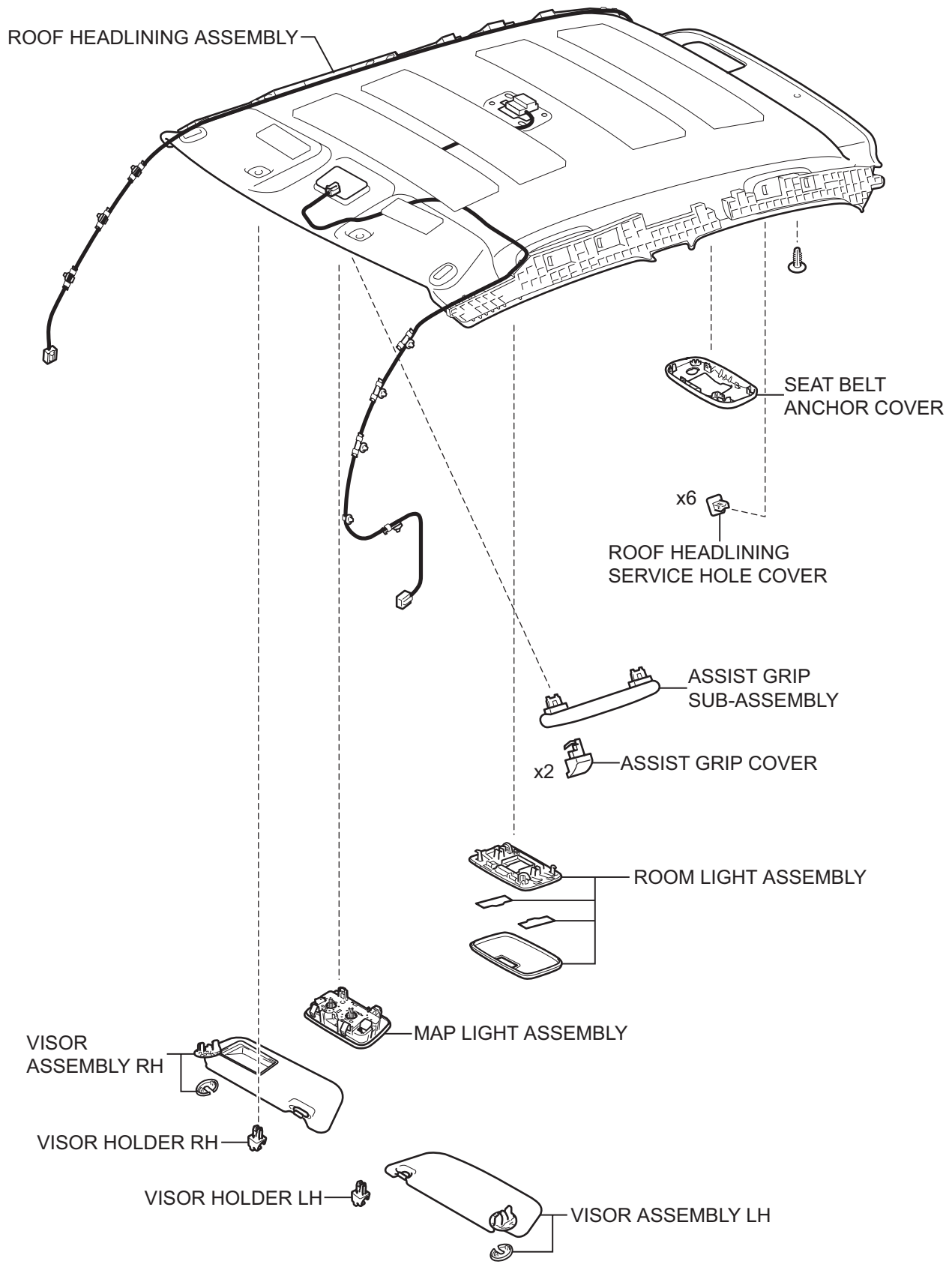
IR

w/ Curtain Shield Airbag:



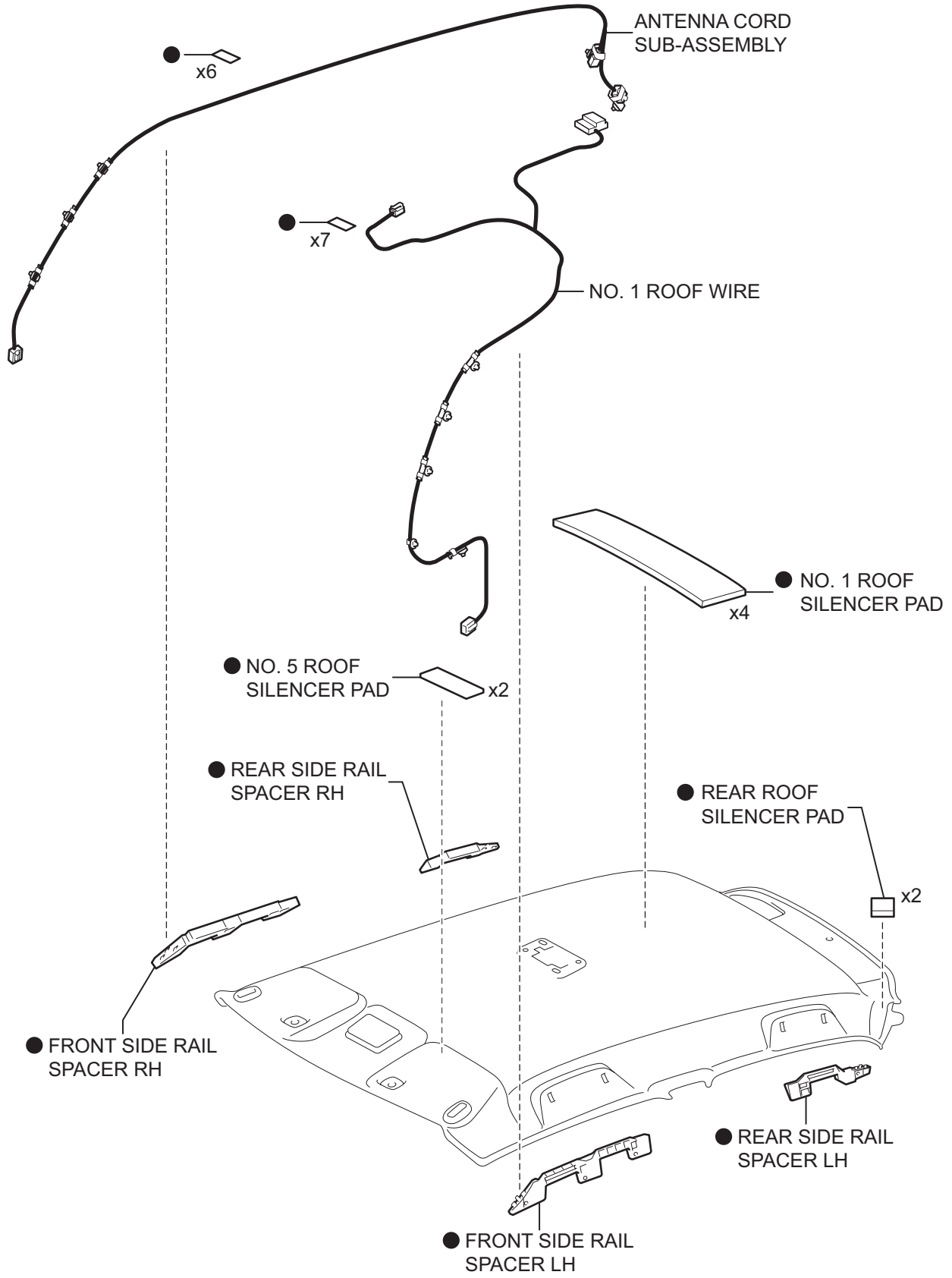
IR

w/o Curtain Shield Airbag:



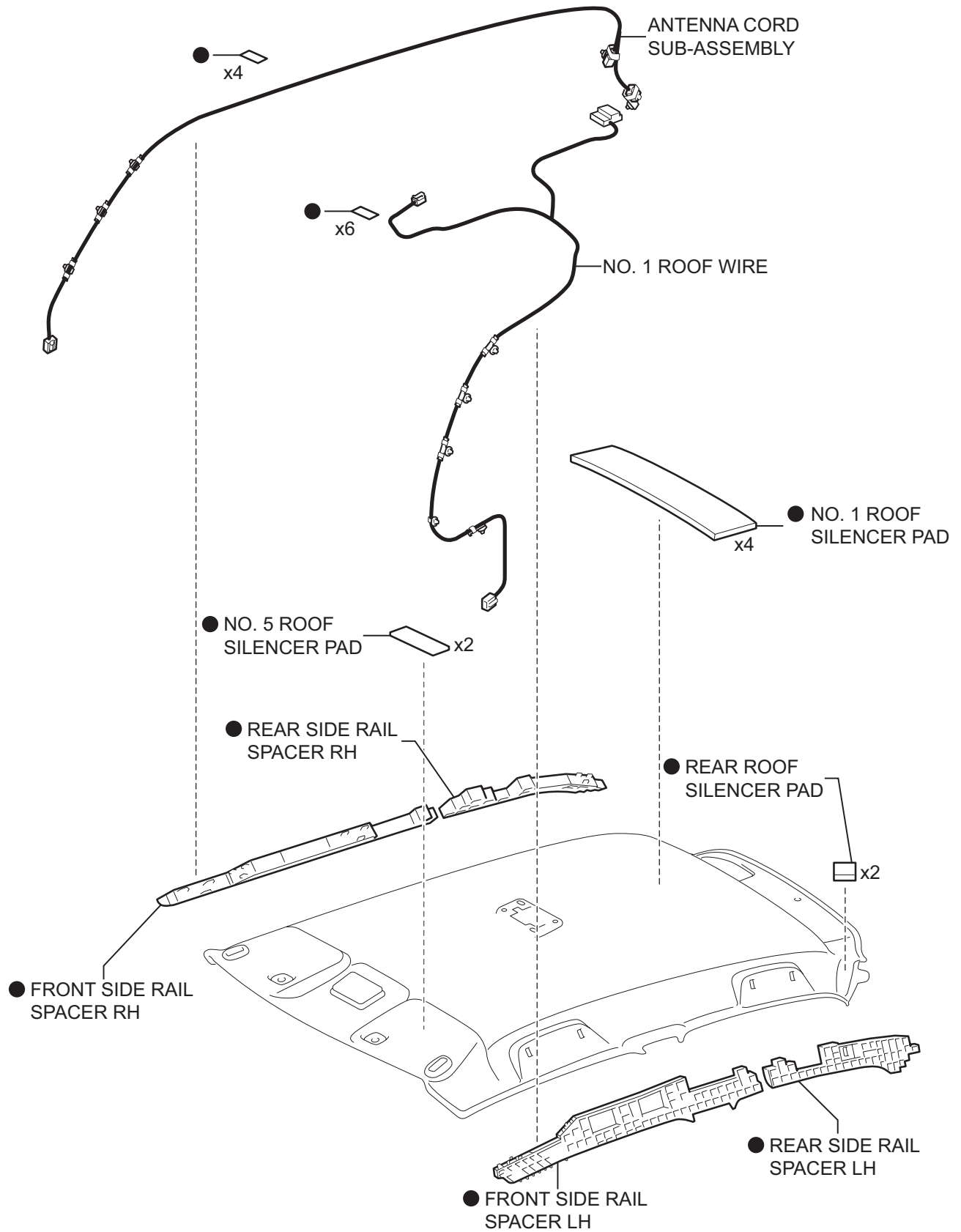
IR

w/ Curtain Shield Airbag:



● Non-reusable part

w/o Curtain Shield Airbag:



● Non-reusable part

IR

REMOVAL

CAUTION:

Some of these service operations affect the SRS airbag system. Read the precautionary notices concerning the SRS airbag system before servicing (See page [RS-1](#)).

NOTICE:

Always use "Torx" socket wrench E10 when removing the rear seat.

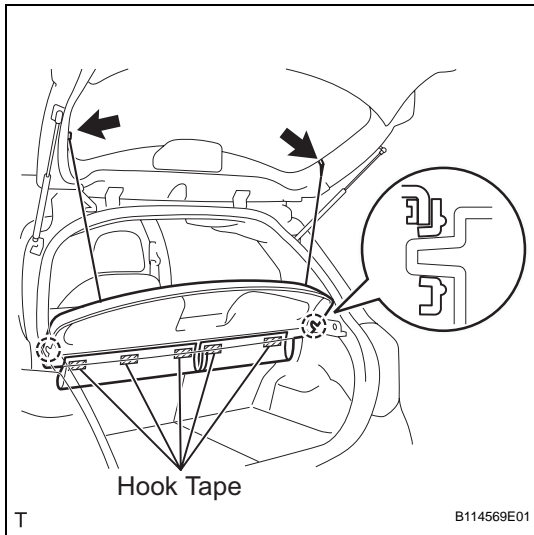
1. DISCONNECT CABLE FROM NEGATIVE BATTERY TERMINAL

CAUTION:

Wait for at least 90 seconds after disconnecting the cable to prevent the airbag from working.

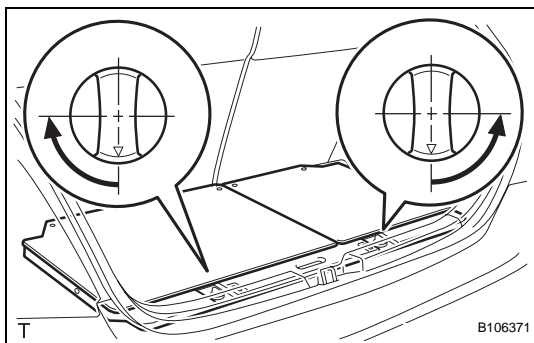
2. REMOVE PACKAGE TRAY TRIM PANEL ASSEMBLY

- Remove the 2 package tray trim suspenders.
- Remove the 5 pieces of hook tape.
- Disengage the 2 claws and remove the package tray trim.



3. REMOVE DECK BOARD SUB-ASSEMBLY

- Release the 2 knobs and remove the deck board.



4. REMOVE DECK FLOOR BOX RH

- Release the 2 knobs and remove the deck floor box.

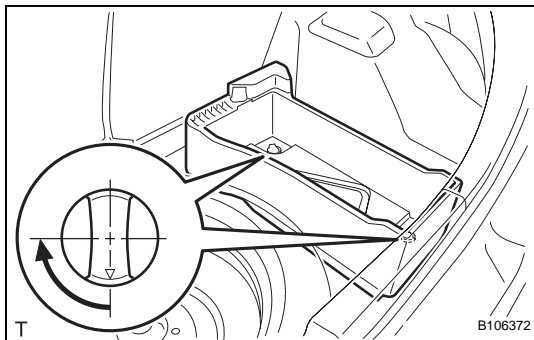
5. REMOVE DECK FLOOR BOX LH

HINT:

Use the same procedure as for the RH side.

6. REMOVE NO. 1 REAR SEAT LEG COVER (for 60/40 Split Seat Type)

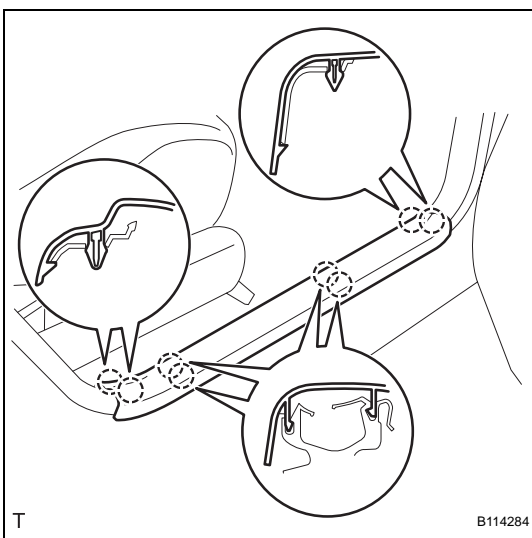
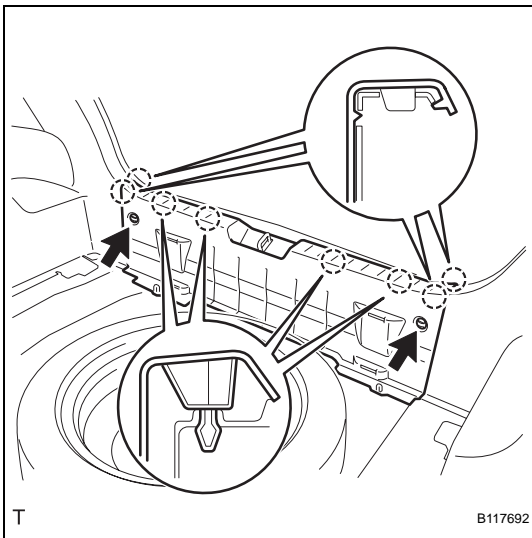
- for RH Side:
 - Remove the No. 1 rear seat leg cover (See page [SE-89](#)).



(b) for LH Side:

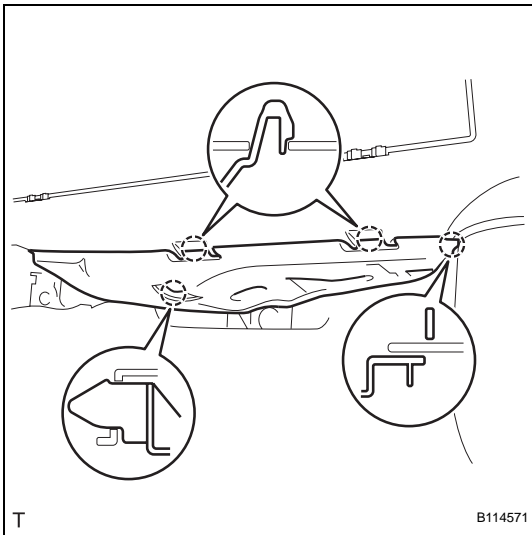
(1) Remove the No. 1 rear seat leg cover (See page SE-70).

7. REMOVE NO. 2 REAR SEAT LEG COVER (for 60/40 Split Seat Type) (See page SE-85)
8. REMOVE REAR SEAT ASSEMBLY RH (for 60/40 Split Seat Type) (See page SE-89)
9. REMOVE REAR SEAT ASSEMBLY LH (for 60/40 Split Seat Type) (See page SE-71)
10. REMOVE REAR SEAT CUSHION COVER PAD SUB-ASSEMBLY (for Hold Down Seat Type) (See page SE-114)
11. REMOVE REAR SEATBACK ASSEMBLY (for Hold Down Seat Type) (See page SE-115)
12. REMOVE REAR DECK TRIM COVER
 - (a) Using a clip remover, remove the 2 clips.
 - (b) Disengage the 8 claws and remove the rear deck trim cover.



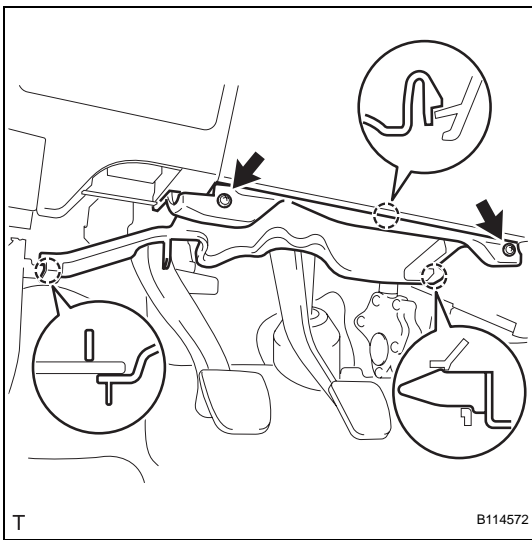
13. REMOVE FRONT DOOR SCUFF PLATE RH
 - (a) Disengage the 8 claws and remove the front door scuff plate.
14. REMOVE FRONT DOOR SCUFF PLATE LH

HINT:
Use the same procedure as for the RH side.



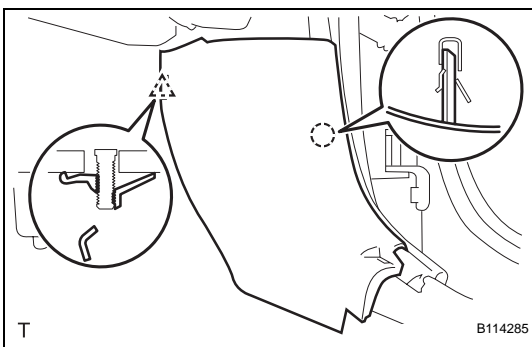
15. REMOVE INSTRUMENT PANEL UNDER COVER SUB-ASSEMBLY RH

- (a) Disengage the 4 claws and remove the instrument panel under cover.



16. REMOVE INSTRUMENT PANEL UNDER COVER SUB-ASSEMBLY LH

- (a) Remove the 2 screws.
 (b) Disengage the 3 claws and remove the instrument panel under cover.



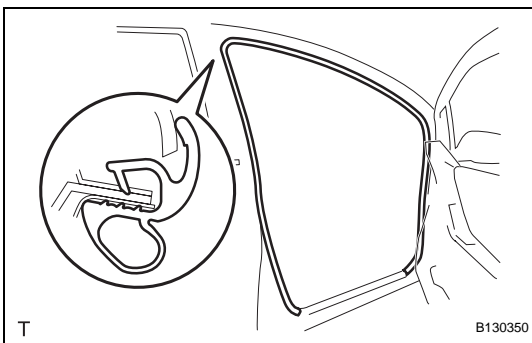
17. REMOVE COWL SIDE TRIM BOARD RH

- (a) Disengage the claw and the stud bolt and remove the cowl side trim board.

18. REMOVE COWL SIDE TRIM BOARD LH

HINT:

Use the same procedure as for the RH side.



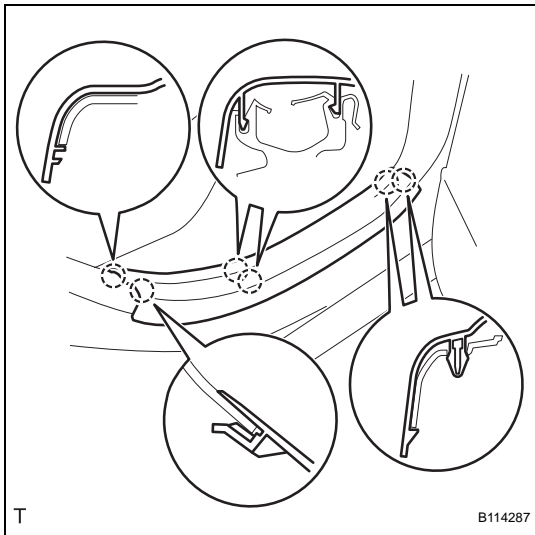
19. REMOVE FRONT DOOR OPENING TRIM WEATHERSTRIP RH

- (a) Remove the front door opening trim weatherstrip.

20. REMOVE FRONT DOOR OPENING TRIM WEATHERSTRIP LH

HINT:

Use the same procedure as for the RH side.



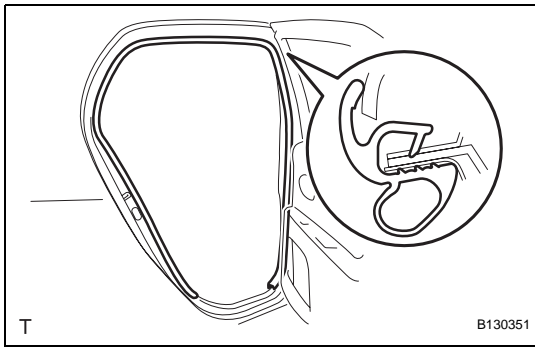
21. REMOVE REAR DOOR SCUFF PLATE RH

(a) Disengage the 6 claws and remove the rear door scuff plate.

22. REMOVE REAR DOOR SCUFF PLATE LH

HINT:

Use the same procedure as for the RH side.



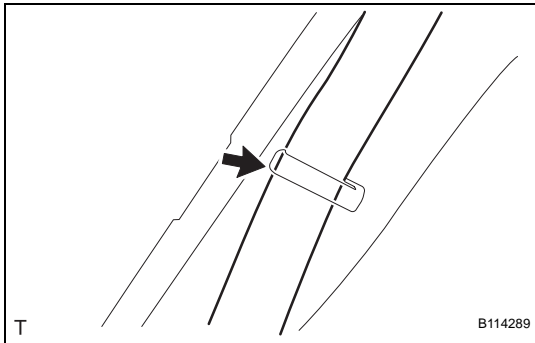
23. REMOVE REAR DOOR OPENING TRIM WEATHERSTRIP RH

(a) Remove the rear door opening trim weatherstrip.

24. REMOVE REAR DOOR OPENING TRIM WEATHERSTRIP LH

HINT:

Use the same procedure as for the RH side.



25. REMOVE REAR SEAT OUTER BELT ASSEMBLY RH

(a) Remove the belt from the rear seat shoulder belt hanger.

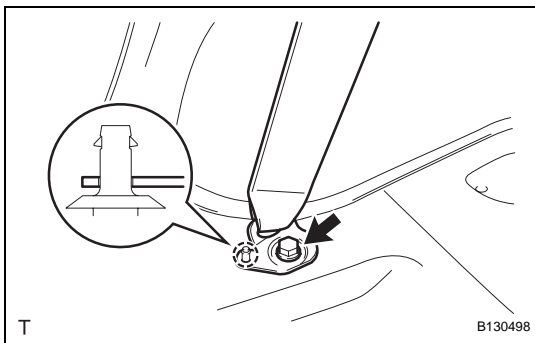
(b) Remove the bolt.

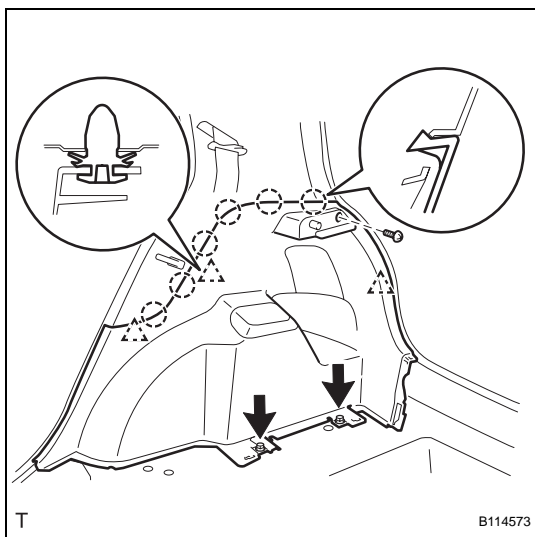
(c) Disengage the clip and remove the anchor plate.

26. REMOVE REAR SEAT OUTER BELT ASSEMBLY LH

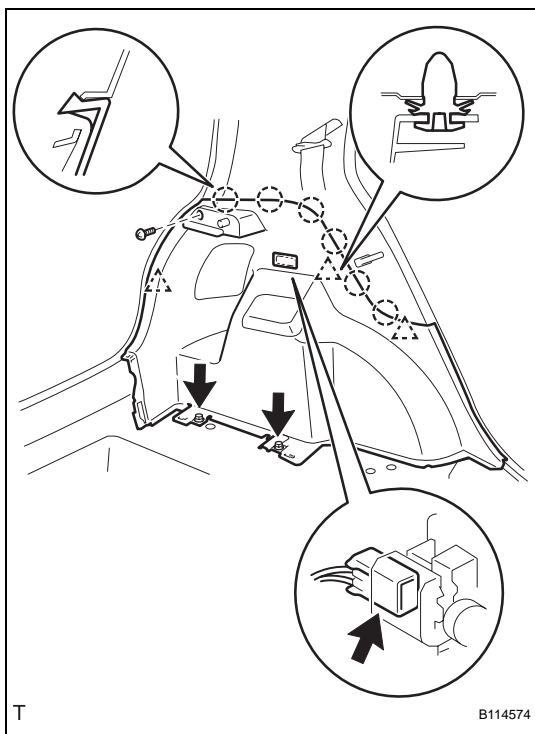
HINT:

Use the same procedure as for the RH side.



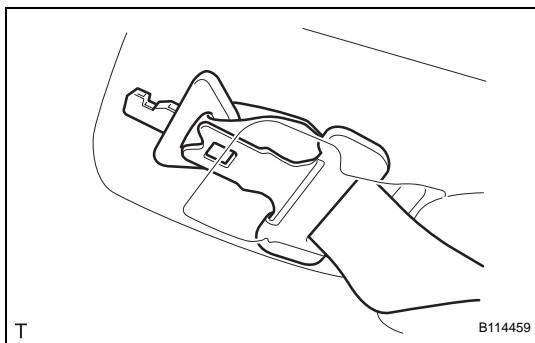
**27. REMOVE DECK TRIM SIDE PANEL ASSEMBLY RH**

- (a) Remove the 3 screws.
- (b) Disengage the 3 clips and the 6 claws and remove the deck trim side panel.

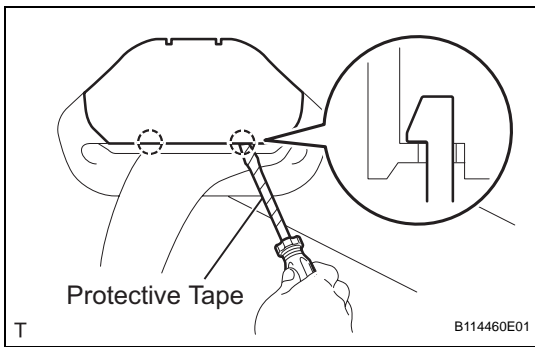
**28. REMOVE DECK TRIM SIDE PANEL ASSEMBLY LH**

- (a) Remove the 3 screws.
- (b) Disengage the 3 clips and the 6 claws.
- (c) Disconnect the luggage compartment room light connector and remove the deck trim side panel.

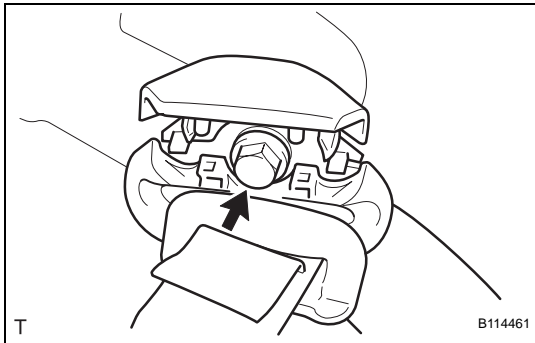
IR

**29. REMOVE REAR CENTER SEAT OUTER BELT ASSEMBLY**

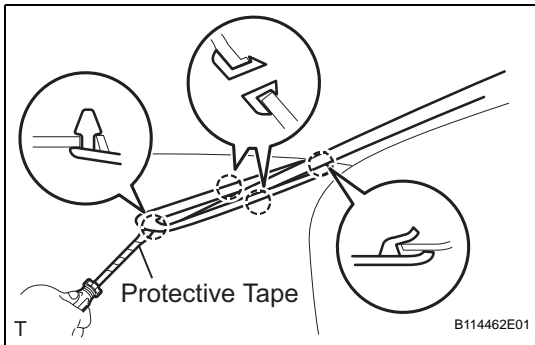
- (a) Remove the 2 tongue plates.



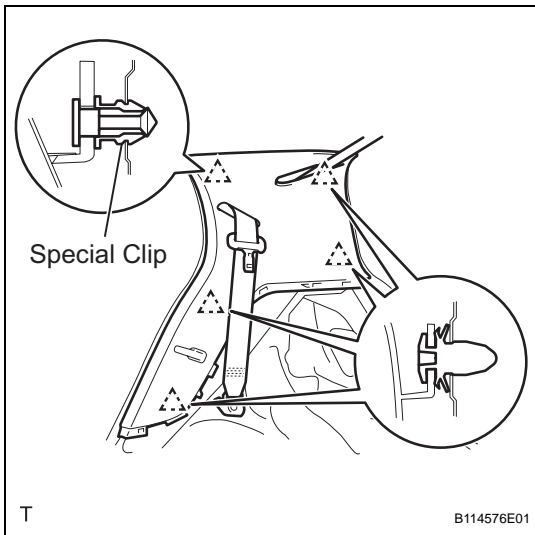
- (b) Using a screwdriver with its tip wrapped in protective tape, disengage the 2 claws and open the slip joint cover.



- (c) Remove the bolt and the through anchor.



- (d) Using a screwdriver with its tip wrapped in protective tape, disengage the 4 claws and remove the center belt guide.



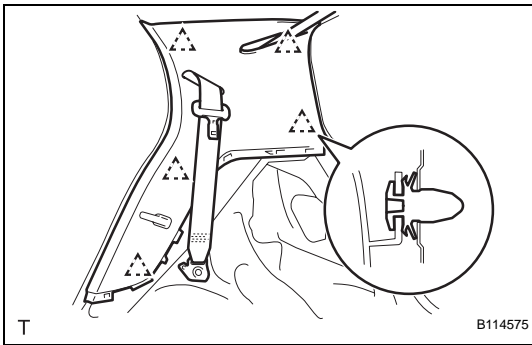
30. REMOVE ROOF SIDE INNER GARNISH RH

- (a) w/ Curtain Shield Airbag:

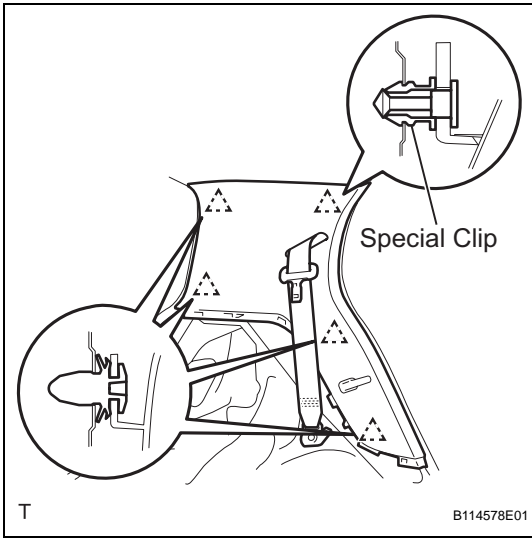
NOTICE:

Replace the special clip with a new one when the roof side inner garnish is removed.

- (1) Disengage the 5 clips.
- (2) Pass the rear seat outer belt and the rear center seat outer belt through the slit in the roof side inner garnish and remove the roof side inner garnish.

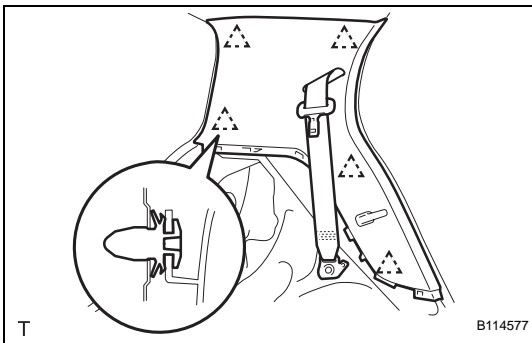


- (b) w/o Curtain Shield Airbag:
- (1) Disengage the 5 clips.
 - (2) Pass the rear seat outer belt and the rear center seat outer belt through the slit in the roof side inner garnish and remove the roof side inner garnish.



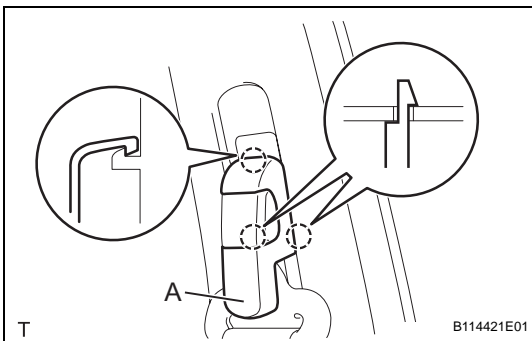
31. REMOVE ROOF SIDE INNER GARNISH LH

- (a) w/ Curtain Shield Airbag:
- NOTICE:**
Replace the special clip with a new one when the roof side garnish inner is removed.
- (1) Disengage the 5 clips.
 - (2) Pass the rear seat outer belt through the slit in the roof side inner garnish and remove the roof side inner garnish.



- (b) w/o Curtain Shield Airbag:
- (1) Disengage the 5 clips.
 - (2) Pass the rear seat outer belt through the slit in the roof side inner garnish and remove the roof side inner garnish.

IR

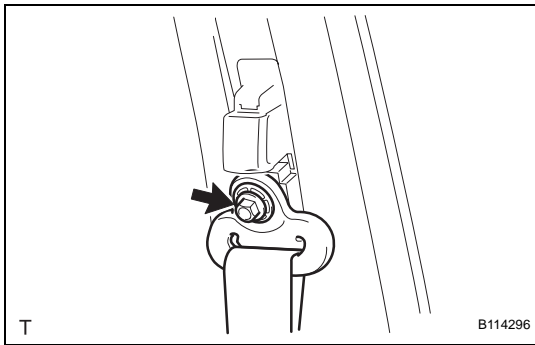


32. REMOVE SEAT BELT ANCHOR COVER CAP

HINT:

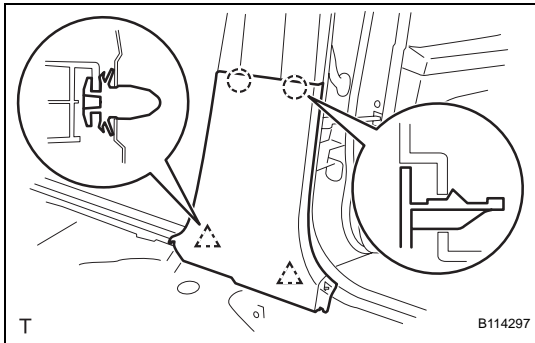
Use the same procedure for both sides.

- (a) Pull portion A, shown in the illustration, toward you, remove the 2 claws on the lower side followed by the claw on the upper side. Then remove the seat belt anchor cover cap.



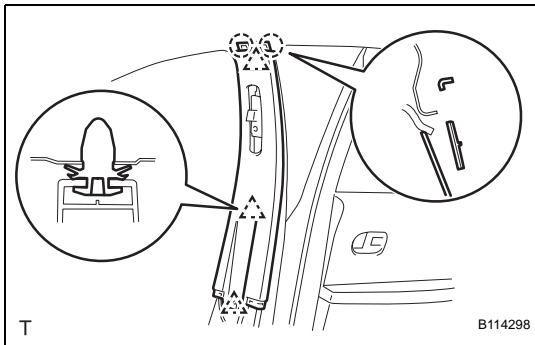
33. REMOVE FRONT SEAT OUTER BELT ASSEMBLY RH
 (a) Remove the bolt and the through anchor.

34. REMOVE FRONT SEAT OUTER BELT ASSEMBLY LH
HINT:
 Use the same procedure as for the RH side.



35. REMOVE CENTER PILLAR LOWER GARNISH RH
 (a) Disengage the 2 clips and the 2 claws and remove the center pillar lower garnish.

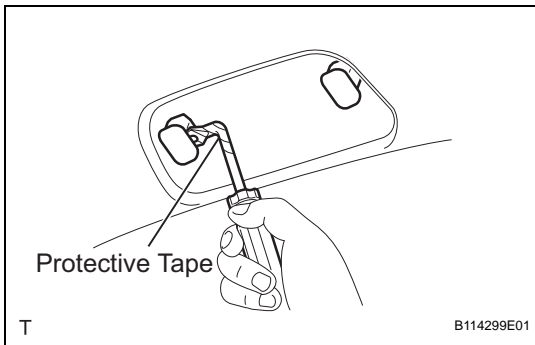
36. REMOVE CENTER PILLAR LOWER GARNISH LH
HINT:
 Use the same procedure as for the RH side.



37. REMOVE CENTER PILLAR UPPER GARNISH RH
 (a) Disengage the 3 clips and the 2 hooks and remove the center pillar upper garnish.

38. REMOVE CENTER PILLAR UPPER GARNISH LH
HINT:
 Use the same procedure as for the RH side.

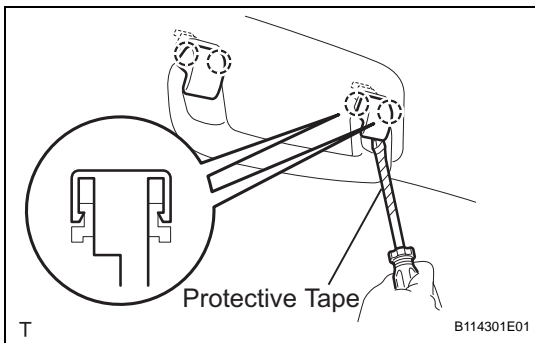
39. REMOVE SEAT BELT ANCHOR COVER (See page [SB-159](#))



40. REMOVE ROOF HEADLINING SERVICE HOLE COVER (w/o Curtain Shield Airbag)

HINT:
 Use the same procedure to remove all the roof headlining service hole covers.

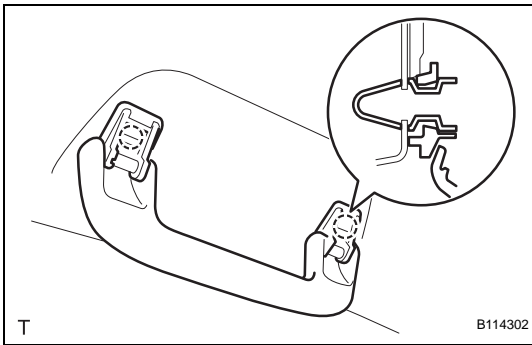
(a) Using a clip remover with its tip wrapped in protective tape, remove the 6 roof headlining service hole covers.



41. REMOVE ASSIST GRIP COVER

HINT:
 The fitting number of the assist grip covers varies with the specifications.

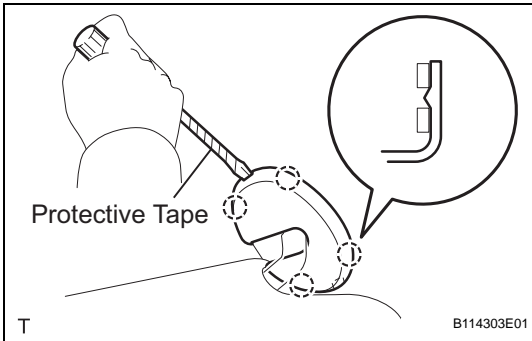
(a) Using a screwdriver with its tip wrapped in protective tape, disengage the 2 claws and remove the assist grip cover.

**42. REMOVE ASSIST GRIP SUB-ASSEMBLY**

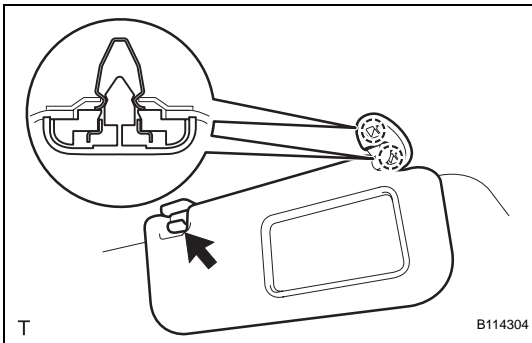
HINT:

The fitting number of the assist grips varies with the specifications.

- (a) Disengage the 2 springs and remove the assist grip.

**43. REMOVE VISOR ASSEMBLY RH**

- (a) Using a screwdriver with its tip wrapped in protective tape, disengage the 4 claws and remove the visor bracket cover.

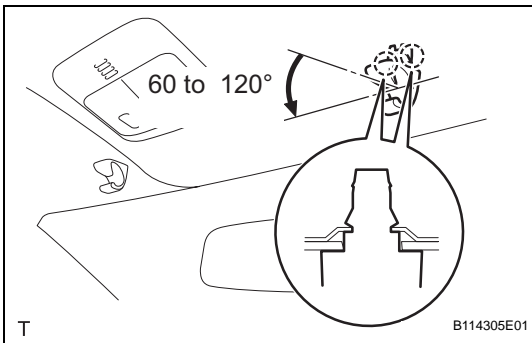


- (b) Remove the visor shaft from the visor holder.
 (c) Disengage the 2 springs and remove the visor.

44. REMOVE VISOR ASSEMBLY LH

HINT:

Use the same procedure as for the RH side.

**45. REMOVE VISOR HOLDER RH**

- (a) Disengage the 2 claws by turning the visor counterclockwise between 60 to 120° and remove the visor holder.

HINT:

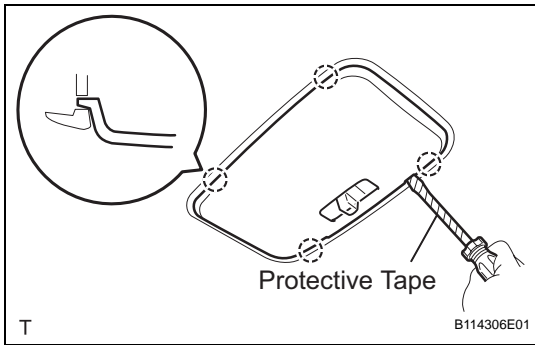
The claw may be damaged during removal.

However, it is reusable because this does not effect its function.

46. REMOVE VISOR HOLDER LH

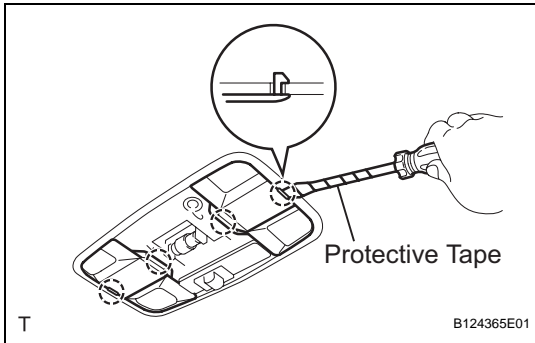
HINT:

Use the same procedure as for the RH side.

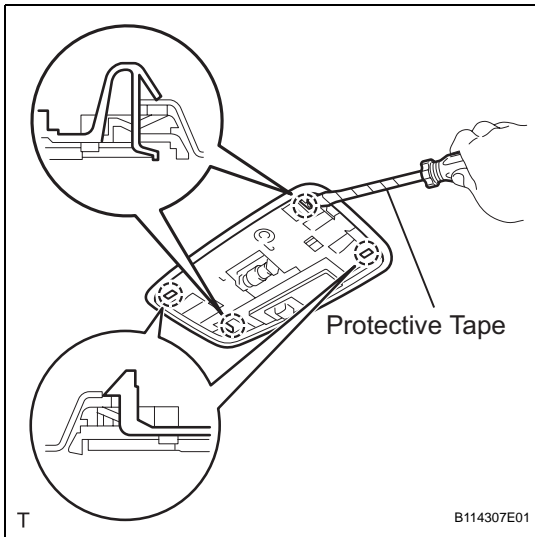


47. REMOVE ROOM LIGHT ASSEMBLY

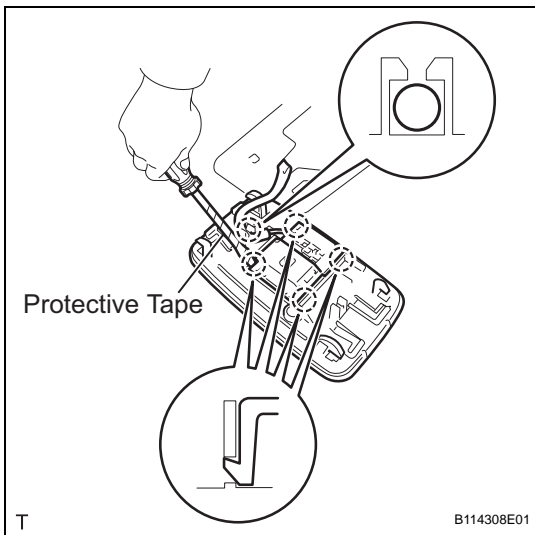
- (a) Using a screwdriver with its tip wrapped in protective tape, disengage the 4 claws and remove the room light lens.



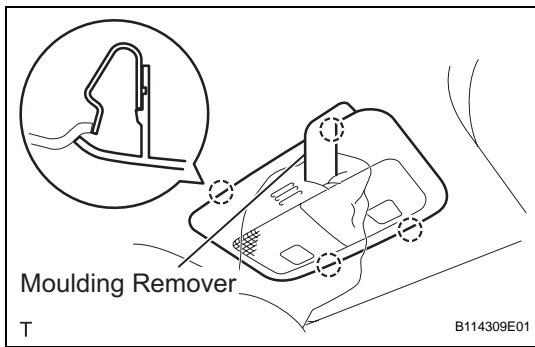
- (b) Using a screwdriver with its tip wrapped in protective tape, disengage the 4 claws and remove the 2 covers.



- (c) Using a screwdriver with its tip wrapped in protective tape, disengage the 4 claws.

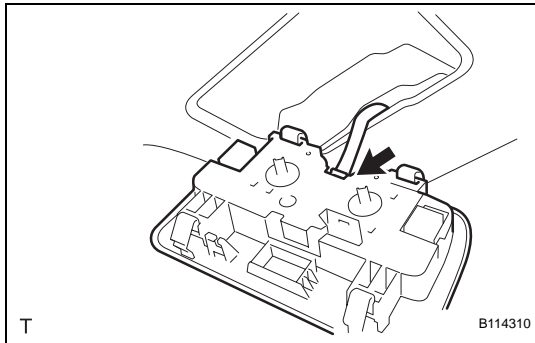


- (d) Remove the No. 1 roof wire from the claw of the room light.
- (e) Using a screwdriver with its tip wrapped in protective tape, disengage the 4 claws and remove the room light switch base and the room light.

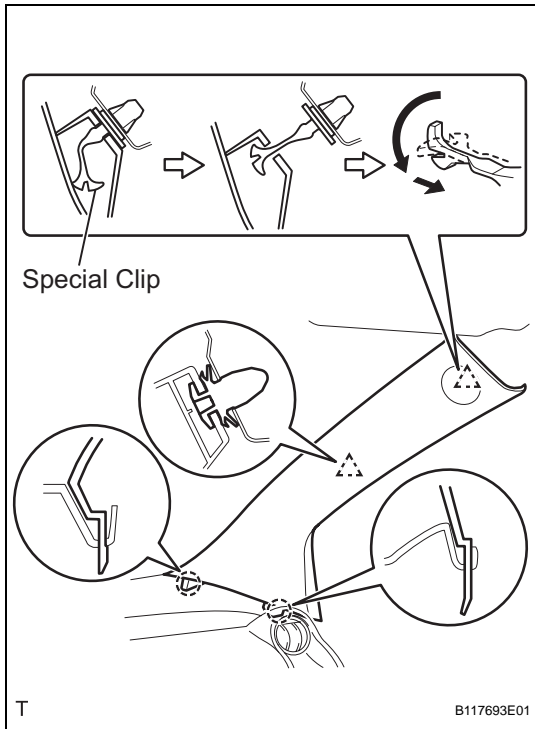


48. REMOVE MAP LIGHT ASSEMBLY

- (a) Using a roof moulding remover, disengage the 4 claws.



- (b) Disconnect the map light connector and remove the map light.



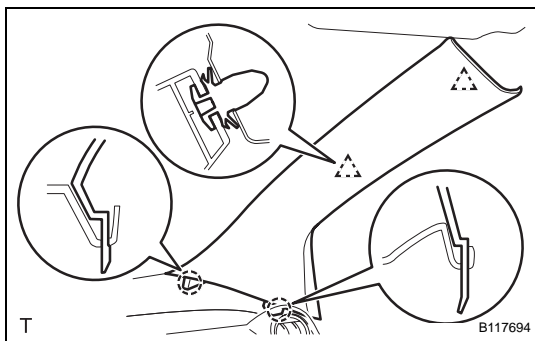
49. REMOVE FRONT PILLAR GARNISH RH

- (a) w/ Curtain Shield Airbag:

NOTICE:

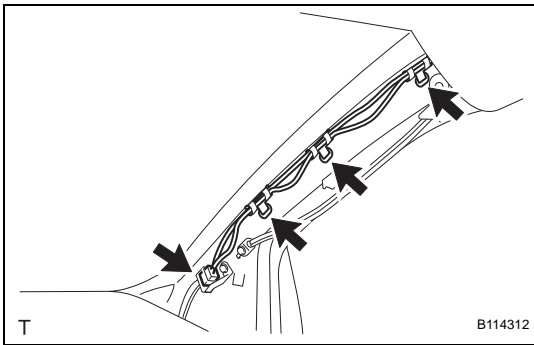
- Install a protective cover onto the curtain shield airbag as soon as the front pillar garnish is removed.
- Replace the special clip with a new one when the front pillar garnish is removed.

- (1) Disengage the 2 clips and the 2 claws and remove the front pillar garnish.

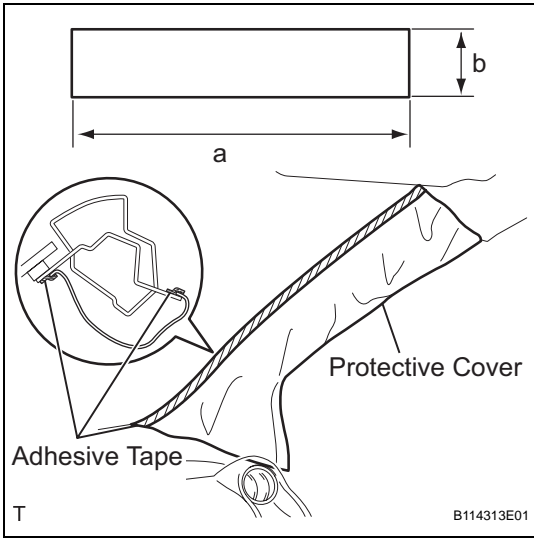


- (b) w/o Curtain Shield Airbag:

- (1) Disengage the 2 clips and the 2 claws and remove the front pillar garnish.



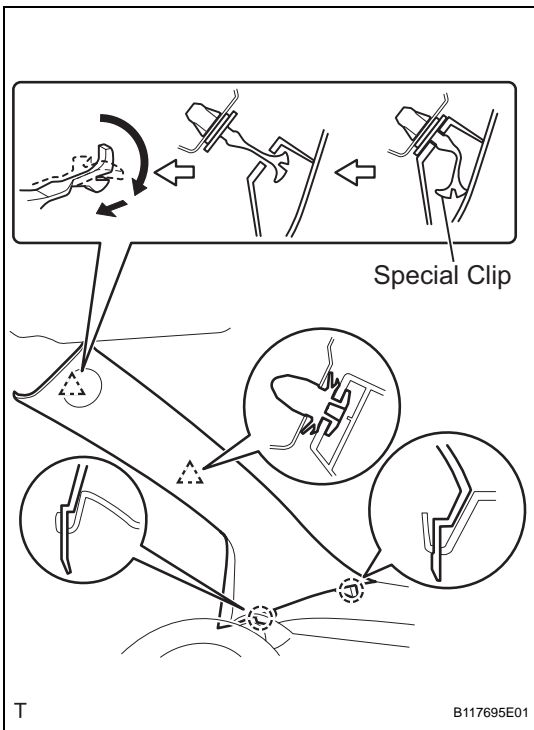
- (c) Disconnect the connector.
- (d) Using a clip remover, remove the 3 antenna cord clamps.



- (e) w/ Curtain Shield Airbag:
 - (1) Completely cover the curtain shield airbag with a piece of cloth or nylon and fix the ends of the fabric with adhesive tape, as shown in the illustration.

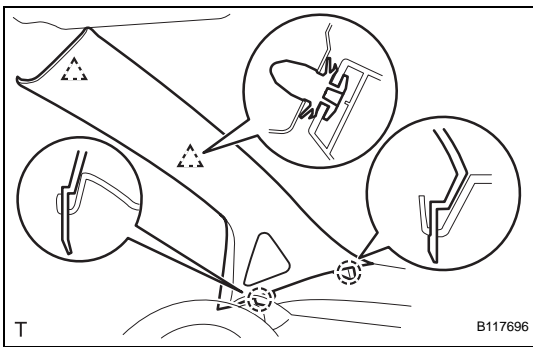
Protective cover size:

Area	Measurement
a	700 mm (27.56 in.)
b	120 mm (4.72 in.)

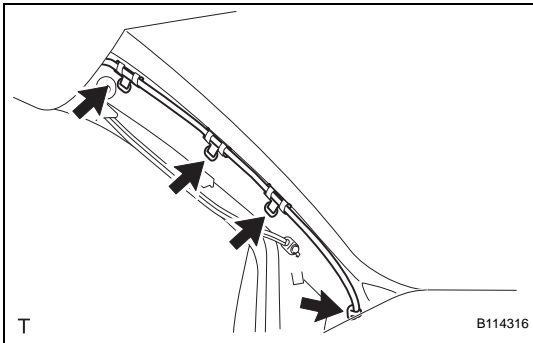


50. REMOVE FRONT PILLAR GARNISH LH

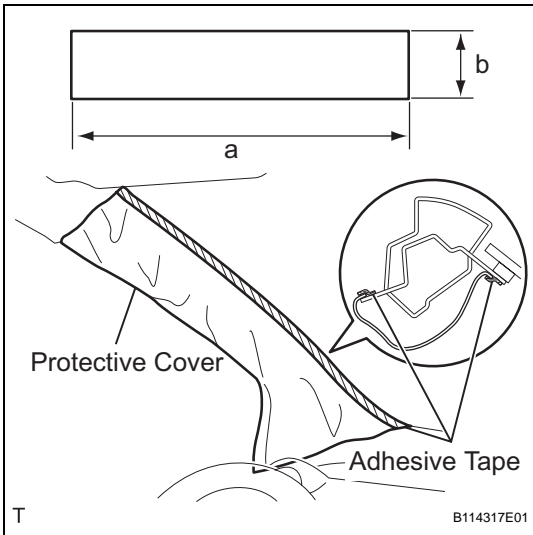
- (a) w/ Curtain Shield Airbag:
 - NOTICE:**
 - Install a protective cover onto the curtain shield airbag as soon as the front pillar garnish is removed.
 - Replace the special clip with a new one when the front pillar garnish is removed.
 - (1) Disengage the 2 clips and the 2 claws and remove the front pillar garnish.



- (b) w/o Curtain Shield Airbag:
 - (1) Disengage the 2 clips and the 2 claws and remove the front pillar garnish.



- (c) Using a clip remover, remove the 4 wiring harness clamps.

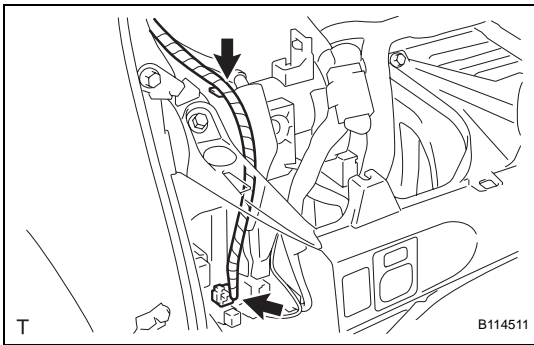


- (d) w/ Curtain Shield Airbag:
 - (1) Completely cover the curtain shield airbag with a piece of cloth or nylon and fix the ends of the fabric with adhesive tape, as shown in the illustration.

Protective cover size:

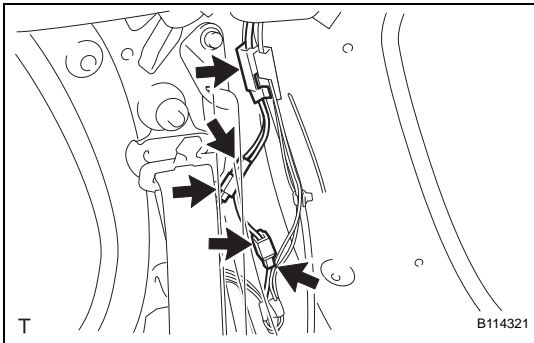
Area	Measurement
a	700 mm (27.56 in.)
b	120 mm (4.72 in.)

- 51. REMOVE INSTRUMENT PANEL FINISH PANEL END RH (See page [ME-145](#))
- 52. REMOVE INSTRUMENT PANEL FINISH PANEL END LH (See page [ME-145](#))
- 53. REMOVE INSTRUMENT CLUSTER FINISH PANEL (See page [ME-145](#))
- 54. REMOVE COMBINATION METER ASSEMBLY (See page [ME-146](#))
- 55. REMOVE GLOVE COMPARTMENT DOOR ASSEMBLY (See page [IP-20](#))
- 56. REMOVE NO. 1 SWITCH HOLE BASE (See page [IP-20](#))
- 57. REMOVE UPPER INSTRUMENT PANEL SUB-ASSEMBLY (See page [IP-21](#))
- 58. REMOVE INSTRUMENT PANEL BOX (See page [IP-70](#))

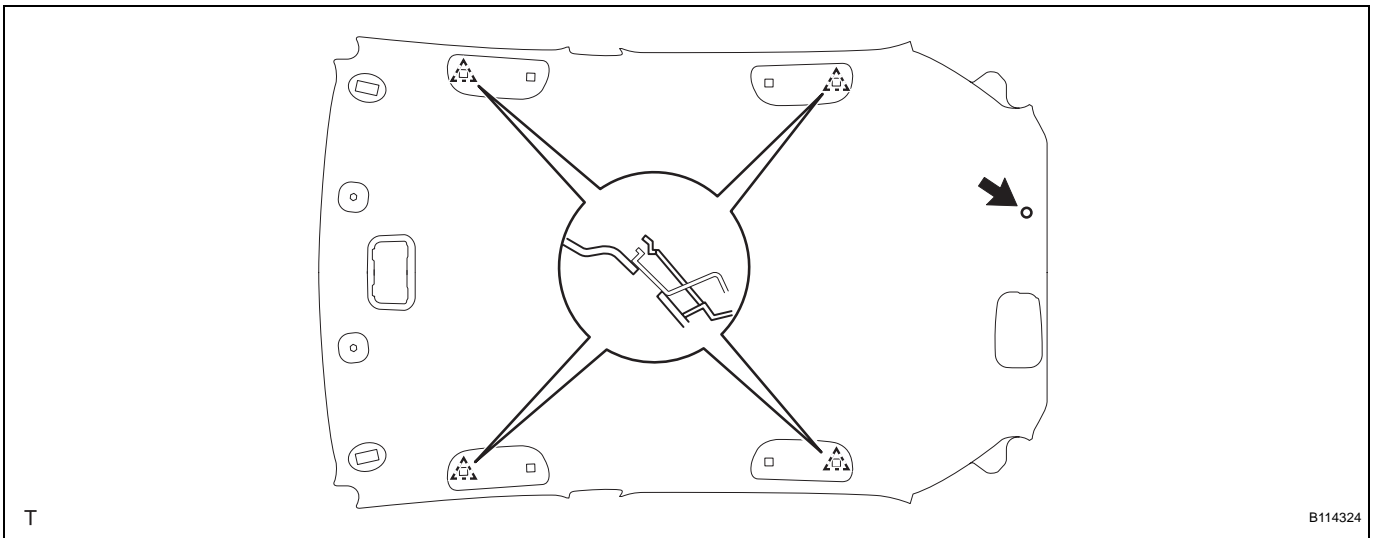


59. REMOVE ROOF HEADLINING ASSEMBLY

- (a) Using a screwdriver, remove the wiring harness clamp.
- (b) Disconnect the connector.

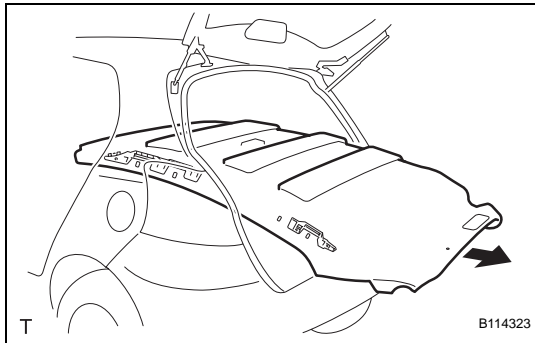
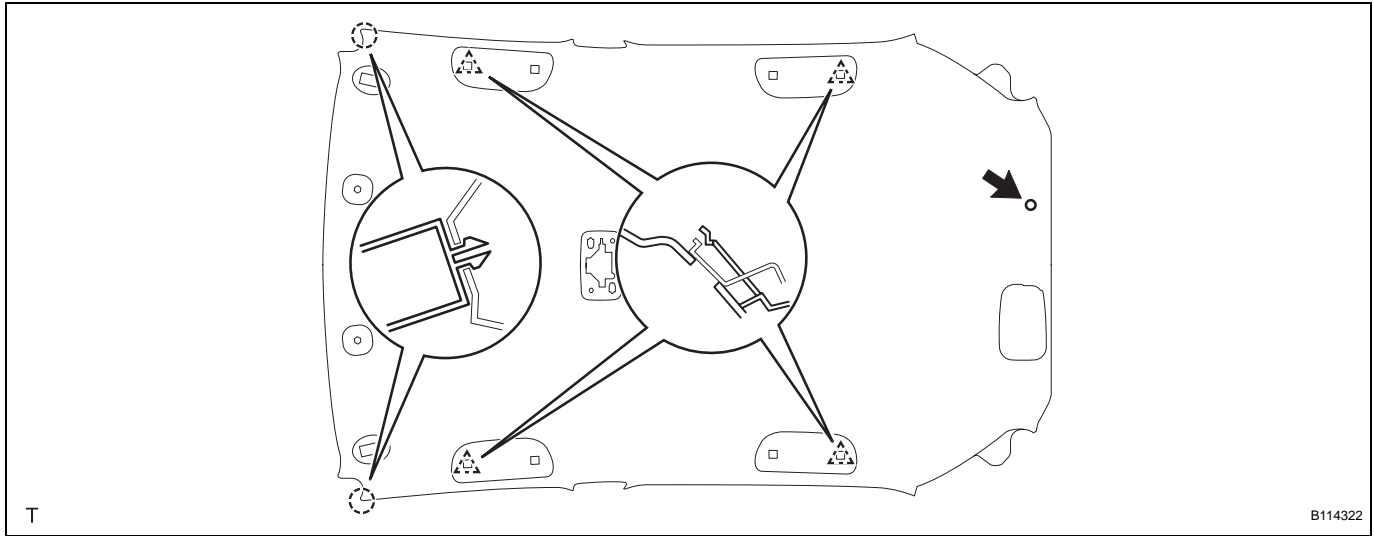


- (c) Remove the antenna cord from the antenna cord clamp.
- (d) Disconnect the 2 connectors.
- (e) Using a clip remover, remove the 2 connectors.
- (f) w/ Curtain Shield Airbag:
 - (1) Using a clip remover, remove the clip.
 - (2) Disengage the 4 hooks.

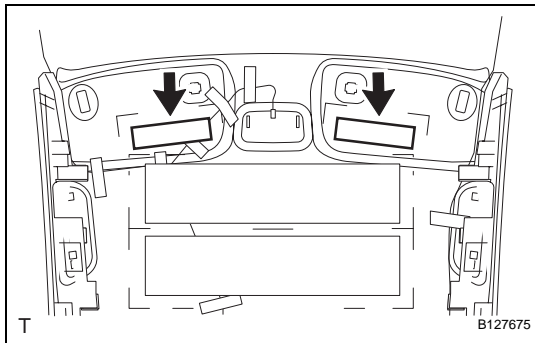


- (g) w/o Curtain Shield Airbag:
 - (1) Using a clip remover, remove the clip.

(2) Disengage the 2 claws and 4 hooks.



(h) Remove the roof headlining from the back door.



60. REMOVE NO. 5 ROOF SILENCER PAD

HINT:

Only remove the No. 5 roof silencer pad when the No. 1 roof wire and roof headlining are replaced.

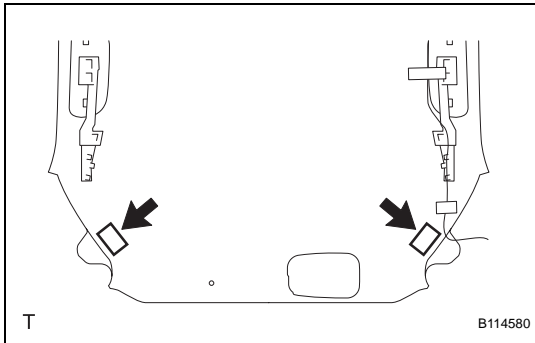
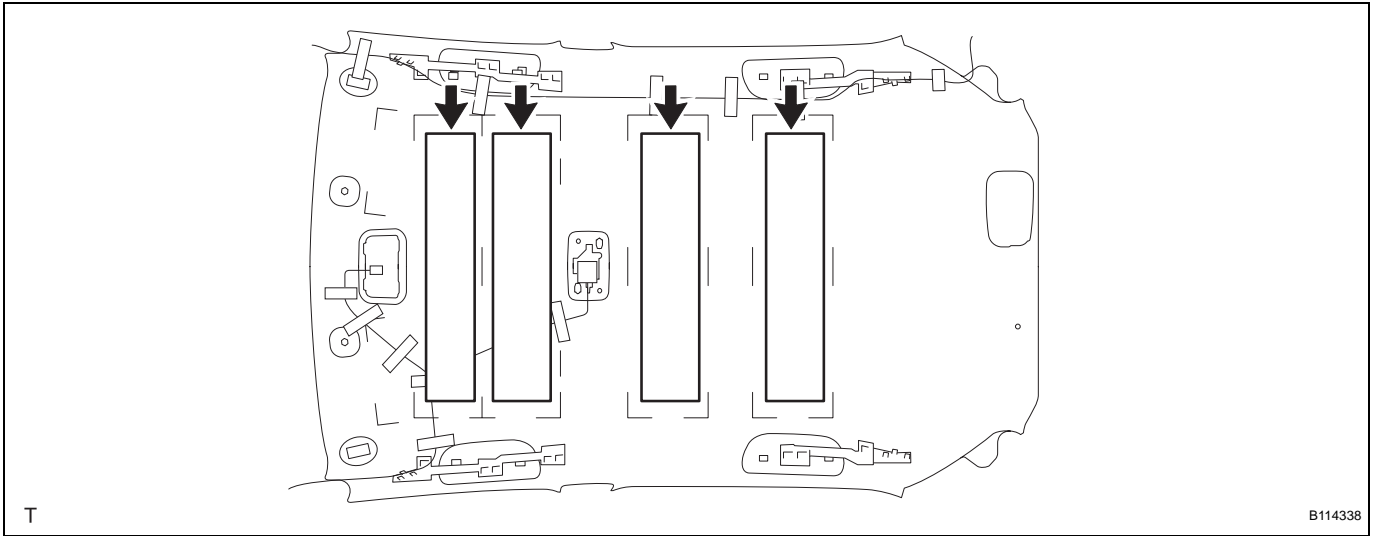
(a) Remove the 2 No. 5 roof silencer pads.

61. REMOVE NO. 1 ROOF SILENCER PAD

HINT:

Only remove the No. 1 roof silencer pad when the No. 1 roof wire and roof headlining are replaced.

(a) Remove the 4 No. 1 roof silencer pads.

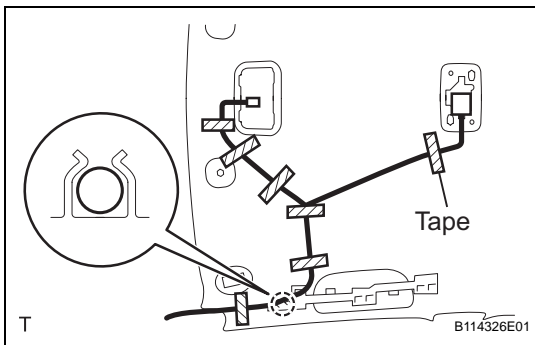


62. REMOVE REAR ROOF SILENCER PAD

HINT:

Only remove the rear roof silencer pad when the roof headlining is replaced.

(a) Remove the 2 rear roof silencer pads.



63. REMOVE NO. 1 ROOF WIRE

HINT:

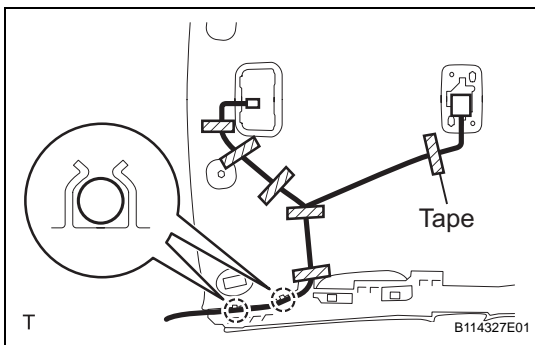
Only remove the No. 1 roof wire when the roof headlining is replaced.

(a) w/ Curtain Shield Airbag:

- (1) Remove the 7 pieces of tape.
- (2) Remove the No. 1 roof wire from the claw of the side rail spacer.

(b) w/o Curtain Shield Airbag:

- (1) Remove the 6 pieces of tape.
- (2) Remove the No. 1 roof wire from the 2 claws of the side rail spacer.



64. REMOVE ANTENNA CORD SUB-ASSEMBLY

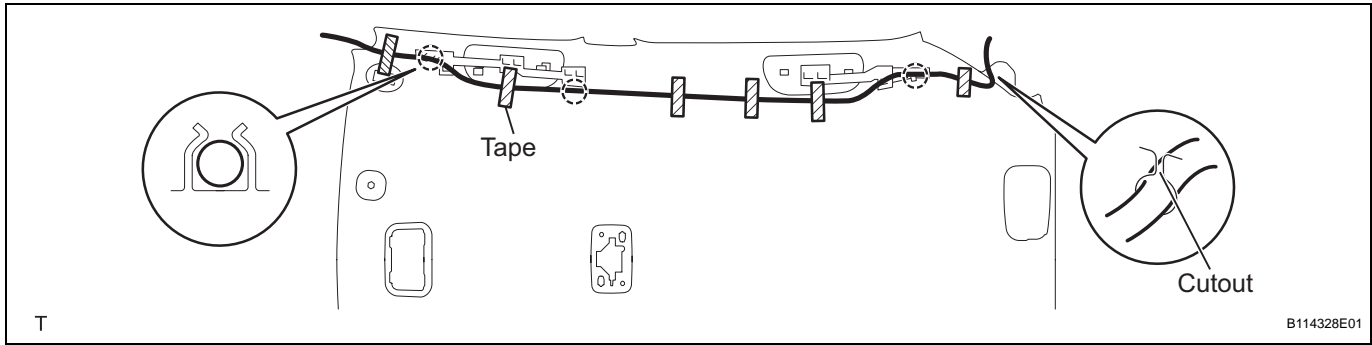
HINT:

Only remove the antenna cord when the roof headlining is replaced.

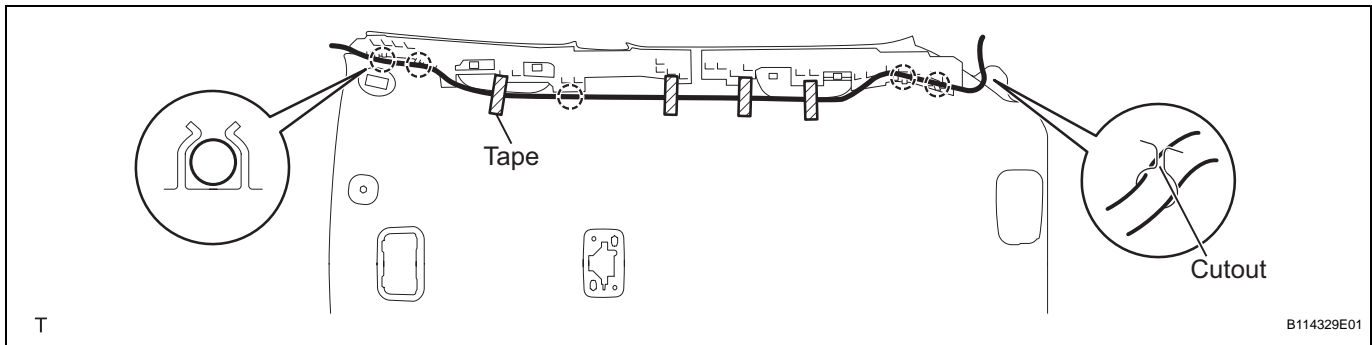
(a) w/ Curtain Shield Airbag:

- (1) Remove the 6 pieces of tape.
- (2) Remove the antenna cord from the cutout of the roof headlining.

- (3) Remove the antenna cord from the 3 claws of the side rail spacer.



- (b) w/o Curtain Shield Airbag:
 - (1) Remove the 4 pieces of tape.
 - (2) Remove the antenna cord from the cutout of the roof headlining.
 - (3) Remove the antenna cord from the 5 claws of the side rail spacer.

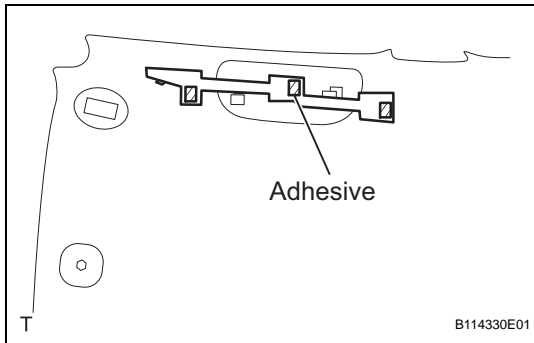


65. REMOVE FRONT SIDE RAIL SPACER RH

HINT:

Only remove the front side rail spacer when the roof headlining is replaced.

- (a) w/ Curtain Shield Airbag:
 - (1) Remove the 3 adhesion portions and the front side rail spacer.

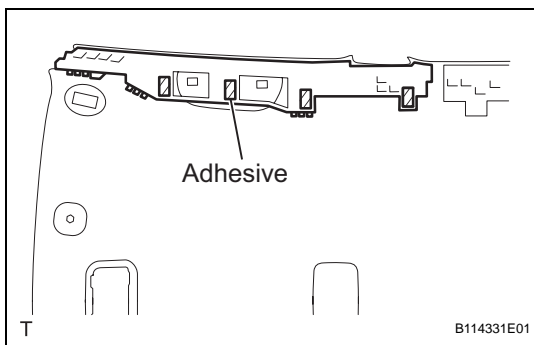


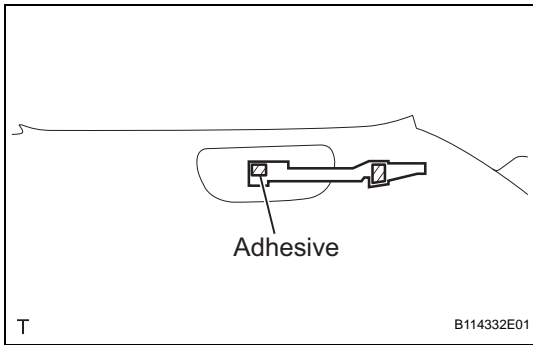
- (b) w/o Curtain Shield Airbag:
 - (1) Remove the 4 adhesion portions and the front side rail spacer.

66. REMOVE FRONT SIDE RAIL SPACER LH

HINT:

Use the same procedure as for the RH side.





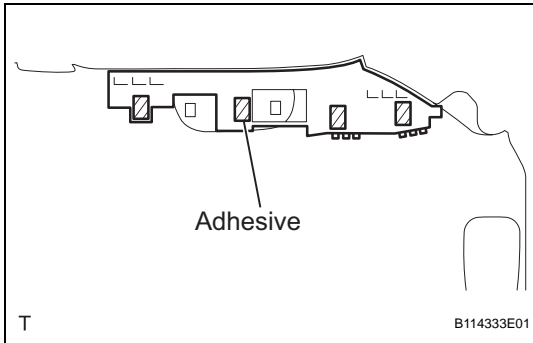
67. REMOVE REAR SIDE RAIL SPACER RH

HINT:

Only remove the rear side rail spacer when the roof headlining is replaced.

(a) w/ Curtain Shield Airbag:

- (1) Remove the 2 adhesion portions and the rear side rail spacer.



(b) w/o Curtain Shield Airbag:

- (1) Remove the 4 adhesion portions and the rear side rail spacer.

68. REMOVE REAR SIDE RAIL SPACER LH

HINT:

Use the same procedure as for the RH side.

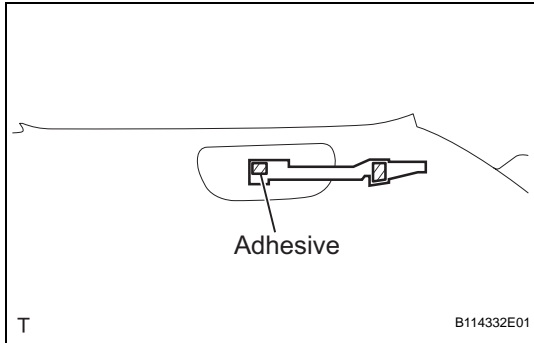
INSTALLATION

CAUTION:

Some of these service operations affect the SRS airbag system. Read the precautionary notices concerning the SRS airbag system before servicing (See page RS-1).

NOTICE:

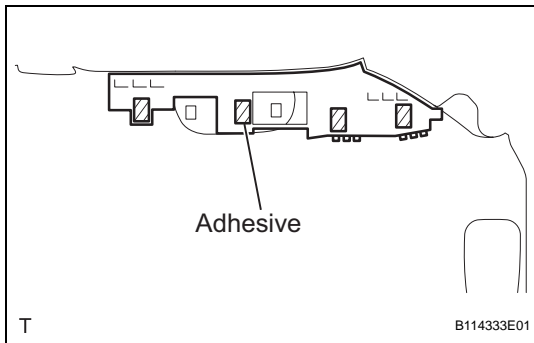
Always use "Torx" socket wrench E10 when installing the rear seat.



1. INSTALL REAR SIDE RAIL SPACER RH

(a) w/ Curtain Shield Airbag:

- (1) Align a new rear side rail spacer with the markings of the roof headlining and install it onto the roof headlining.



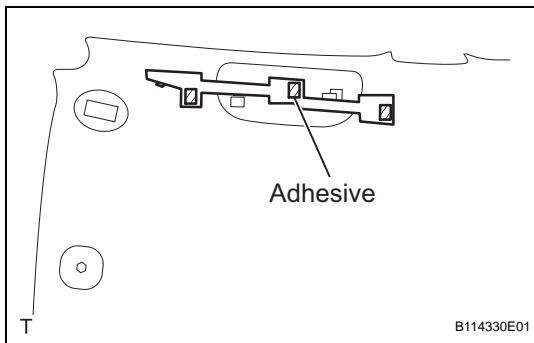
(b) w/o Curtain Shield Airbag:

- (1) Align a new rear side rail spacer with the markings of the roof headlining and install it onto the roof headlining.

2. INSTALL REAR SIDE RAIL SPACER LH

HINT:

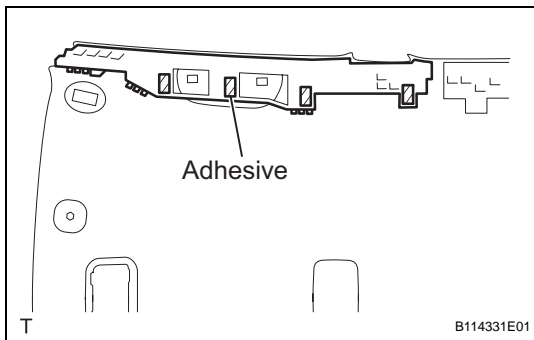
Use the same procedure as for the RH side.



3. INSTALL FRONT SIDE RAIL SPACER RH

(a) w/ Curtain Shield Airbag:

- (1) Align a new front side rail spacer with the markings of the roof headlining and install it onto the roof headlining.



(b) w/o Curtain Shield Airbag:

- (1) Align a new front side rail spacer with the markings of the roof headlining and install it onto the roof headlining.

4. INSTALL FRONT SIDE RAIL SPACER LH

HINT:

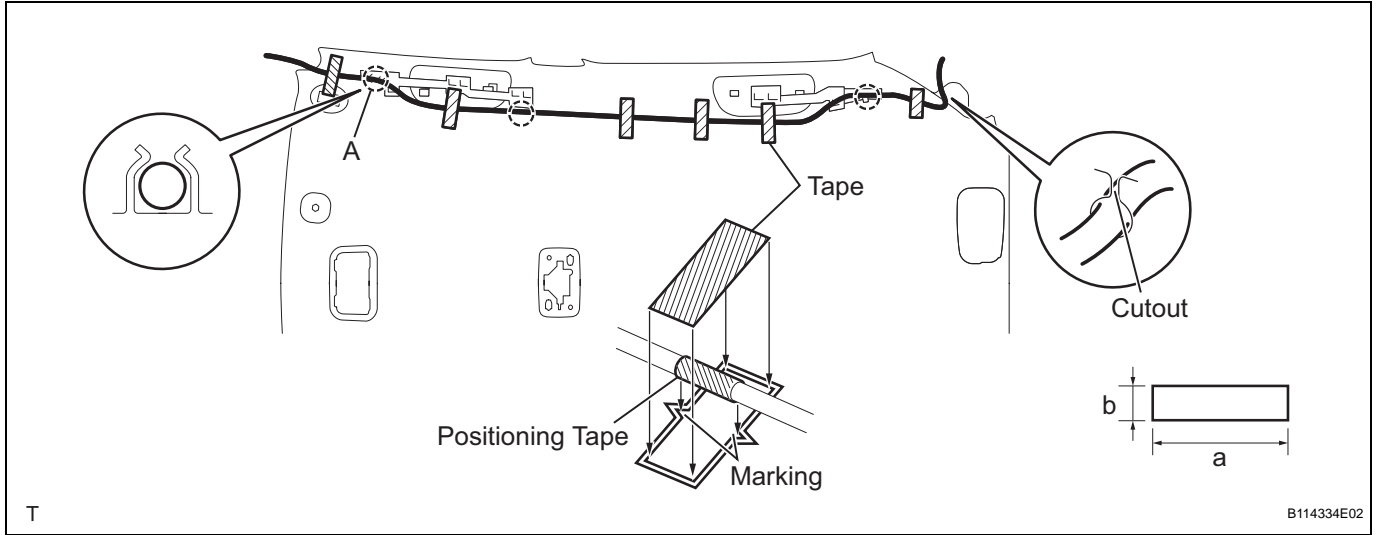
Use the same procedure as for the RH side.

5. INSTALL ANTENNA CORD SUB-ASSEMBLY

(a) w/ Curtain Shield Airbag:

- (1) Install the part of the antenna cord marked with red positioning tape into claw A of the front side rail spacer.

- (2) Install the antenna cord positioning tapes into the 2 claws of the front and rear side rail spacers.
- (3) Insert the antenna cord positioning tape into the cutout of the roof headlining.
- (4) Align the antenna cord positioning tapes with the markings of the roof headlining.
- (5) Install the antenna cord onto the roof headlining with 6 new pieces of tape.



Tape size:

Mark	Measurement
a	80 mm (3.15 in.)
b	20 mm (0.787 in.)

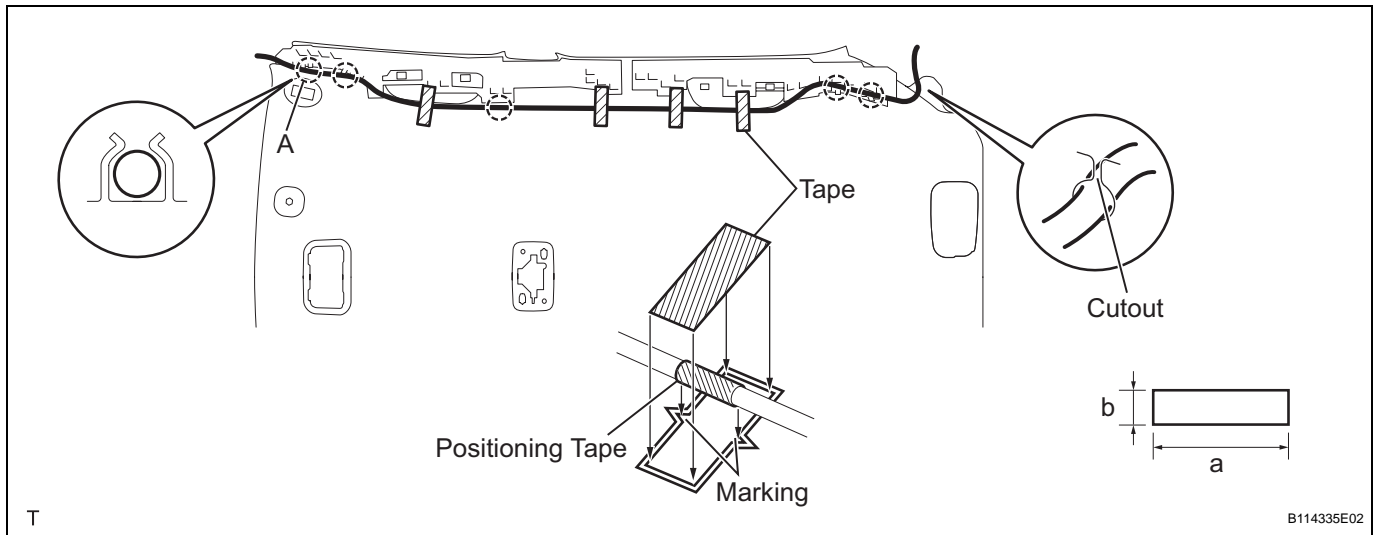
NOTICE:

- **Apply the tape securely in place.**
- **Do not touch the adhesive surface when applying the tape to prevent adhesion failure.**

(b) w/o Curtain Shield Airbag:

- (1) Install the part of the antenna cord marked with red positioning tape into claw A of the front side rail spacer.
- (2) Install the antenna cord positioning tapes into the 4 claws of the front and rear side rail spacers.
- (3) Insert the antenna cord positioning tape into the cutout of the roof headlining.
- (4) Align the antenna cord positioning tapes with the markings of the roof headlining.

- (5) Install the antenna cord onto the roof headlining with 4 new pieces of tape.



Tape size:

Mark	Measurement
a	80 mm (3.15 in.)
b	20 mm (0.787 in.)

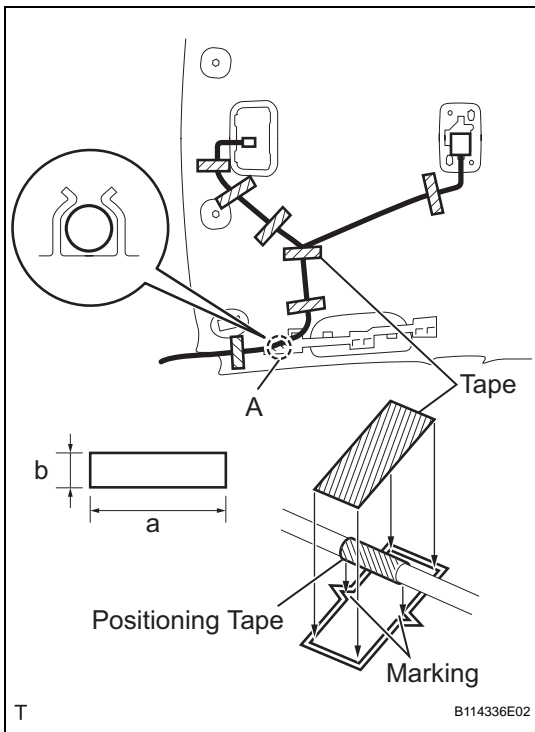
NOTICE:

- Apply the tape securely in place.
- Do not touch the adhesive surface when applying the tape to prevent adhesion failure.

6. INSTALL NO. 1 ROOF WIRE

(a) w/ Curtain Shield Airbag:

- (1) Install the part of the No. 1 roof wire marked with red positioning tape into claw A of the front side rail spacer.
- (2) Align the No. 1 roof wire positioning tapes with the markings of the roof headlining.



- (3) Install the No. 1 roof wire onto the roof headlining with 7 new pieces of tape.

Tape size:

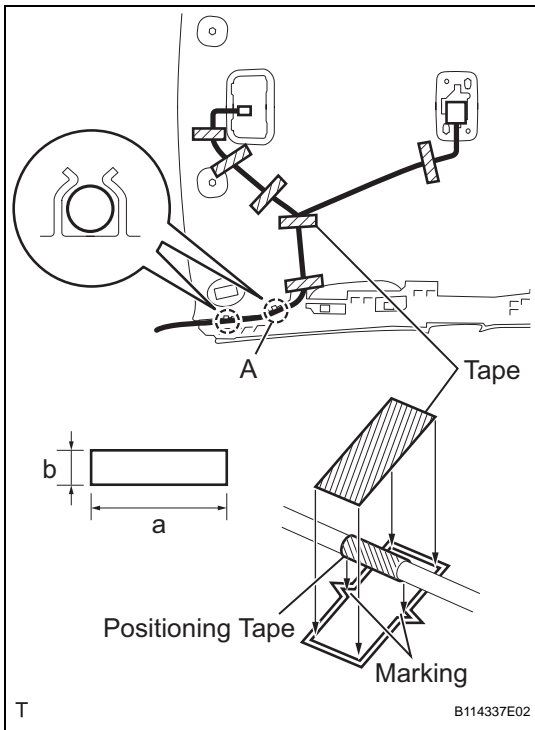
Mark	Measurement
a	80 mm (3.15 in.)
b	20 mm (0.787 in.)

NOTICE:

- Apply the tape securely in place.
- Do not touch the adhesive surface when applying the tape to prevent adhesion failure.

- (b) w/o Curtain Shield Airbag:

- (1) Install the part of the No. 1 roof wire marked with red positioning tape into claw A of the front side rail spacer.
- (2) Install the No. 1 roof wire positioning tape into the claw of the front side rail spacer.
- (3) Align the No. 1 roof wire positioning tapes with the markings of the roof headlining.



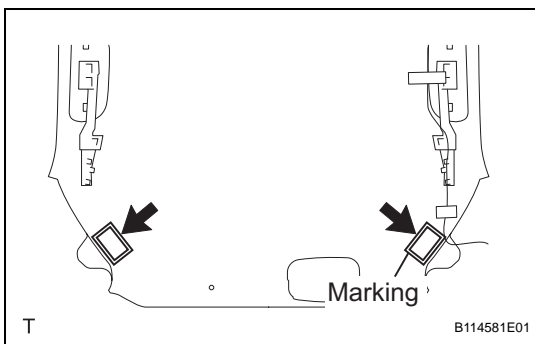
- (4) Install the No. 1 roof wire onto the roof headlining with 6 new pieces of tape.

Tape size:

Mark	Measurement
a	80 mm (3.15 in.)
b	20 mm (0.787 in.)

NOTICE:

- Apply the tape securely in place.
- Do not touch the adhesive surface when applying the tape to prevent adhesion failure.

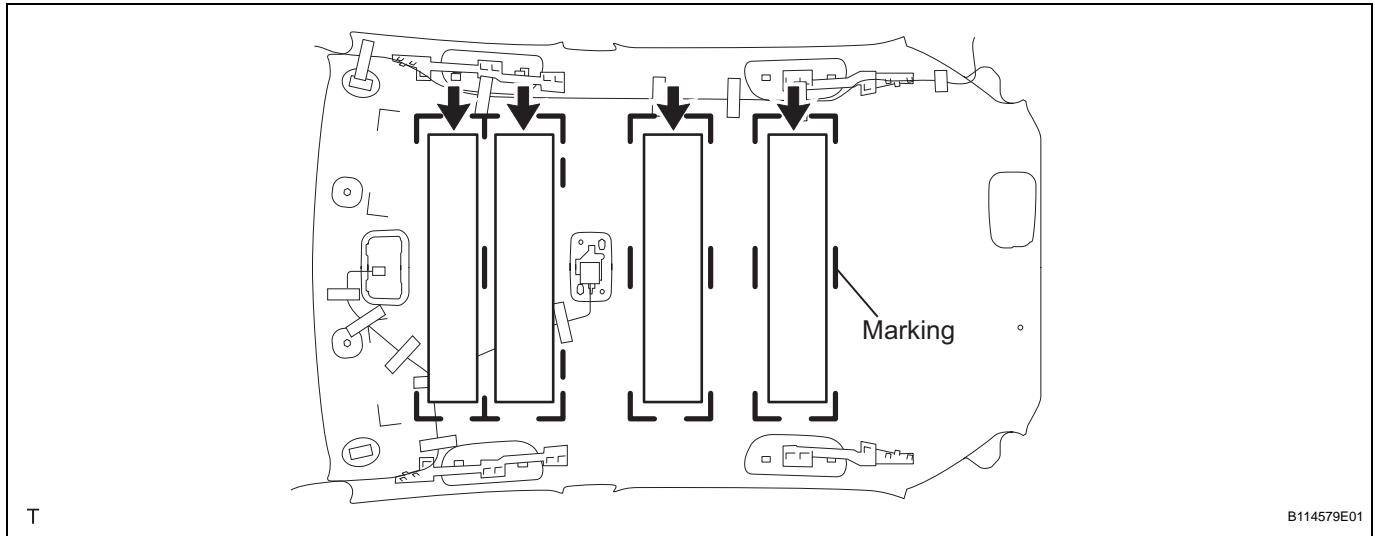


7. INSTALL REAR ROOF SILENCER PAD

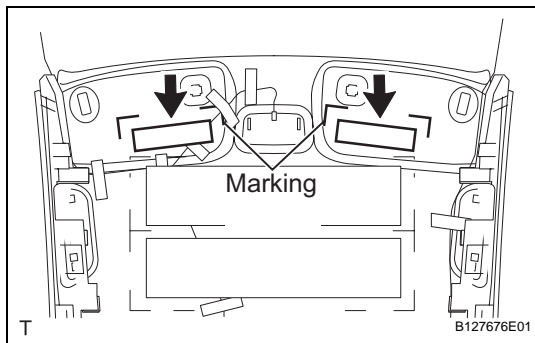
- (a) Align 2 new rear roof silencer pads with the markings of the roof headlining and install them onto the roof headlining.

8. INSTALL NO. 1 ROOF SILENCER PAD

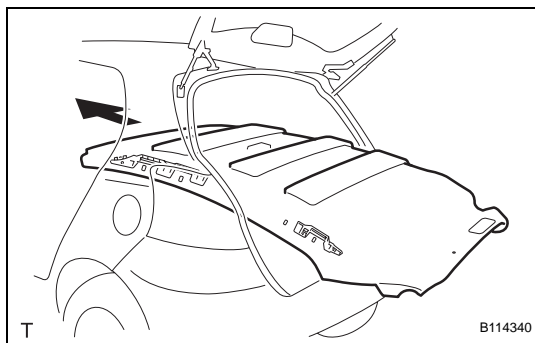
- (a) Align 4 new No. 1 roof silencer pads with the markings of the roof headlining and install them onto the roof headlining.

**9. INSTALL NO. 5 ROOF SILENCER PAD**

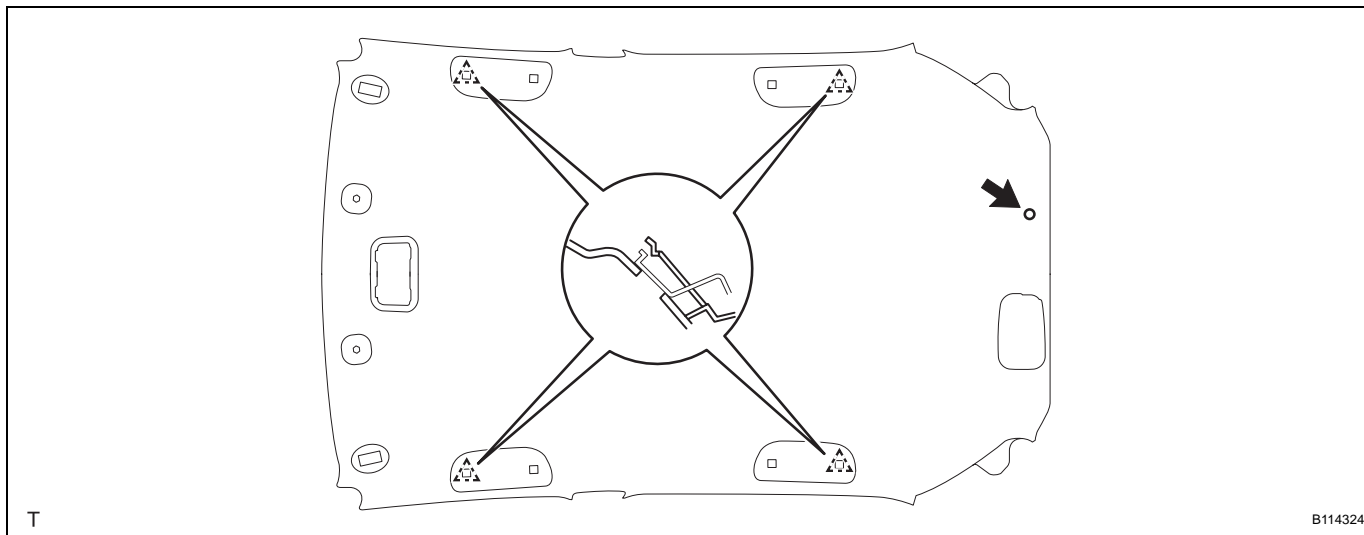
- (a) Align 2 new No. 5 roof silencer pads with the markings of the roof headlining and install them onto the roof headlining.

**10. INSTALL ROOF HEADLINING ASSEMBLY**

- (a) Pull the roof headlining back into the vehicle through the back door.
- (b) w/ Curtain Shield Airbag:
- (1) Engage the 4 hooks and install the roof headlining.

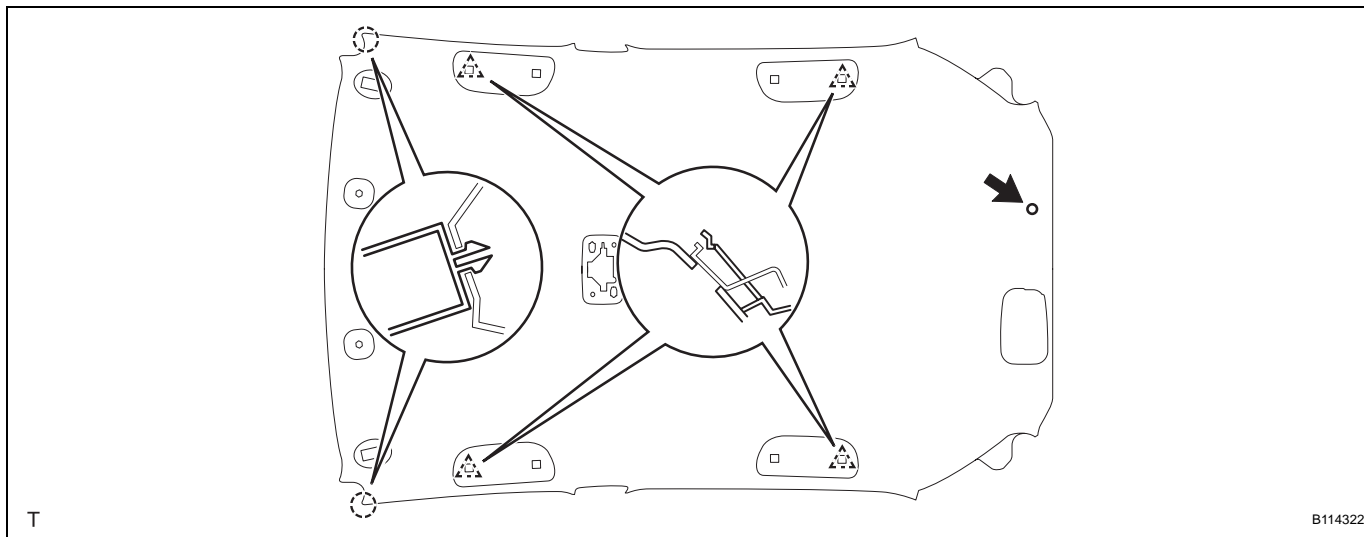


(2) Install the clip.

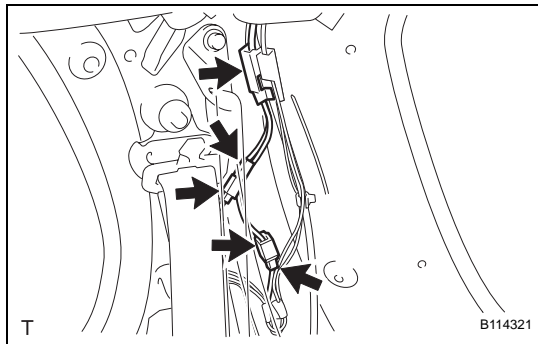


(c) w/o Curtain Shield Airbag:

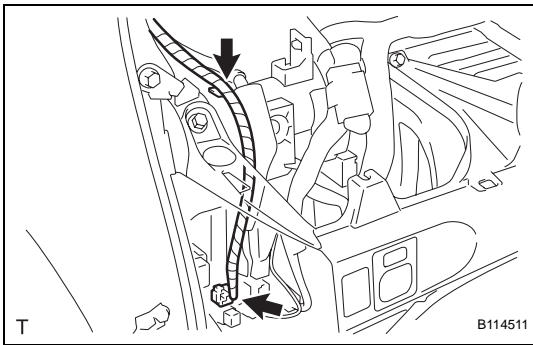
- (1) Engage the 2 claws and the 4 hooks and install the roof headlining.
- (2) Install the clip.



IR

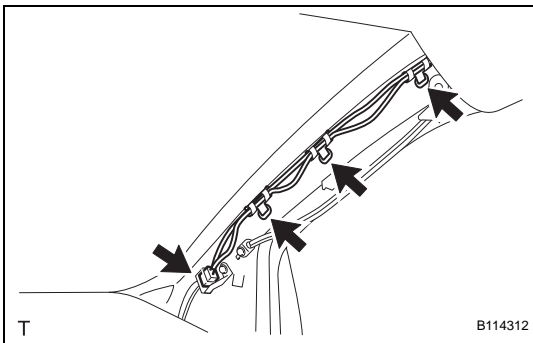
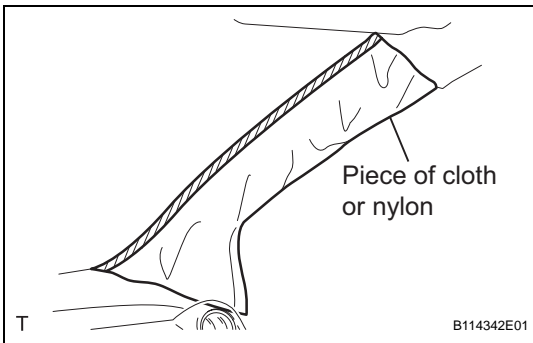


- (d) Install the 2 connectors.
- (e) Connect the 2 connectors.
- (f) Install the antenna cord onto the antenna cord clamp.

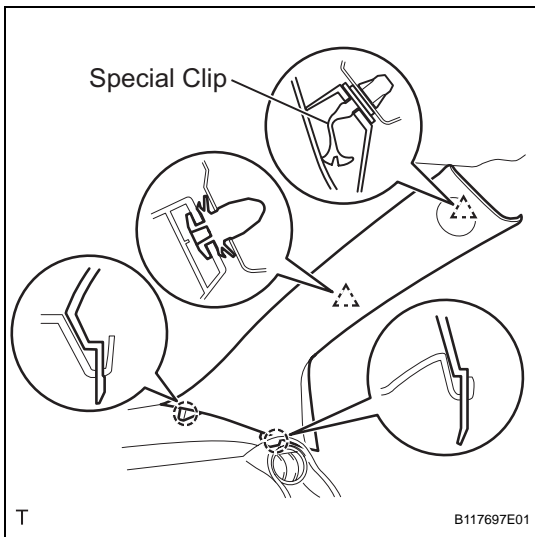


- (g) Connect the connector.
- (h) Install the wiring harness clamp.

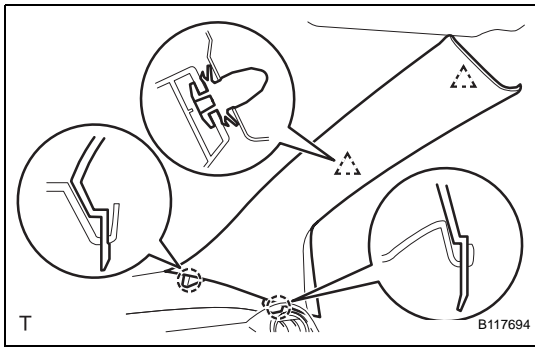
11. **INSTALL INSTRUMENT PANEL BOX** (See page [IP-78](#))
12. **INSTALL UPPER INSTRUMENT PANEL SUB-ASSEMBLY** (See page [IP-29](#))
13. **INSTALL NO. 1 SWITCH HOLE BASE** (See page [IP-32](#))
14. **INSTALL GLOVE COMPARTMENT DOOR ASSEMBLY** (See page [IP-32](#))
15. **INSTALL COMBINATION METER ASSEMBLY** (See page [ME-148](#))
16. **INSTALL INSTRUMENT CLUSTER FINISH PANEL** (See page [ME-148](#))
17. **INSTALL INSTRUMENT PANEL FINISH PANEL END RH** (See page [ME-149](#))
18. **INSTALL INSTRUMENT PANEL FINISH PANEL END LH** (See page [ME-149](#))
19. **INSTALL FRONT PILLAR GARNISH RH**
 - (a) w/ Curtain Shield Airbag:
 - (1) Remove the piece of cloth or nylon.



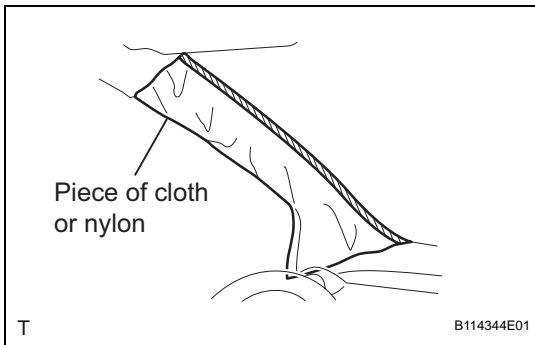
- (b) Install the 3 antenna cord clamps.
- (c) Connect the connector.



- (d) w/ Curtain Shield Airbag:
- (1) Install a new special clip and the clip onto a new front pillar garnish.
 - (2) Engage the 2 clips and the 2 claws and install the front pillar garnish.

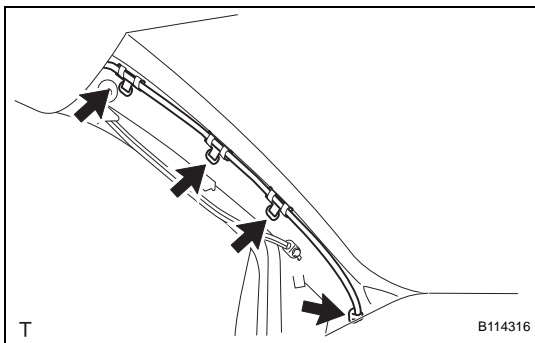


- (e) w/o Curtain Shield Airbag:
- (1) Engage the 2 clips and the 2 claws and install the front pillar garnish.

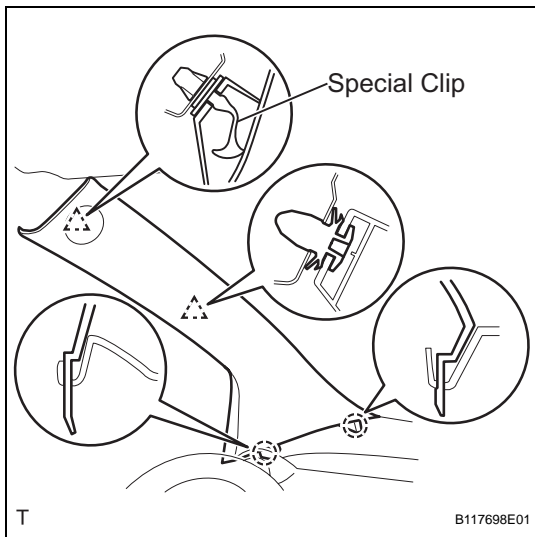


20. INSTALL FRONT PILLAR GARNISH LH

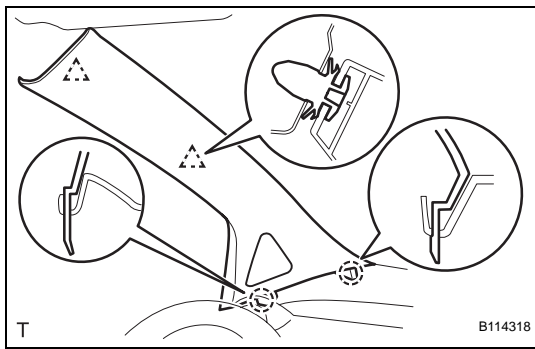
- (a) w/ Curtain Shield Airbag:
- (1) Remove the piece of cloth or nylon.



- (b) Install the 4 wiring harness clamps.

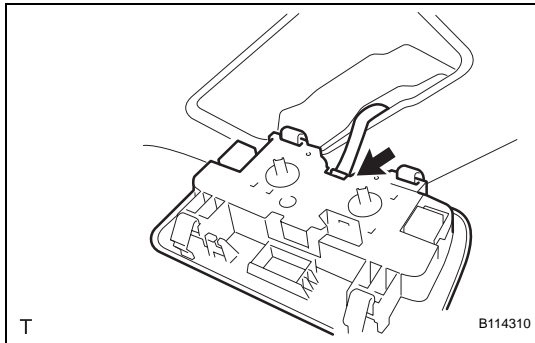


- (c) w/ Curtain Shield Airbag:
 - (1) Install a new special clip and the clip onto a new front pillar garnish.
 - (2) Engage the 2 clips and the 2 claws and install the front pillar garnish.

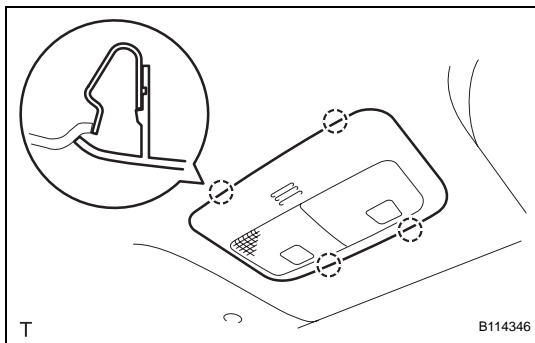


- (d) w/o Curtain Shield Airbag:
 - (1) Engage the 2 clips and the 2 claws and install the front pillar garnish.

21. INSTALL MAP LIGHT ASSEMBLY



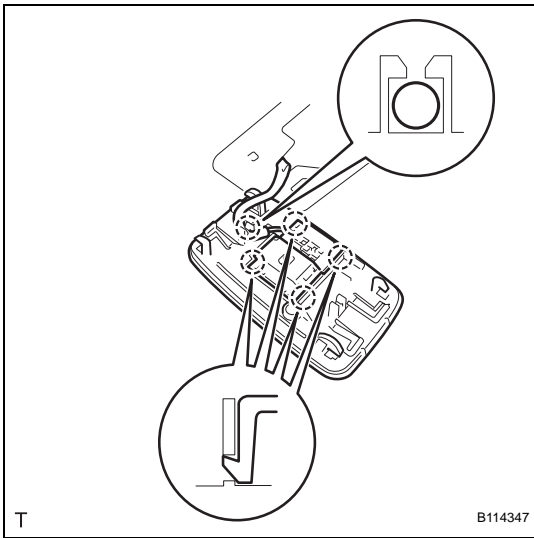
- (a) Connect the map light connector.



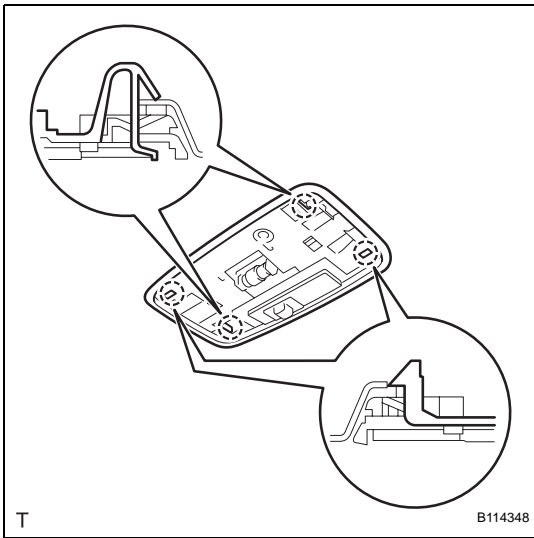
- (b) Engage the 4 claws and install the map light.

22. INSTALL ROOM LIGHT ASSEMBLY

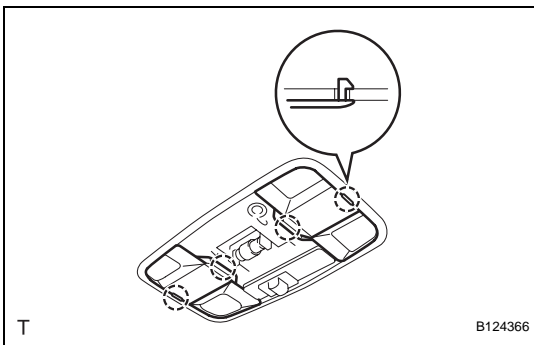
- (a) Engage the 4 claws and install the room light switch base.
- (b) Install the No. 1 roof wire onto the claw of the room light.



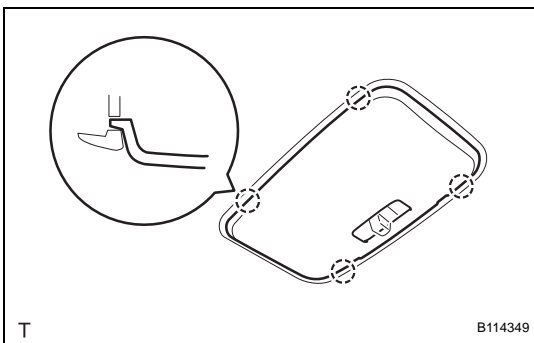
- (c) Engage the 4 claws and install the room light.

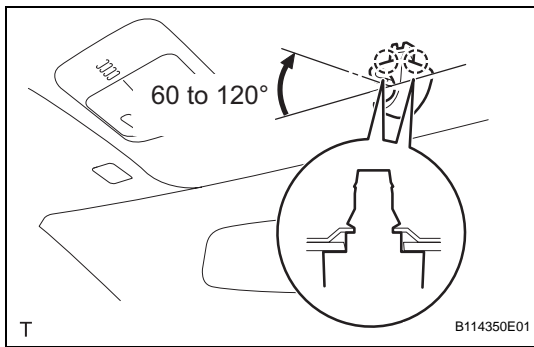


- (d) Engage the 4 claws and install the 2 covers.



- (e) Engage the 4 claws and install the room light lens.





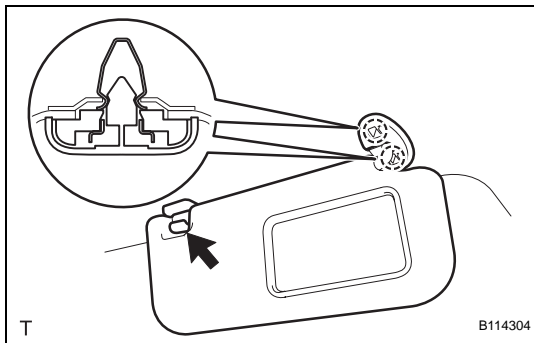
23. INSTALL VISOR HOLDER RH

- (a) Engage the 2 claws by turning the visor holder clockwise between 60 to 120° and install the visor holder.

24. INSTALL VISOR HOLDER LH

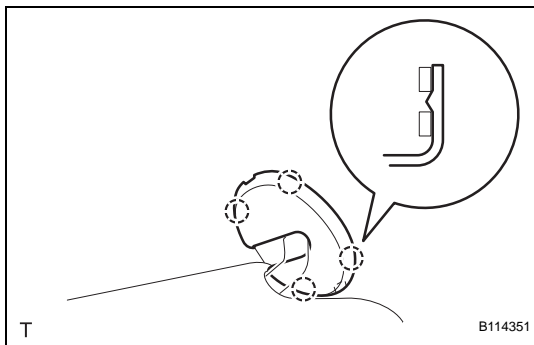
HINT:

Use the same procedure as for the RH side.



25. INSTALL VISOR ASSEMBLY RH

- (a) Engage the 2 springs and install the visor.
- (b) Install the visor shaft into the visor holder.

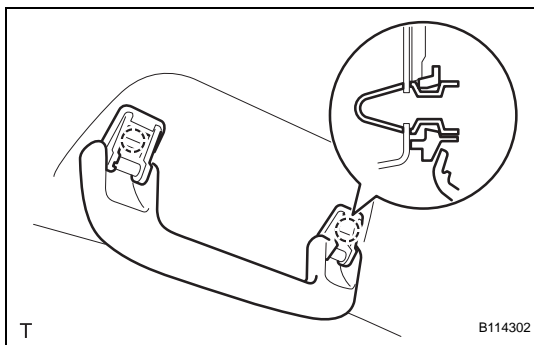


- (c) Engage the 4 claws and install the visor bracket cover.

26. INSTALL VISOR ASSEMBLY LH

HINT:

Use the same procedure as for the RH side.

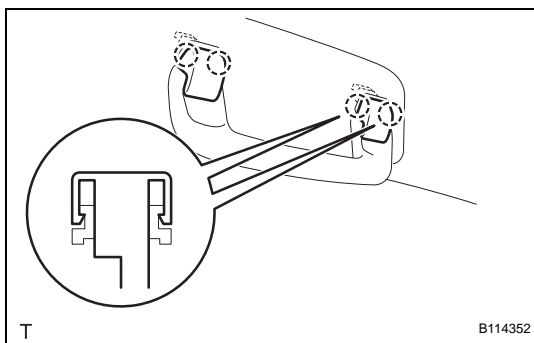


27. INSTALL ASSIST GRIP SUB-ASSEMBLY

HINT:

The fitting number of the assist grips varies with the specifications.

- (a) Engage the 2 springs and install the assist grip.

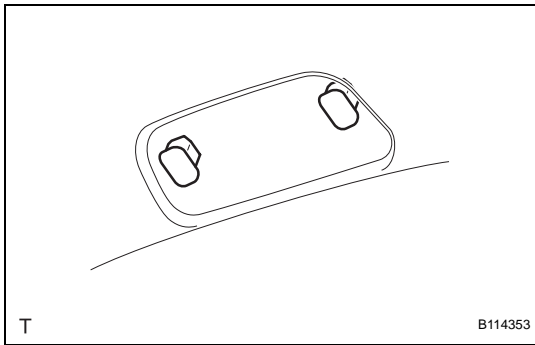


28. INSTALL ASSIST GRIP COVER

HINT:

The fitting number of the assist grip covers varies with the specifications.

- (a) Engage the 2 claws and install the assist grip cover.

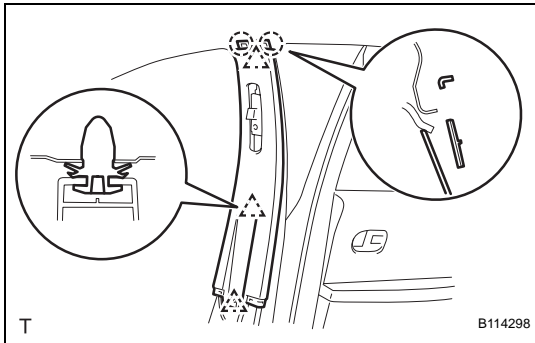


29. INSTALL ROOF HEADLINING SERVICE HOLE COVER (w/o Curtain Shield Airbag)

HINT:

The fitting number of the roof headlining service hole covers varies with the specifications.

- (a) Install the roof headlining service hole cover.



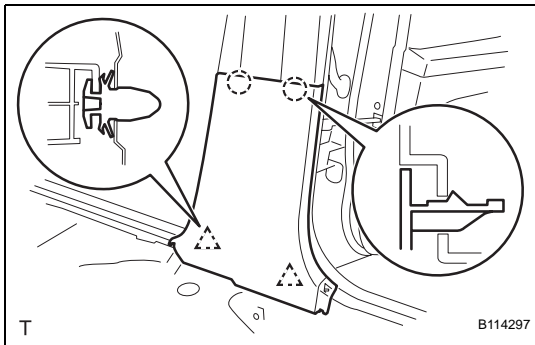
31. INSTALL CENTER PILLAR UPPER GARNISH RH

- (a) Engage the 3 clips and the 2 hooks and install the center pillar upper garnish.

32. INSTALL CENTER PILLAR UPPER GARNISH LH

HINT:

Use the same procedure as for the RH side.



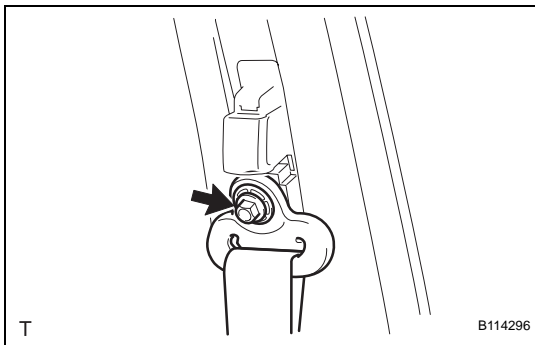
33. INSTALL CENTER PILLAR LOWER GARNISH RH

- (a) Engage the 2 clips and the 2 claws and install the center pillar lower garnish.

34. INSTALL CENTER PILLAR LOWER GARNISH LH

HINT:

Use the same procedure as for the RH side.



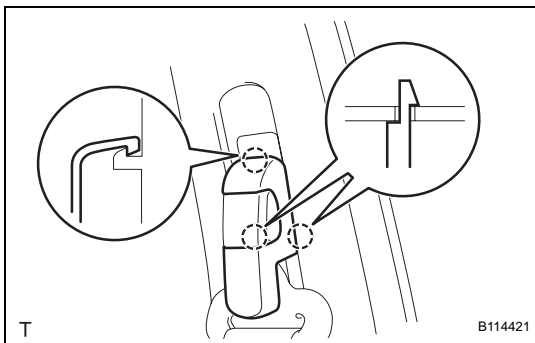
35. INSTALL FRONT SEAT OUTER BELT ASSEMBLY RH

- (a) Install the shoulder anchor with the bolt.
Torque: 42 N*m (430 kgf*cm, 31 ft.*lbf)

36. INSTALL FRONT SEAT OUTER BELT ASSEMBLY LH

HINT:

Use the same procedure as for the RH side.

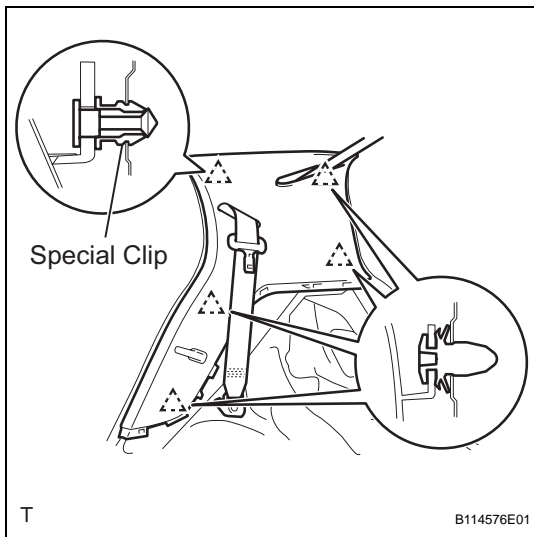


37. INSTALL SEAT BELT ANCHOR COVER CAP

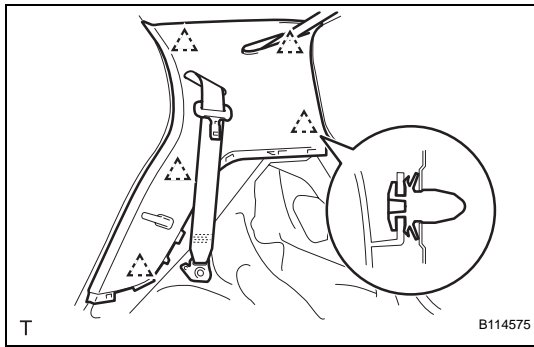
HINT:

Use the same procedure for both sides.

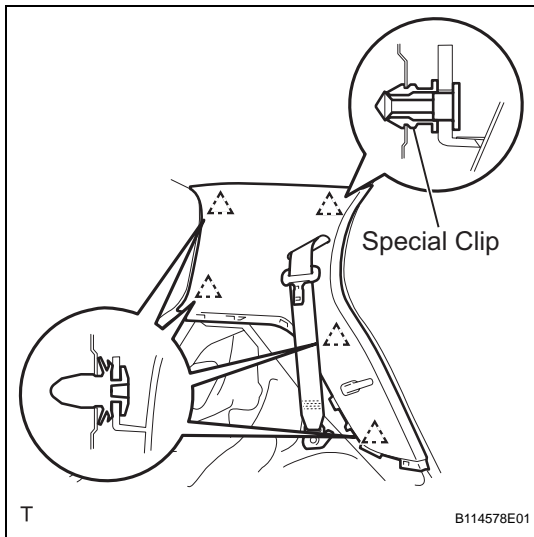
- (a) Engage the 3 claws and install the seat belt anchor cover cap.

**38. INSTALL ROOF SIDE INNER GARNISH RH**

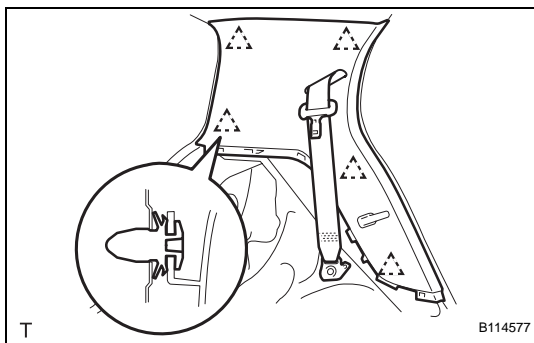
- (a) w/ Curtain Shield Airbag:
- (1) Install a new special clip onto the roof side inner garnish.
 - (2) Pass the rear seat outer belt and the rear center seat outer belt through the slit in the roof side inner garnish.
 - (3) Engage the 5 clips and install the roof side inner garnish.



- (b) w/ Curtain Shield Airbag:
- (1) Pass the rear seat outer belt and the rear center seat outer belt through the slit in the roof side inner garnish.
 - (2) Engage the 5 clips and install the roof side inner garnish.

**39. INSTALL ROOF SIDE INNER GARNISH LH**

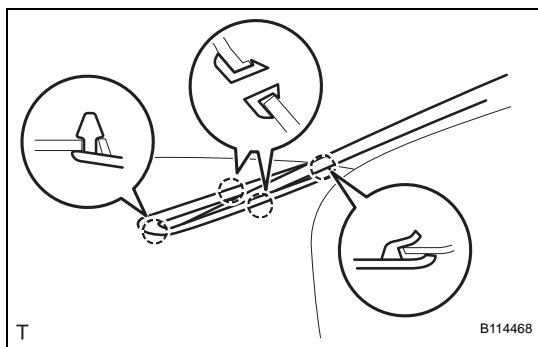
- (a) w/ Curtain Shield Airbag:
- (1) Install a new special clip onto the roof side inner garnish.
 - (2) Pass the rear seat outer belt through the slit in the roof side inner garnish.
 - (3) Engage the 5 clips and install the roof side inner garnish.



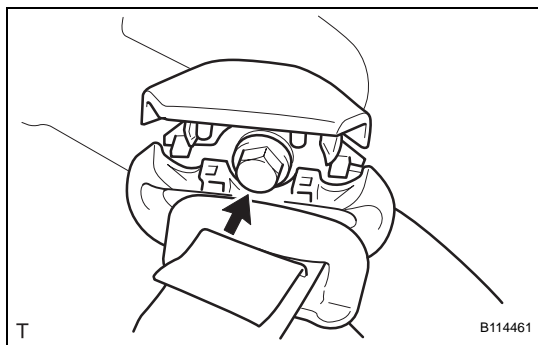
- (b) w/ Curtain Shield Airbag:
- (1) Pass the rear seat outer belt through the slit in the roof side inner garnish.
 - (2) Engage the 5 clips and install the roof side inner garnish.

40. INSTALL REAR CENTER SEAT OUTER BELT ASSEMBLY

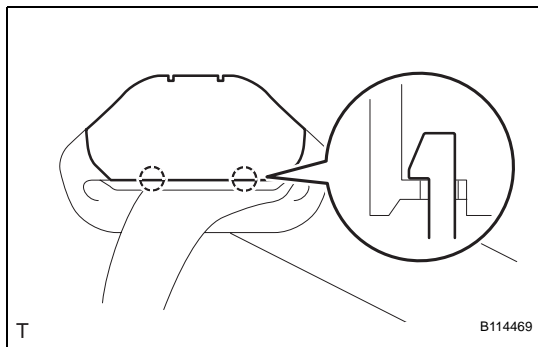
(a) Engage the 4 claws and install the center belt guide.



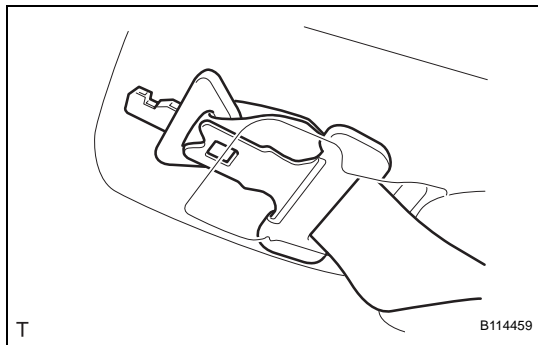
(b) Install the through anchor with the bolt.
Torque: 42 N*m (430 kgf*cm, 31 ft.*lbf)

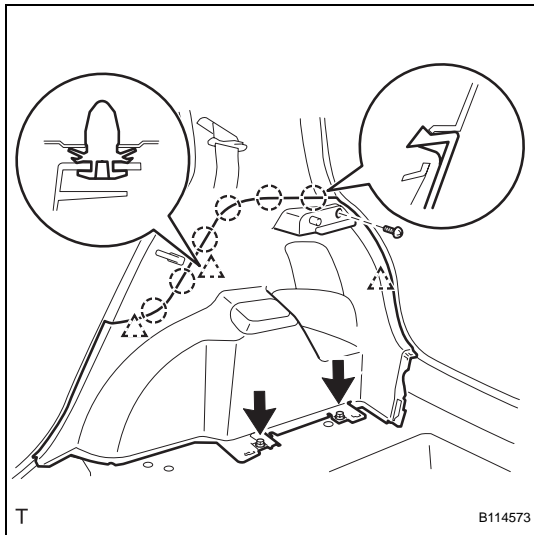


(c) Engage the 2 claws and close the slip joint cover.

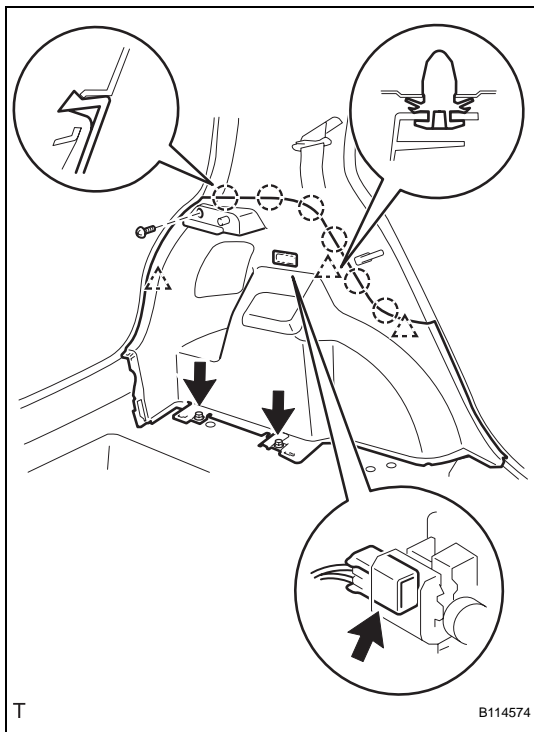


(d) Install the 2 tongue plates.



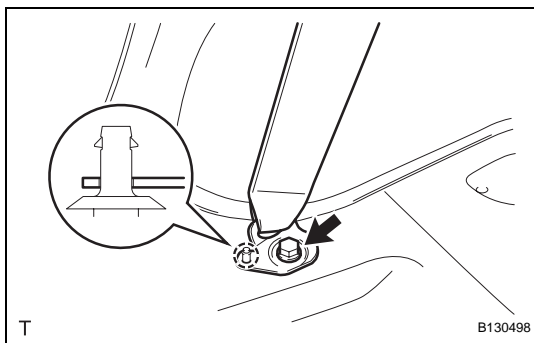
**41. INSTALL DECK TRIM SIDE PANEL ASSEMBLY RH**

- (a) Engage the 3 clips and the 6 claws and install the deck trim side panel.
- (b) Tighten the 3 screws.

**42. INSTALL DECK TRIM SIDE PANEL ASSEMBLY LH**

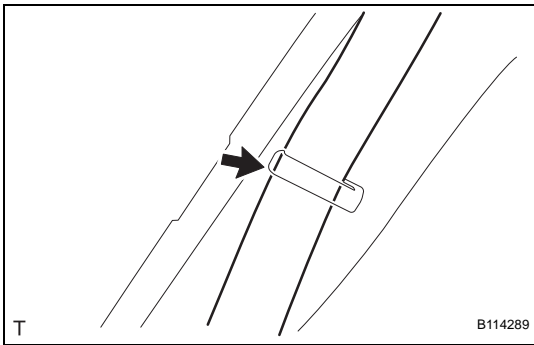
- (a) Connect the luggage compartment room light connector.
- (b) Engage the 3 clips and the 6 claws and install the deck trim side board.
- (c) Tighten the 3 screws.

IR

**43. INSTALL REAR SEAT OUTER BELT ASSEMBLY RH**

- (a) Engage the clip and install the anchor plate.
- (b) Tighten the bolt.

Torque: 42 N*m (430 kgf*cm, 31 ft.*lbf)

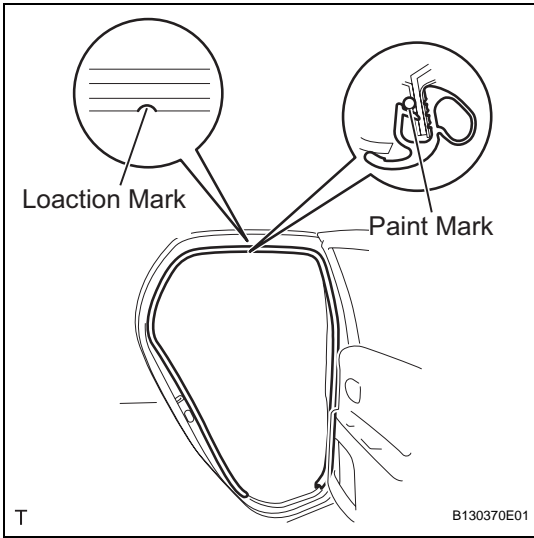


(c) Install the belt into the rear seat shoulder belt hanger.

44. INSTALL REAR SEAT OUTER BELT ASSEMBLY LH

HINT:

Use the same procedure as for the RH side.



45. INSTALL REAR DOOR OPENING TRIM WEATHERSTRIP RH

(a) Align the location mark with the paint mark first, and install the rear door opening trim weatherstrip, as shown in the illustration.

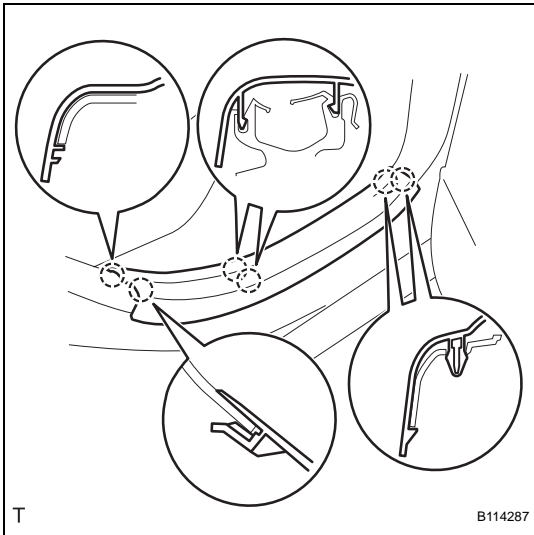
Paint mark:

Area	Color
RH side	Purple
LH side	Pink

46. INSTALL REAR DOOR OPENING TRIM WEATHERSTRIP LH

HINT:

Use the same procedure as for the RH side.



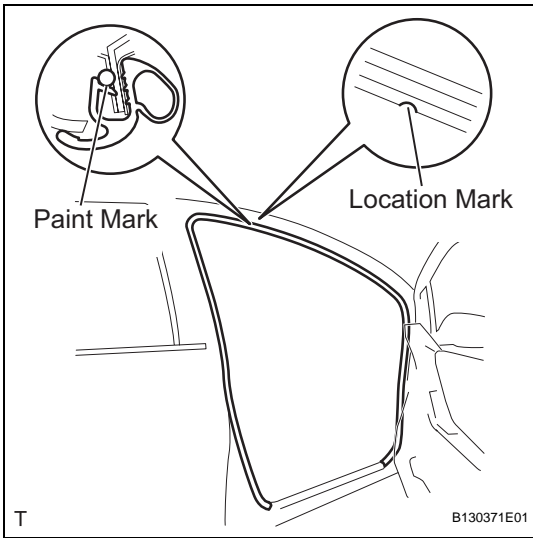
47. INSTALL REAR DOOR SCUFF PLATE RH

(a) Engage the 6 claws and install the rear door scuff plate.

48. INSTALL REAR DOOR SCUFF PLATE LH

HINT:

Use the same procedure as for the RH side.



49. INSTALL FRONT DOOR OPENING TRIM WEATHERSTRIP RH

- (a) Align the location mark with the paint mark first, and install the front door opening trim weatherstrip, as shown in the illustration.

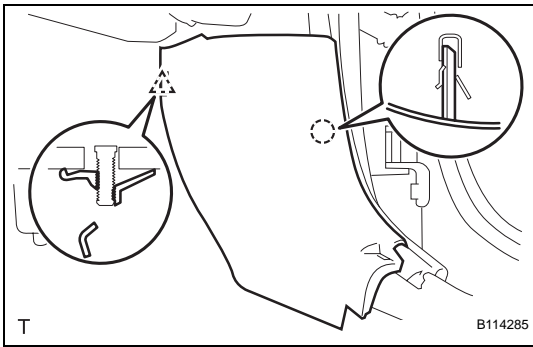
Paint mark:

Area	Color
RH side	Gold
LH side	Silver

50. INSTALL FRONT DOOR OPENING TRIM WEATHERSTRIP LH

HINT:

Use the same procedure as for the RH side.



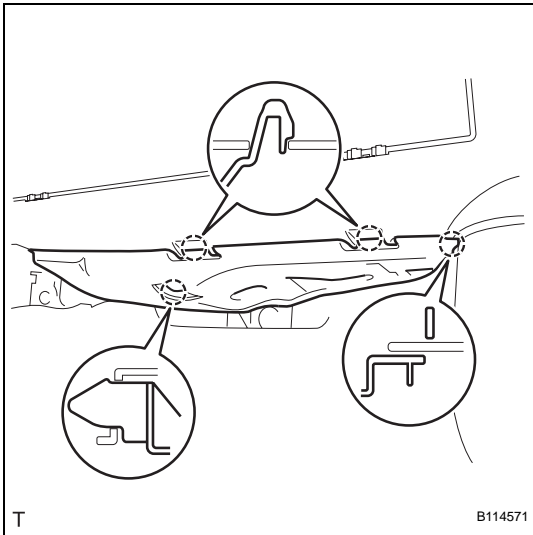
51. INSTALL COWL SIDE TRIM BOARD RH

- (a) Engage the claw and the stud bolt and install the cowl side trim board.

52. INSTALL COWL SIDE TRIM BOARD LH

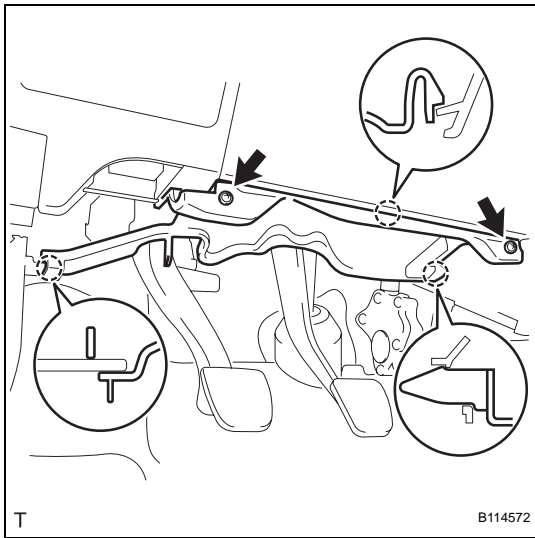
HINT:

Use the same procedure as for the RH side.



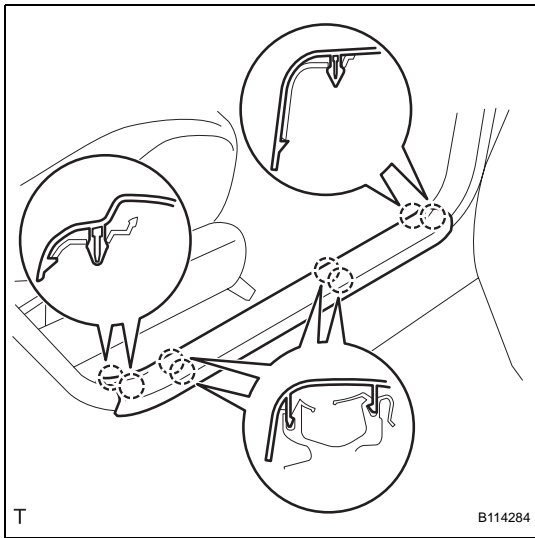
53. INSTALL INSTRUMENT PANEL UNDER COVER SUB-ASSEMBLY RH

- (a) Engage the 4 claws and install the instrument panel under cover.



54. INSTALL INSTRUMENT PANEL UNDER COVER SUB-ASSEMBLY LH

- (a) Engage the 3 claws and install the instrument panel under cover.
- (b) Tighten the 2 screws.

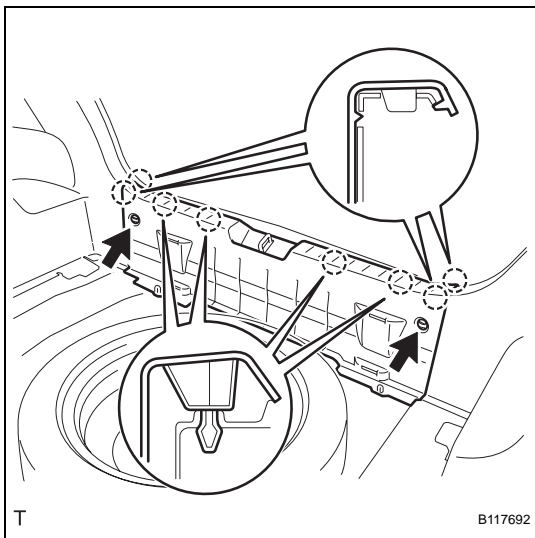


55. INSTALL FRONT DOOR SCUFF PLATE RH

- (a) Engage the 8 claws and install the front door scuff plate.

56. INSTALL FRONT DOOR SCUFF PLATE LH

- HINT:
Use the same procedure as for the RH side.



57. INSTALL REAR DECK TRIM COVER

- (a) Engage the 8 claws and install the rear deck trim cover.
- (b) Install the 2 clips.

58. INSTALL REAR SEAT ASSEMBLY RH (for 60/40 Split Seat Type) (See page SE-102)

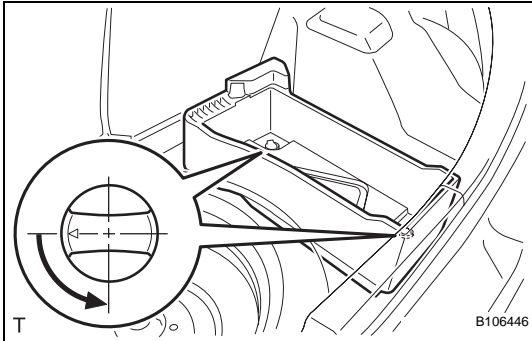
59. INSTALL REAR SEAT ASSEMBLY LH (for 60/40 Split Seat Type) (See page SE-84)

60. INSTALL NO. 1 REAR SEAT LEG COVER (for 60/40 Split Seat Type)

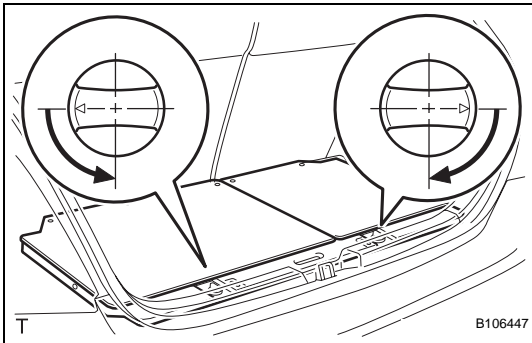
- (a) for RH Side:
 - (1) Install the No. 1 rear seat leg cover (See page SE-103).
- (b) for LH Side:
 - (1) Install the No. 1 rear seat leg cover (See page SE-85).

61. INSTALL NO. 2 REAR SEAT LEG COVER (for 60/40 Split Seat Type) (See page SE-85)

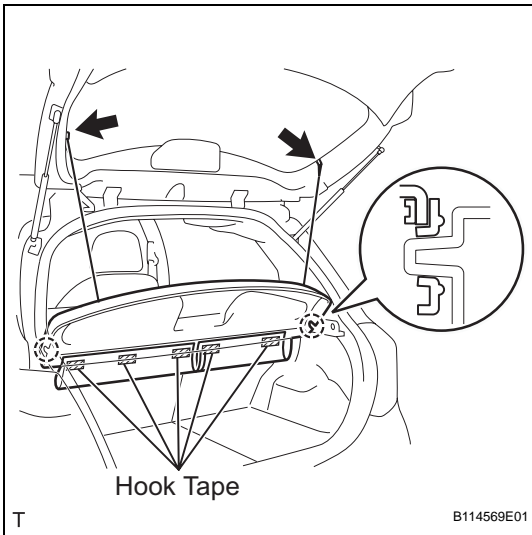
62. **INSTALL REAR SEATBACK ASSEMBLY** (for Hold Down Seat Type) (See page [SE-122](#))
63. **INSTALL REAR SEAT CUSHION COVER PAD SUB-ASSEMBLY** (for Hold Down Seat Type) (See page [SE-123](#))



64. **INSTALL DECK FLOOR BOX RH**
(a) Set the deck floor box and lock the 2 knobs.
65. **INSTALL DECK FLOOR BOX LH**
HINT:
Use the same procedure as for the RH side.



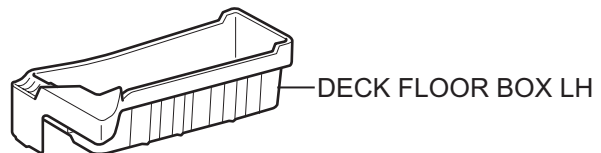
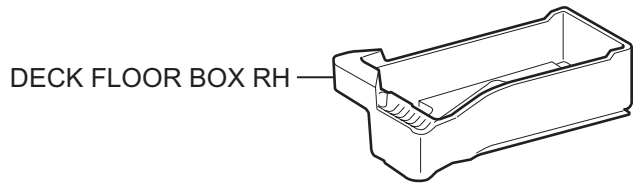
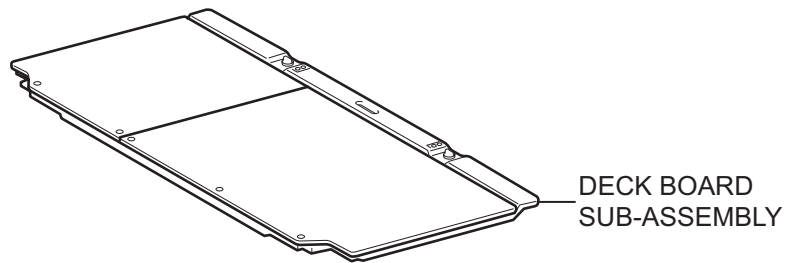
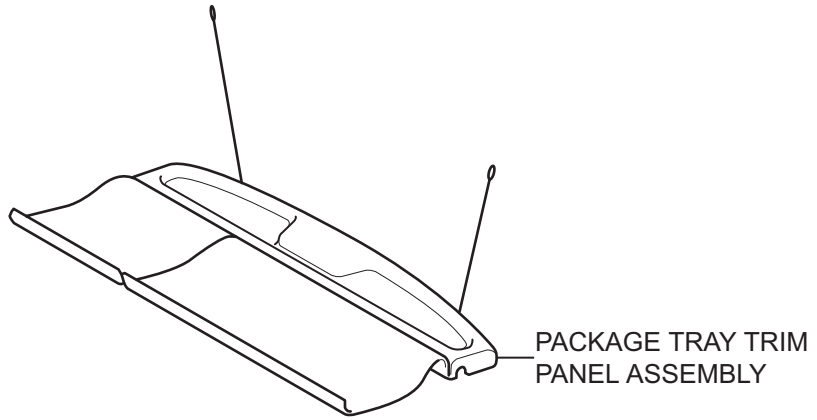
66. **INSTALL DECK BOARD SUB-ASSEMBLY**
(a) Set the deck board and lock the 2 knobs.



67. **INSTALL PACKAGE TRAY TRIM PANEL ASSEMBLY**
(a) Engage the 2 claws and install the package tray trim panel.
(b) Install the 5 pieces of hook tape.
(c) Install the 2 package tray trim suspenders.
68. **CONNECT CABLE TO NEGATIVE BATTERY TERMINAL**
Torque: 5.4 N*m (55 kgf*cm, 48 in.*lbf)
69. **INSPECT SRS WARNING LIGHT**
(See page [RS-31](#))

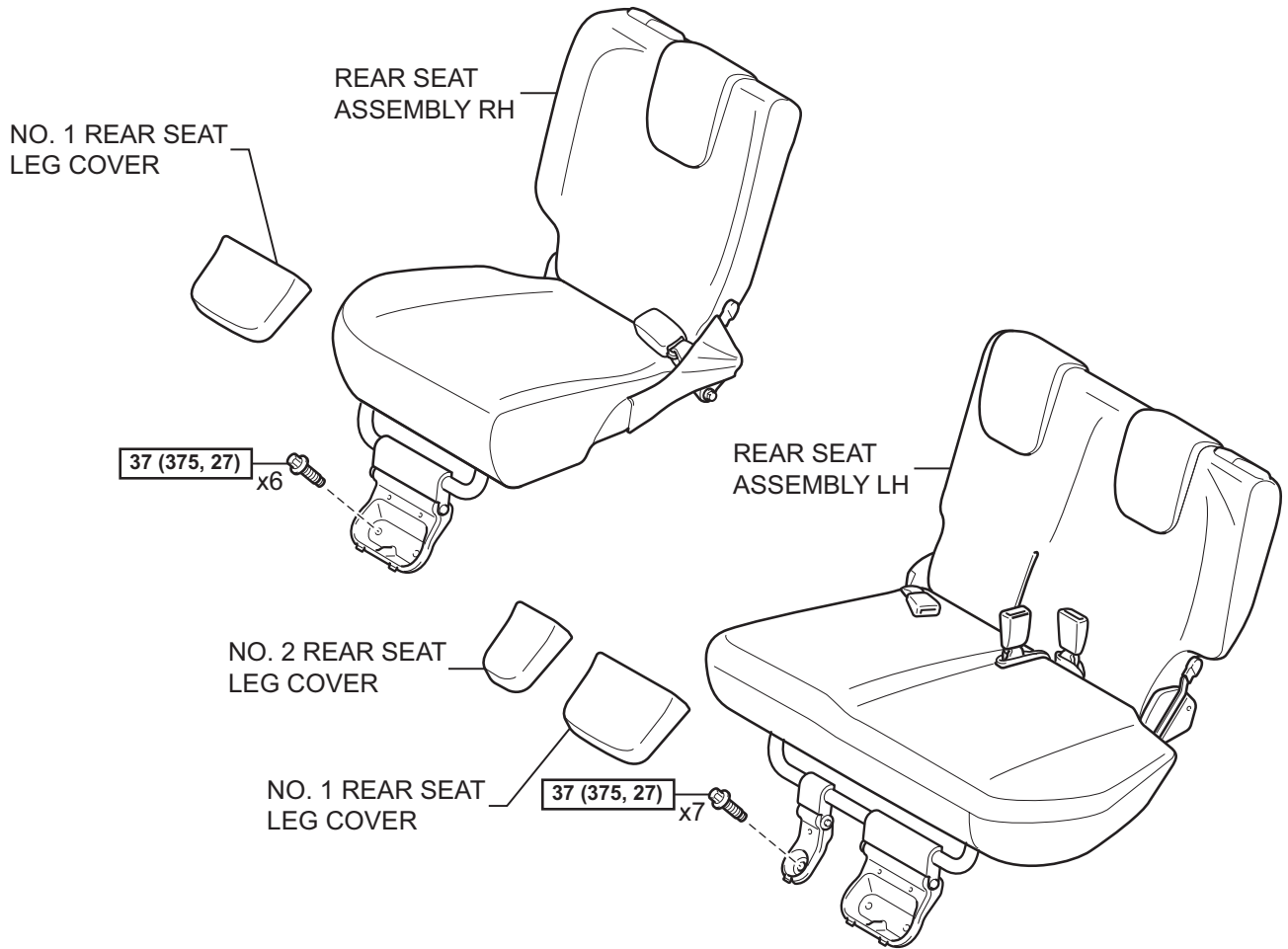
ROOF HEADLINING (for Hatchback 3 Door)

COMPONENTS

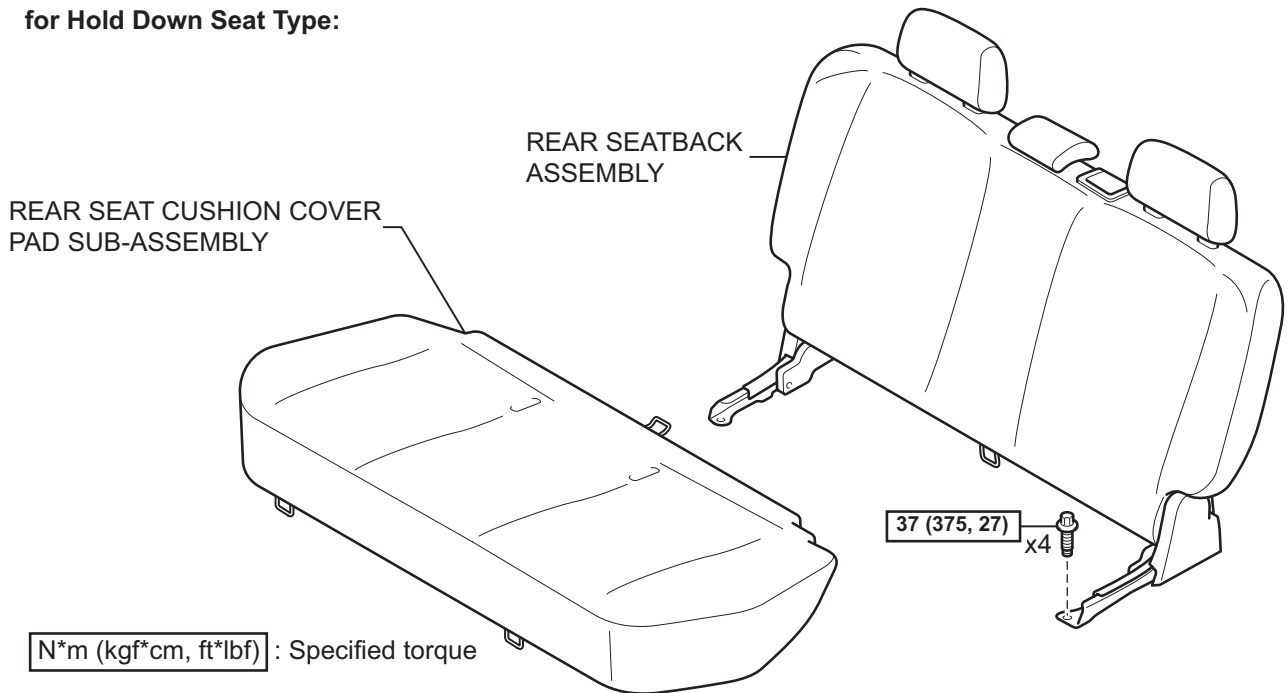


IR

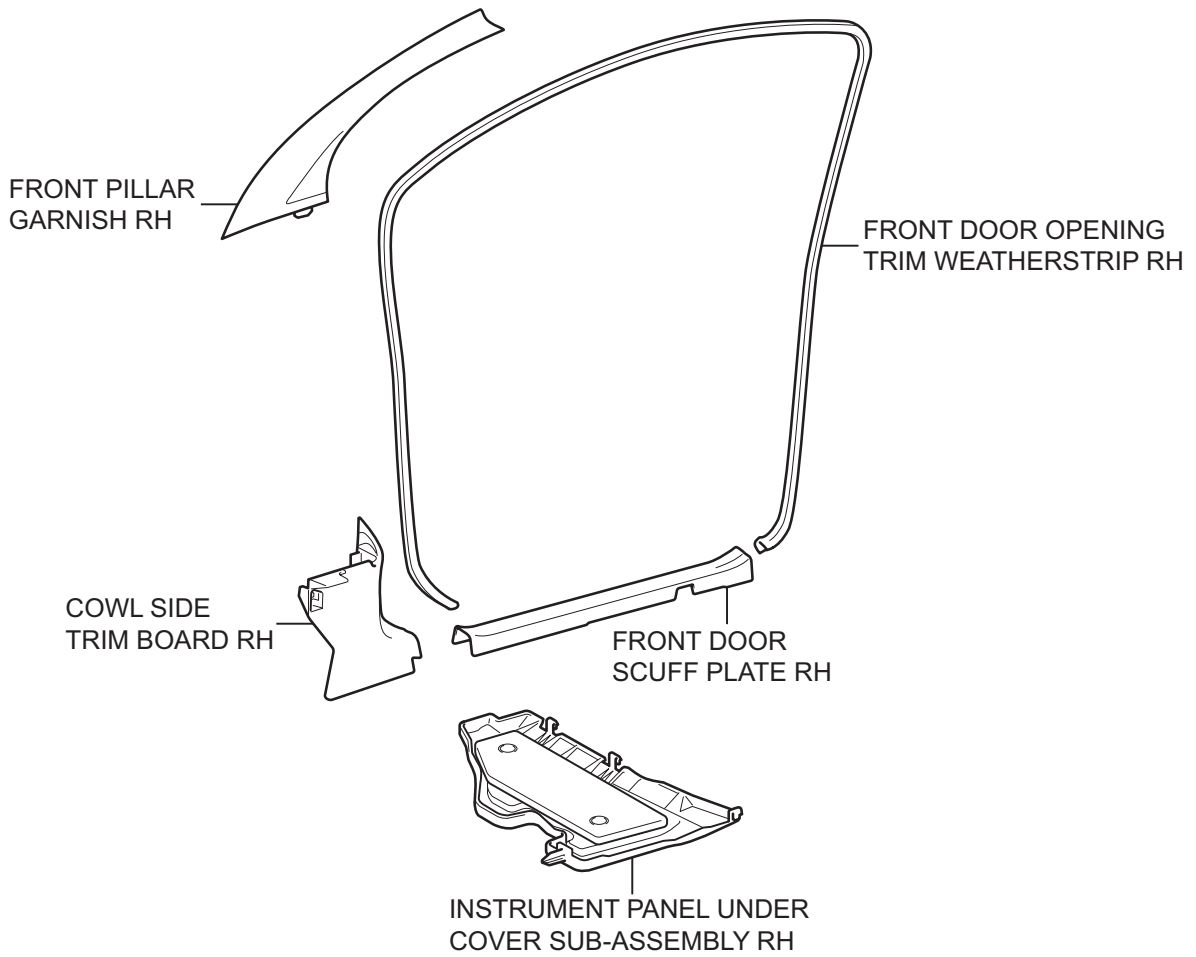
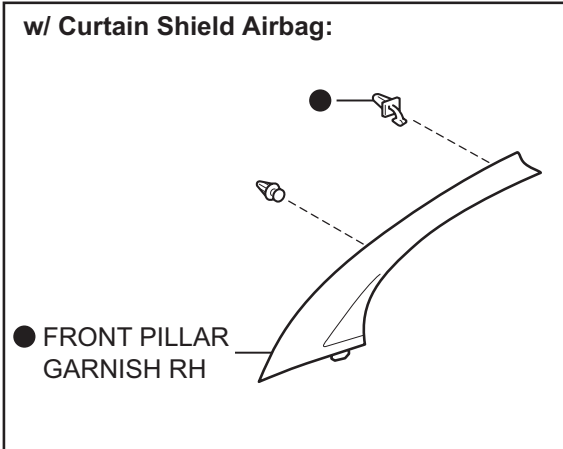
for 60/40 Split Seat Type:



for Hold Down Seat Type:

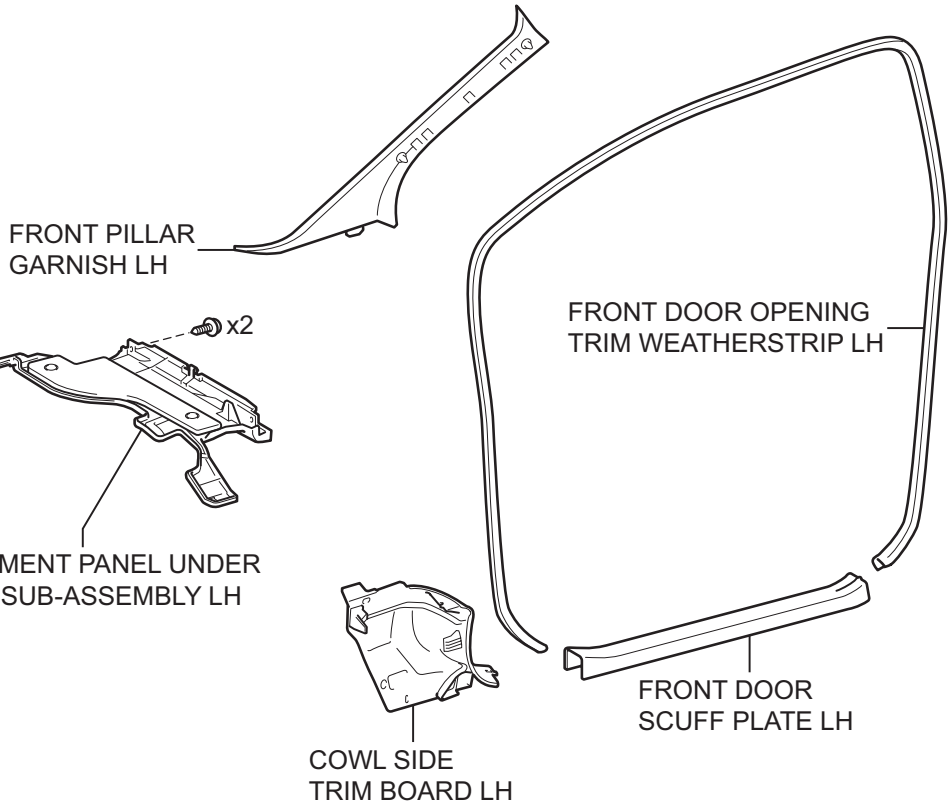
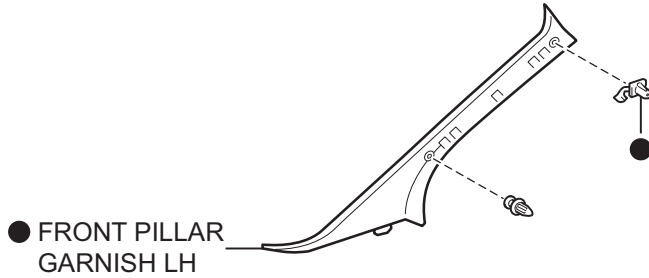


N*m (kgf*cm, ft*lbf) : Specified torque



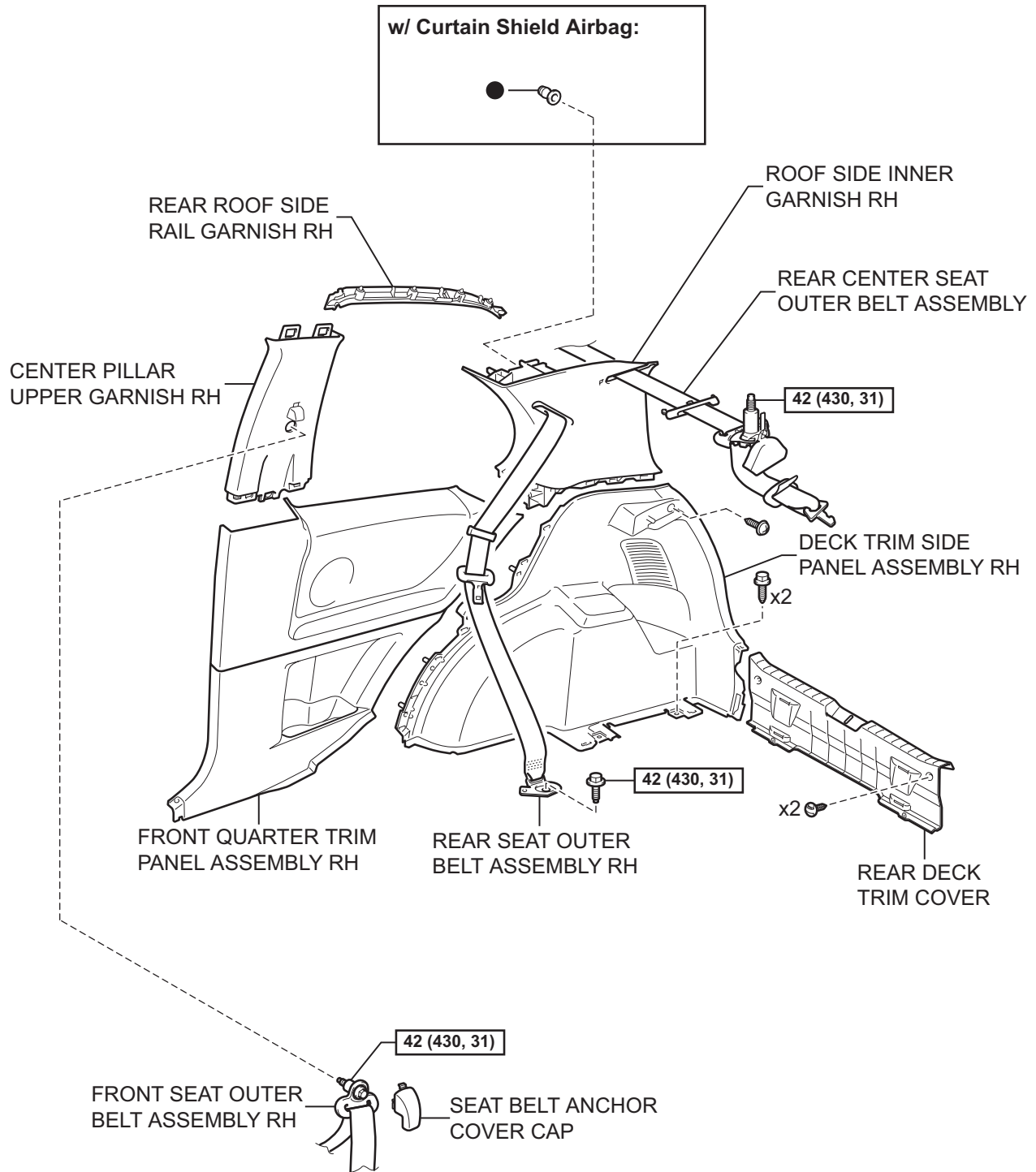
● Non-reusable part

w/ Curtain Shield Airbag:



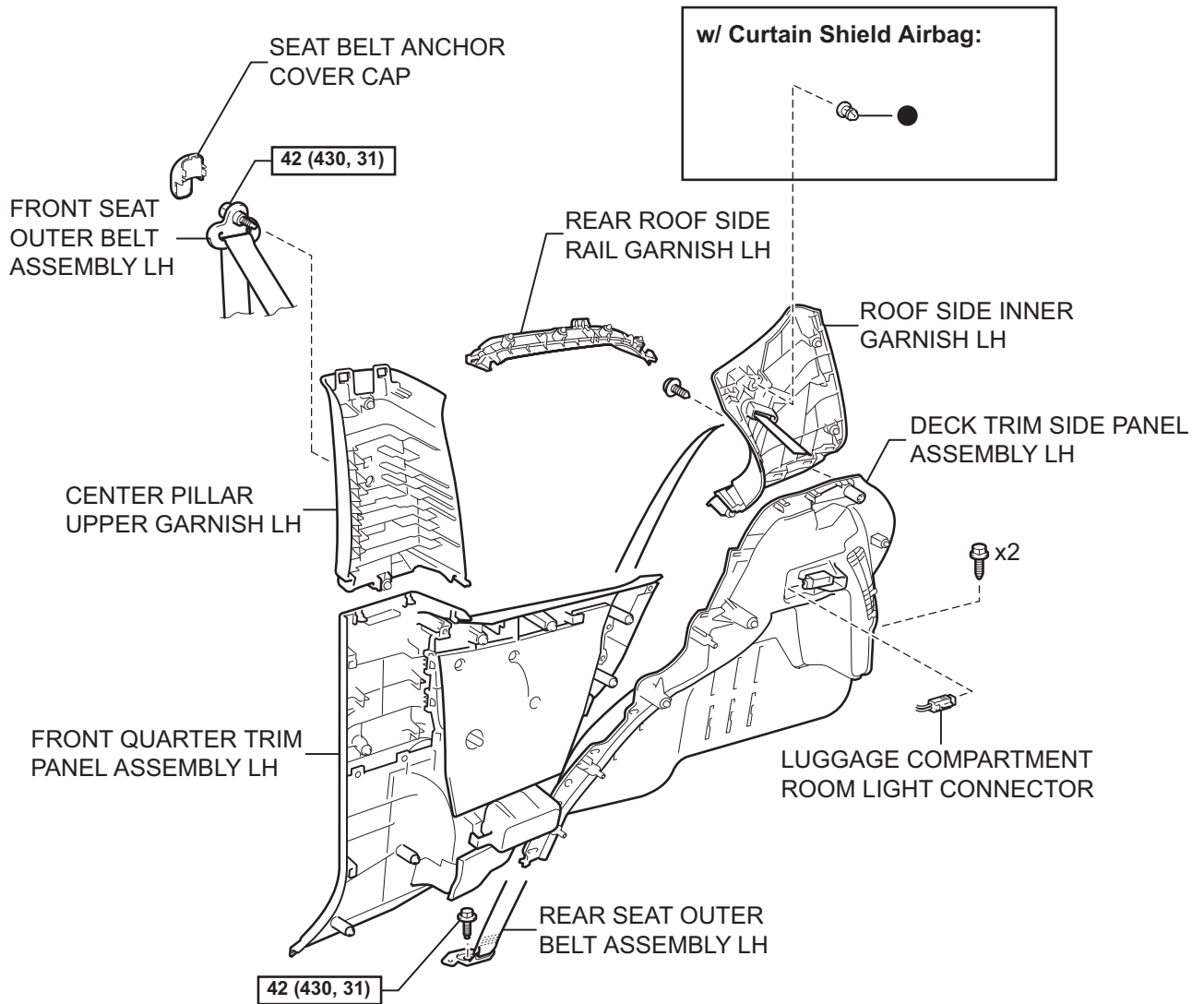
● Non-reusable part

IR



N*m (kgf*cm, ft*lbf) : Specified torque

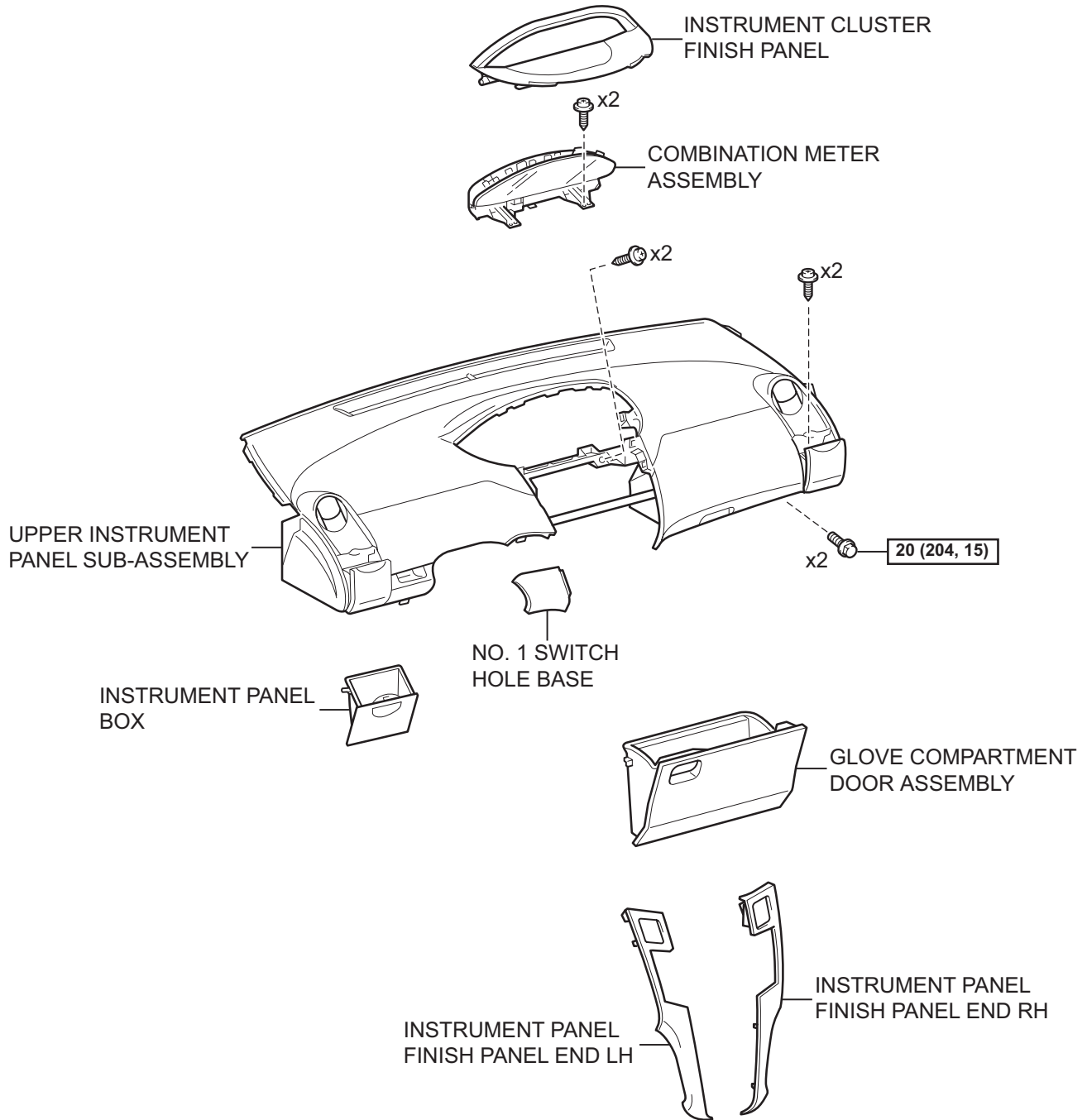
● Non-reusable part



$\boxed{\text{N*m (kgf*cm, ft*lb)}} : \text{Specified torque}$

● Non-reusable part

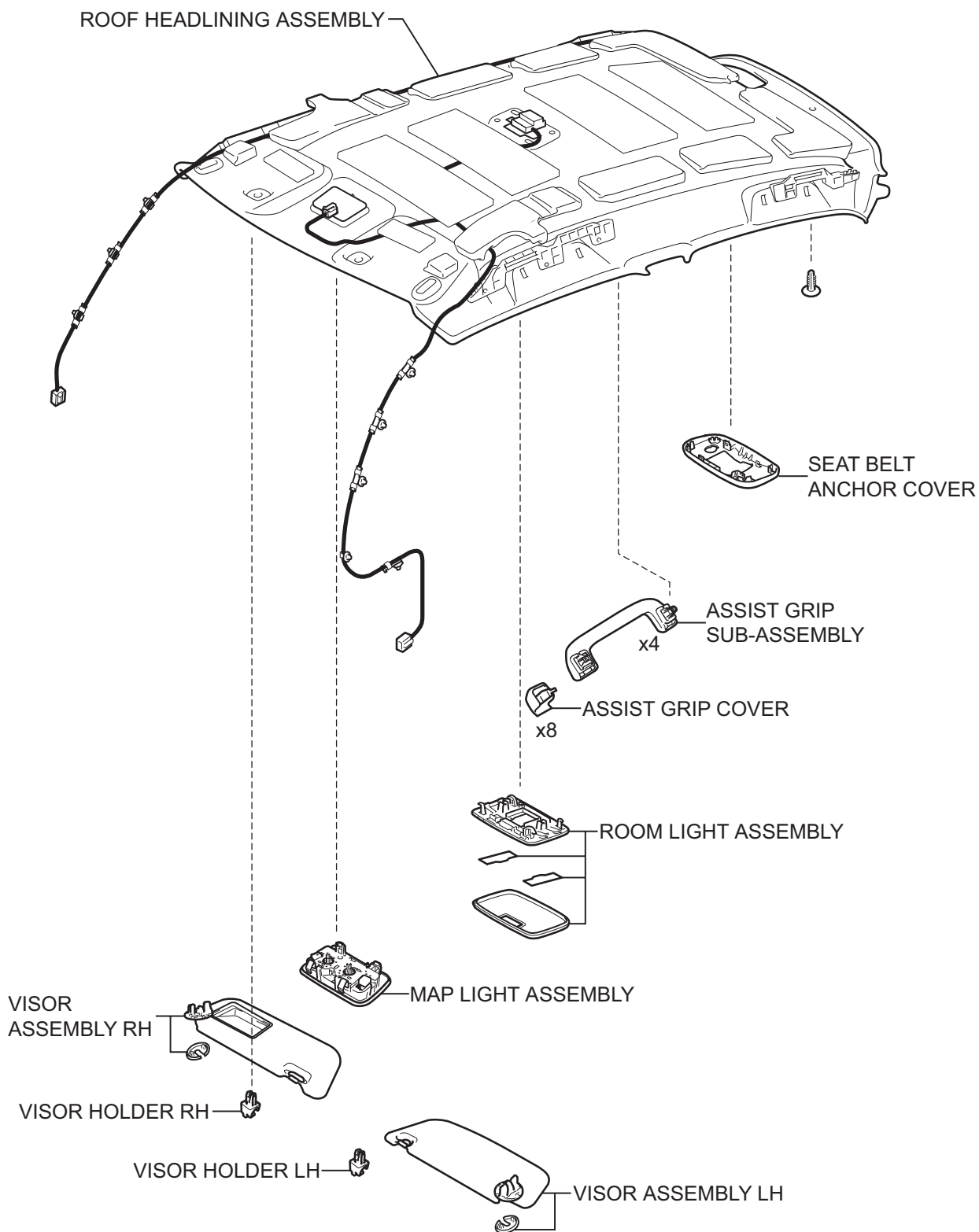
IR



N*m (kgf*cm, ft*lbf) : Specified torque

IR

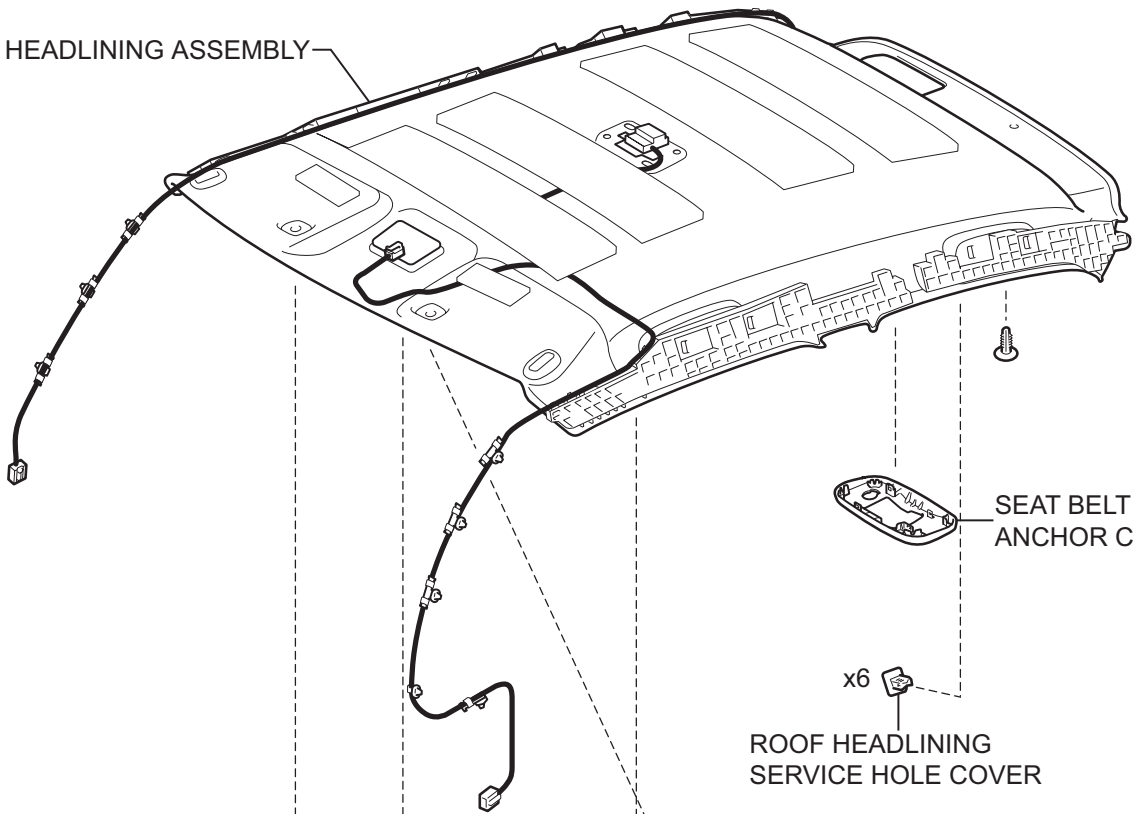
w/ Curtain Shield Airbag:



IR

w/o Curtain Shield Airbag:

ROOF HEADLINING ASSEMBLY



SEAT BELT ANCHOR COVER

x6

ROOF HEADLINING SERVICE HOLE COVER

ASSIST GRIP SUB-ASSEMBLY

x2 ASSIST GRIP COVER

ROOM LIGHT ASSEMBLY

MAP LIGHT ASSEMBLY

VISOR ASSEMBLY RH

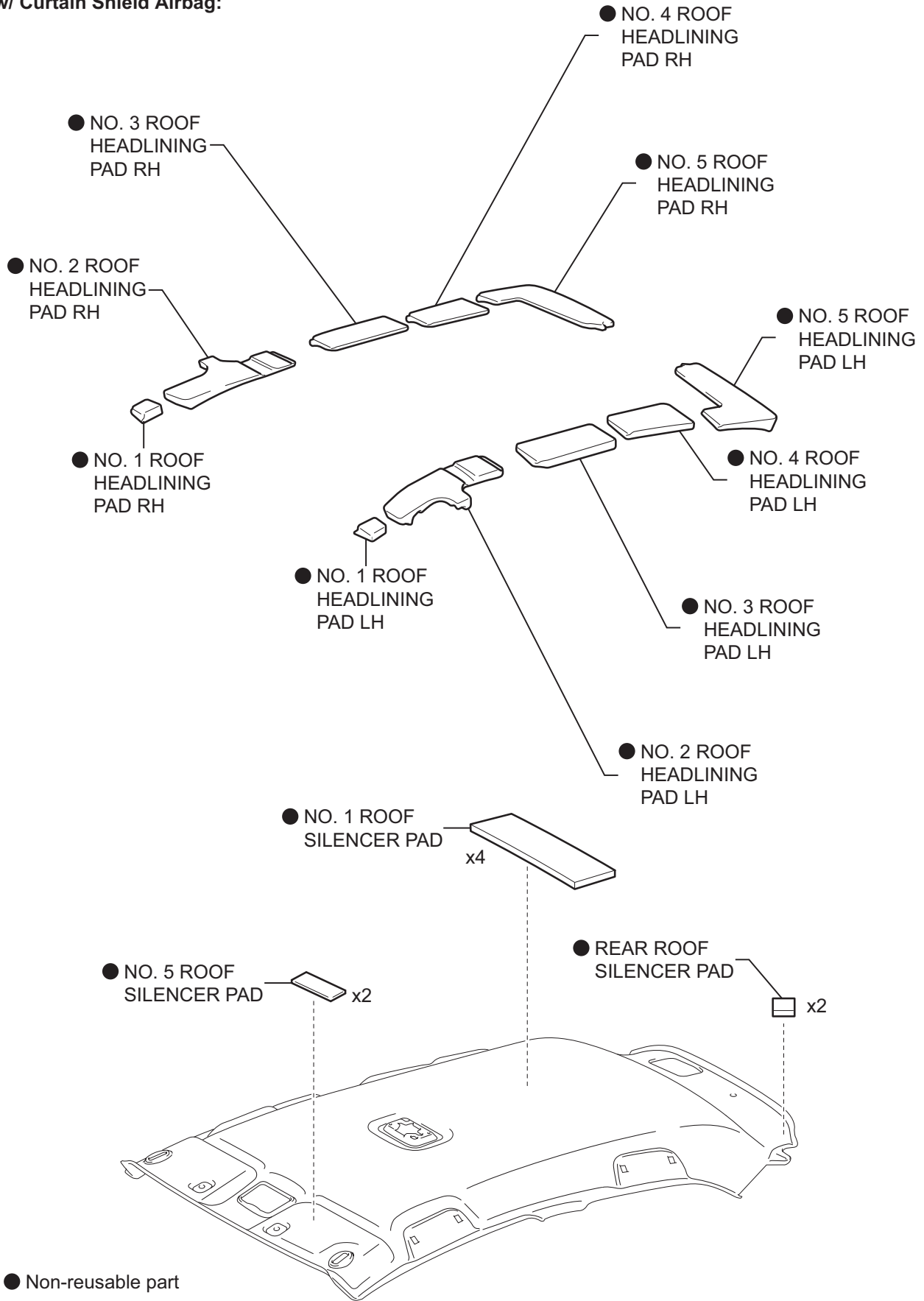
VISOR HOLDER RH

VISOR HOLDER LH

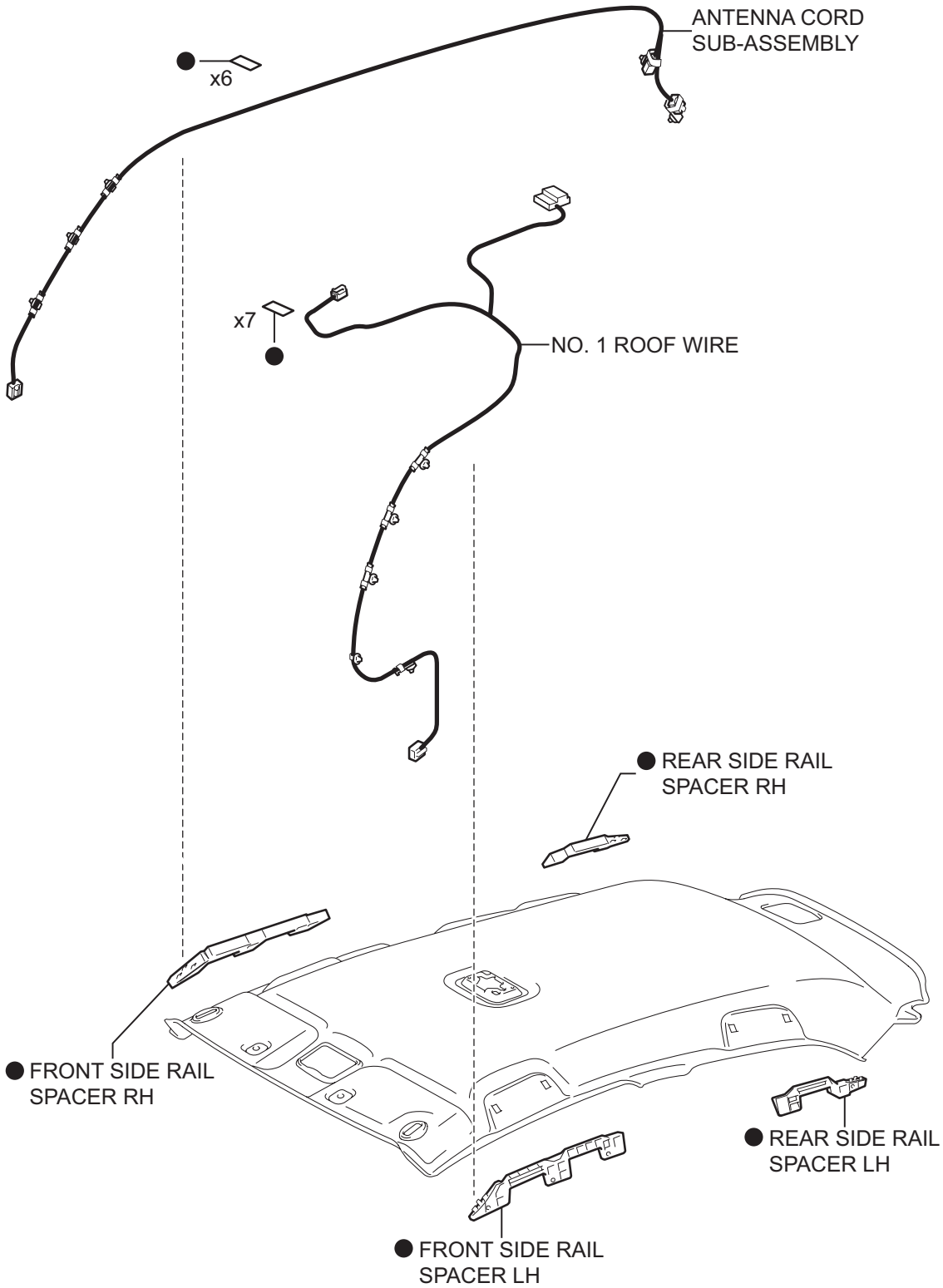
VISOR ASSEMBLY LH

IR

w/ Curtain Shield Airbag:

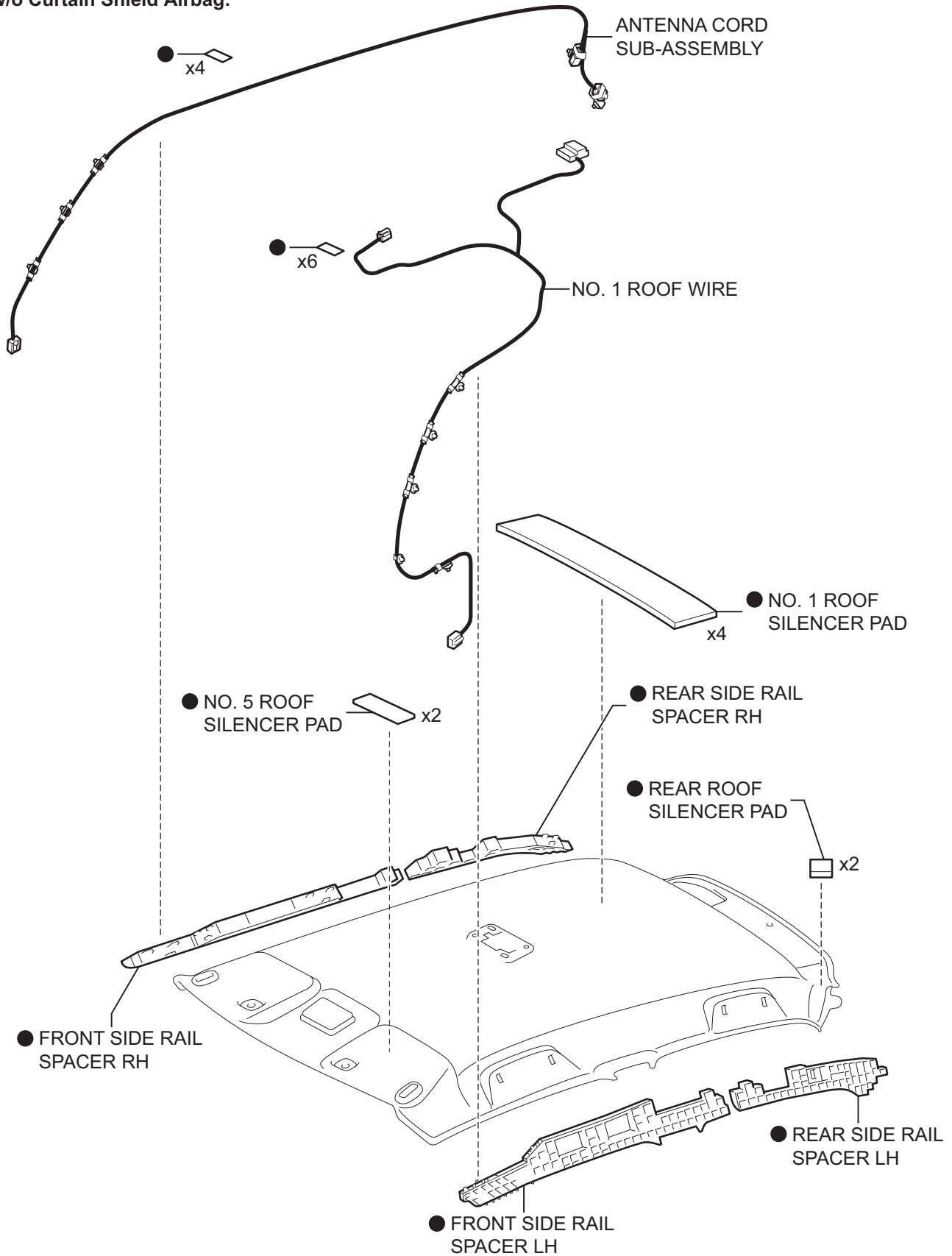


w/ Curtain Shield Airbag:



● Non-reusable part

w/o Curtain Shield Airbag:



● Non-reusable part

IR

REMOVAL

CAUTION:

Some of these service operations affect the SRS airbag system. Read the precautionary notices concerning the SRS airbag system before servicing (See page [RS-1](#)).

NOTICE:

Always use "Torx" socket wrench E10 when removing the rear seat.

1. **DISCONNECT CABLE FROM NEGATIVE BATTERY TERMINAL**

CAUTION:

Wait for at least 90 seconds after disconnecting the cable to prevent the airbag from working.

2. **REMOVE PACKAGE TRAY TRIM PANEL ASSEMBLY** (See page [IR-48](#))

3. **REMOVE DECK BOARD SUB-ASSEMBLY** (See page [IR-48](#))

4. **REMOVE DECK FLOOR BOX RH** (See page [IR-48](#))

5. **REMOVE DECK FLOOR BOX LH** (See page [IR-48](#))

6. **REMOVE NO. 1 REAR SEAT LEG COVER** (for 60/40 Split Seat Type)

(a) for RH Side:

(1) Remove the No. 1 rear seat leg cover (See page [SE-89](#)).

(b) for LH Side:

(1) Remove the No. 1 rear seat leg cover (See page [SE-70](#)).

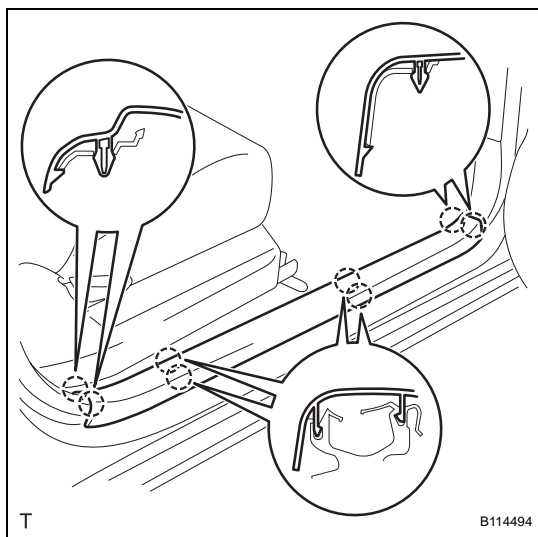
7. **REMOVE NO. 2 REAR SEAT LEG COVER** (for 60/40 Split Seat Type) (See page [SE-70](#))

8. **REMOVE REAR SEAT ASSEMBLY RH** (for 60/40 Split Seat Type) (See page [SE-89](#))

9. **REMOVE REAR SEAT ASSEMBLY LH** (for 60/40 Split Seat Type) (See page [SE-71](#))

10. **REMOVE REAR SEAT CUSHION COVER PAD SUB-ASSEMBLY** (for Hold Down Seat Type) (See page [SE-114](#))

11. **REMOVE REAR SEATBACK ASSEMBLY** (for Hold Down Seat Type) (See page [SE-115](#))



12. REMOVE FRONT DOOR SCUFF PLATE RH

(a) Disengage the 8 claws and remove the front door scuff plate.

13. REMOVE FRONT DOOR SCUFF PLATE LH

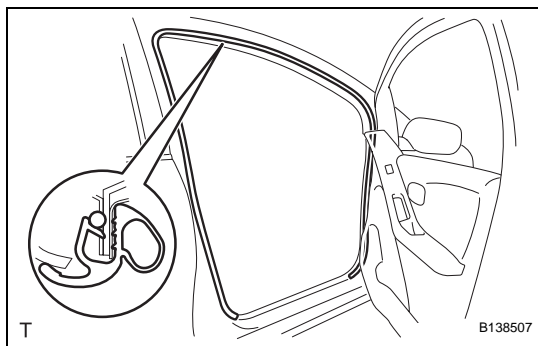
HINT:
Use the same procedure as for the RH side.

14. REMOVE INSTRUMENT PANEL UNDER COVER SUB-ASSEMBLY RH (See page IR-50)

15. REMOVE INSTRUMENT PANEL UNDER COVER SUB-ASSEMBLY LH (See page IR-50)

16. REMOVE COWL SIDE TRIM BOARD RH (See page IR-50)

17. REMOVE COWL SIDE TRIM BOARD LH (See page IR-50)

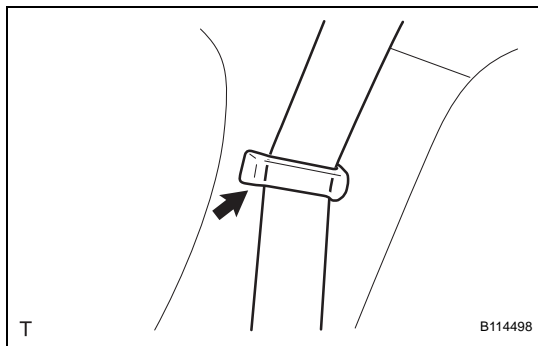


18. REMOVE FRONT DOOR OPENING TRIM WEATHERSTRIP RH

(a) Remove the front door opening trim weatherstrip.

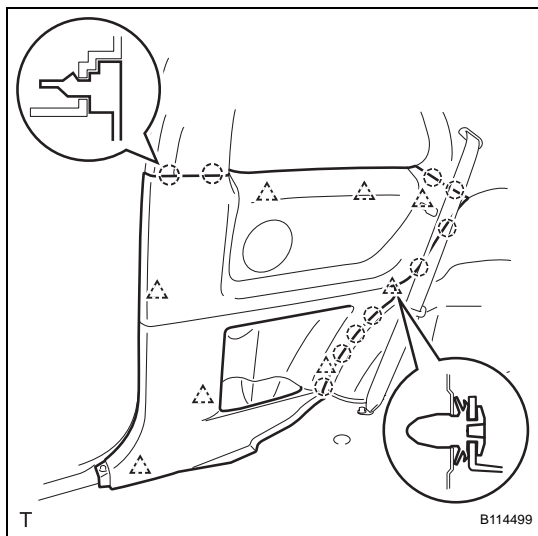
19. REMOVE FRONT DOOR OPENING TRIM WEATHERSTRIP LH

HINT:
Use the same procedure as for the RH side.



20. REMOVE FRONT QUARTER TRIM PANEL ASSEMBLY RH

(a) Remove the belt of the rear seat outer belt from the rear seat shoulder belt hanger.

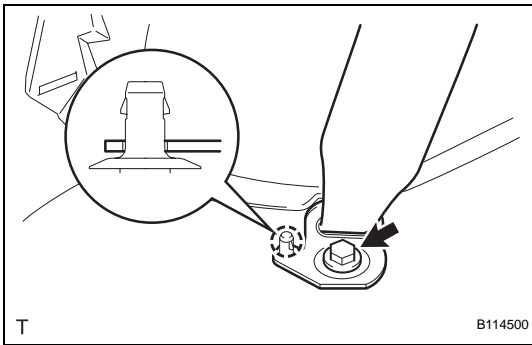


(b) Disengage the 8 clips, the retainer and the 10 claws and remove the front quarter trim panel.

21. REMOVE FRONT QUARTER TRIM PANEL ASSEMBLY LH

HINT:
Use the same procedure as for the RH side.

22. REMOVE REAR DECK TRIM COVER (See page IR-49)

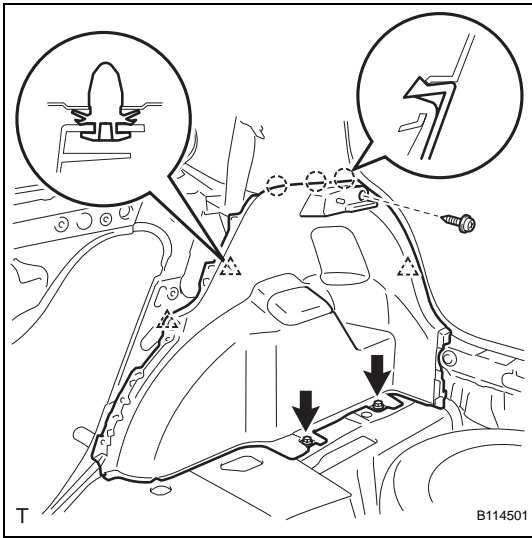
**23. REMOVE REAR SEAT OUTER BELT ASSEMBLY RH**

- (a) Remove the bolt.
- (b) Disengage the clip and remove the anchor plate.

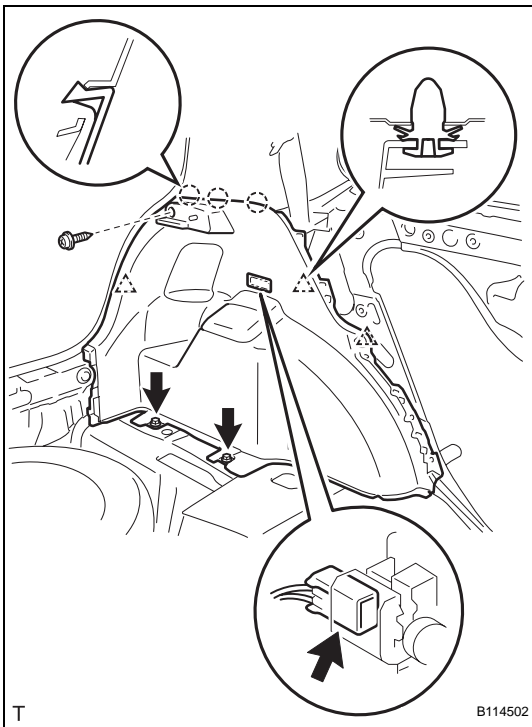
24. REMOVE REAR SEAT OUTER BELT ASSEMBLY LH

HINT:

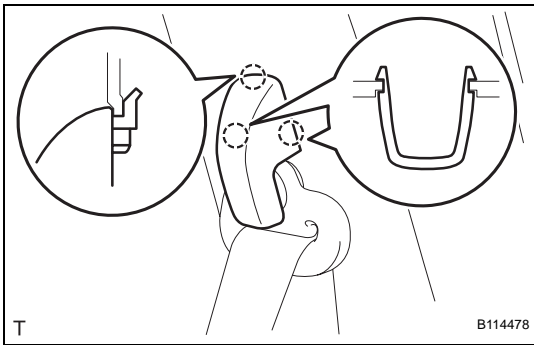
Use the same procedure as for the RH side.

**25. REMOVE DECK TRIM SIDE PANEL ASSEMBLY RH**

- (a) Remove the 3 screws.
- (b) Disengage the 3 clips and the 3 claws and remove the deck trim side panel.

**26. REMOVE DECK TRIM SIDE PANEL ASSEMBLY LH**

- (a) Remove the 3 screws.
- (b) Disengage the 3 clips and 3 claws.
- (c) Disconnect the deck side room light connector and remove the deck trim side panel.

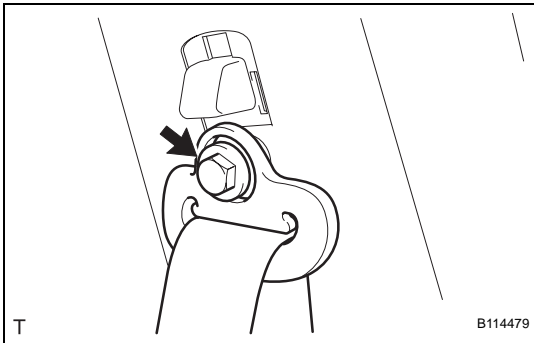


27. REMOVE SEAT BELT ANCHOR COVER CAP

HINT:

Use the same procedure for both sides.

- (a) Disengage the 3 claws and remove the seat belt anchor cover cap.



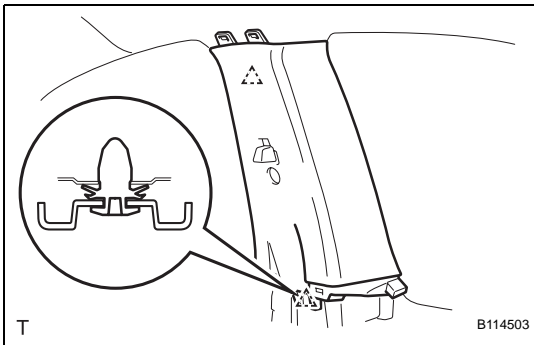
28. REMOVE FRONT SEAT OUTER BELT ASSEMBLY RH

- (a) Remove the bolt and the through anchor.

29. REMOVE FRONT SEAT OUTER BELT ASSEMBLY LH

HINT:

Use the same procedure as for the RH side.



30. REMOVE CENTER PILLAR UPPER GARNISH RH

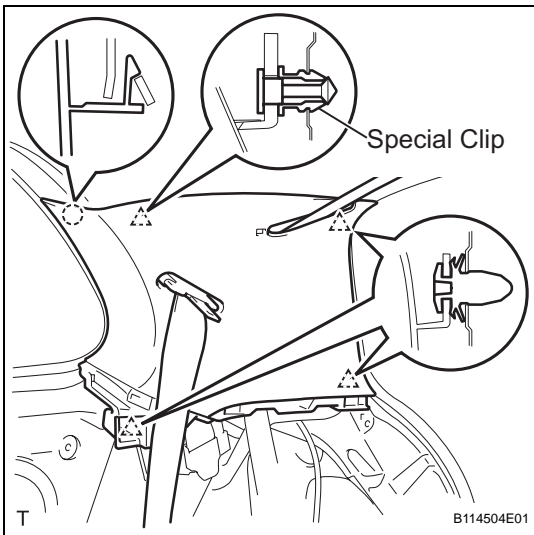
- (a) Disengage the 2 clips and remove the center pillar upper garnish.

31. REMOVE CENTER PILLAR UPPER GARNISH LH

HINT:

Use the same procedure as for the RH side.

32. REMOVE REAR CENTER SEAT OUTER BELT ASSEMBLY (See page IR-52)



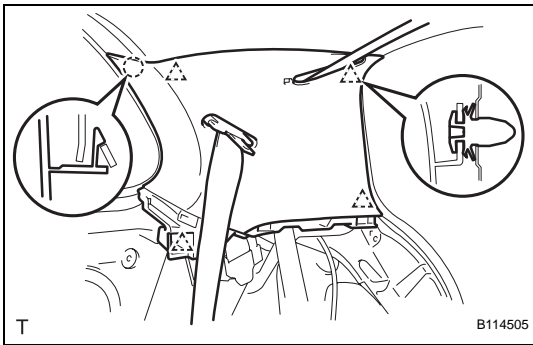
33. REMOVE ROOF SIDE INNER GARNISH RH

- (a) w/ Curtain Shield Airbag:

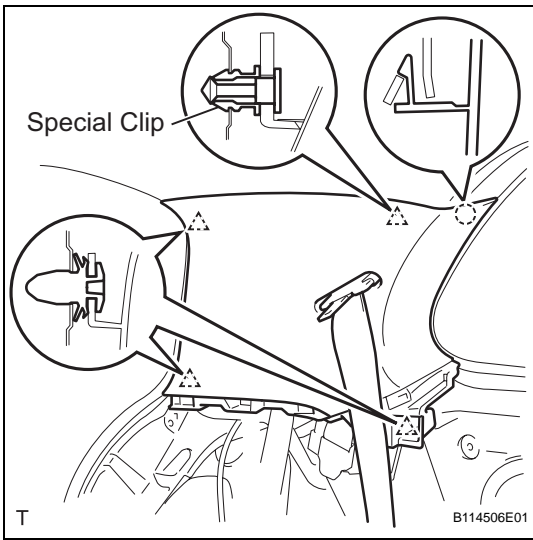
NOTICE:

Replace the special clip with a new one when the roof side inner garnish is removed.

- (1) Disengage the 4 clips and the claw.
- (2) Pass the rear seat outer belt and the rear center seat outer belt through the slit in the roof side inner garnish and remove the roof side inner garnish.

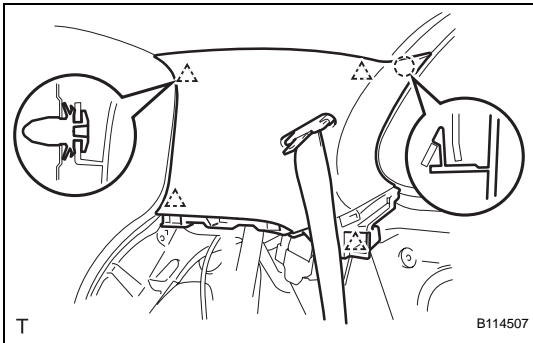


- (b) w/o Curtain Shield Airbag:
- (1) Disengage the 4 clips and the claw.
 - (2) Pass the rear seat outer belt and the rear center seat outer belt through the slit in the roof side inner garnish and remove the roof side inner garnish.

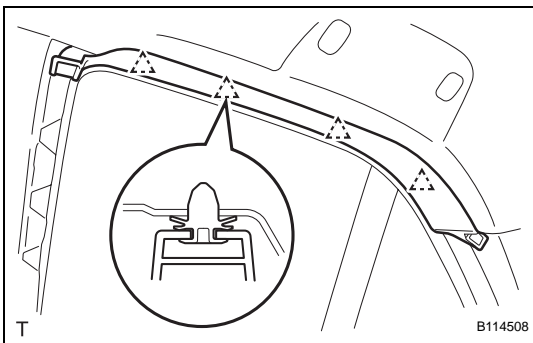


34. REMOVE ROOF SIDE INNER GARNISH LH

- (a) w/ Curtain Shield Airbag:
- NOTICE:**
Replace the special clip with a new one when the roof side inner garnish is removed.
- (1) Disengage the 4 clips and the claw.
 - (2) Pass the rear seat outer belt through the slit in the roof side inner garnish and remove the roof side inner garnish.



- (b) w/o Curtain Shield Airbag:
- (1) Disengage the 4 clips and the claw.
 - (2) Pass the rear seat outer belt through the slit in the roof side inner garnish and remove the roof side inner garnish.



35. REMOVE REAR ROOF SIDE RAIL GARNISH RH

- (a) Disengage the 4 clips and remove the rear roof side rail garnish.

36. REMOVE REAR ROOF SIDE RAIL GARNISH LH

- HINT:**
Use the same procedure as for the RH side.

37. REMOVE SEAT BELT ANCHOR COVER (See page [SB-159](#))

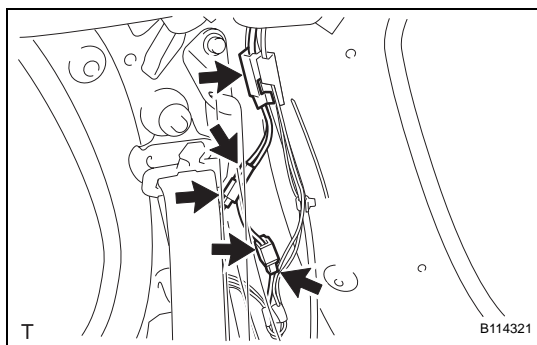
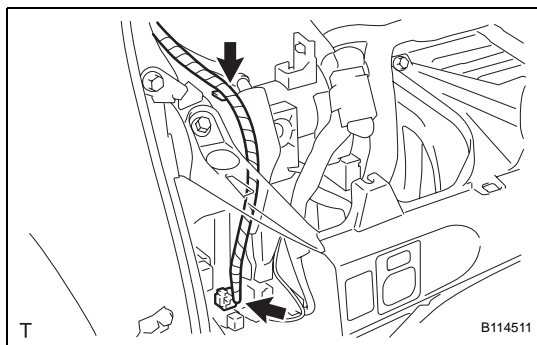
38. REMOVE ROOF HEADLINING SERVICE HOLE COVER (w/o Curtain Shield Airbag) (See page [IR-55](#))

39. REMOVE ASSIST GRIP COVER (See page [IR-55](#))

40. REMOVE ASSIST GRIP SUB-ASSEMBLY (See page [IR-56](#))

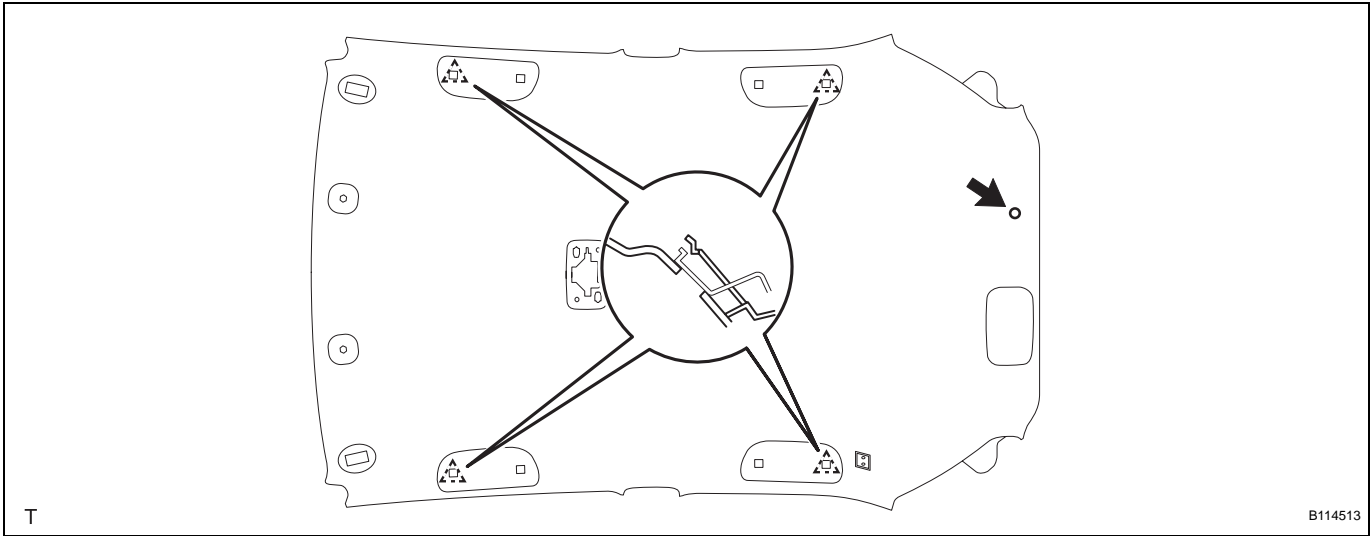
41. REMOVE VISOR ASSEMBLY RH (See page IR-56)
42. REMOVE VISOR ASSEMBLY LH (See page IR-56)
43. REMOVE VISOR HOLDER RH (See page IR-56)
44. REMOVE VISOR HOLDER LH (See page IR-56)
45. REMOVE ROOM LIGHT ASSEMBLY (See page IR-57)
46. REMOVE MAP LIGHT ASSEMBLY (See page IR-58)
47. REMOVE FRONT PILLAR GARNISH RH (See page IR-58)
48. REMOVE FRONT PILLAR GARNISH LH (See page IR-59)
49. REMOVE INSTRUMENT PANEL FINISH PANEL END RH (See page ME-145)
50. REMOVE INSTRUMENT PANEL FINISH PANEL END LH (See page ME-145)
51. REMOVE INSTRUMENT CLUSTER FINISH PANEL (See page ME-145)
52. REMOVE COMBINATION METER ASSEMBLY (See page ME-146)
53. REMOVE GLOVE COMPARTMENT DOOR ASSEMBLY (See page IP-20)
54. REMOVE NO. 1 SWITCH HOLE BASE (See page IP-20)
55. REMOVE UPPER INSTRUMENT PANEL SUB-ASSEMBLY (See page IP-21)
56. REMOVE INSTRUMENT PANEL BOX (See page IP-70)
57. REMOVE ROOF HEADLINING ASSEMBLY

- (a) Using a screwdriver, remove the wiring harness clamp.
- (b) Disconnect the connector.

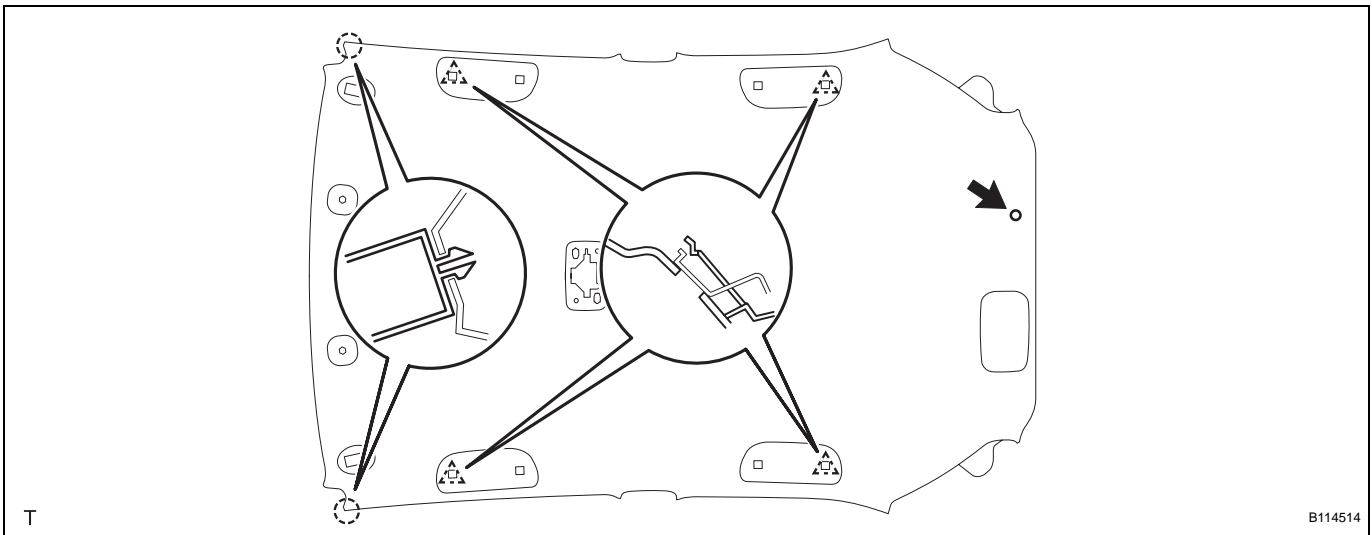


- (c) Remove the antenna cord from the antenna cord clamp.
- (d) Disconnect the 2 connectors.
- (e) Using a clip remover, remove the 2 connectors.
- (f) w/ Curtain Shield Airbag:
 - (1) Using a clip remover, remove the clip.

(2) Disengage the 4 hooks.

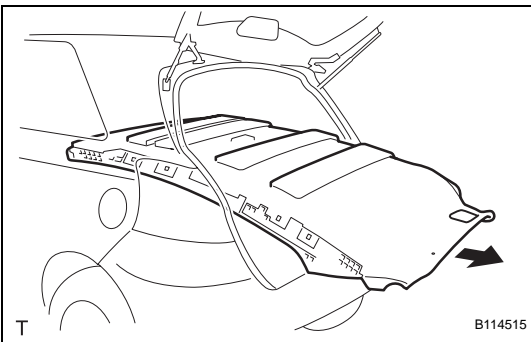


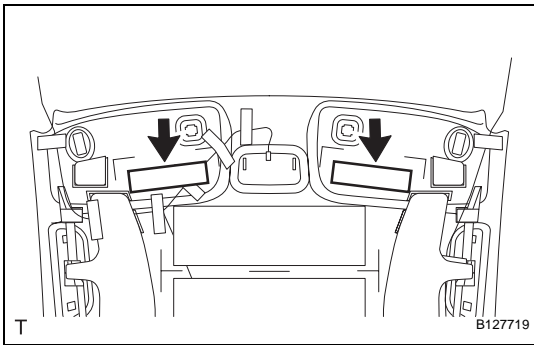
- (g) w/o Curtain Shield Airbag:
 (1) Using a clip remover, remove the clip.
 (2) Disengage the 2 claws and the 4 hooks.



IR

(h) Remove the roof headlining from the back door.





58. REMOVE NO. 5 ROOF SILENCER PAD

HINT:

Only remove the No. 5 roof silencer pad when the No. 1 roof wire and the roof headlining are replaced.

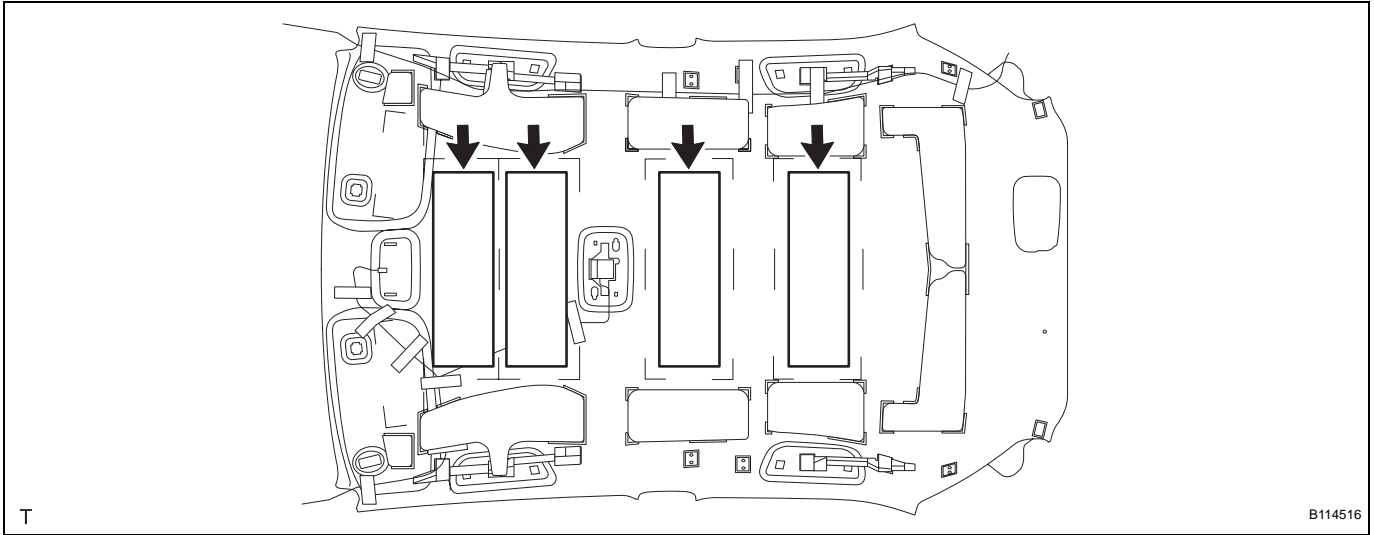
- (a) Remove the 2 No. 5 roof silencer pads.

59. REMOVE NO. 1 ROOF SILENCER PAD

HINT:

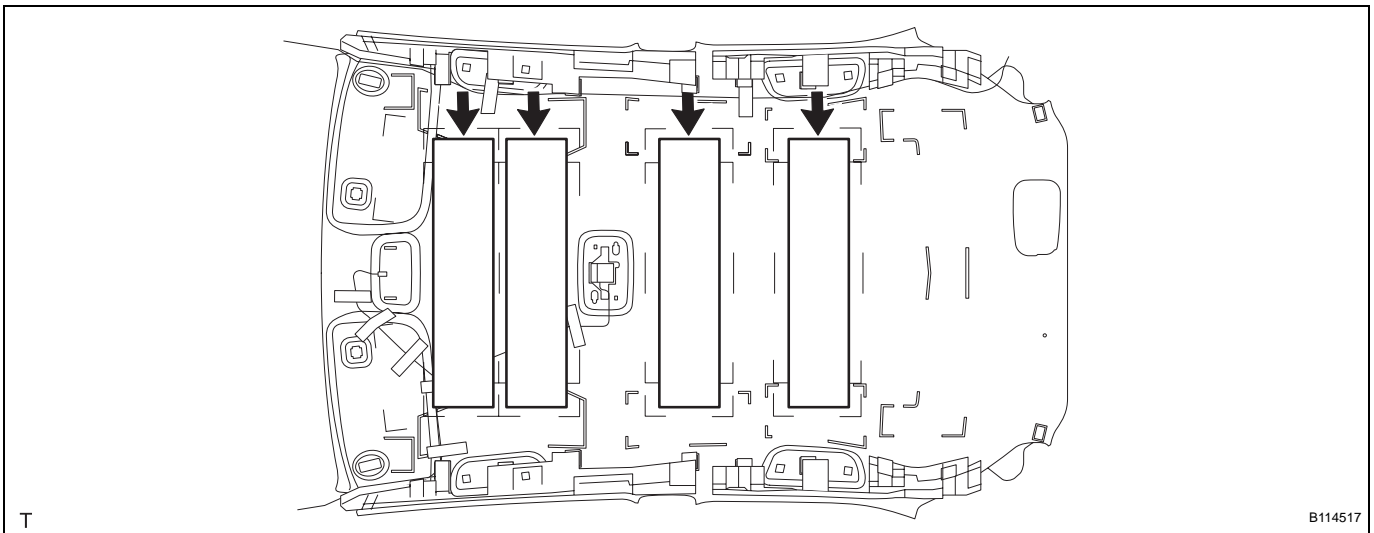
Only remove the No. 1 roof silencer pad when the No. 1 roof wire and the roof headlining are replaced.

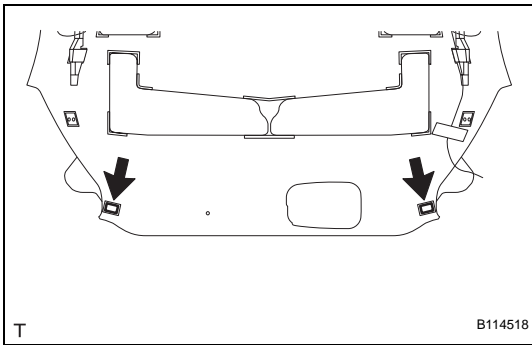
- (a) w/ Curtain Shield Airbag:
 - (1) Remove the 4 No. 1 roof silencer pads.



- (b) w/o Curtain Shield Airbag:

- (1) Remove the 4 No. 1 roof silencer pads.

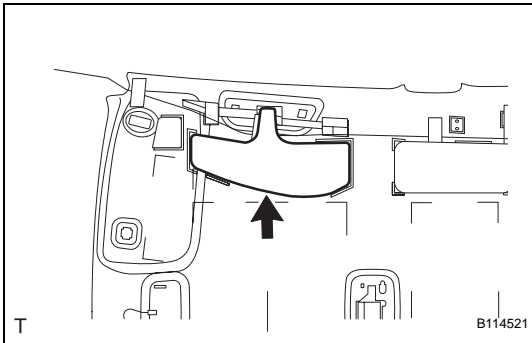


**60. REMOVE REAR ROOF SILENCER PAD**

HINT:

Only remove the rear roof silencer pad when the roof headlining is replaced.

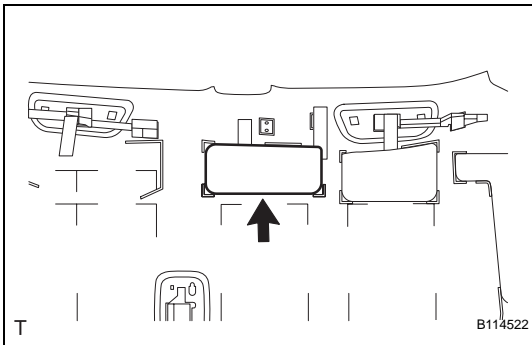
- (a) Remove the 2 rear roof silencer pads.

**61. REMOVE NO. 2 ROOF HEADLINING PAD RH (w/ Curtain Shield Airbag)**

HINT:

Only remove the No. 2 roof headlining pad when the roof headlining is replaced.

- (a) Remove the No. 2 roof headlining pad.

**62. REMOVE NO. 2 ROOF HEADLINING PAD LH (w/ Curtain Shield Airbag)**

HINT:

Only remove the No. 3 roof headlining pad when the roof headlining is replaced.

- (a) Remove the No. 3 roof headlining pad.

63. REMOVE NO. 3 ROOF HEADLINING PAD RH (w/ Curtain Shield Airbag)

HINT:

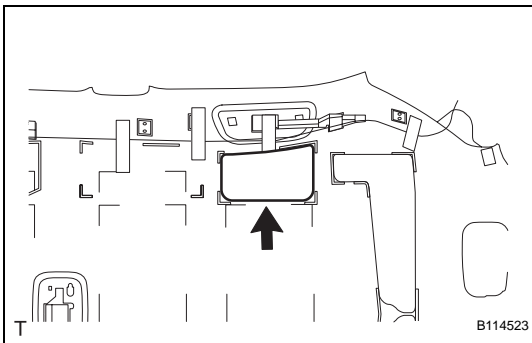
Use the same procedure as for the RH side.

64. REMOVE NO. 3 ROOF HEADLINING PAD LH (w/ Curtain Shield Airbag)

HINT:

Only remove the No. 4 roof headlining pad when the roof headlining is replaced.

- (a) Remove the No. 4 roof headlining pad.

**65. REMOVE NO. 4 ROOF HEADLINING PAD RH (w/ Curtain Shield Airbag)**

HINT:

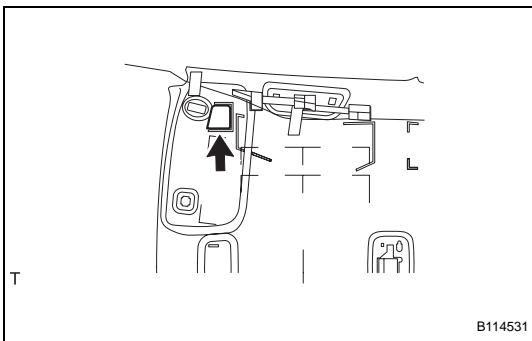
Use the same procedure as for the RH side.

66. REMOVE NO. 4 ROOF HEADLINING PAD LH (w/ Curtain Shield Airbag)

HINT:

Only remove the No. 1 roof headlining pad when the roof headlining is replaced.

- (a) Remove the No. 1 roof headlining pad.

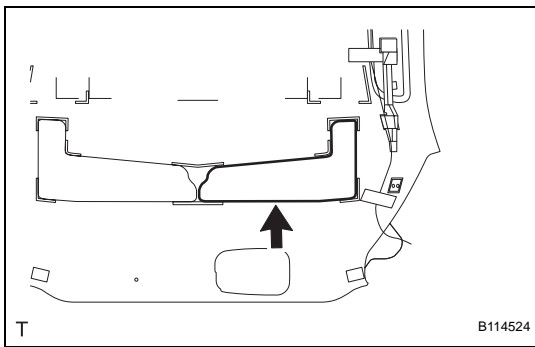
**67. REMOVE NO. 1 ROOF HEADLINING PAD RH (w/ Curtain Shield Airbag)**

HINT:

Use the same procedure as for the RH side.

68. REMOVE NO. 1 ROOF HEADLINING PAD LH (w/ Curtain Shield Airbag)

HINT:



69. REMOVE NO. 5 ROOF HEADLINING PAD RH (w/ Curtain Shield Airbag)

HINT:

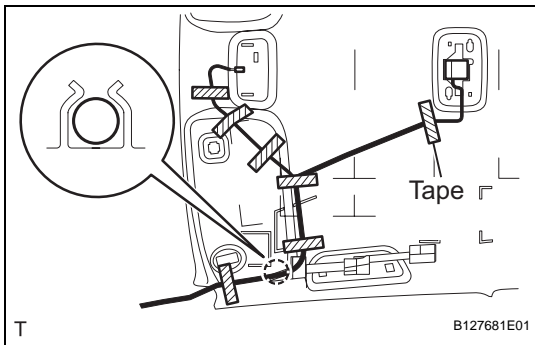
Only remove the No. 5 roof headlining pad when the roof headlining is replaced.

- (a) Remove the No. 5 roof headlining pad.

70. REMOVE NO. 5 ROOF HEADLINING PAD LH (w/ Curtain Shield Airbag)

HINT:

Use the same procedure as for the RH side.

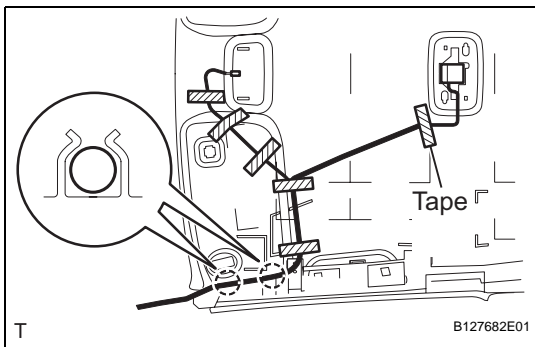


71. REMOVE NO. 1 ROOF WIRE

HINT:

Only remove the No. 1 roof wire when the roof headlining is replaced.

- (a) w/ Curtain Shield Airbag:
 - (1) Remove the 7 pieces of tape.
 - (2) Remove the No. 1 roof wire from the claw of the side rail spacer.
- (b) w/o Curtain Shield Airbag:
 - (1) Remove the 6 pieces of tape.



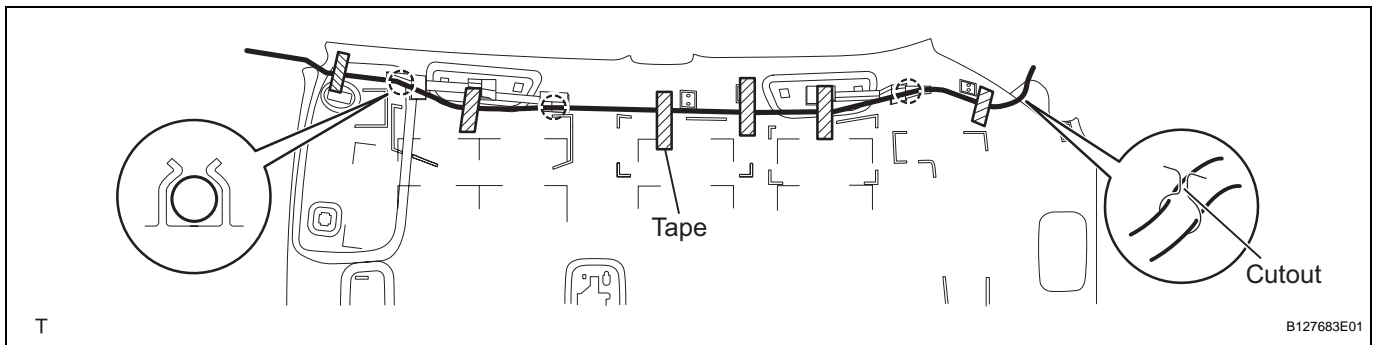
- (2) Remove the No. 1 roof wire from the 2 claws of the side rail spacer.

72. REMOVE ANTENNA CORD SUB-ASSEMBLY

HINT:

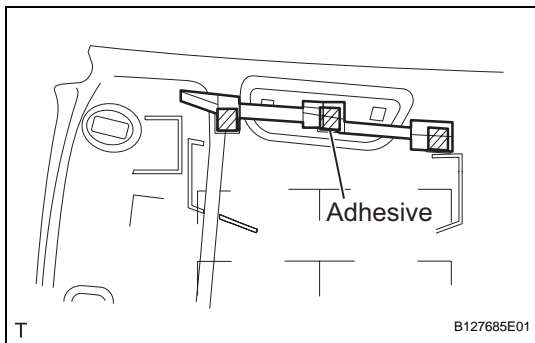
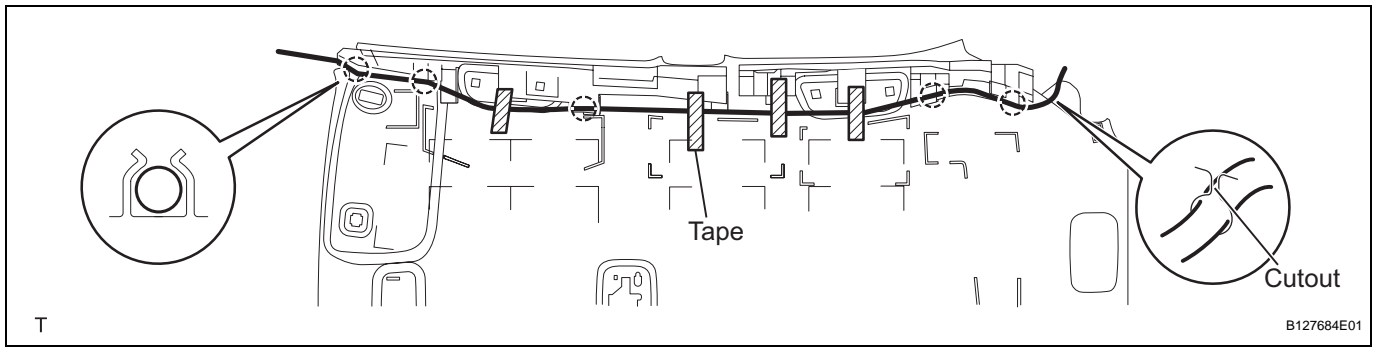
Only remove the antenna cord when the roof headlining is replaced.

- (a) w/ Curtain Shield Airbag:
 - (1) Remove the 6 pieces of tape.
 - (2) Remove the antenna cord from the cutout of the roof headlining.
 - (3) Remove the antenna cord from the 3 claws of the side rail spacer.



- (b) w/o Curtain Shield Airbag:
 - (1) Remove the 5 pieces of tape.
 - (2) Remove the antenna cord from the cutout of the roof headlining.

- (3) Remove the antenna cord from the 5 claws of the side rail spacer.

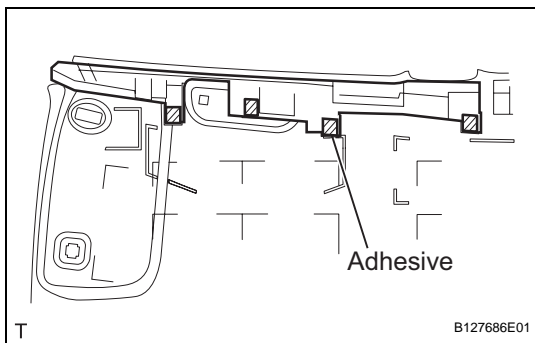


73. REMOVE FRONT SIDE RAIL SPACER RH

HINT:

Only remove the front side rail spacer when the roof headlining is replaced.

- (a) w/ Curtain Shield Airbag:
 - (1) Remove the 3 adhesion portions and the front side rail spacer.



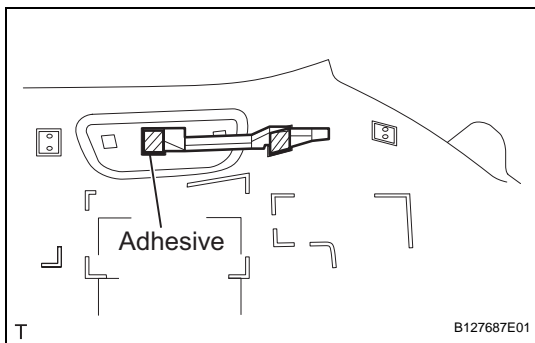
- (b) w/o Curtain Shield Airbag:

- (1) Remove the 4 adhesion portions and the front side rail spacer.

74. REMOVE FRONT SIDE RAIL SPACER LH

HINT:

Use the same procedure as for the RH side.

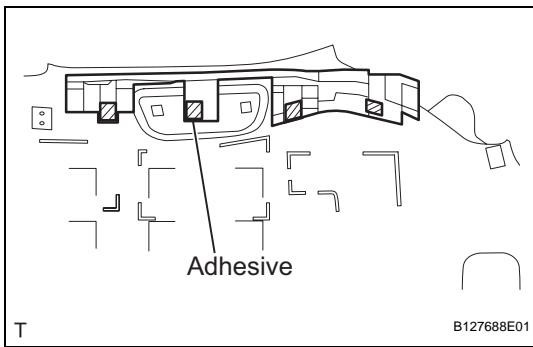


75. REMOVE REAR SIDE RAIL SPACER RH

HINT:

Only remove the rear side rail spacer when the roof headlining is replaced.

- (a) w/ Curtain Shield Airbag:
 - (1) Remove the 2 adhesion portions and the rear side rail spacer.



(b) w/o Curtain Shield Airbag:

- (1) Remove the 4 adhesion portions and the rear side rail spacer.

76. REMOVE REAR SIDE RAIL SPACER LH

HINT:

Use the same procedure as for the RH side.

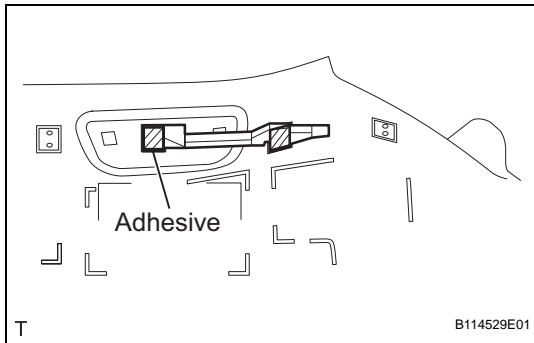
INSTALLATION

CAUTION:

Some of these service operations affect the SRS airbag system. Read the precautionary notices concerning the SRS airbag system before servicing (See page RS-1).

NOTICE:

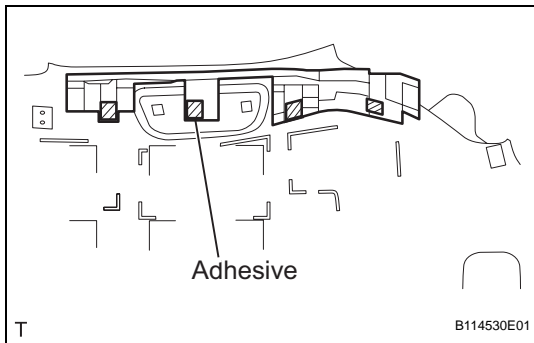
Always use "Torx" socket wrench E10 when installing the rear seat.



1. INSTALL REAR SIDE RAIL SPACER RH

(a) w/ Curtain Shield Airbag:

- (1) Align a new rear side rail spacer with the markings of the roof headlining and install it onto the roof headlining.



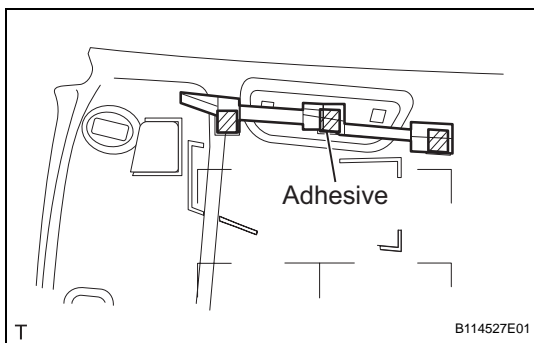
(b) w/o Curtain Shield Airbag

- (1) Align a new rear side rail spacer with the markings of the roof headlining and install it onto the roof headlining.

2. INSTALL REAR SIDE RAIL SPACER LH

HINT:

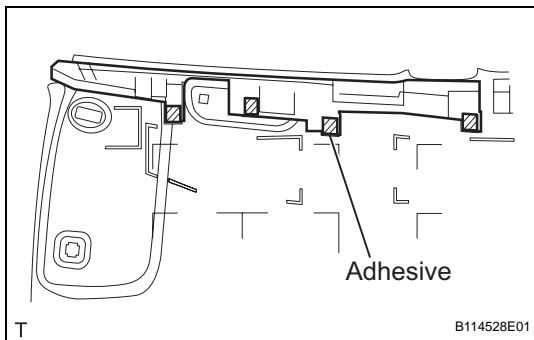
Use the same procedure as for the RH side.



3. INSTALL FRONT SIDE RAIL SPACER RH

(a) w/ Curtain Shield Airbag:

- (1) Align a new front side rail spacer with the markings of the roof headlining and install it onto the roof headlining.



(b) w/o Curtain Shield Airbag

- (1) Align a new front side rail spacer with the markings of the roof headlining and install it onto the roof headlining.

4. INSTALL FRONT SIDE RAIL SPACER LH

HINT:

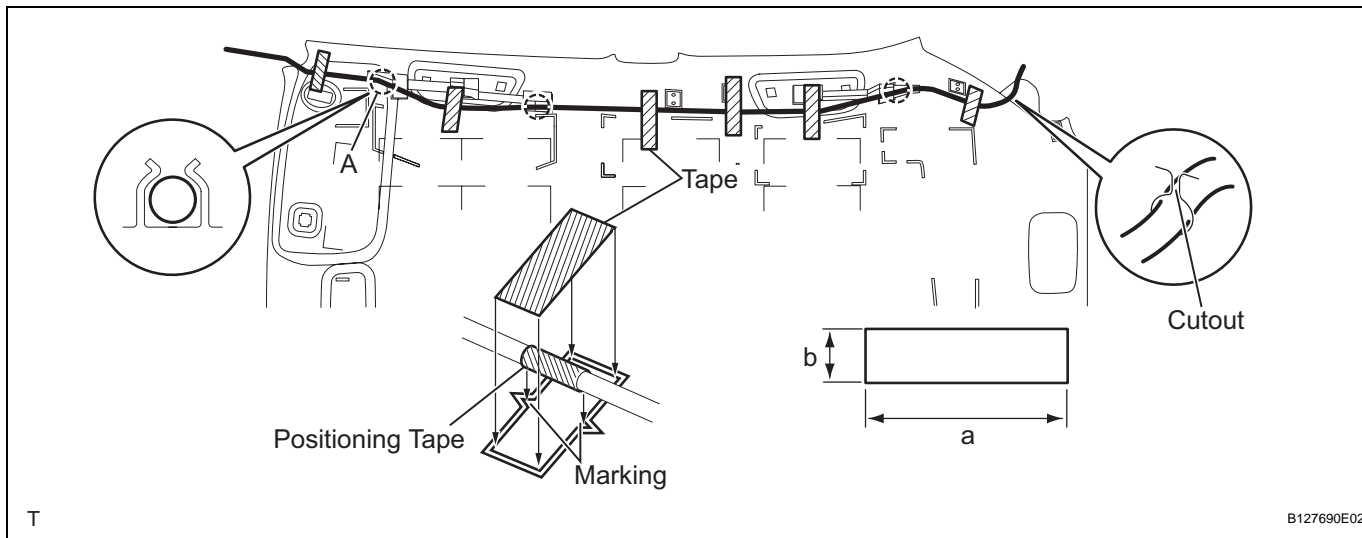
Use the same procedure as for the RH side.

5. INSTALL ANTENNA CORD SUB-ASSEMBLY

(a) w/ Curtain Shield Airbag:

- (1) Install the part of the antenna cord marked with red positioning tape into claw A of the front side rail spacer.

- (2) Install the antenna cord positioning tapes into the 2 claws of the front and rear side rail spacers.
- (3) Insert the antenna cord positioning tape into the cutout of the roof headlining.
- (4) Align the antenna cord positioning tapes with the markings of the roof headlining.
- (5) Install the antenna cord onto the roof headlining with 6 new pieces of tape.



Tape size:

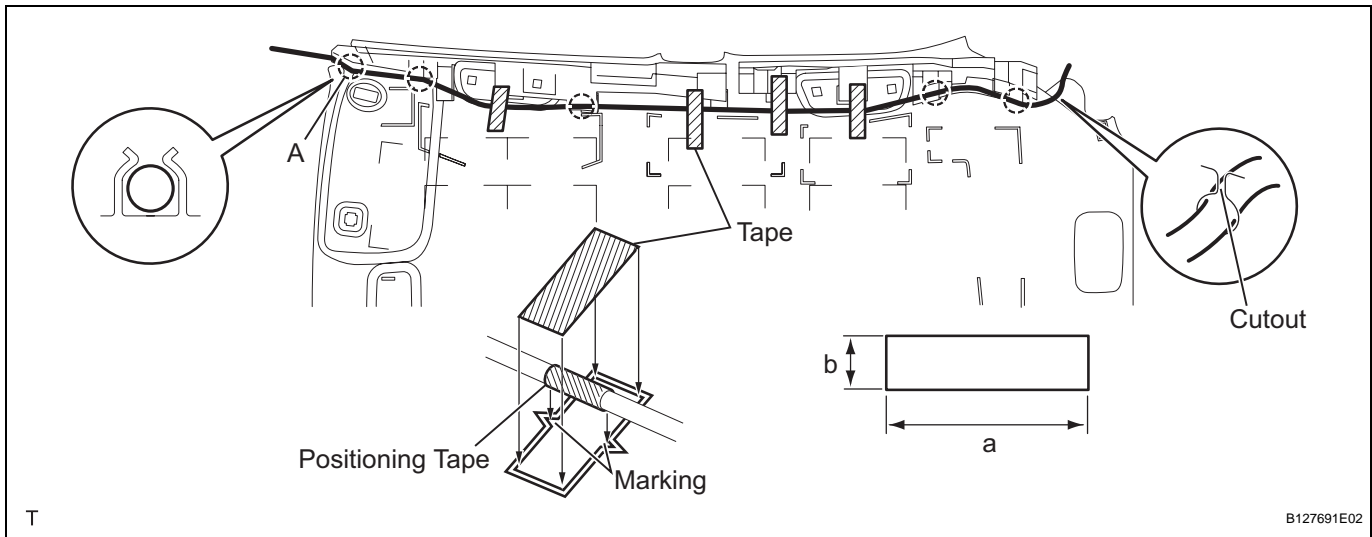
Mark	Measurement
a	80 mm (3.15 in.)
b	20 mm (0.787 in.)

NOTICE:

- **Apply the tape securely in place.**
- **Do not touch the adhesive surface when applying the tape to prevent adhesion failure.**

- (b) w/o Curtain Shield Airbag:
- (1) Install the part of the antenna cord marked with red positioning tape into claw A of the front side rail spacer.
 - (2) Install the antenna cord positioning tapes into the 4 claws of the front and rear side rail spacers.
 - (3) Insert the antenna cord positioning tape into the cutout of the roof headlining.
 - (4) Align the antenna cord positioning tapes with the markings of the roof headlining.

- (5) Install the antenna cord onto the roof headlining with 5 new pieces of tape.



Tape size:

Mark	Measurement
a	80 mm (3.15 in.)
b	20 mm (0.787 in.)

NOTICE:

- Apply the tape securely in place.
- Do not touch the adhesive surface when applying the tape to prevent adhesion failure.

6. INSTALL NO. 1 ROOF WIRE

- (a) w/ Curtain Shield Airbag:

- (1) Install the part of the No. 1 roof wire cord marked with red positioning tape into claw A of the front side rail spacer.
- (2) Align the No. 1 roof wire positioning tapes with the markings of the roof headlining.
- (3) Install the No. 1 roof wire onto the roof headlining with 8 new pieces of tape.

Tape size:

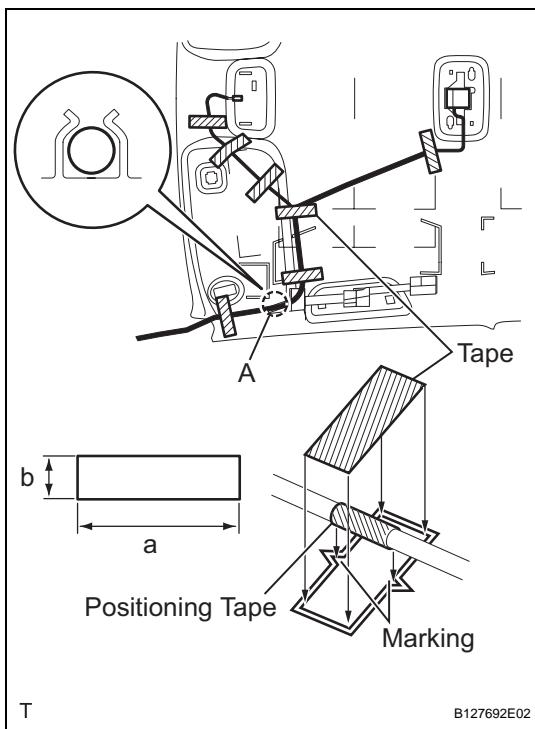
Mark	Measurement
a	80 mm (3.15 in.)
b	20 mm (0.787 in.)

NOTICE:

- Apply the tape securely in place.
- Do not touch the adhesive surface when applying the tape to prevent adhesion failure.

- (b) w/o Curtain Shield Airbag:

- (1) Install the part of the No. 1 roof wire cord marked with red positioning tape into claw A of the front side rail spacer.
- (2) Install the No. 1 roof wire positioning tape into the claw of the front rear side rail spacers.



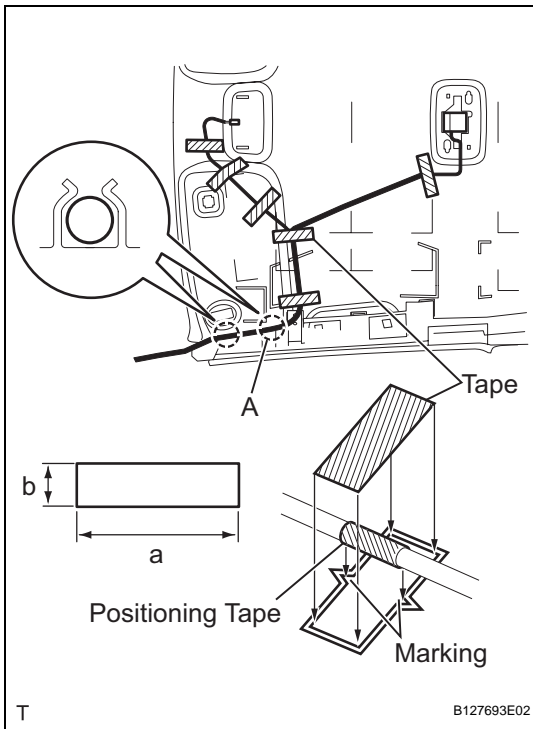
- (3) Align the No. 1 roof wire positioning tapes with the markings of the roof headlining.
- (4) Install the No. 1 roof wire onto the roof headlining with 7 new pieces of tape.

Tape size:

Mark	Measurement
a	80 mm (3.15 in.)
b	20 mm (0.787 in.)

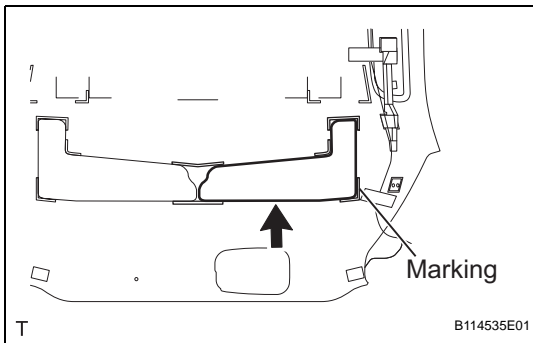
NOTICE:

- Apply the tape securely in place.
- Do not touch the adhesive surface when applying the tape to prevent adhesion failure.



7. INSTALL NO. 5 ROOF HEADLINING PAD RH (w/ Curtain Shield Airbag)

- (a) Align a new No. 5 roof headlining pad with the markings of the roof headlining and install it onto the roof headlining.



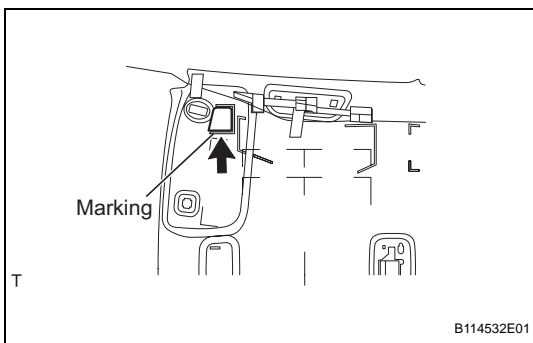
8. INSTALL NO. 5 ROOF HEADLINING PAD LH (w/ Curtain Shield Airbag)

HINT:

Use the same procedure as for the RH side.

9. INSTALL NO. 1 ROOF HEADLINING PAD RH (w/ Curtain Shield Airbag)

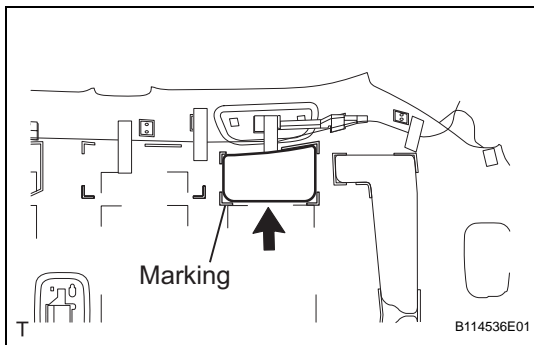
- (a) Align a new No. 1 roof headlining pad with the marking of the roof headlining and install it onto the roof headlining.



10. INSTALL NO. 1 ROOF HEADLINING PAD LH (w/ Curtain Shield Airbag)

HINT:

Use the same procedure as for the RH side.



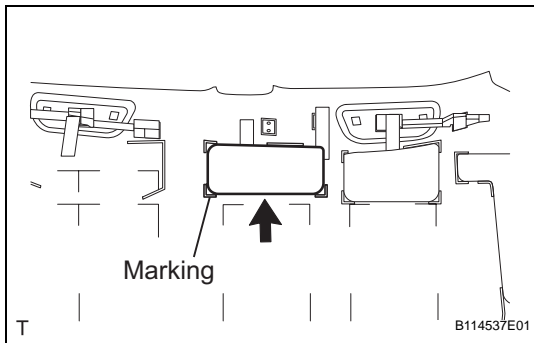
11. INSTALL NO. 4 ROOF HEADLINING PAD RH (w/ Curtain Shield Airbag)

- (a) Align a new No. 4 roof headlining pad with the markings of the roof headlining and install it onto the roof headlining.

12. INSTALL NO. 4 ROOF HEADLINING PAD LH (w/ Curtain Shield Airbag)

HINT:

Use the same procedure as for the RH side.



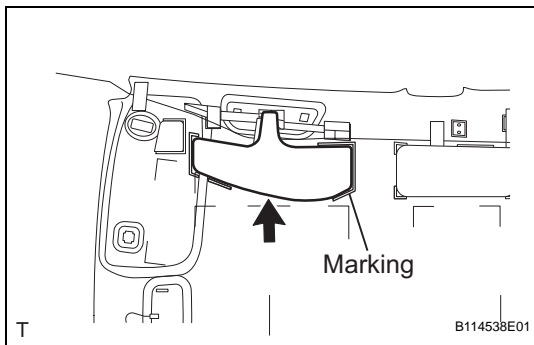
13. INSTALL NO. 3 ROOF HEADLINING PAD RH (w/ Curtain Shield Airbag)

- (a) Align a new No. 3 roof headlining pad with the markings of the roof headlining and install it onto the roof headlining.

14. INSTALL NO. 3 ROOF HEADLINING PAD LH (w/ Curtain Shield Airbag)

HINT:

Use the same procedure as for the RH side.



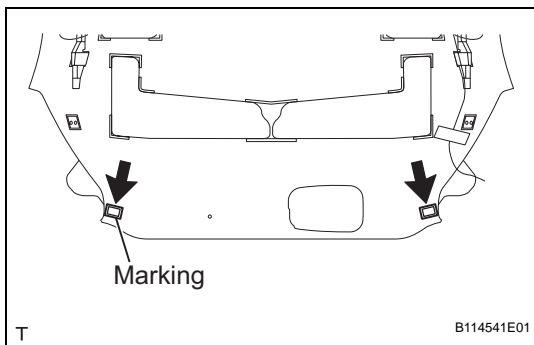
15. INSTALL NO. 2 ROOF HEADLINING PAD RH (w/ Curtain Shield Airbag)

- (a) Align a new No. 2 roof headlining pad with the markings of the roof headlining and install it onto the roof headlining.

16. INSTALL NO. 2 ROOF HEADLINING PAD LH (w/ Curtain Shield Airbag)

HINT:

Use the same procedure as for the RH side.



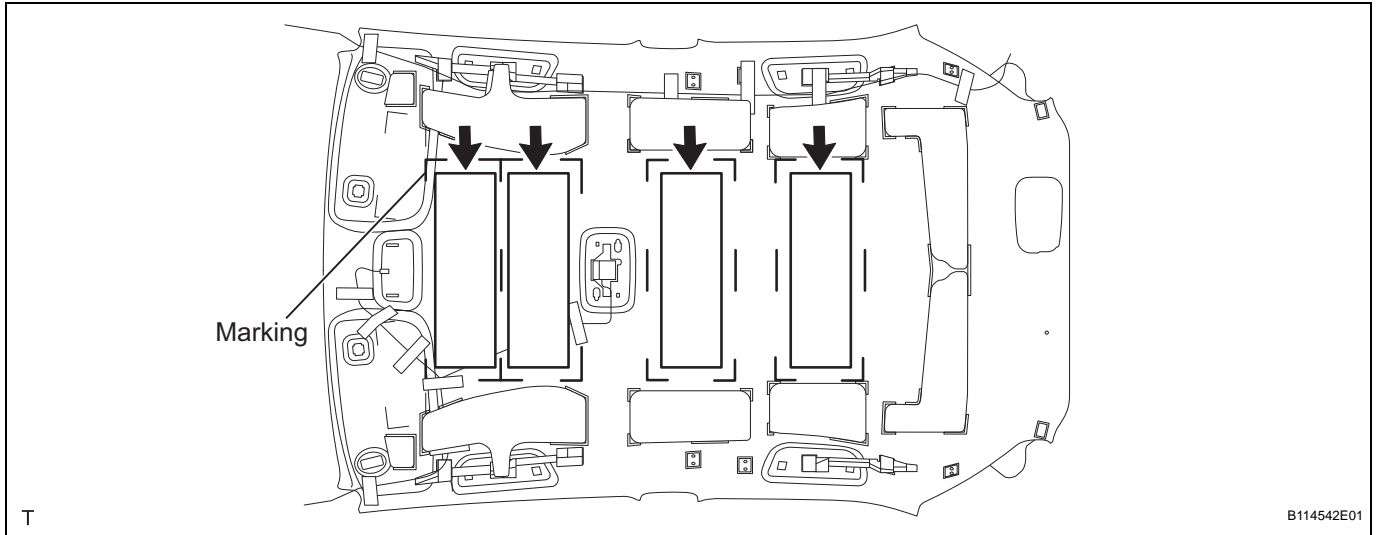
17. INSTALL REAR ROOF SILENCER PAD (w/ Curtain Shield Airbag)

- (a) Align 2 new rear roof silencer pads with the markings of the roof headlining and install them onto the roof headlining.

18. INSTALL NO. 1 ROOF SILENCER PAD

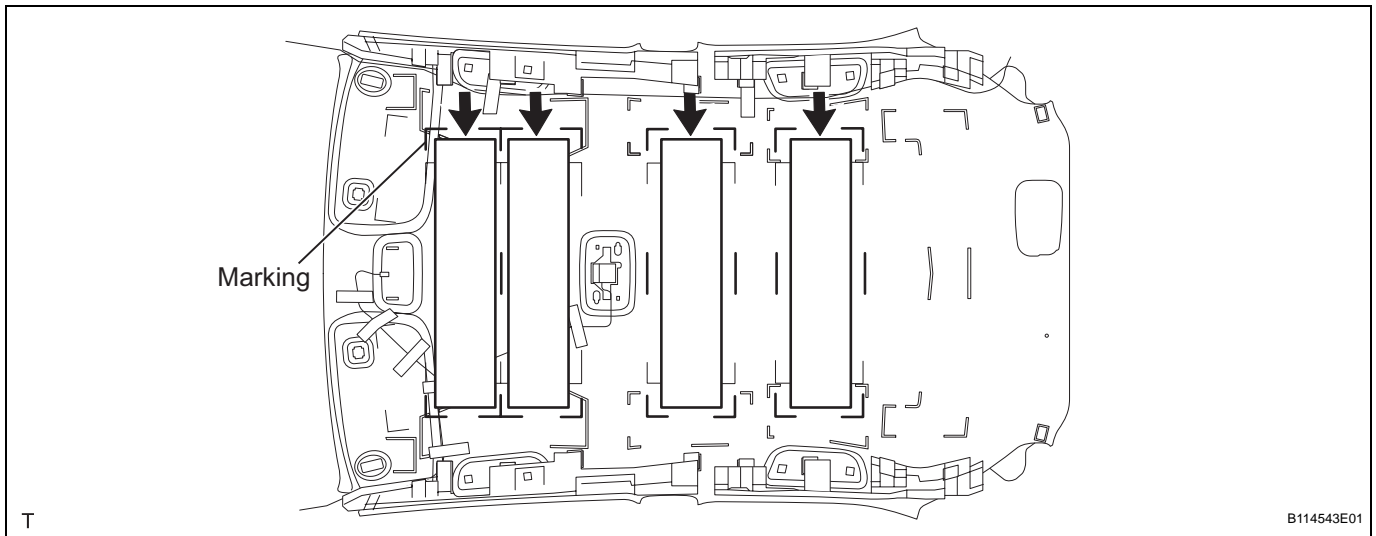
(a) w/ Curtain Shield Airbag:

- (1) Align 4 new No. 1 roof silencer pads with the markings of the roof headlining and install them onto the roof headlining.



(b) w/o Curtain Shield Airbag:

- (1) Align 4 new No. 1 roof silencer pads with the markings of the roof headlining and install them onto the roof headlining.

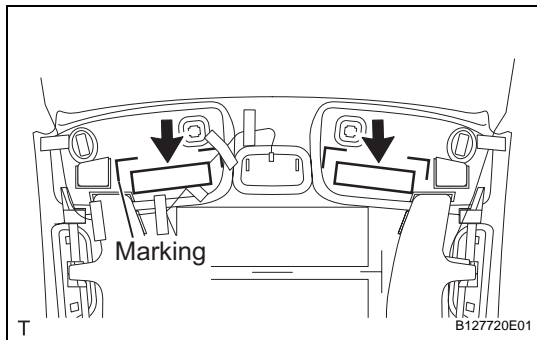


IR

19. INSTALL NO. 5 ROOF SILENCER PAD

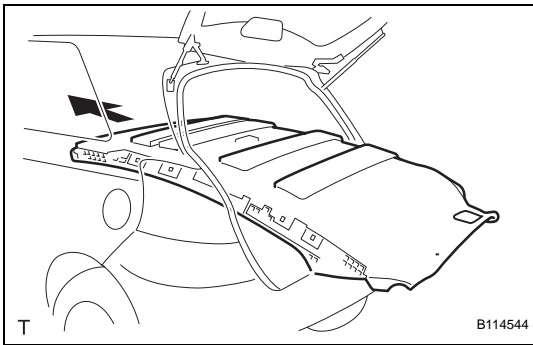
(a) Align 2 new No. 5 roof silencer pads with the

- (1) markings of the roof headlining and install them onto the roof headlining.



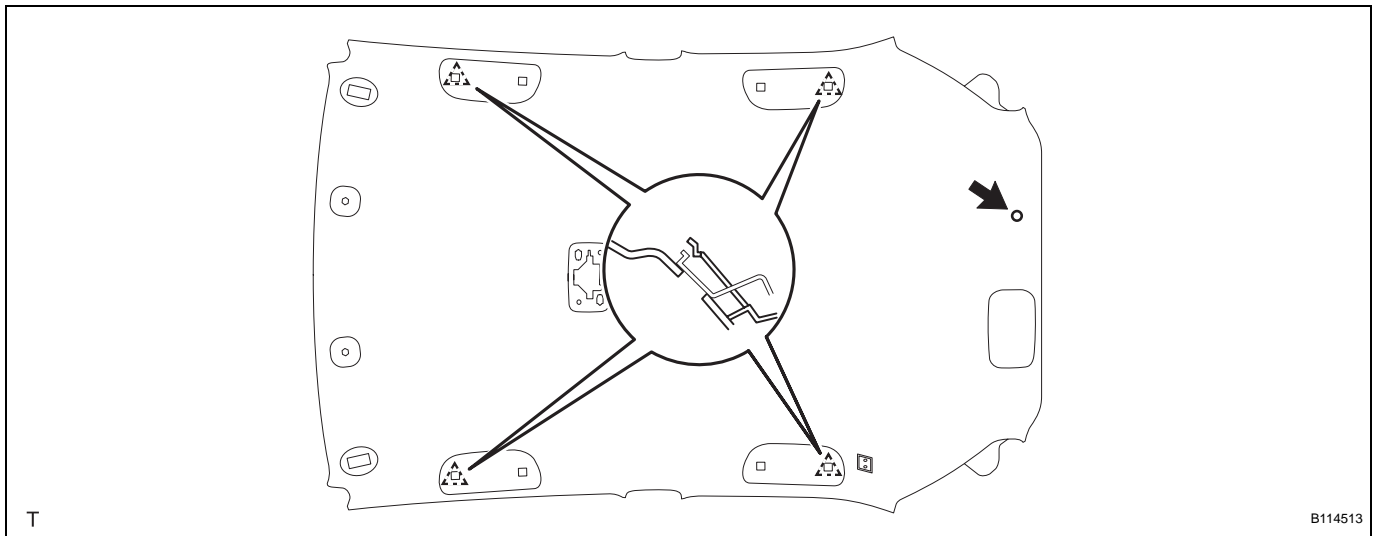
20. INSTALL ROOF HEADLINING ASSEMBLY

- (a) Pull the roof headlining back into the vehicle through the back door.
- (b) w/ Curtain Shield Airbag:
 - (1) Engage the 4 hooks and install the roof headlining.
 - (2) Install the clip.



T

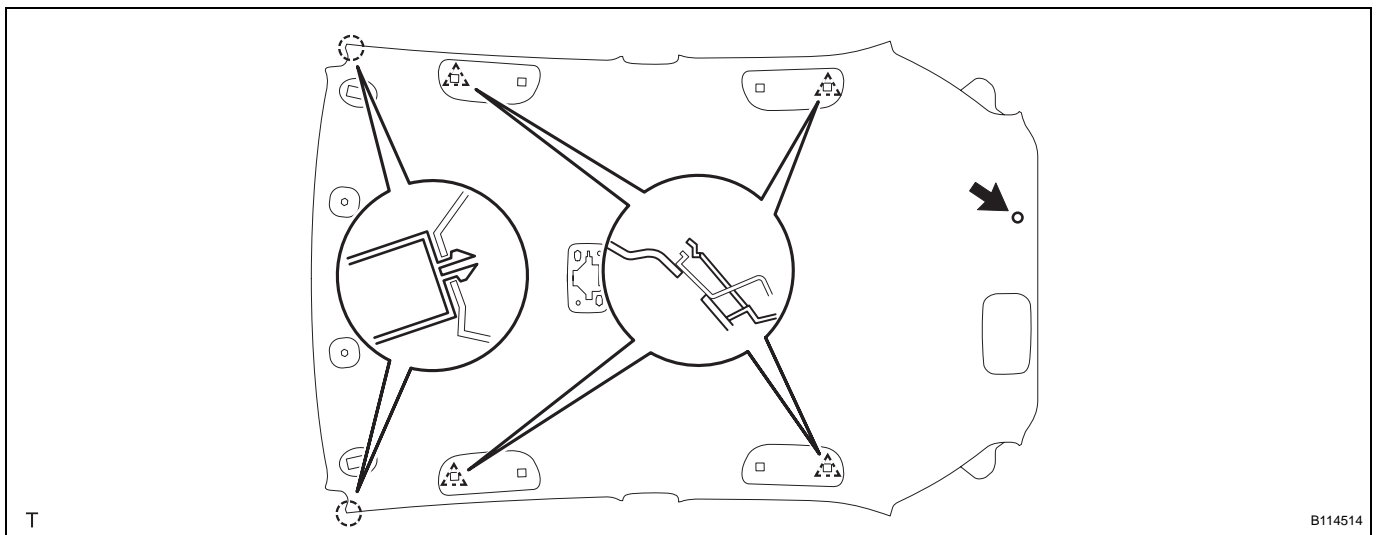
B114544



T

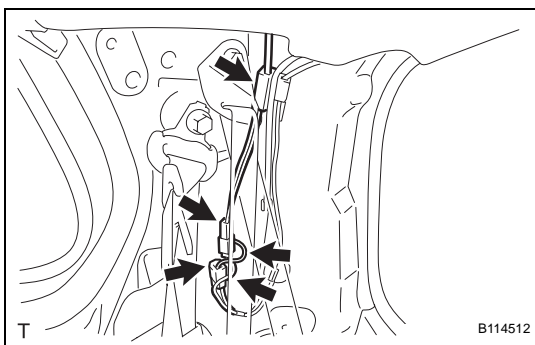
B114513

- (c) w/o Curtain Shield Airbag:
 - (1) Engage the 2 claws and the 4 hooks and install the roof headlining.
 - (2) Install the clip.

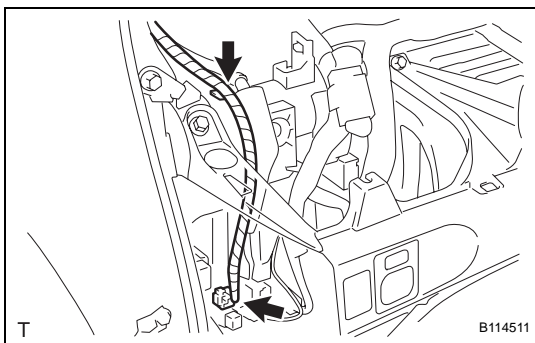


T

B114514

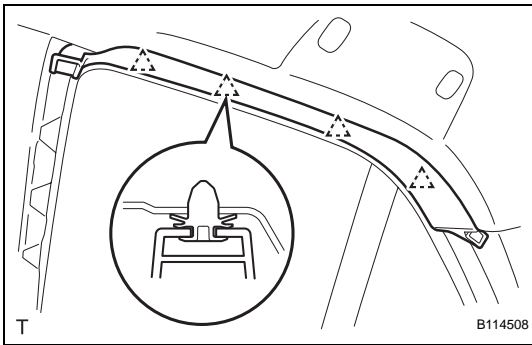


- (d) Install the 2 connectors.
- (e) Connect the 2 connectors.
- (f) Install the antenna cord onto the antenna cord clamp.



- (g) Connect the connector.
- (h) Install the wiring harness clamp.

21. **INSTALL INSTRUMENT PANEL BOX** (See page [IP-78](#))
22. **INSTALL UPPER INSTRUMENT PANEL SUB-ASSEMBLY** (See page [IP-29](#))
23. **INSTALL NO. 1 SWITCH HOLE BASE** (See page [IP-32](#))
24. **INSTALL GLOVE COMPARTMENT DOOR ASSEMBLY** (See page [IP-32](#))
25. **INSTALL COMBINATION METER ASSEMBLY** (See page [ME-148](#))
26. **INSTALL INSTRUMENT CLUSTER FINISH PANEL** (See page [ME-148](#))
27. **INSTALL INSTRUMENT PANEL FINISH PANEL END RH** (See page [ME-149](#))
28. **INSTALL INSTRUMENT PANEL FINISH PANEL END LH** (See page [ME-149](#))
29. **INSTALL FRONT PILLAR GARNISH RH** (See page [IR-71](#))
30. **INSTALL FRONT PILLAR GARNISH LH** (See page [IR-72](#))
31. **INSTALL MAP LIGHT ASSEMBLY** (See page [IR-73](#))
32. **INSTALL ROOM LIGHT ASSEMBLY** (See page [IR-74](#))
33. **INSTALL VISOR HOLDER RH** (See page [IR-75](#))
34. **INSTALL VISOR HOLDER LH** (See page [IR-75](#))
35. **INSTALL VISOR ASSEMBLY RH** (See page [IR-75](#))
36. **INSTALL VISOR ASSEMBLY LH** (See page [IR-75](#))
37. **INSTALL ASSIST GRIP SUB-ASSEMBLY** (See page [IR-75](#))
38. **INSTALL ASSIST GRIP COVER** (See page [IR-75](#))
39. **INSTALL ROOF HEADLINING SERVICE HOLE COVER (w/o Curtain Shield Airbag)** (See page [IR-76](#))
40. **INSTALL SEAT BELT ANCHOR COVER** (See page [SB-160](#))

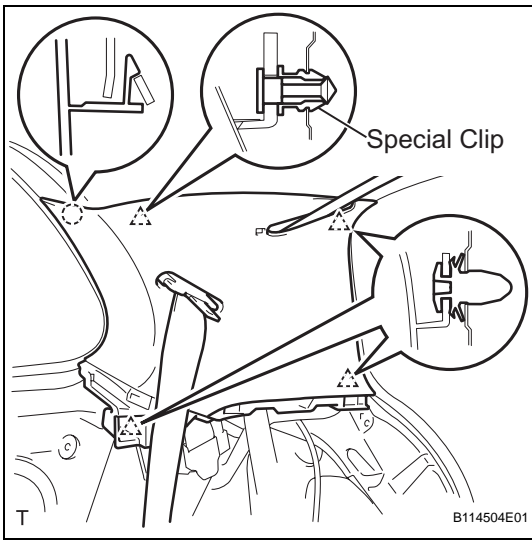
**41. INSTALL REAR ROOF SIDE RAIL GARNISH RH**

- (a) Engage the 4 clips and install the rear roof side rail garnish.

42. INSTALL REAR ROOF SIDE RAIL GARNISH LH

HINT:

Use the same procedure as for the RH side.

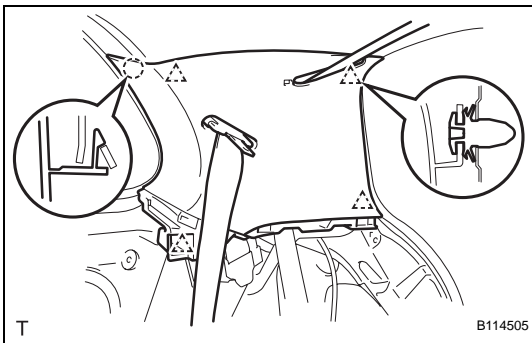
**43. INSTALL ROOF SIDE INNER GARNISH RH**

- (a) w/ Curtain Shield Airbag:

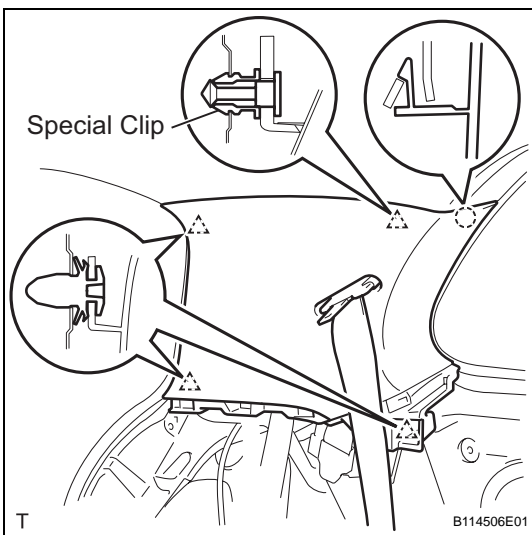
- (1) Install a new special clip onto the roof side inner garnish.
- (2) Pass the rear seat outer belt and the rear center seat outer belt through the slit in the roof side inner garnish.
- (3) Engage the 4 clips and the claw and install the roof side inner garnish.

- (b) w/o Curtain Shield Airbag:

- (1) Pass the rear seat outer belt and the rear center seat outer belt through the slit in the roof side inner garnish.
- (2) Engage the 4 clips and the claw and install the roof side inner garnish.

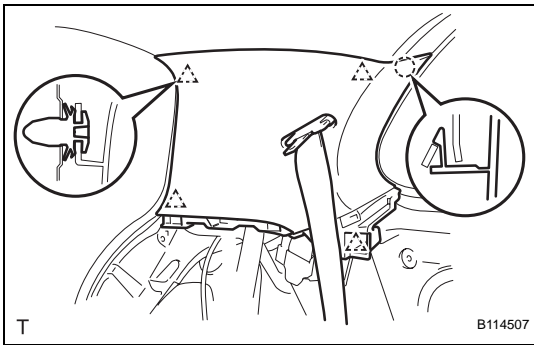


IR

**44. INSTALL ROOF SIDE INNER GARNISH LH**

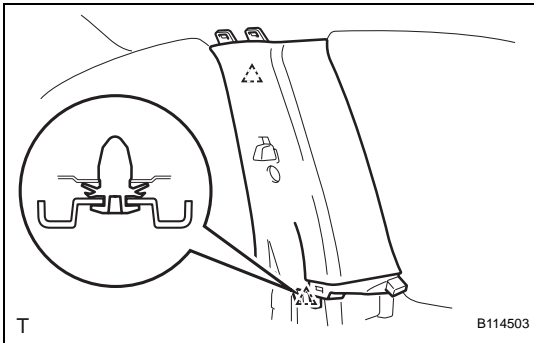
- (a) w/ Curtain Shield Airbag:

- (1) Install a new special clip onto the roof side inner garnish.
- (2) Pass the rear seat outer belt through the slit in the roof side inner garnish.
- (3) Engage the 4 clips and the claw and install the roof side inner garnish.



- (b) w/o Curtain Shield Airbag:
- (1) Pass the rear seat outer belt through the slit in the roof side inner garnish.
 - (2) Engage the 4 clips and the claw and install the roof side inner garnish.

45. INSTALL REAR CENTER SEAT OUTER BELT ASSEMBLY (See page IR-78)

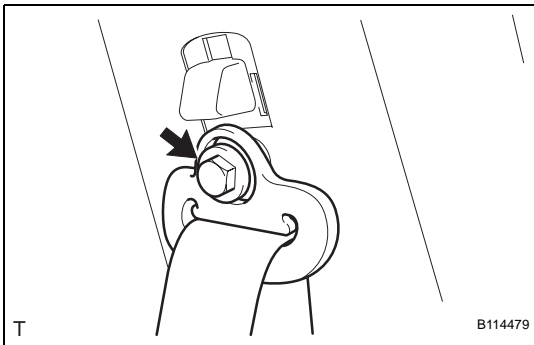


46. INSTALL CENTER PILLAR UPPER GARNISH RH

- (a) Engage the 2 clips and install the center pillar upper garnish.

47. INSTALL CENTER PILLAR UPPER GARNISH LH

- HINT:**
Use the same procedure as for the RH side.

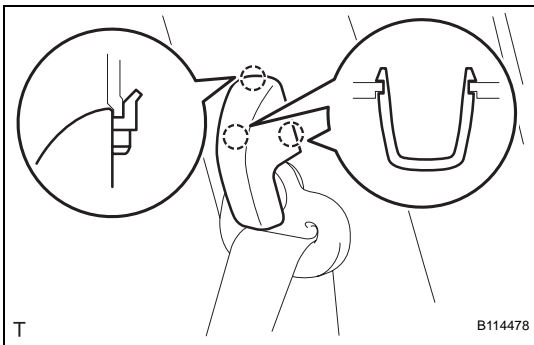


48. INSTALL FRONT SEAT OUTER BELT ASSEMBLY RH

- (a) Install the through anchor with the bolt.
Torque: 42 N*m (430 kgf*cm, 31 ft.*lbf)

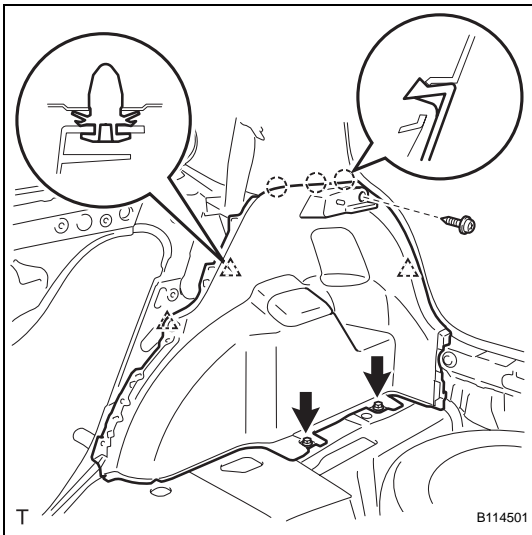
49. INSTALL FRONT SEAT OUTER BELT ASSEMBLY LH

- HINT:**
Use the same procedure as for the RH side.

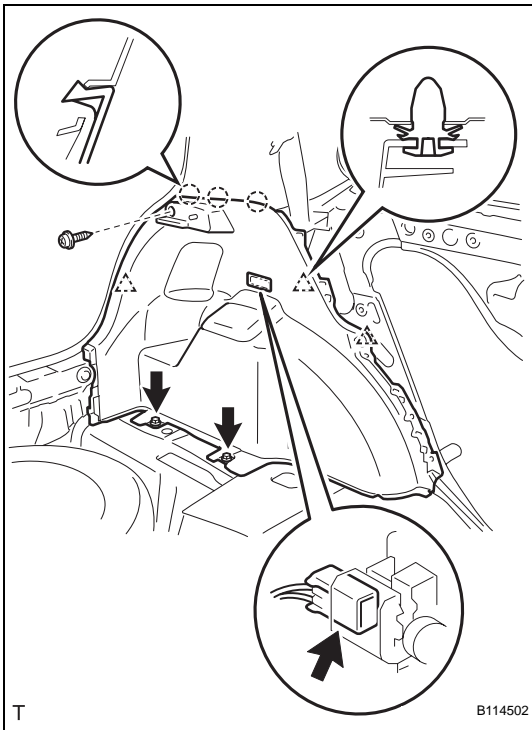


50. INSTALL SEAT BELT ANCHOR COVER CAP

- HINT:**
Use the same procedure for both sides.
- (a) Engage the 3 claws and install the seat belt anchor cover cap.

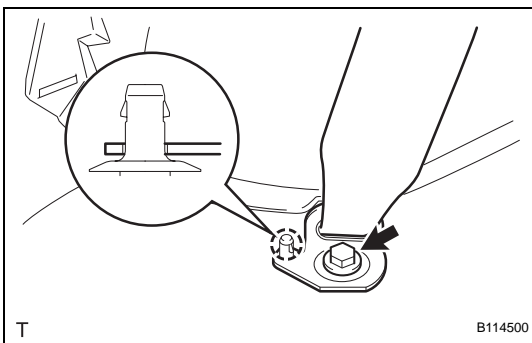
**51. INSTALL DECK TRIM SIDE PANEL ASSEMBLY RH**

- (a) Engage the 3 clips and the 3 claws and install the deck trim side panel.
- (b) Tighten the 3 screws.

**52. INSTALL DECK TRIM SIDE PANEL ASSEMBLY LH**

- (a) Connect the deck side room light connector.
- (b) Engage the 3 clips and the 3 claws and install the deck trim side panel.
- (c) Tighten the 3 screws.

IR

**53. INSTALL REAR SEAT OUTER BELT ASSEMBLY RH**

- (a) Engage the clip and install the anchor plate.
- (b) Tighten the bolt.

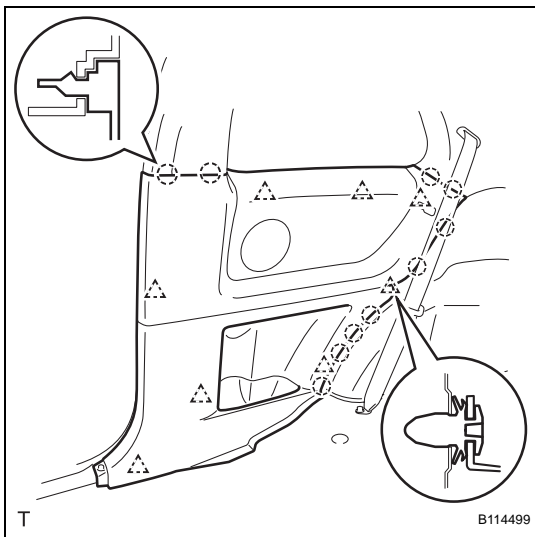
Torque: 42 N*m (430 kgf*cm, 31 ft.*lbf)

54. INSTALL REAR SEAT OUTER BELT ASSEMBLY LH

HINT:

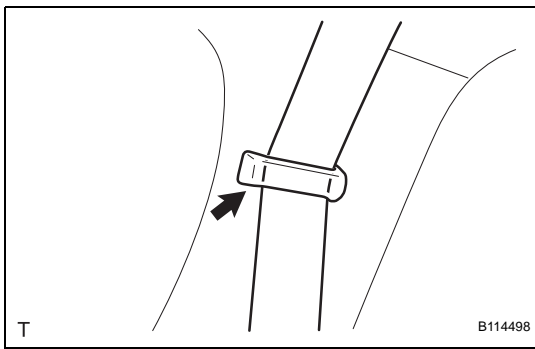
Use the same procedure as for the RH side.

55. INSTALL REAR DECK TRIM COVER (See page [IR-82](#))



56. INSTALL FRONT QUARTER TRIM PANEL ASSEMBLY RH

- (a) Engage the 8 clips, the retainer and the 10 claws and install the front quarter trim panel.

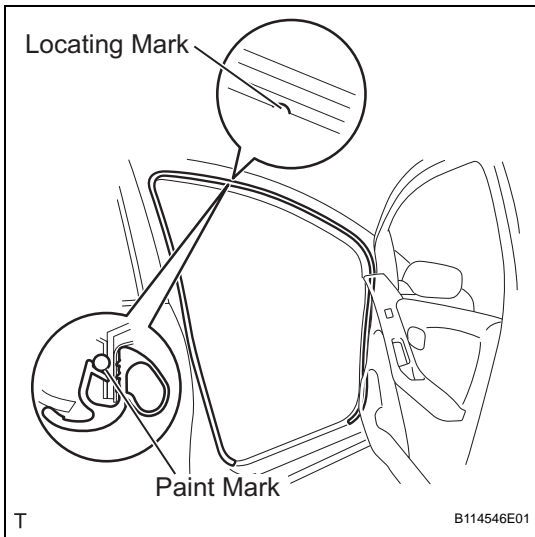


- (b) Install the belt of the rear seat outer belt onto the rear seat shoulder belt hanger.

57. INSTALL FRONT QUARTER TRIM PANEL ASSEMBLY LH

HINT:

Use the same procedure as for the RH side.



58. INSTALL FRONT DOOR OPENING TRIM WEATHERSTRIP RH

- (a) Align the location mark with the paint mark first, and install the front door opening trim weatherstrip, as shown in the illustration.

Paint mark:

Area	Color
RH side	Yellow
LH side	White

59. INSTALL FRONT DOOR OPENING TRIM WEATHERSTRIP LH

HINT:

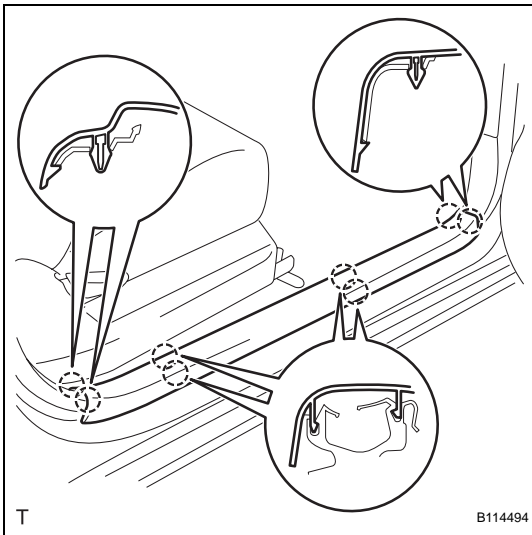
Use the same procedure as for the RH side.

60. INSTALL COWL SIDE TRIM BOARD RH (See page IR-81)

61. INSTALL COWL SIDE TRIM BOARD LH (See page IR-81)

62. INSTALL INSTRUMENT PANEL UNDER COVER SUB-ASSEMBLY RH (See page IR-81)

63. INSTALL INSTRUMENT PANEL UNDER COVER SUB-ASSEMBLY LH (See page IR-82)



64. **INSTALL FRONT DOOR SCUFF PLATE RH**
 - (a) Engage the 8 claws and install the front door scuff plate.
65. **INSTALL FRONT DOOR SCUFF PLATE LH**

HINT:
Use the same procedure as for the RH side.
66. **INSTALL REAR SEAT ASSEMBLY RH (for 60/40 Split Seat Type) (See page SE-102)**
67. **INSTALL REAR SEAT ASSEMBLY LH (for 60/40 Split Seat Type) (See page SE-84)**
68. **INSTALL NO. 1 REAR SEAT LEG COVER (for 60/40 Split Seat Type)**
 - (a) for RH Side:
 - (1) Install the No. 1 rear seat leg cover (See page SE-103).
 - (b) for LH Side:
 - (1) Install the No. 1 rear seat leg cover (See page SE-85).
69. **INSTALL NO. 2 REAR SEAT LEG COVER (for 60/40 Split Seat Type) (See page SE-85)**
70. **INSTALL REAR SEATBACK ASSEMBLY (for Hold Down Seat Type) (See page SE-122)**
71. **INSTALL REAR SEAT CUSHION COVER PAD SUB-ASSEMBLY (for Hold Down Seat Type) (See page SE-123)**
72. **INSTALL DECK FLOOR BOX RH (See page IR-83)**
73. **INSTALL DECK FLOOR BOX LH (See page IR-83)**
74. **INSTALL DECK BOARD SUB-ASSEMBLY (See page IR-83)**
75. **INSTALL PACKAGE TRAY TRIM PANEL ASSEMBLY (See page IR-83)**
76. **CONNECT CABLE TO NEGATIVE BATTERY TERMINAL**

Torque: 5.4 N*m (55 kgf*cm, 48 in.*lbf)
77. **INSPECT SRS WARNING LIGHT**

(See page RS-31)